

## AXIS P3275-V Dome Camera

### Indoor 2 MP AI-powered dome

This AI-powered camera delivers excellent image quality in 2 MP. Built on ARTPEC-9, it offers accelerated performance to run impressive analytics applications on the edge. It comes with AXIS Object Analytics to detect, classify, track, and count humans. In addition, AXIS Live Privacy Shield makes it easy to remotely monitor activities while protecting privacy. This robust, IK10- and NEMA 4X-rated camera is both vandal- and impact-resistant. Furthermore, Axis Edge Vault, a hardware-based cybersecurity platform, safeguards the device and protects sensitive information from unauthorized access.

- > [Excellent image quality in 2 MP](#)
- > [Next-generation AI-powered analytics](#)
- > [Lightfinder 2.0 and Forensic WDR](#)
- > [Vandal- and impact-resistant](#)
- > [Built-in cybersecurity with Axis Edge Vault](#)



# AXIS P3275-V Dome Camera

## Camera

### Image sensor

1/2.8" progressive scan RGB CMOS  
Pixel size 2.9 µm

### Lens

Varifocal, 3.4–9.8 mm, F1.4–2.7  
Horizontal field of view: 100°–32°  
Vertical field of view: 52°–18°  
Minimum focus distance: 1.0 m (3.28 ft)  
Remote zoom and focus, P-Iris control

### Day and night

Automatic IR-cut filter

### Minimum illumination

Color: 0.08 lux at 50 IRE, F1.4  
B/W: 0.02 lux at 50 IRE, F1.4

### Shutter speed

1/37000 s to 2 s

### Camera adjustment

Pan ±190°, tilt -45 to +80°, rotation ±95°

## System on chip (SoC)

### Model

ARTPEC-9

### Memory

2 GB RAM, 8 GB Flash

### Compute capabilities

Deep learning processing unit (DLPU)

## Video

### Video compression

H.264 (MPEG-4 Part 10/AVC) Baseline, Main and High Profiles  
H.265 (MPEG-H Part 2/HEVC) Main Profile  
AV1  
Motion JPEG

### Resolution

16:9: 1920x1080  
16:10: 1280x800  
4:3: 1440x1080

### Frame rate

Up to 50/60 fps (50/60 Hz) in all resolutions

### Video streaming

Up to 20 unique and configurable video streams<sup>1</sup>  
Axis Zipstream technology in H.264, H.265 and AV1  
Controllable frame rate and bandwidth  
VBR/ABR/MBR H.264/H.265/AV1  
Low latency mode  
Video streaming indicator

### Signal-to-noise ratio

>55 dB

### WDR

Forensic WDR: Up to 120 dB depending on scene

### Multi-view streaming

Up to 7 individually cropped out view areas

### Noise reduction

Spatial filter (2D noise reduction)  
Temporal filter (3D noise reduction)

### Image settings

Saturation, contrast, brightness, sharpness, white balance, day/night threshold, local contrast, tone mapping, exposure mode, exposure zones, defog, barrel distortion correction, compression, rotation: 0°, 90°, 180°, 270° including corridor format, mirroring, dynamic text and image overlay, overlay widget, privacy masks, target aperture

### Image processing

Axis Zipstream, Forensic WDR, Lightfinder 2.0

### Pan/Tilt/Zoom

Digital PTZ, preset positions  
Guard tour, control queue

1. We recommend a maximum of 3 unique video streams per camera or channel, for optimized user experience, network bandwidth, and storage utilization. A unique video stream can be served to many video clients in the network using multicast or unicast transport method via built-in stream reuse functionality.

## Audio

### Features

Automatic gain control  
10-band graphic equalizer for audio input  
Speaker pairing

---

### Streaming

Configurable duplex:  
One-way (simplex, half duplex)  
Two-way (half duplex, full duplex) through edge-to-edge technology or portcast

---

### Input

Input through portcast technology  
Input for external unbalanced microphone, optional 5 V microphone power  
Digital input, optional 12 V ring power  
Unbalanced line input

---

### Output

Output through speaker pairing or portcast technology

---

### Encoding

24bit LPCM, AAC-LC 8/16/32/48 kHz, G.711 PCM 8 kHz, G.726 ADPCM 8 kHz, Opus 8/16/48 kHz  
Configurable bitrate

---

## Network

### Network protocols

IPv4, IPv6 USGv6, ICMPv4/ICMPv6, HTTP, HTTPS<sup>2</sup>, HTTP/2, TLS<sup>2</sup>, QoS Layer 3 DiffServ, FTP, SFTP, CIFS/SMB, SMTP, mDNS (Bonjour), UPnP<sup>®</sup>, SNMP v1/v2c/v3 (MIB-II), DNS/DNSv6, DDNS, NTP, NTS, RTSP, RTP, SRTP/RTSPS, TCP, UDP, IGMPv1/v2/v3, RTCP, ICMP, DHCPv4/v6, ARP, SSH, LLDP, CDP, MQTT v3.1.1, Secure syslog (RFC 3164/5424, UDP/TCP/TLS), Link-Local address (ZeroConf)

## System integration

### Application Programming Interface

Open API for software integration, including VAPIX<sup>®</sup>, metadata and AXIS Camera Application Platform (ACAP); specifications at [axis.com/developer-community](https://axis.com/developer-community).

One-click cloud connection

ONVIF<sup>®</sup> Profile G, ONVIF<sup>®</sup> Profile M, ONVIF<sup>®</sup> Profile S, and ONVIF<sup>®</sup> Profile T, specifications at [onvif.org](https://onvif.org)

Support for Voice over IP (VoIP) through the Session Initiation Protocol (SIP), using peer-to-peer (P2P) or Private Branch Exchange (PBX).

---

### Video management systems

Compatible with AXIS Camera Station Edge, AXIS Camera Station Pro, AXIS Camera Station 5, and video management software from Axis' partners available at [axis.com/vms](https://axis.com/vms).

---

### Onscreen controls

Autofocus  
Day/night shift  
Defog  
Wide dynamic range  
Video streaming indicator  
Privacy masks  
Media clip  
Heater

---

### Edge-to-edge

Speaker pairing

---

### Event conditions

Application  
Audio: audio detection  
Device status: above/below/within operating temperature, casing open, fan failure, IP address blocked/removed, live stream active, network lost, new IP address, ring power overcurrent protection, shock detected, system ready  
Digital audio: digital signal contains Axis metadata, digital signal has invalid sample rate, digital signal missing, digital signal okay  
Edge storage: recording ongoing, storage disruption, storage health issues detected  
I/O: digital input is active, digital output is active, manual trigger, virtual input is active  
MQTT: MQTT client connected, stateless  
Scheduled and recurring: schedule  
Video: average bitrate degradation, day-night mode, live stream open, tampering

---

2. This product includes software developed by the OpenSSL Project for use in the OpenSSL Toolkit. ([openssl.org](https://openssl.org)), and cryptographic software written by Eric Young ([eay@cryptsoft.com](mailto:eay@cryptsoft.com)).

## Event actions

Day-night mode  
Defog: Set Defog mode, set Defog mode while the rule is active  
I/O: toggle I/O once, toggle I/O while the rule is active  
LEDs: flash status LED, flash status LED while the rule is active  
MQTT: send MQTT publish message  
Notification: HTTP, HTTPS, TCP and email  
Overlay text  
Recordings: record audio, record audio while the rule is active  
Security: erase configuration  
SNMP trap messages: send, send while the rule is active  
Images or video clips: FTP, SFTP, HTTP, HTTPS, network share and email  
WDR mode

## Built-in installation aids

Pixel counter, remote back focus, remote zoom and focus, straighten image, level grid

## Analytics

### Applications

#### Included

AXIS Object Analytics, AXIS Image Health Analytics, AXIS Scene Metadata, AXIS Live Privacy Shield<sup>3</sup>, AXIS Video Motion Detection, audio detection

#### Supported

AXIS Perimeter Defender, AXIS License Plate Verifier  
Support for AXIS Camera Application Platform enabling installation of third-party applications, see [axis.com/acap](http://axis.com/acap)

### AXIS Object Analytics

**Object classes:** humans, vehicles (types: cars, buses, trucks, bikes, other)

**Scenarios:** line crossing, object in area, time in area, crossline counting, occupancy in area, tailgating detection, PPE monitoring<sup>BETA</sup>, motion in area, motion line crossing

Up to 10 scenarios

**Other features:** triggered objects visualized with trajectories, color-coded bounding boxes and tables  
Polygon include/exclude areas

Perspective configuration

ONVIF Motion Alarm event

### AXIS Image Health Analytics

#### Detection settings:

Tampering: blocked image, redirected image

Image degradation: blurred image, underexposed image

**Other features:** sensitivity, validation period

### AXIS Scene Metadata

**Object classes:** humans, faces, vehicles (types: cars, buses, trucks, bikes), license plates

**Object attributes:** vehicle color, upper/lower clothing color, bag, confidence, position

### AXIS Live Privacy Shield

**Object classes:** Humans, (entire body or face only), license plates, backgrounds

**Masking type:** Pixelated with adjustable block size, color (solid), masking inclusion and exclusion areas

**Other features:** Dynamic masking up to 10 fps.

Supports multiple dynamically masked streams, and one unmasked stream with full frame rate, simultaneously.

## Approvals

### Product markings

UL/cUL, CE, KC, EAC, VCCI, RCM, ICES, UKCA, FCC

### Supply chain

TAA compliant

### EMC

CISPR 35, CISPR 32 Class A, EN 55035, EN 55032 Class A, EN 50121-4, EN 61000-6-1, EN 61000-6-2

**Australia/New Zealand:** RCM AS/NZS CISPR 32 Class A

**Canada:** ICES-3(A)/NMB-3(A)

**Japan:** VCCI Class A

**Korea:** KS C 9835, KS C 9832 Class A

**USA:** FCC Part 15 Subpart B Class A

**Railway:** IEC 62236-4

### Safety

CAN/CSA C22.2 No. 62368-1 ed. 3, IEC/EN/UL 62368-1 ed. 3, IEC/EN 62471 risk group exempt

### Environment

IEC 60068-2-1, IEC 60068-2-2, IEC 60068-2-6, IEC 60068-2-14, IEC 60068-2-27, IEC/EN 60529 IP54, IEC/EN 62262 IK10

### Network

NIST SP500-267, IPv6 USGv6

### Cybersecurity

ETSI EN 303 645, BSI IT Security Label, FIPS 140

## Cybersecurity

### Edge security

**Software:** Signed OS, brute force delay protection, digest authentication and OAuth 2.0 RFC6749 Client Credential Flow/OpenID Authorization Code Flow for centralized ADFS account management, password protection, Axis Cryptographic Module (FIPS 140-2 level 1)

**Hardware:** Axis Edge Vault cybersecurity platform  
Secure keystore: Secure element (CC EAL 6+, FIPS 140-3 Level 3), system-on-chip security (TEE)  
Axis device ID, signed video, secure boot, encrypted filesystem (AES-XTS-Plain64 256bit)

### Network security

IEEE 802.1X (EAP-TLS, PEAP-MSCHAPv2)<sup>4</sup>, IEEE 802.1AE (MACsec PSK/EAP-TLS), IEEE 802.1AR, HTTPS/HSTS<sup>4</sup>, TLS v1.2/v1.3<sup>4</sup>, Network Time Security (NTS), X.509 Certificate PKI, host-based firewall

### Documentation

*AXIS OS Hardening Guide*

*Axis Vulnerability Management Policy*

*Axis Security Development Model*

AXIS OS Software Bill of Material (SBOM)

To download documents, go to [axis.com/support/cybersecurity/resources](https://axis.com/support/cybersecurity/resources)

To read more about Axis cybersecurity support, go to [axis.com/cybersecurity](https://axis.com/cybersecurity)

## General

### Casing

IP54- and IK10-rated

Polycarbonate hard-coated dome

Plastic casing

Color: white NCS S 1002-B

For repainting instructions, go to the product's support page. For information about the impact on warranty, go to [axis.com/warranty-implication-when-repainting](https://axis.com/warranty-implication-when-repainting).

This product can be repainted.

### Mounting

Mounting bracket with junction box holes (double-gang, single-gang, and 4" octagon)

### Power

Power over Ethernet (PoE) IEEE 802.3af/802.3at Type 1 Class 3, max 10 W, typical (heater off) 3.4 W

Features: Dynamic power mode, power meter

### Environmental sensors

Environmental sensors through portcast technology accessories. For more information, see *Optional accessories*.

### I/O functionality

I/O: Terminal block for one configurable supervised input/digital output (12 V DC output, max load 25 mA)  
I/O connectivity through portcast technology accessories. For more information, see *Optional accessories*.

### Connectors

Network: RJ45 10BASE-T/100BASE-TX PoE

I/O: 4-pin 2.5 mm terminal block for 1 alarm input and 1 output

Audio: 3.5 mm mic/line in

### Storage

Support for microSD/microSDHC/microSDXC card  
Support for SD card encryption (AES-XTS-Plain64 256bit)

Recording to network-attached storage (NAS)

For SD card and NAS recommendations see [axis.com](https://axis.com)

### Operating conditions

Temperature: 0 °C to 50 °C (32 °F to 122 °F)

Humidity: 10–85% RH (non-condensing)

### Storage conditions

Temperature: -40 °C to 65 °C (-40 °F to 149 °F)

Humidity: 5–95% RH (non-condensing)

### Dimensions

For the overall product dimensions, see the dimension drawing in this datasheet.

### Weight

800 g (1.8 lb)

### Box content

Camera, installation guide, terminal block connector, connector guard, cable gasket, owner authentication key

### System tools

AXIS Site Designer, AXIS Device Manager, product selector, accessory selector, lens calculator

Available at [axis.com](https://axis.com)

4. This product includes software developed by the OpenSSL Project for use in the OpenSSL Toolkit. ([openssl.org](https://openssl.org)), and cryptographic software written by Eric Young ([eay@cryptsoft.com](mailto:eay@cryptsoft.com)).

## Languages

English, German, French, Spanish, Italian, Russian, Simplified Chinese, Japanese, Korean, Portuguese, Polish, Traditional Chinese, Dutch, Czech, Swedish, Finnish, Turkish, Thai, Vietnamese

---

## Warranty

5-year warranty, see [axis.com/warranty](https://axis.com/warranty)

---

## Part numbers

Available at [axis.com/products/axis-p3275-v#part-numbers](https://axis.com/products/axis-p3275-v#part-numbers)

---

## Optional accessories

### Portcast

AXIS T61 MkII Audio and I/O Interface Series  
AXIS D6210 Air Quality Sensor

---

### Installation

AXIS T8415 Wireless Installation Tool

---

### Mounting

AXIS TP3205 Recessed mount, AXIS T94K01D Pendant Kit

---

### Storage

AXIS Surveillance Cards

---

For more accessories, go to [axis.com/products/axis-p3275-v#compatible-products](https://axis.com/products/axis-p3275-v#compatible-products)

## Sustainability

### Substance control

PVC free, BFR/CFR free in accordance with JEDEC/ECA Standard JS709

RoHS in accordance with EU RoHS Directive 2011/65/EU and 2015/863, and standard EN IEC 63000:2018

REACH in accordance with (EC) No 1907/2006. For SCIP UUID, see [echa.europa.eu](https://echa.europa.eu)

---

### Materials

Renewable carbon-based plastic content: 41% (bio-based: 39%, carbon capture based: 2%)

Screened for conflict minerals in accordance with OECD guidelines

To read more about sustainability at Axis, go to [axis.com/about-axis/sustainability](https://axis.com/about-axis/sustainability)

---

### Environmental responsibility

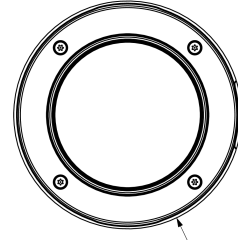
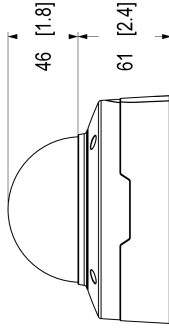
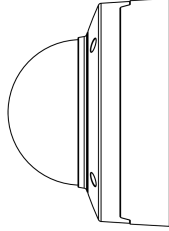
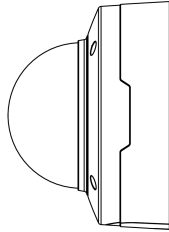
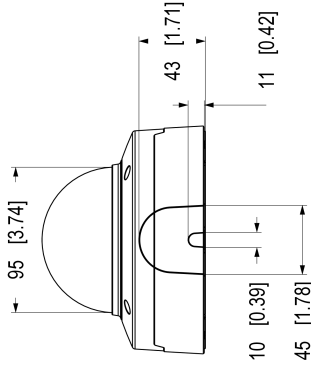
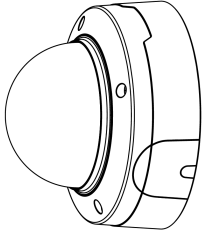
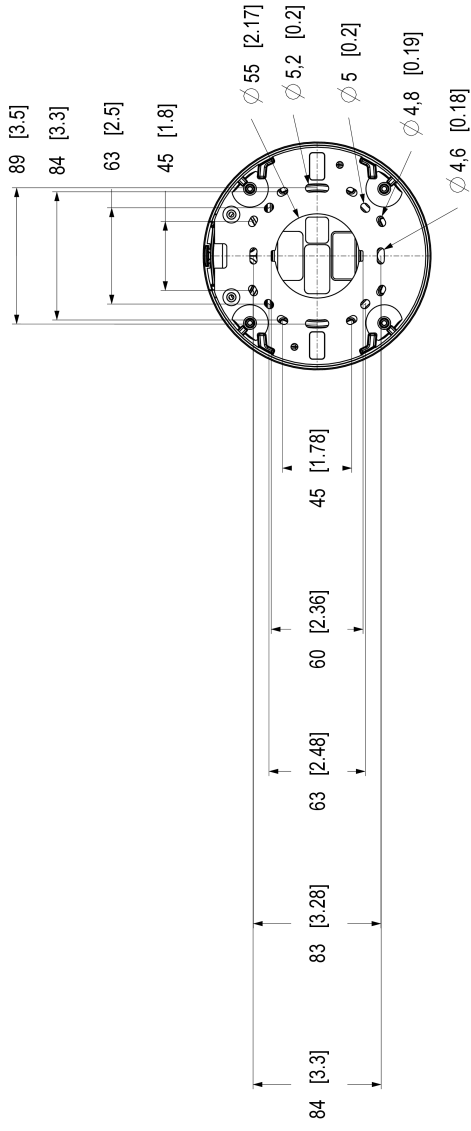
[axis.com/environmental-responsibility](https://axis.com/environmental-responsibility)

Axis Communications is a signatory of the UN Global Compact, read more at [unglobalcompact.org](https://unglobalcompact.org)

## Detect, Observe, Recognize, Identify (DORI)

	DORI definition	Distance (wide)	Distance (tele)
Detect	25 px/m (8 px/ft)	48 m (157 ft)	135 m (443 ft)
Observe	63 px/m (19 px/ft)	19 m (62 ft)	54 m (177 ft)
Recognize	125 px/m (38 px/ft)	9.6 m (31.5 ft)	27 m (89 ft)
Identify	250 px/m (76 px/ft)	4.8 m (15.7 ft)	14 m (46 ft)

The DORI values are calculated using pixel densities for different use cases as recommended by the EN-62676-4 standard. The calculations use the center of the image as the reference point and consider lens distortion. The possibility to recognize or identify a person or object depends on factors such as object motion, video compression, lighting conditions, and camera focus. Use margins when planning. The pixel density varies across the image, and the calculated values can differ from the distances in the real world.



## Highlighted capabilities

### Axis Edge Vault

Axis Edge Vault is the hardware-based cybersecurity platform that safeguards the Axis device. It forms the foundation that all secure operations depend on and offer features to protect the device's identity, safeguard its integrity and protect sensitive information from unauthorized access. For instance, **secure boot** ensures that a device can boot only with **signed OS**, which prevents physical supply chain tampering. With signed OS, the device is also able to validate new device software before accepting to install it. And the **secure keystore** is the critical building-block for protecting cryptographic information used for secure communication (IEEE 802.1X, HTTPS, Axis device ID, access control keys etc.) against malicious extraction in the event of a security breach. The secure keystore and secure connections are provided through a Common Criteria or FIPS 140 certified hardware-based cryptographic computing module.

Furthermore, signed video ensures that video evidence can be verified as untampered. Each camera uses its unique video signing key, which is securely stored in the secure keystore, to add a signature into the video stream allowing video to be traced back to the Axis camera from where it originated.

To read more about Axis Edge Vault, go to [axis.com/solutions/edge-vault](https://axis.com/solutions/edge-vault).

### AXIS Live Privacy Shield

Remotely monitor activities both indoors and outdoors while safeguarding privacy in real-time.

With AI-based dynamic masking you can choose what to mask or blur while addressing rules and regulations protecting privacy and personal data. The application enables masking of moving and still objects such as humans, license plates, or backgrounds. The application works in real-time and on both live and recorded video streams.

### AXIS Object Analytics

AXIS Object Analytics is a preinstalled, multifeatured video analytics that detects and classifies humans, vehicles, and types of vehicles. Thanks to AI-based algorithms and behavioral conditions, it analyzes the scene and their spatial behavior within – all tailored to your specific needs. Scalable and edge-based, it requires minimum effort to set up and supports various scenarios running simultaneously.

### Forensic WDR

Axis cameras with wide dynamic range (WDR) technology make the difference between seeing important forensic details clearly and seeing nothing but

a blur in challenging light conditions. The difference between the darkest and the brightest spots can spell trouble for image usability and clarity. Forensic WDR effectively reduces visible noise and artifacts to deliver video tuned for maximal forensic usability.