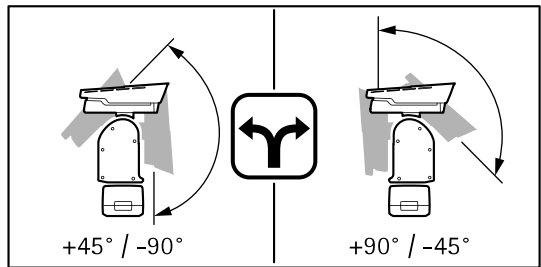
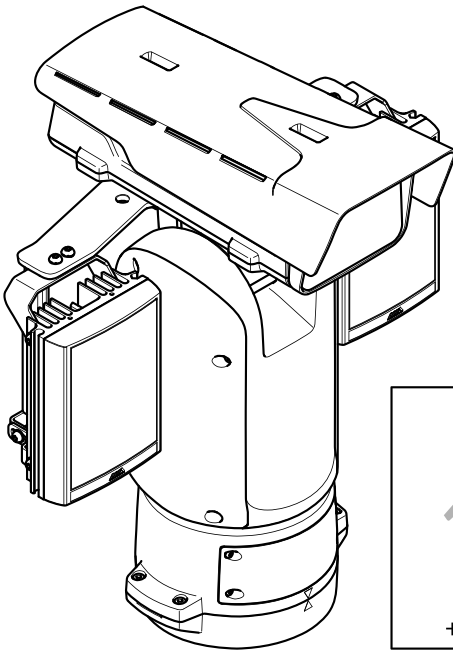


AXIS Q8685-LE PTZ Network Camera



Installation Guide

English

EN

Français

FR

Deutsch

DE

Italiano

IT

Español

ES

日本語

JA

中文: 简体中文

ZH

AXIS Q8685-LE PTZ Network Camera

Read this first	10
Legal considerations	10
Liability	10
Intellectual property rights	10
Equipment modifications	10
Trademark acknowledgements	10
Regulatory information	10
Disposal and recycling	11
Contact information	11
Warranty information	12
Support	12
Learn more!	12
Safety information	13
Hazard levels	13
Other message levels	13
Safety instructions	14
Transportation	14
Battery	15
Package contents	17
Hardware overview	18
How to install the product	21
Main installation tasks	21
Mount the base unit	21
Route the cables	23
Install the network link	28
Connect the cables	29
Install the illuminator kit (default installation)	31
Inverted installation	37
Install the illuminator kit (inverted installation)	40
How to access the product	46
Set the inverted configuration	46
Enable the illuminator kit	47
Install an SD card (optional)	48
Reset to factory default settings	49
Further information	50
Optional accessories	50
Warranty information	50
Specifications	51
SD card slot	51
Connectors	51
Cables	54
Operating conditions	55
Power consumption	55
Informations sur la sécurité	57
Niveaux de risques	57
Autres niveaux de message	57
Consignes de sécurité	58

Transport	59
Batterie	59
Contenu de l'emballage	61
Présentation du matériel	62
Comment installer le produit	65
Principales tâches d'installation	65
Montage de l'unité de base	65
Acheminement des câbles	67
Installation de la liaison réseau	72
Branchez les câbles	73
Installer le kit du projecteur (installation par défaut)	75
Installation inversée	81
Installer le kit du projecteur (installation inversée)	84
Comment accéder au produit	90
Définir la configuration inversée	90
Activer le kit d'éclairage	91
Installation d'une carte SD (facultatif)	92
Réinitialiser les paramètres par défaut	93
Informations supplémentaires	94
Accessoires en option	94
Informations sur la garantie	94
Informations sur la sécurité	95
Niveaux de risques	95
Autres niveaux de message	95
Consignes de sécurité	96
Transport	97
Batterie	97
Contenu de l'emballage	99
Présentation du matériel	100
Comment installer le produit	103
Principales tâches d'installation	103
Montage de l'unité de base	103
Acheminement des câbles	105
Installation de la liaison réseau	110
Branchez les câbles	111
Installer le kit du projecteur (installation par défaut)	113
Installation inversée	119
Installer le kit du projecteur (installation inversée)	122
Comment accéder au produit	128
Définir la configuration inversée	128
Activer le kit d'éclairage	129
Installation d'une carte SD (facultatif)	130
Réinitialiser les paramètres par défaut	131
Informations supplémentaires	132
Accessoires en option	132
Informations sur la garantie	132
Specifications	133

AXIS Q8685-LE PTZ Network Camera

Emplacement pour carte SD	133
Connecteurs	133
Câbles	137
Conditions de fonctionnement	137
Consommation d'énergie	137
Sicherheitsinformationen	139
Gefährdungsstufen	139
Andere Meldeebenen	139
Sicherheitsanweisungen	140
Transport	141
Batterie	141
Lieferumfang	143
Übersicht über die Hardware	144
Installieren des Produkts	147
Grundlegende Installationsschritte	147
Montieren der Gerätebasis	148
Die Kabel verlegen	150
Einrichten der Netzwerkverbindung	154
Anschließen der Kabel	155
Installieren des Strahlersatzes (Standardinstallation)	157
Vertikal umgekehrter Einbau	163
Den Strahlersatz installieren (vertikal umgekehrter Einbau)	166
Zugriff auf das Produkt	172
Die umgekehrte Kameraausrichtung konfigurieren	172
Aktivieren des Strahlersatzes	173
Installieren einer SD-Speicherkarte (optional)	174
Zurücksetzen auf Werkseinstellungen	175
Weitere Informationen	176
Optionales Zubehör	176
Gewährleistungsinformationen	176
Technische Daten	177
Einschub für SD-Speicherkarte	177
Anschlüsse	177
Kabel	181
Betriebsbedingungen	181
Leistungsaufnahme	181
Informazioni di sicurezza	183
Livelli di pericolo	183
Altri livelli di messaggio	183
Informazioni di sicurezza	184
Trasporto	184
Batteria	185
Contenuto della confezione	187
Panoramica dell'hardware	188
Come installare il dispositivo	191
Attività d'installazione principali	191
Montaggio dell'unità base	191

Instalazione dei cavi	193
Instalazione del collegamento di rete	198
Collegamento dei cavi	199
Instalazione del kit dell'illuminatore (installazione predefinita)	201
Instalazione invertita	207
Installare il kit dell'illuminatore (installazione invertita)	210
Modalità di accesso al dispositivo	216
Impostazione della configurazione invertita	216
Abilitazione del kit dell'illuminatore	217
Instalazione di una scheda di memoria (opzionale)	218
Ripristino delle impostazioni predefinite di fabbrica	219
Ulteriori Informazioni	220
Accessori opzionali	220
Informazioni sulla garanzia	220
Specifiche	221
Slot per schede di memoria	221
Connettori	221
Cavi	225
Condizioni di funzionamento	225
Consumo energetico	225
Información de seguridad	227
Niveles de peligro	227
Otros niveles de mensaje	227
Instrucciones de seguridad	228
Transporte	228
Batería	229
Contenido del paquete	231
Información general del hardware	232
Cómo instalar el producto	235
Principales tareas de instalación	235
Montaje de la unidad base	235
Guía de los cables	237
Instalación del enlace de red	242
Conexión de los cables	243
Instalar el kit de iluminador (instalación predeterminada)	245
Instalación invertida	251
Instalar el kit de iluminador (instalación invertida)	254
Cómo acceder al producto	260
Establecer la configuración invertida	260
Activar el kit de iluminador	261
Instalación de una tarjeta SD (opcional)	262
Restablecimiento a la configuración predeterminada de fábrica	263
Más información	264
Accesorios opcionales	264
Información de garantía	264
Especificaciones	265
Ranura para tarjetas SD	265

Conectores	265
Cables	269
Condiciones de funcionamiento	269
Consumo de energía	269
安全情報	271
危険レベル	271
その他のメッセージレベル	271
安全手順	272
輸送	272
バッテリー	273
パッケージの内容	275
ハードウェアの概要	276
製品の取り付け方法	279
主な設置タスク	279
ベースユニットの取り付け	279
ケーブルの配線	281
ネットワークリンクのインストール	286
ケーブルの接続	287
イルミネーターキットの設置 (デフォルト設置)	289
逆向き設置	295
イルミネーターキットの設置 (逆向き設置)	298
製品のアクセス方法	304
逆向き設定で取り付ける	304
イルミネーターキットを有効にする	305
SDカードの装着 (オプション)	306
工場出荷時の設定にリセットする	307
関連情報	308
オプションアクセサリ	308
保証情報	308
仕様	309
SDカードスロット	309
コネクタ	309
ケーブル	313
動作条件	313
消費電力	313
安全情報	315
危険等級	315
其他消息等級	315
安全説明	316
运输	316
電池	316
包装内容	319
硬件概観	320
如何安装产品	323
主要安装任务	323
安装底座单元	323
布线	325

安装网络链路	330
连接电缆	331
安装照明器套件 (默认安装)	333
反向安装	339
按照照明器套件 (反射安装)	342
如何访问产品	348
设定反向配置	348
开启照明器套件	349
安装SD卡 (可选)	350
重置为出厂默认设置	351
更多信息	352
可选附件	352
质保信息	352
规格	353
SD卡插槽	353
连接器	353
电缆	356
工作条件	356
功耗	357

Read this first

Read through this Installation Guide carefully before installing the product. Keep the Installation Guide for future reference.

Legal considerations

This product includes the following licenses:

- one (1) H.264 decoder license

To purchase further licenses, contact your reseller.

Liability

Every care has been taken in the preparation of this document. Please inform your local Axis office of any inaccuracies or omissions. Axis Communications AB cannot be held responsible for any technical or typographical errors and reserves the right to make changes to the product and manuals without prior notice. Axis Communications AB makes no warranty of any kind with regard to the material contained within this document, including, but not limited to, the implied warranties of merchantability and fitness for a particular purpose. Axis Communications AB shall not be liable nor responsible for incidental or consequential damages in connection with the furnishing, performance or use of this material. This product is only to be used for its intended purpose.

Intellectual property rights

Axis AB has intellectual property rights relating to technology embodied in the product described in this document. In particular, and without limitation, these intellectual property rights may include one or more of the patents listed at axis.com/patent and one or more additional patents or pending patent applications in the US and other countries.

This product contains licensed third-party software. See the menu item "About" in the product's user interface for more information.

This product contains source code copyright Apple Computer, Inc., under the terms of Apple Public Source License 2.0 (see opensource.apple.com/apsl). The source code is available from developer.apple.com/bonjour/.


Equipment modifications

This equipment must be installed and used in strict accordance with the instructions given in the user documentation. This equipment contains no user-serviceable components. Unauthorized equipment changes or modifications will invalidate all applicable regulatory certifications and approvals.

Trademark acknowledgements

AXIS COMMUNICATIONS, AXIS, ARTPEC and VAPIX are registered trademarks of Axis AB in various jurisdictions. All other trademarks are the property of their respective owners.

Apple, Apache, Bonjour, Ethernet, Internet Explorer, Linux, Microsoft, Mozilla, Real, SMPTE, QuickTime, UNIX, Windows, and WWW are registered trademarks of the respective holders. Java and all Java-based trademarks and logos are trademarks or registered trademarks of Oracle and/or its affiliates. The UPnP Word Mark and UPnP Logo are trademarks of Open Connectivity Foundation, Inc. in the United States or other countries.

 SD, SDHC, and SDXC Logos are trademarks of SD-3C LLC. SD, SDHC and SDXC are trademarks or registered trademarks of SD-3C, LLC in the United States, other countries or both.

Regulatory information

Europe



This product complies with the applicable CE marking directives and harmonized standards:

- Electromagnetic Compatibility (EMC) Directive 2014/30/EU. See *Electromagnetic compatibility (EMC) on page 10*.
- Low Voltage Directive (LVD) 2014/35/EU. See *Safety on page 11*.
- Restriction of Hazardous Substances (RoHS) Directive 2011/65/EU and 2015/863, including any amendments, updates or replacements. See *Disposal and recycling on page 11*.

A copy of the original declaration of conformity may be obtained from Axis Communications AB. See *Contact information on page 11*.

Electromagnetic compatibility (EMC)

This equipment has been designed and tested to fulfill applicable standards for:

- Radio frequency emission when installed according to the instructions and used in its intended environment.
- Immunity to electrical and electromagnetic phenomena when installed according to the instructions and used in its intended environment.

USA

This device complies with part 15 of the FCC Rules. Operation is subject to the following two conditions:

1. This device may not cause harmful interference, and
2. this device must accept any interference received, including interference that may cause undesired operation.

This equipment has been tested using an unshielded network cable (UTP) and found to comply with the limits for a Class A digital device, pursuant to part 15 of the FCC rules. This equipment has also been tested using a shielded network cable (STP) and found to comply with the limits for a Class A digital device, pursuant to part 15 of the FCC rules. These limits are designed to provide reasonable protection against harmful interference when the equipment is operated in a commercial environment. This equipment generates, uses, and can radiate radio frequency energy and, if not installed and used in accordance with the instruction manual, may cause harmful interference to radio communications. Operation of this equipment in a residential area is likely to cause harmful interference in which case the user will be required to correct the interference at his own expense.

Contact information

Axis Communications Inc.
300 Apollo Drive
Chelmsford, MA 01824
United States of America
Tel: +1 978 614 2000

Canada

This digital apparatus complies with CAN ICES-3 (Class A). The product shall be connected using a shielded network cable (STP) that is properly grounded. Cet appareil numérique est conforme à la norme CAN NMB-3 (classe A). Le produit doit être connecté à l'aide d'un câble réseau blindé (STP) qui est correctement mis à la terre.

Europe

This digital equipment fulfills the requirements for RF emission according to the Class A limit of EN 55032. The product shall be connected using a shielded network cable (STP) that is properly grounded. Notice! This is a Class A product. In a domestic environment this product may cause RF interference, in which case the user may be required to take adequate measures.

Australia/New Zealand

This digital equipment fulfills the requirements for RF emission according to the Class A limit of AS/NZS CISPR 32. The product shall be connected using a shielded network cable (STP) that is properly grounded. Notice! This is a Class A product. In a domestic environment this product may cause RF interference, in which case the user may be required to take adequate measures.

Japan

この装置は、クラスA機器です。この装置を住宅環境で使用すると電波妨害を引き起こすことがあります。この場合には使用者が適切な対策を講ずるよう要求されることがあります。VCCI - A
本製品は、シールドネットワークケーブル (STP) を使用して接続してください。また適切に接地してください。
本製品は電気通信事業者 (移动通信会社、固定通信会社、インターネットプロバイダ等) の通信回線 (公衆無線 LAN を含む) に直接接続することができません。本製品をインターネットに接続する場合は、必ずルータ等を経由し接続してください。

Korea

이 기기는 업무용 환경에서 사용할 목적으로 저형성평가를 받은 기기로서 가정용 환경에서 사용하는 경우 전파간섭의 우려가 있습니다. 적절히 접지된 STP (shielded twisted pair) 케이블을 사용하여 제품을 연결 하십시오.

Safety

This product complies with IEC/EN/UL 60950-1, safety of audio/video and IT equipment and IEC/EN/UL 60950-22, Safety of Information Technology Equipment. The product shall be grounded using both the protective earth wire in the power cable and the grounding braid. Make sure both ends of the protective earth wire and the grounding braid are in contact with their respective grounding surfaces.

The power supply used with this product shall fulfill the requirements for Safety Extra Low Voltage (SELV) according to clause 2.2 of IEC/UL 60950-1 or CEC/NEC Class 2 source of supply as defined in the Canadian Electrical Code, CSA C22.1 and National Electrical Code, ANSI/NFPA 70.

Photobiological safety

This product fulfills the requirements for photobiological safety according to IEC/EN 62471 (risk group 2).

Disposal and recycling

When this product has reached the end of its useful life, dispose of it according to local laws and regulations. For information about your nearest designated collection point, contact your local authority responsible for waste disposal. In accordance with local legislation, penalties may be applicable for incorrect disposal of this waste.

Europe



This symbol means that the product shall not be disposed of together with household or commercial waste. Directive 2012/19/EU on waste electrical and electronic equipment (WEEE) is applicable in the European Union member states. To prevent potential harm to human health and the environment, the product must be disposed of in an approved and environmentally safe recycling process. For information about your nearest designated collection point, contact your local authority responsible for waste disposal. Businesses should contact the product supplier for information about how to dispose of this product correctly.

This product complies with the requirements of Directive 2011/65/EU and 2015/863 on the restriction of the use of certain hazardous substances in electrical and electronic equipment (RoHS).

China



This product complies with the requirements of SJ/T 11364-2014, Marking for the restriction of hazardous substances in electrical and electronic products.

有毒有害物质或元素						
部件名称	铅 (Pb)	汞 (Hg)	镉 (Cd)	六价铬 (Cr-VI)	多溴联苯 (PB-B)	多溴二苯醚 (PB-DE)
电气实装部分	X	0	0	0	0	0
0: 表示该有毒有害物质在该部件均质材料中的含量均在GB/T 26572标准规定的限量要求以下。 X: 表示该有毒有害物质至少在该部件的某一均质材料中的含量超出GB/T 26572标准规定的限量要求。						

Contact information

Axis Communications AB
Gränden 1
223 69 Lund
Sweden

Tel: +46 46 272 18 00

Fax: +46 46 13 61 30

axis.com

Warranty information

For information about Axis' product warranty and thereto related information, go to *axis.com/warranty*.

Support

Should you require any technical assistance, please contact your Axis reseller. If your questions cannot be answered immediately, your reseller will forward your queries through the appropriate channels to ensure a rapid response. If you are connected to the Internet, you can:

- download user documentation and software updates
- find answers to resolved problems in the FAQ database, search by product, category, or phrase
- report problems to Axis support staff by logging in to your private support area
- chat with Axis support staff
- visit Axis Support at *axis.com/support*

Learn more!

Visit Axis learning center *axis.com/learning* for useful trainings, webinars, tutorials and guides.

Safety information

Hazard levels

▲DANGER

Indicates a hazardous situation which, if not avoided, will result in death or serious injury.

▲WARNING

Indicates a hazardous situation which, if not avoided, could result in death or serious injury.

▲CAUTION

Indicates a hazardous situation which, if not avoided, could result in minor or moderate injury.

NOTICE

Indicates a situation which, if not avoided, could result in damage to property.

Other message levels

Important

Indicates significant information which is essential for the product to function correctly.

Note

Indicates useful information which helps in getting the most out of the product.

AXIS Q8685-LE PTZ Network Camera

Safety instructions


⚠ DANGER

Risk of electric shock. All cables shall be de-energized before installing or performing maintenance on the product.


⚠ WARNING

The Axis product shall be installed by a trained professional, and in compliance with local laws and regulations.


⚠ CAUTION

 IR is emitted from this product. It can be harmful to the eyes. Avoid eye exposure. Use shielding or eye protection.

⚠ CAUTION

 Moving parts. Risk of injury. Keep your body parts away from the product when it's in operation. Disconnect from power supply before installing or performing maintenance on the product.

⚠ CAUTION

 Hot surface. Risk of injury. Don't touch the product when it's in operation. Disconnect from power supply and allow the surfaces to cool before performing maintenance on the product.

NOTICE

- The Axis product shall be used in compliance with local laws and regulations.
- Store the Axis product in a dry and ventilated environment.
- Avoid exposing the Axis product to shocks or heavy pressure.
- Do not install the product on unstable poles, brackets, surfaces or walls.
- Use only applicable tools when installing the Axis product. Using excessive force with power tools could cause damage to the product.
- Do not use chemicals, caustic agents, or aerosol cleaners.
- Use a clean cloth dampened with pure water for cleaning.
- Use only accessories that comply with the technical specification of your product. These can be provided by Axis or a third party. Axis recommends using Axis power source equipment compatible with your product.
- Use only spare parts provided by or recommended by Axis.
- Do not attempt to repair the product yourself. Contact Axis support or your Axis reseller for service matters.
- Do not point the camera lens toward the sun or other high-intensity radiation sources because this could cause damage to the camera.
- Use a yellow/green colored grounding cable of at least 0.5 mm² or 20 AWG.

Transportation

NOTICE

- When transporting the Axis product, use the original packaging or equivalent to prevent damage to the product.

EN

Battery

The Axis product uses a 3.0 V BR2032 lithium battery as the power supply for its internal real-time clock (RTC). Under normal conditions this battery will last for a minimum of five years.

▲CAUTION

Do not replace the battery yourself. Contact Axis support if the log message requests a battery change.

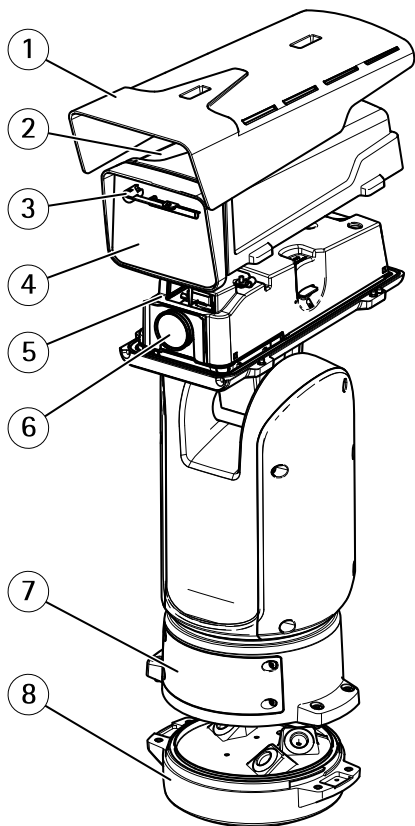
Lithium coin cell 3.0 V batteries contain 1,2-dimethoxyethane; ethylene glycol dimethyl ether (EGDME), CAS no. 110-71-4.

Package contents

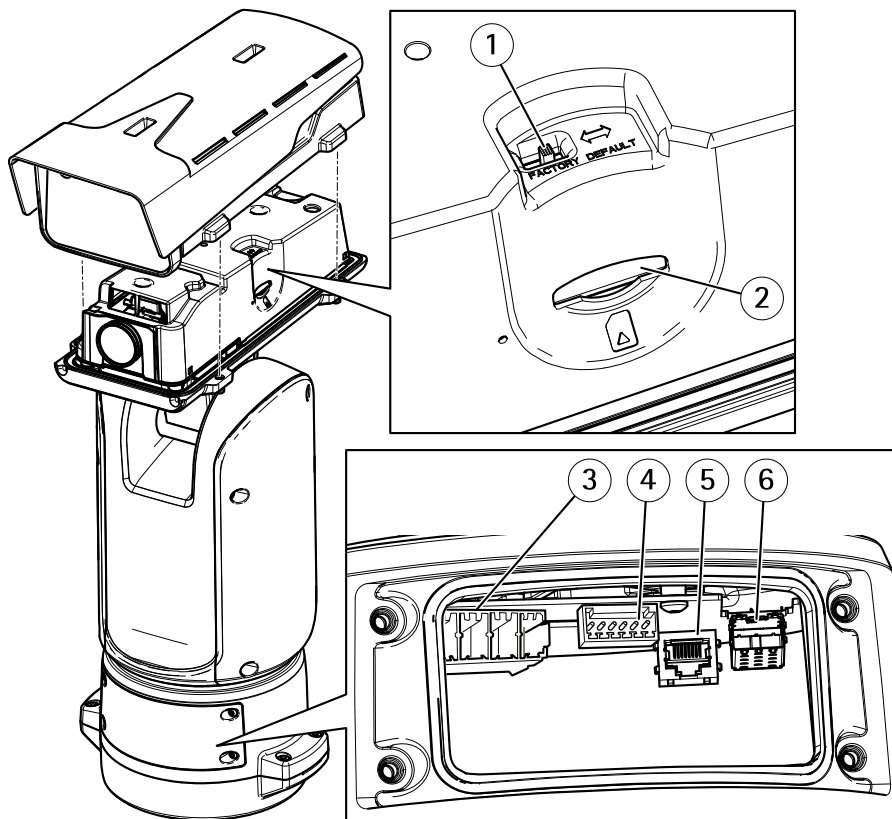
- AXIS Q8685-LE PTZ Network Camera
- AXIS PT IR Illuminator Kit C
- Power connector
- I/O connector
- Torx® bit T20 and T30
- Printed materials
 - Installation Guide (this document)
 - Extra serial number label (2x)
 - AVHS Authentication key

AXIS Q8685-LE PTZ Network Camera

Hardware overview

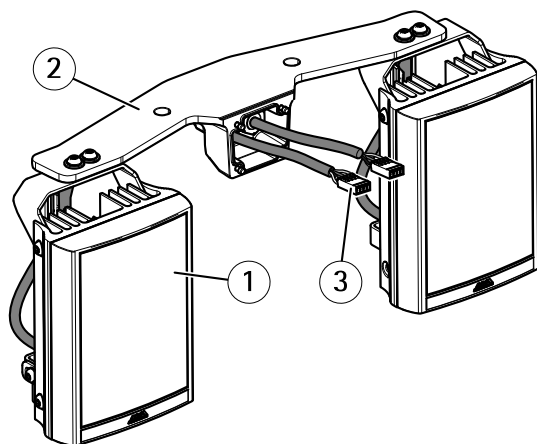


- 1 Sunshield
- 2 Top cover
- 3 Wiper
- 4 Front window
- 5 Inner cover
- 6 Lens
- 7 Lid
- 8 Base unit



- 1 *Factory default switch*
- 2 *SD memory card slot*
- 3 *Input power connector*
- 4 *I/O connector*
- 5 *RJ45 connector*
- 6 *SFP slot for SFP module (SFP module not included)*

AXIS Q8685-LE PTZ Network Camera

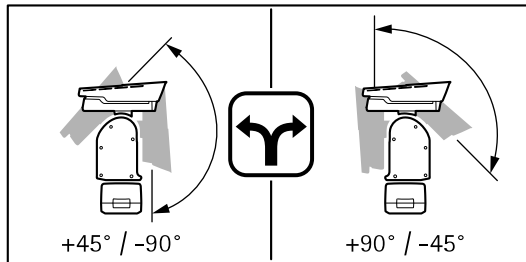


- 1 *Illuminator (x2)*
- 2 *Illuminator bracket*
- 3 *Illuminator connector (x2)*

How to install the product

Main installation tasks

1. Mount the base unit on page 21
2. Route the cables on page 23
3. Install the network link on page 28
4. Connect the cables on page 29
5. Install the illuminator kit. Follow one of two installations:
 - Install the illuminator kit (default installation) on page 31
 - Inverted installation on page 37, followed by Install the illuminator kit (inverted installation) on page 40
6. How to access the product on page 46
7. Set the inverted configuration on page 46
8. Enable the illuminator kit on page 47
9. Install an SD card (optional) on page 48




⚠ DANGER

Risk of electric shock. All cables shall be de-energized before installing the product.


⚠ CAUTION

The electrical connections and conduit installations shall be made by a certified electrician and in compliance with local regulations.

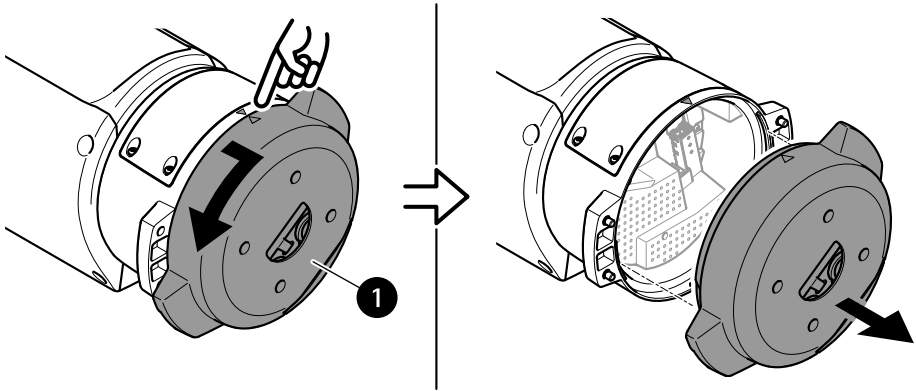
⚠ CAUTION

 Risk of injury. Moving parts. Keep your body parts away from the product when in operation. Disconnect from power supply before installing or performing maintenance on the product.

⚠ CAUTION

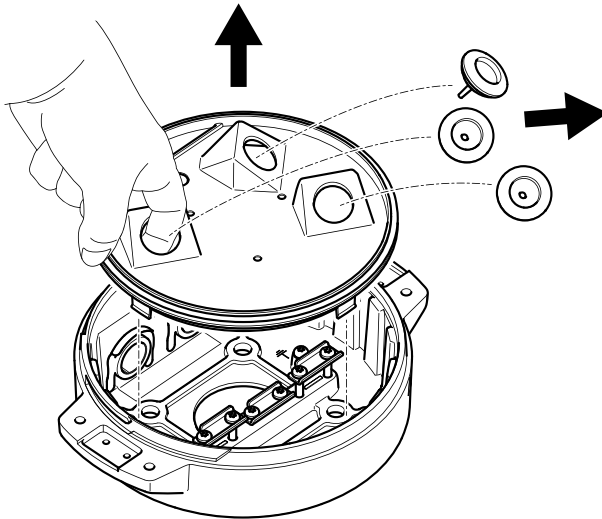
 Risk of injury. Hot surface. Do not touch the product when in operation. Disconnect from power supply and allow the surfaces to cool before performing maintenance on the product.

Mount the base unit



1 Base unit

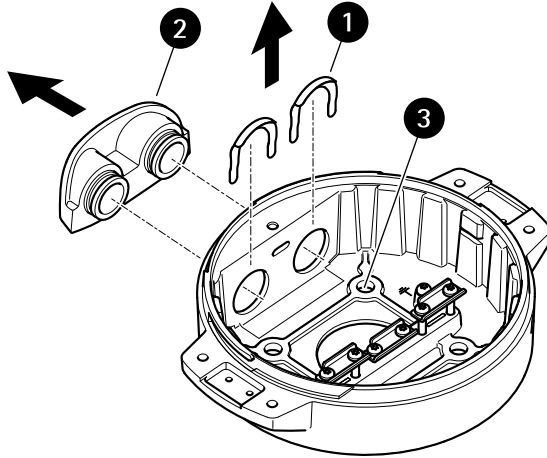
1. Remove the four base unit screws (T30).
2. Simultaneously pull and turn the base unit counterclockwise until the arrows on the base unit and the rest of the positioning unit align.
3. Remove the base unit.



NOTICE

Do not use sharp tools when you remove the transparent base unit cover.

4. Remove the transparent base unit cover.



- 1 Conduit cover clip
- 2 Conduit cover
- 3 Screw hole (x4)

5. For conduit installations only: remove the two conduit cover clips followed by the conduit cover.
6. Attach the base unit to the mounting surface with appropriate fasteners in the four screw holes.

Route the cables

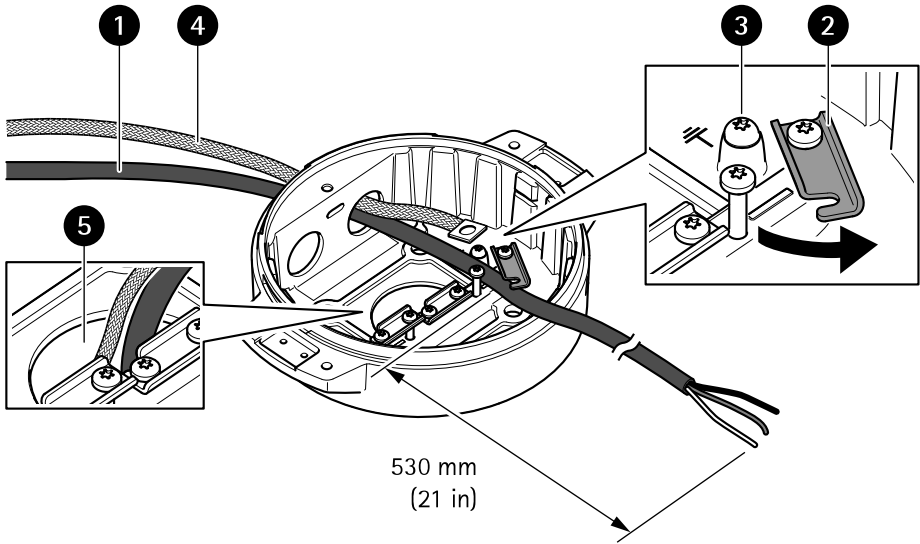
⚠WARNING

Risk of electric shock. The product shall be grounded using both the protective grounding wire in the power cable and the grounding braid. Make sure both ends of the protective grounding wire and the grounding braid are in contact with their respective grounding surfaces.

Important

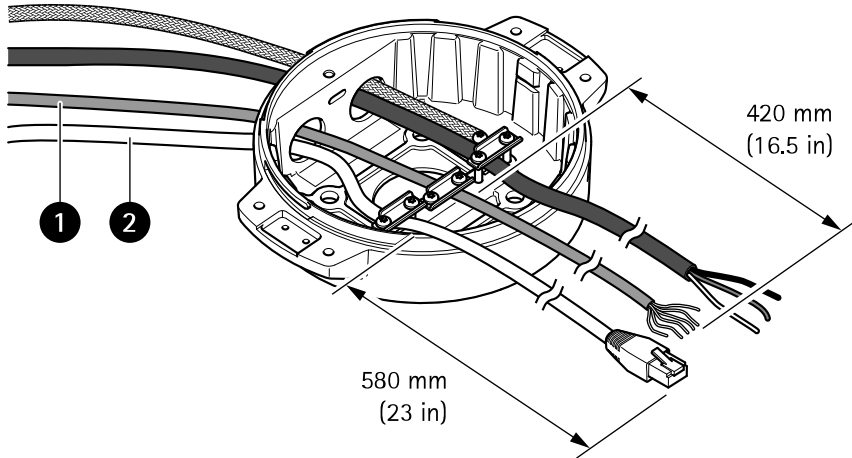
Use only cables that comply with the specified cable area. For more information, see *Cable thickness* on page 54.

AXIS Q8685-LE PTZ Network Camera



- 1 Power cable (not included)
- 2 Strain relief
- 3 Grounding screw
- 4 Grounding braid (not included)
- 5 Bottom cable hole

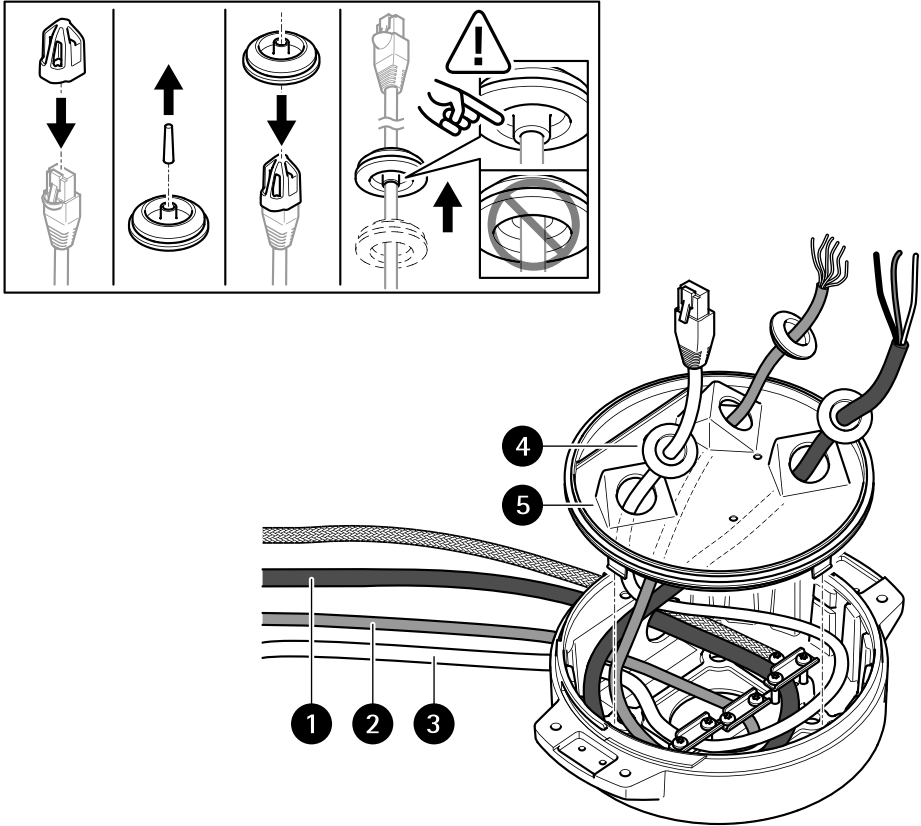
1. Install the optional conduit adapters (not included).
2. Connect the grounding braid to the grounding screw.
3. Insert the power cable, I/O cable and network cable through the hole in the base unit as shown in the illustration above. Alternatively insert them through the bottom cable hole.
4. Insert the power cable through the strain relief with a distance of 530 mm (21 in) from the strain relief to the end of the cable.



- 1 I/O cable (optional, not included)
- 2 Network cable (not included)

5. Insert the I/O cable (optional) through the strain relief with a distance of 420 mm (16.5 in) from the strain relief to the end of the cable.
6. Insert the network cable (optical fiber cable and/or RJ45 cable) through the strain relief with a distance of 580 mm (23 in) from the strain relief to the end of the connector.
For more information on different network connectivity options, see *Install the network link* on page 28.
7. Close and tighten the three strain reliefs.

AXIS Q8685-LE PTZ Network Camera



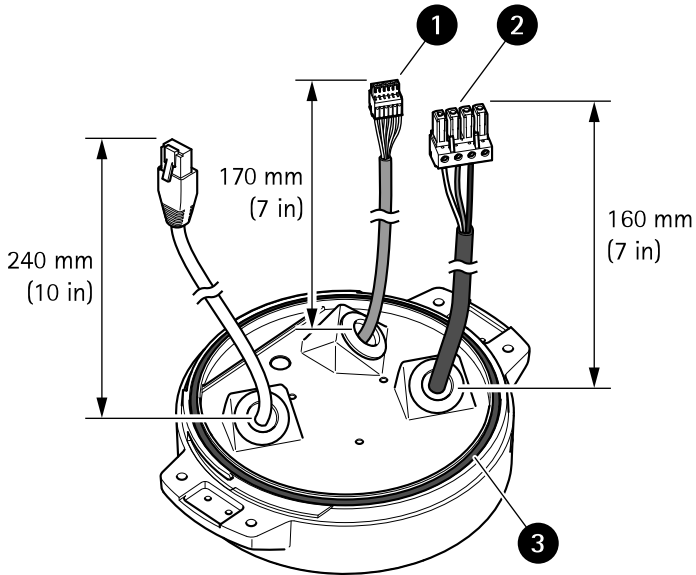
- 1 Power cable (not included)
- 2 I/O cable (optional, not included)
- 3 Network cable (not included)
- 4 Cable gasket
- 5 Transparent base unit cover

8. Fit cable gaskets on the cables. See *Cable thickness* on page 54.
9. Insert the power, I/O and network cables including the cable gaskets through the holes in the transparent base unit cover and arrange the cables as shown in the illustration above.

NOTICE

If you use both an optical fibre cable and an RJ45 cable for network connectivity, route the optical fibre cable through the same cable gasket as the I/O cable. Apply a sealant between the cables and the cable gasket to prevent leakage. For more information on different network connectivity options, see *Install the network link* on page 28.

- Place the transparent base unit cover on the base unit and fit the cable gaskets inside the holes.



- I/O connector
- Power connector
- O-ring

NOTICE

To not accidentally disconnect the unit from power if the cable is pulled, let the protective grounding wire be about 10 mm (0.4 in) longer than the other two wires (in the power cable).

Note

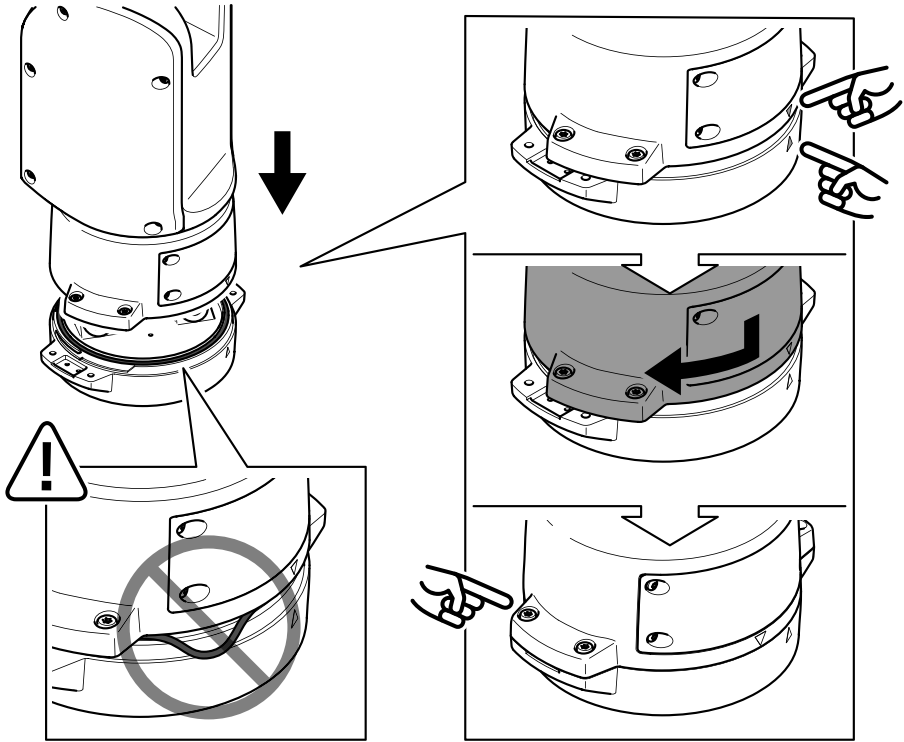
To make the installation as easy as possible, we recommend you to strip approximately 90 mm (3.5 in) of the power cable jacket and 70 mm (2.8 in) of the I/O cable jacket.

- Install the power and I/O connectors.
- Adjust the network, I/O and power cables so that the distance from the cable gasket to the end of the connector is 240 mm (10 in), 170 mm (7 in), and 160 mm (7 in) respectively.

NOTICE

Make sure that the O-ring is fitted correctly around the transparent base unit cover.

AXIS Q8685-LE PTZ Network Camera

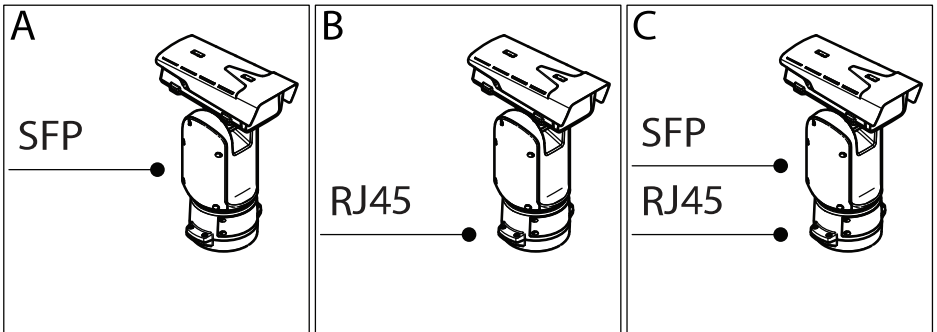


13. Place the positioning unit on the base unit. Make sure that the arrows on the two units are aligned.
14. Turn the positioning unit clockwise back to its original position and tighten the four base unit screws (torque 3.0 Nm).

NOTICE

Make sure that the cables don't get pinched when you assemble the two units.

Install the network link



You can choose between different options when you install the network link:

- A: via an optical fiber or RJ45 cable connected to the SFP module (with a respective connector) in the SFP slot.
- B: via an RJ45 cable connected to the fixed RJ45 connector.
- C: via both of the above, in which case the SFP module connection functions as the primary network link, and the fixed RJ45 connection functions as the fail-over link.

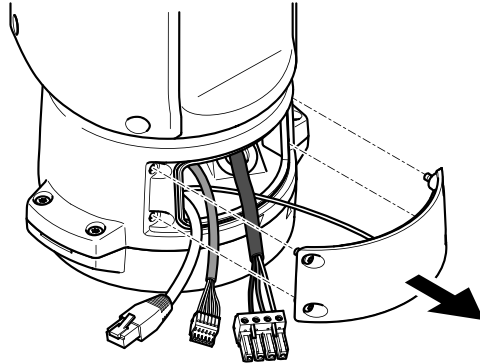
For more information on network connector locations, see .

Note

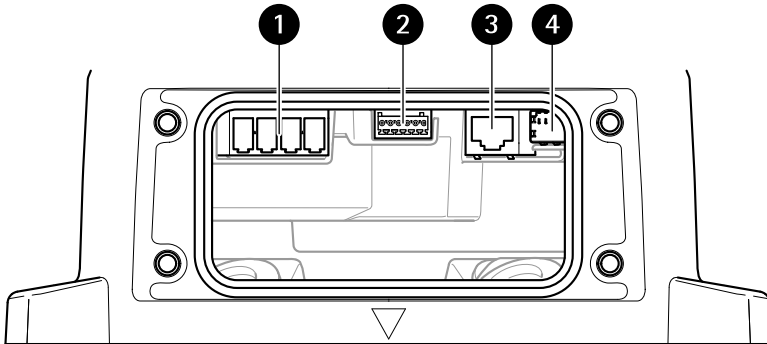
- SFP module is not included. For more information on available SFP modules, see axis.com
- If you install a network link only via the optical fiber cable using the respective SFP module, it works as a stand-alone solution for long range cabling installations.

AXIS Q8685-LE PTZ Network Camera

Connect the cables

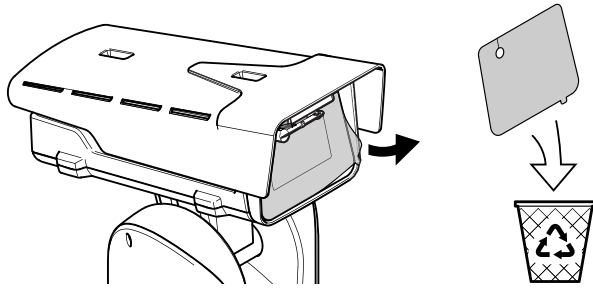


1. Loosen the four lid screws (T20) and remove the lid.



- 1 *Input power connector*
- 2 *I/O connector*
- 3 *RJ45 connector*
- 4 *SFP slot for SFP module (SFP module not included)*

2. Connect the network (optical fibre and/or RJ45), I/O and power cables. For more information on different network connectivity options, see *Install the network link* on page 28.
3. Return the lid to its position and tighten the four lid screws (torque 3.0 Nm).




4. Remove the protective cover.
5. Apply power to the product.

Install the illuminator kit (default installation)

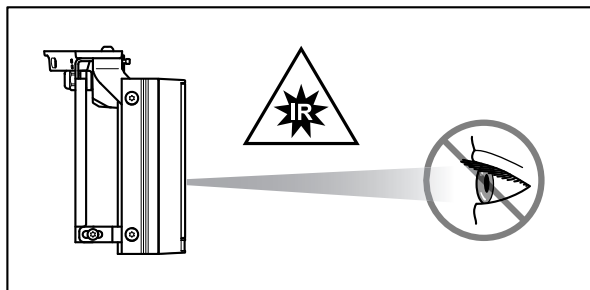
▲WARNING

Risk of electric shock. Make sure the power supply is disconnected.

▲CAUTION

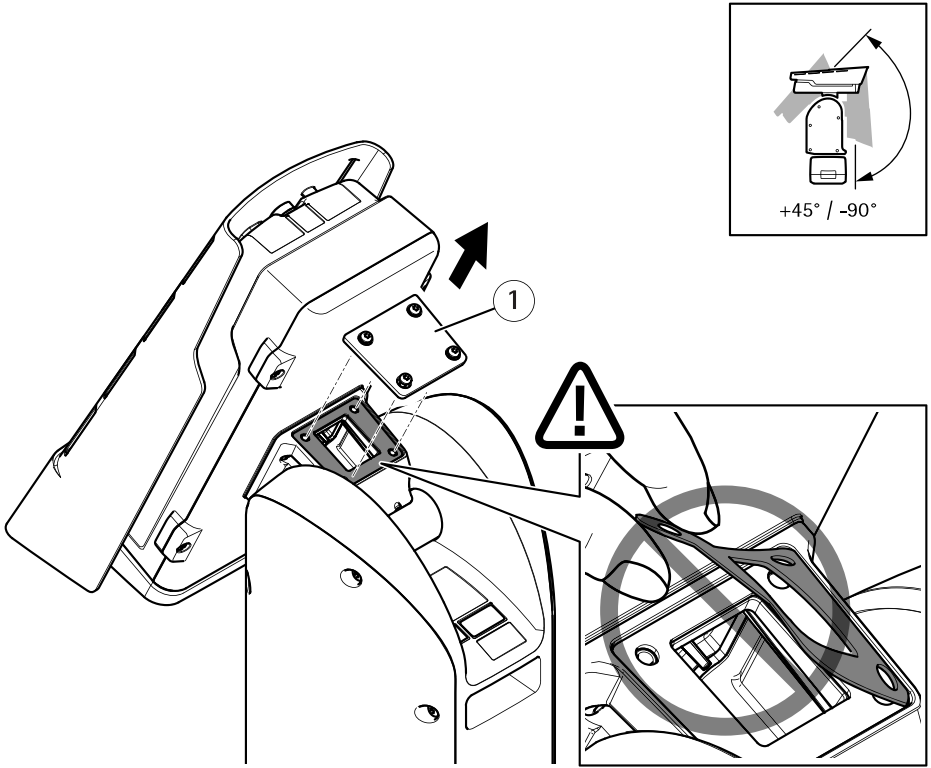
 IR is emitted from this product. It can be harmful to the eyes. Avoid eye exposure. Use shielding or eye protection.

AXIS Q8685-LE PTZ Network Camera



⚠ CAUTION

During normal operation, the surface of the illuminator can reach high temperatures. Do not allow direct contact and position the appliance where it is inaccessible to unauthorized personnel. Before touching, switch off the illuminator and allow to cool for a minimum period of 10 minutes.



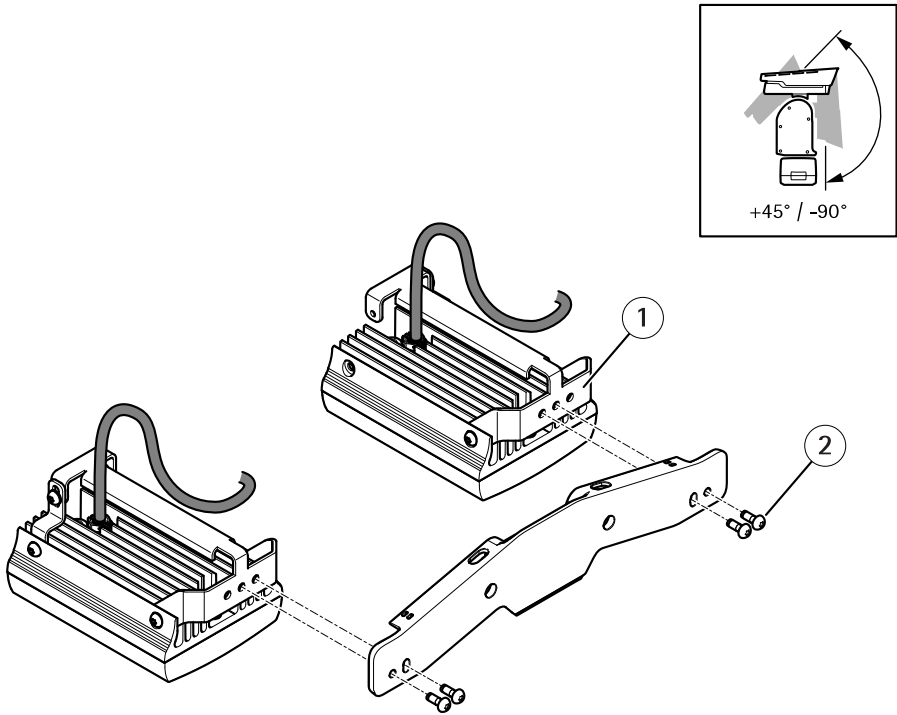
1 Cover

1. Remove the four cover screws (T20) and remove the cover.

Important

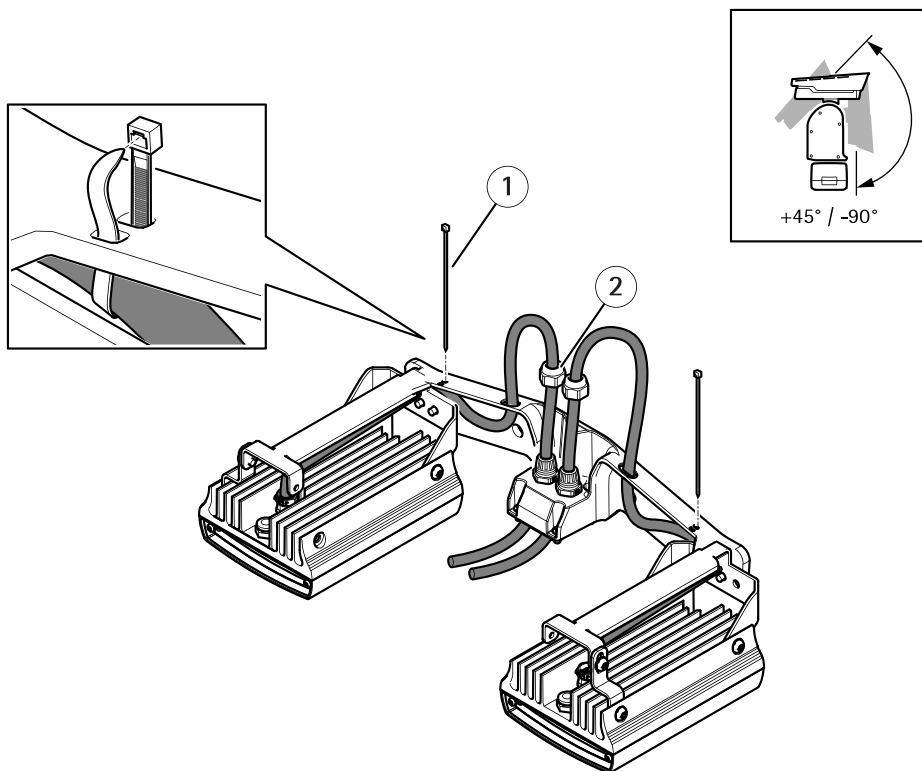
Make sure that the gasket under the cover remains in place.

AXIS Q8685-LE PTZ Network Camera



- 1 Illuminator (x2)
- 2 Screw (M6, x4)

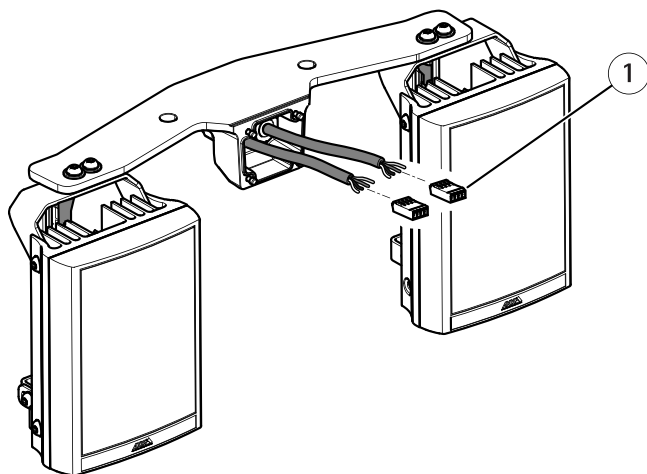
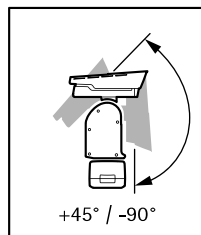
2. Attach the illuminators to the illuminator bracket using the four screws.



- 1 Cable tie (x2)
- 2 Cap nut (x2)

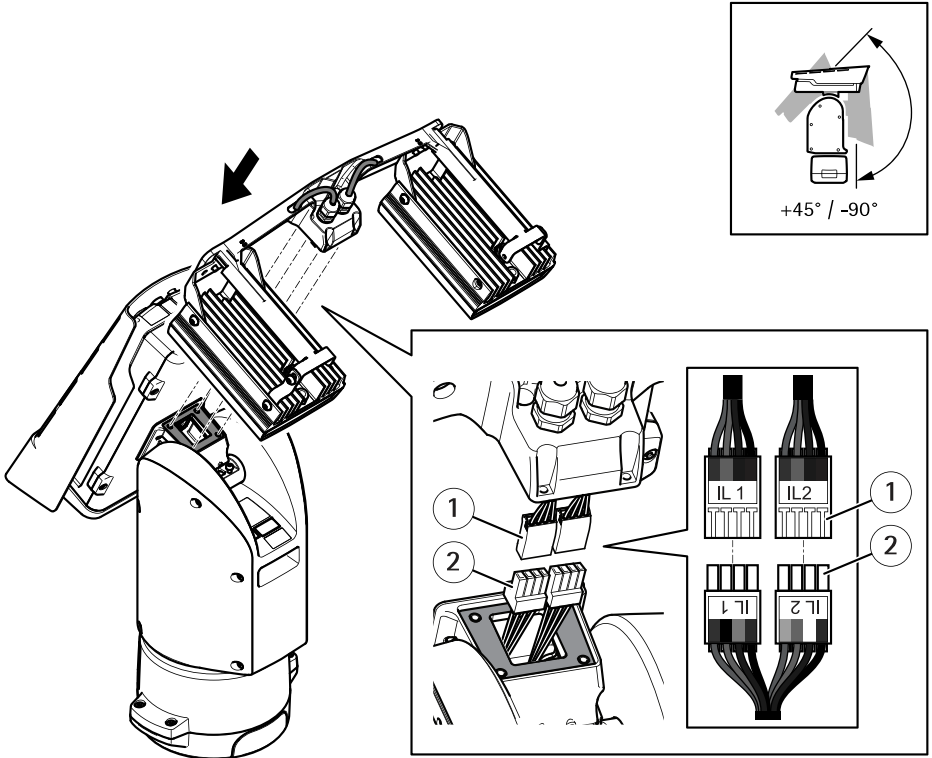
3. Route the cables as shown in the illustration above and tighten the cap nuts (torque 1.5 Nm).
4. Strap the cables to the illuminator bracket using cable ties.

AXIS Q8685-LE PTZ Network Camera



1 Illuminator connector (x2)

5. Install the connectors. See *Connectors* on page 51.



- 1 Connector from the illuminator (x2)
- 2 Connector from the positioning unit (x2)

6. Connect the cables. See *Connectors* on page 51.
7. Attach the illuminator bracket to the positioning unit using the four screws (T20, torque 3.0 Nm).

Note

For more information on operating the illuminators, see the illuminator LED manual (check model on product label) and the User Manual of your compatible Axis product at www.axis.com

Inverted installation

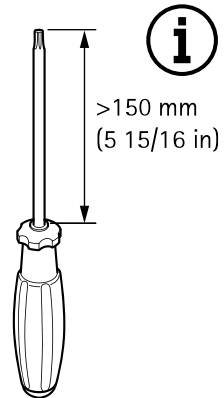
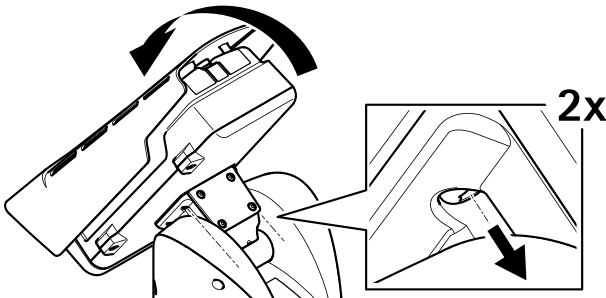
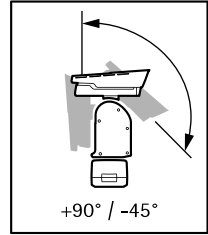
Note

Follow this installation to set the camera housing in an inverted configuration, if tilting directly upwards is preferred.

AXIS Q8685-LE PTZ Network Camera

⚠ CAUTION

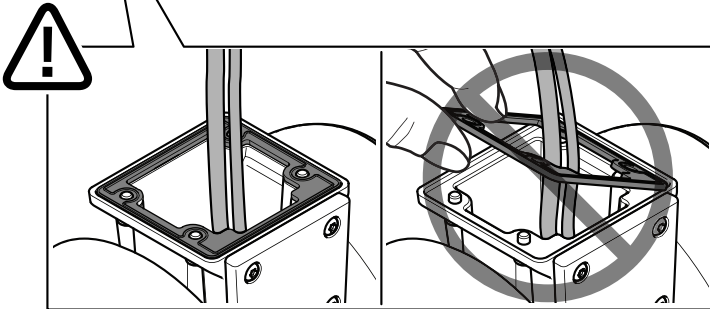
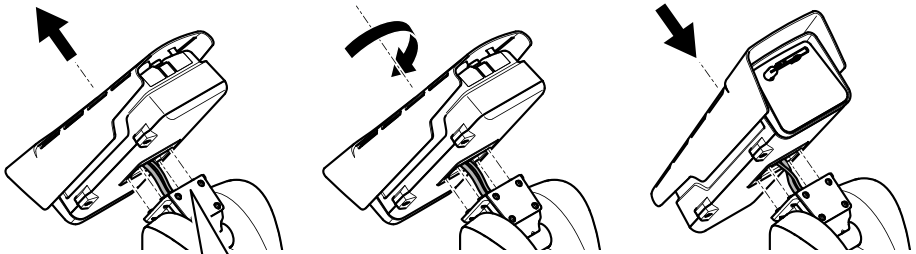
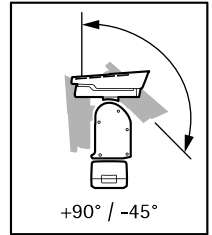
This installation requires two persons.



1. Tilt the bottom cover backward to its end position and loosen the two front captive screws of the positioning unit (T20).
2. Tilt the bottom cover forward to its end position and loosen the two rear captive screws of the positioning unit (T20).

NOTICE

To reach the positioning unit screws, use a screwdriver with a long enough blade (see picture above).

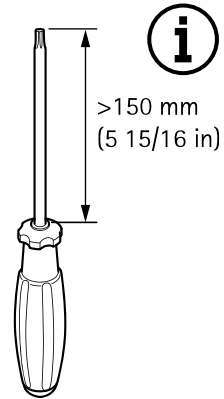
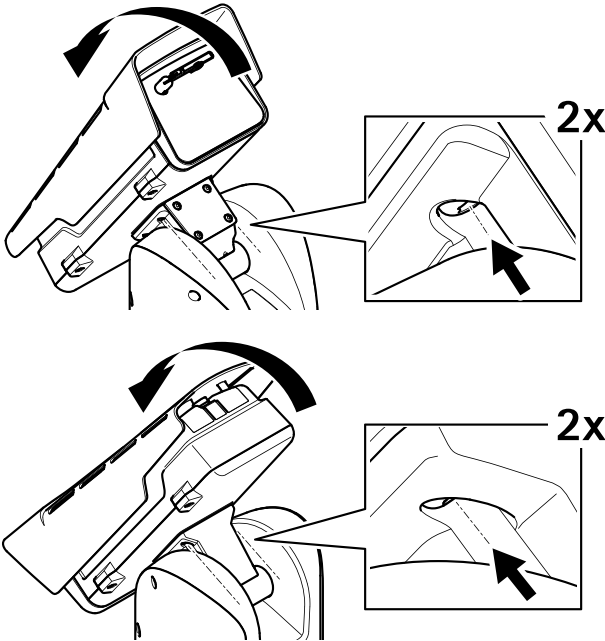
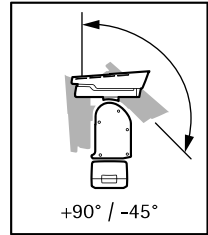


3. Lift up the camera unit, turn it, and fit it on the positioning unit in an inverted position.

Important

Make sure that the gasket under the camera unit remains in place.

AXIS Q8685-LE PTZ Network Camera



4. Tilt the bottom cover backward to its end position and tighten the two front screws of the positioning unit (T20, torque 3.0 Nm).
5. Tilt the bottom cover forward to its end position and tighten the two rear screws of the positioning unit (T20, torque 3.0 Nm).

NOTICE


To reach the positioning unit screws, use a screwdriver with a long enough blade (see picture above).

Install the illuminator kit (inverted installation)

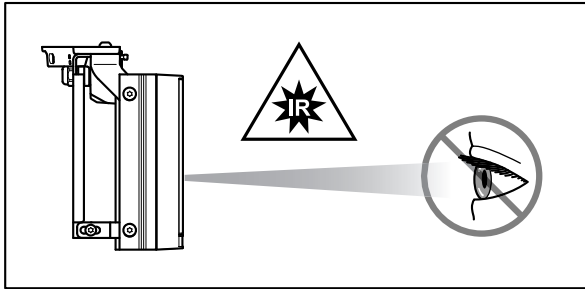
⚠WARNING

Risk of electric shock. Make sure the power supply is disconnected.

⚠ CAUTION

 IR is emitted from this product. It can be harmful to the eyes. Avoid eye exposure. Use shielding or eye protection.

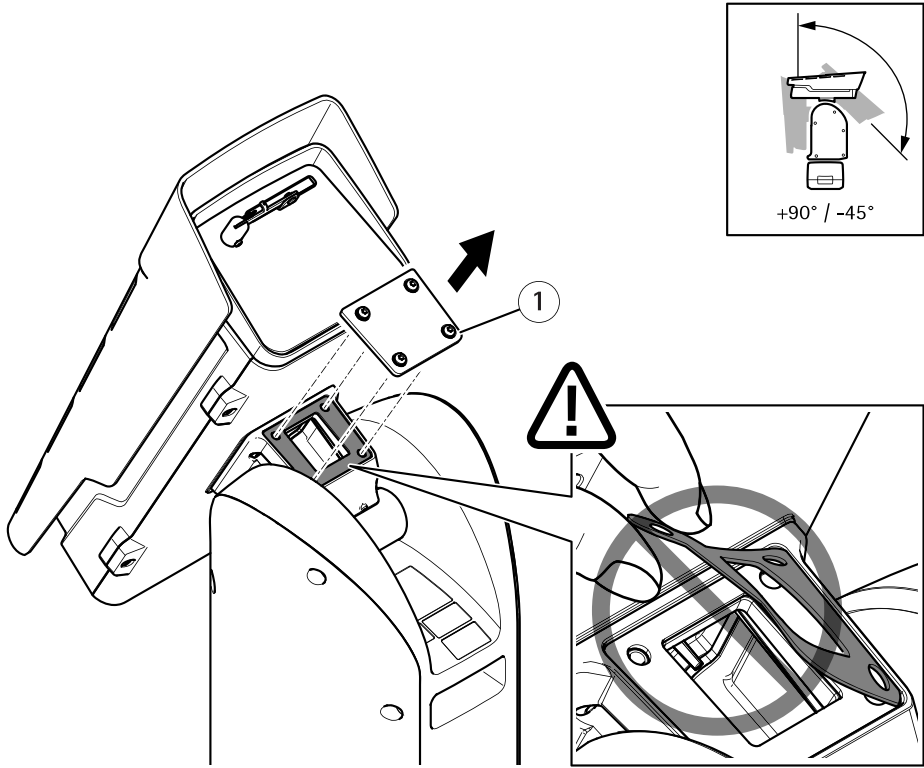
EN



⚠ CAUTION

During normal operation, the surface of the illuminator can reach high temperatures. Do not allow direct contact and position the appliance where it is inaccessible to unauthorized personnel. Before touching, switch off the illuminator and allow to cool for a minimum period of 10 minutes.

AXIS Q8685-LE PTZ Network Camera

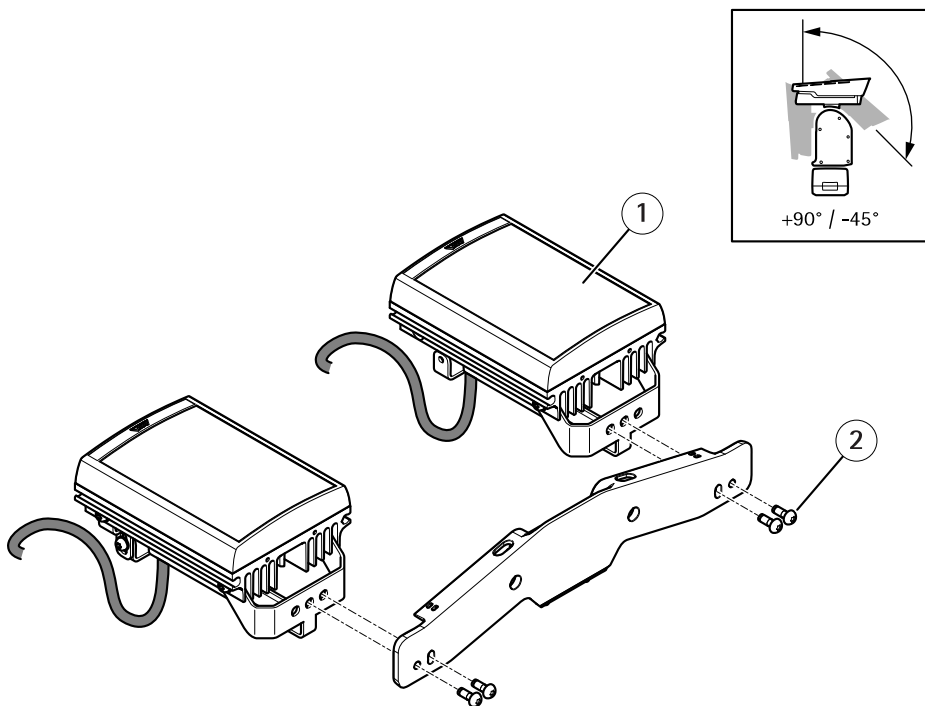


1 Cover

1. Loosen the four captive screws (T20) on the cover, and remove the cover.

Important

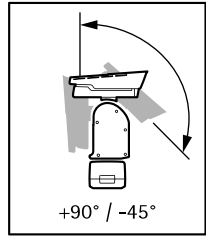
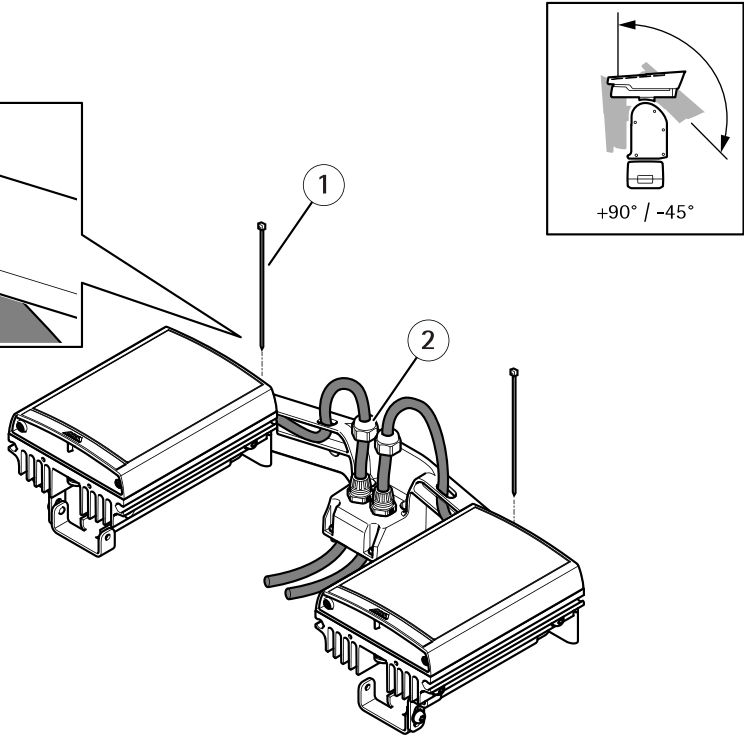
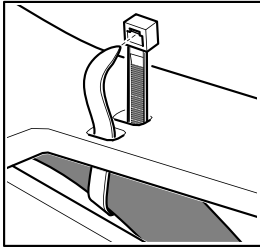
Make sure that the gasket under the cover remains in place.



- 1 Illuminator (x2)
- 2 Screw (M6, x4)

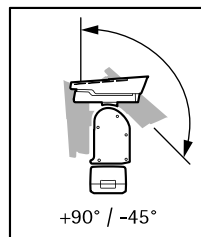
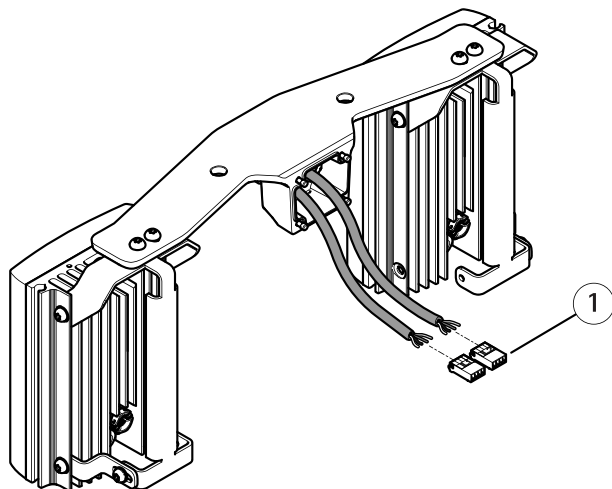
2. Attach the illuminators to the illuminator bracket using the four screws and washers.

AXIS Q8685-LE PTZ Network Camera



- 1 Cable tie (x2)
- 2 Cap nut (x2)

3. Route the cables as shown in the illustration above and tighten the cap nuts (torque 1.5 Nm).
4. Strap the cables to the illuminator bracket using cable ties.

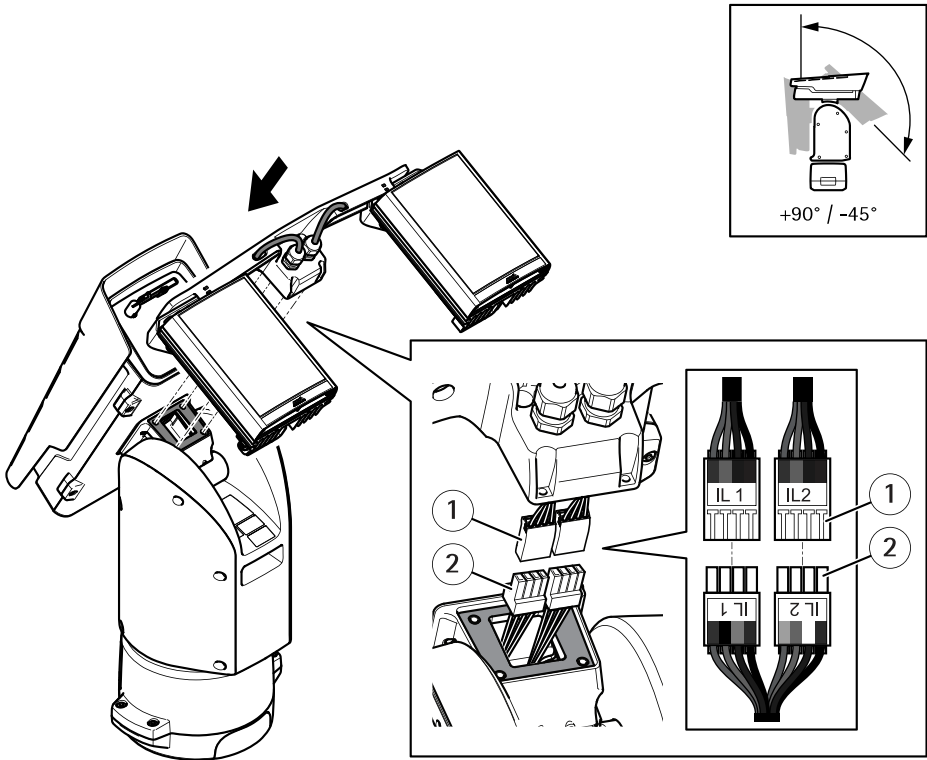


EN

1 Illuminator connector (x2)

5. Install the connectors. See *Connectors* on page 51.

AXIS Q8685-LE PTZ Network Camera



- 1 Connector from the illuminator (x2)
- 2 Connector from the positioning unit (x2)

6. Connect the cables. See *Connectors* on page 51.
7. Attach the illuminator bracket to the positioning unit using the four screws (T20, torque 3.0 Nm).

How to access the product

To find Axis devices on the network and assign them IP addresses in Windows®, use AXIS IP Utility or AXIS Device Manager. Both applications are free and can be downloaded from axis.com/support

For more information about using the product, see the User Manual available at axis.com

Set the inverted configuration

Note

This task only applies when using the inverted configuration.

Important

These instructions apply only to device firmware earlier than v8.40.

1. Go to the product's web page.
2. Go to **Settings > System Options > Maintenance** and click **Default**.
3. Wait for the camera to reset.
4. Go to the product's web page.
5. Go to **Setup > PTZ > Advanced > Device > Extended Driver Specific Settings for Video Source 1**.
6. Go to **Camera housing configuration** and select **Inverted**.
7. Click **Save**.

Important

These instructions apply only to device firmware v8.40 or later.

1. Go to the product's web page.
2. Go to **Settings > System > Maintenance** and click **Default**.
3. Wait for the camera to reset.
4. Go to the product's web page.
5. Go to **Settings > System > Plain Config > PTZ**.
6. Go to **Camera housing configuration** and select **Inverted**.
7. Click **Save**.

Enable the illuminator kit

Important

These instructions apply only to device firmware earlier than v8.40.

1. Go to the product's web page.
2. Go to **Setup > PTZ > Advanced > Device > Extended Driver Specific Settings for Video Source 1**.
3. For **Illuminator > IL1 type**:
 - Select **IR** if you connected an infrared illuminator
 - Select **White** for a white light illuminator
4. Repeat the above step for **Illuminator > IL2 type**.

Important

These instructions apply only to device firmware v8.40 or later.

1. Go to the product's web page.
2. Go to **Settings > System > Accessories**.
3. For **Illuminator > IL1 type**:
 - Select **IR** if you connected an infrared illuminator
 - Select **White** for a white light illuminator
4. Repeat the above step for **Illuminator > IL2 type**.

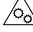
Install an SD card (optional)

A standard or high capacity SD card (not included) can be used to store recordings locally in the product. See *Specifications on page 51* before installing the SD card.


1. Disconnect power from the product.
2. Remove the four top cover screws and remove the top cover.
3. Insert an SD card into the SD card slot, see *Hardware overview on page 18*.
4. Replace the top cover and tighten the screws (torque 3.0 Nm).
5. Re-connect power to the product.

Reset to factory default settings

⚠ CAUTION

 Risk of injury. Moving parts. Keep your body parts away from the product when in operation. Disconnect from power supply before installing or performing maintenance on the product.

⚠ CAUTION

 Risk of injury. Hot surface. Do not touch the product when in operation. Disconnect from power supply and allow the surfaces to cool before performing maintenance on the product.

Important

Reset to factory default should be used with caution. A reset to factory default will reset all settings, including the IP address, to the factory default values.

Note

The installation and management software tools are available from the support pages on www.axis.com/support/downloads

To reset the product to the factory default settings:

1. Disconnect power from the product.
2. Remove the four top cover screws and remove the top cover.
3. Change the position of the Factory default switch, see *Hardware overview on page 18*.
4. Replace the top cover and tighten the screws (torque 3.0 Nm).
5. Re-connect power to the product.

It is also possible to reset parameters to factory default via the web interface.

AXIS Q8685-LE PTZ Network Camera

Further information

- The device's installation guide and user manual are available at axis.com.
- To check if there is an updated firmware version for your device, see axis.com/support.
- For useful trainings, webinars, tutorials and guides, see axis.com/academy.

Optional accessories

For a complete list of available accessories for this product, go to the product's page on axis.com and select Software & Accessories.

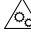
Warranty information

For information about Axis' product warranty and thereto related information, go to axis.com/warranty.


Specifications

SD card slot

⚠ CAUTION

 Risk of injury. Moving parts. Keep your body parts away from the product when in operation. Disconnect from power supply before installing or performing maintenance on the product.

⚠ CAUTION

 Risk of injury. Hot surface. Do not touch the product when in operation. Disconnect from power supply and allow the surfaces to cool before performing maintenance on the product.

NOTICE

- Risk of damage to SD card. Do not use sharp tools, metal objects, or excessive force when inserting or removing the SD card. Use your fingers to insert and remove the card.
- Risk of data loss and corrupted recordings. Unmount the SD card from the product's webpage before removal. Do not remove the SD card while the product is running.

This product supports SD/SDHC/SDXC cards.

For SD card recommendations, see axis.com.

Connectors

Network connector

RJ45 Ethernet connector.

SFP connector.

NOTICE

The product shall be connected using a shielded network cable (STP) or an optical fiber cable. All cables connecting the product to the network shall be intended for their specific use. Make sure that the network devices are installed in accordance with the manufacturer's instructions. For information about regulatory requirements, see *Electromagnetic compatibility (EMC) on page 10*.

I/O connector

Use the I/O connector with external devices in combination with, for example, motion detection, event triggering, and alarm notifications. In addition to the 0 V DC reference point and power (12 V DC output), the I/O connector provides the interface to:

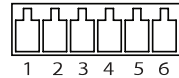
Digital input – For connecting devices that can toggle between an open and closed circuit, for example PIR sensors, door/window contacts, and glass break detectors.

AXIS Q8685-LE PTZ Network Camera

Digital output – For connecting external devices such as relays and LEDs. Connected devices can be activated by the VAPIX® Application Programming Interface, through an event or from the product's webpage.

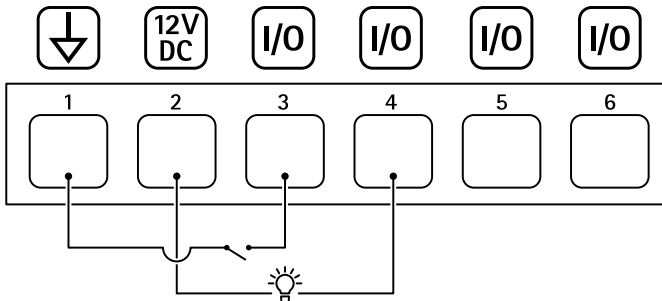
A digital light sensor – For receiving a value of the ambient light intensity from an external light sensor. This is used to control the product's day and night functionality.

6-pin configurable terminal block



Function	Pin	Notes	Specifications
DC ground	1		0 V DC
DC output	2	Can be used to power auxiliary equipment. Note: This pin can only be used as power out.	12 V DC Max load = 50 mA
Configurable (Input or Output)	3– 6	Digital input – Connect to pin 1 to activate, or leave floating (unconnected) to deactivate.	0 to max 30 V DC
		Digital output – Internally connected to pin 1 (DC ground) when active, and floating (unconnected) when inactive. If used with an inductive load, e.g., a relay, connect a diode in parallel with the load, to protect against voltage transients.	0 to max 30 V DC, open drain, 100 mA

Example



- 1 DC ground
- 2 DC output 12 V, max 50 mA
- 3 I/O configured as input
- 4 I/O configured as output

- 5 Configurable I/O
- 6 Configurable I/O

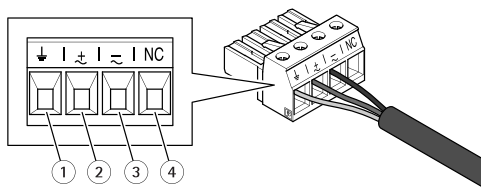
Power connector

4-pin terminal block for power input.

24 V AC/DC power connector

NOTICE

This section is valid for products powered by 24 V AC and 24 V DC only.

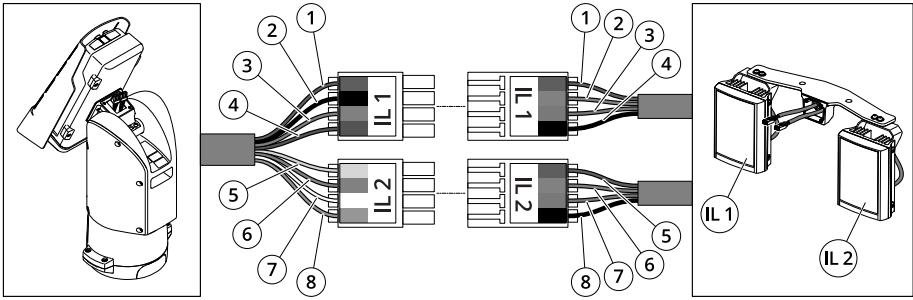


This table is only valid for the 24 V AC and the 24 V DC power connectors.

Position	24 V AC	24 V DC
1	Protective earth	Protective earth
2	24 V AC Phase	+ 24 V
3	24 V AC Neutral	0 V
4	Not connected	Not connected

AXIS Q8685-LE PTZ Network Camera

Illuminator connectors



	Position	Cable color (positioning unit)	Cable color (illuminators)	Description
IL1	1	Red	Red	+24V IL
	2	Black	Orange	IL1 +VE
	3	Gray	Purple	IL1 -VE
	4	Blue	Black	GND
IL2	5	Yellow	Red	+24V IL
	6	Orange	Orange	IL2 +VE
	7	White	Purple	IL2 -VE
	8	Green	Black	GND

Cables

Cable thickness

The cable diameter, when using cable gaskets provided with the product, should be in the range of 5 to 11 mm (0.2 to 0.4 in).

NOTICE

- Use cables that keep within the specified cable area
- Select cables in compliance with your local regulations
- Make sure all cable holes are properly sealed
- Use cable gaskets or cable glands that match both the cable hole and the cable area

For information about accessories, such as cable gaskets and cable glands that allow for other cable areas, see www.axis.com

Operating conditions

This Axis product is intended for indoor and outdoor use.

Temperature	Humidity
Normal: -50 °C to 55 °C (-58 °F to 131 °F) Maximum (intermittent): 65 °C (149 °F) Cold start: -40 °C to 55 °C (-40 °F to 131 °F)	10–100% RH (non-condensing)

Power consumption

Typical consumption	Max consumption
Without illumination: 16 W With illumination: 64 W	Without illumination: 204 W With illumination: 300 W

Important

When using the 22 m (72 ft) AXIS Cable 24 V DC/24–240 V AC, a power supply capable of delivering 400 W is required to compensate for the power loss in the cable.

NOTICE

The typical power consumption values are based on the following:

- Any losses in the power cable disregarded
- No positioning active
- No wiper motor active
- Temperature at 25 °C / 77 °F (all heaters off)
- One H.264 stream at maximum resolution
- MJPEG stream recorded to SD card
- IR lamps on 50% of the time (with illumination)

Informations sur la sécurité

Niveaux de risques

▲DANGER

Indique une situation dangereuse qui, si elle n'est pas évitée, entraînera le décès ou des blessures graves.

▲AVERTISSEMENT

Indique une situation dangereuse qui, si elle n'est pas évitée, pourrait entraîner le décès ou des blessures graves.

▲ATTENTION

Indique une situation dangereuse qui, si elle n'est pas évitée, pourrait entraîner des blessures légères ou modérées.

AVIS

Indique une situation qui, si elle n'est pas évitée, pourrait endommager l'appareil.

Autres niveaux de message

Important

Indique les informations importantes, nécessaires pour assurer le bon fonctionnement de l'appareil.

Remarque

Indique les informations utiles qui permettront d'obtenir le fonctionnement optimal de l'appareil.

Consignes de sécurité


⚠ DANGER

Risque de choc électrique. Tous les câbles doivent être mis hors tension avant l'installation ou une intervention de maintenance sur le produit.


⚠ AVERTISSEMENT

Le produit Axis doit être installé par un professionnel qualifié et conformément aux lois et réglementations locales en vigueur.


⚠ ATTENTION

 IR émis par ce produit. Cela peut être nocif pour les yeux. Évitez toute exposition des yeux. Utilisez un écran ou une protection oculaire.

⚠ ATTENTION

 Pièces mobiles. Risque de blessure. Restez à l'écart du produit lorsqu'il est fonctionnant. Débranchez l'alimentation électrique avant d'installer le produit ou d'effectuer son entretien.

⚠ ATTENTION

 Surfaces chaudes. Risque de blessure. Ne touchez pas le produit lorsqu'il est en cours de fonctionnement. Débranchez l'alimentation électrique et laissez les surfaces refroidir avant d'effectuer l'entretien du produit.

AVIS

- Le produit Axis doit être utilisé conformément aux lois et règlements locaux.
- Conserver ce produit Axis dans un environnement sec et ventilé.
- Ne pas exposer ce produit Axis aux chocs ou aux fortes pressions.
- Ne pas installer ce produit sur des poteaux, supports, surfaces ou murs instables.
- Utiliser uniquement des outils recommandés pour l'installation de l'appareil Axis. L'application d'une force excessive sur l'appareil avec des outils puissants pourrait l'endommager.
- Ne pas utiliser de produits chimiques, de substances caustiques ou de nettoyeurs pressurisés.
- Utiliser un chiffon propre imbibé d'eau pure pour le nettoyage.
- Utiliser uniquement des accessoires conformes aux caractéristiques techniques de votre produit. Ils peuvent être fournis par Axis ou un tiers. Axis recommande d'utiliser un équipement d'alimentation Axis compatible avec votre produit.
- Utiliser uniquement les pièces de rechange fournies ou recommandées par Axis.
- Ne pas essayer de réparer vous-même ce produit. Contacter l'assistance technique d'Axis ou votre revendeur Axis pour des problèmes liés à l'entretien.
- Évitez de pointer l'objectif de la caméra vers le soleil ou toute autre source de radiation de haute intensité. Cela risque d'endommager la caméra.

- Utilisez un câble de mise à la terre de couleur jaune/vert d'au moins 0,5 mm² ou 20 AWG.

Transport

AVIS

- Lors du transport du produit Axis, utilisez l'emballage d'origine ou un équivalent pour éviter d'endommager le produit.

FR

Batterie

Le produit Axis utilise une batterie au lithium BR2032 3,0 V comme alimentation de son horloge en temps réel interne (RTC). Dans des conditions normales, cette batterie a une durée de vie minimale de cinq ans.

⚠ ATTENTION

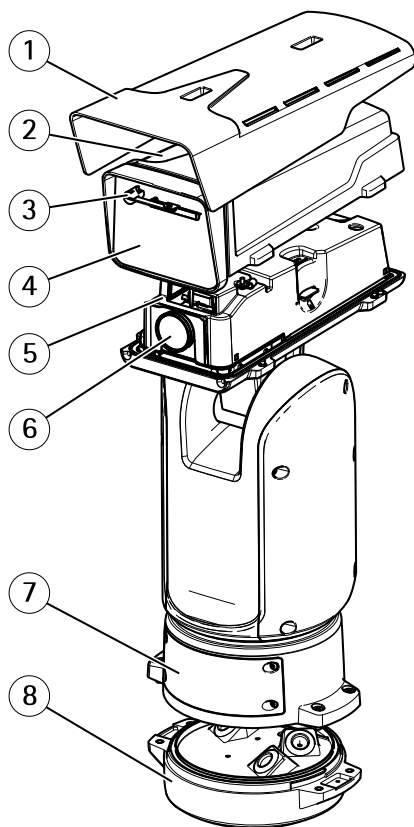
Ne remplacez pas la batterie vous-même. Contactez le support Axis si le message du journal demande un changement de batterie.

Les piles boutons 3,0 V au lithium contiennent du 1,2-diméthoxyéthane, éthylène glycol diméthyl éther (EGDME), CAS n° 110-71-4.

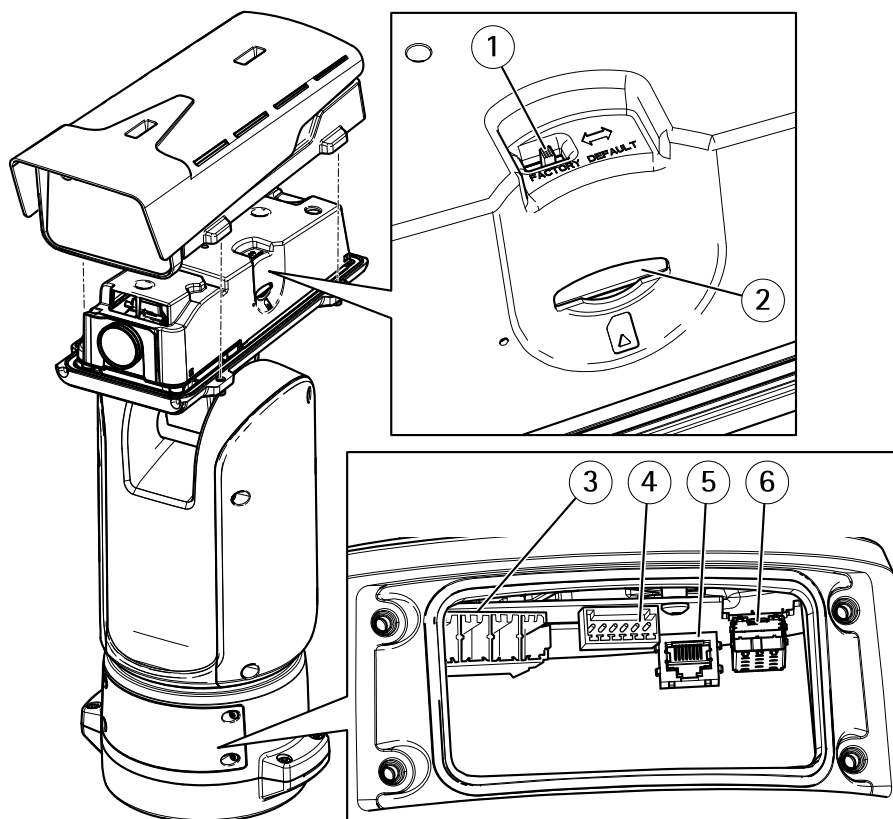
Contenu de l'emballage

- Caméra réseau PTZ AXIS Q8685-LE
- Kit d'éclairage infrarouge PT IR AXIS
- Connecteur d'alimentation
- Connecteur E/S
- Torx® embout T20 et T30
- Documents imprimés
 - Guide d'installation (ce document)
 - Étiquette supplémentaire de numéro de série (x2)
 - Clé d'authentification AVHS

Présentation du matériel

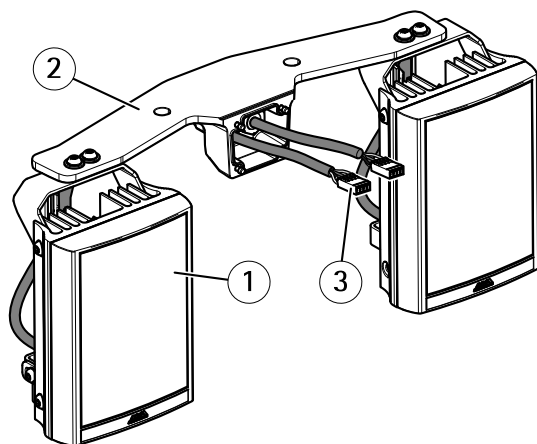


- 1 Pare-soleil
- 2 Couvercle supérieur
- 3 Essuyage
- 4 Fenêtre avant
- 5 Couvercle interne
- 6 Objectif
- 7 Opercule
- 8 Unité de base



- 1 Commutateur valeurs par défaut
- 2 Logement pour carte mémoire SD
- 3 Connecteur d'alimentation d'entrée
- 4 Connecteur E/S
- 5 Connecteur RJ45
- 6 Emplacement SFP pour module SFP (module SFP non inclus)

AXIS Q8685-LE PTZ Network Camera

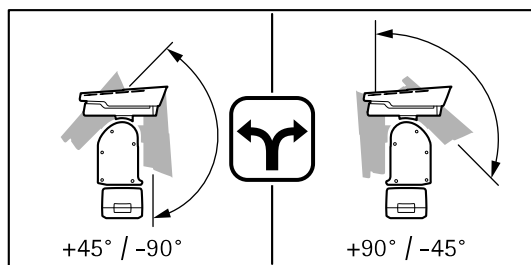


- 1 *Illuminateur (x2)*
- 2 *Support d'illuminateur*
- 3 *Connecteur d'illuminateur (x2)*

Comment installer le produit

Principales tâches d'installation

1. Montage de l'unité de base à la page 65
2. Acheminement des câbles à la page 67
3. Installation de la liaison réseau à la page 72
4. Branchez les câbles à la page 73
5. Installation du kit d'éclairage. Suivez l'une des deux installations :
 - Installer le kit du projecteur (installation par défaut) à la page 75
 - Installation inversée à la page 81, suivie par Installer le kit du projecteur (installation inversée) à la page 84
6. Comment accéder au produit à la page 90
7. Définir la configuration inversée à la page 90
8. Activer le kit d'éclairage à la page 91
9. Installation d'une carte SD (facultatif) à la page 92



⚠ DANGER

Risque de choc électrique. Tous les câbles doivent être hors tension avant d'installer le produit.

⚠ ATTENTION

Les connexions électriques et les installations de conduites doivent être effectuées par un électricien certifié et conformément aux réglementations locales.

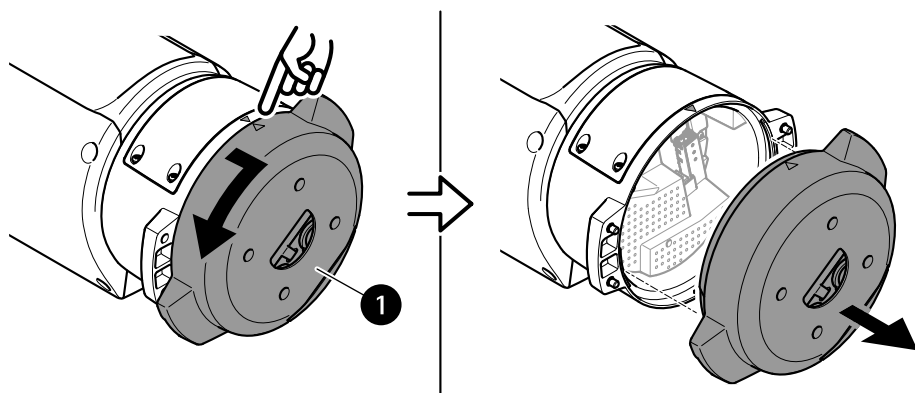
⚠ ATTENTION

⚠ Risques de blessures. Pièces mobiles. Restez à l'écart du produit lorsqu'il est en cours de fonctionnement. Débranchez l'alimentation électrique avant d'installer le produit ou d'effectuer son entretien.

⚠ ATTENTION

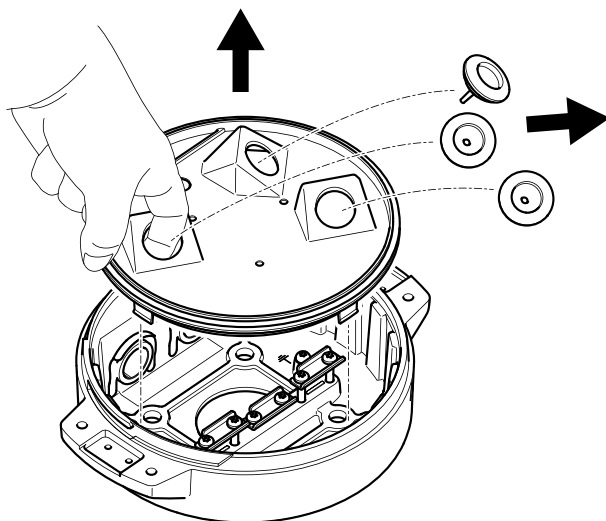
⚠ Risques de blessures. Surfaces chaudes. Ne touchez pas le produit lorsqu'il est en cours de fonctionnement. Débranchez l'alimentation électrique et laissez les surfaces refroidir avant d'effectuer l'entretien du produit.

Montage de l'unité de base



1 Unité de base

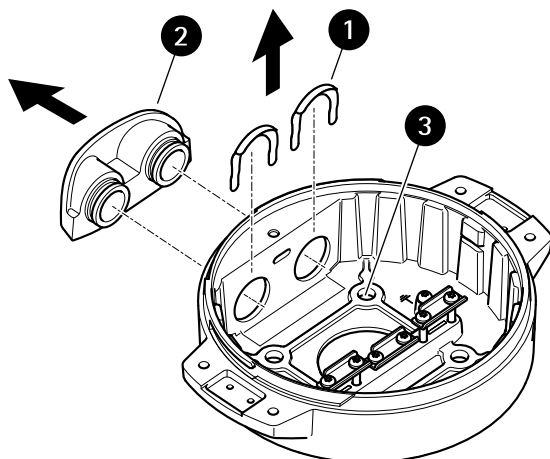
1. Déposer les quatre vis de l'unité (T30).
2. Tirez et tournez simultanément l'unité de base dans le sens anti-horaire jusqu'à ce que les flèches sur l'unité de base et le reste de l'unité de positionnement s'alignent.
3. Déposez l'unité de base.



AVIS

N'utilisez pas d'outils tranchants lorsque vous déposez le couvercle transparent de l'unité de base.

4. Déposez le couvercle transparent de l'unité de base.



- 1 Clip du cache de conduit
- 2 Cache de conduit
- 3 Trou de vis (x4)

5. Pour des installations de conduit uniquement : déposez les deux clips du cache de conduit suivis par le cache du conduit.
6. Fixez l'unité de base à la surface de montage avec les éléments de fixation appropriés dans les quatre trous de vis.

Acheminement des câbles

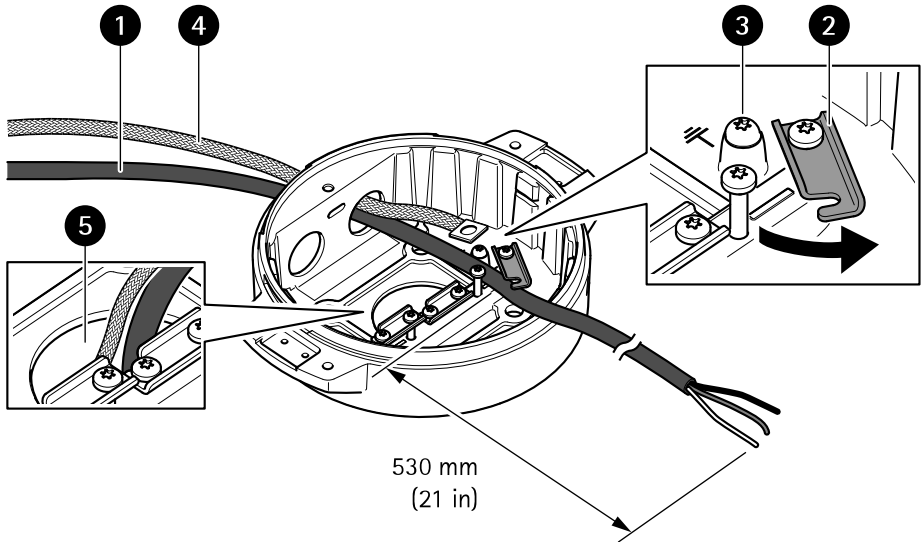
⚠ AVERTISSEMENT

Risque de choc électrique. Le produit doit être mis à la terre à l'aide du câble de mise à la terre de protection du câble d'alimentation et de la tresse de terre. Assurez-vous que les deux extrémités du câble de mise à la terre de protection et la tresse de terre sont en contact avec les surfaces de mise à la terre correspondantes.

Important

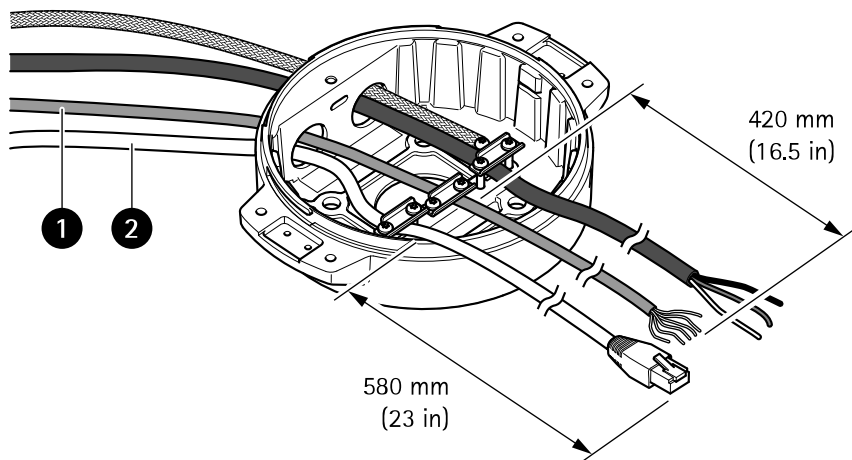
Utilisez uniquement des câbles conformes à la zone spécifiée. Pour en savoir plus, consultez *Épaisseur du câble* à la page 137.

AXIS Q8685-LE PTZ Network Camera



- 1 Câble d'alimentation (non fourni)
- 2 Réducteur de tension
- 3 vis de mise à la terre
- 4 Tresse de terre (non fournie)
- 5 passage du câble inférieur

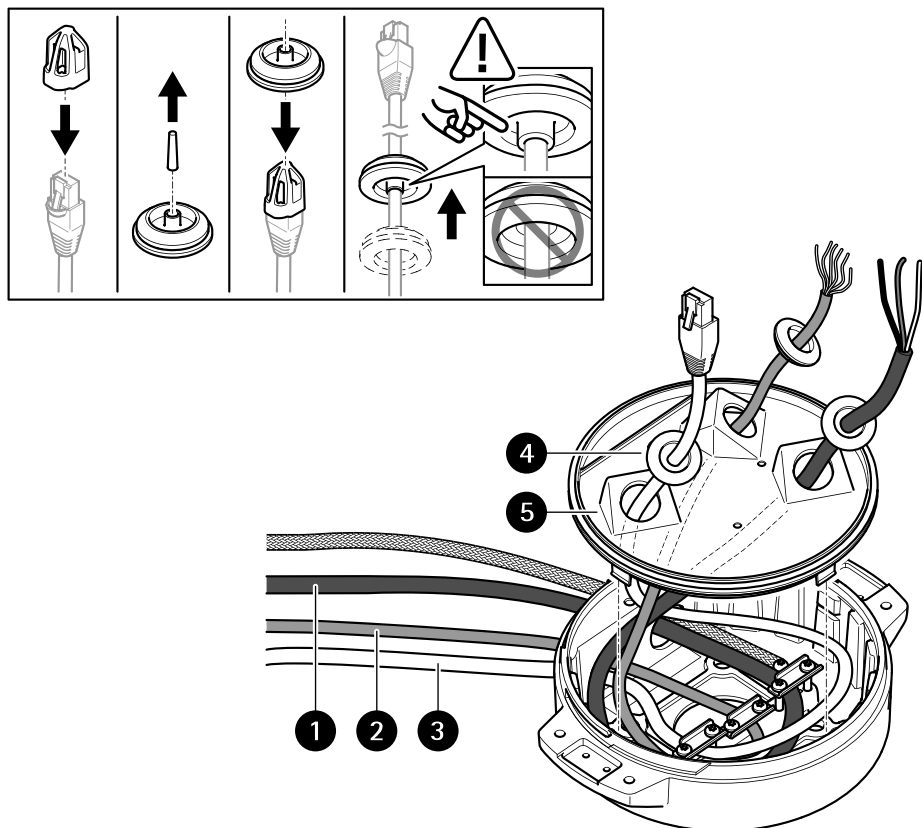
1. Installez les adaptateurs de conduit en option (non fournis).
2. Reliez la tresse de terre à la vis de mise à la terre.
3. Insérez le câble d'alimentation, le câble d'E/S et le câble réseau à travers l'orifice de l'unité de base comme illustré ci-dessus. Vous pouvez aussi les insérer dans l'orifice du câble inférieur.
4. Insérez le câble d'alimentation à travers le réducteur de tension avec une distance de 530 mm (21 po) depuis le réducteur de tension jusqu'à l'extrémité du câble.



- 1 Câble E/S (en option, non fourni)
- 2 Câble réseau (non inclus)

5. Insérez le câble d'E/S (en option) à travers le réducteur de tension avec une distance de 420 mm (16,5 po) depuis le réducteur de tension jusqu'à l'extrémité du câble.
6. Insérez le câble réseau (câble fibre optique et/ou câble RJ45) à travers le réducteur de tension avec une distance de 580 mm (23 po) depuis le réducteur de tension jusqu'à l'extrémité du connecteur. Pour plus d'informations sur les différentes options de connectivité réseau, consultez *Installation de la liaison réseau* à la page 72.
7. Fermez et serrez les trois reliefs de traction.

AXIS Q8685-LE PTZ Network Camera



- 1 Câble d'alimentation (non inclus)
- 2 Câble E/S (en option, non fourni)
- 3 Câble réseau (non inclus)
- 4 Joint de câble
- 5 Couvercle transparent de l'unité de base

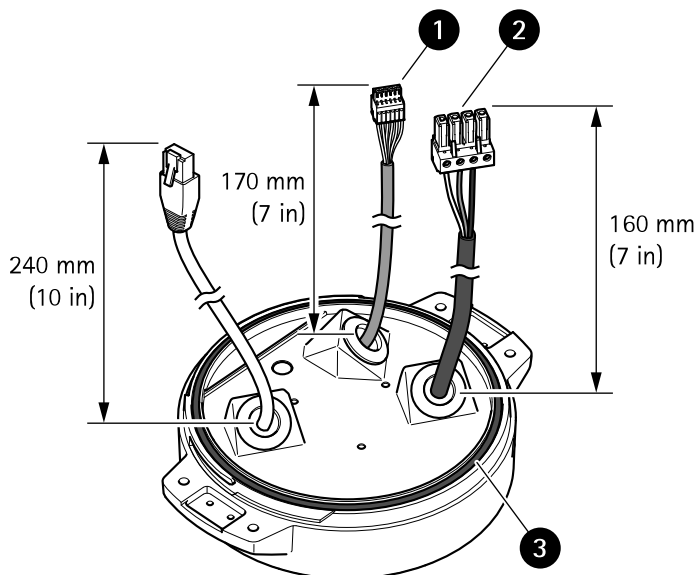
8. Placez les joints sur les câbles. Cf. *Épaisseur du câble à la page 137*.
9. Insérez les câbles d'alimentation, d'E/S et réseau y compris les joints à travers les orifices du couvercle transparent de l'unité de base et disposez les câbles comme illustré ci-dessus.

AVIS

Si vous utilisez un câble à fibre optique et un câble RJ45 pour la connectivité réseau, acheminez le câble à fibre optique à travers le même joint que le câble d'E/S. Appliquez un joint entre les câbles et le joint de câble pour empêcher toute fuite. Pour plus

d'informations sur les différentes options de connectivité réseau, consultez *Installation de la liaison réseau* à la page 72.

10. Placez le couvercle transparent de l'unité de base sur celle-ci et placez les joints dans les orifices.



- 1 Connecteur d'E/S
- 2 Connecteur d'alimentation
- 3 Joint torique

AVIS

Pour ne pas débrancher accidentellement l'unité de l'alimentation électrique si le câble est tiré, le câble de mise à la terre de protection doit être plus long d'environ 10 mm (0,4 po) que les deux autres fils (dans le câble d'alimentation).

Remarque

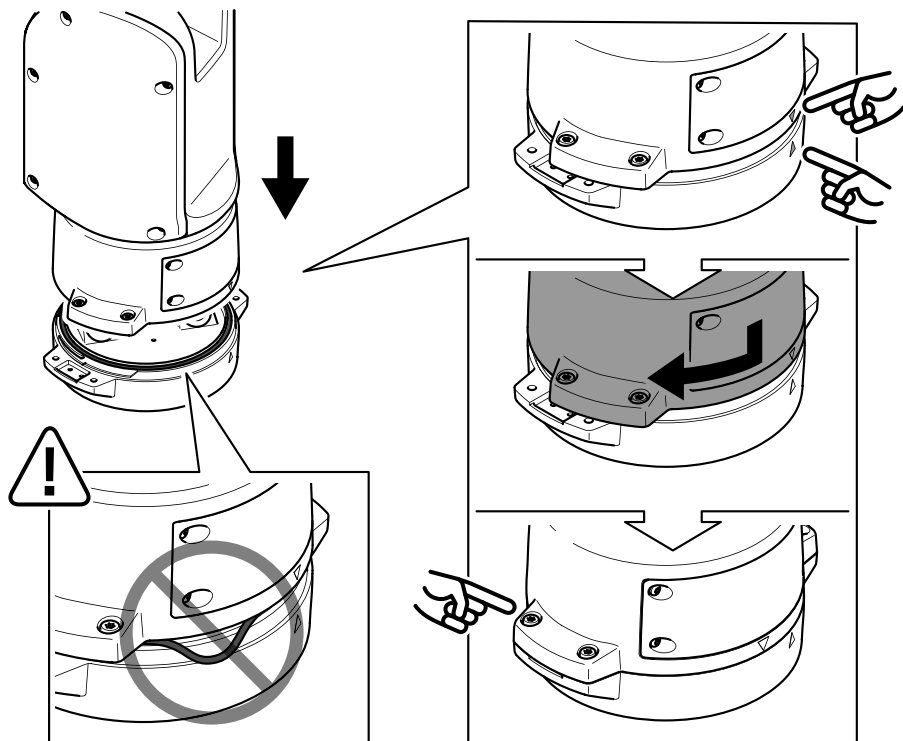
Pour faciliter l'installation, nous vous recommandons de dénuder environ 90 mm (3,5 po) de la gaine du câble d'alimentation et 70 mm (2,8 po) de la gaine de câble d'E/S.

11. Installez les connecteurs d'alimentation et d'E/S.
12. Réglez les câbles réseau, d'E/S et d'alimentation de sorte que la distance depuis le joint du câble jusqu'à l'extrémité du connecteur soit respectivement de 240 mm (10 po), 170 mm (7 po) et 160 mm (7 po).

AXIS Q8685-LE PTZ Network Camera

AVIS

Assurez-vous que les joints toriques sont correctement fixés autour du couvercle transparent de l'unité de base.

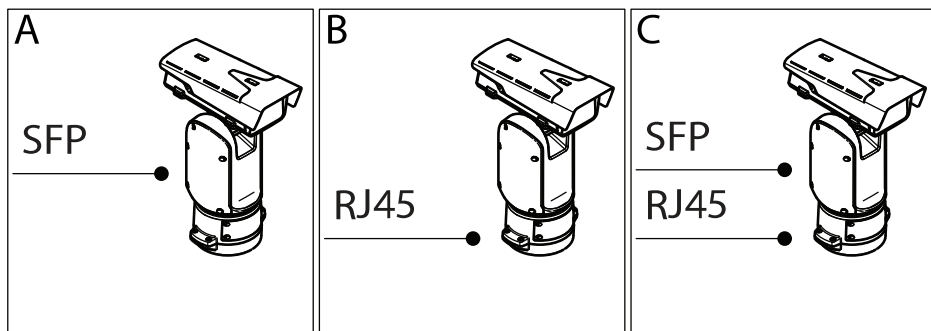


13. Placez l'unité de positionnement sur l'unité de base. Assurez-vous que les flèches des deux unités sont alignées.
14. Tournez l'unité de positionnement dans le sens des aiguilles d'une montre jusqu'à sa position d'origine et serrez les quatre vis de l'unité de base (couple de 3,0 Nm).

AVIS

Assurez-vous de ne pas pincer les câbles lors de l'assemblage des deux unités.

Installation de la liaison réseau



Vous pouvez choisir entre plusieurs options lorsque vous installez la liaison réseau :

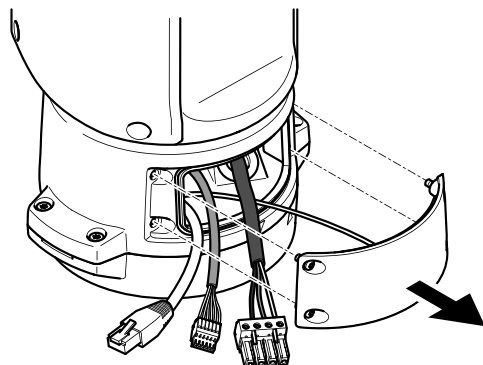
- A : via un câble à fibre optique ou un câble RJ45 raccordé au module SFP (avec connecteur correspondant) sur l'emplacement SFP.
- B : via un câble RJ45 raccordé au connecteur RJ45 fixe.
- C : via les deux solutions ci-dessus, auquel cas la connexion du module SFP fonctionne comme la liaison réseau primaire et la connexion RJ45 fixe fonctionne comme la liaison de secours.

Pour plus d'informations sur les emplacements des connecteurs réseau, voir .

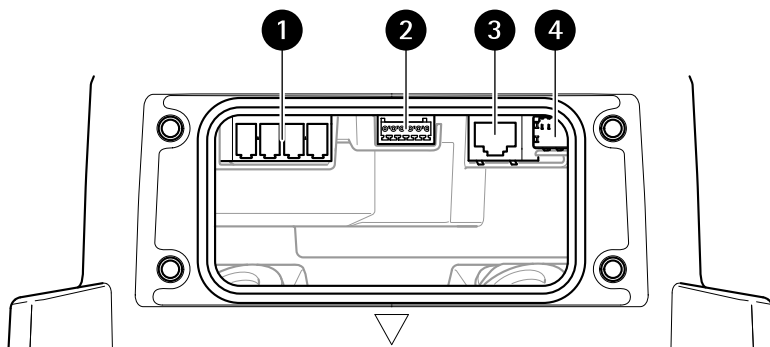
Remarque

- Le module SFP n'est pas fourni. Pour plus d'informations sur les modules SFP, consultez le site axis.com
- Si vous installez une liaison réseau uniquement via le câble à fibre optique à l'aide du module SFP respectif, elle fonctionne comme une solution autonome pour les installations de câblage longue distance.

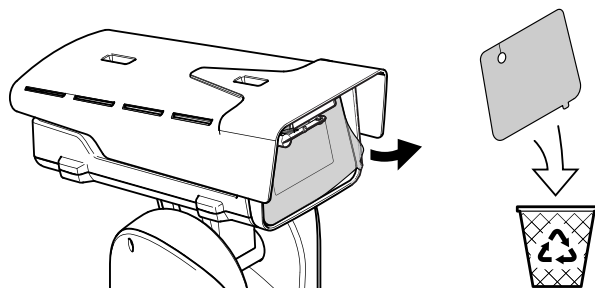
Branchez les câbles



1. Desserrez les quatre vis du couvercle (T20) et retirez le couvercle.



- 1 *Connecteur d'alimentation d'entrée*
 - 2 *Connecteur E/S*
 - 3 *Connecteur RJ45*
 - 4 *Emplacement SFP pour module SFP (module SFP non inclus)*
2. Branchez le câble réseau (fibre optique et/ou RJ45), E/S et d'alimentation. Pour plus d'informations sur les différentes options de connectivité réseau, consultez *Installation de la liaison réseau* à la page 72.
 3. Remettez le couvercle en place et serrez les quatre vis du couvercle (couple de serrage 3,0 Nm).



4. Retirez le couvercle de protection.
5. Mettez le produit sous tension.

Installer le kit du projecteur (installation par défaut)

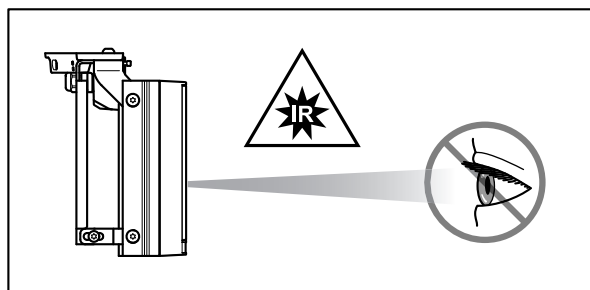
▲AVERTISSEMENT

Risque de choc électrique. Assurez-vous que l'alimentation est débranchée.

▲ATTENTION

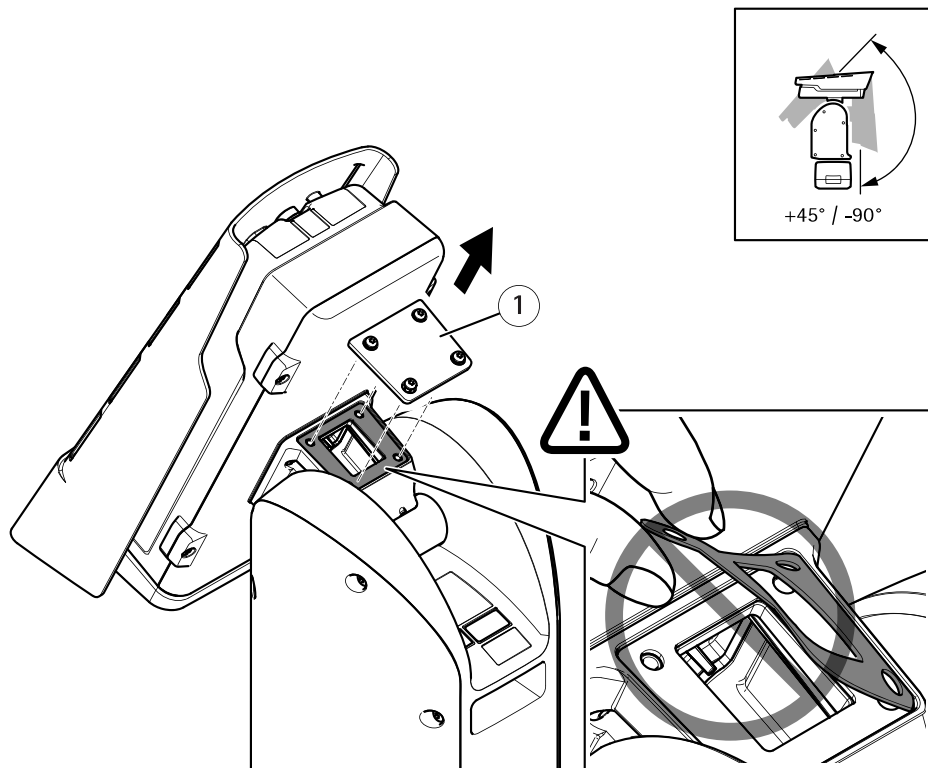
⚠ IR émis par ce produit. Cela peut être nocif pour les yeux. Évitez toute exposition des yeux. Utilisez un écran ou une protection oculaire.

AXIS Q8685-LE PTZ Network Camera



⚠ ATTENTION

En fonctionnement normal, il est possible que la surface d'éclairage atteigne des températures élevées. Évitez tout contact direct et placez l'appareil à un endroit inaccessible au personnel non autorisé. Avant de le toucher, mettez l'éclairage hors tension et laissez-le refroidir pendant au moins 10 minutes.



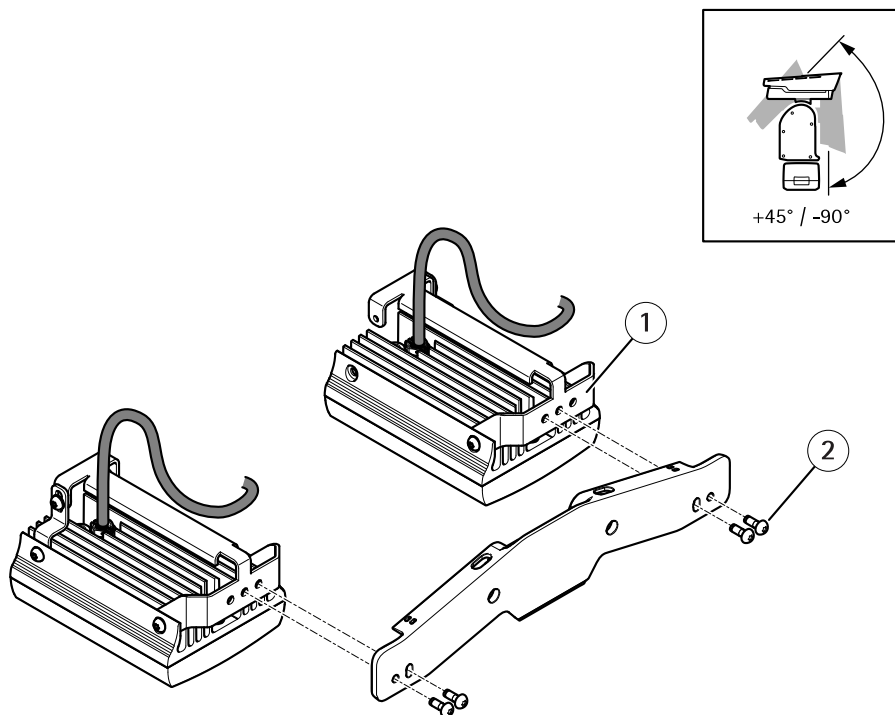
1 Couvercle

1. Retirez les quatre vis du couvercle supérieur (T20) et le couvercle.

Important

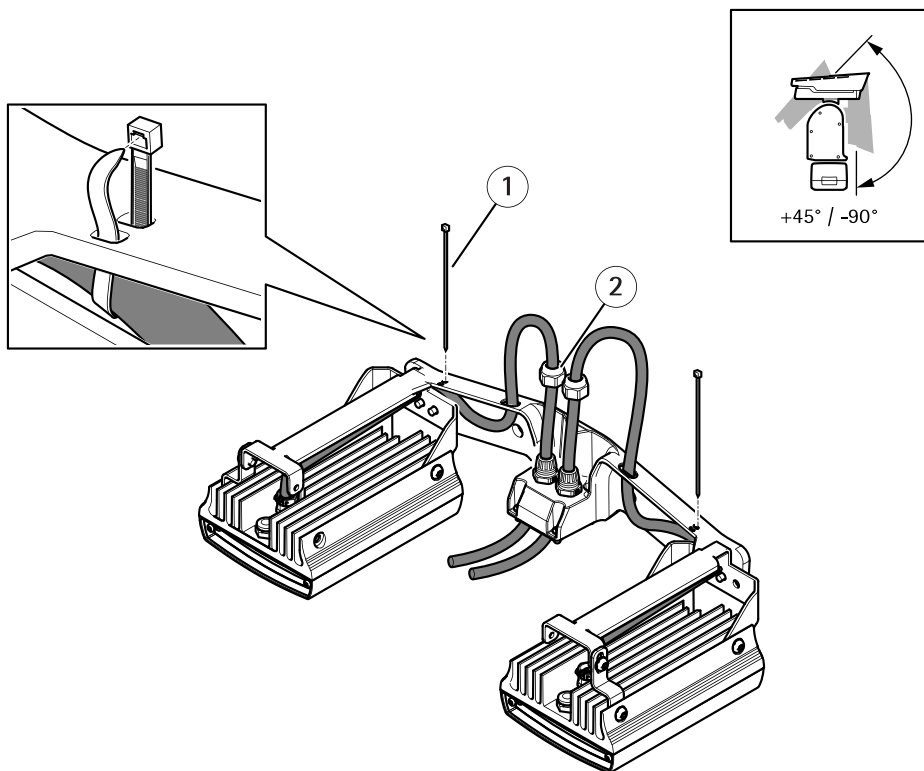
Assurez-vous que le joint sous le couvercle reste en place.

AXIS Q8685-LE PTZ Network Camera



- 1 Projecteur (x2)
- 2 Vis (M6, x4)

2. Fixez les projecteurs au support de projecteur à l'aide des quatre vis.

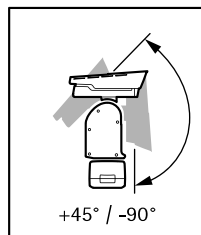
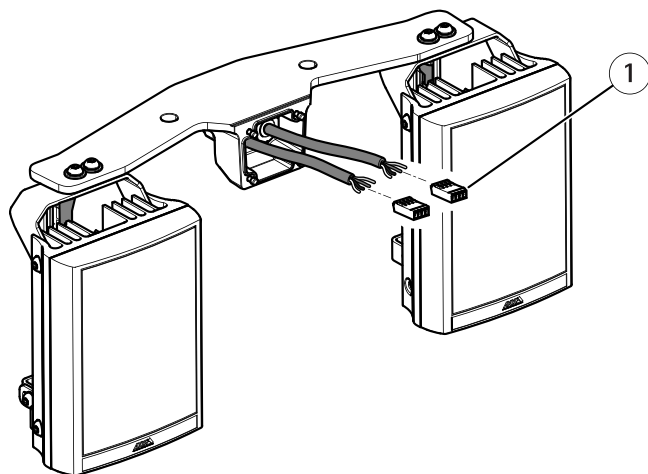


FR

- 1 Frette de câbles (x2)
- 2 Écrou borgne (x2)

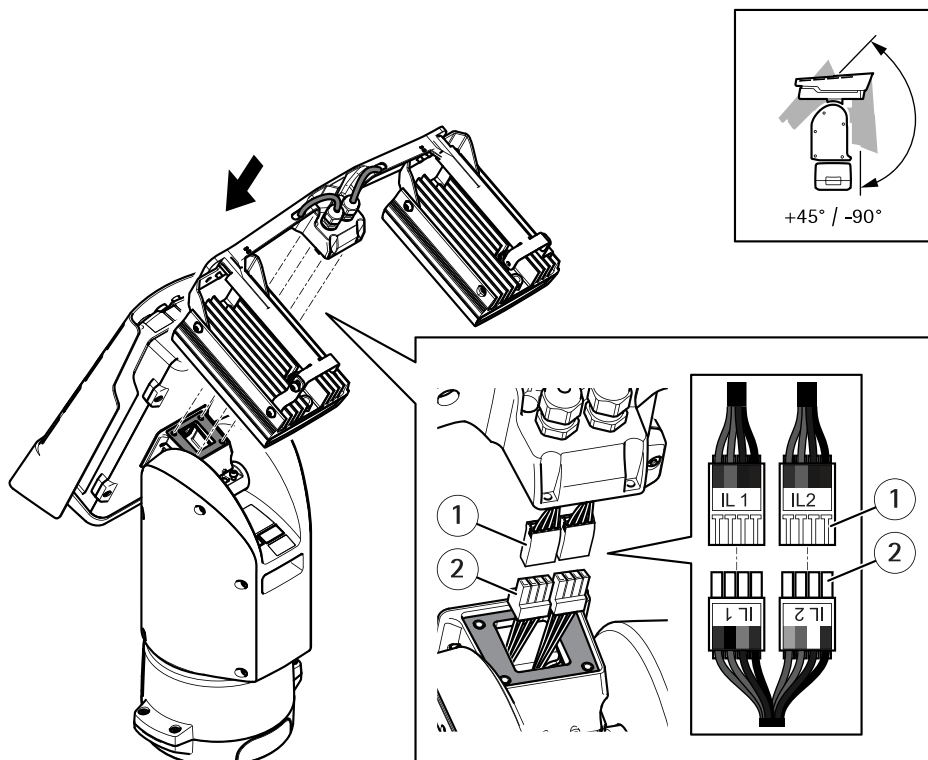
3. Acheminez les câbles comme indiqué dans l'illustration ci-dessus et serrez les écrous borgne (couple de serrage 1,5 Nm).
4. Attachez les câbles au support d'illuminateurs à l'aide des attaches de câble.

AXIS Q8685-LE PTZ Network Camera



1 Connecteur d'illuminateur (x2)

5. Installez les connecteurs. Cf. *Connecteurs* à la page 133.



- 1 Connecteur de l'illuminateur (x2)
- 2 Connecteur de l'unité de positionnement (x2)

6. Branchez les câbles. Consultez *Connecteurs* à la page 133.
7. Fixez le support de l'illuminateur à l'unité de positionnement à l'aide des quatre vis (T20, couple 3 Nm).

Remarque

Pour plus d'informations sur l'utilisation des illuminateurs, reportez-vous au manuel de l'illuminateur LED (vérifiez le modèle sur l'étiquette du produit) et au Manuel de l'utilisateur de votre produit Axis compatible sur www.axis.com

Installation inversée

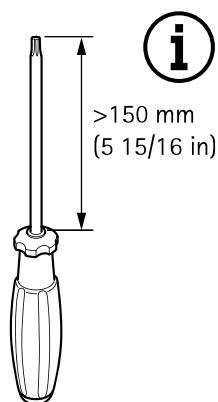
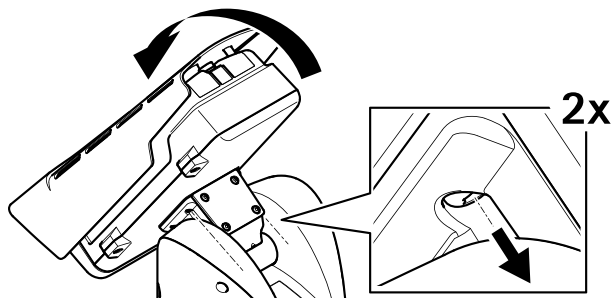
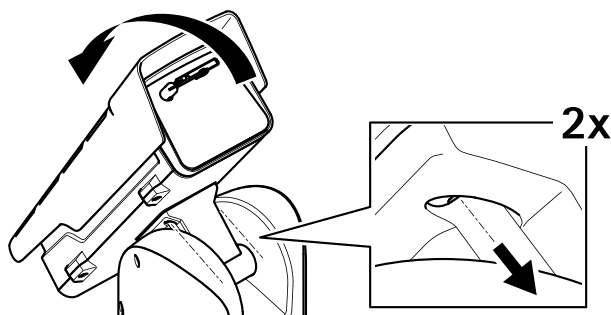
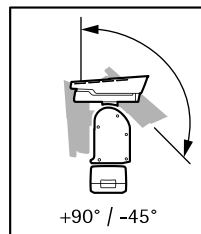
Remarque

Suivez cette procédure pour fixer le couvercle de la caméra dans une configuration inversée, si vous préférez une inclinaison directement vers le haut.

AXIS Q8685-LE PTZ Network Camera

⚠ ATTENTION

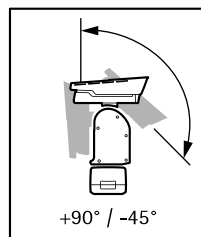
Cette procédure nécessite deux personnes.



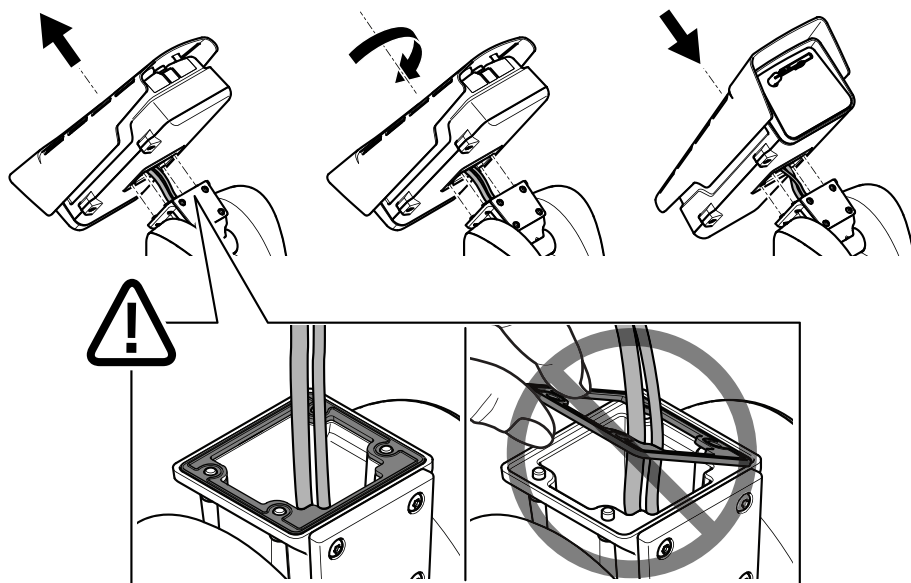
1. Inclinez le couvercle inférieur vers l'arrière dans sa position finale et desserrez les deux vis captives situées à l'avant de l'unité de positionnement (T20).
2. Inclinez le couvercle inférieur vers l'avant dans sa position finale et desserrez les deux vis captives situées à l'arrière de l'unité de positionnement (T20).

AVIS

Pour atteindre les vis de l'unité de positionnement, utilisez un tournevis avec une tige suffisamment longue (voir l'image ci-dessus).



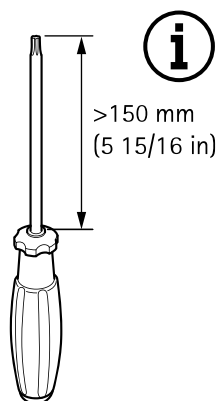
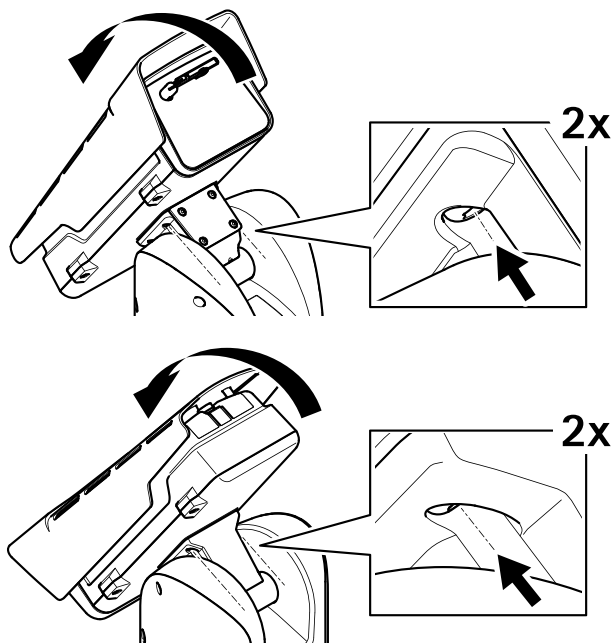
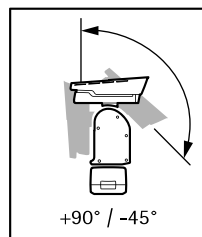
FR



3. Levez la caméra, tournez-la et placez-la sur l'unité de positionnement en position inversée.

Important

Assurez-vous que le joint sous la caméra reste en place.



4. Inclinez le couvercle inférieur vers l'arrière jusqu'à sa position finale et serrez les deux vis avant de l'unité de positionnement (T20, couple 3 Nm).
5. Inclinez le couvercle inférieur vers sa position finale et serrez les deux vis arrière de l'unité de positionnement (T20, couple 3 Nm).

AVIS

Pour atteindre les vis de l'unité de positionnement, utilisez un tournevis avec une tige suffisamment longue (voir l'image ci-dessus).

Installer le kit du projecteur (installation inversée)

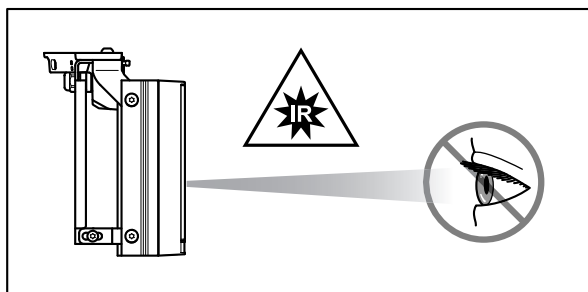
⚠ AVERTISSEMENT

Risque de choc électrique. Assurez-vous que l'alimentation est débranchée.

⚠ATTENTION

⚠ IR émis par ce produit. Cela peut être nocif pour les yeux. Évitez toute exposition des yeux. Utilisez un écran ou une protection oculaire.

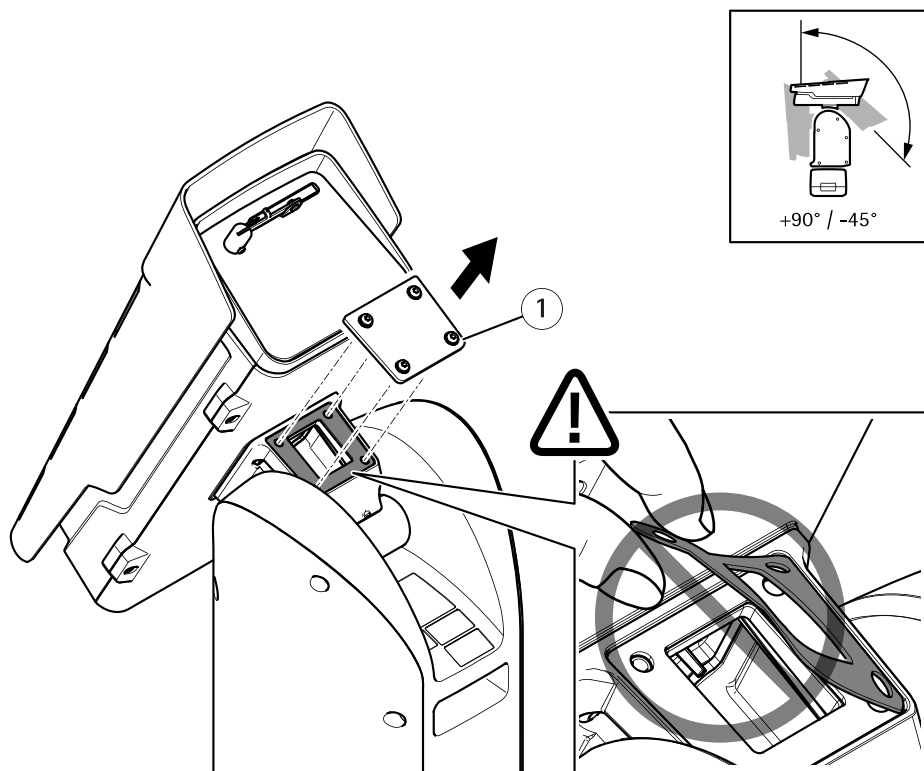
FR



⚠ATTENTION

En fonctionnement normal, il est possible que la surface d'éclairage atteigne des températures élevées. Évitez tout contact direct et placez l'appareil à un endroit inaccessible au personnel non autorisé. Avant de le toucher, mettez l'éclairage hors tension et laissez-le refroidir pendant au moins 10 minutes.

AXIS Q8685-LE PTZ Network Camera

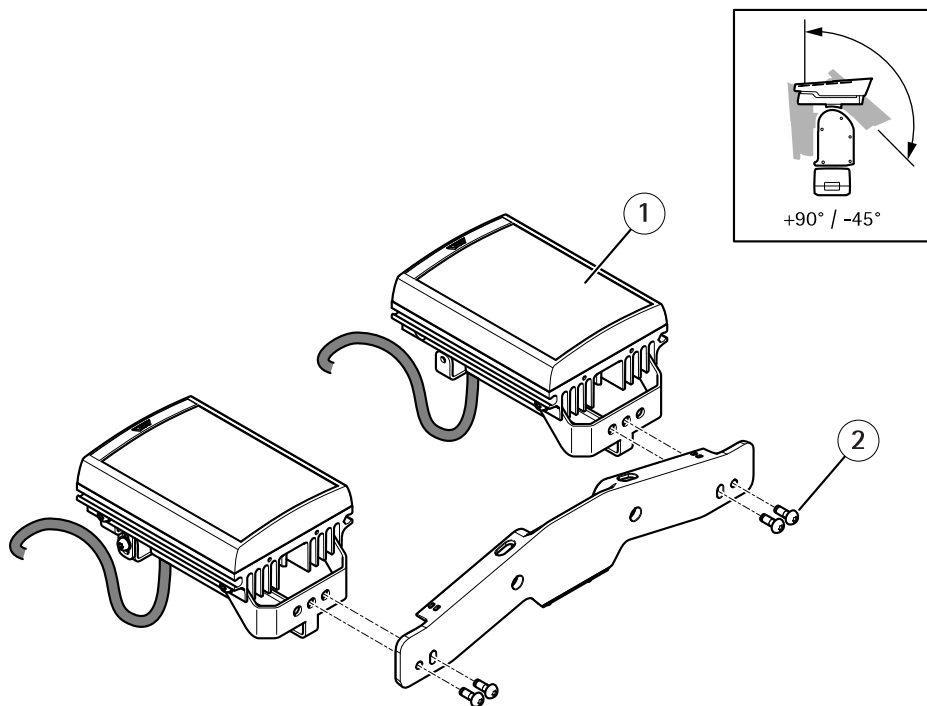


1 Couverture

1. Desserrez les quatre vis captives (T20) sur le couvercle et ôtez le couvercle.

Important

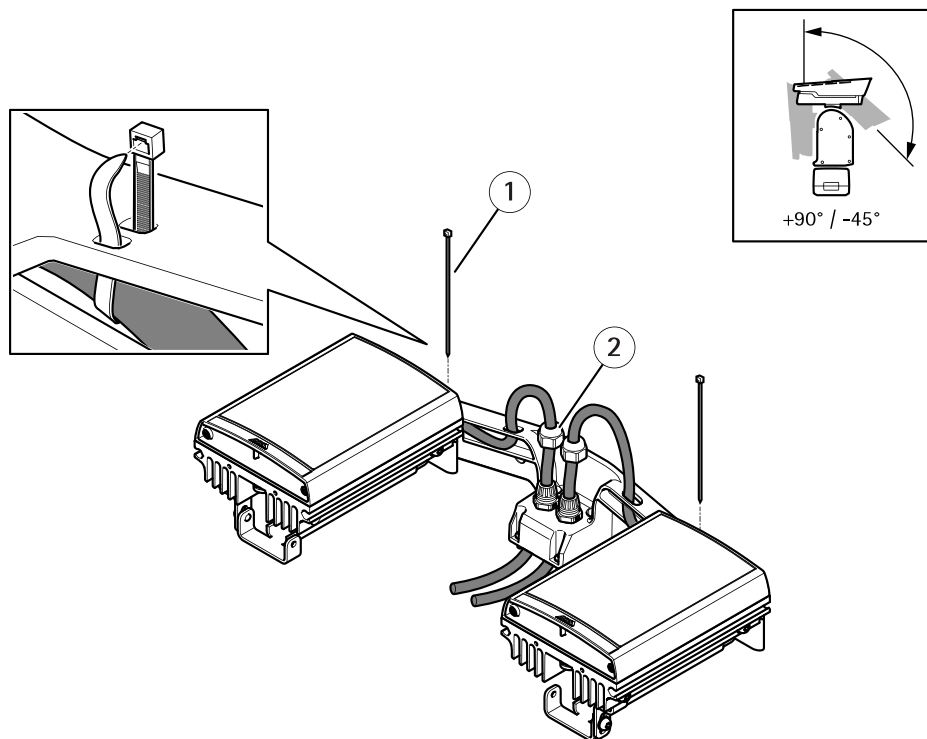
Assurez-vous que le joint sous le couvercle reste en place.



- 1 Projecteur (x2)
- 2 Vis (M6, x4)

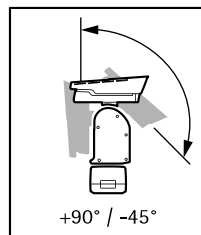
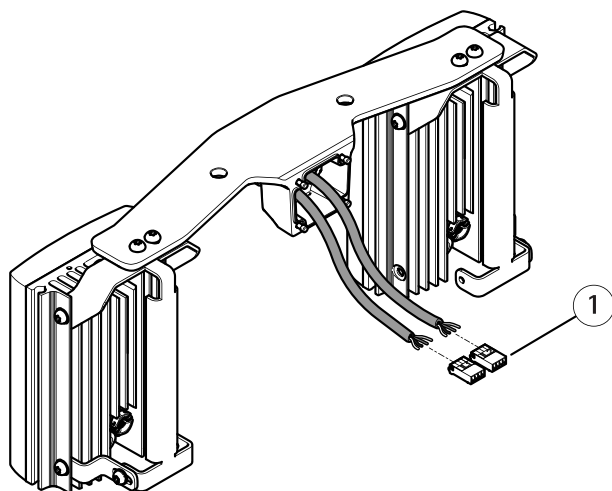
2. Fixez les projecteurs au support de projecteur à l'aide des quatre vis et des rondelles.

AXIS Q8685-LE PTZ Network Camera



- 1 Frette de câbles (x2)
- 2 Écrou borgne (x2)

3. Acheminez les câbles comme indiqué dans l'illustration ci-dessus et serrez les écrous borgnes (couple de serrage 1,5 Nm).
4. Attachez les câbles au support d'illuminateurs à l'aide des attaches de câble.

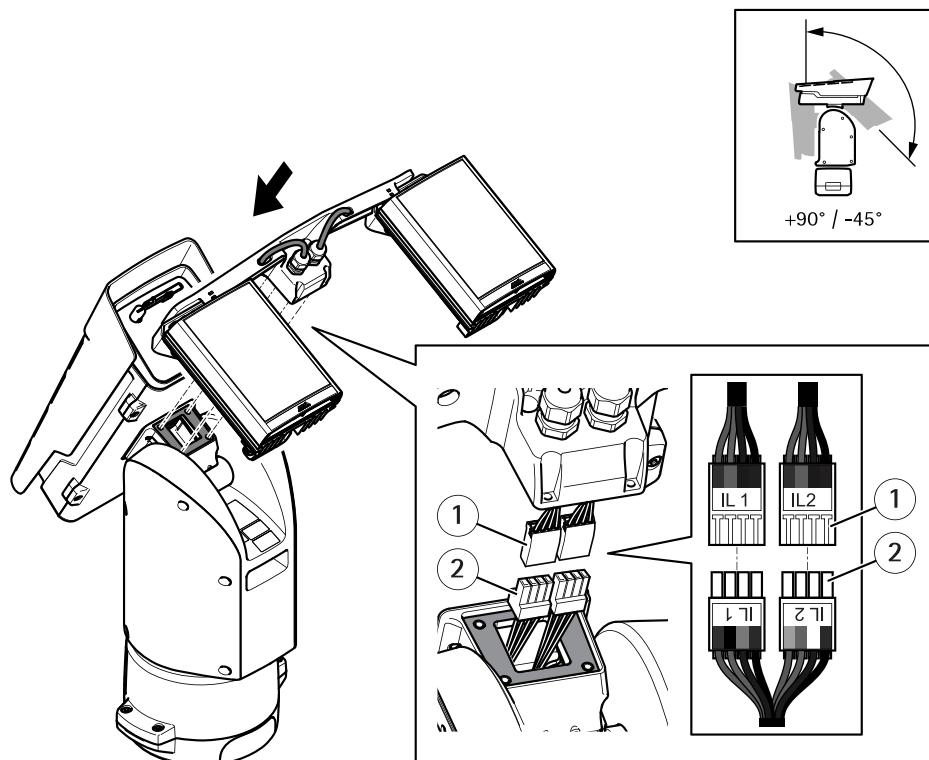


FR

1 Connecteur d'illuminateur (x2)

5. Installez les connecteurs. Cf. *Connecteurs* à la page 133.

AXIS Q8685-LE PTZ Network Camera



- 1 Connecteur de l'illuminateur (x2)
- 2 Connecteur de l'unité de positionnement (x2)

6. Branchez les câbles. Consultez *Connecteurs à la page 133*.
7. Fixez le support de l'illuminateur à l'unité de positionnement à l'aide des quatre vis (T20, couple de serrage 3 Nm).

Comment accéder au produit

Pour trouver les périphériques Axis présents sur le réseau et leur attribuer des adresses IP sous Windows®, utilisez AXIS IP Utility ou AXIS Device Manager. Ces applications sont gratuites et peuvent être téléchargées via axis.com/support

Pour plus d'informations sur l'utilisation du produit, consultez le Manuel de l'utilisateur disponible sur axis.com

Définir la configuration inversée

Remarque

Cette tâche concerne uniquement la configuration inversée.

Important

Ces instructions concernent uniquement les firmwares de périphériques antérieurs à la v8.40.

1. Accédez à la page Web du produit.
2. Cliquez sur **Configuration > Options système > Maintenance** et sur **Défaut**.
3. Patientez pendant que la caméra redémarre.
4. Accédez à la page Web du produit.
5. Allez à **Configuration > PTZ > Avancé > Périphérique > Paramètres spécifiques du pilote étendu pour Source vidéo 1**.
6. Allez à **Configuration du boîtier de la caméra** et sélectionnez **Inversée**.
7. Cliquez sur **Enregistrer**.

Important

Ces instructions concernent uniquement les firmwares de périphériques de la v8.40 ou ultérieurs.

1. Accédez à la page Web du produit.
2. Cliquez sur **Paramètres > Système > Maintenance** et sur **Défaut**.
3. Patientez pendant que la caméra redémarre.
4. Accédez à la page Web du produit.
5. Allez à **Paramètres > Système > Configuration normale > PTZ**.
6. Allez à **Configuration du boîtier de la caméra** et sélectionnez **Inversée**.
7. Cliquez sur **Enregistrer**.

Activer le kit d'éclairage

Important

Ces instructions concernent uniquement les firmwares de périphériques antérieurs à la v8.40.

1. Accédez à la page Web du produit.
2. Allez à **Configuration > PTZ > Avancé > Périphérique > Paramètres spécifiques du pilote étendu pour Source vidéo 1**.
3. Pour **Éclairage > type IL1** :
 - Sélectionnez **IR** si vous avez connecté un éclairage infrarouge
 - Sélectionnez **Blanc** pour un éclairage à lumière blanche
4. Répétez l'étape ci-dessus pour **Éclairage > Type IL2**.

Important

Ces instructions concernent uniquement les firmware de périphériques de la v8.40 ou ultérieurs.

1. Accédez à la page Web du produit.
2. Accédez à **Paramètres > Systèmes > Accessoires**.
3. Pour **Éclairage > type IL1** :
 - Sélectionnez **IR** si vous avez connecté un éclairage infrarouge
 - Sélectionnez **Blanc** pour un éclairage à lumière blanche
4. Répétez l'étape ci-dessus pour **Éclairage > Type IL2**.


Installation d'une carte SD (facultatif)

Une carte SD standard ou à haute capacité (non fournie) peut être utilisée pour sauvegarder des enregistrements dans l'appareil. Consultez *Specifications à la page 133* avant d'installer la carte SD.


1. Débranchez le produit du secteur.
2. Retirez les quatre vis du couvercle supérieur et le couvercle supérieur.
3. Insérez une carte SD dans la fente pour carte SD ; pour en savoir plus consultez *Présentation du matériel à la page 62* .
4. Remplacez le cache supérieur, puis serrez les vis (couple de serrage 3,0 Nm).
5. Remettez le produit sous tension.

Réinitialiser les paramètres par défaut

⚠ATTENTION

 Risques de blessures. Pièces mobiles. Restez à l'écart du produit lorsqu'il est en cours de fonctionnement. Débranchez l'alimentation électrique avant d'installer le produit ou d'effectuer son entretien.

⚠ATTENTION

 Risques de blessures. Surfaces chaudes. Ne touchez pas le produit lorsqu'il est en cours de fonctionnement. Débranchez l'alimentation électrique et laissez les surfaces refroidir avant d'effectuer l'entretien du produit.

Important

La réinitialisation des paramètres par défaut doit être effectuée avec précaution. Cette opération reconfigure tous les paramètres, y compris l'adresse IP, aux valeurs d'usine par défaut.

Remarque

Les logiciels d'installation et de gestion sont disponibles sur les pages d'assistance du site www.axis.com/support/downloads

Pour réinitialiser les paramètres par défaut du produit :

1. Débranchez le produit du secteur.
2. Retirez les quatre vis du couvercle supérieur et le couvercle supérieur.
3. Changez la position du commutateur par défaut, consultez pour ce faire *Présentation du matériel* à la page 62.
4. Remplacez le couvercle supérieur et serrez les vis (couple de 3 Nm).
5. Remettez le produit sous tension.

Il est également possible de rétablir les paramètres d'usine à partir de l'interface Web.

Informations supplémentaires

- Le guide d'installation et le manuel d'utilisation du périphérique sont disponibles sur axis.com.
- Pour vérifier s'il existe une version de firmware mise à jour pour votre périphérique, consultez axis.com/support.
- Pour en savoir plus sur les formations, les webinaires, les tutoriels et les guides, visitez le site axis.com/academy.

Accessoires en option

Pour une liste complète des accessoires disponibles pour ce produit, accédez à la page du produit sur axis.com et sélectionnez Logiciel et accessoires.

Informations sur la garantie

Pour plus d'informations sur la garantie du produit Axis et des informations connexes, rendez-vous sur axis.com/warranty.

Informations sur la sécurité

Niveaux de risques

▲DANGER

Indique une situation dangereuse qui, si elle n'est pas évitée, entraînera le décès ou des blessures graves.

▲AVERTISSEMENT

Indique une situation dangereuse qui, si elle n'est pas évitée, pourrait entraîner le décès ou des blessures graves.

▲ATTENTION

Indique une situation dangereuse qui, si elle n'est pas évitée, pourrait entraîner des blessures légères ou modérées.

AVIS

Indique une situation qui, si elle n'est pas évitée, pourrait endommager l'appareil.

Autres niveaux de message

Important

Indique les informations importantes, nécessaires pour assurer le bon fonctionnement de l'appareil.

Remarque

Indique les informations utiles qui permettront d'obtenir le fonctionnement optimal de l'appareil.

Consignes de sécurité


⚠ DANGER

Risque de choc électrique. Tous les câbles doivent être mis hors tension avant l'installation ou une intervention de maintenance sur le produit.


⚠ AVERTISSEMENT

Le produit Axis doit être installé par un professionnel qualifié et conformément aux lois et réglementations locales en vigueur.


⚠ ATTENTION

 IR émis par ce produit. Cela peut être nocif pour les yeux. Évitez toute exposition des yeux. Utilisez un écran ou une protection oculaire.

⚠ ATTENTION

 Pièces mobiles. Risque de blessure. Restez à l'écart du produit lorsqu'il est fonctionnant. Débranchez l'alimentation électrique avant d'installer le produit ou d'effectuer son entretien.

⚠ ATTENTION

 Surfaces chaudes. Risque de blessure. Ne touchez pas le produit lorsqu'il est en cours de fonctionnement. Débranchez l'alimentation électrique et laissez les surfaces refroidir avant d'effectuer l'entretien du produit.

AVIS

- Le produit Axis doit être utilisé conformément aux lois et règlements locaux.
- Conserver ce produit Axis dans un environnement sec et ventilé.
- Ne pas exposer ce produit Axis aux chocs ou aux fortes pressions.
- Ne pas installer ce produit sur des poteaux, supports, surfaces ou murs instables.
- Utiliser uniquement des outils recommandés pour l'installation de l'appareil Axis. L'application d'une force excessive sur l'appareil avec des outils puissants pourrait l'endommager.
- Ne pas utiliser de produits chimiques, de substances caustiques ou de nettoyeurs pressurisés.
- Utiliser un chiffon propre imbibé d'eau pure pour le nettoyage.
- Utiliser uniquement des accessoires conformes aux caractéristiques techniques de votre produit. Ils peuvent être fournis par Axis ou un tiers. Axis recommande d'utiliser un équipement d'alimentation Axis compatible avec votre produit.
- Utiliser uniquement les pièces de rechange fournies ou recommandées par Axis.
- Ne pas essayer de réparer vous-même ce produit. Contacter l'assistance technique d'Axis ou votre revendeur Axis pour des problèmes liés à l'entretien.
- Évitez de pointer l'objectif de la caméra vers le soleil ou toute autre source de radiation de haute intensité. Cela risque d'endommager la caméra.

- Utilisez un câble de mise à la terre de couleur jaune/vert d'au moins 0,5 mm² ou 20 AWG.

Transport

AVIS

- Lors du transport du produit Axis, utilisez l'emballage d'origine ou un équivalent pour éviter d'endommager le produit.

FR

Batterie

Le produit Axis utilise une batterie au lithium BR2032 3,0 V comme alimentation de son horloge en temps réel interne (RTC). Dans des conditions normales, cette batterie a une durée de vie minimale de cinq ans.

⚠ATTENTION

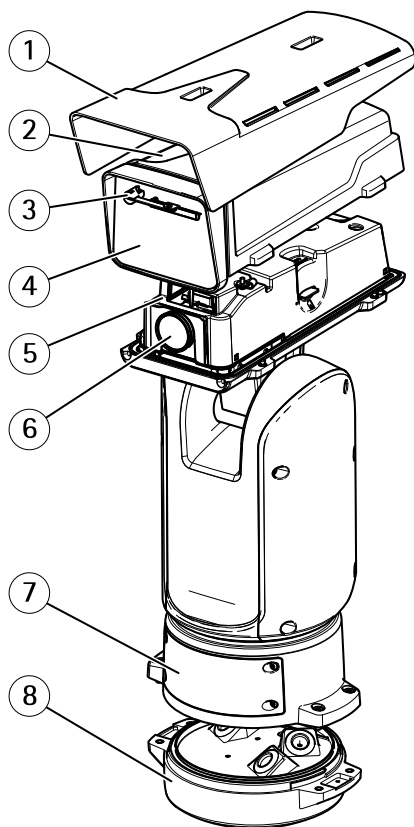
Ne remplacez pas la batterie vous-même. Contactez le support Axis si le message du journal demande un changement de batterie.

Les piles boutons 3,0 V au lithium contiennent du 1,2-diméthoxyéthane, éthylène glycol diméthyl éther (EGDME), CAS n° 110-71-4.

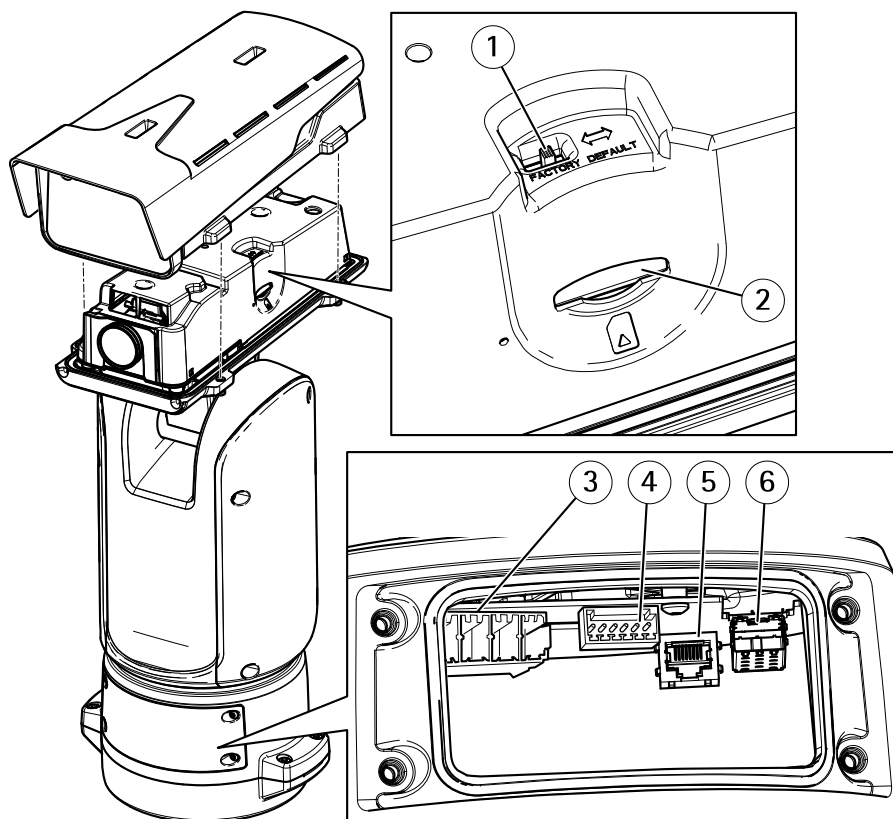
Contenu de l'emballage

- Caméra réseau PTZ AXIS Q8685-LE
- Kit d'éclairage infrarouge PT IR AXIS
- Connecteur d'alimentation
- Connecteur E/S
- Torx® embout T20 et T30
- Documents imprimés
 - Guide d'installation (ce document)
 - Étiquette supplémentaire de numéro de série (x2)
 - Clé d'authentification AVHS

Présentation du matériel

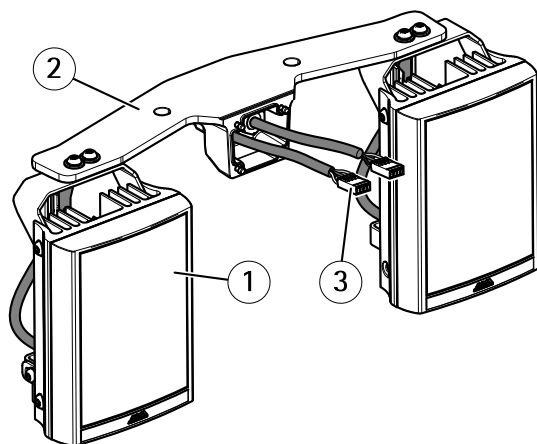


- 1 Pare-soleil
- 2 Couvercle supérieur
- 3 Essuyage
- 4 Fenêtre avant
- 5 Couvercle interne
- 6 Objectif
- 7 Opercule
- 8 Unité de base



- 1 Commutateur valeurs par défaut
- 2 Logement pour carte mémoire SD
- 3 Connecteur d'alimentation d'entrée
- 4 Connecteur E/S
- 5 Connecteur RJ45
- 6 Emplacement SFP pour module SFP (module SFP non inclus)

AXIS Q8685-LE PTZ Network Camera

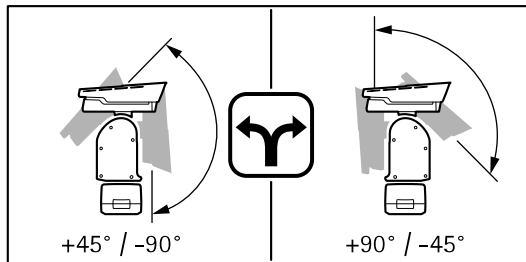


- 1 *Illuminateur (x2)*
- 2 *Support d'illuminateur*
- 3 *Connecteur d'illuminateur (x2)*

Comment installer le produit

Principales tâches d'installation

1. Montage de l'unité de base à la page 65
2. Acheminement des câbles à la page 67
3. Installation de la liaison réseau à la page 72
4. Branchez les câbles à la page 73
5. Installation du kit d'éclairage. Suivez l'une des deux installations :
 - Installer le kit du projecteur (installation par défaut) à la page 75
 - Installation inversée à la page 81, suivie par Installer le kit du projecteur (installation inversée) à la page 84
6. Comment accéder au produit à la page 90
7. Définir la configuration inversée à la page 90
8. Activer le kit d'éclairage à la page 91
9. Installation d'une carte SD (facultatif) à la page 92




▲ DANGER

Risque de choc électrique. Tous les câbles doivent être hors tension avant d'installer le produit.


▲ ATTENTION

Les connexions électriques et les installations de conduites doivent être effectuées par un électricien certifié et conformément aux réglementations locales.

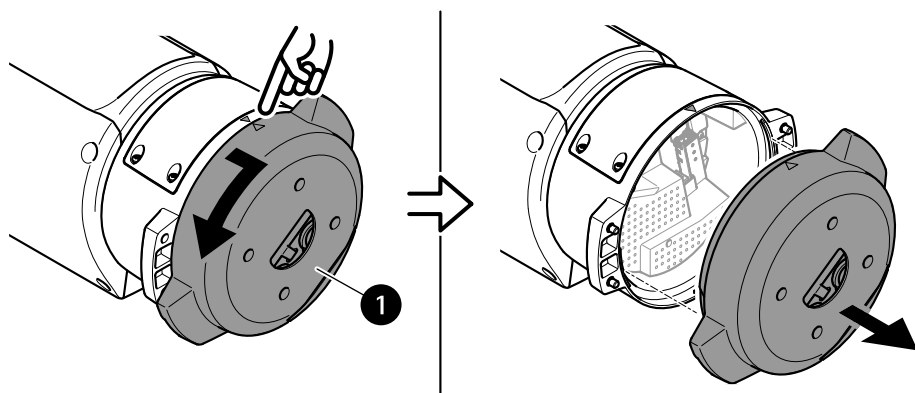
▲ ATTENTION

 Risques de blessures. Pièces mobiles. Restez à l'écart du produit lorsqu'il est en cours de fonctionnement. Débranchez l'alimentation électrique avant d'installer le produit ou d'effectuer son entretien.

▲ ATTENTION

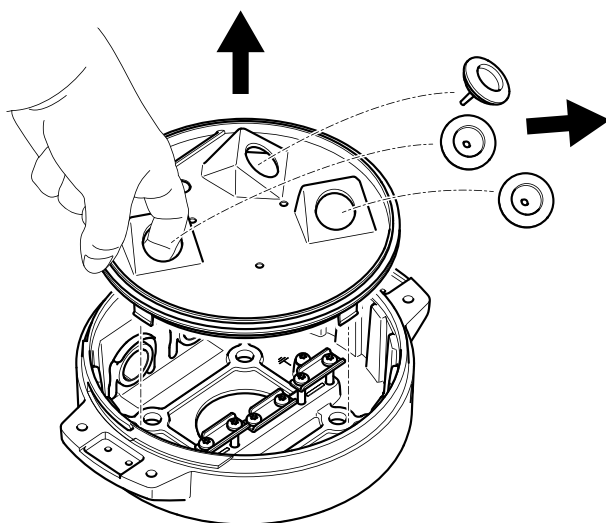
 Risques de blessures. Surfaces chaudes. Ne touchez pas le produit lorsqu'il est en cours de fonctionnement. Débranchez l'alimentation électrique et laissez les surfaces refroidir avant d'effectuer l'entretien du produit.

Montage de l'unité de base



1 Unité de base

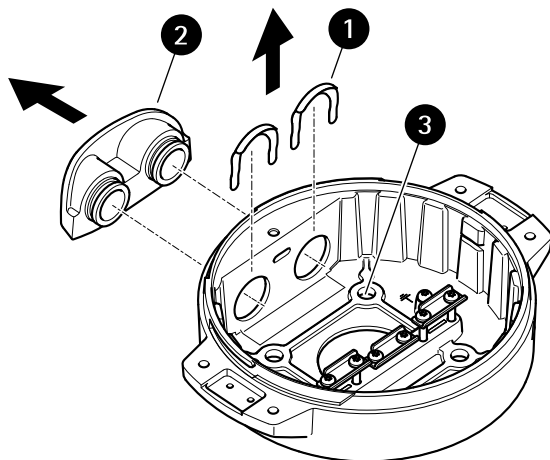
1. Déposer les quatre vis de l'unité (T30).
2. Tirez et tournez simultanément l'unité de base dans le sens anti-horaire jusqu'à ce que les flèches sur l'unité de base et le reste de l'unité de positionnement s'alignent.
3. Déposez l'unité de base.



AVIS

N'utilisez pas d'outils tranchants lorsque vous déposez le couvercle transparent de l'unité de base.

4. Déposez le couvercle transparent de l'unité de base.



- 1 Clip du cache de conduit
- 2 Cache de conduit
- 3 Trou de vis (x4)

5. Pour des installations de conduit uniquement : déposez les deux clips du cache de conduit suivis par le cache du conduit.
6. Fixez l'unité de base à la surface de montage avec les éléments de fixation appropriés dans les quatre trous de vis.

Acheminement des câbles

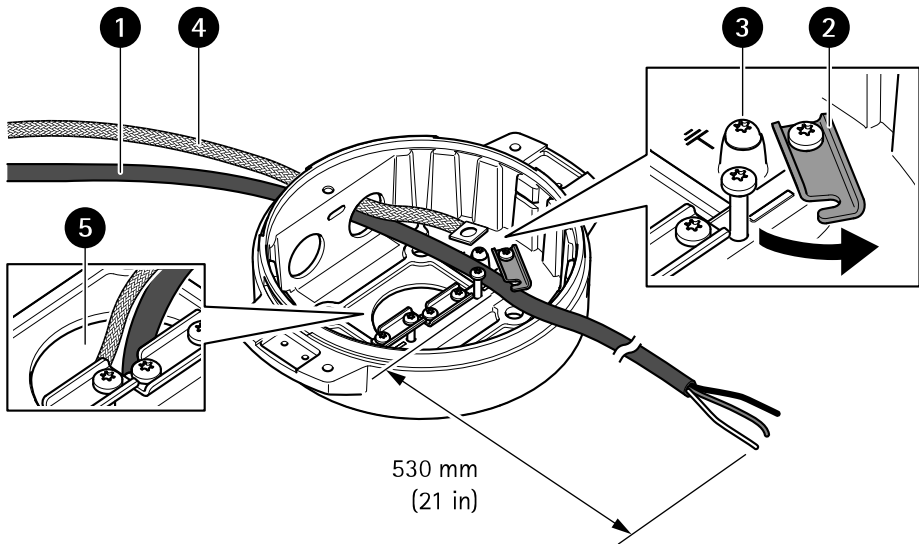
⚠ AVERTISSEMENT

Risque de choc électrique. Le produit doit être mis à la terre à l'aide du câble de mise à la terre de protection du câble d'alimentation et de la tresse de terre. Assurez-vous que les deux extrémités du câble de mise à la terre de protection et la tresse de terre sont en contact avec les surfaces de mise à la terre correspondantes.

Important

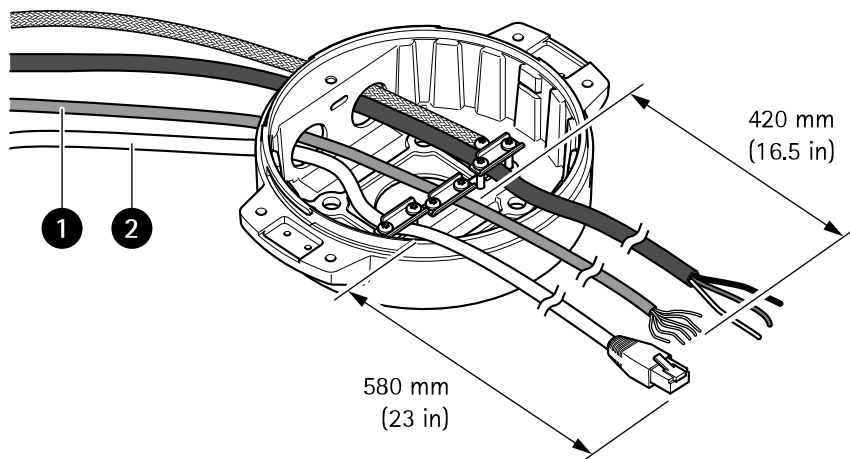
Utilisez uniquement des câbles conformes à la zone spécifiée. Pour en savoir plus, consultez *Épaisseur du câble* à la page 137.

AXIS Q8685-LE PTZ Network Camera



- 1 Câble d'alimentation (non fourni)
- 2 Réducteur de tension
- 3 vis de mise à la terre
- 4 Tresse de terre (non fournie)
- 5 passage du câble inférieur

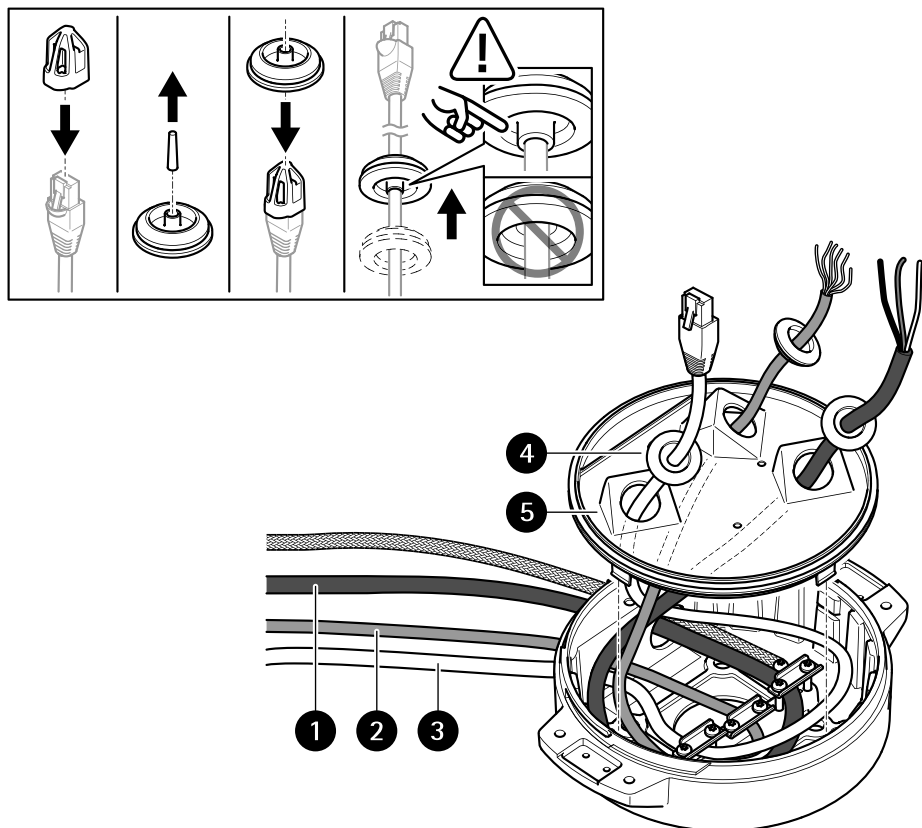
1. Installez les adaptateurs de conduit en option (non fournis).
2. Reliez la tresse de terre à la vis de mise à la terre.
3. Insérez le câble d'alimentation, le câble d'E/S et le câble réseau à travers l'orifice de l'unité de base comme illustré ci-dessus. Vous pouvez aussi les insérer dans l'orifice du câble inférieur.
4. Insérez le câble d'alimentation à travers le réducteur de tension avec une distance de 530 mm (21 po) depuis le réducteur de tension jusqu'à l'extrémité du câble.



- 1 Câble E/S (en option, non fourni)
- 2 Câble réseau (non inclus)

5. Insérez le câble d'E/S (en option) à travers le réducteur de tension avec une distance de 420 mm (16,5 po) depuis le réducteur de tension jusqu'à l'extrémité du câble.
6. Insérez le câble réseau (câble fibre optique et/ou câble RJ45) à travers le réducteur de tension avec une distance de 580 mm (23 po) depuis le réducteur de tension jusqu'à l'extrémité du connecteur. Pour plus d'informations sur les différentes options de connectivité réseau, consultez *Installation de la liaison réseau* à la page 72.
7. Fermez et serrez les trois reliefs de traction.

AXIS Q8685-LE PTZ Network Camera



- 1 Câble d'alimentation (non inclus)
- 2 Câble E/S (en option, non fourni)
- 3 Câble réseau (non inclus)
- 4 Joint de câble
- 5 Couvercle transparent de l'unité de base

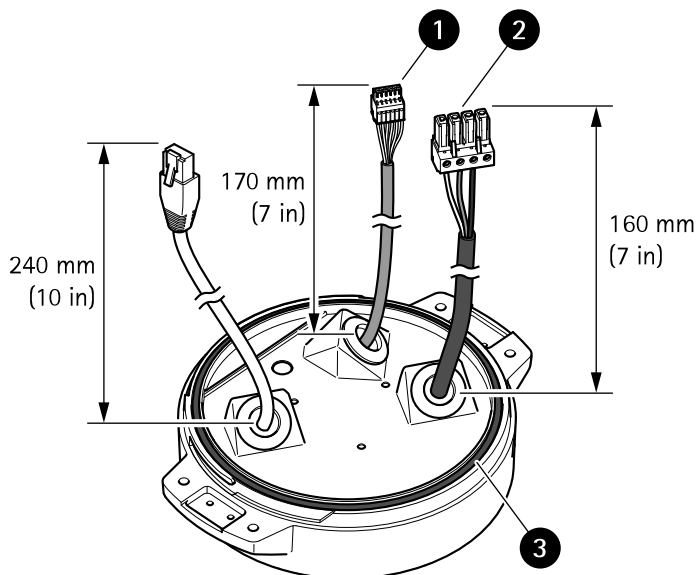
8. Placez les joints sur les câbles. Cf. *Épaisseur du câble à la page 137.*
9. Insérez les câbles d'alimentation, d'E/S et réseau y compris les joints à travers les orifices du couvercle transparent de l'unité de base et disposez les câbles comme illustré ci-dessus.

AVIS

Si vous utilisez un câble à fibre optique et un câble RJ45 pour la connectivité réseau, acheminez le câble à fibre optique à travers le même joint que le câble d'E/S. Appliquez un joint entre les câbles et le joint de câble pour empêcher toute fuite. Pour plus

d'informations sur les différentes options de connectivité réseau, consultez *Installation de la liaison réseau* à la page 72.

10. Placez le couvercle transparent de l'unité de base sur celle-ci et placez les joints dans les orifices.



- 1 Connecteur d'E/S
- 2 Connecteur d'alimentation
- 3 Joint torique

AVIS

Pour ne pas débrancher accidentellement l'unité de l'alimentation électrique si le câble est tiré, le câble de mise à la terre de protection doit être plus long d'environ 10 mm (0,4 po) que les deux autres fils (dans le câble d'alimentation).

Remarque

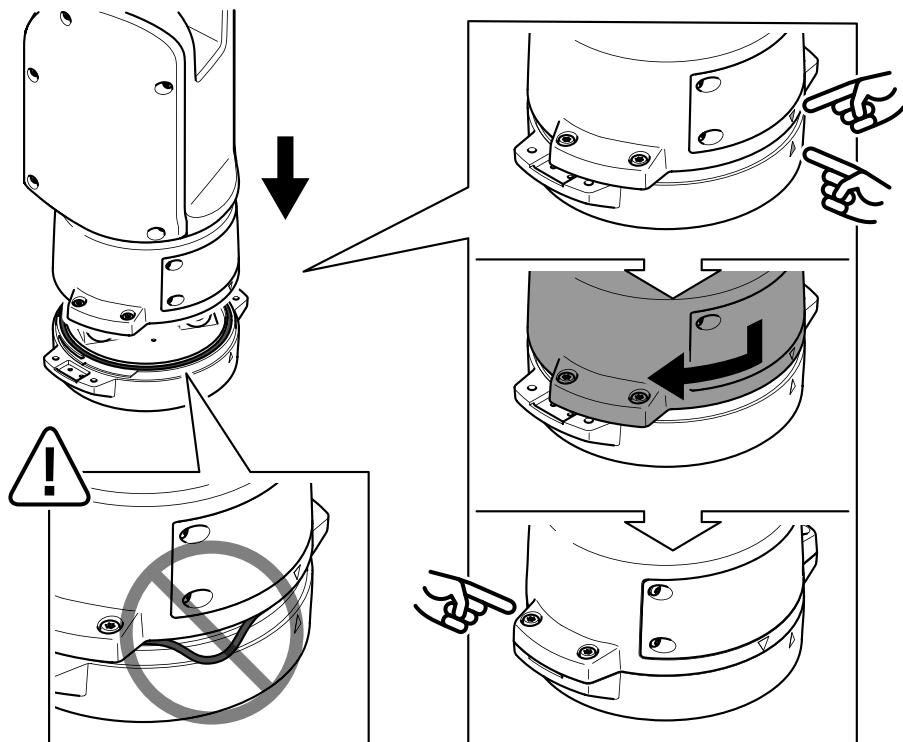
Pour faciliter l'installation, nous vous recommandons de dénuder environ 90 mm (3,5 po) de la gaine du câble d'alimentation et 70 mm (2,8 po) de la gaine de câble d'E/S.

11. Installez les connecteurs d'alimentation et d'E/S.
12. Réglez les câbles réseau, d'E/S et d'alimentation de sorte que la distance depuis le joint du câble jusqu'à l'extrémité du connecteur soit respectivement de 240 mm (10 po), 170 mm (7 po) et 160 mm (7 po).

AXIS Q8685-LE PTZ Network Camera

AVIS

Assurez-vous que les joints toriques sont correctement fixés autour du couvercle transparent de l'unité de base.

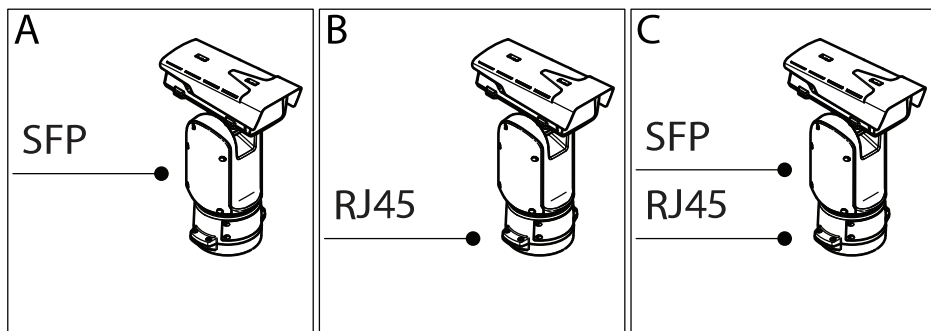


13. Placez l'unité de positionnement sur l'unité de base. Assurez-vous que les flèches des deux unités sont alignées.
14. Tournez l'unité de positionnement dans le sens des aiguilles d'une montre jusqu'à sa position d'origine et serrez les quatre vis de l'unité de base (couple de 3,0 Nm).

AVIS

Assurez-vous de ne pas pincer les câbles lors de l'assemblage des deux unités.

Installation de la liaison réseau



FR

Vous pouvez choisir entre plusieurs options lorsque vous installez la liaison réseau :

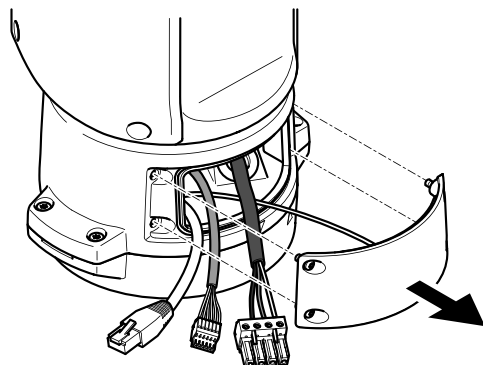
- A : via un câble à fibre optique ou un câble RJ45 raccordé au module SFP (avec connecteur correspondant) sur l'emplacement SFP.
- B : via un câble RJ45 raccordé au connecteur RJ45 fixe.
- C : via les deux solutions ci-dessus, auquel cas la connexion du module SFP fonctionne comme la liaison réseau primaire et la connexion RJ45 fixe fonctionne comme la liaison de secours.

Pour plus d'informations sur les emplacements des connecteurs réseau, voir .

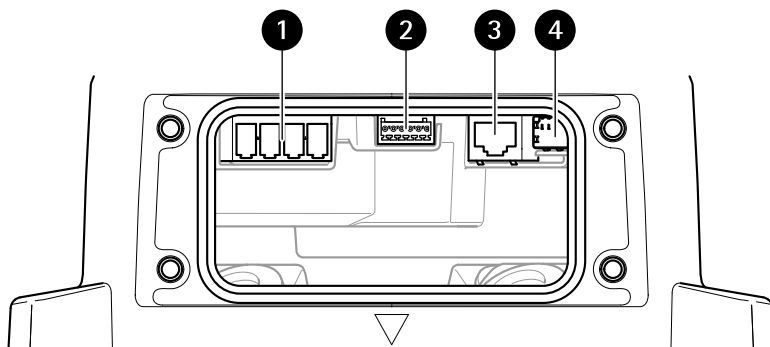
Remarque

- Le module SFP n'est pas fourni. Pour plus d'informations sur les modules SFP, consultez le site axis.com
- Si vous installez une liaison réseau uniquement via le câble à fibre optique à l'aide du module SFP respectif, elle fonctionne comme une solution autonome pour les installations de câblage longue distance.

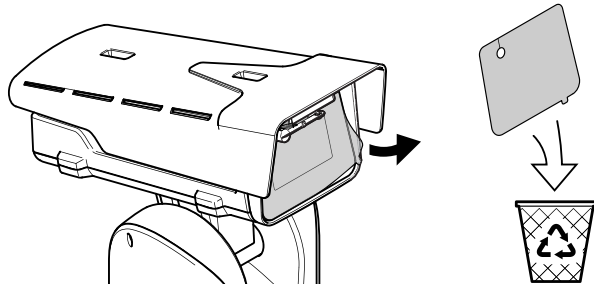
Branchez les câbles



1. Desserrez les quatre vis du couvercle (T20) et retirez le couvercle.



- 1 *Connecteur d'alimentation d'entrée*
 - 2 *Connecteur E/S*
 - 3 *Connecteur RJ45*
 - 4 *Emplacement SFP pour module SFP (module SFP non inclus)*
2. Branchez le câble réseau (fibre optique et/ou RJ45), E/S et d'alimentation. Pour plus d'informations sur les différentes options de connectivité réseau, consultez *Installation de la liaison réseau* à la page 110.
 3. Remettez le couvercle en place et serrez les quatre vis du couvercle (couple de serrage 3,0 Nm).



4. Retirez le couvercle de protection.
5. Mettez le produit sous tension.

Installer le kit du projecteur (installation par défaut)

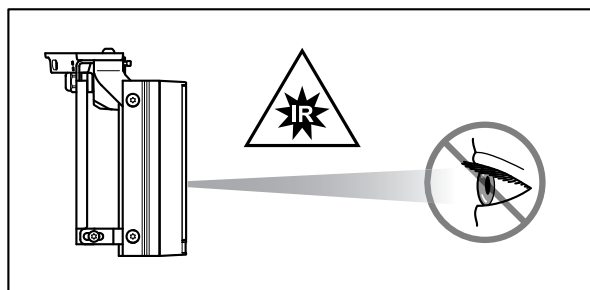
⚠️ AVERTISSEMENT

Risque de choc électrique. Assurez-vous que l'alimentation est débranchée.

⚠️ ATTENTION

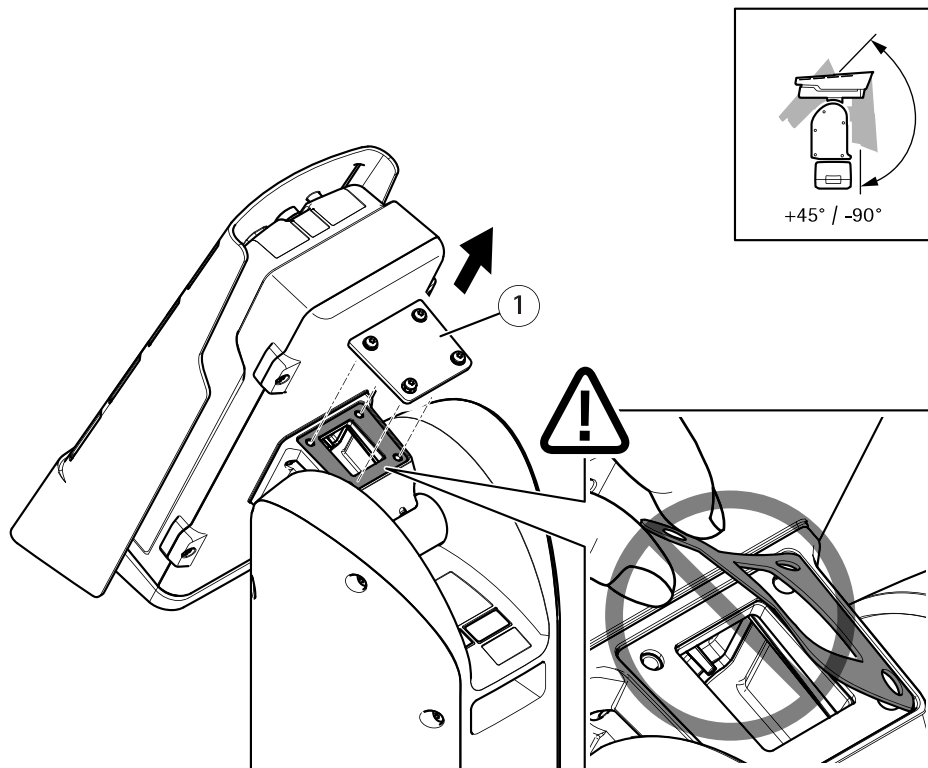
⚠️ IR émis par ce produit. Cela peut être nocif pour les yeux. Évitez toute exposition des yeux. Utilisez un écran ou une protection oculaire.

AXIS Q8685-LE PTZ Network Camera



⚠ ATTENTION

En fonctionnement normal, il est possible que la surface d'éclairage atteigne des températures élevées. Évitez tout contact direct et placez l'appareil à un endroit inaccessible au personnel non autorisé. Avant de le toucher, mettez l'éclairage hors tension et laissez-le refroidir pendant au moins 10 minutes.



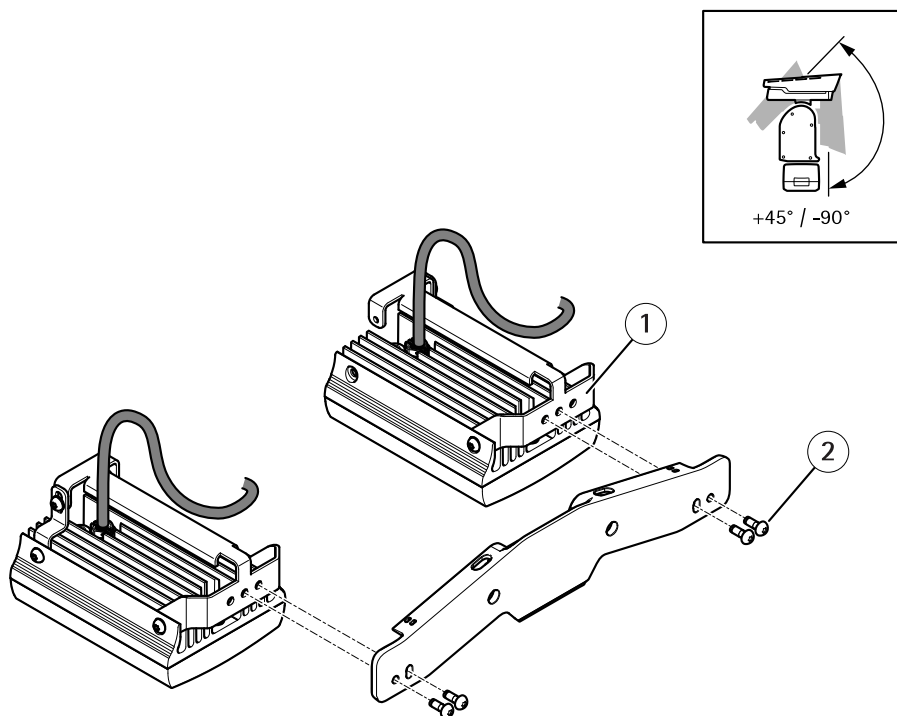
1 Couvercle

1. Retirez les quatre vis du couvercle supérieur (T20) et le couvercle.

Important

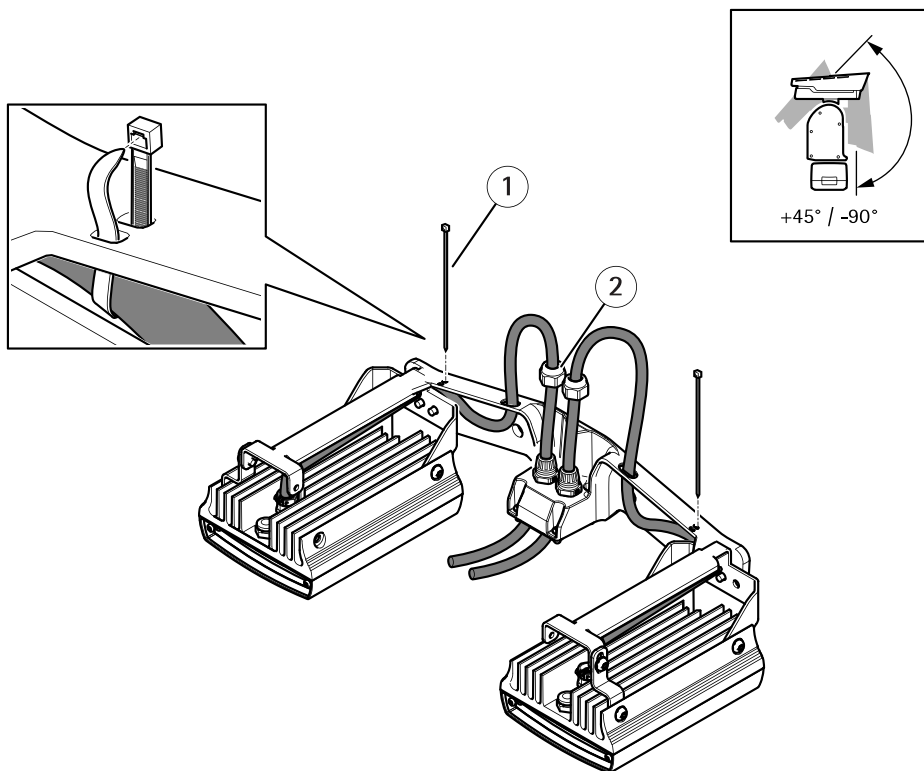
Assurez-vous que le joint sous le couvercle reste en place.

AXIS Q8685-LE PTZ Network Camera



- 1 Projecteur (x2)
- 2 Vis (M6, x4)

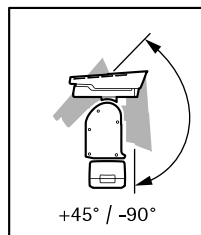
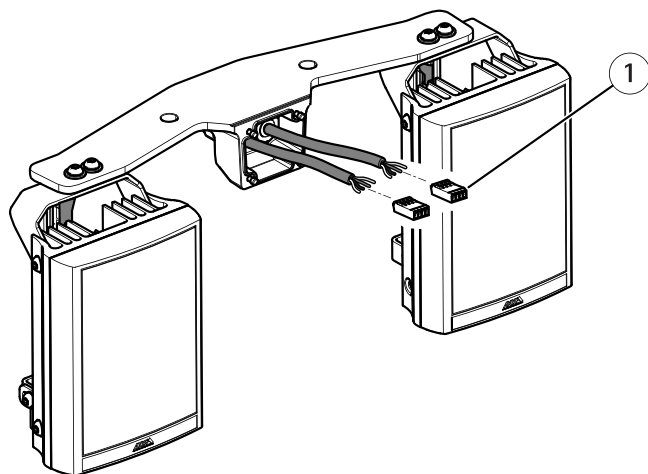
2. Fixez les projecteurs au support de projecteur à l'aide des quatre vis.



FR

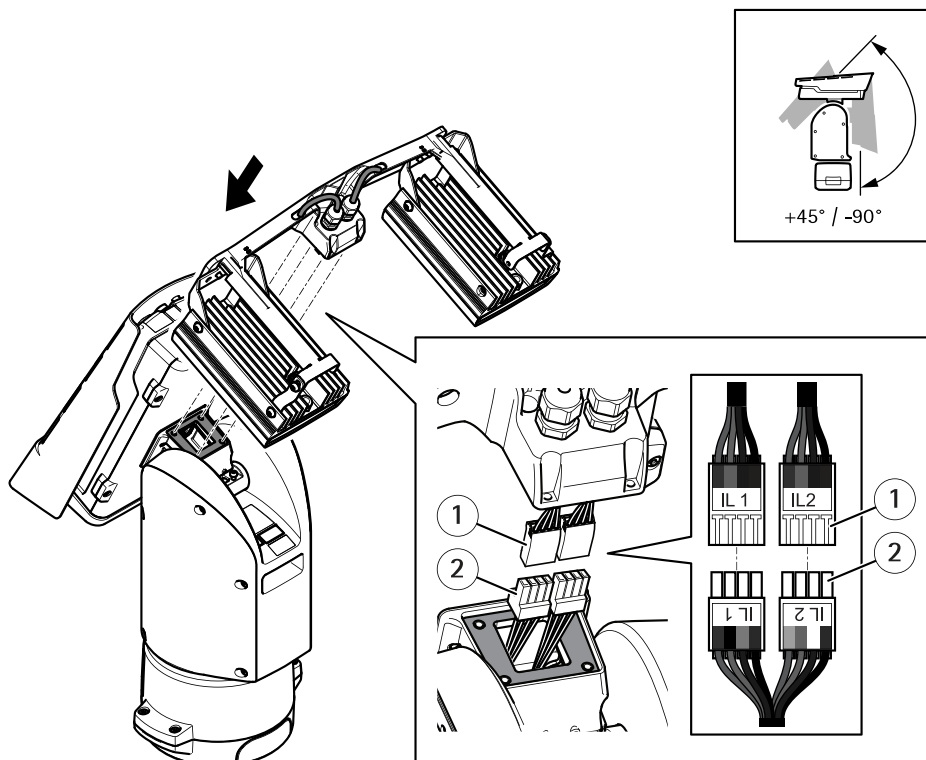
- 1 Frette de câbles (x2)
- 2 Écrou borgne (x2)

3. Acheminez les câbles comme indiqué dans l'illustration ci-dessus et serrez les écrous borgne (couple de serrage 1,5 Nm).
4. Attachez les câbles au support d'illuminateurs à l'aide des attaches de câble.



1 *Connecteur d'illuminateur (x2)*

5. Installez les connecteurs. Cf. *Connecteurs à la page 133.*



- 1 Connecteur de l'illuminateur (x2)
- 2 Connecteur de l'unité de positionnement (x2)

6. Branchez les câbles. Consultez *Connecteurs* à la page 133.
7. Fixez le support de l'illuminateur à l'unité de positionnement à l'aide des quatre vis (T20, couple 3 Nm).

Remarque

Pour plus d'informations sur l'utilisation des illuminateurs, reportez-vous au manuel de l'illuminateur LED (vérifiez le modèle sur l'étiquette du produit) et au Manuel de l'utilisateur de votre produit Axis compatible sur www.axis.com

Installation inversée

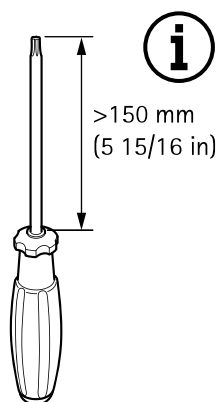
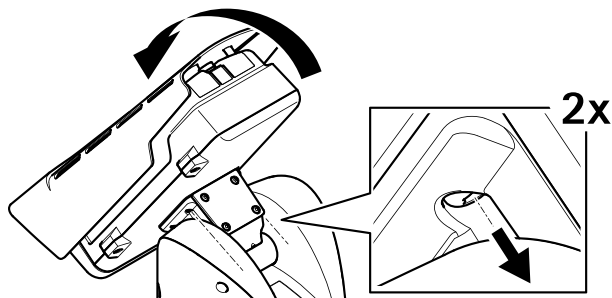
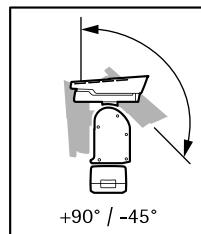
Remarque

Suivez cette procédure pour fixer le couvercle de la caméra dans une configuration inversée, si vous préférez une inclinaison directement vers le haut.

AXIS Q8685-LE PTZ Network Camera

⚠ ATTENTION

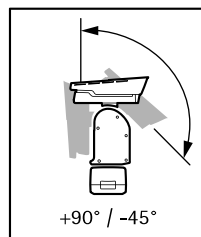
Cette procédure nécessite deux personnes.



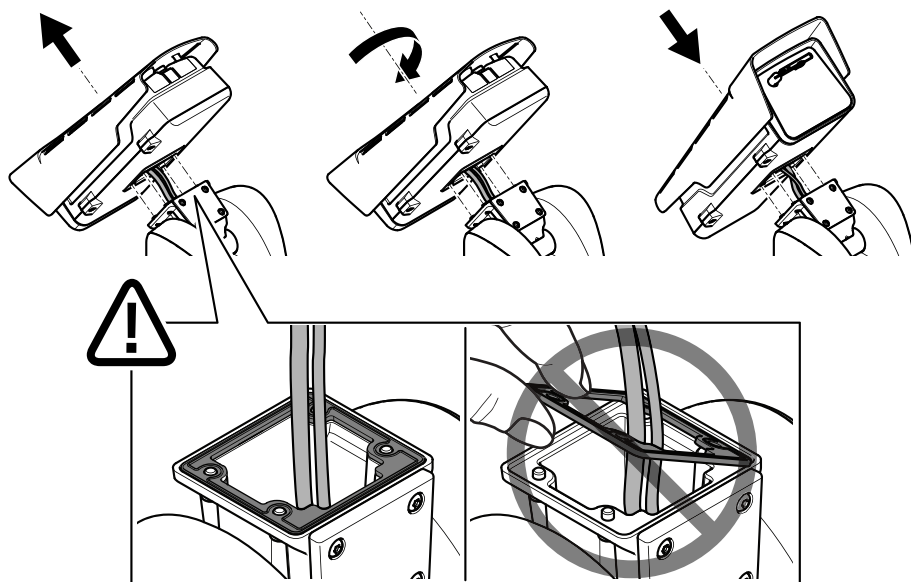
1. Inclinez le couvercle inférieur vers l'arrière dans sa position finale et desserrez les deux vis captives situées à l'avant de l'unité de positionnement (T20).
2. Inclinez le couvercle inférieur vers l'avant dans sa position finale et desserrez les deux vis captives situées à l'arrière de l'unité de positionnement (T20).

AVIS

Pour atteindre les vis de l'unité de positionnement, utilisez un tournevis avec une tige suffisamment longue (voir l'image ci-dessus).



FR

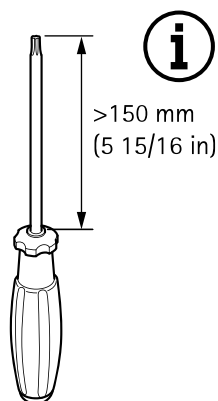
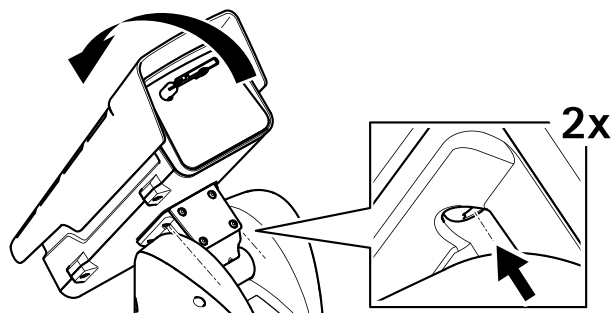
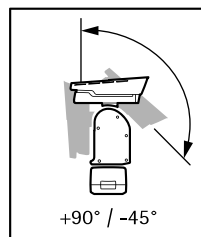


3. Levez la caméra, tournez-la et placez-la sur l'unité de positionnement en position inversée.

Important

Assurez-vous que le joint sous la caméra reste en place.

AXIS Q8685-LE PTZ Network Camera



4. Inclinez le couvercle inférieur vers l'arrière jusqu'à sa position finale et serrez les deux vis avant de l'unité de positionnement (T20, couple 3 Nm).
5. Inclinez le couvercle inférieur vers sa position finale et serrez les deux vis arrière de l'unité de positionnement (T20, couple 3 Nm).

AVIS

Pour atteindre les vis de l'unité de positionnement, utilisez un tournevis avec une tige suffisamment longue (voir l'image ci-dessus).

Installer le kit du projecteur (installation inversée)

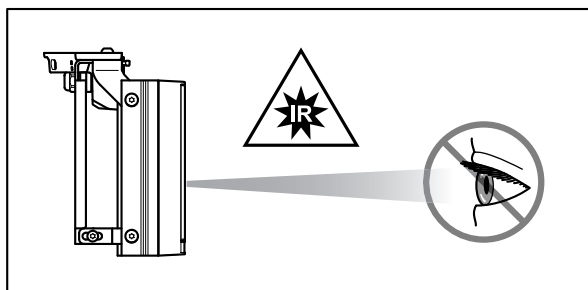
⚠ AVERTISSEMENT

Risque de choc électrique. Assurez-vous que l'alimentation est débranchée.

⚠ATTENTION

⚠ IR émis par ce produit. Cela peut être nocif pour les yeux. Évitez toute exposition des yeux. Utilisez un écran ou une protection oculaire.

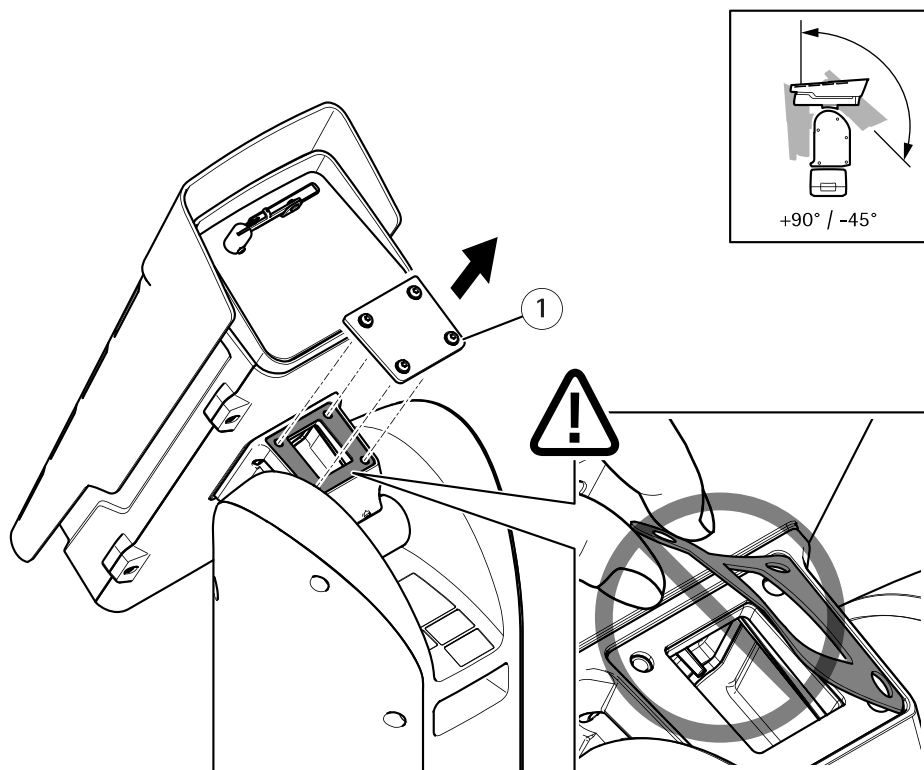
FR



⚠ATTENTION

En fonctionnement normal, il est possible que la surface d'éclairage atteigne des températures élevées. Évitez tout contact direct et placez l'appareil à un endroit inaccessible au personnel non autorisé. Avant de le toucher, mettez l'éclairage hors tension et laissez-le refroidir pendant au moins 10 minutes.

AXIS Q8685-LE PTZ Network Camera

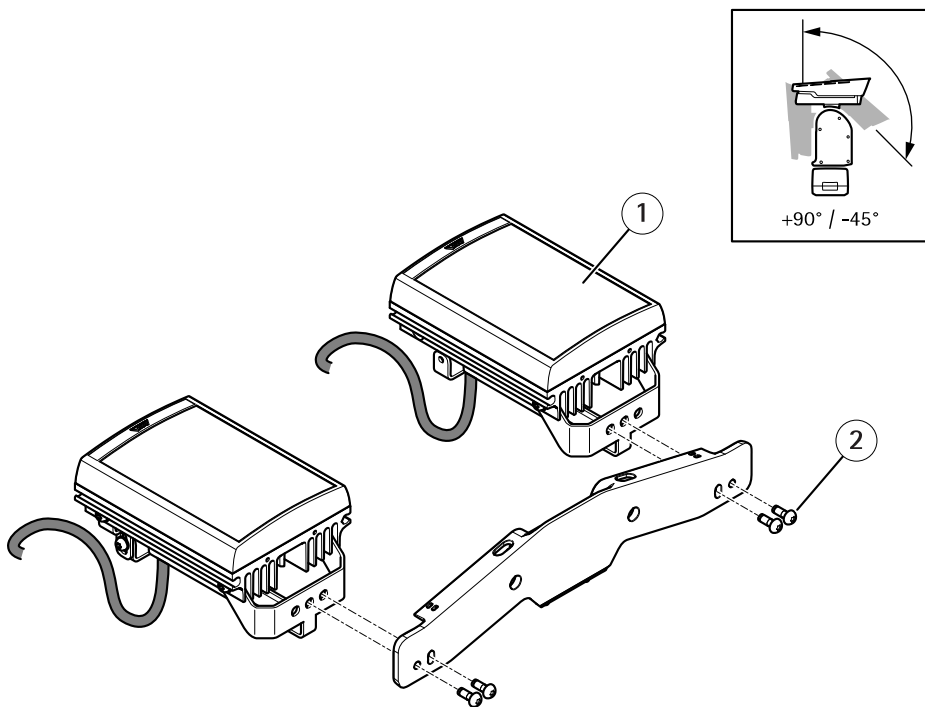


1 Couverture

1. Desserrez les quatre vis captives (T20) sur le couvercle et ôtez le couvercle.

Important

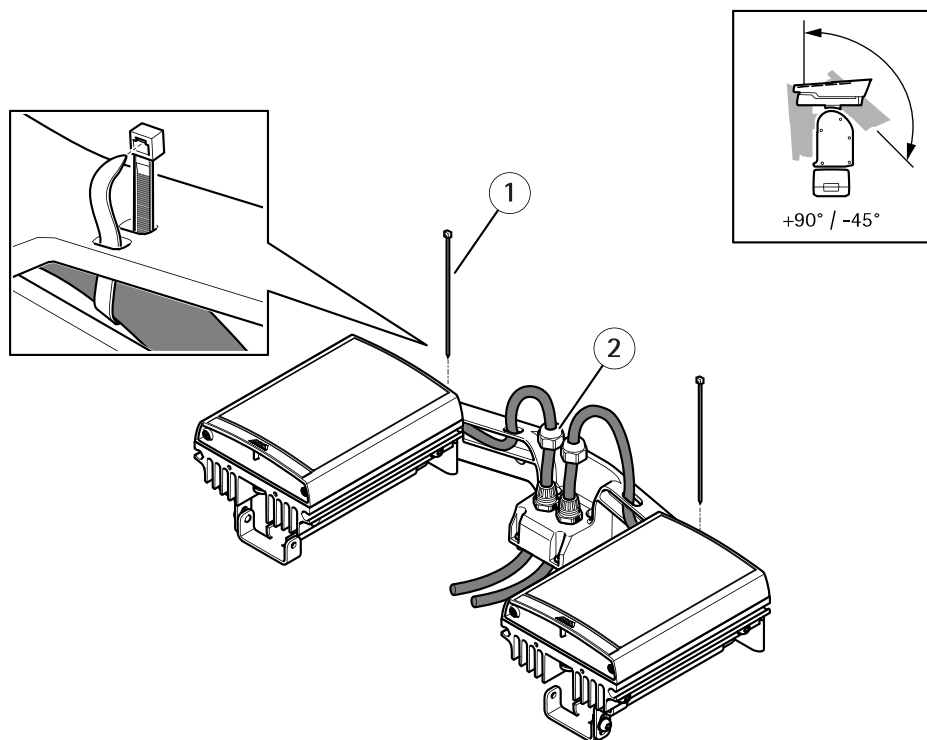
Assurez-vous que le joint sous le couvercle reste en place.



- 1 Projecteur (x2)
- 2 Vis (M6, x4)

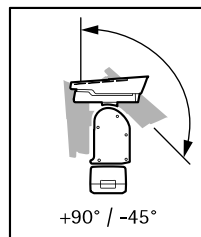
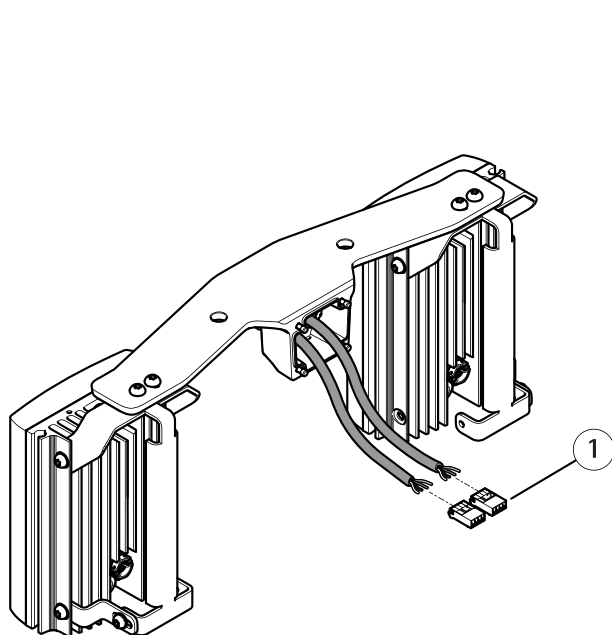
2. Fixez les projecteurs au support de projecteur à l'aide des quatre vis et des rondelles.

AXIS Q8685-LE PTZ Network Camera



- 1 Frette de câbles (x2)
- 2 Écrou borgne (x2)

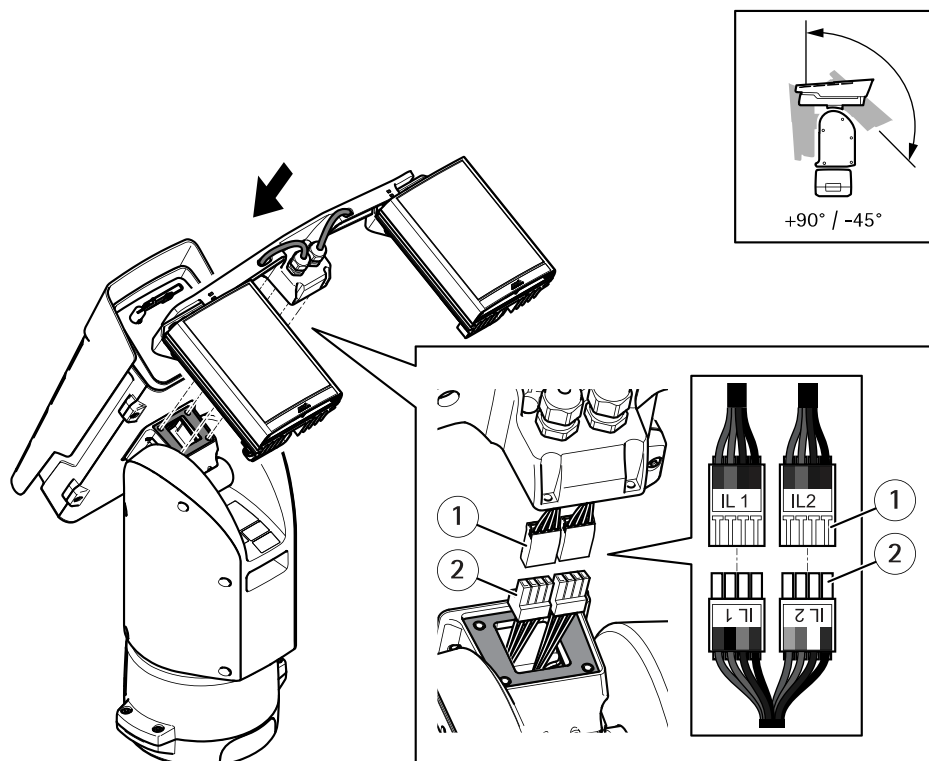
3. Acheminez les câbles comme indiqué dans l'illustration ci-dessus et serrez les écrous borgnes (couple de serrage 1,5 Nm).
4. Attachez les câbles au support d'illuminateurs à l'aide des attaches de câble.



FR

1 Connecteur d'illuminateur (x2)

5. Installez les connecteurs. Cf. *Connecteurs* à la page 133.



- 1 Connecteur de l'illuminateur (x2)
- 2 Connecteur de l'unité de positionnement (x2)

6. Branchez les câbles. Consultez *Connecteurs* à la page 133.
7. Fixez le support de l'illuminateur à l'unité de positionnement à l'aide des quatre vis (T20, couple de serrage 3 Nm).

Comment accéder au produit

Pour trouver les périphériques Axis présents sur le réseau et leur attribuer des adresses IP sous Windows®, utilisez AXIS IP Utility ou AXIS Device Manager. Ces applications sont gratuites et peuvent être téléchargées via axis.com/support

Pour plus d'informations sur l'utilisation du produit, consultez le Manuel de l'utilisateur disponible sur axis.com

Définir la configuration inversée

Remarque

Cette tâche concerne uniquement la configuration inversée.

Important

Ces instructions concernent uniquement les firmwares de périphériques antérieurs à la v8.40.

1. Accédez à la page Web du produit.
2. Cliquez sur **Configuration > Options système > Maintenance** et sur **Défaut**.
3. Patientez pendant que la caméra redémarre.
4. Accédez à la page Web du produit.
5. Allez à **Configuration > PTZ > Avancé > Périphérique > Paramètres spécifiques du pilote étendu pour Source vidéo 1**.
6. Allez à **Configuration du boîtier de la caméra** et sélectionnez **Inversée**.
7. Cliquez sur **Enregistrer**.

Important

Ces instructions concernent uniquement les firmwares de périphériques de la v8.40 ou ultérieurs.

1. Accédez à la page Web du produit.
2. Cliquez sur **Paramètres > Système > Maintenance** et sur **Défaut**.
3. Patientez pendant que la caméra redémarre.
4. Accédez à la page Web du produit.
5. Allez à **Paramètres > Système > Configuration normale > PTZ**.
6. Allez à **Configuration du boîtier de la caméra** et sélectionnez **Inversée**.
7. Cliquez sur **Enregistrer**.

Activer le kit d'éclairage

Important

Ces instructions concernent uniquement les firmwares de périphériques antérieurs à la v8.40.

1. Accédez à la page Web du produit.
2. Allez à **Configuration > PTZ > Avancé > Périphérique > Paramètres spécifiques du pilote étendu pour Source vidéo 1**.
3. Pour **Éclairage > type IL1** :
 - Sélectionnez **IR** si vous avez connecté un éclairage infrarouge
 - Sélectionnez **Blanc** pour un éclairage à lumière blanche
4. Répétez l'étape ci-dessus pour **Éclairage > Type IL2**.

Important

Ces instructions concernent uniquement les firmware de périphériques de la v8.40 ou ultérieurs.

1. Accédez à la page Web du produit.
2. Accédez à **Paramètres > Systèmes > Accessoires**.
3. Pour **Éclairage > type IL1** :
 - Sélectionnez **IR** si vous avez connecté un éclairage infrarouge
 - Sélectionnez **Blanc** pour un éclairage à lumière blanche
4. Répétez l'étape ci-dessus pour **Éclairage > Type IL2**.


Installation d'une carte SD (facultatif)

Une carte SD standard ou à haute capacité (non fournie) peut être utilisée pour sauvegarder des enregistrements dans l'appareil. Consultez *Specifications à la page 133* avant d'installer la carte SD.


1. Débranchez le produit du secteur.
2. Retirez les quatre vis du couvercle supérieur et le couvercle supérieur.
3. Insérez une carte SD dans la fente pour carte SD ; pour en savoir plus consultez *Présentation du matériel à la page 100* .
4. Remplacez le cache supérieur, puis serrez les vis (couple de serrage 3,0 Nm).
5. Remettez le produit sous tension.

Réinitialiser les paramètres par défaut

⚠ ATTENTION

 Risques de blessures. Pièces mobiles. Restez à l'écart du produit lorsqu'il est en cours de fonctionnement. Débranchez l'alimentation électrique avant d'installer le produit ou d'effectuer son entretien.

⚠ ATTENTION

 Risques de blessures. Surfaces chaudes. Ne touchez pas le produit lorsqu'il est en cours de fonctionnement. Débranchez l'alimentation électrique et laissez les surfaces refroidir avant d'effectuer l'entretien du produit.

Important

La réinitialisation des paramètres par défaut doit être effectuée avec précaution. Cette opération reconfigure tous les paramètres, y compris l'adresse IP, aux valeurs d'usine par défaut.

Remarque

Les logiciels d'installation et de gestion sont disponibles sur les pages d'assistance du site www.axis.com/support/downloads

Pour réinitialiser les paramètres par défaut du produit :

1. Débranchez le produit du secteur.
2. Retirez les quatre vis du couvercle supérieur et le couvercle supérieur.
3. Changez la position du commutateur par défaut, consultez pour ce faire *Présentation du matériel à la page 100*.
4. Remplacez le couvercle supérieur et serrez les vis (couple de 3 Nm).
5. Remettez le produit sous tension.

Il est également possible de rétablir les paramètres d'usine à partir de l'interface Web.

Informations supplémentaires

- Le guide d'installation et le manuel d'utilisation du périphérique sont disponibles sur axis.com.
- Pour vérifier s'il existe une version de firmware mise à jour pour votre périphérique, consultez axis.com/support.
- Pour en savoir plus sur les formations, les webinaires, les tutoriels et les guides, visitez le site axis.com/academy.

Accessoires en option

Pour une liste complète des accessoires disponibles pour ce produit, accédez à la page du produit sur axis.com et sélectionnez Logiciel et accessoires.


Informations sur la garantie

Pour plus d'informations sur la garantie du produit Axis et des informations connexes, rendez-vous sur axis.com/warranty.


Specifications

Emplacement pour carte SD

ATTENTION

 Risque de blessure. Pièces mobiles. Restez à l'écart du produit lorsqu'il est en cours de fonctionnement. Débranchez l'alimentation électrique avant d'installer le produit ou d'effectuer son entretien.

ATTENTION

 Risque de blessure. Surfaces chaudes. Ne touchez pas le produit lorsqu'il est en cours de fonctionnement. Débranchez l'alimentation électrique et laissez les surfaces refroidir avant d'effectuer l'entretien du produit.

AVIS

- Risque de dommages à la carte SD. N'utilisez pas d'outils tranchants ou d'objets métalliques pour insérer ou retirer la carte SD, et ne forcez pas lors son insertion ou de son retrait. Utilisez vos doigts pour insérer et retirer la carte.
- Risque de perte de données et d'enregistrements corrompus. Ne retirez pas la carte SD pendant que le produit fonctionne. Démontez la carte SD de la page Web du produit avant le retrait.

Ce produit est compatible avec les cartes SD/SDHC/SDXC.

Pour des recommandations sur les cartes SD, rendez-vous sur axis.com.

Connecteurs

Connecteur réseau

Connecteur Ethernet RJ45.

Connecteur SFP.

AVIS

Le produit doit être connecté à l'aide d'un câble réseau blindé (STP) ou d'un câble à fibres optiques. Tous les câbles reliant le produit au commutateur réseau doivent être destinés à leur usage spécifique. Assurez-vous que les périphériques réseau sont installés conformément aux instructions du fabricant. Pour plus d'informations sur les exigences réglementaires, consultez .

Connecteur d'E/S

Utilisez le connecteur d'E/S avec des périphériques externes, associés aux applications telles que la détection de mouvement, le déclenchement d'événements et les notifications d'alarme. En plus du point de référence 0 V CC et de l'alimentation (sortie CC), le connecteur d'E/S fournit une interface aux éléments suivants :

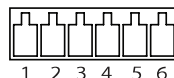
AXIS Q8685-LE PTZ Network Camera

Entrée numérique – Pour connecter des dispositifs pouvant passer d'un circuit ouvert à un circuit fermé, par exemple capteurs infrarouge passifs, contacts de porte/fenêtre et détecteurs de bris de verre.

Sortie numérique – Permet de connecter des dispositifs externes, comme des relais ou des voyants. Les appareils connectés peuvent être activés par l'interface de programmation VAPIX®, via un événement ou à partir de la page web du produit.

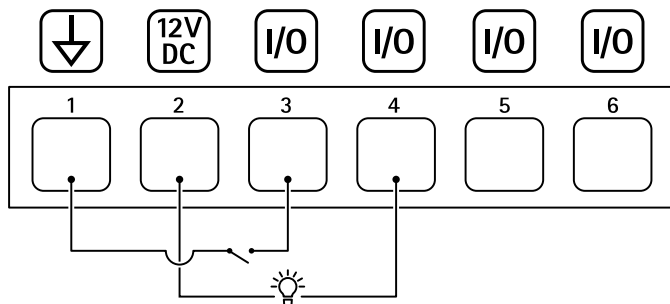
Un capteur de lumière numérique – Pour recevoir une valeur de l'intensité lumineuse ambiante depuis un capteur de lumière externe. Cette valeur est utilisée pour contrôler la fonction jour/nuit.

Bloc terminal configurable à 6 broches



Fonction	B-roche	Remarques	Caractéristiques
Masse du CC	1		0 V CC
Sortie CC	2	Peut servir à alimenter le matériel auxiliaire. Remarque : cette broche ne peut être utilisée que comme sortie d'alimentation.	12 V CC Charge max. = 50 mA
Configurable (entrée ou sortie)	3-6	Entrée numérique - Connectez-vous à la broche 1 pour activer ou laisser non connecté pour désactiver.	0 à 30 V CC max.
		Sortie numérique - Connexion interne à la broche 1 (terre CC) en cas d'activation, et flottante (déconnectée) en cas de désactivation. En cas d'utilisation avec une charge inductive, par exemple un relais, connectez une diode en parallèle à la charge pour assurer la protection contre les transitoires de tension.	0 à 30 V CC max., drain ouvert, 100 mA

Exemple



- 1 Masse du CC
- 2 Sortie CC 12 V, maxi. 50 mA
- 3 Entrée/sortie configurée comme entrée
- 4 Entrée/sortie configurée comme sortie
- 5 E/S configurable
- 6 E/S configurable

FR

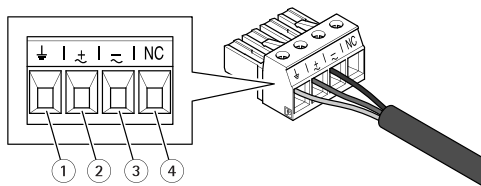
Connecteur d'alimentation

Bloc terminal à 4 broches pour l'alimentation.

Connecteur d'alimentation 24 V CA/CC

AVIS

Cette section concerne les produits alimentés en 24 V CA et 24 V CC uniquement.



Ce tableau concerne uniquement les connecteurs d'alimentation 24 V CA et 24 V CC.

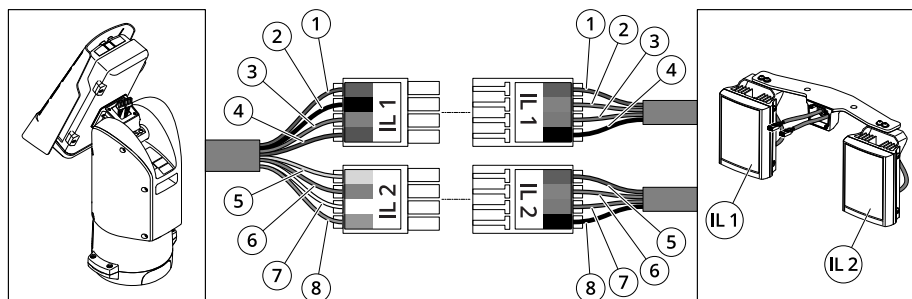
Position	24 V CA	24 V CC
1	Terre de protection	Terre de protection
2	Phase 24 V CA	+ 24 V

AXIS Q8685-LE PTZ Network Camera

Ce tableau concerne uniquement les connecteurs d'alimentation 24 V CA et 24 V CC. (Suite)

Position	24 V CA	24 V CC
3	24 V CA Neutre	0 V
4	Non connecté	Non connecté

Connecteurs d'illuminateur



	Position	Couleur du câble (unité de positionnement)	Couleur du câble (projecteurs)	Description
IL1	1	Rouge	Rouge	+24V IL
	2	noir	Orange	IL1 +VE
	3	Gris	Violet	IL1 -VE
	4	Bleu	Noir	Terre
IL2	5	Jaune	Rouge	+24 V IL
	6	Orange	Orange	IL2 +VE
	7	Blanc	Violet	IL2 -VE
	8	Vert	Noir	Terre

Câbles

Épaisseur du câble

Le diamètre du câble, lors de l'utilisation de joints de câble fournis avec le produit, doit être comprise entre 5 et 11 mm (0,2 à 0,4 po).

AVIS

- Utilisez des câbles adaptés à la zone spécifiée
- Sélectionnez des câbles conformes à la législation locale
- Assurez-vous que les passages de câbles sont correctement scellés
- Utilisez des joints de câble et des presse-étoupes adaptés aux passages de câbles et à la zone de câble

Pour plus d'informations sur les accessoires, tels que les joints de câble et les presse-étoupes adaptés à d'autres zones de câble, consultez www.axis.com

Conditions de fonctionnement

Ce produit Axis est destiné à être utilisé à l'intérieur et à l'extérieur.

Température	Humidité
Normale : -50 °C à 55 °C (-58 °F à 131 °F) Maximale (intermittente) : 65 °C (149 °F) Démarrage à froid : -40 °C à 55 °C (-40 °F à 131 °F)	10–100% HR (sans condensation)

Consommation d'énergie

Consommation type	Consommation maximale
Sans illuminateur : 16 W Avec illuminateur : 64 W	Sans illuminateur : 204 W Avec illuminateur : 300 W

Important

En cas d'utilisation d'un câble AXIS de 22 m (72 pi) 24 V CC/24–240 V CA, une alimentation capable de fournir 400 W est nécessaire pour compenser la perte d'alimentation dans le câble.

AVIS

Les valeurs typiques de consommation d'énergie sont basées sur ce qui suit :

AXIS Q8685-LE PTZ Network Camera

- Toute perte dans le câble d'alimentation non prise en compte
- Aucun positionnement actif
- Aucun moteur d'essuyage actif
- Température à 25 °C / 77 °F (tous chauffages éteints)
- Un flux H.264 à résolution maximale
- Flux MJPEG enregistré sur la carte SD
- Lampes à infrarouge activées 50 % du temps (avec éclairage)

Sicherheitsinformationen

Gefährdungsstufen

▲GEFAHR

Weist auf eine gefährliche Situation hin, welche, falls nicht verhindert, zu Tod oder schweren Verletzungen führen kann.

▲WARNUNG

Weist auf eine gefährliche Situation hin, welche, falls nicht verhindert, zu Tod oder schweren Verletzungen führen kann.

▲VORSICHT

Weist auf eine gefährliche Situation hin, welche, falls nicht verhindert, zu geringfügiger oder mäßiger Verletzung führen kann.

HINWEIS

Weist auf eine gefährliche Situation hin, welche, falls nicht verhindert, zu Sachschäden führen kann.

DE

Andere Meldeebenen

Wichtig

Weist auf wichtige Informationen hin, die den richtigen Betrieb des Produkts gewährleisten.

Hinweis

Weist auf nützliche Informationen hin, die die optimale Verwendung des Produkts unterstützen.

Sicherheitsanweisungen


▲GEFAHR

Stromschlaggefahr. Vor der Installation oder Wartung des Produkts muss sichergestellt werden, dass an keinem der Kabel Spannung anliegt.


▲WARNUNG

Das Axis Produkt muss von fachmännisch geschultem Personal und unter Einhaltung der örtlich geltenden Bestimmungen installiert werden.


▲VORSICHT

 Von diesem Produkt geht Infrarotstrahlung aus. Diese kann zu Augenschäden führen. Augenexposition vermeiden. Verwenden Sie eine Blende bzw. einen Augenschutz.

▲VORSICHT

 Bewegliche Teile. Verletzungsgefahr. Körperteile während des Betriebs vom Produkt fernhalten. Vor der Installation oder Wartung des Produkts alle Kabel von der Stromversorgung trennen.

▲VORSICHT

 Heiße Oberflächen. Verletzungsgefahr. Das Produkt während des Betriebs nicht berühren. Vor der Wartung des Produkts alle Kabel von der Stromversorgung trennen und die Oberflächen des Produkts abkühlen lassen.

HINWEIS

- Das Axis Produkt muss unter Beachtung der geltenden Gesetze und Bestimmungen betrieben werden.
- Lagern Sie das Axis Produkt in einer trockenen und belüfteten Umgebung.
- Das Axis Produkt weder Stößen noch starkem Druck aussetzen.
- Das Produkt nicht an instabilen Masten, Halterungen, Oberflächen oder Wänden anbringen.
- Verwenden Sie bei der Installation des Axis Produkts ausschließlich passende Werkzeuge. Ein zu großer Kraftaufwand mit elektrischen Werkzeugen kann das Produkt beschädigen.
- Verwenden Sie keine chemischen, ätzenden oder aerosolhaltigen Reinigungsmittel.
- Verwenden Sie zum Reinigen ein sauberes, mit destilliertem Wasser angefeuchtetes Tuch.
- Verwenden Sie nur Zubehör, das den technischen Vorgaben Ihres Produkts entspricht. Dieses ist von Axis oder Drittanbietern erhältlich. Axis empfiehlt die mit Ihrem Produkt kompatible Stromversorgung von Axis.
- Verwenden Sie ausschließlich Ersatzteile die von Axis angeboten oder empfohlen werden.
- Versuchen Sie nicht, dieses Produkt selbsttätig zu reparieren. Wenden Sie sich bezüglich Reparatur und Wartung an den Axis Support oder Ihren Axis Händler.
- Richten Sie das Kameraobjektiv nicht direkt auf die Sonne oder andere starke Lichtquellen, um eine Beschädigung der Kamera zu vermeiden.

- Verwenden Sie ein gelb/grün gekennzeichnetes Erdungskabel mit einem Querschnitt von mindestens 0,5 mm².

Transport

HINWEIS

- Bei Bedarf transportieren Sie das Axis Produkt in der Originalverpackung oder einer entsprechenden Verpackung, so dass Schäden vermieden werden.

Batterie

DE

Das Axis Produkt ist mit einer 3,0-V-BR2032-Lithium-Batterie ausgestattet, mit der die interne Echtzeituhr (RTC) versorgt wird. Unter normalen Bedingungen hat die Batterie eine Lebensdauer von mindestens fünf Jahren.

⚠VORSICHT

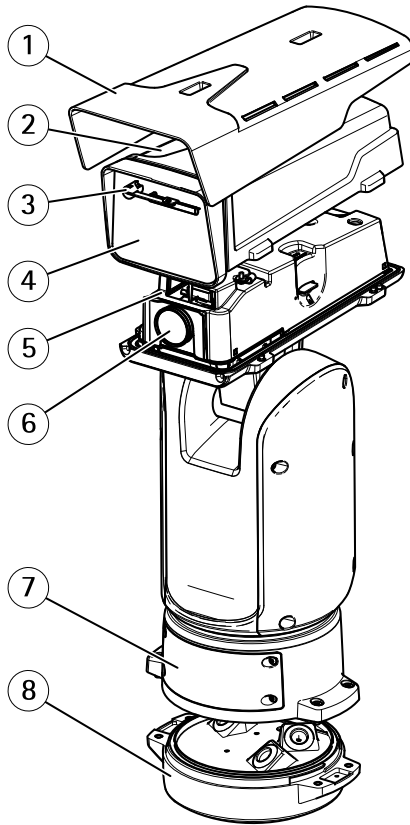
Tauschen Sie die Batterie nicht selbst aus. Wenden Sie sich an den Axis Support, wenn die Protokollnachricht einen Batterietausch anfordert.

Lithium-Knopfzellen (3,0 V) enthalten 1,2-Dimethoxyethan; Ethylenglycoldimethylether (EGDME), CAS-Nr. 110-71-4.

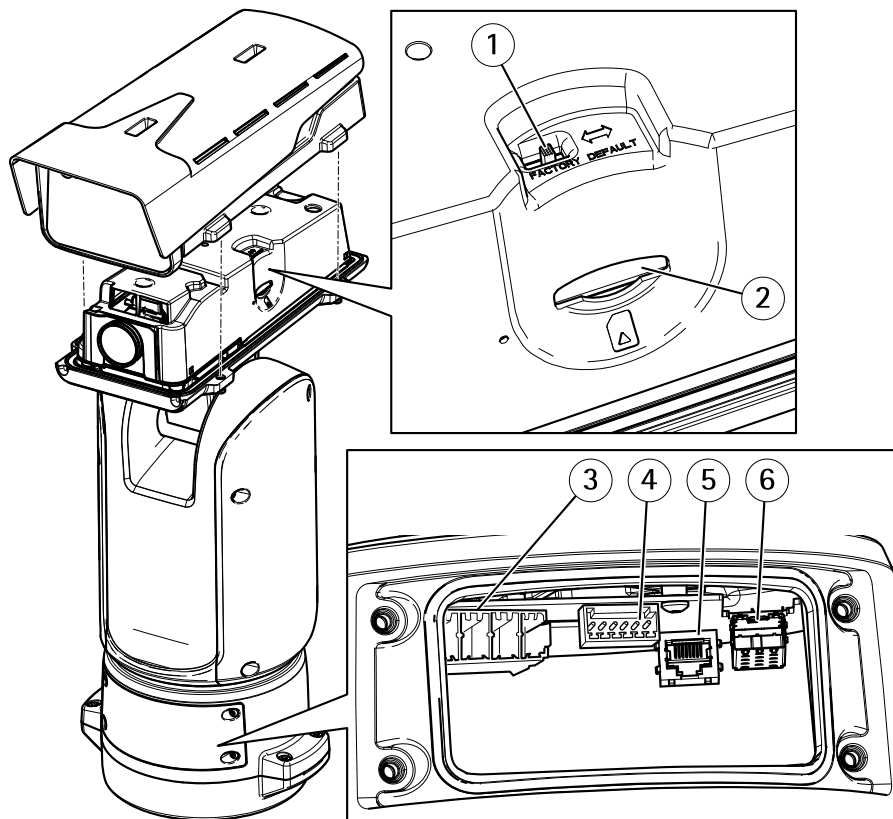
Lieferumfang

- Netzwerk-Kamera AXIS Q8685-LE PTZ
- Strahlersatz C AXIS PT IR
- Netzanschluss
- E/A-Anschluss
- Torx® Bits T20 und T30
- Gedruckte Dokumente
 - Installationsanleitung (dieses Dokument)
 - Zusätzliche Etiketten mit der Seriennummer (2 x)
 - AVHS-Authentifizierungsschlüssel

Übersicht über die Hardware

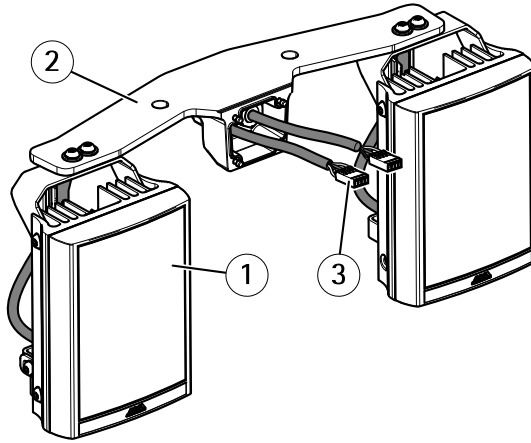


- 1 *Sonnensblende*
- 2 *Obere Abdeckung*
- 3 *Wischer*
- 4 *Frontfenster*
- 5 *Innere Abdeckung*
- 6 *Objektiv*
- 7 *Deckel*
- 8 *Basisgerät*



- 1 Werksseitiger Standardschalter
- 2 SD-Speicherkarteneinschub
- 3 Stromversorgungsanschluss Eingang
- 4 E/A-Anschluss
- 5 Anschluss RJ-45
- 6 SFP-Einschub für SFP-Glasfasermodule (SFP-Modul nicht enthalten)

AXIS Q8685-LE PTZ Network Camera

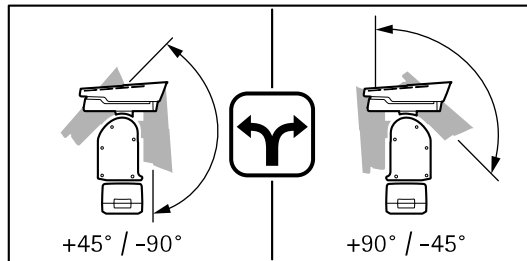


- 1 Strahler (2 x)
- 2 Strahlerhalterung
- 3 Strahleranschlüsse (2 x)

Installieren des Produkts

Grundlegende Installationsschritte

1. Montieren der Gerätebasis auf Seite 148
2. Die Kabel verlegen auf Seite 150
3. Einrichten der Netzwerkverbindung auf Seite 154
4. Anschließen der Kabel auf Seite 155
5. Installieren des Strahlersatzes Die Installation kann auf zwei Arten erfolgen:
 - Installieren des Strahlersatzes (Standardinstallation) auf Seite 157
 - Vertikal umgekehrter Einbau auf Seite 163, gefolgt von Den Strahlersatz installieren (vertikal umgekehrter Einbau) auf Seite 166
6. Zugriff auf das Produkt auf Seite 172
7. Die umgekehrte Kameraausrichtung konfigurieren auf Seite 172
8. Aktivieren des Strahlersatzes auf Seite 173
9. Installieren einer SD-Speicherkarte (optional) auf Seite 174



⚠GEFAHR

Stromschlaggefahr Vor der Installation oder Wartung des Produkts müssen alle Kabel von der Stromversorgung abgeklemmt werden.


⚠VORSICHT

Die Installation der elektrischen Anschlüsse und Kabelkanäle darf nur von einem zugelassenen Elektriker in Übereinstimmung mit den geltenden Bestimmungen vorgenommen werden.

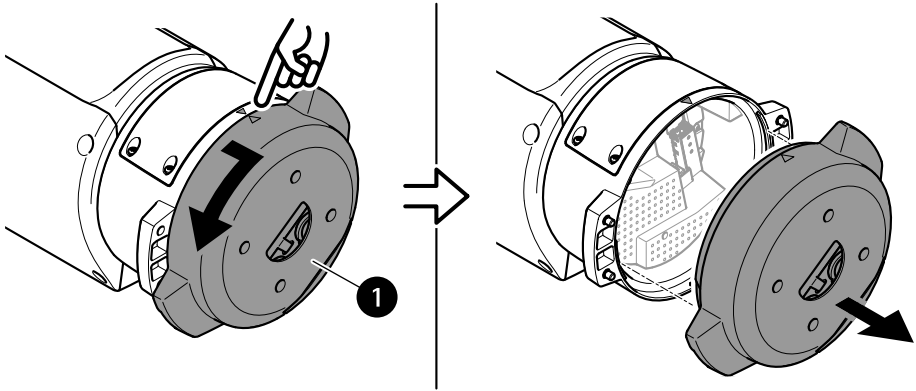
⚠VORSICHT

⚠ Verletzungsgefahr Gefahr durch bewegliche Teile Körperteile während des Betriebs vom Produkt fernhalten. Vor der Installation oder Wartung des Produkts alle Kabel von der Stromversorgung abklemmen.

⚠VORSICHT

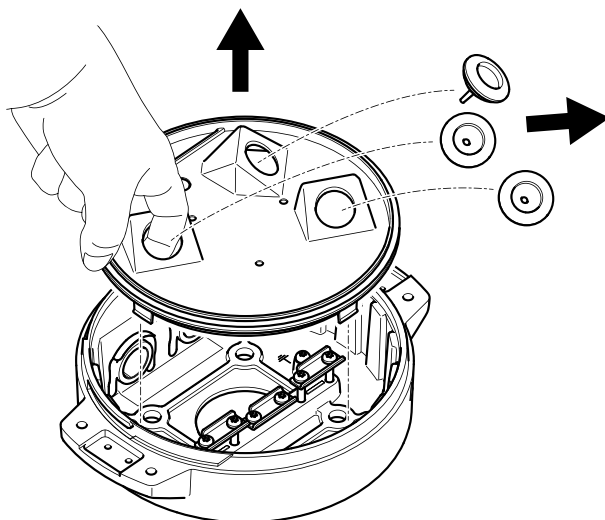
 Verletzungsgefahr Heiße Oberfläche Das Produkt während des Betriebs nicht berühren. Trennen Sie vor Wartungsarbeiten die Stromversorgung und lassen Sie die Oberflächen des Produkts abkühlen.

Montieren der Gerätebasis



1 Basiseinheit

1. Die vier Schrauben (T30) der Gerätebasis entfernen.
2. Die Gerätebasis gleichzeitig ziehen und gegen den Uhrzeigersinn drehen, bis die Pfeile auf der Gerätebasis und dem Rest des Geräts in einer Linie stehen.
3. Die Gerätebasis entfernen.

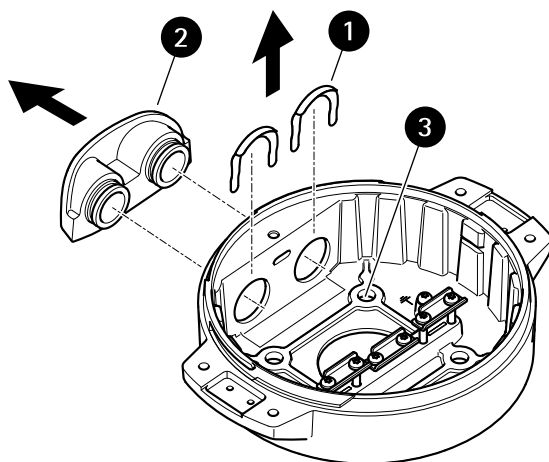


DE

HINWEIS

Beim Entfernen der transparenten Abdeckung der Gerätebasis keine spitzen Werkzeuge verwenden.

4. Die transparente Abdeckung der Gerätebasis entfernen.



1 Klammer der Kabelführung

AXIS Q8685-LE PTZ Network Camera

- 2 Abdeckung der Kabelführung
 - 3 Schraubenbohrung (4 x)
5. Nur bei Installationen über die Kabelführung: Zuerst die beiden Klammern der Kabelführung und anschließend die Abdeckung der Kabelführung entfernen.
 6. Die Gerätebasis mit geeigneten Befestigungselementen für die vier Schraubenbohrungen an der Befestigungsfläche anbringen.

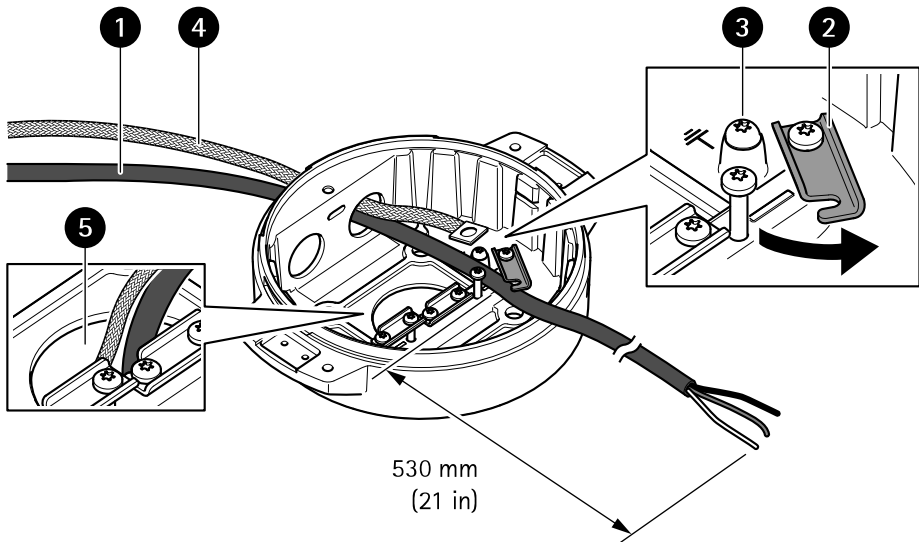
Die Kabel verlegen

⚠WARNUNG

Stromschlaggefahr. Das Produkt muss geerdet werden. Dazu müssen sowohl der Schutzleiter im Stromversorgungskabel als auch das Erdungsband verwendet werden. Sicherstellen, dass beide Enden des Schutzleiters und des Erdungsbandes Kontakt mit den entsprechenden Erdungsflächen haben.

Wichtig

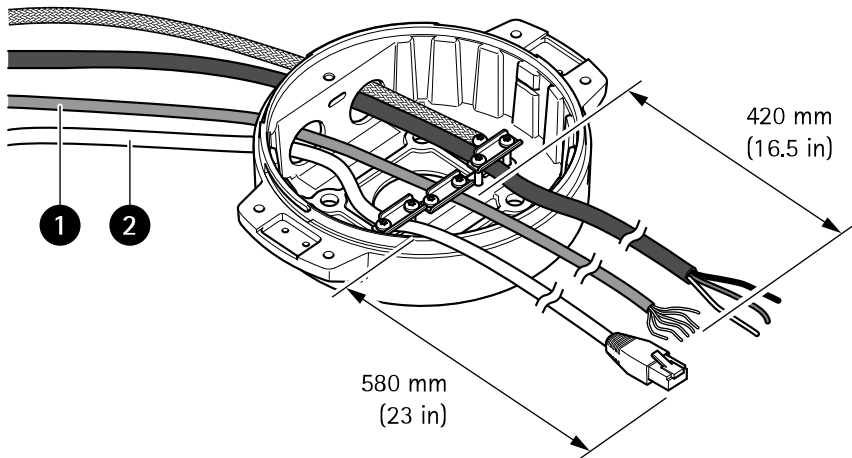
Nur Kabel mit dem vorgegebenen Kabelquerschnitt verwenden. Weitere Informationen finden Sie unter *Kabelstärke* auf Seite 181.



- 1 Stromversorgungskabel (nicht im Lieferumfang enthalten)
- 2 Zugschraubenschlüssel
- 3 Masse
- 4 Erdungsband (nicht im Lieferumfang enthalten)

5 Kabelöffnung unten

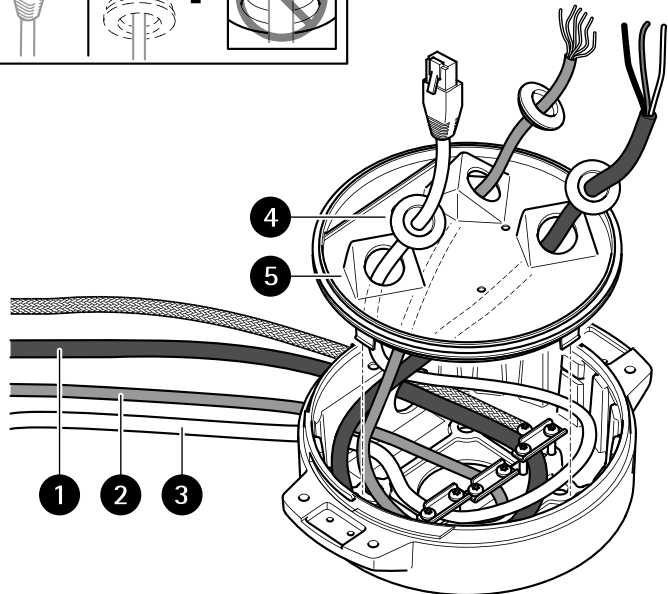
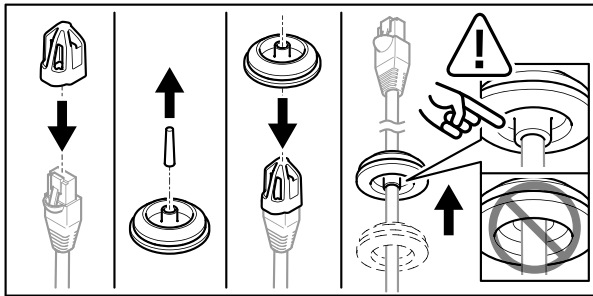
1. Die optionalen Kabelführungsadapter installieren (nicht im Lieferumfang enthalten).
2. Das Erdungskabel mit der Erdungsschraube befestigen.
3. Die Kabel für Stromversorgung, Netzwerk und E/A einschließlich der Kabelverschraubungen wie in der Abbildung oben durch die Öffnung des Basisgeräts führen. Alternativ die Kabel durch die untere Kabelöffnung einführen.
4. Das Stromversorgungskabel durch die Zugentlastung führen. Dabei eine Länge von 530 mm zwischen Zugentlastung und Kabelende einhalten.



- 1 E/A-Kabel (optional, nicht im Lieferumfang enthalten)
- 2 Netzwerk-Kabel (nicht im Lieferumfang enthalten)

5. Das E/A-Kabel (optional) durch die Zugentlastung führen. Dabei eine Länge von 420 mm zwischen Zugentlastung und Kabelende einhalten.
6. Das Netzwerk-Kabel (Glasfaser oder Kabeltyp RJ-45) durch die Zugentlastung führen. Dabei eine Länge von 580 mm zwischen Zugentlastung und Anschlussende einhalten. Weitere Informationen zu den verschiedenen Anschlussoptionen an das Netzwerk, siehe *Einrichten der Netzwerkverbindung auf Seite 154*.
7. Die drei Zugentlastungen schließen und anziehen.

AXIS Q8685-LE PTZ Network Camera



- 1 Stromversorgungskabel (nicht im Lieferumfang enthalten)
- 2 E/A-Kabel (optional, nicht im Lieferumfang enthalten)
- 3 Netzwerk-Kabel (nicht im Lieferumfang enthalten)
- 4 Kabeldichtung
- 5 Transparente Abdeckung der Gerätebasis

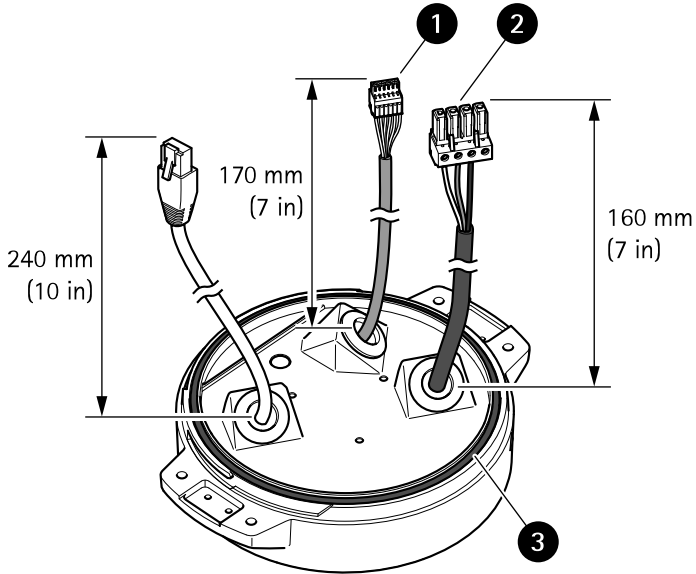
8. Die Kabeldichtungen auf die Kabel schieben. Siehe *Kabelstärke auf Seite 181*.
9. Die Kabel für Stromversorgung, Netzwerk und E/A einschließlich der Kabeldichtungen durch die Öffnungen der transparenten Abdeckung der Gerätebasis führen und die Kabel wie in der Abbildung oben dargestellt ausrichten.

HINWEIS

Wird sowohl ein Glasfaserkabel als auch ein Kabel des Typs RJ-45 verwendet, das Glasfaserkabel durch dieselbe Kabeldichtung führen wie das E/A-Kabel. Gegen das Eindringen von Feuchtigkeit zwischen Kabeln und Kabeldichtung ein Dichtmittel verwenden.

Weitere Informationen zu den verschiedenen Anschlussoptionen an das Netzwerk, siehe *Einrichten der Netzwerkverbindung auf Seite 154*.

10. Die transparente Abdeckung der Gerätebasis aufsetzen und die Kabeldichtungen in die Öffnungen schieben.



- 1 E/A-Anschluss
- 2 Stromanschluss
- 3 O-Ring

DE

HINWEIS

Um das Gerät nicht versehentlich von der Stromversorgung zu trennen, wenn das Kabel gezogen wird, lassen Sie den Schutz-Erdungsdraht um 10 0,4 mm länger als die beiden anderen Kabel (im Stromversorgungskabel).

Hinweis

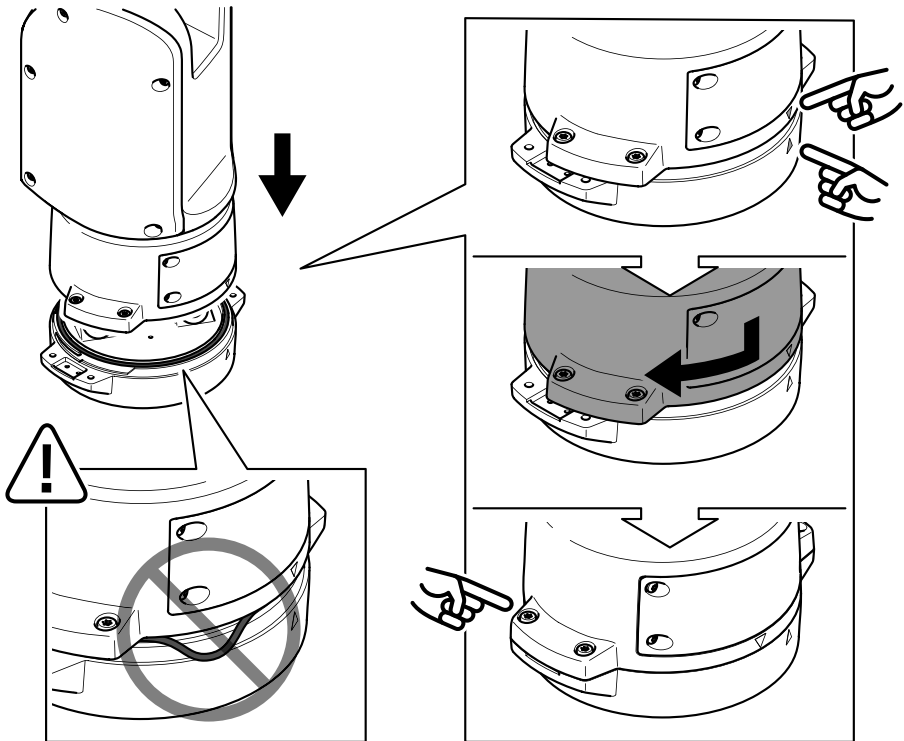
Um die Installation so einfach wie möglich zu machen, wird empfohlen, ca. 90 mm der Stromkabelhülle und 70 mm der E/A-Kabelhülle zu entfernen.

11. Einbau der Stromversorgungs- und E/A-Anschlüsse
12. Die Kabel für Netzwerk, E/A und Stromversorgung so ausrichten, dass die Länge zwischen Kabeldichtung und Ende des Anschlusses jeweils 240 mm, 170 mm und 160 mm beträgt.

AXIS Q8685-LE PTZ Network Camera

HINWEIS

Sicherstellen, dass der O-Ring richtig um die transparente Abdeckung der Gerätebasis herum eingepasst ist.

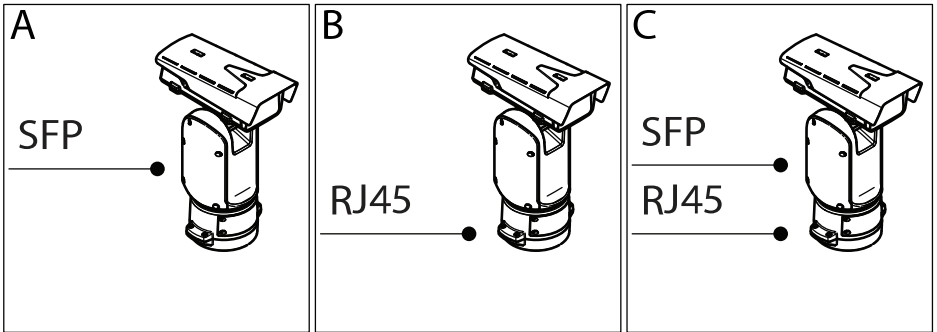


13. Positionieren Sie die Positionierungseinheit auf der Basiseinheit. Stellen Sie sicher, dass die Pfeile an den beiden Geräten ausgerichtet sind.
14. Die Positionierungseinheit im Uhrzeigersinn in ihre Ausgangsstellung drehen und die vier Schrauben der Grundeinheit anziehen (Drehmoment 3,0 Nm).

HINWEIS

Sicherstellen, dass die Kabel beim Zusammenbauen der beiden Geräte nicht gequetscht werden.

Einrichten der Netzwerkverbindung



DE

Bei der Installation der Netzwerkverbindung stehen verschiedene Optionen zur Verfügung:

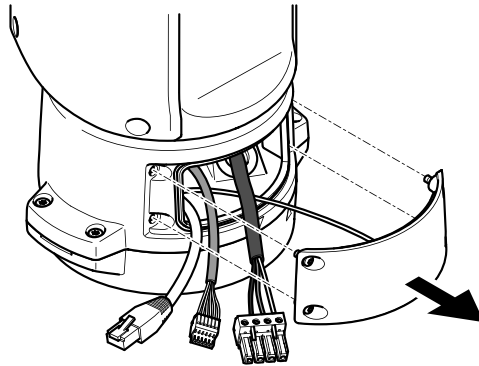
- A: Mithilfe eines Glasfaserkabels oder eines Kabels des Typs RJ-45, das (mit einem entsprechenden Anschluss) an das SFP-Modul im SFP-Einschub angeschlossen wird.
- B: Mithilfe eines Anschlusses des Typs RJ-45 an den festen Anschluss des Typs RJ-45.
- C: Mithilfe beider oben angeführten Möglichkeiten. In diesem Fall agiert der Anschluss über das SFP-Modul als die primäre Netzwerk-Verbindung und die Verbindung über den festen Anschluss des Typs RJ-45 als Fail-Over-Anschluss.

Weitere Informationen zur Lage der Netzwerk-Steckverbindungen, siehe .

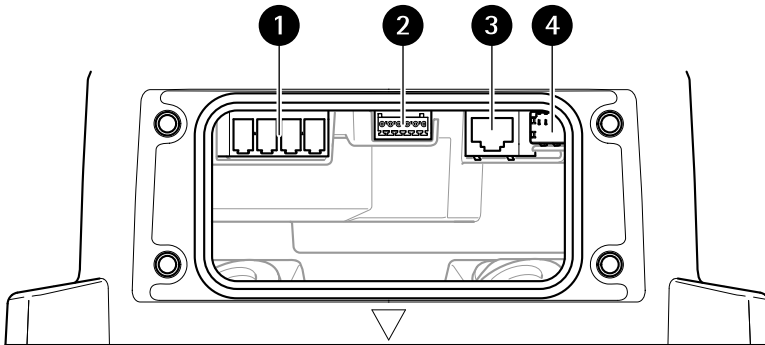
Hinweis

- SFP-Modul nicht im Lieferumfang enthalten. Weitere Informationen zu lieferbaren SFP-Modulen, siehe axis.com.
- Die Installation einer Netzwerk-Verbindung ausschließlich über das Glasfaserkabel mittels des entsprechenden SFP-Moduls dient als eigenständige Lösung für Kabelinstallationen mit großer Reichweite.

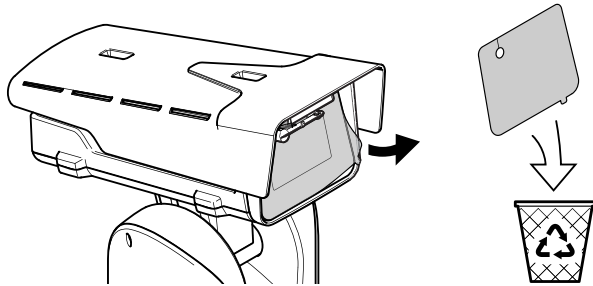
Anschließen der Kabel



1. Die vier Deckelschrauben (T20) lösen und den Deckel abnehmen.



- 1 *Stromversorgungsanschluss Eingang*
 - 2 *E/A-Anschluss*
 - 3 *RJ-45-Anschluss*
 - 4 *SFP-Einschub für SFP-Module (SFP-Modul nicht enthalten)*
2. Das Netzwerk (Glasfaser und/oder RJ-45), E/A und die Stromversorgung anschließen
Weitere Informationen zu den verschiedenen Anschlussoptionen an das Netzwerk, siehe *Einrichten der Netzwerkverbindung auf Seite 154*.
 3. Bringen Sie den Deckel an seine Position und ziehen Sie die vier Deckelschrauben an (Drehmoment 3,0 Nm).




4. Entfernen Sie die Schutzabdeckung.
5. Das Produkt an die Stromversorgung anschließen.

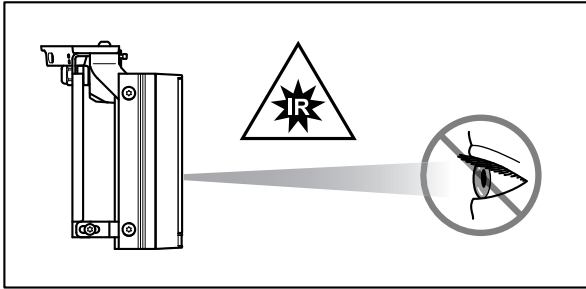
Installieren des Strahlersatzes (Standardinstallation)

▲WARNUNG

Stromschlaggefahr. Stellen Sie sicher, dass das Gerät von der Stromversorgung getrennt ist.

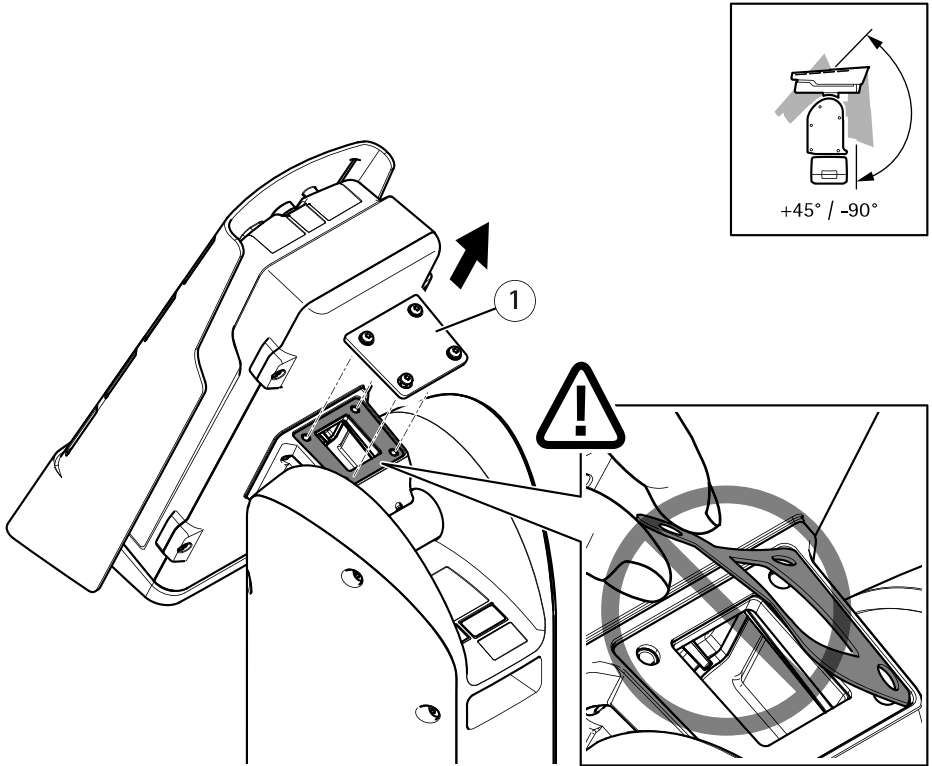
▲VORSICHT

 Dieses Produkt erzeugt IR-Strahlung. Diese kann zu Augenschäden führen. Augenkontakt vermeiden. Gesichts- oder Augenschutz benutzen.



⚠ VORSICHT

Der Strahler kann bei Normalbetrieb außen sehr heiß werden. Berühren Sie die Leuchten nicht. Platzieren Sie das Gerät so, dass kein Zugang für nicht autorisierte Personen besteht. Vor dem Berühren der Strahler diese ausschalten und mindestens 10 Minuten abkühlen lassen.



DE

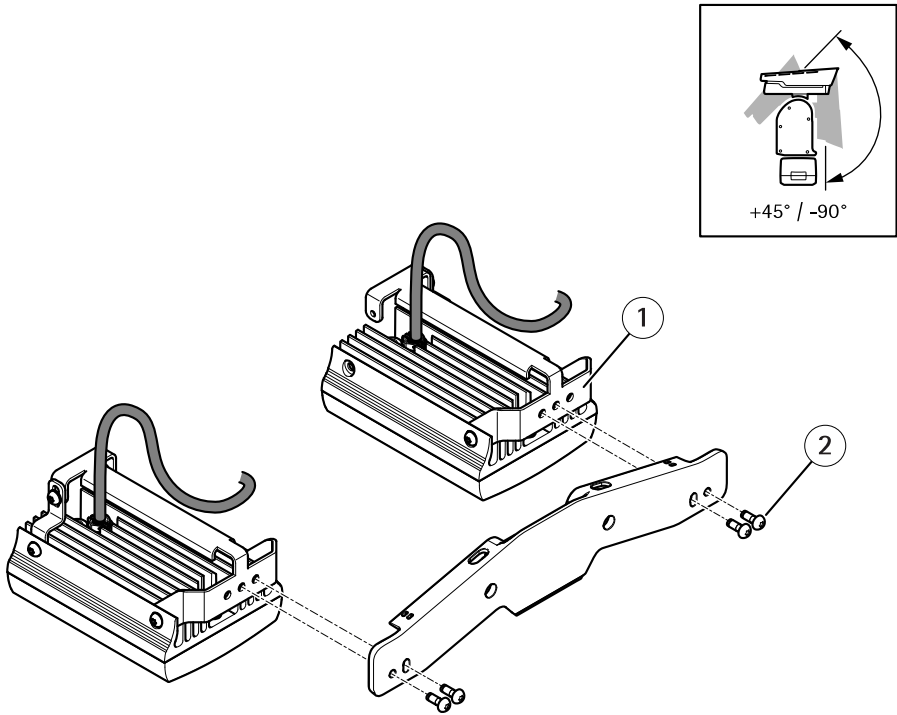
1 Abdeckung

1. Die vier Schrauben (T20) der Abdeckung lösen und die Abdeckung abnehmen.

Wichtig

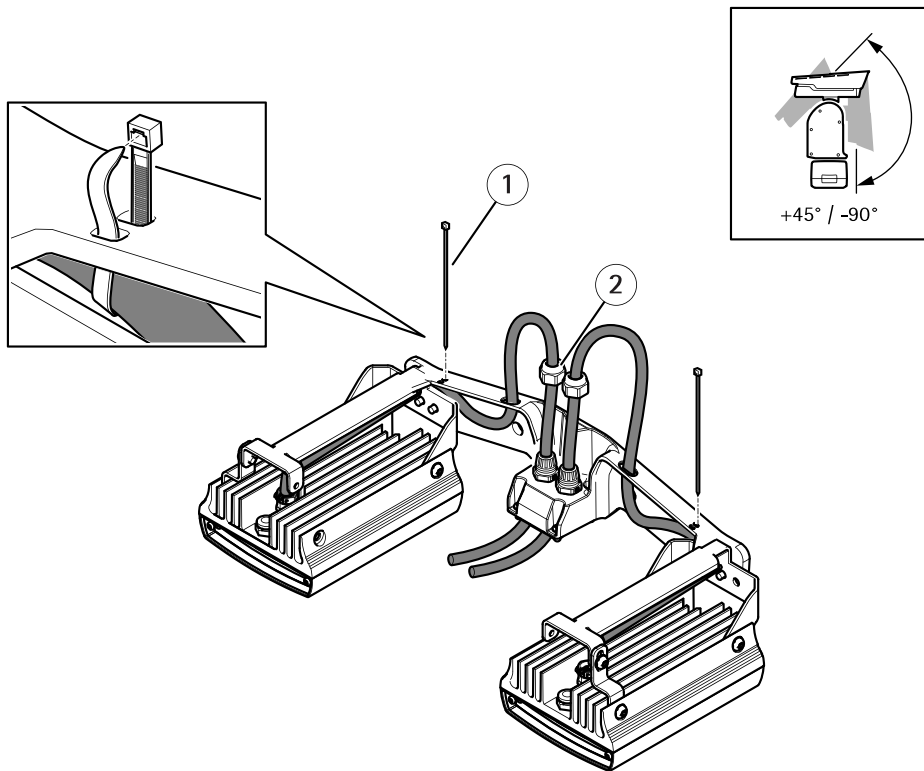
Sicherstellen, dass die Dichtung unter der Abdeckung in Einbaulage verbleibt.

AXIS Q8685-LE PTZ Network Camera



- 1 Strahler (2 St.)
- 2 Schrauben (M6, 4 St.)

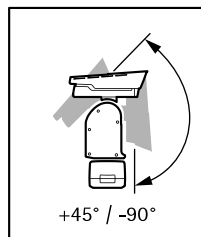
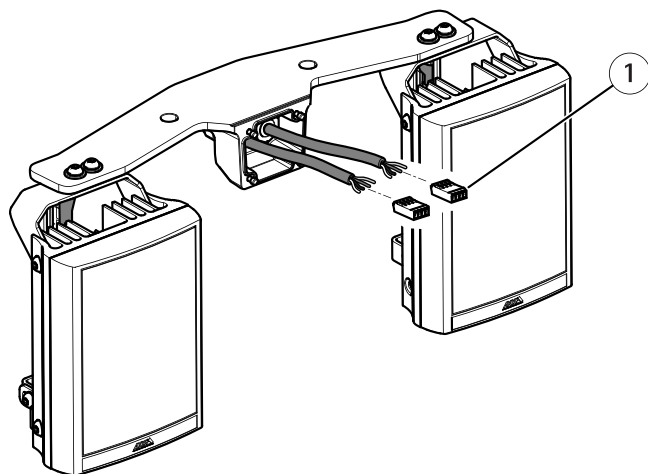
2. Die Strahler mit den vier Schrauben an den Halterungen befestigen.



DE

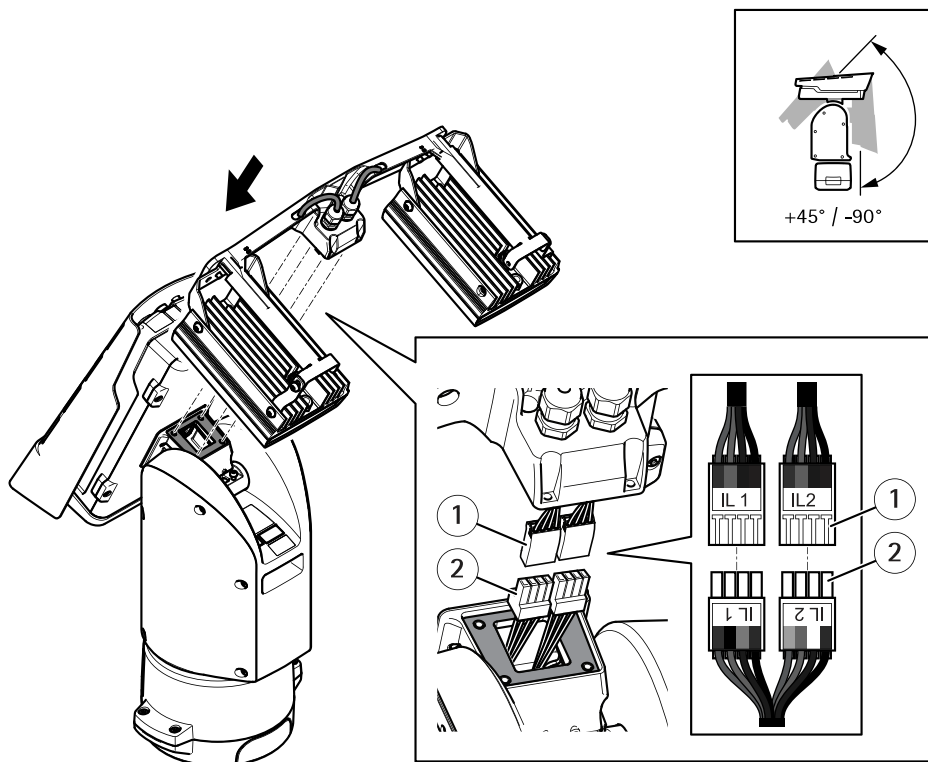
- 1 Kabelbinder (4 x)
- 2 Hutmuttern (2 x)

3. Die Kabel laut der Abbildung oben verlegen. Dann die Hutmuttern mit einem Drehmoment von 1.5 Nm anziehen.
4. Die Strahlerkabel mithilfe von Kabelbindern an der Halterung befestigen.



1 Strahleranschlüsse (2 x)

5. Die Anschlüsse anbringen. Siehe *Anschlüsse auf Seite 177*.



DE

- 1 Anschlüsse vom Strahler (2 x)
- 2 Anschlüsse von der Stelleinheit (2 x)

6. Die Kabel anschließen. Siehe *Anschlüsse auf Seite 177*.
7. Die Strahlerhalterung mit den vier Schrauben (T20, Drehmoment 3,0 Nm) an der Positionierungseinheit befestigen.

Hinweis

Für weitere Informationen zum Betreiben der Strahler, siehe das Handbuch LED-Strahler (Modellangabe auf dem Typenschild beachten) und das Benutzerhandbuch Ihres kompatiblen Axis-Produkts auf www.axis.com

Vertikal umgekehrter Einbau

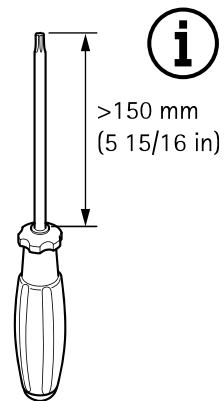
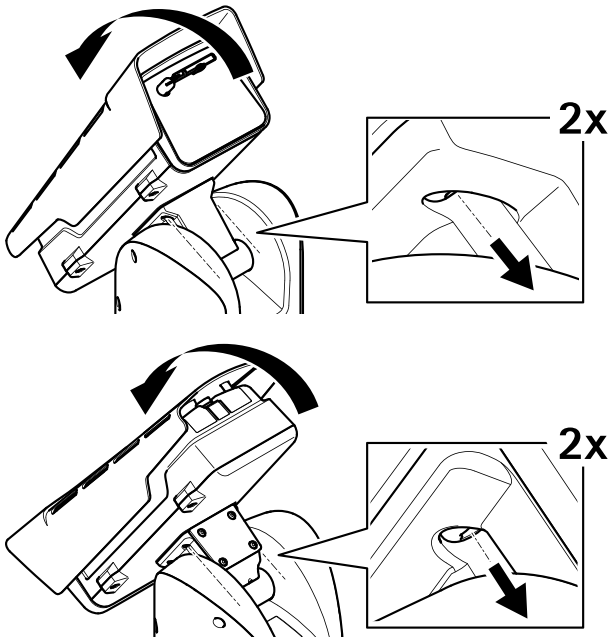
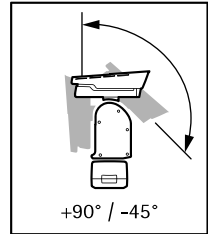
Hinweis

Wenn die Kamera nach oben ausgerichtet werden soll, das Kameragehäuse mithilfe dieser Anleitung vertikal umgekehrt installieren.

AXIS Q8685-LE PTZ Network Camera

⚠ VORSICHT

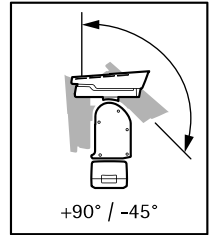
Dazu sind zwei Personen erforderlich.



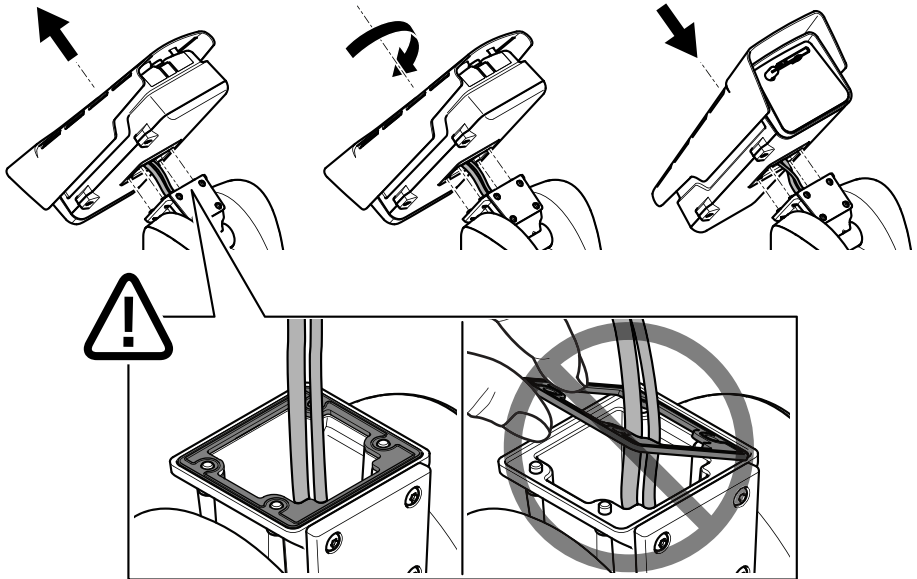
1. Die untere Abdeckung nach hinten in Endlage kippen und die beiden vorderen unverlierbaren Schrauben (T20) der Positionierungseinheit lösen.
2. Die untere Abdeckung nach vorn in Endlage kippen und die beiden hinteren unverlierbaren Schrauben (T20) der Positionierungseinheit lösen.

HINWEIS

Um die Schrauben der Positionierungseinheit erreichen zu können, einen Schraubendreher mit ausreichend langer Klinge verwenden (siehe Abbildung oben).



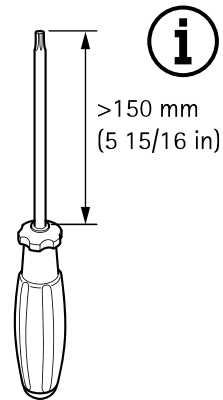
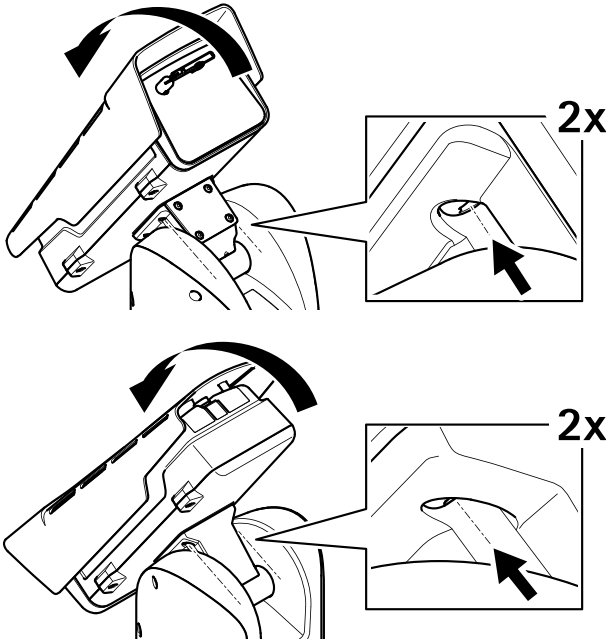
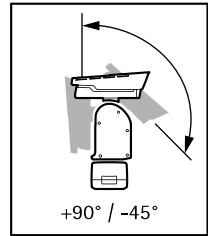
DE



3. Die Kameraeinheit herausnehmen, senkrecht um 180° Grad drehen und in dieser umgekehrten Ausrichtung in die Positionierungseinheit einsetzen.

Wichtig

Sicherstellen, dass die Dichtung unter der Kameraeinheit in Einbaulage verbleibt.



4. Die untere Abdeckung nach hinten in Endlage kippen und die beiden vorderen Schrauben (T20) der Positionierungseinheit anziehen (Drehmoment 3,0 Nm).
5. Die untere Abdeckung nach vorn in Endlage neigen und die beiden hinteren Schrauben (T20) der Positionierungseinheit anziehen (Drehmoment 3,0 Nm).

HINWEIS


Um die Schrauben der Positionierungseinheit erreichen zu können, einen Schraubendreher mit ausreichend langer Klinge verwenden (siehe Abbildung oben).

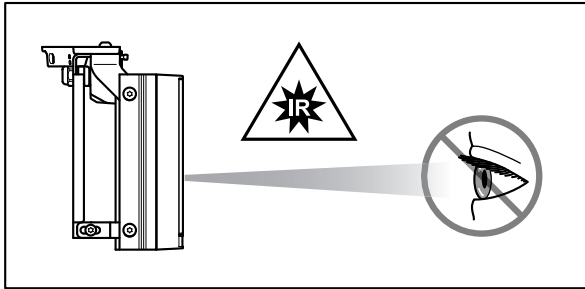
Den Strahlersatz installieren (vertikal umgekehrter Einbau)

⚠ WARNUNG

Stromschlaggefahr. Stellen Sie sicher, dass das Gerät von der Stromversorgung getrennt ist.

⚠VORSICHT

 Dieses Produkt erzeugt IR-Strahlung. Diese kann zu Augenschäden führen. Augenkontakt vermeiden. Gesichts- oder Augenschutz benutzen.

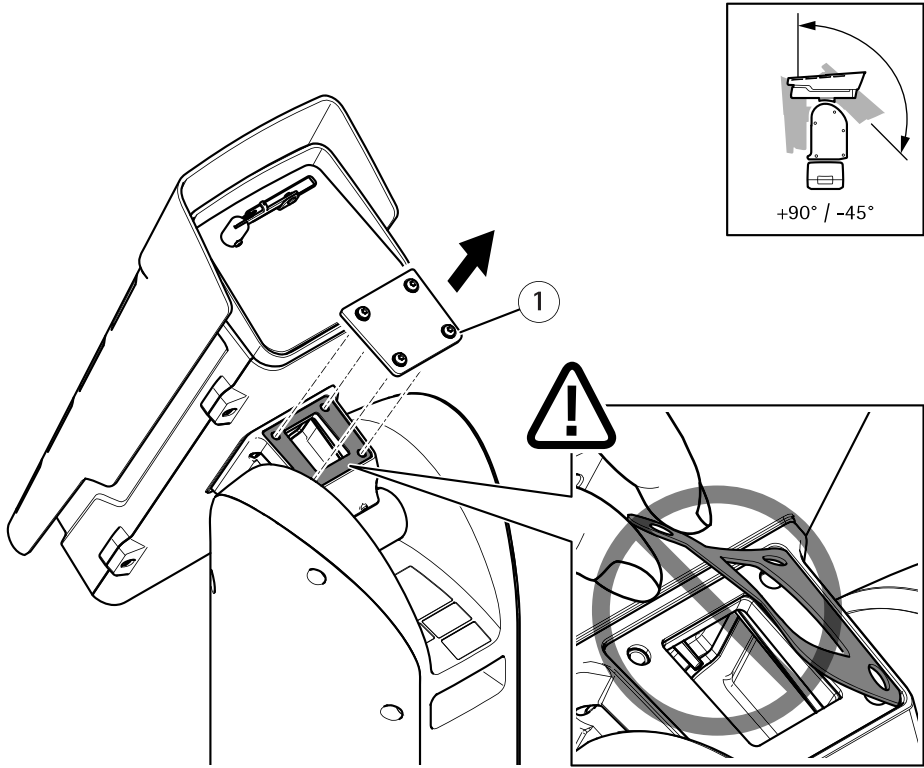


DE

⚠VORSICHT

Der Strahler kann bei Normalbetrieb außen sehr heiß werden. Berühren Sie die Leuchten nicht. Platzieren Sie das Gerät so, dass kein Zugang für nicht autorisierte Personen besteht. Vor dem Berühren der Strahler diese ausschalten und mindestens 10 Minuten abkühlen lassen.

AXIS Q8685-LE PTZ Network Camera

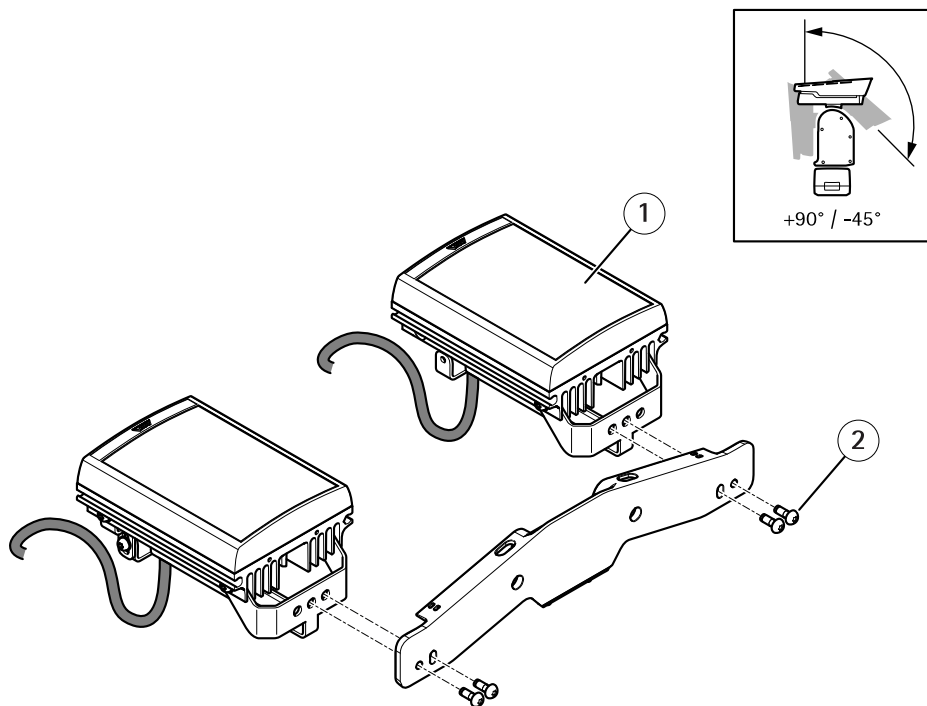


1 Abdeckung

1. Die vier unverlierbaren Schrauben (T20) der Abdeckung entfernen und die Abdeckung abnehmen.

Wichtig

Sicherstellen, dass die Dichtung unter der Abdeckung in Einbaulage verbleibt.

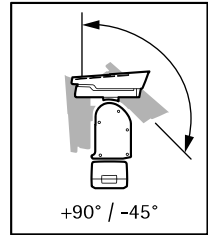
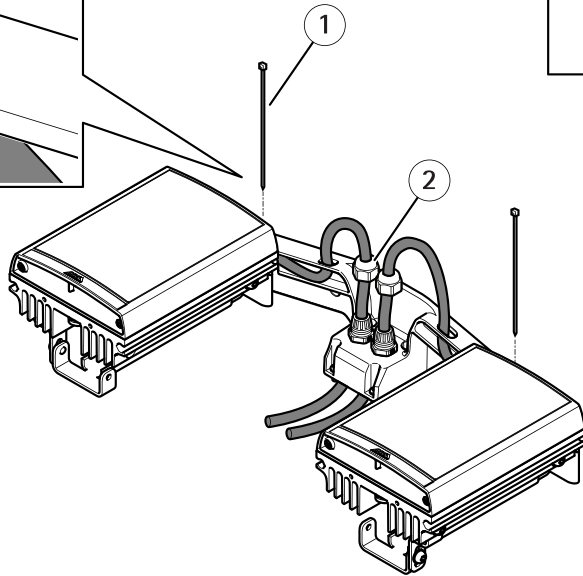
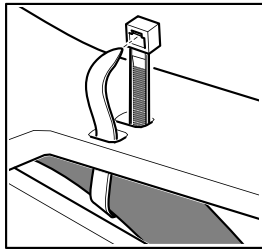


DE

- 1 Strahler (2 St.)
- 2 Schrauben (M6, 4 St.)

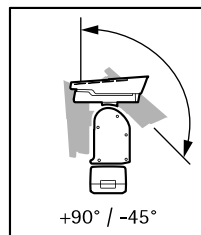
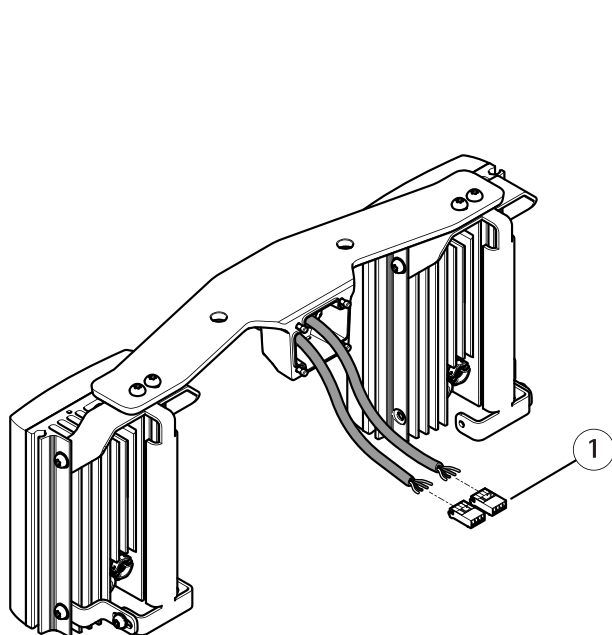
2. Die Strahler mit den vier Schrauben und Unterlegscheiben an den Halterungen befestigen.

AXIS Q8685-LE PTZ Network Camera



- 1 Kabelbinder (2 St.)
- 2 Hutmuttern (2 St.)

3. Die Kabel laut der Abbildung oben verlegen. Dann die Hutmuttern mit einem Drehmoment von 1,5 Nm anziehen.
4. Die Strahlerkabel mithilfe von Kabelbindern an der Halterung befestigen.

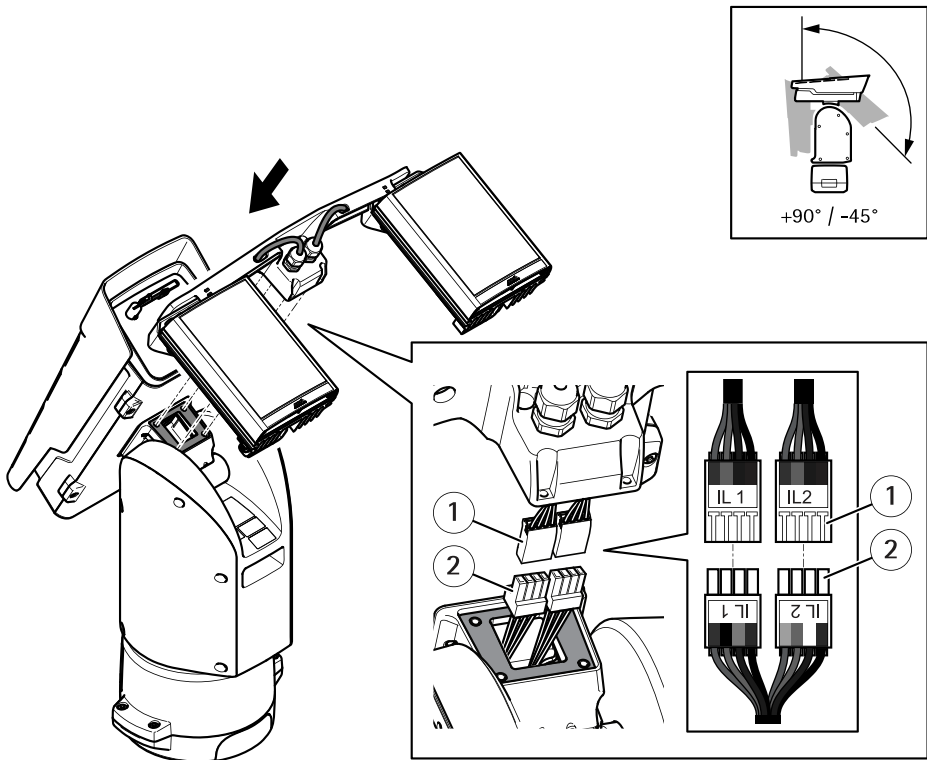


DE

1 Strahleranschlüsse (2 x)

5. Die Anschlüsse anbringen. Siehe *Anschlüsse auf Seite 177*.

AXIS Q8685-LE PTZ Network Camera



- 1 Anschlüsse vom Strahler (2 x)
- 2 Anschlüsse von der Stelleinheit (2 x)

6. Die Kabel anschließen. Siehe *Anschlüsse auf Seite 177*.
7. Die Strahlerhalterung mit den vier Schrauben (T20, Drehmoment 3,0 Nm) an der Positionierungseinheit befestigen.

Zugriff auf das Produkt

Ermitteln Sie mit *AXIS IP Utility* und *AXIS Device Manager* die Axis Geräte im Netzwerk und weisen Sie ihnen unter *Windows®* IP-Adressen zu. Beide Anwendungen sind kostenlos und können von axis.com/support heruntergeladen werden.

Weitere Informationen zur Nutzung dieses Produkts finden Sie im Benutzerhandbuch auf axis.com.

Die umgekehrte Kameraausrichtung konfigurieren

Hinweis

Diese Anleitung gilt nur für die umgekehrte Ausrichtung.

Wichtig

Diese Anleitung gilt nur für Geräte, die mit Firmware arbeiten, die älter als v8.40 ist.

1. Die Webseite des Produkts aufrufen.
2. **Einstellungen > System Options > Maintenance (Setup > Systemoptionen > Wartung)** aufrufen und **Default (Standard)** anklicken.
3. Das Zurücksetzen der Kamera abwarten.
4. Die Webseite des Produkts aufrufen.
5. Gehen Sie zu **Setup > PTZ > Erweitert > Gerät > Erweiterte treiberspezifische Einstellungen für Videoquelle 1**.
6. Die Option **Konfiguration Kameragehäuse** aufrufen und **Vertikal umgekehrt** wählen.
7. **Speichern** anklicken.

DE

Wichtig

Diese Anleitung gilt nur für Geräte, die mit Firmware arbeiten, die neuer als v8.40 ist.

1. Die Webseite des Produkts aufrufen.
2. **Einstellungen > System > Wartung** aufrufen und **Standard** anklicken.
3. Das Zurücksetzen der Kamera abwarten.
4. Die Webseite des Produkts aufrufen.
5. **Einstellungen > System > Einfache Konfiguration > PTZ** aufrufen.
6. Die Option **Konfiguration Kameragehäuse** aufrufen und **Vertikal umgekehrt** wählen.
7. **Speichern** anklicken.

Aktivieren des Strahlersatzes

Wichtig

Diese Anleitung gilt nur für Geräte, die mit Firmware arbeiten, die älter als v8.40 ist.

1. Die Webseite des Produkts aufrufen.
2. Gehen Sie zu **Setup > PTZ > Erweitert > Gerät > Erweiterte treiberspezifische Einstellungen für Videoquelle 1**.
3. Für **Strahler > Typ IL1**:
 - Wählen Sie **Infrarot**, wenn Sie einen Infrarotstrahler angeschlossen haben.
 - Wählen Sie **Weiß** für einen Weißlichtstrahler
4. Wiederholen Sie den oben genannten Schritt für **Strahler > Typ IL2**.

Wichtig

Diese Anleitung gilt nur für Geräte, die mit Firmware arbeiten, die neuer als v8.40 ist.

1. Die Webseite des Produkts aufrufen.
2. Rufen Sie **Settings > System > Zubehör** auf.
3. Für **Strahler > Typ IL1**:
 - Wählen Sie **Infrarot**, wenn Sie einen Infrarotstrahler angeschlossen haben.
 - Wählen Sie **Weiß** für einen Weißlichtstrahler
4. Wiederholen Sie den oben genannten Schritt für **Strahler > Typ IL2**.


Installieren einer SD-Speicherkarte (optional)

Mit einer Standard-SD-Karte oder einer SD-Karte mit großem Speichervolumen (nicht im Lieferumfang enthalten) können Aufzeichnungen direkt auf dem Produkt gespeichert werden. Vor dem Installieren der SD-Speicherkarte *Technische Daten auf Seite 177* beachten.


1. Das Produkt von der Stromversorgung trennen.
2. Die vier Schrauben der oberen Abdeckung lösen und die Abdeckung abnehmen.
3. Zum Einsetzen der SD-Karte in den SD-Karteneinschub siehe *Übersicht über die Hardware auf Seite 144*.
4. Die obere Abdeckung wieder anbringen und die Schrauben anziehen (Drehmoment 3,0 Nm).
5. Das Produkt wieder an die Stromversorgung anschließen.

Zurücksetzen auf Werkseinstellungen

▲VORSICHT

 Verletzungsgefahr Gefahr durch bewegliche Teile Körperteile während des Betriebs vom Produkt fernhalten. Vor der Installation oder Wartung des Produkts alle Kabel von der Stromversorgung abklemmen.

▲VORSICHT

 Verletzungsgefahr Heiße Oberfläche Das Produkt während des Betriebs nicht berühren. Vor der Wartung des Produkts die Oberflächen abkühlen lassen.

Wichtig

Das Zurücksetzen auf die Werkseinstellungen muss mit Umsicht geschehen. Beim Zurücksetzen auf die Werkseinstellungen werden alle Einstellungen einschließlich der IP-Adresse auf die Werkseinstellungen zurückgesetzt.

Hinweis

Die Software-Tools für die Installation und Verwaltung sind über die Supportseiten unter www.axis.com/support/downloads verfügbar.

Das Produkt auf Werkseinstellungen zurücksetzen:

1. Das Produkt von der Stromversorgung trennen.
2. Die vier Schrauben der oberen Abdeckung lösen und die Abdeckung abnehmen.
3. Die Stellung des Werkseinstellungsschalters ändern. Siehe dazu *Übersicht über die Hardware auf Seite 144*.
4. Die obere Abdeckung wieder anbringen und die Schrauben anziehen (Drehmoment 3,0 Nm).
5. Das Produkt wieder an die Stromversorgung anschließen.

Die Parameter können auch über die Weboberfläche auf die Werkseinstellungen zurückgesetzt werden.

Weitere Informationen

- Installationsanleitung und Benutzerhandbuch des Geräts finden Sie unter *axis.com*.
- Unter *axis.com/support* finden Sie die aktuelle Firmwareversion für Ihr Gerät.
- Nützliche Schulungen, Webinare, Anleitungen und Leitfäden finden Sie unter *axis.com/academy*.

Optionales Zubehör

Eine vollständige Liste lieferbaren Zubehörs für dieses Produkt finden Sie auf *axis.com* unter Produkt, Software und Zubehör.


Gewährleistungsinformationen

Informationen zur Gewährleistung für Axis Produkte und andere in diesem Zusammenhang relevante Informationen finden Sie unter *axis.com/warranty*.


Technische Daten

Einschub für SD-Speicherkarte

▲VORSICHT

 Verletzungsgefahr Gefahr durch bewegliche Teile Körperteile während des Betriebs vom Produkt fernhalten. Vor der Installation oder Wartung des Produkts alle Kabel von der Stromversorgung abklemmen.

▲VORSICHT

 Verletzungsgefahr Heiße Oberfläche Das Produkt während des Betriebs nicht berühren. Vor der Wartung des Produkts die Oberflächen abkühlen lassen.

HINWEIS

- Gefahr von Schäden an der SD-Karte. Beim Einsetzen oder Entfernen der SD-Karte keine scharfen Werkzeuge oder Gegenstände aus Metall benutzen und keine übermäßige Kraft anwenden. Setzen Sie die Karte per Hand ein. Das Gleiche gilt für das Entfernen.
- Gefahr von Datenverlust und Beschädigung von Aufzeichnungen. Die SD-Karte darf nicht entfernt werden, während das Produkt in Betrieb ist. Erst die SD-Karte über die Produktwebseite trennen, dann ausbauen.

Dieses Axis Produkt unterstützt Karten des Typs SD/SDHC/SDXC.

Für Empfehlungen zu SD-Karten siehe axis.com.

Anschlüsse

Netzwerk-Anschluss

RJ45-Ethernetanschluss.

SFP-Anschluss.

HINWEIS

Das Produkt muss mit einem abgeschirmten Netzwerk-Kabel (STP) oder einem Glasfaserkabel angeschlossen werden. Alle Kabel, die das Produkt mit dem Netzwerk-Switch verbinden, müssen hierfür ausgelegt sein. Stellen Sie sicher, dass die Netzwerk-Geräte gemäß den Anweisungen des Herstellers installiert wurden. Informationen zu gesetzlichen Bestimmungen finden Sie unter .

E/A-Anschluss

Über den E/A-Anschluss werden externe Geräte in Verbindung mit Manipulationsalarmen, Bewegungserkennung, Ereignisauslösung, Alarmbenachrichtigungen und anderen Funktionen angeschlossen. Außer dem Bezugspunkt 0 V Gleichstrom und Strom (Gleichstromausgang) besitzt der E/A-Anschluss eine Schnittstelle zum:

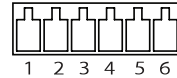
AXIS Q8685-LE PTZ Network Camera

Digitaleingang – Zum Anschluss von Geräten, die zwischen geöffnetem und geschlossenem Schaltkreis wechseln können wie etwa PIR-Sensoren, Tür- und Fensterkontakte sowie Glasbruchmelder.

Digitalausgang – Zum Anschluss externer Geräte wie Relais und LEDs. Die angeschlossenen Geräte können über die Anwendungsprogrammierschnittstelle VAPIX®, ein Ereignis oder die Produktwebseite aktiviert werden.

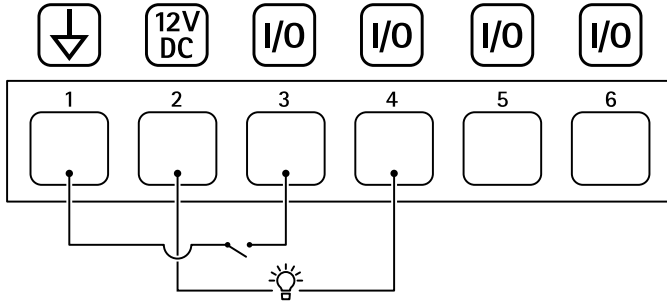
Digitaler Lichtsensor – Um Werte der Umgebungslichtstärke von einem externen Lichtsensor zu empfangen. Dient zur Steuerung der Tag- und Nachtfunktionalität des Produkts.

6-poliger konfigurierbarer Anschlussblock



Funktion	Kontakt	Hinweise	Technische Angaben
Erdung Gleichstrom	1		0 V Gleichstrom
Gleichstromausgang	2	Darf für die Stromversorgung von Zusatzgeräten verwendet werden. Hinweis: Dieser Kontakt darf nur für den Stromausgang verwendet werden.	12 V DC Max. Stromstärke = 50 mA
Konfigurierbar (Ein- oder Ausgang)	3–6	Digitaleingang – Zum Aktivieren an Kontakt 1 anschließen, zum Deaktivieren nicht anschließen.	0 bis max. 30 V Gleichstrom
		Digitaler Ausgang – Interne Verbindung mit Kontakt 1 (Gleichstrom Erdschluss), wenn aktiviert; unverbunden, wenn deaktiviert. Bei Verwendung mit einer induktiven Last, wie etwa einem Relais, muss zum Schutz vor Spannungssprüngen eine Diode parallel zur Last geschaltet werden.	0 bis max. 30 V Gleichstrom, Open-Drain, 100 mA

Beispiel



- 1 Erdung Gleichstrom
- 2 Gleichstromausgang 12 V, max. 50 mA
- 3 E/A als Eingang konfiguriert
- 4 E/A als Ausgang konfiguriert
- 5 Konfigurierbarer E/A
- 6 Konfigurierbarer E/A

DE

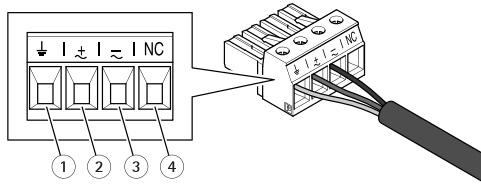
Stromanschluss

4-poliger Anschlussblock für den Stromeingang.

Netzanschluss 24 V, Wechselstrom/Gleichstrom

HINWEIS

Dieser Abschnitt bezieht sich nur auf Produkte mit Stromversorgung 24 V Wechselstrom und 24 V Gleichstrom.



Diese Tabelle bezieht sich nur auf die Stromanschlüsse mit 24 V Wechselstrom und 24 V mit Gleichstrom.

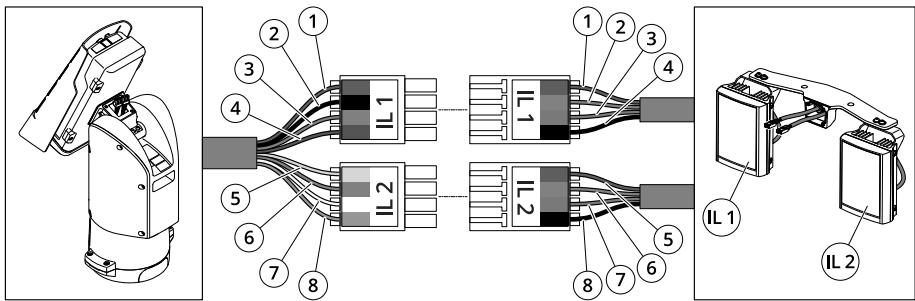
Position	24 V Wechselstrom	24 V Gleichstrom
1	Schutzerde	Schutzerde
2	Phase 24 V Wechselstrom	+ 24 V

AXIS Q8685-LE PTZ Network Camera

Diese Tabelle bezieht sich nur auf die Stromanschlüsse mit 24 V Wechselstrom und 24 V mit Gleichstrom. (Fortlaufend)

Position	24 V Wechselstrom	24 V Gleichstrom
3	Nullleiter 24 V Wechselstrom	0 V
4	Nicht verbunden	Nicht verbunden

Strahleranschlüsse



	Position	Kabelfarbe (Stelleinheit)	Kabelfarbe (Strahler)	Beschreibung
IL1	1	Rot	Rot	+24 V IL
	2	Schwarz	Orange	IL1 +VE
	3	Grau	Violett	IL1 -VE
	4	Blau	Schwarz	GND
IL2	5	Gelb	Rot	+24 V IL
	6	Orange	Orange	IL2 +VE
	7	Weiß	Violett	IL2 -VE
	8	Grün	Schwarz	GND

Kabel

Kabelstärke

Wenn die dem Produkt beiliegenden Kabeldichtungen verwendet werden, muss der Kabeldurchmesser zwischen 5 und 11 mm liegen.

HINWEIS

- Kabel verwenden, die der Querschnittsvorgabe entsprechen.
- Kabel verwenden, die den örtlichen Vorschriften entsprechen.
- Sicherstellen, dass alle Kabeldurchführungen ordnungsgemäß abgedichtet sind.
- Kabeldichtungen oder Kabelverschraubungen verwenden, die sowohl der Kabeldurchführung als auch dem Kabelquerschnitt entsprechen.

Für Informationen zu Zubehör wie Kabeldichtungen und Kabelverschraubungen für andere Kabelquerschnitte, siehe <1>www.axis.com.

Betriebsbedingungen

Dieses Axis-Produkt ist für die Verwendung im Innen- und Außenbereich ausgelegt.

Temperatur	Luftfeuchtigkeit
Normal: -50 °C bis +55 °C Maximal (kurzzeitig) 65 °C Kaltstart: -40 °C bis +55 °C	Relative Luftfeuchtigkeit 10 bis 100 % (nicht kondensierend)

Leistungsaufnahme

Typischer Stromverbrauch	Max. Stromverbrauch
Ohne Beleuchtung: 16 W Mit Beleuchtung: 64 W	Ohne Beleuchtung: 204 W Mit Beleuchtung: 300 W

Wichtig

Bei Verwendung des AXIS Kabels 24 V Gleichstrom/24–240 V Wechselstrom mit 22 m Länge muss das Stromversorgungskabel 400 W liefern können, um Leitungsverluste auszugleichen.

HINWEIS

Die typischen Werte der Leistungsaufnahme basieren auf folgenden Annahmen:

- Leitungsverluste im Stromversorgungskabel nicht berücksichtigt

AXIS Q8685-LE PTZ Network Camera

- Keine Positionierung aktiv
- Kein Wischermotor aktiv
- Temperatur beträgt 25 °C (alle Heizungen ausgeschaltet)
- Ein H.264-Stream mit maximaler Auflösung
- Aufzeichnen eines MJPEG-Streams auf SD-Karte
- IR-Leuchten 50 % der Zeit eingeschaltet (mit Beleuchtung)

Informazioni di sicurezza

Livelli di pericolo

▲PERICOLO

Indica una situazione pericolosa che, se non evitata, provoca morte o lesioni gravi.

▲AVVISO

Indica una situazione pericolosa che, se non evitata, potrebbe provocare la morte o lesioni gravi.

▲ATTENZIONE

Indica una situazione pericolosa che, se non evitata, potrebbe provocare lesioni medie o minori.

AVVISO

Indica una situazione che, se non evitata, potrebbe danneggiare la proprietà.

IT

Altri livelli di messaggio

Importante

Indica informazioni importanti, essenziali per il corretto funzionamento del dispositivo.

Nota

Indica informazioni utili che aiutano a ottenere il massimo dal dispositivo.

Informazioni di sicurezza


⚠ PERICOLO

Rischio di scosse elettriche. Tutti i cavi devono essere diseccitati prima di installare o eseguire la manutenzione sul dispositivo.


⚠ AVVISO

Il dispositivo Axis deve essere installato da un professionista qualificato, in conformità alle leggi e alle disposizioni locali.


⚠ ATTENZIONE

 Questo dispositivo emette infrarossi. Potrebbe essere dannoso per gli occhi. Evita che gli occhi vi siano esposti. Utilizza una schermatura o una protezione per gli occhi.

⚠ ATTENZIONE

 Parti in movimento. Rischio di lesioni. Tenere il corpo distante dal dispositivo durante il funzionamento. Scollegare dall'alimentazione prima di installare o eseguire la manutenzione sul dispositivo.

⚠ ATTENZIONE

 Superficie calda. Rischio di lesioni. Non toccare il dispositivo durante il funzionamento. Scollegare dall'alimentazione e lasciar raffreddare le superfici prima di eseguire la manutenzione sul dispositivo.

AVVISO

- Il dispositivo Axis deve essere utilizzato in conformità alle leggi e alle normative locali.
- Conservare il dispositivo Axis in un ambiente asciutto e ventilato.
- Evitare di esporre il dispositivo Axis a urti o pressioni eccessive.
- Non installare il dispositivo su supporti, superfici, pareti o pali instabili.
- Utilizzare solo strumenti applicabili quando si installa il dispositivo Axis. Se si utilizza una forza eccessiva con strumenti non adatti è possibile causare danni al dispositivo.
- Non utilizzare sostanze chimiche, agenti caustici o detersivi aerosol.
- Utilizzare un panno pulito inumidito in acqua pura per la pulizia.
- Utilizzare solo accessori compatibili con le specifiche tecniche del dispositivo. Questi possono essere forniti da Axis o da terze parti. Axis consiglia l'uso dell'apparecchiatura di alimentazione Axis compatibile con il dispositivo.
- Utilizzare solo parti di ricambio fornite o consigliate da Axis.
- Non tentare di riparare il dispositivo da soli. Contattare l'assistenza o il rivenditore Axis per questioni relative alla manutenzione.
- Non rivolgere l'obiettivo della telecamera verso il sole o altre sorgenti di radiazioni molto intense poiché si potrebbe danneggiare la telecamera.
- Utilizzare un cavo di messa a terra giallo o verde di almeno 0,5 mm² o 20 AWG.

Trasporto

AVVISO

- Durante il trasporto del dispositivo Axis, utilizzare l'imballaggio originale o equivalente per evitare danni al dispositivo.

Batteria

Il dispositivo Axis utilizza una batteria al litio da 3 V BR2032 come alimentazione per il suo orologio in tempo reale (RTC) interno. In condizioni normali questa batteria avrà una durata minima di cinque anni.

⚠ATTENZIONE

Non sostituire la batteria da soli. Contattare l'assistenza di Axis se il messaggio di registro richiede una sostituzione della batteria.

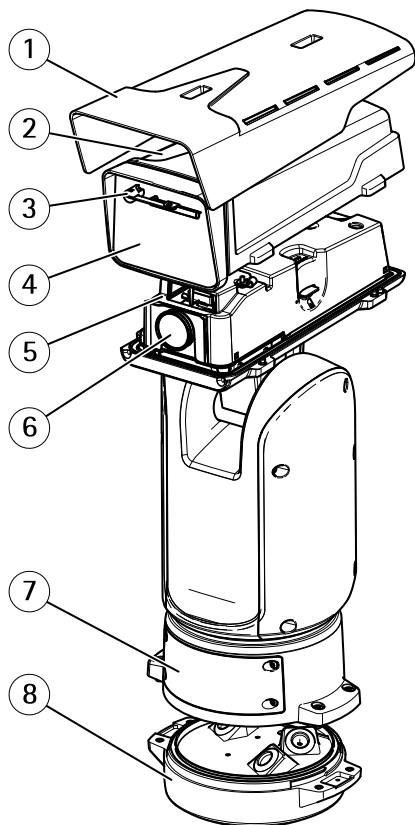
IT

Le batterie a bottone al litio da 3 V contengono 1,2-dimetossietano; etere dimetilico di glicole etilenico (EGDME), CAS n. 110-71-4.

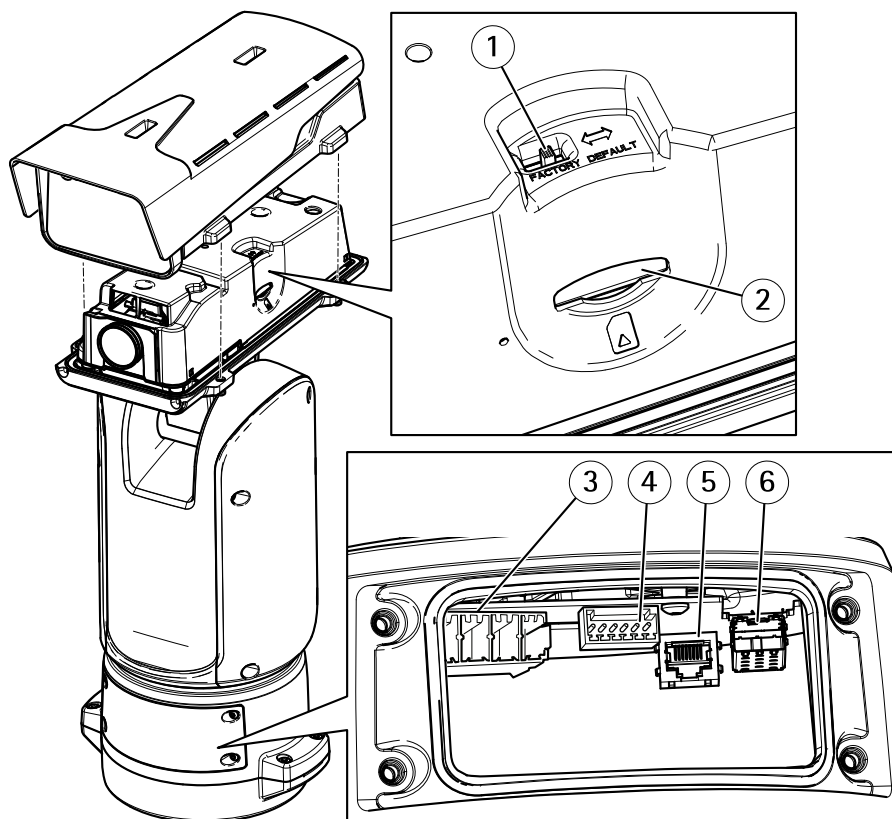
Contenuto della confezione

- Telecamera di rete AXIS Q8685-LE PTZ
- Kit illuminatore IR PT C di AXIS
- Connettore di alimentazione
- Connettore I/O
- Punta Torx® T20 e T30
- Documentazione
 - Guida all'installazione (questo documento)
 - Etichetta aggiuntiva con numero di serie (2x)
 - Chiave di autenticazione AVHS

Panoramica dell'hardware



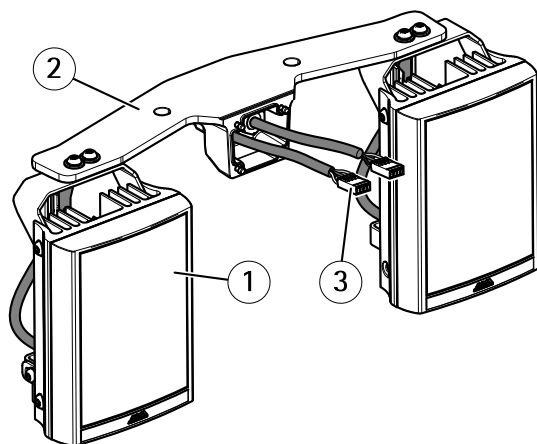
- 1 *Parasole*
- 2 *Protezione superiore*
- 3 *Tergicristallo*
- 4 *Finestra anteriore*
- 5 *Coperchio interno*
- 6 *Obiettivo*
- 7 *Coperchio*
- 8 *Unità base*



IT

- 1 Ripristino dei valori predefiniti di fabbrica
- 2 Slot per scheda di memoria SD
- 3 Connettore ingresso alimentazione
- 4 Connettore I/O
- 5 Connettore RJ45
- 6 Slot SFP per modulo SFP (modulo SFP non incluso)

AXIS Q8685-LE PTZ Network Camera



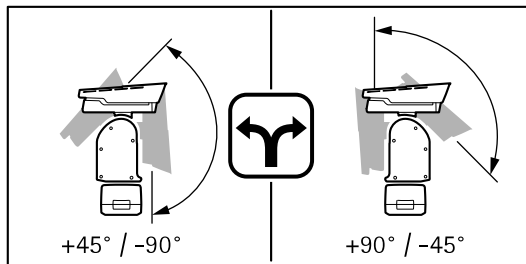
- 1 *Illuminatore (x2)*
- 2 *Staffa illuminatore*
- 3 *Connettore illuminatore (x2)*

Come installare il dispositivo

Attività d'installazione principali

1. *Montaggio dell'unità base a pagina 191*
2. *Installazione dei cavi a pagina 193*
3. *Installazione del collegamento di rete a pagina 198*
4. *Collegamento dei cavi a pagina 199*
5. Installazione del kit dell'illuminatore. Seguire una delle due installazioni:
 - *Installazione del kit dell'illuminatore (installazione predefinita) a pagina 201*
 - *Installazione invertita a pagina 207, seguita da Installare il kit dell'illuminatore (installazione invertita) a pagina 210*
6. *Modalità di accesso al dispositivo a pagina 216*
7. *Impostazione della configurazione invertita a pagina 216*
8. *Abilitazione del kit dell'illuminatore a pagina 217*
9. *Installazione di una scheda di memoria (opzionale) a pagina 218*

IT



▲PERICOLO

Rischio di scosse elettriche. Tutti i cavi non saranno sotto tensione prima di installare il dispositivo.

▲ATTENZIONE

Le connessioni elettriche e l'installazione dei tubi protettivi devono essere effettuate da un elettricista certificato e in conformità alle normative locali.

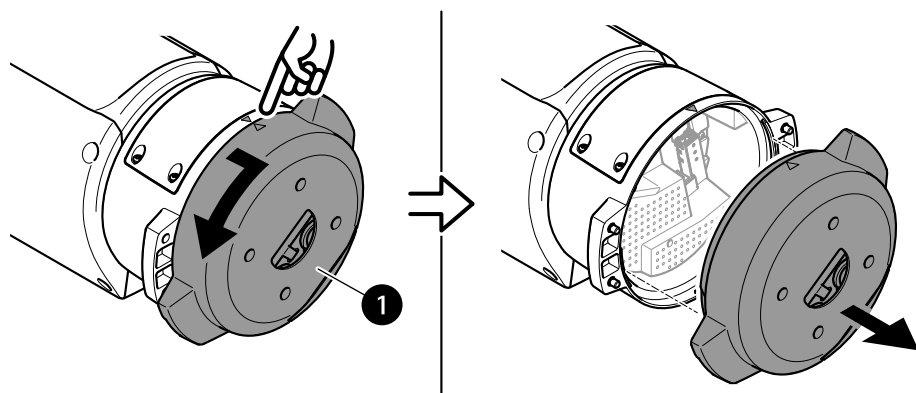
▲ATTENZIONE

⚠ Rischio di lesioni. Parti in movimento. Tenere il corpo a distanza dal dispositivo durante il funzionamento. Scollegare dall'alimentazione prima di installare o eseguire la manutenzione sul dispositivo.

▲ATTENZIONE

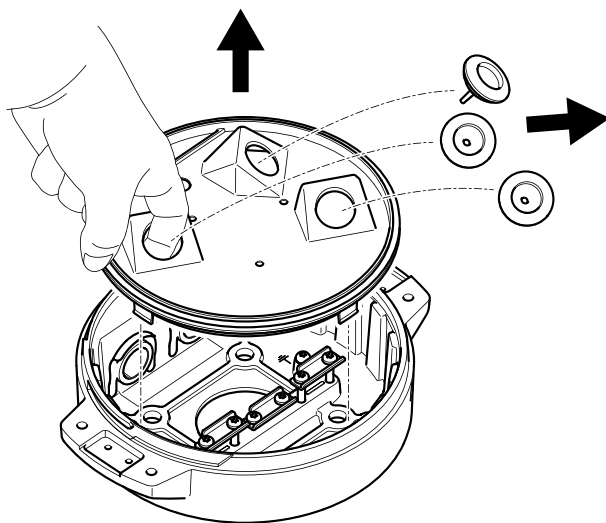
⚠ Rischio di lesioni. Superficie calda. Non toccare il dispositivo durante il funzionamento. Scollegare dall'alimentazione e lasciar raffreddare le superfici prima di eseguire la manutenzione sul dispositivo.

Montaggio dell'unità base



1 Unità base

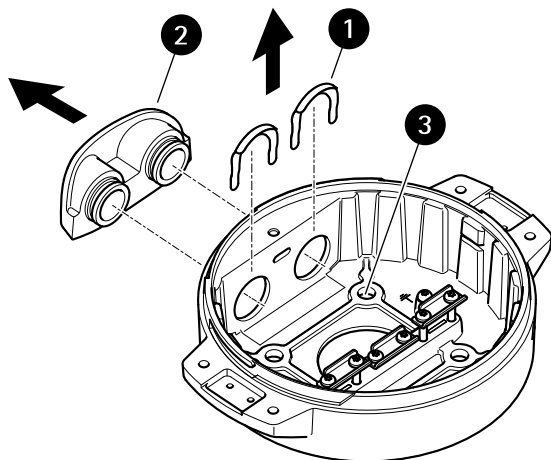
1. Rimuovere le quattro viti (T30) dell'unità base.
2. Estrarre e ruotare simultaneamente l'unità base in senso antiorario finché le frecce sull'unità base e sul resto dell'unità di posizionamento non si allineano.
3. Rimuovere l'unità base.



AVVISO

Non utilizzare strumenti appuntiti quando si rimuove il coperchio trasparente dell'unità base.

4. Rimuovere il coperchio trasparente dell'unità base.



- 1 Clip del coperchio del tubo protettivo
- 2 Coperchio del tubo protettivo
- 3 Foro per vite (x4)

5. Solo per le installazioni di tubi protettivi: rimuovere le due clip del coperchio del tubo protettivo e poi il coperchio del tubo protettivo stesso.
6. Fissare l'unità base alla superficie di montaggio con i fissaggi appropriati nei quattro fori delle viti.

Installazione dei cavi

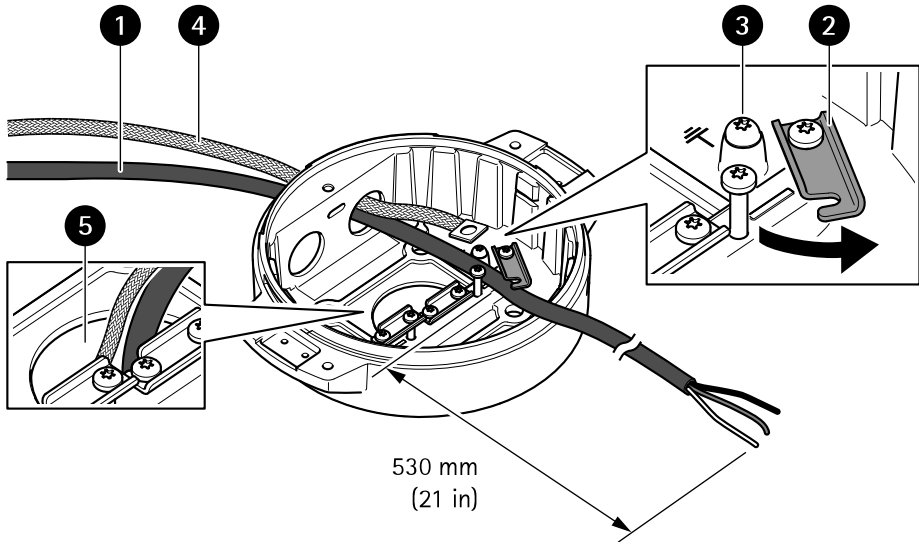
AVVISO

Rischio di scosse elettriche. Questo dispositivo deve essere collegato a terra utilizzando il cavo di messa a terra di protezione nel cavo di alimentazione e la treccia di messa a terra. Assicurarsi che entrambe le estremità del cavo di messa a terra di protezione e della treccia di messa a terra siano in contatto con le rispettive superfici di messa a terra.

Importante

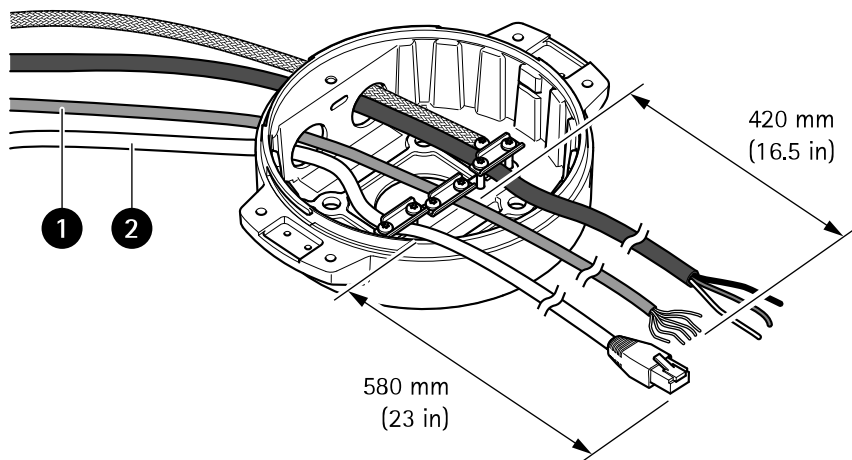
Utilizzare solo cavi conformi all'area dei cavi specificata. Per ulteriori informazioni, vedere *Spessore del cavo a pagina 225*.

AXIS Q8685-LE PTZ Network Camera



- 1 *Cavo di alimentazione (non incluso)*
- 2 *Dispositivo antistrappo*
- 3 *Vite di messa a terra*
- 4 *Treccia di messa a terra (non inclusa)*
- 5 *Foro per cavo inferiore*

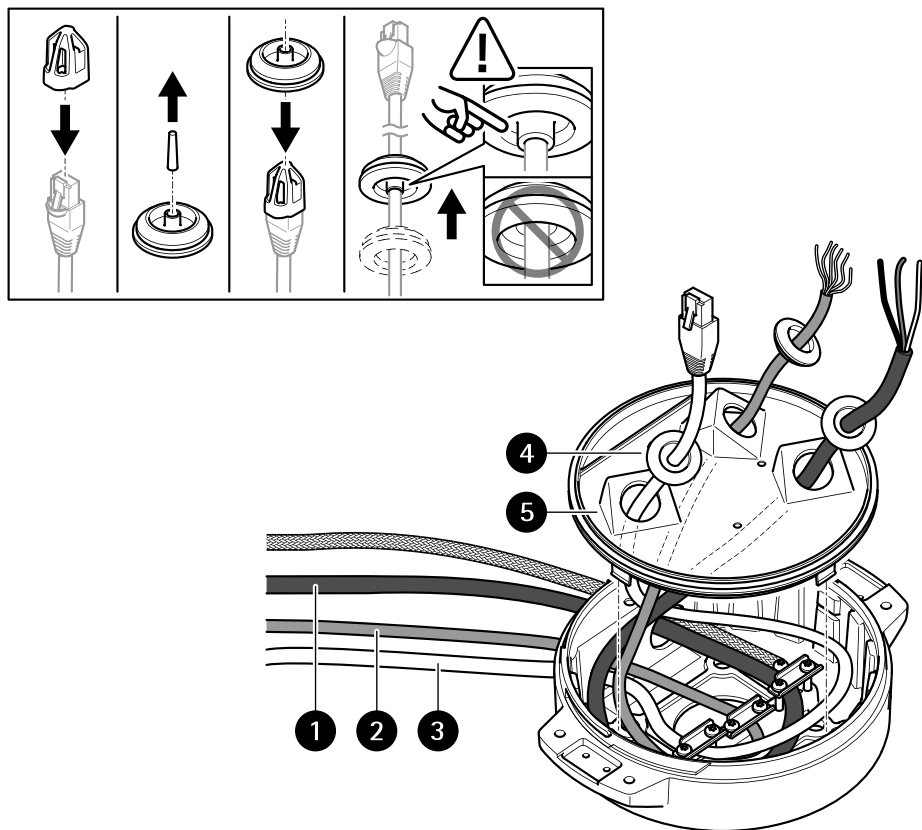
1. Installare gli adattatori dei tubi protettivi opzionali (non inclusi).
2. Collegare la treccia di messa a terra alla vite della messa a terra.
3. Inserire il cavo di alimentazione, il cavo di rete e il cavo I/O attraverso il foro nell'unità base come mostrato nell'illustrazione sopra riportata. In alternativa, inserirli nel foro del cavo inferiore.
4. Inserire il cavo di alimentazione nel dispositivo antistrappo con una distanza di 530 mm tra il dispositivo antistrappo e l'estremità del cavo.



- 1 *Cavo I/O (opzionale, non incluso)*
- 2 *Cavo di rete (non incluso)*

5. Inserire il cavo I/O (opzionale) nel dispositivo antistrappo con una distanza di 420 mm tra il dispositivo antistrappo e l'estremità del cavo.
6. Inserire il cavo di rete (cavo in fibra ottica e/o cavo RJ45) nel dispositivo antistrappo ad una distanza di 580 mm dal dispositivo antistrappo all'estremità del connettore. Per ulteriori informazioni sulle differenti opzioni di connettività di rete, vedere *Installazione del collegamento di rete a pagina 198*.
7. Chiudere e avvitare i tre dispositivi antistrappo.

AXIS Q8685-LE PTZ Network Camera



- 1 Cavo di alimentazione (non incluso)
- 2 Cavo I/O (opzionale, non incluso)
- 3 Cavo di rete (non incluso)
- 4 Guarnizione per cavi
- 5 Coperchio trasparente dell'unità base

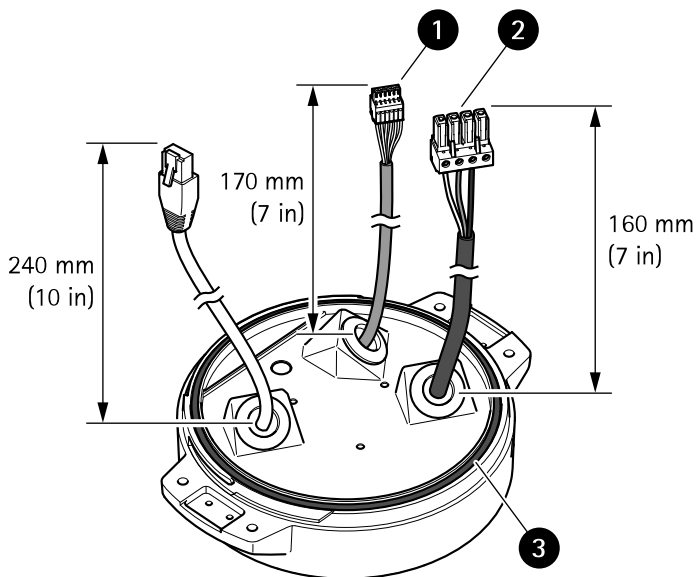
8. Inserire le guarnizioni sui cavi. Vedere *Spessore del cavo a pagina 225*.
9. Inserire il cavo di alimentazione, di rete e I/O comprese le guarnizioni attraverso i fori nel coperchio trasparente dell'unità base e sistemare i cavi come mostrato nell'illustrazione sopra riportata.

AWISO

Se si utilizzano un cavo in fibra ottica e un cavo RJ45 per la connettività di rete, instradare il cavo in fibra ottica attraverso la stessa guarnizione del cavo I/O. Applicare un sigillante

tra i cavi e la guarnizione per evitare dispersioni. Per ulteriori informazioni sulle differenti opzioni di connettività di rete, vedere *Installazione del collegamento di rete a pagina 198*.

10. Posizionare il coperchio trasparente sull'unità base e inserire le guarnizioni dei cavi nei fori.



- 1 Connettore I/O
- 2 Connettore di alimentazione
- 3 Anello di tenuta

AVVISO

Per non scollegare accidentalmente l'unità dall'alimentazione se il cavo viene tirato, fare in modo che il cavo di messa a terra di protezione sia più lungo degli altri due cavi (nel cavo di alimentazione) di circa 10 mm.

Nota

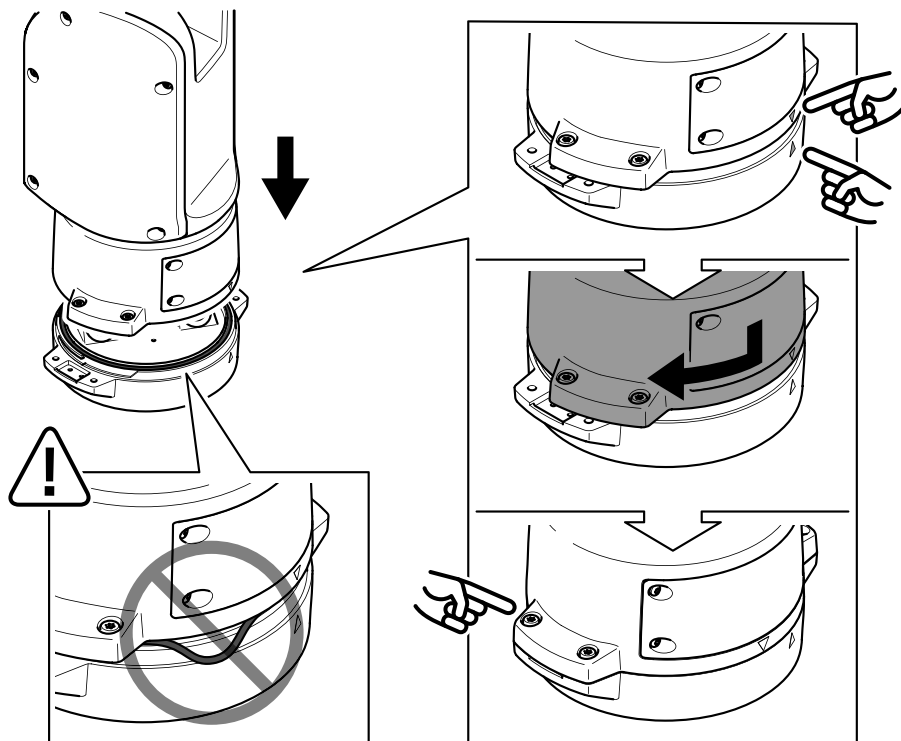
Per rendere l'installazione il più semplice possibile, si consiglia di togliere circa 90 mm del rivestimento del cavo di alimentazione e 70 mm del rivestimento del cavo I/O.

11. Installare i connettori di alimentazione e I/O.
12. Regolare i cavi di rete, I/O e di alimentazione in modo che la distanza dalla guarnizione del cavo all'estremità del connettore sia rispettivamente di 240 mm, 170 mm e 160 mm.

AXIS Q8685-LE PTZ Network Camera

AWISO

Assicurarsi che l'anello di tenuta sia correttamente fissato al coperchio trasparente dell'unità base.

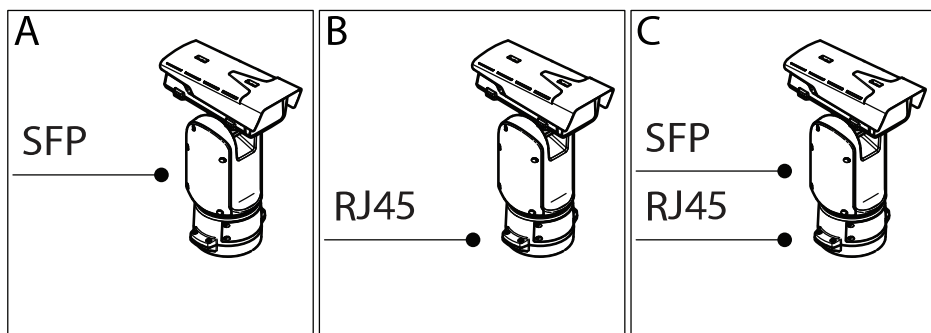


13. Collocare l'unità di posizionamento sull'unità base. Assicurarsi che le frecce sulle due unità siano allineate.
14. Ruotare l'unità di posizionamento in senso orario facendola tornare alla posizione originale e serrare le quattro viti dell'unità base (coppia 3,0 Nm).

AWISO

Accertarsi che i cavi non vengano schiacciati durante l'assemblamento delle due unità.

Installazione del collegamento di rete



IT

È possibile scegliere tra diverse opzioni quando si installa il collegamento di rete:

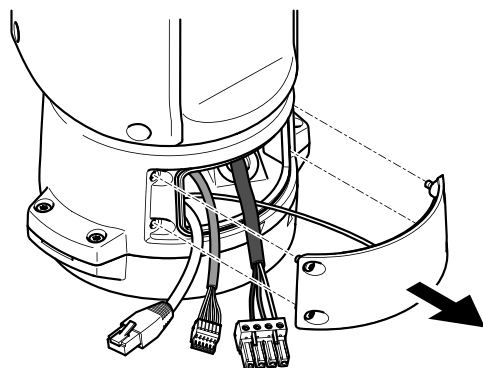
- A: tramite un cavo in fibra ottica o un cavo RJ45 collegato al modulo SFP (con un rispettivo connettore) nello slot SFP.
- B: tramite un cavo RJ45 collegato al connettore RJ45 fisso.
- C: tramite entrambe le opzioni precedenti. In tal caso la connessione tramite il modulo SFP funge da primo collegamento di rete e la connessione tramite RJ45 fisso funziona come collegamento di failover.

Per ulteriori informazioni sulle posizioni dei connettori di rete, vedere .

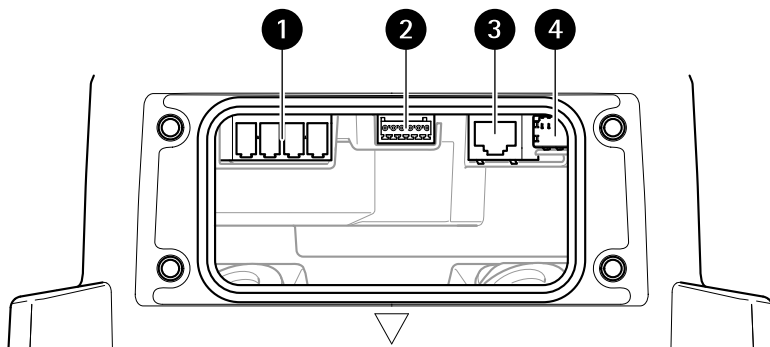
Nota

- Il modulo SFP non è incluso. Per ulteriori informazioni sui moduli SFP disponibili, vedere axis.com
- Se si installa un collegamento di rete solo tramite cavo in fibra ottica utilizzando il rispettivo modulo SFP, funziona come soluzione indipendente per le installazioni di cablaggi a lungo raggio.

Collegamento dei cavi

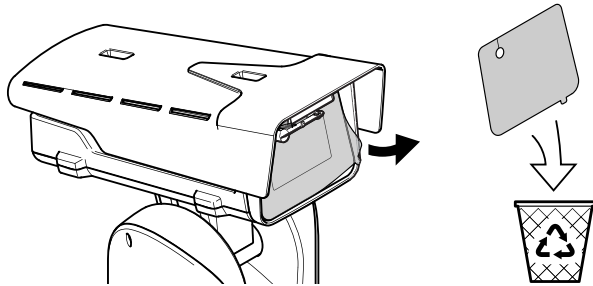


1. Allentare le quattro viti (T20) del coperchio e rimuoverlo.



- 1 Connettore ingresso alimentazione
- 2 Connettore I/O
- 3 Connettore RJ45
- 4 Slot SFP per modulo SFP (modulo SFP non incluso)

2. Collegare la rete (fibra ottica e/o RJ45), I/O e i cavi di alimentazione. Per ulteriori informazioni sulle differenti opzioni di connettività di rete, vedere *Installazione del collegamento di rete* a pagina 198.
3. Riportare il coperchio alla sua posizione e serrare le quattro viti del coperchio (coppia 3 Nm).



4. Rimuovere la copertura protettiva.
5. Applicare l'alimentazione al dispositivo.

IT

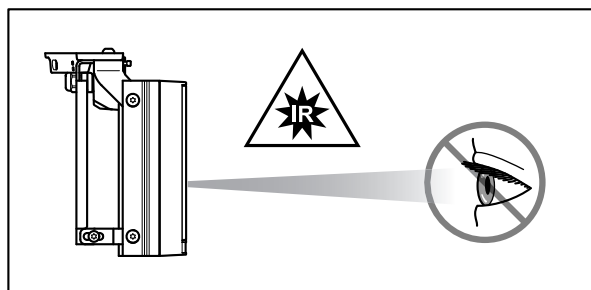
Installazione del kit dell'illuminatore (installazione predefinita)

▲AVVISO

Rischio di scosse elettriche. Assicurati che l'alimentazione sia scollegata.

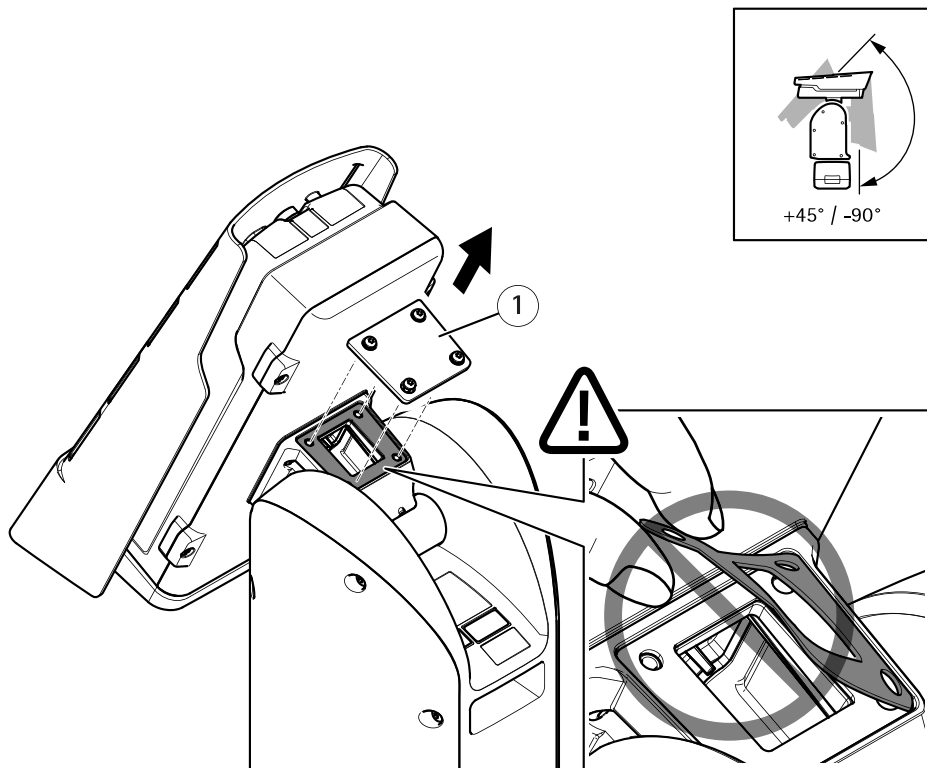
▲ATTENZIONE

⚠ Questo dispositivo emette infrarossi. Potrebbe essere dannoso per gli occhi. Evita che gli occhi vi siano esposti. Utilizza una schermatura o una protezione per gli occhi.



⚠ATTENZIONE

Durante il normale funzionamento, la superficie dell'illuminatore può raggiungere temperature elevate. Evitare il contatto diretto e posizionare l'apparecchio in un luogo inaccessibile a persone non autorizzate. Prima di toccarlo, spegnere l'illuminatore e lasciarlo raffreddare per almeno 10 minuti.



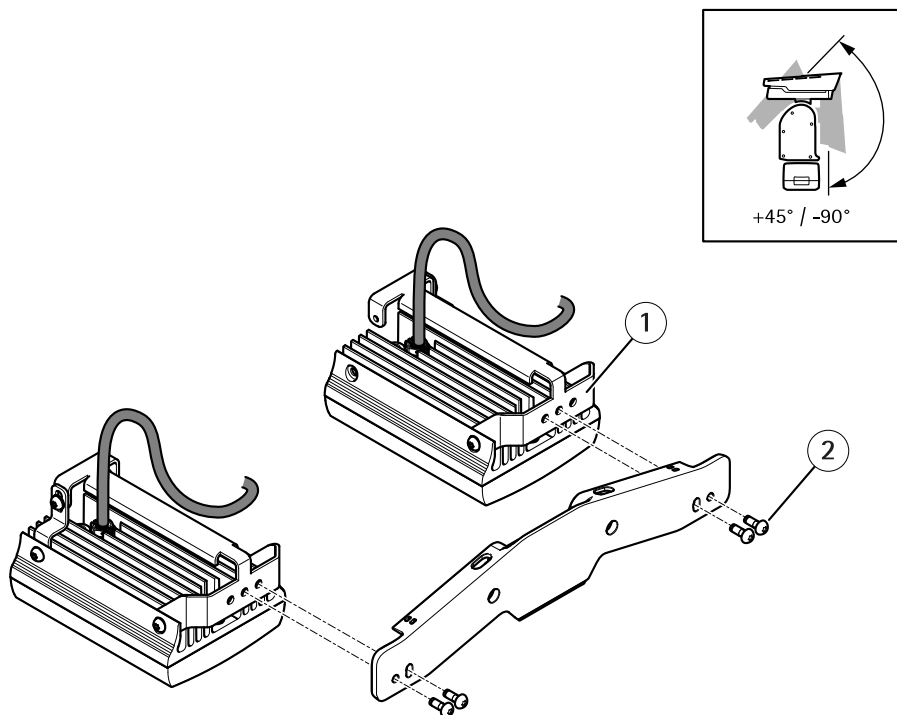
IT

1 Coperchio

1. Rimuovere le quattro viti della copertura (T20) e rimuoverla.

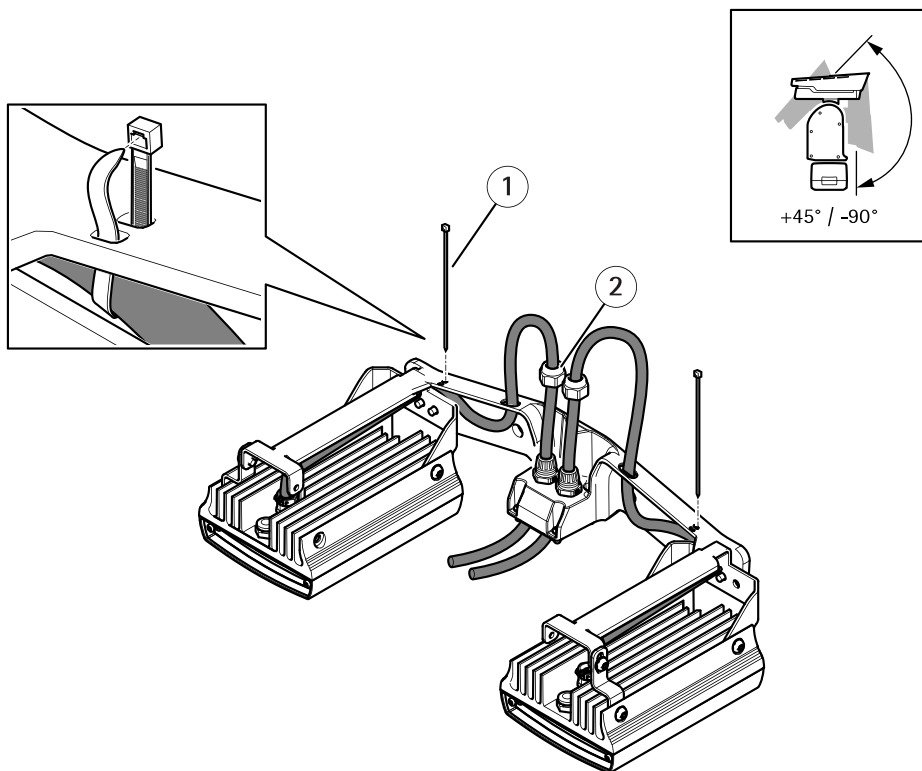
Importante

Assicurarsi che la guarnizione sotto il coperchio rimanga in posizione.



- 1 *Illuminatore (x2)*
- 2 *Vite (M6, x4)*

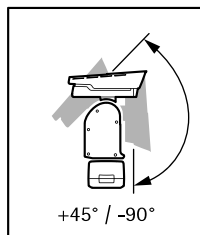
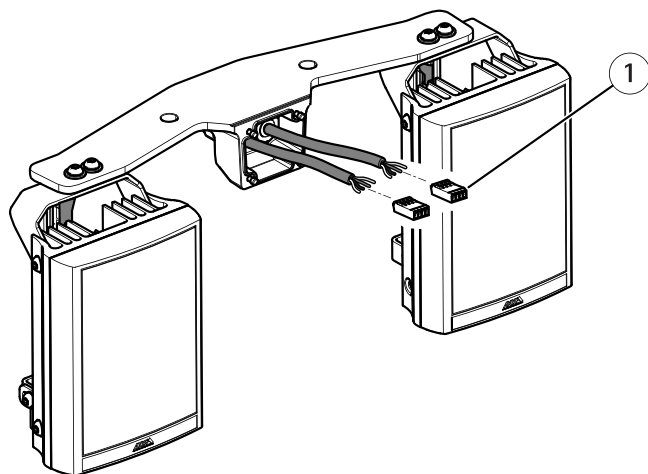
2. Fissare gli illuminatori alla staffa dell'illuminatore utilizzando le quattro viti.



IT

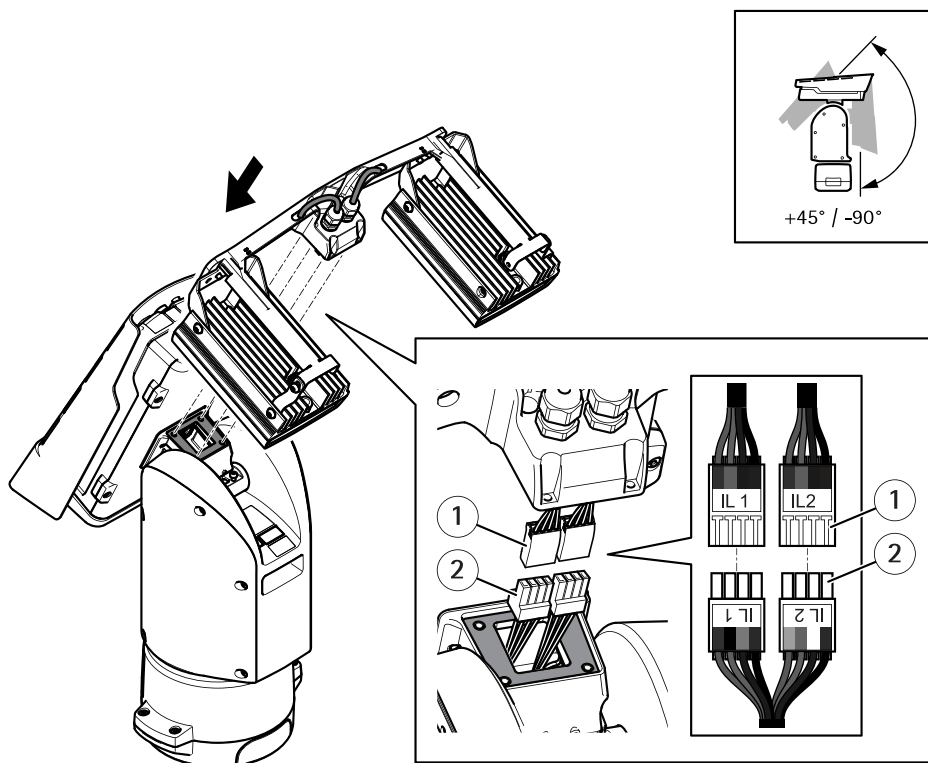
- 1 Fascetta (x2)
- 2 Dado (x2)

3. Instradare i cavi come mostrato nell'illustrazione sopra riportata e stringere i dadi (coppia da 1,5 Nm).
4. Fissare i cavi alla staffa dell'illuminatore utilizzando gli appositi tiranti.



1 Connettore illuminatore (x2)

5. Installare i connettori. Vedere *Connettori* a pagina 221.



IT

- 1 Connettore dall'illuminatore (x2)
- 2 Connettore dall'unità di posizionamento (x2)

6. Collegamento dei cavi. Vedere *Connettori a pagina 221*.
7. Fissare la staffa degli illuminatori all'unità di posizionamento utilizzando le quattro viti (T20, coppia da 3,0 Nm).

Nota

Per ulteriori informazioni sul funzionamento degli illuminatori, consultare il manuale del LED dell'illuminatore (controllare il modello sull'etichetta del dispositivo) e il Manuale per l'utente del dispositivo Axis compatibile all'indirizzo www.axis.com

Installazione invertita

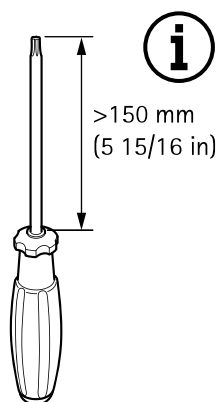
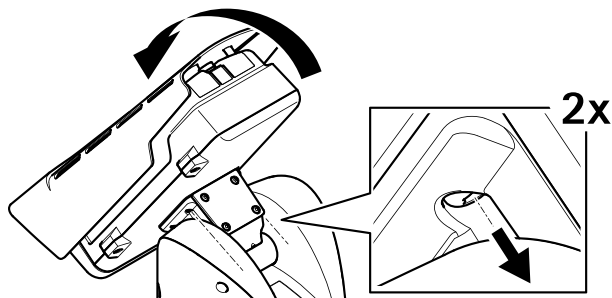
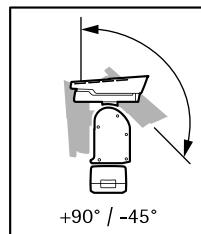
Nota

Seguire questa installazione per configurare l'alloggiamento della telecamera in una configurazione invertita, se viene preferita l'inclinazione diretta verso l'alto.

AXIS Q8685-LE PTZ Network Camera

⚠ATTENZIONE

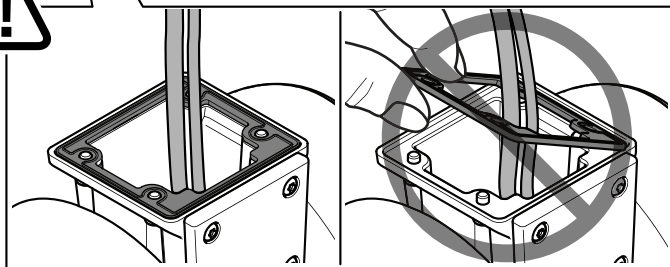
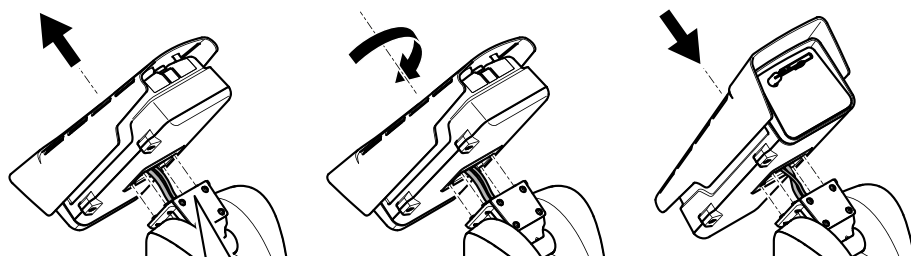
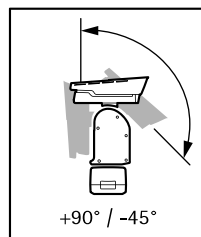
Sono necessarie due persone per l'installazione.



1. Inclinare il coperchio inferiore all'indietro nella posizione finale e allentare le due viti anticaduta anteriori sull'unità di posizionamento (T20).
2. Inclinare il coperchio inferiore in avanti nella posizione finale e allentare le due viti anticaduta posteriori sull'unità di posizionamento (T20).

AVVISO

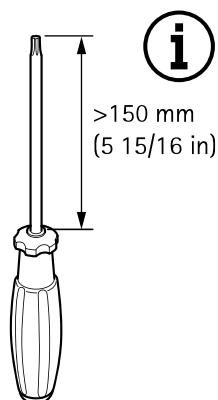
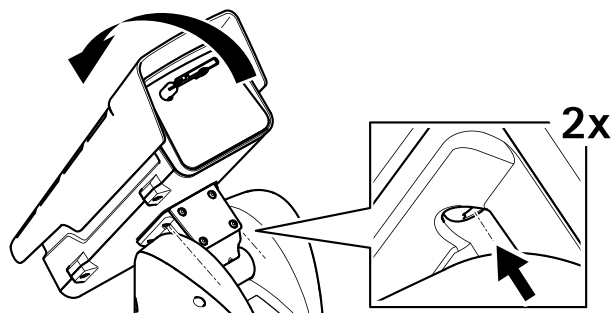
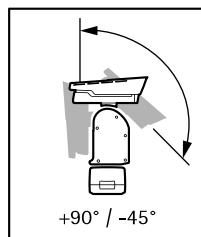
Per raggiungere le viti dell'unità di posizionamento, utilizzare un cacciavite con una lama sufficientemente lunga (vedere la figura sopra riportata).



3. Sollevare l'unità telecamera e adattarla nell'unità di posizionamento in una posizione invertita.

Importante

Assicurarsi che la guarnizione sotto l'unità telecamera rimanga in posizione.



4. Inclinare il coperchio inferiore all'indietro nella posizione finale e serrare le due viti anteriori sull'unità di posizionamento (T20, serraggio 3 Nm).
5. Inclinare il coperchio inferiore in avanti nella posizione finale e serrare le due viti posteriori dell'unità di posizionamento (T20, serraggio 3 Nm).

AVVISO

Per raggiungere le viti dell'unità di posizionamento, utilizzare un cacciavite con una lama sufficientemente lunga (vedere la figura sopra riportata).

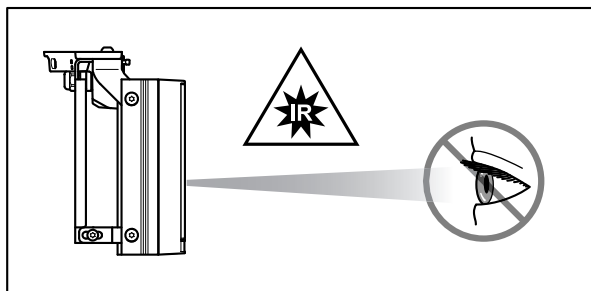
Installare il kit dell'illuminatore (installazione invertita)

AVVISO

Rischio di scosse elettriche. Assicurati che l'alimentazione sia scollegata.

⚠ATTENZIONE

⚠ Questo dispositivo emette infrarossi. Potrebbe essere dannoso per gli occhi. Evita che gli occhi vi siano esposti. Utilizza una schermatura o una protezione per gli occhi.

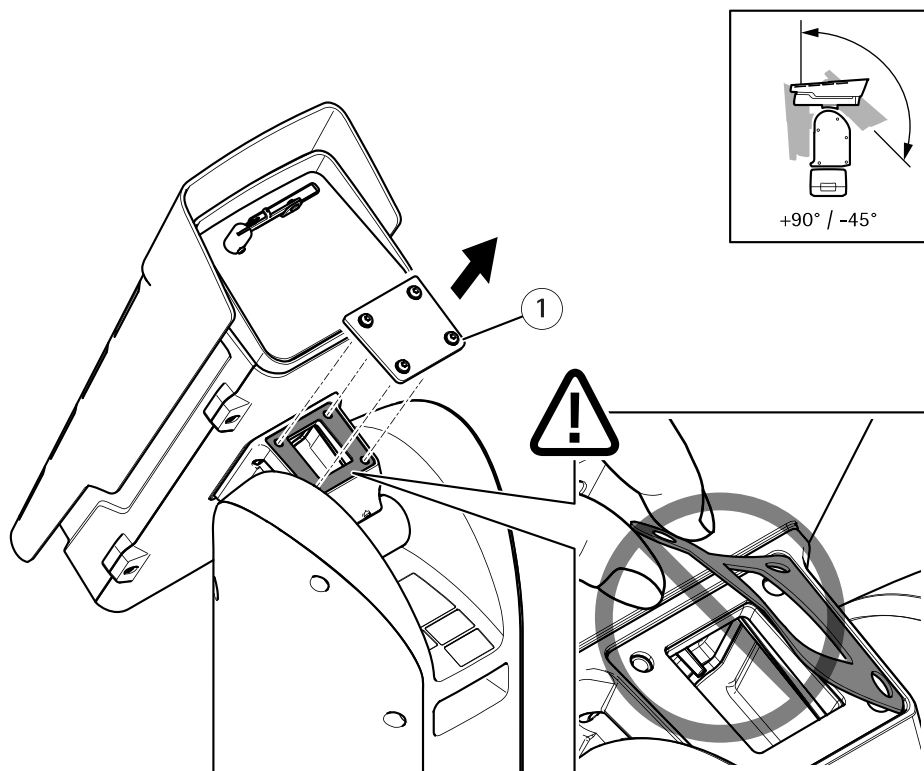


IT

⚠ATTENZIONE

Durante il normale funzionamento, la superficie dell'illuminatore può raggiungere temperature elevate. Evitare il contatto diretto e posizionare l'apparecchio in un luogo inaccessibile a persone non autorizzate. Prima di toccarlo, spegnere l'illuminatore e lasciarlo raffreddare per almeno 10 minuti.

AXIS Q8685-LE PTZ Network Camera

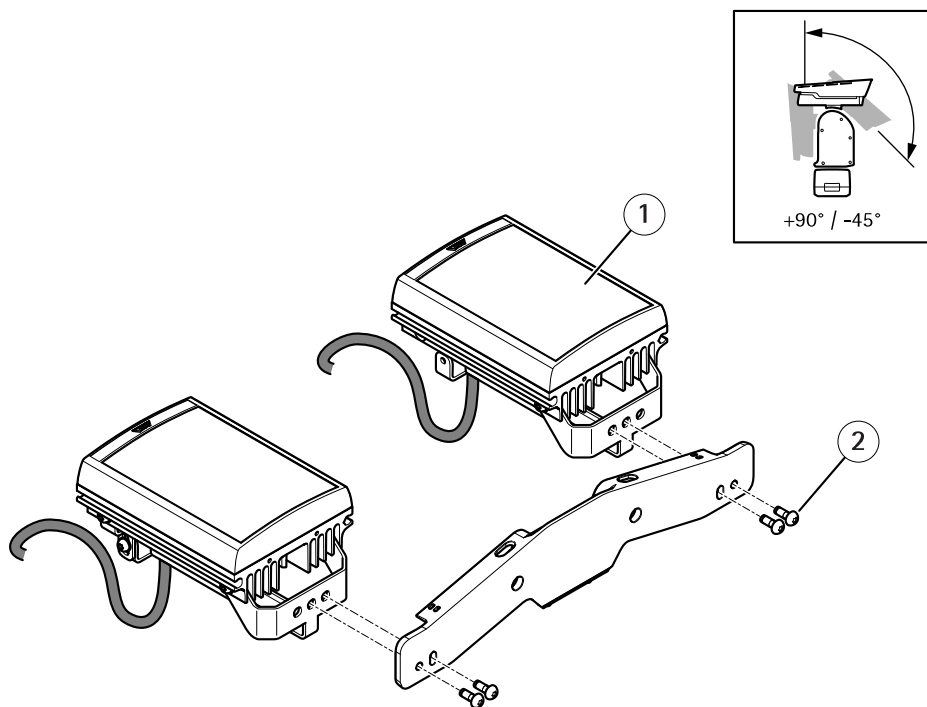


1 Coperchio

1. Allentare le quattro viti anticaduta (T20) sul coperchio e rimuoverlo.

Importante

Assicurarsi che la guarnizione sotto il coperchio rimanga in posizione.

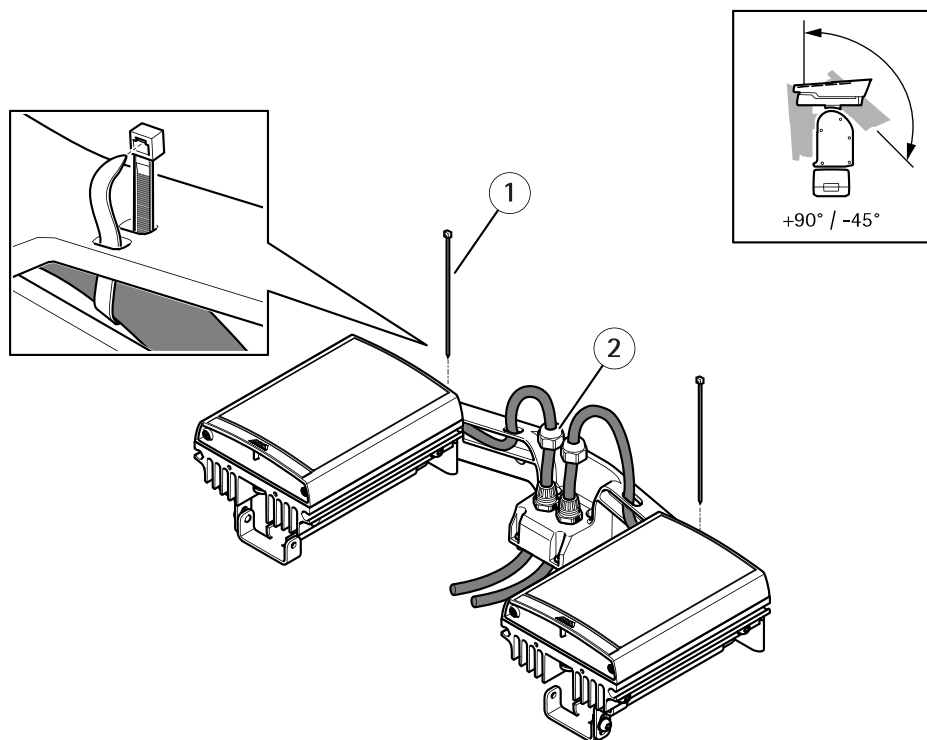


IT

- 1 Illuminatore (x2)
- 2 Vite (M6, x4)

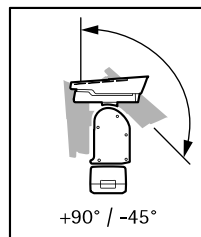
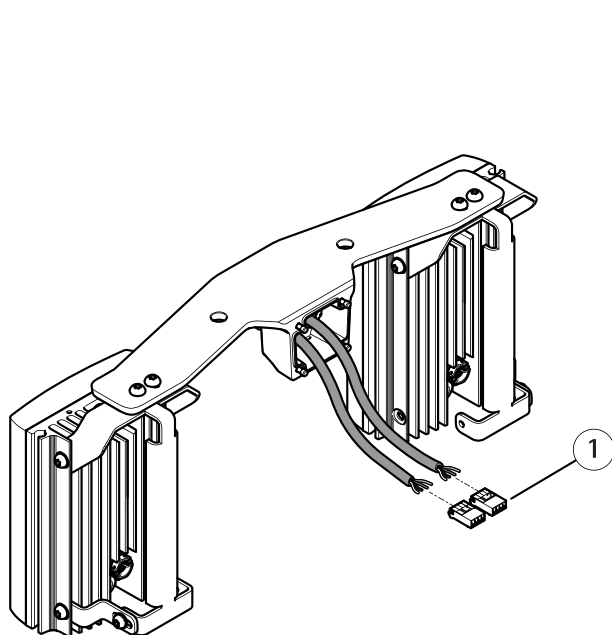
2. Fissare gli illuminatori alla staffa dell'illuminatore utilizzando le quattro viti e le rondelle.

AXIS Q8685-LE PTZ Network Camera



- 1 Fascetta (x2)
- 2 Dado (x2)

3. Instradare i cavi come mostrato nell'illustrazione sopra riportata e stringere i dadi (serraggio da 1,5 Nm).
4. Fissare i cavi alla staffa dell'illuminatore utilizzando gli appositi tiranti.

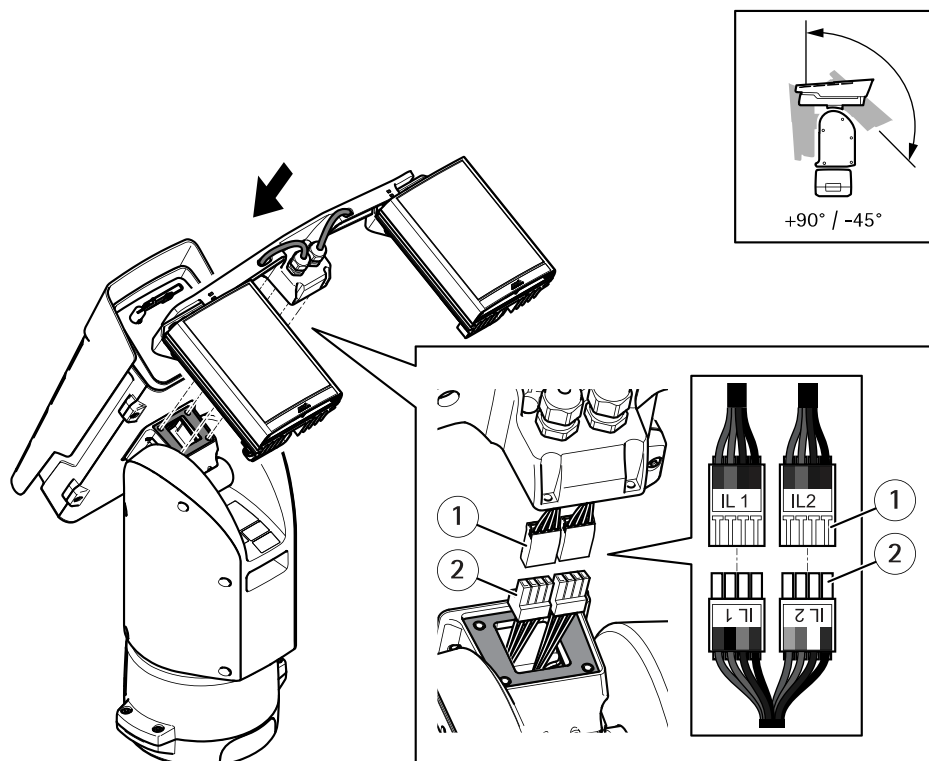


IT

1 Connettore illuminatore (x2)

5. Installare i connettori. Vedere *Connettori* a pagina 221.

AXIS Q8685-LE PTZ Network Camera



- 1 Connettore dall'illuminatore (x2)
- 2 Connettore dall'unità di posizionamento (x2)

6. Collegare i cavi. Vedere *Connettori a pagina 221*.
7. Fissare la staffa degli illuminatori all'unità di posizionamento utilizzando le quattro viti (T20, serraggio da 3 Nm).

Modalità di accesso al dispositivo

Per trovare i dispositivi Axis sulla rete e assegnare loro un indirizzo IP in Windows®, utilizza AXIS IP Utility o AXIS Device Manager. Queste applicazioni sono entrambe gratuite e possono essere scaricate dal sito Web axis.com/support

Per ulteriori informazioni sull'utilizzo del dispositivo, consultare il Manuale per l'utente disponibile sul sito Web all'indirizzo: axis.com

Impostazione della configurazione invertita

Nota

Questa attività si applica quando si utilizza la configurazione invertita.

Importante

Queste istruzioni si applicano solo al firmware dispositivo delle versioni precedenti alla v8.40.

1. Accedere alla pagina Web del dispositivo.
2. Andare a **Settings > System Options > Maintenance (Impostazioni > Opzioni di sistema > Manutenzione)** e fare clic su **Default (Impostazione predefinita)**.
3. Attendere il ripristino della telecamera.
4. Accedere alla pagina Web del dispositivo.
5. Andare a **Setup > PTZ > Advanced > Device > Extended Driver Specific Settings for Video Source 1 (Configurazione > PTZ > Avanzate > Dispositivo > Impostazioni specifiche del driver esteso per sorgente video 1)**.
6. Andare a **Configurazione alloggiamento per telecamera** e selezionare **Invertita**.
7. Fare clic su **Salva**.

Importante

Queste istruzioni si applicano solo al firmware dispositivo v8.40 o successive.

1. Accedere alla pagina Web del dispositivo.
2. Andare a **Impostazioni > Sistema > Manutenzione** e fare clic su **Impostazione predefinita**.
3. Attendere il ripristino della telecamera.
4. Accedere alla pagina Web del dispositivo.
5. Andare a **Impostazioni > Sistema > Configurazione standard > PTZ**.
6. Andare a **Configurazione alloggiamento per telecamera** e selezionare **Invertita**.
7. Fare clic su **Salva**.

Abilitazione del kit dell'illuminatore

Importante

Queste istruzioni si applicano solo al firmware dispositivo delle versioni precedenti alla v8.40.

1. Accedere alla pagina Web del dispositivo.
2. Andare a **Setup > PTZ > Advanced > Device > Extended Driver Specific Settings for Video Source 1 (Configurazione > PTZ > Avanzate > Dispositivo > Impostazioni specifiche del driver esteso per sorgente video 1)**.
3. Per **Illuminatore > Tipo IL1**:
 - Selezionare **IR** se si è connessi a un illuminatore a infrarossi

- Selezionare **Bianco** per un illuminatore a luce bianca
- 4. Ripetere il passaggio sopra riportato per **Illuminatore > Tipo IL2**.

Importante

Queste istruzioni si applicano solo al firmware dispositivo v8.40 o successive.

1. Accedere alla pagina Web del dispositivo.
2. Andare a **Settings > System > Accessories (Impostazioni > Sistema > Accessori)**.
3. Per **Illuminatore > Tipo IL1**:
 - Selezionare **IR** se si è connessi a un illuminatore a infrarossi
 - Selezionare **Bianco** per un illuminatore a luce bianca
4. Ripetere il passaggio sopra riportato per **Illuminatore > Tipo IL2**.


Installazione di una scheda di memoria (opzionale)

Una scheda di memoria standard o ad alta capacità (non inclusa) può essere utilizzata per archiviare le registrazioni in locale nel dispositivo. Vedere *Specifiche a pagina 221* prima di installare la scheda di memoria.


1. Scollegare l'alimentazione dal dispositivo.
2. Rimuovere le quattro viti della copertura superiore e rimuoverla.
3. Per inserire una scheda di memoria nello slot della scheda di memoria, vedere *Panoramica dell'hardware a pagina 188*.
4. Rimontare il coperchio superiore e serrare le viti (serraggio 3,0 Nm).
5. Ricollegare l'alimentazione al dispositivo.

Ripristino delle impostazioni predefinite di fabbrica

⚠ATTENZIONE

 Rischio di lesioni. Parti in movimento. Tenere il corpo a distanza dal dispositivo durante il funzionamento. Scollegare dall'alimentazione prima di installare o eseguire la manutenzione sul dispositivo.

⚠ATTENZIONE

 Rischio di lesioni. Superficie calda. Non toccare il dispositivo durante il funzionamento. Scollegare dall'alimentazione e raffreddare le superfici prima di eseguire la manutenzione sul dispositivo.

Importante

Il ripristino delle impostazioni predefinite di fabbrica deve essere utilizzato con cautela. Un ripristino delle impostazioni di fabbrica consentirà di ripristinare le impostazioni di fabbrica per tutti i parametri, incluso l'indirizzo IP.

Nota

Gli strumenti per l'installazione e la gestione del software sono disponibili nelle pagine dedicate all'assistenza sul sito Web www.axis.com/support/downloads

Per ripristinare il dispositivo ai valori predefiniti di fabbrica:

1. Scollegare l'alimentazione dal dispositivo.
2. Rimuovere le quattro viti della copertura superiore e rimuoverla.
3. Modificare la posizione dell'interruttore dei valori predefiniti di fabbrica, consultare *Panoramica dell'hardware a pagina 188*.
4. Rimontare il coperchio superiore e serrare le viti (serraggio 3,0 Nm).
5. Ricollegare l'alimentazione al dispositivo.

È anche possibile reimpostare i parametri ai valori predefiniti di fabbrica mediante l'interfaccia Web.

Ulteriori Informazioni

- La guida all'installazione e il manuale per l'utente del dispositivo sono disponibili su axis.com.
- Per verificare se c'è una versione aggiornata del firmware per il proprio dispositivo, vedere axis.com/support.
- Per servizi di formazione utili, webinar, tutorial e guide, visitare il sito axis.com/academy.

Accessori opzionali

Per un elenco completo degli accessori disponibili per questo dispositivo, andare alla pagina del dispositivo al sito axis.com e selezionare Software e accessori.


Informazioni sulla garanzia

Per informazioni sulla garanzia del dispositivo Axis e informazioni ad esso relative, consultare la pagina axis.com/warranty.


Specifiche

Slot per schede di memoria

ATTENZIONE

 Rischio di lesioni. Parti in movimento. Tenere il corpo a distanza dal dispositivo durante il funzionamento. Scollegare dall'alimentazione prima di installare o eseguire la manutenzione sul dispositivo.

ATTENZIONE

 Rischio di lesioni. Superficie calda. Non toccare il dispositivo durante il funzionamento. Scollegare dall'alimentazione e raffreddare le superfici prima di eseguire la manutenzione sul dispositivo.

AVVISO

- Rischio di danneggiamento della scheda di memoria SD. Non utilizzare strumenti appuntiti oppure oggetti metallici e non esercitare eccessiva forza durante l'inserimento o la rimozione della scheda di memoria. Utilizzare le dita per inserire e rimuovere la scheda.
- Rischio di perdita di dati e danneggiamento delle registrazioni. Non rimuovere la scheda di memoria mentre il dispositivo è in funzione. Scollegare la scheda di memoria dalle pagine Web del dispositivo prima di rimuoverla.

Questo dispositivo supporta schede di memoria SD/SDHC/SDXC.

Visitare axis.com per i consigli sulla scheda di memoria.

Connettori

Connettore di rete

Connettore Ethernet RJ45.

Connettore SFP.

AVVISO

Il dispositivo deve essere collegato con un cavo di rete schermato (STP) o con cavi in fibra ottica. Tutti i cavi che collegano il dispositivo alla rete sono destinati al loro uso specifico. Accertarsi che i dispositivi di rete siano installati secondo le istruzioni del produttore. Per maggiori informazioni sui requisiti normativi, consultare .

Connettore I/O

Utilizzare il connettore I/O con dispositivi esterni in combinazione con, ad esempio, rilevamento movimento, attivazione di eventi e notifiche di allarme. Oltre al punto di riferimento 0 V CC e all'alimentazione (output CC), il connettore I/O fornisce l'interfaccia per:

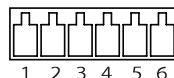
AXIS Q8685-LE PTZ Network Camera

Ingresso digitale – Per il collegamento di dispositivi che possono passare da un circuito chiuso ad uno aperto, ad esempio i sensori PIR, i contatti porta/finestra e i rilevatori di rottura.

Uscita digitale – Per il collegamento di dispositivi esterni come relè e LED. I dispositivi collegati possono essere attivati tramite l'API (interfaccia per la programmazione di applicazioni) VAPIX® attraverso un evento oppure dalla pagina Web del dispositivo.

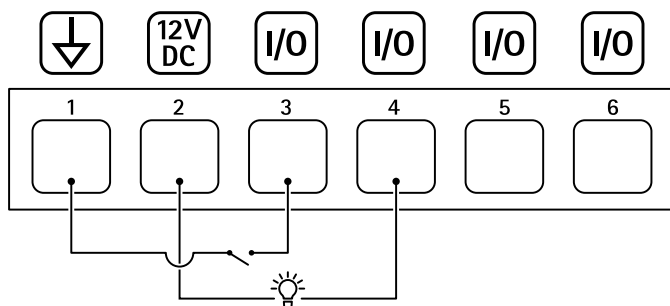
Un fotosensore digitale – Per la ricezione di un valore relativo alla sensibilità alla luce ambiente da un fotosensore esterno. Questo viene utilizzato per controllare le funzioni per le riprese diurne/notturne del dispositivo.

Morsettiera a 6 pin configurabile



Funzione	Pin	Note	Specifiche
Terra CC	1		0 V CC
Uscita CC	2	Può essere utilizzato per alimentare una periferica ausiliaria. Nota: questo pin può essere usato solo come uscita alimentazione.	12 V CC Carico massimo = 50 mA
Configurabile (input oppure output)	3–6	Ingresso digitale: collegare al pin 1 per attivarlo oppure lasciarlo isolato (scollegato) per disattivarlo.	Da 0 a max 30 V CC
		Uscita digitale: collegato internamente al pin 1 (terra CC) quando attivo e isolato (scollegato) quando inattivo. Se utilizzata con un carico induttivo, ad esempio un relè, collegare un diodo in parallelo al carico per proteggere il dispositivo da sovratensioni.	Da 0 a max 30 V CC, open drain, 100 mA

Esempio



- 1 Ground CC
- 2 Output CC 12 V, max 50 mA
- 3 I/O configurato come input
- 4 I/O configurato come output
- 5 I/O configurabile
- 6 I/O configurabile

IT

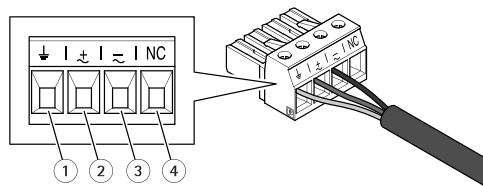
Connettore di alimentazione

Morsettiera a 4 pin per ingresso alimentazione.

Connettore di alimentazione 24 V CA/CC

AVVISO

Questa sezione è valida solo per i dispositivi alimentati a 24 V CA e 24 V CC.



Questa tabella è valida solo per i connettori di alimentazione da 24 V CA e da 24 V CC.

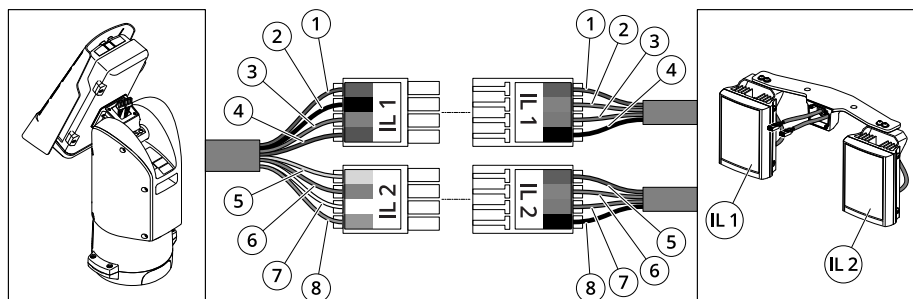
Posizione	24 V CA	24 V CC
1	Messa a terra di protezione	Messa a terra di protezione
2	Fase 24 V CA	+ 24 V

AXIS Q8685-LE PTZ Network Camera

Questa tabella è valida solo per i connettori di alimentazione da 24 V CA e da 24 V CC. (Continuo)

Posizione	24 V CA	24 V CC
3	24 V CA Neutro	0 V
4	Non connesso	Non connesso

Connettori illuminatore



	Posizione	Colore del cavo (unità di posizionamento)	Colore del cavo (illuminatori)	Descrizione
IL1	1	Rosso	Rosso	+24V IL
	2	Nero	Arancio	IL1 +VE
	3	Grigio	Viola	IL1 -VE
	4	Blu	Nero	Con messa a terra
IL2	5	Giallo	Rosso	+24V IL
	6	Arancio	Arancio	IL2 +VE
	7	Bianco	Viola	IL2 -VE
	8	Verde	Nero	Con messa a terra

Cavi

Spessore del cavo

Quando si utilizzano le guarnizioni per cavo fornite con il dispositivo, il diametro del cavo deve essere compreso nell'intervallo tra 5 e 11 mm.

AVVISO

- Utilizzare cavi di lunghezza adeguata all'area specificata
- Selezionare i cavi nel rispetto delle normative locali
- Verificare che tutti i fori dei cavi siano correttamente sigillati
- Utilizzare guarnizioni per cavi o pressacavi corrispondenti al foro e all'area dei cavi

Per informazioni sugli accessori disponibili, come ad esempio guarnizioni per cavi e pressacavi adatti per altre aree dei cavi, visitare il sito Web www.axis.com.

Condizioni di funzionamento

Questo dispositivo Axis è destinato all'uso interno ed esterno.

Temperatura	Umidità
Normale: Da -50 °C a 55 °C Massimo (intermittente): 65 °C Avvio a freddo: da -40°C a 55°C	10 – 100% umidità relativa (senza condensa)

Consumo energetico

Consumo tipico	Consumo massimo
Senza illuminazione: 16 W	Senza illuminazione: 204 W
Con illuminazione: 64 W	Con illuminazione: 300 W

Importante

Quando si utilizza il cavo AXIS da 22 m 24 V CC/24 – 240 V CA, è necessario utilizzare un alimentatore in grado di fornire 400 W a compensazione della perdita di alimentazione del cavo.

AVVISO

I valori tipici di consumo energetico sono basati su:

- Perdite nei cavi di alimentazione ignorate

AXIS Q8685-LE PTZ Network Camera

- Nessun posizionamento attivo
- Nessun motore del tergi-cristallo attivo
- Temperatura di 25 °C (con tutti i riscaldatori spenti)
- Un flusso H.264 alla massima risoluzione
- Flusso MJPEG registrato sulla scheda di memoria
- Lampade IR per il 50% del tempo (con illuminazione)

Información de seguridad

Niveles de peligro

▲PELIGRO

Indica una situación peligrosa que, si no se evita, provocará lesiones graves o la muerte.

▲ADVERTENCIA

Indica una situación peligrosa que, si no se evita, puede provocar lesiones graves o la muerte.

▲PRECAUCIÓN

Indica una situación peligrosa que, si no se evita, puede provocar lesiones moderadas o leves.

AVISO

Indica una situación peligrosa que, si no se evita, puede provocar daños materiales.

ES

Otros niveles de mensaje

Importante

Indica información importante que es fundamental para que el producto funcione correctamente.

Nota

Indica información útil que ayuda a aprovechar el producto al máximo.

Instrucciones de seguridad


▲PELIGRO

Riesgo de descarga eléctrica. Todos los cables deberán estar sin energía antes de realizar trabajos de instalación o mantenimiento en el producto.


▲ADVERTENCIA

El producto de Axis debe instalarlo un profesional formado conforme a las leyes y normativas locales.


▲PRECAUCIÓN

 Este producto emite infrarrojos. Puede dañar los ojos. Evite la exposición prolongada de los ojos. Utilice protectores o dispositivos de protección para los ojos.

▲PRECAUCIÓN

 Piezas móviles. Riesgo de lesiones. No acerque ninguna parte del cuerpo al producto cuando esté funcionando. Desconecte la fuente de alimentación antes de realizar trabajos de instalación o mantenimiento en el producto.

▲PRECAUCIÓN

 Superficie caliente. Riesgo de lesiones. No toque el producto cuando esté funcionando. Desconecte la fuente de alimentación y deje que se enfríen las superficies antes de realizar trabajos de mantenimiento en el producto.

AVISO

- Este producto de Axis debe utilizarse de acuerdo con las leyes y normativas locales.
- Almacene el producto de Axis en un entorno seco y ventilado.
- Evite la exposición del producto de Axis a choques o a una fuerte presión.
- No instale el producto en postes, soportes, superficies o paredes inestables.
- Utilice solo las herramientas correspondientes cuando instale el producto de Axis. La aplicación de una fuerza excesiva con herramientas eléctricas puede provocar daños en el producto.
- No utilice limpiadores en aerosol, agentes cáusticos ni productos químicos.
- Limpie con un paño limpio humedecido con agua pura.
- Utilice solo accesorios que cumplan con las especificaciones técnicas de su producto. Estos accesorios los puede proporcionar Axis o un tercero. Axis recomienda utilizar un equipo de suministro de alimentación de Axis compatible con su producto.
- Utilice solo piezas de repuesto proporcionadas o recomendadas por Axis.
- No intente reparar el producto usted mismo. Póngase en contacto con el servicio de asistencia técnica de Axis o con su distribuidor de Axis para tratar asuntos de reparación.
- No coloque el objetivo de la cámara apuntando hacia el sol u otras fuentes de radiación de alta intensidad ya que podría dañar la cámara.
- Utilice un cable de tierra de color amarillo/verde de al menos 0,5 mm² o 20 AWG.

Transporte

AVISO

- Cuando transporte el producto de Axis, utilice el embalaje original o un equivalente para evitar daños en el producto.

Batería

Este producto de Axis utiliza una batería de litio BR2032 de 3,0 V como fuente de alimentación del reloj interno en tiempo real. En condiciones normales, esta batería durará un mínimo de cinco años.

⚠PRECAUCIÓN

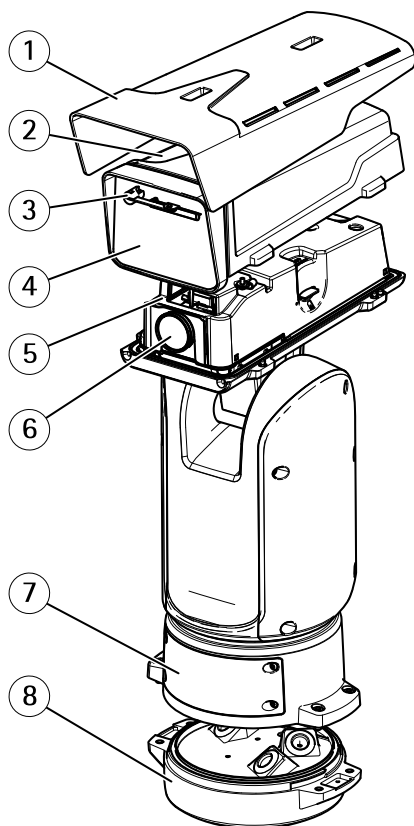
No sustituya la batería usted mismo. Póngase en contacto con el servicio de asistencia técnica de Axis si el mensaje de registro solicita un cambio de batería.

Las pilas de botón de litio de 3,0 V contienen 1,2-dimetoxietano; éter dimetilico de etilenglicol (EGDME), n.º CAS 110-71-4.

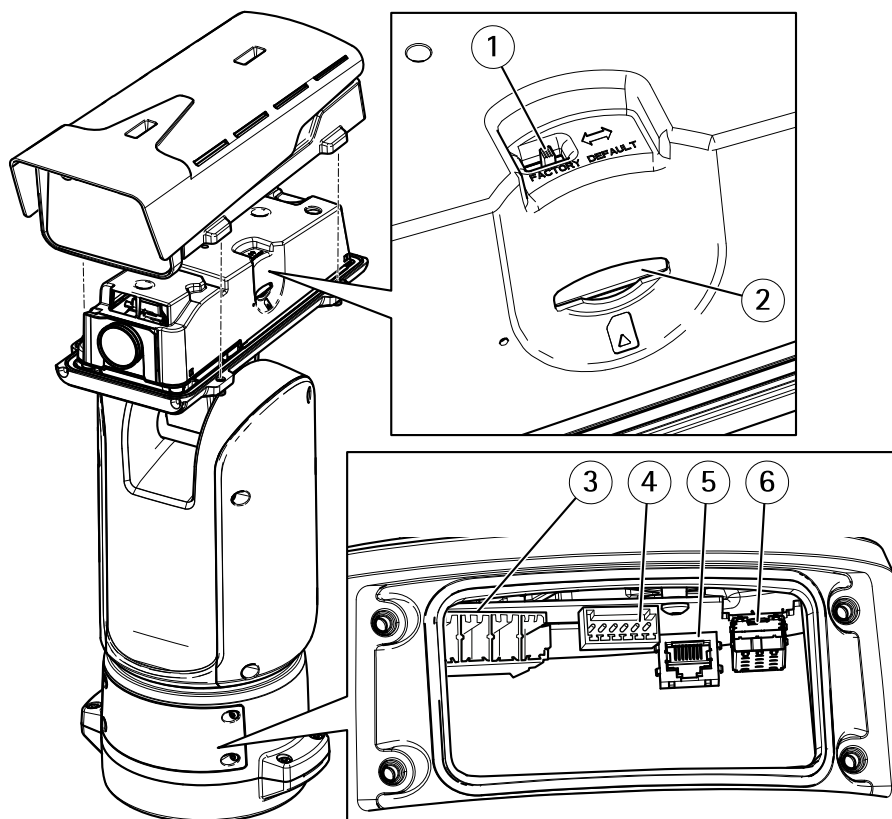
Contenido del paquete

- Cámara de red PTZ AXIS Q8685-LE
- Kit C de Iluminadores de infrarrojos AXIS PT
- Conector de alimentación
- Conector de E/S
- Torx® punta T20 y T30
- Materiales impresos
 - Guía de instalación (este documento)
 - Etiqueta adicional con el número de serie (2)
 - Clave de autenticación AVHS

Información general del hardware

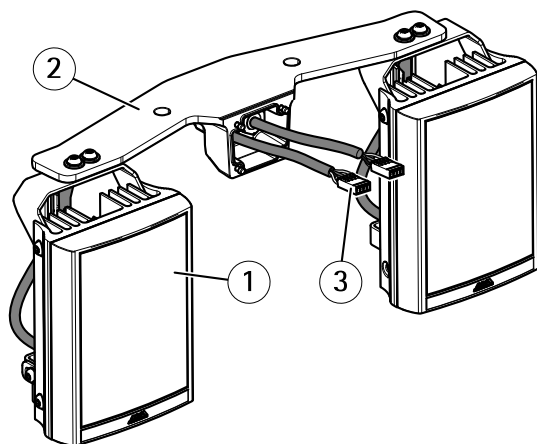


- 1 *Parasol*
- 2 *Cubierta superior*
- 3 *Escobilla limpiadora*
- 4 *Ventana delantera*
- 5 *Cubierta interna*
- 6 *Objetivo*
- 7 *Tapa*
- 8 *Unidad base*



ES

- 1 Conmutador predeterminado de fábrica
- 2 Ranura de tarjeta de memoria SD
- 3 Conector de entrada de corriente
- 4 Conector de E/S
- 5 Conector RJ45
- 6 Ranura SFP para módulo SFP (módulo SFP no incluido)

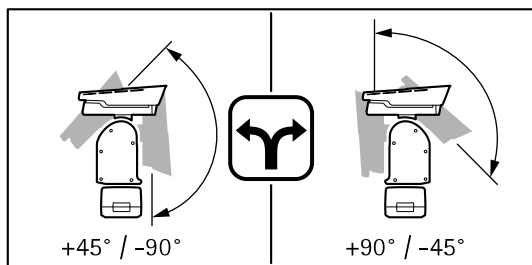


- 1 Iluminadores (2)
- 2 Soporte del iluminador
- 3 Conectores del iluminador (2)

Cómo instalar el producto

Principales tareas de instalación

1. Montaje de la unidad base en la página 235
2. Guía de los cables en la página 237
3. Instalación del enlace de red en la página 242
4. Conexión de los cables en la página 243
5. Instalación del kit de iluminador. Siga los pasos de una de las dos instalaciones:
 - Instalar el kit de iluminador (instalación predeterminada) en la página 245
 - Instalación invertida en la página 251, seguida de Instalar el kit de iluminador (instalación invertida) en la página 254
6. Cómo acceder al producto en la página 260
7. Establecer la configuración invertida en la página 260
8. Activar el kit de iluminador en la página 261
9. Instalación de una tarjeta SD (opcional) en la página 262



⚠ PELIGRO

Riesgo de descarga eléctrica. Todos los cables deben estar sin energía antes de instalar el producto.

⚠ PRECAUCIÓN

Las conexiones eléctricas y las instalaciones de los conductos debe realizarlas un electricista cualificado, de conformidad con la normativa local.

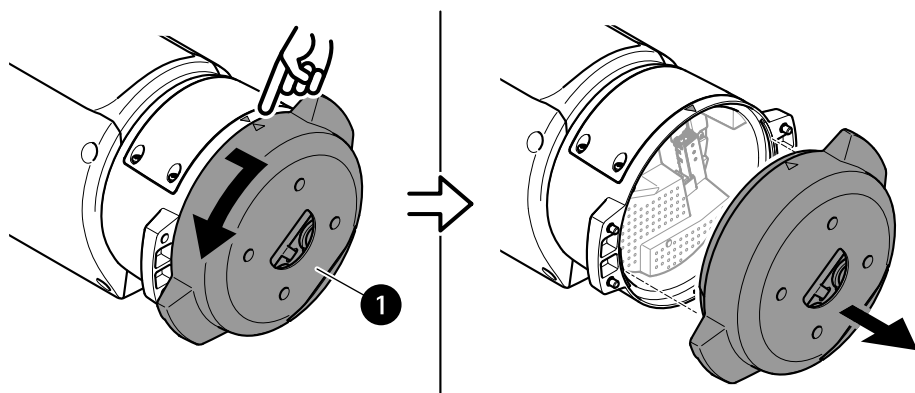
⚠ PRECAUCIÓN

⚠ Riesgo de lesiones. Piezas móviles. No acerque ninguna parte del cuerpo al producto mientras esté funcionando. Desconecte la fuente de alimentación antes de realizar trabajos de instalación o mantenimiento en el producto.

⚠ PRECAUCIÓN

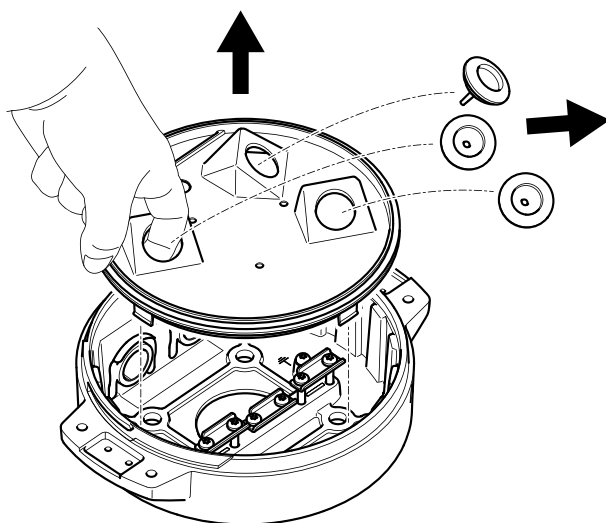
⚠ Riesgo de lesiones. Superficie caliente. No toque el producto durante su funcionamiento. Desconecte la fuente de alimentación y deje que se enfrien las superficies antes de realizar trabajos de mantenimiento en el producto.

Montaje de la unidad base



1 Unidad base

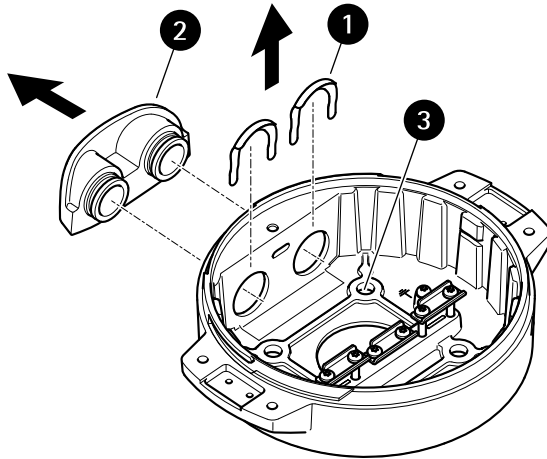
1. Quite los cuatro tornillos (T30) de la unidad base.
2. Tire de la base a la vez que la gira en sentido contrario a las agujas del reloj hasta alinear las flechas de la unidad base con el resto de la unidad de posicionamiento.
3. Extraiga la unidad base.



AVISO

No utilice herramientas afiladas al retirar la cubierta transparente de la unidad base.

4. Extraiga la cubierta transparente de la unidad base.



- 1 *Clip de cubierta de conducto*
- 2 *Cubierta de conducto*
- 3 *Orificio para tornillo (4)*

5. Para instalaciones con conducto solo: retire los dos clips de cubierta de conducto y, a continuación, la cubierta de conducto.
6. Fije la unidad base a la superficie de montaje mediante los fijadores adecuados en los cuatro orificios para tornillos.

Guía de los cables

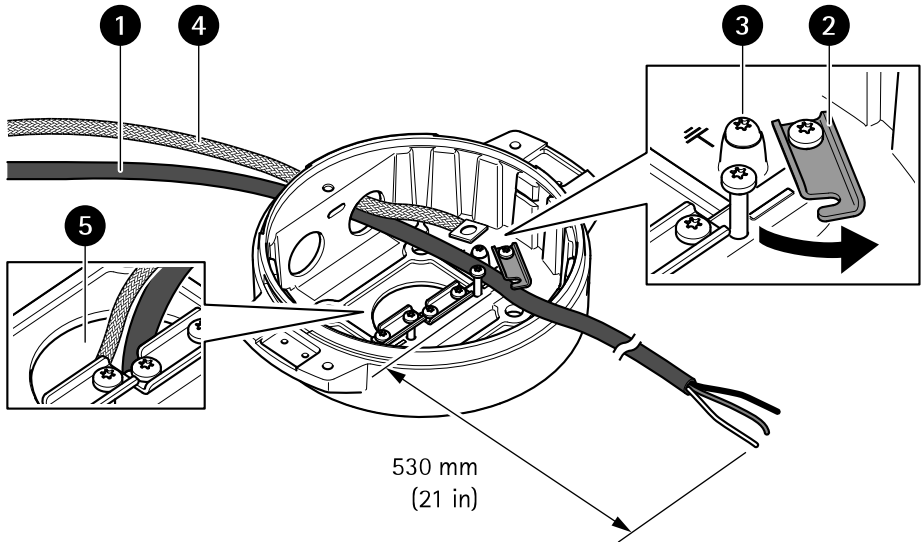
⚠ADVERTENCIA

Riesgo de descarga eléctrica. El producto debe conectarse a tierra mediante el cable de tierra protector en el cable de alimentación y el cable trenzado de tierra. Asegúrese de que los dos extremos del cable de tierra protector y el cable trenzado de tierra estén en contacto con sus respectivas superficies de toma de tierra.

Importante

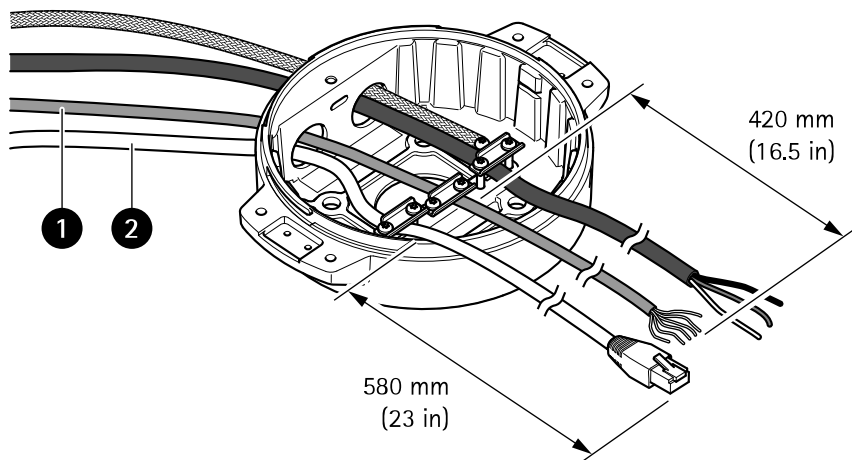
Utilice solo los cables que cumplan los requisitos del área de cableado especificada. Para obtener más información, consulte *Grosor del cable en la página 269*.

AXIS Q8685-LE PTZ Network Camera



- 1 Cable de alimentación (no incluido)
- 2 Descarga de tracción
- 3 Tornillo de toma de tierra
- 4 Cable trenzado de tierra (no incluido)
- 5 Orificio inferior para cable

1. Instale los adaptadores de conducto opcionales (no incluidos).
2. Conecte el cable trenzado de tierra al tornillo de tierra.
3. Pase el cable de alimentación, el cable de E/S y el cable de red a través del orificio de la unidad base como se muestra en la ilustración anterior. También puede pasarlos por el orificio del cable inferior.
4. Pase el cable de alimentación por la descarga de tracción con una distancia de 530 mm entre esta y el extremo del cable.

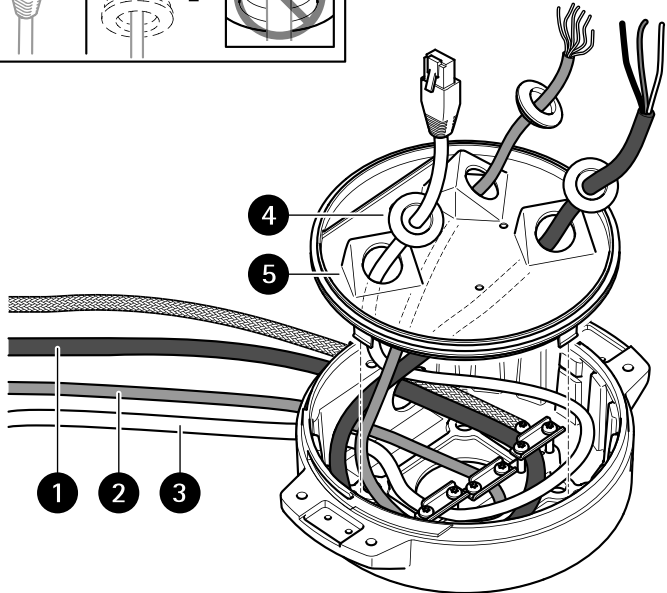
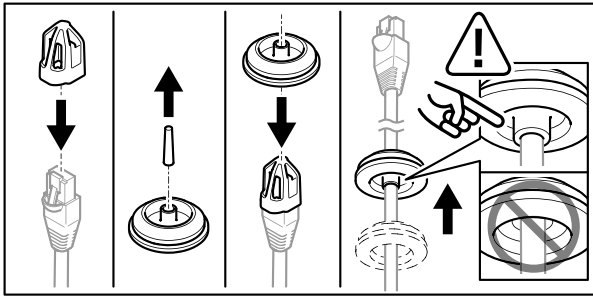


ES

- 1 Cable de E/S (opcional, no incluido)
- 2 Cable de red (no incluido)

5. Introduzca el cable de E/S (opcional) a través de la descarga de tracción con una distancia de 420 mm entre esta y el extremo del cable.
6. Introduzca el cable de red (cable de fibra óptica o cable RJ45) con una distancia de 580 mm entre la descarga de tracción y el extremo del conector. Para obtener más información sobre las opciones de conectividad de la red, consulte *Instalación del enlace de red en la página 242*.
7. Cierre y apriete las tres descargas de tracción.

AXIS Q8685-LE PTZ Network Camera



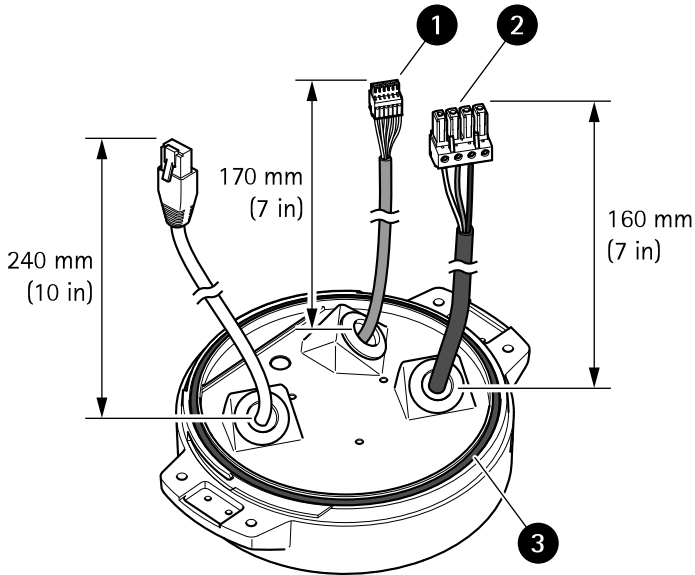
- 1 Cable de alimentación (no incluido)
- 2 Cable de E/S (opcional, no incluido)
- 3 Cable de red (no incluido)
- 4 Junta de cable
- 5 Cubierta transparente de la unidad base

8. Ponga juntas en los cables. Consulte *Grosor del cable en la página 269*.
9. Pase los cables de alimentación, E/S y red con las juntas por los orificios de la cubierta transparente de la unidad base y dispóngalos como se muestra en la ilustración anterior.

AVISO

Si usa un cable de fibra óptica y un cable RJ45 para la conexión de red, pase el cable de fibra óptica por la misma junta que el cable de E/S. Aplique un sellador entre los cables y la junta de cable para que no haya fugas. Para obtener más información sobre las opciones de conectividad de la red, consulte *Instalación del enlace de red en la página 242*.

10. Coloque la cubierta transparente de la unidad base en la unidad y ponga las juntas de cable en los orificios.



- 1 Conector de E/S
2 Conector de alimentación
3 Junta tórica

AVISO

A fin de evitar desconectar accidentalmente la unidad de la alimentación si se tira del cable, deje el cable protector de tierra unos 10 mm más largo que los otros dos cables (en el cable de alimentación).

Nota

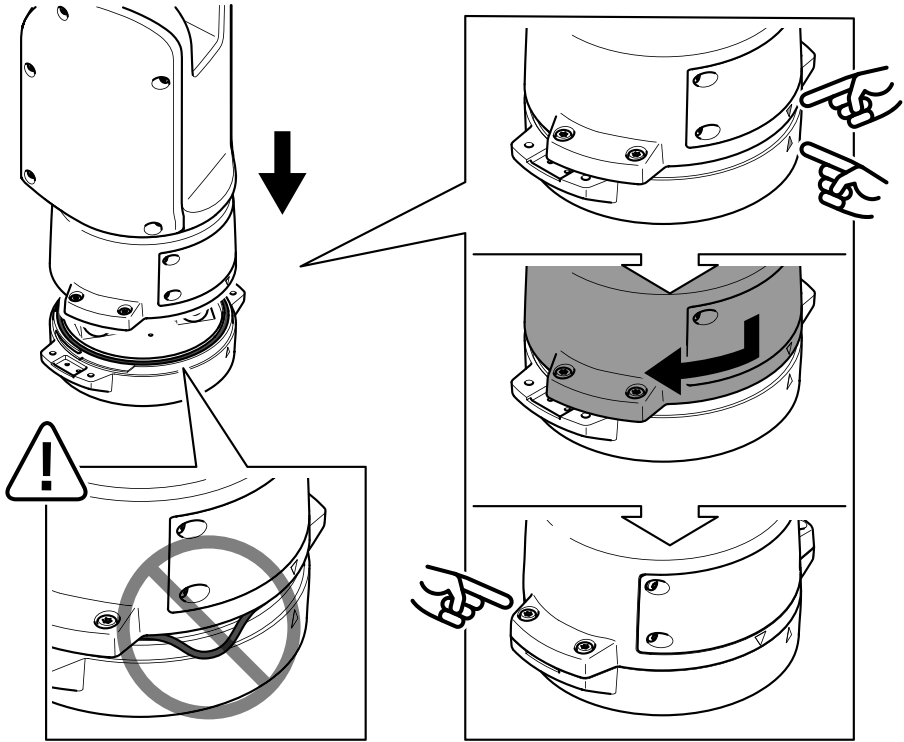
Para que la instalación resulte lo más sencilla posible, le recomendamos retirar aproximadamente 90 mm de la camisa del cable de alimentación y 70 mm de la camisa del cable de E/S.

11. Instale los conectores de alimentación y E/S.
12. Ajuste los cables de red, E/S y alimentación de forma que la distancia entre la junta de cable y el extremo del conector sea de 240 mm, 170 mm y 160 mm respectivamente.

AVISO

Compruebe que la junta tórica está bien puesta en torno a la cubierta transparente de la unidad base.

AXIS Q8685-LE PTZ Network Camera

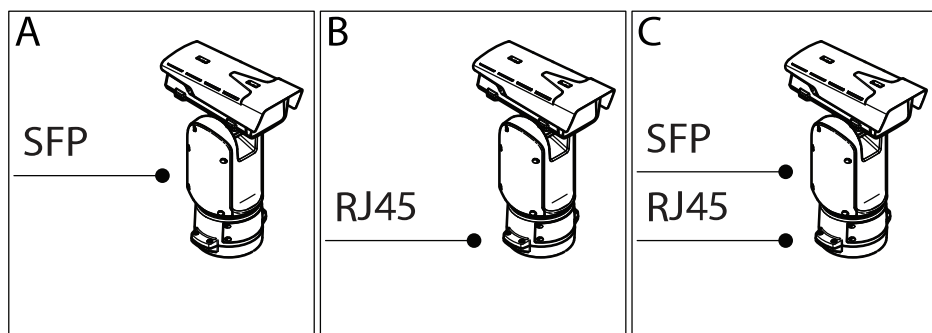


13. Coloque la unidad de posicionamiento en la unidad base. Asegúrese de que las flechas de las dos unidades estén alineadas.
14. Gire la unidad de posicionamiento en sentido horario hasta su posición original y apriete los cuatro tornillos de la base (par 3,0 Nm).

AVISO

Compruebe que los cables no quedan presionados al montar las dos unidades.

Instalación del enlace de red



Puede elegir entre diferentes opciones para instalar el enlace de red:

- A: a través de un cable de fibra óptica o RJ45 conectado al módulo SFP (con el correspondiente conector) en la ranura SFP.
- B: con un cable RJ45 unido al conector RJ45 fijado.
- C: mediante las dos opciones anteriores, en cuyo caso la conexión del módulo SFP funciona como enlace de red principal y la conexión a través del conector RJ45 fijado funciona como enlace para casos de error.

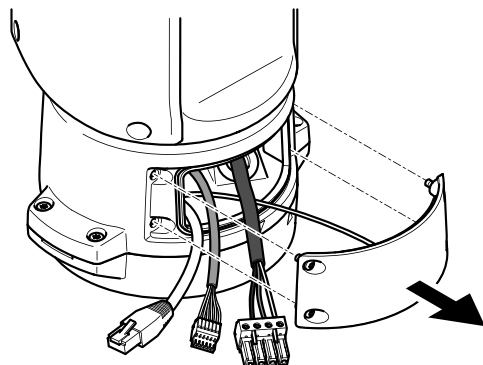
ES

Para obtener más información sobre las ubicaciones de los conectores de red, consulte .

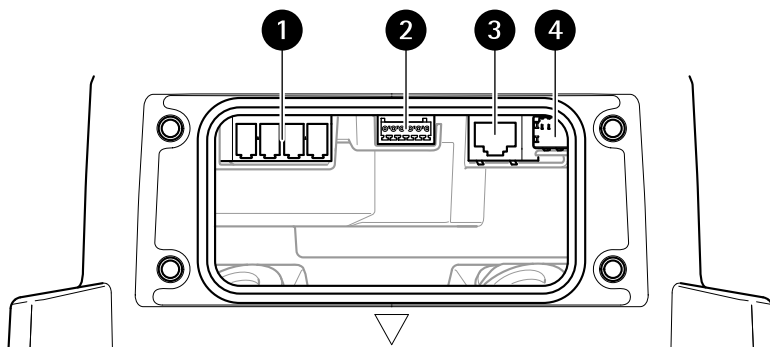
Nota

- El módulo SFP no se incluye. Para obtener información sobre los módulos SFP disponibles, consulte axis.com.
- Si instala un enlace de red únicamente con el cable de fibra óptica a través del correspondiente módulo SFP, funcionará como solución independiente en instalaciones con cables de largo alcance.

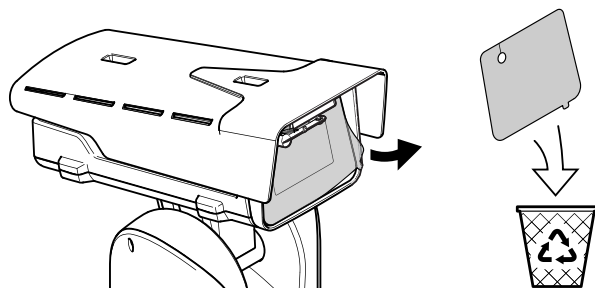
Conexión de los cables



1. Afloje los cuatro tornillos (T20) de la tapa de la base y retírela.



- 1 Conector de entrada de corriente
 - 2 Conector de E/S
 - 3 Conector RJ45
 - 4 Ranura SFP para módulo SFP (módulo SFP no incluido)
2. Conecte la red (fibra óptica o RJ45), la E/S y los cables de alimentación. Para obtener más información sobre las opciones de conectividad de la red, consulte *Instalación del enlace de red* en la página 242.
 3. Vuelva a colocar la tapa en su posición y apriete los cuatro tornillos de la tapa (par 3,0 Nm).



4. Extraiga la cubierta protectora.
5. Conecte la alimentación del producto.

Instalar el kit de iluminador (instalación predeterminada)

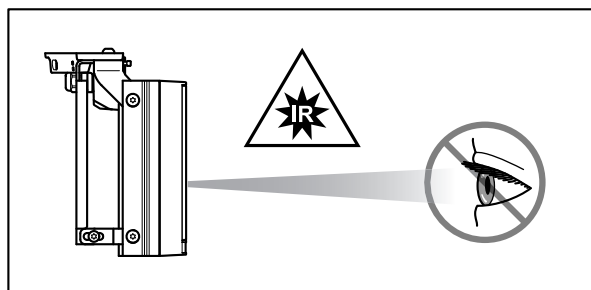
ES

▲ADVERTENCIA

Riesgo de descarga eléctrica. Asegúrese de que la fuente de alimentación esté desconectada.

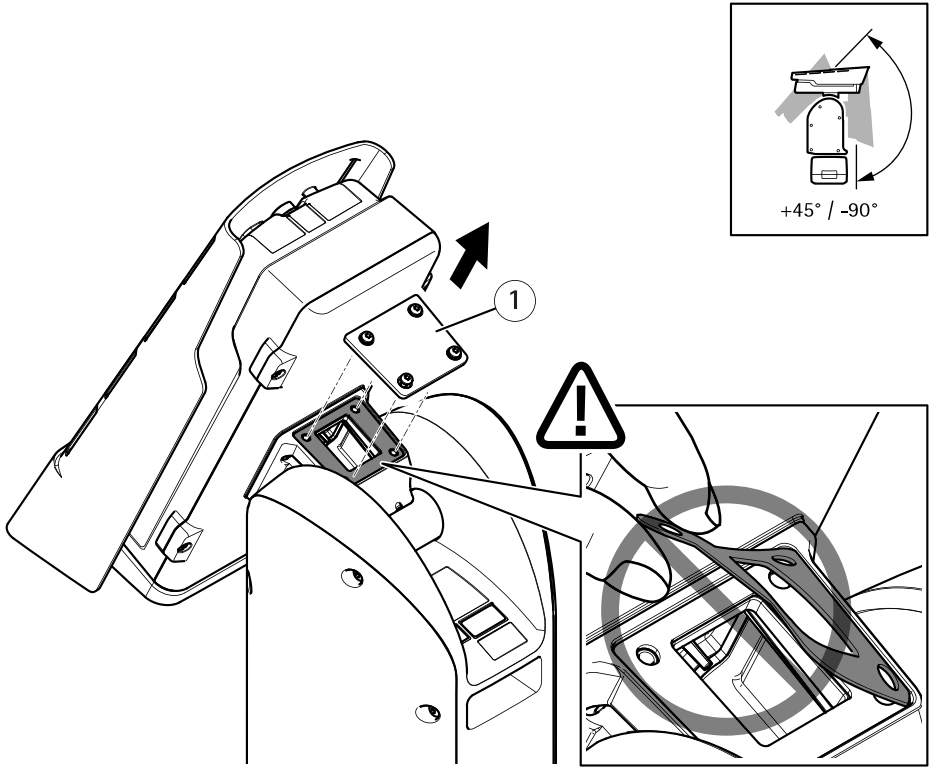
▲PRECAUCIÓN

⚠ Este producto emite infrarrojos. Puede dañar los ojos. Evite la exposición prolongada de los ojos. Utilice protectores o dispositivos de protección para los ojos.



⚠ PRECAUCIÓN

La superficie del iluminador puede calentarse mucho durante el funcionamiento normal. Evite el contacto directo y coloque el aparato en un lugar inaccesible para el personal no autorizado. Antes de tocar el iluminador, desconéctelo y deje que se enfríe durante al menos 10 minutos.



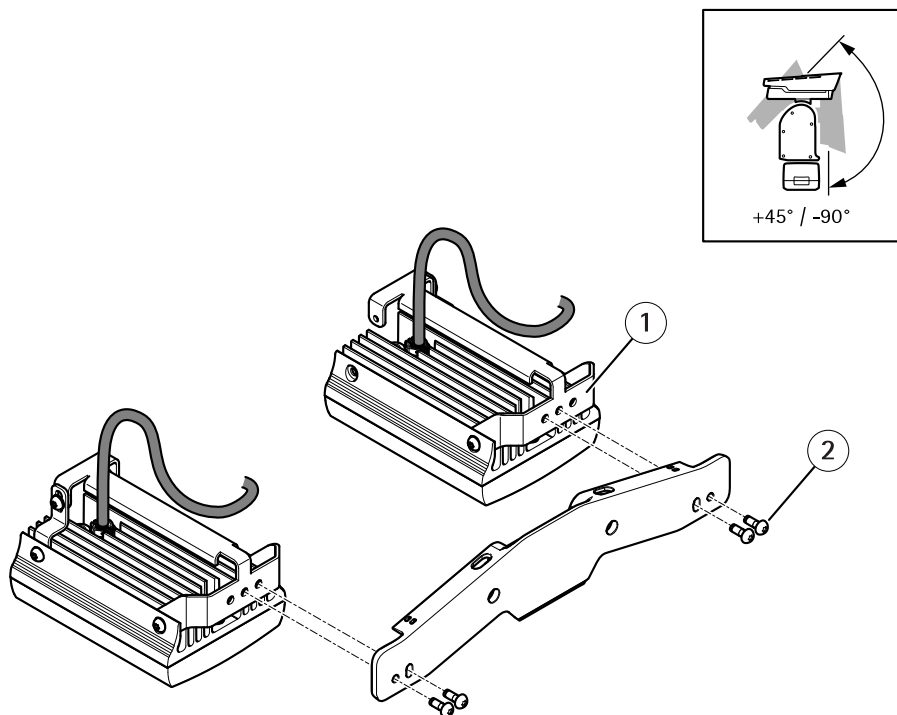
ES

1 Cubierta

1. Extraiga los cuatro tornillos de la cubierta (T20) y retírela.

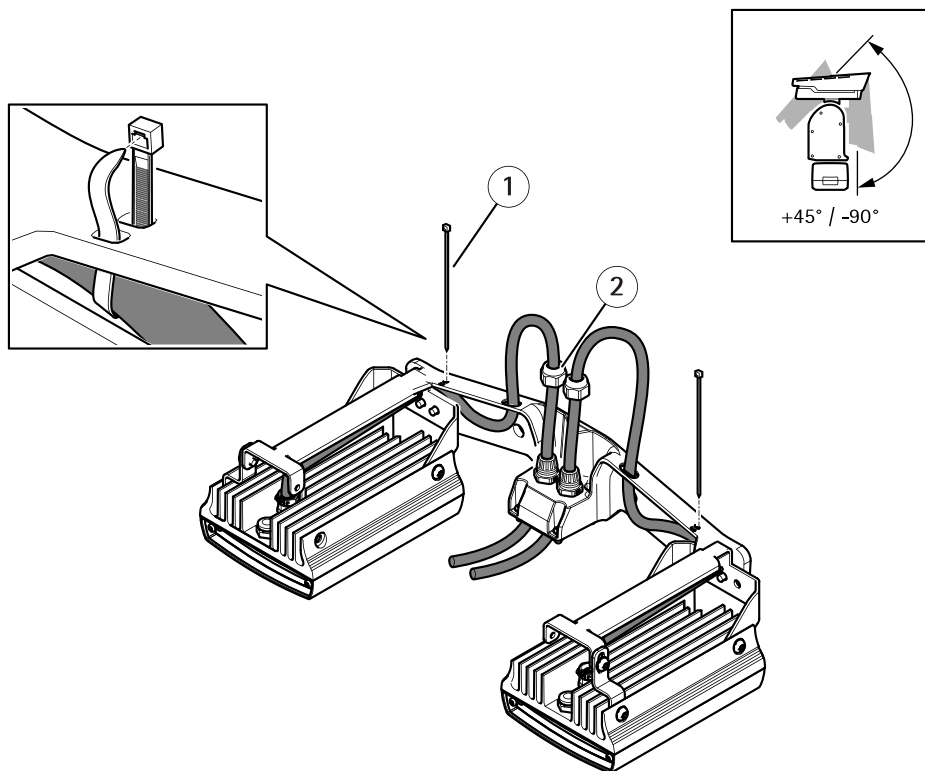
Importante

Asegúrese de que la junta de debajo de la cubierta permanece en su posición.



- 1 Iluminador (2)
- 2 Tornillo (M6) (4)

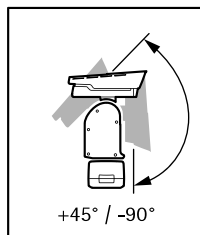
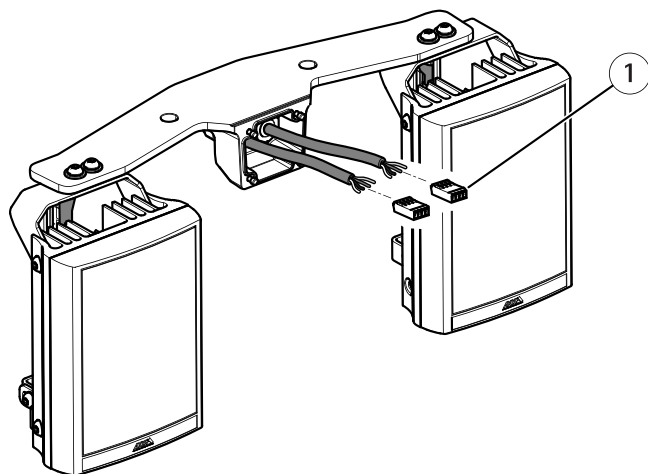
2. Acople los iluminadores al soporte de montaje mediante los cuatro tornillos.



ES

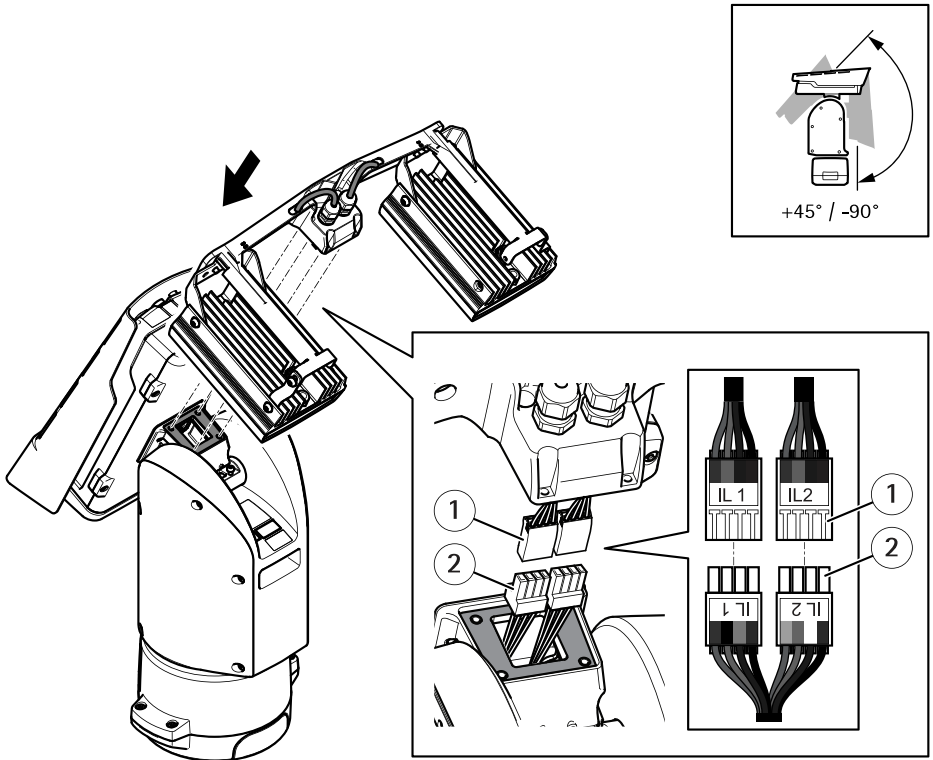
- 1 *Abrazaderas de cable (2)*
- 2 *Tuerca de presión (2)*

3. Haga pasar los cables como se muestra en la ilustración superior y apriete las tuercas de presión (par 1,5 Nm).
4. Fije los cables al soporte del iluminador con las abrazaderas para cables.



1 Conectores del iluminador (2)

5. Instale los conectores. Consulte *Conectores en la página 265*.



ES

- 1 Conectores desde el iluminador (2)
- 2 Conector desde la unidad de posición (2)

- 6. Conecte los cables. Consulte *Conectores en la página 265*.
- 7. Fije el soporte del iluminador a la unidad de posicionamiento con los cuatro tornillos (T20, par 3,0 Nm).

Nota

Para obtener más información sobre el funcionamiento de los iluminadores, consulte el manual del iluminador LED (compruebe el modelo en la etiqueta del producto) y el manual del usuario de su producto de Axis compatible en www.axis.com.

Instalación invertida

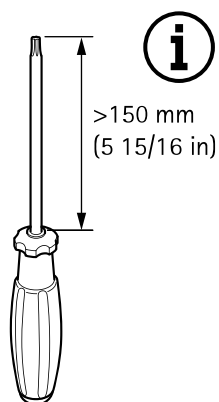
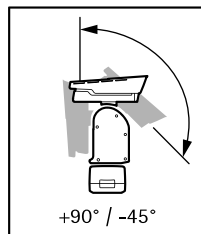
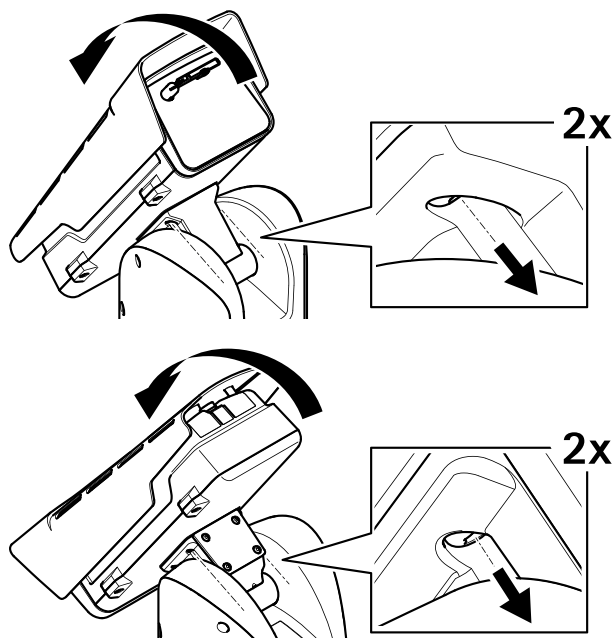
Nota

Siga esta instalación para fijar la carcasa de la cámara en una configuración invertida en el caso de que se prefiera inclinarla directamente hacia arriba.

AXIS Q8685-LE PTZ Network Camera

⚠ PRECAUCIÓN

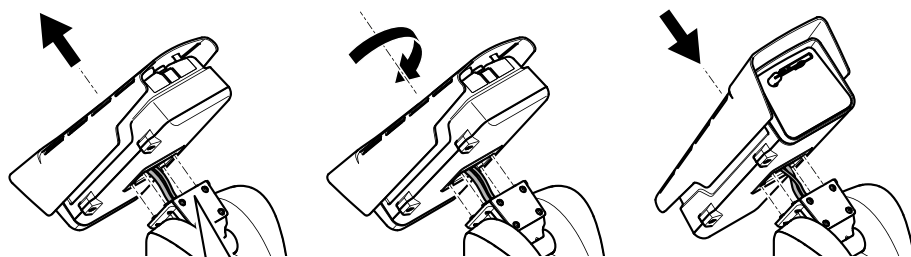
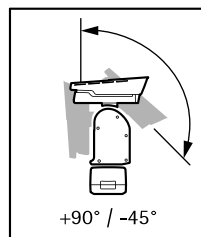
Para esta instalación se precisan dos personas.



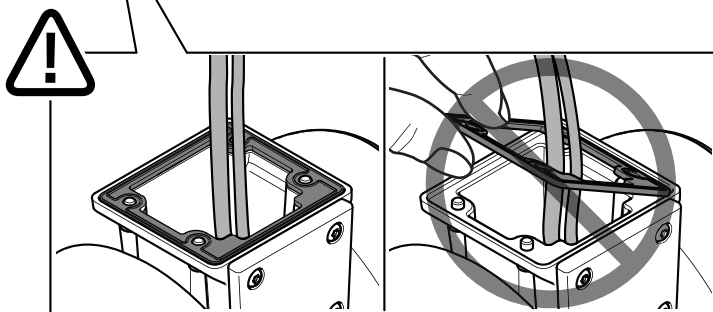
1. Incline la cubierta inferior hacia atrás al máximo y afloje los dos tornillos cautivos delanteros de la unidad de posicionamiento (T20).
2. Incline la cubierta inferior hacia delante al máximo y afloje los dos tornillos cautivos traseros de la unidad de posicionamiento (T20).

AVISO

Use un destornillador de hoja larga para llegar a los tornillos de la unidad de posicionamiento (consulte la imagen superior).



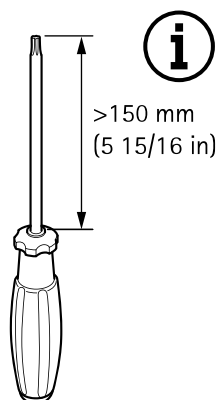
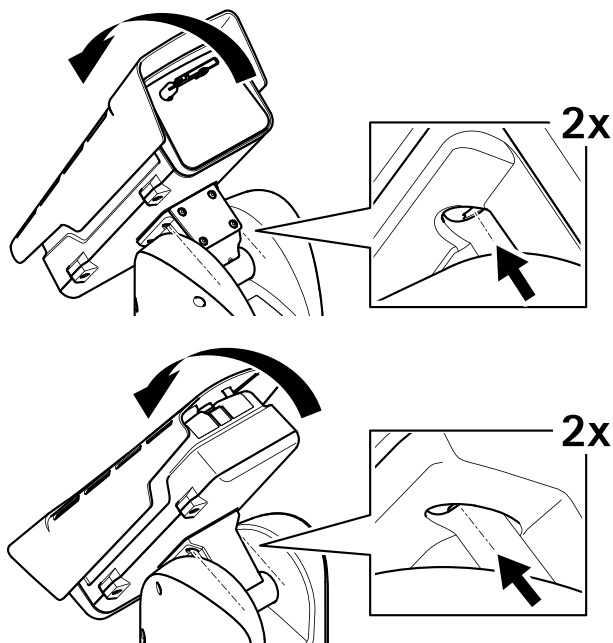
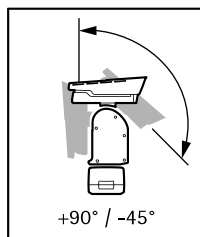
ES



3. Levante la unidad de la cámara, gírela y encájela en la unidad de posicionamiento en una posición invertida.

Importante

Asegúrese de que la junta que hay bajo la unidad de la cámara permanece en su posición.



4. Incline la cubierta inferior hacia atrás al máximo y apriete los dos tornillos delanteros de la unidad de posicionamiento (T20, par 3,0 Nm).
5. Incline la cubierta inferior hacia delante al máximo y apriete los dos tornillos traseros de la unidad de posicionamiento (T20, par 3,0 Nm).

AVISO


Use un destornillador de hoja larga para llegar a los tornillos de la unidad de posicionamiento (consulte la imagen superior).

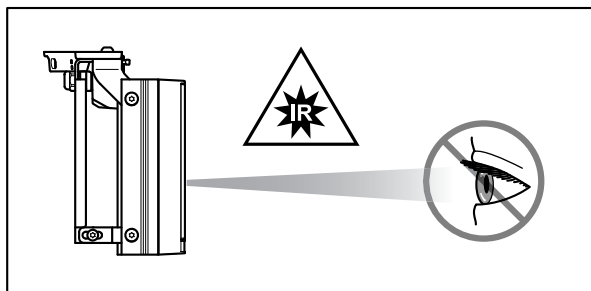
Instalar el kit de iluminador (instalación invertida)

⚠ADVERTENCIA

Riesgo de descarga eléctrica. Asegúrese de que la fuente de alimentación esté desconectada.

⚠PRECAUCIÓN

 Este producto emite infrarrojos. Puede dañar los ojos. Evite la exposición prolongada de los ojos. Utilice protectores o dispositivos de protección para los ojos.

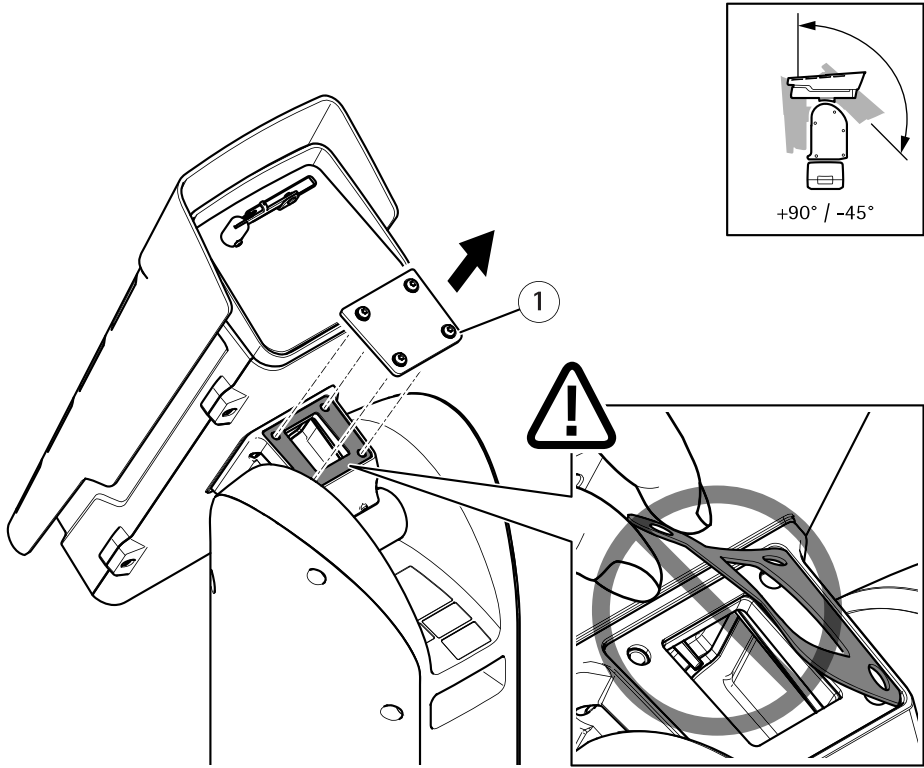


ES

⚠PRECAUCIÓN

La superficie del iluminador puede calentarse mucho durante el funcionamiento normal. Evite el contacto directo y coloque el aparato en un lugar inaccesible para el personal no autorizado. Antes de tocar el iluminador, desconéctelo y deje que se enfríe durante al menos 10 minutos.

AXIS Q8685-LE PTZ Network Camera

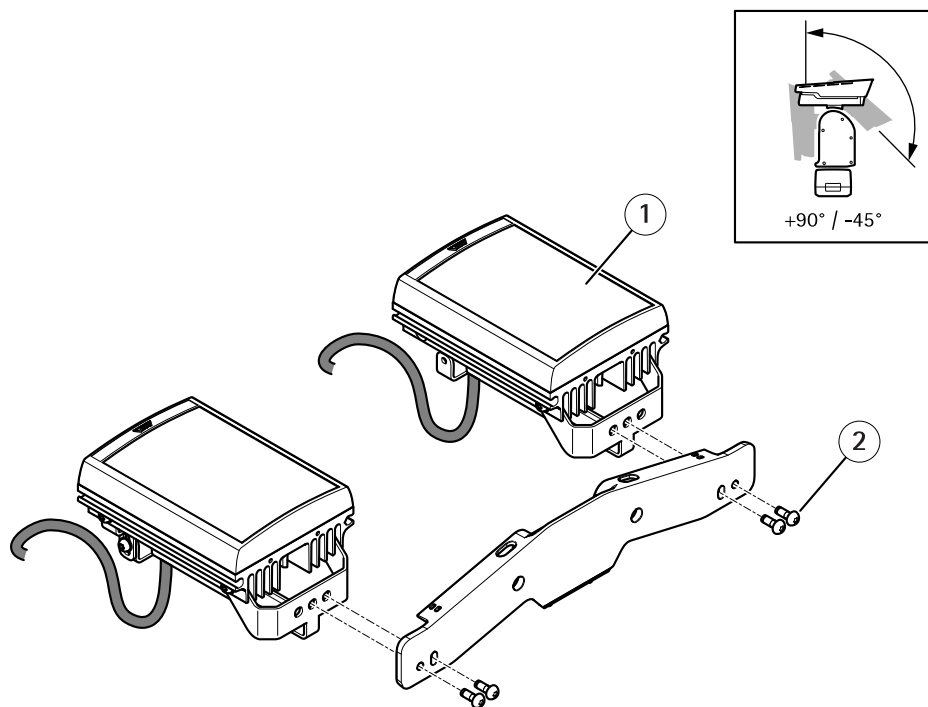


1 Cubierta

1. Afloje los cuatro tornillos cautivos (T20) de la cubierta y retírela.

Importante

Asegúrese de que la junta de debajo de la cubierta permanece en su posición.

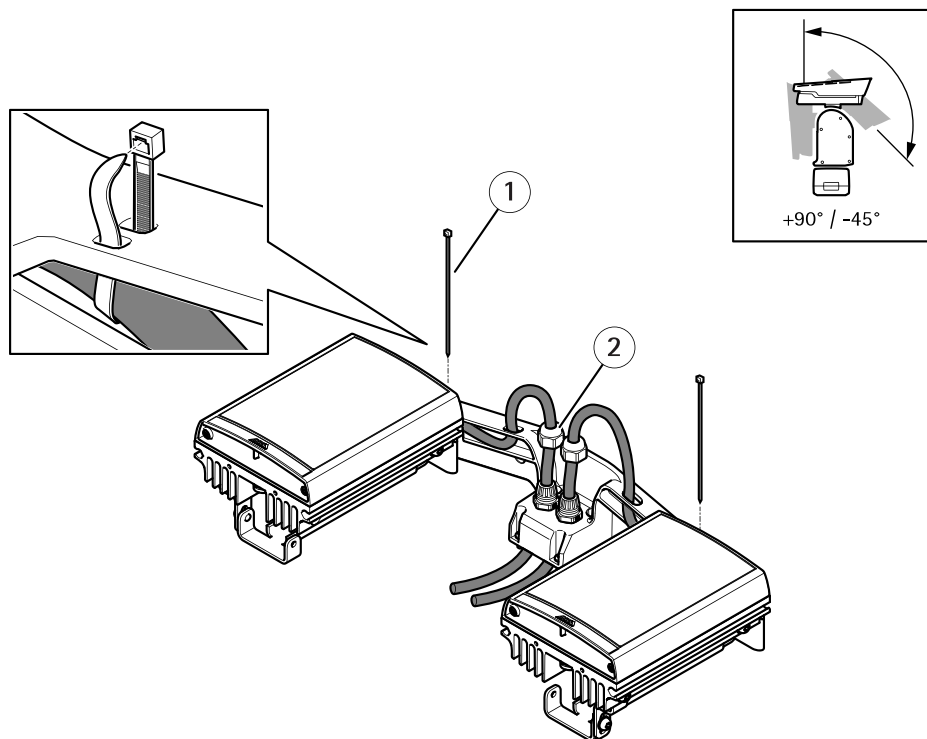


ES

- 1 Iluminador (2)
- 2 Tornillo (M6) (4)

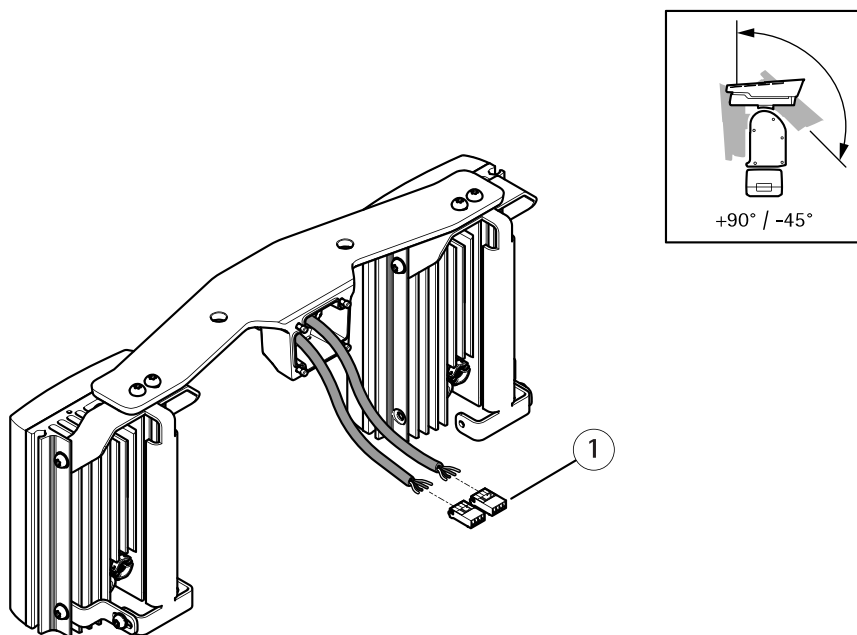
2. Acople los iluminadores al soporte de montaje mediante los cuatro tornillos y arandelas.

AXIS Q8685-LE PTZ Network Camera



- 1 *Abrazaderas de cable (2)*
- 2 *Tuerca de presión (2)*

3. Haga pasar los cables como se muestra en la ilustración superior y apriete las tuercas de presión (par 1,5 Nm).
4. Fije los cables al soporte del iluminador con las abrazaderas para cables.

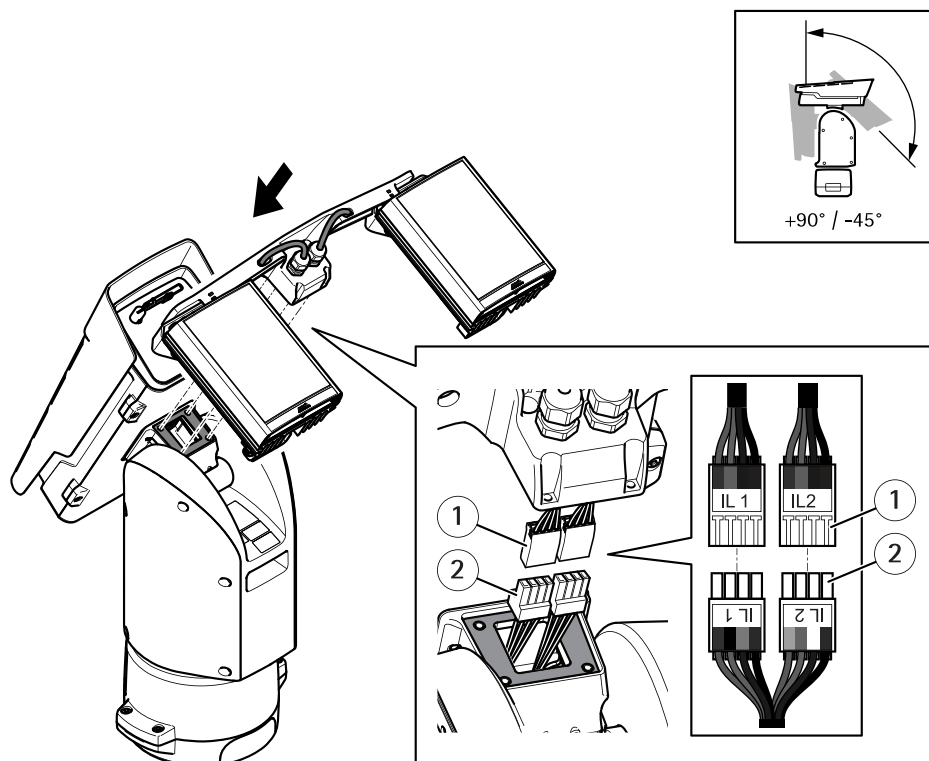


ES

1 Conectores del iluminador (2)

5. Instale los conectores. Consulte *Conectores en la página 265*.

AXIS Q8685-LE PTZ Network Camera



- 1 Conectores desde el iluminador (2)
- 2 Conector desde la unidad de posición (2)

6. Conecte los cables. Consulte *Conectores en la página 265*.
7. Fije el soporte del iluminador a la unidad de posicionamiento con los cuatro tornillos (T20, par 3,0 Nm).

Cómo acceder al producto

Para localizar dispositivos de Axis en la red y asignarles direcciones IP en Windows®, utilice AXIS IP Utility o AXIS Device Manager. Ambas aplicaciones son gratuitas y pueden descargarse desde axis.com/support

Para obtener más información sobre el uso del producto, consulte el manual del usuario, disponible en axis.com.

Establecer la configuración invertida

Nota

Esta tarea solo se aplica si se utiliza la configuración invertida.

Importante

Estas instrucciones solo se aplican al firmware de dispositivo inferior a v8.40.

1. Vaya a la página web del producto.
2. Vaya a **Settings > System Options > Maintenance** (Configuración > Opciones del sistema > Mantenimiento) y haga clic en **Default** (Predeterminado).
3. Espere a que la cámara se restablezca.
4. Vaya a la página web del producto.
5. Vaya a **Setup > PTZ > Advanced > Device > Extended Driver Specific Settings for Video Source 1** (Configuración > PTZ > Avanzadas > Dispositivo > Configuración ampliada del controlador específico para fuente de vídeo 1).
6. Vaya a **Camera housing configuration** (Configuración de carcasa de cámara) y seleccione **Inverted** (Invertida).
7. Haga clic en **Save** (Guardar).

ES

Importante

Estas instrucciones solo se aplican al firmware de dispositivo v8.40 o superior.

1. Vaya a la página web del producto.
2. Vaya a **Settings > System > Maintenance** (Configuración > Sistema > Mantenimiento) y haga clic en **Default** (Predeterminado).
3. Espere a que la cámara se restablezca.
4. Vaya a la página web del producto.
5. Vaya a **Settings > System > Plain Config > PTZ** (Configuración > Sistema > Config. sencilla > PTZ).
6. Vaya a **Camera housing configuration** (Configuración de carcasa de cámara) y seleccione **Inverted** (Invertida).
7. Haga clic en **Save** (Guardar).

Activar el kit de iluminador

Importante

Estas instrucciones solo se aplican al firmware de dispositivo inferior a v8.40.

1. Vaya a la página web del producto.
2. Vaya a **Setup > PTZ > Advanced > Device > Extended Driver Specific Settings for Video Source 1** (Configuración > PTZ > Avanzadas > Dispositivo > Configuración ampliada del controlador específico para fuente de vídeo 1).
3. Para **Illuminator > IL1 type** (Iluminador > Tipo IL1):

- Seleccione **IR (Infrarrojos)** si ha conectado un iluminador de infrarrojos.
 - Seleccione **White (Blanco)** para un iluminador de luz blanca.
4. Repita los pasos anteriores para **Iluminator > IL2 type (Iluminador > Tipo IL2)**.

Importante

Estas instrucciones solo se aplican al firmware de dispositivo **v8.40 o superior**.

1. Vaya a la página web del producto.
2. Vaya a **Settings > System > Accessories (Configuración > Sistema > Accesorios)**.
3. Para **Iluminator > IL1 type (Iluminador > Tipo IL1)**:
 - Seleccione **IR (Infrarrojos)** si ha conectado un iluminador de infrarrojos.
 - Seleccione **White (Blanco)** para un iluminador de luz blanca.
4. Repita los pasos anteriores para **Iluminator > IL2 type (Iluminador > Tipo IL2)**.


Instalación de una tarjeta SD (opcional)

Puede emplearse una tarjeta SD estándar o de gran capacidad (no incluida) para el almacenamiento local de grabaciones en el producto. Consulte *Especificaciones en la página 265* antes de instalar la tarjeta SD.


1. Desconecte la alimentación del producto.
2. Extraiga los cuatro tornillos de la cubierta superior y retírela.
3. Inserte una tarjeta SD en la ranura para tarjetas SD; consulte *Información general del hardware en la página 232*.
4. Vuelva a colocar la cubierta superior y apriete los tornillos (par 3.0 Nm).
5. Vuelva a conectar la alimentación del producto.

Restablecimiento a la configuración predeterminada de fábrica

▲PRECAUCIÓN

 Riesgo de lesiones. Piezas móviles. No acerque ninguna parte del cuerpo al producto mientras esté funcionando. Desconecte la fuente de alimentación antes de realizar trabajos de instalación o mantenimiento en el producto.

▲PRECAUCIÓN

 Riesgo de lesiones. Superficie caliente. No toque el producto durante su funcionamiento. Desconecte la fuente de alimentación y deje que se enfríen las superficies antes de realizar trabajos de mantenimiento en el producto.

Importante

Es preciso tener cuidado si se va a restablecer la configuración predeterminada de fábrica. Todos los valores, incluida la dirección IP, se restablecerán a la configuración predeterminada de fábrica.

Nota

Las herramientas del software de instalación y gestión están disponibles en las páginas de asistencia técnica en www.axis.com/support/downloads.

ES

Para restablecer el producto a la configuración predeterminada de fábrica:

1. Desconecte la alimentación del producto.
2. Extraiga los cuatro tornillos de la cubierta superior y retírela.
3. Cambie la posición del conmutador predeterminado de fábrica, consulte *Información general del hardware en la página 232*.
4. Vuelva a colocar la cubierta superior y apriete los tornillos (par 3,0 Nm).
5. Vuelva a conectar la alimentación del producto.

También es posible restablecer los parámetros a los valores predeterminados de fábrica mediante la interfaz web.

Más información

- La guía de instalación y el manual del usuario del dispositivo están disponibles en axis.com.
- Para comprobar si hay una versión de firmware actualizada para su dispositivo, consulte axis.com/support.
- Para consultar cursos, seminarios web, tutoriales y guías que pueden resultarle útiles, vaya a axis.com/academy.

Accesorios opcionales

Para conocer una lista completa de los accesorios disponibles para este producto, vaya a la página axis.com y seleccione Software y accesorios.


Información de garantía

Para obtener más detalles sobre la garantía del producto Axis y la información relacionada con ella, visite axis.com/warranty.


Especificaciones

Ranura para tarjetas SD

⚠PRECAUCIÓN

 Riesgo de lesiones. Piezas móviles. No acerque ninguna parte del cuerpo al producto mientras esté funcionando. Desconecte la fuente de alimentación antes de realizar trabajos de instalación o mantenimiento en el producto.

⚠PRECAUCIÓN

 Riesgo de lesiones. Superficie caliente. No toque el producto durante su funcionamiento. Desconecte la fuente de alimentación y deje que se enfríen las superficies antes de realizar trabajos de mantenimiento en el producto.

AVISO

- Riesgo de daños en la tarjeta SD. No emplee herramientas afiladas, objetos de metal ni demasiada fuerza al insertar o extraer la tarjeta SD. Utilice los dedos para insertar o extraer la tarjeta.
- Riesgo de pérdida de datos y grabaciones dañadas. No extraiga la tarjeta SD mientras el producto esté en funcionamiento. Desinstale la tarjeta SD desde la página web de producto antes de retirarla.

Este producto admite tarjetas SD/SDHC/SDXC.

Para conocer las recomendaciones sobre tarjetas SD, consulte axis.com.

Conectores

Conector de red

Conector Ethernet RJ45.

Conector SFP.

AVISO

El producto debe conectarse mediante un cable de red blindado (STP) o un cable de fibra óptica. Todos los cables que conecten el producto a la red deberán estar blindados para su uso específico. Asegúrese de que los dispositivos de red estén instalados de conformidad con las instrucciones del fabricante. Para obtener información sobre los requisitos normativos, vea .

Conector de E/S

Utilice el conector de E/S con dispositivos externos en combinación con detección de movimiento, activación de eventos y notificaciones de alarma, por ejemplo. Además del punto de referencia de 0 V CC y la alimentación (salida de CC), el conector de E/S ofrece una interfaz para:

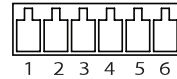
AXIS Q8685-LE PTZ Network Camera

Entrada digital – Conectar dispositivos que puedan alternar entre circuitos cerrados y abiertos, por ejemplo, sensores PIR, contactos de puertas y ventanas o detectores de cristales rotos.

Salida digital – Conectar dispositivos externos como relés y LED. Los dispositivos conectados se pueden activar mediante la interfaz de programación de aplicaciones VAPIX®, mediante un evento o desde la página web del producto.

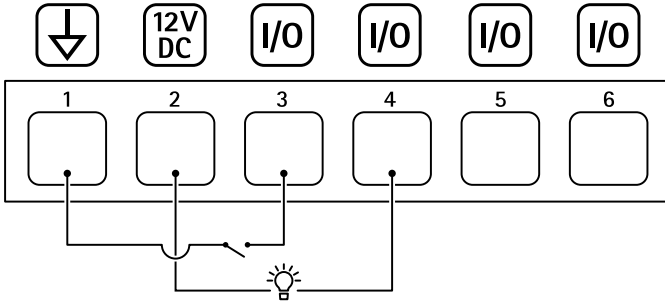
Sensor de luz digital – Para recibir un valor de la intensidad de la luz ambiental desde un sensor de luz externo. Se utiliza para controlar la funcionalidad día/noche del producto.

Bloque de terminales configurable de 6 pines



Función	Pin	Notas	Especificaciones
Tierra CC	1		0 V CC
Salida de CC	2	Se puede utilizar para conectar el equipo auxiliar. Nota: Este pin solo se puede utilizar como salida de alimentación.	12 V CC Carga máx. = 50 mA
Configurable (entrada o salida)	3–6	Entrada digital: conéctela al pin 1 para activarla, o bien déjela suelta (desconectada) para desactivarla.	De 0 a un máximo de 30 V CC
		Salida digital: conectada internamente a pin 1 (tierra CC) cuando está activa; y suelta (desconectada), cuando está inactiva. Si se utiliza con una carga inductiva, por ejemplo, un relé, conecte un diodo en paralelo a la carga como protección contra transitorios de tensión.	De 0 a un máximo de 30 V CC, colector abierto, 100 mA

Ejemplo



- 1 Tierra CC
- 2 Salida de CC 12 V, 50 mA máx.
- 3 E/S configurada como entrada
- 4 E/S configurada como salida
- 5 E/S configurable
- 6 E/S configurable

ES

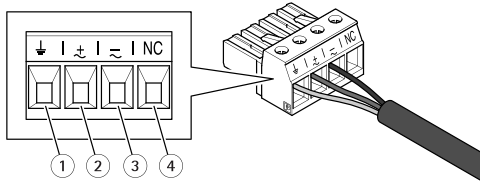
Conector de alimentación

Bloque de terminales de 4 pines para la entrada de alimentación.

Conector de alimentación de 24 V CA/CC

AVISO

Esta sección solo es válida para los productos con alimentación de 24 V CA y 24 V CC.



Esta tabla solo es válida para los conectores de alimentación de 24 V CA y 24 V CC.

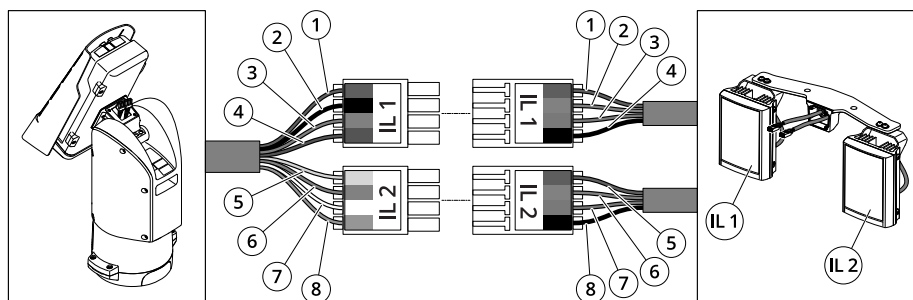
Posición	24 V CA	24 V CC
1	Conexión a tierra de protección	Conexión a tierra de protección
2	Fase de 24 V CA	+ 24 V

AXIS Q8685-LE PTZ Network Camera

Esta tabla solo es válida para los conectores de alimentación de 24 V CA y 24 V CC. (Continuación)

Posición	24 V CA	24 V CC
3	Neutro de 24 V CA	0 V
4	No conectado	No conectado

Conectores del iluminador



	Posición	Color del cable (unidad de posicionamiento)	Color del cable (iluminadores)	Descripción
IL1	1	Rojo	Rojo	+24 V IL
	2	Negro	Ámbar	IL1 +VE
	3	Gris	Morado	IL1 -VE
	4	Azul	Negro	GND
IL2	5	Amarillo	Rojo	+24 V IL
	6	Ámbar	Ámbar	IL2 +VE
	7	Blanco	Morado	IL2 -VE
	8	Verde	Negro	GND

Cables

Grosor del cable

El diámetro del cable, si se usan las juntas para cables suministradas con este producto, debe ser de entre 5 y 11 mm.

AVISO

- Utilice cables que puedan permanecer dentro del área de cableado especificada.
- Elija cables que cumplan la normativa local aplicable.
- Asegúrese de que todos los orificios para cables estén debidamente sellados.
- Utilice juntas de cable o prensaestopas que se ajusten tanto al orificio para cable como al área de cableado.

Para obtener información acerca de los accesorios, como juntas de cable y prensaestopas permitidos para otras áreas de cableado, visite www.axis.com.

ES

Condiciones de funcionamiento

Este producto de Axis se ha creado para su uso en interiores y exteriores.

Temperatura	Humedad
Normal: de -50 °C a 55 °C Máxima (intermitente): 65 °C Conmutador de arranque en frío: de -40 °C a 55 °C	Humedad relativa: del 10 al 100 % (sin condensación)

Consumo de energía

Consumo normal	Consumo máximo
Sin iluminación: 16 W Con iluminación: 64 W	Sin iluminación: 204 W Con iluminación: 300 W

Importante

Si se usa el cable AXIS de 24 V CC/24–240 V CA de 22 m, se necesita una fuente de alimentación con capacidad de 400 W para compensar la pérdida de alimentación en el cable.

AVISO

Los valores de consumo de energía normales se basan en lo siguiente:

AXIS Q8685-LE PTZ Network Camera

- No se tienen en cuenta las pérdidas en el cable de alimentación
- No hay posicionamiento activo
- No hay motor de la escobilla activo
- La temperatura es de 25 °C con todos los calefactores apagados
- Una transmisión H.264 a resolución máxima
- La transmisión MJPEG se graba en una tarjeta SD
- Lámparas de infrarrojos activada el 50 % del tiempo con iluminación

安全情報

危険レベル

▲危険

回避しない場合、死亡または重傷につながる危険な状態を示します。

▲警告

回避しない場合、死亡または重傷につながるおそれのある危険な状態を示します。

▲注意

回避しない場合、軽傷または中程度の怪我につながるおそれのある危険な状態を示します。

注意

回避しない場合、器物の破損につながるおそれのある状態を示します。

その他のメッセージレベル

重要

製品を正しく機能させるために不可欠な重要情報を示します。

注

製品を最大限に活用するために役立つ有用な情報を示します。

安全手順


▲危険

感電の危険があります。製品の設置やメンテナンスを行う前にすべてのケーブルの通電を切ってください。


▲警告

本製品の設置は、お使いになる地域の法律や規制に準拠して、訓練を受けた専門技術者が行ってください。


▲注意

 本製品は赤外線を放射します。眼に有害となる可能性があります。目に直接入らないように、シールドまたは目の保護具を使用してください。

▲注意

 可動部品が含まれています。怪我をする恐れがあります。動作中は、身体の一部を本製品に近づけないでください。本製品の設置やメンテナンスを行う前には電源を切ってください。

▲注意

 表面が熱くなります。怪我をする恐れがあります。動作中は、本製品に触れないでください。本製品のメンテナンスを行う前には電源を切り、表面が冷えるまで待ってください。

注意

- 本製品は、お使いになる地域の法律や規制に準拠して使用してください。
- 本製品は乾燥した換気のよい環境に保管してください。
- 本製品に衝撃または強い圧力を加えないでください。
- 本製品を不安定なポール、ブラケット、表面、または壁に設置しないでください。
- 本製品を設置する際には、適切な工具のみを使用してください。電動工具を使用して過剰な力をかけると、製品が損傷することがあります。
- 化学薬品、腐食剤、噴霧式クリーナーは使用しないでください。
- 清掃には、きれいな水に浸した清潔な布を使用してください。
- 製品の技術仕様に準拠したアクセサリのみを使用してください。これらのアクセサリは、Axisまたはサードパーティから入手できます。Axisは、ご使用の製品と互換性のあるAxis給電ネットワークスイッチの使用を推奨します。
- Axisが提供または推奨する交換部品のみを使用してください。
- 製品を自分で修理しないでください。修理については、Axisサポートまたは販売代理店にお問い合わせください。
- 太陽などの高輝度の光源にはカメラのレンズを向けないでください。カメラが損傷することがあります。
- 最低0.5 mm²または20 AWGの黄/緑色のケーブルを使用してください。

輸送

注意

- 本製品を運搬する際は、製品が損傷しないよう、元の梱包か同等の梱包を使用してください。

バッテリー

本製品は、内部リアルタイムクロック (RTC) 用電源として、3.0 V BR2032リチウムバッテリーを使用します。このバッテリーは、通常条件下で最低5年間使用できます。

注意

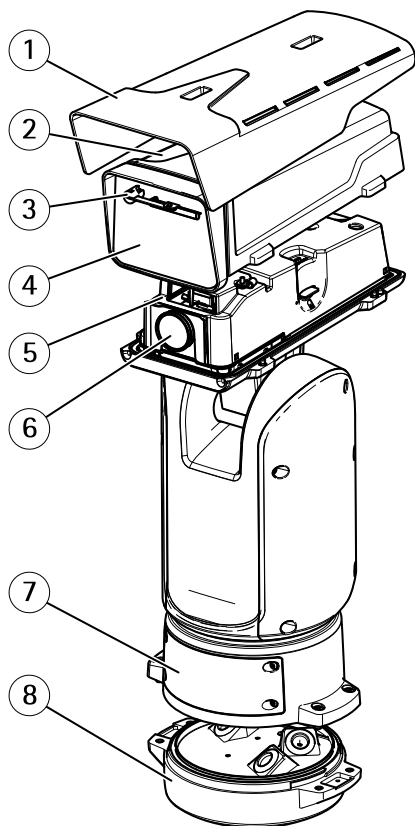
自分でバッテリーを交換しないでください。バッテリー交換を求めるログメッセージが表示された場合は、Axisサポートにお問い合わせください。

リチウムコイン型3.0 V電池は、1,2-ジメトキシエタン (エチレングリコールジメチルエーテル (EGDME)、CAS番号110-71-4) を含有しています。

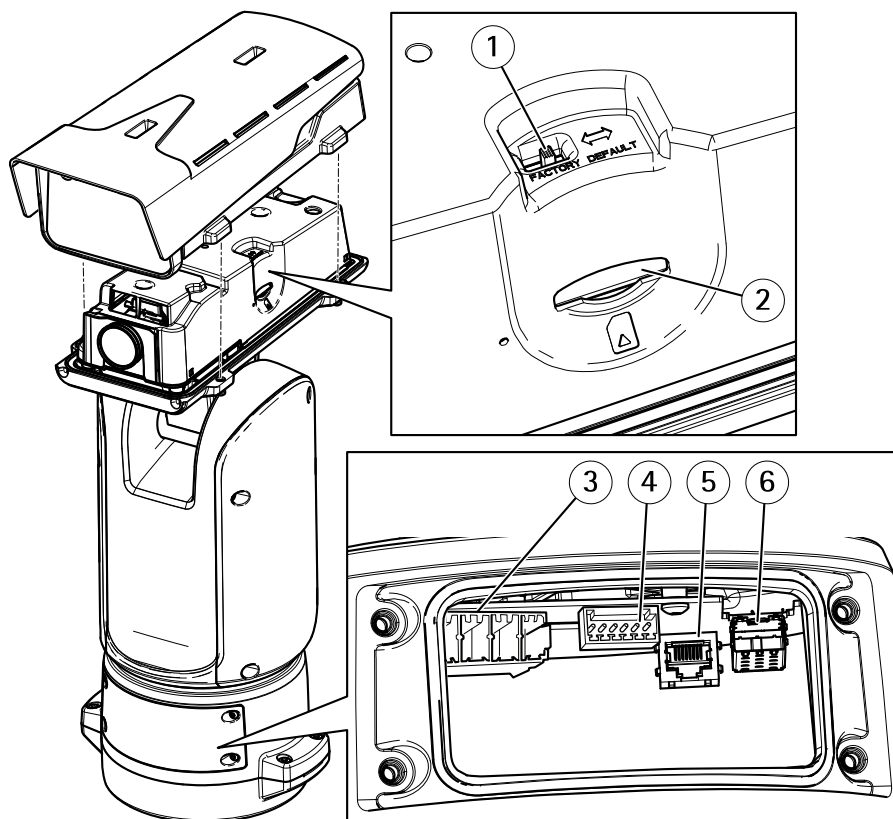
パッケージの内容

- AXIS Q8685-LE PTZネットワークカメラ
- AXIS PT 赤外線イルミネーターキットC
- 電源コネクタ
- I/Oコネクタ
- Torx® ビットT20およびT30
- 印刷物
 - インストールガイド(本書)
 - 予備のシリアル番号ラベル(2枚)
 - AVHS認証キー

ハードウェアの概要



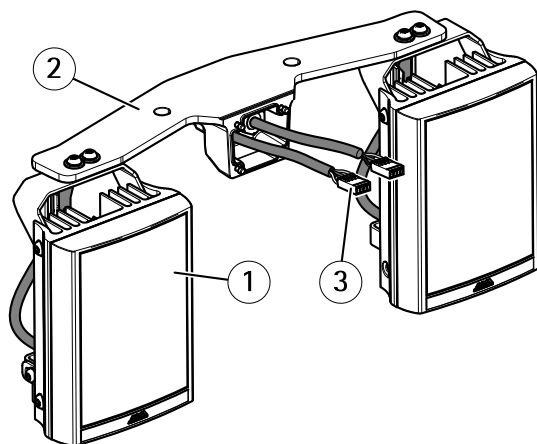
- 1 サンシールド
- 2 上蓋
- 3 ワイパー
- 4 正面ウィンドウ
- 5 内部カバー
- 6 レンズ
- 7 蓋
- 8 ベースユニット



- 1 工場出荷時の設定スイッチ
- 2 SDメモリーカードスロット
- 3 入力電力コネクタ
- 4 I/Oコネクタ
- 5 RJ45コネクタ
- 6 SFPモジュール用SFPスロット (SFPモジュールは付属していません)

JA

AXIS Q8685-LE PTZ Network Camera

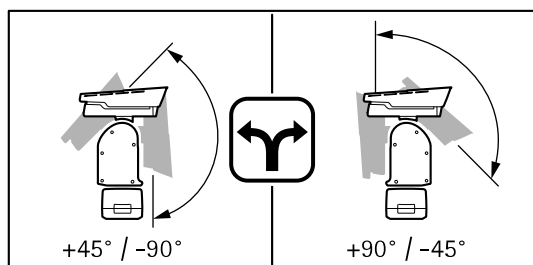


- 1 イルミネーター (×2)
- 2 イルミネーターブラケット
- 3 イルミネーターコネクター (×2)

製品の取り付け方法

主な設置タスク

1. 279ページ、ベースユニットの取り付け
2. 281ページ、ケーブルの配線
3. 286ページ、ネットワークリンクのインストール
4. 287ページ、ケーブルの接続
5. イルミネーターキットを設置します。二つの設置のうち一つを実施します。
 - 289ページ、イルミネーターキットの設置 (デフォルト設置)
 - 295ページ、逆向き設置、続いて298ページ、イルミネーターキットの設置 (逆向き設置)
6. 304ページ、製品のアクセス方法
7. 304ページ、逆向き設定で取り付ける
8. 305ページ、イルミネーターキットを有効にする
9. 306ページ、SDカードの装着 (オプション)



JA

▲危険

感電の危険があります。製品を設置する前に、すべてのケーブルの通電を切ってください。

▲注意

電気接続およびコンジットの取り付けは、必ず資格のある電気技師が地域の規制に従って行ってください。

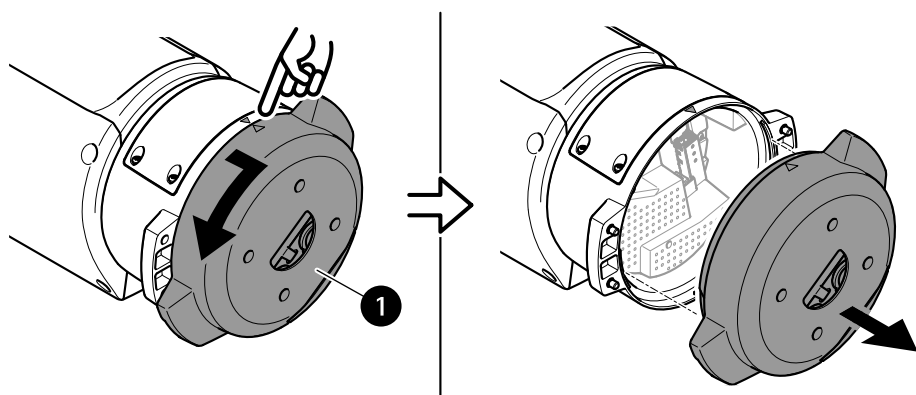
▲注意

⚠ 損傷の危険があります。可動部分。動作中は、体を製品に近づけないでください。製品の設置やメンテナンスを行う前には電源を切ってください。

▲注意

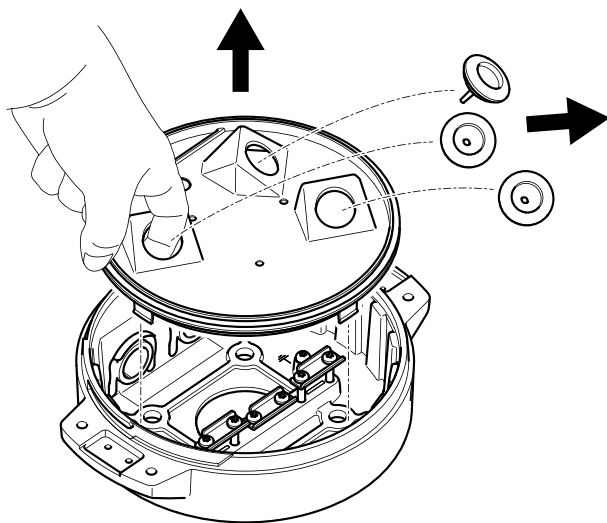
⚠ 損傷の危険があります。表面が熱くなります。動作中は、本製品に触れないでください。製品のメンテナンスを行う前に、電源を切り、表面が冷えるまで待ってください。

ベースユニットの取り付け



1 ベースユニット

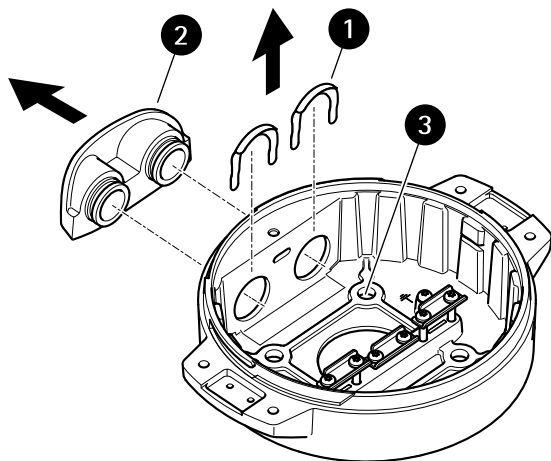
1. ベースユニットのネジ4本 (T30) を外します。
2. ベースユニットと残りの位置決めユニットの矢印が揃うまで、ベースユニットを同時に反時計回りに引いて回します。
3. ベースユニットを取り外します。



注意

透明ベースユニットカバーの取り外しの際には、鋭利な工具を使用しないでください。

4. 透明ベースユニットカバーを取り外します。



- 1 コンジットカバークリップ
- 2 コンジットカバー
- 3 ネジ穴 (x4)

5. コンジットの取り付けの場合にのみ、2つのコンジットカバークリップを取り外し、コンジットカバーを取り外します。
6. 4つのネジ穴に適したファスナーで、ベースユニットを取付面に取り付けます。

JA

ケーブルの配線

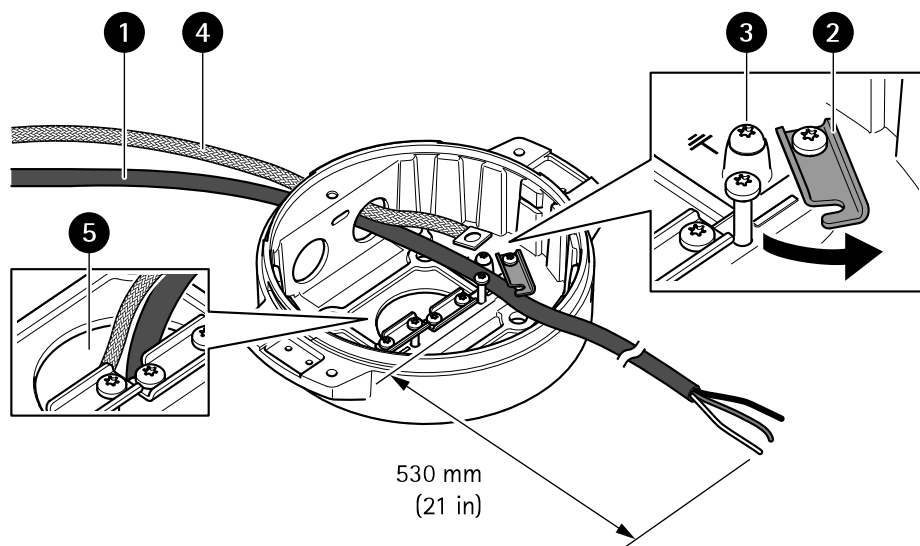
警告

感電の危険があります。本製品は、電源ケーブルおよび接地編組の両方に保護アース線を使用して接地するものとします。保護アース線と接地編組のそれぞれの両端がいずれもアース面と接触していることを確認してください。

重要

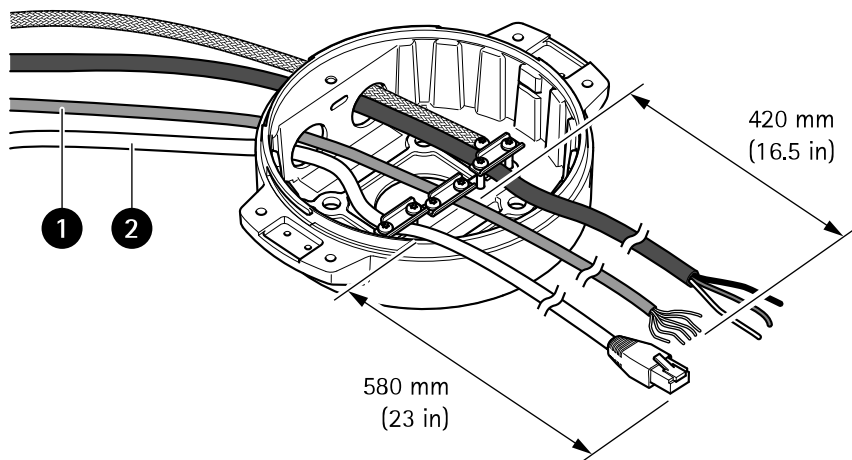
指定のケーブルエリアでの仕様に準拠したケーブルのみ使用してください。詳細については、313ページ、ケーブルの太さを参照してください。

AXIS Q8685-LE PTZ Network Camera



- 1 電源ケーブル (付属していません)
- 2 ストレインリリーフ
- 3 アース端子ネジ
- 4 接地編組 (付属していません)
- 5 底部ケーブル孔

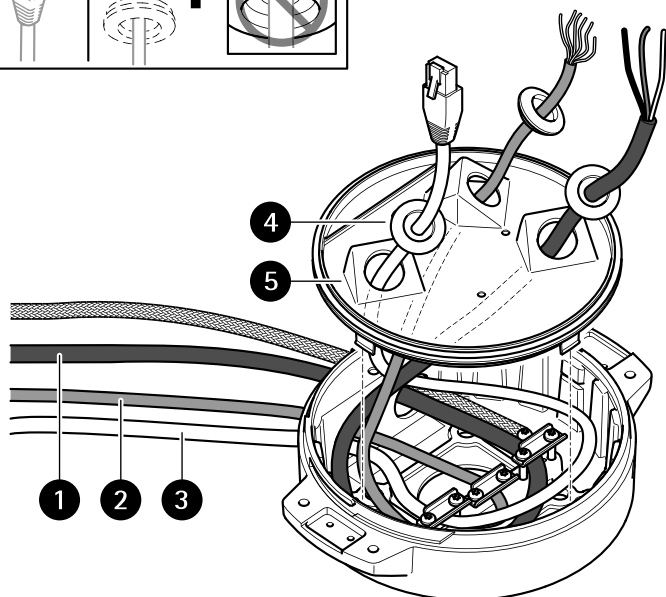
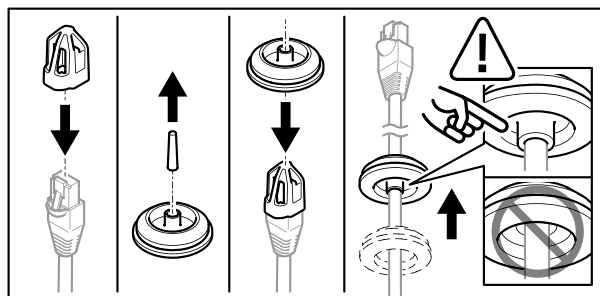
1. オプションのコンジットアダプター (付属していません) を取り付けます。
2. 接地編組をアース端子ネジに接続します。
3. 上図に示すように、ベースユニットの穴から電源ケーブル、I/Oケーブル、およびネットワークケーブルを挿入します。あるいは、それらを底部ケーブル孔から挿入します。
4. ストレインリリーフからケーブルの先端までの距離が530 mmになるように、ストレインリリーフを通じて電源ケーブルを挿入します。



- 1 I/Oケーブル(オプション、付属していません)
- 2 ネットワークケーブル(付属していません)

5. ストレインリリーフからケーブルの先端までの距離が420 mmになるように、ストレインリリーフを通じてI/Oケーブル(オプション)を挿入します。
6. ストレインリリーフからコネクタの先端までの距離が580 mmになるように、ストレインリリーフを通じてネットワークケーブル(光ファイバーケーブルやRJ45ケーブル)を挿入します。さまざまなネットワーク接続オプションの詳細については、286ページ、ネットワークリンクのインストールを参照してください。
7. 3つのストレインリリーフを閉じて締めます。

AXIS Q8685-LE PTZ Network Camera



- 1 電源ケーブル (付属していません)
- 2 I/Oケーブル (オプション、付属していません)
- 3 ネットワークケーブル (付属していません)
- 4 ケーブルガスケット
- 5 透明ベースユニットカバー

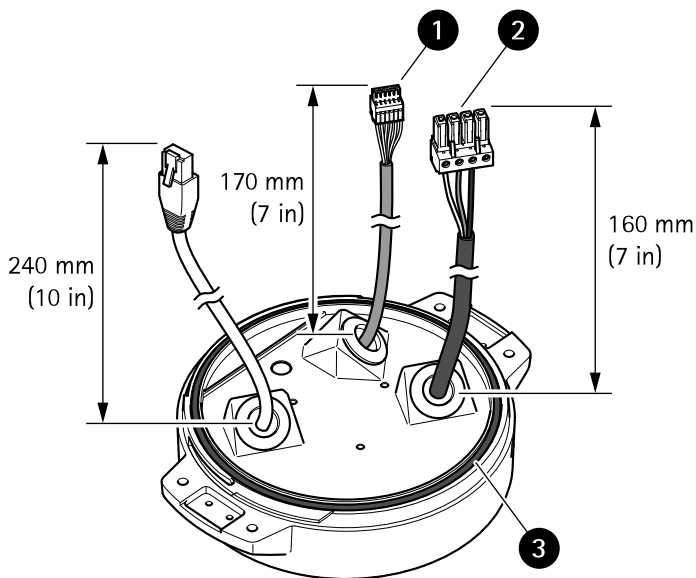
8. ケーブルに合ったケーブルガスケットを取り付けます。313ページ、ケーブルの太さを参照してください。
9. 上図に示すように、ケーブルガスケットを含めて、電源ケーブル、I/Oケーブル、ネットワークケーブルを透明ベースユニットのカバー孔から挿入し、ケーブルの配置を調整します。

注意

光ファイバーとRJ45ケーブルの両方をネットワーク接続に使用している場合、光ケーブルはI/Oケーブルと同じケーブルガスケットを通します。漏電防

止のために、シーラントをケーブルとケーブルガasketの間に貼り付けます。さまざまなネットワーク接続オプションの詳細については、286ページ「ネットワークリンクのインストール」を参照してください。

10. ベースユニットの上に透明ベースユニットカバーを置き、穴の内側にケーブルガasketをはめ込みます。



- 1 I/Oコネクタ
- 2 電源コネクタ
- 3 O-リング

注意

ケーブルが引っ張られた場合に誤って装置を電源から切断しないように、保護接地線は他の2本の線(電源ケーブル内)よりも約10 mm長くしてください。

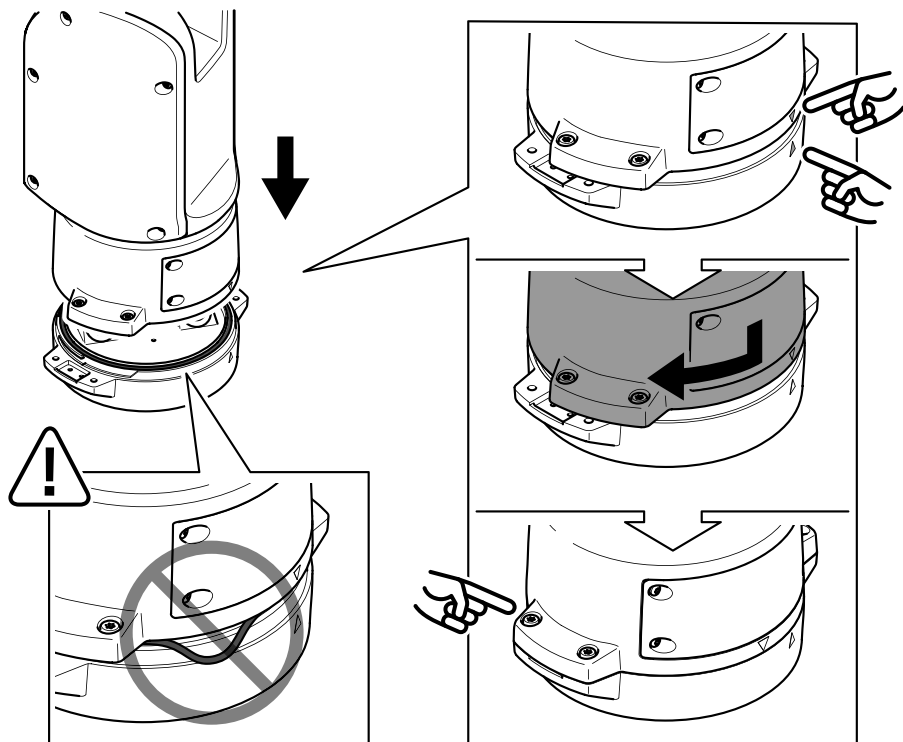
注

設置をできるだけ簡単にするために、電源ケーブルジャケットの約90 mmとI/Oケーブルジャケットの70 mmを取り除くことをお勧めします。

11. 電源およびI/Oコネクタを取り付けます。
12. ネットワークケーブル、I/Oケーブル、および電源ケーブルのケーブルガasketからコネクタの端までの距離が、それぞれ240 mm、170 mm、160 mmになるように調整します。

注意

Oリングが透明ベースユニットカバーに正しく取り付けられていることを確認します。

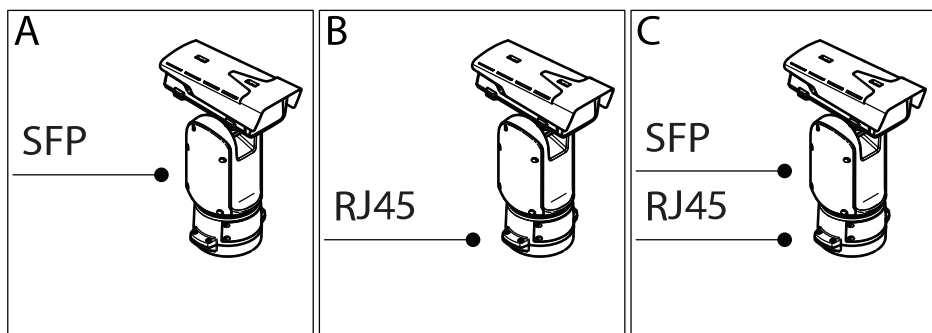


13. ポジショニングユニットをベースユニットに配置します。2つのユニット上の矢印が一直線上になっていることを確認してください。
14. ポジショニングユニットを元の位置に戻るまで時計回りに回し、ベースユニットのネジ4本を締めます (トルク3.0 Nm)。

注意

2つのユニットを組み立てるときにケーブルが締め付けられないように注意してください。

ネットワークリンクのインストール



次のいずれかの方法で、ネットワーク リンクをインストールすることができます:

- A: SFPポートで(それぞれのコネクタを使用して)SFPモジュールに接続された光ファイバーまたはRJ45ケーブルを介して接続。
- B: 固定RJ45コネクタに接続されたRJ45ケーブルを介して接続。
- C: 上記の両方を使用して接続。この場合、SFPモジュール接続はプライマリネットワークリンクとして機能し、固定のRJ45接続はフェイルオーバーリンクとして機能します。

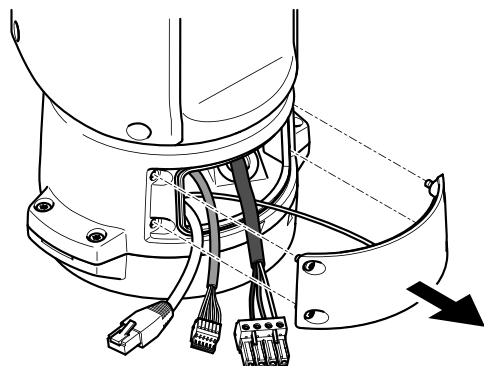
JA

ネットワークコネクタの位置の詳細については、を参照してください。

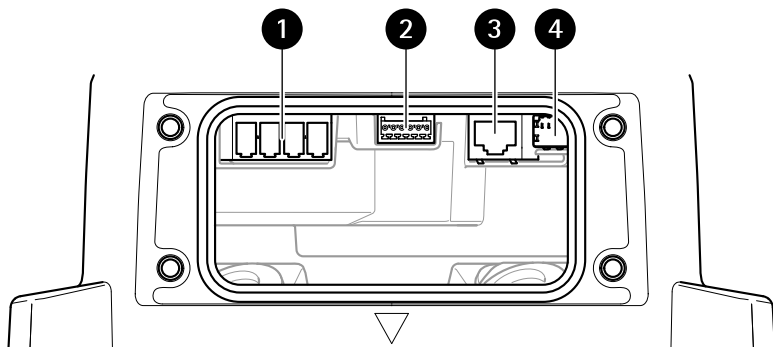
注

- SFPモジュールは付属していません。利用可能なSFPモジュールについては、axis.comを参照してください。
- 当該SFPモジュールを使用する光ファイバーケーブルのみを介してネットワークリンクをインストールする方法は、ケーブルを長距離に設置するスタンドアロンのソリューションとして有効です。

ケーブルの接続

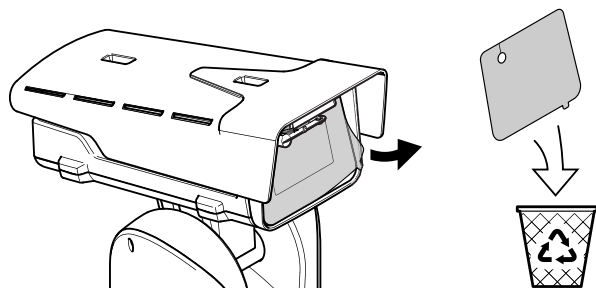


1. 4つの蓋止めネジ (T20) をゆるめ、蓋を取り外します。



- 1 入力電力コネクタ
- 2 I/Oコネクタ
- 3 RJ45コネクタ
- 4 SFPモジュール用SFPスロット (SFPモジュールは付属していません)

2. ネットワーク (光ファイバーまたはRJ45) に接続し、I/Oおよび電源ケーブルを接続します。さまざまなネットワーク接続オプションの詳細については、286ページ、ネットワークリンクのインストールを参照してください。
3. 蓋を位置に戻し、4つの蓋ネジを締めます (トルク3.0 Nm)。



4. 保護カバーを取り外します。
5. 製品の電源を入れます。

イルミネーターキットの設置 (デフォルト設置)

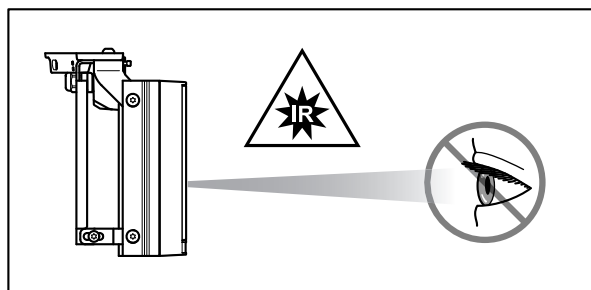
▲警告

感電の危険があります。電源が切断されていることを確認します。

▲注意

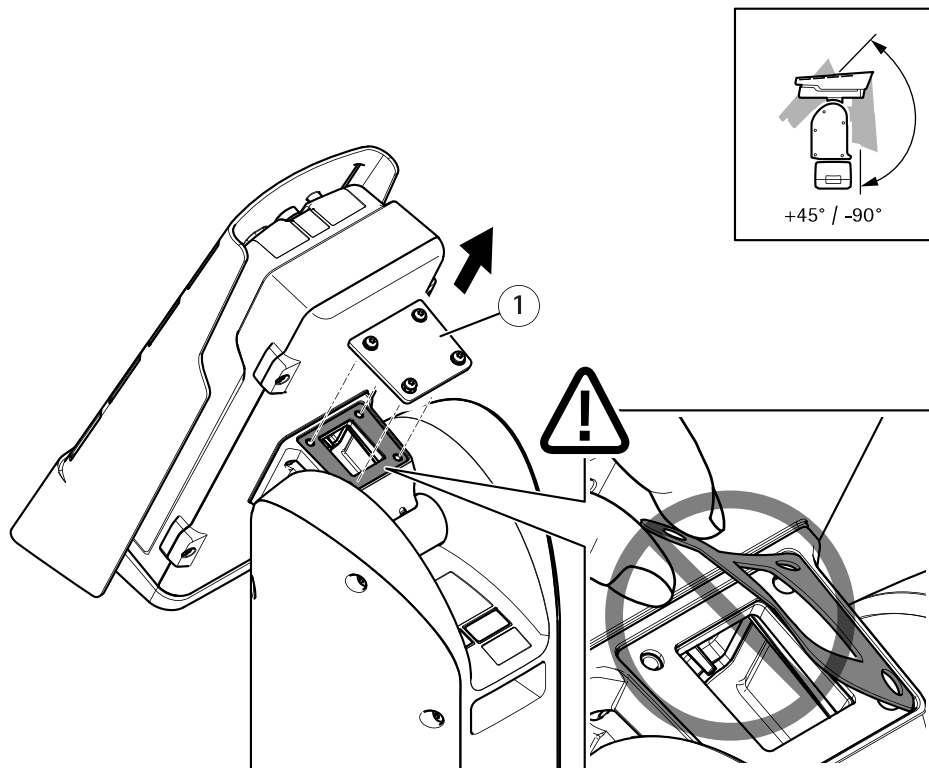
▲ 本製品は赤外線を放射します。眼に有害となる可能性があります。目に直接入らないように、シールドまたは目の保護具を使用してください。

JA



▲注意

正常動作時は、イルミネーター表面が高温になることがあります。直接の接触を許可しないでください。また、権限のない担当者の手が届かない所に装置を配置してください。接触前にイルミネーターのスイッチをオフにし、最低10分間冷却してください。



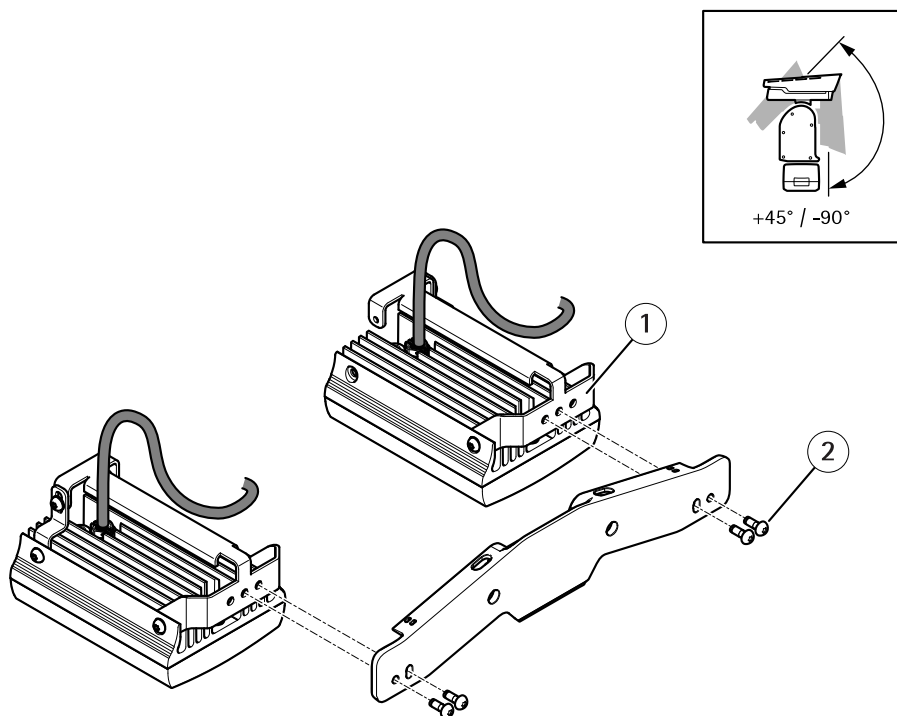
JA

1 カバー

1. カバー用ネジ (T20) 4本を外し、カバーを取り外します。

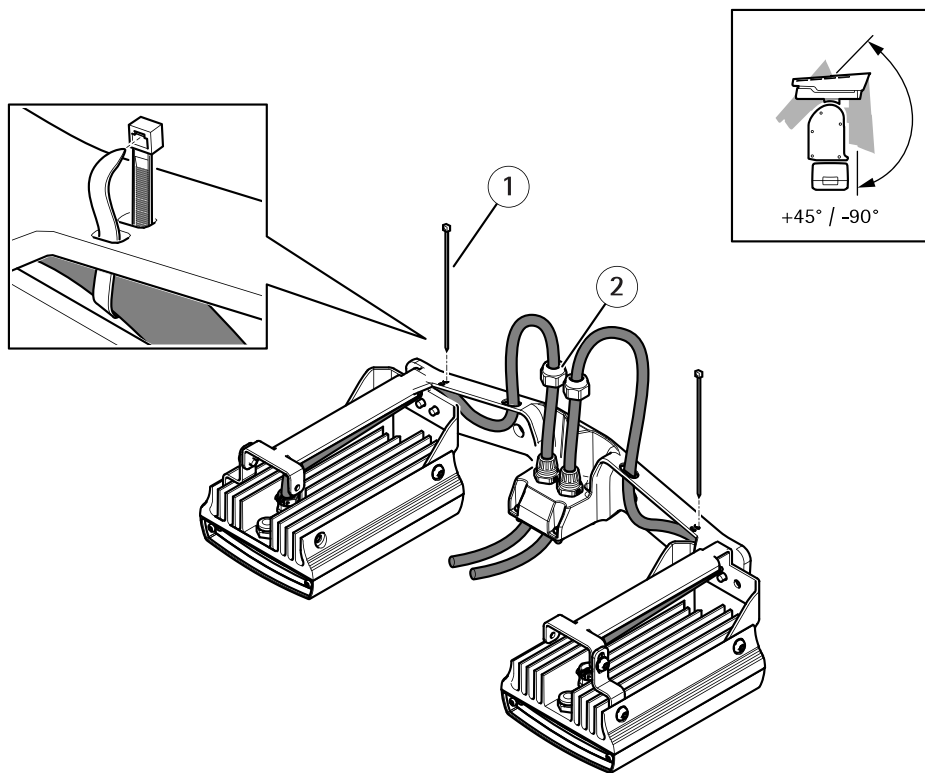
重要

カバー底部のガスケットが固定されたままであることを確認します。



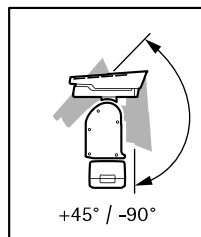
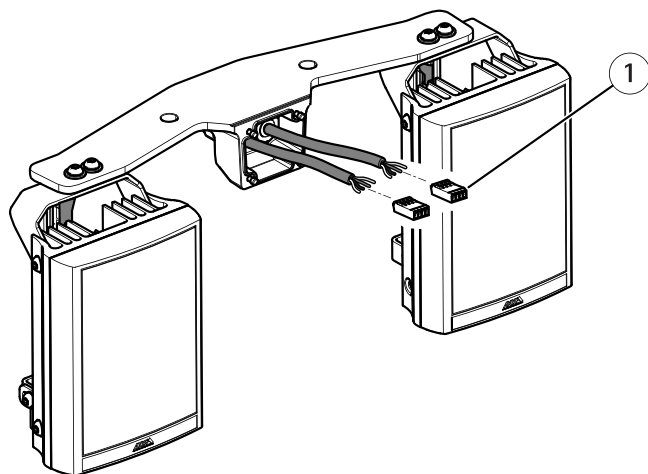
- 1 イルミネーター (×2)
- 2 ネジ (M6、×4)

2. ネジ4本を使用して、イルミネーターをイルミネーターブラケットに装着します。



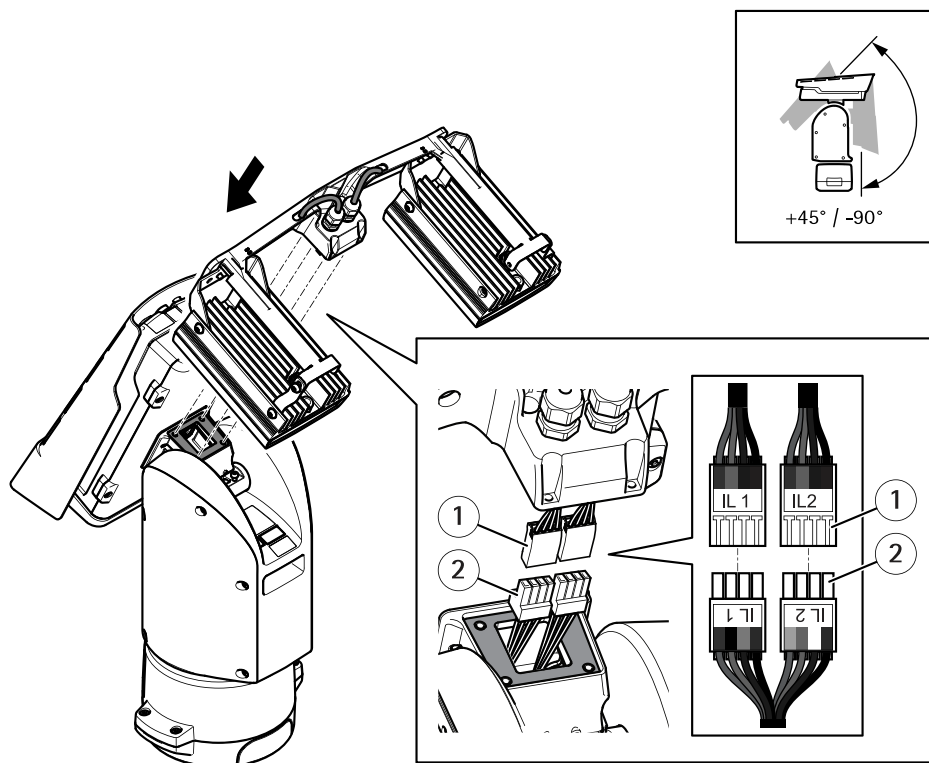
- 1 ケーブルタイ (×2)
- 2 キャップナット (×2)

3. 上図のようにケーブルを通し、キャップナットを締めます (トルク1.5 Nm)。
4. ケーブルタイを使用して、ケーブルをイルミネーターブラケットに固定します。



1 イルミネーターコネクタ (×2)

5. コネクタを取り付けます。309ページ、コネクタを参照してください。



JA

- 1 イルミネーターからのコネクター (×2)
- 2 ポジショニングユニットからのコネクター (×2)

6. ケーブルを接続します。309ページ、コネクターを参照してください。
7. ネジ (T20、トルク3.0 Nm) 4本を使用して、イルミネーターブラケットをポジショニングユニットに装着します。

注

イルミネーターの操作の詳細については、イルミネーターLEDマニュアル (製品ラベルに記載されているモデルを確認) および www.axis.com で互換性のある Axis 製品のユーザーズマニュアルを参照してください。

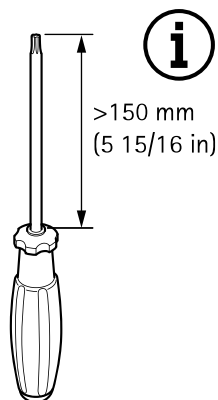
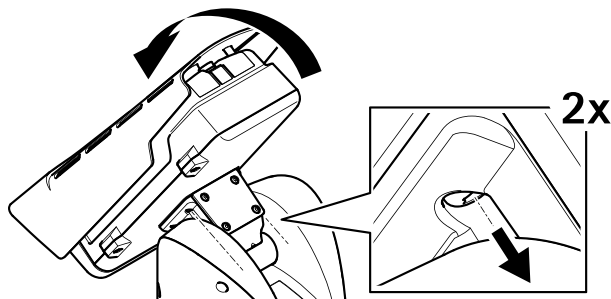
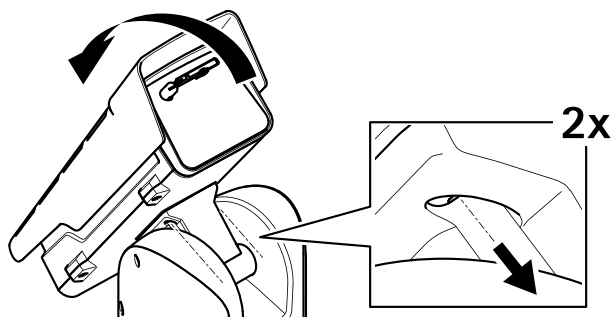
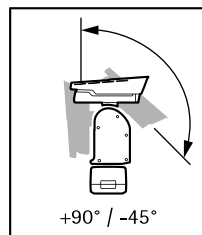
逆向き設置

注

まっすぐ上向きに傾ける必要がある場合は、この設置手順に従ってカメラハウジングを逆向き設定で取り付けます。

▲注意

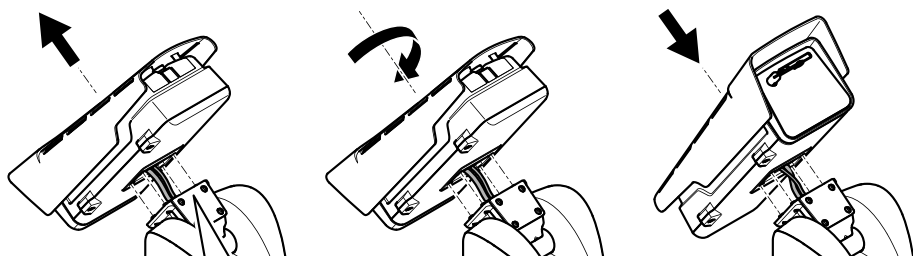
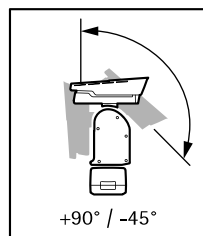
この設置は2人で行う必要があります。



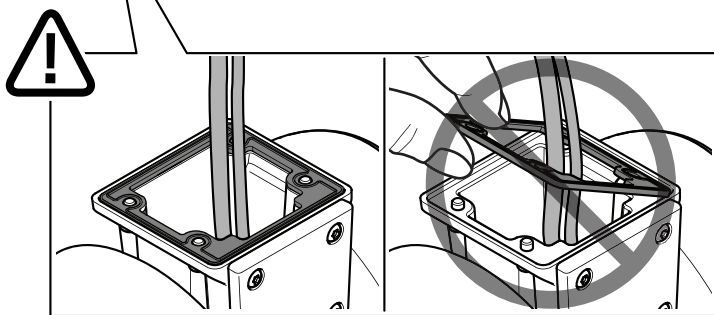
1. 上蓋を端まで後方に傾け、ポジショニングユニット前面の拘束ネジ (T20) 2本を緩めます。
2. 上蓋を端まで前方に傾け、ポジショニングユニット背面の拘束ネジ (T20) 2本を緩めます。

注意

ポジショニングユニットのネジを締めるには、ブレード部が十分に長いドライバーを使用します(上図参照)。



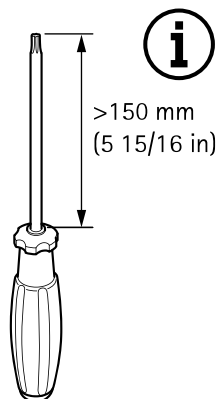
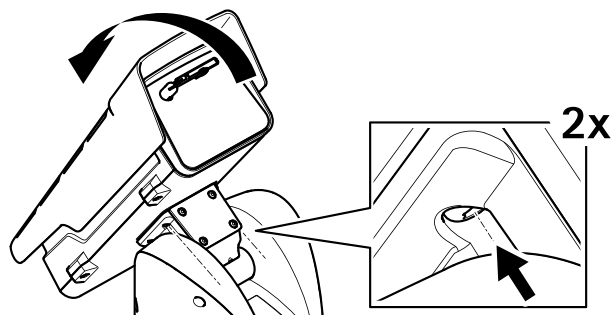
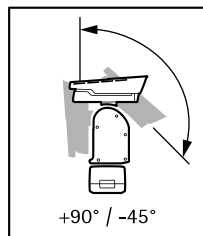
JA



3. カメラユニットを持ち上げて回転させ、逆の位置でポジショニングユニットに取り付けます。

重要

カメラユニット底部のガスケットが固定されたままであることを確認します。



- 裏蓋を端まで後方に傾け、ポジショニングユニット前面のネジ (T20、トルク 3.0 Nm) 2本を締めます。
- 裏蓋を端まで前方に傾け、ポジショニングユニット背面のネジ (T20、トルク 3.0 Nm) 2本を締めます。

注意

ポジショニングユニットのネジを締めるには、ブレード部が十分に長いドライバを使用します (上図参照)。

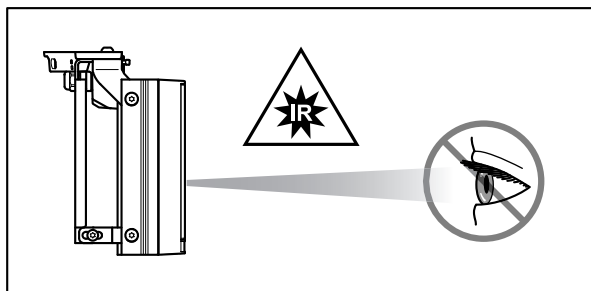
イルミネーターキットの設置 (逆向き設置)

警告

感電の危険があります。電源が切断されていることを確認します。

▲注意

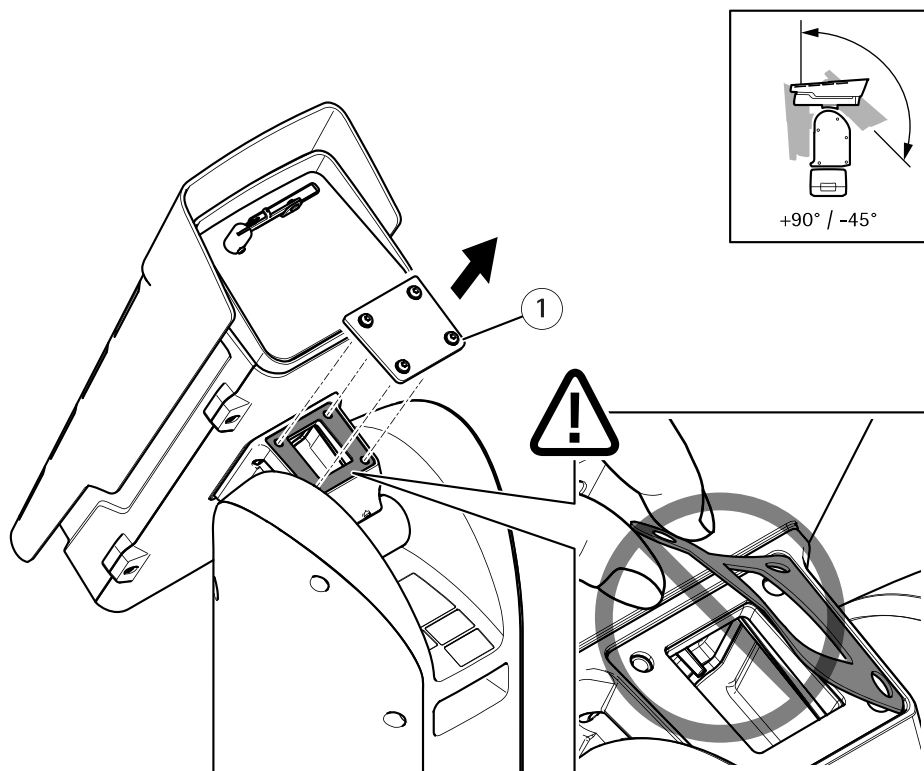
▲ 本製品は赤外線を放射します。眼に有害となる可能性があります。目に直接入らないように、シールドまたは目の保護具を使用してください。



JA

▲注意

正常動作時は、イルミネーター表面が高温になることがあります。直接の接触を許可しないでください。また、権限のない担当者の手が届かない所に装置を配置してください。接触前にイルミネーターのスイッチをオフにし、最低10分間冷却してください。

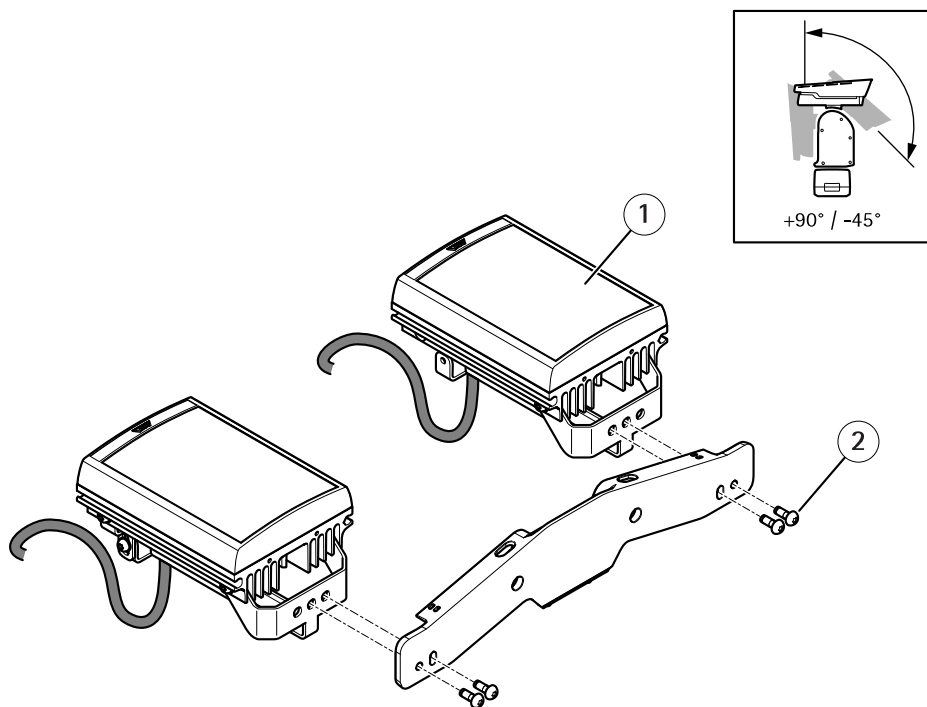


1 カバー

1. カバー上の拘束ネジ (T20) 4本を緩めて、カバーを取り外します。

重要

カバー底部のガスケットが固定されたままであることを確認します。

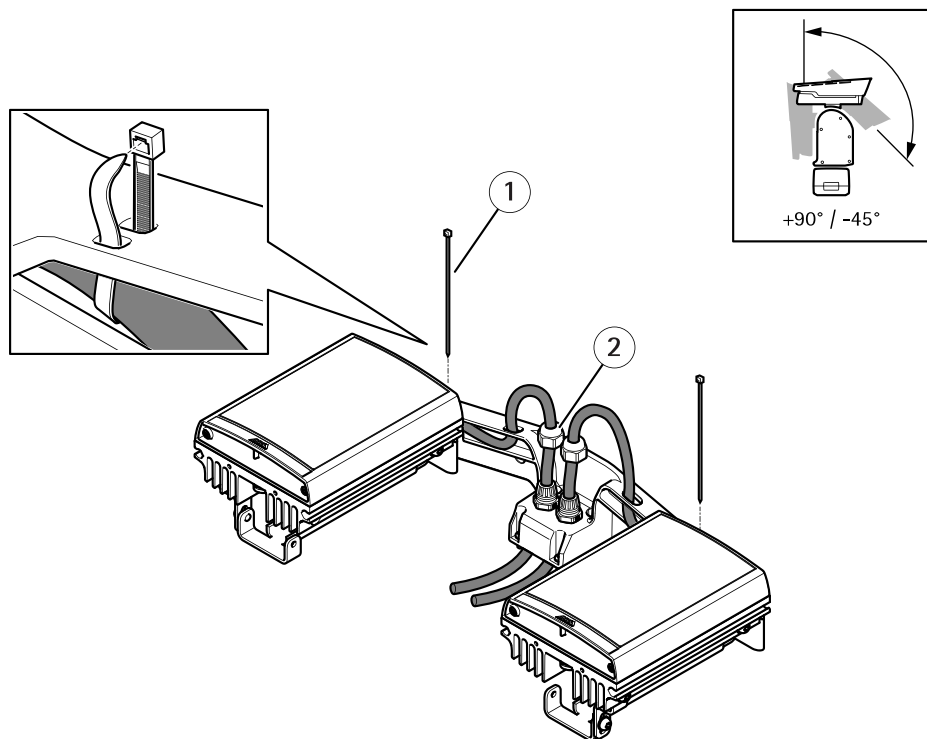


JA

- 1 イルミネーター (×2)
- 2 ネジ (M6、×4)

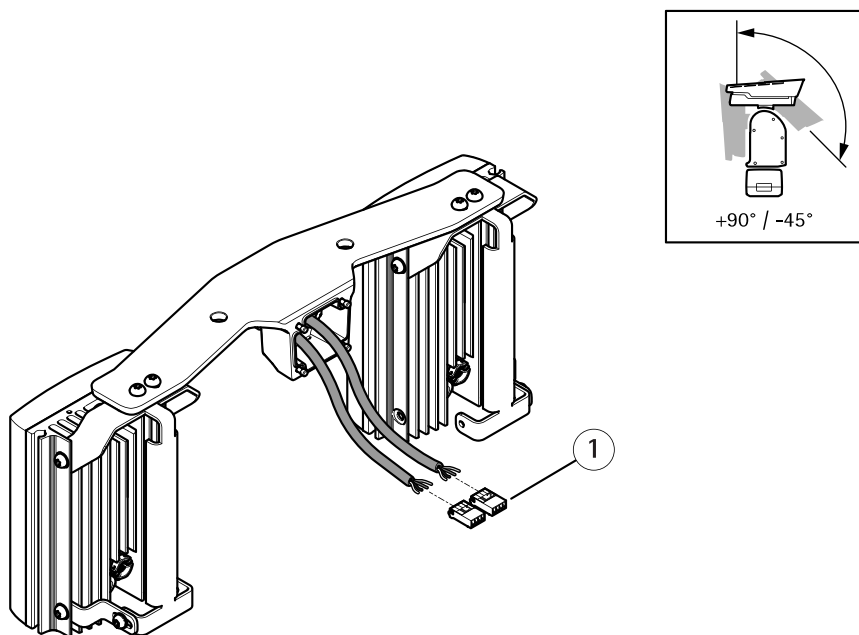
2. 4組のネジとワッシャーを使用して、イルミネーターをイルミネーターブラケットに装着します。

AXIS Q8685-LE PTZ Network Camera



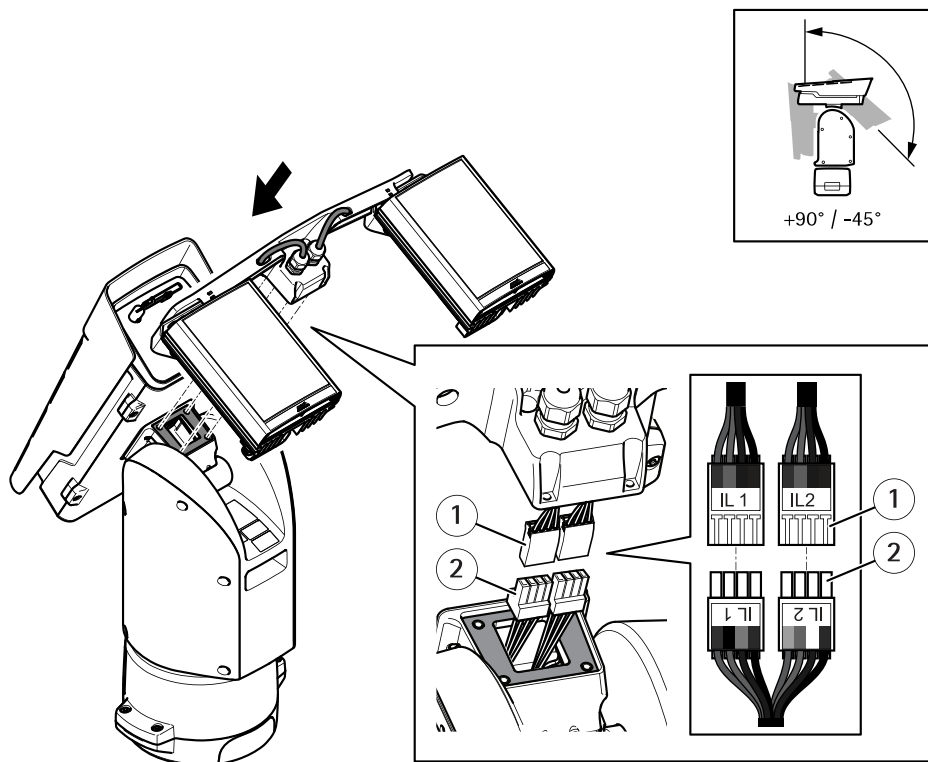
- 1 ケーブルタイ (×2)
- 2 キャップナット (×2)

3. 上図のようにケーブルを通し、キャップナットを締めます(トルク1.5 Nm)。
4. ケーブルタイを使用して、ケーブルをイルミネーターブラケットに固定します。



1 イルミネーターコネクタ (×2)

5. コネクタを取り付けます。309ページ、コネクタを参照してください。



- 1 イルミネーターからのコネクター (×2)
- 2 ポジショニングユニットからのコネクター (×2)

6. ケーブルを接続します。309ページ、コネクターを参照してください。
7. ネジ (T20、トルク3.0 Nm) 4本を使用して、イルミネーターブラケットをポジショニングユニットに装着します。

製品のアクセス方法

Windows®でネットワーク上のAxisデバイスを見つけて、それらにIPアドレスを割り当てるには、AXIS IP UtilityまたはAXIS Device Managerを使用します。いずれのアプリケーションも無料で、axis.com/supportbからダウンロードできます。

製品の使用の詳細については、Axisのホームページ (axis.com) でユーザーズマニュアルを参照してください

逆向き設定で取り付ける

注

この操作は逆向き設定の使用時のみ適用します。

重要

以下の手順は、**v8.40より前**のデバイスファームウェアにのみ適用されます。

1. 製品のWebページに移動します。
2. [Settings > System Options > Maintenance (設定 > システムオプション > メンテナンス)] を選択し、[Default (デフォルト)] をクリックします。
3. カメラがリセットされるのを待ちます。
4. 製品のWebページに移動します。
5. [Setup > PTZ > Advanced > Device > Extended Driver Specific Settings for Video Source 1 (設定 > PTZ > 詳細設定 > デバイス > ビデオソース1用のドライバ固有の拡張設定)] の順に移動します。
6. [Camera housing configuration (カメラハウジングの設定)] に移動し、[Inverted (逆向き)] を選択します。
7. [Save (保存)] をクリックします。

重要

以下の手順は、**v8.40以降**のデバイスファームウェアにのみ適用されます。

1. 製品のWebページに移動します。
2. [Settings > System > Maintenance (設定 > システム > メンテナンス)] を選択し、[Default (デフォルト)] をクリックします。
3. カメラがリセットされるのを待ちます。
4. 製品のWebページに移動します。
5. [Settings > System > Plain Config > PTZ (設定 > システム > プレイン設定 > PTZ)] の順に移動します。
6. [Camera housing configuration (カメラハウジングの設定)] に移動し、[Inverted (逆向き)] を選択します。
7. [Save (保存)] をクリックします。

JA

イルミネーターキットを有効にする

重要

以下の手順は、**v8.40より前**のデバイスファームウェアにのみ適用されます。

1. 製品のWebページに移動します。
2. [Setup > PTZ > Advanced > Device > Extended Driver Specific Settings for Video Source 1 (設定 > PTZ > 詳細設定 > デバイス > ビデオソース1用のドライバ固有の拡張設定)] の順に移動します。
3. [Illuminator > IL1 type (イルミネーター > IL1タイプ)] で、

- 赤外線イルミネーターを接続した場合は、[IR (赤外線)] を選択します。
 - 白色光イルミネーターの場合は、[White (白色光)] を選択します。
4. [Illuminator > IL2 type (イルミネーター > IL2タイプ)] で、上記の手順を繰り返します。

重要

以下の手順は、**v8.40以降**のデバイスファームウェアにのみ適用されます。

1. 製品のWebページに移動します。
2. [Settings > System > Accessories (設定 > システム > アクセサリー)] の順に移動します。
3. [Illuminator > IL1 type (イルミネーター > IL1タイプ)] で、
 - 赤外線イルミネーターを接続した場合は、[IR (赤外線)] を選択します。
 - 白色光イルミネーターの場合は、[White (白色光)] を選択します。
4. [Illuminator > IL2 type (イルミネーター > IL2タイプ)] で、上記の手順を繰り返します。

SDカードの装着 (オプション)

標準または大容量のSDカード (非付属品) を使用すると、ローカルに録画を行えます。SDカードを装着する前に、309ページ、仕様を参照してください。

1. 本製品の電源を切ります。
2. 上蓋用ネジ4本を外し、上蓋を取り外します。
3. SDカードをSDカードスロットに挿入します。276ページ、ハードウェアの概要を参照してください。
4. 上蓋を取り付けて、ネジを締めます (トルク 3.0 Nm)。
5. 本製品に電源を再投入します。

工場出荷時の設定にリセットする

▲注意

⚠ 損傷の危険があります。可動部分があります。動作中は、体を製品に近づけないでください。製品の設置やメンテナンスを行う前に、電源を切ってください。

▲注意

⚠ 損傷の危険があります。表面が熱くなります。動作中は、本製品に触れないでください。製品のメンテナンスを行う前に、電源を切り、表面が冷えるまで待ってください。

重要

工場出荷時の設定へのリセットは慎重に行ってください。工場出荷時の設定へのリセットを行うと、IPアドレスを含むすべての設定が工場出荷時の値にリセットされます。

注

www.axis.com/support/downloadsのサポートページに、インストールおよび管理用のソフトウェアツールが用意されています。

JA

本製品を工場出荷時の設定にリセットするには、以下の手順に従います。

1. 本製品の電源を切ります。
2. 上蓋用ネジ4本を外し、上蓋を取り外します。
3. 工場出荷時の設定スイッチの位置を変更します。276ページ、ハードウェアの概要を参照してください。
4. 上蓋を取り付けて、ネジを締めます (トルク 3.0Nm)。
5. 本製品に電源を再投入します。

Webインターフェースを使用して、各種パラメーターを工場出荷時の設定に戻すこともできます。

関連情報

- 装置のインストールガイドとユーザーマニュアルは、axis.comで入手可能です。
- ご使用の装置の更新されたファームウェアバージョンがリリースされているかどうかを確認するには、axis.com/supportをご覧ください。
- 役に立つトレーニング、webセミナー、チュートリアル、ガイドについては、axis.com/academyをご覧ください。

オプションアクセサリ

本製品で利用可能なすべてのアクセサリについては、axis.comで本製品のページを開いて「ソフトウェア&アクセサリ」を参照してください。

保証情報

Axisの製品保証と関連情報については、axis.com/warrantyを参照してください。

仕様

SDカードスロット

▲注意

⚠ 損傷の危険があります。可動部分。動作中は、体を製品に近づけないでください。製品の設置やメンテナンスを行う前には電源を切ってください。

▲注意

⚠ 損傷の危険があります。表面が熱くなります。動作中は、本製品に触れないでください。製品のメンテナンスを実行する前には電源を切り、表面が冷えるまで待ってください。

注意

- SDカード損傷の危険があります。SDカードの挿入と取り外しの際には、鋭利な工具や金属性の物を使用したり、過剰な力をかけたりしないでください。カードの挿入や取り外しは指で行ってください。
- データ損失や録画データ破損の危険があります。本製品の稼働中はSDカードを取り外さないでください。取り外しの前に、製品のWebページからSDカードをマウント解除してください。

本製品は、SD/SDHC/SDXCカードに対応しています。

推奨するSDカードについては、axis.comを参照してください。

JA

コネクター

ネットワークコネクター

RJ45イーサネットコネクター。

SFPコネクター。

注意

本製品は、シールドネットワークケーブル (STP) または光ファイバーケーブルを使用して接続してください。本製品は、用途に合ったケーブルを使用してネットワークに接続してください。ネットワーク装置がメーカーの指示どおりに設置されていることを確認します。法的要件については、を参照してください。

I/Oコネクター

I/Oコネクターに外部装置を接続し、動体検知、イベントトリガー、アラーム通知などと組み合わせて使用することができます。I/Oコネクターは、0V DC基準点と電力 (DC出力) に加えて、以下のインターフェースを提供します。

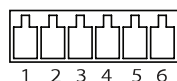
AXIS Q8685-LE PTZ Network Camera

デジタル入力 - 開回路と閉回路の切り替えが可能なデバイス (PIRセンサー、ドア/窓の接触、ガラス破損検知器など) を接続するための入力です。

デジタル出力 - リレーやLEDなどの外部デバイスを接続します。接続された装置は、VAPIX®アプリケーションプログラミングインターフェースを通じたイベントまたは製品のWebページからアクティブにすることができます。

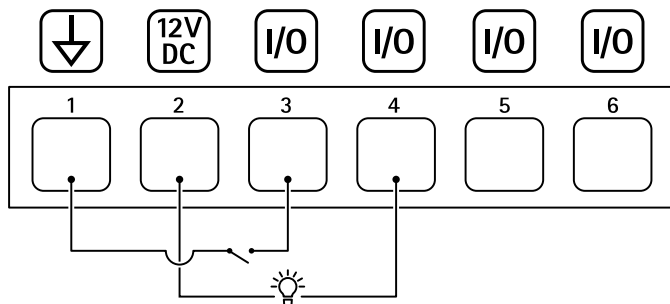
デジタル光センサー - 外部光センサーから周囲の光の強度の値を受信します。これは製品のデイナイト機能の制御で使われます。

設定可能な6ピンターミナルブロック



機能	ピン	備考	仕様
DCグラウンド	1		0 V DC
DC出力	2	補助装置の電源供給に使用できます。 注: このピンは、電源出力としてのみ使用できます。	12 V DC 最大負荷 = 50 mA
設定可能 (入力または出力)	3-6	デジタル入力 - 動作させるにはピン1に接続し、動作させない場合はフロート状態 (未接続) のままにします。	0~30 V DC (最大)
		デジタル出力 - アクティブ時はピン1 (DCグラウンド) に内部接続し、非アクティブ時はフロート状態 (未接続) にします。リレーなど、誘導負荷とともに使用する場合は、過渡電圧から保護するために、ダイオードを負荷と並列に接続します。	0~30 V DC (最大)、オープンドレイン、100 mA

例



- 1 DCグラウンド
- 2 DC出力 12V、最大50 mA
- 3 I/O (入力として設定)
- 4 I/O (出力として設定)
- 5 設定可能I/O
- 6 設定可能I/O

電源コネクタ

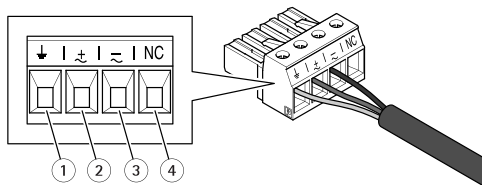
電源入力用4ピンターミナルブロック。

JA

24V AC/DC 電源コネクタ

注意

このセクションは、24V AC/DC電源を使用する製品にのみ有効です。



この表は、24 V ACおよび24 V DC電源コネクタにのみ有効です。

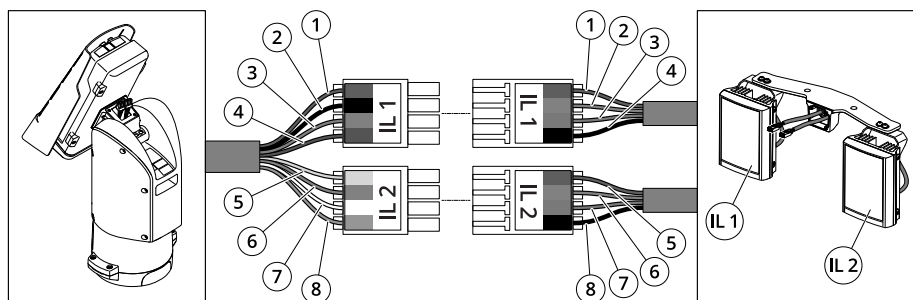
位置	24 V AC	24 V DC
1	保護アース	保護アース
2	24 V ACフェーズ	+ 24 V

AXIS Q8685-LE PTZ Network Camera

この表は、24 V ACおよび24 V DC電源コネクタにのみ有効です。(続く)

位置	24 V AC	24 V DC
3	24 V ACニュートラル	0 V
4	未接続	未接続

イルミネーターコネクタ



	位置	ケーブルの色 (ポジショニングユニット)	ケーブルの色 (イルミネーター)	説明
IL1	1	赤	赤	+24V IL
	2	黒	橙	IL1 +VE
	3	灰	紫	IL1 -VE
	4	青	黒	GND
IL2	5	黄	赤	+24V IL
	6	橙	橙	IL2 +VE
	7	白	紫	IL2 -VE
	8	緑	黒	GND

ケーブル

ケーブルの太さ

本製品に付属のケーブルガasketを使用する際、ケーブルは直径が5～11 mmのものを使用する必要があります。

注意

- 指定のケーブルエリアに収まるケーブルを使用してください
- 地域の規制に適合したケーブルを選択してください
- すべてのケーブル孔が適切に密封されていることを確認してください
- ケーブル孔とケーブルエリアの両方に適合するケーブルガasketまたはケーブルグランドを使用してください

他のケーブルエリアに対応するケーブルガasket、ケーブルグランドなどのアクセサリについては、www.axis.comを参照してください。

動作条件

本製品は屋内および屋外対応モデルです。

JA

温度	湿度
通常: -50 ° C～55 ° C 最高 (断続的): 65 ° C コールドスタート: -40 ° C～55 ° C	10～100% RH (結露不可)

消費電力

通常消費電力	最大消費電力
照明未使用時: 16 W 照明使用時: 64 W	照明未使用時: 204 W 照明使用時: 300 W

重要

22 mのAXISケーブル(24 V DC/24～240 V AC)を使用する場合、ケーブル内の電力損失を相殺するために400 Wを供給可能な電源が必要です。

注意

通常消費電力値は、以下の条件で算出されます。

- 電源ケーブル内の電力損失は考慮しない

AXIS Q8685-LE PTZ Network Camera

- ポジショニングが有効になっていない
- ワイパーモーターが有効になっていない
- 温度は25 ° C (すべてのヒーターを切った状態)
- 最大解像度でのH.264ストリーミング1回
- MJPEGストリームはSDカードに録画
- 50%の時間で赤外線ライトを使用 (照明使用時)

安全信息

危险等级

▲危险

表示如果不避免则会导致死亡或严重伤害的危险情况。

▲警告

表示如果不避免则可能导致死亡或严重伤害的危险情况。

▲警示

表示如果不避免则可能导致轻微或中度伤害的危险情况。

注意

表示如果不避免则可能导致财产损失的情况。

其他消息等级

重要

表示产品正常工作所必需的重要信息。

注

表示有助于充分利用产品的有用信息。

安全说明


⚠ 危险

电击风险。在安装或执行产品维护之前，电缆应断电。


⚠ 警告

Axis 产品应由受过培训的专业人员进行安装，并遵守当地法律和法规。


⚠ 警示

 本产品会发出红外线。可能伤害眼睛。避免目视。使用防护或目视保护。

⚠ 警示

 活动部件。受伤风险。产品工作期间，请保持身体部位远离产品。安装或维护产品时，请断开电源。

⚠ 警示

 灼热的表面。受伤风险。请勿在产品工作期间触摸该产品。执行产品维护时，请断开电源并让表面冷却。

注意

- 使用 Axis 产品时应遵守当地法律和法规。
- 在干燥通风的环境中存放安讯士产品。
- 避免将安讯士产品暴露在冲击或高压环境下。
- 请勿将产品安装在不稳固的立杆、支架、表面或墙壁上。
- 安装安讯士产品时，仅使用适用的工具。使用电动工具过度施力可能导致产品损坏。
- 请勿使用化学品、腐蚀剂或气雾剂。
- 使用蘸纯净水的干净布进行清洁。
- 仅使用符合产品技术规格的附件。这些附件可由安讯士或第三方提供。安讯士推荐使用与产品兼容的安讯士电源设备。
- 仅使用安讯士提供或推荐的备件。
- 请勿尝试自行维修产品。有关服务事项，请联系安讯士支持部门或安讯士经销商。
- 请勿将摄像机镜头对准太阳或其他高强度辐射源，因为这可能会损坏摄像机。
- 使用一根至少为 0.5 平方毫米或 20 AWG 的黄色/绿色接地电缆。

运输

注意

- 安讯士产品运输途中，应使用其原包装或等效包装，以防对产品造成损坏。

电池

安讯士产品使用 3.0 V BR2032 锂电池作为其内部实时时钟 (RTC) 的电源。在正常情况下，此电池将持续至少五年。



警示

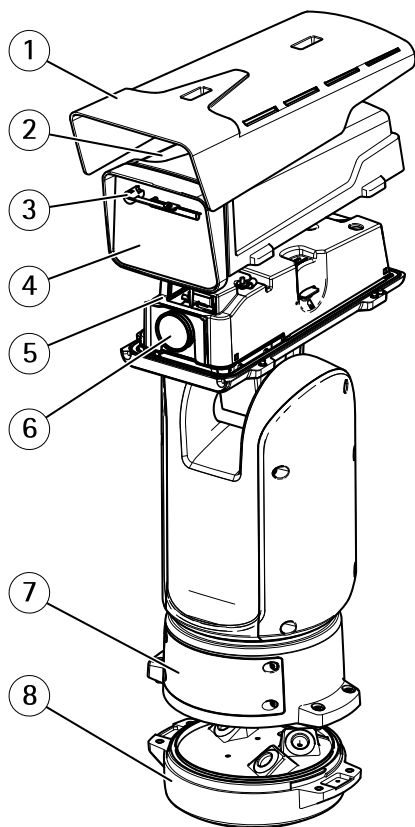
请勿自行更换电池。如果日志消息要求更换电池，请联系安讯士支持部门。

3.0 V 纽扣锂电池内含 1,2-二甲氧基乙烷；乙二醇二甲醚 (EGDME)，CAS 编号为 110-71-4。

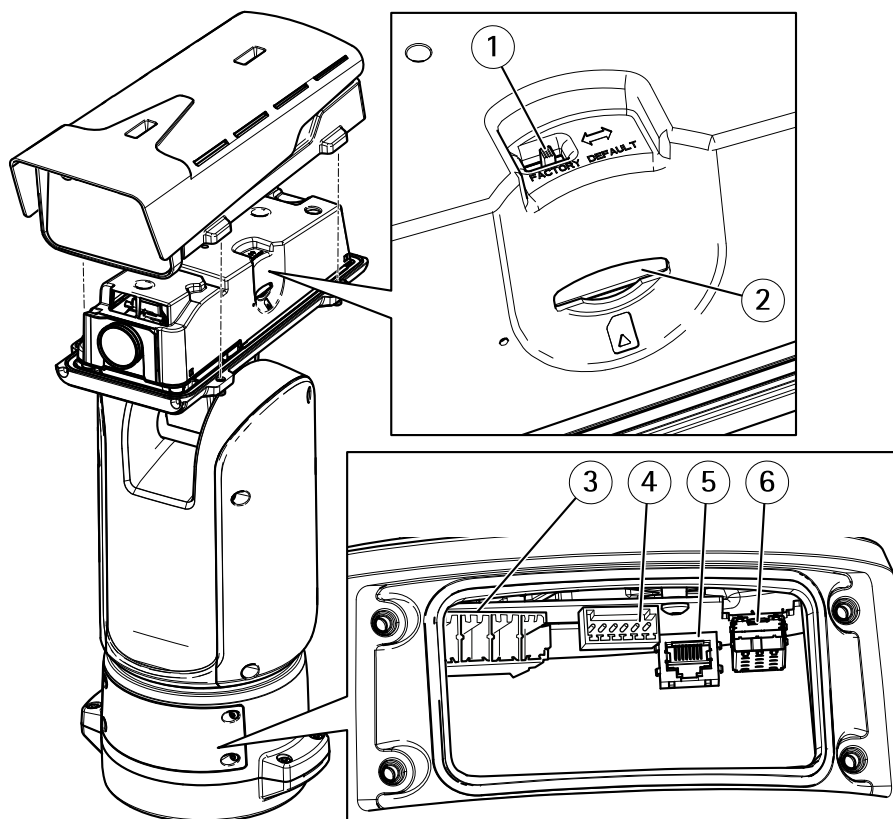
包装内容

- AXIS Q8685-LE PTZ 网络摄像机
- AXIS PT 红外照明器套件 C
- 电源连接器
- I/O 连接器
- Torx® 位 T20 和 T30
- 印刷资料
 - 安装指南（本文档）
 - 额外的序列号标签（2 个）
 - AVHS 身份验证密钥

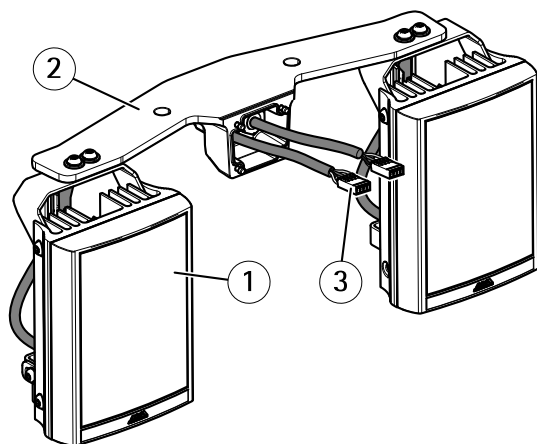
硬件概览



- 1 遮阳板
- 2 顶盖
- 3 雨刷
- 4 前窗口
- 5 内盖
- 6 镜头
- 7 盖
- 8 底座单元



- 1 出厂默认开关
- 2 SD 内存卡插槽
- 3 输入电源连接器
- 4 I/O 连接器
- 5 RJ45 连接器
- 6 SFP 模块的 SFP 插槽 (不包括 SFP 模块)

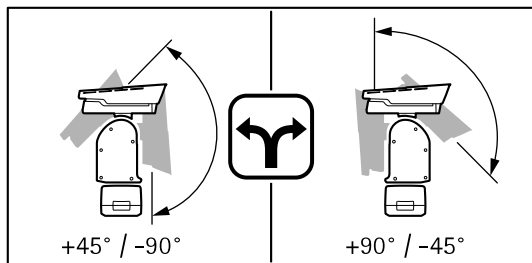


- 1 照明器 (x2)
- 2 照明装置托架
- 3 照明器接口 (x2)

如何安装产品

主要安装任务

1. 安装底座单元 323
2. 布线 325
3. 安装网络链路 330
4. 连接电缆 331
5. 安装照明器套件。按照下面两种安装方法之一进行安装：
 - 安装照明器套件（默认安装） 333
 - 反向安装 339，紧接着按照照明器套件（反射安装） 342
6. 如何访问产品 348
7. 设定反向配置 348
8. 开启照明器套件 349
9. 安装 SD 卡（可选） 350



ZH

⚠ 危险

电击风险。安装产品之前，电缆都应断电。

⚠ 警示

电气连接和导线管安装应由经过认证的电工执行，并遵守当地法规。

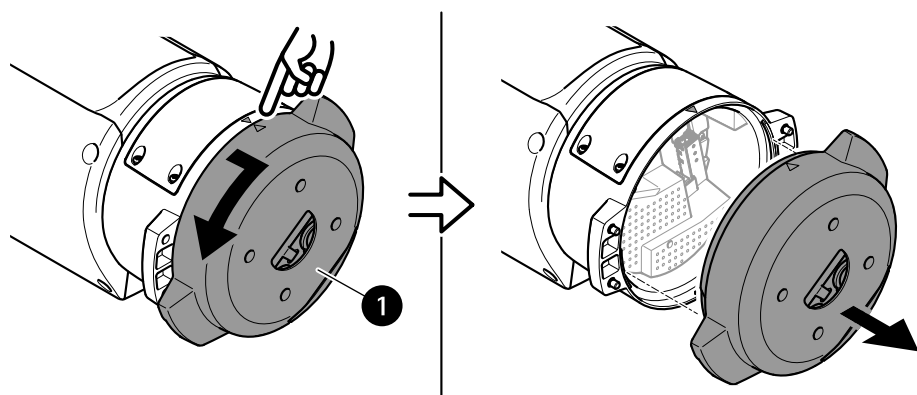
⚠ 警示

⚠ 伤害风险。活动部件。操作期间，请保持身体部位远离产品。安装或维护产品时，请断开电源。

⚠ 警示

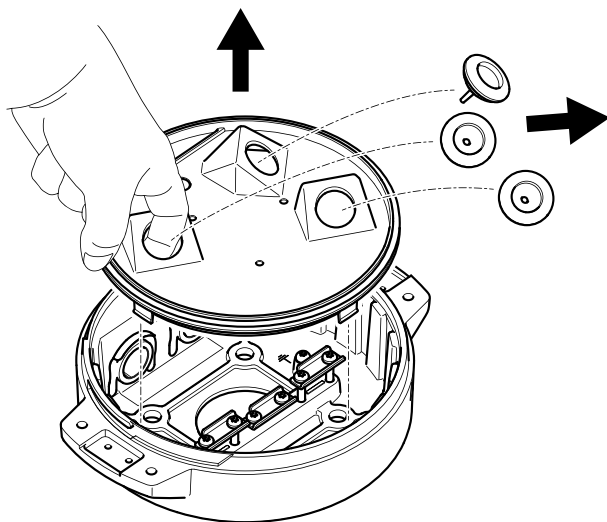
⚠ 伤害风险。灼热的表面。请勿在操作期间触摸该产品。执行产品维护时，请断开电源并让表面冷却。

安装底座单元



1 底座单元

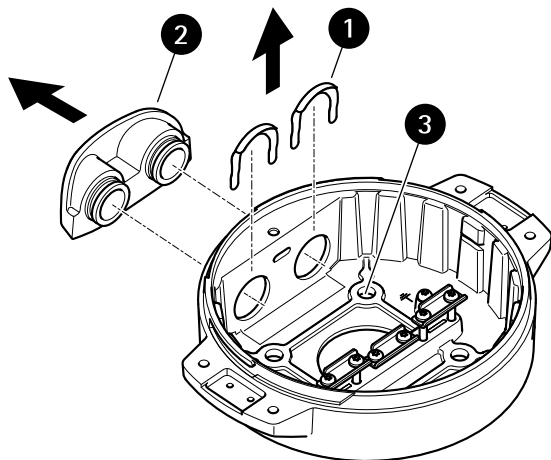
1. 移除四颗底座单元螺丝 (T30)。
2. 同时逆时针拉转底座单元，直到底座单元和定位单元其余部分的箭头对齐。
3. 移除底座单元。



注意

移除透明底座单元盖板时，请勿使用尖锐工具。

4. 移除透明底座单元盖板。



- 1 导线管盖夹
- 2 导线管盖
- 3 螺丝孔 (4 个)

5. 仅适用于导线管安装：取下两个导线管盖夹，然后取下导线管盖。
6. 在四个螺丝孔中使用适当的紧固件将底座单元固定到安装表面。

ZH

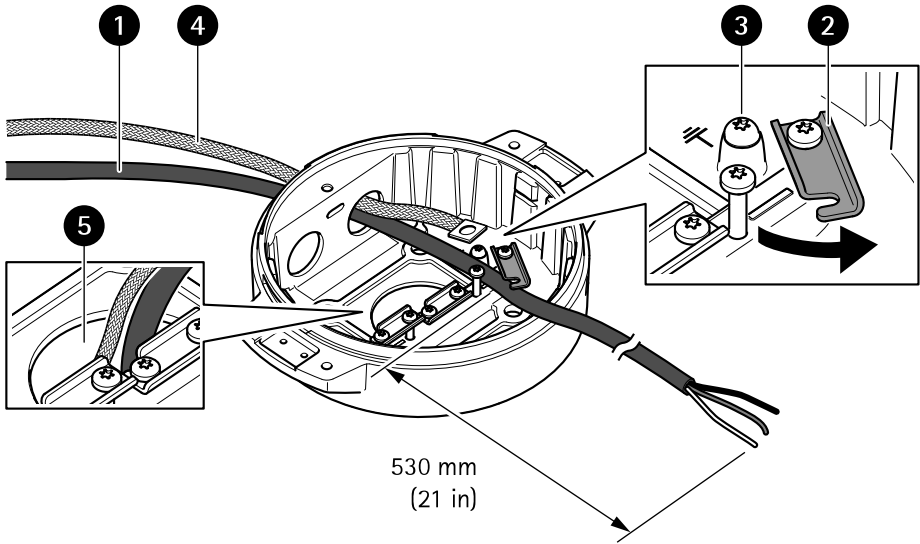
布线

警告

触点危险。本产品应同时使用电源线中的保护接地线和接地编织层进行接地。确保保护接地线和接地编织层的两端与其各自的接地表面接触。

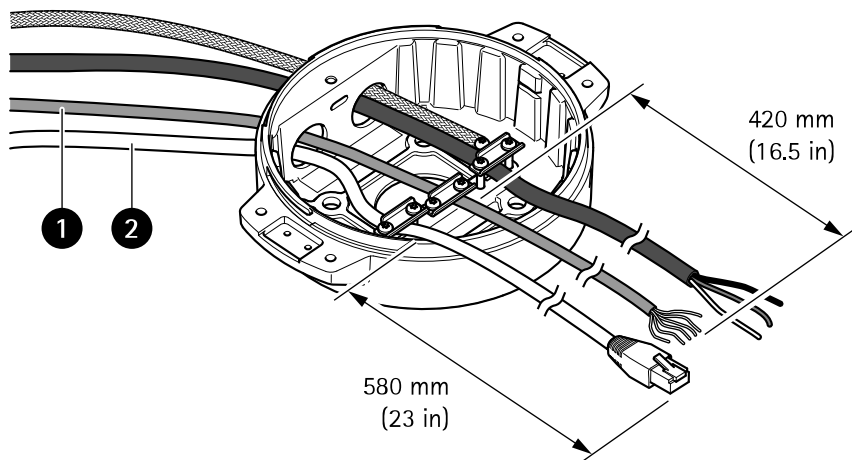
重要

仅使用符合指定电缆区域要求的电缆。有关详细信息，请参见 *电缆厚度 356*。



- 1 电源线 (不包括)
- 2 应力消除器
- 3 接地螺丝
- 4 接地编织层 (不包括)
- 5 底部电缆孔

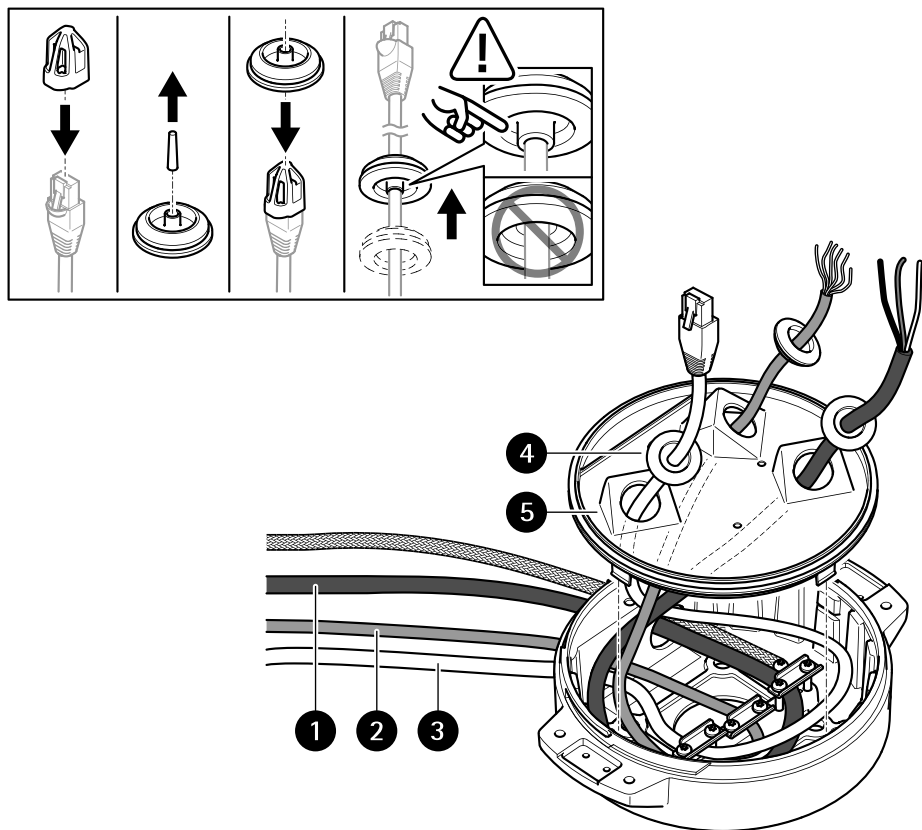
1. 安装可选的导线管适配器 (不包括)。
2. 将接地编织层连接到接地螺丝。
3. 将电源线、I/O 电缆和网络电缆穿过底座单元上的孔 (如上图所示)。或者, 将其穿过底部电缆孔。
4. 将电源线穿过应力消除器, 并保持应力消除器与电缆末端距离为 530 毫米 (21 英寸)。



- 1 I/O 电缆 (可选, 不包括)
- 2 网络电缆 (不包括)

5. 将 I/O 电缆 (可选) 穿过应变消除件, 并使应变消除件至电缆端的距离为 420 毫米 (16.5 英寸)。
6. 将网络电缆 (光纤电缆和/或 RJ45 电缆) 穿过应力消除器, 并保持应力消除器与连接器末端的距离为 580 毫米 (23 英寸)。有关不同网络连接选项的详细信息, 请参见 [安装网络链路 330](#)。
7. 合上并拧紧这三个应力消除器。

ZH



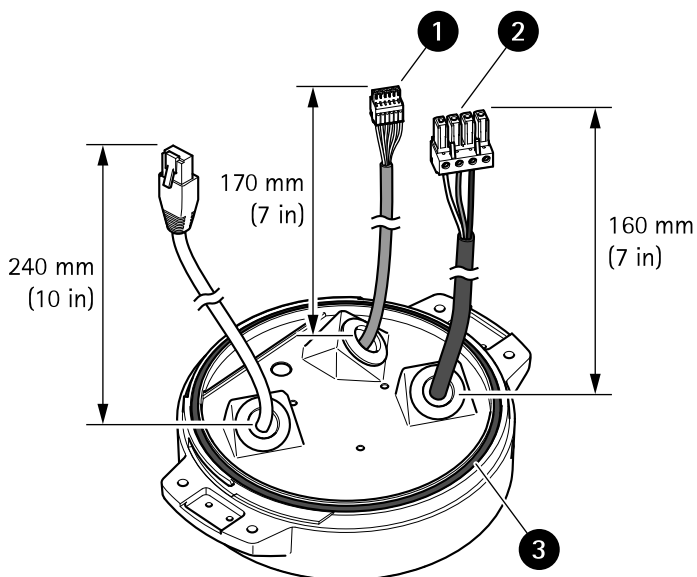
- 1 电源线 (不包括)
- 2 I/O 电缆 (可选, 不包括)
- 3 网络电缆 (不包括)
- 4 电缆垫片
- 5 透明底座单元盖板

8. 将电缆垫片安装到电缆上。请参见 *电缆厚度 356*。
9. 将电源线、I/O 电缆和网络电缆 (包括电缆垫片) 穿过透明底座单元盖板上的孔, 然后按照上图所示进行布线。

注意

如果您同时使用光纤电缆和 RJ45 电缆进行网络连接, 请将光纤电缆与 I/O 电缆穿过同一电缆垫片。在电缆和电缆垫片之间涂抹密封剂以防电缆滑出。有关不同网络连接选项的详细信息, 请参见 *安装网络链路 330*。

10. 将透明底座单元盖板放在底座单元上，并将线缆垫圈安装在孔内。



- 1 I/O 连接器
- 2 电源连接器
- 3 O 形环

注意

为避免电缆被拉扯时单元电源意外断开，保护接地线应该比他两条电线（电源线内）长约 10 毫米（0.4 英寸）。

注

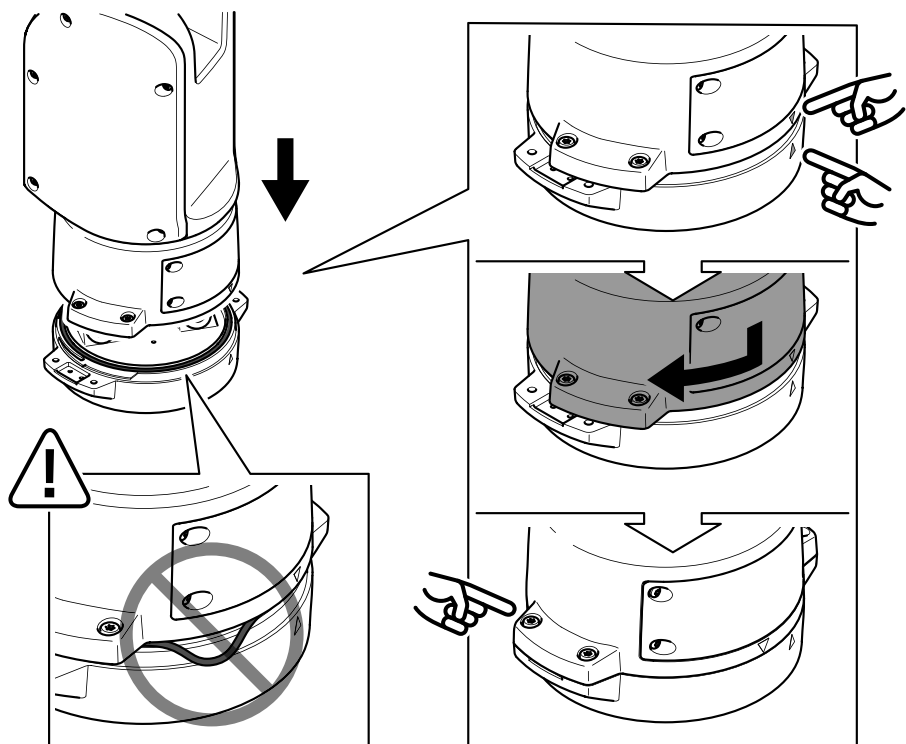
为了让安装尽可能简单，我们建议您将电源线护套剥去约 90 毫米（3.5 英寸），并将 I/O 电缆护套剥去 70 毫米（2.8 英寸）。

11. 安装电源连接器和 I/O 连接器。

12. 调整网络、I/O 和电源线，以使电缆垫片与连接器末端的距离分别为 240 毫米（10 英寸）、170 毫米（7 英寸）及 160 毫米（7 英寸）。

注意

确保 O 型环正确安装在透明底座单元盖板周围。



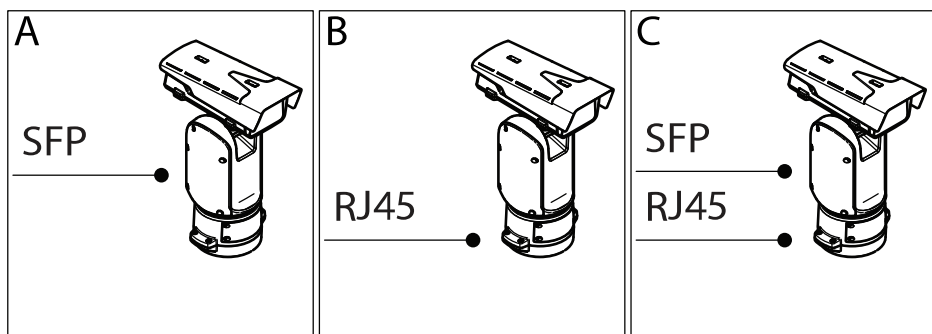
13. 将定位单元放在底座单元上。确保两个单元上的箭头对齐。

14. 按顺时针方向将定位单元转回至其初始位置并拧紧 4 个底座单元螺丝（扭矩 3.0 牛米）。

注意

在安装两个单元时，请确保电缆未被夹扁。

安装网络链路



安装网络链路时，有几个选项可以选择：

- A：通过光纤电缆或与 SFP 插槽中的 SFP 模块（带有相应的连接器）连接的 RJ45 电缆。
- B：通过与固定式 RJ45 连接器连接的 RJ45 电缆。
- C：同时连接上述两种电缆，在此情况下，SFP 模块连接用作主网络链路，固定的 RJ45 连接用作故障转移链路。

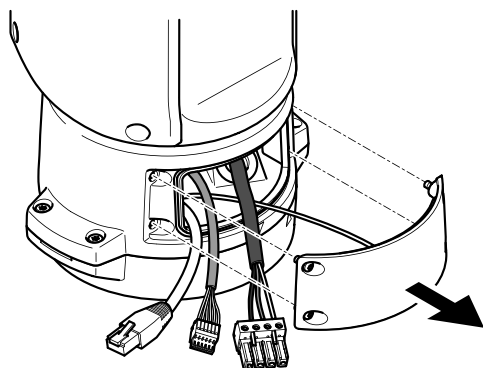
ZH

有关网络连接器位置的详细信息，请参见。

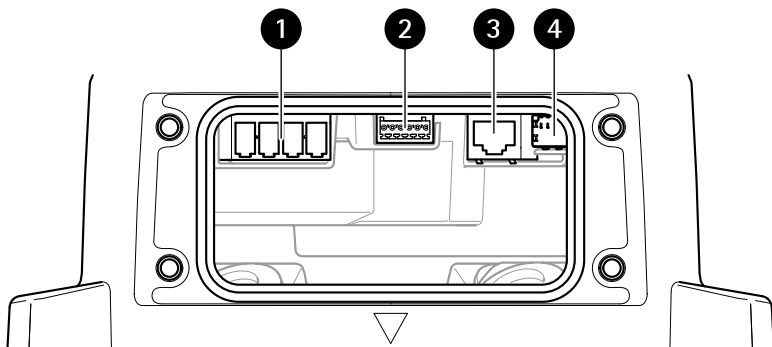
注

- 不包括 SFP 模块。有关可用 SFP 模块的详细信息，请参见 axis.com
- 如果您仅通过使用相应 SFP 模块的光纤电缆安装网络链路，它可以用作远程布线安装的独立解决方案。

连接电缆

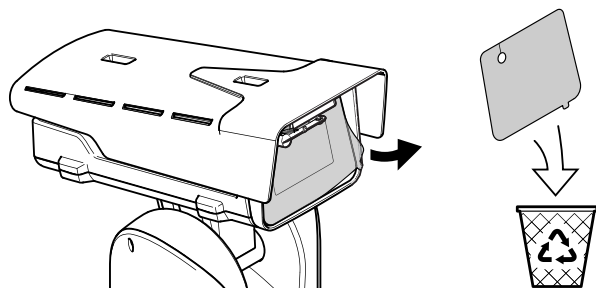


1. 松开四颗盖子螺丝 (T20)，然后取下盖子。



- 1 输入电源连接器
- 2 I/O 连接器
- 3 RJ45 连接器
- 4 SFP 模块的 SFP 插槽 (不包括 SFP 模块)

2. 连接网络 (光纤和/或 RJ45)、I/O 和电源线。有关不同网络连接选项的详细信息，请参见 [安装网络链路 330](#)。
3. 将盖子放回原来位置，拧紧四颗盖子螺丝 (扭矩 3.0 牛米)。



4. 移除保护盖。
5. 接通产品电源。

安装照明器套件（默认安装）

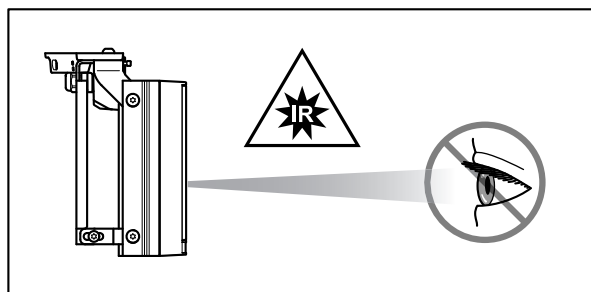
▲警告

触电危险。确保电源已断开。

▲警示

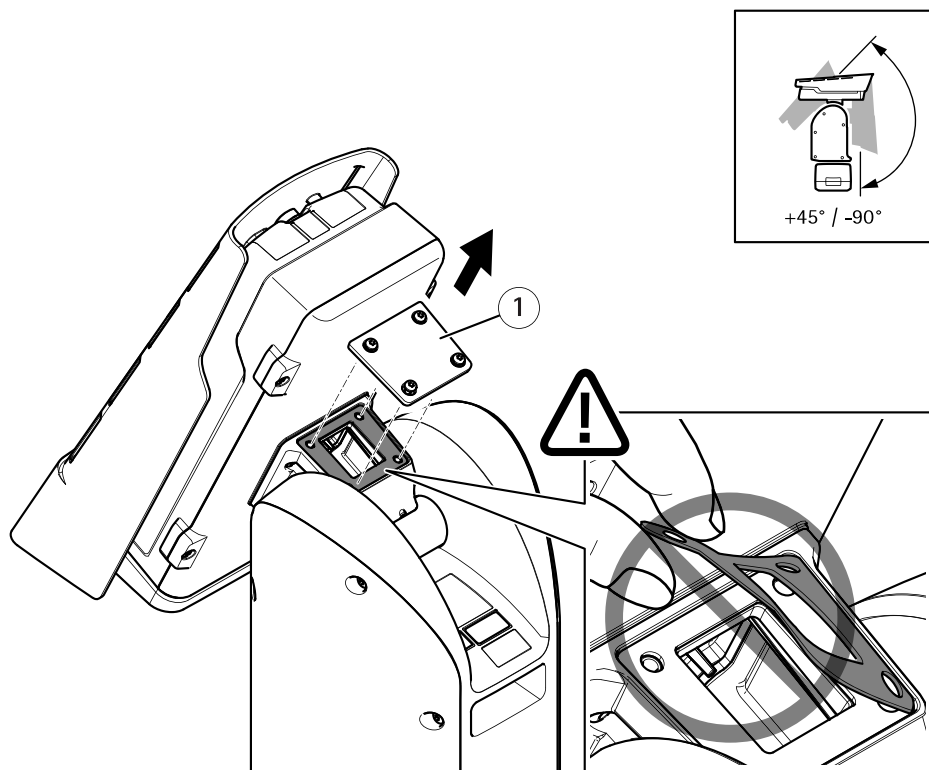
⚠ 本产品会发出红外线。可能伤害眼睛。避免直视。使用防护或目视保护。

ZH



⚠ 警示

在正常运行期间，照明器的表面可达到很高的温度。请勿直接接触，并将设备放置在未经授权的人员无法接近的地方。在触摸之前，请关闭照明器并让其至少冷却 10 分钟。

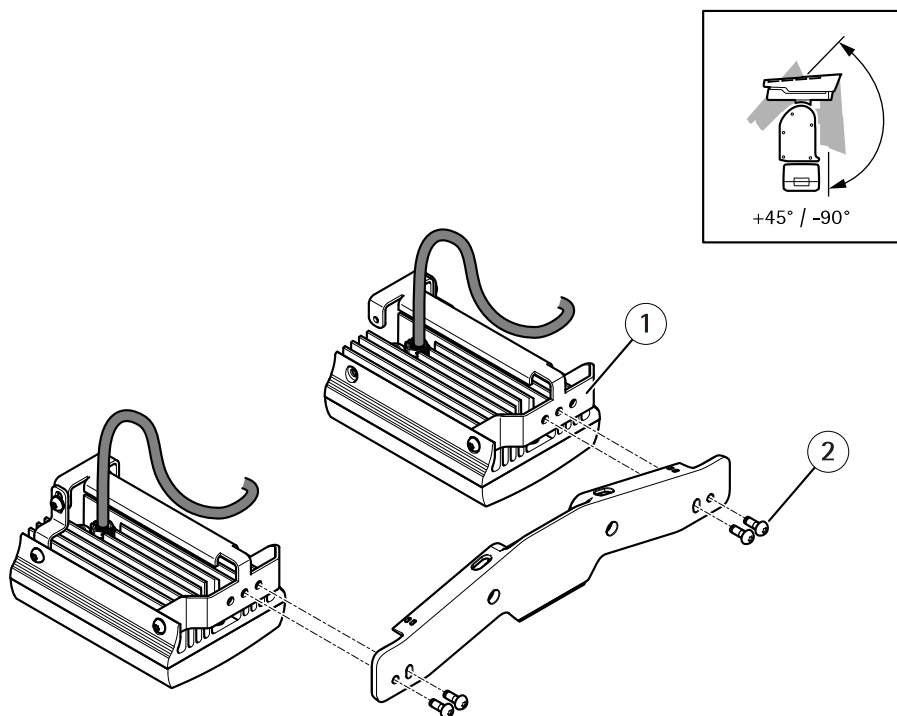


1 机盖

1. 移除四颗机盖螺丝 (T20)，然后取下机盖。

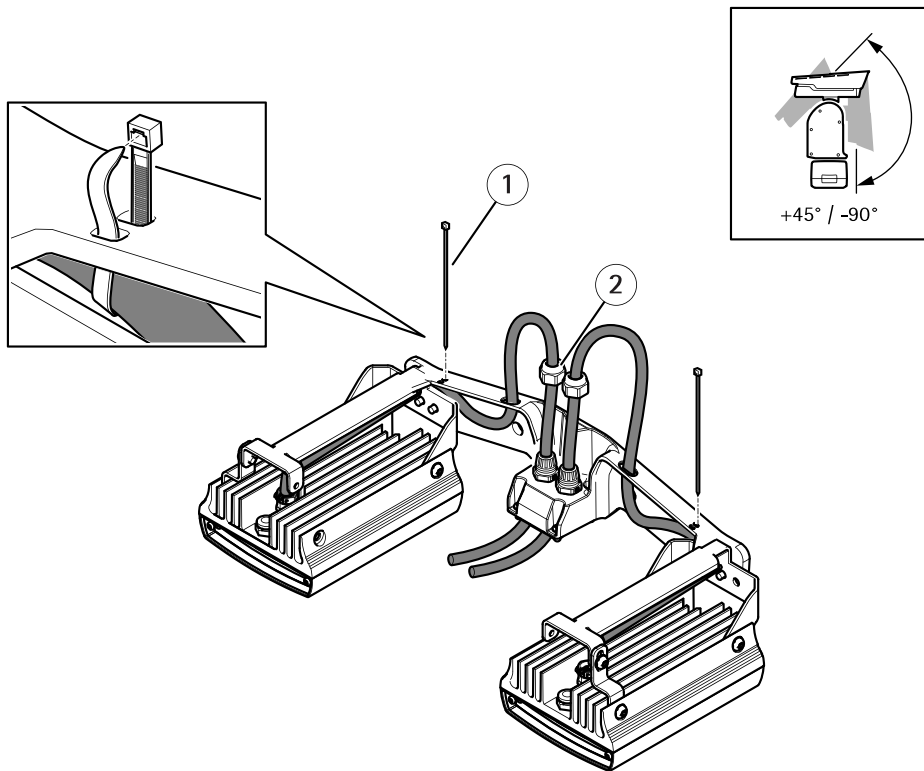
重要

确保机盖下方的垫圈仍保持在原位。



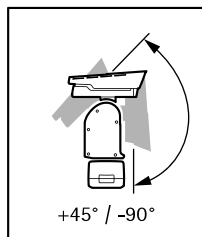
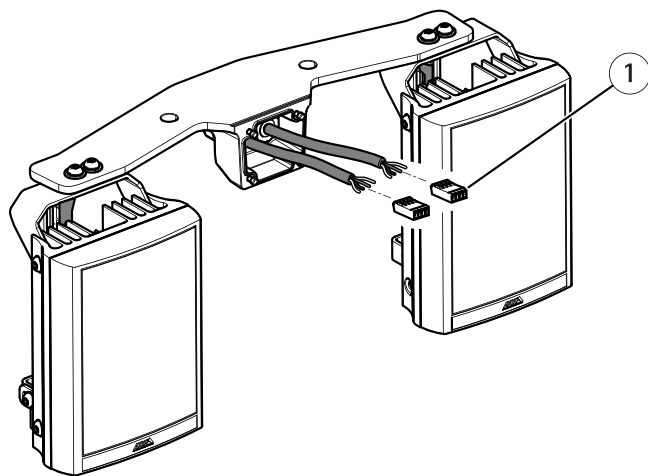
- 1 照明器 (2个)
- 2 螺丝 (M6, 4个)

2. 使用4个螺丝将照明器安装至照明器支架。



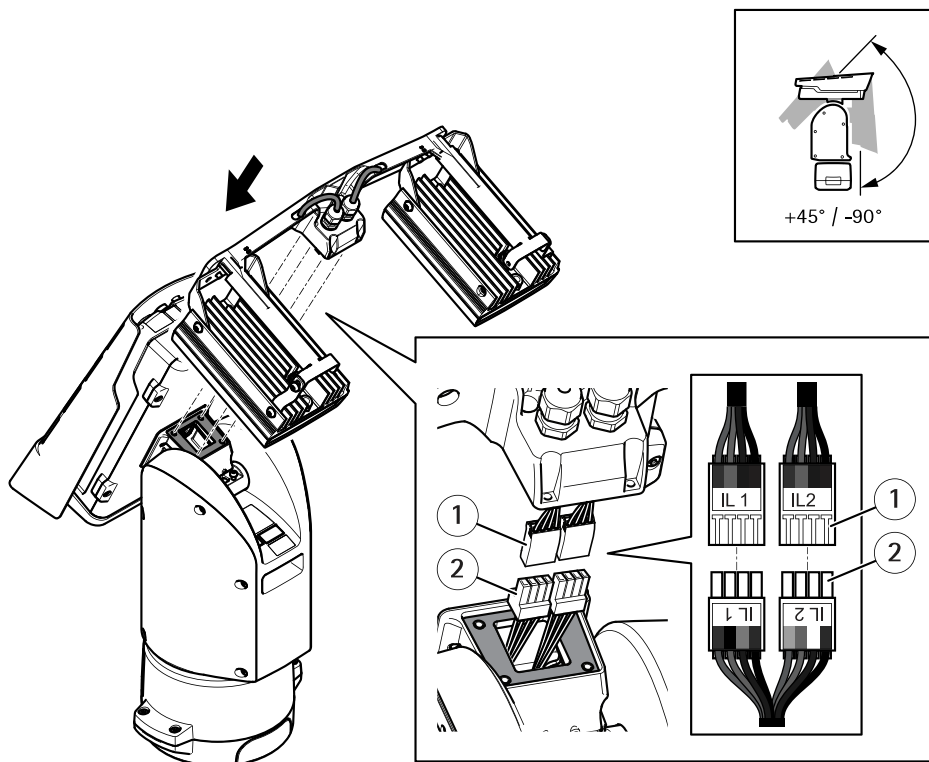
- 1 扎线带 (2 条)
- 2 盖螺母 (2 颗)

3. 如上所示布线并拧紧盖螺母 (扭矩 1.5 牛米)。
4. 使用扎线带将电缆绑在照明器支架上。



1 照明器连接器 (2个)

5. 安装连接器。请参见 [连接器 353](#)。



- 1 照明器连接器 (2个)
- 2 定位单元连接器 (2个)

6. 连接电缆。请参见 [连接器 353](#)。
7. 使用四颗螺丝 (T20, 扭矩 3.0 Nm) 将照明器支架连接到定位单元。

注

有关操作照明器的更多信息，请参阅 www.axis.com 上的照明器 LED 手册（检查产品标签上的型号）以及兼容安讯士产品的用户手册

反向安装

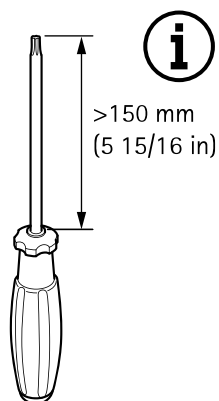
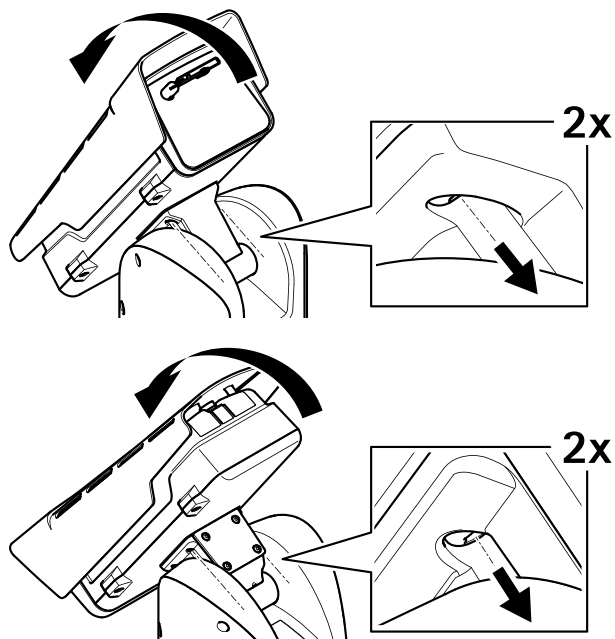
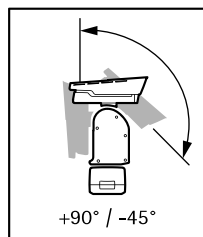
注

如果首选垂直向上转动，请按照此安装方式在反向配置中设定摄像机护罩。

▲ 警示

此安装需要两名人员。

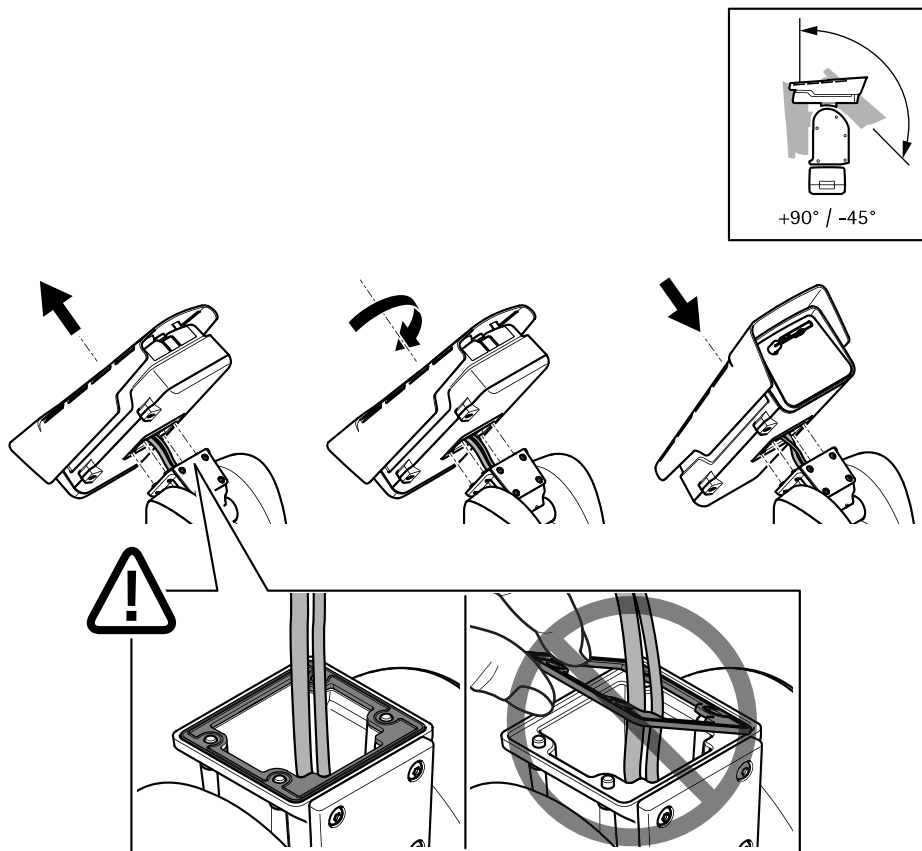
ZH



1. 将底盖向后倾斜到其终端位置，然后拧松定位单元前面两颗带栓螺丝 (T20)。
2. 将底盖向前倾斜到其终端位置，然后拧松定位单元后面两颗带栓螺丝 (T20)。

注意

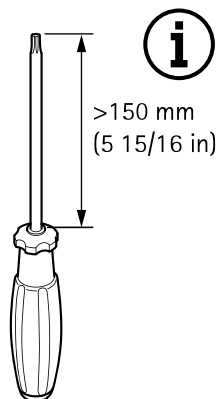
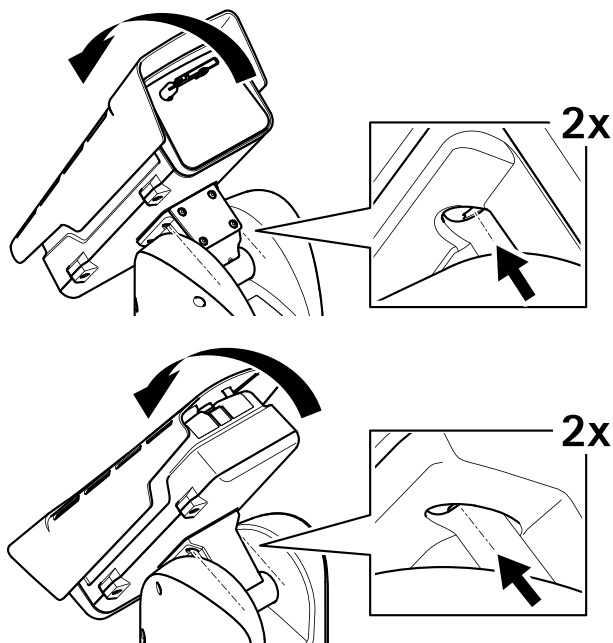
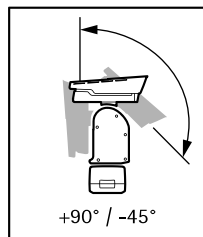
要够到定位单元螺丝，请使用具有足够长刀片的螺丝刀（请见上图）。



3. 提起摄像机单元并转动，将其放到定位单元上合适的反向位置。

重要

确保摄像机单元下方的垫圈仍保持在原位。



4. 将底盖向后倾斜到其终端位置，然后拧紧定位单元前面两颗螺丝（T20，扭矩 3.0 Nm）。
5. 将底盖向前倾斜到其终端位置，然后拧紧定位单元后面两颗螺丝（T20，扭矩 3.0 Nm）。

注意


要够到定位单元螺丝，请使用具有足够长刀片的螺丝刀（请见上图）。

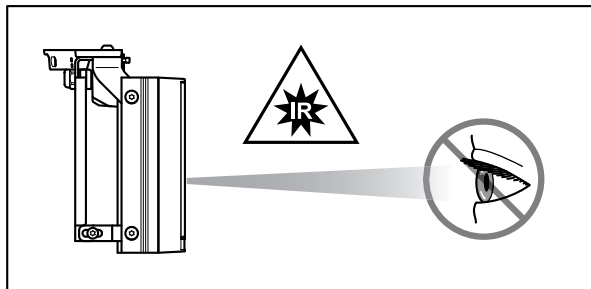
按照照明器套件（反射安装）

警告

触电危险。确保电源已断开。

警示

 本产品会发出红外线。可能伤害眼睛。避免直视。使用防护或目视保护。

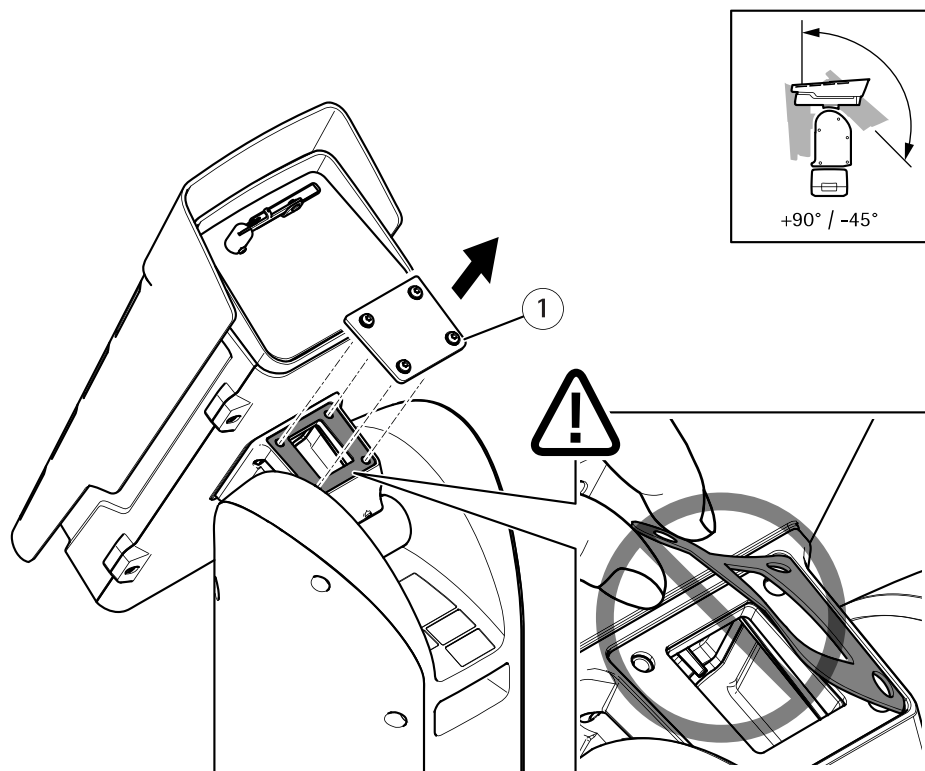


ZH

 **警示**

在正常运行期间，照明器的表面可达到很高的温度。请勿直接接触，并将设备放置在未经授权的人员无法接近的地方。在触摸之前，请关闭照明器并让其至少冷却 10 分钟。

AXIS Q8685-LE PTZ Network Camera

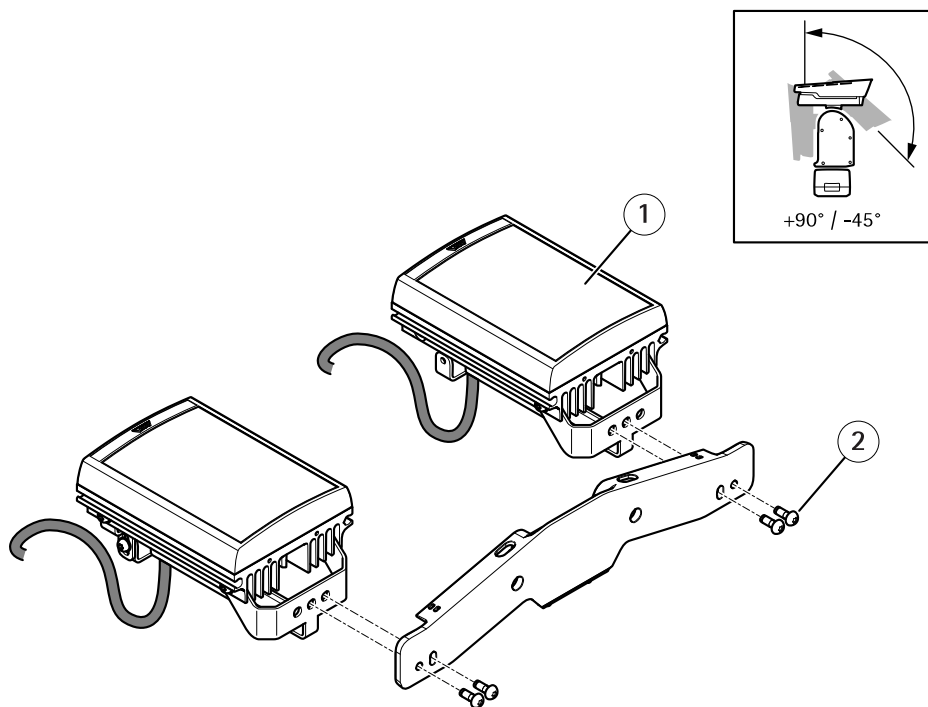


1 机盖

1. 旋松外壳上的 4 个带栓螺丝 (T20)，并拆下外壳。

重要

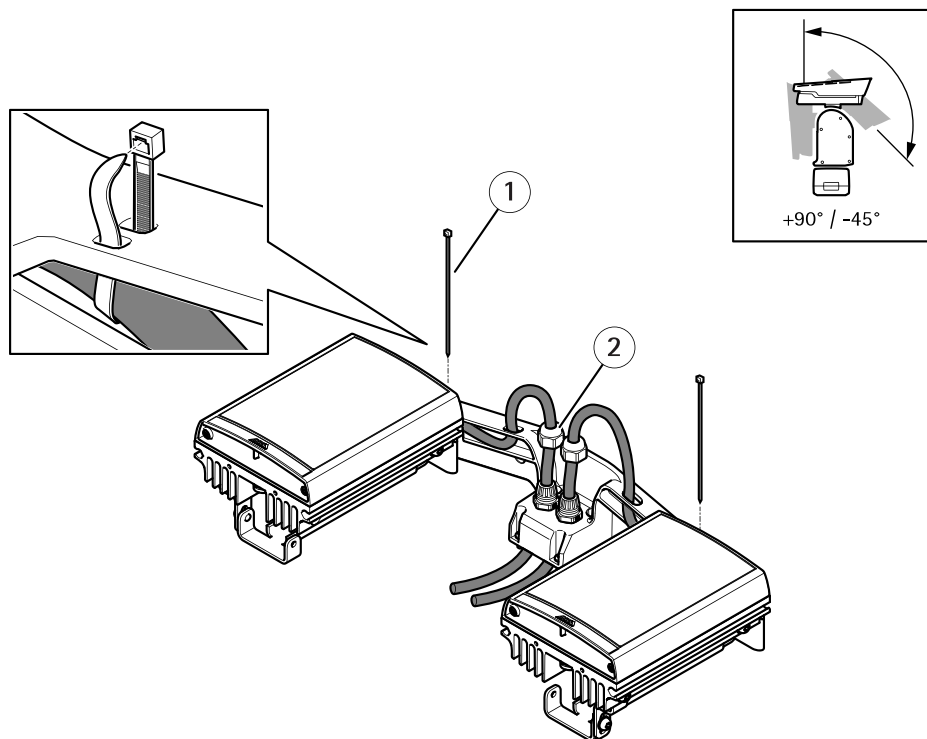
确保机盖下方的垫圈仍保持在原位。



- 1 照明器 (2个)
- 2 螺丝 (M6, 4个)

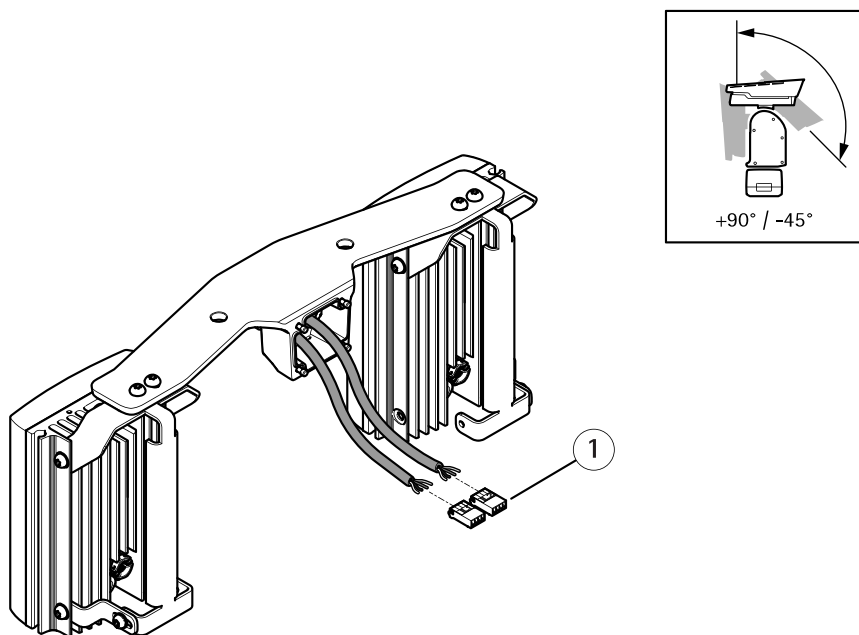
2. 使用 4 个螺丝和垫圈将照明器安装至照明器支架。

AXIS Q8685-LE PTZ Network Camera



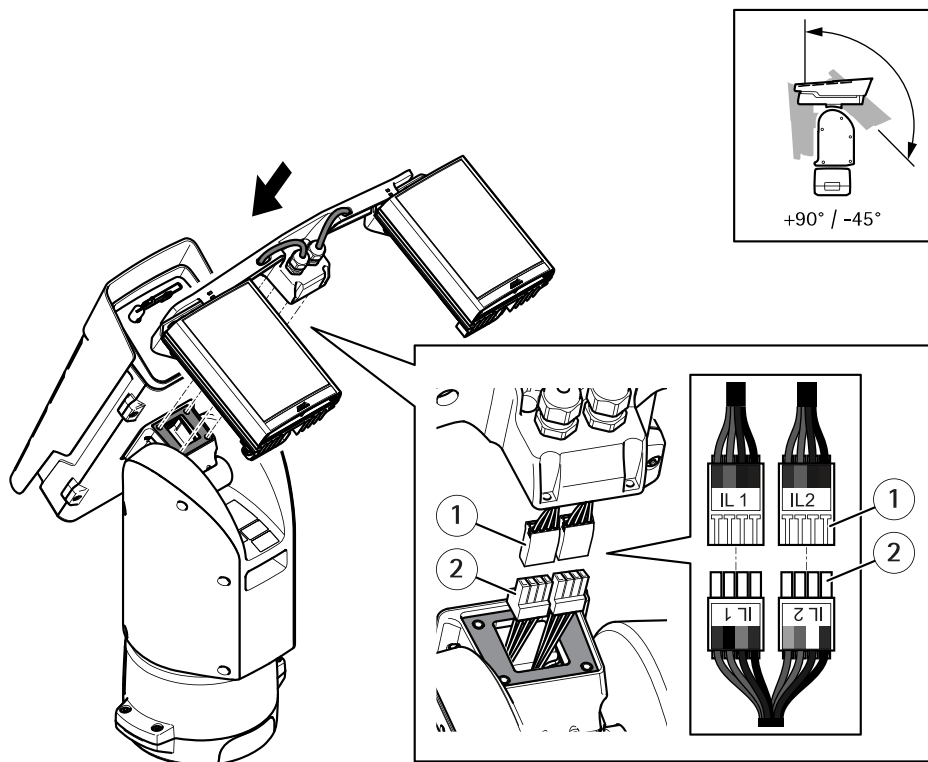
- 1 扎线带 (2 条)
- 2 盖螺母 (2 颗)

3. 如上所示布线并拧紧盖螺母 (扭矩 1.5 Nm)。
4. 使用扎线带将电缆绑在照明器支架上。



1 照明器连接器 (2个)

5. 安装连接器。请参见 [连接器 353](#)。



- 1 照明器连接器 (2个)
- 2 定位单元连接器 (2个)

6. 连接电缆。请参见 [连接器 353](#)。
7. 使用四颗螺丝 (T20, 扭矩 3.0 Nm) 将照明器支架连接到定位单元。

如何访问产品

若要在网络中查找 Axis 设备并为它们分配 Windows® 中的 IP 地址, 请使用 AXIS IP Utility 或 AXIS 设备管理器。这两种应用程序都是免费的, 可以从 axis.com/support 上进行下载

有关使用产品的更多信息, 请参阅 axis.com 上提供的用户手册

设定反向配置

注

此任务仅在使用反向配置时应用。

重要

这些说明仅适用于 **v8.40 以前** 的设备固件。

1. 转到产品网页。
2. 转到 **设置 > 系统选项 > 维护** 并点击 **默认设置**。
3. 等待摄像机重置。
4. 转到产品网页。
5. 转到 **设置 > PTZ > 高级 > 设备 > 视频源 1** 的扩展驱动程序特定设置。
6. 转到 **摄像机护罩配置** 并选择 **反向**。
7. 单击 **保存**。

重要

这些说明仅适用于 **v8.40 或以后** 的设备固件。

1. 转到产品网页。
2. 转到 **设置 > 系统 > 维护** 并单击 **默认设置**。
3. 等待摄像机重置。
4. 转到产品网页。
5. 转到 **设置 > 系统 > 普通配置 > PTZ**。
6. 转到 **摄像机护罩配置** 并选择 **反向**。
7. 单击 **保存**。

开启照明器套件

重要

这些说明仅适用于 **v8.40 以前** 的设备固件。

1. 转到产品网页。
2. 转到 **设置 > PTZ > 高级 > 设备 > 视频源 1** 的扩展驱动程序特定设置。
3. 对于 **照明器 > IL1 型**:
 - 如果您连接了红外照明器，选择 **红外**
 - 为白光照明器选择 **白色**
4. 对 **照明器 > IL2 型** 重复上述步骤。

重要

这些说明仅适用于 **v8.40 或以后** 的设备固件。

1. 转到产品网页。
2. 转到 **设置 > 系统 > 附件**。

3. 对于**照明器 > IL1 型**:
 - 如果您连接了红外照明器，选择**红外**
 - 为白光照明器选择**白色**
4. 对**照明器 > IL2 型**重复上述步骤。


安装 SD 卡（可选）

标准或大容量 SD 卡（不包括）可用于在产品中本地存储录制内容。安装 SD 卡之前，请参见**规格 353**。


1. 断开产品电源。
2. 移除四颗顶盖螺丝，然后取下顶盖。
3. 将 SD 卡插入 SD 卡插槽，请参见**硬件概览 320**。
4. 更换顶盖，然后拧紧螺丝（扭矩 3.0 Nm）。
5. 重新连接产品电源。

重置为出厂默认设置

⚠ 警示

 伤害风险。活动部件。操作期间，请保持身体部位远离产品。安装或维护产品时，请断开电源。

⚠ 警示

 受伤风险。灼热的表面。请勿在操作期间触摸该产品。执行产品维护时，请断开电源并让表面冷却。

重要

重置为出厂默认值时应谨慎。重置为出厂默认值会将所有设置（包括 IP 地址）重置为出厂默认值。

注

安装和管理软件工具可从 www.axis.com/support/downloads 上的支持页面获取

将产品重置为出厂默认设置：

1. 断开产品电源。
2. 移除四颗顶盖螺丝，然后取下顶盖。
3. 要更改出厂默认开关的位置，请参见 *硬件概览 320*。
4. 更换顶盖，然后拧紧螺丝（扭矩 3.0 Nm）。
5. 重新连接产品电源。

也可通过网页界面将参数重置为出厂默认设置。

更多信息

- 设备的安装指南和用户手册可从 axis.com 获得。
- 要检查是否有设备的更新固件版本，请参见 axis.com/support。
- 如需有用的培训、在线研讨会、教程和指南，请参见 www.axis.com/academy。

可选附件

欲查看本产品可用附件的完整列表，请转到 axis.com 上的产品页并选择“软件和附件”。


质保信息

有关安讯士产品质保的信息及相关信息，请转到 axis.com/warranty。


规格

SD 卡插槽

⚠️ 警示

 受伤风险。活动部件。操作期间，请保持身体部位远离产品。安装或维护产品时，请断开电源。

⚠️ 警示

 受伤风险。灼热的表面。请勿在操作期间触摸该产品。执行产品维护时，请断开电源并让表面冷却。

注意

- 损坏 SD 卡的风险。插入或取出 SD 卡时，请勿使用锋利的工具、金属物体或过大力气。使用手指插入和取出该卡。
- 数据丢失和录制内容损坏的风险。产品正在运行时，请勿取出 SD 卡。在取出 SD 卡之前，请先从产品的网页上卸载 SD 卡。

本产品支持 SD/SDHC/SDXC 卡。

有关 SD 卡的建议，请参见 axis.com。

连接器

网络连接器

RJ45 以太网连接器。

SFP 连接器。

注意

该产品应使用屏蔽网络电缆 (STP) 或光纤电缆进行连接。将产品连接到网络的电缆应用于其特定用途。确保根据制造商的说明安装网络设备。有关法规要求的信息，请参见。

I/O 连接器

使用 I/O 连接器连接外部设备，并结合应用移动侦测、事件触发和报警通知等功能。除 0 V DC 参考点和电源 (DC 输出) 外，I/O 连接器还提供连接至以下模块的接口：

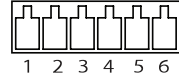
数字输入 – 用于连接可在开路 and 闭路之间切换的设备，例如 PIR 传感器、门/窗磁和玻璃破碎侦测器。

数字输出 – 用于连接继电器和 LED 等外部设备。已连接的设备可由 VAPIX® 应用程序编程接口、通过事件或从产品网页进行激活。

AXIS Q8685-LE PTZ Network Camera

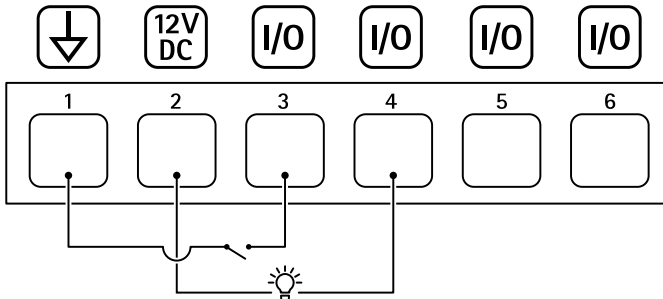
一个**数字光传感器** – 用于接收外部光传感器传输的环境光线强度值。这用于控制产品的日夜转换功能。

6 针可配置接线端子



功能	针脚	注意事项	规格
DC 接地	1		0 V DC
DC 输出	2	可用于为辅助设备供电。 注意：此针脚只能用作电源输出。	12 V DC 最大负载 = 50 mA
可配置（输入或输出）	3-6	数字输入 – 连接至针 1 以启用，或保留浮动状态（断开连接）以停用。	0 至最大 30 V DC
		数字输出 – 启用时内部连接至针 1（DC 接地），停用保留浮动状态（断开连接）。如果与电感负载（如继电器）一起使用，则将二极管与负载并联连接，以防止电压瞬变。	0 至最大 30 V DC， 开漏，100 mA

示例



- 1 DC 接地
- 2 DC 输出 12 V，最大 50 mA
- 3 I/O 配置为输入
- 4 I/O 配置为输出
- 5 可配置的 I/O
- 6 可配置的 I/O

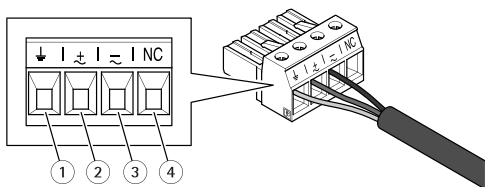
电源连接器

4 针接线端子，用于电源输入。

24 V AC/DC 电源连接器

注意

本部分仅适用于由 24 V AC 和 24 V DC 供电的产品。

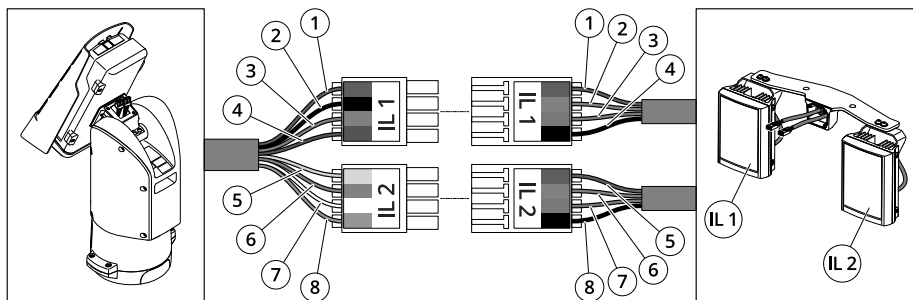


此表仅适用于 24 V AC 和 24 V DC 电源连接器。

位置	24 V AC	24 V DC
1	保护接地	保护接地
2	24 V AC 相	+ 24 V
3	24 V AC 零线	0 V
4	未连接	未连接

ZH

照明器连接器



AXIS Q8685-LE PTZ Network Camera

	位置	电缆颜色 (定位单元)	电缆颜色 (照明器)	描述
IL1	1	红色	红色	+24V IL
	2	黑色	橙色	IL1 +VE
	3	灰色	紫色	IL1 -VE
	4	蓝色	黑色	接地
IL2	5	黄色	红色	+24V IL
	6	橙色	橙色	IL2 +VE
	7	白色	紫色	IL2 -VE
	8	绿色	黑色	接地

电缆

电缆厚度

使用本产品随附的电缆垫片时，电缆直径应在 5 至 11 毫米 (0.2 至 0.4 英寸) 的范围内。

注意

- 使用保持在指定电缆区域内的电缆
- 选择符合当地法规的电缆
- 确保电缆孔都已正确密封
- 使用与电缆孔和电缆区域相匹配的电缆垫圈或电缆套管

有关附件 (如适合其他电缆区域的电缆垫圈和电缆套管) 的信息，请参见 www.axis.com

工作条件

本安讯士产品适用于室内和室外使用。

温度	湿度
正常： -50° C 到 55° C (-58° F 到 131° F) 最高温度 (间歇)： 65° C (149° F) 冷启动： -40° C 到 55° C (-40° F 到 131° F)	10–100% RH (非冷凝)

功耗

标准功耗	最大功耗
无照明： 16 W 带照明： 64 W	无照明： 204 W 带照明： 300 W

重要

使用 22 米 (72 英尺) 安讯士电缆 24 V DC/24–240 V AC 时，需要能够供应 400 W 的电源来补偿电缆中的功率损耗。

注意

标准功耗值基于以下因素：

- 忽略电源线中的损耗
- 没有运行的定位单元
- 没有运行的雨刷电机
- 温度为 25° C/77° F (关闭加热器)
- 具有最大分辨率的一个 H.264 流
- 录制到 SD 卡的 MJPEG 流
- 红外线灯在 50% 的时间开启 (带照明)

Installation Guide

AXIS Q8685-LE PTZ Network Camera

© 2018 - 2022 Axis Communications AB

Ver. M8.3

Date: December 2022

Part No. 2134310