

# VB-H751LE (H2)

High-specification wide-angle IR bullet camera ideal for use in extreme temperatures and zero-light conditions.

Featuring full HD image capture, extensive weather resistance, on-board analytics, stunning low-light imaging and Hydrophilic Coating II.



- 1/3" CMOS sensor for Full HD imaging and outstanding low-light performance
- Built-in infrared LEDs provides detailed monochrome images up to 30m
- IP66 and NEMA250 Type 4X compliance for protection from harsh environmental conditions
- Hydrophilic Coating II prevents the decrease of visibility during and after rainfall, and resists fouling by sand or dirt.
- Data size reducing and image optimising Motion Adaptive Noise Reduction and Area-specific Data Size Reduction (ADSR) technologies
- Intelligent alarm detection with 8 built-in analytic profiles
- ONVIF® Profile S and Profile G compliance

## Product Range

- VB-H761LVE (H2)
- VB-H760VE (H2)
- **VB-H751LE (H2)**
- VB-M741LE (H2)
- VB-M740E (H2)



# Technical Specifications

# VB-H751LE (H2)

<b>CAMERA</b>	
<b>Image Sensor</b>	1/3 type CMOS (primary colour filter)
<b>Number of Effective Pixels</b>	Approx. 2.1 million pixels
<b>Scanning Method</b>	Progressive
<b>Lens</b>	2.4x optical zoom (4x digital zoom) lens (electric drive)
<b>Focal Length</b>	2.55 (W) - 6.12 mm (T)
<b>F-number</b>	F1.2 (W) - F1.8 (T)
<b>Viewing Angle</b>	<b>For 16:9 aspect ratios:</b> Horizontal: 124.3° (W) - 50.5° (T) Vertical: 66.9° (W) - 28.4° (T) <b>For 4:3 aspect ratios:</b> Horizontal: 90.6° (W) - 37.9° (T) Vertical: 66.9° (W) - 28.4° (T)
<b>Day/Night Switch</b>	Auto / Day Mode / Night Mode
<b>Min. Subject Illumination</b>	Day Mode (colour): 0.035 lux (F1.2, shutter speed 1/30 sec., SSC off, 50IRE)  Night Mode (monochrome): 0 lux / 0.002 lux (F1.2, shutter speed 1/30 sec., when smart shade control is off, 50IRE with IR light on / off)
<b>Focus</b>	Auto / One-shot AF / Manual / Fixed at infinity
<b>Shooting Distance (from front of lens)</b>	Day Mode: 0.3 m (12 in.) - infinity Night Mode: 0.3 m (12 in.) - infinity
<b>Shutter Speed</b>	1, 1/2, 1/4, 1/8, 1/15, 1/30, 1/50, 1/60, 1/100, 1/120, 1/250, 1/500, 1/1000, 1/2000, 1/4000, 1/8000, 1/10000, 1/16000 sec.
<b>Exposure</b>	Auto / Auto (Flickerless) / Auto (Shutter-priority AE) / Auto (Aperture-priority AE) / Manual (Shutter Speed, Aperture, Gain)
<b>White Balance</b>	Auto / Light Source / Manual Light Source: Daylight Fluorescent / White Fluorescent / Warm Fluorescent / Mercury Lamp / Sodium Lamp / Halogen Lamp Manual: One-shot WB / R Gain / B Gain
<b>Metering Mode</b>	Center-Weighted / Average / Spot
<b>Exposure Compensation</b>	9 levels
<b>Smart Shade Control</b>	Auto / Manual / Disable Auto: 3 levels Manual: 7 levels - Brightens shaded areas of a video
<b>Haze Compensation</b>	Auto / Manual / Disable Auto: 3 levels Manual: 7 levels
<b>AGC Limit</b>	6 levels
<b>Image Stabilizer</b>	2 levels (digital)
<b>Motion-Adaptive NR (Noise Reduction)</b>	Available
<b>IR Illumination Range</b>	30 m (98.4 ft.) (When using 24 V AC, PoE+)
<b>Pan Angle Range</b>	344° (-217°-+127°)
<b>Tilt Angle Range</b>	93° (-3° - +90°) - Camera is at 0° when attached to the ceiling and facing straight down, and 90° when at a horizontal position
<b>Rotation Angle Range</b>	344° (±172°)
<b>SERVER</b>	
<b>Video Compression Method</b>	JPEG, H.264
<b>Video Size</b>	JPEG, H.264: 1920 x 1080, 960 x 540, 480 x 270 1280 x 720, 640 x 360, 320 x 180 1280 x 960, 640 x 480, 320 x 240
<b>Video Quality</b>	JPEG, H.264: 10 levels
<b>Frame Rate</b>	JPEG: 0.1 - 30 fps H.264: 1/2/3/5/6/10/15/30 fps  - Values represent streaming performance from the camera. - The frame rate may be reduced due to Viewer computer's specs, the number of clients accessing at the same time, network loads, video quality setting, type or movement of the subject or other reasons.  Maximum frame rate when used in the following combinations: When streaming H.264(1) (1920 x 1080) and H.264(2) (all sizes) simultaneously: 15 fps When streaming H.264(1) (all sizes) and H.264(2) (1920 x 1080) simultaneously: 15 fps When streaming H.264(1) (1280 x 960) and H.264(2) (1280 x 960) simultaneously: 15 fps When streaming H.264(1) (1280 x 720) and H.264(2) (1280 x 720) simultaneously: 15 fps
<b>I-Frame Interval</b>	0.5/1/1.5/2/3/4/5 sec.
<b>Simultaneous Client Access</b>	Max. 30 Clients + 1 Admin Client - H.264: Max. 10 Clients
<b>Bit Rate Control</b>	Target Bit Rate: 64/128/256/384/512/768/1024/1536/2048/3072/4096/6144/8192/10240/12288/14336/16384 kbps
<b>ADSR: Area-specific Data Size Reduction</b>	Number of Specified Areas: Max. 8 areas Data Size Reduction Level: 3 levels
<b>Security</b>	Camera Control: Administrator, Authorized user, Guest user (level of control varies depending on user) Access Control: User authority (user name and password), Host Access Restrictions (IPv4, IPv6) IEEE802.1X: EAP-MD5, EAP-TLS, EAP-TTLS, EAP-PEAP Encrypted Communications: SSL/TLS, IPsec
<b>Protocol</b>	IPv4, IPv6, TCP/IP, UDP, HTTP, FTP, SNMPv1/v2c/v3 (MIB2), DHCP, DNS, AutoIP, mDNS, ARP, ICMP, POP3, NTP, SMTP, RTP/RTCP, RTSP, SSL/TLS, IPsec, ONVIF, WV-HTTP (Canon proprietary)
<b>Audio Compression Method</b>	G.711 µ-law (64 kbps)

<b>Audio Communication Method</b>	Full-duplex (two-way)/half-duplex - Echo cancellation function compliant RTP, Sound Transfer Protocol by Canon
<b>Audio File Playback</b>	Available (audio files can be played back when an event is triggered by the intelligent function or external device input) - A third-party amplifier speaker is necessary
<b>Privacy Mask</b>	Number of registration: Max. 8 places, Number of mask colours: 1 (select from 9 colours)
<b>Preset</b>	Number of registers: Max. 20 positions (+Home Position) Number of Preset Tour Route: Max. 1
<b>Intelligent Function (Video)</b>	Moving Object Detection, Abandoned Object Detection, Removed Object Detection, Camera Tampering Detection, Passing Detection, and Intrusion Detection Detection Settings: Max. 15 Non-detection Area Settings: Available
<b>Intelligent Function (Audio)</b>	Volume Detection, Scream Detection
<b>Event Trigger Type</b>	External Device Input, Intelligent Function (Video), Intelligent Function (Audio), Timer, Day/Night Switch Number of Linked Events: 2 Linked Event Conditions: OR, AND (whether or not there is a sequence to events)
<b>Image Upload</b>	FTP/HTTP/SMTP (e-mail)
<b>Event Notification</b>	HTTP/SMTP (e-mail)
<b>Log Notification</b>	SMTP (e-mail)
<b>Image Cropping Function</b>	Digital PTZ Cropping sizes: 640 x 360/512 x 288/384 x 216/256 x 144/128 x 72 640 x 480/512 x 384/384 x 288/256 x 192/128 x 96
<b>On-Screen Display</b>	Available German/English/Spanish/French/Italian/Polish/Russian/Turkish/Korean/Chinese (Simplified)/Japanese
<b>Daylight Saving Time</b>	Available
<b>INTERFACE</b>	
<b>Network Terminal</b>	LAN x 1 (RJ45, 100Base-TX (auto/full-duplex/half-duplex))
<b>Audio Input Terminal</b>	Φ3.5 mm (Φ0.14 in.) mini-jack connector (monaural) LINE IN (connect to an amplifier microphone) or MIC IN (connect to a microphone w/o amplifier) - Switch LINE IN/MIC IN in the Setting Page.
<b>Audio Output Terminal (LINE OUT)</b>	Φ 3.5 mm (Φ0.14 in.) mini-jack connector (monaural) LINE OUT (connect to an amplifier speaker)
<b>External Device I/O Terminal</b>	Input x 2, Output x 2
<b>Memory Card</b>	SD Memory Card, SDHC Memory Card, SDXC Memory Card Compatible. Recorded Content: Log, Video (Event, Manual, ONVIF, Timer, Upload) Frame Rate: Max. 1 fps (JPEG) Max. 30 fps (H.264)  - To insure reliability in the recording speed, it is recommended to use CLASS 10 rated products. Even when using CLASS 10 products, reliability cannot be guaranteed during heavy access loads (e.g., when recording and deleting data at the same time).
<b>OTHER</b>	
<b>Operating Environment</b>	Temperature Operating Temperature Range (including direct sun exposure) AC, PoE+: -50°C - +55°C (-58°F - +131°F) DC, PoE: -10°C - +55°C (+14°F - +131°F) Start-up Temperature Range (including direct sun exposure) AC, PoE+: -30°C - +55°C (-22°F - +131°F) DC, PoE: -10°C - +55°C (+14°F - +131°F)  Humidity 5% - 85% (without condensation)
<b>Installation Method</b>	Ceiling mount/Surface mount
<b>Power Supply</b>	PoE: PoE power supply via LAN connector (IEEE802.3at Type1/Type2 compliant) AC Adapter: PA-V18 (100 - 240 V AC) (sold separately) External power source: 24 V AC/12 V DC
<b>Power Consumption</b>	PoE+: Max. approx. 20.1 W*1 PoE: Max. approx. 10.2 W*2 AC Adapter PA-V18: Max. approx. 12.5 W (100 V AC) Max. approx. 12.6 W (240 V AC)  DC: Max. approx. 11.2 W AC: Max. approx. 20.9 W  *1 Class 4 power sourcing equipment (requests 30.0 W) *2 Class 0 power sourcing equipment (requests 15.4 W)
<b>Dimensions</b>	(H x W x D) 111 mm x 102 mm x 214 mm (4.37 x 4.02 x 8.43 in.) (camera body only) - Length when joint fully extended (D): 402 mm (15.83 in.)
<b>Weight</b>	Approx. 2550 g (5.63 lb.)
<b>Weather Shield</b>	Approx. 90 g (3.2 oz.)
<b>Dust-resistant/Waterproof Specification</b>	IP66
<b>Hydrophilic Coating II</b>	Available

# VB-H751LE (H2)

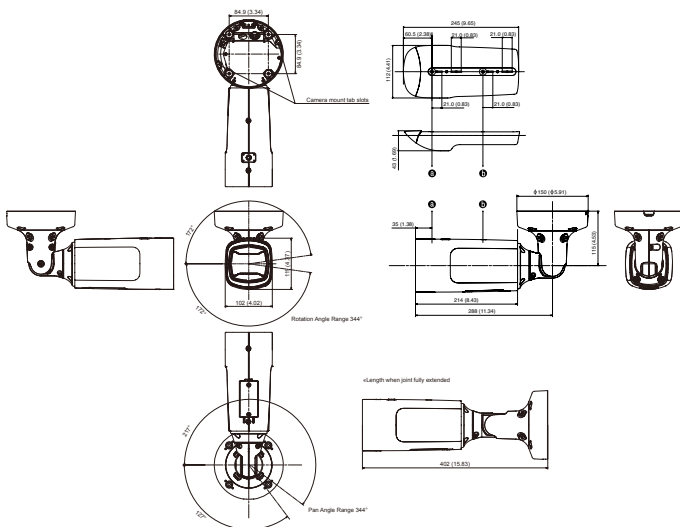
## Technical Specifications

<b>International Standard</b>	EN55032 Class A, FCC part15 subpart B Class A, ICES-003 Class A, VCCI Class A, RCM AS/NZS EN55032 Class A, CNS13438 Class A, KN32 Class A, EN55024, KN35, EN50581, CNS15663, EN62471 IEC/UL/EN 60950-1, IEC/UL/EN 60950-1/-22, EN50130-4, IEC/UL/EN 60529 IP66, NEMA 250 Type 4X
<b>APPLICATION</b>	
<b>Viewer</b>	Camera Viewer - Supports Video Display Rotation Mobile Camera Viewer
<b>Camera software</b>	Camera Management Tool Recorded Video Utility
<b>Language</b>	German/English/Spanish/French/Italian/Polish/Russian/Turkish/Thai/Korean/Chinese (Simplified)/Japanese
<b>OPERATING SYSTEM/COMPATIBLE BROWSER</b>	Windows 7, Internet Explorer 11/Chrome 65 Windows 8.1, Internet Explorer 11/Chrome 65 Windows 10, Internet Explorer 11/Microsoft Edge/Chrome 65 Windows Server 2008, Internet Explorer 9 Windows Server 2008 R2, Internet Explorer 11/Chrome 65 Windows Server 2012, Internet Explorer 10/Chrome 65 Windows Server 2012 R2, Internet Explorer 11/Chrome 65 Windows Server 2016, Internet Explorer 11/Chrome 65
<b>Verified Mobile Devices</b>	Surface, iPad, iPhone, Nexus, Galaxy

### What's in the box?

- VB-H751LE (H2) Main Unit
- Weather Shield
- Before Using this Camera
- EAC-Supported Guide
- Safety Wire
- Safety Wire Fixing Screw
- Ceiling Plate
- Ceiling Plate Fixing Screw \*4
- Wrench
- Template
- Multi Cable with Waterproof Rubber Seal (IO/Audio/Power)
- Waterproofing Tape
- LAN Cable Cap
- Waterproof Rubber Seal for LAN Cable
- Zip Tie
- Packing Attachment
- GND Screw
- Installation Guide
- Safety Precautions
- Warranty Card

### Dimensions



All dimensions are in mm (in.)

### Compatible Accessories



**CB740-VB**  
Conduit Box



**PC640-VB**  
Pendant Mounting Kit



**PA-V18**  
AC Power Supply  
\*Available in Euro 2-Pin  
& UK 3-Pin plug

# VB-H751LE (H2)

High-specification wide-angle IR bullet camera ideal for use in extreme temperatures and zero-light conditions.

Featuring full HD image capture, extensive weather resistance, on-board analytics, stunning low-light imaging and Hydrophilic Coating II.



Sales Start Date: October 2019

#### Product Details:

Product Name	Mercury Code	EAN Code
Network Camera VB-H751LE (H2)	3748C001AA	4549292149104

#### Optional Accessories:

Product Name	Mercury Code	EAN Code
Pendant Mounting Kit PC640-VB	0719C001AA	4549292043532
Conduit Box CB740-VB	0712C001AA	4549292043464
AC Adapter PA-V18 (E)	8362B002AA	4960999986791
AC Adapter PA-V18 (GB)	8362B003AA	4960999986319

#### Measurement / Logistic Information:

Product Name	Mercury code	Pack type	Pack description	Quantity per pack	Length (mm)	Width (mm)	Height (mm)	Net Weight (kg)	Gross Weight (kg)
Network Camera VB-H751LE (H2)	3748C001AA	EA	Each	1	238	468	289	2.6	4.1
		CT	Carton	2	488	600	274	5.1	9.6
		EP	Euro Pallet	—	—	—	—	—	—