

# **AXIS Q3517-SLVE Network Camera**

## **Installation Guide**



English

EN

France: Français

FR

Deutschland: Deutsch

DE

Italia: Italiano

IT

España: Español

ES

日本: 日本語

JA

中文: 简体中文

ZH

## Read this first

Read through this Installation Guide carefully before installing the product. Keep the Installation Guide for future reference.

## Legal considerations

Video and audio surveillance can be regulated by laws that vary from country to country. Check the laws in your local region before using this product for surveillance purposes.

This product includes the following licences:

- one (1) AAC decoder license
- one (1) H.264 decoder license

To purchase further licenses, contact your reseller.

## Liability

Every care has been taken in the preparation of this document. Please inform your local Axis office of any inaccuracies or omissions. Axis Communications AB cannot be held responsible for any technical or typographical errors and reserves the right to make changes to the product and manuals without prior notice. Axis Communications AB makes no warranty of any kind with regard to the material contained within this document, including, but not limited to, the implied warranties of merchantability and fitness for a particular purpose. Axis Communications AB shall not be liable nor responsible for incidental or consequential damages in connection with the furnishing, performance or use of this material. This product is only to be used for its intended purpose.

## Intellectual property rights

Axis AB has intellectual property rights relating to technology embodied in the product described in this document. In particular, and without limitation, these intellectual property rights may include one or more of the patents listed at [axis.com/patent](http://axis.com/patent) and one or more additional patents or pending patent applications in the US and other countries.

This product contains licensed third-party software. See the menu item "About" in the product's user interface for more information.

This product contains source code copyright Apple Computer, Inc., under the terms of Apple Public Source License 2.0 (see [opensource.apple.com/apsl](http://opensource.apple.com/apsl)). The source code is available from [developer.apple.com/bonjour/](http://developer.apple.com/bonjour/).

## Equipment modifications

This equipment must be installed and used in strict accordance with the instructions given in the user documentation. This equipment contains no user-serviceable components. Unauthorized equipment changes or modifications will invalidate all applicable regulatory certifications and approvals.

## Trademark acknowledgements

AXIS COMMUNICATIONS, AXIS, ARTPEC and VAPIX are registered trademarks of Axis AB in various jurisdictions. All other trademarks are the property of their respective owners.

Apple, Apache, Bonjour, Ethernet, Internet Explorer, Linux, Microsoft, Mozilla, Real, SMPTE, QuickTime, UNIX, Windows, and WWW are registered trademarks of the respective holders. Java and all Java-based trademarks and logos are trademarks or registered

trademarks of Oracle and/or its affiliates. The UPnP Word Mark and UPnP Logo are trademarks of Open Connectivity Foundation, Inc. in the United States or other countries.



microSD, microSDHC, and microSDXC Logos are trademarks of SD-3C LLC. microSD, microSDHC, microSDXC are trademarks or registered trademarks of SD-3C, LLC in the United States, other countries or both.

## Regulatory information

### Europe



This product complies with the applicable CE marking directives and harmonized standards:

- Electromagnetic Compatibility (EMC) Directive 2014/30/EU. See *Electromagnetic compatibility (EMC) on page 4*.
- Low Voltage Directive (LVD) 2014/35/EU. See *Safety on page 5*.
- Restriction of Hazardous Substances (RoHS) Directive 2011/65/EU and 2015/863, including any amendments, updates or replacements. See *Disposal and recycling on page 5*.

A copy of the original declaration of conformity may be obtained from Axis Communications AB. See *Contact information on page 6*.

### Electromagnetic compatibility (EMC)

This equipment has been designed and tested to fulfill applicable standards for:

- Radio frequency emission when installed according to the instructions and used in its intended environment.
- Immunity to electrical and electromagnetic phenomena when installed according to the instructions and used in its intended environment.

### USA

This device complies with part 15 of the FCC Rules. Operation is subject to the following two conditions:

1. This device may not cause harmful interference, and
2. this device must accept any interference received, including interference that may cause undesired operation.

This equipment has been tested using a shielded network cable (STP) and found to comply with the limits for a Class A digital device, pursuant to part 15 of the FCC Rules. These limits are designed to provide reasonable protection against harmful interference when the equipment is operated in a commercial environment. This equipment generates, uses, and can radiate radio frequency energy and, if not installed and used in accordance with the instruction manual, may cause harmful interference to radio communications. Operation of this equipment in a residential area is likely to cause harmful interference in which case the user will be required to correct the interference at his own expense. The product shall be connected using a shielded network cable (STP) that is properly grounded.

### Contact information

Axis Communications Inc.  
300 Apollo Drive  
Chelmsford, MA 01824

United States of America  
Tel: +1 978 614 2000

**Canada**

This digital apparatus complies with CAN ICES-3 (Class A). The product shall be connected using a shielded network cable (STP) that is properly grounded. Cet appareil numérique est conforme à la norme CAN NMB-3 (classe A). Le produit doit être connecté à l'aide d'un câble réseau blindé (STP) qui est correctement mis à la terre.

**Europe**

This digital equipment fulfills the requirements for RF emission according to the Class A limit of EN 55032. The product shall be connected using a shielded network cable (STP) that is properly grounded. Notice! This is a Class A product. In a domestic environment this product may cause RF interference, in which case the user may be required to take adequate measures.

**Australia/New Zealand**

This digital equipment fulfills the requirements for RF emission according to the Class A limit of AS/NZS CISPR 32. The product shall be connected using a shielded network cable (STP) that is properly grounded. Notice! This is a Class A product. In a domestic environment this product may cause RF interference, in which case the user may be required to take adequate measures.

**Japan**

この装置は、クラスA機器です。この装置を住宅環境で使用すると電波妨害を引き起こすことがあります。この場合には使用者が適切な対策を講ずるよう要求されることがあります。VCCI-A  
本製品は、シールドネットワークケーブル(STP)を使用して接続してください。また適切に接地してください。  
本製品は電気通信事業者(移動通信会社、固定通信会社、インターネットプロバイダ等)の通信回線(公衆無線LANを含む)に直接接続することができません。本製品をインターネットに接続する場合は、必ずルータ等を経由し接続してください。

**Korea**

이 기기는 업무용 환경에서 사용할 목적으로 적합성평가를 받은 기기로서 가정용 환경에서 사용하는 경우 전파간섭의 우려가 있습니다. 적절히 접지된 STP (shielded twisted pair) 케이블을 사용하여 제품을 연결 하십시오.

**Safety**

This product complies with IEC/EN/UL 62368-1, safety of audio/video and IT equipment, and IEC/EN/UL 60950-22, Safety of Information Technology Equipment.

The product shall be grounded either through a shielded network cable (STP) or other appropriate method.

The power supply used with this product shall have a rated output voltage within voltage range of 8-28 V DC, and a max current rating of 3.5 A.

When used with Power over Ethernet (PoE), the Power Sourcing Equipment (PSE) shall comply with IEEE 802.3af and Limited Power Source (LPS) according to clause 2.5 of IEC/EN/UL 60950-1 or annex Q of IEC/EN/UL 62368-1.

We recommend the use of Axis midspans or Axis PoE switches.

**Photobiological safety**

This product fulfills the requirements for photobiological safety according to IEC/EN 62471 (risk group 1).

**Disposal and recycling**

When this product has reached the end of its useful life, dispose of it according to local laws and regulations. For information about your nearest designated collection point, contact your local authority responsible for waste disposal. In accordance with local legislation, penalties may be applicable for incorrect disposal of this waste.

**Europe**



This symbol means that the product shall not be disposed of together with household or commercial waste. Directive 2012/19/EU on waste electrical and electronic equipment (WEEE) is applicable in the European Union member states. To prevent potential harm to human health and the environment, the product must be disposed of in an approved and environmentally safe recycling process. For information about your nearest designated collection point, contact your local authority responsible for waste disposal. Businesses should contact the product supplier for information about how to dispose of this product correctly.

This product complies with the requirements of Directive 2011/65/EU and 2015/863 on the restriction of the use of certain hazardous substances in electrical and electronic equipment (RoHS).

**China**



This product complies with the requirements of SJ/T 11364-2014, Marking for the restriction of hazardous substances in electrical and electronic products.

有毒有害物质或元素						
部件名称	铅 (Pb)	汞 (Hg)	镉 (Cd)	六价铬 (Cr(VI))	多溴联苯 (PB-B)	多溴二苯醚 (PB-DE)

电气 实装部分	X	0	0	0	0	0
<p>0: 表示该有毒有害物质在该部件均质材料中的含量均在GB/T 26572标准规定的限量要求以下。</p> <p>X: 表示该有毒有害物质至少在该部件的某一均质材料中的含量超出GB/T 26572标准规定的限量要求。</p>						

### Contact information

Axis Communications AB  
 Emdalavägen 14  
 223 69 Lund  
 Sweden

Tel: +46 46 272 18 00

Fax: +46 46 13 61 30

[axis.com](http://axis.com)

### Warranty information

For information about Axis' product warranty and thereto related information, go to [axis.com/warranty](http://axis.com/warranty).

### Support

Should you require any technical assistance, please contact your Axis reseller. If your questions cannot be answered immediately, your reseller will forward your queries through the appropriate channels to ensure a rapid response. If you are connected to the Internet, you can:

- download user documentation and software updates
- find answers to resolved problems in the FAQ database, search by product, category, or phrase
- report problems to Axis support staff by logging in to your private support area
- chat with Axis support staff
- visit Axis Support at [axis.com/support](http://axis.com/support)

### Learn more!

Visit Axis learning center [axis.com/academy](http://axis.com/academy) for useful trainings, webinars, tutorials and guides.

## Package contents

- AXIS Q3517-SLVE Network Camera
- Screw bit TR20
- I/O connector
- DC connector
- Connector guard
- Adhesive gasket
- Extra cable gaskets
  - Cable Gasket M20 5 mm (for cable diameter 5–10 mm)
  - Gasket kit M20 3 mm (for cable diameter 3–5 mm)
- Printed materials
  - Installation Guide (this document)
  - Drill template
  - Extra serial number label (2x)
  - AVHS Authentication key

## Recommended Tools

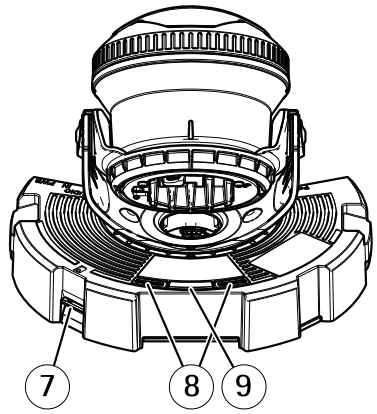
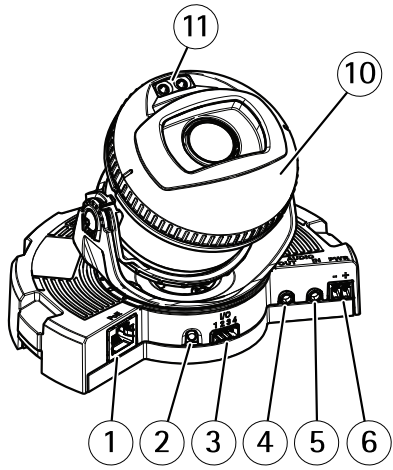
### **NOTICE**

Stainless steel is corrosion-resistant, but extraneous rust can appear if the material is handled incorrectly. Use stainless tools to avoid rust stains or pitting corrosion.

- Screw bit TR20 (included)

# AXIS Q3517-SLVE Network Camera

## Product overview

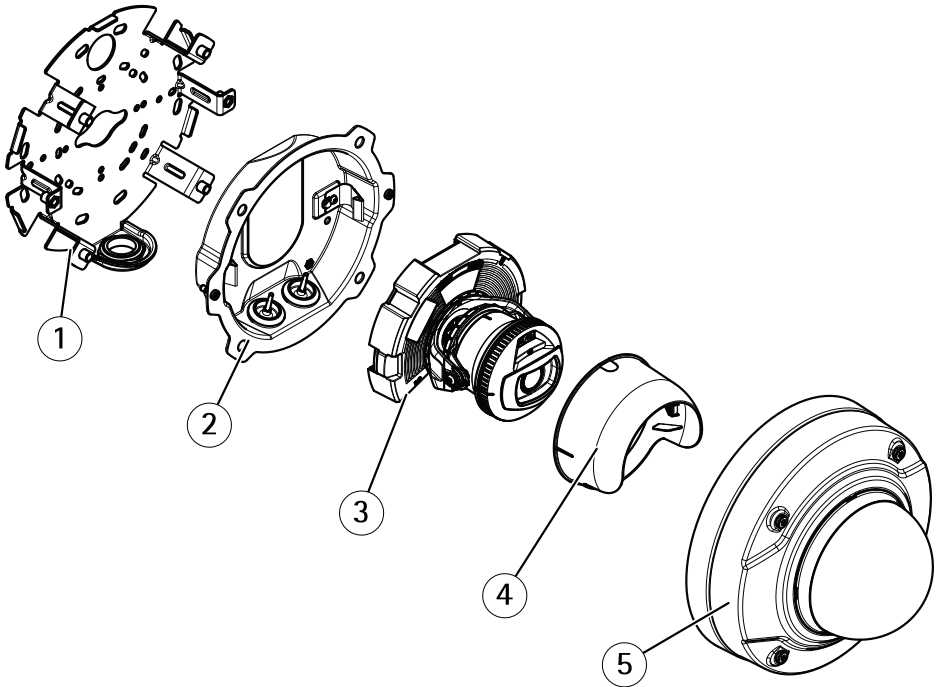


- 1 Network connector
- 2 Control button
- 3 I/O connector
- 4 Audio out
- 5 Audio in
- 6 DC connector
- 7 SD card slot
- 8 Status LED (2x)
- 9 Function button
- 10 Heater
- 11 IR LED (2x)

**⚠ CAUTION**

The heater may be hot.





- 1 *Mounting bracket*
- 2 *Unit casing*
- 3 *Camera unit*
- 4 *View protector*
- 5 *Dome cover*

## How to install the product

### Install the hardware

#### Mounting bracket

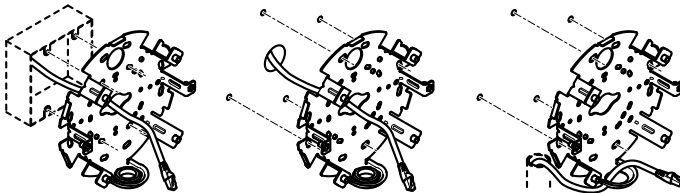
##### ⚠CAUTION

Be careful of sharp metal edges. Use cut-resistant gloves during installation.

The mounting bracket has eight holes along the edge that should be used for fastening the bracket to a wall.

To mount the bracket on a junction box, there are also holes for these mounting options:

- Standard-sized US double gang junction box
- Standard-sized US single gang junction box
- 4" square box
- 4" octagon box



Depending on whether you want to use a junction box, or route the cables through or along the wall, follow the relevant instructions below.

To mount the camera on a junction box:

1. Attach the adhesive gasket to the back of the mounting bracket.
2. Route the network cable (and the multicable if required) through the junction box and through the hole in the mounting bracket.
3. Attach the mounting bracket to the junction box with appropriate stainless screws.

To route cables through the wall:

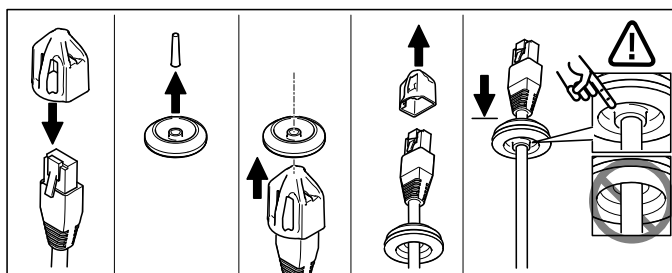
1. Using the drill template drill 4 holes for mounting the bracket, and a hole for routing the cables through the wall.
2. Attach the adhesive gasket to the back of the mounting bracket.
3. Route the network cable (and the multicable if required) through the wall and through the hole in the mounting bracket.
4. Attach the mounting bracket to the wall with appropriate stainless screws.

To route the cables along the wall and through the side hole on the mounting bracket:

1. Attach the adhesive gasket to the back of the mounting bracket.
2. Unscrew the plug from the side hole on the mounting bracket.
3. Route the network cable (and the multicable if required) through the conduit and through the hole in the mounting bracket.
4. Attach the mounting bracket to the wall with appropriate stainless screws.
5. Attach the conduit to the mounting bracket.

## Connect the cables and attach the camera to the mounting bracket

1. Insert the microSD card in the camera unit (optional).
2. Remove the cable gasket for the network cable from the unit casing, see *Product overview on page 8*.
3. Pull to remove the tab on the gasket, and use the provided connector guard to push the network cable through the gasket. Pull the network cable back slightly so that the cable gasket adjusts itself on the cable.



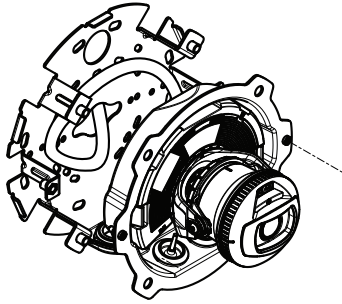
### NOTICE

Not pulling the cable back could cause water to seep in and damage the product.

4. If using a multicable, remove the other cable gasket from the unit casing and discard it.
5. Pull the cables through the unit casing and attach the cable gaskets to the unit casing.
6. Connect the cables to the camera unit.
7. Pull the springs aside in the unit casing and attach the camera unit to the unit casing, pulling the cables through the cable gaskets to shorten them as required.

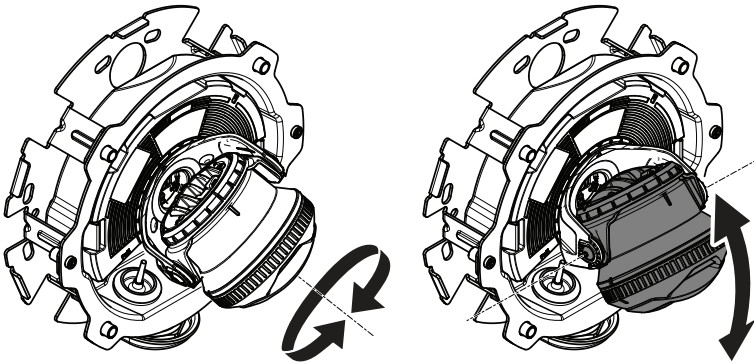
## AXIS Q3517-SLVE Network Camera

---

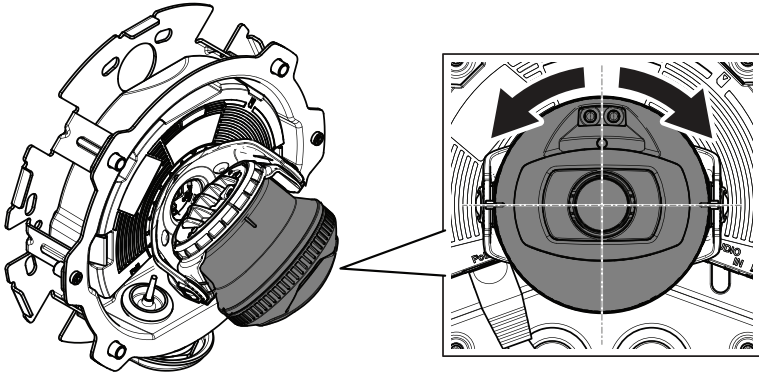


8. Wind up the cable slack along the mounting bracket and attach the unit casing to the mounting bracket with the two screws.
9. Verify that the cable gaskets are correctly mounted against the unit casing and the cables.

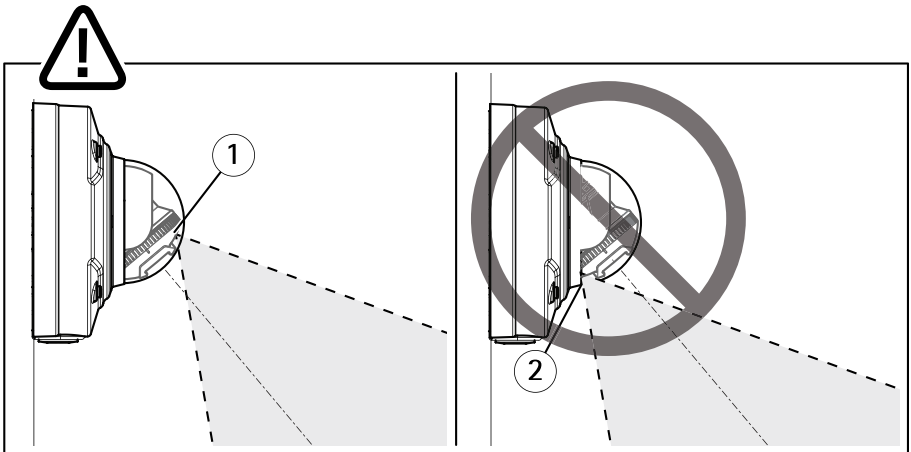
### Adjust the camera angle



1. Pan and tilt the camera to adjust the angle. The camera can pan 360° and tilt from -80° to 80°.



2. Rotate the camera to adjust the angle. The camera can rotate  $\pm 175^\circ$ .



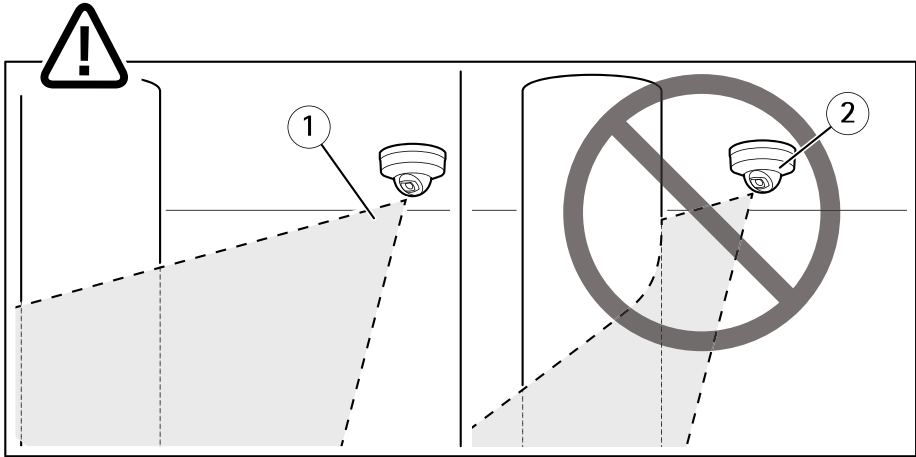
- 1 IR LEDs correctly positioned.
- 2 IR LEDs blocked by dome cover.

3. Put the dome cover over the camera without attaching the screws.
4. Check that the IR LEDs are not blocked by the dome cover.

**Note**

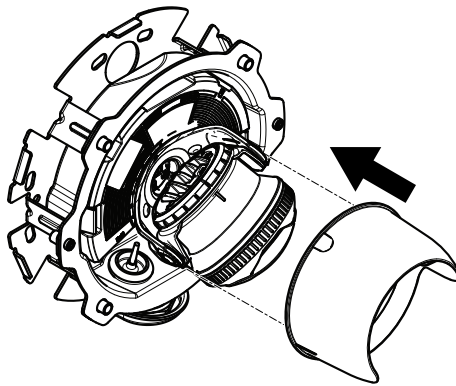
It is important to position the camera at an angle so the light from the IR LEDs does not reflect back to the camera.

# AXIS Q3517-SLVE Network Camera



- 1 IR LEDs not illuminating nearby reflecting surface.
- 2 Camera positioned too close to reflecting surface.

## Attach the view protector



1. Attach the view protector to the camera unit.

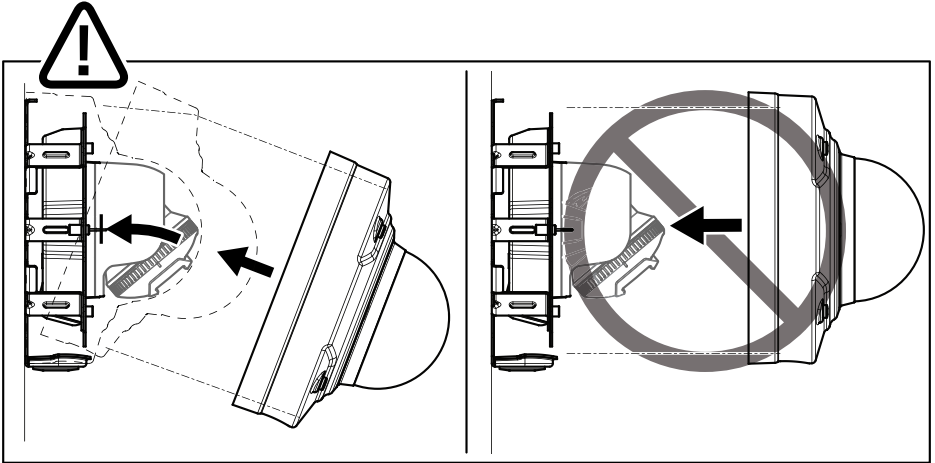
## Attach the dome cover

1. Attach the dome cover to the unit casing with the supplied screw bit. Tighten the screws with 2 N m (1.5 lb ft) torque.

## Note

Attach the dome cover at an angle to keep the position of the camera lens.

EN



2. Remove the protective film from the dome cover.

## How to access the product

To find Axis devices on the network and assign them IP addresses in Windows®, use AXIS IP Utility or AXIS Device Manager. Both applications are free and can be downloaded from [axis.com/support](http://axis.com/support)

For more information about using the product, see the User Manual available at [axis.com](http://axis.com)

## How to adjust focus and zoom

1. Go to the Image tab in the product's webpage.
2. Adjust Zoom.
3. Click Autofocus.

## Reset to factory default settings

### Important

Reset to factory default should be used with caution. A reset to factory default resets all settings, including the IP address, to the factory default values.

To reset the product to the factory default settings:

1. Disconnect power from the product.
2. Press and hold the control button while reconnecting power. See *Product overview on page 8*.
3. Keep the control button pressed for 15–30 seconds until the status LED indicator flashes amber.
4. Release the control button. The process is complete when the status LED indicator turns green. The product has been reset to the factory default settings. If no DHCP server is available on the network, the default IP address is 192.168.0.90.
5. Use the installation and management software tools to assign an IP address, set the password, and access the video stream.

The installation and management software tools are available from the support pages on [axis.com/support](http://axis.com/support).

It is also possible to reset parameters to factory default through the web interface. Go to **Settings > System > Maintenance** and click **Default**.



## Further information

- For the latest version of this document, see [axis.com](https://axis.com)
- The user manual is available at [axis.com](https://axis.com)
- To check if there is updated firmware available for your device, see [axis.com/support](https://axis.com/support)
- For useful online trainings and webinars, see [axis.com/academy](https://axis.com/academy)

## Optional accessories

For a complete list of available accessories for this product, go to the product's page on [axis.com](https://axis.com) and select Software & Accessories.

# AXIS Q3517-SLVE Network Camera

## Specifications

To find the latest version of the product's datasheet, go to the product page at [axis.com](http://axis.com) and locate **Support & Documentation**.

### LED Indicators

#### Note

- The Status LED can be configured to flash while an event is active.

Status LED	Indication
Unlit	Connection and normal operation.
Green	Steady green for 10 seconds for normal operation after startup completed.
Amber	Steady during startup. Flashes during firmware upgrade or reset to factory default.
Amber/Red	Flashes amber/red if network connection is unavailable or lost.

### Status LED behavior and buzzer signal for leveling assistant

For information on the function button used for leveling the image, see [page 19](#).

Press and hold the function button (2) for more than two seconds to level the camera.

- When the camera is level, both LEDs are steady green, and the beep is continuous.
- When the camera is not level, the LEDs flash a combination of red, green and orange, and the beep occurs at slow intervals.

Both LEDs briefly flash green to indicate that the leveling is getting better.

### SD card slot

#### NOTICE

- Risk of damage to SD card. Do not use sharp tools, metal objects, or excessive force when inserting or removing the SD card. Use your fingers to insert and remove the card.
- Risk of data loss and corrupted recordings. Do not remove the SD card while the product is running. Unmount the SD card from the product's webpage before removal.

This product supports microSD/microSDHC/microSDXC cards.

For SD card recommendations, see [axis.com](http://axis.com).

## Buttons

### Control button

For location of the control button, see *Product overview on page 8*.

The control button is used for:

- Resetting the product to factory default settings. See *page 16*.
- Connecting to an AXIS Video Hosting System service. To find out more about this service, see *axis.com*

### Function Button

The function button has multiple functions:

- **As leveling Assistant** – This function helps to ensure the image is level. Press the button for about 2 seconds to start the leveling assistant and press again to stop. The status LED (see *page 18*) and buzzer signal assist leveling of the image. The image is level when the buzzer beeps continuously.
- **To view the Status LED** – Press the button once to light up the Status LEDs. Press again to turn them off. The LEDs will turn off automatically after 10 seconds.

## Connectors

### Network connector

RJ45 Ethernet connector with Power over Ethernet (PoE).

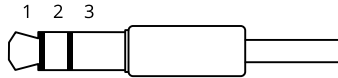
#### **NOTICE**

The product shall be connected using a shielded network cable (STP). All cables connecting the product to the network shall be intended for their specific use. Make sure that the network devices are installed in accordance with the manufacturer's instructions. For information about regulatory requirements, see *Electromagnetic compatibility (EMC) on page 4*.

### Audio connector

- **Audio in** – 3.5 mm input for a mono microphone, or a line-in mono signal (left channel is used from a stereo signal).
- **Audio out** – 3.5 mm output for audio (line level) that can be connected to a public address (PA) system or an active speaker with a built-in amplifier. A stereo connector must be used for audio out.

# AXIS Q3517-SLVE Network Camera



## Audio input

1 Tip	2 Ring	3 Sleeve
Unbalanced microphone (with or without electret power) or line	Electret power if selected	Ground

## Audio output

1 Tip	2 Ring	3 Sleeve
Channel 1, unbalanced line, mono	Channel 1, unbalanced line, mono	Ground

For audio in, the left channel is used from a stereo signal.

## I/O connector

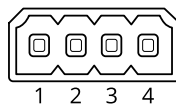
Use the I/O connector with external devices in combination with, for example, motion detection, event triggering, and alarm notifications. In addition to the 0 V DC reference point and power (DC output), the I/O connector provides the interface to:

**Digital input** – For connecting devices that can toggle between an open and closed circuit, for example PIR sensors, door/window contacts, and glass break detectors.

**Supervised input** – Enables possibility to detect tampering on a digital input.

**Digital output** – For connecting external devices such as relays and LEDs. Connected devices can be activated by the VAPIX® Application Programming Interface or from the product's webpage.

4-pin terminal block

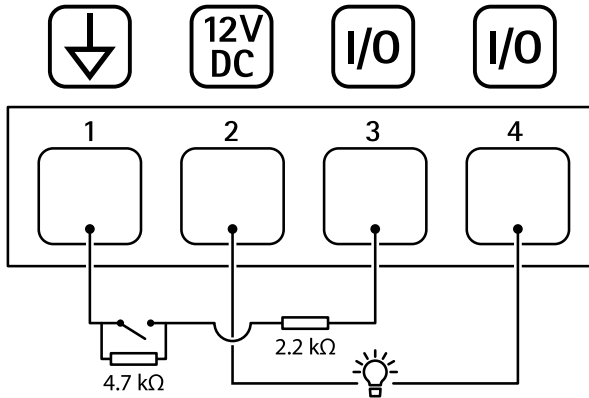


# AXIS Q3517-SLVE Network Camera

EN

Function	Pin	Notes	Specifications
DC ground	1		0 V DC
DC output	2	Can be used to power auxiliary equipment. Note: This pin can only be used as power out.	12 V DC Max load = 50 mA
Configurable (Input or Output)	3– 4	Digital input or Supervised input – Connect to pin 1 to activate, or leave floating (unconnected) to deactivate. To use supervised input, install end-of-line resistors. See connection diagram for information about how to connect the resistors.	0 to max 30 V DC
		Digital output – Internally connected to pin 1 (DC ground) when active, and floating (unconnected) when inactive. If used with an inductive load, e.g., a relay, connect a diode in parallel with the load, to protect against voltage transients.	0 to max 30 V DC, open drain, 100 mA

## Example

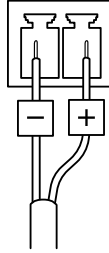


- 1 DC ground
- 2 DC output 12 V, max 50 mA
- 3 I/O configured as supervised input
- 4 I/O configured as output

# AXIS Q3517-SLVE Network Camera

## Power connector

2-pin terminal block for DC power input. Use a Safety Extra Low Voltage (SELV) compliant limited power source (LPS) with either a rated output power limited to  $\leq 100$  W or a rated output current limited to  $\leq 5$  A.



## Operating conditions

Product	Classification	Temperature	Humidity
AXIS Q3517-SLVE	IEC 60529 IP66 and IP67 NEMA 250 4X-rated	-50 °C to 60 °C (-58 °F to 140 °F)	10–100% RH

## Power consumption

Product	Power over Ethernet (PoE)	DC
AXIS Q3517-SLVE	IEEE 802.3af/802.3at Type 1, Class 3 Typical 6.5 W Max 12.9 W	Typical 6.9 W Max 14.5 W

## Safety information

### Hazard levels

**▲DANGER**

Indicates a hazardous situation which, if not avoided, will result in death or serious injury.

**▲WARNING**

Indicates a hazardous situation which, if not avoided, could result in death or serious injury.

**▲CAUTION**

Indicates a hazardous situation which, if not avoided, could result in minor or moderate injury.

**NOTICE**

Indicates a situation which, if not avoided, could result in damage to property.

### Other message levels

**Important**

Indicates significant information which is essential for the product to function correctly.

**Note**

Indicates useful information which helps in getting the most out of the product.

## Safety instructions

### **▲CAUTION**

Be careful of sharp metal edges. Use cut-resistant gloves during installation.

### **NOTICE**

- The Axis product shall be used in compliance with local laws and regulations.
- Store the Axis product in a dry and ventilated environment.
- Do not install the product on unstable poles, brackets, surfaces or walls.
- Use only applicable tools when installing the Axis product. Using excessive force with power tools could cause damage to the product.
- Use only accessories that comply with the technical specification of your product. These can be provided by Axis or a third party. Axis recommends using Axis power source equipment compatible with your product.
- Use only spare parts provided by or recommended by Axis.
- Do not attempt to repair the product yourself. Contact Axis support or your Axis reseller for service matters.

## Transportation

### **NOTICE**

- When transporting the Axis product, use the original packaging or equivalent to prevent damage to the product.

## Battery

The Axis product uses a 3.0 V CR2032 lithium battery as the power supply for its internal real-time clock (RTC). Under normal conditions this battery will last for a minimum of five years.

### **▲CAUTION**

Do not replace the battery yourself. Contact Axis support if the log message requests a battery change.

Lithium coin cell 3.0 V batteries contain 1,2-dimethoxyethane; ethylene glycol dimethyl ether (EGDME), CAS no. 110-71-4.

## Dome cover

### **NOTICE**

- Be careful not to scratch, damage or leave fingerprints on the dome cover because this could decrease image quality. If possible, keep the protective plastic on the dome cover until the installation is complete.



- Do not clean a dome cover that looks clean to the eye and never polish the surface. Excessive cleaning could damage the surface.
- For general cleaning of the dome cover it is recommended to use a non-abrasive, solvent-free neutral soap or detergent mixed with pure water and a soft, clean cloth. Rinse well with pure lukewarm water. Dry with a soft, clean cloth to prevent water spotting.
- Never use harsh detergents, gasoline, benzene, acetone, or similar chemicals.
- Avoid cleaning the dome cover in direct sunlight or at elevated temperatures.



## Contenu de l'emballage

- AXIS Q3517-SLVE Network Camera
- Mèche de vissage TR20
- Connecteur d'E/S
- Connecteur CC
- Protection de connecteur
- Joint adhésif
- Joints de câble supplémentaires
  - Joint de câble M20 5 mm (pour diamètre de câble 5–10 mm)
  - Kit de joint M20 3 mm (pour diamètre de câble 3–5 mm)
- Documents imprimés
  - Guide d'installation (ce document)
  - Gabarit de perçage
  - Étiquette supplémentaire de numéro de série (x2)
  - Clé d'authentification AVHS

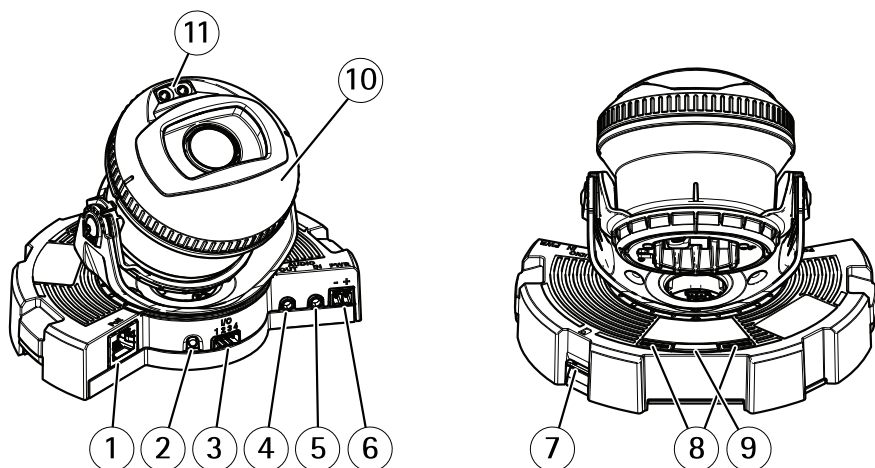
## Outils recommandés

### **AVIS**

L'acier inoxydable résiste à la corrosion, mais de la rouille erratique peut apparaître si le matériel n'est pas manipulé correctement. Utilisez des outils en acier inoxydable pour éviter les taches de rouille ou la formation de piqûres de rouille.

- Embout pour vis TR20 (fourni)

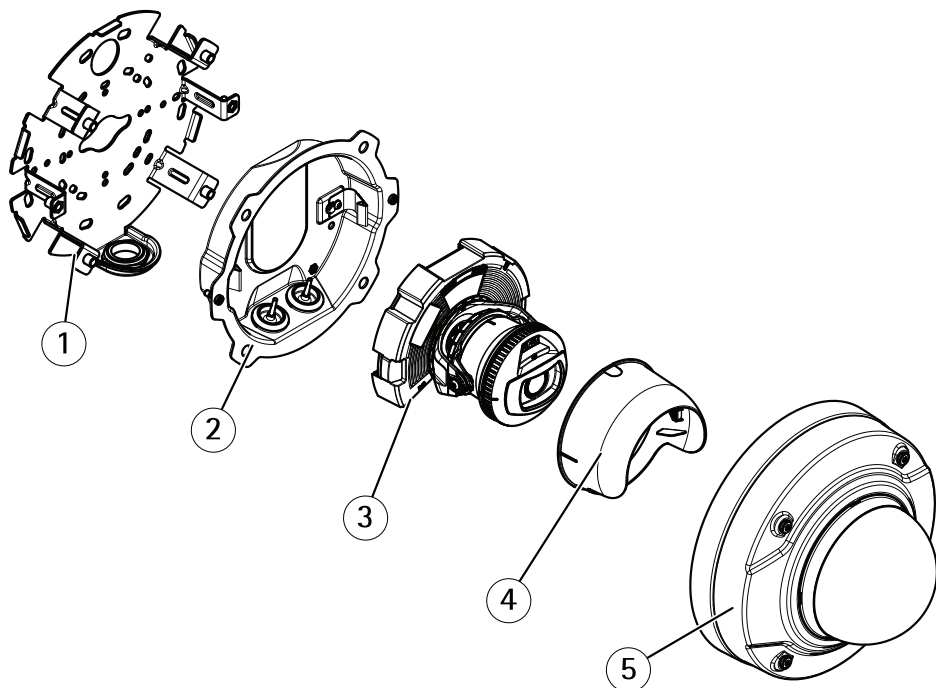
## Vue d'ensemble du produit



- 1 Connecteur réseau
- 2 Bouton de commande
- 3 Connecteur d'E/S
- 4 Sortie audio
- 5 Entrée audio
- 6 Connecteur CC
- 7 Emplacement pour carte SD
- 8 Voyant d'état (2x)
- 9 Bouton de fonction
- 10 Régulateur de chaleur
- 11 LED IR (2x)

### **ATTENTION**

Le régulateur de chaleur peut être chaud.



- 1 *Support de fixation*
- 2 *Boîtier de l'unité*
- 3 *Caméra*
- 4 *Protection d'objectif*
- 5 *Couvercle de dôme*

## Comment installer le produit

### Installation du matériel

#### Support de fixation

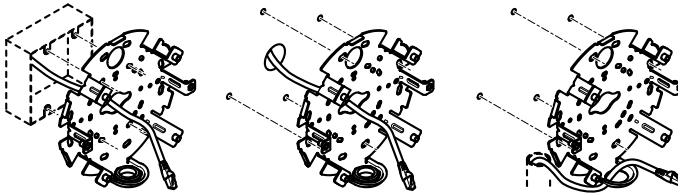
##### ⚠ATTENTION

Faire attention aux bords métalliques coupants. Porter des gants de protection anti-coupures pendant l'installation.

Le bord du support de fixation comporte huit trous qui doivent être utilisés pour le fixer sur un mur.

Pour fixer le support sur un boîtier de jonction, il existe également des trous pour ces options de montage :

- Boîtier de jonction américain double de taille normale
- Boîtier de jonction américain simple de taille normale
- Boîtier carré de 4 po
- Boîtier octogonal de 4 po



Selon que vous souhaitez utiliser un boîtier de jonction ou faire passer les câbles le long du mur ou à travers le mur, suivez les instructions correspondantes ci-dessous.

Montage de la caméra sur un boîtier de jonction :

1. Fixez le joint adhésif à l'arrière du support de fixation.
2. Faites passer le câble réseau (ainsi que le câble multiple, si nécessaire) à travers le boîtier de jonction et dans le trou du support de fixation.
3. Fixez le support de fixation au boîtier de jonction en utilisant des vis inoxydables appropriées.

Acheminement des câbles à travers le mur :

1. Utilisez les 4 trous du gabarit de perçage pour fixer le support et un trou pour acheminer les câbles à travers le mur.
2. Fixez le joint adhésif à l'arrière du support de fixation.

3. Faites passer le câble réseau (ainsi que le câble multiple, si nécessaire) à travers le mur et dans le trou du support de fixation.
4. Fixez le support de fixation au mur en utilisant des vis inoxydables appropriées.

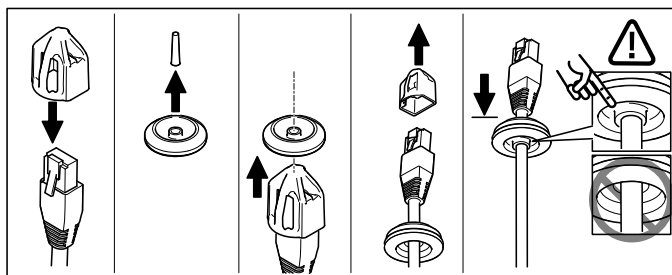
Pour acheminer les câbles à travers le mur et à travers le trou latéral du support de fixation :

1. Fixez le joint adhésif à l'arrière du support de fixation.
2. Dévissez le cache par le trou latéral du support de fixation.
3. Faites passer le câble réseau (ainsi que le câble multiple, si nécessaire) à travers le conduit et dans le trou du support de fixation.
4. Fixez le support de fixation au mur en utilisant des vis inoxydables appropriées.
5. Fixez le conduit au support de fixation.

FR

## Connexion des câbles et fixation de la caméra au support de fixation

1. Insérez la carte microSD dans la caméra (en option).
2. Retirez le joint du câble réseau du boîtier de l'unité, voir *Vue d'ensemble du produit page 28*.
3. Tirez pour retirer la patte du joint, puis utilisez la protection du connecteur fournie pour pousser le câble réseau à travers le joint. Tirez légèrement sur le câble réseau pour que le joint s'ajuste dessus.



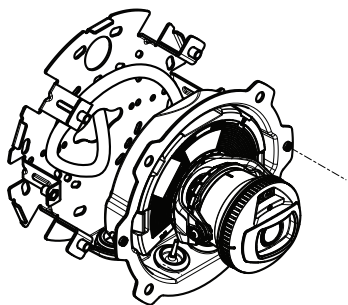
### AVIS

Si vous ne tirez pas sur le câble, il existe un risque d'infiltration d'eau et d'endommagement du produit.

4. Si vous utilisez un câble multiple, retirez l'autre joint de câble du boîtier de l'unité et mettez-le au rebut.
5. Faites passer les câbles à travers le boîtier de l'unité et fixez les joints de câble sur ce dernier.
6. Connectez les câbles à la caméra.
7. Écartez les ressorts du boîtier de l'unité et fixez la caméra au boîtier, en tirant sur les câbles à travers les joints de câble afin de les raccourcir si besoin.

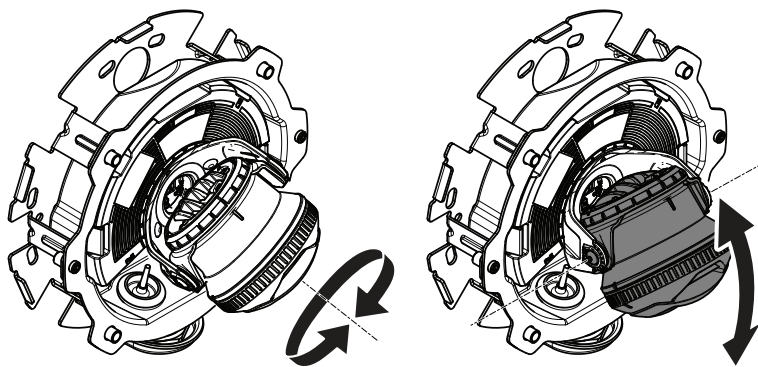
## AXIS Q3517-SLVE Network Camera

---



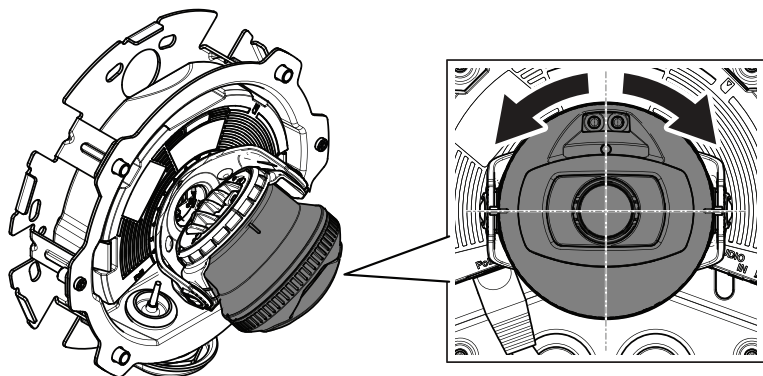
8. Enroulez la longueur du câble le long du support de fixation et fixez le boîtier de l'unité sur le support de fixation avec les deux vis.
9. Vérifiez que les joints de câble sont correctement montés sur le boîtier de l'unité et les câbles.

### Réglage de l'angle de la caméra

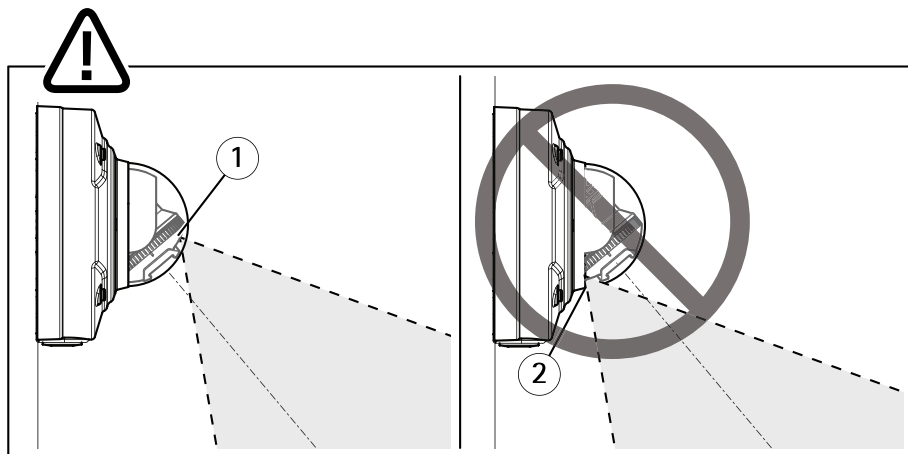


1. Faites un panoramique et inclinez la caméra pour ajuster l'angle. La caméra peut faire un panoramique à 360° et s'incliner de -80° à 80°.





2. Pivotez la caméra pour ajuster l'angle. La caméra peut pivoter à  $\pm 175^\circ$ .

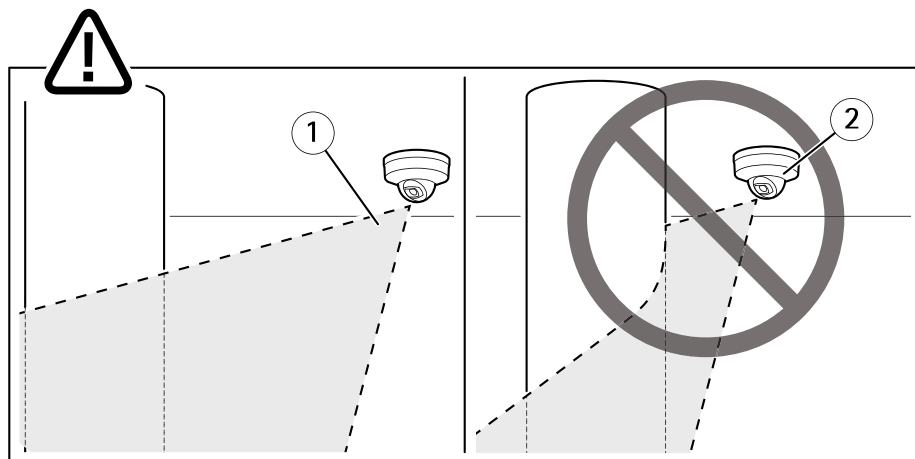


- 1 LED IR correctement positionnées.
- 2 LED IR bloquées par le couvercle de dôme.

3. Placez le couvercle de dôme au-dessus de la caméra sans fixer les vis.
4. Vérifiez que les LED IR ne sont pas bloquées par le couvercle de dôme.

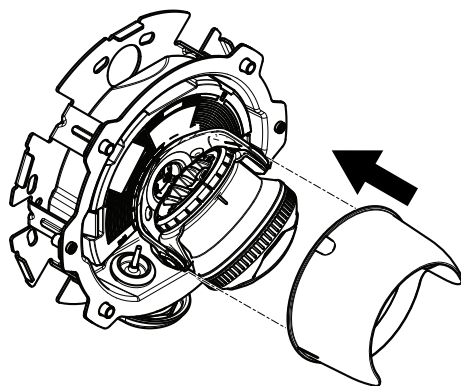
## Note

Il est important de positionner la caméra à l'oblique de sorte que la lumière venant des LED IR ne réfléchissent pas sur la caméra.



- 1 Les LED IR n'éclairent pas la surface réfléchissante à proximité.
- 2 Caméra positionnée trop près de la surface réfléchissante.

## Fixation de la protection d'objectif



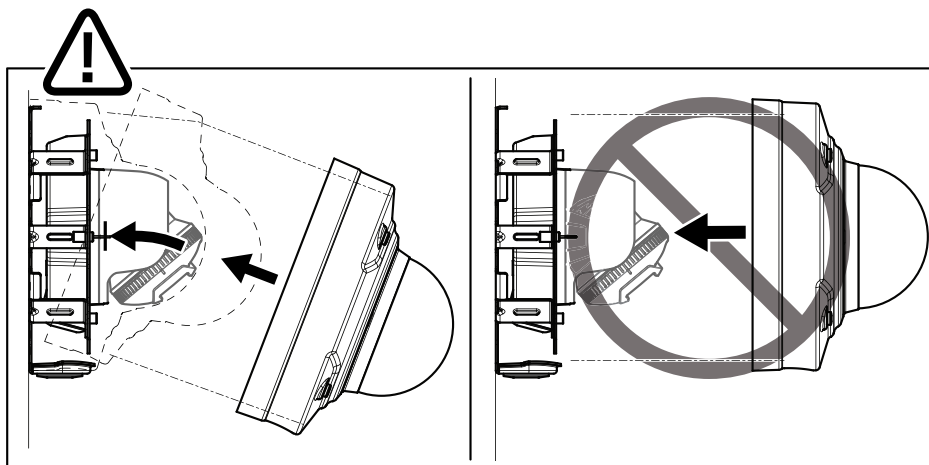
1. Fixez la protection d'objectif sur la caméra.

## Fixation du couvercle du dôme

1. Fixez le couvercle du dôme sur le boîtier de l'unité à l'aide de la mèche de vissage fournie. Serrez les vis à l'aide d'un couple de serrage 2 Nm.

## Note

Fixez le couvercle du dôme à l'oblique pour garder la position de l'objectif de la caméra.



FR

2. Retirez le film protecteur du couvercle de dôme.

## Comment accéder au produit

Pour trouver les périphériques Axis présents sur le réseau et leur attribuer des adresses IP sous Windows®, utilisez AXIS IP Utility ou AXIS Device Manager. Ces applications sont gratuites et peuvent être téléchargées via [axis.com/support](http://axis.com/support)

Pour plus d'informations sur l'utilisation du produit, consultez le Manuel de l'utilisateur disponible sur [axis.com](http://axis.com)

## Réglage de la mise au point et du zoom

1. Accédez à l'onglet Image de la page Web du produit.
2. Réglez le zoom.
3. Cliquez sur Autofocus (Mise au point automatique).

### Réinitialiser les paramètres par défaut

#### Important

La réinitialisation aux paramètres par défaut doit être utilisée avec prudence. Cette opération restaure tous les paramètres, y compris l'adresse IP.

Pour réinitialiser l'appareil aux paramètres d'usine par défaut :

1. Déconnectez l'alimentation de l'appareil.
2. Maintenez le bouton de commande enfoncé en remettant l'appareil sous tension. Cf. *Vue d'ensemble du produit page 28*.
3. Maintenez le bouton de commande enfoncé pendant 15 à 30 secondes, jusqu'à ce que le voyant d'état clignote en orange.
4. Relâchez le bouton de commande. Le processus est terminé lorsque le voyant d'état passe au vert. Les paramètres d'usine par défaut de l'appareil ont été rétablis. En l'absence d'un serveur DHCP sur le réseau, l'adresse IP par défaut est 192 . 168 . 0 . 90.
5. Utilisez les outils d'installation et de gestion pour attribuer une adresse IP, configurer le mot de passe et accéder au flux de données vidéo.

Les logiciels d'installation et de gestion sont disponibles sur les pages d'assistance du site [axis.com/support](http://axis.com/support).

Vous pouvez également restaurer les paramètres par défaut à partir de l'interface Web. Accédez à **Settings > System > Maintenance (Paramètres > Système > Maintenance)**, puis cliquez sur **Default (Par défaut)**.

## Informations complémentaires

- Pour obtenir la version la plus à jour de ce document, voir [axis.com](http://axis.com)
- Le manuel d'utilisateur est disponible sur le site [axis.com](http://axis.com)
- Pour vérifier s'il existe un firmware mis à jour pour votre appareil, voir [axis.com/support](http://axis.com/support)
- Pour accéder à des formations et webinaires en ligne utiles, voir [axis.com/academy](http://axis.com/academy)

FR

## Accessoires en option

Pour une liste complète des accessoires disponibles pour ce produit, accédez à la page du produit sur [axis.com](http://axis.com) et sélectionnez Logiciel et accessoires.

## Caractéristiques

Pour obtenir la dernière version de la fiche technique du produit, rendez-vous sur la page du produit sur le site [axis.com](http://axis.com) et trouvez l'option **Support & Documentation (Assistance et documentation)**.

### Voyants

#### Note

- Le voyant d'état peut clignoter lorsqu'un événement est actif.

LED de statut	Indication
Éteinte	Branchement et fonctionnement normaux.
Vert	Vert et fixe pendant 10 secondes pour indiquer un fonctionnement normal après le démarrage.
Orange	Fixe pendant le démarrage. Clignote pendant les mises à niveau du microprogramme ou le rétablissement des valeurs par défaut configurées en usine.
Orange / Rouge	Clignote en orange/rouge en cas d'indisponibilité ou de perte de la connexion réseau.

### Comportement du voyant d'état et du signal sonore pour l'assistant de nivellement

Pour plus d'informations sur le bouton fonction utilisé pour la stabilisation de l'image, consultez [page 39](#).

Maintenez le bouton Fonction (2) enfoncé pendant plus de deux secondes pour mettre la caméra à niveau.

- Lorsque la caméra est mise à niveau, les deux voyants DEL sont verts et fixes et le signal sonore est continu.
- Lorsque la caméra n'est pas mise à niveau, les voyants d'état clignotent alternativement en rouge, vert et orange et le signal sonore est émis à intervalles lents.

Les deux voyants d'état clignotent brièvement en vert pour indiquer que le nivellement s'améliore.

### Fente pour carte SD

#### AVIS

- Risque de dommages à la carte SD. N'utilisez pas d'outils tranchants ou d'objets métalliques pour insérer ou retirer la carte SD, et ne forcez pas lors son insertion ou de son retrait. Utilisez vos doigts pour insérer et retirer la carte.

- Risque de perte de données et d'enregistrements corrompus. Ne retirez pas la carte SD pendant que le produit fonctionne. Démontez la carte SD de la page Web du produit avant le retrait.

Ce produit est compatible avec les cartes microSD/microSDHC/microSDXC.

Pour des recommandations sur les cartes SD, rendez-vous sur [axis.com](http://axis.com).

FR

## Boutons

### Bouton de commande

Pour connaître l'emplacement du bouton de commande, consultez *Vue d'ensemble du produit* page 28.

Le bouton de commande permet de réaliser les opérations suivantes :

- Réinitialisation du produit aux paramètres d'usine par défaut. Cf. *page 36*.
- Connexion au service du Système d'hébergement vidéo AXIS. Pour en savoir plus sur ce service, consultez le site [axis.com](http://axis.com).

### Bouton Fonction

Le bouton Fonction permet de réaliser les opérations suivantes :

- **Assistant de nivellement** : cette fonction permet de s'assurer que l'image est stable. Appuyez sur le bouton pendant environ 2 secondes pour démarrer l'assistant de nivellement et appuyez une nouvelle fois pour le désactiver. Le voyant d'état (cf. *page 18*) et le signal sonore vous aident lors de la stabilisation de l'image. Lorsque l'avertisseur émet un signal sonore continu, cela signifie que l'image est stable.
- **Affichage des voyants d'état** : appuyez sur le bouton une fois pour allumer les voyants d'état. Appuyez à nouveau pour les éteindre. Les voyants s'éteignent automatiquement après 10 secondes.

## Connecteurs

### Connecteur réseau

Connecteur Ethernet RJ45 avec l'alimentation par Ethernet (PoE).

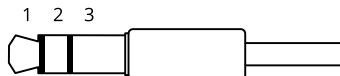
#### **AVIS**

Le produit doit être connecté à l'aide d'un câble réseau blindé (STP). Tous les câbles reliant le produit au commutateur réseau doivent être destinés à leur usage spécifique. Assurez-vous que les périphériques réseau sont installés conformément aux instructions du fabricant. Pour plus d'informations sur les exigences réglementaires, consultez .

# AXIS Q3517-SLVE Network Camera

## Connecteur audio

- **Entrée audio** – entrée de 3,5 mm pour microphone mono ou signal d'entrée mono (le canal de gauche est utilisé pour le signal stéréo).
- **Sortie audio** – sortie de 3,5 mm (niveau de ligne) qui peut être connectée à un système de sonorisation ou à un haut-parleur actif avec amplificateur intégré. Un connecteur stéréo doit être utilisé pour la sortie audio.



### Entrée audio

1 Pointe	2 Anneau	3 Manchon
Microphone déséquilibré (avec ou sans alimentation à électret) ou ligne	Alimentation à électret si sélectionnée	Masse

### Sortie audio

1 Pointe	2 Anneau	3 Manchon
Canal 1, ligne déséquilibrée, mono	Canal 1, ligne déséquilibrée, mono	Masse

Pour l'entrée audio, le canal gauche d'un signal stéréo est utilisé.

## Connecteur d'E/S

Utilisez le connecteur d'E/S avec des périphériques externes, associés aux applications telles que la détection de mouvement, le déclenchement d'événements et les notifications d'alarme. En plus du point de référence 0 V CC et de l'alimentation (sortie CC), le connecteur d'E/S fournit une interface aux éléments suivants :

**Entrée numérique** – Pour connecter des dispositifs pouvant passer d'un circuit ouvert à un circuit fermé, par exemple capteurs infrarouge passifs, contacts de porte/fenêtre et détecteurs de bris de verre.

**Entrée supervisée** – Permet la détection de sabotage sur une entrée numérique.

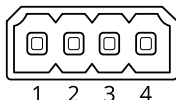


## AXIS Q3517-SLVE Network Camera

FR

**Sortie numérique** – Permet de connecter des dispositifs externes, comme des relais ou des voyants. Les appareils connectés peuvent être activés par l'interface de programmation VAPIX® ou à partir de la page Web du produit.

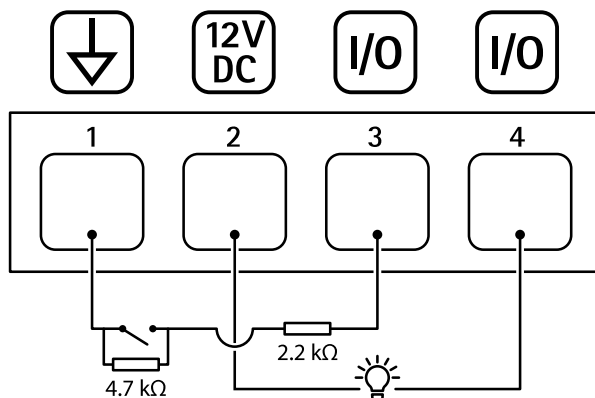
Bloc terminal à 4 broches



Fonction	Broche	Remarques	Caractéristiques
Masse du CC	1		0 V CC
Sortie CC	2	Peut servir à alimenter le matériel auxiliaire. Remarque : cette broche ne peut être utilisée que comme sortie d'alimentation.	12 V CC Charge maximale = 50 mA
Configurable (entrée ou sortie)	3-4	Entrée numérique ou entrée supervisée – Connectez-la à la broche 1 pour l'activer ou laissez-la flotter (déconnectée) pour la désactiver. Pour utiliser une entrée supervisée, installez des résistances de fin de ligne. Consultez le schéma de connexion pour plus d'informations sur la connexion des résistances.	0 à 30 V CC max
		Sortie numérique – Connexion interne à la broche 1 (masse CC) en cas d'activation, et flottante (déconnectée) en cas de désactivation. En cas d'utilisation avec une charge inductive, par exemple un relais, connectez une diode en parallèle à la charge pour assurer la protection contre les transitoires de tension.	0 à 30 V CC max., drain ouvert, 100 mA

Exemple

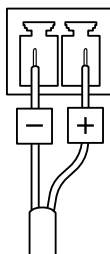
# AXIS Q3517-SLVE Network Camera



- 1 Masse CC
- 2 Sortie CC 12 V, maxi. 50 mA
- 3 E/S configurée comme entrée supervisée
- 4 Entrée/sortie configurée comme sortie

## Connecteur d'alimentation

Bloc terminal à 2 broches pour l'alimentation CC. Utilisez une source d'alimentation limitée (LPS) conforme aux exigences de Très basse tension de sécurité (TBTS) dont la puissance de sortie nominale est limitée à  $\leq 100$  W ou dont le courant de sortie nominal est limité à  $\leq 5$  A.



## Conditions d'utilisation

Produit	Classification	Température	Humidité
AXIS Q3517-SLVE	IEC 60529 Certifications IP66 et IP67 NEMA 250 4X	-50 °C à 60 °C (-58 °F à 140 °F)	Humidité relative de 10 à 100 %

## Consommation électrique

Produit	Alimentation par Ethernet (PoE)	CC
AXIS Q3517-SLVE	IEEE 802.3af/802.3at Type 1, Classe 3 6,5 W en standard 12,9 W max.	6,9 W en standard 14,5 W max.

FR



## Informations sur la sécurité

### Niveaux de risques

#### **▲ DANGER**

Indique une situation dangereuse qui, si elle n'est pas évitée, entraînera le décès ou des blessures graves.

#### **▲ AVERTISSEMENT**

Indique une situation dangereuse qui, si elle n'est pas évitée, pourrait entraîner le décès ou des blessures graves.

#### **▲ ATTENTION**

Indique une situation dangereuse qui, si elle n'est pas évitée, pourrait entraîner des blessures légères ou modérées.

#### **AVIS**

Indique une situation qui, si elle n'est pas évitée, pourrait endommager l'appareil.

### Autres niveaux de message

#### **Important**

Indique les informations importantes, nécessaires pour assurer le bon fonctionnement de l'appareil.

#### **Note**

Indique les informations utiles qui permettront d'obtenir le fonctionnement optimal de l'appareil.

## Consignes de sécurité

### ⚠ATTENTION

Faire attention aux bords métalliques coupants. Porter des gants de protection anti-coupures pendant l'installation.

### AVS

- Le produit Axis doit être utilisé conformément aux lois et règlements locaux.
- Conserver ce produit Axis dans un environnement sec et ventilé.
- Ne pas installer ce produit sur des poteaux, supports, surfaces ou murs instables.
- Utiliser uniquement des outils recommandés pour l'installation de l'appareil Axis. L'application d'une force excessive sur l'appareil avec des outils puissants pourrait l'endommager.
- Utiliser uniquement des accessoires conformes aux caractéristiques techniques de votre produit. Ils peuvent être fournis par Axis ou un tiers. Axis recommande d'utiliser un équipement d'alimentation Axis compatible avec votre produit.
- Utiliser uniquement les pièces de rechange fournies ou recommandées par Axis.
- Ne pas essayer de réparer vous-même ce produit. Contacter l'assistance technique d'Axis ou votre revendeur Axis pour des problèmes liés à l'entretien.

## Transport

### AVS

- Lors du transport du produit Axis, utilisez l'emballage d'origine ou un équivalent pour éviter d'endommager le produit.

## Batterie

Le produit Axis utilise une batterie au lithium CR2032 3,0 V comme alimentation de son horloge en temps réel interne (RTC). Dans des conditions normales, cette batterie a une durée de vie minimale de cinq ans.

### ⚠ATTENTION

Ne remplacez pas la batterie vous-même. Contactez le support Axis si le message du journal demande un changement de batterie.

Les piles boutons 3,0 V au lithium contiennent du 1,2-diméthoxyéthane, éthylène glycol diméthyl éther (EGDME), CAS n° 110-71-4.

## Couvercle de dôme

### **AVIS**

- Veillez à ne pas rayer, endommager ou laisser d'empreintes sur le couvercle du dôme car cela pourrait altérer la qualité d'image. Laissez, si possible, la protection en plastique sur le couvercle du dôme jusqu'à la fin de l'installation.
- Ne nettoyez pas le couvercle du dôme s'il semble propre à l'œil nu et ne frottez jamais sa surface. Un nettoyage excessif pourrait endommager la surface.
- Pour le nettoyage général du couvercle du dôme, il est recommandé d'utiliser un produit non abrasif, un savon neutre sans solvant ou un détergent mélangé avec de l'eau pure et un chiffon doux propre. Rincez bien à l'eau tiède pure. Séchez avec un chiffon doux et propre pour éviter les tâches d'eau.
- N'utilisez jamais de détergents agressifs, d'essence, de benzène, d'acétone ou autres produits chimiques similaires.
- Évitez de nettoyer le couvercle du dôme dans la lumière directe du soleil ou lorsque les températures sont élevées.

FR





## Lieferumfang

- AXIS Q3517-SLVE Network Camera
- Schraubenloch Bit TR20
- E/A-Anschluss
- Gleichstromanschluss
- Verbindungsschutz
- Klebedichtung
- Zusätzliche Kabeldichtungen
  - Kabeldichtung M20 (5 mm) für Kabeldurchmesser von 5 bis 10 mm
  - Dichtungssatz M20 (3 mm) für Kabeldurchmesser von 3 bis 5 mm
- Gedrucktes Material
  - Installationsanleitung (dieses Dokument)
  - Bohrschablone
  - Zusätzliche Etiketten mit der Seriennummer (2x)
  - AVHS-Authentifizierungsschlüssel

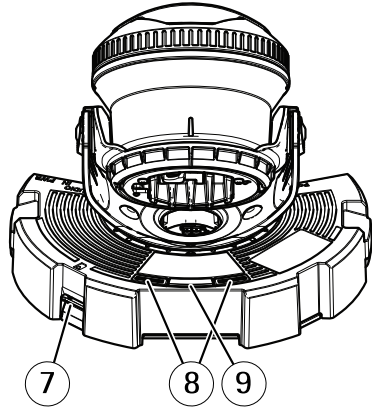
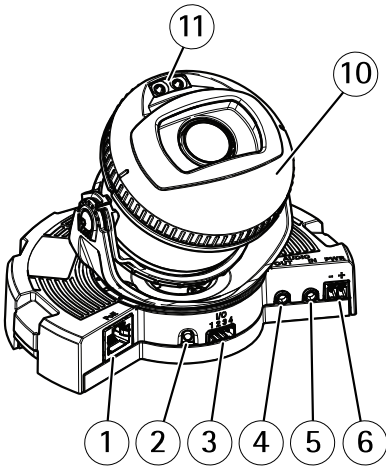
## Empfohlene Werkzeuge

### **HINWEIS**

Edelstahl ist korrosionsbeständig, bei unsachgemäßer Handhabung kann jedoch Fremdrost auftreten. Werkzeug aus Edelstahl verwenden, um Rostflecken oder Lochfraß zu vermeiden.

- Schraubbit TR20 (enthalten)

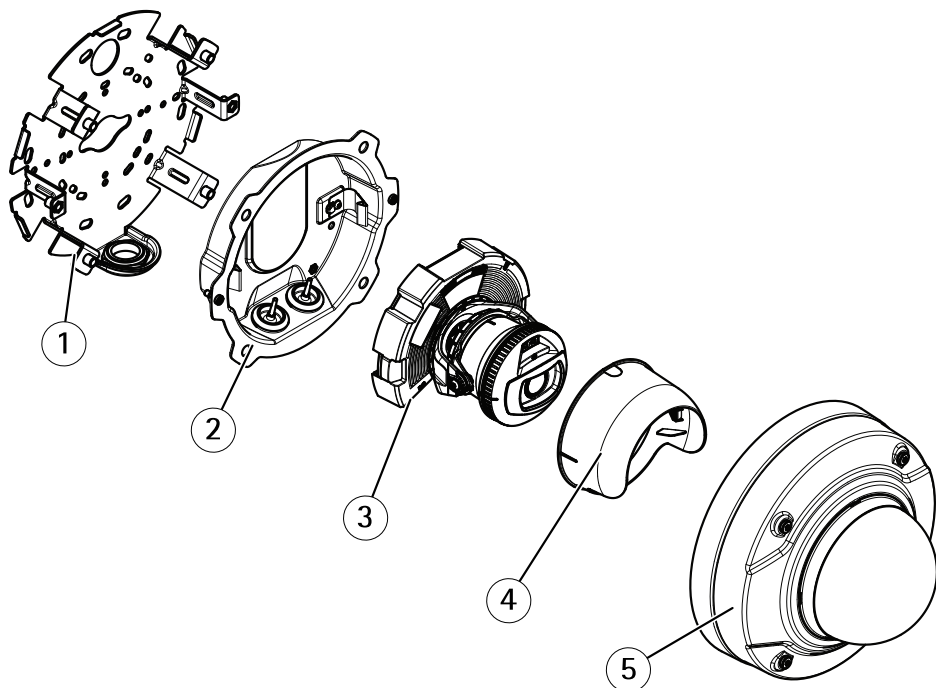
## Produktübersicht



- 1 Netzwerkanschluss
- 2 Steuertaste
- 3 E/A-Anschluss
- 4 Audioausgang
- 5 Audioeingang
- 6 Gleichstromanschluss
- 7 SD-Kartensteckplatz
- 8 Status-LED (2x)
- 9 Funktionstaste
- 10 Heizelement
- 11 IR-LED (2 St.)

### **⚠ VORSICHT**

Das Heizelement ist unter Umständen heiß.



- 1 *Montagehalterung*
- 2 *Gehäuse der Einheit*
- 3 *Kameraeinheit*
- 4 *Sichtschutz*
- 5 *Kuppelabdeckung*

## Installieren des Produkts

### Die Hardware installieren

#### Montagehalterung

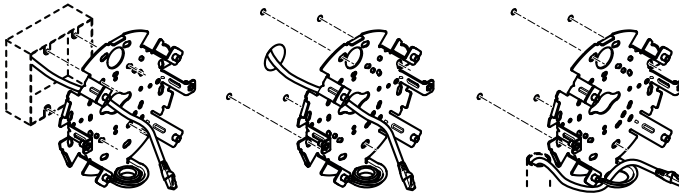
##### **▲VORSICHT**

Vorsicht vor scharfen Metallkanten. Während der Installation Schnittschutzhandschuhe tragen.

Die acht Bohrungen an den Kanten sind für die Wandmontage vorgesehen.

Es sind Bohrungen für die Montage der Halterung an folgenden Anschlussdosen vorhanden:

- Standard-US-Doppelverteilerdose
- Standard-US-Anschlussdose
- Quadratische 4"-Anschlussdose
- Achteckige 4"-Anschlussdose



Je nachdem, ob Sie eine Anschlussdose verwenden oder die Kabel durch oder entlang der Wand führen möchten, folgen Sie den untenstehenden Anweisungen.

Die Montage an eine Anschlussdose:

1. Die Klebedichtung an der Rückseite der Halterung anbringen.
2. Das Netzkabel (falls erforderlich auch das Mehrfachanschlusskabel) durch die Anschlussdose und durch die Bohrung in der Halterung führen.
3. Bringen Sie die Halterung mit geeigneten Schrauben aus Edelstahl an der Anschlussdose an.

Für die Verlegung der Kabel durch die Wand:

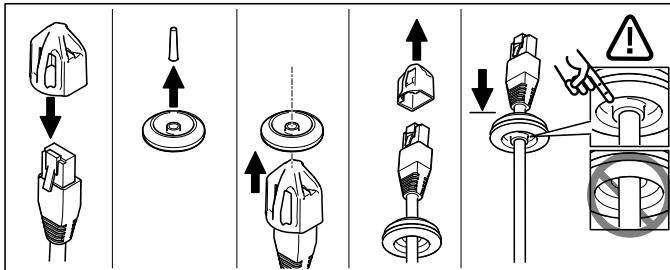
1. Mithilfe der Bohrshablone vier Löcher für die Halterung in die Wand und ein Loch für die Kabelführung durch die Wand bohren.
2. Die Klebedichtung an der Rückseite der Halterung anbringen.
3. Das Netzkabel (falls erforderlich auch das Mehrfachanschlusskabel) durch die Wand und durch die Bohrung in der Halterung führen.

4. Bringen Sie die Halterung mit geeigneten Schrauben aus Edelstahl an der Wand an.  
Verlegen der Kabel entlang der Wand und durch die seitliche Bohrung in der Halterung:

1. Die Klebedichtung an der Rückseite der Halterung anbringen.
2. Den Stopfen aus der seitlichen Bohrung der Halterung heraus schrauben.
3. Führen Sie das Netzkabel (und ggf. das Mehrfachanschlusskabel) durch die Kabelführung und durch die Bohrung in der Halterung.
4. Bringen Sie die Halterung mit geeigneten Schrauben aus Edelstahl an der Wand an.
5. Bringen Sie die Kabelführung an der Halterung an.

## Die Kabel anschließen und die Kamera an der Halterung anbringen.

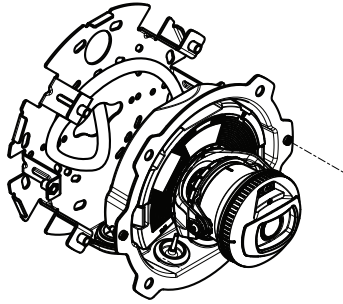
1. Die microSD-Karte in die Kameraeinheit einsetzen (optional).
2. Die Kabeldichtung des Netzkabels vom Kameragehäuse entfernen, siehe *Produktübersicht auf Seite 50*.
3. Die Lasche von der Dichtung abziehen und das Netzkabel mit dem mitgelieferten Verbindungsschutz durch die Kabeldichtung drücken. Das Netzkabel leicht zurückziehen, damit sich die Kabeldichtung an das Kabel anpassen kann.



### HINWEIS

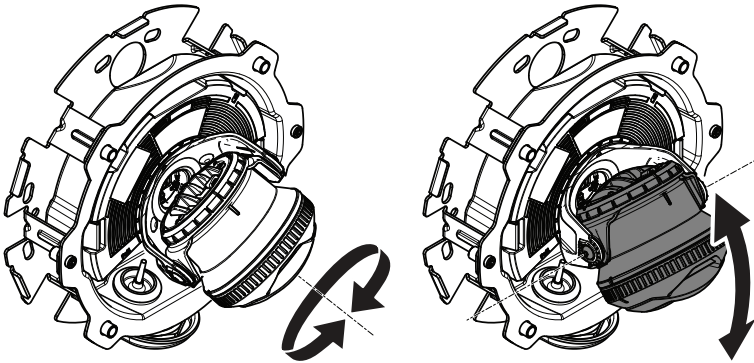
Wird das Kabel nicht zurückgezogen, kann Wasser eindringen und das Produkt beschädigen.

4. Entfernen Sie bei Verwendung eines Mehrfachanschlusskabels die andere Kabeldichtung vom Kameragehäuse.
5. Ziehen Sie die Kabel durch das Kameragehäuse und bringen Sie die Kabeldichtungen an diesem an.
6. Schließen Sie das Kabel an die Kameraeinheit an.
7. Ziehen Sie die Federn im Kameragehäuse zur Seite und setzen Sie die Kameraeinheit in dieses ein. Ziehen Sie die Kabel durch die Kabeldichtungen und kürzen Sie diese bei Bedarf.

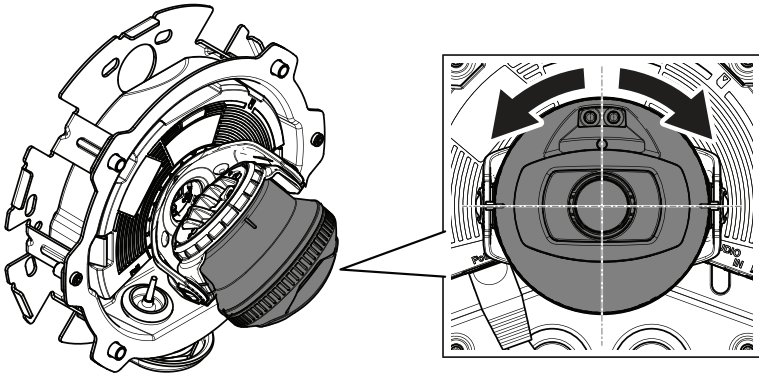


8. Wickeln Sie das überstehende Kabel entlang der Wandhalterung auf und befestigen Sie das Kameragehäuse mit den beiden Schrauben an der Wandhalterung.
9. Überprüfen Sie, ob die Kabeldichtungen ordnungsgemäß am Kameragehäuse und den Kabeln montiert sind.

## Die Kamera ausrichten

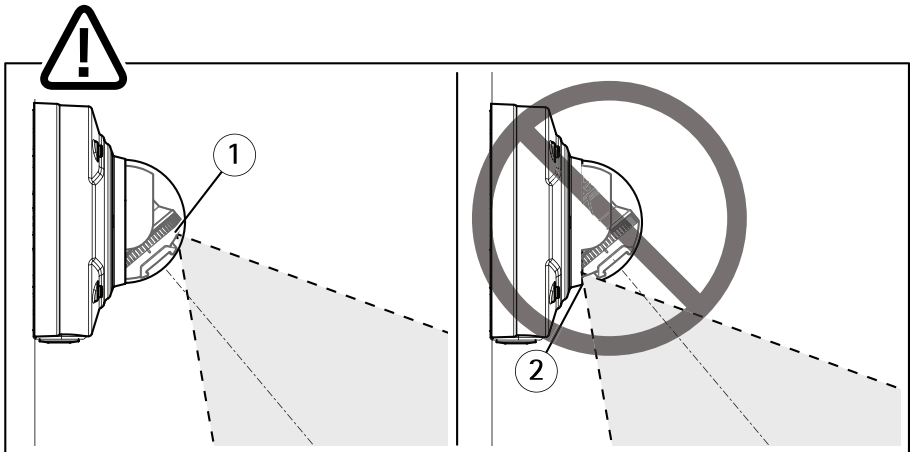


1. Die Kamera durch Einstellen der Schwenk- und Neigungswinkel ausrichten. Die Kamera kann um 360° geschwenkt und von -80° bis 80° geneigt werden.



DE

2. Die Kamera drehen, um den Winkel einzustellen. Die Kamera kann um  $\pm 175^\circ$  gedreht werden.

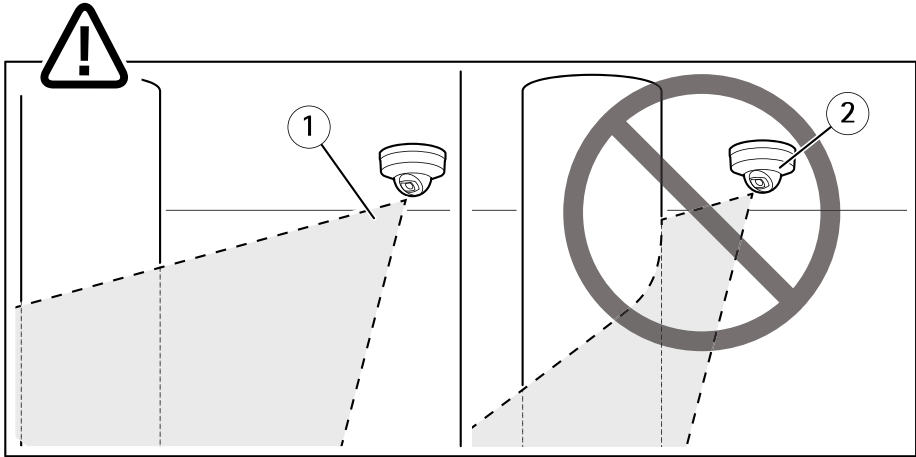


- 1 IR-LEDs ordnungsgemäß ausgerichtet
- 2 IR-LEDs durch Kuppelabdeckung verdeckt

3. Die Kuppelabdeckung auf die Kamera setzen, die Schrauben noch nicht anbringen.
4. Sicherstellen, dass die Kuppelabdeckung die IR-LEDs nicht verdeckt.

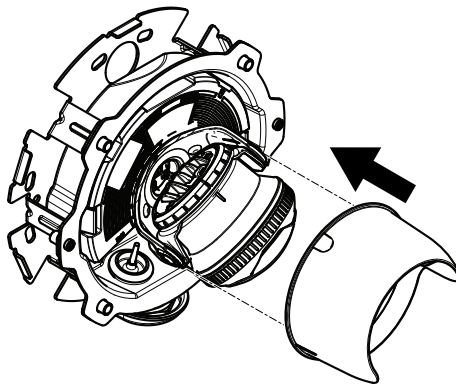
## Beachten

Die Kamera so ausrichten, dass das Licht der IR-LEDs nicht in die Kamera zurückfällt.



- 1 IR-LEDs beleuchten keine reflektierenden Oberfläche in der Nähe.
- 2 Kamera zu dicht an reflektierenden Oberflächen positioniert

## Den Sichtschutz anbringen



1. Den Sichtschutz an der Kameraeinheit anbringen.

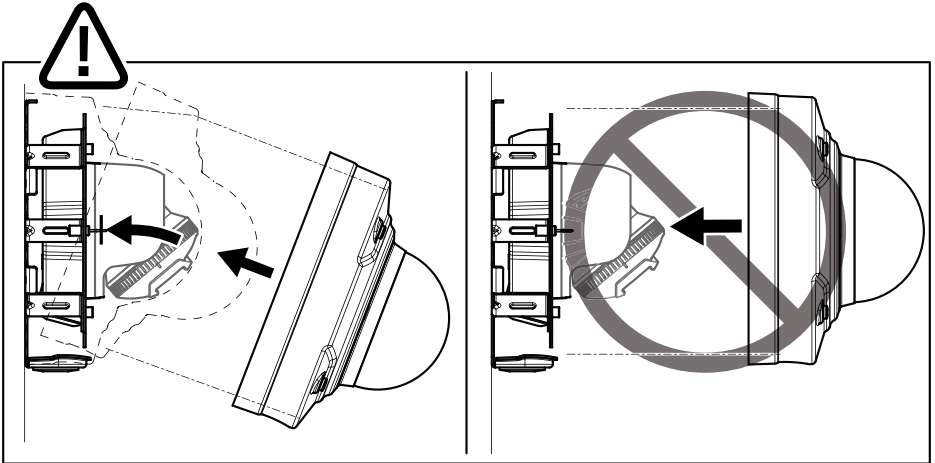
## Die Kuppelabdeckung anbringen.

1. Die Kuppelabdeckung mithilfe des Bits an der Gehäuseeinheit anbringen. Die Schrauben mit einem Drehmoment von 2 Nm anziehen.



## Beachten

Die Kuppelabdeckung in einem Winkel anbringen, um die Ausrichtung des Kameraobjektivs zu erhalten.



2. Die Schutzfolie von der Kuppelabdeckung entfernen.

## Zugriff auf das Produkt

Ermitteln Sie mit AXIS IP Utility und AXIS Device Manager die Axis-Geräte im Netzwerk und weisen Sie ihnen unter Windows® IP-Adressen zu. Beide Anwendungen sind kostenlos und können von [axis.com/support](http://axis.com/support) heruntergeladen werden.

Weitere Informationen zur Nutzung dieses Produkts finden Sie im Benutzerhandbuch auf [axis.com](http://axis.com).

## Einstellen von Fokus und Zoom

1. Auf der Produktwebseite die Registerkarte **Bild** aufrufen.
2. **Zoom** einstellen.
3. Klicken Sie auf **Autofokus**.

## Zurücksetzen auf die Werkseinstellungen

### Wichtig

Das Zurücksetzen auf die Werkseinstellungen muss mit Umsicht durchgeführt werden. Beim Zurücksetzen auf die Werkseinstellungen werden alle Einstellungen einschließlich der IP-Adresse auf die Werkseinstellungen zurückgesetzt.

So wird das Produkt auf die werksseitigen Standardeinstellungen zurückgesetzt:

1. Trennen Sie das Produkt von der Stromversorgung.
2. Halten Sie die Steuertaste gedrückt und stellen Sie die Stromversorgung wieder her. Siehe *Produktübersicht auf Seite 50*.
3. Halten Sie die Steuertaste etwa 15 bis 30 Sekunden gedrückt, bis die Status-LED gelb blinkt.
4. Lassen Sie die Steuertaste los. Der Vorgang ist abgeschlossen, wenn die Status-LED grün leuchtet. Das Produkt wurde auf die Werkseinstellungen zurückgesetzt. Wenn im Netzwerk kein DHCP-Server verfügbar ist, lautet die Standard-IP-Adresse 192.168.0.90.
5. Verwenden Sie die Software-Tools für Installation und Verwaltung, um eine IP-Adresse zuzuweisen, ein Kennwort einzurichten und auf den Videostream zuzugreifen. Die Softwaretools für die Installation und Verwaltung stehen auf den Supportseiten unter [axis.com/support](http://axis.com/support) zur Verfügung.

Die Parameter können auch über die Weboberfläche auf die Werkseinstellungen zurückgesetzt werden. Den folgenden Optionspfad aufrufen: **Settings > System > Maintenance (Einstellungen > System > Wartung)** und dann die Option **Default (Standardeinstellung)** anklicken.

## Weitere Informationen

- Die aktuelle Version dieses Dokuments finden Sie auf [axis.com](http://axis.com)
- Das Benutzerhandbuch steht auf [axis.com](http://axis.com) zur Verfügung.
- Unter [axis.com/support](http://axis.com/support) finden Sie die aktuellen Firmwareversionen für Ihr Gerät.
- Nützliches Onlinetraining und Webinare finden Sie unter [axis.com/academy](http://axis.com/academy).

## Optionales Zubehör

Eine vollständige Liste lieferbaren Zubehörs für dieses Produkt finden Sie auf [axis.com](http://axis.com) unter Produkt, Software und Zubehör.

DE

## Technische Daten

Die aktuelle Version des technischen Datenblatts für das Produkt finden Sie auf [axis.com](http://axis.com) unter **Support und Dokumentation**.

### LEDs

#### Beachten

- Die Status-LED kann so eingestellt werden, dass sie blinkt, wenn ein Ereignis aktiv ist.

LED-Statusanzeige	Bedeutung
Leuchtet nicht	Anschluss und Normalbetrieb.
Grün	Leuchtet bei Normalbetrieb nach Abschluss des Startvorgangs 10 Sekunden dauerhaft grün.
Gelb	Leuchtet beim Start. Blinkt während Firmware-Aktualisierung und Wiederherstellung der Werkseinstellungen.
Gelb/rot	Blinkt gelb/rot, wenn die Netzwerkverbindung nicht verfügbar ist oder unterbrochen wurde.

## Verhalten der LED-Statusanzeige und Summton für den Ausrichtungsassistenten

Informationen zur Verwendung der Funktionstaste bei der Ausrichtung des Bilds finden Sie unter *Seite 61*.

Halten Sie die Funktionstaste (2) zum Ausrichten der Kamera länger als 2 Sekunden gedrückt.

- Wenn die Kamera korrekt ausgerichtet ist, leuchten beide LEDs grün, und der Summton ertönt durchgehend.
- Wenn die Kamera nicht korrekt ausgerichtet ist, blinken die LEDs rot, grün und orange, und der Summton ertönt in langen Intervallen.

Beide LEDs blinken kurz grün auf, um anzuzeigen, dass sich die Ausrichtung verbessert.

## Einschub für SD-Speicherkarte

#### HINWEIS

- Gefahr von Schäden an der SD-Karte. Beim Einsetzen oder Entfernen der SD-Karte keine scharfen Werkzeuge oder Gegenstände aus Metall benutzen und keine übermäßige Kraft anwenden. Setzen Sie die Karte per Hand ein. Das Gleiche gilt für das Entfernen.
- Gefahr von Datenverlust und Beschädigung von Aufzeichnungen. Die SD-Karte darf nicht entfernt werden, während das Produkt in Betrieb ist. Erst die SD-Karte über die Produktwebseite trennen, dann ausbauen.

Dieses Axis Produkt unterstützt Karten des Typs microSD/microSDHC/microSDXC.

Für Empfehlungen zu SD-Karten siehe [axis.com](http://axis.com).

## Tasten

### Steuertaste

Zur Lage der Steuertaste, siehe *Produktübersicht auf Seite 50*.

Die Steuertaste hat folgende Funktionen:

- Zurücksetzen des Produkts auf die Werkseinstellungen. Siehe *Seite 58*.
- Anschließen an einen AXIS Video Hosting System Service Weitere Informationen zu diesem Dienst finden Sie auf [axis.com](http://axis.com).

DE

### Funktionstaste

Die Funktionstaste hat mehrere Aufgaben:

- **Nivellier-Assistent** – Diese Funktion unterstützt das Nivellieren des Bildes. Die Taste ca. 2 Sekunden lang betätigen, um den Nivellier-Assistenten zu starten. Die Taste erneut betätigen, um den Assistenten zu beenden. Die LED-Statusanzeige (siehe *Seite 60*) und der Summton unterstützen das Nivellieren des Bildes. Das Bild ist nivelliert, wenn der Summton als Dauerton erklingt.
- **Kontrolle der Status-LEDs** – Drücken Sie die Taste einmal, leuchten die Status-LEDs auf. Drücken Sie die Taste erneut, erlöschen die LEDs. Die LEDs werden nach zehn Sekunden automatisch ausgeschaltet.

## Anschlüsse

### Netzwerkanschluss

RJ45-Ethernetanschluss mit Power over Ethernet (PoE).

#### **HINWEIS**

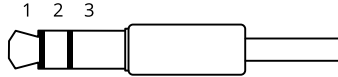
Das Produkt muss mit einem abgeschirmten Netzkabel (STP) angeschlossen werden. Alle Kabel, die das Produkt mit dem Netzwerkschalter verbinden, müssen hierfür ausgelegt sein. Stellen Sie sicher, dass die Netzwerkgeräte gemäß den Anweisungen des Herstellers installiert wurden. Informationen zu gesetzlichen Bestimmungen finden Sie unter .

### Audioanschluss

- **Audioeingang** – 3,5 mm, für ein Monomikrofon oder ein Monosignal (der linke Kanal wird von einem Stereosignal benutzt).

# AXIS Q3517-SLVE Network Camera

- **Audioausgang** – 3,5-mm-Audioausgang (Leitungspegel) zum Anschluss an eine Beschallungsanlage (PA) oder einen Aktivlautsprecher mit integriertem Verstärker. Für den Audioausgang muss ein Stereostecker verwendet werden.



## Audioeingang

1 Spitze	2 Ring	3 Hülse
Unsymmetrisches Mikrofon (mit oder ohne Elektretspeisung) oder Leitung	Elektretspeisung, sofern ausgewählt	Erdung

## Audioausgang

1 Spitze	2 Ring	3 Hülse
Kanal 1, unsymmetrische Leitung, Mono	Kanal 1, unsymmetrische Leitung, Mono	Erdung

Beim Audioeingang wird der linke Kanal von einem Stereosignal benutzt.

## E/A-Anschluss

Über den E/A-Anschluss werden externe Geräte in Verbindung mit Manipulationsalarmen, Bewegungserkennung, Ereignisauslösung, Alarmbenachrichtigungen und anderen Funktionen angeschlossen. Außer dem Bezugspunkt 0 V Gleichstrom und Strom (Gleichstromausgang) besitzt der E/A-Anschluss eine Schnittstelle zum:

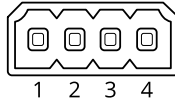
**Digitaleingang** – Zum Anschluss von Geräten, die zwischen geöffnetem und geschlossenem Schaltkreis wechseln können wie etwa PIR-Sensoren, Tür- und Fensterkontakte sowie Glasbruchmelder.

**Überwacher Eingang** – Ermöglicht das Erfassen von Manipulation an einem digitalen Eingang.

**Digitalausgang** – Zum Anschluss externer Geräte wie Relais und LEDs. Die angeschlossenen Geräte können über das VAPIX® Application Programming Interface oder über die Produktwebsite aktiviert werden.

4-poliger Anschlussblock

# AXIS Q3517-SLVE Network Camera

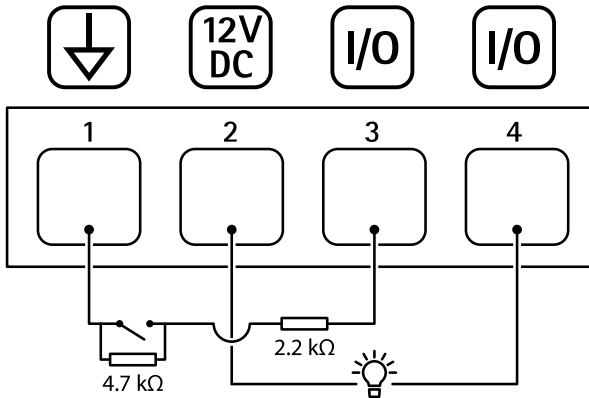


Funktion	Kontakt	Hinweise	Technische Angaben
Erdung Gleichstrom	1		0 V Gleichstrom
Gleichstromausgang	2	Darf für die Stromversorgung von Zusatzgeräten verwendet werden. Hinweis: Dieser Kontakt kann nur für den Stromausgang verwendet werden.	12 V Gleichstrom Max. Stromstärke = 50 mA
Konfigurierbar (Ein- oder Ausgang)	3-4	Digitaler Eingang oder überwachter Eingang – Zum Aktivieren an Kontakt 1 anschließen, zum Deaktivieren nicht anschließen. Um überwachten Eingang zu nutzen, Abschlusswiderstände anschließen. Informationen zum Anschließen der Widerstände bietet der Schaltplan.	0 bis max. 30 V Gleichstrom
		Digitaler Ausgang – Interne Verbindung mit Kontakt 1 (Erdschluss Gleichstrom), wenn aktiviert; unverbunden, wenn deaktiviert. Bei Verwendung mit einer induktiven Last, wie etwa einem Relais, muss zum Schutz vor Spannungssprüngen eine Diode parallel zur Last geschaltet werden.	0 bis max. 30 V Gleichstrom, Open Drain, 100 mA

DE

Beispiel

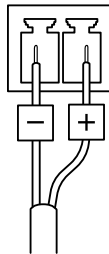
# AXIS Q3517-SLVE Network Camera



- 1 Erdung Gleichstrom
- 2 Gleichstromausgang 12 V, max. 50 mA
- 3 Als überwachter Eingang konfigurierter E/A
- 4 E/A als Ausgang konfiguriert

## Netzanschluss

2-poliger Anschlussblock für die Gleichstromversorgung. Verwenden Sie eine mit den Anforderungen für Schutzkleinspannung (SELV) kompatible Stromquelle mit begrenzter Leistung (LPS) mit einer Nennausgangsleistung von  $\leq 100$  W oder einem dauerhaft auf  $\leq 5$  A begrenzten Nennausgangsstrom.



## Betriebsbedingungen

Produkt	Klassifizierung	Temperatur	Luftfeuchtigkeit
AXIS Q3517-SLVE	IEC 60529 IP66 und IP67 Zertifizierung NEMA 250 4X	-50 °C bis +60 °C	Relative Luftfeuchtigkeit 10 bis 100 %



## Leistungsaufnahme

Produkt	Power over Ethernet (PoE)	Gleichstrom
AXIS Q3517-SLVE	IEEE 802.3af/802.3at Typ 1, Klasse 3 Normal 6,5 W Max. 12,9 W	Normal 6,9 W Max. 14,5 W



## Sicherheitsinformationen

### Gefährdungsstufen

#### **▲GEFAHR**

Weist auf eine gefährliche Situation hin, welche, falls nicht verhindert, zu Tod oder schweren Verletzungen führen kann.

#### **▲WARNUNG**

Weist auf eine gefährliche Situation hin, welche, falls nicht verhindert, zu Tod oder schweren Verletzungen führen kann.

#### **▲VORSICHT**

Weist auf eine gefährliche Situation hin, welche, falls nicht verhindert, zu geringfügiger oder mäßiger Verletzung führen kann.

#### **HINWEIS**

Weist auf eine gefährliche Situation hin, welche, falls nicht verhindert, zu Sachschäden führen kann.

DE

### Andere Meldeebenen

#### **Wichtig**

Weist auf wichtige Informationen hin, die den richtigen Betrieb des Produkts gewährleisten.

#### **Beachten**

Weist auf nützliche Informationen hin, die die optimale Verwendung des Produkts unterstützen.

## Sicherheitsanweisungen

### **⚠VORSICHT**

Achten Sie auf scharfe Metallkanten. Tragen Sie während der Installation Schnittschutzhandschuhe.

### **HINWEIS**

- Das Axis Produkt muss unter Beachtung der geltenden Gesetze und Bestimmungen betrieben werden.
- Lagern Sie das Axis Produkt in einer trockenen und belüfteten Umgebung.
- Das Produkt nicht an instabilen Masten, Halterungen, Oberflächen oder Wänden anbringen.
- Verwenden Sie bei der Installation des Axis Produkts ausschließlich passende Werkzeuge. Ein zu großer Kraftaufwand mit elektrischen Werkzeugen kann das Produkt beschädigen.
- Verwenden Sie nur Zubehör, das den technischen Vorgaben Ihres Produkts entspricht. Dieses ist von Axis oder Drittanbietern erhältlich. Axis empfiehlt die mit Ihrem Produkt kompatible Stromversorgung von Axis.
- Verwenden Sie ausschließlich Ersatzteile die von Axis angeboten oder empfohlen werden.
- Versuchen Sie nicht, dieses Produkt selbsttätig zu reparieren. Wenden Sie sich bezüglich Reparatur und Wartung an den Axis Support oder Ihren Axis Händler.

## Transport

### **HINWEIS**

- Bei Bedarf transportieren Sie das Axis Produkt in der Originalverpackung oder einer entsprechenden Verpackung, so dass Schäden vermieden werden.

## Batterie

Das Axis Produkt ist mit einer 3,0 V-CR2032-Lithium-Batterie ausgestattet, mit der die interne Echtzeituhr (RTC) versorgt wird. Unter normalen Bedingungen hat die Batterie eine Lebensdauer von mindestens fünf Jahren.

### **⚠VORSICHT**

Tauschen Sie die Batterie nicht selbst aus. Wenden Sie sich an den Axis Support, wenn die Protokollnachricht einen Batterietausch anfordert.

Lithium-Knopfzellen (3,0 V) enthalten 1,2-Dimethoxyethan; Ethylenglycoldimethylether (EGDME), CAS-Nr. 110-71-4.

## Kuppelabdeckung

### **HINWEIS**

- Achten Sie darauf, die Kuppelabdeckung weder zu zerkratzen, zu beschädigen oder darauf Fingerabdrücke zu hinterlassen, da dies die Bildqualität beeinträchtigen kann. Falls möglich entfernen Sie die Schutzfolie erst nachdem die Installation abgeschlossen ist.
- Säubern Sie die Kuppelabdeckung nicht, wenn diese sauber erscheint, und polieren Sie niemals die Oberfläche. Zu häufiges Säubern kann die Oberfläche beschädigen.
- Für die normale Reinigung der Kuppelabdeckung werden eine nicht-scheuernde, lösungsmittelfreie neutrale Seife oder ein entsprechendes Reinigungsmittel mit destilliertem Wasser und ein sauberer, weicher Lappen empfohlen. Spülen Sie die Kuppelabdeckung gründlich mit lauwarmem destilliertem Wasser ab. Um Wasserflecken zu vermeiden, die Kuppelabdeckung mit einem weichen, sauberen Lappen reinigen.
- Keine aggressiven Reinigungsmittel, Waschbenzin, Benzol, Aceton oder ähnliche Chemikalien verwenden.
- Die Kuppelabdeckung nicht in direktem Sonnenlicht oder bei erhöhten Temperaturen säubern.



## Contenuto della confezione

- AXIS Q3517-SLVE Network Camera
- Punta da cacciavite TR20
- Connettore I/O
- Connettore CC
- Protezione del connettore
- Guarnizione adesiva
- Guarnizioni per cavi aggiuntive
  - Guarnizione per cavi M20 da 5 mm (per cavo da 5 a 10 mm di diametro)
  - Kit della guarnizione per cavi M20 da 3 mm (per cavo da 3 a 5 mm di diametro)
- Documentazione
  - Guida all'installazione (il presente documento)
  - Sagoma per la foratura
  - Etichetta aggiuntiva con numero di serie (2x)
  - Chiave di autenticazione AVHS

IT

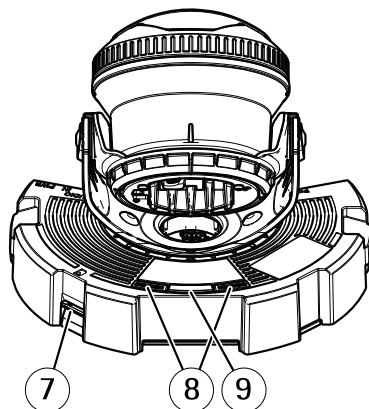
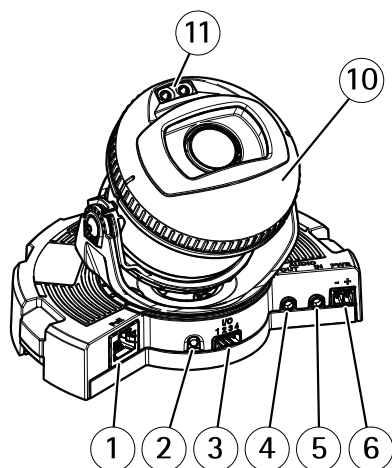
## Strumenti consigliati

### **AVVISO**

L'acciaio inossidabile è resistente alla corrosione, ma è possibile che appaia la ruggine estranea se il materiale non viene maneggiato correttamente. Utilizzare strumenti in acciaio inossidabile per evitare macchie di ruggine o la corrosione per pitting.

- Punta da cacciavite TR20 (inclusa)

## Panoramica del dispositivo

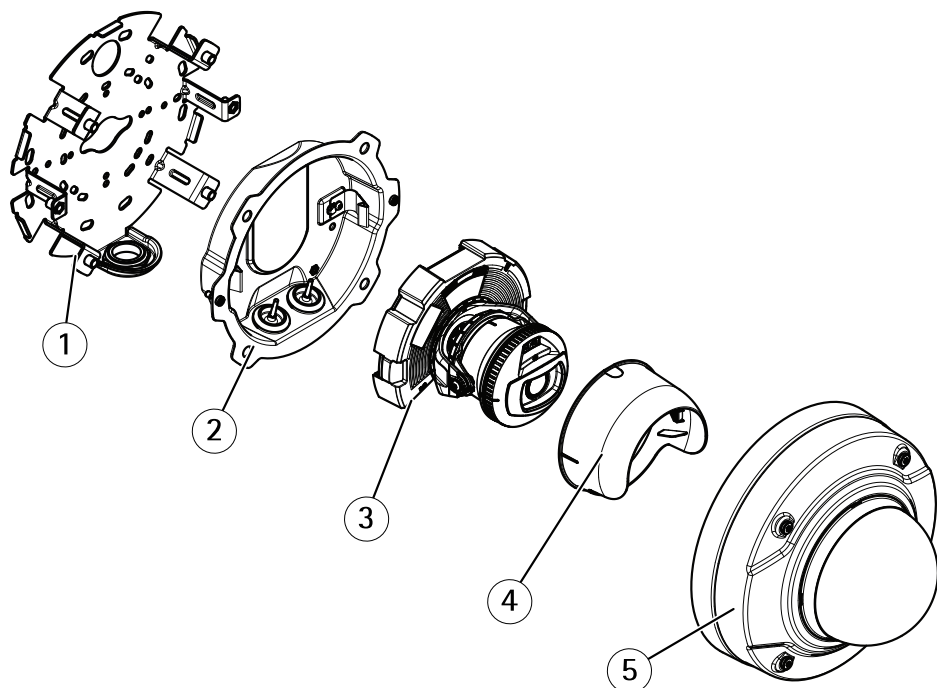


- 1 Connettore di rete
- 2 Pulsante di comando
- 3 Connettore I/O
- 4 Uscita audio
- 5 Ingresso audio
- 6 Connettore CC
- 7 Slot per scheda di memoria SD
- 8 LED di stato (2x)
- 9 Tasto Funzione
- 10 Riscaldatore
- 11 LED a infrarossi (2x)

### **ATTENZIONE**

Il riscaldatore potrebbe essere caldo.





- 1 Staffa di montaggio
- 2 Casing dell'unità
- 3 Unità telecamera
- 4 Protezione visualizzazione
- 5 Copertura a cupola

## Come installare il dispositivo

### Installazione dell'hardware

#### Staffa di montaggio

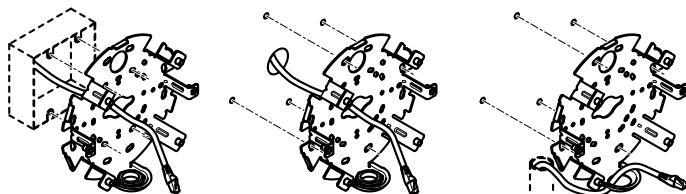
##### ⚠ATTENZIONE

Fare attenzione ai bordi metallici taglienti. Utilizzare guanti resistenti ai tagli durante l'installazione.

La staffa di montaggio è dotata di otto fori lungo il bordo che devono essere utilizzati per il fissaggio della staffa alla parete.

Per montare la staffa su una scatola di derivazione, sono disponibili i fori anche per queste opzioni di montaggio:

- Scatola di giunzione per unità doppia, a dimensioni standard USA
- Scatola di giunzione per unità singola, a dimensioni standard USA
- scatola quadrata da 4"
- scatola ottagonale da 4"



Attenersi alle procedure descritte di seguito, a seconda se si desidera utilizzare una scatola di derivazione o installare i cavi attraverso o lungo la parete.

Per montare la telecamera su una scatola di derivazione:

1. Fissare la guarnizione adesiva alla parte posteriore della staffa di montaggio.
2. Inserire nella scatola di derivazione il cavo di rete (e, se necessario, il multicavo) facendolo passare attraverso il foro sulla staffa di montaggio.
3. Fissare la staffa di montaggio alla scatola di derivazione con le viti in acciaio inossidabile appropriate.

Per installare i cavi attraverso la parete:

1. Utilizzando la sagoma per la foratura, praticare 4 fori per montare la staffa e un foro per installare i cavi nella parete.
2. Fissare la guarnizione adesiva alla parte posteriore della staffa di montaggio.

3. Inserire nella parete il cavo di rete (e, se necessario, il multicavo) facendolo passare attraverso il foro sulla staffa di montaggio.
4. Fissare la staffa di montaggio alla parete utilizzando le viti in acciaio inossidabile appropriate.

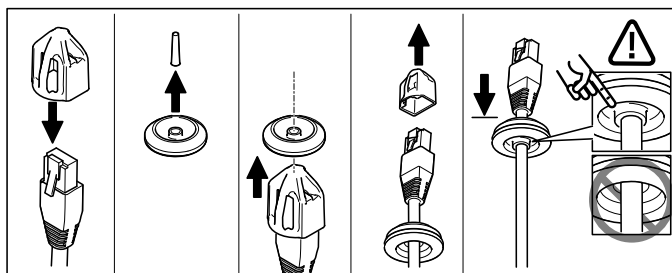
Per installare i cavi lungo la parete e nei fori laterali sulla staffa di montaggio:

1. Fissare la guarnizione adesiva alla parte posteriore della staffa di montaggio.
2. Svitare il connettore dal foro laterale nella staffa di montaggio.
3. Inserire nel tubo protettivo il cavo di rete (e, se necessario, il Multicable) facendolo passare attraverso il foro sulla staffa di montaggio.
4. Fissare la staffa di montaggio alla parete utilizzando le viti in acciaio inossidabile appropriate.
5. Fissare il tubo protettivo alla staffa di montaggio.

IT

## Collegamento dei cavi e fissaggio della telecamera alla staffa di montaggio

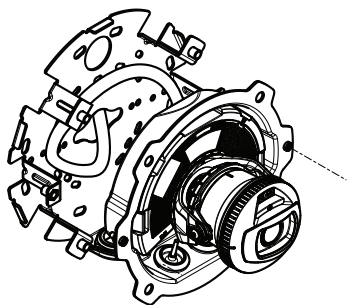
1. Inserire la scheda microSD nell'unità telecamera (opzionale).
2. Rimuovere la guarnizione del cavo di rete dal casing dell'unità, vedere *Panoramica del dispositivo alla pagina 72*.
3. Tirare la linguetta della guarnizione per rimuoverla, spingere il cavo di rete attraverso la guarnizione utilizzando la protezione del connettore fornita. Tirare delicatamente il cavo di rete in modo da adattare la guarnizione al cavo.



### AVVISO

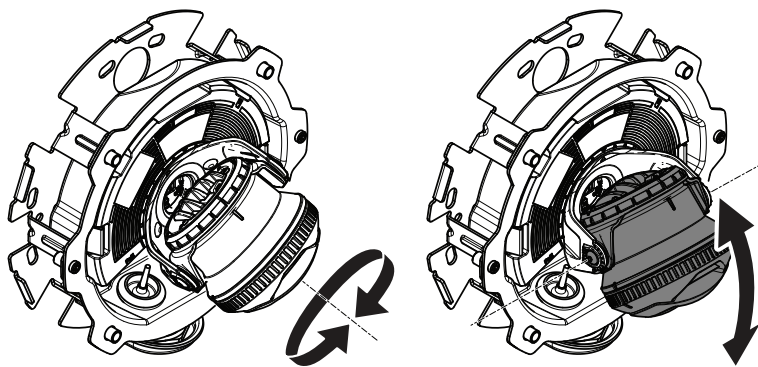
Se il cavo non viene tirato potrebbero verificarsi infiltrazioni d'acqua e danni al dispositivo.

4. Se si utilizza un cavo multiplo, rimuovere l'altra guarnizione del cavo dal casing dell'unità ed eliminarla.
5. Tirare i cavi attraverso il casing dell'unità e fissare le guarnizioni dei cavi al casing dell'unità.
6. Collegare i cavi all'unità telecamera.
7. Allontanare le molle del casing dell'unità e fissare l'unità telecamera al casing dell'unità, tirando i cavi attraverso le guarnizioni per ridurne la lunghezza secondo le necessità.

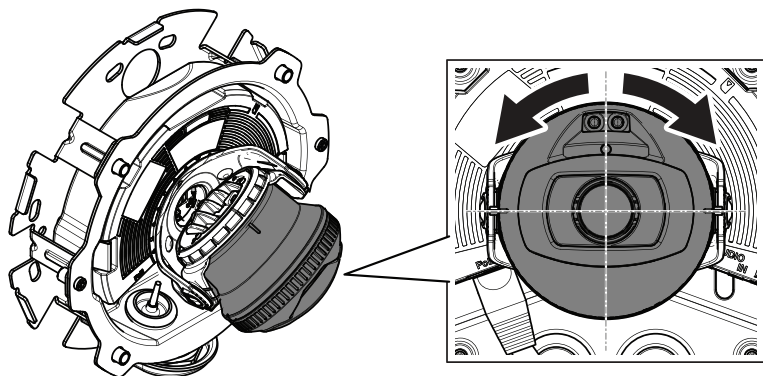


8. Avvolgere la lentezza del cavo lungo la staffa di montaggio e fissare il casing dell'unità alla staffa di montaggio con due viti.
9. Verificare che le guarnizioni dei cavi siano montate correttamente sul casing dell'unità e sui cavi.

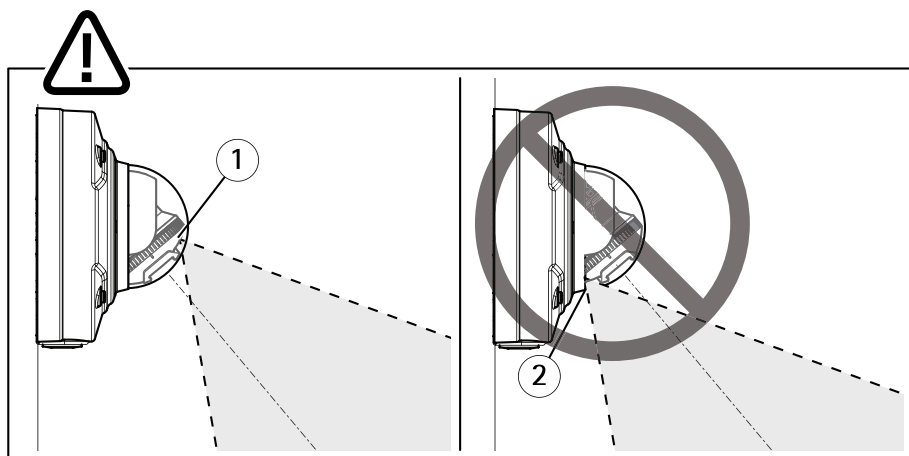
### Regolazione dell'angolo della telecamera



1. Inclinare e ruotare la telecamera per regolarne l'angolo. La telecamera può ruotare di 360° e può inclinarsi da -80° a 80°.



2. Ruotare la telecamera per regolare l'angolo. La telecamera può ruotare di  $\pm 175^\circ$ .

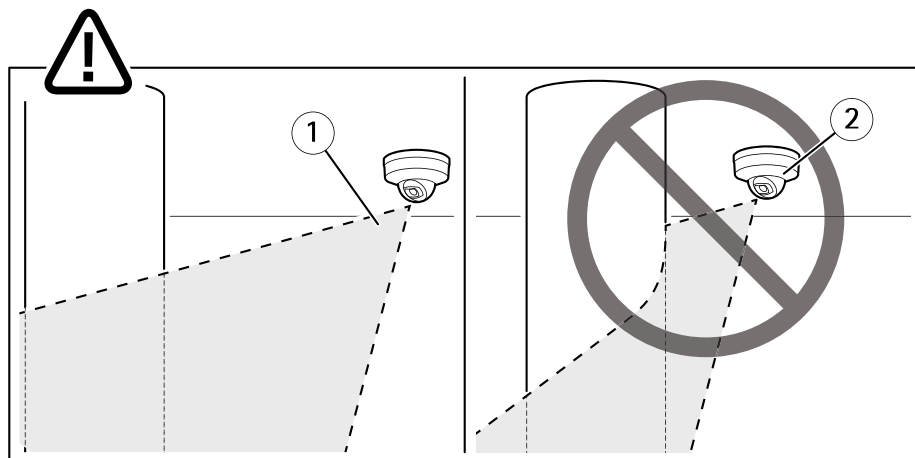


- 1 LED a infrarossi posizionati correttamente.
- 2 LED a infrarossi bloccati dalla copertura a cupola.

3. Posizionare la copertura a cupola sulla telecamera senza collegare le viti.
4. Verificare che i LED a infrarossi non siano bloccati dalla copertura a cupola.

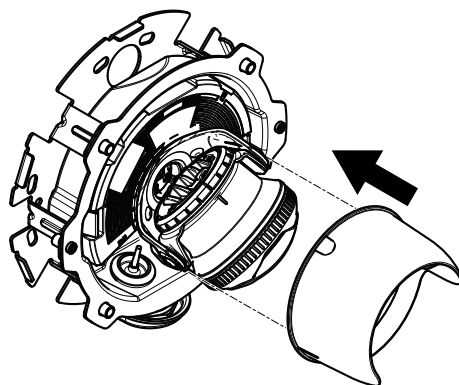
## Nota

È importante posizionare la telecamera ad un angolo in modo che la luce dei LED a infrarossi non si rifletta sulla telecamera.



- 1 LED a infrarossi che non illuminano nelle vicinanze riflettendo sulla superficie.
- 2 Telecamera posizionata troppo vicino per riflettere la superficie.

### Fissaggio della protezione della visualizzazione



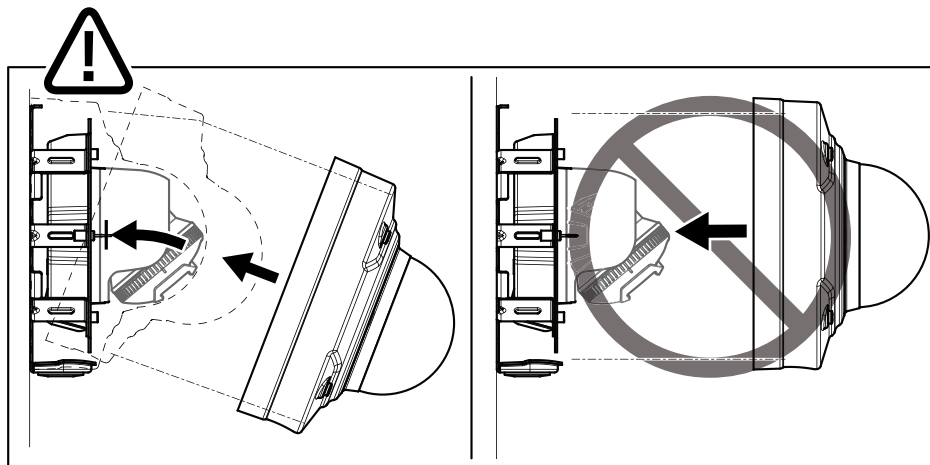
1. Fissare la protezione della visualizzazione all'unità telecamera.

### Fissaggio della copertura a cupola

1. Fissare la copertura a cupola al casing dell'unità con la punta da cacciavite fornita. Serrare le viti con serraggio 2 Nm.

## Nota

Fissare la copertura a cupola ad un angolo per mantenere la posizione dell'obiettivo della telecamera.



IT

2. Rimuovere la pellicola protettiva dalla copertura a cupola.

## Modalità di accesso al dispositivo

Per trovare i dispositivi Axis sulla rete e assegnare loro un indirizzo IP in Windows®, utilizza AXIS IP Utility o AXIS Device Manager. Queste applicazioni sono entrambe gratuite e possono essere scaricate dal sito Web [axis.com/support](http://axis.com/support)

Per ulteriori informazioni sull'utilizzo del dispositivo, consultare il Manuale per l'utente disponibile sul sito Web all'indirizzo: [axis.com](http://axis.com)

## Modalità di regolazione della messa a fuoco e dello zoom

1. Andare alla scheda **Image (Immagine)** sulla pagina Web del dispositivo.
2. Regolare la funzione **Zoom**.
3. Fare clic su **Autofocus (Messa a fuoco automatica)**.

### Ripristino delle impostazioni predefinite di fabbrica

#### Importante

Il ripristino dei valori predefiniti di fabbrica deve essere effettuato con cautela. Tale operazione consentirà di ripristinare i valori predefiniti di fabbrica per tutte le impostazioni, incluso l'indirizzo IP.

Per ripristinare il dispositivo ai valori predefiniti di fabbrica:

1. Scollegare l'alimentazione dal dispositivo.
2. Tenere premuto il pulsante di comando quando si ricollega l'alimentazione. Vedere *Panoramica del dispositivo alla pagina 72*.
3. Tenere premuto il pulsante di comando per 15-30 secondi finché l'indicatore LED di stato non lampeggia in giallo.
4. Rilasciare il pulsante di comando. Il processo è completo quando l'indicatore del LED di stato diventerà verde. Il dispositivo è stato reimpostato alle impostazioni di fabbrica predefinite. Se nessun server DHCP è disponibile sulla rete, l'indirizzo IP predefinito è 192.168.0.90.
5. Utilizzare gli strumenti per l'installazione e la gestione del software per assegnare un indirizzo IP, impostare la password e accedere al flusso video.

Gli strumenti per l'installazione e la gestione del software sono disponibili nelle pagine dedicate all'assistenza sul sito Web [axis.com/support](http://axis.com/support).

È anche possibile reimpostare i valori predefiniti di fabbrica dei parametri mediante l'interfaccia Web. Andare in **Settings > System > Maintenance (Impostazioni > Sistema > Manutenzione)** e fare clic su **Default (Predefinito)**.



## Ulteriori Informazioni

- Per la versione più recente di questo documento, visitare il sito all'indirizzo [axis.com](http://axis.com)
- Il manuale per l'utente è disponibile all'indirizzo [axis.com](http://axis.com)
- Per verificare se sono stati pubblicati aggiornamenti del firmware per il proprio dispositivo, vedere [axis.com/support](http://axis.com/support)
- Per servizi di formazione utili e webinar, visita il sito [axis.com/academy](http://axis.com/academy)

## Accessori opzionali

Per un elenco completo degli accessori disponibili per questo dispositivo, andare alla pagina del dispositivo al sito [axis.com](http://axis.com) e selezionare Software e accessori.

## Specifiche

Per la versione più aggiornata della scheda tecnica del dispositivo, visitare il sito Web [axis.com](http://axis.com) e trovare la sezione **Support & Documentation (Supporto e documentazione)**.

### Indicatori LED

#### Nota

- Il LED di stato può essere configurato per lampeggiare quando è attivo un evento.

LED di stato	Indicazione
Spento	Connessione e funzionamento normale.
Verde	Luce verde fissa per 10 secondi per il normale funzionamento una volta completato l'avvio.
Giallo	Luce fissa durante l'avvio. Lampeggia durante l'aggiornamento del firmware o il ripristino delle impostazioni predefinite.
Giallo/rosso	Lampeggia in giallo/rosso se il collegamento di rete non è disponibile o è stato perso.

### Comportamento del LED di stato e del segnale acustico per l'Assistente di livellamento

Per informazioni sul tasto Funzione utilizzato per il livellamento dell'immagine, vedere *pagina 83*.

Per posizionare orizzontalmente la telecamera, tenere premuto il tasto Funzione (2) per più di due secondi.

- Quando la telecamera è in posizione orizzontale, entrambi gli indicatori LED emettono una luce verde fissa e il segnale acustico è continuo.
- Quando la telecamera non è in posizione orizzontale, i LED lampeggiano ed emettono una luce rossa, verde e arancione e il segnale acustico viene emesso a intervalli brevi.

Entrambi i LED emettono brevemente una luce verde lampeggiante a indicare che il livellamento sta migliorando.

### Slot per schede di memoria

#### **AWISO**

- Rischio di danneggiamento della scheda di memoria SD. Non utilizzare strumenti appuntiti oppure oggetti metallici e non esercitare eccessiva forza durante l'inserimento o la rimozione della scheda di memoria. Utilizzare le dita per inserire e rimuovere la scheda.

- Rischio di perdita di dati e danneggiamento delle registrazioni. Non rimuovere la scheda di memoria mentre il dispositivo è in funzione. Scollegare la scheda di memoria dalle pagine Web del dispositivo prima di rimuoverla.

Questo dispositivo supporta schede microSD/microSDHC/microSDXC.

Visitare [axis.com](http://axis.com) per i consigli sulla scheda di memoria.

## Pulsanti

### Pulsante di comando

Per l'ubicazione del pulsante di comando, vedere *Panoramica del dispositivo alla pagina 72*.

Il pulsante di comando viene utilizzato per:

- Ripristinare le impostazioni predefinite di fabbrica del dispositivo. Vedere *pagina 80*.
- Collegarsi a un servizio AXIS Video Hosting System. Per ulteriori informazioni su questo servizio, vedere il sito [axis.com](http://axis.com)

### Tasto Funzione

Il tasto Funzione può essere utilizzato per più finalità:

- **Assistente di livellamento** – Questa funzione consente di garantire che l'immagine sia in posizione orizzontale. Premere il pulsante per circa 2 secondi per avviare l'Assistente di livellamento, premerlo nuovamente per interrompere la funzione. Il LED di stato (consultare *pagina 82*) e il segnale acustico sono di ausilio nel livellamento dell'immagine. L'immagine è in posizione orizzontale quando il segnale acustico è continuo.
- **Per visualizzare il LED di stato** – Premere il pulsante una volta per accendere i LED di stato. Premerlo di nuovo per spegnerli. I LED si spegneranno in modo automatico dopo 10 secondi.

## Connettori

### Connettore di rete

Connettore Ethernet RJ45 con Power over Ethernet (PoE+).

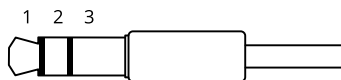
#### **AVVISO**

Il dispositivo deve essere collegato tramite un cavo di rete schermato (STP). Tutti i cavi che collegano il dispositivo alla rete sono destinati al loro uso specifico. Accertarsi che i dispositivi di rete siano installati secondo le istruzioni del produttore. Per maggiori informazioni sui requisiti normativi, consultare .

# AXIS Q3517-SLVE Network Camera

## Connettore audio

- **Ingresso audio:** ingresso da 3,5 mm per un microfono mono o un segnale mono line-in (il canale sinistro viene utilizzato da un segnale stereo).
- **Uscita audio:** 3,5 mm (di linea) che è possibile collegare a un sistema di indirizzo pubblico (PA) o a un altoparlante con amplificatore integrato. Per l'uscita audio è necessario utilizzare un connettore stereo.



### Input audio

1 Punta	2 Anello	3 Guaina
Microfono non bilanciato (con o senza alimentazione a elettrete) o linea	Alimentazione a elettrete se selezionata	Massa

### Output audio

1 Punta	2 Anello	3 Guaina
Canale 1, linea non bilanciata, mono	Canale 1, linea non bilanciata, mono	Massa

Per l'ingresso audio, il canale sinistro viene utilizzato da un segnale stereo.

## Connettore I/O

Utilizzare il connettore I/O con dispositivi esterni in combinazione con, ad esempio, rilevamento movimento, attivazione di eventi e notifiche di allarme. Oltre al punto di riferimento 0 V CC e all'alimentazione (output CC), il connettore I/O fornisce l'interfaccia per:

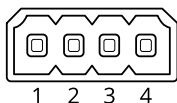
**Ingresso digitale** – Per il collegamento di dispositivi che possono passare da un circuito chiuso ad uno aperto, ad esempio i sensori PIR, i contatti porta/finestra e i rilevatori di rottura.

**Ingresso supervisionato** – Consente di rilevare le manomissioni su un ingresso digitale.

**Uscita digitale** – Per il collegamento di dispositivi esterni come relè e LED. I dispositivi collegati possono essere attivati tramite l'API (interfaccia per la programmazione di applicazioni) VAPIX® oppure dalla pagina Web del dispositivo.

Morsettiera a 4 pin

## AXIS Q3517-SLVE Network Camera

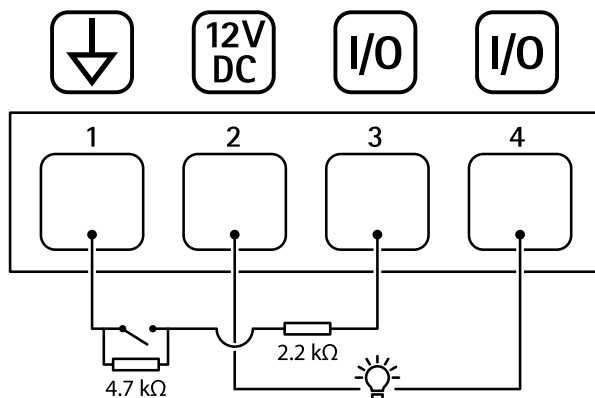


Funzione	Pin	Note	Specifiche
Terra CC	1		0 V CC
Uscita CC	2	Può essere utilizzato per alimentare una periferica ausiliaria. Nota: questo pin può essere usato solo come uscita alimentazione.	12 V CC Carico massimo = 50 mA
Configurabile (ingresso o uscita)	3-4	Ingresso digitale o ingresso supervisionato - collegarlo al pin 1 per attivarlo oppure lasciarlo isolato (scollegato) per disattivarlo. Per utilizzare l'ingresso supervisionato, installare resistori terminali. Vedere il diagramma di connessione per informazioni su come collegare i resistori.	da 0 a max 30 V CC
		Uscita digitale: collegato internamente al pin 1 (terra CC) quando attivo e isolato (scollegato) quando inattivo. Se utilizzata con un carico induttivo, ad esempio un relè, collegare un diodo in parallelo al carico per proteggere il dispositivo da sovratensioni.	Da 0 a max 30 V CC, open-drain, 100 mA

IT

Esempio

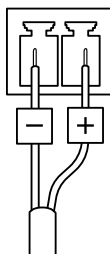
# AXIS Q3517-SLVE Network Camera



- 1 Terra CC
- 2 Uscita CC 12 V, max 50 mA
- 3 I/O configurato come ingresso supervisionato
- 4 I/O configurato come uscita

## Connettore di alimentazione

Morsettiera a 2 pin per ingresso alimentazione CC. Utilizzare una sorgente di alimentazione limitata (LPS) compatibile con una bassissima tensione di sicurezza (SELV) con una potenza di uscita nominale limitata a  $\leq 100$  W o una corrente nominale di uscita limitata a  $\leq 5$  A.



## Condizioni di funzionamento

Dispositivo	Classificazione	Temperatura	Umidità
AXIS Q3517-SLVE	IEC 60529 IP66 e IP67 Classe NEMA 250 4X	Da -50 °C a 60 °C (da -58 °F a 140 °F)	10-100% umidità relativa

## Consumo energetico

Dispositivo	Power over Ethernet (PoE)	CC
AXIS Q3517-SLVE	IEEE 802.3af/802.3at tipo 1, classe 3 Tipico 6,5 W Max 12,9 W	Tipico 6,9 W Max 14,5 W





## Informazioni di sicurezza

### Livelli di pericolo

#### **▲PERICOLO**

Indica una situazione pericolosa che, se non evitata, provoca morte o lesioni gravi.

#### **▲AVVERTENZA**

Indica una situazione pericolosa che, se non evitata, potrebbe provocare la morte o lesioni gravi.

#### **▲ATTENZIONE**

Indica una situazione pericolosa che, se non evitata, potrebbe provocare lesioni medie o minori.

#### **AWISO**

Indica una situazione che, se non evitata, potrebbe danneggiare la proprietà.

IT

### Altri livelli di messaggio

#### **Importante**

Indica informazioni importanti, essenziali per il corretto funzionamento del dispositivo.

#### **Nota**

Indica informazioni utili che aiutano a ottenere il massimo dal dispositivo.

## Informazioni di sicurezza

### **⚠ATTENZIONE**

Fare attenzione ai bordi metallici taglienti. Utilizzare guanti resistenti ai tagli durante l'installazione.

### **AWISO**

- Il dispositivo Axis deve essere utilizzato in conformità alle leggi e alle normative locali.
- Conservare il dispositivo Axis in un ambiente asciutto e ventilato.
- Non installare il dispositivo su supporti, superfici, pareti o pali instabili.
- Utilizzare solo strumenti applicabili quando si installa il dispositivo Axis. Se si utilizza una forza eccessiva con strumenti non adatti è possibile causare danni al dispositivo.
- Utilizzare solo accessori compatibili con le specifiche tecniche del dispositivo. Questi possono essere forniti da Axis o da terze parti. Axis consiglia l'uso dell'apparecchiatura di alimentazione Axis compatibile con il dispositivo.
- Utilizzare solo parti di ricambio fornite o consigliate da Axis.
- Non tentare di riparare il dispositivo da soli. Contattare l'assistenza o il rivenditore Axis per questioni relative alla manutenzione.

## Trasporto

### **AWISO**

- Durante il trasporto del dispositivo Axis, utilizzare l'imballaggio originale o equivalente per evitare danni al dispositivo.

## Batteria

Il dispositivo Axis utilizza una batteria al litio da 3 V CR2032 come alimentazione per il suo orologio in tempo reale (RTC) interno. In condizioni normali questa batteria avrà una durata minima di cinque anni.

### **⚠ATTENZIONE**

Non sostituire la batteria da soli. Contattare l'assistenza di Axis se il messaggio di registro richiede una sostituzione della batteria.

Le batterie a bottone al litio da 3 V contengono 1,2-dimetossietano; etere dimetilico di glicole etilenico (EGDME), CAS n. 110-71-4.

## Copertura a cupola

### **AVVISO**

- Fare attenzione a non graffiare, danneggiare o lasciare impronte sulla cupola di protezione, perché potrebbe diminuire la qualità dell'immagine. Se possibile, tenere la protezione in plastica sul coperchio della cupola fino a quando l'installazione non sarà completata.
- Non pulire il coperchio della cupola quando allo sguardo sembra pulito e non lucidare la superficie. Una pulizia eccessiva potrebbe danneggiare la superficie.
- Per la pulizia generale del coperchio della cupola, si consiglia di utilizzare un sapone neutro o detergente non abrasivo con acqua pura e un panno morbido e pulito. Sciacquare bene con acqua pura tiepida. Asciugare con un panno morbido e pulito per evitare macchie d'acqua.
- Non usare mai detersivi aggressivi, benzina, benzene, acetone o sostanze chimiche simili.
- Evitare di pulire il coperchio della cupola alla luce diretta del sole o a temperature elevate.



## Contenido del paquete

- AXIS Q3517-SLVE Network Camera
- Broca TR20
- Conector E/S
- Conector de CC
- Protector del conector
- Junta adhesiva
- Juntas de cable adicionales
  - Junta de cable M20 5 mm (para cables con diámetro de 5-10 mm)
  - Kit de juntas M20 3 mm (para cables con diámetro de 3-5 mm)
- Materiales impresos
  - Guía de instalación (este documento)
  - Plantilla de perforado
  - Etiquetas adicionales con el número de serie (2)
  - Clave de autenticación AVHS

ES

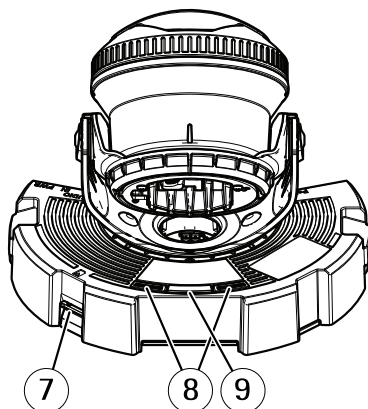
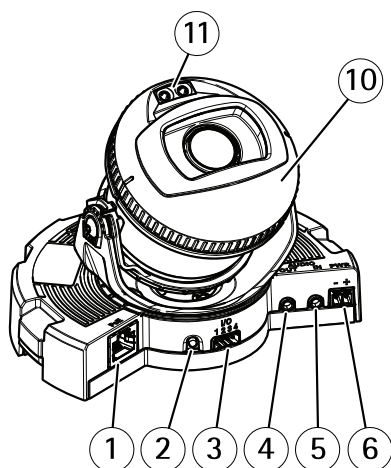
## Herramientas recomendadas

### **AVISO**

El acero inoxidable es resistente a la corrosión, pero puede aparecer óxido externo si el material se manipula de forma incorrecta. Utilice herramientas de acero inoxidable para evitar la aparición de óxido y la corrosión por picadura.

- Broca TR20 (incluida)

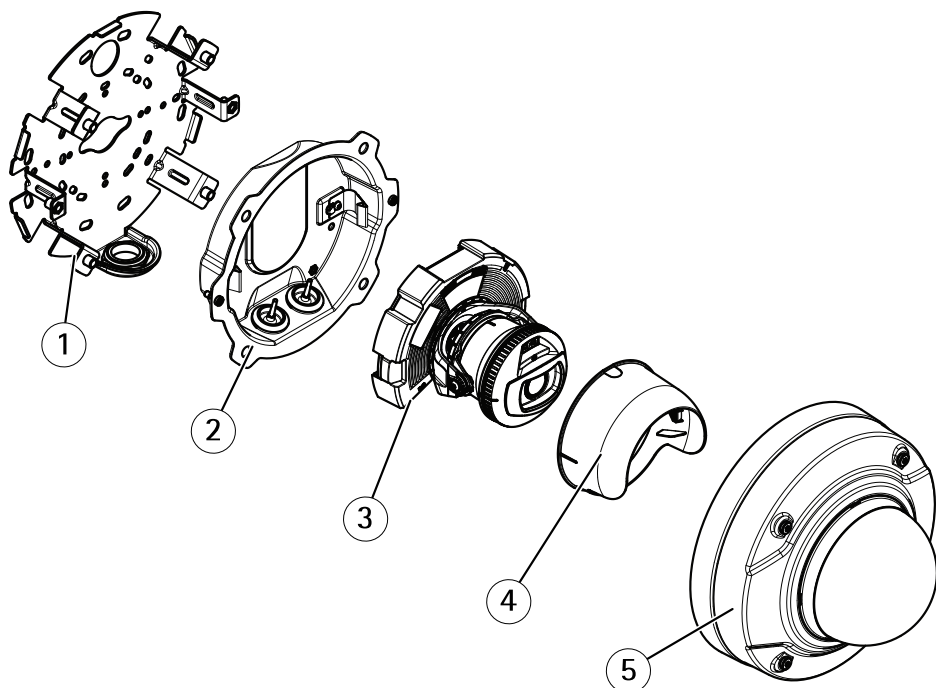
## Información general del producto



- 1 Conector de red
- 2 Botón de control
- 3 Conector de E/S
- 4 Salida de audio
- 5 Entrada de audio
- 6 Conector de CC
- 7 Ranura para tarjetas SD
- 8 LED de estado (2)
- 9 Botón de función
- 10 Calefactor
- 11 LED IR (2)

### **⚠ ATENCIÓN**

El calefactor puede estar caliente.



ES

- 1 Soporte de montaje
- 2 Carcasa de la unidad
- 3 Unidad de cámara
- 4 Protector visual
- 5 Cubierta del domo

## Cómo instalar el producto

### Instalación del hardware

#### Soporte de montaje

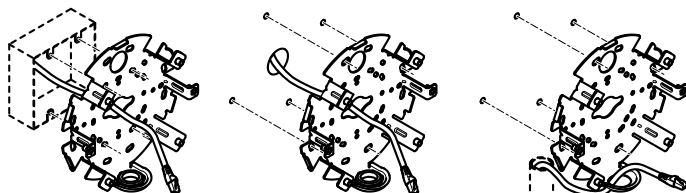
##### **⚠ ATENCIÓN**

Tenga cuidado con los bordes metálicos afilados. Utilice guantes resistentes a los cortes durante la instalación.

El soporte de montaje tiene ocho orificios en el borde que deben utilizarse para sujetar el soporte a la pared.

Si va a montar el soporte en una caja de conexiones, también incluye orificios para las siguientes opciones de montaje:

- Caja de conexiones de salida doble de tamaño estándar para EE. UU.
- Caja de conexiones de salida única de tamaño estándar para EE. UU.
- Caja cuadrada de 10,16 cm
- Caja octogonal de 10,16 cm



En función de si desea utilizar una caja de conexiones o tender los cables a través o a lo largo de la pared, siga las instrucciones correspondientes que aparecen a continuación.

Para instalar la cámara en una caja de conexiones:

1. Fije la junta adhesiva a la parte posterior del soporte de montaje.
2. Pase el cable de red (y el multicable si fuese necesario) a través de la caja de conexiones y del orificio en el soporte de montaje.
3. Fije el soporte de montaje a la caja de conexiones con los tornillos inoxidable adecuados.

Para colocar los cables a través de la pared:

1. Utilice la plantilla de perforado para hacer cuatro orificios para instalar el soporte y uno para pasar el cable a través de la pared.
2. Fije la junta adhesiva a la parte posterior del soporte de montaje.



3. Pase el cable de red (y el multicable si fuese necesario) a través de la pared y del orificio en el soporte de montaje.
4. Fije el soporte de montaje a la pared con los tornillos inoxidable adecuados.

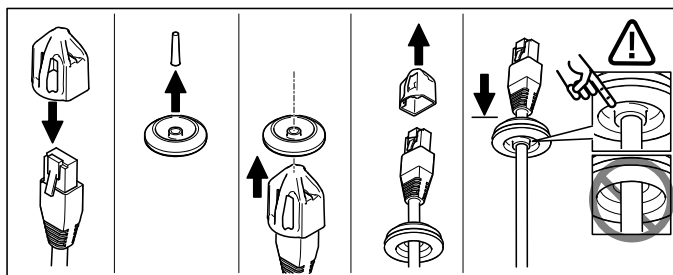
Para guiar los cables a lo largo de la pared y a través del orificio lateral del soporte de montaje:

1. Fije la junta adhesiva a la parte posterior del soporte de montaje.
2. Desenrosque el tapón del orificio lateral del soporte de montaje.
3. Pase el cable de red (y el multicable si fuese necesario) a través del conducto y del orificio en el soporte de montaje.
4. Fije el soporte de montaje a la pared con los tornillos inoxidable adecuados.
5. Fije el conducto al soporte de montaje.

## Conexión de los cables y fijación de la cámara al soporte de montaje

1. Inserte la tarjeta microSD en la unidad de la cámara (opcional).
2. Retire la junta del cable de red de la carcasa de la unidad, consulte *Información general del producto en la página 94*.
3. Tire de la pestaña de la junta para retirarla y utilice el protector del conector facilitado para empujar el cable de red a través de la junta. Tire del cable de red hacia atrás suavemente de manera que la junta de cable se ajuste en el cable.

ES



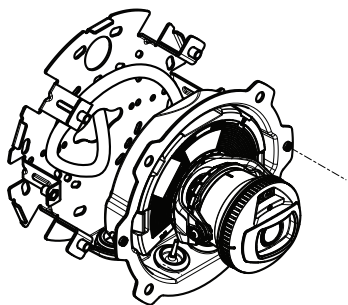
### AVISO

Si no se tira del cable hacia atrás, podría filtrarse agua y dañar el producto.

4. Con un multicable, retire la otra junta del cable de la carcasa de la unidad y deséchela.
5. Haga pasar los cables a través de la carcasa de la unidad y fije las juntas del cable a la carcasa.
6. Conecte los cables a la cámara.
7. Separe los muelles de la carcasa de la unidad y fije la unidad de la cámara a la carcasa de la unidad, tirando de los cables a través de las juntas de cable para acortarlos según sea necesario.

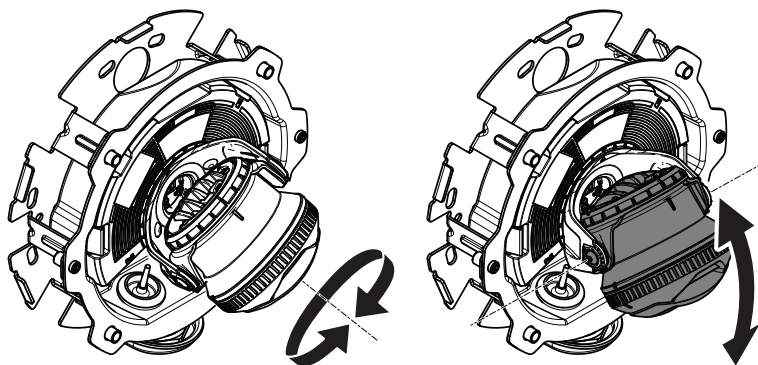
## AXIS Q3517-SLVE Network Camera

---

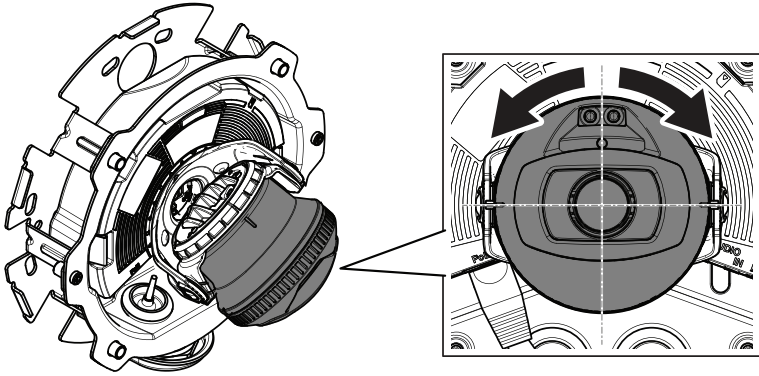


8. Enrolle el cable sobrante en el soporte de montaje y fije la carcasa de la unidad en el soporte de montaje con los dos tornillos.
9. Compruebe que las juntas de cable han quedado montadas correctamente con respecto a la carcasa de la unidad y los cables.

### Ajuste del ángulo de la cámara

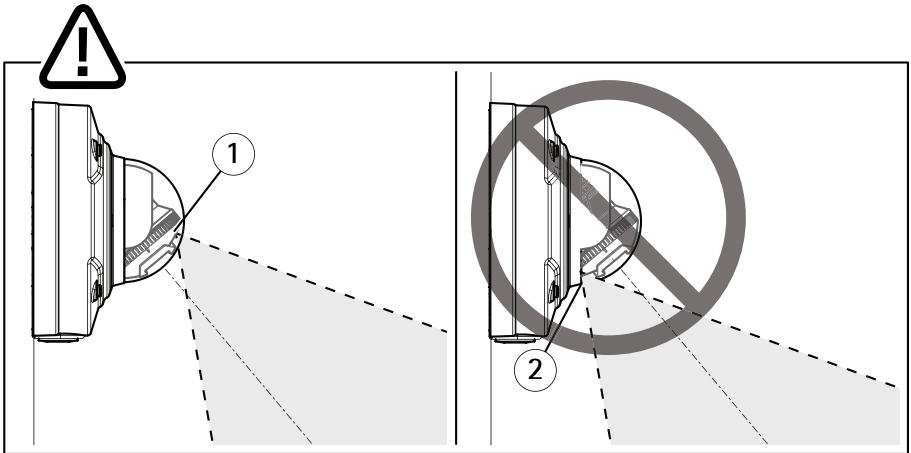


1. Mueva la cámara en horizontal y vertical para ajustar el ángulo. La cámara puede moverse 360° en horizontal y de -80° a 80° en vertical.



2. Gire la cámara para ajustar el ángulo. La cámara puede girar  $\pm 175^\circ$ .

ES

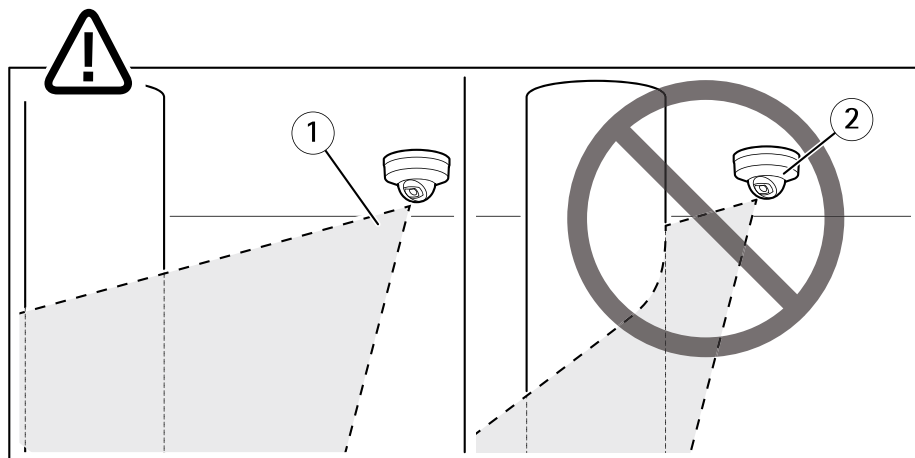


- 1 *LED IR colocados correctamente.*
- 2 *LED IR bloqueados por la cubierta del domo.*

3. Coloque la cubierta del domo sobre la cámara sin fijar los tornillos.
4. Compruebe que los LED IR no estén bloqueados por la cubierta del domo.

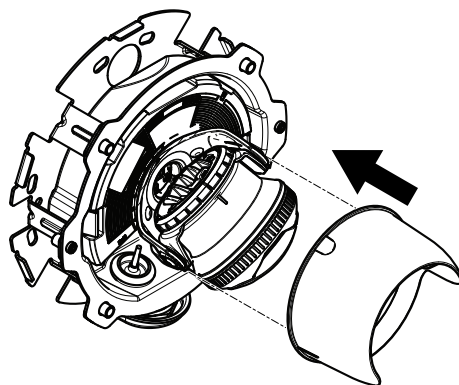
## Nota

Es importante colocar la cámara en un ángulo de manera que la luz de los LED IR no se refleje en la cámara.



- 1 LED IR no iluminando cerca de la superficie reflectante.
- 2 Cámara colocada demasiado cerca de la superficie reflectante.

## Colocación del protector visual



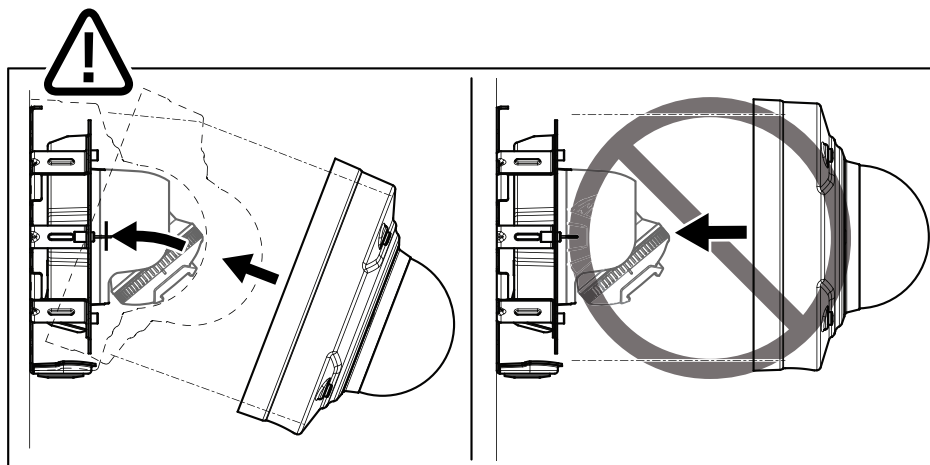
1. Fije el protector visual a la unidad de la cámara.

## Colocación de la cubierta del domo

1. Fije la cubierta del domo a la carcasa de la unidad con la broca suministrada. Apriete los tornillos con un par de 2 Nm.

## Nota

Fije la cubierta del domo en un ángulo que mantenga la posición del objetivo de la cámara.



ES

2. Retire la película protectora de la cubierta del domo.

## Cómo acceder al producto

Para localizar dispositivos de Axis en la red y asignarles direcciones IP en Windows®, utilice AXIS IP Utility o AXIS Device Manager. Ambas aplicaciones son gratuitas y pueden descargarse desde [axis.com/support](http://axis.com/support)

Para obtener más información sobre el uso del producto, consulte el manual del usuario, disponible en [axis.com](http://axis.com).

## Cómo ajustar el enfoque y el zoom

1. Vaya a la pestaña Image (Imagen) en la página web del producto.
2. Ajuste el Zoom.
3. Haga clic en Autofocus (Enfoque automático).

### Restablecimiento a la configuración predeterminada de fábrica

#### Importante

Es preciso tener cuidado si se va a restablecer la configuración predeterminada de fábrica. Todos los valores, incluida la dirección IP, se restablecerán a la configuración predeterminada de fábrica.

Para restablecer el producto a la configuración predeterminada de fábrica:

1. Desconecte la alimentación del producto.
2. Mantenga pulsado el botón de control mientras vuelve a conectar la alimentación. Consulte *Información general del producto en la página 94*.
3. Mantenga pulsado el botón de control durante 15-30 segundos hasta que el indicador LED de estado parpadee en ámbar.
4. Suelte el botón de control. El proceso finaliza cuando el indicador LED de estado se pone verde. El producto se ha restablecido a la configuración predeterminada de fábrica. Si no hay ningún servidor DHCP disponible en la red, la dirección IP predeterminada será 192.168.0.90.
5. Utilice las herramientas del software de instalación y gestión para asignar una dirección IP, establecer la contraseña y acceder a la transmisión de vídeo.

Las herramientas de software de instalación y gestión están disponibles en las páginas de servicio técnico en [axis.com/support](http://axis.com/support).

También es posible restablecer los parámetros a los valores predeterminados de fábrica mediante la interfaz web. Vaya a **Settings > System > Maintenance (Ajustes > Sistema > Mantenimiento)** y haga clic en **Default (Predeterminado)**.

## Más información

- Para consultar la versión más reciente de este documento, vaya a [axis.com](http://axis.com).
- El manual de usuario se encuentra disponible en [axis.com](http://axis.com).
- Para comprobar si existe un firmware actualizado disponible para su dispositivo, vaya a [axis.com/support](http://axis.com/support).
- Para consultar webinars y cursos en línea que pueden resultarle útiles, vaya a [axis.com/academy](http://axis.com/academy).

## Accesorios opcionales

Para conocer una lista completa de los accesorios disponibles para este producto, vaya a la página [axis.com](http://axis.com) y seleccione Software y accesorios.

## Especificaciones

Para acceder a la versión más reciente de la hoja de datos del producto, visite la página del producto en [axis.com](http://axis.com) y localice **Support & Documentation (Soporte técnico y documentación)**.

### Indicadores LED

#### Nota

- El LED de estado se puede configurar para que parpadee cuando haya un evento activo.

LED de estado	Indicación
Apagado	Conexión y funcionamiento normal.
Verde	Fijo en verde durante 10 segundos para indicar un funcionamiento normal después de completar el inicio.
Ámbar	Fijo durante el inicio. Parpadea en verde durante la actualización del firmware o el restablecimiento a la configuración predeterminada de fábrica.
Ámbar/rojo	Parpadea en ámbar/rojo si la conexión a la red no está disponible o se ha perdido.

### Comportamiento del indicador LED de estado y la señal del avisador acústico con el Asistente de nivelación

Para obtener información sobre el botón de función que se usa para nivelar la imagen, consulte *página 105*.

Mantenga pulsado el botón de función (2) durante más de dos segundos para nivelar la cámara.

- Cuando la cámara esté nivelada, ambos LED se iluminan en verde fijo y el avisador acústico emite un sonido continuo.
- Si no está nivelada, los LED parpadean en rojo, verde y naranja y el sonido se emite en intervalos lentos.

Los dos LED parpadean brevemente en verde para indicar que la nivelación está mejorando.

### Ranura para tarjetas SD

#### AVISO

- Riesgo de daños en la tarjeta SD. No emplee herramientas afiladas, objetos de metal ni demasiada fuerza al insertar o extraer la tarjeta SD. Utilice los dedos para insertar o extraer la tarjeta.



- Riesgo de pérdida de datos y grabaciones dañadas. No extraiga la tarjeta SD mientras el producto esté en funcionamiento. Desinstale la tarjeta SD desde la página web de producto antes de retirarla.

Este producto admite tarjetas microSD/microSDHC/microSDXC.

Para conocer las recomendaciones sobre tarjetas SD, consulte [axis.com](http://axis.com).

## Botones

### Botón de control

Para conocer la ubicación del botón de control, consulte *Información general del producto en la página 94*.

El botón de control se utiliza para lo siguiente:

- Restablecer el producto a la configuración predeterminada de fábrica. Consulte *página 102*.
- Conectarse a un servicio AXIS Video Hosting System. Para obtener más información acerca de este servicio, visite [axis.com](http://axis.com)

ES

### Botón de función

El botón de función tiene diversas utilidades:

- **Como asistente de nivelación:** Esta función ayuda a garantizar que la imagen esté nivelada. Presione el botón durante 2 segundos aproximadamente para iniciar el asistente de nivelación y vuelva a presionarlo para detenerlo. El indicador LED de estado (consulte *página 104*) y la señal del avisador acústico ayudan a nivelar la imagen. La imagen está nivelada cuando el avisador acústico emite un sonido continuo.
- **Para ver el LED de estado:** Pulse el botón una vez para iluminar los LED de estado. Púlselo de nuevo para apagarlos. Los LED se apagarán automáticamente después de 10 segundos.

## Conectores

### Conector de red

Conector Ethernet RJ45 con alimentación a través de Ethernet (PoE).

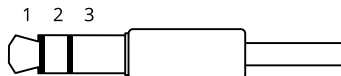
#### **AVISO**

El producto se conectará mediante un cable de red blindado (STP). Todos los cables que conecten el producto a la red deberán estar blindados para su uso específico. Asegúrese de que los dispositivos de red estén instalados de conformidad con las instrucciones del fabricante. Para obtener información sobre los requisitos normativos, vea .

# AXIS Q3517-SLVE Network Camera

## Conector de audio

- **Entrada de audio** – Entrada de 3,5 mm para micrófono mono, o entrada de línea de señal mono (se usa el canal izquierdo de una señal estéreo).
- **Salida de audio:** Salida para audio (nivel de línea) de 3,5 mm que se puede conectar a un sistema de megafonía pública o a un altavoz con amplificador incorporado. Debe utilizarse un conector estéreo para la salida de audio.



### Entrada de audio

1 Punta	2 Anillo	3 Manguito
Micrófono no balanceado (con o sin alimentación de electret) o línea	Alimentación de electret si está seleccionada	Tierra

### Salida de audio

1 Punta	2 Anillo	3 Manguito
Canal 1, línea no balanceada, mono	Canal 1, línea no balanceada, mono	Tierra

En el caso de la entrada de audio, se utiliza el canal izquierdo de una señal estéreo.

## Conector de E/S

Utilice el conector de E/S con dispositivos externos en combinación con detección de movimiento, activación de eventos y notificaciones de alarma, por ejemplo. Además del punto de referencia de 0 V CC y la alimentación (salida de CC), el conector de E/S ofrece una interfaz para:

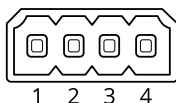
**Entrada digital** – Conectar dispositivos que puedan alternar entre circuitos cerrados y abiertos, por ejemplo, sensores PIR, contactos de puertas y ventanas o detectores de cristales rotos.

**Entrada supervisada** – Permite detectar la manipulación de una señal digital.

**Salida digital** – Conectar dispositivos externos como relés y LED. Los dispositivos conectados se pueden activar mediante la interfaz de programación de aplicaciones VAPIX® o desde la página web del producto.

## AXIS Q3517-SLVE Network Camera

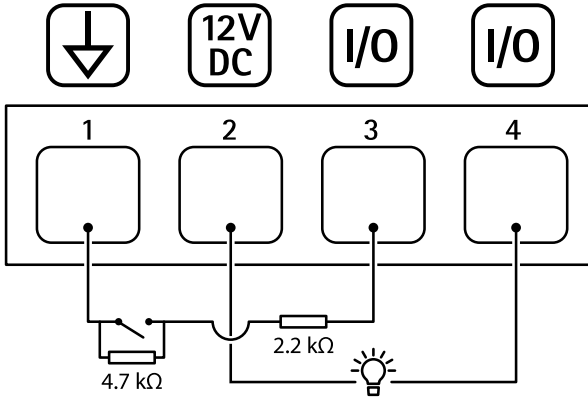
Bloque de terminales de 4 pines



Función	Pin	Notas	Especificaciones
Tierra CC	1		0 V CC
Salida de CC	2	Se puede utilizar para conectar el equipo auxiliar. Nota: Este pin solo se puede utilizar como salida de alimentación.	12 V CC Carga máx. = 50 mA
Configurable (entrada o salida)	3–4	Entrada digital o entrada supervisada: conéctela al pin 1 para activarla, o bien déjela suelta (sin conectar) para desactivarla. Para usar la entrada supervisada, instale las resistencias de final de línea. Consulte el diagrama de conexiones para obtener información sobre cómo conectar las resistencias.	De 0 a 30 V CC máx.
		Salida digital: conectada internamente a pin 1 (tierra CC) cuando está activa; y suelta (desconectada), cuando está inactiva. Si se utiliza con una carga inductiva, por ejemplo, un relé, conecte un diodo en paralelo a la carga como protección contra transitorios de tensión.	De 0 a 30 V CC máx., colector abierto, 100 mA

ES

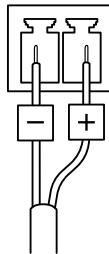
Ejemplo



- 1 Tierra CC
- 2 Salida de CC 12 V, 50 mA máx.
- 3 E/S configurada como entrada supervisada
- 4 E/S configurada como salida

## Conector de alimentación

Bloque de terminales de 2 pines para la entrada de alimentación de CC. Use una fuente de alimentación limitada (LPS) que cumpla los requisitos de seguridad de baja tensión (SELV) con una potencia nominal de salida limitada a  $\leq 100$  W o una corriente nominal de salida limitada a  $\leq 5$  A.



## Condiciones de funcionamiento

Producto	Clasificación	Temperatura	Humedad
AXIS Q3517-SLVE	IEC 60529 IP66 e IP67 Clasificación NEMA 250 4X	De -50 °C a 60 °C	Humedad relativa del 10 al 100 %

## Consumo de energía

Producto	Alimentación a través de Ethernet (PoE)	CC
AXIS Q3517-SLVE	IEEE 802.3af/802.3at Tipo 1, Clase 3 6,5 W típicos 12,9 W máx.	6,9 W típicos 14,5 W máx.



## Información de seguridad

### Niveles de peligro

#### **▲PELIGRO**

Indica una situación peligrosa que, si no se evita, provocará lesiones graves o la muerte.

#### **▲ADVERTENCIA**

Indica una situación peligrosa que, si no se evita, puede provocar lesiones graves o la muerte.

#### **▲ATENCIÓN**

Indica una situación peligrosa que, si no se evita, puede provocar lesiones moderadas o leves.

#### **AVISO**

Indica una situación peligrosa que, si no se evita, puede provocar daños materiales.

ES

### Otros niveles de mensaje

#### Importante

Indica información importante que es fundamental para que el producto funcione correctamente.

#### Nota

Indica información útil que ayuda a aprovechar el producto al máximo.

## Instrucciones de seguridad

### **⚠ ATENCIÓN**

Tenga cuidado con los bordes metálicos afilados. Utilice guantes resistentes a los cortes durante la instalación.

### **AVISO**

- Este producto de Axis debe utilizarse de acuerdo con las leyes y normativas locales.
- Almacene el producto de Axis en un entorno seco y ventilado.
- No instale el producto en postes, soportes, superficies o paredes inestables.
- Utilice solo las herramientas correspondientes cuando instale el producto de Axis. La aplicación de una fuerza excesiva con herramientas eléctricas puede provocar daños en el producto.
- Utilice solo accesorios que cumplan con las especificaciones técnicas de su producto. Estos accesorios los puede proporcionar Axis o un tercero. Axis recomienda utilizar un equipo de suministro de alimentación de Axis compatible con su producto.
- Utilice solo piezas de repuesto proporcionadas o recomendadas por Axis.
- No intente reparar el producto usted mismo. Póngase en contacto con el servicio de asistencia técnica de Axis o con su distribuidor de Axis para tratar asuntos de reparación.

## Transporte

### **AVISO**

- Cuando transporte el producto de Axis, utilice el embalaje original o un equivalente para evitar daños en el producto.

## Batería

Este producto de Axis utiliza una batería de litio CR2032 de 3,0 V como fuente de alimentación del reloj interno en tiempo real. En condiciones normales, esta batería durará un mínimo de cinco años.

### **⚠ ATENCIÓN**

No sustituya la batería usted mismo. Póngase en contacto con el servicio de asistencia técnica de Axis si el mensaje de registro solicita un cambio de batería.

Las pilas de botón de litio de 3,0 V contienen 1,2-dimetoxietano; éter dimetilico de etilenglicol (EGDME), n.º CAS 110-71-4.



## Cubierta del domo

### **AVISO**

- Preste atención para no arañar, dañar o dejar las huellas en la cubierta del domo, puesto que esto puede provocar una disminución de la calidad de imagen. Si es posible, mantenga el plástico de protección en la cubierta del domo hasta que se complete la instalación.
- No limpie la cubierta del domo si parece a simple vista que está limpia y nunca pule la superficie. Una limpieza excesiva podría dañar la superficie.
- Para realizar un procedimiento de limpieza general de la cubierta del domo se recomienda usar detergente o jabón neutros, sin disolventes y no abrasivos mezclados con agua pura, y un paño suave y limpio. Enjuague bien con agua pura y tibia. Seque con un paño limpio y suave para evitar las manchas de gotas de agua.
- Nunca use detergentes abrasivos, gasolina, benceno, acetona o productos químicos similares.
- Evite limpiar la cubierta del domo a temperaturas elevadas o en contacto directo con la luz solar.



## パッケージの内容

- AXIS Q3517-SLVE Network Camera
- スクリュービットTR20
- I/Oコネクタ
- DCコネクタ
- コネクタガード
- 粘着ガasket
- 予備のケーブルガasket
  - ケーブルガasket M20、5 mm (ケーブル直径5~10 mm用)
  - ガasketキット M20、3 mm (ケーブル直径3~5 mm用)
- 印刷物
  - インストールガイド (本書)
  - ドリルテンプレート
  - 予備のシリアル番号ラベル×2
  - AVHS認証キー

JA

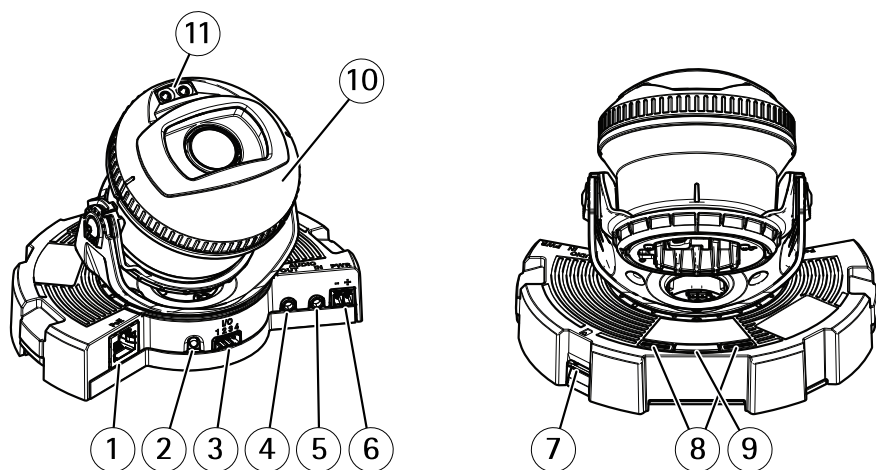
## 推奨ツール

### 注記

ステンレススチールには耐腐食性がありますが、材質の取り扱いを誤ると、外側がさびる可能性があります。さび汚れや孔食を防ぐには、ステンレス製の工具を使用してください。

- スクリュービットTR20 (付属品)

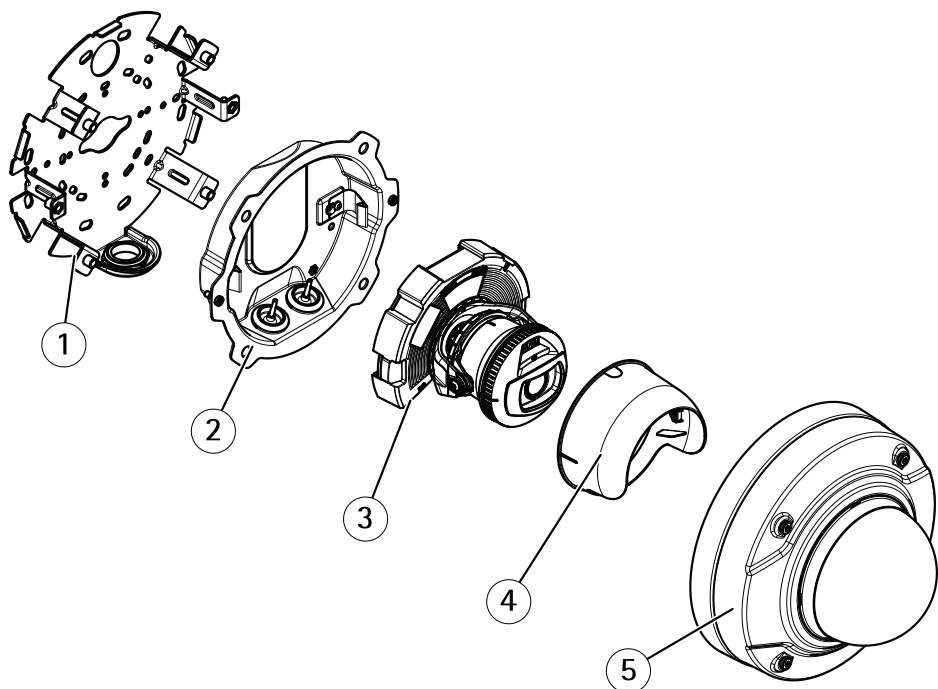
## 製品の概要



- 1 ネットワークコネクタ
- 2 コントロールボタン
- 3 I/Oコネクタ
- 4 音声出力
- 5 音声入力
- 6 DCコネクタ
- 7 SDカードスロット
- 8 ステータスLED (×2)
- 9 機能ボタン
- 10 ヒーター
- 11 IR LED (×2)

### ▲注意

ヒーターは高温になることがあります。



JA

- 1 取付ブラケット
- 2 ユニットケーシング
- 3 カメラユニット
- 4 ビュープロテクター
- 5 ドームカバー

## 製品の取り付け方法

### ハードウェアのインストール

#### 取付ブラケット

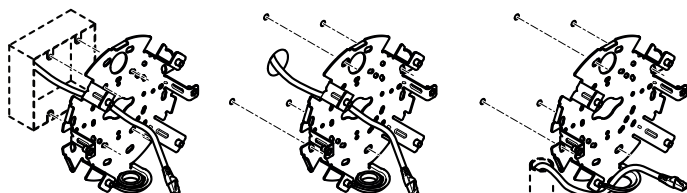
##### ▲注意

鋭利な金属エッジに注意してください。取り付け時は耐切創手袋を使用してください。

取り付けブラケットにはエッジに沿って8つの穴があり、ブラケットを壁に取り付けるのに使用します。

ブラケットをジャンクションボックスに取り付けるために、次の取り付けオプションも使用できます。

- 標準サイズの米国ダブルギャングジャンクションボックス
- 標準サイズの米国シングルギャングジャンクションボックス
- 4インチの正方形ボックス
- 4インチの八角形ボックス



ケーブルを、ジャンクションボックスを使用するか、壁に沿って配線します。以下の該当する手順に従ってください。

ジャンクションボックスにカメラを取り付ける方法は次のとおりです。

1. 接着ガasketを取付ブラケットの背面に取り付けます。
2. ネットワークケーブルを(必要に応じて、マルチケーブルも)ジャンクションボックスと取り付けブラケットの穴を通して配線します。
3. 適切なステンレス製ネジを使用して、取り付けブラケットをジャンクションボックスに取り付けます。

壁の中を通して配線する場合は、以下の手順を実行します。

1. ドリルテンプレートを使用して、ブラケット取り付け用に穴を4つ、壁の中にケーブルを配線するための穴を1つ開けます。
2. 接着ガasketを取付ブラケットの背面に取り付けます。

3. ネットワークケーブルを (必要に応じて、マルチケーブルも) 壁と取り付けブラケットの穴を通して配線します。
4. 適切なステンレス製ネジを使用して、取り付けブラケットを壁に取り付けます。

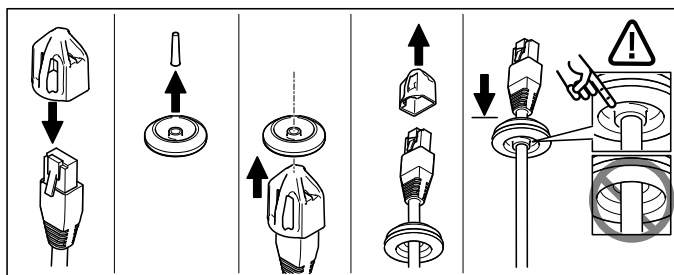
ケーブルを壁に沿わせ、取り付けブラケットのサイドホールを通して配線する方法は次のとおりです。

1. 接着ガasketを取付ブラケットの背面に取り付けます。
2. 取り付けブラケットのサイドホールからプラグを取り外します。
3. ネットワークケーブルを (必要に応じて、マルチケーブルも) コンジットと取り付けブラケットの穴を通して配線します。
4. 適切なステンレス製ネジを使用して、取り付けブラケットを壁に取り付けます。
5. 取り付けブラケットにコンジットを取り付けます。

## ケーブルの接続と取り付けブラケットへのカメラの取り付け

1. microSDカードをカメラユニットに挿入します (オプション)。
2. ユニットケーシングからネットワークケーブルのケーブルガasketを取り外します (116ページの、製品の概要を参照)。
3. ガasketのタブを引っ張って取り外し、付属のコネクタガードを使用して、ガasketを通してネットワークケーブルを押し込みます。ネットワークケーブルを少し手前に引き、ケーブルガasketをケーブルにぴったりと合わせます。

JA



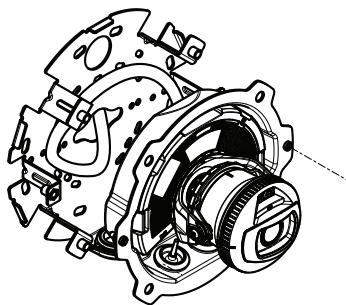
### 注記

ケーブルを引いて手前に戻さないと、浸水して製品が損傷するおそれがあります。

4. マルチケーブルを使用している場合は、ユニットケーシングから他のケーブルガasketを取り外して破棄します。
5. ユニットケーシングを通してケーブルを引き、ケーブルガasketをユニットケーシングに取り付けます。

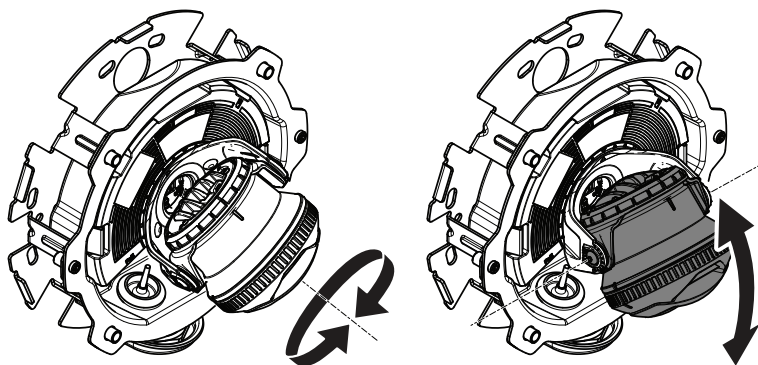
## AXIS Q3517-SLVE Network Camera

6. ケーブルをカメラユニットに接続します。
7. ユニットケーシング内のスプリングを横に引いてカメラユニットをユニットケーシングに取り付け、ケーブルガasketを通してケーブルを引き、必要に応じて短くします。



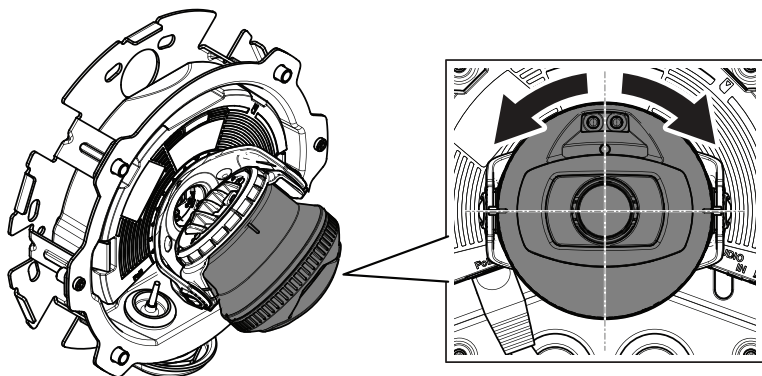
8. 取り付けブラケットに沿ってケーブルのたるみを巻き上げ、2本のネジでユニットケーシングを取り付けブラケットに取り付けます。
9. ケーブルガasketがユニットケーシングとケーブルに正しく取り付けられていることを確認します。

### カメラアングルの調整

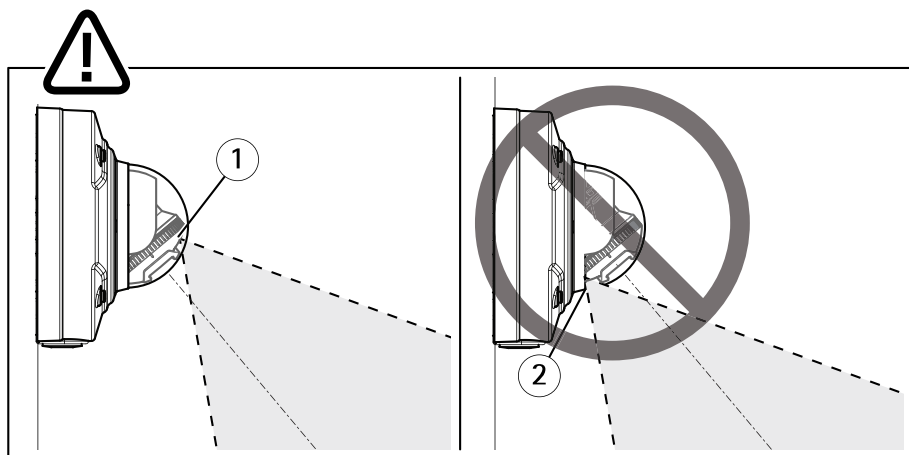


1. カメラのパンとチルトを行い、角度を調整します。本カメラは360°のパンと-80°～80°のチルトを行うことができます。





2. カメラの回転を行い、角度を調整します。本カメラは±175°の回転を行うことができます。

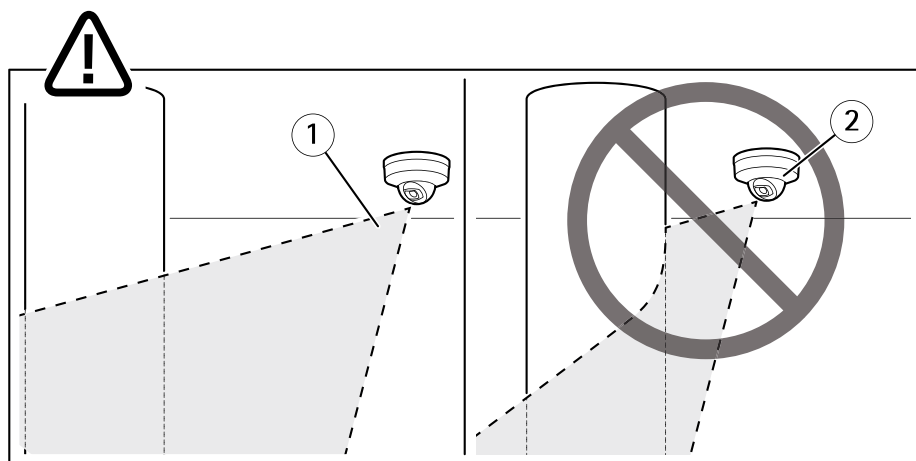


- 1 IR LEDが正しい位置に設置されています。
- 2 IR LEDがドームカバーによって妨害されています。

3. ネジを取り付けずにドームカバーをカメラにかぶせます。
4. IR LEDがドームカバーによって妨害されないことを確認します。

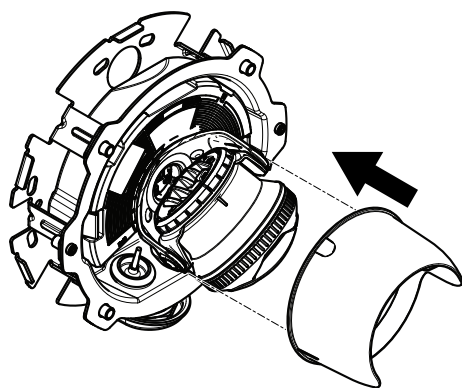
## 注意

IR LEDからの光がカメラに反射しない角度にカメラを設置することは重要です。



- 1 IR LEDは近くの反射面に照射していません。
- 2 カメラの位置が反射面に近すぎます。

## ビュープロテクターの取り付け



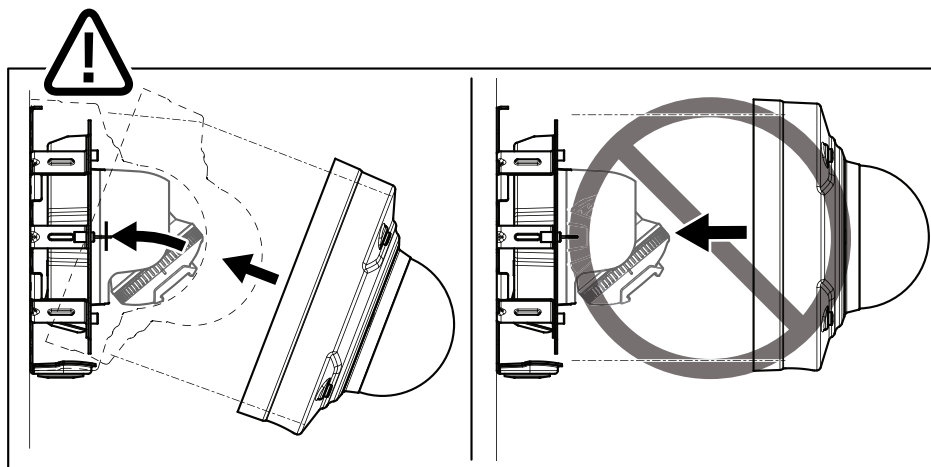
1. ビュープロテクターをカメラユニットに取り付けます。

## ドームカバーの取り付け

1. 付属のスクリュービットを使用して、ドームカバーをユニットケーシングに取り付けます。2 Nmのトルクでネジを締めます。

## 注意

カメラレンズの位置を保つ角度にドームカバーを取り付けます。



JA

2. ドームカバーから保護フィルムを取り除きます。

## 製品のアクセス方法

Windows®でネットワーク上のAxisデバイスを見つけて、それらにIPアドレスを割り当てるには、AXIS IP UtilityまたはAXIS Device Managerを使用します。いずれのアプリケーションも無料で、[axis.com/support](http://axis.com/support)からダウンロードできます。

製品の使用の詳細については、Axisのホームページ ([axis.com](http://axis.com)) でユーザーズマニュアルを参照してください

## フォーカスとズームの調整方法

1. 本製品のWebページで [Image (画像)] タブを表示します。
2. ズームを調整します。
3. [Autofocus (オートフォーカス)] をクリックします。

## 工場出荷時の設定にリセットする

### 重要

工場出荷時の設定へのリセットは慎重に行ってください。工場出荷時の設定へのリセットを行うと、IPアドレスを含むすべての設定が工場出荷時の値にリセットされます。

本製品を工場出荷時の設定にリセットするには、以下の手順を実行します。

1. 本製品の電源を切ります。
2. コントロールボタンを押した状態で電源を再接続します。116ページの、*製品の概要*を参照してください。
3. ステータスLEDインジケーターがオレンジ色に点滅するまで、コントロールボタンを15～30秒間押し続けます。
4. コントロールボタンを離します。プロセスが完了すると、ステータスLEDが緑色に変わります。これで本製品は工場出荷時の設定にリセットされました。ネットワーク上に利用可能なDHCPサーバーがない場合、デフォルトのIPアドレスは192.168.0.90になります。
5. インストールおよび管理ソフトウェアツールを使用して、IPアドレスの割り当て、パスワードの設定、ビデオストリームへのアクセスを行います。  
*axis.com/support*のサポートページに、インストールおよび管理ソフトウェアツールが用意されています。

Webインターフェースを使用して、各種パラメーターを工場出荷時の設定に戻すこともできます。**Settings > System > Maintenance (設定 > システム > メンテナンス)**を選択し、**Default (デフォルト)**をクリックします。

## 関連情報

- 本書の最新バージョンについては、[axis.com](http://axis.com)にアクセスしてください。
- ユーザーズマニュアルは、[axis.com](http://axis.com)で入手できます。
- ご使用のデバイスの新しいファームウェアがリリースされていないかを確認するには、[axis.com/support](http://axis.com/support)にアクセスしてください。
- 役に立つオンライントレーニングおよびWebセミナーをご用意しております。[axis.com/academy](http://axis.com/academy)をご覧ください。

## オプションアクセサリー

本製品で利用可能なすべてのアクセサリーについては、[axis.com](http://axis.com)で本製品のページを開いて「ソフトウェア&アクセサリー」を参照してください。

## 仕様

最新バージョンの製品のデータシートについては、[axis.com](http://axis.com)で本製品のページを開いて「Support & Documentation (サポートとドキュメント)」へお進みください。

### LEDインジケータ

#### 注意

- ステータスLEDは、イベントの発生時に点滅させることができます。

ステータスLED	説明
無点灯	接続時と正常動作時です。
緑	起動完了後、通常の操作では10秒間緑色に点灯します。
オレンジ	起動時に点灯します。ファームウェアのアップグレード時と工場出荷時設定へのリセット時に点滅します。
オレンジ/赤	ネットワーク接続が利用できないか、失われた場合は、オレンジ/赤色で点滅します。

### レベルアシスタントのステータスLEDの動作とブザー信号

画像の水平化に使用する機能ボタンの詳細については、127ページを参照してください。

カメラを水平化するには、機能ボタン (2) を2秒以上押し続けます。

- カメラが水平になると、両方のLEDが緑色に点灯し、ブザーが連続音になります。
- カメラが水平でないと、LEDは赤、緑、橙の組み合わせで点滅し、ブザーが長い間隔で鳴ります。

両方のLEDが一時的に緑色に点滅し、水平化が改善したことを示します。

### SDカードスロット

#### 注記

- SDカード損傷の危険があります。SDカードの挿入と取り外しの際には、鋭利な工具や金属性の物を使用したり、過剰な力をかけたりしないでください。カードの挿入や取り外しは指で行ってください。
- データ損失や録画データ破損の危険があります。本製品の稼働中はSDカードを取り外さないでください。取り外しの前に、製品のWebページからSDカードをマウント解除してください。

本製品は、microSD/microSDHC/microSDXCカードに対応しています。

推奨するSDカードについては、[axis.com](http://axis.com)を参照してください。

## ボタン

### コントロールボタン

コントロールボタンの位置については、116ページの、[製品の概要](#)を参照してください。

コントロールボタンは、以下の用途で使用します。

- 製品を工場出荷時の設定にリセットする。124ページを参照してください。
- AXIS Video Hosting Systemサービスに接続する。このサービスの詳細については、[axis.com](http://axis.com)を参照してください。

### 機能ボタン

機能ボタンには、以下のような機能があります。

- **水平化アシスタント** – 画像を水平にするのに役立つ機能です。ボタンを約2秒間押し続けると水平化アシスタントが起動し、もう一度押しと停止します。ステータスLED (126ページ参照) とブザー信号を使用して、画像の水平化を行います。画像が水平になると、ブザーが連続音になります。
- **ステータスLED**を表示する – 機能ボタンを1回押しとステータスLEDがオンになり、もう一回押しとオフになります。10秒経過すると、ステータスLEDは自動的にオフになります。

JA

## コネクタ

### ネットワークコネクタ

Power over Ethernet (PoE) 対応RJ45イーサネットコネクタ

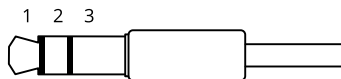
#### 注記

本製品は、シールドネットワークケーブル (STP) を使用して接続してください。本製品は、用途に合ったケーブルを使用してネットワークに接続してください。ネットワーク装置がメーカーの指示どおりに設置されていることを確認します。法的要件については、を参照してください。

# AXIS Q3517-SLVE Network Camera

## 音声コネクタ

- **音声入力** - モノラルマイクロフォンまたはラインインモノラル信号用 (左チャンネルはステレオ信号で使用) 3.5 mm入力。
- **音声出力** - 3.5 mm音声 (ラインレベル) 出力 (パブリックアドレス (PA) システムまたはアンプ内蔵アクティブスピーカーに接続可能)。音声出力には、ステレオコネクタを使用する必要があります。



### 音声入力

1 チップ	2 リング	3 スリーブ
アンバランス型マイクロフォン (エレクトレット電源あり、なし) またはライン	選択されている場合、エレクトレット電源	グラウンド

### 音声出力

1 チップ	2 リング	3 スリーブ
チャンネル1、アンバランス型ライン、モノラル	チャンネル1、アンバランス型ライン、モノラル	グラウンド

音声入力には、ステレオ信号の左チャンネルが使用されます。

## I/Oコネクタ

I/Oコネクタに外部装置を接続し、動体検知、イベントトリガー、アラーム通知などと組み合わせて使用することができます。I/Oコネクタは、0V DC基準点と電力 (DC出力) に加えて、以下のインターフェースを提供します：

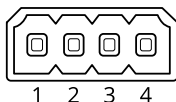
**デジタル入力** - 開回路と閉回路の切り替えが可能なデバイス (PIRセンサー、ドア/窓の接触、ガラス破損検知器など) を接続するための入力です。

**スーパーバイズドインプット (状態監視入力)** - デジタル入力のいたずらを検知する機能が有効になります。



**デジタル出力** - 接点やLEDなどの外部デバイスを接続します。接続されたデバイスは、VAPIX®アプリケーションプログラミングインターフェースまたは製品のWebページからアクティブにすることができます。

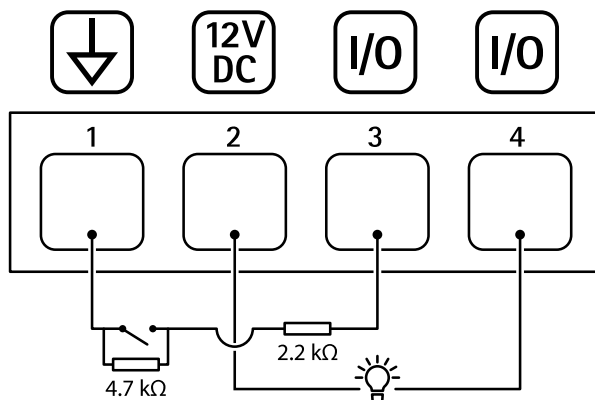
4ピンターミナルブロック



機能	ピン	備考	仕様
DCグラウンド	1		0 V DC
DC出力	2	補助装置の電源供給に使用できます。 注: このピンは、電源出力としてのみ使用できます。	12 V DC 最大負荷 = 50 mA
設定可能 (入力または出力)	3-4	デジタル入力/状態監視 - 動作させるにはピン1に接続し、動作させない場合はフロート状態(未接続)のままにします。状態監視を使用するには、終端抵抗器を設置します。抵抗器を接続する方法については、接続図を参照してください。	0~30 V DC (最大)
		デジタル出力 - アクティブ時はピン1 (DCグラウンド) に内部で接続し、非アクティブ時はフロート状態(未接続)になります。リレーなど、誘導負荷とともに使用する場合は、過渡電圧から保護するために、ダイオードを負荷と並列に接続します。	0~30 V DC (最大)、 オープンドレイン、 100 mA

JA

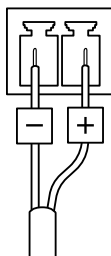
例



- 1 DCグランド
- 2 DC出力12 V、最大50 mA
- 3 I/O (状態監視として設定)
- 4 I/O (出力として設定)

## 電源コネクタ

DC電源入力用2ピンターミナルブロック。定格出力が100 W以下または5 A以下の安全特別低電圧 (SELV) に準拠した有限電源 (LPS) を使用してください。



## 動作条件

製品	等級	温度	湿度
AXIS Q3517-SLVE	IEC 60529 IP66およびIP67 NEMA 250 4X規格 準拠	-50 ° C ~ 60 ° C	10 ~ 100% RH

## 消費電力

製品	Power over Ethernet (PoE)	DC
AXIS Q3517-SLVE	IEEE 802.3af/802.3at Type 1、Class 3 標準6.5 W 最大12.9 W	標準6.9 W 最大14.5 W



## 安全情報

### 危険レベル

#### ▲危険

回避しない場合、死亡または重傷につながる危険な状態を示します。

#### ▲警告

回避しない場合、死亡または重傷につながるおそれのある危険な状態を示します。

#### ▲注意

回避しない場合、軽傷または中程度の怪我につながるおそれのある危険な状態を示します。

#### 注記

回避しない場合、器物の破損につながるおそれのある状態を示します。

### その他のメッセージレベル

#### 重要

製品を正しく機能させるために不可欠な重要情報を示します。

#### 注意

製品を最大限に活用するために役立つ有用な情報を示します。

## 安全手順

### ▲注意

鋭利な金属エッジに注意してください。取り付け時は耐切創手袋を使用してください。

### 注記

- 本アクシス製品は、お使いになる地域の法律や規制に準拠して使用してください。
- 本製品は乾燥した換気のよい環境に保管してください。
- 本製品を不安定なポール、ブラケット、表面、または壁に設置しないでください。
- 本製品を設置する際には、適切な工具のみを使用してください。電動工具を使用して過剰な力をかけると、製品が損傷することがあります。
- 製品の技術仕様に準拠したアクセサリのみを使用してください。これらのアクセサリは、Axisまたはサードパーティから入手できます。Axisは、ご使用の製品と互換性のあるAxis給電ネットワークスイッチの使用を推奨します。
- Axisが提供または推奨する交換部品のみを使用してください。
- 製品を自分で修理しないでください。修理については、Axisサポートまたは販売代理店にお問い合わせください。

## 輸送

### 注記

- 本製品を運搬する際は、製品が損傷しないよう、元の梱包か同等の梱包を使用してください。

## バッテリー

本製品は、内部リアルタイムクロック (RTC) 用電源として、3.0VCR2032リチウムバッテリーを使用します。このバッテリーは、通常条件下で最低5年間使用できます。

### ▲注意

自分でバッテリーを交換しないでください。ログメッセージがバッテリーの交換を要求している場合は、アクシスサポートに連絡してください。

リチウムコイン型3.0V電池は、1,2-ジメトキシエタン (エチレングリコールジメチルエーテル (EGDME)、CAS番号110-71-4) を含有しています。

## ドームカバー

### 注記

- 画質低下の原因となるため、ドームカバーに傷や指紋を付けたり、損傷しないように注意してください。可能であれば、設置が完了するまでドームカバーに保護プラスチックを付けたままにしてください。
- 肉眼で見て汚れがない場合は、ドームカバーを掃除しないでください。また、絶対に表面を磨かないでください。過度な清掃により、表面が破損することがあります。
- ドームカバーの通常のクリーニングには、磨耗防止タイプの無溶媒の中性石鹸またはきれいな水で薄めた洗剤と、柔らかい清潔な布を使用することをお勧めします。洗浄後、きれいなぬるま湯でよくすすいでください。水滴の跡が付かないよう、清潔な柔らかい布で拭いて乾かしてください。
- 強力な洗剤、ガソリン、ベンジン、アセトン、同様の化学薬品は絶対に使用しないでください。
- 直射日光が当たる場所や気温が上昇する場所でのドームカバーの清掃は避けてください。





## 包装内容

- AXIS Q3517-SLVE Network Camera
- 螺丝钻头 TR20
- I/O 连接器
- DC 连接器
- 连接器防护装置
- 粘合剂垫圈
- 额外的电缆垫圈
  - 电缆垫圈 M20 5 mm (适用于直径为 5-10 mm 的电缆)
  - 垫圈套件 M20 3 mm (适用于直径为 3-5 mm 的电缆)
- 印刷材料
  - 安装指南 (本文档)
  - 钻孔模板
  - 额外的序列号标签 (2 个)
  - AVHS 身份验证密钥

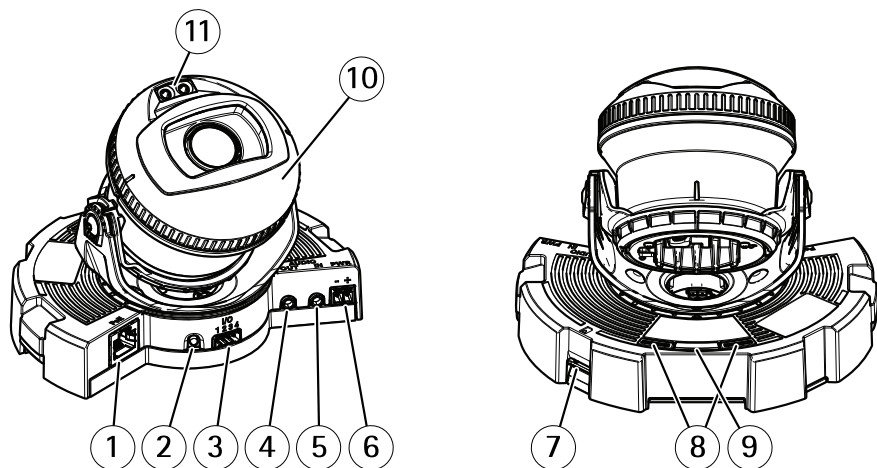
## 推荐的工具

### 注意

不锈钢是耐腐蚀的，但如果材料处理不当，可能会出现外部锈蚀。使用不锈钢工具，以避免锈斑或点蚀。

- 螺丝刀头 TR20 (不包括)

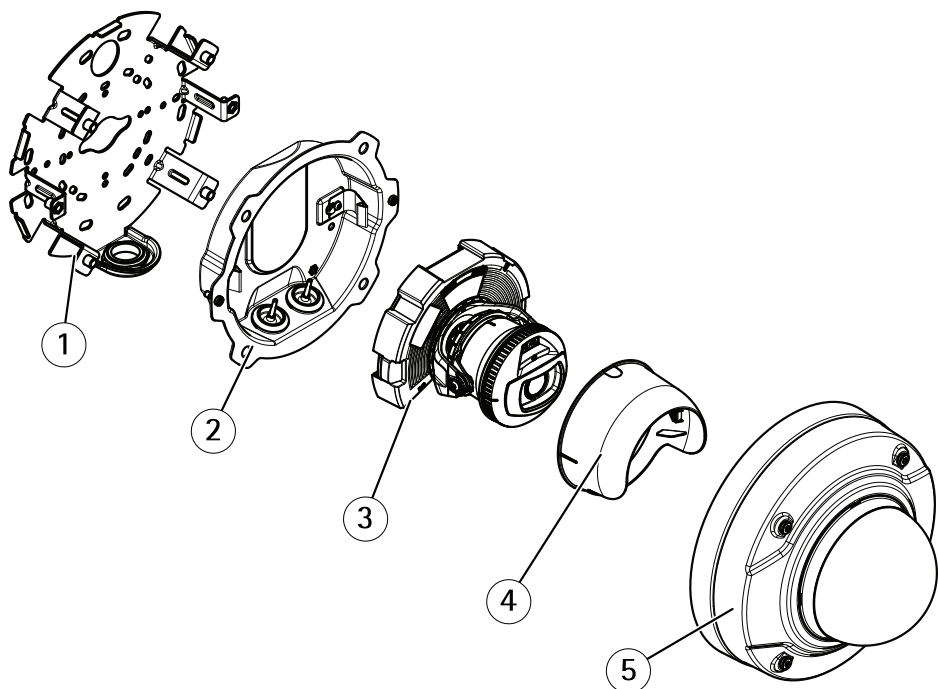
## 产品概述



- 1 网络连接器
- 2 控制按钮
- 3 I/O 连接器
- 4 音频输出
- 5 音频输入
- 6 DC 连接器
- 7 SD 卡插槽
- 8 状态 LED (2 个)
- 9 功能按钮
- 10 加热器
- 11 红外 LED (2 个)

### ⚠小心

加热器可能会发热。



- 1 安装支架
- 2 装置外壳
- 3 摄像机装置
- 4 视野保护装置
- 5 半球罩

ZH

## 如何安装产品

### 安装硬件

#### 安装支架

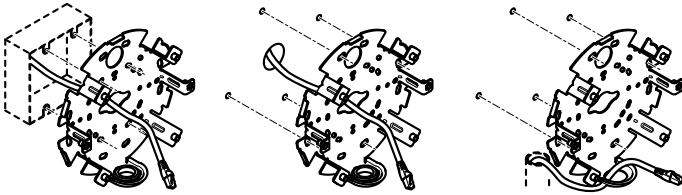
##### ⚠小心

请小心锋利的金属边缘。请在安装期间使用防割手套。

安装支架的边沿有 8 个孔，用于将支架固定到墙上。

为了在接线盒上安装支架，还有用于以下安装选件的孔：

- 标准尺寸 US 双联接线盒
- 标准尺寸 US 单联接线盒
- 4 英寸方盒
- 4 英寸八角盒



根据你是否想使用接线盒，或者是否穿墙或沿墙布线，请按下面的相关指令进行操作。

将摄像机安装到接线盒上：

1. 将粘性垫圈附着到安装支架的背部。
2. 将网络电缆（和多芯电缆，如需要）穿过接线盒和安装支架上的孔洞。
3. 用适当的不锈钢螺钉将安装支架连接到接线盒。

将电缆穿过墙壁：

1. 使用钻孔模板，钻 4 个孔来安装支架，另钻一个孔用于将电缆穿过墙壁。
2. 将粘性垫圈附着到安装支架的背部。
3. 将网络电缆（和多芯电缆，如需要）穿过墙壁和安装支架上的孔洞。
4. 用适当的不锈钢螺钉将安装支架固定到墙壁上。

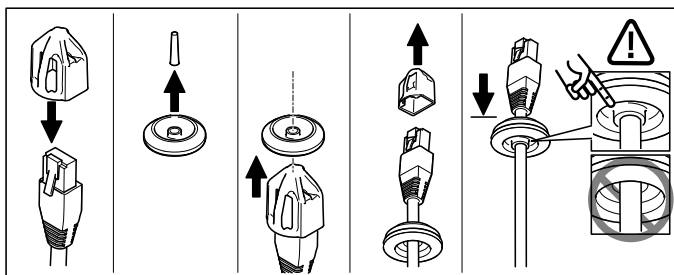
沿墙壁布置电缆并使其穿过安装支架上的侧孔：

1. 将粘性垫圈附着到安装支架的背部。
2. 从安装支架的侧孔上拔下插头。

3. 将网络电缆（和多芯电缆，如需要）穿过导线管和安装支架上的孔洞。
4. 用适当的不锈钢螺钉将安装支架固定到墙壁上。
5. 将导线管连接到安装支架上。

## 连接电缆并将摄像机连接至安装支架

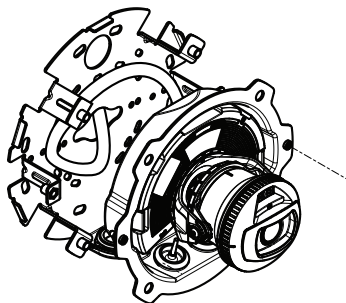
1. 将 microSD 卡插入摄像机装置（可选）。
2. 从设备外壳上取下网络电缆的电缆垫圈，请参见 *产品概述* 在第 138 页。
3. 拨下垫圈上的塑料堵头，并使用附带的连接器防护件将网络电缆穿过垫圈。轻轻回拉网络电缆，以便调整电缆垫圈在电缆上的位置。



### 注意

不回拉电缆可能会导致水渗入而损坏产品。

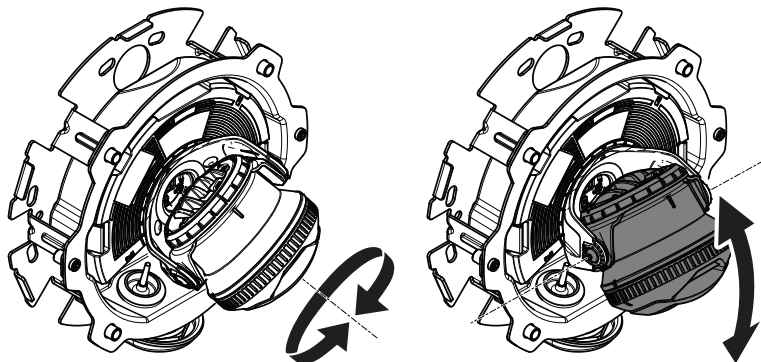
4. 如果使用的是多芯电缆，请从设备外壳上移除另一个电缆垫圈并将其丢弃。
5. 将电缆穿过设备外壳并将电缆垫圈安装到设备外壳上。
6. 将电缆连接至摄像机单元。
7. 将设备外壳中的弹簧拉到一边，将摄像机单元连接至设备外壳，将电缆穿过电缆垫圈以按需缩短。



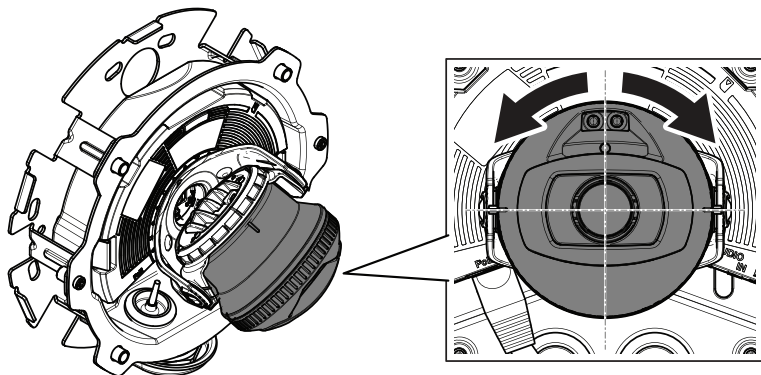
8. 沿安装支架松散地缠绕电缆，用两个螺钉将设备外壳连接至安装支架。

9. 检查电缆垫圈是否已正确地安装到设备外壳和电缆上。

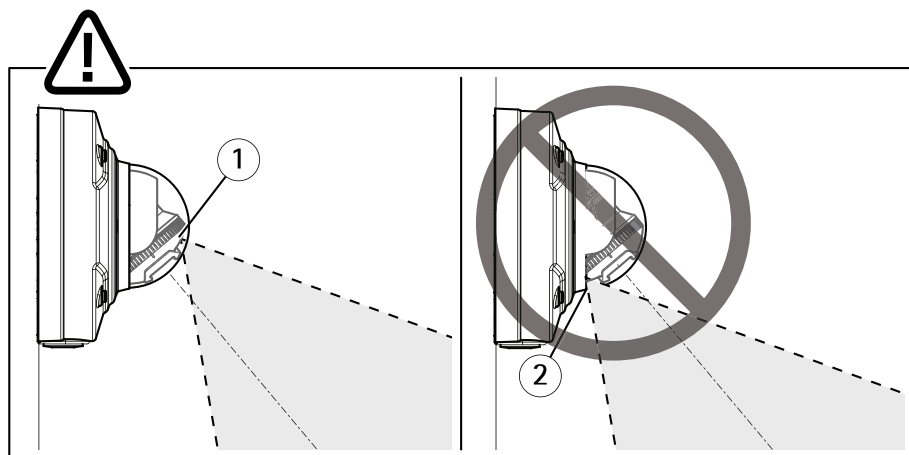
## 调整摄像机角度



1. 水平转动和垂直转动摄像机以调整角度。摄像机可水平转动  $360^\circ$  和垂直转动  $-80^\circ$  至  $80^\circ$ 。



2. 旋转摄像机以调整角度。摄像机可旋转  $\pm 175^\circ$ 。



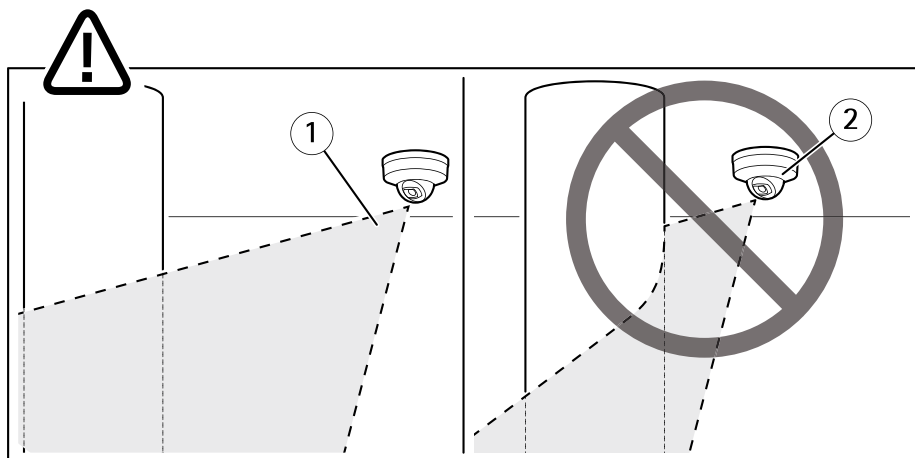
- 1 红外 LED 已正确定位。
- 2 红外 LED 被半球罩遮挡。

3. 将半球罩置于摄像机上方，但无需连接螺丝。
4. 检查红外 LED 是否未被半球罩遮挡。

ZH

**备注**

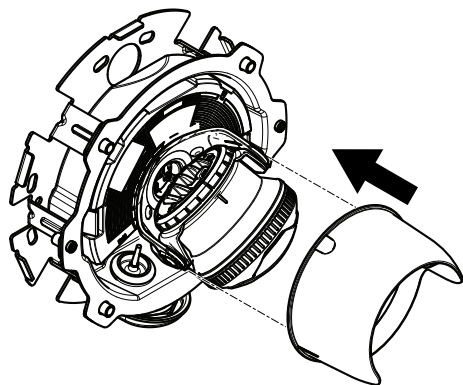
务必倾斜定位摄像机，以使红外 LED 发出的光不会反射到摄像机上。



- 1 红外 LED 位于反射表面附近时不会亮起。

- 2 摄像机位置距离反射表面过近。

## 连接视野保护装置



1. 将视野保护装置连接至摄像机装置。

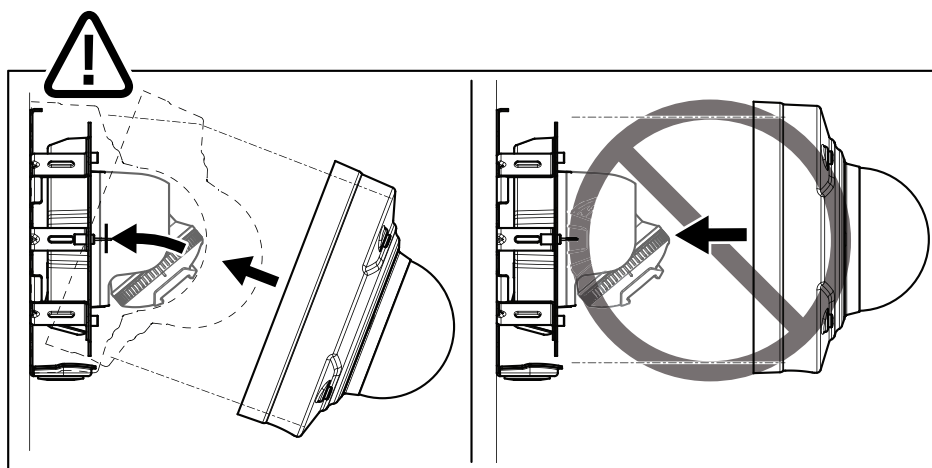
## 连接半球罩

1. 使用提供的螺丝钻头将半球罩连接至装置外壳。拧紧扭矩为 2 Nm (1.5 lb ft) 的螺丝。

### 备注

倾斜连接半球罩以保持摄像机镜头位置。





2. 取下半球罩上的保护膜。

## 如何访问产品

若要在网络中查找安讯士设备并为它们分配 Windows® 中的 IP 地址，请使用 AXIS IP Utility 或 AXIS 设备管理器。这两种应用程序都是免费的，可以从 [axis.com/support](http://axis.com/support) 上进行下载

有关使用产品的更多信息，请参阅 [axis.com](http://axis.com) 上提供的用户手册

## 如何调整对焦和变焦

1. 转到产品网页中的 **图像** 选项卡。
2. 调节 **变焦**。
3. 单击 **自动对焦**。

## 重置为出厂默认设置

### 重要

重置为出厂默认设置时应谨慎。重置会将设置（包括 IP 地址）更改为出厂默认值。

将产品重置为出厂默认设置：

1. 断开产品电源。
2. 按住控制按钮，同时重新连接电源。请参见 *产品概述* 在第 138 页。
3. 按住控制按钮 15–30 秒，直到状态 LED 指示灯呈淡黄色闪烁。
4. 松开控制按钮。当状态 LED 指示灯变绿时，此过程完成。产品已重置为出厂默认设置。如果网络上没有可用的 DHCP 服务器，则默认 IP 地址为 192.168.0.90。
5. 使用安装和管理软件工具分配 IP 地址、设置密码和访问视频流。  
安装和管理软件工具可在 [axis.com/support](http://axis.com/support) 的支持页上获得。

也可通过网页界面将参数重置为出厂默认设置。转到 **设置 > 系统 > 维护**，然后单击 **默认**。

## 更多信息

- 若要获取本文档的新版本，请参见 [axis.com](http://axis.com)
- 用户手册可从 [axis.com](http://axis.com) 获取
- 要检查是否有设备的可用更新固件，请参见 [axis.com/support](http://axis.com/support)
- 如需有用的在线培训和在线研讨会，请参见 [axis.com/academy](http://axis.com/academy)

## 可选附件

欲查看本产品可用附件的完整列表，请转到 [axis.com](http://axis.com) 上的产品页并选择“软件和附件”。

## 规格

要查找最新版本的产品数据表，请转到 [axis.com](http://axis.com) 上的产品页并查找**支持和文档**。

## LED 指示灯

### 备注

- LED 状态指示灯可被设置为在事件激活时闪烁。

LED 状态指示灯	指示
不亮	连接和正常工作。
绿色	启动完成后，将显示稳定的绿色 10 秒，以表示正常工作。
橙色	在启动期间稳定。在固件升级过程中或重置为出厂默认值时闪烁。
橙色/红色	如果网络连接不可用或丢失，则呈橙色/红色闪烁。

## 使用水平助手时的 LED 状态指示灯状态和蜂鸣器信号

有关调平图像所用功能按钮的信息，请参见第 149 页。

按住功能按钮 (2)，持续时间不超过两秒，以调平摄像机。

- 当摄像机处于水平状态时，两个 LED 均呈稳定的绿色，并连续发出蜂鸣声。
- 当摄像机未处于水平状态时，LED 呈红色、绿色和橙色混合闪烁，并以慢速间隔发出蜂鸣声。

两个 LED 呈绿色短暂闪烁表明水平状态越来越好。

## SD 卡插槽

### 注意

- 损坏 SD 卡的风险。插入或取出 SD 卡时，请勿使用锋利的工具、金属物体或过大力气。使用手指插入和取出该卡。
- 数据丢失和录制内容损坏的风险。产品正在运行时，请勿取出 SD 卡。在取出 SD 卡之前，请先从产品的网页上卸载 SD 卡。

本产品支持 microSD/microSDHC/microSDXC 卡。

有关 SD 卡的建议，请参见 [axis.com](http://axis.com)。

## 按钮

### 控制按钮

有关控制按钮的位置，请参见 *产品概述* 在第138页。

控制按钮用于：

- 将产品重置为出厂默认设置。请参见第146页。
- 连接至安讯士视频托管系统服务。要查找更多关于此服务的信息，请参见 [axis.com](http://axis.com)

### 功能按钮

功能按钮具有多种功能：

- **As leveling Assistant (作为调平助手)** – 此功能有助于确保图像处于水平位置。按下该按钮约 2 秒，调平助手将启动，再次按下该按钮则停止。状态 LED (请参见第148页) 和蜂鸣器信号可帮助实现图像水平。当蜂鸣器连续发出蜂鸣声时，图像处于水平位置。
- **要查看状态 LED 指示灯** – 按一次按钮，点亮状态 LED 指示灯。再次按下将其关闭。10 秒钟后，LED 指示灯自动熄灭。

## 接口

### 网络连接器

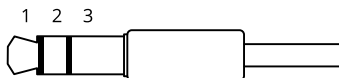
采用以太网供电 (PoE) 的 RJ45 以太网连接器。

#### 注意

该产品应使用屏蔽网络电缆 (STP) 进行连接。将产品连接到网络的电缆应专用于其特定用途。确保根据制造商的说明安装网络设备。有关法规要求的信息，请参见 *Electromagnetic compatibility (EMC) on page 4*。

### 音频连接器

- **音频输入** – 3.5 毫米输入，用于单声道麦克风或线路输入单声道信号 (左声道用于立体声信号)。
- **音频输出** – 用于音频 (线路级) 的 3.5 毫米输出，可连接到公共地址 (PA) 系统或带有内置放大器的有源扬声器。立体声连接器必须用于音频输出。



# AXIS Q3517-SLVE Network Camera

## 音频输入

1 尖部	2 中间环	3 尾段
不平衡麦克风（带/不带电子电源）或线路	可选择电子电源	接地

## 音频输出

1 尖部	2 中间环	3 尾段
通路 1，非平衡线路，单声道	通路 1，非平衡线路，单声道	接地

对于音频输入，左声道用于立体声信号。

## I/O 连接器

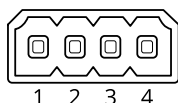
在外部设备结合了移动侦测、事件触发和报警通知等功能的情况下，使用 I/O 连接器。除 0 V DC 参考点和电源（DC 输出）外，I/O 连接器还提供连接至以下模块的接口：

**数字输入** – 用于连接可在开路 and 闭路之间切换的设备，例如 PIR 传感器、门/窗触点和玻璃破碎侦测器。

**监控输入** – 可侦测数字输入上的篡改。

**数字输出** – 用于连接继电器和 LED 等外部设备。已连接的设备可通过 VAPIX® 应用程序编程接口或从产品网页进行激活。

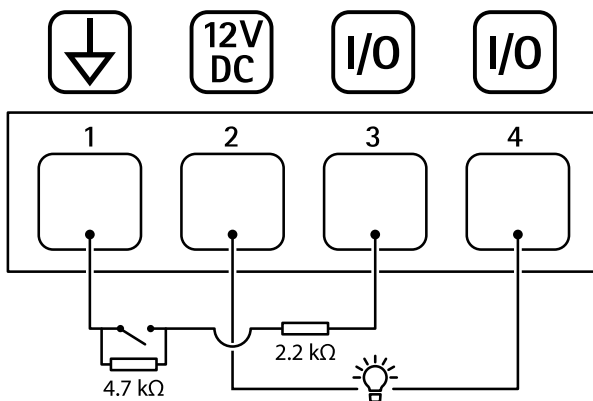
4 针接线端子



功能	针脚	注意事项	规格
DC 接地	1		0 V DC

DC 输出	2	可用于为辅助设备供电。 注意：此针脚只能用作电源输出。	12 V DC 最大载荷电流 = 50 mA
可配置（输入或输出）	3-4	数字输入或监控输入 - 连接至针脚 1 以启用，或保留浮动状态（断开连接）以停用。要使用监控输入，则安装线尾电阻器。有关如何连接电阻器的信息，请参见连接图。	0 至最大 30 V DC
		数字输出 - 启用时内部连接至针 1（DC 接地），停用保留浮动状态（断开连接）。如果与电感负载（如继电器）一起使用，则将二极管与负载并联连接，以防止电压瞬变。	0 至最大 30 V DC， 开漏，100 mA

## 示例



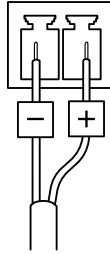
- 1 DC 接地
- 2 DC 输出 12 V，最大 50 mA
- 3 I/O 配置为监控输入
- 4 I/O 配置为输出

## 电源连接器

2 针接线端子，用于 DC 电源输入。使用额定输出功率限制为  $\leq 100$  W 或额定输出电流限制为  $\leq 5$  A 且符合安全超低电压 (SELV) 要求的限制电源 (LPS)。

# AXIS Q3517-SLVE Network Camera

---



## 工作条件

产品	分类	温度	湿度
AXIS Q3517-SLVE	IEC 60529 IP66 和 IP67 NEMA 250 4X 级	-50 ° C 至 60 ° C ( -58 ° F 至 140 ° F )	10-100% RH

## 功耗

产品	以太网供电 (PoE)	DC
AXIS Q3517-SLVE	IEEE 802.3af/802.3at 1 型, 3 类 标准 6.5 W 最大 12.9 W	标准 6.9 W 最大 14.5 W



## 安全信息

### 危险等级

#### ▲危险

表示如果不避免则会导致死亡或严重伤害的危险情况。

#### ▲警告

表示如果不避免则可能导致死亡或严重伤害的危险情况。

#### ▲小心

表示如果不避免则可能导致轻微或中度伤害的危险情况。

#### 注意

表示如果不避免则可能导致财产损失的情况。

### 其他消息等级

#### 重要

表示产品正常工作所必需的重要信息。

#### 备注

表示有助于充分利用产品的有用信息。

## 安全说明

### ⚠小心

请小心锋利的金属边缘。请在安装期间使用防割手套。

### 注意

- 使用 Axis 产品时应遵守当地法律和法规。
- 在干燥通风的环境中存放安讯士产品。
- 请勿将产品安装在不稳固的立杆、支架、表面或墙壁上。
- 安装安讯士产品时，仅使用适用的工具。使用电动工具过度施力可能导致产品损坏。
- 仅使用符合产品技术规格的附件。这些附件可由安讯士或第三方提供。安讯士推荐使用与产品兼容的安讯士电源设备。
- 仅使用安讯士提供或推荐的备件。
- 请勿尝试自行维修产品。有关服务事项，请联系安讯士支持部门或安讯士经销商。

## 运输

### 注意

- 安讯士产品运输途中，应使用其原包装或等效包装，以防对产品造成损坏。

## 电池

安讯士产品使用 3.0 V CR2032 锂电池作为其内部实时时钟 (RTC) 的电源。在正常情况下，此电池将持续至少五年。

### ⚠小心

请勿自行更换电池。如果日志消息要求更换电池，请联系安讯士支持部门。

3.0 V 纽扣锂电池内含 1,2-二甲氧基乙烷；乙二醇二甲醚 (EGDME)，CAS 编号为 110-71-4。

## 半球罩

### 注意

- 小心不要划伤、损坏或在半球罩上留下指纹，因为这可能会降低图像质量。如果可能，请保留半球罩上的保护塑料，直至安装完成。
- 请勿清洁看起来干净的半球罩，也不要对表面进行抛光。过度清洁可能会损坏表面。

- 对于半球罩的一般清洁，建议将无腐蚀性、不含溶剂的中性肥皂或洗涤剂与纯水混合，并使用柔软、干净的布进行清洁。用温水冲洗干净。用一块柔软干净的布擦干，以避免留下水渍。
- 切勿使用带有刺鼻气味的洗涤剂、汽油、苯、丙酮或类似化学品。
- 避免在阳光直射或高温下清洁半球罩。

