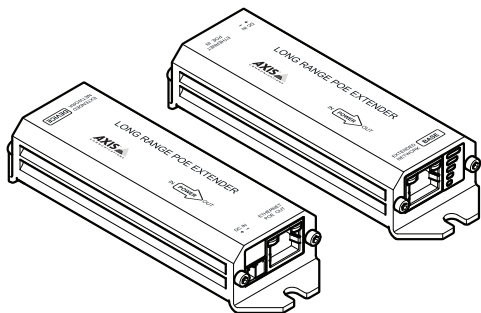


AXIS Long Range PoE Extender Kit

AXIS Long Range PoE Extender Base

AXIS Long Range PoE Extender Device



Installation Guide

English	EN
---------	----

France: Français	FR
------------------	----

Deutschland: Deutsch	DE
----------------------	----

Italia: Italiano	IT
------------------	----

España: Español	ES
-----------------	----

日本: 日本語	JA
---------	----

中文: 简体中文	ZH
----------	----

Read this first

Read through this Installation Guide carefully before installing the product. Keep the Installation Guide for future reference.

Legal considerations

Video and audio surveillance can be regulated by laws that vary from country to country. Check the laws in your local region before using this product for surveillance purposes.

Liability

Every care has been taken in the preparation of this document. Please inform your local Axis office of any inaccuracies or omissions. Axis Communications AB cannot be held responsible for any technical or typographical errors and reserves the right to make changes to the product and manuals without prior notice. Axis Communications AB makes no warranty of any kind with regard to the material contained within this document, including, but not limited to, the implied warranties of merchantability and fitness for a particular purpose. Axis Communications AB shall not be liable nor responsible for incidental or consequential damages in connection with the furnishing, performance or use of this material. This product is only to be used for its intended purpose.

Intellectual property rights

Axis AB has intellectual property rights relating to technology embodied in the product described in this document. In particular, and without limitation, these intellectual property rights may include one or more of the patents listed at axis.com/patent and one or more additional patents or pending patent applications in the US and other countries.

Equipment modifications

This equipment must be installed and used in strict accordance with the instructions given in the user documentation. This equipment contains no user-serviceable components. Unauthorized equipment changes or modifications will invalidate all applicable regulatory certifications and approvals.

Trademark acknowledgements

AXIS COMMUNICATIONS, AXIS and VAPIX are registered trademarks or trademark applications of Axis AB in various jurisdictions. All other company names and products are trademarks or registered trademarks of their respective companies.

Regulatory information

Europe



This product complies with the applicable CE marking directives and harmonized standards:

- Electromagnetic Compatibility (EMC) Directive 2014/30/EU. See *Electromagnetic compatibility (EMC) on page 4.*

- Low Voltage Directive (LVD) 2014/35/EU. See *Safety on page 5.*
- Restriction of Hazardous Substances (RoHS) Directive 2011/65/EU, including any amendments, updates or replacements. See *Disposal and recycling on page 5.*

A copy of the original declaration of conformity may be obtained from Axis Communications AB. See *Contact information on page 5.*

Electromagnetic compatibility (EMC)

This equipment has been designed and tested to fulfill applicable standards for:

- Radio frequency emission when installed according to the instructions and used in its intended environment.
- Immunity to electrical and electromagnetic phenomena when installed according to the instructions and used in its intended environment.

USA

This device complies with part 15 of the FCC Rules. Operation is subject to the following two conditions:

1. This device may not cause harmful interference, and
2. This device must accept any interference received, including interference that may cause undesired operation.

This equipment has been tested and found to comply with the limits for a Class A digital device, pursuant to part 15 of the FCC Rules. These limits are designed to provide reasonable protection against harmful interference when the equipment is operated in a commercial environment. This equipment generates, uses, and can radiate radio frequency energy and, if not installed and used in accordance with the instruction manual, may cause harmful interference to radio communications. Operation of this equipment in a residential area is likely to cause harmful interference in which case the user will be required to correct the interference at his own expense. The product shall be properly grounded.

Contact information

Axis Communications Inc.
300 Apollo Drive
Chelmsford, MA 01824
United States of America
Tel: +1 978 614 2000

Canada

This digital apparatus complies with CAN ICES-3 (Class A). The product shall be properly grounded. Cet appareil numérique est conforme à la norme CAN NMB-3 (classe A). Le produit doit être correctement mis à la terre.

Europe

This digital equipment fulfills the requirements for RF emission according to the Class A limit of EN 55032. The product shall be properly grounded. Notice! This is a Class A product. In a domestic environment this product may cause RF interference, in which case the user may be required to take adequate measures.

Australia/New Zealand

This digital equipment fulfills the requirements for RF emission according to the Class A limit of AS/NZS CISPR 32. The product shall be properly grounded. Notice! This is a Class A product. In a domestic environment this product may cause RF interference, in which case the user may be required to take adequate measures.

Japan

この装置は、クラスA機器です。この装置を住宅環境で使用すると電波妨害を引き起こすことがあります。この場合には使用者が適切な対策を講ずるよう要求されることがあります。VCCI-A

Safety

This product complies with IEC/EN 62368-1, safety of audio/video and IT equipment.

The power supply used with this product shall fulfill one of the following requirements:

- Safety Extra Low Voltage (SELV) according to clause 2.2 of IEC/EN/UL 60950-1 and Limited Power Source (LPS) according to clause 2.5 of IEC/EN/UL 60950-1 or CEC/NEC Class 2 source of supply as defined in the Canadian Electrical Code, CSA C22.1 and National Electrical Code, ANSI/NFPA 70
- Class 1 electrical energy source (ES1) and Class 2 power source (PS2) rated output power limited to ≤100 W according to IEC/EN/UL 62368-1

Disposal and recycling

When this product has reached the end of its useful life, dispose of it according to local laws and regulations. For information about your nearest designated collection point, contact your local authority responsible for waste disposal. In accordance with local legislation, penalties may be applicable for incorrect disposal of this waste.

Europe



This symbol means that the product shall not be disposed of together with household or commercial waste. Directive 2012/19/EU on waste electrical and electronic equipment (WEEE) is applicable in the European Union member states. To prevent potential harm to human health and the environment, the product must be disposed of in an approved and environmentally safe recycling process. For information about your nearest designated collection point, contact your local authority responsible for waste disposal. Businesses should contact the product supplier for information about how to dispose of this product correctly.

This product complies with the requirements of Directive 2011/65/EU on the restriction of the use of certain hazardous substances in electrical and electronic equipment (RoHS).

China



This product complies with the requirements of SJ/T 11364-2014, Marking for the restriction of hazardous substances in electrical and electronic products.

有毒有害物质或元素						
部件名称	铅 (P-b)	汞 (H-g)	镉 (C-d)	六价铬 (C-r-(V-I))	多溴联苯 (P-B-B)	多溴二苯醚 (P-B-D-E)
电气安装部分	X	0	0	0	0	0

0: 表示该有毒有害物质在该部件所有均质材料中的含量均在GB/T 26572标准规定的限量要求以下。
X: 表示该有毒有害物质至少在该部件的某一均质材料中的含量超出GB/T 26572标准规定的限量要求。

Contact information

Axis Communications AB
Emdalvägen 14
223 69 Lund
Sweden

Tel: +46 46 272 18 00
Fax: +46 46 13 61 30

axis.com

Warranty information

For information about Axis' product warranty and thereto related information, go to axis.com/warranty

Support

Should you require any technical assistance, please contact your Axis reseller. If your questions cannot be answered immediately, your reseller will forward your queries through the appropriate channels to ensure a rapid response. If you are connected to the Internet, you can:

- download user documentation and software updates

- find answers to resolved problems in the FAQ database, search by product, category, or phrase
- report problems to Axis support staff by logging in to your private support area
- chat with Axis support staff
- visit Axis Support at axis.com/support

Learn more!

Visit Axis learning center axis.com/academy for useful trainings, webinars, tutorials and guides.

Package contents	11
Product overview	12
How to install the product	13
Configuration examples	13
LED Indicators	14
Power source specification	17
PoE range	17
Data range	18
Safety information	19
Hazard levels	19
Safety instructions	20
Transportation	21
Contenu de l'emballage	23
Vue d'ensemble du produit	24
Comment installer le produit	25
Exemples de configuration	25
Voyants	26
Caractéristiques en matière de source d'alimentation	30
Plage PoE	30
Plage de données	31
Informations sur la sécurité	33
Niveaux de risques	33
Consignes de sécurité	34
Transport	35
Lieferumfang	37
Produktübersicht	38
Installieren des Produkts	39
Konfigurationsbeispiele	39
LED-Anzeigen	40
Technische Daten der Stromquelle	44
PoE-Bereich	44
Datenbereich	44
Sicherheitsinformationen	47
Gefährdungstufen	47
Sicherheitsanweisungen	48

AXIS Long Range PoE Extender Kit

Transport	49
Contenuto della confezione	51
Panoramica del dispositivo	52
Come installare il dispositivo	53
Esempi di configurazione	53
Indicatori LED	54
Specifiche sorgente di alimentazione	57
Intervallo PoE	57
Intervallo di dati	57
Informazioni di sicurezza	59
Livelli di pericolo	59
Informazioni di sicurezza	60
Trasporto	61
Contenido del paquete	63
Información general del producto	64
Cómo instalar el producto	65
Ejemplos de configuración	65
Indicadores LED	66
Especificaciones de la fuente de alimentación	70
Intervalo PoE	70
Intervalo de datos	70
Información de seguridad	73
Niveles de peligro	73
Instrucciones de seguridad	74
Transporte	75
パッケージの内容	77
製品の概要	78
製品の取り付け方法	79
構成例	79
LEDインジケータ	80
電源仕様	84
PoE範囲	84
データ範囲	84
安全情報	87
危険レベル	87
安全手順	88

輸送	89
包裝內容	91
產品概述	92
如何安裝產品	93
配置示例	93
LED 指示燈	94
電源規格	97
PoE 範圍	97
數據範圍	98
安全信息	99
危險等級	99
安全說明	100
運輸	100

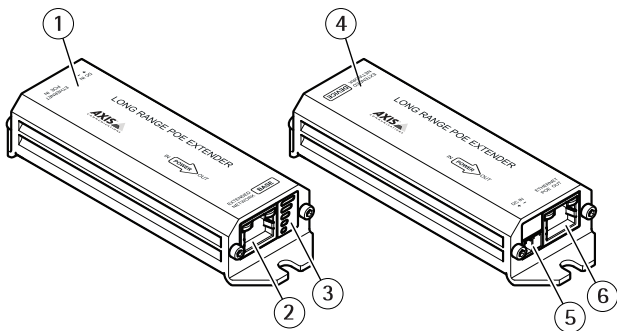
Package contents

- AXIS Long Range PoE Extender Base
- AXIS Long Range PoE Extender Device
- 2-pin terminal connector (2x)
- Installation Guide (this document)

EN

AXIS Long Range PoE Extender Kit

Product overview



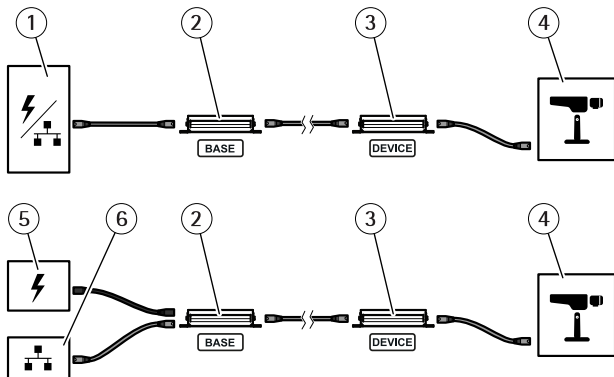
- 1 Base unit
- 2 RJ45 connector
- 3 Indicator LEDs
- 4 Device unit
- 5 Power connector
- 6 Network connector

How to install the product

Configuration examples

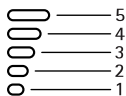
EN

Example: PoE powered solution and external power solution.



- 1 PoE sourcing device
- 2 Base unit
- 3 Device unit
- 4 Camera
- 5 Power supply
- 6 Network switch

LED Indicators



LED	Color/behaviour	Indication
1	Green. Steady during normal operation.	5 W PoE enabled to device.
1, 2		10 W PoE enabled to device.
1, 2, 3		15 W PoE enabled to device.
1, 2, 3, 4		20 W PoE enabled to device.
1, 2, 3, 4, 5		25 W PoE enabled to device.
1	Green. Flashes during normal operation.	5 W PoE available but not enabled to device.
1, 2		10 W PoE available but not enabled to device.
1, 2, 3		15 W PoE available but not enabled to device.
1, 2, 3, 4		20 W PoE available but not enabled to device.
1, 2, 3, 4, 5		25 W PoE available but not enabled to device.

AXIS Long Range PoE Extender Kit

1	Red. Flashes when an error or fault is detected.	PoE power draw has exceeded the available 5 W.
1, 2		PoE power draw has exceeded the available 10 W.
1, 2, 3		PoE power draw has exceeded the available 15 W.
1, 2, 3, 4		PoE power draw has exceeded the available 20 W.
1, 2, 3, 4, 5		PoE power draw has exceeded the available 25 W.
3, 4, 5	Red. Flashes when an error or fault is detected.	PoE disabled due to low voltage.
2, 3, 4		PoE to camera refused due to overload.
2, 3, 5		PoE to camera refused due to short circuit.
2, 4, 5		PoE to camera refused due to signature failure.
2, 3, 4, 5		PoE to camera refused due to high temperature.
1, 3, 4		PoE over Long Range PoE Extender refused due to overload.
1, 3, 5		PoE over Long Range PoE Extender refused due to short circuit.
1, 4, 5		PoE over Long Range PoE Extender refused due to signature failure.

EN

AXIS Long Range PoE Extender Kit

1, 3, 4, 5		PoE over Long Range PoE Extender refused due to high temperature.
1, 2, 4, 5		Poe over Long Range PoE Extender enabled but no ethernet link.
1	Orange. Flashes when a performance problem is detected but the device is still operating.	PoE power draw is approaching 5 W.
1, 2		PoE power draw is approaching 10 W.
1, 2, 3		PoE power draw is approaching 15 W.
1, 2, 3, 4		PoE power draw is approaching 20 W.
1, 2, 3, 4, 5		PoE power draw is approaching 25 W.
2, 5		Link performance can be less than 100% due to cable length, quality or condition.
2, 3		Available power is not sufficient to meet the camera's PoE power class level.
2		Less than 5 W is available for the camera. PoE to camera is refused.

Power source specification

PoE range

EN

Cam- era power	802.3af PoE Switch		802.3at PoE Plus Switch		AXIS power supply ¹	
	CAT6	CAT5e	CAT6	CAT5e	CAT6	CAT5e
5 Watts	1050 m (3444 ft.)	950 m (3116 ft.)	1050 m (3444 ft.)	950 m (3116 ft.)	1050 m (3444 ft.)	950 m (3116 ft.)
10 Watts	600 m (1968 ft.)	450 m (1476 ft.)	1050 m (3444 ft.)	950 m (3116 ft.)	1050 m (3444 ft.)	950 m (3116 ft.)
15 Watts	N/A	N/A	700 m (2296 ft.)	550 m (1804 ft.)	1000 m (3280 ft.)	800 m (2624 ft.)
20 Watts	N/A	N/A	500 m (1640 ft.)	350 m (1148 ft.)	750 m (2460 ft.)	600 m (1968 ft.)
25 Watts	N/A	N/A	N/A	N/A	600 m (1968 ft.)	450 m (1476 ft.)

1. AXIS T8003 PS57 or power supply DIN PS56

AXIS Long Range PoE Extender Kit

Data range

Rate	CAT6	CAT5e
100 Base-T	820 m (2690 ft.)	690 m (2250 ft.)
10 Base-T	1050 m (3500 ft.)	950 m (3100 ft.)

Note

The actual range of the cables depends on several factors such as cable quality, cable thickness, connectors and camera power consumption. The recommended maximum network cable length between the power source and the base unit or between the device unit and the camera is 100 m.

Safety information

Hazard levels

EN

⚠ DANGER

Indicates a hazardous situation which, if not avoided, will result in death or serious injury.

⚠ WARNING

Indicates a hazardous situation which, if not avoided, could result in death or serious injury.

⚠ CAUTION

Indicates a hazardous situation which, if not avoided, could result in minor or moderate injury.

NOTICE

Indicates a situation which, if not avoided, could result in damage to property.

Safety instructions

⚠ WARNING

The Axis product shall be installed by a trained professional, and in compliance with local laws and regulations.

NOTICE

- The Axis product shall be used in compliance with local laws and regulations.
- Axis recommends using a shielded network cable (STP).
- Axis recommends using a network cable of category CAT5e or higher.
- To use the Axis product outdoors, or in similar environments, it shall be installed in an approved outdoor housing.
- Store the Axis product in a dry and ventilated environment.
- Avoid exposing the Axis product to shocks or heavy pressure.
- Avoid exposing the Axis product to vibration.
- Do not install the product on unstable poles, brackets, surfaces or walls.
- Use only applicable tools when installing the Axis product. Using excessive force with power tools could cause damage to the product.
- Use only accessories that comply with the technical specification of your product. These can be provided by Axis or a third party. Axis recommends using Axis power source equipment compatible with your product.
- Use only spare parts provided by or recommended by Axis.
- Do not attempt to repair the product yourself. Contact Axis support or your Axis reseller for service matters.

Transportation

NOTICE

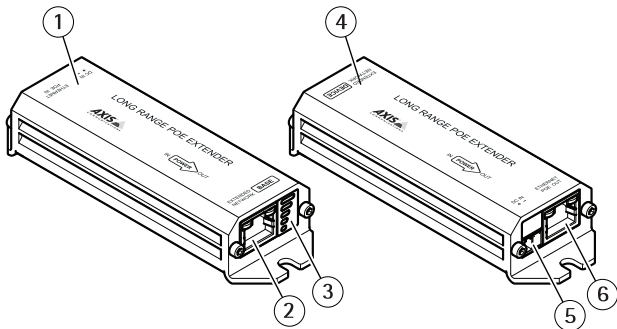
- When transporting the Axis product, use the original packaging or equivalent to prevent damage to the product.

EN

Contenu de l'emballage

- Socle du prolongateur PoE longue portée AXIS
- Périphérique du prolongateur PoE longue portée AXIS
- 2 connecteurs de terminal à 2 broches
- Guide d'installation (ce document)

Vue d'ensemble du produit



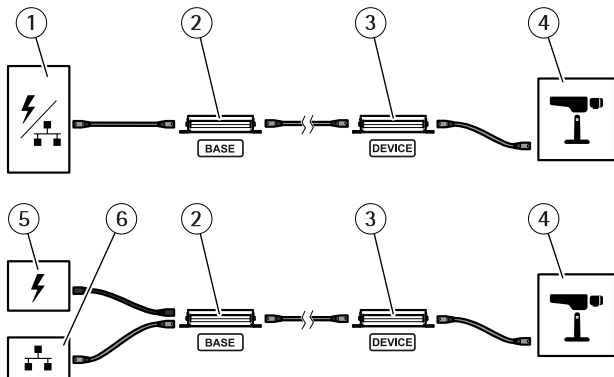
- 1 Unité de base
- 2 Connecteur RJ45
- 3 Voyants DEL
- 4 Périphérique
- 5 Connecteur d'alimentation
- 6 Connecteur réseau

Comment installer le produit

Exemples de configuration

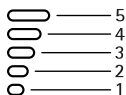
Exemple : Solution alimentée par PoE et solution d'alimentation externe.

FR



- 1 Dispositif d'alimentation PoE
- 2 Unité de base
- 3 Périphérique
- 4 Caméra
- 5 Bloc d'alimentation
- 6 Commutateur réseau

Voyants



LED	Couleur/comportement	Indication
1	Vert. Stable lors du fonctionnement normal.	PoE de 5 W activé sur le périphérique.
1, 2		PoE de 10 W activé sur le périphérique.
1, 2, 3		PoE de 15 W activé sur le périphérique.
1, 2, 3, 4		PoE de 20 W activé sur le périphérique.
1, 2, 3, 4, 5		PoE de 25 W activé sur le périphérique.

AXIS Long Range PoE Extender Kit

1	Vert. Clignote lors du fonctionnement normal.	PoE de 5 W disponible mais désactivé sur le périphérique.
1, 2		PoE de 10 W disponible mais désactivé sur le périphérique.
1, 2, 3		PoE de 15 W disponible mais désactivé sur le périphérique.
1, 2, 3, 4		PoE de 20 W disponible mais désactivé sur le périphérique.
1, 2, 3, 4, 5		PoE de 25 W disponible mais désactivé sur le périphérique.
1	Rouge. Clignote lorsqu'une erreur ou un défaut est détecté.	La consommation électrique du PoE a dépassé les 5 W disponibles.
1, 2		La consommation électrique du PoE a dépassé les 10 W disponibles.
1, 2, 3		La consommation électrique du PoE a dépassé les 15 W disponibles.
1, 2, 3, 4		La consommation électrique du PoE a dépassé les 20 W disponibles.
1, 2, 3, 4, 5		La consommation électrique du PoE a dépassé les 25 W disponibles.

FR

AXIS Long Range PoE Extender Kit

3, 4, 5	Rouge. Clignote lorsqu'une erreur ou un défaut est détecté.	PoE désactivé car la tension est trop basse.
2, 3, 4		Connexion du PoE à la caméra impossible dû à la surcharge.
2, 3, 5		Connexion du PoE à la caméra impossible en raison d'un court-circuit.
2, 4, 5		Connexion du PoE à la caméra impossible en raison d'un échec de la signature.
2, 3, 4, 5		Connexion du PoE à la caméra impossible en raison de la température élevée.
1, 3, 4		Connexion du PoE au Prolongateur PoE longue portée impossible en raison d'une surcharge.
1, 3, 5		Connexion du PoE au Prolongateur PoE longue portée impossible en raison d'un court-circuit.
1, 4, 5		Connexion du PoE au Prolongateur PoE longue portée impossible en raison d'un échec de la signature.
1, 3, 4, 5		Connexion du PoE au Prolongateur PoE longue portée impossible en raison de la température élevée.
1, 2, 4, 5		Connexion du PoE au Prolongateur PoE longue portée possible, mais sans liaison Ethernet.

AXIS Long Range PoE Extender Kit

1	Orange. Clignote lorsqu'un problème de performance est détecté, mais que le périphérique fonctionne encore.	La consommation électrique du PoE approche 5 W.
1, 2		La consommation électrique du PoE approche 10 W.
1, 2, 3		La consommation électrique du PoE approche 15 W.
1, 2, 3, 4		La consommation électrique du PoE approche 20 W.
1, 2, 3, 4, 5		La consommation électrique du PoE approche 25 W.
2, 5		La performance de la liaison peut être inférieure à 100 % du fait de la longueur, de la qualité ou de l'état du câble.
2, 3		L'alimentation disponible n'est pas suffisante pour répondre au niveau de classe d'alimentation PoE de la caméra.
2		Moins de 5 W sont disponibles pour la caméra. PoE vers caméra refusé.

FR

Caractéristiques en matière de source d'alimentation

Plage PoE

Cam-éra ali-menta-tion	Commutateur PoE 802.3af		Commutateur PoE Plus 802.3at		Bloc d'alimentation Axis ¹	
	CAT6	CAT5e	CAT6	CAT5e	CAT6	CAT5e
5 Watts	1050 m (344 4 pi)	950 m (311 6 pi)	105 0 m (3 444 pi)	950 m (311 6 pi)	105 0 m (3 444 pi)	950 m (311 6 pi)
10 Watts	600 m (196 8 pi)	450 m (147 6 pi)	105 0 m (3 444 pi)	950 m (311 6 pi)	105 0 m (3 444 pi)	950 m (311 6 pi)
15 Watts	Sans objet	Sans objet	700 m (229 6 pi)	550 m (180 4 pi)	100 0 m (3 280 pi)	800 m (262 4 pi)
20 Watts	Sans objet	Sans objet	500 m (164 0 pi)	350 m (114 8 pi)	750 m (246 0 pi)	600 m (196 8 pi)
25 Watts	Sans objet	Sans objet	Sans objet	Sans objet	600 m (196 8 pi)	450 m (147 6 pi)

1. AXIS T8003 PS57 ou alimentation DIN PS56

Plage de données

Fréquence	CAT6	CAT5e
100 Base-T	820 m (2690 pi)	690 m (2250 pi)
10 Base-T	1050 m (3500 pi)	950 m (3100 pi)

FR

Note

La véritable portée des câbles dépend de plusieurs facteurs comme la qualité et l'épaisseur du câble, les connecteurs et la consommation électrique de la caméra. La longueur maximale recommandée du câble réseau allant de la source d'alimentation à l'unité de base ou de l'unité du périphérique à la caméra est de 100 m.

Informations sur la sécurité

Niveaux de risques

▲ DANGER

Indique une situation dangereuse qui, si elle n'est pas évitée, entraînera le décès ou des blessures graves.

▲ AVERTISSEMENT

Indique une situation dangereuse qui, si elle n'est pas évitée, pourrait entraîner le décès ou des blessures graves.

▲ ATTENTION

Indique une situation dangereuse qui, si elle n'est pas évitée, pourrait entraîner des blessures légères ou modérées.

AVIS

Indique une situation qui, si elle n'est pas évitée, pourrait endommager l'appareil.

Consignes de sécurité

▲AVERTISSEMENT

Le produit Axis doit être installé par un professionnel qualifié et conformément aux lois et réglementations locales en vigueur.

AVIS

- Le produit Axis doit être utilisé conformément aux lois et réglementations locales.
- Axis recommande d'utiliser un câble réseau blindé (STP).
- Axis recommande d'utiliser un câble réseau de catégorie CAT5e ou supérieure.
- Pour pouvoir utiliser le produit Axis à l'extérieur, ou dans des environnements similaires, il doit être installé dans un boîtier d'extérieur homologué.
- Conserver ce produit Axis dans un environnement sec et ventilé.
- Ne pas exposer ce produit Axis aux chocs ou aux fortes pressions.
- Ne pas exposer ce produit Axis aux vibrations.
- Ne pas installer ce produit sur des poteaux, supports, surfaces ou murs instables.
- Utiliser uniquement des outils recommandés pour l'installation de l'appareil Axis. L'application d'une force excessive sur l'appareil avec des outils puissants pourrait l'endommager.
- Utiliser uniquement des accessoires conformes aux caractéristiques techniques de votre produit. Ils peuvent être fournis par Axis ou un tiers. Axis recommande d'utiliser un équipement d'alimentation Axis compatible avec votre produit.
- Utiliser uniquement les pièces de rechange fournies ou recommandées par Axis.
- Ne pas essayer de réparer vous-même ce produit. Contacter l'assistance technique d'Axis ou votre revendeur Axis pour des problèmes liés à l'entretien.

Transport

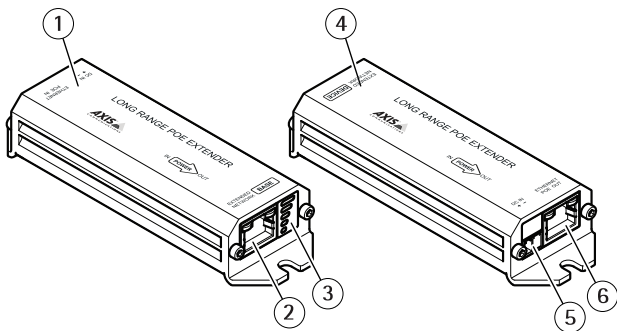
AVIS

- Lors du transport du produit Axis, utilisez l'emballage d'origine ou un équivalent pour éviter d'endommager le produit.

Lieferumfang

- AXIS Long Range PoE Extender Base
- AXIS Long Range PoE Extender Device
- Zweipoliger Terminalanschluss (2 St.)
- Installationsanleitung (dieses Dokument)

Produktübersicht

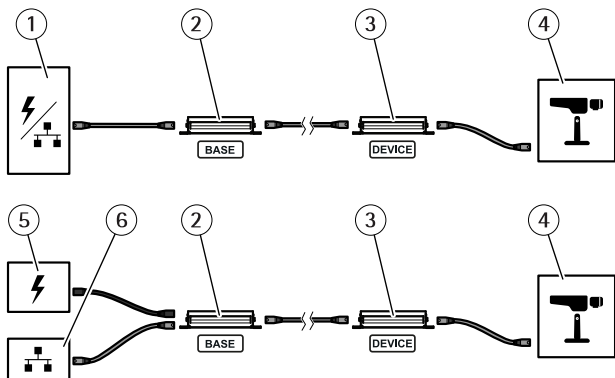


- 1 Basiseinheit
- 2 Anschluss RJ-45
- 3 Indikator-LEDs
- 4 Geräteeinheit
- 5 Netzanschluss
- 6 Netzwerkanschluss

Installieren des Produkts

Konfigurationsbeispiele

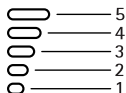
Beispiel: PoE-basierte Lösung und externe Stromversorgungslösung.



DE

- 1 PoE-Sourcing-Gerät
- 2 Basiseinheit
- 3 Geräteeinheit
- 4 Kamera
- 5 Netzteil
- 6 Netzwerk-Switch

LED-Anzeigen



LED	Farbe/Verhalten	Bedeutung
1	Grün. Leuchtet konstant bei Normalbetrieb.	5 W PoE zu Gerät aktiviert.
1, 2		10 W PoE zu Gerät aktiviert.
1, 2, 3		15 W PoE zu Gerät aktiviert.
1, 2, 3, 4		20 W PoE zu Gerät aktiviert.
1, 2, 3, 4, 5		25 W PoE zu Gerät aktiviert.
1	Grün. Blinkt während des Normalbe- triebs.	5 W PoE verfügbar, jedoch nicht auf dem Gerät aktiviert.
1, 2		10 W PoE verfügbar, jedoch nicht auf dem Gerät aktiviert.
1, 2, 3		15 W PoE verfügbar, jedoch nicht auf dem Gerät aktiviert.
1, 2, 3, 4		20 W PoE verfügbar, jedoch nicht auf dem Gerät aktiviert.
1, 2, 3, 4, 5		25 W PoE verfügbar, jedoch nicht auf dem Gerät aktiviert.

AXIS Long Range PoE Extender Kit

1	Rot. Blinkt, wenn ein Fehler oder eine Störung erkannt wird.	PoE-Leistungsaufnahme überschreitet die verfügbaren 5 W.
1, 2		PoE-Leistungsaufnahme überschreitet die verfügbaren 10 W.
1, 2, 3		PoE-Leistungsaufnahme überschreitet die verfügbaren 15 W.
1, 2, 3, 4		PoE-Leistungsaufnahme überschreitet die verfügbaren 20 W.
1, 2, 3, 4, 5		PoE-Leistungsaufnahme überschreitet die verfügbaren 25 W.
3, 4, 5	Rot. Blinkt, wenn ein Fehler oder eine Störung erkannt wird.	PoE aufgrund geringer Spannung deaktiviert.
2, 3, 4		PoE zu Kamera aufgrund von Überlastung verweigert.
2, 3, 5		PoE zu Kamera aufgrund von Kurzschluss verweigert.
2, 4, 5		PoE zu Kamera aufgrund eines Signatur Fehlers verweigert.
2, 3, 4, 5		PoE zur Kamera aufgrund der hohen Temperatur verweigert.
1, 3, 4		PoE über Long Range PoE-Extender aufgrund von Überlastung verweigert.

DE

AXIS Long Range PoE Extender Kit

1, 3, 5		PoE über Long Range PoE-Extender aufgrund eines Kurzschlusses verweigert.
1, 4, 5		PoE über Long Range PoE-Extender aufgrund eines Signaturfehlers verweigert.
1, 3, 4, 5		PoE über Long Range PoE-Extender aufgrund hoher Temperaturen verweigert.
1, 2, 4, 5		Poe über Long Range PoE Extender aktiviert, jedoch ohne Ethernetverbindung.
1	Orange Blinkt, wenn ein Leistungsproblem erkannt wird, aber das Gerät noch funktioniert.	PoE-Leistungsaufnahme nähert sich 5 W.
1, 2		PoE-Leistungsaufnahme nähert sich 10 W.
1, 2, 3		PoE-Leistungsaufnahme nähert sich 15 W.
1, 2, 3, 4		PoE-Leistungsaufnahme nähert sich 20 W.
1, 2, 3, 4, 5		PoE-Leistungsaufnahme nähert sich 25 W.
2, 5		Die Verbindungsleistung kann aufgrund von Länge, Qualität oder Zustand des Kabels weniger als 100 % betragen.
2, 3		Die Leistungsabgabe liegt unter den Vorgaben der PoE-Leistungsklasse der Kamera.

AXIS Long Range PoE Extender Kit

2

Für die Kamera stehen weniger als 5 W bereit. PoE an die Kamera wird abgelehnt.

DE

Technische Daten der Stromquelle

PoE-Bereich

Kamera Stromversorgung	PoE-Switch (802.3af)		PoE-Plus-Switch (802.3at)		AXIS Stromversorgungsgerät ¹	
	CAT6	CAT5e	CAT6	CAT5e	CAT6	CAT5e
5 Watt	1050 m	950 m	1050 m	950 m	1050 m	950 m
10 Watt	600 m	450 m	1050 m	950 m	1050 m	950 m
15 Watt	k. A.	k. A.	700 m	550 m	1000 m	800 m
20 Watt	k. A.	k. A.	500 m	350 m	750 m	600 m
25 Watt	k. A.	k. A.	k. A.	k. A.	600 m	450 m

1. AXIS T8003 PS57 oder Netzteil DIN PS56

Datenbereich

Rate	CAT6	CAT5e
100 Base-T	820 m	690 m
10 Base-T	1050 m	950 m

Beachten

Die tatsächliche Kabelreichweite hängt von mehreren Faktoren, wie der Kabelqualität, der Kabelstärke, den Anschlüssen

und dem Stromverbrauch der Kamera ab. Die empfohlene maximale Netzkabellänge zwischen der Stromquelle und der Basiseinheit bzw. zwischen der Geräteeinheit und der Kamera beträgt 100 m.

Sicherheitsinformationen

Gefährdungsstufen

▲GEFAHR

Weist auf eine gefährliche Situation hin, welche, falls nicht verhindert, zu Tod oder schweren Verletzungen führen kann.

▲WARNUNG

Weist auf eine gefährliche Situation hin, welche, falls nicht verhindert, zu Tod oder schweren Verletzungen führen kann.

▲VORSICHT

Weist auf eine gefährliche Situation hin, welche, falls nicht verhindert, zu geringfügiger oder mäßiger Verletzung führen kann.

HINWEIS

Weist auf eine gefährliche Situation hin, welche, falls nicht verhindert, zu Sachschäden führen kann.

Sicherheitsanweisungen

⚠️ WARNUNG

Das Axis Produkt muss von fachmännisch geschultem Personal und unter Einhaltung der örtlich geltenden Bestimmungen installiert werden.

HINWEIS

- Das Axis-Produkt muss unter Beachtung der geltenden Gesetze und Bestimmungen betrieben werden.
- Axis empfiehlt, ein abgeschirmtes Netzkabel (STP) zu verwenden.
- Axis empfiehlt, ein abgeschirmtes Netzkabel der Kategorie CAT5e oder höher zu verwenden.
- Für den Einsatz von Axis-Produkten im Außenbereich oder ähnlichen Umgebungen müssen diese in für den Außenbereich zugelassenen Gehäusen installiert werden.
- Lagern Sie das Axis Produkt in einer trockenen und belüfteten Umgebung.
- Das Axis-Produkt weder Stößen noch starkem Druck aussetzen.
- Das Axis-Produkt keinen Schwingungen aussetzen.
- Das Produkt nicht an instabilen Masten, Halterungen, Oberflächen oder Wänden anbringen.
- Verwenden Sie bei der Installation des Axis Produkts ausschließlich passende Werkzeuge. Ein zu großer Kraftaufwand mit elektrischen Werkzeugen kann das Produkt beschädigen.
- Verwenden Sie nur Zubehör, das den technischen Vorgaben Ihres Produkts entspricht. Dieses ist von Axis oder Drittanbietern erhältlich. Axis empfiehlt die mit Ihrem Produkt kompatible Stromversorgung von Axis.
- Verwenden Sie ausschließlich Ersatzteile die von Axis angeboten oder empfohlen werden.

- Versuchen Sie nicht, dieses Produkt selbsttätig zu reparieren. Wenden Sie sich bezüglich Reparatur und Wartung an den Axis Support oder Ihren Axis Händler.

Transport

HINWEIS

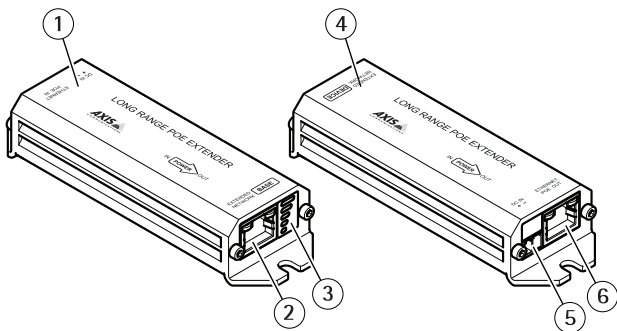
- Bei Bedarf transportieren Sie das Axis Produkt in der Originalverpackung oder einer entsprechenden Verpackung, so dass Schäden vermieden werden.

DE

Contenuto della confezione

- AXIS Long Range PoE Extender Base
- AXIS Long Range PoE Extender Device
- Connettore per morsetti a 2 pin (2x)
- Guida all'installazione (il presente documento)

Panoramica del dispositivo

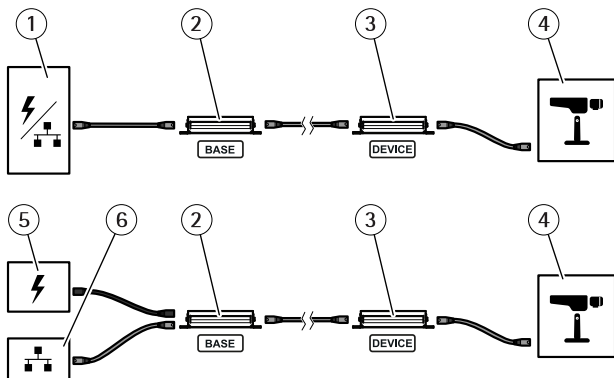


- 1 *Unità base*
- 2 *Connettore RJ45*
- 3 *Indicatore LED*
- 4 *Unità periferica*
- 5 *Connettore di alimentazione*
- 6 *Connettore di rete*

Come installare il dispositivo

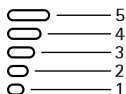
Esempi di configurazione

Esempio: Soluzione alimentata PoE e soluzione di alimentazione esterna.



- 1 Dispositivo di sourcing PoE
- 2 Unità base
- 3 Unità periferica
- 4 Telecamera
- 5 Alimentatore
- 6 Switch di rete

Indicatori LED



LED	Colore/comportamento	Indicazione
1	Verde. Costante durante il normale funzionamento.	PoE 5 W abilitato al dispositivo.
1, 2		PoE 10 W abilitato al dispositivo.
1, 2, 3		PoE 15 W abilitato al dispositivo.
1, 2, 3, 4		PoE 20 W abilitato al dispositivo.
1, 2, 3, 4, 5		PoE 25 W abilitato al dispositivo.
1	Verde. Lampeggia durante il normale funzionamento.	5 W PoE disponibile ma non abilitato al dispositivo.
1, 2		10 W PoE disponibile ma non abilitato al dispositivo.
1, 2, 3		15 W PoE disponibile ma non abilitato al dispositivo.
1, 2, 3, 4		20 W PoE disponibile ma non abilitato al dispositivo.
1, 2, 3, 4, 5		25 W PoE disponibile ma non abilitato al dispositivo.

1	Rosso. Lampeggia quando viene rilevato un errore o un errore.	Il Power Draw PoE ha superato i 5 W disponibili.
1, 2		Il Power Draw PoE ha superato i 10 W disponibili.
1, 2, 3		Il Power Draw PoE ha superato i 15 W disponibili.
1, 2, 3, 4		Il Power Draw PoE ha superato i 20 W disponibili.
1, 2, 3, 4, 5		Il Power Draw PoE ha superato i 25 W disponibili.
3, 4, 5	Rosso. Lampeggia quando viene rilevato un errore o un errore.	PoE disabilitato a causa di bassa tensione.
2, 3, 4		PoE alla telecamera rifiutata a causa di sovraccarico.
2, 3, 5		PoE alla telecamera rifiutata a causa di cortocircuito.
2, 4, 5		PoE alla telecamera rifiutata a causa di un guasto della firma.
2, 3, 4, 5		PoE alla telecamera rifiutata a causa della temperatura elevata.
1, 3, 4		Amplificatore PoE over Long Range rifiutato a causa di sovraccarico.
1, 3, 5		Amplificatore PoE over Long Range rifiutato a causa di cortocircuito.
1, 4, 5		Amplificatore PoE over Long Range rifiutato a causa di un errore della firma.

AXIS Long Range PoE Extender Kit

1, 3, 4, 5		Amplificatore PoE over Long Range rifiutato a causa di alte temperature.
1, 2, 4, 5		Amplificatore PoE over Long Range abilitato ma nessun collegamento Ethernet.
1	Arancione. Lampeggia quando viene rilevato un problema relativo alle prestazioni, ma il dispositivo è ancora in funzione.	Il Power Draw PoE si avvicina a 5 W.
1, 2		Il Power Draw PoE si avvicina a 10 W.
1, 2, 3		Il Power Draw PoE si avvicina a 15 W.
1, 2, 3, 4		Il Power Draw PoE si avvicina a 20 W.
1, 2, 3, 4, 5		Il Power Draw PoE si avvicina a 25 W.
2, 5		Le prestazioni del collegamento possono essere inferiori al 100% a causa della lunghezza, della qualità o delle condizioni del cavo.
2, 3		L'alimentazione disponibile non è sufficiente per soddisfare il livello di classe di alimentazione PoE della telecamera.
2		Sono disponibili meno di 5 W per la telecamera. PoE alla telecamera rifiutata.

Specifiche sorgente di alimentazione

Intervallo PoE

Tele-camera di alimentazione	802.3af PoE Switch		802.3at PoE Plus Switch		Alimentatore ¹	
	CAT6	CAT5e	CAT6	CAT5e	CAT6	CAT5e
5 Watt	1050 m	950 m	1050 m	950 m	1050 m	950 m
10 Watt	600 m	450 m	1050 m	950 m	1050 m	950 m
15 Watt	N/D	N/D	700 m	550 m	1000 m	800 m
20 Watt	N/D	N/D	500 m	350 m	750 m	600 m
25 Watt	N/D	N/D	N/D	N/D	600 m	450 m

1. AXIS T8003 PS57 o alimentatore DIN PS56

Intervallo di dati

Classe	CAT6	CAT5e
100 Base-T	820 m	690 m
10 Base-T	1050 m	950 m

AXIS Long Range PoE Extender Kit

Nota

L'autonomia effettiva dipende da diversi fattori tra i quali la qualità e lo spessore del cavo, i connettori utilizzati e il consumo energetico della telecamera. La lunghezza massima consigliata del cavo di rete tra la sorgente di alimentazione e l'unità base o tra l'unità dispositivo e la telecamera è 100 m.

Informazioni di sicurezza

Livelli di pericolo

▲PERICOLO

Indica una situazione pericolosa che, se non evitata, provoca morte o lesioni gravi.

▲AVERTENZA

Indica una situazione pericolosa che, se non evitata, potrebbe provocare la morte o lesioni gravi.

▲ATTENZIONE

Indica una situazione pericolosa che, se non evitata, potrebbe provocare lesioni medie o minori.

AWISO

Indica una situazione che, se non evitata, potrebbe danneggiare la proprietà.

Informazioni di sicurezza

⚠AVVERTENZA

Il dispositivo Axis deve essere installato da un professionista qualificato, in conformità alle leggi e alle disposizioni locali.

AWISO

- Il dispositivo Axis deve essere utilizzato in conformità alle leggi e alle normative locali.
- Axis consiglia l'uso di un cavo di rete schermato (STP).
- Axis consiglia di utilizzare un cavo di rete di categoria CAT5e o versione successiva.
- Per utilizzare il dispositivo Axis in ambienti esterni o in ambienti simili, deve essere installato in una custodia per esterni approvata.
- Conservare il dispositivo Axis in un ambiente asciutto e ventilato.
- Evitare di esporre il dispositivo Axis a urti o pressioni eccessive.
- Evitare di esporre il dispositivo Axis a vibrazione.
- Non installare il dispositivo su supporti, superfici, pareti o pali instabili.
- Utilizzare solo strumenti applicabili quando si installa il dispositivo Axis. Se si utilizza una forza eccessiva con strumenti non adatti è possibile causare danni al dispositivo.
- Utilizzare solo accessori compatibili con le specifiche tecniche del dispositivo. Questi possono essere forniti da Axis o da terze parti. Axis consiglia l'uso dell'apparecchiatura di alimentazione Axis compatibile con il dispositivo.
- Utilizzare solo parti di ricambio fornite o consigliate da Axis.
- Non tentare di riparare il dispositivo da soli. Contattare l'assistenza o il rivenditore Axis per questioni relative alla manutenzione.

Trasporto

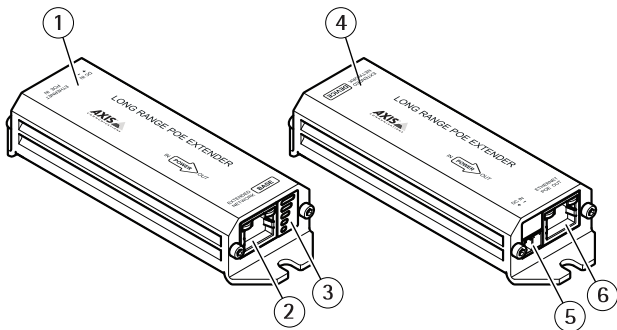
AWISO

- Durante il trasporto del dispositivo Axis, utilizzare l'imballaggio originale o equivalente per evitare danni al dispositivo.

Contenido del paquete

- AXIS Long Range PoE Extender Base
- AXIS Long Range PoE Extender Device
- Conector del terminal de 2 pines (2)
- Guía de instalación (este documento)

Información general del producto

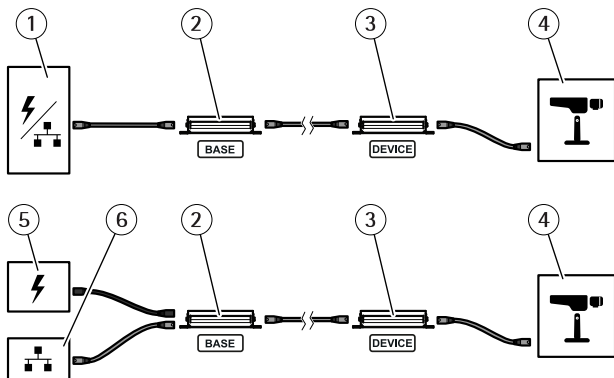


- 1 Unidad base
- 2 Conector RJ45
- 3 Indicadores LED
- 4 Unidad de dispositivo
- 5 Conector de alimentación
- 6 Conector de red

Cómo instalar el producto

Ejemplos de configuración

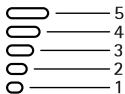
Ejemplo: Solución alimentada por PoE y solución de alimentación externa.



ES

- 1 Dispositivo de suministro de PoE
- 2 Unidad base
- 3 Unidad de dispositivo
- 4 Cámara
- 5 Fuente de alimentación
- 6 Switch de red

Indicadores LED



LED	Color / comportamiento	Indicación
1	Verde. Estable durante el funcionamiento normal.	PoE de 5 W habilitado para el dispositivo.
1, 2		PoE de 10 W habilitado para el dispositivo.
1, 2, 3		PoE de 15 W habilitado para el dispositivo.
1, 2, 3, 4		PoE de 20 W habilitado para el dispositivo.
1, 2, 3, 4, 5		PoE de 25 W habilitado para el dispositivo.

AXIS Long Range PoE Extender Kit

1	Verde. Parpadea durante el funcionamiento normal.	PoE de 5 W disponible pero no habilitado para dispositivo.
1, 2		PoE de 10 W disponible pero no habilitado para dispositivo.
1, 2, 3		PoE de 15 W disponible pero no habilitado para dispositivo.
1, 2, 3, 4		PoE de 20 W disponible pero no habilitado para dispositivo.
1, 2, 3, 4, 5		PoE de 25 W disponible pero no habilitado para dispositivo.
1	Rojo. Parpadea cuando se detecta un error o fallo.	El consumo de energía PoE ha superado los 5 W disponibles.
1, 2		El consumo de energía PoE ha superado los 10 W disponibles.
1, 2, 3		El consumo de energía PoE ha superado los 15 W disponibles.
1, 2, 3, 4		El consumo de energía PoE ha superado los 20 W disponibles.
1, 2, 3, 4, 5		El consumo de energía PoE ha superado los 25 W disponibles.

ES

AXIS Long Range PoE Extender Kit

3, 4, 5	Rojo. Parpadea cuando se detecta un error o fallo.	PoE deshabilitado por baja tensión.
2, 3, 4		PoE a cámara rechazada por sobrecarga.
2, 3, 5		PoE a cámara rechazada por cortocircuito.
2, 4, 5		PoE a cámara rechazada por fallo en la firma.
2, 3, 4, 5		PoE a cámara rechazada por alta temperatura.
1, 3, 4		PoE sobre Long Range PoE Extender rechazada por sobrecarga.
1, 3, 5		PoE sobre Long Range PoE Extender rechazada por cortocircuito.
1, 4, 5		PoE sobre Long Range PoE Extender rechazado por fallo en la firma.
1, 3, 4, 5		PoE sobre Long Range PoE Extender rechazado por alta temperatura.
1, 2, 4, 5		Alimentación a través de Ethernet sobre Long Range PoE Extender habilitado pero sin enlace de Ethernet.

1	<p>Ámbar. Parpadea cuando se detecta un problema de rendimiento pero el dispositivo sigue funcionando.</p>	El sistema de alimentación a través de Ethernet está llegando a 5 W.
1, 2		El sistema de alimentación a través de Ethernet está llegando a 10 W.
1, 2, 3		El sistema de alimentación a través de Ethernet está llegando a 15 W.
1, 2, 3, 4		El sistema de alimentación a través de Ethernet está llegando a 20 W.
1, 2, 3, 4, 5		El sistema de alimentación a través de Ethernet está llegando a 25 W.
2, 5		El rendimiento del enlace puede ser inferior al 100 % debido a la longitud, la calidad o el estado del cable.
2, 3		La potencia disponible no es suficiente para satisfacer el nivel de clase de potencia de la alimentación a través de Ethernet.
2		Hay menos de 5 W disponibles para la cámara. Se rechaza la alimentación a través de Ethernet de la cámara.

Especificaciones de la fuente de alimentación

Intervalo PoE

Cámara alimentación	Switch PoE 802.3af		Switch PoE+ 802.3at		Fuente de alimentación AXIS ¹	
	CAT6	CAT5e	CAT6	CAT5e	CAT6	CAT5e
5 W	1050 m	950 m	1050 m	950 m	1050 m	950 m
10 W	600 m	450 m	1050 m	950 m	1050 m	950 m
15 W	N/D	N/D	700 m	550 m	1000 m	800 m
20 W	N/D	N/D	500 m	350 m	750 m	600 m
25 W	N/D	N/D	N/D	N/D	600 m	450 m

1. AXIS T8003 PS57 o fuente de alimentación DIN PS56

Intervalo de datos

Velocidad	CAT6	CAT5e
100 Base-T	820 m	690 m
10 Base-T	1050 m	950 m

Nota

El alcance real de los cables depende de diversos factores, como la calidad del cable, su grosor, los conectores y el consumo de

AXIS Long Range PoE Extender Kit

energía de la cámara. La longitud máxima recomendada del cable de red entre la fuente de alimentación y la unidad base o entre la unidad del dispositivo y la cámara es de 100 m.

ES

Información de seguridad

Niveles de peligro

▲PELIGRO

Indica una situación peligrosa que, si no se evita, provocará lesiones graves o la muerte.

▲ADVERTENCIA

Indica una situación peligrosa que, si no se evita, puede provocar lesiones graves o la muerte.

▲ATENCIÓN

Indica una situación peligrosa que, si no se evita, puede provocar lesiones moderadas o leves.

AVISO

Indica una situación peligrosa que, si no se evita, puede provocar daños materiales.

ES

Instrucciones de seguridad

⚠ADVERTENCIA

El producto de Axis debe instalarlo un profesional formado conforme las leyes y normativas locales.

AVISO

- Este producto de Axis debe utilizarse de conformidad con las leyes y normativas locales.
- Axis recomienda utilizar un cable de red blindado (STP).
- Axis recomienda utilizar un cable de red de categoría CAT5e o superior.
- Para usar el producto de Axis en exteriores, o en entornos similares, debe instalarse en una carcasa exterior aprobada.
- Almacene el producto de Axis en un entorno seco y ventilado.
- Evite la exposición del producto de Axis a choques o a una fuerte presión.
- Evite la exposición del producto de Axis a vibraciones.
- No instale el producto en postes, soportes, superficies o paredes inestables.
- Utilice solo las herramientas correspondientes cuando instale el producto de Axis. La aplicación de una fuerza excesiva con herramientas eléctricas puede provocar daños en el producto.
- Utilice solo accesorios que cumplan con las especificaciones técnicas de su producto. Estos accesorios los puede proporcionar Axis o un tercero. Axis recomienda utilizar un equipo de suministro de alimentación de Axis compatible con su producto.
- Utilice solo piezas de repuesto proporcionadas o recomendadas por Axis.
- No intente reparar el producto usted mismo. Póngase en contacto con el servicio de asistencia técnica de Axis o con su distribuidor de Axis para tratar asuntos de reparación.

Transporte

AVISO

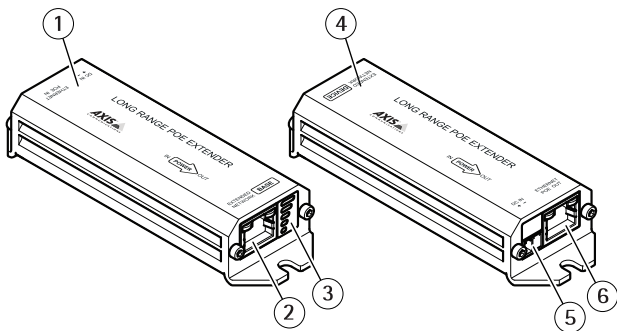
- Cuando transporte el producto de Axis, utilice el embalaje original o un equivalente para evitar daños en el producto.

パッケージの内容

- AXIS Long Range PoE Extender Base
- AXIS Long Range PoE Extender Device
- 2ピンターミナルコネクタ (×2)
- インストールガイド (本書)

AXIS Long Range PoE Extender Kit

製品の概要

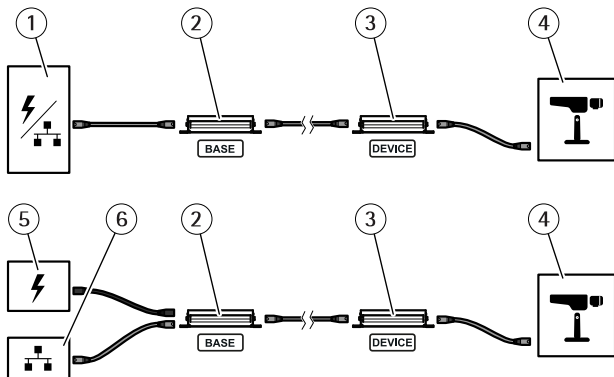


- 1 ベースユニット
- 2 RJ45コネクタ
- 3 LEDインジケータ
- 4 デバイスユニット
- 5 電源コネクタ
- 6 ネットワークコネクタ

製品の取り付け方法

構成例

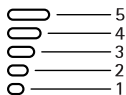
例: PoE給電のソリューションと外部電源ソリューション。



JA

- 1 PoE給電装置
- 2 ベースユニット
- 3 デバイスユニット
- 4 カメラ
- 5 電源
- 6 ネットワークスイッチ

LEDインジケータ



LED	カラー/動作	説明
1	緑。正常動作中は点灯します。	PoE 5Wがデバイスに対して有効です。
1, 2		PoE 10Wがデバイスに対して有効です。
1, 2, 3		PoE 15Wがデバイスに対して有効です。
1, 2, 3, 4		PoE 20Wがデバイスに対して有効です。
1, 2, 3, 4, 5		PoE 25Wがデバイスに対して有効です。

AXIS Long Range PoE Extender Kit

1	緑。正常動作中は点滅します。	PoE 5Wは使用可能ですが、デバイスに対して有効になっていません。
1, 2		PoE 10Wは使用可能ですが、デバイスに対して有効になっていません。
1, 2, 3		PoE 15Wは使用可能ですが、デバイスに対して有効になっていません。
1, 2, 3, 4		PoE 20Wは使用可能ですが、デバイスに対して有効になっていません。
1, 2, 3, 4, 5		PoE 25Wは使用可能ですが、デバイスに対して有効になっていません。
1	赤。エラーまたは障害が検出されると点滅します。	PoEの消費電力が利用可能な5Wを超えました。
1, 2		PoEの消費電力が利用可能な10Wを超えました。
1, 2, 3		PoE消費電力が利用可能な15Wを超えました。
1, 2, 3, 4		PoE消費電力が利用可能な20Wを超えました。
1, 2, 3, 4, 5		PoE消費電力が利用可能な25Wを超えました。

JA

AXIS Long Range PoE Extender Kit

3, 4, 5	赤。エラーまたは障害が検出されると点滅します。	低電圧のため、PoEが無効になっています。
2, 3, 4		過負荷のため、カメラへのPoEが拒否されました。
2, 3, 5		短絡のため、カメラへのPoEが拒否されました。
2, 4, 5		シグネチャの失敗により、カメラへのPoEが拒否されました。
2, 3, 4, 5		高温のため、カメラへのPoEが拒否されました。
1, 3, 4		過負荷のため、Long Range PoE ExtenderによるPoEが拒否されました。
1, 3, 5		短絡のため、Long Range PoE ExtenderによるPoEが拒否されました。
1, 4, 5		シグネチャの失敗のため、Long Range PoE ExtenderによるPoEが拒否されました。
1, 3, 4, 5		高温のため、Long Range PoE ExtenderによるPoEが拒否されました。
1, 2, 4, 5		Long Range PoE ExtenderによるPoEは有効ですが、イーサネットリンクがありません。

AXIS Long Range PoE Extender Kit

1	オレンジ。パフォーマンスの問題が検知されたが、デバイスはまだ動作している時に点滅します。	PoE消費電力が5Wに近づいています。
1, 2		PoE消費電力が10Wに近づいています。
1, 2, 3		PoE消費電力が15Wに近づいています。
1, 2, 3, 4		PoE消費電力が20Wに近づいています。
1, 2, 3, 4, 5		PoE消費電力が25Wに近づいています。
2, 5		ケーブルの長さ、品質、状態によってリンクパフォーマンスが100%未満になる場合があります。
2, 3		使用可能な電力が、カメラのPoE電力クラスレベルを満たすには不十分です。
2		カメラで使用できるのは5W未満です。カメラへのPoEが拒否されました。

JA

電源仕様

PoE範囲

カメラ 電力	802.3af PoEス イッチ		802.3at PoE Plus スイッチ		AXIS電源 ¹	
	CAT6	CAT5e	CAT6	CAT5e	CAT6	CAT5e
5 W	1050 m	950 m	1050 m	950 m	1050 m	950 m
10 W	600 m	450 m	1050 m	950 m	1050 m	950 m
15 W	該当 なし	該当な し	700 m	550 m	1000 m	800 m
20 W	該当 なし	該当な し	500 m	350 m	750 m	600 m
25 W	該当 なし	該当な し	該当 なし	該当な し	600 m	450 m

1. AXIS T8003 PS57またはPower Supply DIN PS56

データ範囲

レート	CAT6	CAT5e
100 Base-T	820 m	690 m
10 Base-T	1050 m	950 m

注意

ケーブルの実際の距離は、ケーブルの品質と太さ、コネクタ、カメラの消費電力などによって変わります。電源

とベースユニット間、またはデバイスユニットとカメラ間のネットワークケーブルの推奨最大長は100 mです。

安全情報

危険レベル

▲危険

回避しない場合、死亡または重傷につながる危険な状態を示します。

▲警告

回避しない場合、死亡または重傷につながるおそれのある危険な状態を示します。

▲注意

回避しない場合、軽傷または中程度の怪我につながるおそれのある危険な状態を示します。

注記

回避しない場合、器物の破損につながるおそれのある状態を示します。

安全手順

▲警告

本製品の設置は、お使いになる地域の法律や規制に準拠して、訓練を受けた専門技術者が行ってください。

注記

- 本製品は、お使いになる地域の法律や規制に準拠して使用してください。
- Axisは、シールドネットワークケーブル (STP) の使用を推奨します。
- Axisは、カテゴリ-CAT5e以上のネットワークケーブルの使用を推奨します。
- 本製品を屋外またはそれに準じる環境で使用する場合は、認定済みの屋外用筐体に収納して設置する必要があります。
- 本製品は乾燥した換気のよい環境に保管してください。
- 本製品に衝撃または強い圧力を加えないでください。
- 本製品に振動を加えないでください。
- 本製品を不安定なポール、ブラケット、表面、または壁に設置しないでください。
- 本製品を設置するには、適切な工具のみを使用してください。電動工具を使用して過剰な力をかけると、製品が損傷することがあります。
- 製品の技術仕様に準拠したアクセサリのみを使用してください。これらのアクセサリは、Axisまたはサードパーティから入手できます。Axisは、ご使用の製品と互換性のあるAxis給電ネットワークスイッチの使用を推奨します。
- Axisが提供または推奨する交換部品のみを使用してください。

- 製品を自分で修理しないでください。修理については、Axisサポートまたは販売代理店にお問い合わせください。

輸送

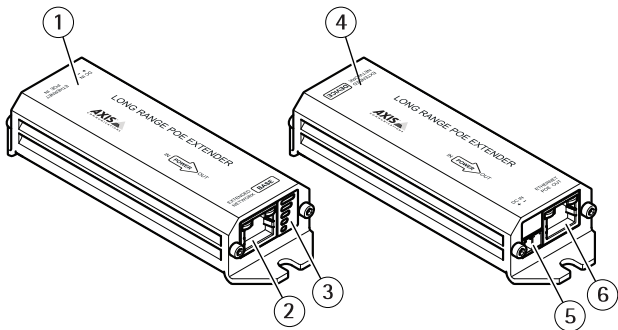
注記

- 本製品を運搬する際は、製品が損傷しないよう、元の梱包か同等の梱包を使用してください。

包装内容

- 安讯士远程 PoE 延长器底座
- 安讯士远程 PoE 延长器设备
- 2 针端子连接器（2 个）
- 安装指南（本文档）

产品概述

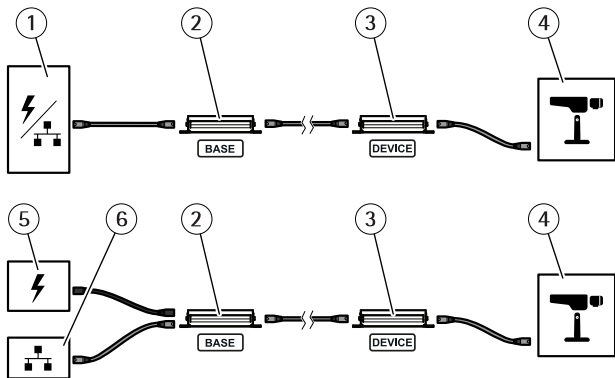


- 1 底座单元
- 2 RJ45 连接器
- 3 LED 指示灯
- 4 设备单元
- 5 电源连接器
- 6 网络连接器

如何安装产品

配置示例

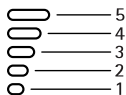
示例：PoE 供电解决方案和外部电源解决方案。



ZH

- 1 PoE 供电设备
- 2 底座单元
- 3 设备单元
- 4 摄像机
- 5 电源
- 6 网络交换机

LED 指示灯



LED	颜色/行为	指示
1	绿色。在正常运行期间常亮。	为设备启用了 5 W PoE。
1, 2		为设备启用了 10 W PoE。
1, 2, 3		为设备启用了 15 W PoE。
1, 2, 3, 4		为设备启用了 20 W PoE。
1, 2, 3, 4, 5		为设备启用了 25 W PoE。
1	绿色。在正常运行期间闪烁。	5 W PoE 可用但未为设备启用。
1, 2		10 W PoE 可用但未为设备启用。
1, 2, 3		15 W PoE 可用但未为设备启用。
1, 2, 3, 4		20 W PoE 可用但未为设备启用。
1, 2, 3, 4, 5		25 W PoE 可用但未为设备启用。

1	红色。在检测到错误或故障时闪烁。	PoE 功耗超出了可用的 5 W。
1, 2		PoE 功耗超出了可用的 10 W。
1, 2, 3		PoE 功耗超出了可用的 15 W。
1, 2, 3, 4		PoE 功耗超出了可用的 20 W。
1, 2, 3, 4, 5		PoE 功耗超出了可用的 25 W。
3, 4, 5	红色。在检测到错误或故障时闪烁。	PoE 因电压低被禁用。
2, 3, 4		为摄像机启用 PoE 因过载被拒绝。
2, 3, 5		为摄像机启用 PoE 因短路被拒绝。
2, 4, 5		为摄像机启用 PoE 因签名失败被拒绝。
2, 3, 4, 5		为摄像机启用 PoE 因高温被拒绝。
1, 3, 4		基于远程 PoE 延长器的 PoE 因过载被拒绝。
1, 3, 5		基于远程 PoE 延长器的 PoE 因短路被拒绝。
1, 4, 5		基于远程 PoE 延长器的 PoE 因签名失败被拒绝。
1, 3, 4, 5		基于远程 PoE 延长器的 PoE 因高温被拒绝。

AXIS Long Range PoE Extender Kit

1, 2, 4, 5		基于远程 PoE 延长器的 PoE 已启用但无以太网链路。
1	橙色。当检测到性能问题但设备仍在运行时闪烁。	PoE 功耗接近 5 W。
1, 2		PoE 功耗接近 10 W。
1, 2, 3		PoE 功耗接近 15 W。
1, 2, 3, 4		PoE 功耗接近 20 W。
1, 2, 3, 4, 5		PoE 功耗接近 25 W。
2, 5		由于电缆长度、质量或条件，链路性能可能低于 100%。
2, 3		可用功率不足以满足摄像机的 PoE 功率等级。
2		摄像机的可用功率低于 5 W。PoE 连接至摄像机被拒。

电源规格

PoE 范围

摄像机电源	802.3af PoE 交换机		802.3at PoE Plus 交换机		安讯士电源 ¹	
	CAT6	CAT5e	CAT6	CAT5e	CAT6	CAT5e
5 瓦	1050 米 (3444 英尺)	950 米 (3116 英尺)	1050 米 (3444 英尺)	950 米 (3116 英尺)	1050 米 (3444 英尺)	950 米 (3116 英尺)
10 瓦	600 米 (1968 英尺)	450 米 (1476 英尺)	1050 米 (3444 英尺)	950 米 (3116 英尺)	1050 米 (3444 英尺)	950 米 (3116 英尺)
15 瓦	不适用	不适用	700 米 (2296 英尺)	550 米 (1804 英尺)	1000 米 (3280 英尺)	800 米 (2624 英尺)
20 瓦	不适用	不适用	500 米 (1640 英尺)	350 米 (1148 英尺)	750 米 (2460 英尺)	600 米 (1968 英尺)
25 瓦	不适用	不适用	不适用	不适用	600 米 (1968 英尺)	450 米 (1476 英尺)

ZH

1. AXIS T8003 PS57 或电源 DIN PS56

数据范围

速率	CAT6	CAT5e
100 Base-T	820 米 (2690 英尺)	690 米 (2250 英尺)
10 Base-T	1050 米 (3500 英尺)	950 米 (3100 英尺)

备注

电缆的实际距离取决于多个因素，如电缆质量、电缆厚度、连接器和摄像机功耗。电源和底座单元之间或设备单元和摄像机之间的建议最大网络电缆长度为 100 米。

安全信息

危险等级

危险

表示如果不避免则会导致死亡或严重伤害的危险情况。

警告

表示如果不避免则可能导致死亡或严重伤害的危险情况。

小心

表示如果不避免则可能导致轻微或中度伤害的危险情况。

注意

表示如果不避免则可能导致财产损失的情况。

安全说明

警告

安讯士产品应由受过培训的专业人员进行安装，并遵守当地法律和法规。

注意

- 使用安讯士产品时应遵守当地法律和法规。
- 安讯士推荐使用屏蔽网络电缆 (STP)。
- 安讯士建议使用类别 CAT5e 或更高级别的网线。
- 要在室外或类似环境中使用安讯士产品，应将该产品安装在获得批准的室外防护罩中。
- 在干燥通风的环境中存放安讯士产品。
- 避免将安讯士产品暴露在冲击或高压环境下。
- 避免将安讯士产品暴露在振动环境下。
- 请勿将产品安装在不稳固的立杆、支架、表面或墙壁上。
- 安装安讯士产品时，仅使用适用的工具。使用电动工具过度施力可能导致产品损坏。
- 仅使用符合产品技术规格的附件。这些附件可由安讯士或第三方提供。安讯士推荐使用与产品兼容的安讯士电源设备。
- 仅使用安讯士提供或推荐的备件。
- 请勿尝试自行维修产品。有关服务事项，请联系安讯士支持部门或安讯士经销商。

运输

注意

- 安讯士产品运输途中，应使用其原包装或等效包装，以防对产品造成损坏。

Installation Guide

AXIS Long Range PoE Extender Kit

© Axis Communications AB, 2019

Ver. M2.3

Date: November 2019

Part No. 2070803