

ENGLISH

FRANÇAIS

DEUTSCH

ITALIANO

ESPAÑOL

日本語

中文

YP3040 Pan-Tilt Motor

Installation Guide

YP3040 Pan-Tilt Motor

Package Contents

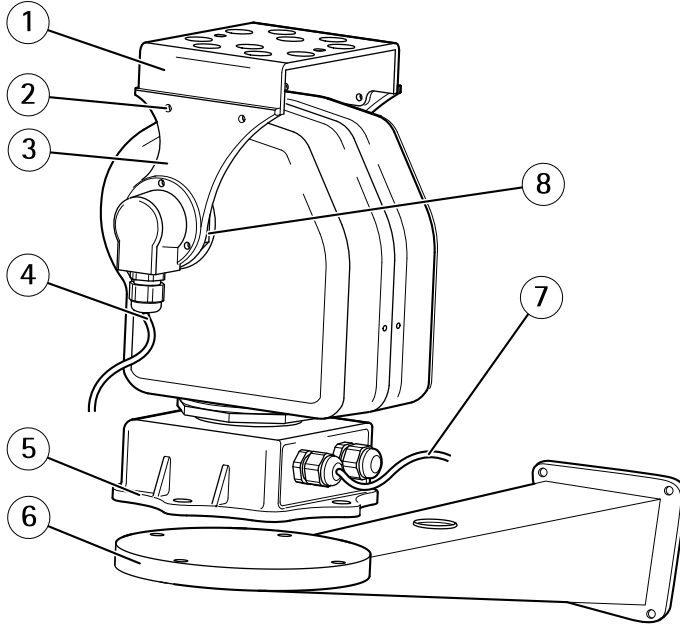
- Y3040 Pan-Tilt Motor
- Mounting kit
 - 4 screws M5x10 for mounting the camera housing on the adapter bracket
 - 4 bolts for mounting the pan-tilt motor on the recommended wall bracket
 - 1 allen key
 - Adapter Bracket A (premounted) and B
- Printed materials
 - Installation Guide (this document)
 - Drill template (with YP3040 Wall Bracket)

Recommended Accessories

- YP3040 Wall Bracket for YP3040 Pan-Tilt Motor
- AXIS PS24 Mains Adaptor, power supply input 100–230 V AC, suitable for indoor and outdoor use

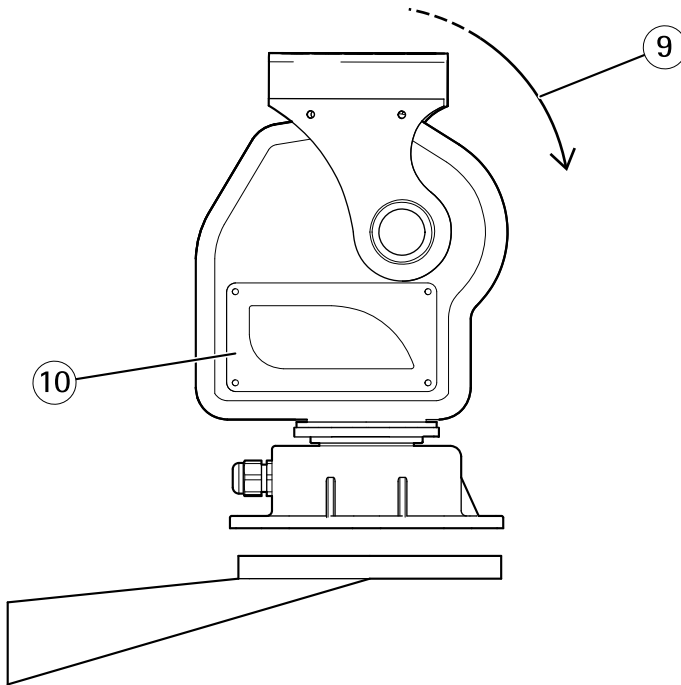
Hardware Overview

Product Overview



- 1 Adapter bracket
- 2 Mounting screw (4x)
- 3 Brace
- 4 PTZ control cable RS485
- 5 Mounting base
- 6 Wall bracket (recommended accessory)
- 7 Power supply cable 24 V AC
- 8 Brace axis

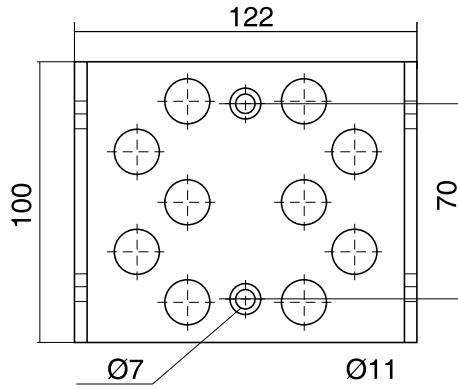
YP3040 Pan-Tilt Motor



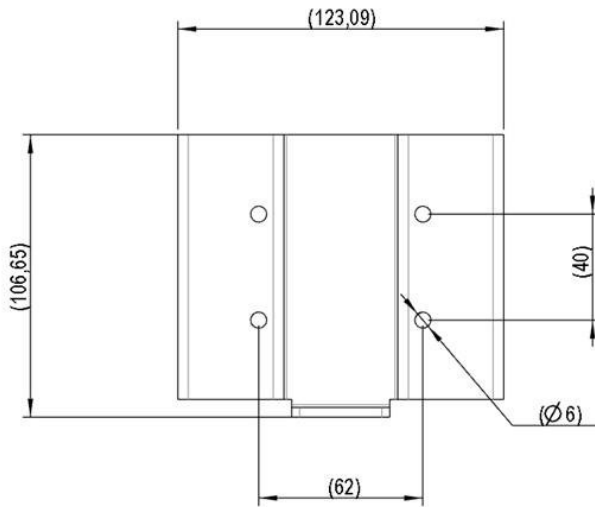
- 9 *Direction of tilt*
- 10 *Side panel*

Adapter Bracket Dimensions

Mounting holes for housing/camera.



Adaptor Bracket A



Adaptor Bracket B

YP3040 Pan-Tilt Motor

How to Install the Product

Install the Hardware

This installation guide provides instructions for installing the YP3040 Pan-Tilt Motor.

1. Install the wall bracket
2. Install the pan-tilt motor
3. Install the camera in the housing
4. Install the housing on the Pan-Tilt motor
5. Connect the cables

Install the Wall Bracket

1. Prepare the wall for installation of the wall bracket (recommended accessory), use the supplied drill template to position the holes. Make sure to use drill bits, screws, and plugs that are appropriate for the material.

Important

To avoid collision, make sure there is enough clearance around the pan-tilt motor and camera/camera housing (minimum clearance to the ceiling is 60 cm or 24 in. from the top edge of the wall bracket).

2. Pull the cables through the wall bracket, see *Connect the Cables on page 7*.
3. Attach the wall bracket to the wall with the round platform facing upwards.

Important

Make sure to leave enough slack to allow for the cables to twist and bend along with the unit.

Install the Pan-Tilt Motor

1. Place the pan-tilt motor on the wall bracket, see illustration on *page 3* for alignment and direction of tilt.
2. Secure the pan-tilt motor by tightening the supplied bolts.

Install the Camera in the Housing

Install the camera in the housing according to the instructions in the Installation Guide provided with the housing. Make sure to allow for the PTZ control cable to pass through the housing to the camera, see *Connect the Cables on page 7*. For more information, see the Installation Guides provided with the housing and the camera.

Install the Housing on the Pan-Tilt Motor

1. Detach the adapter bracket by removing the mounting screws on the brace, using the supplied allen key.
2. Use the supplied two countersunk screws to mount the housing on the adapter bracket.
3. Attach the adapter bracket with the housing to the brace.

Connect the Cables

1. Connect the power supply to the pan-tilt motor according to the Installation Guide supplied with the mains adaptor. The recommended mains adaptor is AXIS PS24 Mains Adaptor. For more information on this product, see the Axis web site at www.axis.com

	Wire color	Connect to
Power supply cable 24 V AC	Blue	24 V AC on power supply
	Brown	24 V AC on power supply
	Yellow/green	GND

2. Connect the PTZ control cable to the camera's RS485 port. Different camera models have different terminal connectors, be sure to follow the correct description for the installed camera. The correct connector is supplied with the Axis network camera. For more information on Axis network cameras, see the Axis web site at www.axis.com

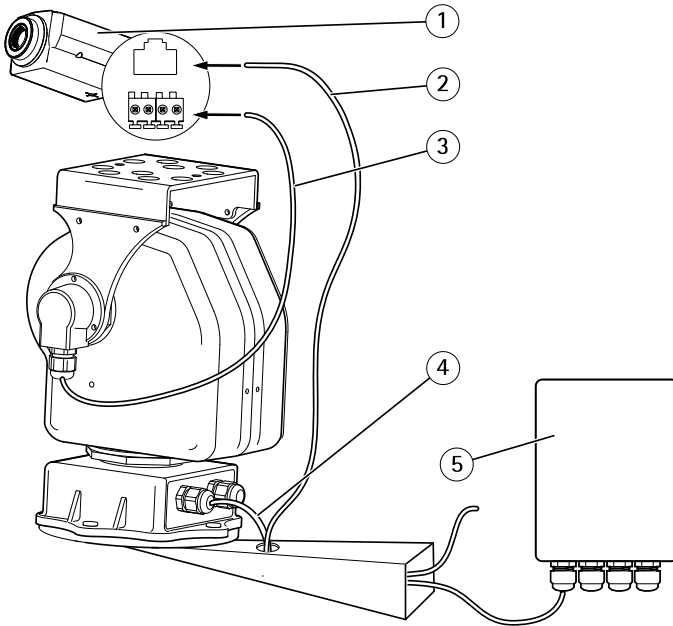
	Wire color	Connect to
PTZ control cable (RS485)	Red	A+ on camera
	Blue	B- on camera

3. Connect the camera to the network, see the Installation Guide provided with the camera.

Note

The RJ45 connector for the network cable will not pass through the cable gland on the underside of the housing. The cable must be cut, threaded through the cable gland and then re-crimped.

YP3040 Pan-Tilt Motor



- 1 Network camera
- 2 Network cable (Ethernet RJ-45 to camera)
- 3 PTZ control cable (RS485 to camera)
- 4 Power supply cable (24 V AC from mains adaptor)
- 5 Mains adaptor

Access the Product

When you install a compatible Axis network camera on the YP3040 Pan-Tilt Motor, the controls will be available from the Live View page in the camera's web pages after enabling the PTZ functionality in Setup tools. Follow these instructions to enable PTZ functionality in the camera:

1. Go to **Setup > System Options > Ports & Devices > COM Port** in the camera's web pages, and set Usage to Pan Tilt.
2. Refer to the User Manual supplied with your product for instructions on how to configure the PTZ settings.

Technical Specifications

Unit	Function	Description	
YP3040	Input voltage	24 V AC 50/60 Hz	
	Power consumption	30 VA	
	Movement range	Pan	0° to 355°
		Tilt	10° to -80°
	Movement speed	Pan	7.5°/s
		Tilt	6°/s
	Protocol (default)	Pelco-D	
	Bit rate (default)	2400 bps	
	Address (default)	1	
	Operating temperature	-20°C to 65°C (-4°F to 149°F)	
	Load	Torque (brace axis, see page 6)	1.5 N m (1.1 ft. lb)
		Load type	Top load
		Maximum load	8 kg (17.6 lb)
	Weight	4.2 kg (9.3 lb)	
Protection class	IP66 (indoor and outdoor use)		
Construction	Aluminum alloy		

YP3040 Pan-Tilt Motor

Troubleshooting

Problem	Probable cause	Remedy
YP3040 does not move	No power applied	Check that power supply is connected
	Faulty connection in power supply	Check that power supply cable is intact and connected correctly
YP3040 moves when power is applied, but is otherwise unresponsive to commands	Faulty RS485 cable connection to network camera	Check that RS485 cable is intact and connected correctly
	PTZ functionality not enabled in network camera	Check that PTZ functionality is enabled in Setup tools, see <i>Access the Product</i>

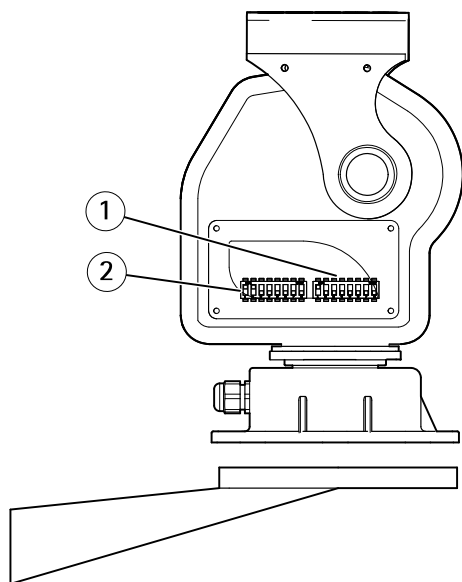
About the DIP Switch Settings

The transmission between the motor and the camera will not work if the camera uses a different protocol and bit rate than the motor. For cameras with a different protocol than the Pelco-D and bit rate of 2400 bps, the dip switches must be changed, see *Change the DIP Switch Settings on page 12*.

Note

The default factory settings of the YP3040 Pan-Tilt Motor are the Pelco-D protocol and a bit rate of 2400 bps. This means that the DIP switch settings do not need to be changed when using the motor with an Axis network camera with the Pelco-D protocol.

The YP3040 Pan-Tilt Motor has two sets of 8 digital DIP switches.



- 1 Select adress
- 2 Select function

The 8 switches on the left-hand side are used to select functions such as protocol, bit rate, and terminal resistance. The 8 switches on the right-hand side are used to select multiple unique addresses when connecting several units in a series through a multi-channel video server. There are 255 different switch combinations.

Note

In a typical installation only the one default address is required.

Change the DIP Switch Settings

- Loosen the four side panel mounting screws and remove the side panel.
- Set the eight switches to select functions. Switches 1, 2, 3, and 4 are used to select the PTZ control protocol. Switch 7 is always OFF. Switch 8 is used to connect a terminal resistance of 120 Ω, switch to ON when required.

Select functions		1	2	3	4	5	6	7	8
Protocol	Pelco-D (default)	ON	ON	OFF	OFF				
	Pelco-P	OFF	ON	OFF	OFF				
	AD/AB	OFF	OFF	ON	OFF				
Bit rate	2400 bps					OFF	OFF		
	4800 bps					ON	OFF		
	9600 bps					OFF	ON		
	19200 bps					ON	ON		
Terminal resistance	OFF (default)								OFF
	120 Ω								ON
								OFF	

- Set the 8 switches to select address.

Select functions	1	2	3	4	5	6	7	8
1 (default)	ON	OFF	OFF	OFF	OFF	OFF	OFF	OFF
2	OFF	ON	OFF	OFF	OFF	OFF	OFF	OFF
3	ON	ON	OFF	OFF	OFF	OFF	OFF	OFF
4	OFF	OFF	ON	OFF	OFF	OFF	OFF	OFF
5	ON	OFF	ON	OFF	OFF	OFF	OFF	OFF
...							
254	OFF	ON	ON	ON	ON	ON	ON	ON
255	ON	ON	ON	ON	ON	ON	ON	ON

4. Replace the side panel and tighten the screws.

YP3040 Pan-Tilt Motor

Further information

- For the latest version of this document, see www.axis.com
- To check if there is updated firmware available for your product, see www.axis.com/support
- For useful online trainings and webinars, see www.axis.com/academy

Optional Accessories

For a complete list of available accessories for this product, see www.axis.com

Legal Considerations

Video and audio surveillance can be regulated by laws that vary from country to country. Check the laws in your local region before using this product for surveillance purposes.

Liability

Every care has been taken in the preparation of this document. Please inform your local Axis office of any inaccuracies or omissions. Axis Communications AB cannot be held responsible for any technical or typographical errors and reserves the right to make changes to the product and manuals without prior notice. Axis Communications AB makes no warranty of any kind with regard to the material contained within this document, including, but not limited to, the implied warranties of merchantability and fitness for a particular purpose. Axis Communications AB shall not be liable nor responsible for incidental or consequential damages in connection with the furnishing, performance or use of this material. This product is only to be used for its intended purpose.

Intellectual Property Rights

Axis AB has intellectual property rights relating to technology embodied in the product described in this document. In particular, and without limitation, these intellectual property rights may include one or more of the patents listed at www.axis.com/patent.htm and one or more additional patents or pending patent applications in the US and other countries.

Equipment Modifications


This equipment must be installed and used in strict accordance with the instructions given in the user documentation. This equipment contains no user-serviceable components. Unauthorized equipment changes or modifications will invalidate all applicable regulatory certifications and approvals.

Trademark Acknowledgments

AXIS COMMUNICATIONS, AXIS, ETRAX, ARTPEC and VAPIX are registered trademarks or trademark applications of Axis AB in various jurisdictions. All other company names and products are trademarks or registered trademarks of their respective companies.

Regulatory Information

Europe

 This product complies with the applicable CE marking directives and harmonized standards:

- Electromagnetic Compatibility (EMC) Directive 2014/30/EU. See *Electromagnetic Compatibility (EMC)* on page 15.
- Low Voltage (LVD) Directive 2014/35/EU. See .
- Restrictions of Hazardous Substances (RoHS) Directive 2011/65/EU. See *Disposal and Recycling* on page 15.

A copy of the original declaration of conformity may be obtained from Axis Communications AB. See *Contact Information* on page 16.

Electromagnetic Compatibility (EMC)

This equipment has been designed and tested to fulfill applicable standards for:

- Radio frequency emission when installed according to the instructions and used in its intended environment.
- Immunity to electrical and electromagnetic phenomena when installed according to the instructions and used in its intended environment.

USA

This equipment has been tested using a shielded network cable (STP) and found to comply with the limits for a Class A digital device, pursuant to part 15 of the FCC Rules. These limits are designed to provide reasonable protection against harmful interference when the equipment is operated in a commercial environment. This equipment generates, uses, and can radiate radio frequency energy and, if not installed and used in accordance with the instruction manual, may cause harmful interference to radio communications. Operation of this equipment in a residential area is likely to cause harmful interference in which case the user will be required to correct the interference at his own expense. The product shall be connected using a shielded network cable (STP) that is properly grounded.

Canada

This digital apparatus complies with CAN ICES-3 (Class A). The product shall be connected using a shielded network cable (STP) that is properly grounded. Cet appareil numérique est conforme à la norme NMB ICES-3 (classe A). Le produit doit être connecté à l'aide d'un câble réseau blindé (STP) qui est correctement mis à la terre.

Europe

This digital equipment fulfills the requirements for RF emission according to the Class A limit of EN 55022. The product shall be connected using a shielded network cable (STP) that is properly grounded. Notice! This is a Class A product. In a domestic environment this product may cause RF interference, in which case the user may be required to take adequate measures.

This product fulfills the requirements for immunity according to EN 55024 office and commercial environments.

Australia/New Zealand

This digital equipment fulfills the requirements for RF emission according to the Class A limit of AS/NZS CISPR 22. The product shall be connected using a shielded network cable (STP) that is properly grounded. Notice! This is a Class A product. In a domestic environment this product may cause RF interference, in which case the user may be required to take adequate measures.

Japan

この装置は、クラスA情報技術装置です。この装置を家庭環境で使用すると電波妨害を引き起こすことがあります。この場合には使用者が適切な対策を講ずるよう要求されることがあります。本製品は、シールドネットワークケーブル(STP)を使用して接続してください。また適切に接地してください。

Korea

이 기기는 업무용(A급) 전자파적합기기로서 판매자 또는 사용자는 이 점을 주의하시기 바라며, 가정외의 지역에서 사용하는 것을 목적으로 합니다. 적절히 접지된 STP (shielded twisted pair) 케이블을 사용하여 제품을 연결하십시오.

Disposal and Recycling

When this product has reached the end of its useful life, dispose of it according to local laws and regulations. For information about your nearest designated collection point, contact your local authority responsible for waste disposal. In accordance with local legislation, penalties may be applicable for incorrect disposal of this waste.

Europe



This symbol means that the product shall not be

disposed of together with household or commercial waste. Directive 2012/19/EU on waste electrical and electronic equipment (WEEE) is applicable in the European Union member states. To prevent potential harm to human health and the environment, the product must be disposed of in an approved and environmentally safe recycling process. For information about your nearest designated collection point, contact your local authority responsible for waste disposal. Businesses should contact the product supplier for information about how to dispose of this product correctly.

This product complies with the requirements of Directive 2011/65/EU on the restriction of the use of certain hazardous substances in electrical and electronic equipment (RoHS).

China



This product complies with the requirements of the legislative act Administration on the Control of Pollution Caused by Electronic Information Products (ACPEIP).

Contact Information

Axis Communications AB
Emdalavägen 14
223 69 Lund
Sweden

Tel: +46 46 272 18 00

Fax: +46 46 13 61 30

www.axis.com

Warranty Information

For information about Axis' product warranty and thereto related information, see www.axis.com/warranty/

Support

Should you require any technical assistance, please contact your Axis reseller. If your questions cannot be answered immediately, your reseller will forward your queries through the appropriate channels to ensure a rapid response. If you are connected to the Internet, you can:

- download user documentation and software updates
- find answers to resolved problems in the FAQ database. Search by product, category, or phrase
- report problems to Axis support staff by logging in to your private support area
- chat with Axis support staff
- visit Axis Support at www.axis.com/techsup/

Learn More!

Visit Axis learning center www.axis.com/academy/ for useful trainings, webinars, tutorials and guides.

Safety Information

Read through this Installation Guide carefully before installing the product. Keep the Installation Guide for future reference.

Hazard Levels

▲DANGER

Indicates a hazardous situation which, if not avoided, will result in death or serious injury.

▲WARNING

Indicates a hazardous situation which, if not avoided, could result in death or serious injury.

▲CAUTION

Indicates a hazardous situation which, if not avoided, could result in minor or moderate injury.

NOTICE

Indicates a situation which, if not avoided, could result in damage to property.

Other Message Levels

Important

Indicates significant information which is essential for the product to function correctly.

Note

Indicates useful information which helps in getting the most out of the product.

YP3040 Pan-Tilt Motor

Safety Instructions

NOTICE

- The Axis product shall be used in compliance with local laws and regulations.
- Store the Axis product in a dry and ventilated environment.
- Avoid exposing the Axis product to shocks or heavy pressure.
- Do not install the product on unstable poles, brackets, surfaces or walls.
- Use only applicable tools when installing the Axis product. Using excessive force with power tools could cause damage to the product.
- Do not use chemicals, caustic agents, or aerosol cleaners.
- Use a clean cloth dampened with pure water for cleaning.
- Use only accessories that comply with the technical specification of the product. These can be provided by Axis or a third party.
- Use only spare parts provided by or recommended by Axis.
- Do not attempt to repair the product yourself. Contact Axis support or your Axis reseller for service matters.

NOTICE

- Protect the power supply cable from any damage; pay special attention to plug fittings, extensions and outputs.
- Install a surge protector to protect the motor from power surges.
- Avoid using excessively long installation wires in order to prevent fire or electrical shocks.

Important

- Keep the motor clear of unidentified objects or corrosive liquids since that may cause the motor to short circuit.
- Do not touch the motor during operation.
- Do not install or operate the motor on dangerous sites that store inflammable or explosive objects.

Transportation

NOTICE

- When transporting the Axis product, use the original packaging or equivalent to prevent damage to the product.

Table des matières

Package Contents	2
Hardware Overview	3
Product Overview	3
How to Install the Product	6
Install the Hardware	6
Access the Product	8
Technical Specifications	9
Troubleshooting	10
About the DIP Switch Settings	11
Change the DIP Switch Settings	12
Further information	14
Optional Accessories	14
Safety Information	17
Hazard Levels	17
Other Message Levels	17
Safety Instructions	18
Transportation	18
Contenu de l'emballage	22
Aperçu du matériel	23
Vue d'ensemble du produit	23
Comment installer le produit	26
Installation du matériel	26
Utilisez le produit	28
Caractéristiques techniques	29
Dépannage	30
À propos des paramètres du commutateur DIP	31
Modification des paramètres du commutateur DIP	32
Informations complémentaires	34
Accessoires en option	34
Informations sur la sécurité	37
Niveaux de risques	37
Autres niveaux de message	37
Consignes de sécurité	38
Transport	38
Lieferumfang	42
Übersicht über die Hardware	43
Produktübersicht	43
Installieren des Produkts	46
Installieren der Hardware	46
Zugriff auf das Produkt	48
Technische Daten	49
Fehlerbehebung	50
Informationen zu DIP-Schalter-Einstellungen	51

Table des matières

Ändern der DIP-Schalter-Einstellungen	52
Weitere Informationen	54
Optionales Zubehör	54
Sicherheitsinformation	57
Gefährdungstufen	57
Weitere Nachrichtestufen	57
Sicherheitsanweisungen	58
Transport	58
Contenuto della confezione	59
Panoramica dell'hardware	60
Panoramica del dispositivo	60
Come installare il dispositivo	63
Installazione dell'hardware	63
Accesso al dispositivo	65
Specifiche tecniche	66
Risoluzione di problemi	67
Informazioni sulle impostazioni dei DIP switch	68
Modifica delle impostazioni dei DIP switch	69
Ulteriori informazioni	71
Accessori opzionali	71
Informazioni di sicurezza	75
Livelli di pericolo	75
Altri livelli di messaggio	75
Informazioni di sicurezza	76
Trasporto	76
Contenido del paquete	77
Información general del hardware	78
Información general del producto	78
Cómo instalar el producto	81
Instalación del hardware	81
Acceso al producto	83
Especificaciones técnicas	84
Solución de problemas	85
Acerca de la configuración del switch DIP	86
Cambiar la configuración del switch DIP	87
Más información	90
Accesorios opcionales	90
Información de seguridad	93
Niveles de peligro	93
Otros niveles de mensaje	93
Instrucciones de seguridad	94
Transporte	94
パッケージの内容	95

Table des matières

ハードウェアの概要	96
製品の概要	96
製品の取り付け方法	99
ハードウェアの設置	99
製品へのアクセス	101
技術仕様	103
トラブルシューティング	104
DIP スイッチの設定について	105
DIP スイッチの設定の変更	106
関連情報	108
オプションアクセサリ	108
安全情報	111
危険レベル	111
その他のメッセージレベル	111
安全手順	112
輸送	112
包装内容	113
硬件概覧	114
产品概述	114
如何安装该产品	117
安装硬件	117
访问产品	119
技术规格	120
故障排除	121
关于拨码开关设置	122
更改拨码开关设置	123
更多信息	125
可选附件	125
安全信息	129
危险等级	129
其它消息等级	129
安全说明	130
运输	130

YP3040 Pan-Tilt Motor

Contenu de l'emballage

- Moteur panoramique/inclinaison YP3040
- Kit de montage
 - 4 vis M5x10 pour fixer le boîtier de la caméra sur le support de l'adaptateur
 - 4 boulons pour fixer le moteur panoramique/inclinaison sur le support mural recommandé
 - 1 clé hexagonale
 - Support de l'adaptateur A (prémonté) et B
- Documents imprimés
 - Guide d'installation (ce document)
 - Gabarit de perçage (avec support mural YP3040)

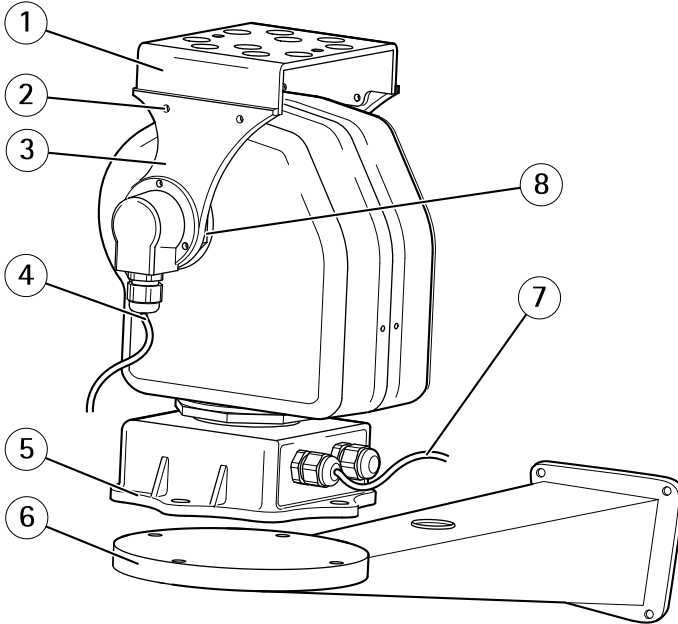
Accessoires recommandés

- Support mural YP3040 pour moteur panoramique/inclinaison YP3040
- Adaptateur secteur de l'AXIS PS24, entrée bloc d'alimentation 100–230V CA (utilisation intérieure et extérieure)

Aperçu du matériel

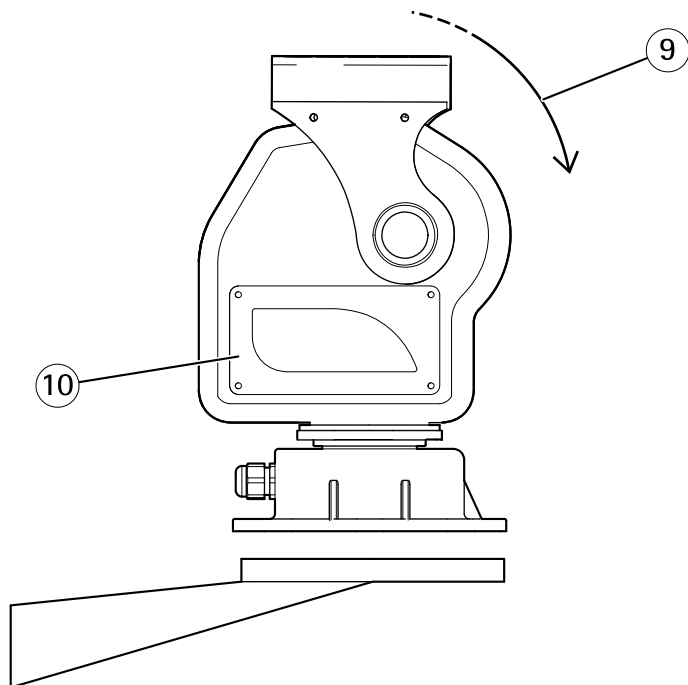
Pour connaître les caractéristiques des composants matériels, consultez .

Vue d'ensemble du produit



- 1 Support d'adaptateur
- 2 Vis de fixation (4x)
- 3 Support de renfort
- 4 Câble de contrôle PTZ RS485
- 5 Base de fixation
- 6 Support mural (accessoire recommandé)
- 7 Câble du bloc d'alimentation 24 V CA
- 8 Axe du support de renfort

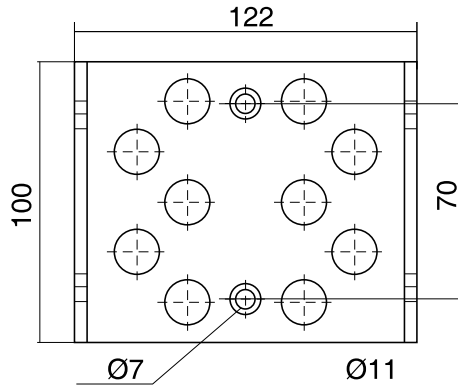
YP3040 Pan-Tilt Motor



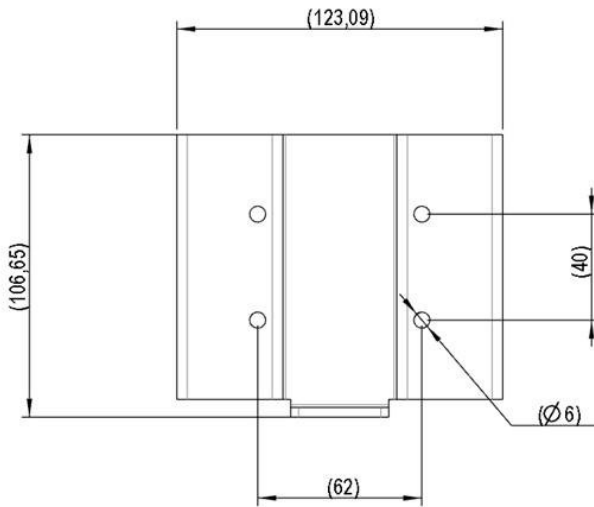
- 9 *Orientation d'inclinaison*
10 *Panneau latéral*

Dimensions du support de l'adaptateur

Trous de fixation du boîtier/de la caméra



Support de l'adaptateur A



Support de l'adaptateur B

Comment installer le produit

Installation du matériel

Ce guide d'installation fournit des instructions pour l'installation du moteur panoramique/inclinaison YP3040.

1. Installation du support mural
2. Installation du moteur panoramique/inclinaison
3. Installez la caméra dans le boîtier
4. Fixation du boîtier au moteur panoramique/inclinaison
5. Branchement des câbles

Installation du support mural

1. Préparez le mur pour installer le support mural (accessoire recommandé) en marquant les emplacements des trous à l'aide du modèle de perçage fourni. Assurez-vous d'utiliser les forets, les vis et les chevilles qui soient appropriés pour le matériau.

Important

Pour éviter des chocs, assurez-vous que l'espace entre le moteur panoramique/inclinaison et la caméra ou le boîtier de celle-ci est bien dégagé (la distance entre le plafond et le bord supérieur du support mural doit être de 60 cm ou 24 po au minimum).

2. Tirez les câbles à travers le support mural, voir *Branchement des câbles page 27*.
3. Fixez le support mural (plateforme circulaire tournée vers le haut).

Important

Veillez à maintenir suffisamment de jeu pour permettre la torsion des câbles et leur repli le long de l'unité.

Installation du moteur panoramique/inclinaison

1. Placez le moteur Pan-Tilt sur le support mural. Reportez-vous à l'illustration *page 23* pour l'alignement et la direction de l'inclinaison.
2. Fixez le moteur panoramique/inclinaison en serrant les boulons fournis.

Installation de la caméra dans le boîtier

Installez la caméra dans le boîtier conformément aux instructions décrites dans le guide d'installation fourni avec le boîtier. Veillez à pouvoir faire passer le câble de contrôle PTZ à travers le boîtier vers la caméra, reportez-vous à la section *Branchement des câbles page 27*. Pour plus d'informations, consultez les guides d'installation fournis avec le boîtier et la caméra.

Fixation du boîtier au moteur panoramique/inclinaison

1. Retirez le support de l'adaptateur en déposant les vis du support de renfort à l'aide de la clé Allen fournie.
2. Fixez le boîtier sur le support de l'adaptateur à l'aide des deux vis à tête fraisée fournies.
3. Fixez le support de l'adaptateur portant le boîtier au support de renfort.

Branchement des câbles

1. Branchez le bloc d'alimentation au moteur panoramique/inclinaison en suivant le guide d'installation fourni avec l'adaptateur secteur. Il est recommandé d'utiliser l'adaptateur secteur AXIS PS24. Pour plus d'informations sur ce produit, visitez le site Web d'Axis www.axis.com

	Couleur du fil	Connecter à
Câble du bloc d'alimentation 24 V CA	Bleu	24 V CA sur le bloc d'alimentation
	Marron	24 V CA sur le bloc d'alimentation
	Jaune/vert	Terre

2. Branchez le câble de contrôle PTZ au port RS485 de la caméra. Les connecteurs pour terminaux des différents modèles de caméra sont dissemblables. Veuillez à bien suivre la description appropriée pour la caméra installée. Le connecteur adapté est fourni avec la caméra réseau Axis. Pour plus d'informations sur les caméras réseau Axis, visitez le site Web d'Axis à l'adresse : www.axis.com

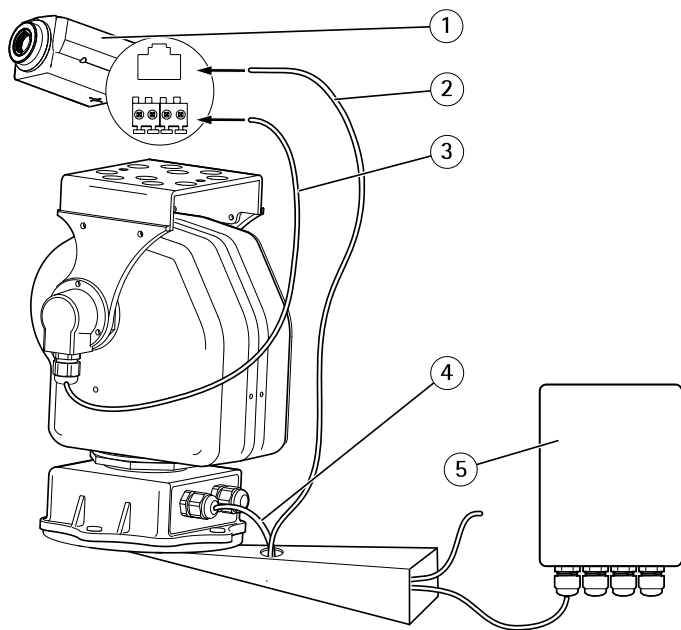
	Couleur du fil	Connecter à
Câble de contrôle PTZ (RS485)	Rouge	A+ sur la caméra
	Bleu	B- sur la caméra

3. Connectez la caméra au réseau, consultez le guide d'installation fourni avec la caméra.

Note

Le connecteur RJ45 pour le câble réseau ne passera pas à travers le presse-étoupe sur le dessous du boîtier. Il est nécessaire de séparer le câble, de le faire passer à travers le presse-étoupe et de l'onduler à nouveau.

YP3040 Pan-Tilt Motor



- 1 *Caméra réseau*
- 2 *Câble réseau (Ethernet RJ-45 vers la caméra)*
- 3 *Câble de commande panoramique/inclinaison/zoom (RS485 vers la caméra)*
- 4 *Câble du bloc d'alimentation (24 V CA depuis l'adaptateur secteur)*
- 5 *Adaptateur secteur*

Utilisez le produit

Lorsque vous installez une caméra réseau Axis compatible sur votre moteur panoramique/inclinaison YP3040, vous devez activer la fonctionnalité PTZ dans les outils de configuration pour rendre disponibles les commandes dans la page Live View (Vue en direct) des pages Web associées à la caméra. Pour activer la fonctionnalité PTZ de la caméra, procédez comme suit :

1. Dans les pages Web associées à la caméra, choisissez **Setup > System Options > Ports & Devices > COM Port** (Configuration/Options système/Ports et périphériques/Port COM), puis définissez Usage (Utilisation) sur Pan Tilt (Panoramique/Inclinaison).
2. Pour obtenir des instructions sur la configuration des paramètres PTZ, consultez le manuel de l'utilisateur fourni avec votre produit.

Caractéristiques techniques

Appareil+	Fonction	Description	
YP3040	Tension d'entrée	24 V CA 50/60 Hz	
	Consommation électrique	30 VA	
	Plage de mouvements	Panoramique	0° à 355°
		Inclinaison	10° à -80°
	Vitesse de mouvement	Panoramique	7,5°/s
		Inclinaison	6°/s
	Protocole (par défaut)	Pelco-D	
	Débit binaire (par défaut)	2 400 bits/seconde	
	Adresse (par défaut)	1	
	Température d'exploitation	-20°C à 65°C (-4°F à 149°F)	
	Charge	Couple (axe de support de renfort, reportez-vous à la page 6)	1,5 Nm (1,1 pi lb)
		Type de charge	Charge verticale
		Charge maximale	8 kg (17,6 lb)
	Poids	4,2 kg (9,3 lb)	
Niveau de protection	IP66 (utilisation intérieure et extérieure)		
Construction	Alliage en aluminium		

YP3040 Pan-Tilt Motor

Dépannage

Problème	Cause probable	Solution
YP3040 (aucun mouvement)	Aucune tension	Vérifiez que le bloc d'alimentation est branché
	Branchement du bloc d'alimentation incorrect	Vérifiez que le câble du bloc d'alimentation est intact et qu'il est correctement branché
YP3040 effectue des mouvements lors de la mise sous tension, mais ne répond pas aux commandes	Connexion incorrecte du câble RS485 à la caméra réseau	Vérifiez que le câble RS485 est intact et qu'il est correctement branché
	Fonctionnalité PTZ de la caméra réseau non activée	Vérifiez que la fonctionnalité PTZ est activée dans les outils de configuration, reportez-vous à la section <i>Utilisez le produit</i>

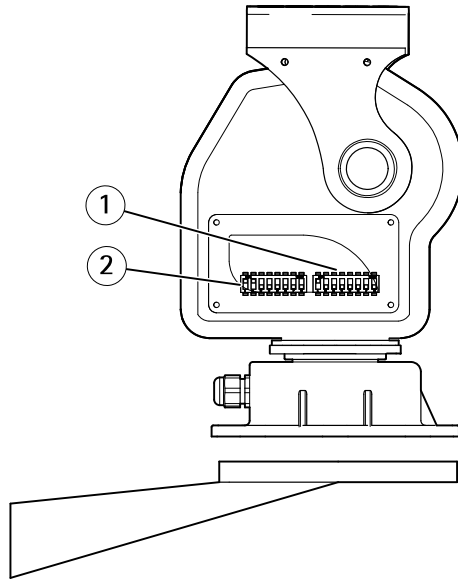
À propos des paramètres du commutateur DIP

La transmission entre le moteur et la caméra échoue si cette dernière utilise un protocole et un débit binaire différents de ceux du moteur. Vous devez remplacer les commutateurs DIP des caméras qui utilisent un protocole et un débit binaire différents de Pelco-D et 2 400 bits/seconde, reportez-vous à la section *Modification des paramètres du commutateur DIP* page 32.

Note

Les paramètres d'usine par défaut de votre Moteur panoramique/inclinaison YP3040 sont le protocole Pelco-D et un débit binaire de 2 400 bits/seconde. Il n'est donc pas nécessaire de modifier les paramètres du commutateur DIP lorsque vous utilisez le moteur avec une caméra réseau Axis utilisant le protocole Pelco-D.

Un Moteur panoramique/inclinaison YP3040 comprend deux ensembles de huit commutateurs DIP numériques.



- 1 Sélection d'adresse
- 2 Sélection de fonction

Les huit commutateurs situés sur le côté gauche servent à sélectionner des fonctions telles que le protocole, le débit binaire ou la résistance pour terminaux. Les huit commutateurs situés sur le côté droit servent à sélectionner plusieurs adresses uniques lors de la connexion de plusieurs caméras d'une série à l'aide d'un serveur vidéo multi-canaux. Il existe 255 types de combinaison de commutateurs.

Note

Pour une installation standard, seule l'adresse par défaut est requise.

Modification des paramètres du commutateur DIP

1. Desserrez les quatre vis de fixation du panneau latéral, puis retirez-le.
2. Définissez les huit commutateurs de sélection de fonction. Les commutateurs 1, 2, 3 et 4 servent à sélectionner le protocole de contrôle PTZ. Le commutateur 7 est toujours configuré sur OFF (Désactivé). Le commutateur 8 sert à connecter une résistance pour terminaux de 120 Ω , configuré sur ON (Activé) en cas de besoin.

Sélection de fonctions		1	2	3	4	5	6	7	8
Protocole	Pelco-D (par défaut)	Activé	Activé	Dés-activé	Dés-activé				
	Pelco-P	Dés-activé	Activé	Dés-activé	Dés-activé				
	AD/AB	Dés-activé	Dés-activé	Activé	Dés-activé				
Débit binaire	2 400 bits/seconde					Dés-activé	Dés-activé		
	4 800 bits/seconde					Activé	Dés-activé		
	9 600 bits/seconde					Dés-activé	Activé		
	19 200 bits/seconde					Activé	Activé		
Résistance pour terminaux	Désactivé (par défaut)								Dés-activé

Sélection de fonctions		1	2	3	4	5	6	7	8
	120 Ω								Activé
								Dés-activé	

3. Définissez les huit commutateurs de sélection d'adresse.

Sélection de fonctions	1	2	3	4	5	6	7	8
1 (par défaut)	Activé	Dés-activé	Dés-activé	Dés-activé	Dés-activé	Dés-activé	Dés-activé	Dés-activé
2	Dés-activé	Activé	Dés-activé	Dés-activé	Dés-activé	Dés-activé	Dés-activé	Dés-activé
3	Activé	Activé	Dés-activé	Dés-activé	Dés-activé	Dés-activé	Dés-activé	Dés-activé
4	Dés-activé	Dés-activé	Activé	Dés-activé	Dés-activé	Dés-activé	Dés-activé	Dés-activé
5	Activé	Dés-activé	Activé	Dés-activé	Dés-activé	Dés-activé	Dés-activé	Dés-activé
...							
254	Dés-activé	Activé	Activé	Activé	Activé	Activé	Activé	Activé
255	Activé	Activé	Activé	Activé	Activé	Activé	Activé	Activé

4. Remettez en place le panneau latéral, puis serrez les vis.

Informations complémentaires

- Pour la dernière version de ce document, consultez le site www.axis.com
- Pour vérifier si des mises à jour des logiciels sont disponibles pour votre appareil réseau, consultez le site www.axis.com/techsup.
- Pour en savoir plus sur les formations, les webinaires, les tutoriels et les guides, visitez le site www.axis.com/academy.

Accessoires en option

Pour obtenir la liste complète des accessoires disponibles pour ce produit, consultez www.axis.com

Considérations légales

La surveillance vidéo et audio peut être réglementée par la législation qui diffère selon le pays. Renseignez-vous sur les lois en vigueur dans votre région avant d'utiliser ce produit à des fins de surveillance.

Responsabilité

Ce document a été préparé avec le plus grand soin. Veuillez signaler les erreurs ou omissions à votre représentant Axis local. Axis Communications AB décline toute responsabilité en cas d'erreurs techniques ou typographiques et se réserve le droit de modifier le produit et les manuels sans préavis. Axis Communications AB ne garantit en aucun cas le contenu de ce document, y compris mais sans s'y limiter, les garanties implicites de qualité marchande et d'aptitude à répondre à un objectif particulier. Axis Communications AB ne saurait être tenu pour responsable de dommages accidentels ou consécutifs liés à l'acquisition, aux performances ou à l'utilisation de ce produit. Ce produit ne doit être utilisé que pour l'usage qui lui est destiné.

Droits de propriété intellectuelle

Axis AB possède des droits de propriété intellectuelle sur la technologie intégrée dans le produit décrit dans ce document. En particulier, et de façon non limitative, ces droits de propriété intellectuelle peuvent inclure un ou plusieurs des brevets répertoriés à l'adresse www.axis.com/patent.htm et un ou plusieurs brevets supplémentaires ou demandes de brevet en instance aux États-Unis et dans d'autres pays.

Modifications sur l'appareil

Cet appareil doit être installé et utilisé en stricte conformité avec les instructions fournies dans la documentation de l'utilisateur. Il ne contient aucun composant réparable par l'utilisateur. Les changements ou modifications non autorisés apportés à l'appareil annulent les homologations et certifications réglementaires.

Informations sur les marques déposées

AXIS COMMUNICATIONS, AXIS, ETRAX, ARTPEC et VAPIX sont des marques déposées d'Axis AB ou en cours de dépôt par Axis AB dans différentes juridictions. Tous les autres noms de sociétés et de produits sont des marques ou des marques déposées de leurs sociétés respectives.

Informations sur les exigences réglementaires

Europe

CE Cet appareil est conforme aux directives sur le marquage et aux normes harmonisées CE en vigueur :

- Directive sur la compatibilité électromagnétique (EMC) 2014/30/EU. Cf. *Compatibilité électromagnétique (CEM) page 35.*
- Directive sur la basse tension (LVD) 2014/35/EU. Cf. .
- Directive relative à la limitation de l'utilisation de certaines substances dangereuses (RoHS) 2011/65/EU. Cf. *Mise au rebut et recyclage page 35.*

Une copie de la déclaration de conformité originale peut être obtenue auprès de Axis Communications AB. Cf. *Coordonnées page 36.*

Compatibilité électromagnétique (CEM)

Cet appareil a été conçu et testé pour répondre aux normes en vigueur d' :

- émission des fréquences radio lorsqu'il est installé conformément aux instructions et utilisé dans son environnement prévu.
- immunité aux phénomènes électriques et électromagnétiques lorsqu'il est installé conformément

aux instructions et utilisé dans son environnement prévu.

États-Unis

Cet appareil a également été testé à l'aide d'un câble réseau blindé (STP) et satisfait aux limites imposées pour les appareils numériques de Classe A, conformément à l'alinéa 15 de la réglementation FCC. Ces limites sont destinées à assurer une protection raisonnable contre les interférences nuisibles lorsque l'appareil est utilisé dans un environnement commercial. Cet appareil génère, utilise et émet des fréquences radioélectriques et peut causer des interférences nuisibles dans les communications radio s'il n'est pas installé et exploité conformément aux instructions du présent manuel. L'utilisation de ce matériel dans un environnement résidentiel est susceptible de provoquer des interférences nuisibles, auquel cas l'utilisateur devra prendre, à ses frais, les mesures nécessaires pour les éliminer. Le produit doit être connecté à l'aide d'un câble réseau blindé (STP) correctement mis à la terre.

Canada

Cet appareil numérique est conforme à la norme canadienne CAN ICES-3 (Classe A). Le produit doit être connecté à l'aide d'un câble réseau blindé (STP) correctement mis à la terre. Cet appareil numérique est conforme à la norme NMB ICES-3 (classe A). Le produit doit être connecté à l'aide d'un câble réseau blindé (STP) correctement mis à la terre.

Europe

Cet appareil numérique satisfait aux exigences des émissions des fréquences radio conformément à la limite de la Classe A de la norme EN 55022. Le produit doit être connecté à l'aide d'un câble réseau blindé (STP) correctement mis à la terre. Remarque ! Il s'agit d'un appareil de Classe A. Dans un environnement domestique, cet appareil peut provoquer des interférences de fréquences radio, auquel cas l'utilisateur est appelé à prendre les mesures nécessaires.

Cet appareil satisfait aux exigences de l'immunité conformément à la norme EN 55024 relative aux environnements de bureau et commerciaux.

Australie/Nouvelle-Zélande

Cet appareil numérique satisfait aux exigences des émissions des fréquences radio conformément à la limite de la Classe A de la norme AS/NZS CISPR 22. Le produit doit être connecté à l'aide d'un câble réseau blindé (STP) correctement mis à la terre. Remarque ! Il s'agit d'un appareil de Classe A. Dans un environnement domestique, cet appareil peut provoquer des interférences de fréquences radio, auquel cas l'utilisateur est appelé à prendre les mesures nécessaires.

Japon

この装置は、クラスA情報技術装置です。この装置を家庭環境で使用すると電波妨害を引き起こすことがあります。この場合には使用者が適切な対策を講ずるよう要求されることがあります。本製品は、シールドネットワークケーブル(STP)を使用して接続してください。また適切に接地してください。

Corée

이 기기는 업무용(A급) 전자파 적합 기기로서 판매자 또는 사용자는 이 점을 주의하시기 바라며, 가정외의 지역에서 사용하는 것을 목적으로 합니다. 적절히 접지된 STP (shielded twisted pair) 케이블을 사용하여 제품을 연결하십시오.

Mise au rebut et recyclage

Lorsque cet appareil a atteint la fin de sa vie utile, mettez-le au rebut selon les lois et réglementations locales. Pour plus

d'informations sur votre point de collecte le plus proche, veuillez contacter votre autorité locale responsable de l'élimination des déchets. Conformément à la législation locale, des sanctions peuvent être appliquées en cas d'élimination incorrecte de ces déchets.

Europe



Ce symbole signifie que l'appareil ne doit pas être évacué avec les ordures ménagères ou commerciales. La Directive 2012/19/UE relative aux déchets d'équipements électriques et électroniques (DEEE) est applicable dans les États membres de l'Union. Pour prévenir tout dommage potentiel sur la santé humaine et l'environnement, l'appareil doit être mis au rebut suivant un processus de recyclage approuvé et sans danger pour l'environnement. Pour plus d'informations sur votre point de collecte le plus proche, veuillez contacter votre autorité locale responsable de l'élimination des déchets. Les entreprises doivent communiquer avec le fournisseur de l'appareil pour plus d'informations sur sa méthode de mise au rebut adéquate.

Cet appareil est conforme aux exigences de la Directive 2011/65/UE relative à la limitation de l'utilisation de certaines substances dangereuses dans les équipements électriques et électroniques (RoHS).

Chine



Cet appareil est conforme aux prescriptions de l'Administration pour le contrôle de la pollution causée par les produits d'information électroniques (ACPEIP).

Coordonnées

Axis Communications AB
Emdalavägen 14
223 69 Lund
Suède

Tél. : +46 46 272 18 00

Fax : +46 46 13 61 30

www.axis.com

Informations sur la garantie

Pour obtenir de plus amples informations sur la garantie du produit AXIS et des renseignements connexes, allez sur le site www.axis.com/warranty/

Assistance

Si vous avez besoin d'une assistance technique, contactez votre revendeur Axis. Si celui-ci n'est pas en mesure de répondre immédiatement à vos questions, il transmettra votre demande aux services compétents afin d'obtenir une réponse dans les meilleurs délais. Si vous disposez d'une connexion Internet, vous pouvez :

- télécharger la documentation de l'utilisateur et les mises à jour du logiciel ;
- consulter les réponses aux problèmes résolus dans notre base de données Foire aux questions ; effectuer une recherche par produit, catégorie ou expression ;
- signaler des problèmes au personnel d'assistance technique d'Axis en vous connectant à votre espace d'assistance personnel ;
- discuter en ligne avec le personnel d'assistance technique d'Axis
- consulter la page d'assistance technique à l'adresse www.axis.com/techsup/

Pour en savoir plus !

Visitez le Centre d'apprentissage Axis www.axis.com/academy/ pour obtenir des formations, des webinaires, des didacticiels et des guides.

Informations sur la sécurité

Lisez attentivement ce guide d'installation avant d'installer l'appareil. Conservez le guide d'installation pour toute référence ultérieure.

Niveaux de risques

▲DANGER

Indique une situation dangereuse qui, si elle n'est pas évitée, entraînera le décès ou des blessures graves.

▲AVERTISSEMENT

Indique une situation dangereuse qui, si elle n'est pas évitée, pourrait entraîner le décès ou des blessures graves.

▲ATTENTION

Indique une situation dangereuse qui, si elle n'est pas évitée, pourrait entraîner des blessures légères ou modérées.

AVIS

Indique une situation qui, si elle n'est pas évitée, pourrait endommager l'appareil.

Autres niveaux de message

Important

Indique les informations importantes, nécessaires pour assurer le bon fonctionnement de l'appareil.

Note

Indique les informations utiles qui permettront d'obtenir le fonctionnement optimal de l'appareil.

Consignes de sécurité

AVIS

- Le produit Axis doit être utilisé conformément aux lois et réglementations locales en vigueur.
- Conserver ce produit Axis dans un environnement sec et ventilé.
- Ne pas exposer ce produit Axis aux chocs ou aux fortes pressions.
- Ne pas installer ce produit sur des poteaux, supports, surfaces ou murs instables.
- Utiliser uniquement des outils recommandés pour l'installation de l'appareil Axis. L'application d'une force excessive sur l'appareil avec des outils puissants pourrait l'endommager.
- Ne pas utiliser de produits chimiques, de substances caustiques ou de nettoyeurs pressurisés.
- Utiliser un chiffon propre imbibé d'eau pure pour le nettoyage.
- Utiliser uniquement des accessoires conformes aux caractéristiques techniques du produit. Ils peuvent être fournis par Axis ou un tiers.
- Utiliser uniquement les pièces de rechange fournies ou recommandées par Axis.
- Ne pas essayer de réparer vous-même ce produit. Contacter l'assistance technique d'Axis ou votre revendeur Axis pour des problèmes liés à l'entretien.

AVIS

- Protégez le câble du bloc d'alimentation contre tout dommage ; portez une attention particulière aux raccords, aux rallonges et aux sorties d'alimentation.
- Installez un parasurtenseur pour protéger le moteur contre les surtensions.
- Évitez d'utiliser des fils d'installation trop longs pour éviter un incendie ou des chocs électriques.

Important

- Tenez éloignés du moteur tous les objets non identifiés ou tous les liquides corrosifs, car cela peut court-circuiter le moteur.
- Ne touchez pas le moteur lorsqu'il fonctionne.
- N'installez pas ou n'utilisez pas le moteur sur des sites dangereux contenant des objets inflammables ou explosifs.

Transport

AVIS

- Lors du transport du produit Axis, utilisez l'emballage d'origine ou un équivalent pour éviter d'endommager le produit.

Package Contents	2
Hardware Overview	3
Product Overview	3
How to Install the Product	6
Install the Hardware	6
Access the Product	8
Technical Specifications	9
Troubleshooting	10
About the DIP Switch Settings	11
Change the DIP Switch Settings	12
Further information	14
Optional Accessories	14
Safety Information	17
Hazard Levels	17
Other Message Levels	17
Safety Instructions	18
Transportation	18
Contenu de l'emballage	22
Aperçu du matériel	23
Vue d'ensemble du produit	23
Comment installer le produit	26
Installation du matériel	26
Utilisez le produit	28
Caractéristiques techniques	29
Dépannage	30
À propos des paramètres du commutateur DIP	31
Modification des paramètres du commutateur DIP	32
Informations complémentaires	34
Accessoires en option	34
Informations sur la sécurité	37
Niveaux de risques	37
Autres niveaux de message	37
Consignes de sécurité	38
Transport	38
Lieferumfang	42
Übersicht über die Hardware	43
Produktübersicht	43
Installieren des Produkts	46
Installieren der Hardware	46
Zugriff auf das Produkt	48
Technische Daten	49
Fehlerbehebung	50
Informationen zu DIP-Schalter-Einstellungen	51

Inhalt

Ändern der DIP-Schalter-Einstellungen	52
Weitere Informationen	54
Optionales Zubehör	54
Sicherheitsinformation	57
Gefährdungstufen	57
Weitere Nachrichtestufen	57
Sicherheitsanweisungen	58
Transport	58
Contenuto della confezione	59
Panoramica dell'hardware	60
Panoramica del dispositivo	60
Come installare il dispositivo	63
Installazione dell'hardware	63
Accesso al dispositivo	65
Specifiche tecniche	66
Risoluzione di problemi	67
Informazioni sulle impostazioni dei DIP switch	68
Modifica delle impostazioni dei DIP switch	69
Ulteriori informazioni	71
Accessori opzionali	71
Informazioni di sicurezza	75
Livelli di pericolo	75
Altri livelli di messaggio	75
Informazioni di sicurezza	76
Trasporto	76
Contenido del paquete	77
Información general del hardware	78
Información general del producto	78
Cómo instalar el producto	81
Instalación del hardware	81
Acceso al producto	83
Especificaciones técnicas	84
Solución de problemas	85
Acerca de la configuración del switch DIP	86
Cambiar la configuración del switch DIP	87
Más información	90
Accesorios opcionales	90
Información de seguridad	93
Niveles de peligro	93
Otros niveles de mensaje	93
Instrucciones de seguridad	94
Transporte	94
パッケージの内容	95

ハードウェアの概要	96
製品の概要	96
製品の取り付け方法	99
ハードウェアの設置	99
製品へのアクセス	101
技術仕様	103
トラブルシューティング	104
DIP スイッチの設定について	105
DIP スイッチの設定の変更	106
関連情報	108
オプションアクセサリ	108
安全情報	111
危険レベル	111
その他のメッセージレベル	111
安全手順	112
輸送	112
包装内容	113
硬件概覧	114
产品概述	114
如何安装该产品	117
安装硬件	117
访问产品	119
技术规格	120
故障排除	121
关于拨码开关设置	122
更改拨码开关设置	123
更多信息	125
可选附件	125
安全信息	129
危险等级	129
其它消息等级	129
安全说明	130
运输	130

YP3040 Pan-Tilt Motor

Lieferumfang

- Y3040 Schwenk-/Neigemotor
- Montageausrüstung
 - 4 M5x10-Schrauben zur Anbringung des Kameragehäuses auf dem Adapterwinkel
 - 4 Schrauben zur Befestigung des Schwenk-/Neigemotors an der empfohlenen Wandhalterung
 - 1 Inbusschlüssel
 - Adapterwinkel A (vormontiert) und B
- Gedruckte Dokumente
 - Installationsanleitung (dieses Dokument)
 - Bohrschablone (mit YP3040 Wandhalterung)

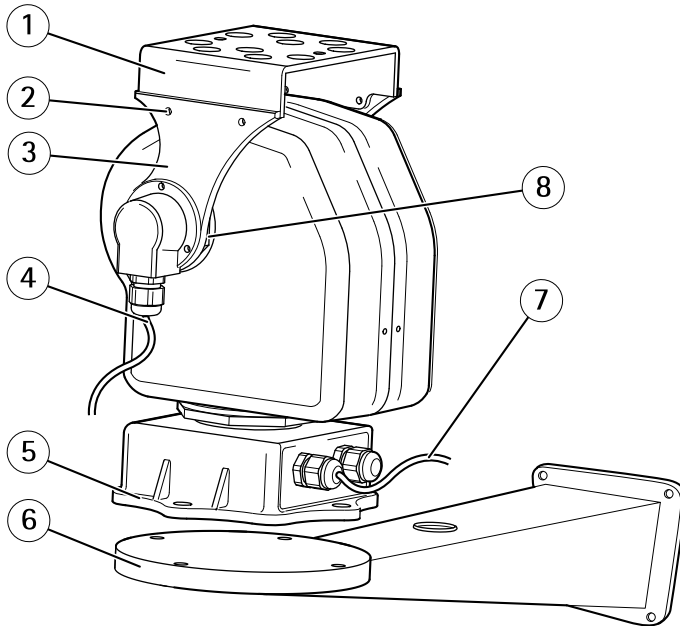
Empfohlenes Zubehör

- YP3040 Wandhalterung für YP3040 Schwenk-/Neigemotor
- AXIS PS24 Netzteil, Netzeingang 100 bis 230 V Wechselstrom, geeignet für Innenräume und Außenbereiche

Übersicht über die Hardware

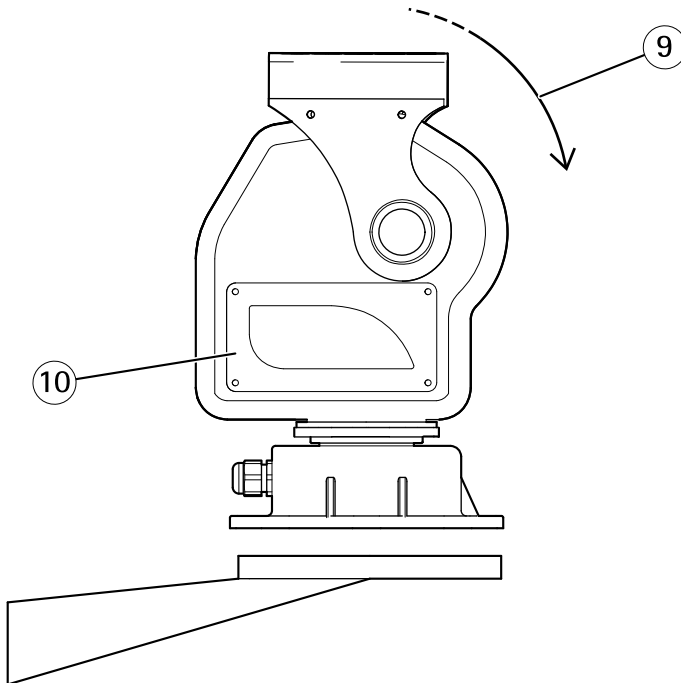
Die technischen Daten für Hardware-Komponenten finden Sie unter .

Produktübersicht



- 1 Adapterwinkel
- 2 Befestigungsschraube (4x)
- 3 Halter
- 4 Kabel für PTZ-Steuerung (RS485)
- 5 Montageplatte
- 6 Wandhalterung (empfohlenes Zubehör)
- 7 Netzkabel, 24 V Wechselstrom
- 8 Halterachse

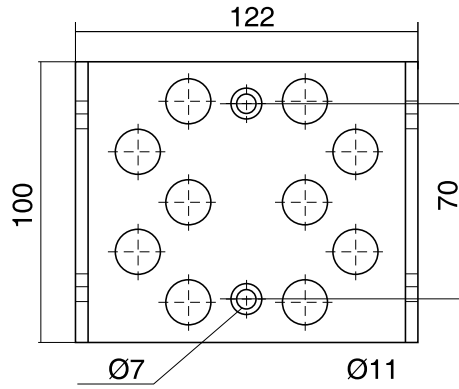
YP3040 Pan-Tilt Motor



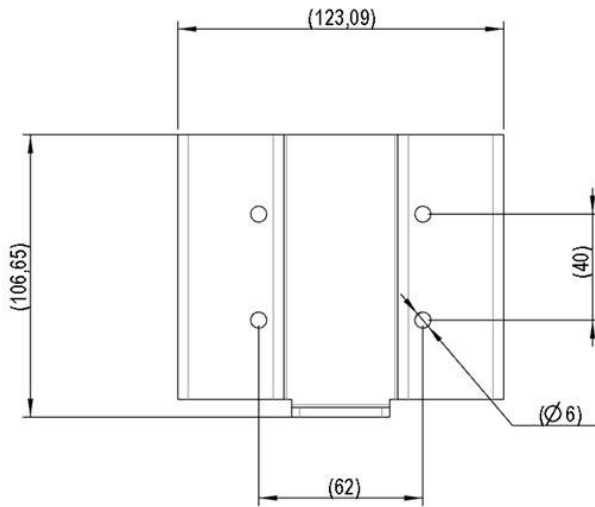
- 9 Neigerichtung
10 Seitenabdeckung

Abmessungen der Winkelhalterung

Montagebohrungen für Gehäuse/Kamera



Adapterwinkel A



Adapterwinkel B

DEUTSCH

Installieren des Produkts

Installieren der Hardware

In dieser Installationsanleitung wird die Installation des YP3040 Schwenk-/Neigemotors beschrieben.

1. Anbringen der Wandhalterung
2. Installation des Schwenk-/Neigemotors
3. Einbauen der Kamera in das Gehäuse
4. Anbringen des Gehäuses auf dem Schwenk-/Neigemotor
5. Anschließen der Kabel

Anbringen der Wandhalterung

1. Bereiten Sie die Montage der Wandhalterung (empfohlenes Zubehör) vor. Markieren Sie hierfür mithilfe der beiliegenden Bohrschablone die Position der Bohrlöcher an der Wand. Stellen Sie sicher, dass die Bohrerspitzen, Schrauben und Dübel für den Baustoff geeignet sind.

Wichtig

Halten Sie einen ausreichenden Abstand um den Schwenk-/Neigemotor und zur Kamera bzw. dem Kameragehäuse ein, um Kollisionen zu verhindern (der Mindestabstand vom oberen Rand der Wandhalterung zur Decke beträgt 60 cm).

2. Ziehen Sie alle erforderlichen Kabel durch die Wandhalterung, siehe *Anschließen der Kabel auf Seite 47*.
3. Befestigen Sie die Wandhalterung mit der runden Platte nach oben an der Wand.

Wichtig

Achten Sie auf genügend Spielraum, damit sich die Kabel mit der Kamera drehen und biegen können.

Installation des Schwenk-/Neigemotors

1. Positionieren Sie den Schwenk-/Neigemotor an der Wandhalterung. In der Abbildung auf *Seite 43* sind die Ausrichtung und Neigerichtung dargestellt.
2. Befestigen Sie den Schwenk-/Neigemotor mithilfe der beiliegenden Schrauben und ziehen Sie die Schrauben fest.

Einbauen der Kamera in das Gehäuse

Montieren Sie die Kamera im Gehäuse gemäß den Anweisungen in der Installationsanleitung zum Gehäuse. Achten Sie darauf, dass das Kabel für die PTZ-Steuerung durch das Gehäuse zur Kamera geführt werden soll, siehe *Anschließen der Kabel auf Seite 47*. Weitere Informationen hierzu finden Sie in der Installationsanleitung zum Gehäuse bzw. zur Kamera.

Anbringen des Gehäuses auf dem Schwenk-/Neigemotor

1. Nehmen Sie den Adapterwinkel ab, indem Sie die Befestigungsschrauben am Halter mithilfe des mitgelieferten Inbusschlüssels lösen.
2. Verwenden Sie die beiden beiliegenden Senkkopfschrauben, um das Gehäuse auf dem Adapterwinkel zu befestigen.
3. Befestigen Sie den Adapterwinkel mit dem Gehäuse am Halter.

Anschließen der Kabel

1. Verbinden Sie das Netzteil mit dem Schwenk-/Neigemotor gemäß den Anweisungen in der Installationsanleitung zu Ihrem Netzteil. Es wird das Netzteil AXIS PS24 empfohlen. Weitere Informationen zu diesem Produkt finden Sie auf der Axis Website unter www.axis.com.

	Farbe des Kabels	Verbinden mit
Netzkabel, 24 V Wechselstrom	Blau	24 V Wechselstrom am Netzteil
	Braun	24 V Wechselstrom am Netzteil
	Gelb/Grün	Masse (GND)

2. Schließen Sie das Kabel zur PTZ-Steuerung an den RS485-Anschluss der Kamera an. Die Kameramodelle verfügen über unterschiedliche Anschlüsse. Vergewissern Sie sich, dass Sie die korrekte Beschreibung für Ihr Modell verwenden. Der passende Anschluss ist im Lieferumfang Ihrer Axis Netzwerk-Kamera enthalten. Weitere Informationen zu Axis Netzwerk-Kameras finden Sie auf der Axis Website unter www.axis.com.

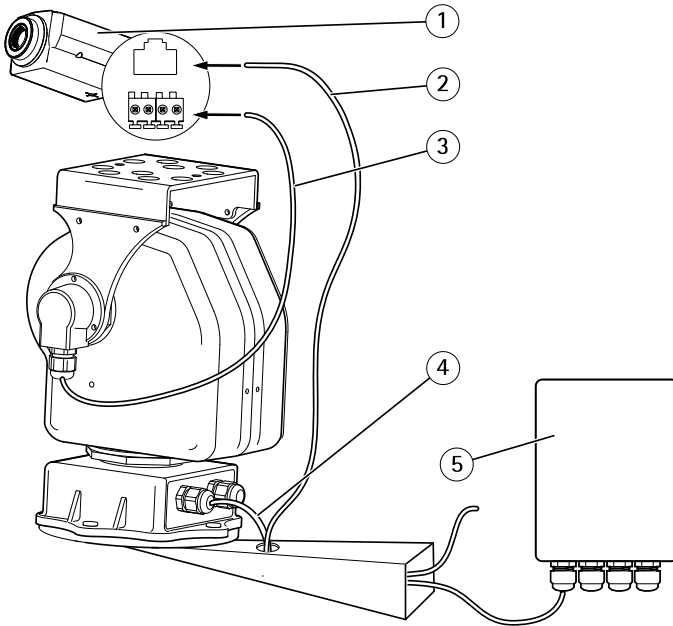
	Farbe des Kabels	Verbinden mit
Kabel für PTZ-Steuerung (RS485)	Rot	A+ an der Kamera
	Blau	B- an der Kamera

3. Verbinden Sie die Kamera mit dem Netzwerk gemäß den Anweisungen in der Installationsanleitung zu Ihrer Kamera.

Beachten

Der RJ-45-Anschluss des Netzkabels passt nicht durch die Kabelverschraubung an der Unterseite des Gehäuses. Sie müssen das Kabel abschneiden, durch die Kabelverschraubung ziehen und anschließend wieder mit dem Anschluss vercrimpen.

YP3040 Pan-Tilt Motor



- 1 *Netzwerk-Kamera*
- 2 *Netzwerkkabel (Ethernet RJ-45 zur Kamera)*
- 3 *Kabel der PTZ-Steuerung (RS485 an Kamera)*
- 4 *Netzkabel (24 V Wechselstrom vom Netzteil)*
- 5 *Netzteil*

Zugriff auf das Produkt

Wenn Sie eine kompatible Axis Netzwerk-Kamera auf dem YP3040 Schwenk-/Neigemotor montieren, werden die Steuerungen auf den Webseiten der Kamera unter „Live View“ (Live-Ansicht) angezeigt, wenn die PTZ-Funktionen in den Setup-Tools aktiviert wurden. Führen Sie die folgenden Schritte aus, um die PTZ-Funktionen in der Kamera zu aktivieren:

1. Wechseln Sie auf den Webseiten der Kamera zu **Setup > System Options > Ports & Devices > COM Port (Setup > Systemoptionen > Anschlüsse & Geräte > COM-Schnittstelle)**. Aktivieren Sie unter „Usage“ (Verwendung) die Option „Pan Tilt“ (Schwenken/Neigen).
2. Informationen zur Konfiguration der PTZ-Einstellungen finden Sie im Benutzerhandbuch zur Ihrem Produkt.

Technische Daten

Gerät	Funktion		Beschreibung
YP3040	Eingangsspannung		24 V AC 50/60 Hz
	Stromverbrauch		30 VA
	Bewegungsbereich	Schwenken	0° bis 355°
		Neigen	10° bis -80°
	Bewegungsgeschwindigkeit	Schwenken	7,5°/s
		Neigen	6°/s
	Protokoll (Standard)		Pelco-D
	Bitrate (Standard)		2400 bps
	Adresse (Standard)		1
	Betriebstemperatur		-20 °C bis 65 °C
	Last	Drehmoment (Halterachse, siehe Seite 6)	1,5 N m
		Lastart	Von oben
		Maximale Last	8 kg
	Gewicht		4,2 kg
	Schutzklasse		IP66 (Innen- und Außenbereich)
Material		Aluminiumlegierung	

DEUTSCH

YP3040 Pan-Tilt Motor

Fehlerbehebung

Problem	Mögliche Ursache	Lösung
YP3040 bewegt sich nicht	Keine Stromversorgung	Überprüfen Sie, ob das Netzteil angeschlossen ist
	Fehlerhafte Verbindung zum Netzteil	Überprüfen Sie, ob das Netzkabel intakt und ordnungsgemäß angeschlossen ist
YP3040 bewegt sich unter Stromversorgung, reagiert jedoch nicht auf Steuerbefehle	Fehlerhafte RS485-Kabelverbindung zur Netzwerk-Kamera	Überprüfen Sie, ob das RS485-Kabel intakt und ordnungsgemäß angeschlossen ist
	Die PTZ-Funktionalität der Netzwerk-Kamera ist nicht aktiviert	Aktivieren Sie die PTZ-Funktionalität in den Setup-Tools, siehe <i>Zugriff auf das Produkt</i> .

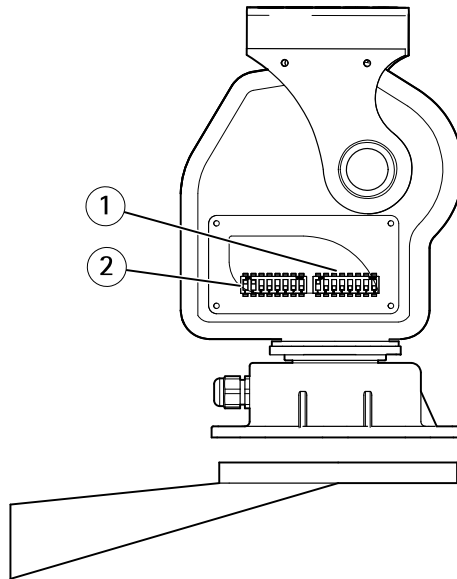
Informationen zu DIP-Schalter-Einstellungen

Die Übertragung zwischen Motor und Kamera funktioniert nicht, wenn die Kamera und der Motor unterschiedliche Protokolle und Bitraten verwenden. Bei Kameras, die weder das Pelco-D-Protokoll noch eine Bitrate von 2400 bps verwenden, müssen die DIP-Schalter geändert werden, siehe *Ändern der DIP-Schalter-Einstellungen auf Seite 52*.

Beachten

Der YP3040 Schwenk-/Neigemotor ist werksseitig auf das Pelco-D-Protokoll und eine Bitrate von 2400 bps eingestellt. Dies bedeutet, dass Sie die DIP-Schalter-Einstellungen nicht ändern müssen, wenn Sie den Motor in Verbindung mit einer Axis Netzwerk-Kamera mit dem Pelco-D-Protokoll einsetzen.

Der YP3040 Schwenk-/Neigemotor verfügt über zwei Sets mit 8 digitalen DIP-Schaltern.



- 1 Adressauswahl
- 2 Funktionsauswahl

Die 8 Schalter auf der linken Seite dienen der Funktionsauswahl, z. B. Protokoll, Bitrate und Endwiderstand. Die 8 Schalter auf der rechten Seite dienen der Auswahl mehrerer eindeutiger Adressen, wenn mehrere Einheiten über einen Mehrkanal-Video-Server in Reihe geschaltet werden. Es sind 255 verschiedene Schalterkombinationen möglich.

Beachten

Bei einer „typischen“ Installation wird nur die Standardadresse benötigt.

Ändern der DIP-Schalter-Einstellungen

- Lösen Sie die vier Befestigungsschrauben der Seitenabdeckung und nehmen Sie die Seitenabdeckung ab.
- Stellen Sie die acht Funktionsauswahlschalter ein. Für die Schalter 1, 2, 3 und 4 wird das Protokoll für die PTZ-Steuerung festgelegt. Schalter 7 ist immer deaktiviert (AUS). Schalter 8 wird zum Anschluss eines Endwiderstands von 120 Ω verwendet. Sie können ihn bei Bedarf in die Position EIN ändern.

Funktionsauswahl		1	2	3	4	5	6	7	8
Protokoll	Pelco-D (Standard)	EIN	EIN	AUS	AUS				
	Pelco-P	AUS	EIN	AUS	AUS				
	AD/AB	AUS	AUS	EIN	AUS				
Bitrate	2400 bps					AUS	AUS		
	4800 bps					EIN	AUS		
	9600 bps					AUS	EIN		
	19200 bps					EIN	EIN		
Endwiderstand	AUS (Standard)								AUS
	120 Ω								EIN
								AUS	

- Stellen Sie die 8 Adressauswahlschalter ein.

Funktionsauswahl	1	2	3	4	5	6	7	8
1 (Standard)	EIN	AUS	AUS	AUS	AUS	AUS	AUS	AUS
2	AUS	EIN	AUS	AUS	AUS	AUS	AUS	AUS
3	EIN	EIN	AUS	AUS	AUS	AUS	AUS	AUS
4	AUS	AUS	EIN	AUS	AUS	AUS	AUS	AUS
5	EIN	AUS	EIN	AUS	AUS	AUS	AUS	AUS
...							
254	AUS	EIN	EIN	EIN	EIN	EIN	EIN	EIN
255	EIN	EIN	EIN	EIN	EIN	EIN	EIN	EIN

4. Bringen Sie die Seitenabdeckung wieder an und ziehen Sie die Schrauben fest.

YP3040 Pan-Tilt Motor

Weitere Informationen

- Unter www.axis.com finden Sie die aktuelle Version dieses Dokuments.
- Unter www.axis.com/support finden Sie Firmware-Aktualisierungen für Ihre Produkte.
- Nützliche Onlineschulungen und Webinare finden Sie unter www.axis.com/academy.

Optionales Zubehör

Eine vollständige Liste mit Zubehör für dieses Produkt finden Sie unter www.axis.com.

Rechtlicher Hinweis

Die Video- und Audio-Überwachung kann gesetzlich geregelt sein. Diesbezügliche Gesetze sind von Land zu Land unterschiedlich. Machen Sie sich mit den Gesetzen vor Ort vertraut, bevor Sie dieses Produkt zu Überwachungszwecken benutzen.

Haftungsausschluss

Dieses Dokument wurde mit äußerster Sorgfalt erstellt. Informieren Sie Ihre Axis Vertretung vor Ort über Ungenauigkeiten oder Auslassungen. Axis Communications AB übernimmt keinerlei Haftung für technische oder typographische Fehler und behält sich das Recht vor, jederzeit ohne vorherige Ankündigung Änderungen am Produkt und an den Handbüchern vorzunehmen. Axis Communications AB übernimmt keinerlei Garantie für den Inhalt dieses Dokuments. Dies gilt auch für die gesetzliche Gewährleistung bezüglich der Handelsfähigkeit und Zweckdienlichkeit, ist aber nicht darauf beschränkt. Axis Communications AB ist nicht für direkte oder indirekte Folgeschäden haftbar oder verantwortlich, die in Verbindung mit der Ausstattung, der Leistung und dem Einsatz dieses Produkts entstehen. Dieses Produkt darf nur für den vorgesehenen Zweck verwendet werden.

Rechte zum Schutz des geistigen Eigentums

Axis AB besitzt Rechte zum Schutz des geistigen Eigentums an der Technologie des Produkts, welches in diesem Dokument beschrieben ist. Insbesondere und ohne jedwede Einschränkung können diese Rechte zum Schutz des geistigen Eigentums eines oder mehrerer Patente enthalten, die unter www.axis.com/patent.htm aufgeführt sind, sowie eines oder mehrere weitere Patente oder Anwendungen, die in den USA oder anderen Ländern zum Patent angemeldet sind.

Geräteänderungen


Dieses Gerät darf nur unter strikter Einhaltung der Anleitungen der Benutzerdokumentation installiert und verwendet werden. Dieses Gerät enthält keine vom Benutzer zu wartenden Komponenten. Nicht genehmigte Geräteänderungen oder Modifikationen setzen alle geltenden gesetzlichen Zertifikate und Zulassungen außer Kraft.

Marken

AXIS COMMUNICATIONS, AXIS, ETRAX, ARTPEC und VAPIX sind eingetragene Marken oder Markenmeldungen der Axis AB in verschiedenen Rechtsordnungen. Alle weiteren Firmen- und Produktnamen sind Marken oder eingetragene Marken der jeweiligen Inhaber.

Zulassungsrelevante Informationen

Europa

 Dieses Produkt entspricht den anwendbaren CE-Kennzeichnungsrichtlinien und vereinheitlichten Standards:

- Elektromagnetische Verträglichkeit von Elektro- und Elektronikprodukten (EMV) – Richtlinie 2014/30/EU. Siehe *Hinweise zur elektromagnetischen Verträglichkeit (EMV) auf Seite 55*.
- Niederspannung (LVD) – Richtlinie 2014/35/EU. Siehe .
- Beschränkung der Verwendung bestimmter gefährlicher Stoffe in Elektro- und Elektronikgeräten (RoHS) – Richtlinie 2011/65/EU. Siehe *Entsorgung und Recycling auf Seite 56*.

Eine Kopie des Originals der Konformitätserklärung ist bei der Axis Communications AB erhältlich. Siehe *Kontaktinformationen auf Seite 56*.

Hinweise zur elektromagnetischen Verträglichkeit (EMV)

Dieses Gerät wurde konzipiert und getestet für nachstehende Standards:

- Radiofrequenzemission, wenn es entsprechend den Anleitungen installiert und in seiner angedachten Umgebung verwendet wird.
- Immunität gegen elektrische und elektromagnetische Phänomene, wenn es entsprechend den Anleitungen installiert und in seiner angedachten Umgebung verwendet wird.

USA

Dieses Gerät wurde unter Verwendung eines abgeschirmten Netzkabels (STP) geprüft und hält die Grenzwerte eines digitalen Gerätes der Klasse A gemäß Teil 15 der FCC-Bestimmungen ein. Diese Grenzwerte bieten einen angemessenen Schutz gegen schädliche Störungen, wenn das Gerät in einem kommerziellen Umfeld benutzt wird. Dieses Gerät erzeugt und nutzt hochfrequente Energie und kann diese abstrahlen. Wenn das Gerät nicht anweisungsgemäß installiert und eingesetzt wird, kann es schädliche Störungen im Funkverkehr verursachen. Der Betrieb dieses Geräts in einem Wohngebiet kann schädliche Störungen hervorrufen, die der Besitzer auf eigene Kosten korrigieren muss. Das Produkt muss mit einem abgeschirmten Netzkabel (STP) angeschlossen werden, das vorschriftsmäßig geerdet ist.

Kanada

Dieses Gerät entspricht CAN ICES-3 (Klasse A). Das Produkt muss mit einem abgeschirmten Netzkabel (STP) angeschlossen werden, das vorschriftsmäßig geerdet ist. Cet appareil numérique est conforme à la norme NMB ICES-3 (classe A). Le produit doit être connecté à l'aide d'un câble réseau blindé (STP) qui est correctement mis à la terre.

Europa

Dieses digitale Gerät erfüllt die Anforderungen für HF-Emissionen gemäß der Grenzen der Klasse A nach EN 55022. Das Produkt muss mit einem abgeschirmten Netzkabel (STP) angeschlossen werden, das vorschriftsmäßig geerdet ist. Hinweis! Dies ist ein Produkt der Klasse A. In einer häuslichen Umgebung kann dieses Produkt HF-Störungen verursachen, in welchem Fall der Benutzer angemessene Maßnahmen treffen muss.

Dieses Produkt erfüllt die Anforderungen für Immunität gemäß EN 55024 für Büro- und Industrieumgebungen.

Australien/Neuseeland

Dieses digitale Gerät erfüllt die Anforderungen der RF-Emission gemäß der Grenzen der Klasse A nach AS/NZS CISPR 22. Das Produkt muss mit einem abgeschirmten Netzkabel (STP) angeschlossen werden, das vorschriftsmäßig geerdet ist. Hinweis! Dies ist ein Produkt der Klasse A. In einer häuslichen Umgebung kann dieses Produkt HF-Störungen verursachen, in welchem Fall der Benutzer angemessene Maßnahmen treffen muss.

Japan

この装置は、クラスA 情報技術装置です。この装置を家庭環境で使用すると電波妨害を引き起こすことがあります。この場合には使用者が適切な対策を講ずるよう要求されることがあります。本製品は、シールドネットワークケーブル(STP)を使用して接続してください。また適切に接地してください。

Korea

이 기기는 업무용(A급) 전자파적합기기로서 판매자 또는 사용자는 이 점을 주의하시기 바라며, 가정외의 지역에서 사용하는 것을 목적으로 합니다.

적절히 접지된 STP (shielded twisted pair) 케이블을 사용하여 제품을 연결 하십시오.

Entsorgung und Recycling

Wenn dieses Produkt ausgedient hat, entsorgen Sie es den geltenden Gesetzen und Bestimmungen entsprechend. Für Informationen zu Ihrem nächstliegenden Wertstoffhof kontaktieren Sie bitte die örtliche Behörde für Abfallentsorgung. Gemäß den örtlichen gesetzlichen Regelungen können Geldstrafen für die nicht fachgerechte Entsorgung verhängt werden.

Europa



■ Dieses Symbol bedeutet, dass das Produkt nicht zusammen mit dem Hausmüll oder Gewerbeabfall entsorgt werden darf. Die Richtlinie 2012/19/EU für elektrischen Müll und elektronische Geräte (WEEE) ist in den Ländern der Europäischen Union anzuwenden. Um potentiellen Schaden für Mensch und Umwelt zu vermeiden, muss das Produkt durch einem geprüften und umweltverträglichen Recycling-Prozess entsorgt werden. Für Informationen zu Ihrem nächstliegenden Wertstoffhof kontaktieren Sie bitte die örtliche Behörde für Abfallentsorgung. Unternehmen sollten den Produktlieferanten kontaktieren, um zu erfahren wie sie dieses Produkt richtig entsorgen können.

Dieses Produkt entspricht der Richtlinie 2011/65/EU bezüglich der Einschränkung der Verwendung bestimmter gefährdenden Substanzen in Elektro- und Elektronikgeräten (RoHS).

China



Dieses Produkt unterliegt den Anforderungen der zentralen Verwaltungsorgane bezüglich der Kontrolle von Umweltverschmutzungen durch elektronische Produkte.

Kontaktinformationen

Axis Communications AB
Emdalavägen 14
223 69 Lund
Schweden

Tel: +46 46 272 18 00

Fax: +46 46 13 61 30

www.axis.com

Gewährleistungsinformationen

Informationen zur Gewährleistung der Axis Produkte und andere, hierzu relevante Informationen, finden Sie unter www.axis.com/warranty/

Support

Wenn Sie technische Unterstützung benötigen, wenden Sie sich bitte an Ihren Axis Händler. Wenn Ihre Fragen nicht sofort beantwortet werden können, leitet Ihr Händler Ihre Anfragen an die zuständigen Stellen weiter, damit Sie umgehend Unterstützung erhalten. Wenn Sie über eine Internetverbindung verfügen, können Sie:

- Benutzerhandbücher und Softwareaktualisierungen herunterladen
- Antworten auf bereits gelöste Probleme in der FAQ-Datenbank finden Eine Suche auf der Grundlage eines Produkts, einer Kategorie oder eines Satzes
- Axis Supportmitarbeiter über Probleme informieren, indem Sie sich in Ihrem persönlichen Supportbereich anmelden
- Chat mit Axis Supportmitarbeitern
- Axis Support im Internet: www.axis.com/techsup/

Erfahren Sie mehr!

Besuchen Sie das Axis-Schulungszentrum www.axis.com/academy/ für anregende Schulungen, Webinare, Tutorien und Anleitungen.

Sicherheitsinformation

Lesen Sie das Installationshandbuch sorgfältig durch bevor sie das Produkt installieren. Bewahren Sie das Installationshandbuch für zukünftige Zwecke auf.

Gefährdungsstufen

▲GEFAHR

Weist auf eine gefährliche Situation hin, welche, falls nicht verhindert, zu Tod oder schweren Verletzungen führt.

▲WARNUNG

Weist auf eine gefährliche Situation hin, welche, falls nicht verhindert, zu Tod oder schweren Verletzungen führen kann.

▲VORSICHT

Weist auf eine gefährliche Situation hin, welche, falls nicht verhindert, zu geringfügiger oder mäßiger Verletzung führen kann.

HINWEIS

Weist auf eine gefährliche Situation hin, welche, falls nicht verhindert, zu Sachschäden führen kann.

Weitere Nachrichtenstufen

Wichtig

Weist auf wichtige Informationen hin, die den richtigen Betrieb des Produkts gewährleisten.

Beachten

Weist auf nützliche Informationen hin, die die optimale Verwendung des Produkts unterstützen.

Sicherheitsanweisungen

HINWEIS

- Die Anwendung des Axis Produkts muss unter Beachtung der örtlich geltenden rechtlichen Bestimmungen erfolgen.
- Lagern Sie das Axis Produkt in einer trockenen und belüfteten Umgebung.
- Achten Sie darauf, dass das Axis Produkt weder Stößen noch starkem Druck ausgesetzt ist.
- Installieren Sie das Produkt nicht an instabilen Masten, Halterungen, Oberflächen oder Wänden.
- Verwenden Sie bei der Installation des Axis Produkts ausschließlich passende Werkzeuge. Ein zu großer Kraftaufwand mit elektrischen Werkzeugen kann das Produkt beschädigen.
- Verwenden Sie keine chemischen, ätzenden oder aerosolhaltigen Reinigungsmittel.
- Verwenden Sie zum Reinigen ein sauberes, mit destilliertem Wasser angefeuchtetes Tuch.
- Verwenden Sie nur Zubehör, das den technischen Daten des Produkts entspricht. Dieses ist von Axis oder Drittanbietern erhältlich.
- Verwenden Sie ausschließlich Ersatzteile die von Axis bereitgestellt oder empfohlen werden.
- Versuchen Sie nicht, das Produkt selbstständig zu reparieren. Wenden Sie sich bezüglich Reparatur und Wartung an den Axis Support oder Ihren Axis Händler.

HINWEIS

- Achten Sie darauf, das Netzkabel nicht zu beschädigen. Achten Sie besonders auf Anschlussstücke, Verlängerungen und Ausgänge.
- Installieren Sie einen Überspannungsschutz, um den Motor vor Überspannungsschäden zu schützen.
- Verwenden Sie keine übermäßig langen Kabel, um Stromschläge oder Feuer zu verhindern.

Wichtig

- Stellen Sie sicher, dass keine unzulässigen Teile oder ätzenden Substanzen in den Motor gelangen, da dies zu einem Kurzschluss führen könnte.
- Berühren Sie den Motor nicht, während er in Betrieb ist.
- Installieren oder betreiben Sie den Motor nicht an gefährlichen Standorten mit leicht entzündbaren oder explosiven Objekten.

Transport

HINWEIS

- Bei Bedarf transportieren Sie das Axis Produkt in der Originalverpackung oder einer entsprechenden Verpackung, so dass Schäden vermieden werden.

Contenuto della confezione

- Motore Pan-Tilt Y3040
- Kit di montaggio
 - 4 viti M5x10 per montare l'alloggiamento della telecamera sulla staffa per adattatore
 - 4 bulloni per montare il motore di rotazione/inclinazione sulla staffa a parete consigliata
 - 1 chiave Allen
 - Staffa per adattatore A (premontata) e B
- Materiali stampati
 - Guida all'installazione (il presente documento)
 - Modello per foratura (con staffa a parete YP3040)

Accessori consigliati

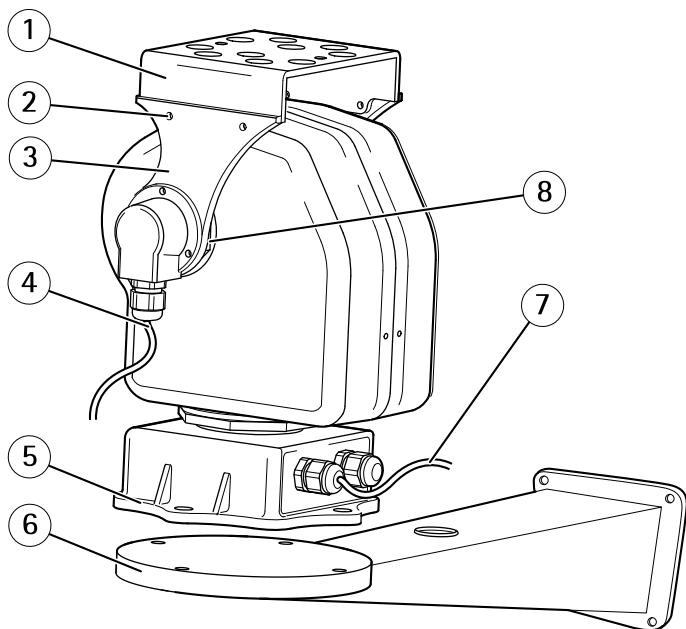
- Staffa a parete YP3040 per motore Pan-Tilt YP3040
- Adattatore di rete AXIS PS24, ingresso alimentatore da 100–230 V CA, adatto per l'uso in ambienti interni ed esterni

YP3040 Pan-Tilt Motor

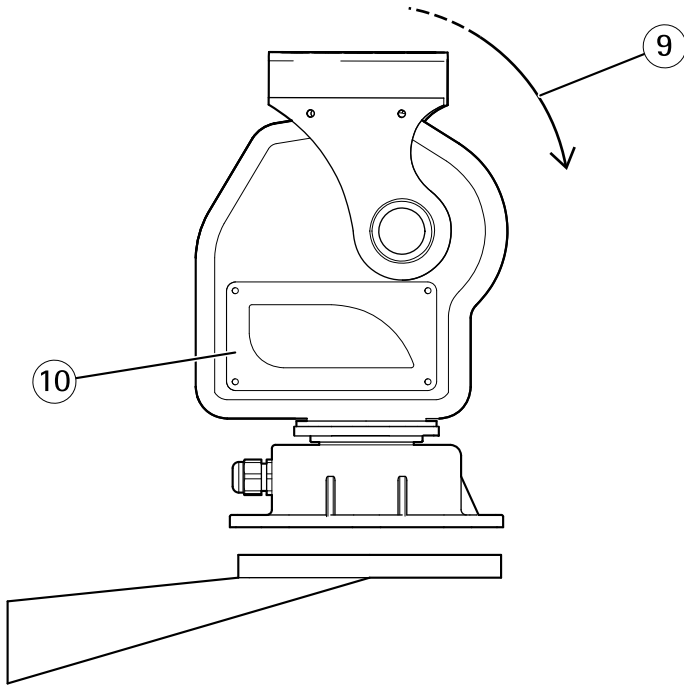
Panoramica dell'hardware

Per le specifiche dei componenti hardware, vedere .

Panoramica del dispositivo



- 1 Staffa per adattatore
- 2 Viti di montaggio (4)
- 3 Braccio
- 4 Cavo dei comandi PTZ RS485
- 5 Base di montaggio
- 6 Staffa a parete (accessorio consigliato)
- 7 Cavo di alimentazione 24 V CA
- 8 Asse del braccio

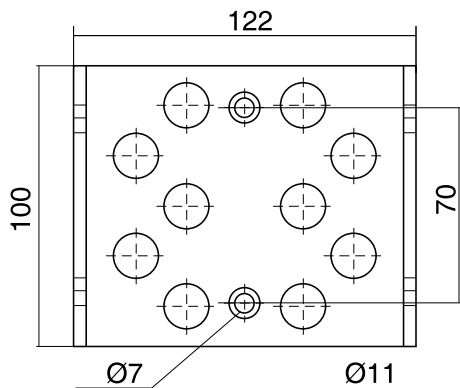


- 9 Direzione di inclinazione
- 10 Pannello laterale

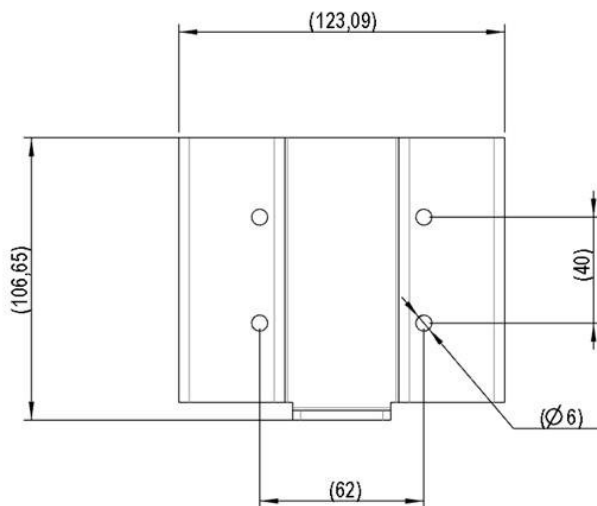
Dimensioni staffa per adattatore

Fori di montaggio per l'alloggiamento e la telecamera.

YP3040 Pan-Tilt Motor



Staffa per adattatore A



Staffa per adattatore B

Come installare il dispositivo

Installazione dell'hardware

La presente Guida all'installazione fornisce le istruzioni necessarie per installare il motore Pan-Tilt YP3040.

1. Installazione della staffa a parete
2. Installazione del motore di rotazione/inclinazione
3. Installazione della telecamera nell'alloggiamento
4. Installazione dell'alloggiamento sul motore di rotazione/inclinazione
5. Collegamento dei cavi

Installazione della staffa a parete

1. Preparare la parete per l'installazione della staffa (accessorio consigliato) e utilizzare la maschera di foratura fornita per posizionare i fori. Assicurarsi di utilizzare punte, viti e tasselli appropriati per il materiale.

Importante

Per evitare collisioni, assicurarsi che ci sia spazio libero sufficiente intorno al motore di rotazione/inclinazione e alla telecamera o al relativo alloggiamento (lo spazio libero minimo dal soffitto deve essere di 60 cm (24 pollici) dal bordo superiore della staffa a parete).

2. Tirare i cavi attraverso la staffa a parete; vedere *Collegamento dei cavi alla pagina 64*.
3. Fissare la staffa alla parete con la piattaforma rotonda rivolta verso l'alto.

Importante

Assicurarsi di lasciare una lentezza sufficiente affinché i cavi possano torcersi e piegarsi insieme all'unità.

Installazione del motore di rotazione/inclinazione

1. Collocare il motore di rotazione/inclinazione sulla staffa a parete; vedere l'illustrazione a *pagina 60* per l'allineamento e la direzione di inclinazione.
2. Fissare il motore di rotazione/inclinazione serrando i bulloni forniti.

Installazione della telecamera nell'alloggiamento

Installare la telecamera nell'alloggiamento secondo le istruzioni contenute nella Guida all'installazione fornita con l'alloggiamento. Assicurarsi che il cavo dei comandi PTZ passi attraverso l'alloggiamento fino alla telecamera; vedere *Collegamento dei cavi alla pagina 64*. Per ulteriori informazioni, vedere la Guida all'installazione fornita con l'alloggiamento e la telecamera.

Installazione dell'alloggiamento sul motore di rotazione/inclinazione

1. Staccare la staffa per adattatore rimuovendo le viti di montaggio del braccio utilizzando la chiave Allen in dotazione.
2. Utilizzare le due viti svasate fornite per montare l'alloggiamento sulla staffa per adattatore.
3. Collegare la staffa per adattatore con l'alloggiamento al braccio.

Collegamento dei cavi

1. Collegare l'alimentatore al motore di rotazione/inclinazione secondo la Guida all'installazione fornita con l'adattatore di rete. L'adattatore di rete consigliato è AXIS PS24. Per ulteriori informazioni su questo dispositivo, vedere il sito Web Axis all'indirizzo www.axis.com

	Colore del filo	Collegato a
Cavo di alimentazione 24 V CA	Blu	Cavo di alimentazione 24 V CA
	Marrone	Cavo di alimentazione 24 V CA
	Giallo/verde	Terra

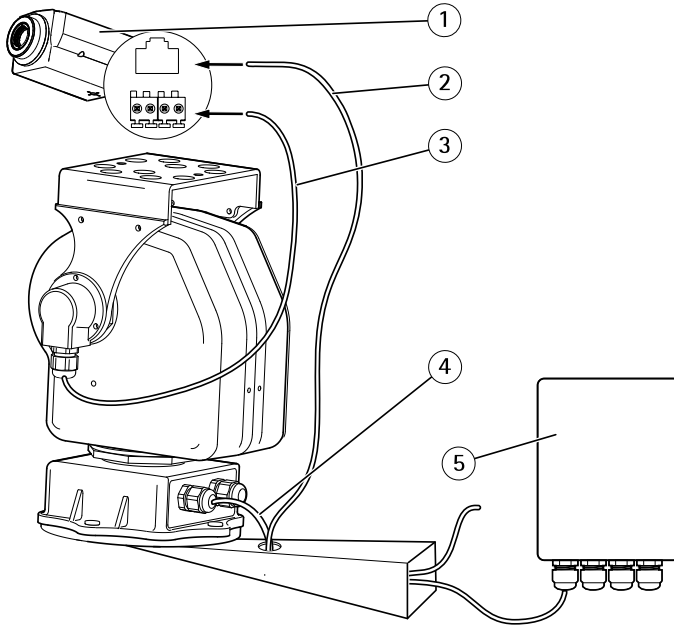
2. Collegare il cavo dei comandi PTZ alla porta RS485 della telecamera. Modelli di telecamera diversi hanno connettori per morsetti diversi, accertarsi quindi di seguire la descrizione corretta per la telecamera installata. Il connettore corretto viene fornito con la telecamera di rete Axis. Per ulteriori informazioni sulle telecamere di rete Axis, vedere il sito Web Axis all'indirizzo www.axis.com

	Colore del filo	Collegato a
Cavo dei comandi PTZ (RS485)	Rosso	A+ sulla telecamera
	Blu	B- sulla telecamera

3. Collegare la telecamera alla rete, vedere la Guida all'installazione fornita con la telecamera.

Nota

Il connettore RJ45 per il cavo di rete non passa attraverso il passacavo sulla parte inferiore dell'alloggiamento. Il cavo deve quindi essere tagliato, fatto passare attraverso il passacavo e quindi nuovamente crimpato.



- 1 *Telecamera di rete*
- 2 *Cavo di rete (da Ethernet RJ-45 a telecamera)*
- 3 *Cavo dei comandi PTZ (da RS485 a telecamera)*
- 4 *Cavo di alimentazione (24 V CA dall'adattatore di rete)*
- 5 *Adattatore di rete*

Accesso al dispositivo

Quando si installa una telecamera di rete Axis compatibile sul motore Pan-Tilt YP3040, i comandi saranno disponibili nella pagina Live View (Visualizzazione in diretta) delle pagine Web della telecamera dopo avere abilitato la funzione PTZ negli strumenti di impostazione. Per abilitare la funzione PTZ nella telecamera, attenersi alla seguente procedura:

1. Selezionare **Setup > System Options > Ports & Devices > COM Port (Impostazioni > Opzioni di sistema > Porte e dispositivi > Porta COM)** nelle pagine Web della telecamera e impostare **Usage (Utilizzo)** su **Pan Tilt (Rotazione/inclinazione)**.
2. Fare riferimento al Manuale per l'utente fornito insieme al dispositivo per le istruzioni relative alla configurazione delle impostazioni PTZ.

YP3040 Pan-Tilt Motor

Specifiche tecniche

Unità	Funzione	Descrizione	
YP3040	Tensione in ingresso	24 V CA 50/60 Hz	
	Consumo energetico	30 VA	
	Intervallo di movimento	Rotazione	da 0° a 355°
		Inclinazione	da 10° a -80°
	Velocità di movimento	Rotazione	7,5°/s
		Inclinazione	6°/s
	Protocollo (predefinito)	Pelco-D	
	Velocità di trasmissione (predefinita)	2400 bps	
	Indirizzo (predefinito)	1	
	Temperatura di esercizio	da -20 °C a 65 °C (da -4 °F a 149 °F)	
	Carico	Torsione (asse del braccio; vedere pagina 6)	1,5 Nm (1,1 piedi/libbre)
		Tipo di carico	Carico dall'alto
		Carico massimo	8 kg (17,6 libbre)
	Peso	4,2 kg (9,3 libbre)	
	Classe di protezione	IP66 (utilizzo in ambienti interni ed esterni)	
Materiale	Lega di alluminio		

Risoluzione di problemi

Problema	Causa probabile	Soluzione
L'unità YP3040 non si muove	Manca l'alimentazione	Controllare che l'alimentazione elettrica sia collegata
	Connessione difettosa nell'alimentatore	Controllare che il cavo di alimentazione elettrica sia intatto e correttamente collegato
L'unità YP3040 si muove quando viene alimentata, tuttavia non risponde ai comandi	Errore nel collegamento del cavo RS485 alla telecamera di rete	Controllare che il cavo RS485 sia intatto e correttamente collegato
	Funzione PTZ non abilitata per la telecamera di rete	Controllare che la funzione PTZ sia abilitata negli strumenti di impostazione; vedere <i>Accesso al dispositivo</i>

YP3040 Pan-Tilt Motor

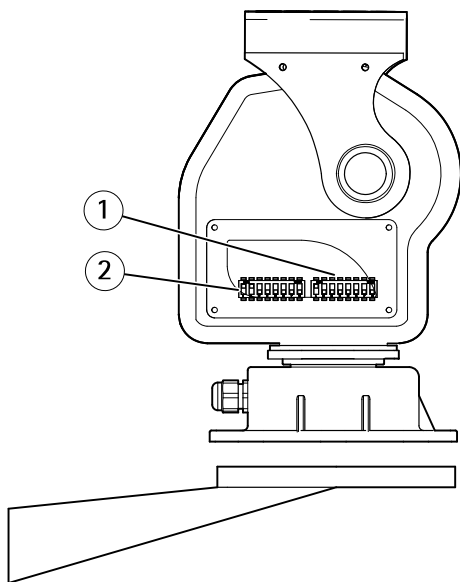
Informazioni sulle impostazioni dei DIP switch

La trasmissione tra il motore e la telecamera non funziona se la telecamera utilizza una velocità di trasmissione e un protocollo diversi da quelli del motore. Per le telecamere con un protocollo diverso da Pelco-D e una velocità di trasmissione di 2400 bps, è necessario cambiare i dip switch; a tal fine, vedere *Modifica delle impostazioni dei DIP switch alla pagina 69*.

Nota

Le impostazioni predefinite di fabbrica del motore Pan-Tilt YP3040 sono il protocollo Pelco-D e una velocità di trasmissione di 2400 bps. Ciò significa che le impostazioni dei DIP switch non devono essere modificate quando il motore viene utilizzato insieme a una telecamera di rete Axis con il protocollo Pelco-D.

Il motore Pan-Tilt YP3040 ha due serie di 8 DIP switch digitali.



- 1 Selezione dell'indirizzo
- 2 Selezione della funzione

Gli 8 switch sul lato sinistro vengono utilizzati per selezionare funzioni come il protocollo, la velocità di trasmissione e la resistenza terminale. Gli 8 switch sul lato destro sono utilizzati per selezionare più indirizzi univoci quando si collegano più unità in serie tramite un codificatore video multicanale. Sono disponibili 255 combinazioni diverse di switch.

Nota

In un'installazione tipica è richiesto solo l'unico indirizzo predefinito.

Modifica delle impostazioni dei DIP switch

1. Allentare le quattro viti di montaggio del pannello laterale e rimuovere il pannello.
2. Impostare gli otto switch per selezionare le funzioni. Gli switch 1, 2, 3 e 4 vengono utilizzati per selezionare il protocollo dei comandi PTZ. Lo switch 7 è sempre impostato su OFF. Lo switch 8 viene utilizzato per connettere una resistenza terminale di 120 Ω; quando necessario, impostarlo su ON.

Selezione delle funzioni		1	2	3	4	5	6	7	8
Protocollo	Pelco-D (predefinito)	ON	ON	OFF	OFF				
	Pelco-P	OFF	ON	OFF	OFF				
	AD/AB	OFF	OFF	ON	OFF				
Velocità di trasmissione	2400 bps					OFF	OFF		
	4800 bps					ON	OFF		
	9600 bps					OFF	ON		
	19200 bps					ON	ON		
Resistenza terminale	OFF (predefinito)								OFF
	120 Ω								ON
								OFF	

ITALIANO

3. Impostare gli 8 switch per selezionare l'indirizzo.

Selezione delle funzioni	1	2	3	4	5	6	7	8
1 (predefinito)	ON	OFF	OFF	OFF	OFF	OFF	OFF	OFF
2	OFF	ON	OFF	OFF	OFF	OFF	OFF	OFF
3	ON	ON	OFF	OFF	OFF	OFF	OFF	OFF
4	OFF	OFF	ON	OFF	OFF	OFF	OFF	OFF
5	ON	OFF	ON	OFF	OFF	OFF	OFF	OFF
...							
254	OFF	ON	ON	ON	ON	ON	ON	ON
255	ON	ON	ON	ON	ON	ON	ON	ON

YP3040 Pan-Tilt Motor

4. Rimontare il pannello laterale e serrare le viti.

Ulteriori informazioni

- Per la versione più recente di questo documento, visitare il sito all'indirizzo www.axis.com
- Per verificare se sono stati pubblicati aggiornamenti del firmware per il proprio dispositivo, vedere www.axis.com/support
- Per servizi di formazione utili e webinar, visita il sito www.axis.com/academy

Accessori opzionali

Per un elenco completo degli accessori disponibili per questo dispositivo, vedere www.axis.com

Considerazioni legali

La sorveglianza video e audio può essere regolata da leggi che variano da paese a paese. Controllare le leggi della propria zona prima di utilizzare questo dispositivo per scopi di sorveglianza.

Responsabilità

Questo documento è stato redatto con grande attenzione. Si prega di informare l'ufficio Axis locale di eventuali inesattezze od omissioni. Axis Communications AB non può essere ritenuta responsabile per gli errori tecnici o di stampa e si riserva il diritto di apportare modifiche senza preavviso al dispositivo e ai manuali. Axis Communications AB non fornisce garanzie di alcun tipo in merito al contenuto della presente documentazione, incluse, ma non limitate a, eventuali garanzie implicite di commerciabilità e idoneità per un determinato scopo. Axis Communications AB non è responsabile per eventuali danni diretti o indiretti derivanti dalla manutenzione, dalle prestazioni o dall'uso del dispositivo. Questo dispositivo deve essere utilizzato solamente per lo scopo previsto.

Diritti di Proprietà Intellettuale

Axis AB detiene i diritti di proprietà intellettuale relativi alla tecnologia incorporata nel prodotto descritto in questo documento. In particolare, e senza limitazione, tali diritti di proprietà intellettuale possono includere uno o più dei brevetti elencati nella pagina www.axis.com/patent.htm e uno o più brevetti aggiuntivi o in attesa di brevetto negli Stati Uniti e in altri paesi.

Modifiche dispositivo


Questo dispositivo deve essere installato e utilizzato in stretta conformità con le istruzioni fornite nella documentazione per l'utente. Questo dispositivo non contiene componenti riparabili dall'utente. Cambiamenti o modifiche non autorizzate apportate al dispositivo invalideranno tutte le certificazioni e approvazioni regolamentari applicabili.

Marchi di fabbrica

AXIS COMMUNICATIONS, AXIS, ETRAX, ARTPEC e VAPIX sono marchi registrati o applicazioni con marchio di Axis AB in diverse giurisdizioni. Tutti gli altri nomi di società e prodotti sono marchi di fabbrica o registrati di proprietà delle rispettive società.

Informazioni normative

Europa

 Questo dispositivo è conforme alle direttive CE applicabili e alle norme armonizzate:

- Compatibilità Elettromagnetica (EMC) - Direttiva 2014/30/EU. Consultare *EMC (Electromagnetic Compatibility) - Compatibilità Elettromagnetica alla pagina 72*.
- Bassa Tensione (LVD) - Direttiva 2014/35/EU. Consultare .
- Restrizioni all'Uso di Sostanze Pericolose (RoHS) - Direttiva 2011/65/EU. Consultare *Smaltimento e Riciclaggio alla pagina 73*.

Una copia della dichiarazione di conformità originale può essere richiesta ad Axis Communications AB. Consultare *Informazioni di contatto alla pagina 73*.

EMC (Electromagnetic Compatibility) - Compatibilità Elettromagnetica

Questo apparecchio è stato progettato e testato per soddisfare le norme applicabili per:

- Frequenza di emissione radio, se installato secondo le istruzioni e utilizzato nell'ambiente di destinazione.
- Immunità ai fenomeni elettrici ed elettromagnetici, se installato secondo le istruzioni e utilizzato nell'ambiente di destinazione.

Stati Uniti

Questo dispositivo è stato testato utilizzando un cavo di rete schermato (STP) ed è risultato conforme ai limiti per i dispositivi digitali di Classe A, di cui alla parte 15 delle norme FCC. Questi limiti sono stabiliti per fornire una protezione adeguata contro interferenze dannose in caso di utilizzo dell'apparecchiatura in un ambiente commerciale. Questo dispositivo genera, usa ed emette energia a radiofrequenza e, se non installato ed utilizzato in base alle informazioni fornite nel manuale di istruzioni, potrebbe causare interferenze dannose alle comunicazioni radio. Il funzionamento di questo dispositivo in un'area residenziale può causare interferenze dannose, nel qual caso l'utente sarà tenuto a correggere l'interferenza a proprie spese. Il dispositivo deve essere collegato con un cavo di rete schermato (STP) adeguatamente connesso a terra.

Canada

Questo dispositivo digitale è conforme alla normativa canadese CAN ICES-3 (Classe A). Il dispositivo deve essere collegato con un cavo di rete schermato (STP) adeguatamente connesso a terra. Cet appareil numérique est conforme à la norme NMB ICES-3 (classe A). Le produit doit être connecté à l'aide d'un câble réseau blindé (STP) qui est correctement mis à la terre.

Europa

Questo dispositivo digitale è conforme ai requisiti per l'emissione di radiofrequenza stabiliti nel limite Classe A della norma EN 55022. Il dispositivo deve essere collegato con un cavo di rete schermato (STP) adeguatamente connesso a terra. Avviso! Questo è un dispositivo Classe A. In un ambiente domestico, questo dispositivo può causare interferenze RF, nel qual caso l'utente è tenuto ad adottare provvedimenti adeguati.

Questo dispositivo soddisfa i requisiti di immunità in accordo con la normativa EN 55024 Ambienti di lavoro e commerciali.

Australia/Nuova Zelanda

Questo dispositivo digitale è conforme ai requisiti per l'emissione di radiofrequenza stabiliti nel limite Classe A di AS/NZS CISPR 22. Il dispositivo deve essere collegato con un cavo di rete schermato (STP) adeguatamente connesso a terra. Avviso! Questo è un dispositivo Classe A. In un ambiente domestico, questo dispositivo può causare interferenze RF, nel qual caso l'utente è tenuto ad adottare provvedimenti adeguati.

Giappone

この装置は、クラスA情報技術装置です。この装置を家庭環境で使用すると電波妨害を引き起こすことがあります。この場合には使用者が適切な対策を講ずるよう要求されることがあります。本製品は、シールドドネットワークケーブル(STP)を使用して接続してください。また適切に接地してください。

Corea

이 기기는 업무용(A급) 전자파적합기기로서 판매자 또는 사업자는 이 점을 주의하시기 바라며, 가정외의 지역에서 사용하는 것을 목적으로 합니다. 적절히 접지된 STP (shielded twisted pair) 케이블을 사용하여 제품을 연결하십시오.

Smaltimento e Riciclaggio

Quando il dispositivo ha raggiunto la fine della sua vita utile, smaltirlo secondo le leggi e le normative locali. Per informazioni sul punto di raccolta più vicino, contattare l'autorità locale competente per lo smaltimento dei rifiuti. In conformità con la legislazione locale, possono essere applicate delle sanzioni per lo smaltimento non corretto di questi rifiuti.

Europa



Questo simbolo indica che il dispositivo non deve essere smaltito insieme ai normali rifiuti domestici o commerciali. La Direttiva 2012/19/UE sui rifiuti di apparecchiature elettriche ed elettroniche (RAEE) è applicabile agli stati membri dell'Unione Europea. Per evitare potenziali danni per la salute dell'uomo e per l'ambiente, il dispositivo deve essere smaltito in un processo di riciclaggio approvato e sicuro per l'ambiente. Per informazioni sul punto di raccolta più vicino, contattare l'autorità locale competente per lo smaltimento dei rifiuti. Alle imprese è richiesto di contattare il fornitore del dispositivo per informazioni su come smaltirlo correttamente.

Questo dispositivo è conforme ai requisiti della Direttiva 2011/65/EU sulla restrizione dell'uso di determinate sostanze pericolose nelle apparecchiature elettriche ed elettroniche (RoHS).

Cina



Questo dispositivo è conforme ai requisiti della normativa Administration on the Control of Pollution Caused by Electronic Information Products (ACPEIP) - Amministrazione sul controllo dell'inquinamento proveniente da dispositivi elettronici informatici.

Informazioni di contatto

Axis Communications AB
Emdalavägen 14
223 69 Lund
Sweden

Tel.: +46 46 272 18 00
Fax: +46 46 13 61 30

www.axis.com

Informazioni sulla garanzia

Per informazioni sulla garanzia del dispositivo Axis e informazioni ad esso relative, consultare la pagina www.axis.com/warranty/

Supporto

Per ottenere assistenza tecnica, rivolgersi al proprio rivenditore Axis. Se il rivenditore non è in grado di risolvere il problema, inoltrerà le richieste dell'utente agli appositi centri specializzati per garantire una risposta rapida. Se si è connessi a Internet, è possibile:

- scaricare la documentazione dell'utente e gli aggiornamenti del software
- trovare le risposte a problemi noti nel database delle domande frequenti (FAQ). Cercare per dispositivo, categoria o frase immessa
- segnalare i problemi allo staff di assistenza Axis accedendo alla propria area di supporto privata
- parlare via chat con lo staff di assistenza Axis
- visitare la pagina di assistenza tecnica Axis all'indirizzo www.axis.com/techsup/

Ulteriori informazioni!

Visitare il Centro di apprendimento Axis alla pagina www.axis.com/academy/ per servizi di formazione utili, webinar, tutorial e guide.

Informazioni di sicurezza

Leggere con attenzione questa guida all'installazione prima di installare il dispositivo. Conservare questo documento per usi futuri.

Livelli di pericolo

▲PERICOLO

Indica una situazione pericolosa che, se non evitata, provoca morte o lesioni gravi.

▲AVVERTENZA

Indica una situazione pericolosa che, se non evitata, potrebbe provocare la morte o lesioni gravi.

▲ATTENZIONE

Indica una situazione pericolosa che, se non evitata, potrebbe provocare lesioni medie o minori.

AWISO

Indica una situazione che, se non evitata, potrebbe danneggiare la proprietà.

Altri livelli di messaggio

Importante

Indica informazioni importanti, essenziali per il corretto funzionamento del dispositivo.

Nota

Indica informazioni utili che aiutano a ottenere il massimo dal dispositivo.

Informazioni di sicurezza

AVVISO

- Il dispositivo Axis deve essere utilizzato in conformità alle leggi e alle disposizioni locali.
- Conservare il dispositivo Axis in un ambiente asciutto e ventilato.
- Evitare di esporre il dispositivo Axis a urti o pressioni eccessive.
- Non installare il dispositivo su supporti, superfici, pareti o pali instabili.
- Utilizzare solo strumenti applicabili quando si installa il dispositivo Axis. Se si utilizza una forza eccessiva con strumenti non adatti è possibile causare danni al dispositivo.
- Non utilizzare sostanze chimiche, agenti caustici o detergenti aerosol.
- Utilizzare un panno pulito inumidito in acqua pura per la pulizia.
- Utilizzare solo accessori compatibili con le specifiche tecniche del dispositivo. Questi possono essere forniti da Axis o da terze parti.
- Utilizzare solo parti di ricambio fornite o consigliate da Axis.
- Non tentare di riparare il dispositivo da soli. Contattare l'assistenza o il rivenditore Axis per questioni relative alla manutenzione.

AVVISO

- Proteggere il cavo di alimentazione da qualsiasi danno; prestare particolare attenzione a spine, prolunghe e uscite.
- Installare un dispositivo di protezione contro le sovratensioni per proteggere il motore.
- Evitare l'utilizzo di cavi di installazione eccessivamente lunghi per evitare incendi o folgorazioni.

Importante

- Mantenere il motore sgombro da oggetti non identificati o liquidi corrosivi poiché potrebbero causare cortocircuiti al motore.
- Non toccare il motore durante il funzionamento.
- Non installare o azionare il motore in luoghi pericolosi in cui sono immagazzinate sostanze infiammabili o esplosive.

Trasporto

AVVISO

- Durante il trasporto del dispositivo Axis, utilizzare l'imballaggio originale o equivalente per evitare danni al dispositivo.

Contenido del paquete

- Motor de movimiento horizontal-vertical Y3040
- Kit de montaje
 - 4 tornillos M5x10 para el montaje de la carcasa de la cámara sobre el soporte adaptador
 - 4 tornillos para el montaje del motor de movimiento horizontal/vertical sobre la escuadra de pared recomendada
 - 1 llave Allen
 - Soporte adaptador A (premontado) y B
- Materiales impresos
 - Guía de instalación (este documento)
 - Plantilla de perforado (con escuadra de pared YP3040)

Accesorios recomendados

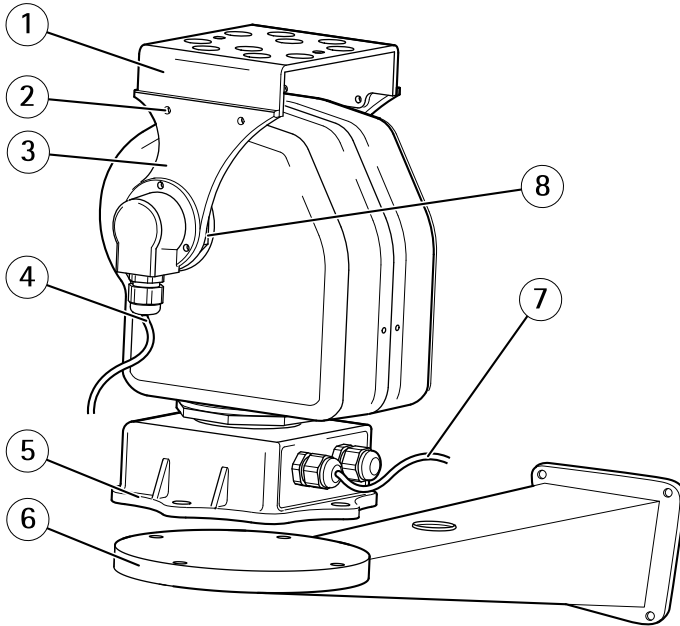
- Soporte de pared YP3040 para el motor de movimiento horizontal/vertical YP3040
- Adaptador de corriente AXIS PS24, entrada de alimentación 100-230 V CA, apto para uso en interiores y exteriores

YP3040 Pan-Tilt Motor

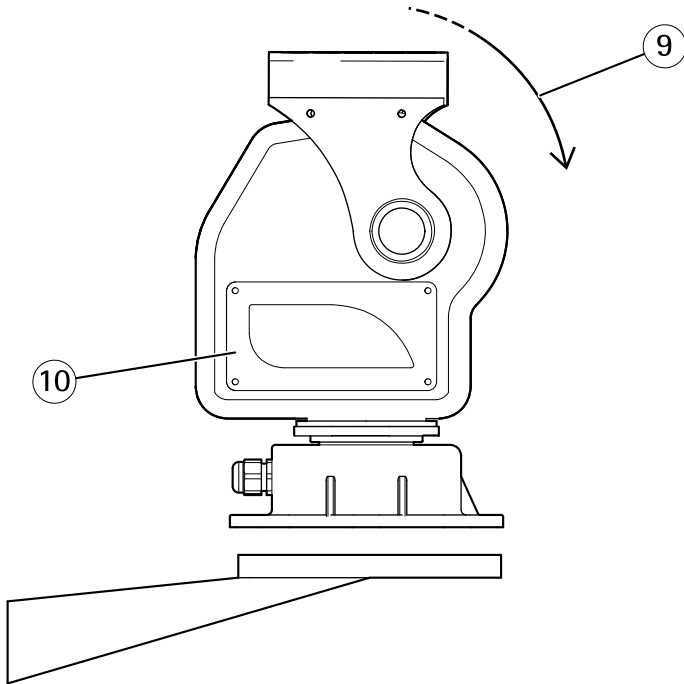
Información general del hardware

Para conocer las especificaciones de los componentes del hardware, vea .

Información general del producto



- 1 Soporte adaptador
- 2 Tornillos de montaje (4x)
- 3 Abrazadera
- 4 Cable de control PTZ RS485
- 5 Base de montaje
- 6 Soporte de pared (accesorio recomendado)
- 7 Cable de la fuente de alimentación de 24 V CA
- 8 Eje de la abrazadera

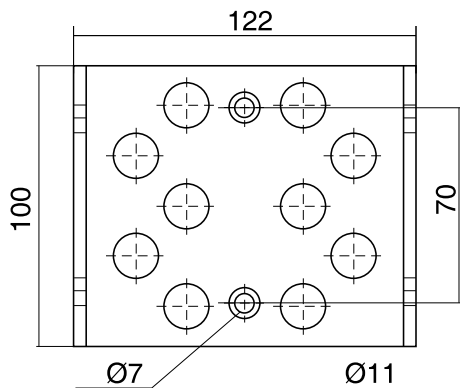


- 9 Dirección de inclinación
- 10 Panel lateral

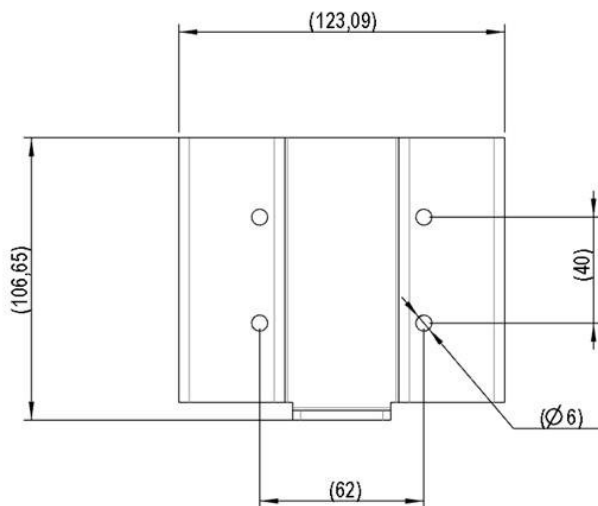
Dimensiones del soporte adaptador

Agujeros de montaje para la carcasa/cámara.

YP3040 Pan-Tilt Motor



Soporte adaptador A



Soporte adaptador B

Cómo instalar el producto

Instalación del hardware

Esta Guía de Instalación incluye las instrucciones necesarias para instalar el motor de movimiento horizontal/vertical YP3040.

1. Instalación de la escuadra de pared
2. Instalación del motor de movimiento horizontal/vertical
3. Instalación de la cámara en la carcasa
4. Instalación de la carcasa en el motor de movimiento horizontal/vertical
5. Conexión de los cables

Instalación de la escuadra de pared

1. Prepare la pared para la instalación de la escuadra de pared (accesorio recomendado), use la plantilla de perforado incluida para situar los agujeros. Asegúrese de usar brocas, tornillos y tacos adecuados para el material.

Importante

Para evitar colisiones, asegúrese de que haya espacio libre suficiente en torno al motor de movimiento horizontal/vertical y la cámara/carcasa (el espacio mínimo libre hacia el techo es de 60 cm desde el borde superior de la escuadra de pared).

2. Guíe los cables a través de la escuadra de pared, consulte *Conexión de los cables en la página 82*.
3. Fije la escuadra de pared a la pared con la plataforma circular hacia arriba.

Importante

Asegúrese de dejar la holgura suficiente como para que los cables puedan doblarse y torcerse junto a la unidad.

Instalación del motor de movimiento horizontal/vertical

1. Coloque el motor de movimiento horizontal/vertical sobre el soporte de pared, vea la ilustración en *página 78* para comprobar la alineación y la dirección de inclinación.
2. Asegure el motor de movimiento horizontal/vertical apretando los tornillos incluidos.

Instalación de la cámara en la carcasa

Instale la cámara en la carcasa según las instrucciones de la Guía de Instalación proporcionada con la carcasa. Asegúrese de permitir que los cables del control PTZ atraviesen la carcasa y lleguen a la cámara. Consulte *Conexión de los cables en la página 82*. Para más información, consulte las Guías de instalación proporcionadas con la carcasa y la cámara.

Instalación de la carcasa en el motor de movimiento horizontal/vertical

1. Separe el soporte adaptador retirando los tornillos de montaje de la abrazadera con la llave allen incluida.
2. Use los dos tornillos de cabeza avellanada incluidos para montar la carcasa sobre el soporte adaptador.
3. Fije el soporte adaptador con la carcasa a la abrazadera.

Conexión de los cables

1. Conecte la fuente de alimentación al motor de movimiento horizontal/vertical según especifica la guía de instalación suministrada con el adaptador de corriente. El adaptador de corriente recomendado es el adaptador de corriente AXIS PS24. Para obtener más información sobre este producto, consulte el sitio web de Axis en www.axis.com.

	Color del cable	Conectar a
Cable de la fuente de alimentación de 24 V CA	Azul	24 V CA en la fuente de alimentación
	Marrón	24 V CA en la fuente de alimentación
	Amarillo/verde	GND

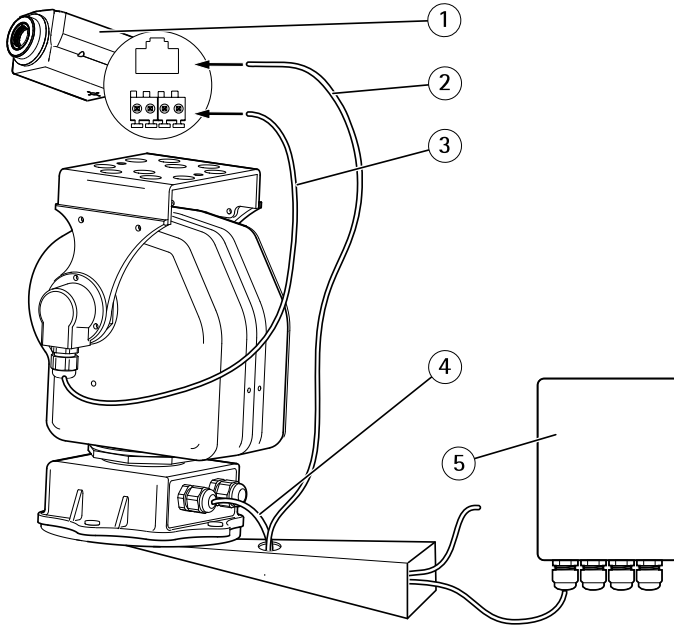
2. Conecte el cable de control PTZ al puerto RS485 de la cámara. Los distintos modelos de cámara tienen distintos conectores de terminal, asegúrese de seguir la descripción correcta para la cámara instalada. El conector correcto se suministra con la cámara de red Axis. Para obtener más información sobre las cámaras de red Axis, consulte el sitio web de Axis en www.axis.com.

	Color del cable	Conectar a
Cable de control PTZ (RS485)	Rojo	A+ en cámara
	Azul	B- en cámara

3. Para conectar la cámara a la red, consulte la Guía de instalación proporcionada con la cámara.

Nota

El conector RJ45 del cable de red no pasará por el prensaestopas de la parte inferior de la carcasa. El cable debe cortarse, introducirse por el prensaestopas y volverse a empalmar.



- 1 Cámara de red
- 2 Cable de red (Ethernet RJ-45 a la cámara)
- 3 Cable de control PTZ (RS485 a la cámara)
- 4 Cable de la fuente de alimentación (24 V CA desde el adaptador de corriente)
- 5 Adaptador de corriente

Acceso al producto

Al instalar una cámara de red Axis compatible en el motor de movimiento horizontal/vertical de la YP3040, los controles estarán disponibles en la página Live View de la página web de las cámaras de red una vez que active la funcionalidad PTZ en las herramientas de configuración. Para habilitar la funcionalidad PTZ en la cámara, siga las instrucciones detalladas a continuación:

1. Vaya a **Setup > System Options > Ports & Devices > COM Port (Configuración > Opciones del sistema > Puertos y dispositivos > Puerto COM)** en las páginas web de la cámara, y configure el uso para realizar movimiento horizontal/vertical.
2. Consulte el manual del usuario proporcionado con el producto para obtener instrucciones sobre cómo configurar la funcionalidad PTZ.

YP3040 Pan-Tilt Motor

Especificaciones técnicas

Unidad	Función	Descripción	
YP3040	Tensión de entrada	24 V CA 50/60 Hz	
	Consumo energético	30 VA	
	Rango de movimiento.	Horizontal	De 0° a 355°
		Vertical	De 10° a -80°
	Velocidad de movimiento	Horizontal	7,5°/s
		Vertical	6°/s
	Protocolo (predeterminado)	Pelco D	
	Velocidad de bits (predeterminada)	2400 bps	
	Dirección (predeterminada)	1	
	Temperatura de funcionamiento	De -20 °C a 65 °C	
	Carga	Par (eje de la abrazadera, ver página 6)	1,5 N m
		Tipo de carga	Carga superior
		Carga máxima	8 kg
	Peso	4,2 kg	
Clase de protección	IP66 (para uso en interior y exterior)		
Construcción	Aleación de aluminio		

Solución de problemas

Problema	Causa probable	Remedio
El YP3040 no se mueve	No hay alimentación	Asegúrese de que la fuente de alimentación esté conectada.
	Conexión defectuosa de la fuente de alimentación	Compruebe que el cable de alimentación esté intacto y conectado correctamente
El YP3040 se mueve cuando se le aplica alimentación, pero de lo contrario no responde a las órdenes	Conexión defectuosa del cable RS485 con la cámara de red	Compruebe que el cable RS485 esté intacto y conectado correctamente
	La funcionalidad PTZ no está activada en la cámara de red	Compruebe que la funcionalidad PTZ esté activada en las herramientas de configuración, consulte <i>Acceso al producto</i>

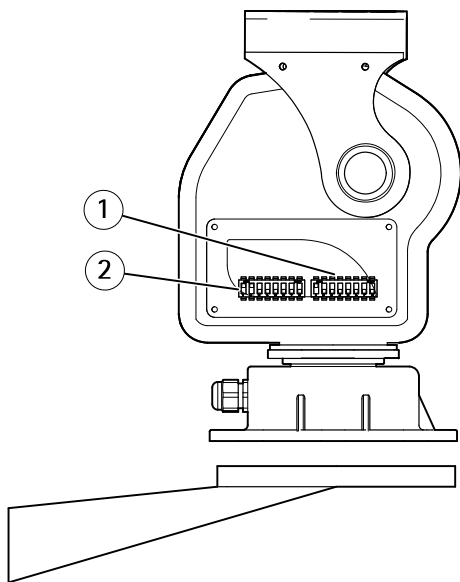
Acerca de la configuración del switch DIP

La transmisión entre el motor y la cámara no funcionará si la cámara emplea un protocolo y una velocidad de bits distintos a los del motor. En el caso de cámaras que tengan un protocolo distinto al Pelco-D y una velocidad de bits de 2400 bps, los switches DIP deben cambiarse. Consulte *Cambiar la configuración del switch DIP en la página 87*.

Nota

La configuración predeterminada de fábrica del motor de movimiento horizontal/vertical YP3040 se basa en el protocolo Pelco-D y en una velocidad de bits de 2400 bps. Esto implica que la configuración del conmutador DIP no debe cambiarse al usar el motor con una cámara de red Axis con el protocolo Pelco-D.

El motor de movimiento horizontal/vertical YP3040 tiene dos conjuntos de 8 switches DIP digitales.



- 1 *Seleccionar dirección*
- 2 *Seleccionar función*

Los 8 switches del lado izquierdo se usan para seleccionar funciones como el protocolo, la velocidad de bits y la resistencia terminal. Los 8 switches del lado derecho se usan para seleccionar varias direcciones únicas al conectar varias unidades en serie mediante un servidor de vídeo multicanal. Hay 255 combinaciones de switch diferentes.

Nota

En una instalación típica solo se requiere una dirección predeterminada.

Cambiar la configuración del switch DIP

1. Afloje los cuatro tornillos del montaje del panel lateral y retire el panel lateral.
2. Configure los ocho switches para la selección de funciones. Los switches 1, 2, 3 y 4 se usan para seleccionar el protocolo de control PTZ. El switch 7 siempre está DESACTIVADO. El switch 8 se usa para conectar una resistencia terminal de 120 Ω, ACTÍVELO cuando sea necesario.

Seleccionar funciones		1	2	3	4	5	6	7	8
Protocolo	Pelco D (pre-determinado)	OFF	ACTIVADO	ON	DESACTIVADO				
	Pelco-P	DESACTIVADO	ACTIVADO	DESACTIVADO	DESACTIVADO				
	AD/AB	DESACTIVADO	DESACTIVADO	ACTIVADO	DESACTIVADO				
Velocidad de bits	2400 bps					DESACTIVADO	DESACTIVADO		
	4800 bps					ACTIVADO	DESACTIVADO		
	9600 bps					DESACTIVADO	ACTIVADO		
	19200 bps					ACTIVADO	ACTIVADO		

YP3040 Pan-Tilt Motor

Seleccionar funciones		1	2	3	4	5	6	7	8
Resistencia terminal	DESACTIVADO (predeterminado)								DESACTIVADO
	120 Ω								ACTIVADO
								DESACTIVADO	

3. Configure los 8 switches para la selección de direcciones.

Seleccionar funciones	1	2	3	4	5	6	7	8
1 (predeterminado)	ACTIVADO	DESACTIVADO	DESACTIVADO	DESACTIVADO	DESACTIVADO	DESACTIVADO	DESACTIVADO	DESACTIVADO
2	DESACTIVADO	ACTIVADO	DESACTIVADO	DESACTIVADO	DESACTIVADO	DESACTIVADO	DESACTIVADO	DESACTIVADO
3	ACTIVADO	ACTIVADO	DESACTIVADO	DESACTIVADO	DESACTIVADO	DESACTIVADO	DESACTIVADO	DESACTIVADO
4	DESACTIVADO	DESACTIVADO	ACTIVADO	DESACTIVADO	DESACTIVADO	DESACTIVADO	DESACTIVADO	DESACTIVADO

Seleccionar funciones	1	2	3	4	5	6	7	8
5	AC-TIV-ADO	DE-SAC-TIV-ADO	AC-TIV-ADO	DES-AC-TIV-ADO	DE-SAC-TIV-ADO	DES-AC-TIV-ADO	DE-SAC-TIV-ADO	DES-AC-TIV-ADO
...							
254	DE-SAC-TIV-ADO	AC-TIV-ADO	AC-TIV-ADO	AC-TIV-ADO	AC-TIV-ADO	AC-TIV-ADO	AC-TIV-ADO	AC-TIV-ADO
255	AC-TIV-ADO	AC-TIV-ADO	AC-TIV-ADO	AC-TIV-ADO	AC-TIV-ADO	AC-TIV-ADO	AC-TIV-ADO	AC-TIV-ADO

4. Vuelva a colocar el panel lateral y apriete los tornillos.

YP3040 Pan-Tilt Motor

Más información

- Para consultar la versión más reciente de este documento, vaya a www.axis.com
- Para comprobar si existe un firmware actualizado disponible para su producto de red, vaya a www.axis.com/support
- Para consultar seminarios web y cursos en línea que pueden resultarle útiles, vaya a www.axis.com/academy

Accesorios opcionales

Para conocer una lista completa de los accesorios disponibles para este producto, vea www.axis.com

Consideraciones legales

La vigilancia mediante vídeo y audio puede estar regulada por leyes distintas en cada país. Infórmese sobre las leyes locales antes de usar este producto para propósitos de vigilancia.

Responsabilidad

Este documento se ha elaborado con sumo cuidado. Le rogamos que informe a la oficina local de Axis de cualquier imprecisión u omisión que detecte. Axis Communications AB no asume ninguna responsabilidad derivada de posibles errores técnicos o tipográficos y se reserva el derecho a modificar el producto y los manuales que lo acompañan sin previo aviso. Axis Communications AB no ofrece garantía de ningún tipo en lo que respecta al material incluido en este documento, incluidas, aunque sin limitarse a ellas, garantías implícitas de comerciabilidad o de idoneidad para un fin determinado. Axis Communications AB en ningún caso será responsable de cualesquiera daños incidentales o emergentes relacionados con la provisión, el rendimiento ni el uso de este material. Este producto debe utilizarse exclusivamente para la finalidad prevista.

Derechos de la propiedad intelectual

Axis AB cuenta con derechos de la propiedad intelectual relacionados con la tecnología incorporada en el producto descrito en este documento. En particular, y sin limitaciones, estos derechos de la propiedad intelectual pueden incluir una o más de las patentes enumeradas en www.axis.com/patent.htm y una o más patentes adicionales o aplicaciones de patentes pendientes en EE. UU.

Modificaciones del equipo

Este equipo debe instalarse y utilizarse estrictamente conforme a las instrucciones proporcionadas en la documentación de usuario. Este equipo carece de componentes que pueda reparar el usuario. Los cambios o las modificaciones sin autorización del equipo anularán todas las homologaciones y los certificados normativos aplicables.

Reconocimiento de marcas comerciales

AXIS COMMUNICATIONS, AXIS, ETRAX, ARTPEC y VAPIX son marcas comerciales registradas o aplicaciones de marcas comerciales de Axis AB en distintas jurisdicciones. Los demás nombres de empresas y productos son marcas comerciales o marcas comerciales registradas de sus respectivas empresas.

Información normativa

Europa

CE Este producto cumple las directivas y las normas armonizadas aplicables de mercado CE:

- Directiva de compatibilidad electromagnética (EMC) 2014/30/UE. Vea *Compatibilidad electromagnética (EMC) en la página 91*.
- Directiva sobre baja tensión (LVD) 2014/35/UE. Vea .
- Directiva sobre restricción de sustancias peligrosas (RoHS) 2011/65/UE. Vea *Eliminación y reciclado en la página 92*.

Se puede obtener una copia de la declaración original de conformidad en Axis Communications AB. Vea *Información de contacto en la página 92*.

Compatibilidad electromagnética (EMC)

Este equipo se ha diseñado y probado para cumplir con las normas aplicables sobre:

- Emisiones de radiofrecuencia, instalado conforme a las instrucciones y utilizado en los entornos para los que se ha diseñado.
- Inmunidad contra fenómenos eléctricos y electromagnéticos, instalado conforme a las instrucciones y utilizado en los entornos para los que se ha diseñado.

EE. UU.

Este equipo se ha probado con un cable de red blindado y se ha comprobado que cumple con las restricciones para dispositivos digitales de clase A de conformidad con la parte 15 de las reglas de la FCC. Estos límites se han diseñado para ofrecer una protección razonable frente a una interferencia perjudicial cuando se utiliza el equipo en un entorno comercial. Este equipo genera, usa y puede irradiar energía de radiofrecuencia y, si no se instala y utiliza de acuerdo con el manual de instrucciones, puede provocar una interferencia perjudicial en las comunicaciones de radio. El uso de este equipo en una zona residencial puede causar interferencias perjudiciales, en cuyo caso el usuario deberá corregir las interferencias por su cuenta. El producto debe conectarse mediante un cable de red blindado que disponga de una conexión a tierra adecuada.

Canadá

Este dispositivo digital cumple con la normativa CAN ICES-3 (clase A). El producto debe conectarse mediante un cable de red blindado que disponga de una conexión a tierra adecuada. Cet appareil numérique est conforme à la norme NMB ICES-3 (classe A). Le produit doit être connecté à l'aide d'un câble réseau blindé (STP) qui est correctement mis à la terre.

Europa

Este equipo digital cumple con los requisitos de emisiones de RF de acuerdo con las restricciones de la Clase A de EN 55022. El producto debe conectarse mediante un cable de red blindado que disponga de una conexión a tierra adecuada. ¡Aviso! Este es un producto de clase A. Este producto puede provocar interferencias de RF en un entorno doméstico. En ese caso, se le solicitará al usuario que tome las medidas oportunas.

Este producto cumple con los requisitos sobre inmunidad de acuerdo con los entornos comerciales y de oficina de EN 55024.

Australia/Nueva Zelanda

Este equipo digital cumple con los requisitos de emisiones de RF de acuerdo con las restricciones de la clase A de AS/NZS CISPR 22. El producto debe conectarse mediante un cable de red blindado que disponga de una conexión a tierra adecuada. ¡Aviso! Este es un producto de clase A. Este producto puede provocar interferencias de RF en un entorno doméstico. En ese caso, se le solicitará al usuario que tome las medidas oportunas.

Japón

この装置は、クラスA 情報技術装置です。この装置を家庭環境で使用すると電波妨害を引き起こすことがあります。この場合には使用者が適切な対策を講ずるよう要求されることがあります。本製品は、シールドネットワークケーブル(STP)を使用して接続してください。また適切に接地してください。

Corea

이 기기는 업무용(A급) 전자파적합기기로서 판매자 또는 사용자는 이 점을 주의하시기 바라며, 가정외의 지역에서 사용하는 것을 목적으로 합니다. 적절히 접지된 STP (shielded twisted pair) 케이블을 사용하여 제품을 연결하십시오.

Eliminación y reciclado

Cuando este producto haya llegado al final de su vida útil, elimínelo de acuerdo con las leyes y normas locales. Para obtener información sobre el punto de recogida designado más cercano, póngase en contacto con su responsable de la autoridad local para la eliminación de residuos. De acuerdo con la legislación local, pueden aplicarse multas por la eliminación incorrecta de este residuo.

Europa



Este símbolo significa que el producto no debe eliminarse junto con residuos comerciales o domésticos. Se aplica la directiva 2012/19/UE sobre residuos de aparatos eléctricos y electrónicos (RAEE) en los estados miembro de la Unión Europea. Para evitar posibles daños en la salud y en el entorno, el producto debe eliminarse mediante un proceso de reciclado aprobado y seguro para el medioambiente. Para obtener información sobre el punto de recogida designado más cercano, póngase en contacto con su responsable de la autoridad local para la eliminación de residuos. Las empresas deben ponerse en contacto con el proveedor del producto para obtener información sobre cómo eliminar este producto adecuadamente.

Este producto cumple con los requisitos de la directiva 2011/65/UE sobre restricciones a la utilización de determinadas sustancias peligrosas en aparatos eléctricos y electrónicos (RoHS).

China



Este producto cumple con los requisitos del acto legislativo de administración del control de la contaminación provocada por productos electrónicos e informáticos (ACPEIP).

Información de contacto

Axis Communications AB
Emdalavägen 14
223 69 Lund
Suecia

Tel: +46 46 272 18 00

Fax: +46 46 13 61 30

www.axis.com

Información de garantía

Para obtener más detalles sobre la garantía del producto Axis y la información relacionada con ella, consulte www.axis.com/warranty/

Soporte técnico

Si precisa asistencia técnica, póngase en contacto con su distribuidor de Axis. Si no se puede responder a sus preguntas de inmediato, el distribuidor le enviará consultas a través de los canales apropiados para garantizar una respuesta rápida. Si dispone de conexión a Internet, puede realizar las siguientes acciones:

- Descargar la documentación del usuario y las actualizaciones de software.
- Encontrar las respuestas a problemas resueltos en la base de datos de preguntas más frecuentes. Buscar por producto, categoría o frase.
- Informar de problemas al personal del servicio de asistencia técnica de Axis mediante el inicio de sesión en la zona privada de asistencia técnica.
- Hablar mediante chat con el personal del servicio de asistencia técnica de Axis
- Visitar la página de asistencia técnica de Axis en www.axis.com/techsup/.

¡Más información!

Visite el centro de formación de Axis en www.axis.com/academy/ para consultar cursos, seminarios Web, tutoriales y guías de gran utilidad.

Información de seguridad

Lea esta Guía de instalación con atención antes de instalar el producto. Guarde la Guía de instalación para poder consultarla en otro momento.

Niveles de peligro

▲PELIGRO

Indica una situación peligrosa que, si no se evita, provocará lesiones graves o la muerte.

▲ADVERTENCIA

Indica una situación peligrosa que, si no se evita, puede provocar lesiones graves o la muerte.

▲ATENCIÓN

Indica una situación peligrosa que, si no se evita, puede provocar lesiones moderadas o leves.

AVISO

Indica una situación peligrosa que, si no se evita, puede provocar daños materiales.

Otros niveles de mensaje

Importante

Indica información importante que es fundamental para que el producto funcione correctamente.

Nota

Indica información útil que ayuda a aprovechar el producto al máximo.

YP3040 Pan-Tilt Motor

Instrucciones de seguridad

AVISO

- El producto de Axis debe utilizarse de acuerdo con las leyes y normativas locales.
- Almacene el producto de Axis en un entorno seco y ventilado.
- Evite la exposición del producto de Axis a choques o a una fuerte presión.
- No instale el producto en postes, soportes, superficies o paredes inestables.
- Utilice solo las herramientas correspondientes cuando instale el producto de Axis. La aplicación de una fuerza excesiva con herramientas eléctricas puede provocar daños en el producto.
- No utilice limpiadores en aerosol, agentes cáusticos ni productos químicos.
- Limpie con un paño limpio humedecido con agua pura.
- Utilice solo accesorios que cumplan con las especificaciones técnicas del producto. Estos accesorios los puede proporcionar Axis o un tercero.
- Utilice solo piezas de repuesto proporcionadas o recomendadas por Axis.
- No intente reparar el producto usted mismo. Póngase en contacto con el servicio de asistencia técnica de Axis o con su distribuidor de Axis para tratar asuntos de reparación.

AVISO

- Proteja el cable de alimentación ante cualquier daño, preste especial atención a las conexiones, extensiones y salidas.
- Instale un protector de sobretensión para proteger al motor frente a las sobretensiones.
- Evite el uso de cables de instalación excesivamente largos para evitar los incendios o las descargas eléctricas.

Importante

- Mantenga los objetos no identificados o los líquidos corrosivos lejos del motor, ya que podrían causar cortocircuitos.
- No toque el motor durante la operación.
- No instale el motor ni lo haga funcionar en ubicaciones peligrosas en las que se almacenen objetos inflamables o explosivos.

Transporte

AVISO

- Cuando transporte el producto de Axis, utilice el embalaje original o un equivalente para evitar daños en el producto.

パッケージの内容

- YP3040 パン/チルトモーター本体
- 取り付けキット
 - 4本のM5x10 (カメラハウジングのアダプタブラケットへの取り付け用)
 - 4本のボルト (パン/チルトモーターの推奨される壁面ブラケットへの取り付け用)
 - 1本の六角レンチ
 - アダプタブラケット A (予め装着済み) および B
- 印刷物
 - インストールガイド (本書)
 - ドリルテンプレート (YP3040 の壁面ブラケット用)

推奨されるアクセサリ

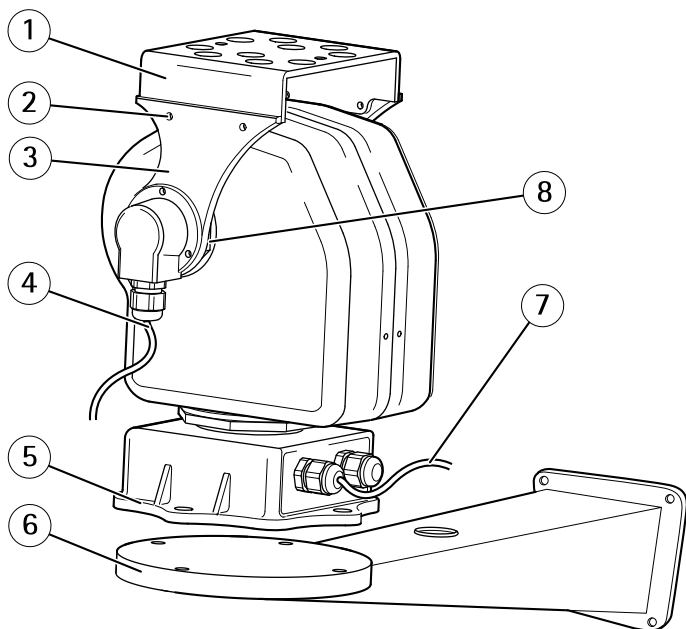
- YP3040 パン/チルトモーター用の YP3040 壁面ブラケット
- AXIS PS24 主電力アダプタ (電源入力 100—230 V AC) は屋内および屋外の両方の使用に適しています

YP3040 Pan-Tilt Motor

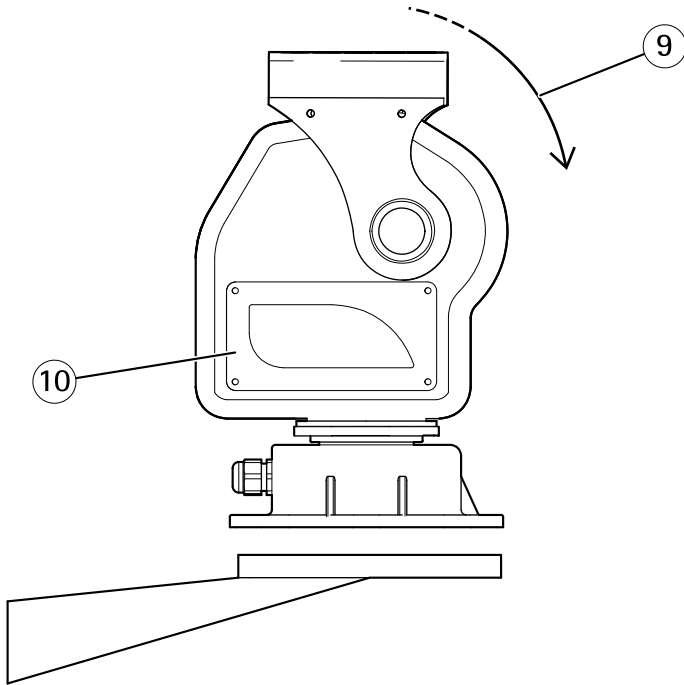
ハードウェアの概要

ハードウェアコンポーネントの仕様については、を参照してください。

製品の概要



- 1 アダプタブラケット
- 2 取り付け用ネジ(×4)
- 3 ブレース
- 4 PTZコントロールケーブル RS485
- 5 取り付けベース
- 6 壁面ブラケット (推奨されるアクセサリ)
- 7 電源ケーブル 24 V AC
- 8 ブレース軸

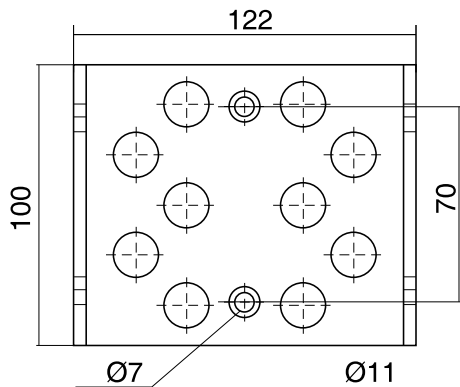


- 9 チルトの向き
- 10 サイドパネル

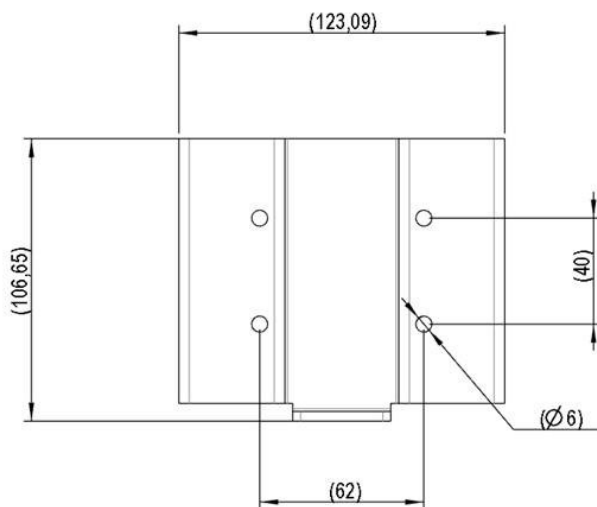
アダプタブラケットの寸法

ハウジング/カメラ用の取付穴。

YP3040 Pan-Tilt Motor



アダプターブラケットA



アダプターブラケットB

製品の取り付け方法

ハードウェアの設置

このインストールガイドでは、YP3040 パン/チルトモーター をインストールする手順について説明します。

1. 壁面ブラケットの取り付け
2. パン/チルトモーターをインストールします
3. カメラをハウジングにインストールします。
4. ハウジングをパン/チルトモーターにインストールします
5. ケーブルを接続します

壁面ブラケットの取り付け

1. 壁に壁面ブラケット（推奨されるアクセサリ）を取り付ける準備を行い、付属されたドリルテンプレートを使って穴を配置します。材質に適したドリルビット、ねじ、およびプラグを使用してください。

重要

衝突を避けるために、パン/チルトモーターおよびカメラ/カメラハウジングの間に十分な空間があることを確認します（壁面ブラケットの上端から天までの最小隙間間隔は 60cm または 24in です）。

2. ケーブルを壁面ブラケットから引っ張ります。詳細については、100ページの、ケーブルの接続を参照してください。
3. 丸いプラットフォームが上向きの状態で壁面ブラケットを壁に取り付けます。

重要

ケーブルがユニットを沿ってねじれたり曲がったりできるように十分な緩みを確保します。

パン/チルトモーターのインストール

1. パン/チルトモーターを壁面ブラケットに設置します。イラストやチルトのアライメントおよび方向については、96ページを参照してください。
2. パン/チルトモーターを、付属されているボルトを締めつけて固定します。

カメラのハウジングへの収納

カメラを、ハウジングに付属するインストールガイドに記載されている手順に従って、ハウジングにインストールします。PTZコントロールケーブルがハウジングを通してカメラに届くことを確認してください。詳細については、100ページの、ケー

YP3040 Pan-Tilt Motor

ブルの接続を参照してください。詳細については、ハウジングおよびカメラに付属しているインストールガイドを参照してください。

ハウジングをパン/チルトモーターにインストールします

1. アダプタブラケットを、支給された六角レンチでブレースの取り付け用ネジを取り外します。
2. 付属している2本の皿頭ネジを使用して、ハウジングをアダプタブラケットに装着します。
3. ハウジングが付いているアダプタブラケットをブレースに取り付けます。

ケーブルの接続

1. 電源を主電源アダプターに付属のインストールガイドに従ってパン/チルトモーターに接続します。推奨される主電源は、AXIS PS24 主電源アダプターです。本製品の詳細については、Axis のホームページ (www.axis.com) を参照してください

	ワイヤーの色	次に接続する：
電源ケーブル 24 V AC	青	24 V AC の電源
	茶	24 V AC の電源
	黄/緑	GND

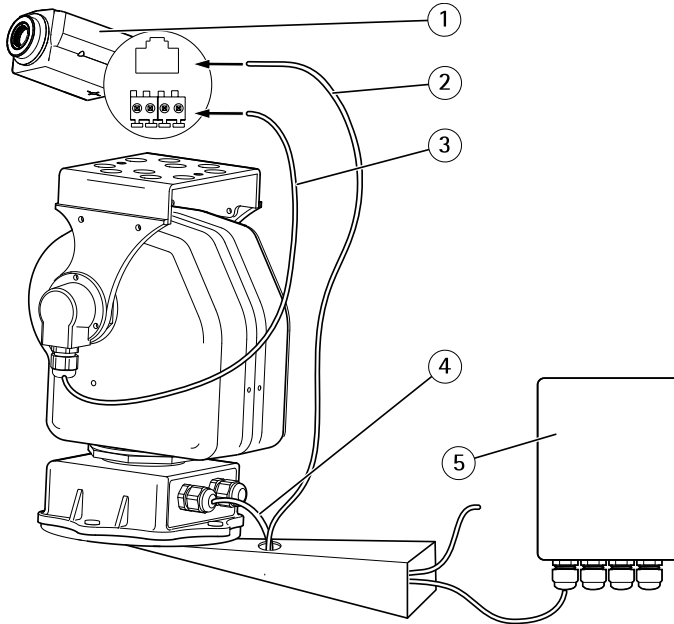
2. PTZ コントロールケーブルをカメラの RS485 ポートに接続します。異なるカメラモデルには異なるターミナルコネクタがあるため、インストールされたカメラの正しい説明に従ってください。正しいコネクタが Axis ネットワークカメラに付属されています。Axis ネットワークカメラの詳細については、Axis のホームページ (www.axis.com) を参照してください

	ワイヤーの色	次に接続する：
PTZ コントロールケーブル (RS485)	赤	A+ (カメラ上)
	青	B- (カメラ上)

3. カメラをネットワークに接続し、カメラに付属するインストールガイドを参照します。

注意

ネットワークケーブル用のRJ45 コネクタは、ハウジングの底面にあるケーブルグランドを通り抜けません。ケーブルを切断し、ケーブルグランドにねじ込むように通して、再クリンプする必要があります。



- 1 ネットワークカメラ
- 2 ネットワークケーブル (Ethernet RJ-45 からカメラへ)
- 3 PTZ コントロールケーブル (RS485 からカメラへ)
- 4 電源ケーブル (主電源アダプターからの 24 VAC)
- 5 主電源アダプター

製品へのアクセス

YP3040 パン/チルトモーターに互換性のある Axis ネットワークカメラをインストールした後にセットアップツールで PTZ 機能を有効にすると、カメラのライブビューページからコントロールにアクセスすることができます。以下の手順にしたがって、カメラの PTZ 機能を有効化します。

1. カメラのウェブページで **Setup > System Options > Ports & Devices > COM Port** (設定 > システムオプション > ポートとデバイス > COM ポート) に移動し、使用をパン/チルトに設定します。

YP3040 Pan-Tilt Motor

2. PTZ 設定の構成手順については、製品に付属しているユーザーマニュアルを参照してください。

技術仕様

ユニット	機能		説明
YP3040	入力電圧		24 V AC 50/60 Hz
	消費電力		30 VA
	移動範囲	パン	0° から 355°
		チルト	10° ~ -80°
	移動速度	パン	7.5° /s
		チルト	6° /s
	プロトコル (デフォルト)		Pelco-D
	ビットレート (デフォルト)		2400 bps
	アドレス (デフォルト)		1
	動作温度		-20° C ~ 65° C (-4° F ~ 149° F)
	負荷	トルク (ブレース軸、6ページ参照)	1.5 N m (1.1 ft. lb)
		負荷の種類	天井荷重
		最大荷重	8 kg (17.6 lb)
	重量		4.2 kg (9.3 lb)
	保護クラス		IP66 (屋内、屋外使用向け)
建設		アルミニウム合金	

トラブルシューティング

問題	問題の原因	解決方法
YP3040 が動かない	電力なし	電源に接続されていることを確認してください
	電源接続の障害	電源ケーブルが傷ついていないこと、および接続が正しいことを確認してください
YP3040 は電源が印加された場合は作動するが、その他の場合はコマンドに応答しない	Faulty RS485 ケーブルのネットワークカメラへの接続の障害	RS485 ケーブルが傷ついていないこと、および接続が正しいことを確認してください
	PTZ 機能はネットワークカメラでは有効ではありません	PTZ 機能がセットアップツールで有効になっていることを確認します。製品へのアクセスを参照してください。

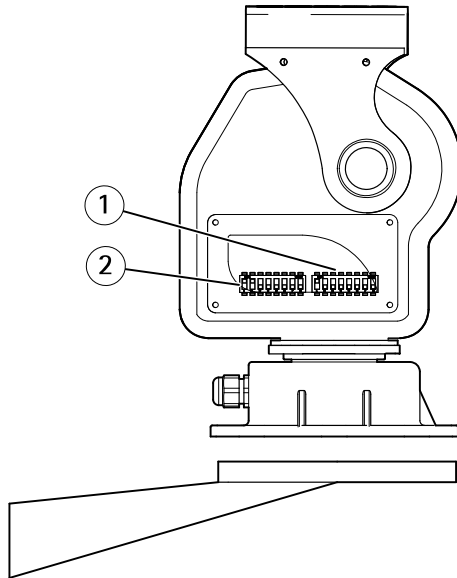
DIP スイッチの設定について

モーターおよびカメラ間の伝送は、カメラがモーターとは別のプロトコルおよびビットレートを正在している場合、うまくいきません。Pelco-D とは別のプロトコルを使用し、ビットレートが 2400 bps のカメラはディップスイッチを交換する必要があります。詳細については、106 ページの、*DIP スイッチの設定の変更*を参照してください。

注意

YP3040 パン/チルトモーターのデフォルトの工場出荷時の設定は Pelco-D プロトコルおよび 2400 bps のビットレートです。これは、モーターを Pelco-D プロトコル付きの Axis ネットワークカメラと使用する際に DIP スイッチの設定を変更する必要がないことを意味します。

YP3040 パン/チルトモーターには 8 つのデジタル DIP スイッチのセットが二つ備わっています。



- 1 アドレスを選択してください
- 2 機能を選択してください

左側の 8 つのスイッチは、プロトコル、ビットレート、および終端抵抗などの機能を選択するために使用されます。右側の 8 つのスイッチは、マルチチャンネルのビデオサーバーを介して複数のユニットを順次に接続する際に複数の一意のアドレスを選択するために使用されます。255 の異なるスイッチの組み合わせが存在します。

YP3040 Pan-Tilt Motor

注意

通常のインストールでは、単一のデフォルトアドレスしか必要ありません。

DIP スイッチの設定の変更

1. サイドパネル用取り付けネジ4本を緩めて、サイドパネルを取り外します。
2. 8つのスイッチを設定して機能を選択します。スイッチ 1、2、3、および 4 は、PTZ 制御プロトコルを選択するために使用されます。スイッチ 7 は常にオフ状態です。スイッチ 8 は 120 の終端抵抗 Ω を接続するために使用されます。必要な場合、スイッチをオンにします。

機能を選択してください		1	2	3	4	5	6	7	8
プロトコル	Pelco-D (デフォルト)	オン	オン	オフ	オフ				
	Pelco-P	オフ	オン	オフ	オフ				
	AD/AB	オフ	オフ	オン	オフ				
ビットレート	2400 bps					オフ	オフ		
	4800 bps					オン	オフ		
	9600 bps					オフ	オン		
	19200 bps					オン	オン		
終端抵抗	オフ (デフォルト)								オフ
	120 Ω								オン
								オフ	

3. 8つのスイッチを設定してアドレスを選択します。

機能を選択してください	1	2	3	4	5	6	7	8
1 (デフォルト)	オン	オフ	オフ	オフ	オフ	オフ	オフ	オフ
2	オフ	オン	オフ	オフ	オフ	オフ	オフ	オフ
3	オン	オン	オフ	オフ	オフ	オフ	オフ	オフ
4	オフ	オフ	オン	オフ	オフ	オフ	オフ	オフ
5	オン	オフ	オン	オフ	オフ	オフ	オフ	オフ
...							
254	オフ	オン	オン	オン	オン	オン	オン	オン
255	オン	オン	オン	オン	オン	オン	オン	オン

4. サイドパネルを取り付け、ネジを締めます。

関連情報

- 本書の最新バージョンについては、www.axis.comにアクセスしてください。
- ご使用の製品の新しいファームウェアがリリースされていないかを確認するには、www.axis.com/supportにアクセスしてください。
- 役に立つオンライントレーニングおよびWebセミナーをご用意しております。www.axis.com/academyをご覧ください。

オプションアクセサリ

本製品で利用可能なすべてのアクセサリについては、www.axis.comを参照してください

法律上の注意事項

ビデオ、音声監視は法律によって規制されている場合があります、その内容は国によって異なります。本製品を監視用途でご利用になる前に、ご利用いただく地域の法律を確認してください。

法的責任

本書は細心の注意をもって準備されています。誤りや欠落を見つけた場合には、お近くのAxisオフィスまでお知らせください。Axis Communications ABは、いかなる技術または印刷上の誤りについても一切責任を負わず、本製品およびマニュアルに予告なく変更を加える権利を留保します。Axis Communications ABは、市場性および特定目的への適合性に関する黙示的保証を含め(ただし、それらに限定されない)、本書の記載内容に関して、いかなる種類の保証もいたしません。Axis Communications ABは、本書の記載内容にしたがった機器の設置、性能、使用に関する間接的損害または結果的損害に責任も義務も負わないものとします。本製品は、その本来の目的でのみ使用してください。

知的財産権

AXIS ABは、本書に記載された製品で具体化された技術の知的財産権を保有しています。これらの知的財産権としては、具体的かつ無制限に、www.axis.com/patent.htmlに表示されている1つまたは複数の特許と米国および他の国々における1つまたは複数の追加特許または係属中の特許出願を含む場合があります。

製品の改修


本製品は、ユーザーズマニュアル記載の手順に厳密にしたがってインストールし、使用する必要があります。本製品には、ユーザーが修理できる部品は含まれていません。本製品を権限なく変更または改修すると、適用されるすべての規制上の認証や認可が無効になります。

商標

AXIS COMMUNICATIONS、AXIS、ETRAX、ARTPEC、およびVAPIXは、さまざまな管轄区域におけるAxis ABの登録商標または商標出願です。他のすべての会社名および製品は、各会社の商標または登録商標です。

規制情報

ヨーロッパ

 本製品は、適用される各種のCEマーキング指令および整合規格に準拠しています。

- 電波に関する適合性 (EMC) 指令2014/30/EU。109ページの、[電波に関する適合性 \(EMC\) を参照してください。](#)
- 低電圧 (LVD) 指令2014/35/EU。を参照してください。
- 危険物質に関する制限 (RoHS) 指令2011/65/EU。109ページの、[廃棄およびリサイクル](#)を参照してください。

適合宣言の原本のコピーは、Axis Communications ABから入手できます。110ページの、[コンタクト情報](#)を参照してください。

電波に関する適合性 (EMC)

本装置は、以下に関する適用規格を満たすように設計、試験されています。

- 指示に従って設置し、想定環境内で使用する場合の無線周波放射

- 指示に従って設置し、想定環境内で使用する場合の電気および電磁現象に対する耐性

米国

本装置は、シールドネットワークケーブル (STP) を使用した試験において、FCC基準パート15に基づき、クラスAデジタルデバイスの制限に準拠していることが認証済みです。これらの制限は、商業環境での稼働時に本装置を有害な干渉から適切に保護することを目的としています。本装置は、無線周波エネルギーを生成、使用、放射する可能性があり、使用説明書に準拠して設置および使用しない場合は、無線通信に有害な干渉をおよぼすおそれがあります。本装置が住居地域内で作動することによって有害な干渉が発生することがあります。その場合は、ユーザーの負担で干渉を修正する必要があります。本製品は、適切に接地したシールドネットワークケーブル (STP) を使用して接続してください。

カナダ

本装置は、CAN ICES-3 (クラスA) に準拠したデジタル装置です。本製品は、適切に接地したシールドネットワークケーブル (STP) を使用して接続してください。Cet appareil numérique est conforme à la norme NMB ICES-3 (classe A). Le produit doit être connecté à l'aide d'un câble réseau blindé (STP) qui est correctement mis à la terre.

欧州

本デジタル装置は、EN 55022のクラスA制限に準拠したRF放射の要件を満たしています。本製品は、適切に接地したシールドネットワークケーブル (STP) を使用して接続してください。注意！本装置はクラスA製品です。住宅地域で本製品を使用すると無線干渉が発生する可能性があります。その場合、ユーザーが適切な対策を講じなければならないことがあります。

本製品は、EN 55024事業所および商業環境に準拠した耐性の要件を満たしています。

オーストラリア/ニュージーランド

本デジタル装置は、AS/NZS CISPR 22のクラスA制限に準拠したRF放射の要件を満たしています。本製品は、適切に接地したシールドネットワークケーブル (STP) を使用して接続してください。注意！本装置はクラスA製品です。住宅地域で本製品を使用すると無線干渉が発生する可能性があります。その場合、ユーザーが適切な対策を講じなければならないことがあります。

日本

この装置は、クラスA情報技術装置です。この装置を家庭環境で使用すると電波妨害を引き起こすことがあります。この場合には使用者が適切な対策を講ずるよう要求されることがあります。本製品は、シールドネットワークケーブル (STP) を使用して接続してください。また適切に接地してください。

韓国

이 기기는 업무용 (A급) 전자파적합 기기로서 판매자 또는 사용자는 이 점을 주의하시기 바라며, 가정외의 지역에서 사용하는 것을 목적으로 합니다. 적절히 접지된 STP (shielded twisted pair) 케이블을 사용하여 제품을 연결하십시오.

廃棄およびリサイクル

本製品がその耐用年数に達した場合は、地域の法律と規制に従って廃棄してください。最寄りの指定収集場所に関する情報については、当該地域の廃棄物担当当局にお問い合わせください。本製品を不正に廃棄すると、地元当局による処罰の対象となることがあります。

欧州



この記号は、本製品を家庭または商業廃棄物と一緒に処分してはならないことを意味します。本製品は、欧州連合 (EU) 加盟国において廃電気電子機器指令 (WEEE指令) 2012/19/EUの対象となります。人の健康や環境に害を与える可能性を避けるため、本製品は、必ず、認可された環境的に安全なリサイクル処理で廃棄してください。最寄りの指定収集場所に関する情報については、当該地域の廃棄物担当当局にお問い合わせください。商用利用者は本製品の適切な廃棄方法について、製品のサプライヤーにお問い合わせください。

本製品は、電気電子機器における特定有害物質の使用規制 (RoHS) に関する指令2011/65/EUの要件に準拠しています。

中国



本製品は、立法機関制定法である電子情報製品汚染制御管理措置 (ACPEIP) の要件に準拠しています。

コンタクト情報

Axis Communications AB
Emdalavägen 14
223 69 Lund
Sweden

電話: +46 46 272 18 00

Fax: +46 46 13 61 30

www.axis.com

保証情報

Axisの製品保証と関連情報については、www.axis.com/warrantyをご覧ください

サポート

技術サポートが必要な場合は、Axisの販売代理店までお問い合わせください。ご質問にすぐにお答えできない場合は、お客様をお待たせしないように、お問い合わせ内容が販売店から適切な窓口へ送られます。インターネットに接続している場合は、次の作業を自身で行うことができます。

- ユーザードキュメントとソフトウェアアップデートをダウンロード
- FAQデータベースを使用して問題の解決方法を検索。製品、カテゴリ、またはフレーズで検索してください。
- お客様専用のサポートページにログインし、Axisサポートスタッフに問題を報告
- Axisのサポートスタッフとチャット
- Axisサポート (www.axis.com/techsup) にアクセス

さらに詳しく:

Axisラーニングセンター (www.axis.com/academy) にアクセスしてください。役に立つトレーニング、Webセミナー、チュートリアル、ガイドを用意しています。

安全情報

本製品を設置する前に、このインストールガイドをよくお読みください。インストールガイドは、後で参照できるように保管しておいてください。

危険レベル

▲危険

回避しない場合、死亡または重傷につながる危険な状態を示します。

▲警告

回避しない場合、死亡または重傷につながるおそれのある危険な状態を示します。

▲注意

回避しない場合、軽傷または中程度の怪我につながるおそれのある危険な状態を示します。

注記

回避しない場合、器物の破損につながるおそれのある状態を示します。

その他のメッセージレベル

重要

製品を正しく機能させるために不可欠な重要情報を示します。

注意

製品を最大限に活用するために役立つ有用な情報を示します。

安全手順

注記

- 本製品は、お使いになる地域の法律や規制に準拠して使用してください。
- 本製品は乾燥した換気のよい環境に保管してください。
- 本製品に衝撃または強い圧力を加えないでください。
- 本製品を不安定なポール、ブラケット、表面、または壁に設置しないでください。
- 本製品を設置する際には、適切な工具のみを使用してください。電動工具を使用して過剰な力をかけると、製品が損傷することがあります。
- 化学薬品、腐食剤、噴霧式クリーナーは使用しないでください。
- 清掃には、きれいな水に浸した清潔な布を使用してください。
- 製品の技術仕様に準拠したアクセサリのみを使用してください。これらのアクセサリは、Axisまたはサードパーティから入手できます。
- Axisが提供または推奨する交換部品のみを使用してください。
- 製品を自分で修理しないでください。修理については、Axisサポートまたは販売代理店にお問い合わせください。

注記

- 電源ケーブルを損傷から守り、プラグ取り付け具、エクステンションおよび出力に特に気を付けます。
- モーターを電力サージから守るためにサージ保護基をインストールします。
- 火災や感電を防ぐために、長すぎるインストールワイヤの使用は避けてください。

重要

- 未確認物体や腐食性液体はモーターの短絡につながりかねないため、モーターから遠ざけてください。
- 操作時にモーターを触らないでください。
- 可燃性または爆発オブジェクトを格納している危険なサイトでモーターをインストールまたは操作しないでください。

輸送

注記

- 本製品を運搬する際は、製品が損傷しないよう、元の梱包か同等の梱包を使用してください。

包装内容

- Y3040 PT 云台
- 安装套件
 - 4 个 M5x10 螺丝用于将摄像机护罩安装在适配器支架上
 - 4 个螺栓用于将 PT 云台安装在推荐的壁式支架上
 - 1 艾伦扳手
 - 适配器支架 A (预装) 和 B
- 印刷资料
 - 安装指南 (本文档)
 - 钻孔样板 (使用 YP3040 壁式支架)

推荐的附件

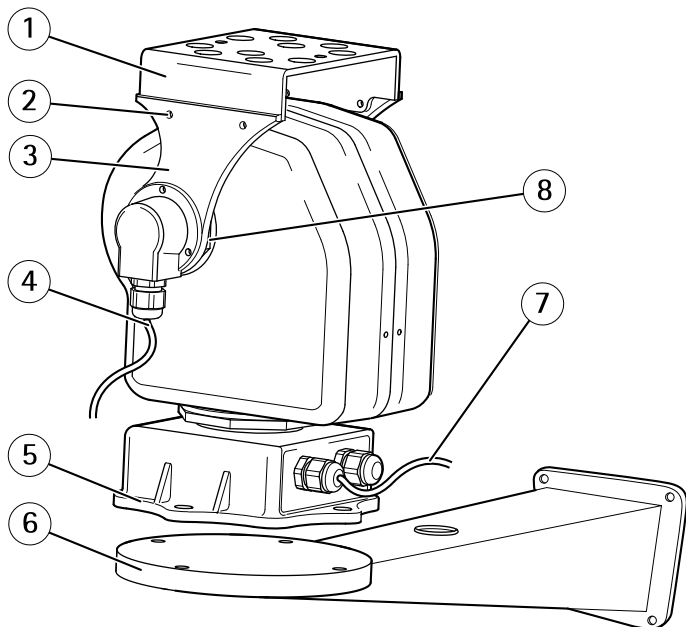
- 用于 YP3040 PT 云台的 YP3040 壁式支架
- AXIS PS24 主电源适配器、电源输入 100—230 V AC, 适合室内外使用

YP3040 Pan-Tilt Motor

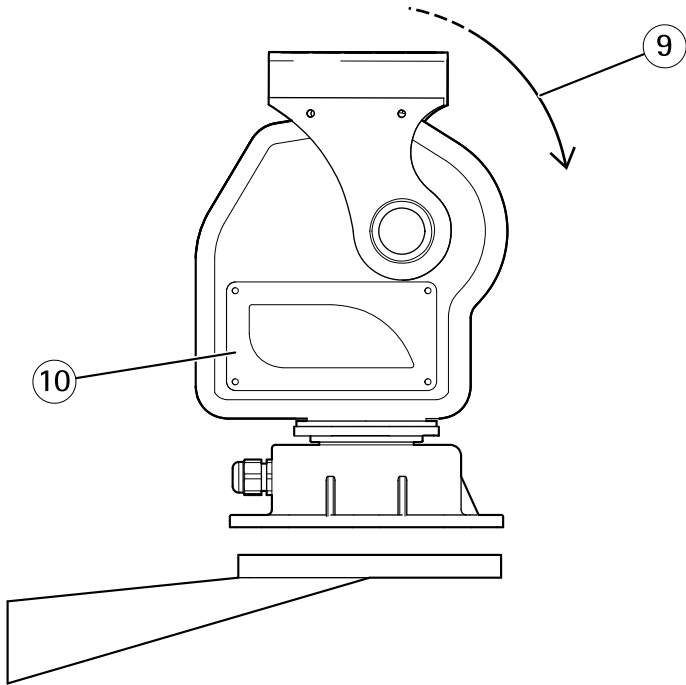
硬件概览

有关硬件组件规格的信息，请参见。

产品概述



- 1 适配器支架
- 2 安装螺丝 (4x)
- 3 支柱
- 4 PTZ 控制线缆 RS485
- 5 安装基座
- 6 壁式支架 (推荐的附件)
- 7 电源线 (24 V AC)
- 8 支柱轴

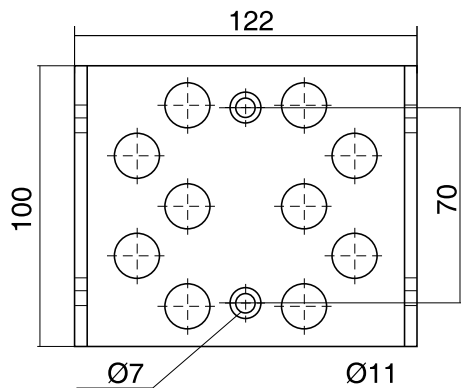


- 9 倾斜方向
- 10 侧板

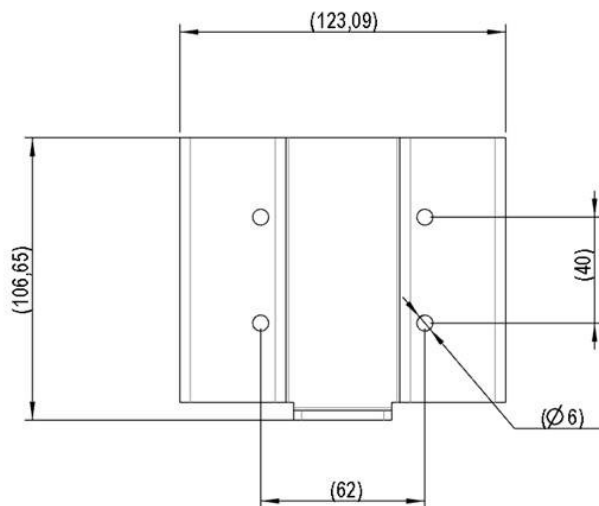
适配器支架尺寸

用于护罩/摄像机的安装孔。

YP3040 Pan-Tilt Motor



适配器支架 A



适配器支架 B

如何安装该产品

安装硬件

本安装指南说明了如何安装 YP3040 PT 云台。

1. 安装壁式支架
2. 安装 PT 云台
3. 将摄像机安装在护罩中
4. 将护罩安装在 PT 云台上
5. 连接线缆

安装壁式支架

1. 为安装壁式支架（推荐附件）对墙壁实施准备工作，使用随附的钻孔样板确定孔的位置。确定使用与材料相匹配的钻头、螺丝、螺丝插头。

重要

为避免碰撞，需确保 PT 云台和摄像机/摄像机护罩周围留有足够的空隙（从壁式支架顶部边缘到天花板的最小空隙为 60 厘米或 24 英寸）。

2. 拉动线缆穿过壁式支架，参见 *连接线缆* 在第 118 页。
3. 使用朝上的圆形平台将壁式支架安装至墙壁。

重要

确保线缆保持足够的松弛度，以便线缆沿单元进行盘绕和弯曲。

安装 PT 云台

1. 将 PT 云台安装在壁式支架上，有关倾斜校准和方向的信息请参见 第 114 页的说明。
2. 拧紧随附的螺栓，紧固 PT 云台。

将摄像机安装在护罩中

根据护罩随附安装指南中的说明在护罩中安装摄像机。确保 PTZ 控制线缆穿过护罩并连接摄像机，参见 *连接线缆* 在第 118 页。更多信息请参见护罩和摄像机随附的安装指南。

将护罩安装在 PT 云台上

1. 使用随附的艾伦扳手拧开支柱上的安装螺丝，拆下适配器支架。
2. 使用随附的两个埋头螺丝将护罩安装在适配器支架上。
3. 将带有护罩的适配器支架安装在支柱上。

连接线缆

1. 根据主电源适配器随附的安装指南，将电源连接至 PT 云台。推荐主电源适配器是 AXIS PS24 主电源适配器。有关该产品的更多信息，请访问安讯士网站：www.axis.com

	线缆颜色	连接至
电源线 (24 V AC)	蓝色	24 V AC 电源
	棕色	24 V AC 电源
	黄色/绿色	GND

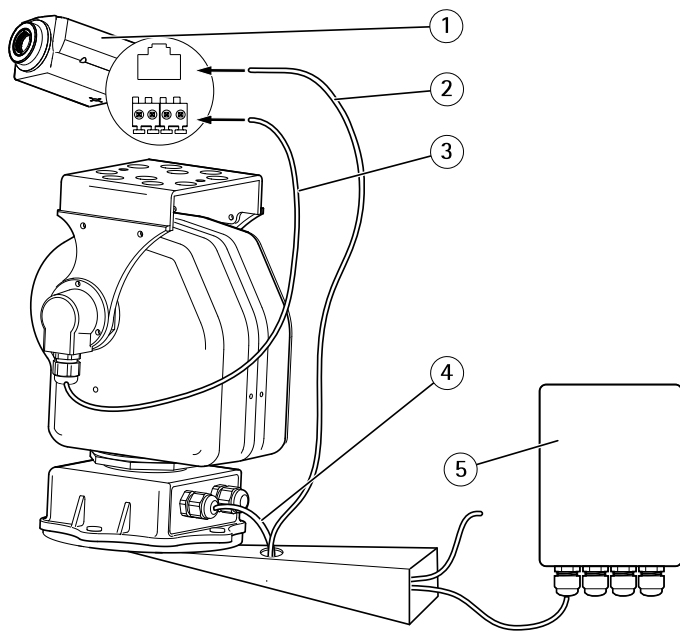
2. 将 PTZ 控制线缆连接至摄像机的 RS485 端口。不同的摄像机型号具有不同的端子接口，请务必遵照已安装摄像机的说明。安讯士网络摄像机随附有正确的接口。有关安讯士网络摄像机的更多信息，请访问安讯士网站：www.axis.com

	线缆颜色	连接至
PTZ 控制线缆 (RS485)	红色	摄像机 (A+)
	蓝色	摄像机 (B-)

3. 将摄像机连接至网络请参考摄像机随附的安装指南。

备注

用于网线的 RJ45 接口将不会通过护罩下侧上的线缆密封套。线缆必须进行剪切，穿过线缆密封套，然后再次卷曲。



- 1 网络摄像机
- 2 网线 (通过以太网 RJ-45 连接摄像机)
- 3 PTZ 控制线缆 (通过 RS485 连接摄像机)
- 4 电源线 (主电源适配器为 24 V AC)
- 5 主电源适配器

访问产品

当您在 YP3040 PT 云台上安装兼容的安讯士网络摄像机时，启用设置工具中的 PTZ 功能后可利用摄像机网页实时视图页面中的控制功能。按照以下说明启用摄像机的 PTZ 功能：

1. 访问摄像机网页中的 **设置 > 系统选项 > 端口与设备 > COM 端口**，并将用途设置为 PT。
2. 有关配置 PTZ 设置的说明，请参阅产品随附的用户手册。

YP3040 Pan-Tilt Motor

技术规格

单元	功能	描述	
YP3040	输入电压	24 V AC 50/60 Hz	
	功耗	30 VA	
	动作范围	水平转动	0° 至 355°
		垂直转动	10° 至 -80°
	动作速度	水平转动	7.5° /秒
		垂直转动	6° /秒
	协议 (默认)	Pelco-D	
	波特率 (默认)	2400 bps	
	地址 (默认)	1	
	工作温度	-20° C 至 65° C (-4° F 至 149° F)	
	负载	扭矩 (支柱轴, 参见第 6 页)	1.5 牛顿米 (1.1 英尺磅)
		负载类型	最大负载
		最大负载	8 千克 (17.6 磅)
	重量	4.2 千克 (9.3 磅)	
防护等级	IP66 (用于室内和室外)		
材质	铝合金		

故障排除

问题	可能的原因	补救措施
YP3040 不可转动	没有电力	确保电源已连接
	电源连接故障	确保电源线完好无损且连接正确
YP3040 在通电时会转动，但不会响应命令	网络摄像机存在 RS485 线缆连接故障	确保 RS485 线缆完好无损且连接正确
	网络摄像机中未启用 PTZ 功能	确保设置工具中启用了 PTZ 功能，参见 访问产品

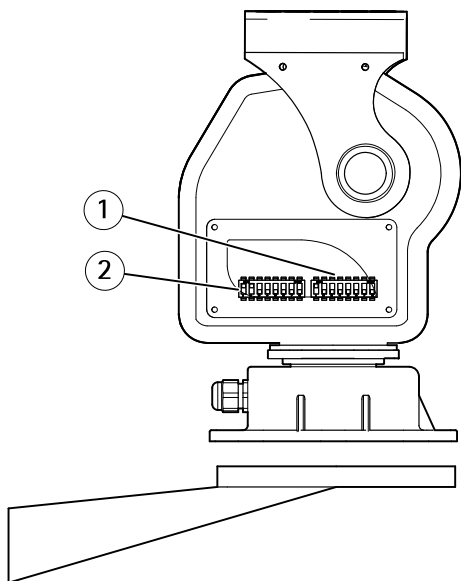
关于拨码开关设置

如果摄像机使用了与云台不同的协议和比特率，云台和摄像机之间的传输将无法正常运行。如果摄像机具有与 Pelco-D 不同的协议和 2400 bps 的比特率，拨码开关必须更换，参见 [更改拨码开关设置](#) 在第123页。

备注

YP3040 PT 云台的默认出厂设置为 Pelco-D 协议和 2400 bps 的波特率。这意味着将该云台与具有 Pelco-D 协议的安讯士网络摄像机一起使用时，拨码开关设置无需更改。

YP3040 PT 云台具有两组数字拨码开关，每组为 8 个。



- 1 选择地址
- 2 选择功能

左侧的 8 个开关用于选择功能，如协议、比特率和终端电阻。右侧的 8 个开关用于通过多通道视频服务器连接一个系列的多个单元时选择多个唯一的地址。开关组合方式有 255 种。

备注

在一般的安装情况下，只需一个默认的地址。

更改拨码开关设置

1. 松开 4 个侧板安装螺丝，并移除侧板。
2. 设置 8 个开关用于选择功能。开关 1、2、3 和 4 用于选择 PTZ 控制协议。开关 7 始终为关闭状态。开关 8 用于连接 120 Ω 的终端电阻，需要时可开启。

选择功能		1	2	3	4	5	6	7	8
协议	Pelco-D (默认)	打开	打开	关闭	关闭				
	Pelco-P	关闭	打开	关闭	关闭				
	AD/AB	关闭	关闭	打开	关闭				
波特率	2400 bps					关闭	关闭		
	4800 bps					打开	关闭		
	9600 bps					关闭	打开		
	19200 bps					打开	打开		
终端电阻	关闭 (默认)								关闭
	120 Ω								打开
								关闭	

3. 设置 8 个开关用于选择地址。

选择功能		1	2	3	4	5	6	7	8
1 (默认)		打开	关闭	关闭	关闭	关闭	关闭	关闭	关闭
2		关闭	打开	关闭	关闭	关闭	关闭	关闭	关闭

YP3040 Pan-Tilt Motor

选择功能	1	2	3	4	5	6	7	8
3	打开	打开	关闭	关闭	关闭	关闭	关闭	关闭
4	关闭	关闭	打开	关闭	关闭	关闭	关闭	关闭
5	打开	关闭	打开	关闭	关闭	关闭	关闭	关闭
...							
254	关闭	打开	打开	打开	打开	打开	打开	打开
255	打开	打开	打开	打开	打开	打开	打开	打开

4. 更换侧板并拧紧螺丝。

更多信息

- 有关本文档的最新版本，请访问 www.axis.com
- 检查是否有可供您产品使用的更新固件请访问 www.axis.com/support
- 有关有用的在线培训和网络研讨会的信息请访问 www.axis.com/academy

可选附件

如欲了解该产品的所有可用附件，请访问 www.axis.com

法律考虑事项

视频和音频监控可能会受法律管制，各个国家/地区的法律会有所不同。如将本产品用于监控目的，需要先检查是否符合你所在区域内的法律规定。

责任

本文档在制作时已力求审慎。如发现任何不准确的内容或遗漏，请及时告知您当地的安讯士办事处。Axis Communications AB 不承诺对任何技术或印刷错误承担责任，并保留对产品及其手册进行变更的权利，恕不另行通知。Axis Communications AB 不对本文件中包含的材料做出任何形式的担保，包括但不限于为特定目的而对适销性和适用性做出的暗示担保。Axis Communications AB 对于与该材料的提供、执行或使用相关的偶然或间接损坏不承担任何责任，也不负责。该产品仅可按其使用意图使用。

知识产权

Axis AB 持有本文件所述产品中包含的技术的知识产权。特别是(但不仅限于)这些知识产权可能包含 www.axis.com/patent.htm 中所列的一项或多项专利，以及一项或多项美国及其他国家/地区的其它专利或待定的专利申请。

设备改造

必须严格按照用户文档中给出的说明安装和使用本设备。本设备不含用户可维修的部件。未经授权的设备更改或改造将使所有适用的法律认证和认可无效。

商标声明

AXIS COMMUNICATIONS、AXIS、ETRAX、ARTPEC 和 VAPIX 是 Axis AB 在全球各个国家的商标和注册商标。所有其他公司名称和产品是其各自公司的商标或注册商标。

法规信息

欧洲

 本产品符合适用的 CE 标记指令和协调标准：

- 电子兼容性 (EMC) 指令 2014/30/EU。参见 [电磁兼容性 \(EMC\) 在第 126 页](#)。
- 低压 (LVD) 指令 2014/35/EU。参见 [在第 126 页](#)。
- 有害物质限用 (RoHS) 指令 2011/65/EU。参见 [处置和回收 在第 126 页](#)。

可通过 Axis Communications AB 获得一份一致性声明原件。参见 [联系信息 在第 126 页](#)。

电磁兼容性 (EMC)

该设备经过专门设计和测试，符合以下适用标准：

- 在根据说明安装并用于设计环境中时符合射频辐射标准。
- 在根据说明安装并用于设计环境中时符合抗电气和电磁现象标准。

美国

本设备已使用屏蔽线缆 (STP) 进行了测试，证明其符合 FCC 规定第 15 条针对 A 类数字设备的限制。这些限制旨在针对该设备在商业环境下运行时的有害干扰提供合理防护。该设备可以生成、利用并发射射频能量，如果不按有关说明手册来进行安装和使用该设备，则可能会对无线电通信造成有害干扰。在住宅区操作此设备可能会造成有害干扰，在此情形下，用户需自行付费采取必要措施纠正干扰。本产品必须连接一个正确接地的屏蔽网线 (STP)。

加拿大

本数字设备符合 CAN ICES-3 (A 类) 要求。产品应当使用正确接地的屏蔽网线 (STP) 进行连接。Cet appareil num é rique est conforme à la norme NMB ICES-3 (classe A). Le produit doit être connecté à l'aide d'un câble réseau blindé (STP) qui est correctement mis à la terre.

欧洲

该数字设备符合 EN 55022 A 类限制的射频辐射要求。产品应当使用正确接地的屏蔽网线 (STP) 进行连接。注意！这是 A 类产品。在家庭环境中，该产品可能引起射频干扰，这种情况下用户可能需要采取适当的措施。

该产品符合 EN 55024 办公和商用环境抗干扰要求。

澳大利亚/新西兰

该数字设备符合 AS/NZS CISPR 22 A 类限制的射频辐射要求。产品应当使用正确接地的屏蔽网线 (STP) 进行连接。注意！这是 A 类产品。在家庭环境中，该产品可能引起射频干扰，这种情况下用户可能需要采取适当的措施。

Japan

この装置は、クラスA 情報技術装置です。この装置を家庭環境で使用すると電波妨害を引き起こすことがあります。この場合には使用者が適切な対策を講ずるよう要求されることがあります。本製品は、シールドネットワークケーブル (STP) を使用して接続してください。また適切に接地してください。

Korea

이 기기는 업무용 (A급) 전자파적합 기기로서 판매자 또는 사용자는 이 점을 주의하시기 바라며, 가정외의 지역에서 사용하는 것을 목적으로 합니다. 적절히 접지된 STP (shielded twisted pair) 케이블을 사용하여 제품을 연결하십시오.

处置和回收

产品达到使用寿命后，请根据当地法律和法规对其进行处置。有关离您最近的指定回收点的信息，请联系负责垃圾处理的当地机构。根据当地法律，处置废物不当可能会受到处罚。


欧洲



此符号表示该产品不得与生活垃圾或商业垃圾一起处理。针对废弃电器电子设备 (WEEE) 的 2012/19/EU 指令适用于欧盟成员国。为防止对人类健康和环境造成的潜在伤害，该产品必须在经过认可且对环境安全的再循环过程中进行处理。有关离您最近的指定回收点的信息，请联系负责垃圾处理的当地机构。企业应与产品供应商联系，以获得有关如何正确处理该产品的信息。

本产品符合 2011/65/EU 指令有关限制在电子电器设备中使用某些有害成分 (RoHS) 的要求。

中国

 本产品符合电子信息产品污染控制管理办法 (ACPEIP) 的要求。

联系信息

Axis Communications AB
Erdalavägen 14
223 69 Lund
Sweden

电话: +46 46 272 18 00

传真: +46 46 13 61 30

www.axis.com

保修信息

有关安讯士产品保修的信息及与之相关的信息，请访问 www.axis.com/warranty/

支持

如果您需要任何技术帮助，请与您的安讯士经销商联系。如果不能立即回答您的问题，经销商将会通

过适当的渠道上报您的疑问，以获得快速响应。如果连接到互联网，您可以：

- 下载用户文档和软件更新
- 在常见问题数据库中查找已解决问题的答复。按产品、类别或词组搜索
- 登录到您的个人支持页面，将问题报告给安讯士支持人员
- 与安讯士支持人员交流
- 访问安讯士支持网站 www.axis.com/techsup/

了解更多信息！

访问安讯士学习中心 www.axis.com/academy/，获取培训、在线研讨会、教程及指南。

安全信息

安装该产品前请仔细阅读该安装指南。请保管好安装指南以供以后查阅。

危险等级

▲危险

表示有危险的情形，如果不能避免，将导致死亡或严重的个人伤害。

▲警告

表示有危险的情形，如果不能避免，将导致死亡或严重的个人伤害。

▲小心

表示有危险的情形，如果不能避免，将导致轻微或中度的个人伤害。

注意

表示一种情形，如果不能避免，将导致对财产的损坏。

其它消息等级

重要

表示对于产品正常运行必不可少的重要信息。

备注

表示有助于充分利用产品的有用信息。

安全说明

注意

- 使用该安讯士产品必须符合当地法律法规要求。
- 安讯士产品应存放在干燥通风的环境中。
- 应避免对安讯士产品造成冲撞或重压。
- 不得将本产品安装于不稳固的立杆、支架、表面或墙面上。
- 安装安讯士产品时，请使用适用工具。使用电动工具时过度用力可能对产品造成损坏。
- 请勿使用化学制剂、腐蚀性制剂或气雾性清洁剂。
- 使用浸有净水的干净抹布进行清洁。
- 所用附件必须符合该产品的技术规格要求。可由安讯士或第三方供应商提供。
- 必须使用安讯士提供或推荐的零件。
- 请勿试图自己修理该产品。维修事务请联系安讯士支持人员或您的安讯士经销商。

注意

- 保护电源线免受任何损坏，特别注意插头配件、扩展和输出。
- 安装浪涌保护器保护云台免受电涌的影响。
- 避免使用过长的安装线缆，以防止火灾或电击。

重要

- 确保云台避开不明物体或腐蚀性液体，以帮助避免云台发生短路情况。
- 切勿触摸运行中的云台。
- 切勿在存有易燃或易爆物体的危险场所安装或运行云台。

运输

注意

- 安讯士产品运输途中，应使用其原包装或等效包装，以防对产品造成损坏。

