

AXIS Q7424-R Mk II Video Encoder

Installation Guide

English

EN

France: Français

FR

Deutschland: Deutsch

DE

Italia: Italiano

IT

España: Español

ES

日本: 日本語

JA

中文: 简体中文

ZH

Legal Considerations

Video and audio surveillance can be regulated by laws that vary from country to country. Check the laws in your local region before using this product for surveillance purposes.

This product includes one (1) H.264 decoder license and one (1) AAC decoder license. To purchase further licenses, contact your reseller.

Liability

Every care has been taken in the preparation of this document. Please inform your local Axis office of any inaccuracies or omissions. Axis Communications AB cannot be held responsible for any technical or typographical errors and reserves the right to make changes to the product and manuals without prior notice. Axis Communications AB makes no warranty of any kind with regard to the material contained within this document, including, but not limited to, the implied warranties of merchantability and fitness for a particular purpose. Axis Communications AB shall not be liable nor responsible for incidental or consequential damages in connection with the furnishing, performance or use of this material. This product is only to be used for its intended purpose.

Intellectual Property Rights

Axis AB has intellectual property rights relating to technology embodied in the product described in this document. In particular, and without limitation, these intellectual property rights may include one or more of the patents listed at www.axis.com/patent.htm and one or more additional patents or pending patent applications in the US and other countries.

This product contains licensed third-party software. See the menu item "About" in the product's user interface for more information.

This product contains source code copyright Apple Computer, Inc., under the terms of Apple Public Source License 2.0 (see www.opensource.apple.com/apsl). The source code is available from <https://developer.apple.com/bonjour/>

Equipment Modifications

This equipment must be installed and used in strict accordance with the instructions given in the user documentation. This equipment contains no user-serviceable components. Unauthorized equipment changes or modifications will invalidate all applicable regulatory certifications and approvals.

Trademark Acknowledgments

AXIS COMMUNICATIONS, AXIS, ETRAX, ARTPEC and VAPIX are registered trademarks or trademark applications of Axis AB in various jurisdictions. All other company names and products are trademarks or registered trademarks of their respective companies.


Apple, Boa, Apache, Bonjour, Ethernet, Internet Explorer, Linux, Microsoft, Mozilla, Real, SMPTE, QuickTime, UNIX, Windows, Windows Vista and WWW are registered trademarks of the respective holders. Java and all Java-based trademarks and logos are trademarks or registered trademarks of Oracle and/or its affiliates. UPnP™ is a certification mark of the UPnP™ Implementers Corporation.

SD, SDHC and SDXC are trademarks or registered trademarks of SD-3C, LLC in the United States,

other countries or both. Also, miniSD, microSD, miniSDHC, microSDHC, microSDXC are all trademarks or registered trademarks of SD-3C, LLC in the United States, other countries or both.

Regulatory Information

Europe

 This product complies with the applicable CE marking directives and harmonized standards:

- Electromagnetic Compatibility (EMC) Directive 2014/30/EU. See *Electromagnetic Compatibility (EMC) on page 4*.
- Low Voltage (LVD) Directive 2014/35/EU. See *Safety on page 5*.
- Restrictions of Hazardous Substances (RoHS) Directive 2011/65/EU. See *Disposal and Recycling on page 5*.

A copy of the original declaration of conformity may be obtained from Axis Communications AB. See *Contact Information on page 5*.

Electromagnetic Compatibility (EMC)

This equipment has been designed and tested to fulfill applicable standards for:

- Radio frequency emission when installed according to the instructions and used in its intended environment.
- Immunity to electrical and electromagnetic phenomena when installed according to the instructions and used in its intended environment.

USA

This equipment has been tested using a shielded network cable (STP) and found to comply with the limits for a Class B digital device, pursuant to part 15 of the FCC Rules. These limits are designed to provide reasonable protection against harmful interference in a residential installation. This equipment generates, uses and can radiate radio frequency energy and, if not installed and used in accordance with the instructions, may cause harmful interference to radio communications. However, there is no guarantee that interference will not occur in a particular installation. If this equipment does cause harmful interference to radio or television reception, which can be determined by turning the equipment off and on, the user is encouraged to try to correct the interference by one or more of the following measures:

- Reorient or relocate the receiving antenna.
- Increase the separation between the equipment and receiver.
- Connect the equipment into an outlet on a circuit different from that to which the receiver is connected.
- Consult the dealer or an experienced radio/TV technician for help.

The product shall be connected using a shielded network cable (STP) that is properly grounded.

Canada

This digital apparatus complies with CAN ICES-3 (Class B). The product shall be connected using a shielded network cable (STP) that is properly grounded. Cet appareil numérique est conforme à la norme CAN NMB-3 (classe B). Le produit doit être connecté à l'aide d'un câble réseau blindé (STP) qui est correctement mis à la terre.

Europe

This digital equipment fulfills the requirements for RF emission according to the Class B limit of EN 55022. The product shall be connected using a shielded network cable (STP) that is properly grounded.

This product fulfills the requirements for emission and immunity according to EN 50121-4 and IEC 62236-4 railway applications.

This product fulfills the requirements for immunity according to EN 61000-6-1 residential, commercial and light-industrial environments.

This product fulfills the requirements for immunity according to EN 61000-6-2 industrial environments.

This product fulfills the requirements for immunity according to EN 55024 office and commercial environments.

Australia/New Zealand

This digital equipment fulfills the requirements for RF emission according to the Class B limit of AS/NZS CISPR 22. The product shall be connected using a shielded network cable (STP) that is properly grounded.

Japan

この装置は、クラスB情報技術装置です。この装置は、家庭環境で使用することを目的としていますが、この装置がラジオやテレビジョン受信機に近接して使用されると、受信障害を引き起こすことがあります。取扱説明書に従って正しい取り扱いをして下さい。本製品は、シールドドネットワークケーブル(STP)を使用して接続してください。また適切に接地してください。

Korea

이 기기는 가정용(B급) 전자파적합기기로서 주로 가정에서 사용하는 것을 목적으로 하며, 모든 지역에서 사용할 수 있습니다. 적절히 접지된 STP (shielded twisted pair) 케이블을 사용하여 제품을 연결 하십시오.

Safety

This product complies with IEC/EN/UL 60950-1, Safety of Information Technology Equipment.

If its connecting cables are routed outdoors, the product shall be grounded either through a shielded network cable (STP) or other appropriate method.

The power supply used with this product shall fulfill the requirements for Safety Extra Low Voltage (SELV) and Limited Power Source (LPS) according to IEC/EN/UL 60950-1.

Disposal and Recycling

When this product has reached the end of its useful life, dispose of it according to local laws and regulations. For information about your nearest designated collection point, contact your local authority responsible for waste disposal. In accordance with local legislation, penalties may be applicable for incorrect disposal of this waste.

Europe



■ This symbol means that the product shall not be disposed of together with household or commercial waste. Directive 2012/19/EU on waste electrical and electronic equipment (WEEE) is applicable in the European Union member states. To prevent

potential harm to human health and the environment, the product must be disposed of in an approved and environmentally safe recycling process. For information about your nearest designated collection point, contact your local authority responsible for waste disposal. Businesses should contact the product supplier for information about how to dispose of this product correctly.

This product complies with the requirements of Directive 2011/65/EU on the restriction of the use of certain hazardous substances in electrical and electronic equipment (RoHS).

China



This product complies with the requirements of the legislative act Administration on the Control of Pollution Caused by Electronic Information Products (ACPEIP).

Contact Information

Axis Communications AB
Emdalavägen 14
223 69 Lund
Sweden

Tel: +46 46 272 18 00

Fax: +46 46 13 61 30

www.axis.com

Warranty Information

For information about Axis' product warranty and thereto related information, see www.axis.com/warranty/

Support

Should you require any technical assistance, please contact your Axis reseller. If your questions cannot be answered immediately, your reseller will forward your queries through the appropriate channels to ensure a rapid response. If you are connected to the Internet, you can:

- download user documentation and software updates
- find answers to resolved problems in the FAQ database. Search by product, category, or phrase
- report problems to Axis support staff by logging in to your private support area
- chat with Axis support staff
- visit Axis Support at www.axis.com/techsup/

Learn More!

Visit Axis learning center www.axis.com/academy/ for useful trainings, webinars, tutorials and guides.

AXIS Q7424-R Mk II Video Encoder

Package Contents	11
Hardware Overview	12
How to install the product	13
Mount the video encoder	13
Connect the cables and insert the SD memory card	13
Access the Product	14
Reset to Factory Default Settings	15
Further information	16
Optional Accessories	16
Technical Specifications	17
LED Indicators	17
SD card slot	18
Buttons	18
Connectors	18
Power consumption	22
Safety Information	23
Hazard Levels	23
Other Message Levels	23
Safety Instructions	24
Transportation	24
Battery	24
Contenu de l'emballage	27
Aperçu du matériel	28
Comment installer le produit	29
Montage de l'encodeur vidéo	29
Branchez les câbles et insérez la carte mémoire SD	29
Utilisez le produit	30
Réinitialisation aux paramètres d'usine par défaut	31
Informations complémentaires	32
Accessoires en option	32
Caractéristiques techniques	33
Voyants	33
Emplacement pour carte SD	34
Boutons	34
Connecteurs	34
Consommation d'énergie	38
Informations sur la sécurité	39
Niveaux de risques	39
Autres niveaux de message	39
Consignes de sécurité	40
Transport	40
Batterie	40
Lieferumfang	43
Übersicht über die Hardware	44
Installieren des Produkts	45
Montage des Video-Encoders	45
Anschließen der Kabel und Einschieben der SD-Speicherkarte	45

Zugriff auf das Produkt	46
Zurücksetzen auf Werkseinstellungen	47
Weitere Informationen	48
Optionales Zubehör	48
Technische Daten	49
LEDs	49
SD-Karteneinschub	50
Tasten	50
Anschlüsse	50
Leistungsaufnahme	54
Sicherheitsinformation	55
Gefährdungsstufen	55
Weitere Nachrichtenstufen	55
Sicherheitsanweisungen	56
Transport	56
Batterie	56
Contenuto della confezione	59
Panoramica dell'hardware	60
Come installare il dispositivo	61
Montaggio del codificatore video	61
Collegare i cavi e inserire la scheda di memoria SD	61
Accedere al dispositivo	62
Ripristino dei valori predefiniti di fabbrica	63
Ulteriori informazioni	64
Accessori opzionali	64
Specifiche tecniche	65
Indicatori LED	65
Slot per scheda SD	66
Pulsanti	66
Connettori	66
Consumo elettrico	70
Informazioni di sicurezza	71
Livelli di pericolo	71
Altri livelli di messaggio	71
Informazioni di sicurezza	72
Trasporto	72
Batteria	72
Contenido del paquete	75
Información general del hardware	76
Cómo instalar el producto	77
Montaje del codificador de vídeo	77
Conecte los cables e inserte la tarjeta de memoria SD	77
Acceso al producto	78
Restablecimiento a la configuración predeterminada de fábrica	79
Más información	80
Accesorios opcionales	80
Especificaciones técnicas	81

AXIS Q7424-R Mk II Video Encoder

Indicadores LED	81
Ranura para tarjetas SD	82
Botones	82
Conectores	82
Consumo de energía	86
Información de seguridad	87
Niveles de peligro	87
Otros niveles de mensaje	87
Instrucciones de seguridad	88
Transporte	88
Batería	88
パッケージの内容	91
ハードウェアの概要	92
製品の取り付け方法	93
ビデオエンコーダの取り付け	93
ケーブルを接続し、SDメモリーカードを装着します。	93
製品へのアクセス	94
工場出荷時の設定にリセットする	95
関連情報	96
オプションアクセサリ	96
技術仕様	97
LEDインジケーター	97
SDカードスロット	98
ボタン	98
コネクタ	99
電力消費量	102
安全情報	103
危険レベル	103
その他のメッセージレベル	103
安全手順	104
輸送	104
バッテリー	104
包装内容	107
硬件概覧	108
如何安装该产品	109
安装视频编码器	109
连接线缆并插入SD内存卡	109
访问产品	109
重置为出厂默认设置	111
更多信息	112
可选附件	112
技术规格	113
LED 指示灯	113
SD 卡插槽	114
按钮	114
接口	114
功耗	118

安全信息	119
危险等级	119
其它消息等级	119
安全说明	120
运输	120
电池	120

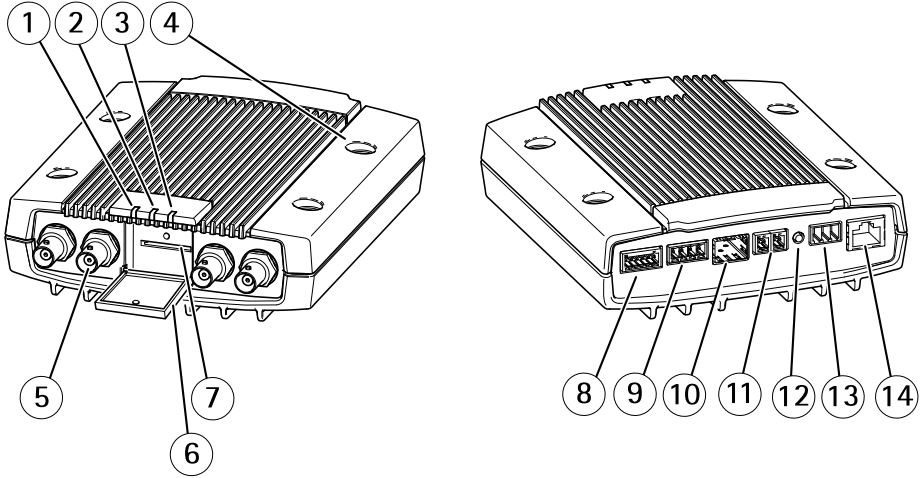
Package Contents

- AXIS Q7424-R Mk II Video Encoder
- Mounting kit
 - 4 surface protection pads
 - Terminal block connectors (I/O: 6-pin connector, RS485/RS422: 2 x 2-pin connector, Power: 3-pin connector, Audio: 4-pin connector)
 - Allen key (hex key) for tamper-proof SD-lid screw
- Printed materials:
 - Installation Guide (this document)

AXIS Q7424-R Mk II Video Encoder

Hardware Overview

For specifications of the hardware components, see *Technical Specifications* on page 17.



- 1 LED indicator power
- 2 LED indicator status
- 3 LED indicator network
- 4 Mounting holes
- 5 Video input connectors
- 6 SD memory card lid
- 7 SD memory card slot
- 8 I/O connector
- 9 Audio connectors
- 10 SFP connector
- 11 RS485/RS422 connector
- 12 Control button
- 13 Power connector
- 14 Network connector (PoE)

How to install the product

Mount the video encoder

The AXIS Q7424-R Mk II can simply be placed on a flat surface or mounted. See *Hardware Overview on page 12*.

1. Punch out the protective pads and stick them under the video encoder to prevent scratches on the surface where the video encoder is placed.
2. Place the video encoder against the wall, and mark the four mounting holes.
3. Drill the four mounting holes.
4. Attach the encoder to the wall using screws appropriate to the wall material.

Connect the cables and insert the SD memory card

1. Connect the encoder to the network using a shielded network cable or an SFP module. If using PoE see note below.
2. Optionally connect external input/output devices, e.g. alarm devices. For information on the terminal connector pins, see *Connectors on page 18*.
3. Optionally connect an active speaker and/or external microphone.
4. Connect the cameras to the video inputs.
5. If powering the unit with AC or DC input, connect an external power supply. See note below.
6. Check that the indicator LEDs indicate the correct conditions. For details, see *LED Indicators on page 17*.
7. Insert a SD memory card if required and secure the SD memory card lid with the allen key provided.

Note

- The unit can be powered using either the AC power, the DC power input, or PoE.
- If powering the unit using DC or AC power, connect the power supply to the power connector at the rear of the unit.
- If powering the unit using PoE, connect a PoE network cable.
- To fulfill safety requirements, do not use AC power for outdoor installation.
- If using SFP, insert a 100Mbps/1Gbps SFP SerDes module to the SFP slot.
- The unit can only use one Network interface, either via SFP module or via RJ45 connector. SFP module has higher priority than RJ45 connector.

Access the Product

AXIS IP Utility and AXIS Camera Management are recommended methods for finding Axis products on the network and assigning them IP addresses in Windows®. Both applications are free and can be downloaded from www.axis.com/techsup

The product can be used with most operating systems and browsers. We recommend the following browsers:

- Internet Explorer® with Windows®
- Safari® with OS X®
- Chrome™ or Firefox® with other operating systems.

For more information about using the product, see the User Manual available at www.axis.com

Once installed, you can access AXIS Q7424-R Mk II on your local network (LAN). To access the video encoder from the Internet, network routers must be configured to allow incoming traffic, which is usually done on a specific port.

- HTTP port (default port 80) for viewing and configuration
- RTSP port (default port 554) for viewing H.264 video streams

For further instructions, see the documentation provided with your router.

Reset to Factory Default Settings

Important

Reset to factory default should be used with caution. A reset to factory default will reset all settings, including the IP address, to the factory default values.

Note

The installation and management software tools are available from the support pages on www.axis.com/techsup

To reset the product to the factory default settings:

1. Disconnect power from the product.
2. Press and hold the control button and reconnect power. See *Hardware Overview on page 12*.
3. Keep the control button pressed for 15–30 seconds until the status LED indicator flashes amber.
4. Release the control button. The process is complete when the status LED indicator turns green. The product has been reset to the factory default settings. If no DHCP server is available on the network, the default IP address is 192.168.0.90
5. Using the installation and management software tools, assign an IP address, set the password, and access the video stream.

It is also possible to reset parameters to factory default via the web interface. Go to **Setup > System Options > Maintenance** and click **Default**.

AXIS Q7424-R Mk II Video Encoder

Further information

- For the latest version of this document, see www.axis.com
- The user manual is available at www.axis.com
- To check if there is updated firmware available for your product, see www.axis.com/support
- For useful online trainings and webinars, see www.axis.com/academy

Optional Accessories

For a complete list of available accessories for this product, see www.axis.com

Technical Specifications

You can find the latest version of the technical specifications at www.axis.com

LED Indicators

Note

- The Status LED can be configured to be unlit during normal operation. To configure, go to **Setup > System Options > Ports & Devices > LED**. See the online help for more information.
- The Status LED can be configured to flash while an event is active.
- The Status LED can be configured to flash for identifying the unit. Go to **Setup > System Options > Maintenance** .

Status LED	Indication
Green	Steady green for normal operation.
Amber	Steady during startup, during reset to factory default or when restoring settings.
Red	Firmware upgrade failure.

Note

The Network LED can be disabled so that it does not flash when there is network traffic. To configure, go to **Setup > System Options > Ports & Devices > LED**. See the online help for more information.

Network LED	Indication
Green	Steady for connection to a 1 Gbit/s network. Flashes for network activity.
Amber	Steady for connection to a 10/100 Mbit/s network. Flashes for network activity.
Unlit	No network connection.

Note

The Power LED can be configured to be unlit during normal operation. To configure, go to **Setup > System Options > Ports & Devices > LED**. See the online help for more information.

AXIS Q7424-R Mk II Video Encoder

Power LED	Indication
Green	Normal operation.
Amber	Flashes green/amber during firmware upgrade.

SD card slot

NOTICE

- Risk of damage to SD card. Do not use sharp tools, metal objects or excessive force when inserting or removing the SD card. Use your fingers to insert and remove the card.
- Risk of data loss and corrupted recordings. Do not remove the SD card while the product is running. Disconnect power or unmount the SD card from the Axis product's webpages before removal.

This product supports SD/SDHC/SDXC cards (not included).

For SD card recommendations, see www.axis.com

Buttons

Control Button

For location of the control button, see *Hardware Overview on page 12*.

The control button is used for:

- Resetting the product to factory default settings. See *page 15*.
- Connecting to an AXIS Video Hosting System service or AXIS Internet Dynamic DNS Service. For more information about these services, see the User Manual.

Connectors

Network Connector

RJ45 Ethernet connector with Power over Ethernet (PoE).

The unit can only use one Network interface, either an SFP module or RJ45 connector. SFP module has higher priority than the RJ45 connector.

NOTICE

The product shall be connected using a shielded network cable (STP). All cables connecting the product to the network shall be intended for their specific use. Make sure that the network devices are installed in accordance with the manufacturer's instructions. For

information about regulatory requirements, see *Electromagnetic Compatibility (EMC) on page 4*.

BNC Connector

Each video input is terminated using a coax/BNC connector.

Connect a 75 Ohm coaxial video cable; the recommended maximum length is 250 m (800 ft).

Note

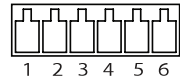
75 Ohm video termination can be enabled/disabled for the video input through the product's web page at **Video & Audio > Camera Settings > Video termination**. Video termination is enabled on factory default. If the product is connected in parallel with other equipment, for optimum video quality, it is recommended that video termination is enabled only for the last device in the video signal chain.

I/O Connector

Use with external devices in combination with, for example, tampering alarms, motion detection, event triggering, and alarm notifications. In addition to the 0 V DC reference point and power (DC output), the I/O connector provides the interface to:

- **Digital output** – For connecting external devices such as relays and LEDs. Connected devices can be activated by the VAPIX® Application Programming Interface, output buttons on the Live View page or by an Action Rule. The output will show as active (shown under **System Options > Ports & Devices**) if the alarm device is activated.
- **Digital input** – An alarm input for connecting devices that can toggle between an open and closed circuit, for example: PIRs, door/window contacts, glass break detectors, etc. When a signal is received the state changes and the input becomes active (shown under **System Options > Ports & Devices**).

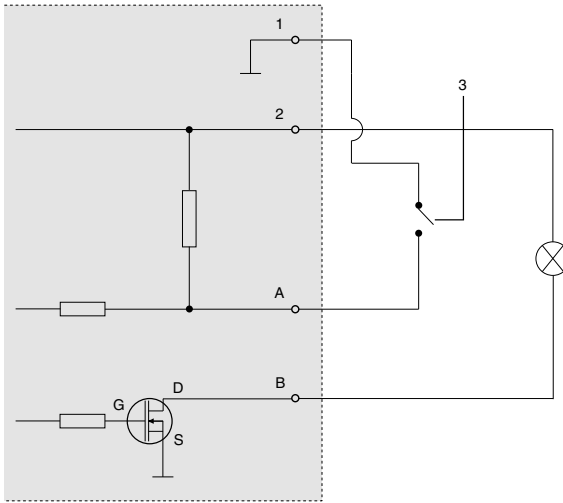
6-pin configurable terminal block



Function	Pin	Notes	Specifications
0 V DC (-)	1		0 V DC
DC output	2	Can be used to power auxiliary equipment. Note: This pin can only be used as power out.	12 V DC Max load = 125 mA

AXIS Q7424-R Mk II Video Encoder

Configurable (Input or Output)	3-6	Digital input – Connect to pin 1 to activate, or leave floating (unconnected) to deactivate.	0 to max 30 V DC
		Digital output – Connected to pin 1 when activated, floating (unconnected) when deactivated. If used with an inductive load, e.g. a relay, a diode must be connected in parallel with the load, for protection against voltage transients.	0 to max 30 V DC, open drain, 100 mA



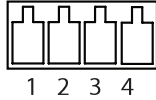
- 1 0 V DC (-)
- 2 DC output 12 V, max 125 mA
- 3 Example: push button
- A I/O configured as input
- B I/O configured as output

Audio Connector

4-pin terminal block for audio input and output.

For audio in, the left channel is used from a stereo signal.

4-pin terminal block for:



- Audio input
- Audio output

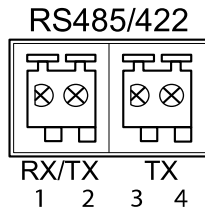
Function	Pin	Notes
Microphone/Line in	1	Microphone or line in (mono). 3 V microphone bias is available.
GND	2	Ground
Line out	3	Line level audio output (mono). Can be connected to a public address (PA) system or an active speaker with a built-in amplifier.
GND	4	Ground

RS485/RS422 Connector

Two terminal blocks for RS485/RS422 serial interface used to control auxiliary equipment such as pan-tilt devices.

Two 2-pin terminal blocks for RS485/RS422 serial interface. The serial port can be configured to support:

- Two-wire RS485 half duplex
- Four-wire RS485 full duplex
- Two-wire RS422 simplex
- Four-wire RS422 full duplex point to point communication



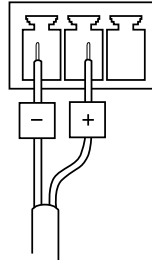
Function	Pin	Notes
RS485/RS422 RX/TX A	1	(RX) For full duplex RS485/RS422 (RX/TX) For half duplex RS485
RS485/RS422 RX/TX B	2	
RS485/RS422 TX A	3	(TX) For full duplex RS485/RS422
RS485/RS422 TX B	4	

AXIS Q7424-R Mk II Video Encoder

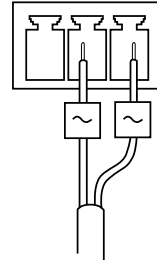
Power connector

3-pin terminal block for power input. Use a Safety Extra Low Voltage (SELV) compliant limited power source (LPS) with either a rated output power limited to ≤ 100 W or a rated output current limited to ≤ 5 A.

DC power input



AC power input



Power consumption

Power over Ethernet (PoE) Class 3	max 12.95 W
AC power input 20-24 V AC	max 14 VA
DC power input 8-28 V DC	max 10 W

Safety Information

Read through this Installation Guide carefully before installing the product. Keep the Installation Guide for future reference.

Hazard Levels

▲DANGER

Indicates a hazardous situation which, if not avoided, will result in death or serious injury.

▲WARNING

Indicates a hazardous situation which, if not avoided, could result in death or serious injury.

▲CAUTION

Indicates a hazardous situation which, if not avoided, could result in minor or moderate injury.

NOTICE

Indicates a situation which, if not avoided, could result in damage to property.

Other Message Levels

Important

Indicates significant information which is essential for the product to function correctly.

Note

Indicates useful information which helps in getting the most out of the product.

Safety Instructions

NOTICE

- The Axis product shall be used in compliance with local laws and regulations.
- To use the Axis product outdoors, or in similar environments, it shall be installed in an approved outdoor housing.
- Store the Axis product in a dry and ventilated environment.
- Avoid exposing the Axis product to shocks or heavy pressure.
- Do not install the product on unstable poles, brackets, surfaces or walls.
- Use only applicable tools when installing the Axis product. Using excessive force with power tools could cause damage to the product.
- Do not use chemicals, caustic agents, or aerosol cleaners.
- Use a clean cloth dampened with pure water for cleaning.
- Use only accessories that comply with the technical specification of the product. These can be provided by Axis or a third party.
- Use only spare parts provided by or recommended by Axis.
- Do not attempt to repair the product yourself. Contact Axis support or your Axis reseller for service matters.
- The power supply shall be plugged in to a socket outlet installed near the product and shall be easily accessible.
- Use a limited power source (LPS) with either a rated output power limited to ≤ 100 W or a rated output current limited to ≤ 5 A.

Transportation

NOTICE

- When transporting the Axis product, use the original packaging or equivalent to prevent damage to the product.

Battery

The Axis product uses a 3.0 V BR2032 lithium battery as the power supply for its internal real-time clock (RTC). Under normal conditions this battery will last for a minimum of five years.

Low battery power affects the operation of the RTC, causing it to reset at every power-up. When the battery needs replacing, a log message will appear in the product's server report. For more information about the server report, see the product's setup pages or contact Axis support.

The battery should not be replaced unless required, but if the battery does need replacing, contact Axis support at www.axis.com/techsup for assistance.

Lithium coin cell 3.0 V batteries contain 1,2-dimethoxyethane; ethylene glycol dimethyl ether (EGDME), CAS no. 110-71-4.

▲WARNING

- Risk of explosion if the battery is incorrectly replaced.
- Replace only with an identical battery or a battery which is recommended by Axis.
- Dispose of used batteries according to local regulations or the battery manufacturer's instructions.

EN

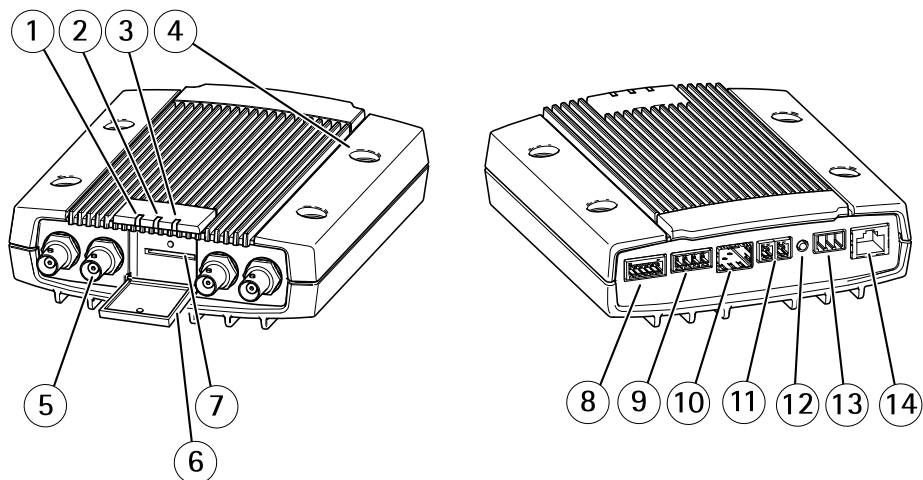
Contenu de l'emballage

- Encodeur vidéo AXIS Q7424-R Mk II
- Kit de montage
 - 4 patins de protection de surface
 - Bornes de connexion (E/S : connecteur à 6 broches, RS485/RS422 : connecteur à 2 x 2 broches, alimentation : connecteur à 3 broches, audio : connecteur à 4 broches)
 - Clé Allen (clé hexagonale) pour vis inviolable du couvercle de la carte mémoire SD
- Documents imprimés :
 - Guide d'installation (ce document)

AXIS Q7424-R Mk II Video Encoder

Aperçu du matériel

Pour connaître les caractéristiques des composants matériels, consultez *Caractéristiques techniques* page 33.



- 1 Voyant DEL alimentation
- 2 Voyant DEL état
- 3 Voyant DEL réseau
- 4 Trous de fixation
- 5 Connecteurs d'entrée vidéo
- 6 Couvercle de carte mémoire SD
- 7 Logement pour carte mémoire SD
- 8 Connecteur E/S
- 9 Connecteurs audio
- 10 Connecteur SFP
- 11 Connecteur RS485/RS422
- 12 Bouton de commande
- 13 Connecteur d'alimentation
- 14 Connecteur réseau (PoE)

Comment installer le produit

Montage de l'encodeur vidéo

L'AXIS Q7424-R Mk II peut être simplement installé sur une surface plane ou bien il peut être monté. Cf. *Aperçu du matériel page 28*.

1. Sortez les patins de protection de leur emballage et collez-les sur le dessous de l'encodeur vidéo pour éviter de rayer la surface sur laquelle l'encodeur vidéo est installé.
2. Placez l'encodeur vidéo contre le mur et marquez l'emplacement des quatre trous de fixation.
3. Percez les quatre trous de fixation.
4. Fixez l'encodeur au mur en utilisant des vis appropriées.

Branchez les câbles et insérez la carte mémoire SD

1. Branchez l'encodeur sur le réseau à l'aide d'un câble réseau blindé ou d'un module PDU. En cas d'utilisation de PoE, voir la remarque ci-dessous.
2. Si vous le souhaitez, connectez des périphériques d'entrée/sortie externes, tels que des systèmes d'alarme. Pour plus d'informations sur les broches du connecteur pour terminaux, reportez-vous à la section *Connecteurs page 34*.
3. Si vous le souhaitez, vous pouvez brancher un haut-parleur actif et/ou un microphone externe.
4. Branchez les caméras aux entrées vidéo.
5. Si l'appareil est alimenté en CA ou CC, branchez une alimentation externe. Voir la remarque ci-dessous.
6. Vérifiez que les voyants DEL indiquent le bon état de fonctionnement. Pour plus d'informations, reportez-vous à la section *Voyants page 33*.
7. Si nécessaire, insérez une carte mémoire SD, puis fixez son couvercle avec la clé Allen fournie.

Note

- L'appareil peut être alimenté par une alimentation en courant alternatif ou continu, ou par PoE.
- Si l'appareil est alimenté par une alimentation en CC ou CA, branchez l'alimentation au connecteur d'alimentation situé à l'arrière de l'appareil.
- Si l'appareil est alimenté par PoE, branchez un câble réseau PoE.
- Conformément aux normes de sécurité, vous ne devez pas utiliser d'alimentation en courant alternatif pour les installations extérieures.
- Si vous utilisez un module SerDes PDU, insérez un module SerDes PDU 100 Mbit/s/1 Gbit/s à l'emplacement SFP.

AXIS Q7424-R Mk II Video Encoder

- L'appareil ne peut utiliser qu'une seule interface réseau, soit via le module PDU soit via le connecteur RJ45. Le module PDU est prioritaire devant le connecteur RJ45.

Utilisez le produit

Si vous souhaitez rechercher des produits Axis sur le réseau ou leur affecter des adresses IP sous Windows®, nous recommandons l'utilisation des applications AXIS IP Utility et AXIS Camera Management. Ces deux applications sont gratuites et peuvent être téléchargées depuis www.axis.com/techsup

Le produit peut être utilisé avec la plupart des systèmes d'exploitation et des navigateurs. Nous recommandons les navigateurs suivants :

- Internet Explorer® avec Windows®,
- Safari® avec OS X®
- Chrome™ ou Firefox® avec les autres systèmes d'exploitation.

Pour plus d'informations concernant l'utilisation du produit, consultez le manuel de l'utilisateur disponible sur le site www.axis.com

Une fois installée, vous pouvez accéder à l'AXIS Q7424-R Mk II sur votre réseau local (LAN). Pour accéder à l'encodeur vidéo sur Internet, les routeurs réseau doivent être configurés pour autoriser le trafic entrant, ce qui est généralement réalisé sur un port spécifique.

- Le port HTTP (port 80 par défaut) pour l'affichage et la configuration
- Le port RTSP (port 554 par défaut) pour l'affichage des flux de données vidéo H.264

Pour plus d'informations, reportez-vous à la documentation fournie avec votre routeur.

Réinitialisation aux paramètres d'usine par défaut

Important

La réinitialisation aux paramètres par défaut doit être utilisée avec prudence. Cette opération reconfigure tous les paramètres, y compris l'adresse IP, aux valeurs d'usine par défaut.

Note

Les logiciels d'installation et de gestion sont disponibles sur les pages d'assistance du site www.axis.com/techsup

FR

Pour réinitialiser l'appareil aux paramètres d'usine par défaut :

1. Déconnectez l'alimentation de l'appareil.
2. Maintenez le bouton de commande enfoncé et remettez l'appareil sous tension. Consultez *Aperçu du matériel page 28*.
3. Maintenez le bouton de commande enfoncé pendant 15 à 30 secondes, jusqu'à ce que le voyant d'état passe à l'orange et clignote.
4. Relâchez le bouton de commande. Le processus est terminé lorsque le voyant d'état passe au vert. Les paramètres d'usine par défaut de l'appareil ont été rétablis. En l'absence d'un serveur DHCP sur le réseau, l'adresse IP par défaut est 192.168.0.90.
5. Utilisez les outils d'installation et de gestion pour attribuer une adresse IP, configurer le mot de passe et accéder au flux de données vidéo.

Il est également possible de rétablir les paramètres d'usine à partir de l'interface Web. Accédez à **Setup > System Options > Maintenance (Configuration > Options du système > Maintenance)** et cliquez sur **Default (Défaut)**.

Informations complémentaires

- Pour la dernière version de ce document, consultez le site www.axis.com
- Le Manuel de l'utilisateur est disponible à l'adresse suivante : www.axis.com
- Pour vérifier si des mises à jour des logiciels sont disponibles pour votre appareil réseau, consultez le site www.axis.com/techsup.
- Pour en savoir plus sur les formations, les webinaires, les tutoriels et les guides, visitez le site www.axis.com/academy.

Accessoires en option

Pour obtenir la liste complète des accessoires disponibles pour ce produit, consultez www.axis.com

Caractéristiques techniques

Vous pouvez obtenir la dernière version des caractéristiques techniques sur www.axis.com

Voyants

Note

- Le voyant d'état peut être éteint pendant le fonctionnement normal. Pour ce faire, rendez-vous dans **Setup > System Options > Ports & Devices > LED (Configuration > Options système > Ports et dispositifs > DEL)**. Consultez l'aide en ligne pour plus d'informations.
- Le voyant d'état peut clignoter lorsqu'un événement est actif.
- Le voyant d'état peut clignoter pendant l'identification de l'appareil. Rendez-vous dans **Setup > System Options > Maintenance (Configuration > Options du système > Maintenance)**.

Voyant d'état	Indication
Vert	Vert fixe en cas de fonctionnement normal.
Orange	En continu pendant le démarrage, pendant la réinitialisation des valeurs d'usine par défaut ou la restauration des paramètres.
Rouge	Échec de la mise à niveau du microprogramme.

Note

Le voyant de réseau peut être désactivé afin qu'il ne clignote pas en cas de trafic réseau. Pour ce faire, rendez-vous dans **Setup > System Options > Ports & Devices > LED (Configuration > Options système > Ports et dispositifs > DEL)**. Consultez l'aide en ligne pour plus d'informations.

Voyant DEL réseau	Indication
Vert	Fixe en cas de connexion à un réseau de 1 Gbit/s. Clignote en cas d'activité réseau.
Orange	Fixe en cas de connexion à un réseau de 10/100 Mbits/s. Clignote en cas d'activité réseau.
Éteint	Pas de connexion réseau.

Note

Le voyant d'alimentation peut être éteint pendant le fonctionnement normal. Pour ce faire, rendez-vous dans **Setup > System Options > Ports & Devices > LED (Configuration > Options système > Ports et dispositifs > DEL)**. Consultez l'aide en ligne pour plus d'informations.

Voyant d'alimentation	Indication
Vert	Fonctionnement normal.
Orange	Le voyant vert/orange clignote pendant la mise à niveau du microprogramme.

Emplacement pour carte SD

AVIS

- La carte SD risque d'être endommagée. Ne pas utiliser d'outils tranchants ou d'objets métalliques et ne pas forcer lors de l'insertion ou du retrait de la carte SD. Utilisez vos doigts pour insérer et retirer la carte.
- Risque de perte de données et d'enregistrements corrompus. Ne retirez pas la carte SD tant que le produit est en fonctionnement. Débranchez ou déposez la carte SD des pages Web du produit AXIS avant de la retirer.

Cet appareil est compatible avec une carte SD/SDHC/SDXC (non incluse).

Pour obtenir des conseils sur la carte SD, rendez-vous sur www.axis.com

Boutons

Bouton de commande

Pour connaître l'emplacement du bouton de commande, consultez *Aperçu du matériel* page 28.

Le bouton de commande permet de réaliser les opérations suivantes :

- Réinitialisation du produit aux paramètres d'usine par défaut. Cf. *page 31*.
- Connexion au service du Système d'hébergement vidéo AXIS ou au service AXIS Internet Dynamic DNS. Pour plus d'informations sur ces services, reportez-vous au Manuel de l'utilisateur.

Connecteurs

Connecteur réseau

Connecteur Ethernet RJ45 avec l'alimentation par Ethernet (PoE).

L'appareil ne peut utiliser qu'une seule interface réseau : un module SFP ou un connecteur RJ45. Le module SFP a une priorité plus élevée que le connecteur RJ45.

AVIS

Le produit doit être connecté à l'aide d'un câble réseau blindé (STP). Tous les câbles reliant le produit au commutateur réseau doivent être destinés à leur usage spécifique. Assurez-vous que les périphériques réseau sont installés conformément aux instructions du fabricant. Pour plus d'informations sur les exigences réglementaires, consultez *Electromagnetic Compatibility (EMC) on page 4*.

FR

Connecteur BNC

Chaque entrée vidéo se termine par un connecteur coaxial/BNC.

Utilisez un câble vidéo coaxial de 75 ohms ; la longueur maximale recommandée est de 250 mètres (800 pieds).

Note

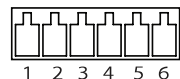
Vous pouvez activer ou désactiver la terminaison vidéo de 75 ohms via la page Web du produit sous **Video & Audio > Camera Settings > Video termination (Vidéo et audio > Réglages caméra > Terminaison vidéo)**. La terminaison vidéo est activée par défaut. Si le produit doit être branché en parallèle avec d'autres équipements, il est recommandé d'activer la terminaison vidéo uniquement pour le dernier appareil de la chaîne de signal vidéo afin d'obtenir une qualité vidéo optimale.

Connecteur d'E/S

Utilisez-le avec des périphériques externes, associés aux applications telles que les alarmes de détérioration, la détection de mouvement, le déclenchement d'événements et les notifications d'alarme. En plus du point de référence 0 V CC et de l'alimentation (sortie CC), le connecteur d'E/S fournit une interface aux éléments suivants :

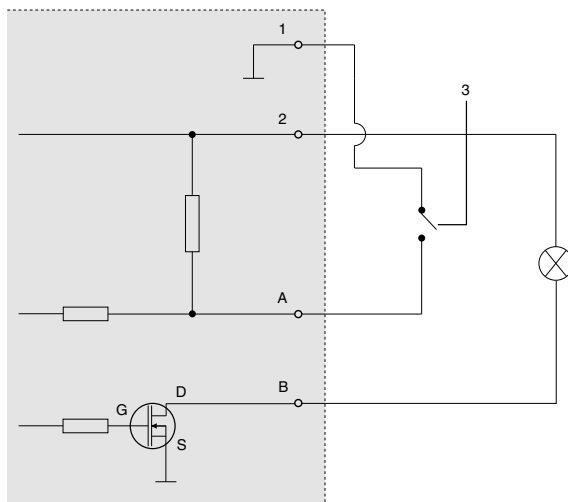
- **Sortie numérique** – Permet de connecter des dispositifs externes, comme des relais ou des voyants. Les appareils connectés peuvent être activés par l'interface de programmation VAPIX®, des boutons de sortie sur la page Live View (Vidéo en direct) ou par une règle d'action. La sortie est considérée comme étant active (comme indiqué dans **System Options > Ports & Devices (Options du système > Ports et dispositifs)**) si le dispositif d'alarme est activé.
- **Entrée numérique** – Entrée d'alarme utilisée pour connecter des dispositifs pouvant passer d'un circuit ouvert à un circuit fermé, par exemple : détecteurs infrarouge passifs, contacts de porte/fenêtre, détecteurs de bris de verre, etc. À la réception d'un signal, l'état change et l'entrée s'active (sous **System Options > Ports & Devices (Options du système > Ports et dispositifs)**).

Bloc terminal configurable à 6 broches



AXIS Q.7424-R Mk II Video Encoder

Fonction	Broche	Remarques	Caractéristiques
0 V CC (-)	1		0 V CC
Sortie CC	2	Peut servir à alimenter le matériel auxiliaire. Remarque : cette broche ne peut être utilisée que comme sortie d'alimentation.	12 V CC Charge max. = 125 mA
Configurable (entrée ou sortie)	3-6	Entrée numérique – Connectez-la à la broche 1 pour l'activer ou laissez-la flotter (déconnectée) pour la désactiver.	0 à 30 V CC max.
		Sortie numérique – Connectée à la broche 1 lorsqu'elle est activée, flotte (déconnectée) lorsqu'elle est désactivée. Si vous l'utilisez avec une charge inductive, par exemple un relais, une diode doit être connectée en parallèle avec la charge, en guise de protection contre les tensions transitoires.	0 à 30 V CC max., drain ouvert, 100 mA



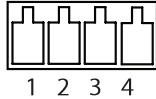
- 1 0 V CC (-)
- 2 Sortie CC 12 V, maxi. 125 mA
- 3 Exemple : bouton-poussoir
- A Entrée/sortie configurée comme entrée
- B Entrée/sortie configurée comme sortie

Connecteur audio

Bloc terminal à 4 broches pour l'entrée et la sortie audio.

Pour l'entrée audio, le canal gauche d'un signal stéréo est utilisé.

Bloc terminal à 4 broches pour :



- Entrée audio
- Sortie audio

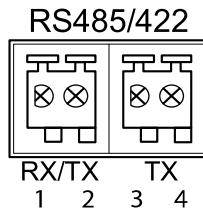
Fonction	Broche	Remarques
Entrée micro/ligne	1	Entrée micro ou ligne (mono). Une polarisation de microphone de 3,0 V est disponible.
Terre	2	Mise à la terre
Sortie de ligne	3	Sortie audio de niveau de ligne (mono). Peut être connectée à un système de sonorisation (PA) ou à un haut-parleur actif avec amplificateur intégré.
Terre	4	Mise à la terre

Connecteur RS485/RS422

Deux blocs terminaux à 2 broches pour l'interface série RS485/RS422 utilisée pour commander les équipements auxiliaires, tels que les dispositifs panoramique/inclinaison.

Blocs terminaux à 2 broches pour interface série RS485/RS422. Le port série peut être configuré pour la prise en charge de :

- RS485 semi-duplex sur deux fils
- RS485 duplex intégral sur quatre fils
- RS422 simplex sur deux fils
- RS422 duplex intégral sur quatre fils pour communication point à point



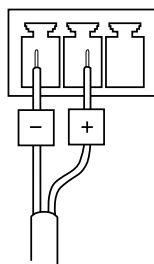
AXIS Q7424-R Mk II Video Encoder

Fonction	Broche	Notes
RS485/RS422 RX/TX A	1	(RX) Pour duplex intégral RS485/RS422 (RX/TX) pour semi-duplex RS485
RS485/RS422 RX/TX B	2	
RS485/RS422 TX A	3	(TX) Pour duplex intégral RS485/RS422
RS485/RS422 TX B	4	

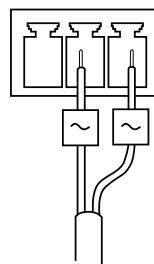
Connecteur d'alimentation

Bloc terminal à 3 broches pour l'alimentation. Utilisez une source d'alimentation limitée (LPS) conforme aux exigences de Très basse tension de sécurité (TBTS) dont la puissance de sortie nominale est limitée à ≤ 100 W ou dont le courant de sortie nominale est limité à ≤ 5 A.

Entrée d'alimentation CC



Entrée d'alimentation CA



Consommation d'énergie

Alimentation par Ethernet (PoE), classe 3).	max. 12,95 W
Puissance d'entrée CA, 20 à 24 CA	max. 14 VA
Puissance d'entrée CC, 8 à 28 V CC	max. 10 W

Informations sur la sécurité

Lisez attentivement ce guide d'installation avant d'installer l'appareil. Conservez le guide d'installation pour toute référence ultérieure.

Niveaux de risques

▲ DANGER

Indique une situation dangereuse qui, si elle n'est pas évitée, entraînera le décès ou des blessures graves.

▲ AVERTISSEMENT

Indique une situation dangereuse qui, si elle n'est pas évitée, pourrait entraîner le décès ou des blessures graves.

▲ ATTENTION

Indique une situation dangereuse qui, si elle n'est pas évitée, pourrait entraîner des blessures légères ou modérées.

AVIS

Indique une situation qui, si elle n'est pas évitée, pourrait endommager l'appareil.

Autres niveaux de message

Important

Indique les informations importantes, nécessaires pour assurer le bon fonctionnement de l'appareil.

Note

Indique les informations utiles qui permettront d'obtenir le fonctionnement optimal de l'appareil.

Consignes de sécurité

AVIS

- Le produit Axis doit être utilisé conformément aux lois et réglementations locales en vigueur.
- Pour pouvoir utiliser le produit Axis à l'extérieur, ou dans des environnements similaires, il doit être installé dans un boîtier d'extérieur homologué.
- Conserver ce produit Axis dans un environnement sec et ventilé.
- Ne pas exposer ce produit Axis aux chocs ou aux fortes pressions.
- Ne pas installer ce produit sur des poteaux, supports, surfaces ou murs instables.
- Utiliser uniquement des outils recommandés pour l'installation de l'appareil Axis. L'application d'une force excessive sur l'appareil avec des outils puissants pourrait l'endommager.
- Ne pas utiliser de produits chimiques, de substances caustiques ou de nettoyeurs pressurisés.
- Utiliser un chiffon propre imbibé d'eau pure pour le nettoyage.
- Utiliser uniquement des accessoires conformes aux caractéristiques techniques du produit. Ils peuvent être fournis par Axis ou un tiers.
- Utiliser uniquement les pièces de rechange fournies ou recommandées par Axis.
- Ne pas essayer de réparer vous-même ce produit. Contacter l'assistance technique d'Axis ou votre revendeur Axis pour des problèmes liés à l'entretien.
- L'alimentation électrique doit être branchée à une prise de courant installée près de l'équipement et être facilement accessible.
- Utilisez une source d'alimentation limitée (LPS) dont la puissance de sortie nominale est limitée à ≤ 100 W ou dont le courant de sortie nominal est limité à ≤ 5 A.

Transport

AVIS

- Lors du transport du produit Axis, utilisez l'emballage d'origine ou un équivalent pour éviter d'endommager le produit.

Batterie

Le produit Axis utilise une batterie au lithium BR2032 3,0 V comme alimentation de son horloge en temps réel interne (RTC). Dans des conditions normales, cette batterie a une durée de vie minimale de cinq ans.

Si la batterie est faible, le fonctionnement de l'horloge en temps réel peut être affecté et entraîner sa réinitialisation à chaque mise sous tension. Un message enregistré apparaît dans le rapport de

serveur du produit lorsque la batterie doit être remplacée. Pour tout complément d'information concernant le rapport de serveur, reportez-vous aux pages de Configuration du produit ou contactez l'assistance technique d'Axis.

La batterie doit être remplacée uniquement en cas de besoin, et pour ce faire, contactez l'assistance technique d'Axis à l'adresse www.axis.com/techsup et obtenir de l'aide.

Les piles boutons 3,0 V au lithium contiennent du 1,2-diméthoxyéthane, éthylène glycol diméthyl éther (EGDME), CAS N° 110-71-4.

▲ AVERTISSEMENT

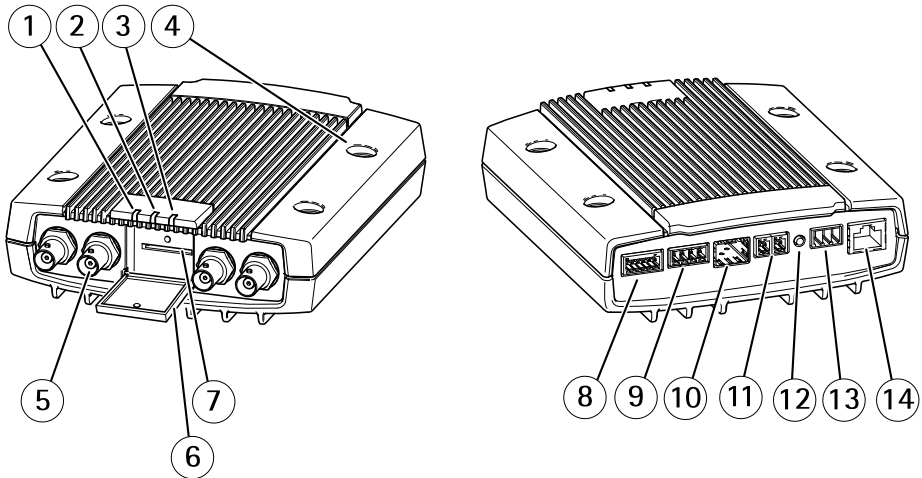
- Risque d'explosion si la batterie est remplacée de façon incorrecte.
- Remplacez-la uniquement par une batterie identique ou une batterie recommandée par Axis.
- Mettez au rebut les batteries usagées conformément aux réglementations locales ou aux instructions du fabricant de la batterie.

Lieferumfang

- AXIS Q7424-R Mk II Video-Encoder
- Montageausrüstung
 - 4 Oberflächenschutz-Pads
 - Anschlussklemmenleiste (E/A: 6-poliger Anschluss, RS485/RS422: 2 x 2-poliger Anschluss, Strom: 3-poliger Anschluss, Audio: 4-poliger Anschluss)
 - Innensechskantschlüssel (Inbusschlüssel) für manipulations sichere Schraube an der SD-Abdeckung
- Gedruckte Dokumente:
 - Installationsanleitung (dieses Dokument)

Übersicht über die Hardware

Die technischen Daten für Hardware-Komponenten finden Sie unter *Technische Daten auf Seite 49*.



- 1 LED-Betriebsanzeige
- 2 LED-Statusanzeige
- 3 LED-Netzwerkanzeige
- 4 Montagebohrungen
- 5 Videoeingangsbuchsen
- 6 SD-Speicherkartenabdeckung
- 7 SD-Speicherkarteneinschub
- 8 E/A-Anschluss
- 9 Audioanschlüsse
- 10 SFP-Anschluss
- 11 RS485-/RS422-Anschluss
- 12 Steuertaste
- 13 Netzanschluss
- 14 Netzwerkanschluss (PoE)

Installieren des Produkts

Montage des Video-Encoders

Der AXIS Q7424-R Mk II kann einfach auf eine flache Oberfläche gestellt oder darauf montiert werden. Siehe *Übersicht über die Hardware auf Seite 44*.

1. Drücken Sie die Schutz-Pads heraus und kleben Sie diese an die Unterseite des Video-Encoders, um Kratzer auf der Oberfläche zu vermeiden, auf welcher der Video-Encoder platziert wird.
2. Positionieren Sie den Video-Encoder an der Wand und markieren Sie die vier Montagebohrungen.
3. Bohren Sie die vier Montagelöcher.
4. Befestigen Sie den Encoder mit für die Bausubstanz geeigneten Schrauben an der Wand.

DE

Anschließen der Kabel und Einschoben der SD-Speicherkarte

1. Verbinden Sie den Encoder über ein abgeschirmtes Netzkabel oder ein SFP-Modul mit dem Netzwerk. Falls Sie PoE benutzen, beachten Sie die nachfolgenden Hinweise.
2. Sie können zusätzlich externe E/A-Geräte wie z. B. Alarmanlagen anschließen. Für Informationen zur Anschlussbelegung siehe *Anschlüsse auf Seite 50*.
3. Zusätzlich können Sie außerdem einen Aktivlautsprecher und/oder ein externes Mikrofon anschließen.
4. Verbinden Sie die Kameras mit den Videoeingängen.
5. Wenn die Einheit über den Wechselstrom- oder Gleichstromeingang versorgt wird, schließen Sie ein externes Netzteil an. Beachten Sie die nachfolgenden Hinweise.
6. Überprüfen Sie, ob die LED-Anzeigen die Betriebszustände korrekt angeben. Einzelheiten finden Sie unter *LEDs auf Seite 49*.
7. Schieben Sie, falls erforderlich, eine SD-Speicherkarte ein und sichern Sie die Abdeckung der SD-Speicherkarte mit dem mitgelieferten Inbusschlüssel.

Beachten

- Das Gerät kann entweder mit Wechsel- oder mit Gleichstrom bzw. über PoE betrieben werden.
- Falls Sie das Gerät mit Gleich- oder Wechselstrom betreiben, schließen Sie das Netzteil an den Stromanschluss auf der Rückseite des Geräts an.
- Falls Sie das Gerät über PoE betreiben, schließen Sie das PoE-Netzkabel an.
- Zur Einhaltung der Sicherheitsvorschriften darf bei einer Außenmontage kein Wechselstrom verwendet werden.
- Schieben Sie bei Verwendung von SFP ein 100 MBit/s- bzw. 1 GBit/s-SFP-SerDes-Modul in den SFP-Einschub ein.

- Das Gerät kann nur über eine Netzwerkschnittstelle verbunden werden – entweder über das SFP-Modul oder über den RJ-45-Anschluss. Das SFP-Modul hat eine höhere Priorität als der RJ-45-Anschluss.

Zugriff auf das Produkt

Für die Suche nach Axis Produkten im Netzwerk und zur Zuweisung einer IP-Adresse unter Windows® werden AXIS IP Utility und AXIS Camera Management empfohlen. Beide Anwendungen sind kostenlos und können von unserer Website unter www.axis.com/techsup heruntergeladen werden.

Das Produkt ist mit den meisten Betriebssystemen und Browsern kompatibel. Empfohlen werden folgende Browser:

- Internet Explorer® unter Windows®
- Safari® unter OS X®
- Chrome™ oder Firefox® unter anderen Betriebssystemen

Weitere Informationen zur Nutzung dieses Produkts finden Sie im Benutzerhandbuch unter www.axis.com.

Nach dem Installieren können Sie über Ihr lokales Netzwerk (LAN) auf AXIS Q7424-R Mk II zugreifen. Um auch über das Internet auf den Video-Encoder zugreifen zu können, müssen Sie die Netzwerk-Router so konfigurieren, dass diese den entsprechenden eingehenden Datenverkehr zulassen, was üblicherweise durch Zuweisung eines bestimmten Ports geschieht.

- HTTP-Port (standardmäßig Port 80) für die Anzeige und Konfiguration
- RTSP-Port (standardmäßig Port 554) für die Anzeige von H.264-Videostreams

Weitere Anweisungen hierzu finden Sie in der Dokumentation zu Ihrem Router.

Zurücksetzen auf Werkseinstellungen

Wichtig

Das Zurücksetzen auf die Werkseinstellungen sollte mit Vorsicht verwendet werden. Beim Zurücksetzen auf die Werkseinstellungen werden alle Einstellungen einschließlich der IP-Adresse auf die Werkseinstellungen zurückgesetzt.

Beachten

Die Software-Tools für Installation und Verwaltung sind über die Supportseiten unter www.axis.com/techsup verfügbar.

DE

So wird das Produkt auf die werksseitigen Standardeinstellungen zurückgesetzt:

1. Trennen Sie das Produkt von der Stromversorgung.
2. Halten Sie die Steuertaste gedrückt und stecken Sie den Netzstecker wieder ein. Siehe *Übersicht über die Hardware auf Seite 44*.
3. Halten Sie die Steuertaste etwa 15 bis 30 Sekunden gedrückt, bis die LED-Statusanzeige gelb blinkt.
4. Lassen Sie die Steuertaste los. Der Vorgang ist abgeschlossen, wenn die LED-Statusanzeige grün leuchtet. Das Produkt wurde auf die Werkseinstellungen zurückgesetzt. Wenn kein DHCP-Server im Netzwerk verfügbar ist, lautet die Standard-IP-Adresse 192.168.0.90.
5. Verwenden Sie die Software-Tools für Installation und Verwaltung, um eine IP-Adresse zuzuweisen, ein Kennwort einzurichten und auf den Videostream zuzugreifen.

Die Parameter können auch über die Weboberfläche auf die Werkseinstellungen zurückgesetzt werden. Rufen Sie **Setup > System Options > Maintenance (Setup > Systemoptionen > Wartung)** auf und klicken Sie auf **Default (Standard)**.

Weitere Informationen

- Unter www.axis.com finden Sie die aktuelle Version dieses Dokuments.
- Das Benutzerhandbuch steht unter www.axis.com zur Verfügung.
- Unter www.axis.com/support finden Sie Firmware-Aktualisierungen für Ihre Produkte.
- Nützliche Onlineschulungen und Webinare finden Sie unter www.axis.com/academy.

Optionales Zubehör

Eine vollständige Liste mit Zubehör für dieses Produkt finden Sie unter www.axis.com.

Technische Daten

Die aktuelle Version der technischen Daten finden Sie unter www.axis.com.

LEDs

Beachten

- Die Status-LED kann so eingestellt werden, dass sie während des Normalbetriebs nicht leuchtet. Diese Konfiguration können Sie unter **Setup > System Options > Ports & Devices > LED (Setup > Systemoptionen > Ports & Geräte > LED)** einstellen. Weitere Informationen finden Sie in der Online-Hilfe.
- Die Status-LED kann so eingestellt werden, dass sie blinkt, wenn ein Ereignis aktiv ist.
- Die Status-LED kann so eingestellt werden, dass sie blinkt, wenn die Einheit erkannt wird. Rufen Sie **Setup > System Options > Maintenance (Setup > Systemoptionen > Wartung)** auf.

Status-LED	Bedeutung
Grün	Leuchtet bei Normalbetrieb grün.
Gelb	Leuchtet beim Einschalten, beim Wiederherstellen der werksseitigen Standardeinstellungen bzw. beim Zurücksetzen von Einstellungen konstant.
Rot	Fehler während der Firmware-Aktualisierung.

Beachten

Die Netzwerk-LED kann deaktiviert werden, sodass sie bei Datenverkehr über das Netzwerk nicht blinkt. Diese Konfiguration können Sie unter **Setup > System Options > Ports & Devices > LED (Setup > Systemoptionen > Ports & Geräte > LED)** einstellen. Weitere Informationen finden Sie in der Online-Hilfe.

Netzwerk-LED	Bedeutung
Grün	Leuchtet bei Verbindung mit einem 1 GBit/s-Netzwerk. Blinkt bei Netzwerkaktivität.
Gelb	Leuchtet bei Verbindung mit einem 10/100 MBit/s-Netzwerk. Blinkt bei Netzwerkaktivität.
Leuchtet nicht	Keine Netzwerkverbindung vorhanden.

Beachten

Die Netz-LED kann so eingestellt werden, dass sie während des Normalbetriebs nicht leuchtet. Diese Konfiguration können Sie unter **Setup > System Options > Ports & Devices > LED (Setup > Systemoptionen > Ports & Geräte > LED)** einstellen. Weitere Informationen finden Sie in der Online-Hilfe.

Netz-LED	Bedeutung
Grün	Normaler Betrieb.
Gelb	Blinkt grün/gelb bei der Firmware-Aktualisierung.

SD-Karteneinschub

HINWEIS

- Gefahr von Schäden an der SD-Karte. Verwenden Sie beim Einlegen oder Entfernen der SD-Karte keine scharfen/spitzen Werkzeuge oder Gegenstände aus Metall und wenden Sie nicht zu viel Kraft an. Setzen Sie die Karte per Hand ein. Das Gleiche gilt für das Entfernen.
- Gefahr von Datenverlust und Beschädigung der Aufnahmen. Die SD-Karte darf nicht entfernt werden, während das Produkt in Betrieb ist. Trennen Sie die Stromversorgung oder deaktivieren Sie die SD-Karte vor dem Entfernen über die Webseiten des Axis Produkts.

Dieses Produkt unterstützt SD-/SDHC-/SDXC-Karten (separat erhältlich).

Empfehlungen zu SD-Karten finden Sie unter www.axis.com.

Tasten

Steuertaste

Die Steuertaste befindet sich an folgender Stelle: *Übersicht über die Hardware auf Seite 44.*

Die Steuertaste hat folgende Funktionen:

- Zurücksetzen des Produkts auf die Werkseinstellungen. Siehe *Seite 47.*
- Verbinden mit einem AXIS Video Hosting System-Service oder einem AXIS Internet Dynamic DNS-Service. Weitere Informationen zu diesen Diensten finden Sie in der Bedienungsanleitung.

Anschlüsse

Netzwerkanschluss

RJ45-Ethernetanschluss mit Power over Ethernet (PoE).

Diese Einheit kann nur eine (1) Netzwerkschnittstelle verwenden: entweder ein SFP-Modul oder den RJ-45-Anschluss. Das SFP-Modul hat eine höhere Priorität als der RJ45-Anschluss.

HINWEIS

Das Produkt muss mit einem abgeschirmten Netzkabel (STP) angeschlossen werden. Alle Kabel, die das Produkt mit dem Netzwerkschalter verbinden, müssen hierfür ausgelegt

sein. Stellen Sie sicher, dass die Netzwerkgeräte gemäß den Anweisungen des Herstellers installiert wurden. Informationen zu gesetzlichen Bestimmungen finden Sie unter *Electromagnetic Compatibility (EMC) on page 4*.

BNC-Anschluss

Jeder Videoeingang wird mit einem Koaxial-/BNC-Anschluss abgeschlossen.

Schließen Sie ein 75-Ohm-Koaxialvideokabel an. Die empfohlene maximale Kabellänge beträgt 250 m.

Beachten

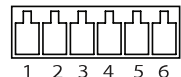
Für den Videoeingang kann der 75-Ohm-Videoabschluss auf der Produkt-Webseite unter **Video & Audio > Camera Settings > Video termination (Video und Audio > Kameraeinstellungen > Videoabschluss)** aktiviert/deaktiviert werden. In den Standardwerkseinstellungen ist der Videoabschluss aktiviert. Falls das Produkt parallel zu anderen Geräten angeschlossen wird, sollte der Videoabschluss nur für das letzte Gerät in der Videosignalkette aktiviert werden, um eine optimale Videoqualität zu gewährleisten.

E/A-Anschluss

Zur Verwendung mit externen Geräten in Verbindung mit Manipulationsalarmen, Bewegungserkennung, Ereignisauslösung, Alarmbenachrichtigungen usw. Abgesehen von 0 V DC-Bezugspunkt und Strom (Gleichstromausgang) verfügt der E/A-Anschluss über eine Schnittstelle zu:

- **Digitalausgang** – Zum Anschluss externer Geräte wie Relais und LEDs. Angeschlossene Geräte können über die VAPIX® Application Programming Interface (Programmierschnittstelle) über die Schaltflächen für den Ausgang auf der Seite „Live View“ oder durch eine Aktionsregel aktiviert werden. Der Ausgang wird als aktiv (siehe **System Options > Ports & Devices (Systemoptionen > Anschlüsse und Geräte)**) angezeigt, wenn das Alarmmeldegerät aktiviert ist.
- **Digitaleingang** – Alarmeingang für den Anschluss von Geräten, die zwischen geöffnetem und geschlossenem Schaltkreis wechseln können, z. B.: PIR-Sensoren, Tür-/Fensterkontakte, Glasbruchmelder usw. Bei Empfang eines Signals ändert sich der Status und der Eingang wird aktiviert (siehe **System Options > Ports & Devices (Systemoptionen > Anschlüsse & Geräte)**).

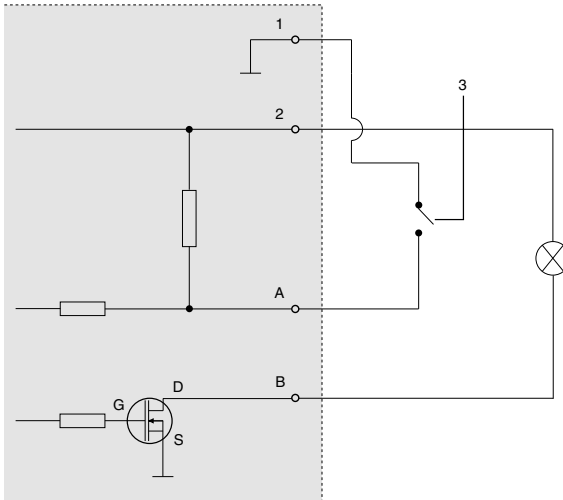
6-poliger konfigurierbarer Anschlussblock



Funktion	Kontakt	Hinweise	Technische Daten
0 V DC (-)	1		0 V DC

AXIS Q.7424-R Mk II Video Encoder

Gleichstromausgang	2	Kann für die Stromversorgung von Zusatzgeräten verwendet werden. Hinweis: Dieser Kontakt kann nur für den Stromausgang verwendet werden.	12 V DC Max. Stromstärke = 125 mA
Konfigurierbar (Ein- oder Ausgang)	3-6	Digitaleingang – zum Aktivieren mit Pin 1 verbunden; zum Deaktivieren nicht anschließen.	0 bis max. 30 V DC
		Digitalausgang – bei Aktivierung mit Pin 1 verbunden; wenn deaktiviert: frei (nicht verbunden). Bei Verwendung mit einer induktiven Last, z. B. einem Relais, muss parallel zur Last zum Schutz vor Spannungsspitzen eine Diode zwischengeschaltet werden.	0 bis max. 30 V DC, Open Drain, 100 mA



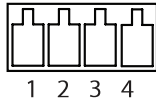
- 1 0 V DC (-)
- 2 DC-Ausgang 12 V, max. 125 mA
- 3 Beispiel: Taster
- A E/A als Eingang konfiguriert
- B E/A als Ausgang konfiguriert

Audioanschlüsse

4-poliger Anschlussblock für Audioeingang/-ausgang.

Beim Audioeingang wird der linke Kanal von einem Stereosignal benutzt.

4-poliger Anschlussblock für:



- Audioeingang
- Audioausgang

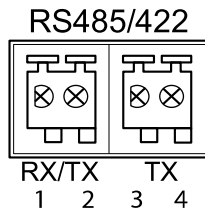
Funktion	Kontakt	Hinweise
Mikrofon-/Leitungseingang	1	Mikrofon-/Leitungseingang (Mono). Eine Mikrofon-Vorspannung von 3 V steht zur Verfügung.
GND	2	Masse
Leitungsausgang	3	Audioausgang (Leistungsstufe, Mono). Zum Anschließen einer Rundrufanlage (PA) oder eines Aktivlautsprechers mit integriertem Verstärker.
GND	4	Masse

RS485-/RS422-Anschluss

Zwei 2-polige Anschlussblöcke für serielle Schnittstellen vom Typ RS-485/RS-422 zur Steuerung von Zusatzgeräten, beispielsweise zum Schwenken und Neigen.

Zwei 2-polige Anschlussblöcke für serielle Schnittstellen vom Typ RS485/RS422. Der serielle Anschluss kann in den folgenden Anschlussmodi konfiguriert werden:

- zweiadriger RS485-Halbduplex-Anschluss
- vieradriger RS485-Vollduplex-Anschluss
- zweiadriger RS422-Simplex-Anschluss
- vieradriger RS422-Vollduplex-Anschluss (Punkt-zu-Punkt-Verbindung)



Funktion	Kontakt	Hinweise
RS485/RS422 RX/TX A	1	(RX) RS485/RS422 für Vollduplex (RX/TX) RS485 für Halbduplex
RS485/RS422 RX/TX B	2	

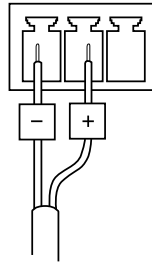
AXIS Q7424-R Mk II Video Encoder

RS485/RS422 TX A	3	(TX) RS485/RS422 für Vollduplex
RS485/RS422 TX B	4	

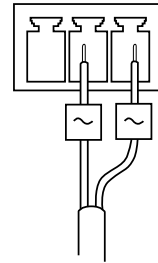
Netzanschluss

3-poliger Anschlussblock für die Stromversorgung. Verwenden Sie eine mit den Anforderungen für Schutzkleinspannung (SELV) kompatible Stromquelle mit begrenzter Leistung (LPS) mit einer Nennausgangsleistung von ≤ 100 W oder einem dauerhaft auf ≤ 5 A begrenzten Nennausgangsstrom.

Gleichstromeingang



Wechselstromeingang



Leistungsaufnahme

Power over Ethernet (PoE), Klasse 3	max. 12,95 W
Wechselstromeingang 20 bis 24 V AC	max. 14 VA
Gleichstromeingang 8 bis 28 V DC	max. 10 W

Sicherheitsinformation

Lesen Sie das Installationshandbuch sorgfältig durch bevor sie das Produkt installieren. Bewahren Sie das Installationshandbuch für zukünftige Zwecke auf.

Gefährdungsstufen

▲GEFAHR

Weist auf eine gefährliche Situation hin, welche, falls nicht verhindert, zu Tod oder schweren Verletzungen führt.

▲WARNUNG

Weist auf eine gefährliche Situation hin, welche, falls nicht verhindert, zu Tod oder schweren Verletzungen führen kann.

▲VORSICHT

Weist auf eine gefährliche Situation hin, welche, falls nicht verhindert, zu geringfügiger oder mäßiger Verletzung führen kann.

HINWEIS

Weist auf eine gefährliche Situation hin, welche, falls nicht verhindert, zu Sachschäden führen kann.

Weitere Nachrichtenstufen

Wichtig

Weist auf wichtige Informationen hin, die den richtigen Betrieb des Produkts gewährleisten.

Beachten

Weist auf nützliche Informationen hin, die die optimale Verwendung des Produkts unterstützen.

Sicherheitsanweisungen

HINWEIS

- Die Anwendung des Axis Produkts muss unter Beachtung der örtlich geltenden rechtlichen Bestimmungen erfolgen.
- Bei der Anwendung von Axis Produkten im Außenbereich oder ähnlichen Umgebungen, müssen diese in zugelassenen Außengehäusen installiert werden.
- Lagern Sie das Axis Produkt in einer trockenen und belüfteten Umgebung.
- Achten Sie darauf, dass das Axis Produkt weder Stößen noch starkem Druck ausgesetzt ist.
- Installieren Sie das Produkt nicht an instabilen Masten, Halterungen, Oberflächen oder Wänden.
- Verwenden Sie bei der Installation des Axis Produkts ausschließlich passende Werkzeuge. Ein zu großer Kraftaufwand mit elektrischen Werkzeugen kann das Produkt beschädigen.
- Verwenden Sie keine chemischen, ätzenden oder aerosolhaltigen Reinigungsmittel.
- Verwenden Sie zum Reinigen ein sauberes, mit destilliertem Wasser angefeuchtetes Tuch.
- Verwenden Sie nur Zubehör, das den technischen Daten des Produkts entspricht. Dieses ist von Axis oder Drittanbietern erhältlich.
- Verwenden Sie ausschließlich Ersatzteile die von Axis bereitgestellt oder empfohlen werden.
- Versuchen Sie nicht, das Produkt selbstständig zu reparieren. Wenden Sie sich bezüglich Reparatur und Wartung an den Axis Support oder Ihren Axis Händler.
- Das Netzteil sollte an eine Steckdose in der Nähe des Produkts angeschlossen werden und sollte leicht zugänglich sein.
- Verwenden Sie eine Stromquelle mit begrenzter Leistung (LPS), entweder mit einer Nennausgangsleistung von ≤ 100 W oder einem begrenzten Nennausgangsstrom von ≤ 5 A.

Transport

HINWEIS

- Bei Bedarf transportieren Sie das Axis Produkt in der Originalverpackung oder einer entsprechenden Verpackung, so dass Schäden vermieden werden.

Batterie

Das Axis Produkt ist mit einer 3,0-V-BR2032-Lithium-Batterie ausgestattet, mit der die interne Echtzeituhr (RTC) versorgt wird. Unter normalen Bedingungen hat die Batterie eine Lebensdauer von mindestens fünf Jahren.

Bei entladener Batterie ist der Betrieb der Echtzeituhr nicht mehr gewährleistet, sodass die Uhr bei jedem Systemstart zurückgesetzt wird. Sie erhalten eine Protokollnachricht im Serverbericht des

Produkts, wenn ein Batteriewechsel erforderlich ist. Weitere Informationen über den Serverbericht finden Sie auf den Setup-Seiten des Produkts, oder wenden Sie sich an den Axis Support.

Die Batterie sollte nur bei Bedarf ersetzt werden. Wenden Sie sich in diesem Fall an den Axis Support unter www.axis.com/techsup.

Lithium-Knopfzellen (3,0 V) enthalten 1,2-Dimethoxyethan; Ethylenglycoldimethylether (EGDME), CAS-Nr. 110-71-4.

⚠️ WARNUNG

- Explosionsgefahr bei fehlerhaftem Batteriewechsel.
- Die Batterie darf nur durch eine identische Batterie oder eine von Axis empfohlene Batterie ersetzt werden.
- Verbrauchte Batterien sind gemäß den örtlichen Vorschriften oder den Anweisungen des Herstellers zu entsorgen.

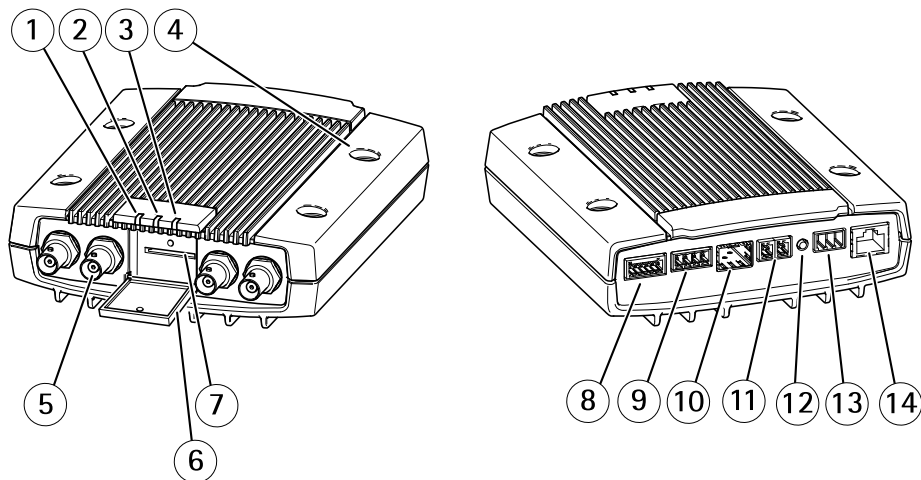
Contenuto della confezione

- Codificatore video AXIS Q7424-R Mk II
- Kit di montaggio
 - 4 cuscinetti di protezione
 - Morsettiera (I/O: connettore a 6 pin, RS485/RS422: 2 connettori a 2 pin, alimentazione: connettore a 3 pin, audio: connettore a 4 pin)
 - chiave Allen (chiave esagonale) per la vite del coperchio SD antimanomissione
- Materiali stampati:
 - Guida all'installazione (questo documento)

AXIS Q7424-R Mk II Video Encoder

Panoramica dell'hardware

Per le specifiche dei componenti hardware, vedere *Specifiche tecniche alla pagina 65*.



- 1 Alimentazione indicatore LED
- 2 Stato indicatore LED
- 3 Rete indicatore LED
- 4 Fori di montaggio
- 5 Connettori di ingresso video
- 6 Coperchio scheda di memoria SD
- 7 Alloggiamento per schede di memoria SD
- 8 Connettore I/O
- 9 Connettori audio
- 10 Connettore SFP
- 11 Connettore RS485/RS422
- 12 Pulsante di comando
- 13 Connettore di alimentazione
- 14 Connettore di rete (PoE)

Come installare il dispositivo

Montaggio del codificatore video

Il codificatore video AXIS Q7424-R Mk II può essere semplicemente posizionato su una superficie piana o montato a parete. Consultare *Panoramica dell'hardware alla pagina 60*.

1. Estrarre i cuscinetti di protezione e applicarli sotto il codificatore video per evitare di graffiare la superficie al momento del posizionamento del codificatore video.
2. Appoggiare il codificatore video contro la parete e contrassegnare la posizione dei due fori di montaggio.
3. Realizzare i quattro fori di montaggio.
4. Applicare il codificatore alla parete utilizzando viti appropriate al materiale edile.

IT

Collegare i cavi e inserire la scheda di memoria SD

1. Collegare il codificatore alla rete mediante un cavo di rete schermato o un modulo SFP. Consultare le sezioni che seguono per PoE.
2. Collegare gli altri dispositivi di input/output esterni (opzionali) come eventuali sistemi di allarme. Per informazioni sui pin del connettore terminale, consultare *Connettori alla pagina 66*.
3. Collegare, facoltativamente, l'altoparlante attivo e/o il microfono esterno.
4. Collegare le telecamere agli ingressi video.
5. Se l'unità è alimentata da corrente CA o CC, collegare una fonte di alimentazione esterna. Fare riferimento alla nota seguente.
6. Verificare che i LED indichino le condizioni di funzionamento corrette. Per informazioni dettagliate, consultare *Indicatori LED alla pagina 65*.
7. Se necessario, inserire una scheda di memoria SD e assicurare il coperchio della stessa con la chiave esagonale fornita.

Nota

- L'unità può essere alimentata tramite l'ingresso di alimentazione CA, CC o PoE.
- Per alimentare l'unità tramite l'ingresso CC o CA, collegare l'alimentatore al connettore di alimentazione sul retro dell'unità.
- Per alimentare l'unità tramite PoE, collegare un cavo di rete PoE.
- Per rispettare le norme di sicurezza, non utilizzare l'alimentazione CA per le installazioni all'esterno.
- Se si utilizza lo slot SFP, collegare un modulo SFP SerDes da 100 Mbps/1 Gbps allo stesso.
- L'unità può utilizzare solo un'interfaccia di rete, tramite modulo SFP o tramite connettore RJ45. Il modulo SFP ha una priorità superiore al connettore RJ45.

Accedere al dispositivo

AXIS IP Utility e AXIS Camera Management sono i metodi consigliati per trovare i dispositivi Axis in rete e assegnare loro un indirizzo IP in Windows®. Queste applicazioni sono entrambe gratuite e possono essere scaricate da www.axis.com/techsup

Il dispositivo può essere utilizzato con la maggior parte dei sistemi operativi e dei browser. I browser consigliati sono i seguenti:

- Internet Explorer® con Windows®
- Safari® con OS X®
- Chrome™ o Firefox® con altri sistemi operativi.

Per ulteriori informazioni sull'utilizzo del dispositivo, consultare la guida per l'utente disponibile sul sito Web www.axis.com

Al termine dell'installazione, il codificatore video AXIS Q7424-R Mk II è accessibile tramite la rete locale (LAN). Per accedere al codificatore video da Internet, è necessario configurare i router di rete per consentire il traffico in entrata, che di norma avviene su una porta specifica:

- Porta HTTP (porta predefinita 80) per la visualizzazione e la configurazione
- Porta RTSP (porta predefinita 554) per la visualizzazione di flussi video in formato H.264

Per ulteriori istruzioni, fare riferimento alla documentazione fornita col router.

Ripristino dei valori predefiniti di fabbrica

Importante

Il ripristino delle impostazioni di fabbrica deve essere usato con cautela. Un ripristino delle impostazioni di fabbrica consentirà di ripristinare le impostazioni di fabbrica per tutti i parametri, incluso l'indirizzo IP.

Nota

Gli strumenti per l'installazione e la gestione del software sono disponibili nelle pagine dedicate all'assistenza sul sito Web www.axis.com/techsup.

Per ripristinare il dispositivo alle impostazioni predefinite di fabbrica:

1. Scollegare l'alimentazione dal dispositivo.
2. Tenere premuto il pulsante di controllo e ricollegare l'alimentazione. Consultare *Panoramica dell'hardware alla pagina 60*.
3. Tenere premuto il pulsante di controllo per 15-30 secondi fino a quando l'indicatore LED di stato lampeggerà in giallo.
4. Rilasciare il pulsante di comando. Il processo è completo quando il LED di stato diventerà verde. Il dispositivo è stato reimpostato alle impostazioni di fabbrica predefinite. Se nessun server DHCP è disponibile in rete, l'indirizzo IP predefinito è 192.168.0.90.
5. Mediante gli strumenti per l'installazione e la gestione del software, assegnare un indirizzo IP, impostare la password e accedere al flusso video.

È anche possibile reimpostare i parametri alle impostazioni predefinite di fabbrica mediante l'interfaccia Web. Andare a **Setup > System Options > Maintenance (Configurazione > Opzioni di sistema > Manutenzione)** e fare clic su **Default (Predefinito)**.

Ulteriori informazioni

- Per la versione più recente di questo documento, visitare il sito all'indirizzo www.axis.com
- Il manuale per l'utente è disponibile all'indirizzo www.axis.com
- Per verificare se sono stati pubblicati aggiornamenti del firmware per il proprio dispositivo, vedere www.axis.com/support
- Per servizi di formazione utili e webinar, visita il sito www.axis.com/academy

Accessori opzionali

Per un elenco completo degli accessori disponibili per questo dispositivo, vedere www.axis.com

Specifiche tecniche

La versione più aggiornata delle specifiche tecniche è disponibile all'indirizzo www.axis.com

Indicatori LED

Nota

- Lo stato del LED può essere configurato per essere spento durante il normale funzionamento. Per configurarlo, selezionare **Setup > System Options > Ports & Devices > LED (Configurazione > Opzioni di sistema > Porte & Dispositivi > LED)**. Per ulteriori informazioni, consultare l'aiuto in linea.
- Il LED di stato può essere configurato per lampeggiare quando un evento è attivo.
- Il LED di stato può essere configurato per lampeggiare per identificare l'unità. Andare su **Setup > System Options > Maintenance (Configurazione > Opzioni di sistema > Manutenzione)**.

IT

LED di stato	Indicazione
Verde	Luce verde fissa: condizioni di normale utilizzo.
Giallo	Fisso all'avvio, durante il ripristino ai valori predefiniti di fabbrica o al ripristino delle impostazioni.
Rosso	Errore durante l'aggiornamento del firmware.

Nota

Il LED di rete può essere disattivato in modo da non lampeggiare in caso di traffico di rete. Per configurarlo, selezionare **Setup > System Options > Ports & Devices > LED (Configurazione > Opzioni di sistema > Porte & Dispositivi > LED)**. Per ulteriori informazioni, consultare l'aiuto in linea.

LED di rete	Indicazione
Verde	Luce fissa per connessione di rete a 1 Gbit/s. Luce lampeggiante: attività di rete.
Giallo	Luce fissa per connessione di rete a 10/100 Mbit/s. Luce lampeggiante: attività di rete.
Spento	Assenza di connessione.

Nota

Il LED di alimentazione può essere configurato per essere spento durante il normale funzionamento. Per configurarlo, selezionare **Setup > System Options > Ports & Devices > LED (Configurazione > Opzioni di sistema > Porte & Dispositivi > LED)**. Per ulteriori informazioni, consultare l'aiuto in linea.

LED di alimentazione	Indicazione
Verde	Normale utilizzo.
Giallo	Luce lampeggiante verde/gialla: aggiornamento firmware.

Slot per scheda SD

AWISO

- Rischio di danni alla scheda SD. Non utilizzare strumenti appuntiti o oggetti metallici e non esercitare eccessiva forza durante l'inserimento o la rimozione della scheda SD. Utilizzare le dita per inserire e rimuovere la scheda.
- Rischio di perdita di dati e danneggiamento delle registrazioni. Non rimuovere la scheda SD mentre il dispositivo è in funzione. Scollegare l'alimentazione ed effettuare l'unmount della scheda SD dalle pagine Web del dispositivo Axis prima di rimuoverla.

Questo dispositivo supporta schede di memoria SD/SDHC/SDXC (scheda di memoria non inclusa).

Per i consigli sulla scheda SD, visitare il sito Web www.axis.com.

Pulsanti

Pulsante di comando

Per l'ubicazione del pulsante di comando, vedere *Panoramica dell'hardware alla pagina 60*.

Il pulsante di comando viene utilizzato per:

- Ripristino del dispositivo alle impostazioni predefinite di fabbrica. Consultare *pagina 63*.
- Collegamento a un servizio AXIS Video Hosting System o AXIS Internet Dynamic DNS Service. Per ulteriori informazioni su questi servizi, consultare il Manuale Utente.

Connettori

Connettore di rete

Connettore Ethernet RJ45 con Power over Ethernet (PoE+).

L'unità può utilizzare una sola interfaccia di rete, un modulo SFP o un connettore RJ45. Un modulo SFP ha una priorità più alta rispetto al connettore RJ45.

AWISO

Collegare il dispositivo con un cavo di rete schermato (STP). Tutti i cavi che collegano il dispositivo alla rete sono destinati al loro uso specifico. Accertarsi che i dispositivi di rete

siano installati secondo le istruzioni del produttore. Per maggiori informazioni sui requisiti normativi, consultare *Electromagnetic Compatibility (EMC) on page 4*.

Connettore BNC

Ciascun ingresso video viene terminato con un connettore coassiale BNC.

Collegare un cavo video coassiale da 75 Ohm; la lunghezza massima consigliata è 250 metri (800 ft).

Nota

È possibile abilitare/disabilitare la terminazione da 75 Ohm per l'ingresso video tramite la pagina Web del dispositivo selezionando **Video & Audio > Camera Settings > Video termination (Video e audio > Impostazioni telecamera > Terminazione video)**. La terminazione video è abilitata per impostazione di fabbrica. Se il dispositivo è collegato in parallelo ad altre apparecchiature, è consigliabile abilitare la terminazione solo per l'ultimo dispositivo della catena del segnale video in modo da migliorarne la qualità.

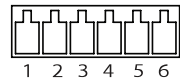
IT

Connettore I/O

Utilizzare con dispositivi esterni in combinazione con, ad esempio, allarmi antimanomissione, rilevamento movimento, attivazione di eventi e notifiche di allarme. Oltre al punto di riferimento 0 V CC e all'alimentazione (uscita CC), il connettore I/O fornisce l'interfaccia per:

- **Uscita digitale** – Per collegare dispositivi esterni come relè o LED. Le periferiche collegate possono essere attivate tramite VAPIX® API (interfaccia per la programmazione di applicazioni), tramite i pulsanti di comando della pagina Live View (Immagini dal vivo) oppure tramite l'opzione Action Rule (regola di azione). L'uscita verrà visualizzata come attiva (visualizzata in **System Options > Ports & Devices (Opzioni di Sistema > Porte e Dispositivi)**) se il dispositivo di allarme è attivato.
- **Ingresso digitale** – Ingresso allarme utilizzabile per collegare le periferiche, che può passare dal circuito chiuso al circuito aperto, ad esempio: Sensori di movimento (PIR), contatti porta/finestra, rilevatori di rottura vetri e così via. Dopo la ricezione del segnale lo stato cambia e l'ingresso diventa attivo (visualizzato in **System Options > Ports & Devices (Opzioni di Sistema > Porte e Dispositivi)**).

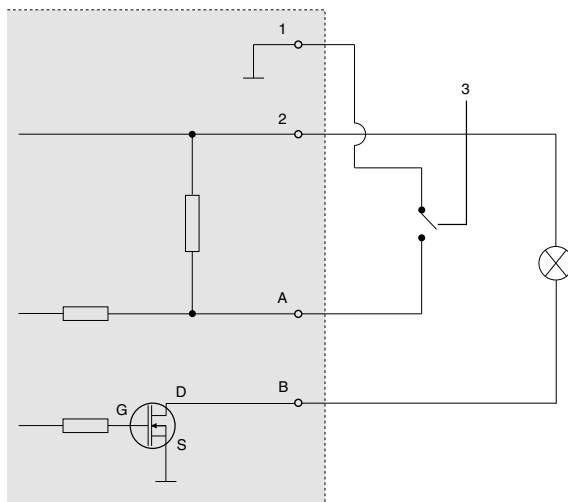
Morsettiera a 6 pin configurabile



Funzione	Pin	Note	Specifiche
0 V CC (-)	1		0 V CC

AXIS Q.7424-R Mk II Video Encoder

Uscita CC	2	Consente anche di alimentare una periferica ausiliaria. Nota: questo pin può essere usato solo come uscita alimentazione.	12 V CC Carico massimo= 125 mA
Configurabile (ingresso o uscita)	3-6	Ingresso digitale – Collegare al pin 1 per attivarlo oppure lasciarlo isolato (scollegato) per disattivarlo.	Da 0 a max 30 V CC
		Uscita digitale – Collegare al pin 1 quando attiva, isolata (scollegata) quando inattiva. Se utilizzata con un carico induttivo, ad esempio un relè esterno, è necessario collegare un diodo in parallelo al carico per proteggere il dispositivo da sovratensioni.	Da 0 a max 30 V CC, open-drain, 100 mA



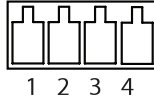
- 1 0 V CC (-)
- 2 Uscita CC 12 V, max 125 mA
- 3 Esempio: pulsante
- A I/O configurato come ingresso
- B I/O configurato come uscita

Connettore audio

Morsettiera a 4 pin per ingresso e uscita audio.

Per l'ingresso audio, il canale sinistro viene utilizzato da un segnale stereo.

Morsettiera a 4 pin per:



- Ingresso audio
- Uscita audio

Funzione	Pin	Note
Ingresso microfono/linea	1	Ingresso microfono o linea (mono). La polarizzazione del microfono può essere impostata sul valore 3 V.
GND	2	Terra
Uscita linea	3	Uscita audio linea (mono). Può essere connessa a un sistema di indirizzo pubblico (PA), oppure a un altoparlante con amplificatore integrato.
GND	4	Terra

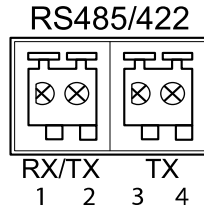
IT

Connettore RS485/RS422

Due morsettiere per l'interfaccia seriale RS485/RS422 utilizzate per il controllo di periferiche ausiliarie come i dispositivi di rotazione/inclinazione.

Due morsettiere a 2 pin per interfaccia seriale RS485/RS422. La porta seriale può essere configurata per supportare:

- RS485 a due fili, half-duplex
- RS485 a quattro fili, full-duplex
- RS422 a due fili, simplex
- Comunicazione full-duplex punto a punto con RS422 a quattro fili

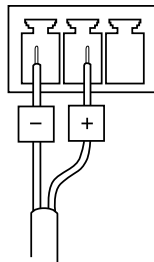


Funzione	Pin	Note
RS485/RS422 RX/TX A	1	(RX) Per RS485/RS422 full duplex (RX/TX) Per RS485 half duplex
RS485/RS422 RX/TX B	2	
RS485/RS422 TX A	3	(TX) Per RS485/RS422 full-duplex
RS485/RS422 TX B	4	

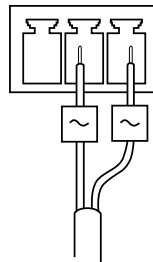
Connettore di alimentazione

Morsetteria a 3 pin per ingresso alimentazione. Utilizzare una sorgente di alimentazione limitata (LPS) compatibile con una bassissima tensione di sicurezza (SELV) con una potenza di uscita nominale limitata a ≤ 100 W o una corrente nominale di uscita limitata a ≤ 5 A.

Ingresso alimentazione CC



Ingresso alimentazione CA



Consumo elettrico

Power over Ethernet (PoE) classe 3	max 12,95 W
Ingresso alimentazione CA, 20-24 VCA	max 14 VA
Ingresso alimentazione CC, 8-28 VCC	max 10 W

Informazioni di sicurezza

Leggere con attenzione questa guida all'installazione prima di installare il dispositivo. Conservare questo documento per usi futuri.

Livelli di pericolo

▲PERICOLO

Indica una situazione pericolosa che, se non evitata, provoca morte o lesioni gravi.

▲AVVERTENZA

Indica una situazione pericolosa che, se non evitata, potrebbe provocare la morte o lesioni gravi.

▲ATTENZIONE

Indica una situazione pericolosa che, se non evitata, potrebbe provocare lesioni medie o minori.

AVVISO

Indica una situazione che, se non evitata, potrebbe danneggiare la proprietà.

Altri livelli di messaggio

Importante

Indica informazioni importanti, essenziali per il corretto funzionamento del dispositivo.

Nota

Indica informazioni utili che aiutano a ottenere il massimo dal dispositivo.

Informazioni di sicurezza

AWISO

- Il dispositivo Axis deve essere utilizzato in conformità alle leggi e alle disposizioni locali.
- Per utilizzare il dispositivo Axis in ambienti esterni, o in ambienti simili, deve essere installato in una custodia per esterni approvata.
- Conservare il dispositivo Axis in un ambiente asciutto e ventilato.
- Evitare di esporre il dispositivo Axis a urti o pressioni eccessive.
- Non installare il dispositivo su supporti, superfici, pareti o pali instabili.
- Utilizzare solo strumenti applicabili quando si installa il dispositivo Axis. Se si utilizza una forza eccessiva con strumenti non adatti è possibile causare danni al dispositivo.
- Non utilizzare sostanze chimiche, agenti caustici o detergenti aerosol.
- Utilizzare un panno pulito inumidito in acqua pura per la pulizia.
- Utilizzare solo accessori compatibili con le specifiche tecniche del dispositivo. Questi possono essere forniti da Axis o da terze parti.
- Utilizzare solo parti di ricambio fornite o consigliate da Axis.
- Non tentare di riparare il dispositivo da soli. Contattare l'assistenza o il rivenditore Axis per questioni relative alla manutenzione.
- L'alimentazione sarà collegata alla presa installata vicino al dispositivo e sarà facilmente accessibile.
- Utilizzare una sorgente di alimentazione limitata (LPS) sia con una potenza di uscita nominale limitata a ≤ 100 W o una corrente nominale di uscita limitata a ≤ 5 A.

Trasporto

AWISO

- Durante il trasporto del dispositivo Axis, utilizzare l'imballaggio originale o equivalente per evitare danni al dispositivo.

Batteria

Il dispositivo Axis utilizza una batteria al litio da 3,0 V BR2032 come alimentazione per il suo real-time clock (RTC) interno. In condizioni normali questa batteria avrà una durata minima di cinque anni.

Una bassa carica della batteria influisce sul funzionamento del RTC, facendolo resettare a ogni accensione. Quando la batteria deve essere sostituita, un messaggio di registro viene visualizzato nel report server del dispositivo. Per ulteriori informazioni sul report server, vedere le pagine di configurazione del dispositivo o contattare l'assistenza Axis.

La batteria non deve essere sostituita se non richiesto, ma nel caso in cui questo fosse necessario, contattare il supporto Axis all'indirizzo www.axis.com/techsup per assistenza.

Batteria a bottone al litio 3,0 V contengono 1,2-dimetossietano; etere dimetilico di glicole etilenico (EGDME), CAS n. 110-71-4.

⚠AVVERTENZA

- Rischio di esplosione se la batteria viene sostituita in modo errato.
- Sostituire solo con una batteria identica o una batteria consigliata da Axis.
- Smaltire le batterie usate in base alle normative locali o alle istruzioni del produttore della batteria.

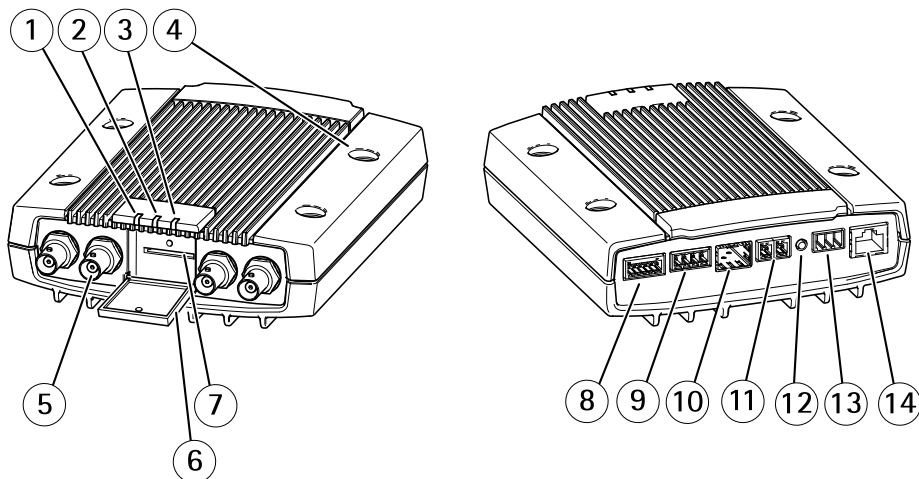
Contenido del paquete

- Codificador de vídeo AXIS Q7424-R Mk II
- Kit de montaje
 - 4 almohadillas de protección para superficie
 - Conectores de bloque de terminales (E/S: conector de 6 pines, RS485/RS422: 2 conectores de 2 pines; alimentación: conector de 3 pines, audio: conector de 4 pines)
 - Llave Allen (llave hexagonal) para el tornillo de la tapa de la SD a prueba de manipulaciones
- Materiales impresos:
 - Guía de instalación (este documento)

AXIS Q7424-R Mk II Video Encoder

Información general del hardware

Para conocer las especificaciones de los componentes del hardware, vea *Especificaciones técnicas* en la página 81.



- 1 LED indicador de Alimentación
- 2 LED indicador de Estado
- 3 LED indicador de Red
- 4 Orificios de montaje
- 5 Conectores de entrada de vídeo
- 6 Tapa de la tarjeta de memoria SD
- 7 Ranura de la tarjeta de memoria SD
- 8 Conector de E/S
- 9 Conectores de audio
- 10 Conector SFP
- 11 Conector RS485/RS422
- 12 Botón de control
- 13 Conector de alimentación
- 14 Conector de red (PoE)

Cómo instalar el producto

Montaje del codificador de vídeo

El AXIS Q7424-R Mk II se puede colocar de forma sencilla sobre una superficie plana o montado. Consulte *Información general del hardware en la página 76*.

1. Perfore las almohadillas protectoras y péguelas debajo del codificador de vídeo para evitar que se arañe la superficie donde lo coloque.
2. Apoye el codificador de vídeo contra la pared y marque los cuatro orificios de montaje.
3. Taladre los cuatro orificios de montaje.
4. Coloque el codificador en la pared utilizando los tornillos apropiados para el material de la pared.

Conecte los cables e inserte la tarjeta de memoria SD

ES

1. Conecte el codificador a la red mediante un cable de red blindado o un módulo SFP. Si se utiliza PoE, vea la siguiente nota.
2. Si lo desea, conecte dispositivos de entrada/salida externos, como dispositivos de alarma. Para obtener información sobre los pines del conector del terminal, vea *Conectores en la página 82*.
3. Si lo desea, conecte un altavoz activo y/o un micrófono externo.
4. Conecte las cámaras a las entradas de vídeo.
5. Si alimenta la unidad con una entrada de CC o CA, conecte una fuente de alimentación externa. Vea la siguiente nota.
6. Compruebe que los indicadores LED indican las condiciones correctas. Consulte *Indicadores LED en la página 81* para conocer detalles.
7. Si es preciso, introduzca una tarjeta de memoria SD y fije la tapa de la tarjeta de memoria SD con la llave Allen proporcionada.

Nota

- La unidad puede recibir alimentación mediante una entrada de alimentación de CC o AC o de PoE.
- Si se alimenta la unidad con CC o CA, conecte la fuente de alimentación al conector de alimentación situado en la parte posterior de la unidad.
- Si alimenta la unidad mediante PoE, conecte un cable de red PoE.
- A fin de cumplir los requisitos de seguridad, no utilice alimentación de CA para la instalación en exteriores.
- Si se utiliza un SFP, introduzca un módulo SerDes de SFP de 100 Mbps/1 Gbps en la ranura SFP.
- La unidad solo puede utilizar una interfaz de red, ya sea a través de un módulo SFP o de un conector RJ45. El módulo SFP tiene mayor prioridad que el conector RJ45.

Acceso al producto

Se recomiendan AXIS IP Utility y AXIS Camera Management como métodos para buscar los productos de Axis en la red y asignarles direcciones IP en Windows®. Ambas aplicaciones son gratuitas y pueden descargarse de www.axis.com/techsup

El producto se puede utilizar con la mayoría de los sistemas operativos y navegadores. Los navegadores recomendados son:

- Internet Explorer® con Windows®
- Safari® con OS X®
- Chrome™ o Firefox® con otros sistemas operativos.

Para obtener más información sobre el uso del producto, consulte el manual del usuario, disponible en www.axis.com.

Una vez instalado, puede acceder a AXIS Q7424-R Mk II en su red local (LAN). Para acceder al codificador de vídeo desde Internet, deben configurarse los routers de red para permitir el tráfico entrante, que normalmente se realiza en un puerto específico.

- Puerto HTTP (puerto 80 predeterminado) para visualización y configuración
- Puerto RTSP (puerto 554 predeterminado) para ver transmisiones de vídeo H.264

Consulte la documentación suministrada con el router para obtener más instrucciones.

Restablecimiento a la configuración predeterminada de fábrica

Importante

Hay que tener cuidado al restablecer la configuración predeterminada de fábrica. Todos los valores, incluida la dirección IP, se restablecerán a la configuración predeterminada de fábrica.

Nota

Las herramientas del software de instalación y gestión están disponibles en las páginas de asistencia técnica en www.axis.com/techsup.

Para restablecer el producto a la configuración predeterminada de fábrica:

1. Desconecte la alimentación del producto.
2. Mantenga pulsado el botón de control y vuelva a conectar la alimentación. Vea *Información general del hardware en la página 76*.
3. Mantenga pulsado el botón de control durante 15-30 segundos hasta que el indicador LED de estado parpadee en ámbar.
4. Suelte el botón de control. El proceso finaliza cuando el indicador LED de estado se pone verde. El producto se ha restablecido a la configuración predeterminada de fábrica. Si no hay ningún servidor DHCP disponible en la red, la dirección IP predeterminada es 192.168.0.90.
5. Utilice las herramientas del software de instalación y gestión para asignar una dirección IP, establecer la contraseña y acceder a la transmisión de vídeo.

También es posible restablecer los parámetros a los valores predeterminados de fábrica mediante la interfaz web. Vaya a **Setup > System Options > Maintenance (Configuración > Opciones del sistema > Mantenimiento)** y haga clic en **Default (Predeterminado)**.

Más información

- Para consultar la versión más reciente de este documento, vaya a www.axis.com
- El manual de usuario se encuentra disponible en www.axis.com.
- Para comprobar si existe un firmware actualizado disponible para su producto de red, vaya a www.axis.com/support
- Para consultar seminarios web y cursos en línea que pueden resultarle útiles, vaya a www.axis.com/academy

Accesorios opcionales

Para conocer una lista completa de los accesorios disponibles para este producto, vea www.axis.com

Especificaciones técnicas

Puede encontrar la versión más reciente de las especificaciones técnicas en www.axis.com

Indicadores LED

Nota

- Se puede configurar el LED de estado para que se apague durante el funcionamiento normal. Para ello, vaya a **Setup > System Options > Ports & Devices > LED (Configuración > Opciones del sistema > Puertos y dispositivos > LED)**. Vea la ayuda en línea para obtener más información.
- Se puede configurar el LED Estado para que parpadee mientras haya un evento activo.
- Se puede configurar el LED de estado para que parpadee e identifique la unidad. Vaya a **Setup > System Options > Maintenance (Configuración > Opciones del sistema > Mantenimiento)**.

ES

LED de estado	Indicación
Verde	Fijo para indicar un funcionamiento normal.
Ámbar	Fijo durante el inicio, durante el restablecimiento de los ajustes predeterminados de fábrica o al restablecer la configuración.
Rojo	Error durante la actualización del firmware.

Nota

El LED de red puede desactivarse para que no parpadee cuando exista tráfico de red. Para ello, vaya a **Setup > System Options > Ports & Devices > LED (Configuración > Opciones del sistema > Puertos y dispositivos > LED)**. Vea la ayuda en línea para obtener más información.

LED de red	Indicación
Verde	Fijo para indicar una conexión a una red de 1 Gbits/s. Parpadea cuando hay actividad de red.
Ámbar	Fijo para indicar una conexión a una red de 10/100 Mbits/s. Parpadea cuando hay actividad de red.
Apagado	No hay conexión a la red.

Nota

Se puede configurar el indicador LED de alimentación para que se apague durante el funcionamiento normal. Para ello, vaya a **Setup > System Options > Ports & Devices > LED (Configuración > Opciones del sistema > Puertos y dispositivos > LED)**. Vea la ayuda en línea para obtener más información.

AXIS Q7424-R Mk II Video Encoder

LED de alimentación	Indicación
Verde	Funcionamiento normal.
Ámbar	Parpadea en verde/ámbar durante la actualización del firmware.

Ranura para tarjetas SD

AVISO

- Riesgo de daños en la tarjeta SD. No utilice herramientas afiladas, objetos de metal ni ejerza demasiada fuerza al insertar o extraer la tarjeta SD. Utilice los dedos para insertar o extraer la tarjeta.
- Riesgo de pérdida de datos y grabaciones dañadas. No extraiga la tarjeta SD mientras el producto esté en funcionamiento. Desconecte la corriente o desinstale la tarjeta SD desde las páginas web de producto de Axis antes de retirarla.

Este producto admite tarjetas SD/SDHC/SDXC (no incluidas).

Para conocer las recomendaciones de tarjeta SD, consulte www.axis.com.

Botones

Botón de control

Para conocer la ubicación del botón de control, vea *Información general del hardware en la página 76*.

El botón de control se utiliza para lo siguiente:

- Restablecer el producto a la configuración predeterminada de fábrica. Consulte *página 79*.
- Conectarse a un servicio AXIS Video Hosting System o al Servicio de DNS dinámico de Internet de AXIS. Para obtener más información sobre estos servicios, consulte el Manual del usuario.

Conectores

Conector de red

Conector Ethernet RJ45 con alimentación a través de Ethernet (PoE).

La unidad solo puede utilizar una interfaz de red, ya sea un módulo SFP o un conector RJ45. El módulo SFP tiene mayor prioridad que el conector RJ45.

AVISO

El producto se conectará mediante un cable de red blindado (STP). Todos los cables que conecten el producto a la red deberán estar blindados para su uso específico. Asegúrese de que los dispositivos de red estén instalados de conformidad con las instrucciones del fabricante. Para obtener información sobre los requisitos normativos, vea *Electromagnetic Compatibility (EMC) on page 4*.

Conector BNC

Todas las entradas de vídeo se terminan con un conector coaxial/BNC.

Conecte un cable de vídeo coaxial de 75 ohmios; la longitud máxima recomendada es de 250 m.

Nota

Se puede activar o desactivar una terminación de vídeo de 75 ohmios para la entrada de vídeo a través de la página web del producto **Vídeo & Audio > Camera Settings > Video termination (Vídeo y audio > Configuración de la cámara > Terminación de vídeo)**. La terminación de vídeo se activa con la configuración predeterminada de fábrica. Para obtener una calidad de vídeo óptima cuando el producto se vaya a conectar en paralelo con otros equipos, se recomienda activar la terminación de vídeo solo para el último dispositivo de la cadena de señales de vídeo.

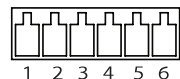
ES

Conector de E/S

Se utiliza con dispositivos externos en combinación con, por ejemplo, alarmas antimanipulación, detección de movimiento, activación de eventos y notificaciones de alarma. Además del punto de referencia de 0 V CC y la potencia (salida de CC), el conector de E/S ofrece la interfaz para:

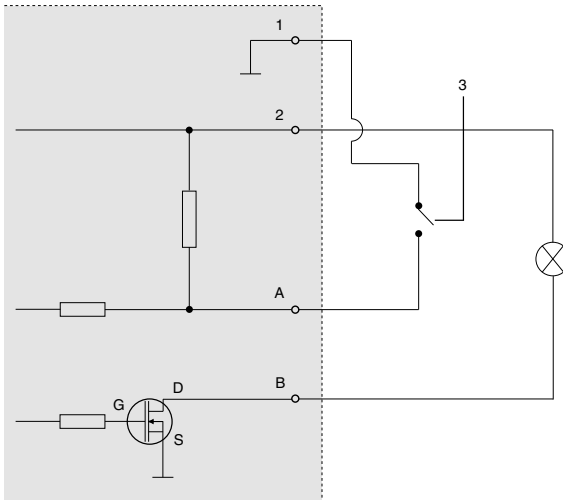
- **Salida digital:** para conectar dispositivos externos como relés y LED. Los dispositivos conectados se pueden activar mediante la Interfaz de programación de aplicaciones (API) VAPIX®, los botones de salida de la página Live View o mediante una regla de acción. La salida se mostrará activa (se indica en **System Options > Ports & Devices (Opciones del sistema > Puertos y dispositivos)**) si el dispositivo de alarma está activado.
- **Entrada digital:** una entrada de alarma para conectar dispositivos que puedan alternar circuitos cerrados y abiertos, como detectores PIR, contactos de puertas y ventanas, detectores de rotura de cristales, etc. Cuando se recibe una señal, el estado cambia y la entrada se vuelve activa (se indica en **System Options > Ports & Devices (Opciones del sistema > Puertos y dispositivos)**).

Bloque de terminales configurable de 6 pines



AXIS Q7424-R Mk II Video Encoder

Función	Pin	Notas	Especificaciones
0 V CC (-)	1		0 V CC
Salida de CC	2	Se puede utilizar para conectar el equipo auxiliar. Nota: Este pin solo se puede utilizar como salida de alimentación.	12 V CC Carga máx. = 125 mA
Configurable (entrada o salida)	3-6	Entrada digital: conectar al pin 1 para activarla o dejarla suelta (desconectada) para desactivarla.	0 a 30 V CC máx.
		Salida digital: Conectada al pin 1 cuando se activa, suelta (sin conectar) cuando está desactivada. Si se utiliza con una carga inductiva (por ejemplo, un relé), debe conectarse un diodo en paralelo a la carga como protección ante transitorios de tensión.	De 0 a 30 V CC máx., colector abierto, 100 mA



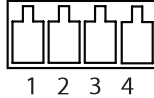
- 1 0 V CC (-)
- 2 Salida de CC 12 V, 125 mA máx.
- 3 Ejemplo: botón pulsador
- A E/S configurada como entrada
- B E/S configurada como salida

Conector de audio

Bloque de terminales de 4 pines para entrada y salida de audio.

En el caso de la entrada de audio, se utiliza el canal izquierdo de una señal estéreo.

Bloque de terminales de 4 pines para:



- Entrada de audio
- Salida de audio

Función	Pin	Notas
Entrada de línea/micrófono	1	Entrada de línea o micrófono (mono). Dispone de la alimentación de 3V para el micrófono.
GND	2	Tierra
Salida de línea	3	Salida de audio de nivel de línea (mono). Puede conectarse a un sistema de megafonía pública o a un altavoz con amplificador incorporado.
GND	4	Tierra

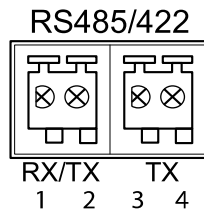
ES

Conector RS485/RS422

Dos bloques de terminales para la interfaz serie RS485/RS422 usada para controlar equipos auxiliares, como dispositivos de movimiento horizontal/vertical.

Dos bloques de terminales de 2 pines para la interfaz serie RS485/RS422. El puerto serie puede configurarse para admitir:

- Semidúplex RS485 de dos cables
- Dúplex completo RS485 de cuatro cables
- Simplex RS422 de dos cables
- Dúplex completo RS422 de cuatro cables para comunicación dúplex punto a punto



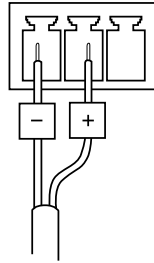
AXIS Q7424-R Mk II Video Encoder

Función	Pin	Notas
RS485/RS422 RX/TX A	1	(RX) para dúplex completo RS485/RS422 (RX/TX) para semidúplex RS485
RS485/RS422 RX/TX B	2	
RS485/RS422 TX A	3	(TX) para dúplex completo RS485/RS422
RS485/RS422 TX B	4	

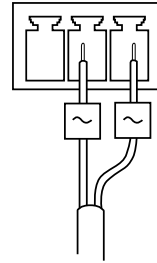
Conector de alimentación

Bloque de terminales de 3 pines para la entrada de alimentación. Use una fuente de alimentación limitada (LPS) que cumpla los requisitos de seguridad de baja tensión (SELV) con una potencia nominal de salida limitada a ≤ 100 W o una corriente nominal de salida limitada a ≤ 5 A.

Entrada de alimentación de CC



Entrada de alimentación de CA



Consumo de energía

Alimentación a través de Ethernet (PoE) clase 3	12,95 W máx.
Entrada de alimentación de CA de 20-24 V CA	14 VA máx.
Entrada de alimentación de CC de 8-28 V CC	10 W máx.

Información de seguridad

Lea esta Guía de instalación con atención antes de instalar el producto. Guarde la Guía de instalación para poder consultarla en otro momento.

Niveles de peligro

▲PELIGRO

Indica una situación peligrosa que, si no se evita, provocará lesiones graves o la muerte.

▲ADVERTENCIA

Indica una situación peligrosa que, si no se evita, puede provocar lesiones graves o la muerte.

▲ATENCIÓN

Indica una situación peligrosa que, si no se evita, puede provocar lesiones moderadas o leves.

AVISO

Indica una situación peligrosa que, si no se evita, puede provocar daños materiales.

ES

Otros niveles de mensaje

Importante

Indica información importante que es fundamental para que el producto funcione correctamente.

Nota

Indica información útil que ayuda a aprovechar el producto al máximo.

Instrucciones de seguridad

AVISO

- El producto de Axis debe utilizarse de acuerdo con las leyes y normativas locales.
- Para usar el producto de Axis en exteriores, o en entornos similares, debe instalarse en una carcasa exterior aprobada.
- Almacene el producto de Axis en un entorno seco y ventilado.
- Evite la exposición del producto de Axis a choques o a una fuerte presión.
- No instale el producto en postes, soportes, superficies o paredes inestables.
- Utilice solo las herramientas correspondientes cuando instale el producto de Axis. La aplicación de una fuerza excesiva con herramientas eléctricas puede provocar daños en el producto.
- No utilice limpiadores en aerosol, agentes cáusticos ni productos químicos.
- Limpie con un paño limpio humedecido con agua pura.
- Utilice solo accesorios que cumplan con las especificaciones técnicas del producto. Estos accesorios los puede proporcionar Axis o un tercero.
- Utilice solo piezas de repuesto proporcionadas o recomendadas por Axis.
- No intente reparar el producto usted mismo. Póngase en contacto con el servicio de asistencia técnica de Axis o con su distribuidor de Axis para tratar asuntos de reparación.
- La fuente de alimentación se enchufará a una toma de conector instalada cerca del producto y a la que se podrá acceder fácilmente.
- Use una fuente de alimentación limitada (LPS) con una potencia nominal de salida limitada a ≤ 100 W o una corriente nominal de salida limitada a ≤ 5 A.

Transporte

AVISO

- Cuando transporte el producto de Axis, utilice el embalaje original o un equivalente para evitar daños en el producto.

Batería

Este producto de Axis utiliza una batería de litio BR2032 de 3,0 V como fuente de alimentación del reloj interno en tiempo real. En condiciones normales, esta batería durará un mínimo de cinco años.

Un nivel bajo de batería afectará al funcionamiento del reloj en tiempo real, lo que provocará el restablecimiento de este cada vez que se encienda el producto. Cuando sea necesario sustituir la batería, aparecerá un mensaje de registro en el informe del servidor del producto. Para obtener más información sobre el informe del servidor, consulte las páginas de configuración del producto o póngase en contacto con el servicio de asistencia técnica de Axis.

La batería no debe sustituirse a menos que sea necesario; no obstante, si precisa hacerlo, póngase en contacto con el servicio de asistencia técnica de Axis en www.axis.com/techsup para solicitar ayuda.

Las pilas de botón de litio de 3,0 V contienen 1,2-dimetoxietano; éter dimetilico de etilenglicol (EGDME), n.º CAS 110-71-4.

⚠ADVERTENCIA

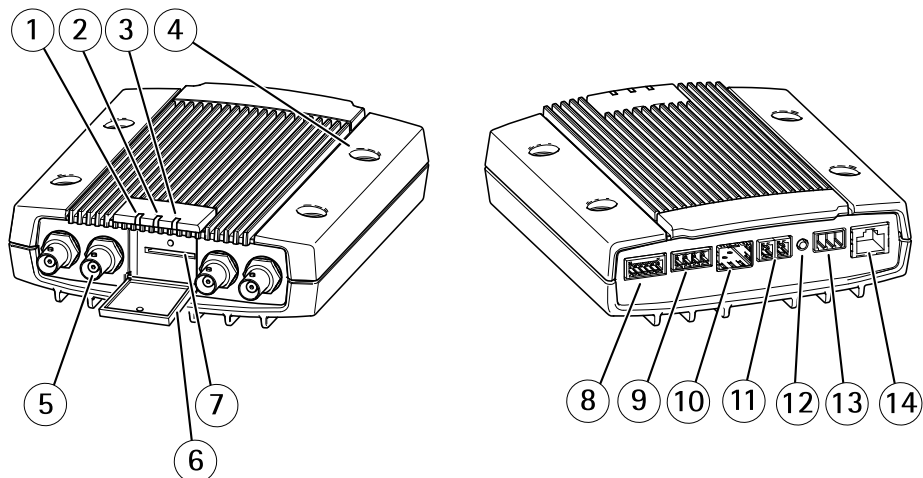
- La sustitución incorrecta de la batería implica riesgo de explosión.
- Sustituya la batería por una batería idéntica u otra batería recomendada por Axis.
- Deseche las baterías usadas de conformidad con la normativa local o las instrucciones del fabricante.

パッケージの内容

- AXIS Q7424-R Mk II ビデオエンコーダ
- 取り付けキット
 - 表面保護パッド×4
 - ターミナルブロックコネクタ (I/O: 6ピンコネクタ、RS485/RS422: 2ピンコネクタ×2、電源: 3ピンコネクタ、音声: 4ピンコネクタ)
 - 不正防止SD蓋止めネジ用六角レンチ
- 印刷物:
 - インストールガイド (本書)

ハードウェアの概要

ハードウェアコンポーネントの仕様については、97ページの、技術仕様を参照してください。



- 1 LEDインジケータ (電源)
- 2 LEDインジケータ (ステータス)
- 3 LEDインジケータ (ネットワーク)
- 4 取り付け穴
- 5 ビデオ入力コネクタ
- 6 SDメモリーカードの蓋
- 7 SDメモリーカードスロット
- 8 I/Oコネクタ
- 9 音声コネクタ
- 10 SFPコネクタ
- 11 RS485/RS422コネクタ
- 12 コントロールボタン
- 13 電源コネクタ
- 14 ネットワークコネクタ (PoE)

製品の取り付け方法

ビデオエンコーダの取り付け

AXIS Q7424-R Mk IIは、単に平らな面に置くことも、ラックや壁に取り付けることもできます。92ページの、ハードウェアの概要を参照してください。

1. 保護パッドをくりぬき、ビデオエンコーダの底面に貼り付けて、ビデオエンコーダを設置する面に傷が付かないようにします。
2. ビデオエンコーダを壁に据えて、4つの取り付け穴の印を付けます。
3. ドリルで取り付け穴を4つ開けます。
4. 壁の材質に適したネジを使用して、エンコーダを壁に取り付けます。

ケーブルを接続し、SDメモリーカードを装着します。

1. シールドネットワークケーブルやSFPモジュールを使用して、エンコーダをネットワークに接続します。PoEを使用する場合は、下記の注を参照してください。
2. 必要に応じて、アラームデバイスなどの外部入力/出力装置を接続します。ターミナルコネクタのピンの詳細については、99ページの、コネクタを参照してください。
3. 必要に応じて、アクティブスピーカー、外部マイクを接続します。
4. カメラをビデオ入力に接続します。
5. ACまたはDC入力力でユニットに電力を供給する場合は、外部電源を接続します。下記の注を参照してください。
6. LEDインジケータが正常な状態を示すことを確認します。詳細については、97ページの、LEDインジケータを参照してください。
7. 必要に応じてSDメモリーカードを挿入し、付属の六角レンチを使用してSDメモリーカードの蓋を固定します。

JA

注意

- 本製品には、AC電源、DC電源入力、またはPoEを使用して給電を行うことができます。
- DCまたはAC電源からユニットに電力を供給する場合は、ユニットの背面にある電源コネクタに電源装置を接続します。
- PoEでユニットに電力を供給する場合は、PoEネットワークケーブルを接続します。
- 安全要件を満たすために、屋外設置でAC電源を使用しないでください。
- SFPを使用する場合は、100Mbps/1Gbps SFP SerDesモジュールをSFPスロットに挿入します。

- 本製品では、ネットワークインターフェースとして、SFPモジュール、RJ45コネクターのどちらかのみを使用できます。SFPモジュールは、RJ45コネクターに優先します。

製品へのアクセス

ネットワーク上でAxis製品を検索したり、Windows®でそれにIPアドレスを割り当てるには、AXIS IP UtilityまたはAXIS Camera Managementの使用をお勧めします。いずれのアプリケーションも無料で、www.axis.com/techsuppからダウンロードできます

本製品は、ほとんどのオペレーティングシステムとブラウザでご利用いただけます。推奨ブラウザは以下のとおりです。

- Internet Explorer® (Windows®の場合)
- Safari® (OS X®の場合)
- Chrome™またはFirefox® (その他のオペレーティングシステムの場合)

製品の使用の詳細については、Axisのホームページ (www.axis.com) でユーザーズマニュアルを参照してください

インストールが完了すると、お使いのローカルネットワーク (LAN) でAXIS Q7424-R Mk IIにアクセスできるようになります。インターネットを経由してビデオエンコーダにアクセスする場合は、受信トラフィックを受け入れるようネットワークルーターを設定する必要があります (通常は特定のポートで行います)。

- HTTP ポート (デフォルトではポート80) - 表示、設定に使用
- RTSPポート (デフォルトではポート554) - H.264ビデオストリームの表示に使用

詳細な手順については、ルーターに付属しているドキュメントを参照してください。

工場出荷時の設定にリセットする

重要

工場出荷時の設定へのリセットは慎重に行ってください。工場出荷時の設定へのリセットを行うと、IPアドレスを含むすべての設定が工場出荷時の値にリセットされます。

注意

www.axis.com/techsupのサポートページに、インストール・管理ソフトウェアツールが用意されています。

本製品を工場出荷時の設定にリセットするには、以下の手順を実行します。

1. 本製品の電源を切ります。
2. コントロールボタンを押し続けながら電源を再投入します。「92ページの、ハードウェアの概要」を参照してください。
3. ステータスLEDインジケーターが黄色に点滅するまで、コントロールボタンを15～30秒間押し続けます。
4. コントロールボタンを離します。プロセスが完了すると、ステータスLEDが緑色に変わります。これで本製品は工場出荷時の設定にリセットされました。ネットワーク上に利用可能なDHCPサーバーがない場合、デフォルトのIPアドレスは192.168.0.90になります。
5. インストール・管理ソフトウェアツールを使用して、IPアドレスの割り当て、パスワードの設定、ビデオストリームへのアクセスを行います。

JA

Webインターフェースを使用して、各種パラメーターを工場出荷時の設定に戻すこともできます。**[設定 > システムオプション > 保守]**を選択し、**[デフォルト]**をクリックします。

関連情報

- 本書の最新バージョンについては、www.axis.comにアクセスしてください。
- ユーザーズマニュアルは、www.axis.comで入手できます。
- ご使用の製品の新しいファームウェアがリリースされていないかを確認するには、www.axis.com/supportにアクセスしてください。
- 役に立つオンライントレーニングおよびWebセミナーをご用意しております。www.axis.com/academyをご覧ください。

オプションアクセサリー

本製品で利用可能なすべてのアクセサリーについては、www.axis.comを参照してください

技術仕様

最新バージョンの技術仕様については、Axisのホームページ (www.axis.com) を参照してください

LEDインジケータ

注意

- ステータスLEDは、正常動作時に消灯させることができます。設定は、**[Setup - System Options - Ports & Devices - LED] (設定 - システムオプション - ポートとデバイス - LED)** で行います。詳細については、オンラインヘルプを参照してください。
- ステータスLEDは、イベントの発生時に点滅させることができます。
- ステータスLEDを点滅させ、本製品を識別できるように設定することができます。設定は、**[Setup - System Options - Maintenance] (設定 - システムオプション - 保守)** で行います。

ステータスLED	説明
緑	正常動作であれば緑色に点灯します。
黄	起動中または工場出荷時の設定へリセット中、設定の復元時に黄色に点灯します。
赤	ファームウェアのアップグレード失敗。

JA

注意

ネットワークLEDは、ネットワークトラフィックがあるときに点滅しないように無効にすることができます。設定は、**[Setup - System Options - Ports & Devices - LED] (設定 - システムオプション - ポートとデバイス - LED)** で行います。詳細については、オンラインヘルプを参照してください。

ネットワークLED	説明
緑	1Gbit/sネットワークに接続している場合、点灯します。ネットワークパケットを送受信した場合、点滅します。
黄	10/100 Mbit/sネットワークに接続している場合、点灯します。ネットワークパケットを送受信した場合、点滅します。
無点灯	ネットワーク接続なし。

AXIS Q7424-R Mk II Video Encoder

注意

電源LEDは、正常動作時に消灯させることができます。設定は、[Setup - System Options - Ports & Devices - LED] (設定 - システムオプション - ポートとデバイス - LED) で行います。詳細については、オンラインヘルプを参照してください。

電源LED	説明
緑	正常動作。
黄	ファームウェアアップグレード中は緑と黄の交互点滅。

SDカードスロット

注記

- SDカード損傷の危険があります。SDカードの挿入と取り外しの際には、鋭利な工具や金属性の物を使用したり、過剰な力をかけないでください。カードの挿入や取り外しは指で行ってください。
- データ損失や録画データ破損の危険があります。本製品の稼働中はSDカードを取り外さないでください。取り外しの前に電源を切るか、Axis製品のWebページからSDカードをマウント解除してください。

本製品は、SD/SDHC/SDXCカードに対応しています (別売)。

推奨するSDカードについては、www.axis.comを参照してください

ボタン

コントロールボタン

コントロールボタンの位置については、92ページの、ハードウェアの概要を参照してください。

コントロールボタンは、以下の用途で使用します。

- 製品を工場出荷時の設定にリセットする。95ページを参照してください。
- AXIS Video Hosting SystemサービスまたはAXIS Internet Dynamic DNSサービスに接続する。これらのサービスの詳細については、ユーザーズマニュアルを参照してください。

コネクタ

ネットワークコネクタ

RJ45イーサネットコネクタ、Power over Ethernet (PoE) 対応。

本製品では、ネットワークインターフェースとして、SFPモジュール、RJ45コネクタのどちらかのみを使用できます。SFPモジュールは、RJ45コネクタに優先します。

注記

本製品は、シールドネットワークケーブル (STP) を使用して接続してください。本製品は、用途に合ったケーブルを使用してネットワークに接続してください。ネットワーク装置がメーカーの指示どおりに設置されていることを確認します。法的要件については、*Electromagnetic Compatibility (EMC) on page 42* ページの電波に関する適合性 (EMC) を参照してください。

BNCコネクタ

各ビデオ入力は、同軸/BNCコネクタを使用して終端します。

75Ω同軸ビデオケーブルを使用し、ケーブル長は250 m以下にすることを勧めます。

注意

ビデオ入力の75Ωビデオ終端は、本製品の設定ページの **[Video & Audio] (ビデオと音声) - [Camera Settings] (カメラ設定) - [Video termination] (ビデオ終端)** で有効または無効にすることができます。ビデオ終端は、工場出荷時に有効になっています。本製品を別の装置と並列に接続する場合、最適な画質を得るため、ビデオ信号チェーンの最後のデバイスのみビデオ終端を有効にすることを勧めます。

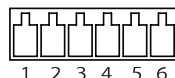
I/Oコネクタ

外部装置を接続し、カメラに対するいたずらの警報、動体検知、イベントトリガー、アラーム通知などを使用することができます。I/Oコネクタは、0V DC基準点と電力 (DC出力) に加えて、以下のインターフェースを提供します。

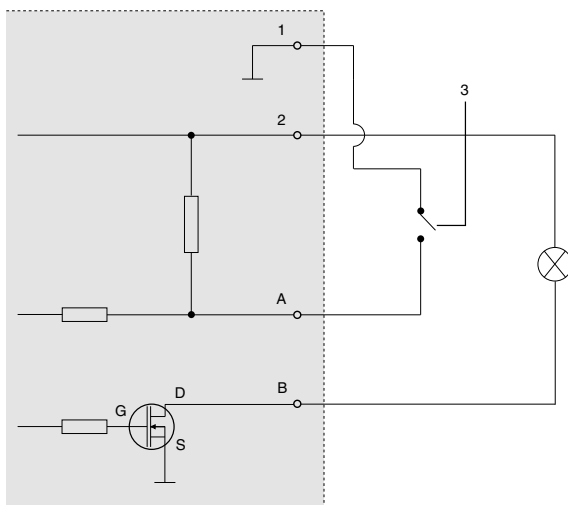
- デジタル出力** — リレーやLEDなどの外部デバイスを接続します。接続されたデバイスは、VAPIX®アプリケーションプログラミングインターフェース (API)、[Live View] (ライブビュー) ページの出力ボタン、アクションルールを使用してアクティブにすることができます。アラームデバイスがアクティブな場合、出力がアクティブと表示されます (**System Options > Port & Devices (システムオプション > ポートとデバイス)** で表示)。
- デジタル入力** — オープンサーキットとクローズサーキットの切り替えが可能なデバイスを接続するためのアラーム入力。たとえば、PIR、ドア/窓の接触、ガラス破壊検知などです。信号を受取ると状態が変化し、入力がactiveになります (**システムオプション > ポートとデバイス**) で表示)。

AXIS Q7424-R Mk II Video Encoder

設定可能な6ピンターミナルブロック



機能	ピン	備考	仕様
0 V DC (-)	1		0 V DC
DC出力	2	補助装置の電源供給に使用できます。 注: このピンは、電源出力としてのみ使用できます。	12 V DC 最大負荷 = 125 mA
設定可能 (入力または出力)	3-6	デジタル入力 - 動作させるにはピン1に接続し、動作させない場合はフロート状態 (未接続) のままにします。	0~30 V DC (最大)
		デジタル出力 - 動作させるにはピン1に接続し、動作させない場合はフロート状態 (未接続) にします。誘導負荷 (例: リレー) とともに使用する場合は、過渡電圧から保護するため、ダイオードを負荷と並列に接続する必要があります。	0~30 V DC (最大)、 オープンドレイン、 100 mA



- 1 0 V DC (-)
- 2 DC出力12 V、最大125 mA
- 3 例: プッシュボタン

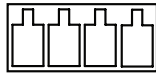
- A I/O (入力として設定)
- B I/O (出力として設定)

音声コネクタ

音声入出力用4ピンターミナルブロック。

音声入力には、ステレオ信号の左チャンネルが使用されます。

4ピンターミナルブ
ロック:



- 音声入力
- 音声出力

機能	ピン	備考
マイクロフォン/ ライン入力	1	マイクロフォンまたはライン入力(モノラル)。3Vマイク ロフォンバイアスを選択可能。
GND	2	グラウンド
ライン出力	3	ラインレベル音声出力(モノラル)。パブリックアドレ ス (PA) システムまたはアンプ内蔵アクティブスピー カーに接続可能。
GND	4	グラウンド

JA

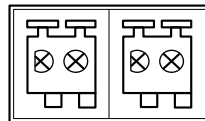
RS485/RS422 コネクタ

パン/チルトデバイスなど補助装置の制御に使用する、RS485/RS422シリアルイン
ターフェイス用のターミナルブロック×2

RS485/RS422シリアルインターフェイス用2ピ
ンターミナルブロック×2。シリアルポートの
設定により、次のモードをサポート可能。

- 2ワイヤーRS485半二重
- 4ワイヤーRS485全二重
- 2ワイヤーRS422単方向
- 4ワイヤーRS422全二重ポイントツ
ーポイント通信

RS485/422



RX/TX TX
1 2 3 4

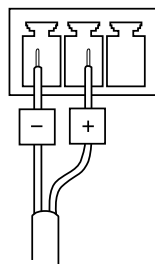
AXIS Q7424-R Mk II Video Encoder

機能	ピン	備考
RS485/RS422 RX/TX A	1	(RX) 全二重RS485/RS422用 (RX/TX) 半二重RS485用
RS485/RS422 RX/TX B	2	
RS485/RS422 TX A	3	(TX) 全二重RS485/RS422用
RS485/RS422 TX B	4	

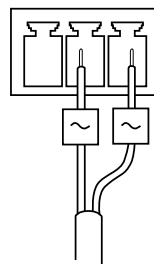
電源コネクタ

電源入力用3ピンターミナルブロック。
定格出力が**100 W**以下または**5 A**以下の
安全特別低電圧 (SELV) に準拠した有限
電源 (LPS) を使用してください。

DC電源入力



AC電源入力



電力消費量

Power over Ethernet (PoE) Class 3	最大12.95 W
AC電力入力20~24 V AC	最大14 VA
DC電力入力：8~28 V DC	最大10 W

安全情報

本製品を設置する前に、このインストールガイドをよくお読みください。インストールガイドは、後で参照できるように保管しておいてください。

危険レベル

▲危険

回避しない場合、死亡または重傷につながる危険な状態を示します。

▲警告

回避しない場合、死亡または重傷につながるおそれのある危険な状態を示します。

▲注意

回避しない場合、軽傷または中程度の怪我につながるおそれのある危険な状態を示します。

注記

回避しない場合、器物の破損につながるおそれのある状態を示します。

JA

その他のメッセージレベル

重要

製品を正しく機能させるために不可欠な重要情報を示します。

注意

製品を最大限に活用するために役立つ有用な情報を示します。

安全手順

注記

- 本製品は、お使いになる地域の法律や規制に準拠して使用してください。
- 本製品を屋外またはそれに準じる環境で使用する場合は、認定済みの屋外用筐体に収納して設置する必要があります。
- 本製品は乾燥した換気のよい環境に保管してください。
- 本製品に衝撃または強い圧力を加えないでください。
- 本製品を不安定なポール、ブラケット、表面、または壁に設置しないでください。
- 本製品を設置する際には、適切な工具のみを使用してください。電動工具を使用して過剰な力をかけると、製品が損傷することがあります。
- 化学薬品、腐食剤、噴霧式クリーナーは使用しないでください。
- 清掃には、きれいな水に浸した清潔な布を使用してください。
- 製品の技術仕様に準拠したアクセサリのみを使用してください。これらのアクセサリは、Axisまたはサードパーティから入手できます。
- Axisが提供または推奨する交換部品のみを使用してください。
- 製品を自分で修理しないでください。修理については、Axisサポートまたは販売代理店にお問い合わせください。
- 電源は、製品の近くで簡単に手の届く場所にあるコンセントに接続してください。
- 定格出力が100 Wまたは5 A以下の有限電源 (LPS) を使用します。

輸送

注記

- 本製品を運搬する際は、製品が損傷しないよう、元の梱包か同等の梱包を使用してください。

バッテリー

本製品は、内部リアルタイムクロック (RTC) 用電源として、3.0 V BR2032リチウムバッテリーを使用します。このバッテリーは、通常条件下で最低5年間使用できます。

バッテリーが低電力状態になると、RTCの動作に影響し、電源を入れるたびにRTCがリセットされます。バッテリーの交換が必要になると、製品のサーバーレポートにログメッセージが表示されます。サーバーレポートの詳細については、製品の設定ページを参照するか、Axisサポートまでお問い合わせください。

必要な場合以外はバッテリーを交換しないでください。バッテリーの交換が必要な場合は、Axisサポート (www.axis.com/techsup) までご連絡ください。

リチウムコイン型3.0V電池は、1,2-ジメトキシエタン(エチレングリコールジメチルエーテル (EGDME)、CAS番号110-71-4)を含有しています。

▲警告

- バッテリーは、正しく交換しないと爆発する危険があります。
- 交換用バッテリーとしては、同一品またはAxisが推奨するバッテリーのみを使用してください。
- 使用済みバッテリーは、地域の規制またはバッテリーメーカーの指示に従って廃棄してください。

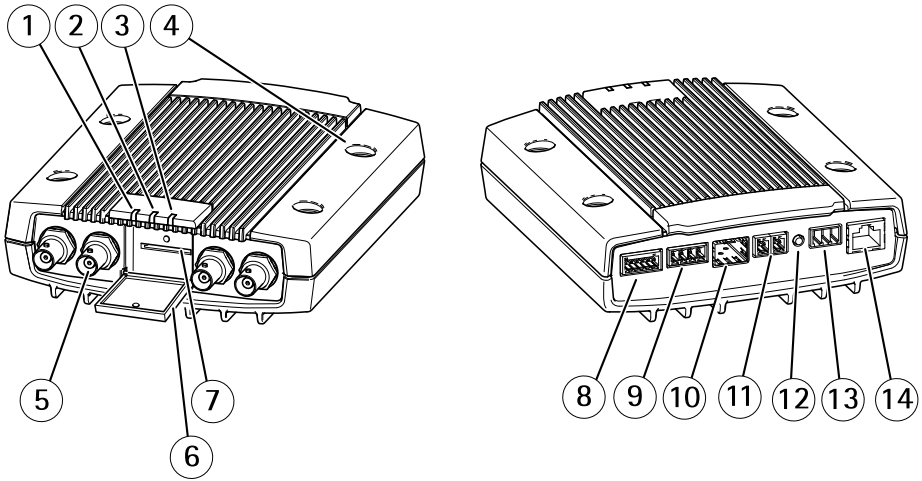
包装内容

- AXIS Q7424-R Mk II 视频编码器
- 安装套件
 - 4个表面防护垫
 - 端子连接器（I/O:6针连接器、RS485/RS422：2个 2针连接器、电源：3针连接器、音频：4针连接器）
 - 用于防篡改SD盖螺丝的艾伦扳手（六角扳手）
- 印刷资料：
 - 安装指南（本文档）

AXIS Q7424-R Mk II Video Encoder

硬件概览

有关硬件组件规格的信息，请参见 *技术规格* 在第113页。



- 1 LED电源指示灯
- 2 LED状态指示灯
- 3 LED网络指示灯
- 4 安装孔
- 5 视频输入连接器
- 6 SD内存卡盖
- 7 SD内存卡插槽
- 8 I/O 接口
- 9 音频接口
- 10 SFP 接口
- 11 RS485/RS422 接口
- 12 控制按钮
- 13 电源接口
- 14 网络接口 (PoE)

如何安装该产品

安装视频编码器

AXIS Q7424-R Mk II 可简单放置于水平表面或安装固定。参见 *硬件概览* 在第108页。

1. 取出防护垫，将其放置于视频编码器的下方，以防止视频编码器与其放置面被刮伤。
2. 将视频编码器紧贴水泥墙面放置，在四个安装孔处做好标记。
3. 钻四个安装孔。
4. 用合适的螺钉将编码器固定在墙壁上。

连接线缆并插入SD内存卡

1. 使用屏蔽网线或SFP模块将编码器与网络相连。如使用以太网供电，则请参见下文。
2. 可选择连接外部输入/输出设备，如报警设备。有关端子连接器针脚的信息，请参见 *接口* 在第114页。
3. 可选择连接有源扬声器和/或外部麦克风。
4. 将摄像机与视频输入连接。
5. 若设备使用直流或交流输入供电，则连接一个外部电源。请参阅下方注释。
6. 查看 LED 指示灯指示情况是否正确。更多详细信息，请参见 *LED 指示灯* 在第113页。
7. 如需要，插入一个SD内存卡，并使用所提供的艾伦扳手来固定SD内存卡盖。

ZH

备注

- 该设备可使用直流电输入、交流电输入或以太网供电。
- 如采用直流或交流电源供电，则需将电源与设备背面的电源接口连接。
- 如采用以太网供电，则需连接一条PoE网线。
- 为了符合安全要求，请不要在室外环境中使用交流电源。
- 如果使用 SFP，则需将 100Mbps/1 Gbps SFP SerDes 模块插入 SFP 插槽。
- 无论通过SFP模块还是RJ45接口，该设备只能使用一个网络接口。SFP模块先于RJ45接口考虑。

访问产品

AXIS IP Utility 和AXIS Camera Management 推荐用于查找网络上的安讯士产品，并在 Windows 中为它们分配 IP 地址®。两款应用都免费提供，并可在下列网址中下载：www.axis.com/techsup

该产品可配合多数操作系统和浏览器使用。我们推荐使用下列浏览器：

AXIS Q7424-R Mk II Video Encoder

- Internet Explorer® (搭配 Windows)®
- Safari® (搭配 OS X)®
- Chrome™ 或 Firefox® (搭配其他操作系统)。

有关使用该产品的更多信息，请参见用户手册，网址：www.axis.com

安装完毕后，您可以在局域网 (LAN) 中访问 AXIS Q7424-R Mk II。要从互联网访问视频编码器，需将网络路由器配置为允许进入流量，通常这是在特定端口完成的。

- HTTP端口 (默认端口80) 用于观看和配置
- RTSP端口 (默认端口554) 用于观看H.264视频流

更多详细说明，请参见随路由器提供的文档。

重置为出厂默认设置

重要

重置为出厂默认设置应慎用。重置为出厂默认设置将把所有设置重置为出厂默认值，包括 IP 地址。

备注

安装和管理软件工具可通过以下网站中的支持页面获取：www.axis.com/techsup

要将产品重置为出厂默认设置，请执行以下操作：

1. 断开产品电源。
2. 按住控制按钮不放，重新连接电源。请参见 *硬件概览* 在第108页。
3. 按住控制按钮 15–30 秒的时间，直至 LED 状态指示灯闪烁淡黄色。
4. 松开控制按钮。当 LED 状态指示灯变为绿色时，结束此过程。该产品已重置为出厂时的默认设置。如果网络上没有可用的DHCP服务器，则默认的 IP 地址为 192.168.0.90。
5. 借助安装和管理软件工具，分配 IP 地址，设置密码及访问视频流。

也可通过 Web 界面将参数重置为出厂默认设置。访问 **设置 > 系统选项 > 维护**，并点击 **默认**。

更多信息

- 有关本文档的最新版本，请访问 www.axis.com
- 如欲查阅用户手册，请访问 www.axis.com
- 检查是否有可供您产品使用的更新固件请访问 www.axis.com/support
- 有关有用的在线培训和网络研讨会的信息请访问 www.axis.com/academy

可选附件

欲查看本产品可用附件的完整列表，请转到 axis.com 上的产品页并选择“软件和附件”。

技术规格

您可以访问 www.axis.com，获取技术规格的最新版本。

LED 指示灯

备注

- LED 状态指示灯可被配置为在工作正常时不亮。进行配置请访问 **设置 > 系统选项 > 端口和设备 > LED**。如欲了解更多信息，请参见在线帮助。
- LED 状态指示灯可被配置为在事件激活状态下闪烁。
- LED 状态指示灯可被配置为识别装置时闪烁。访问 **设置 > 系统选项 > 维护**。

LED 状态指示灯	指示
绿色	绿灯常亮表示工作正常。
淡黄色	在启动、重置为出厂默认设置过程中或在还原设置过程中保持常亮。
红色	固件升级失败。

备注

当网络流量活跃时，可禁用 LED 网络指示灯，以免其闪烁。进行配置请访问 **设置 > 系统选项 > 端口和设备 > LED**。如欲了解更多信息，请参见在线帮助。

ZH

LED 网络指示灯	指示
绿色	常亮表示连接到 1 Gbit/s 网络。闪烁表示网络活动。
淡黄色	常亮表示连接到 10/100 Mbit/s 网络。闪烁表示网络活动。
不亮	无网络连接。

备注

LED 电源指示灯可被配置为在工作正常时不亮。进行配置请访问 **设置 > 系统选项 > 端口和设备 > LED**。如欲了解更多信息，请参见在线帮助。

LED 电源指示灯	指示
绿色	工作正常。
淡黄色	固件升级过程中呈绿色/淡黄色闪烁。

SD 卡插槽

注意

- SD 卡损坏的风险。插入或移除 SD 卡时，切勿使用尖锐工具、金属物体或用力过度。使用手指插入和移除卡。
- 数据丢失和录制内容损坏风险。产品运行时，请勿移除 SD 卡。在移除之前，断开电源或从安讯士产品网页中卸载 SD 卡。

该产品支持 SD/SDHC/SDXC 卡（不含）。

有关 SD 卡建议的更多信息，请访问 www.axis.com

按钮

控制按钮

有关控制按钮的位置信息，请参见 [硬件概览 在第108页](#)。

控制按钮用于：

- 将产品重置为出厂默认设置。参见 [第111页](#)。
- 连接至安讯士视频托管系统服务或安讯士互联网动态 DNS 服务。有关这些服务的更多信息，请参见用户手册。

接口

网络连接器

采用以太网供电 (PoE) 的 RJ45 以太网连接器。

SFP 连接器。

注意

该产品应使用屏蔽网络电缆 (STP) 进行连接。将产品连接到网络的电缆应专用于其特定用途。确保根据制造商的说明安装网络设备。有关法规要求的信息，请参见 *Electromagnetic Compatibility (EMC) on page 4*。

BNC 连接器

使用一个同轴电缆/BNC 连接器终止每个视频输入。

连接一根 75 欧姆的同轴视频电缆；建议最长为 250 米（800 英尺）。

备注

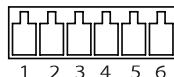
可通过产品网页上的**视频和音频 > 摄像机设置 > 视频终端** 在出厂默认设置中，视频终端为启用状态。如果产品与其他设备以并联方式连接，为了获得出色的视频质量，则建议仅启用视频信号链中最后一个设备的视频终端。

I/O 接口

与外部设备联合使用，例如：用于面向防篡改告警、移动探测、事件触发及报警通知的应用。除了 0 V 直流参考点和电源（直流输出），I/O 接口还提供以下接口：

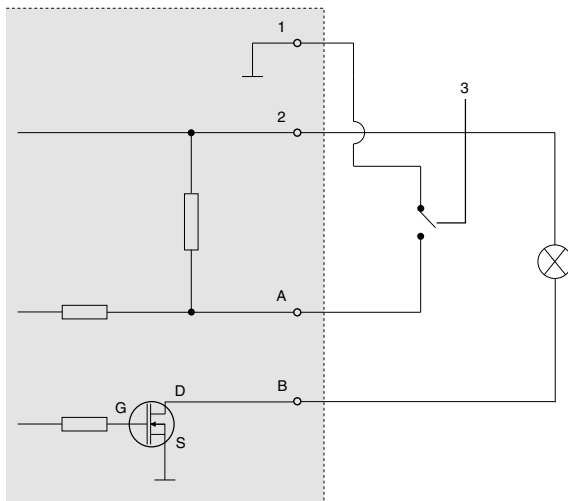
- **数字输出** – 用于连接外部设备，如继电器和 LED 灯。已连接设备可通过 VAPIX® 应用编程接口（API）、Live View（实时视图）页面上的输出按钮或 Action Rule（操作规则）激活。当警报设备被激活后，该输出接口将显示为激活（显示在**系统选项 > 端口和设备**下）。
- **数字输入** – 面向连接设备的报警输入，可在开放和闭合线路间切换，例如：PIR、门/窗触点以及玻璃破碎探测器等。当接收到信号时，状态发生变化，而且输入接口变成激活状态（显示在**系统选项 > 端口和设备**下）。

6 针可配置接线端子



功能	针脚	注释	规格
0 V DC (-)	1		0 V DC
DC 输出	2	可用于为辅助设备供电。 注：此针仅可用作电源输出。	12 V DC 最大负载 = 125 mA
可配置（输入或输出）	3-6	数字输入 – 连接到针脚 1 以启用或断开连接（未连接）以停用。	0 至最大 30 V DC
		数字输出 – 启用后连接至针脚 1，停用后断开连接（未连接）。如果与继电器等电感负载一起使用，必须将二极管与负载并联，以防止电压瞬变。	0 至最大 30 V DC，开漏，100 mA

ZH



- 1 0 V DC (-)
- 2 DC 输出 12 V, 最大 125 mA
- 3 示例: 按键
- A I/O 配置为输入
- B I/O 配置为输出

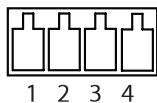
音频接口

4 针端子用于音频输入和输出。

对于音频输入，可将左声道用于立体声信号。

4 针接线端子用于：

- 音频输入
- 音频输出



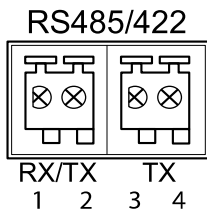
功能	引脚	注释
麦克风/线路输入	1	麦克风或线路输入（单声道）。可使用 3 V 麦克风偏压。
GND	2	接地
线路输出	3	线路级音频输出（单声道）。可连接到公共广播（PA）系统或带有内置放大器的有源扬声器。
GND	4	接地

RS485/RS422 接口

面向 RS485/RS422 串行接口的 2 个接线端子用于控制辅助设备，如 PT 设备。

用于 RS485/RS422 串行接口的 2 个双针接线端子。通过配置使串行端口支持：

- 双线 RS485 半双工
- 四线 RS485 全双工
- 双线 RS422 单工
- 四线 RS422 全双工点对点通信



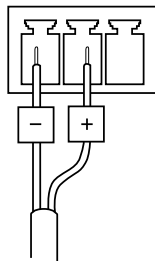
功能	针脚	注释
RS485/RS422 RX/TX A	1	(RX) 用于全双工 RS485/RS422 (RX/TX) 用于半双工 RS485
RS485/RS422 RX/TX B	2	
RS485/RS422 TX A	3	(TX) 用于全双工 RS485/RS422
RS485/RS422 TX B	4	

ZH

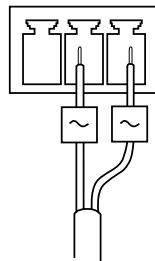
电源接口

3 针接线端子用于电源输入。使用符合安全超低压 (SELV) 规定，且额定输出功率 $\leq 100\text{ W}$ 或额定输出电流 $\leq 5\text{ A}$ 的有限电源 (LPS)。

DC 电源输入



AC 电源输入



功耗

以太网供电 (PoE) 三级	最大功率 12.95 W
交流电源输入 20–24 V AC	最大功率 14 VA
直流电源输入 8–28 V DC	最大功率 10 W

安全信息

安装该产品前请仔细通读该安装指南。请保管好安装指南以供以后查阅。

危险等级

▲危险

表示有危险的情形，如果不能避免，将导致死亡或严重的个人伤害。

▲警告

表示有危险的情形，如果不能避免，将导致死亡或严重的个人伤害。

▲小心

表示有危险的情形，如果不能避免，将导致轻微或中度的个人伤害。

注意

表示一种情形，如果不能避免，将导致对财产的损坏。

其它消息等级

重要

表示对于产品正常运行必不可少的重要信息。

备注

表示有助于充分利用产品的有用信息。

安全说明

注意

- 使用该安讯士产品必须符合当地法律法规要求。
- 如要在室外或相似环境中使用该安讯士产品，必须将其安装在符合标准的室外防护罩中。
- 安讯士产品应存放在干燥通风的环境中。
- 应避免对安讯士产品造成冲撞或重压。
- 不得将本产品安装于不稳固的立杆、支架、表面或墙面上。
- 安装安讯士产品时，请使用适用工具。使用电动工具时过度用力可能对产品造成损坏。
- 请勿使用化学制剂、腐蚀性制剂或气雾性清洁剂。
- 使用浸有净水的干净抹布进行清洁。
- 所用附件必须符合该产品的技术规格要求。可由安讯士或第三方供应商提供。
- 必须使用安讯士提供或推荐的零件。
- 请勿试图自己修理该产品。维修事务请联系安讯士支持人员或您的安讯士经销商。
- 电源应该插入安装在产品附近的插座，并易于使用。
- 使用额定输出电源 ≤ 100 瓦或额定输出电流 ≤ 5 安的有限电源(LPS)。

运输

注意

- 安讯士产品运输途中，应使用其原包装或等效包装，以防对产品造成损坏。

电池

该安讯士产品使用一块 3.0 V BR2032 锂电池为内部实时时钟 (RTC) 供电。正常情况下，该电池可至少使用 5 年。

电池电量不足将影响 RTC 运行，导致其在每次开机时重置。当电池需要更换时，产品的服务器报告中会显示日志消息。关于服务器报告的更多信息，请参考产品的设置页面或联系安讯士支持人员。

如非需要请勿更换电池！电池必须更换时，请联系安讯士支持人员寻求帮助，网址 www.axis.com/techsup。

3.0 V 锂纽扣电池包含 1,2-二甲氧基乙烷；乙二醇二甲醚 (EGDME)，CAS 号为 110-71-4。

警告

- 电池更换不当将引发爆炸危险。
- 请务必使用相同或安讯士推荐的电池进行更换。
- 请按照当地法规或电池制造商的说明来处理废旧电池。

Installation Guide

AXIS Q7424-R Mk II Video Encoder

© 2016 - 2021 Axis Communications AB

Ver. M2.2

Date: May 2021

Part No. 1636599