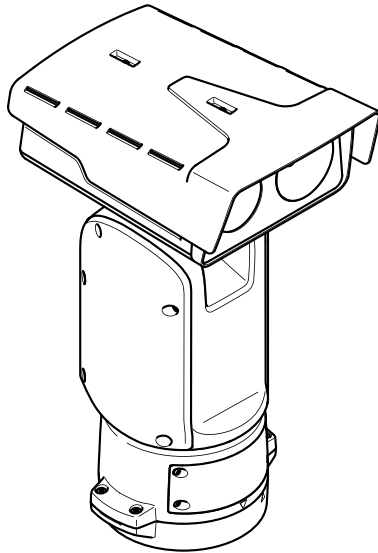


## AXIS Q8752-E Bispectral PTZ Camera



## Installation Guide



English

EN

France: Français

FR

Deutschland: Deutsch

DE

Italia: Italiano

IT

España: Español

ES

日本: 日本語

JA

中文: 简体中文

ZH

## Read this first

Read through this Installation Guide carefully before installing the product. Keep the Installation Guide for future reference.

## Legal considerations

Video and audio surveillance can be regulated by laws that vary from country to country. Check the laws in your local region before using this product for surveillance purposes.

This product includes the following licences:

- one (1) AAC decoder license
- one (1) H.264 decoder license
- one (1) H.265 decoder license

To purchase further licences, contact your reseller.

This product is subject to export control regulations. You should always consult and comply with the regulations of the appropriate local export control authorities.

## Liability

Every care has been taken in the preparation of this document. Please inform your local Axis office of any inaccuracies or omissions. Axis Communications AB cannot be held responsible for any technical or typographical errors and reserves the right to make changes to the product and manuals without prior notice. Axis Communications AB makes no warranty of any kind with regard to the material contained within this document, including, but not limited to, the implied warranties of merchantability and fitness for a particular purpose. Axis Communications AB shall not be liable nor responsible for incidental or consequential damages in connection with the furnishing, performance or use of this material. This product is only to be used for its intended purpose.

## Intellectual property rights

Axis AB has intellectual property rights relating to technology embodied in the product described in this document. In particular, and without limitation, these intellectual property rights may include one or more of the patents listed at [axis.com/patent](http://axis.com/patent) and one or more additional patents or pending patent applications in the US and other countries.

This product contains licensed third-party software. See the menu item "About" in the product's user interface for more information.

This product contains source code copyright Apple Computer, Inc., under the terms of Apple Public Source License 2.0 (see [opensource.apple.com/aps/](https://opensource.apple.com/aps/)). The source code is available from [developer.apple.com/bonjour/](mailto:developer.apple.com/bonjour/).

## Equipment modifications

This equipment must be installed and used in strict accordance with the instructions given in the user documentation. This equipment contains no user-serviceable components. Unauthorized equipment changes or modifications will invalidate all applicable regulatory certifications and approvals.

## Trademark acknowledgements

AXIS COMMUNICATIONS, AXIS and VAPIX are registered trademarks or trademark applications of Axis AB in various jurisdictions. All other company

names and products are trademarks or registered trademarks of their respective companies.

Apple, Apache, Bonjour, Ethernet, Internet Explorer, Linux, Microsoft, Mozilla, Real, SMPTE, QuickTime, UNIX, Windows, and WWW are registered trademarks of the respective holders. Java and all Java-based trademarks and logos are trademarks or registered trademarks of Oracle and/or its affiliates. The UPnP Word Mark and UPnP Logo are trademarks of Open Connectivity Foundation, Inc. in the United States or other countries.



microSD, microSDHC, and microSDXC Logos are trademarks of SD-3C LLC. microSD, microSDHC, microSDXC are trademarks or registered trademarks of SD-3C, LLC in the United States, other countries or both.

## Regulatory information

### Europe



This product complies with the applicable CE marking directives and harmonized standards:

- Electromagnetic Compatibility (EMC) Directive 2014/30/EU. See *Electromagnetic compatibility (EMC) on page 4*.
- Low Voltage Directive (LVD) 2014/35/EU. See *Safety on page 5*.
- Restriction of Hazardous Substances (RoHS) Directive 2011/65/EU and 2015/863, including any amendments, updates or replacements. See *Disposal and recycling on page 5*.

A copy of the original declaration of conformity may be obtained from Axis Communications AB. See *Contact information on page 6*.

### Electromagnetic compatibility (EMC)

This equipment has been designed and tested to fulfill applicable standards for:

- Radio frequency emission when installed according to the instructions and used in its intended environment.
- Immunity to electrical and electromagnetic phenomena when installed according to the instructions and used in its intended environment.

### USA

This device complies with part 15 of the FCC Rules. Operation is subject to the following two conditions:

1. This device may not cause harmful interference, and
2. this device must accept any interference received, including interference that may cause undesired operation.

This equipment has been tested using a shielded network cable (STP) and found to comply with the limits for a Class A digital device, pursuant to part 15 of the FCC Rules. These limits are designed to provide reasonable protection against harmful interference when the equipment is operated in a commercial environment. This equipment generates, uses, and can radiate radio frequency energy and, if not installed and used in accordance with the instruction manual, may cause harmful interference to radio communications. Operation of this equipment in a residential area is likely to cause harmful interference in which case the

user will be required to correct the interference at his own expense. The product shall be connected using a shielded network cable (STP) that is properly grounded.

**Contact information**

Axis Communications Inc.  
300 Apollo Drive  
Chelmsford, MA 01824  
United States of America  
Tel: +1 978 614 2000

**Canada**

This digital apparatus complies with CAN ICES-3 (Class A). The product shall be connected using a shielded network cable (STP) that is properly grounded. Cet appareil numérique est conforme à la norme CAN NMB-3 (classe A). Le produit doit être connecté à l'aide d'un câble réseau blindé (STP) qui est correctement mis à la terre.

**Europe**

This digital equipment fulfills the requirements for RF emission according to the Class A limit of EN 55032. The product shall be connected using a shielded network cable (STP) that is properly grounded. Notice! This is a Class A product. In a domestic environment this product may cause RF interference, in which case the user may be required to take adequate measures.

**Australia/New Zealand**

This digital equipment fulfills the requirements for RF emission according to the Class A limit of AS/NZS CISPR 32. The product shall be connected using a shielded network cable (STP) that is properly grounded. Notice! This is a Class A product. In a domestic environment this product may cause RF interference, in which case the user may be required to take adequate measures.

**Japan**

この装置は、クラスA機器です。この装置を住宅環境で使用すると電波妨害を引き起こすことがあります。この場合には使用者が適切な対策を講ずるよう要求されることがあります。VCCI - A

本製品は、シールドネットワークケーブル (STP) を使用して接続してください。また適切に接地してください。  
本製品は電気通信事業者 (移动通信会社、固定通信会社、インターネットプロバイダ等) の通信回線 (公衆無線 LAN を含む) に直接接続することができません。本製品をインターネットに接続する場合は、必ずルータ等を経由し接続してください。

**Korea**

이 기기는 업무용 환경에서 사용할 목적으로 적합성평가를 받은 기기로서 가정용 환경에서 사용하는 경우 전파간섭의 우려가 있습니다. 적절히 접지된 STP (shielded twisted pair) 케이블을 사용하여 제품을 연결 하십시오.

**Safety**

This product complies with IEC/EN/UL 62368-1, safety of audio/video and IT equipment, and IEC/EN/UL 60950-22, Safety of Information Technology Equipment.

The product shall be grounded using both the protective grounding wire in the power cable and the grounding braid. Make sure both ends of the protective grounding wire and the grounding braid are in contact with their respective grounding surfaces.

The power supply used with this product shall have a rated output voltage within voltage range of 20-28 V AC/DC, and a max current rating of 10.5 A.

We recommend the use of Axis power supply DIN PS24 480 W.

**Disposal and recycling**

When this product has reached the end of its useful life, dispose of it according to local laws and regulations. For information about your nearest designated collection point, contact your local authority responsible for waste disposal. In accordance with local legislation, penalties may be applicable for incorrect disposal of this waste.

**Europe**



This symbol means that the product shall not be disposed of together with household or commercial waste. Directive 2012/19/EU on waste electrical and electronic equipment (WEEE) is applicable in the European Union member states. To prevent potential harm to human health and the environment, the product must be disposed of in an approved and environmentally safe recycling process. For information about your nearest designated collection point, contact your local authority responsible for waste disposal. Businesses should contact the product supplier for information about how to dispose of this product correctly.

This product complies with the requirements of Directive 2011/65/EU and 2015/863 on the restriction of the use of certain hazardous substances in electrical and electronic equipment (RoHS).

**China**



This product complies with the requirements of SJ/T 11364-2014, Marking for the restriction of hazardous substances in electrical and electronic products.

有毒有害物质或元素						
部件名称	铅 (Pb)	汞 (Hg)	镉 (Cd)	六价铬 (Cr(VI))	多溴联苯 (PB-B)	多溴二苯醚 (PB-DE)
电气实装部分	X	0	0	0	0	0
0: 表示该有毒有害物质在该部件均质材料中的含量均在GB/T 26572标准规定的限量要求以下。 X: 表示该有毒有害物质至少在该部件的某一均质材料中的含量超出GB/T 26572标准规定的限量要求。						

## **Contact information**

Axis Communications AB  
Emdalavägen 14  
223 69 Lund  
Sweden  
Tel: +46 46 272 18 00  
Fax: +46 46 13 61 30  
*axis.com*

## **Warranty information**

For information about Axis' product warranty and thereto related information, go to *axis.com/warranty*.

## **Support**

Should you require any technical assistance, please contact your Axis reseller. If your questions cannot be answered immediately, your reseller will forward your queries through the appropriate channels to ensure a rapid response. If you are connected to the Internet, you can:

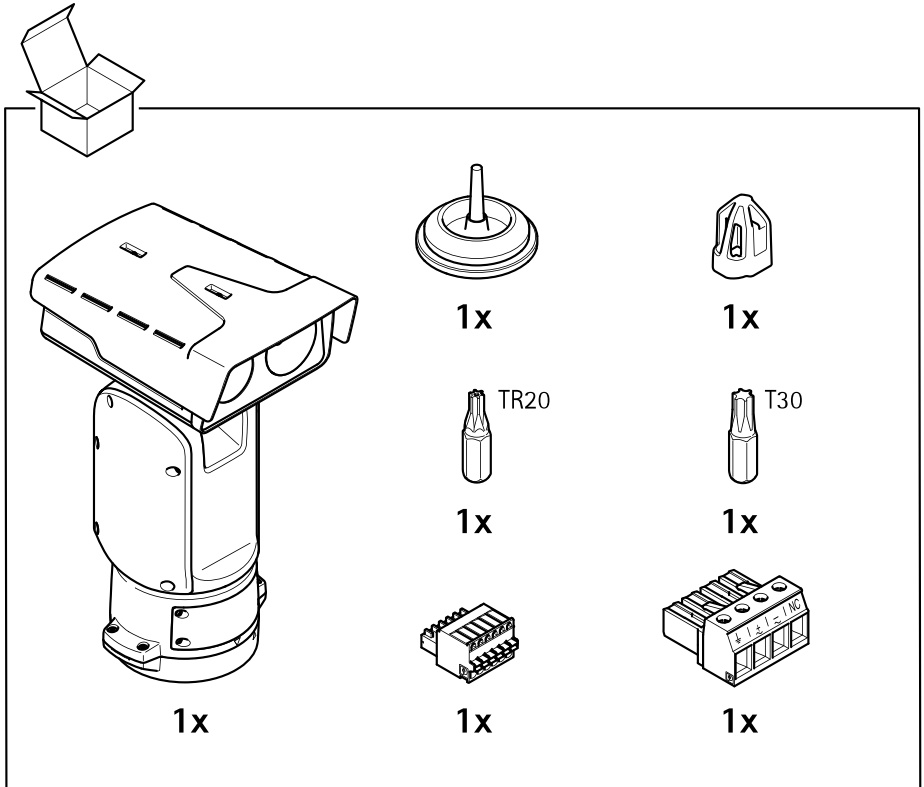
- download user documentation and software updates
- find answers to resolved problems in the FAQ database, search by product, category, or phrase
- report problems to Axis support staff by logging in to your private support area
- chat with Axis support staff
- visit Axis Support at *axis.com/support*

## **Learn more!**

Visit Axis learning center *axis.com/academy* for useful trainings, webinars, tutorials and guides.

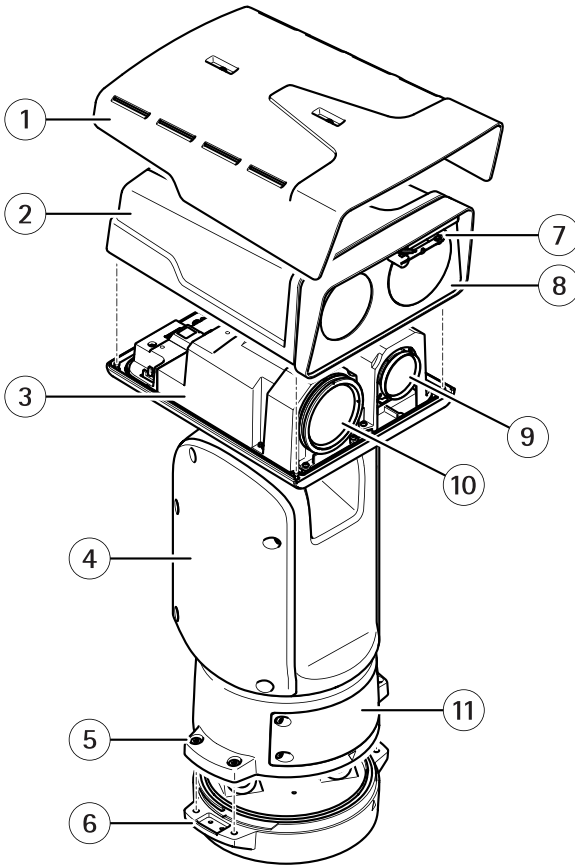
## Package contents

EN



# AXIS Q8752-E Bispectral PTZ Camera

## Product overview

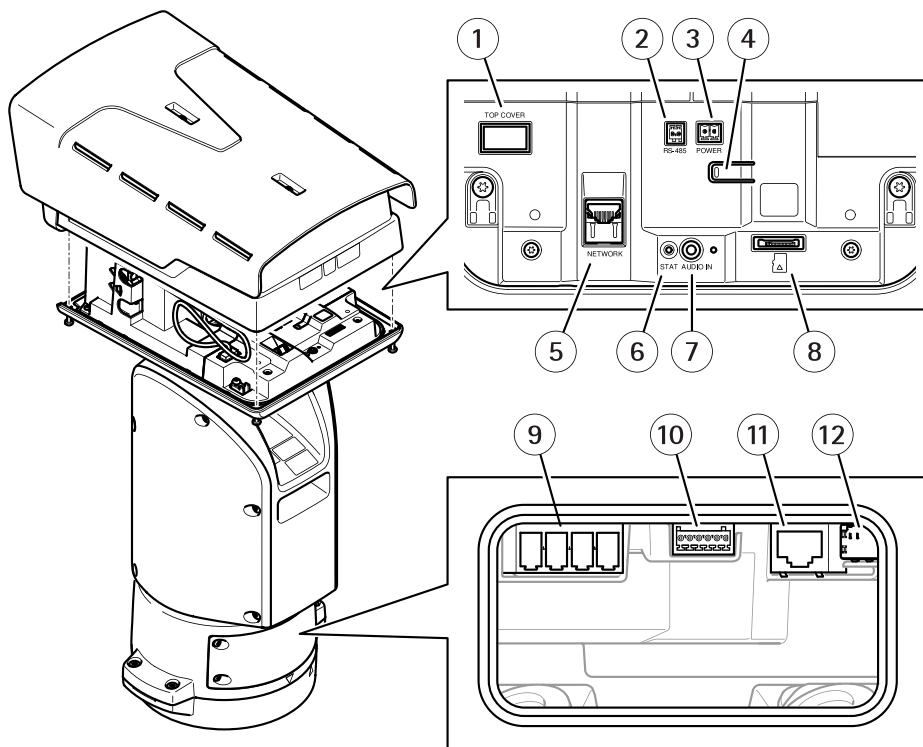


- 1 Weathershield
- 2 Top cover
- 3 Inner cover
- 4 Positioning unit
- 5 Base unit screws
- 6 Base unit
- 7 Wiper
- 8 Front with protective foil
- 9 Visual lens
- 10 Thermal lens
- 11 Lid



# AXIS Q8752-E Bispectral PTZ Camera

EN



- 1 Top cover connector
- 2 RS485 connector
- 3 Power connector
- 4 Control button
- 5 RJ45 connector
- 6 Status LED
- 7 Audio IN 3.5 mm connector
- 8 SD card slot (microSD, card not included)
- 9 Input power connector
- 10 I/O connector
- 11 RJ45 connector
- 12 SFP slot for SFP module (not included)

# AXIS Q8752-E Bispectral PTZ Camera

## How to install the product

### ⚠ DANGER

Risk of electric shock. All cables shall be de-energized before installing the product.

### ⚠ CAUTION

The electrical connections and conduit installations shall be made by a certified electrician and in compliance with local regulations.

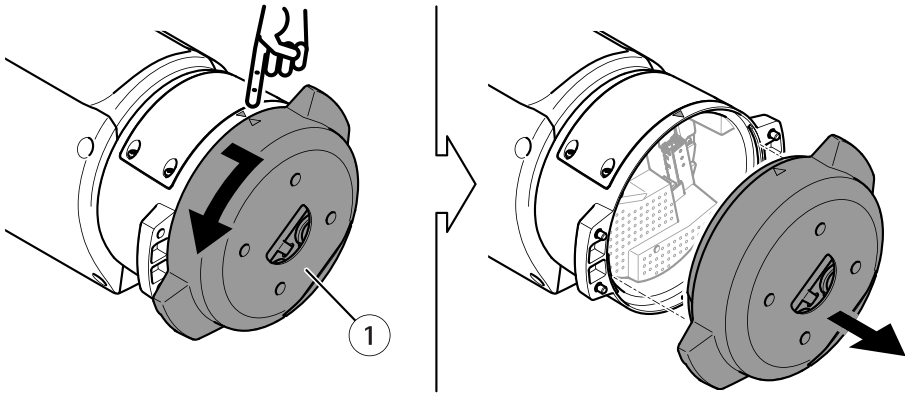
### ⚠ CAUTION

⚠ Risk of injury. Moving parts. Keep your body parts away from the product when in operation. Disconnect from power supply before installing or performing maintenance on the product.

### ⚠ CAUTION

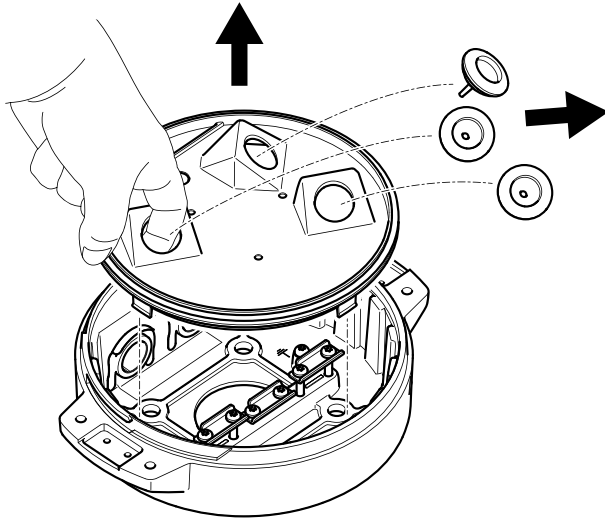
⚠ Risk of injury. Hot surface. Do not touch the product when in operation. Disconnect from power supply and allow the surfaces to cool before performing maintenance on the product.

## Mount the base unit



1 Base unit

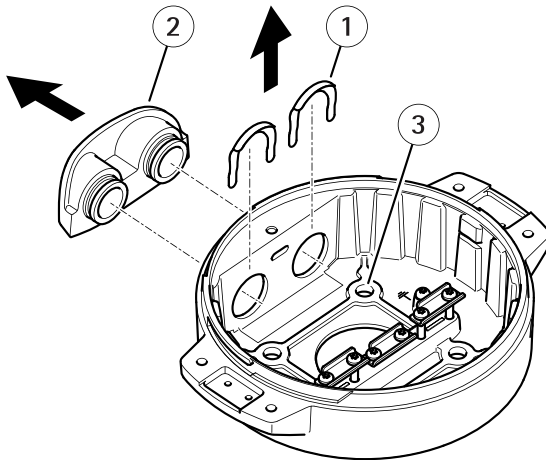
1. Remove the four base unit screws (T30).
2. Simultaneously pull and turn the base unit counterclockwise until the arrows on the base unit and the rest of the positioning unit align.
3. Remove the base unit.



**NOTICE**

Do not use sharp tools when you remove the transparent base unit cover.

4. Remove the transparent base unit cover.



- 1 Conduit cover clip
- 2 Conduit cover

# AXIS Q8752-E Bispectral PTZ Camera

## 3 Screw hole (x4)

5. For conduit installations only: remove the two conduit cover clips followed by the conduit cover.
6. Attach the base unit to the mounting surface with appropriate fasteners in the four screw holes.

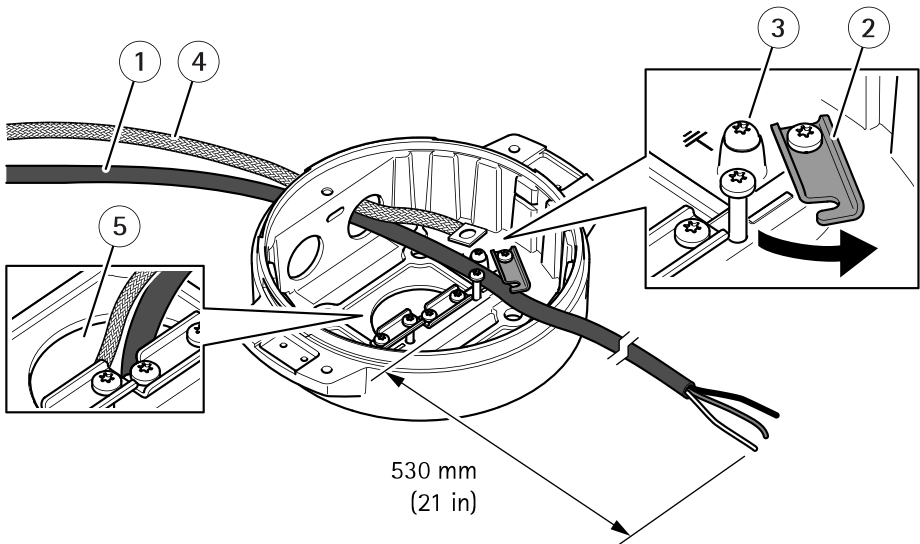
## Route the cables

### ⚠ WARNING

Risk of electric shock. The product shall be grounded using both the protective grounding wire in the power cable and the grounding braid. Make sure both ends of the protective grounding wire and the grounding braid are in contact with their respective grounding surfaces.

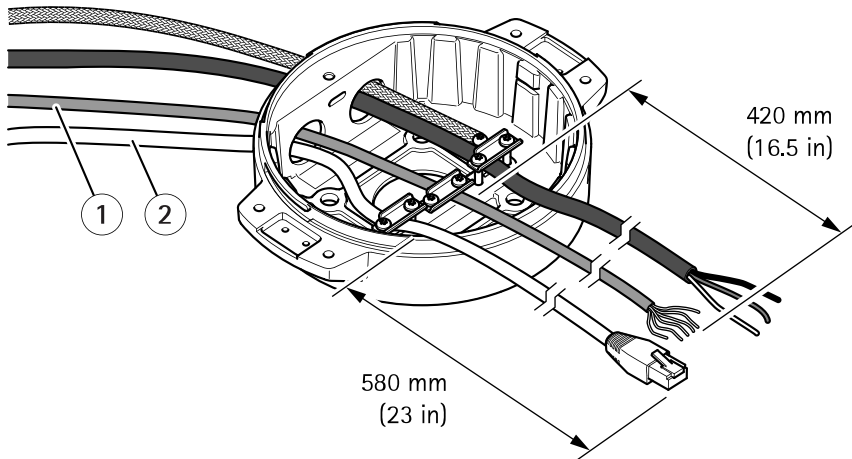
### Important

Use only cables that comply with the specified cable area. For more information, see *Cable thickness on page 22*.



- 1 Power cable (not included)
- 2 Strain relief
- 3 Grounding screw
- 4 Grounding braid (not included)
- 5 Bottom cable hole

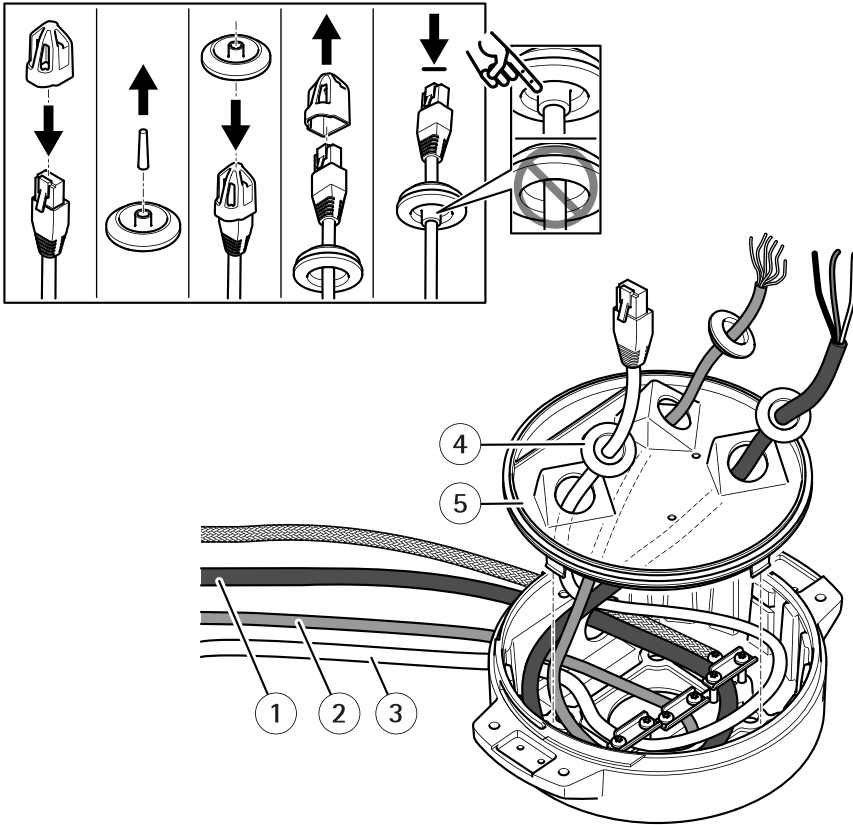
1. Install the optional conduit adapters (not included).
2. Connect the grounding braid to the grounding screw.
3. Insert the power cable, I/O cable and network cable through the hole in the base unit as shown in the illustration above. Alternatively insert them through the bottom cable hole.
4. Insert the power cable through the strain relief with a distance of 530 mm (21 in) from the strain relief to the end of the cable.



- 1 I/O cable (optional, not included)
- 2 Network cable (not included)

5. Insert the I/O cable (optional) through the strain relief with a distance of 420 mm (16.5 in) from the strain relief to the end of the cable.
6. Insert the network cable (optical fiber cable and/or RJ45 cable) through the strain relief with a distance of 580 mm (23 in) from the strain relief to the end of the connector. For more information on different network connectivity options, see *Install the network link* on page 17.
7. Close and tighten the three strain reliefs.

# AXIS Q8752-E Bispectral PTZ Camera



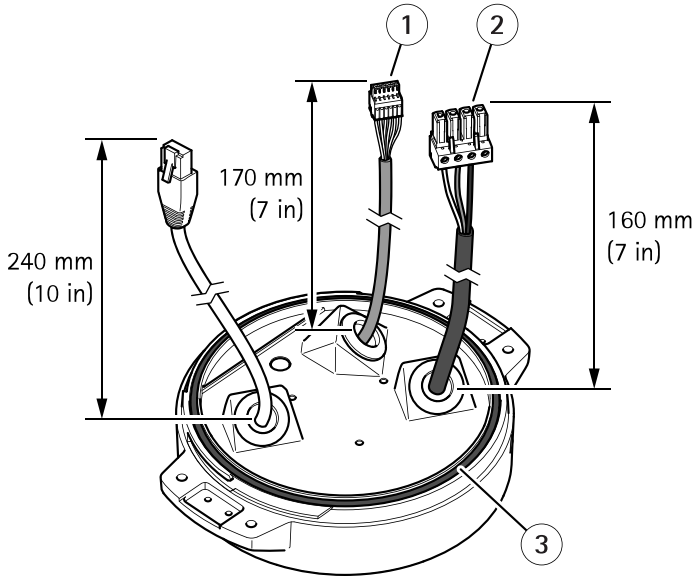
- 1 Power cable (not included)
- 2 I/O cable (optional, not included)
- 3 Network cable (not included)
- 4 Cable gasket
- 5 Transparent base unit cover

8. Fit cable gaskets on the cables. See *Cable thickness* on page 22.
9. Insert the power, I/O and network cables including the cable gaskets through the holes in the transparent base unit cover and arrange the cables as shown in the illustration above.

## NOTICE

If you use both an optical fibre cable and an RJ45 cable for network connectivity, route the optical fibre cable through the same cable gasket as the I/O cable. Apply a sealant between the cables and the cable gasket to prevent leakage. For more information on different network connectivity options, see *Install the network link* on page 17.

10. Place the transparent base unit cover on the base unit and fit the cable gaskets inside the holes.



- 1 I/O connector
- 2 Power connector
- 3 O-ring

**NOTICE**

To not accidentally disconnect the unit from power if the cable is pulled, let the protective grounding wire be about 10 mm (0.4 in) longer than the other two wires (in the power cable).

**Note**

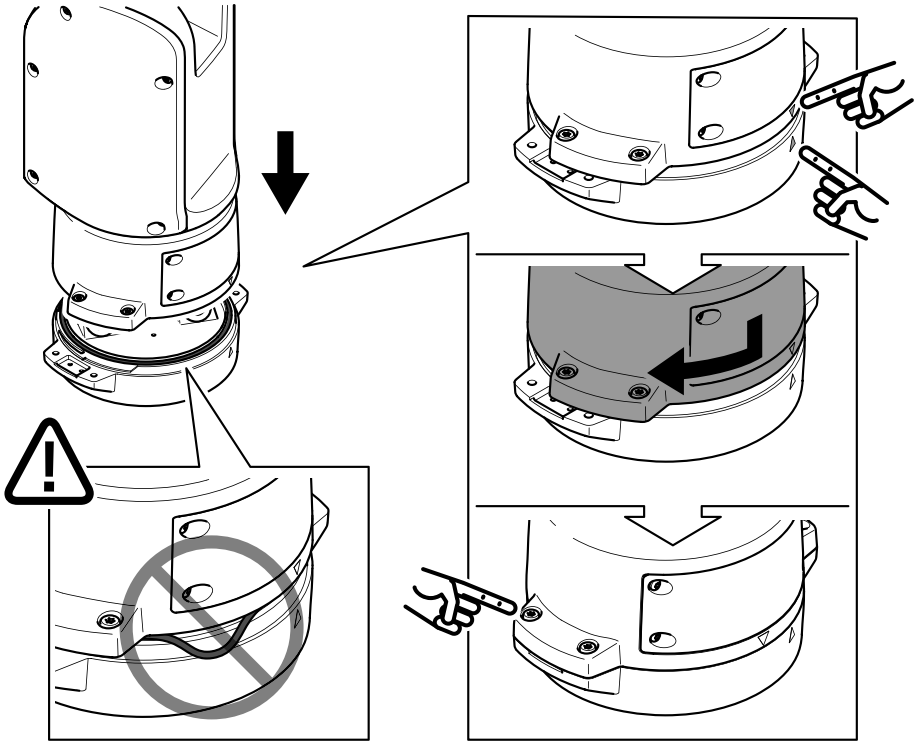
To make the installation as easy as possible, we recommend you to strip approximately 90 mm (3.5 in) of the power cable jacket and 70 mm (2.8 in) of the I/O cable jacket.

11. Install the power and I/O connectors.
12. Adjust the network, I/O and power cables so that the distance from the cable gasket to the end of the connector is 240 mm (10 in), 170 mm (7 in), and 160 mm (7 in) respectively.

**NOTICE**

Make sure that the O-ring is fitted correctly around the transparent base unit cover.

# AXIS Q8752-E Bispectral PTZ Camera



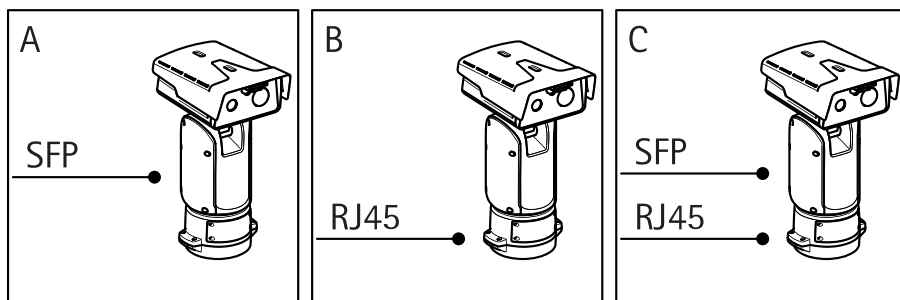
13. Place the positioning unit on the base unit. Make sure that the arrows on the two units are aligned.
14. Turn the positioning unit clockwise back to its original position and tighten the four base unit screws (torque 3.0 Nm).

## **NOTICE**

Make sure that the cables don't get pinched when you assemble the two units.



## Install the network link



You can choose between different options when you install the network link:

- A: via an optical fiber or RJ45 cable connected to the SFP module (with a respective connector) in the SFP slot.
- B: via an RJ45 cable connected to the fixed RJ45 connector.
- C: via both of the above, in which case the SFP module connection functions as the primary network link, and the fixed RJ45 connection functions as the fail-over link.

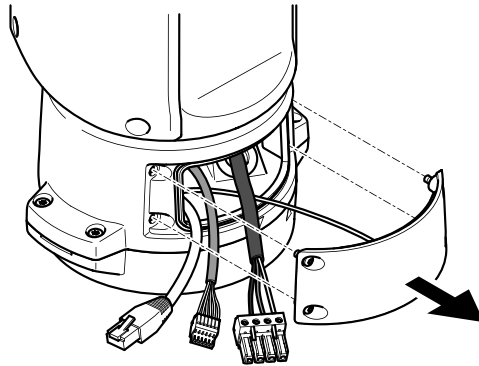
For more information on network connector locations, see *Product overview on page 8*.

### Note

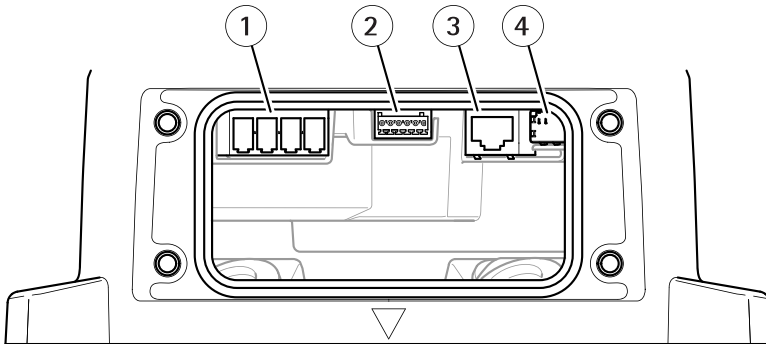
- SFP module is not included. For more information on available SFP modules, see [axis.com](http://axis.com)
- If you install a network link only via the optical fiber cable using the respective SFP module, it works as a stand-alone solution for long range cabling installations.

# AXIS Q8752-E Bispectral PTZ Camera

## Connect the cables

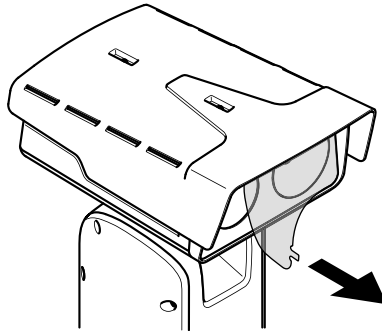


1. Loosen the four lid screws (T20) and remove the lid.



- 1 *Input power connector*
- 2 *I/O connector*
- 3 *RJ45 connector*
- 4 *SFP slot for SFP module (SFP module not included)*


2. Connect the network (optical fibre and/or RJ45), I/O and power cables. For more information on different network connectivity options, see *Install the network link* on page 17.
3. Return the lid to its position and tighten the four lid screws (torque 3.0 Nm).




4. Remove the protective cover.
5. Apply power to the product.

## Remove top cover

### ⚠ CAUTION

 Risk of injury. Moving parts. Keep your body parts away from the product when in operation. Disconnect from power supply before installing or performing maintenance on the product.

### ⚠ CAUTION

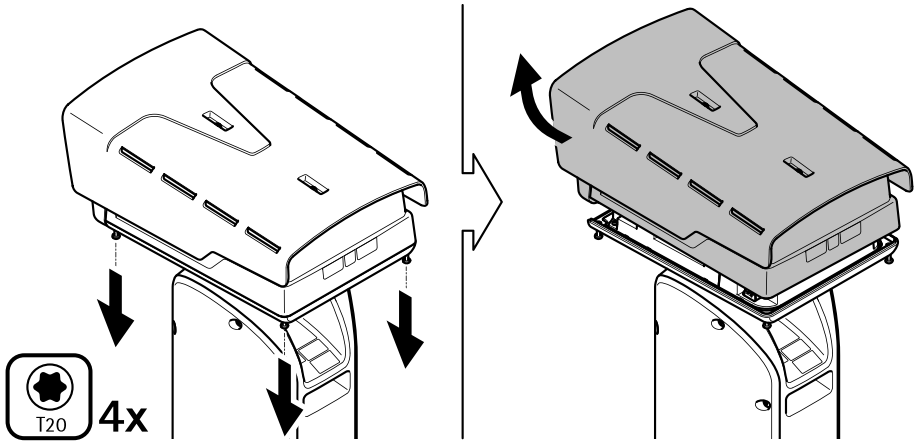
 Risk of injury. Hot surface. Do not touch the product when in operation. Disconnect from power supply and allow the surfaces to cool before performing maintenance on the product.

### NOTICE

When you remove the top cover you expose parts of the visual camera that are sensitive to impact. Make sure you don't hit the unprotected camera with the top cover when you remove it.

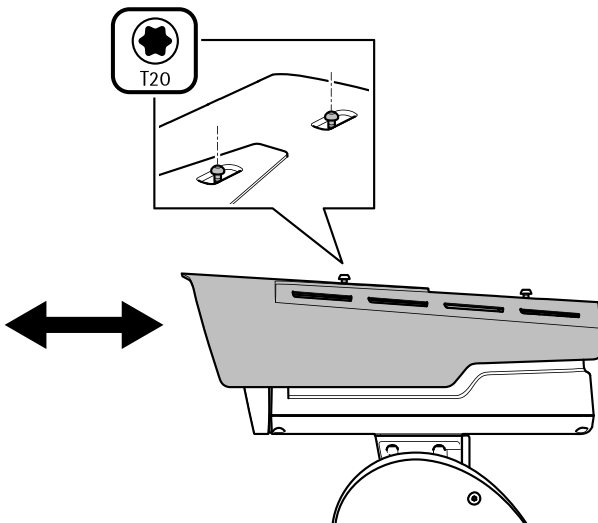
To insert an SD card or reset to factory default, remove the top cover:

# AXIS Q8752-E Bispectral PTZ Camera



To find out where to insert the SD card or reset to factory default, see *Product overview on page 8*. For more information, see the user manual at [axis.com](http://axis.com)

## Adjust the weathershield



1. Loosen the two weathershield screws.

## AXIS Q8752-E Bispectral PTZ Camera

---

2. Set the weathershield in the preferred position.
3. Tighten the two weathershield screws (torque 0.8 Nm).

EN

# AXIS Q8752-E Bispectral PTZ Camera

---

## Specifications

To find the latest version of the product's datasheet, go to the product page at [axis.com](https://www.axis.com) and locate **Support & Documentation**.

### Cable thickness

The cable diameter, when using cable gaskets provided with the product, should be in the range of 5 to 11 mm (0.2 to 0.4 in).

#### **NOTICE**

- Use cables that keep within the specified cable area
- Select cables in compliance with your local regulations
- Make sure all cable holes are properly sealed
- Use cable gaskets or cable glands that match both the cable hole and the cable area

For information about accessories, such as cable gaskets and cable glands that allow for other cable areas, see [www.axis.com](https://www.axis.com)

## Safety information

### Hazard levels

#### **▲DANGER**

Indicates a hazardous situation which, if not avoided, will result in death or serious injury.

#### **▲WARNING**

Indicates a hazardous situation which, if not avoided, could result in death or serious injury.

#### **▲CAUTION**

Indicates a hazardous situation which, if not avoided, could result in minor or moderate injury.

#### **NOTICE**

Indicates a situation which, if not avoided, could result in damage to property.

### Other message levels

#### Important

Indicates significant information which is essential for the product to function correctly.

#### Note

Indicates useful information which helps in getting the most out of the product.

### Safety instructions

#### **▲DANGER**

Risk of electric shock. All cables shall be de-energized before installing or performing maintenance on the product.

#### **▲WARNING**

The Axis product shall be installed by a trained professional, and in compliance with local laws and regulations.

#### **▲CAUTION**



Risk of injury. Moving parts. Keep your body parts away from the product when in operation. Disconnect from power supply before installing or performing maintenance on the product.

#### **▲CAUTION**



Risk of injury. Hot surface. Do not touch the product when in operation. Disconnect from power supply and allow the surfaces to cool before performing maintenance on the product.

#### **NOTICE**

- The Axis product shall be used in compliance with local laws and regulations.
- Store the Axis product in a dry and ventilated environment.
- Avoid exposing the Axis product to shocks or heavy pressure.
- Do not install the product on unstable poles, brackets, surfaces or walls.

- Use only applicable tools when installing the Axis product. Using excessive force with power tools could cause damage to the product.
- Do not use chemicals, caustic agents, or aerosol cleaners.
- Use a clean cloth dampened with pure water for cleaning.
- Use only accessories that comply with the technical specification of your product. These can be provided by Axis or a third party. Axis recommends using Axis power source equipment compatible with your product.
- Use only spare parts provided by or recommended by Axis.
- Do not attempt to repair the product yourself. Contact Axis support or your Axis reseller for service matters.
- Do not point the camera lens toward the sun or other high-intensity radiation sources because this could cause damage to the camera.

### Transportation

#### **NOTICE**

- When transporting the Axis product, use the original packaging or equivalent to prevent damage to the product.

### Battery

The Axis product uses a 3.0 V BR2032 lithium battery as the power supply for its internal real-time clock (RTC). Under normal conditions this battery will last for a minimum of five years.

Low battery power affects the operation of the RTC, causing it to reset at every power-up. When the battery voltage is low, a log message will appear in the product's server report.

#### **▲CAUTION**

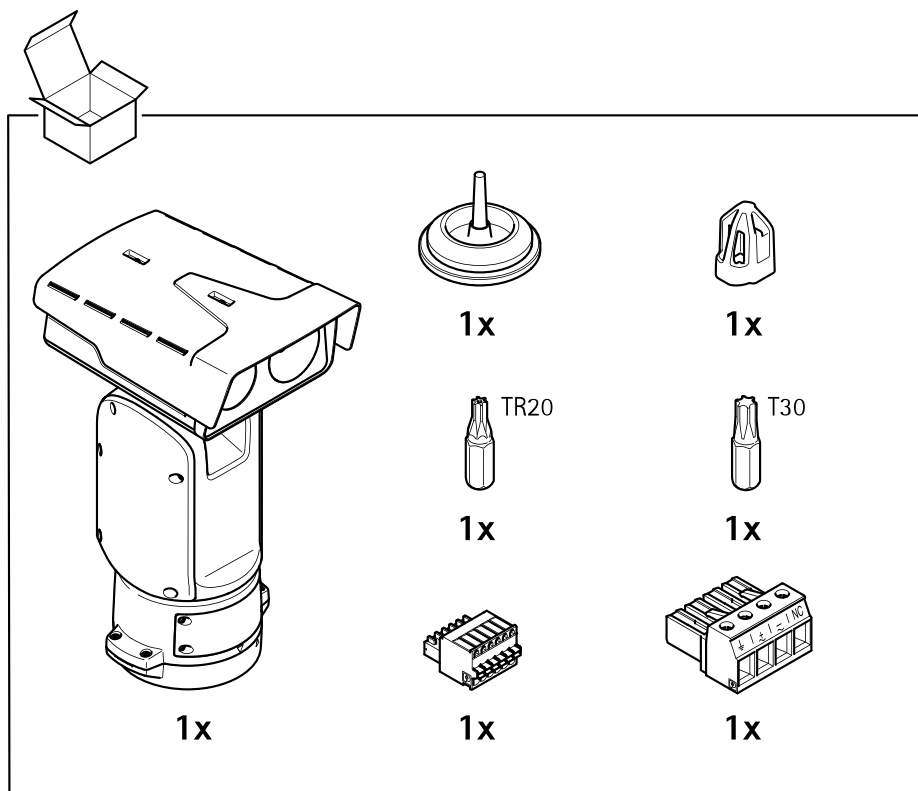
Do not replace the battery yourself. Contact Axis support if the log message requests a battery change.

Lithium coin cell 3.0 V batteries contain 1,2-dimethoxyethane; ethylene glycol dimethyl ether (EGDME), CAS no. 110-71-4.



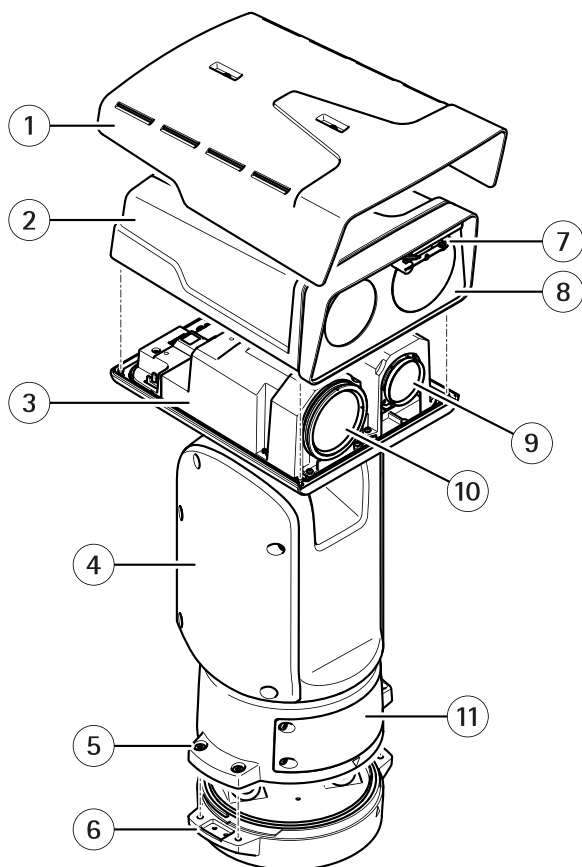


## Contenu de l'emballage



# AXIS Q8752-E Bispectral PTZ Camera

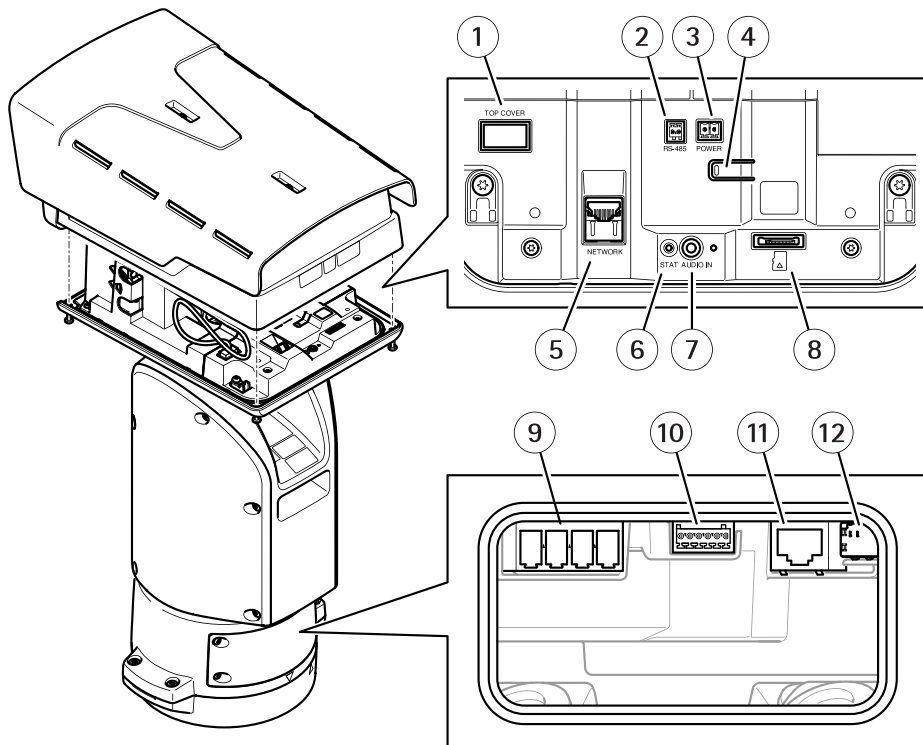
## Vue d'ensemble du produit



- 1 Protection étanche
- 2 Couvercle supérieur
- 3 Couvercle interne
- 4 Unité de positionnement
- 5 Vis de l'unité de base
- 6 Unité de base
- 7 Essuyage
- 8 Avant avec feuille de protection
- 9 Objectif visuel
- 10 Objectif thermique
- 11 Opercule

# AXIS Q8752-E Bispectral PTZ Camera

FR



- 1 *Connecteur du couvercle supérieur*
- 2 *Connecteur RS485*
- 3 *Connecteur d'alimentation*
- 4 *Bouton de commande*
- 5 *Connecteur RJ45*
- 6 *LED de statut*
- 7 *Connecteur d'entrée audio 3,5 mm*
- 8 *Emplacement pour carte SD (microSD, carte non fournie)*
- 9 *Connecteur d'alimentation d'entrée*
- 10 *Connecteur d'E/S*
- 11 *Connecteur RJ45*
- 12 *Emplacement SFP pour module SFP (non fourni)*

## Comment installer le produit

### ⚠ DANGER

Risque de choc électrique. Tous les câbles doivent être hors tension avant d'installer le produit.

### ⚠ ATTENTION

Les connexions électriques et les installations de conduites doivent être effectuées par un électricien certifié et conformément aux réglementations locales.

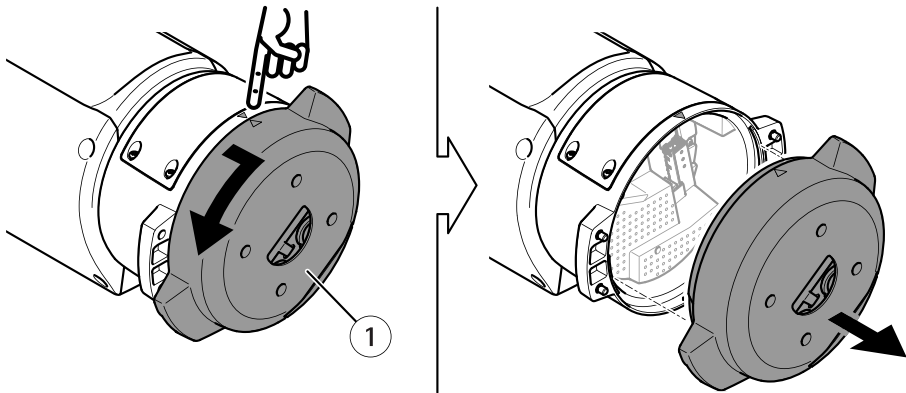
### ⚠ ATTENTION

⚠ Risques de blessures. Pièces mobiles. Restez à l'écart du produit lorsqu'il est en cours de fonctionnement. Débranchez l'alimentation électrique avant d'installer le produit ou d'effectuer son entretien.

### ⚠ ATTENTION

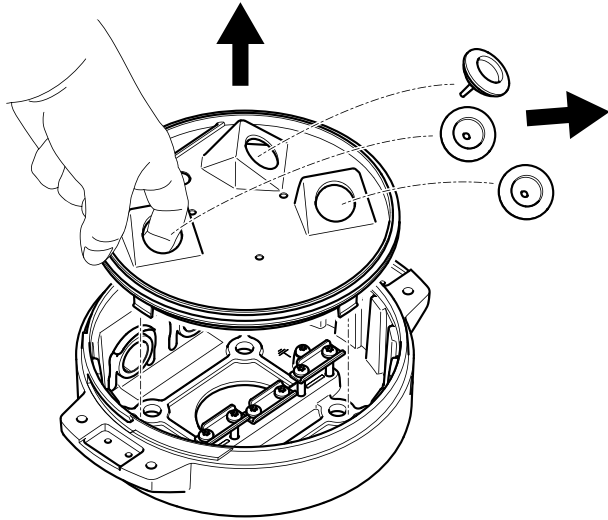
⚠ Risques de blessures. Surfaces chaudes. Ne touchez pas le produit lorsqu'il est en cours de fonctionnement. Débranchez l'alimentation électrique et laissez les surfaces refroidir avant d'effectuer l'entretien du produit.

## Montage de l'unité de base



1 Unité de base

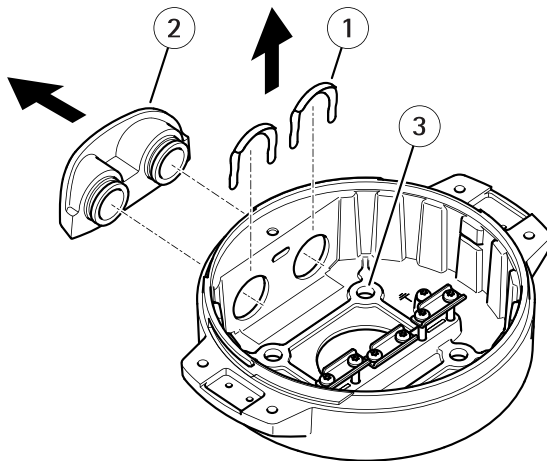
1. Déposer les quatre vis de l'unité (T30).
2. Tirez et tournez simultanément l'unité de base dans le sens anti-horaire jusqu'à ce que les flèches sur l'unité de base et le reste de l'unité de positionnement s'alignent.
3. Déposez l'unité de base.



**AVIS**

N'utilisez pas d'outils tranchants lorsque vous déposez le couvercle transparent de l'unité de base.

4. Déposez le couvercle transparent de l'unité de base.



1 Clip du cache de conduit

# AXIS Q8752-E Bispectral PTZ Camera

- 2 Cache de conduit
- 3 Trou de vis (x4)

- 5. Pour des installations de conduit uniquement : déposez les deux clips du cache de conduit suivis par le cache du conduit.
- 6. Fixez l'unité de base à la surface de montage avec les éléments de fixation appropriés dans les quatre trous de vis.

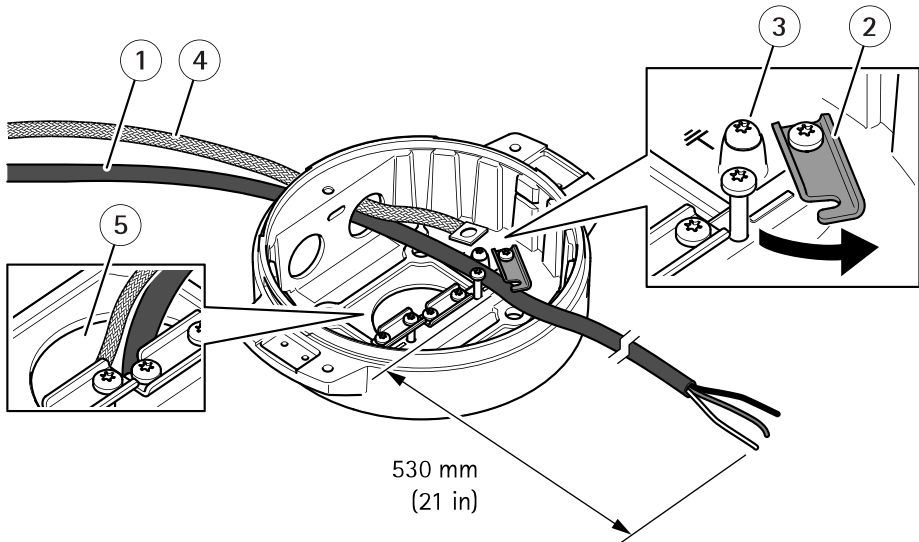
## Acheminement des câbles

### ⚠ AVERTISSEMENT

Risque de choc électrique. Le produit doit être mis à la terre à l'aide du câble de mise à la terre de protection du câble d'alimentation et de la tresse de terre. Assurez-vous que les deux extrémités du câble de mise à la terre de protection et la tresse de terre sont en contact avec les surfaces de mise à la terre correspondantes.

### Important

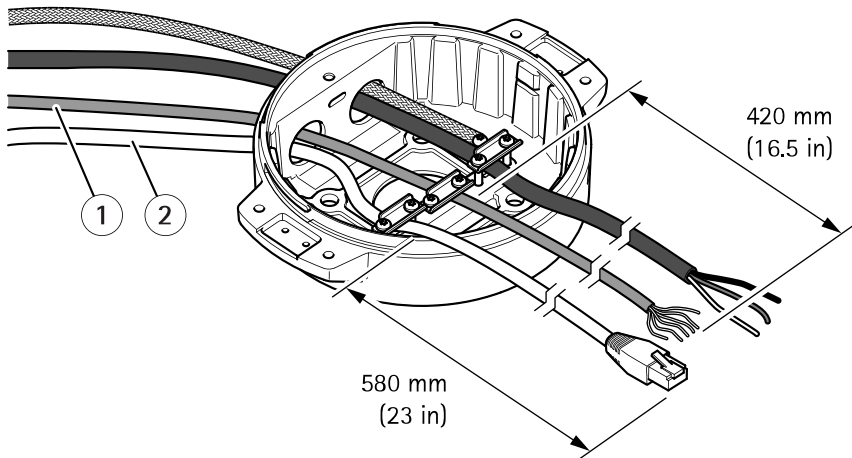
Utilisez uniquement des câbles conformes à la zone spécifiée. Pour en savoir plus, consultez *Épaisseur du câble page 40*.



- 1 Câble d'alimentation (non fourni)
- 2 Réducteur de tension
- 3 vis de mise à la terre
- 4 Tresse de terre (non fournie)

## 5 passage du câble inférieur

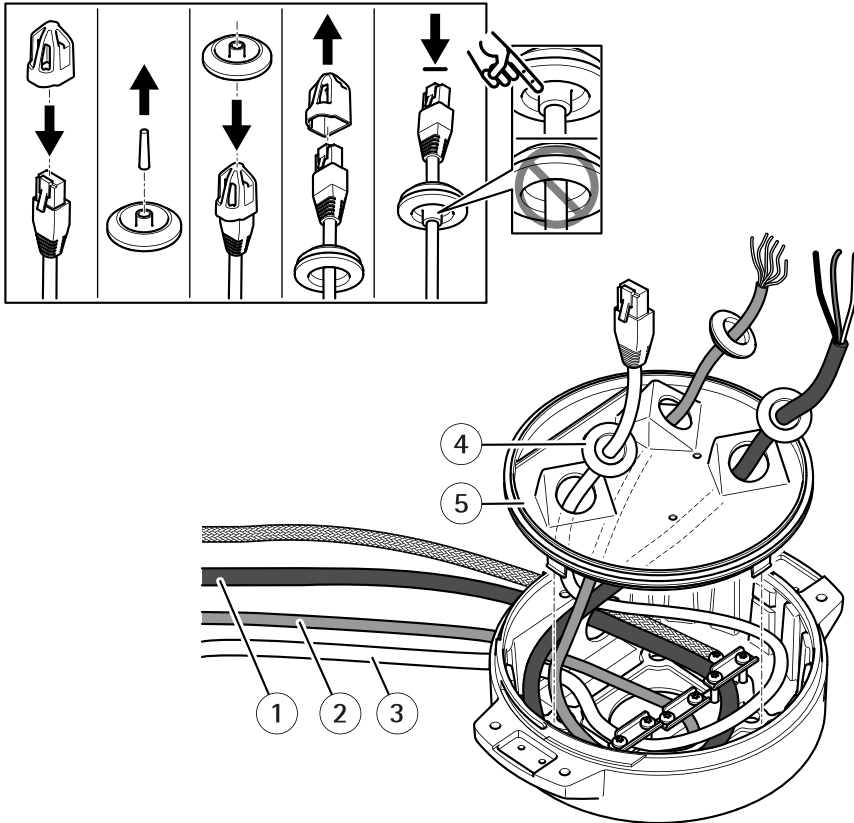
1. Installez les adaptateurs de conduit en option (non fournis).
2. Reliez la tresse de terre à la vis de mise à la terre.
3. Insérez le câble d'alimentation, le câble d'E/S et le câble réseau à travers l'orifice de l'unité de base comme illustré ci-dessus. Vous pouvez aussi les insérer dans l'orifice du câble inférieur.
4. Insérez le câble d'alimentation à travers le réducteur de tension avec une distance de 530 mm (21 po) depuis le réducteur de tension jusqu'à l'extrémité du câble.



- 1 Câble E/S (en option, non fourni)
- 2 Câble réseau (non inclus)

5. Insérez le câble d'E/S (en option) à travers le réducteur de tension avec une distance de 420 mm (16,5 po) depuis le réducteur de tension jusqu'à l'extrémité du câble.
6. Insérez le câble réseau (câble fibre optique et/ou câble RJ45) à travers le réducteur de tension avec une distance de 580 mm (23 po) depuis le réducteur de tension jusqu'à l'extrémité du connecteur. Pour plus d'informations sur les différentes options de connectivité réseau, consultez *Installation de la liaison réseau page 35*.
7. Fermez et serrez les trois reliefs de traction.

# AXIS Q8752-E Bispectral PTZ Camera



- 1 Câble d'alimentation (non inclus)
- 2 Câble E/S (en option, non fourni)
- 3 Câble réseau (non inclus)
- 4 Joint de câble
- 5 Couvercle transparent de l'unité de base

8. Placez les joints sur les câbles. Cf. *Épaisseur du câble page 40.*
9. Insérez les câbles d'alimentation, d'E/S et réseau y compris les joints à travers les orifices du couvercle transparent de l'unité de base et disposez les câbles comme illustré ci-dessus.

## AVIS

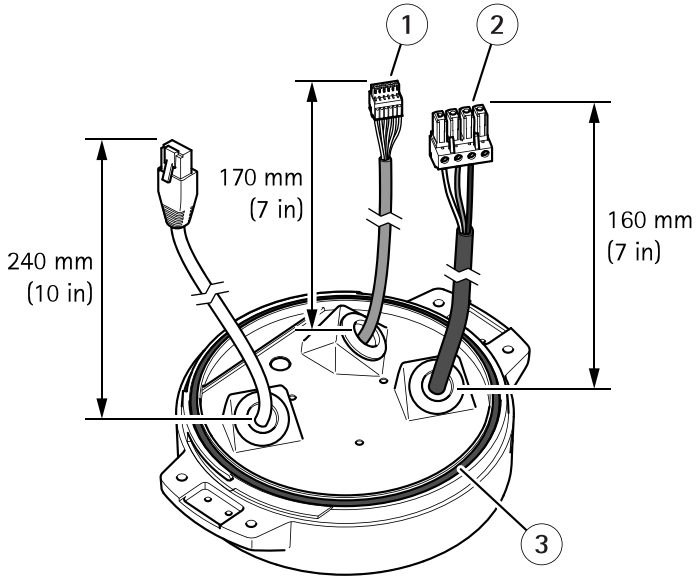
Si vous utilisez un câble à fibre optique et un câble RJ45 pour la connectivité réseau, acheminez le câble à fibre optique à travers le même joint que le câble d'E/S. Appliquez un joint entre les câbles et le joint de câble pour empêcher toute fuite. Pour plus



# AXIS Q8752-E Bispectral PTZ Camera

d'informations sur les différentes options de connectivité réseau, consultez *Installation de la liaison réseau* page 35.

10. Placez le couvercle transparent de l'unité de base sur celle-ci et placez les joints dans les orifices.



- 1 Connecteur d'E/S
- 2 Connecteur d'alimentation
- 3 Joint torique

## AVIS

Pour ne pas débrancher accidentellement l'unité de l'alimentation électrique si le câble est tiré, le câble de mise à la terre de protection doit être plus long d'environ 10 mm (0,4 po) que les deux autres fils (dans le câble d'alimentation).

## Note

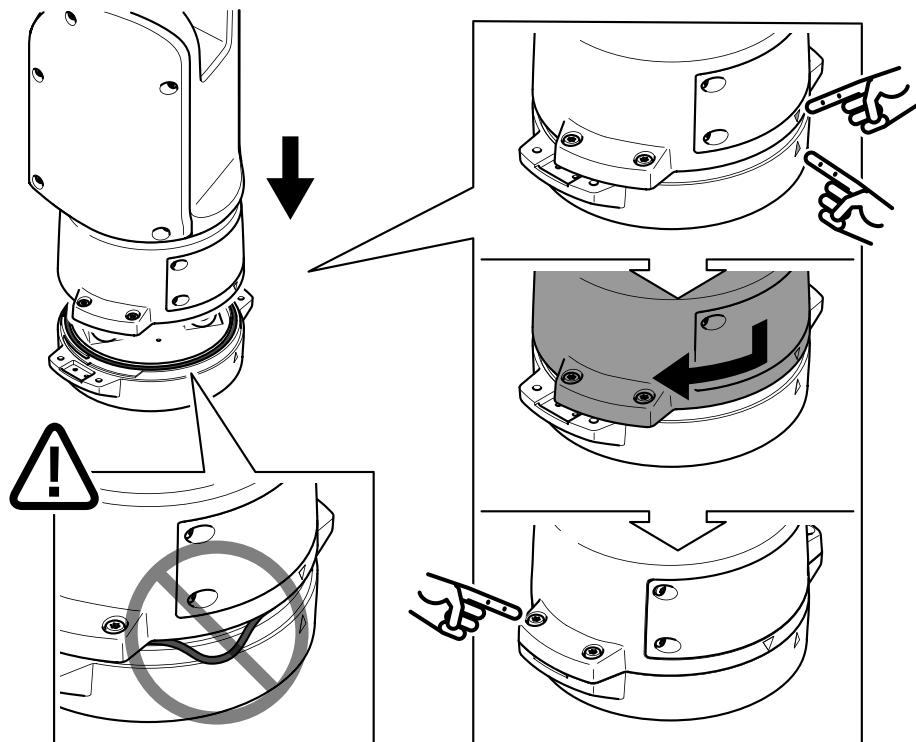
Pour faciliter l'installation, nous vous recommandons de dénuder environ 90 mm (3,5 po) de la gaine du câble d'alimentation et 70 mm (2,8 po) de la gaine de câble d'E/S.

11. Installez les connecteurs d'alimentation et d'E/S.
12. Réglez les câbles réseau, d'E/S et d'alimentation de sorte que la distance depuis le joint du câble jusqu'à l'extrémité du connecteur soit respectivement de 240 mm (10 po), 170 mm (7 po) et 160 mm (7 po).

## AXIS Q8752-E Bispectral PTZ Camera

### AVIS

Assurez-vous que les joints toriques sont correctement fixés autour du couvercle transparent de l'unité de base.

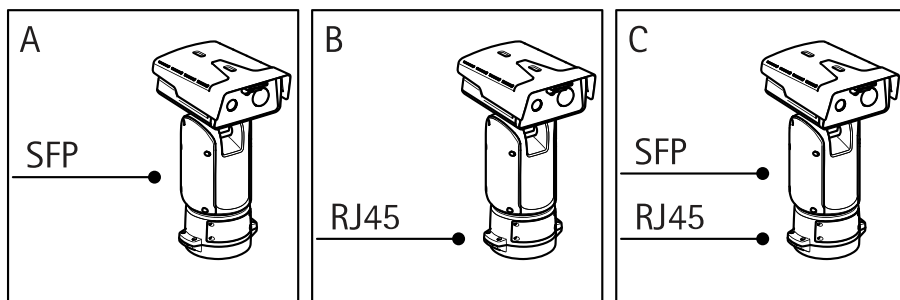


13. Placez l'unité de positionnement sur l'unité de base. Assurez-vous que les flèches des deux unités sont alignées.
14. Tournez l'unité de positionnement dans le sens des aiguilles d'une montre jusqu'à sa position d'origine et serrez les quatre vis de l'unité de base (couple de 3,0 Nm).

### AVIS

Assurez-vous de ne pas pincer les câbles lors de l'assemblage des deux unités.

## Installation de la liaison réseau



FR

Vous pouvez choisir entre plusieurs options lorsque vous installez la liaison réseau :

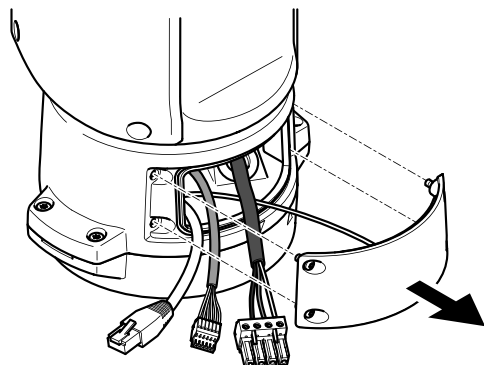
- A : via un câble à fibre optique ou un câble RJ45 raccordé au module SFP (avec connecteur correspondant) sur l'emplacement SFP.
- B : via un câble RJ45 raccordé au connecteur RJ45 fixe.
- C : via les deux solutions ci-dessus, auquel cas la connexion du module SFP fonctionne comme la liaison réseau primaire et la connexion RJ45 fixe fonctionne comme la liaison de secours.

Pour plus d'informations sur les emplacements des connecteurs réseau, voir *Vue d'ensemble du produit* page 26.

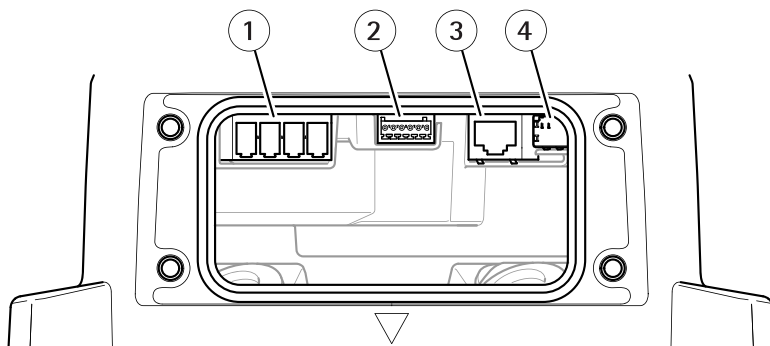
### Note

- Le module SFP n'est pas fourni. Pour plus d'informations sur les modules SFP, consultez le site [axis.com](http://axis.com)
- Si vous installez une liaison réseau uniquement via le câble à fibre optique à l'aide du module SFP respectif, elle fonctionne comme une solution autonome pour les installations de câblage longue distance.

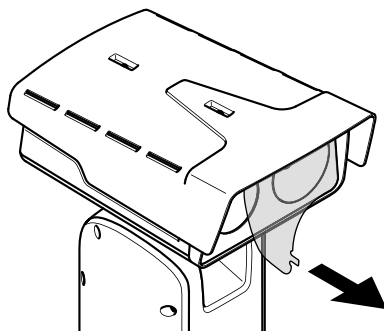
## Branchez les câbles



1. Desserrez les quatre vis du couvercle (T20) et retirez le couvercle.



- 1 *Connecteur d'alimentation d'entrée*
  - 2 *Connecteur E/S*
  - 3 *Connecteur RJ45*
  - 4 *Emplacement SFP pour module SFP (module SFP non inclus)*
2. Branchez le câble réseau (fibre optique et/ou RJ45), E/S et d'alimentation. Pour plus d'informations sur les différentes options de connectivité réseau, consultez *Installation de la liaison réseau* page 35.
  3. Remettez le couvercle en place et serrez les quatre vis du couvercle (couple de serrage 3,0 Nm).



4. Retirez le couvercle de protection.
5. Mettez le produit sous tension.

## Retirer le couvercle supérieur

### ⚠ATTENTION

⚠ Risques de blessures. Pièces mobiles. Restez à l'écart du produit lorsqu'il est en cours de fonctionnement. Débranchez l'alimentation électrique avant d'installer le produit ou d'effectuer son entretien.

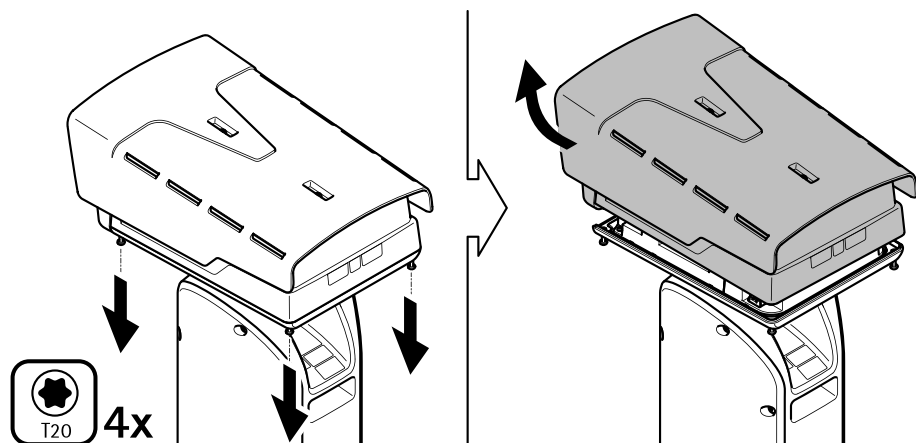
### ⚠ATTENTION

⚠ Risques de blessures. Surfaces chaudes. Ne touchez pas le produit lorsqu'il est en cours de fonctionnement. Débranchez l'alimentation électrique et laissez les surfaces refroidir avant d'effectuer l'entretien du produit.

### AVIS

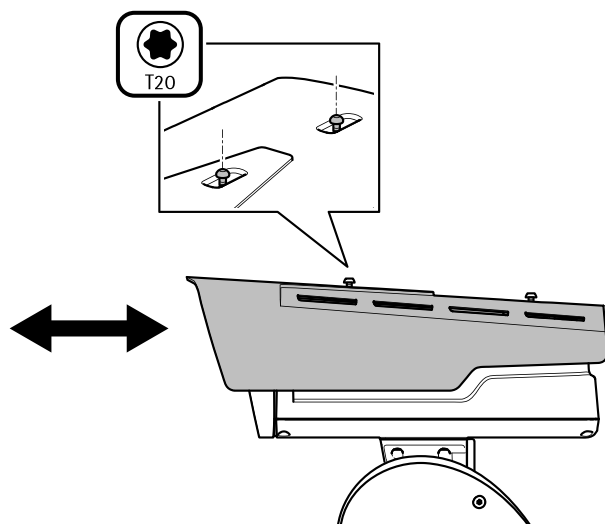
Lorsque vous déposez le couvercle supérieur, vous exposez des parties de la caméra visuelle sensibles aux chocs. Assurez-vous de ne pas toucher la caméra sans protection avec le couvercle supérieur lorsque vous le retirez.

Pour insérer une carte SD ou réinitialiser aux valeurs par défaut, retirez le couvercle supérieur :



Pour savoir où insérer la carte SD ou réinitialiser aux valeurs par défaut, voir *Vue d'ensemble du produit* page 26. Pour plus d'informations, reportez-vous au manuel de l'utilisateur sur [axis.com](http://axis.com)

## Ajuster la protection étanche



1. Desserrez les deux vis de la protection étanche.

## AXIS Q8752-E Bispectral PTZ Camera

---

2. Placez la protection étanche dans la position de votre choix.
3. Serrez les deux vis de la protection étanche (couple de serrage 0,8 Nm).

FR

## Caractéristiques

Pour obtenir la dernière version de la fiche technique du produit, rendez-vous sur la page du produit sur le site [axis.com](http://axis.com) et trouvez l'option **Support & Documentation (Assistance et documentation)**.

### Épaisseur du câble

Le diamètre du câble, lors de l'utilisation de joints de câble fournis avec le produit, doit être comprise entre 5 et 11 mm (0,2 à 0,4 po).

#### **AVIS**

- Utilisez des câbles adaptés à la zone spécifiée
- Sélectionnez des câbles conformes à la législation locale
- Assurez-vous que les passages de câbles sont correctement scellés
- Utilisez des joints de câble et des presse-étoupes adaptés aux passages de câbles et à la zone de câble

Pour plus d'informations sur les accessoires, tels que les joints de câble et les presse-étoupes adaptés à d'autres zones de câble, consultez [www.axis.com](http://www.axis.com)



## Informations sur la sécurité

### Niveaux de risques

#### **▲ DANGER**

Indique une situation dangereuse qui, si elle n'est pas évitée, entraînera le décès ou des blessures graves.

#### **▲ AVERTISSEMENT**

Indique une situation dangereuse qui, si elle n'est pas évitée, pourrait entraîner le décès ou des blessures graves.

#### **▲ ATTENTION**

Indique une situation dangereuse qui, si elle n'est pas évitée, pourrait entraîner des blessures légères ou modérées.

#### **AVIS**

Indique une situation qui, si elle n'est pas évitée, pourrait endommager l'appareil.

### Autres niveaux de message

#### **Important**

Indique les informations importantes, nécessaires pour assurer le bon fonctionnement de l'appareil.

#### **Note**

Indique les informations utiles qui permettront d'obtenir le fonctionnement optimal de l'appareil.

### Consignes de sécurité


#### **▲ DANGER**

Risque de choc électrique. Tous les câbles doivent être mis hors tension avant l'installation ou une intervention de maintenance sur le produit.


#### **▲ AVERTISSEMENT**

Le produit Axis doit être installé par un professionnel qualifié et conformément aux lois et réglementations locales en vigueur.

#### **▲ ATTENTION**

 Risques de blessures. Pièces mobiles. Restez à l'écart du produit lorsqu'il est en cours de fonctionnement. Débranchez l'alimentation électrique avant d'installer le produit ou d'effectuer son entretien.

#### **▲ ATTENTION**

 Risques de blessures. Surfaces chaudes. Ne touchez pas le produit lorsqu'il est en cours de fonctionnement. Débranchez l'alimentation électrique et laissez les surfaces refroidir avant d'effectuer l'entretien du produit.

#### **AVIS**

- Le produit Axis doit être utilisé conformément aux lois et règlements locaux.

- Conserver ce produit Axis dans un environnement sec et ventilé.
- Ne pas exposer ce produit Axis aux chocs ou aux fortes pressions.
- Ne pas installer ce produit sur des poteaux, supports, surfaces ou murs instables.
- Utiliser uniquement des outils recommandés pour l'installation de l'appareil Axis. L'application d'une force excessive sur l'appareil avec des outils puissants pourrait l'endommager.
- Ne pas utiliser de produits chimiques, de substances caustiques ou de nettoyeurs pressurisés.
- Utiliser un chiffon propre imbibé d'eau pure pour le nettoyage.
- Utiliser uniquement des accessoires conformes aux caractéristiques techniques de votre produit. Ils peuvent être fournis par Axis ou un tiers. Axis recommande d'utiliser un équipement d'alimentation Axis compatible avec votre produit.
- Utiliser uniquement les pièces de rechange fournies ou recommandées par Axis.
- Ne pas essayer de réparer vous-même ce produit. Contacter l'assistance technique d'Axis ou votre revendeur Axis pour des problèmes liés à l'entretien.
- Évitez de pointer l'objectif de la caméra vers le soleil ou toute autre source de radiation de haute intensité. Cela risque d'endommager la caméra.

### Transport

#### **AVIS**

- Lors du transport du produit Axis, utilisez l'emballage d'origine ou un équivalent pour éviter d'endommager le produit.

### Batterie

Le produit Axis utilise une batterie au lithium BR2032 3,0 V comme alimentation de son horloge en temps réel interne (RTC). Dans des conditions normales, cette batterie a une durée de vie minimale de cinq ans.

Si la batterie est faible, le fonctionnement de l'horloge en temps réel peut être affecté et entraîner sa réinitialisation à chaque mise sous tension. Un message enregistré apparaît dans le rapport de serveur du produit lorsque la tension de la batterie est basse.

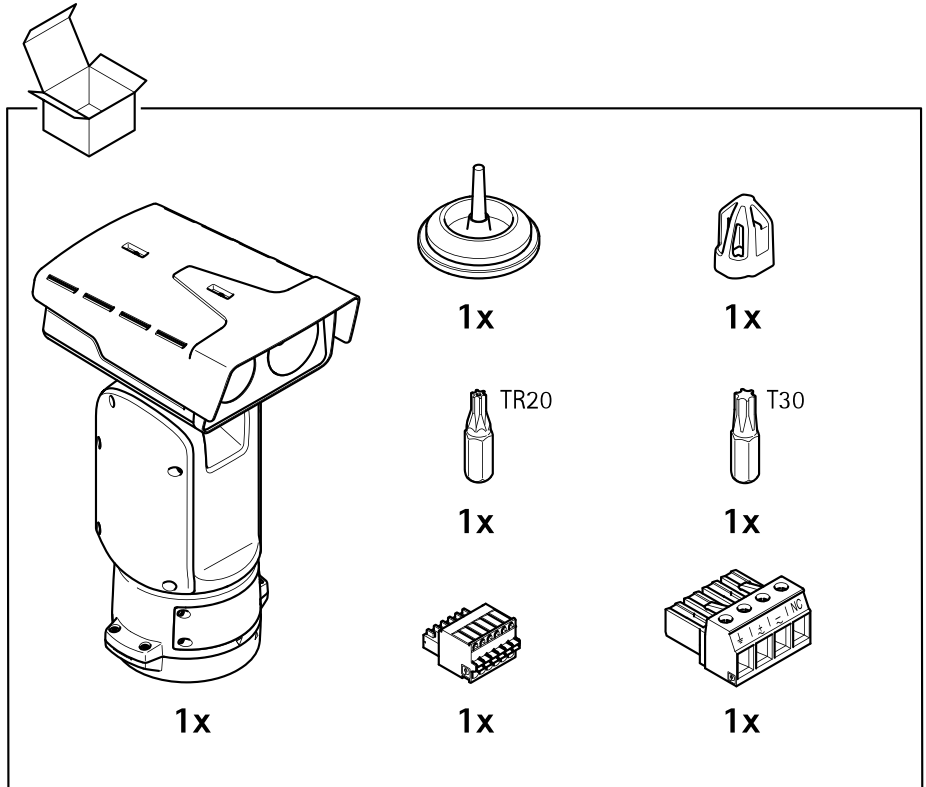
#### **▲ ATTENTION**

Ne remplacez pas la batterie vous-même. Contactez le support Axis si le message du journal demande un changement de batterie.

Les piles boutons 3,0 V au lithium contiennent du 1,2-diméthoxyéthane, éthylène glycol diméthyl éther (EGDME), CAS n° 110-71-4.



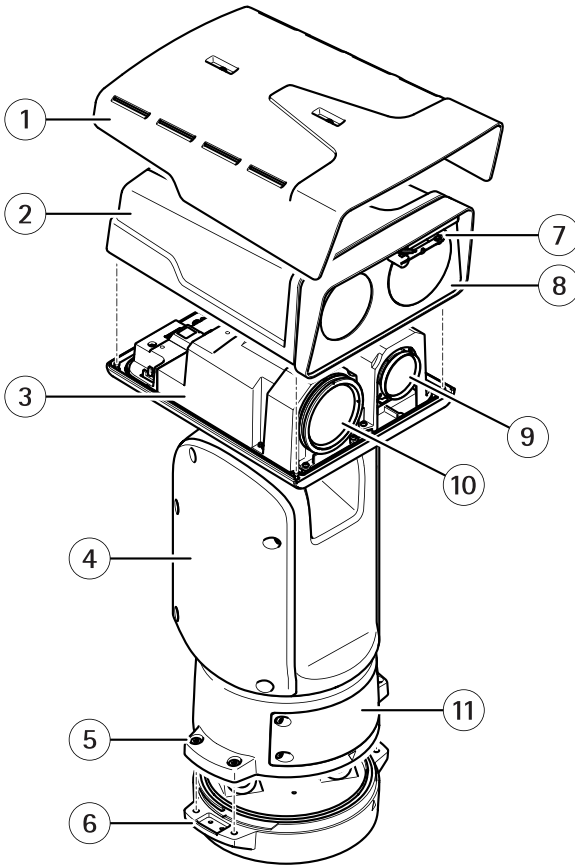
## Lieferumfang



DE

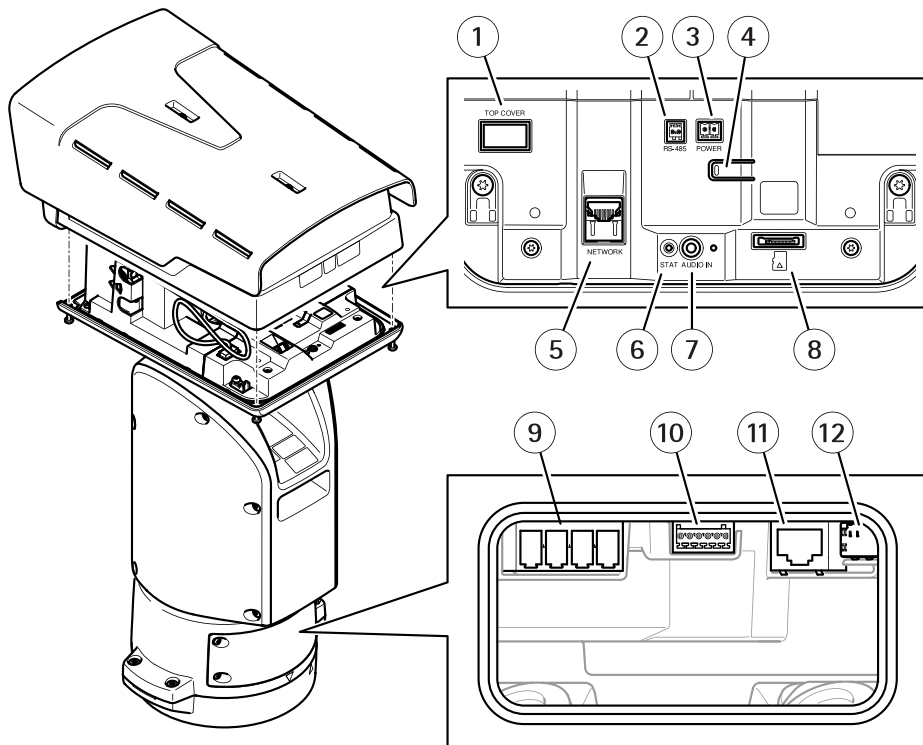
# AXIS Q8752-E Bispectral PTZ Camera

## Produktübersicht



- 1 Wetterschutz
- 2 Obere Abdeckung
- 3 Innere Abdeckung
- 4 Positionierungseinheit
- 5 Schrauben der Basiseinheit
- 6 Basiseinheit
- 7 Wischer
- 8 Front mit Schutzfolie
- 9 Lichtbildobjektiv
- 10 Wärmebildobjektiv
- 11 Deckel

# AXIS Q8752-E Bispectral PTZ Camera



DE

- 1 Anschluss obere Abdeckung
- 2 RS485-Steckverbinder
- 3 Stromanschluss
- 4 Steuertaste
- 5 RJ-45-Anschluss
- 6 LED-Statusanzeige
- 7 Audio-IN-3,5-mm-Stecker
- 8 SD-Kartensteckplatz (microSD, Karte nicht im Lieferumfang enthalten)
- 9 Stromversorgungsanschluss Eingang
- 10 E/A-Anschluss
- 11 RJ-45-Anschluss
- 12 SFP-Einschub für SFP-Modul (nicht enthalten)

## Installieren des Produkts

### ⚠GEFAHR

Stromschlaggefahr Vor der Installation oder Wartung des Produkts müssen alle Kabel von der Stromversorgung abgeklemmt werden.

### ⚠VORSICHT

Die Installation der elektrischen Anschlüsse und Kabelkanäle darf nur von einem zugelassenen Elektriker in Übereinstimmung mit den geltenden Bestimmungen vorgenommen werden.

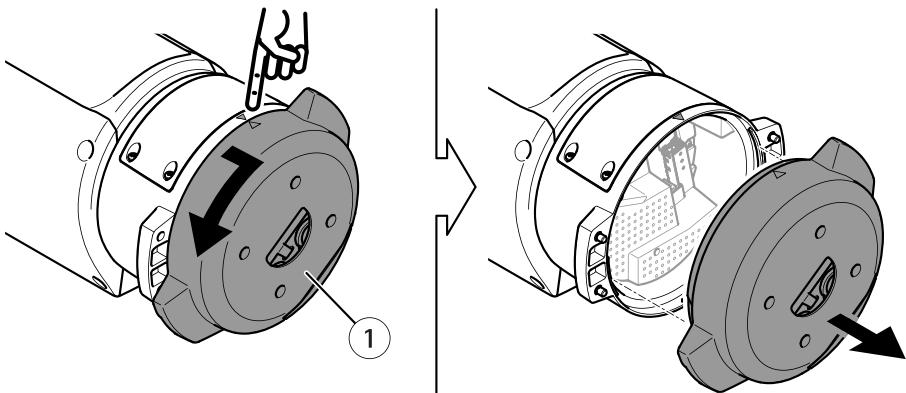
### ⚠VORSICHT

⚠ Verletzungsgefahr Gefahr durch bewegliche Teile Körperteile während des Betriebs vom Produkt fernhalten. Vor der Installation oder Wartung des Produkts alle Kabel von der Stromversorgung abklemmen.

### ⚠VORSICHT

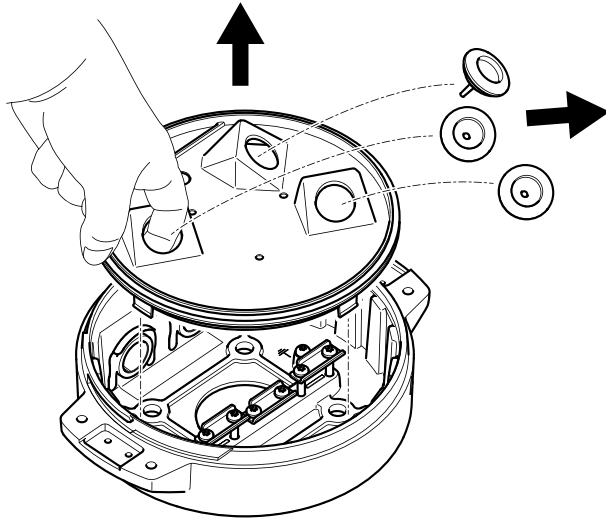
⚠ Verletzungsgefahr Heiße Oberfläche Das Produkt während des Betriebs nicht berühren. Trennen Sie vor Wartungsarbeiten die Stromversorgung und lassen Sie die Oberflächen des Produkts abkühlen.

## Montieren der Gerätebasis



1 Basiseinheit

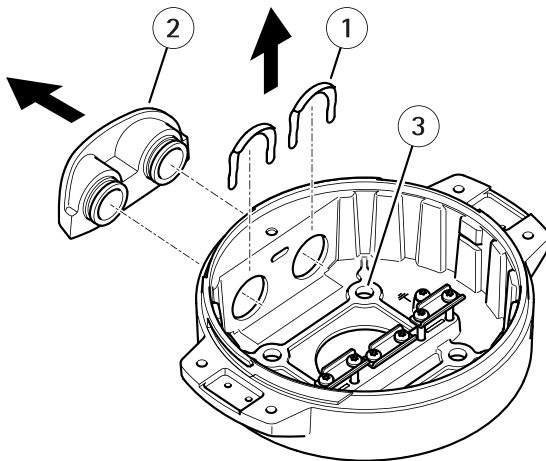
1. Die vier Schrauben (T30) der Gerätebasis entfernen.
2. Die Gerätebasis gleichzeitig ziehen und gegen den Uhrzeigersinn drehen, bis die Pfeile auf der Gerätebasis und dem Rest des Geräts in einer Linie stehen.
3. Die Gerätebasis entfernen.



## HINWEIS

Beim Entfernen der transparenten Abdeckung der Gerätebasis keine spitzen Werkzeuge verwenden.

4. Die transparente Abdeckung der Gerätebasis entfernen.



1 Klammer der Kabelführung

# AXIS Q8752-E Bispectral PTZ Camera

- 2 Abdeckung der Kabelführung
  - 3 Schraubenbohrung (4 x)
5. Nur bei Installationen über die Kabelführung: Zuerst die beiden Klammern der Kabelführung und anschließend die Abdeckung der Kabelführung entfernen.
  6. Die Gerätebasis mit geeigneten Befestigungselementen für die vier Schraubenbohrungen an der Befestigungsfläche anbringen.

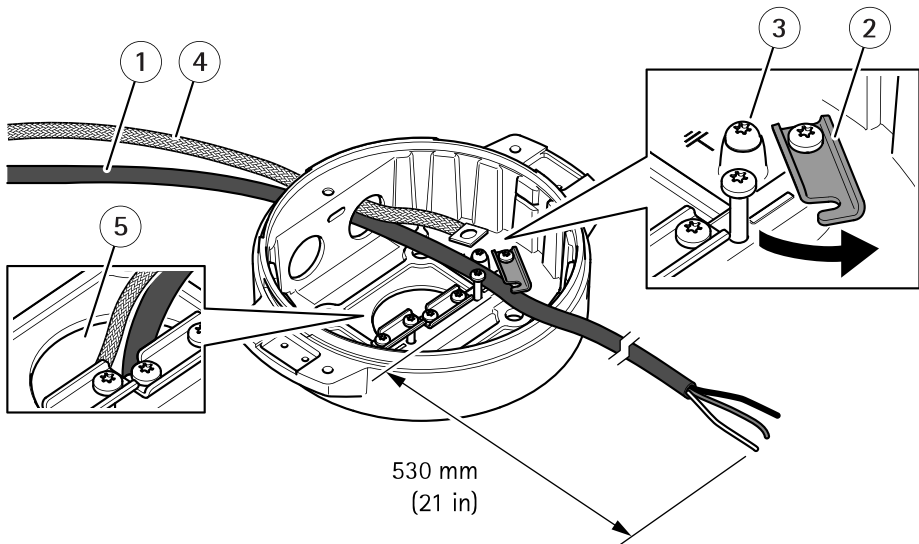
## Die Kabel verlegen

### ⚠ WARNUNG

Stromschlaggefahr. Das Produkt muss geerdet werden. Dazu müssen sowohl der Schutzleiter im Stromversorgungskabel als auch das Erdungsband verwendet werden. Sicherstellen, dass beide Enden des Schutzleiters und des Erdungsbandes Kontakt mit den entsprechenden Erdungsflächen haben.

### Wichtig

Nur Kabel mit dem vorgegebenen Kabelquerschnitt verwenden. Weitere Informationen finden Sie unter *Kabelstärke* auf Seite 58.

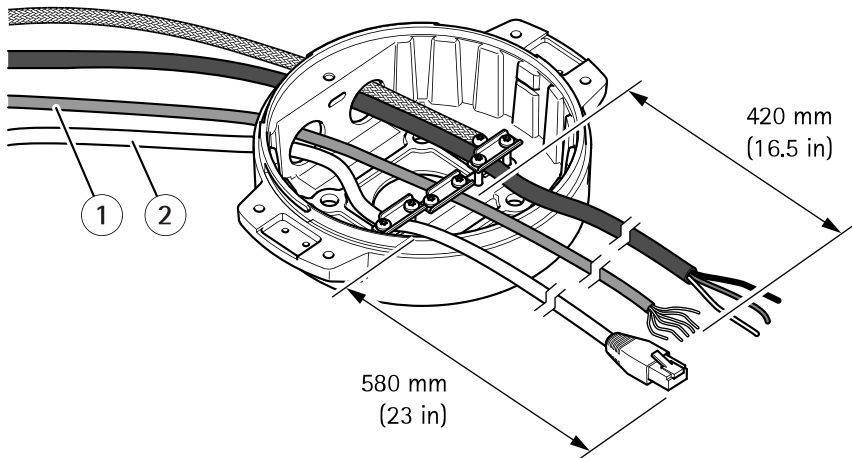


- 1 Stromversorgungskabel (nicht im Lieferumfang enthalten)
- 2 Zugentlastung
- 3 Masseschraube
- 4 Erdungsband (nicht im Lieferumfang enthalten)



## 5 Kabelöffnung unten

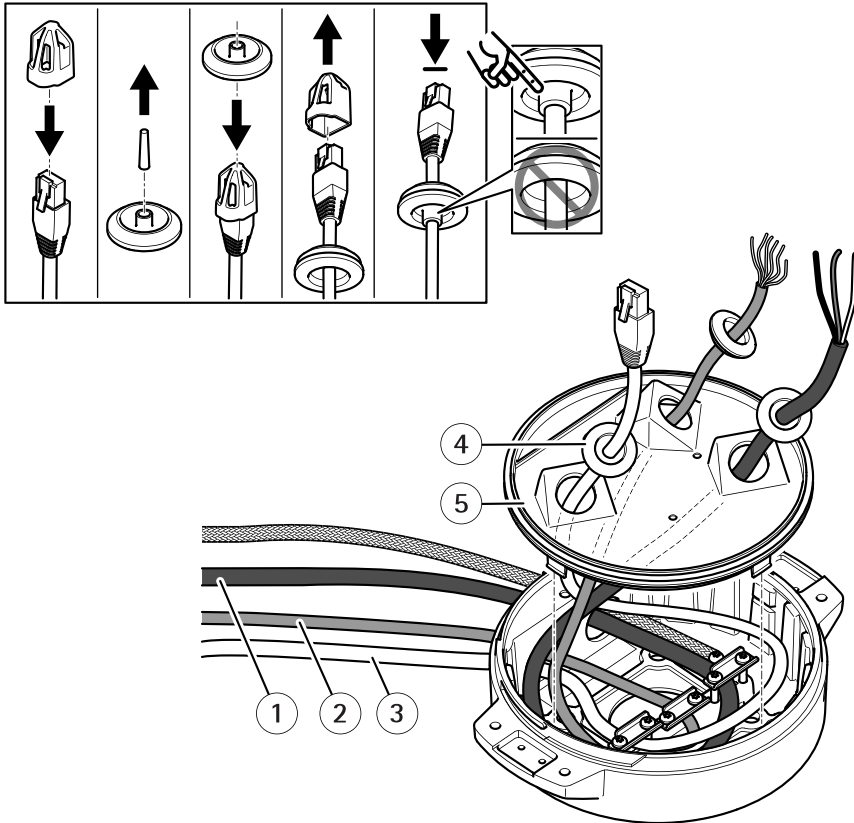
1. Die optionalen Kabelführungsadapter installieren (nicht im Lieferumfang enthalten).
2. Das Erdungskabel mit der Erdungsschraube befestigen.
3. Die Kabel für Stromversorgung, Netzwerk und E/A einschließlich der Kabelverschraubungen wie in der Abbildung oben durch die Öffnung des Basisgeräts führen. Alternativ die Kabel durch die untere Kabelöffnung einführen.
4. Das Stromversorgungskabel durch die Zugentlastung führen. Dabei eine Länge von 530 mm zwischen Zugentlastung und Kabelende einhalten.



- 1 E/A-Kabel (optional, nicht im Lieferumfang enthalten)
- 2 Netzwerk-Kabel (nicht im Lieferumfang enthalten)

5. Das E/A-Kabel (optional) durch die Zugentlastung führen. Dabei eine Länge von 420 mm zwischen Zugentlastung und Kabelende einhalten.
6. Das Netzwerk-Kabel (Glasfaser oder Kabeltyp RJ-45) durch die Zugentlastung führen. Dabei eine Länge von 580 mm zwischen Zugentlastung und Anschlussende einhalten. Weitere Informationen zu den verschiedenen Anschlussoptionen an das Netzwerk, siehe *Einrichten der Netzwerkverbindung auf Seite 53*.
7. Die drei Zugentlastungen schließen und anziehen.

# AXIS Q8752-E Bispectral PTZ Camera



- 1 Stromversorgungskabel (nicht im Lieferumfang enthalten)
- 2 E/A-Kabel (optional, nicht im Lieferumfang enthalten)
- 3 Netzwerk-Kabel (nicht im Lieferumfang enthalten)
- 4 Kabeldichtung
- 5 Transparente Abdeckung der Gerätebasis

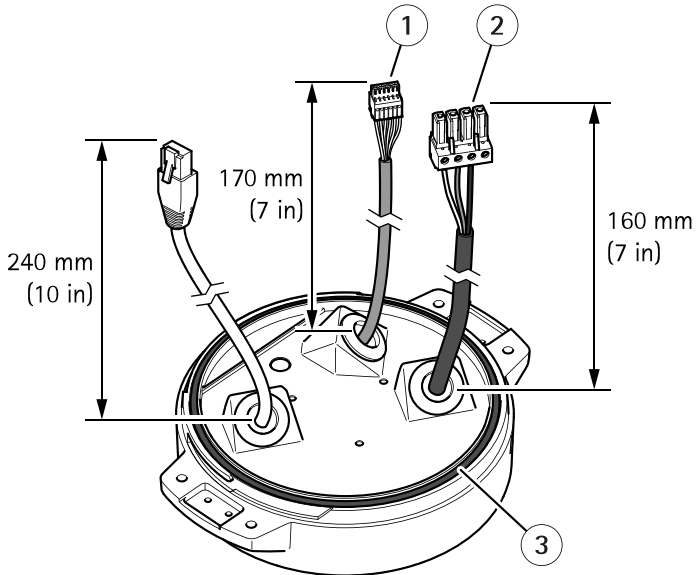
8. Die Kabeldichtungen auf die Kabel schieben. Siehe *Kabelstärke* auf Seite 58.
9. Die Kabel für Stromversorgung, Netzwerk und E/A einschließlich der Kabeldichtungen durch die Öffnungen der transparenten Abdeckung der Gerätebasis führen und die Kabel wie in der Abbildung oben dargestellt ausrichten.

## HINWEIS

Wird sowohl ein Glasfaserkabel als auch ein Kabel des Typs RJ-45 verwendet, das Glasfaserkabel durch dieselbe Kabeldichtung führen wie das E/A-Kabel. Gegen das Eindringen von Feuchtigkeit zwischen Kabeln und Kabeldichtung ein Dichtmittel verwenden.

Weitere Informationen zu den verschiedenen Anschlussoptionen an das Netzwerk, siehe *Einrichten der Netzwerkverbindung auf Seite 53*.

10. Die transparente Abdeckung der Gerätebasis aufsetzen und die Kabeldichtungen in die Öffnungen schieben.



- 1 E/A-Anschluss
- 2 Stromanschluss
- 3 O-Ring

## HINWEIS

Um das Gerät nicht versehentlich von der Stromversorgung zu trennen, wenn das Kabel gezogen wird, lassen Sie den Schutz-Erdungsdraht um 10 0,4 mm länger als die beiden anderen Kabel (im Stromversorgungskabel).

## Beachten

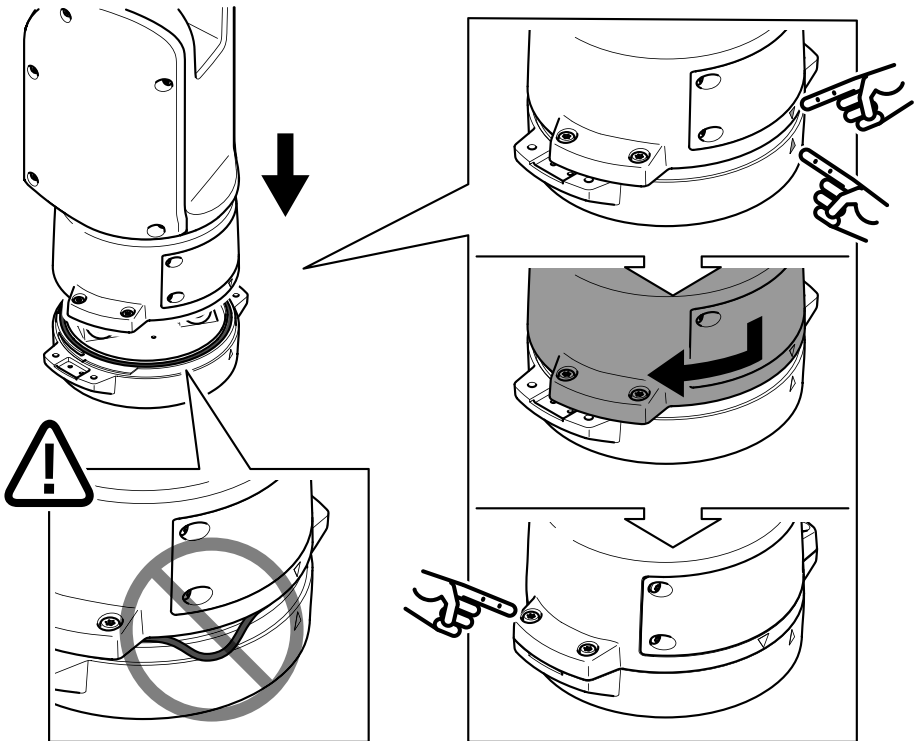
Um die Installation so einfach wie möglich zu machen, wird empfohlen, ca. 90 mm der Stromkabelhülle und 70 mm der E/A-Kabelhülle zu entfernen.

11. Einbau der Stromversorgungs- und E/A-Anschlüsse
12. Die Kabel für Netzwerk, E/A und Stromversorgung so ausrichten, dass die Länge zwischen Kabeldichtung und Ende des Anschlusses jeweils 240 mm, 170 mm und 160 mm beträgt.

# AXIS Q8752-E Bispectral PTZ Camera

## HINWEIS

Sicherstellen, dass der O-Ring richtig um die transparente Abdeckung der Gerätebasis herum eingepasst ist.

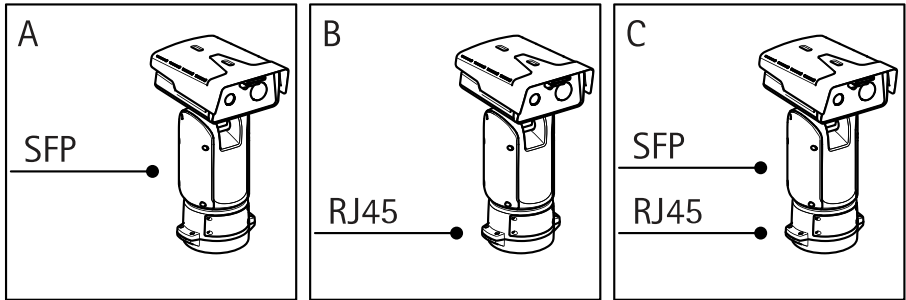


13. Positionieren Sie die Positionierungseinheit auf der Basiseinheit. Stellen Sie sicher, dass die Pfeile an den beiden Geräten ausgerichtet sind.
14. Die Positionierungseinheit im Uhrzeigersinn in ihre Ausgangsstellung drehen und die vier Schrauben der Grundeinheit anziehen (Drehmoment 3,0 Nm).

## HINWEIS

Sicherstellen, dass die Kabel beim Zusammenbauen der beiden Geräte nicht gequetscht werden.

## Einrichten der Netzwerkverbindung



DE

Bei der Installation der Netzwerkverbindung stehen verschiedene Optionen zur Verfügung:

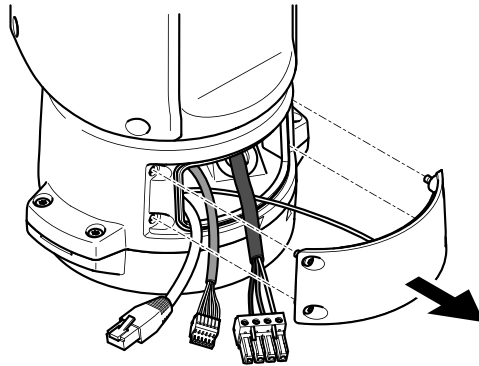
- A: Mithilfe eines Glasfaserkabels oder eines Kabels des Typs RJ-45, das (mit einem entsprechenden Anschluss) an das SFP-Modul im SFP-Einschub angeschlossen wird.
- B: Mithilfe eines Anschlusses des Typs RJ-45 an den festen Anschluss des Typs RJ-45.
- C: Mithilfe beider oben angeführten Möglichkeiten. In diesem Fall agiert der Anschluss über das SFP-Modul als die primäre Netzwerk-Verbindung und die Verbindung über den festen Anschluss des Typs RJ-45 als Fail-Over-Anschluss.

Weitere Informationen zur Lage der Netzwerk-Steckverbindungen, siehe *Produktübersicht auf Seite 44*.

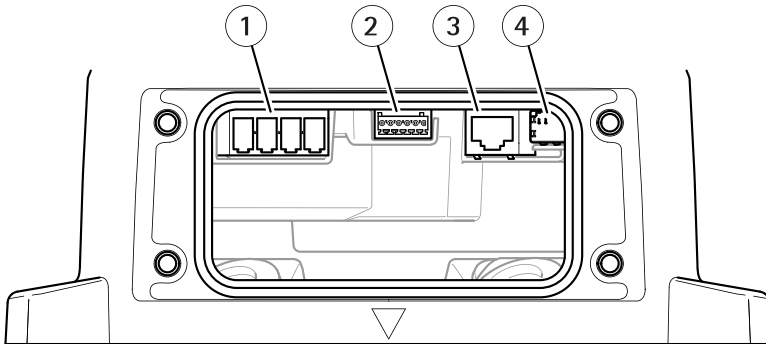
### Beachten

- SFP-Modul nicht im Lieferumfang enthalten. Weitere Informationen zu lieferbaren SFP-Modulen, siehe [axis.com](http://axis.com).
- Die Installation einer Netzwerk-Verbindung ausschließlich über das Glasfaserkabel mittels des entsprechenden SFP-Moduls dient als eigenständige Lösung für Kabelinstallationen mit großer Reichweite.

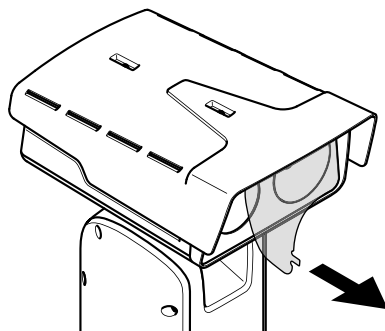
## Anschließen der Kabel



1. Die vier Deckelschrauben (T20) lösen und den Deckel abnehmen.



- 1 *Stromversorgungsanschluss Eingang*
  - 2 *E/A-Anschluss*
  - 3 *RJ-45-Anschluss*
  - 4 *SFP-Einschub für SFP-Module (SFP-Modul nicht enthalten)*
2. Das Netzwerk (Glasfaser und/oder RJ-45), E/A und die Stromversorgung anschließen  
Weitere Informationen zu den verschiedenen Anschlussoptionen an das Netzwerk, siehe *Einrichten der Netzwerkverbindung auf Seite 53*.
  3. Bringen Sie den Deckel an seine Position und ziehen Sie die vier Deckelschrauben an (Drehmoment 3,0 Nm).



4. Entfernen Sie die Schutzabdeckung.
5. Das Produkt an die Stromversorgung anschließen.

## Obere Abdeckung entfernen

### **⚠VORSICHT**

**⚠** Verletzungsgefahr Gefahr durch bewegliche Teile Körperteile während des Betriebs vom Produkt fernhalten. Vor der Installation oder Wartung des Produkts alle Kabel von der Stromversorgung abklemmen.

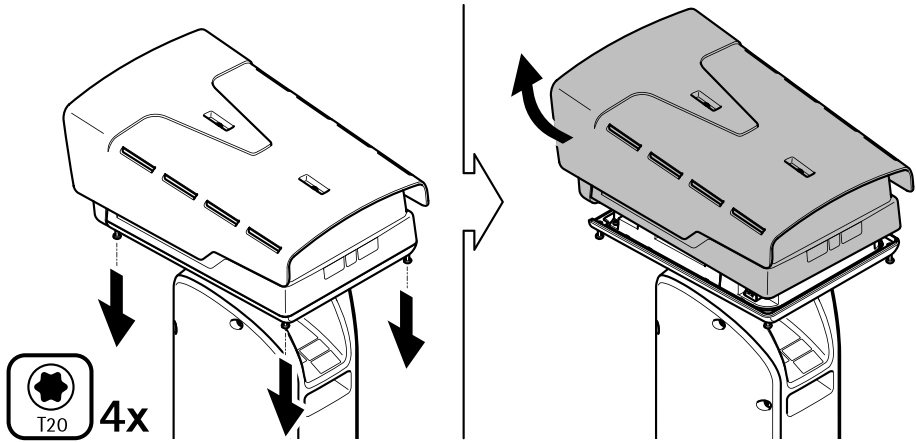
### **⚠VORSICHT**

**⚠** Verletzungsgefahr Heiße Oberfläche Das Produkt während des Betriebs nicht berühren. Trennen Sie vor Wartungsarbeiten die Stromversorgung und lassen Sie die Oberflächen des Produkts abkühlen.

### **HINWEIS**

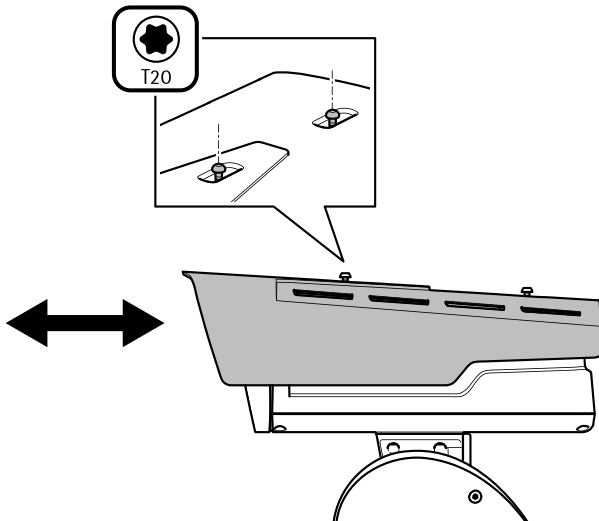
Wenn die obere Abdeckung entfernt ist, liegen stoßempfindliche Teile der Lichtbildkamera frei. Stellen Sie sicher, dass die ungeschützte Kamera beim Entfernen nicht mit der oberen Abdeckung getroffen wird.

Um eine SD-Karte einzusetzen oder auf die Werkseinstellungen zurückzusetzen, die obere Abdeckung entfernen:



Weitere Informationen zum Einsetzen der SD-Karte oder zum Zurücksetzen auf die werksseitige Standardeinstellung finden Sie unter *Produktübersicht auf Seite 44*. Weitere Informationen hierzu finden Sie im Benutzerhandbuch unter [axis.com](http://axis.com).

## Den Wetterschild einstellen



1. Die beiden Schrauben des Wetterschilds lösen.



## AXIS Q8752-E Bispectral PTZ Camera

---

2. Den Wetterschild in die gewünschte Position stellen.
3. Die beiden Schrauben des Wetterschildes anziehen (Drehmoment 0,8 Nm)

DE

## Technische Daten

Die aktuelle Version des technischen Datenblatts für das Produkt finden Sie auf [axis.com](http://axis.com) unter Support und Dokumentation.

### Kabelstärke

Wenn die dem Produkt beiliegenden Kabeldichtungen verwendet werden, muss der Kabeldurchmesser zwischen 5 und 11 mm liegen.

#### **HINWEIS**

- Kabel verwenden, die der Querschnittsvorgabe entsprechen.
- Kabel verwenden, die den örtlichen Vorschriften entsprechen.
- Sicherstellen, dass alle Kabeldurchführungen ordnungsgemäß abgedichtet sind.
- Kabeldichtungen oder Kabelverschraubungen verwenden, die sowohl der Kabeldurchführung als auch dem Kabelquerschnitt entsprechen.

Für Informationen zu Zubehör wie Kabeldichtungen und Kabelverschraubungen für andere Kabelquerschnitte, siehe [www.axis.com](http://www.axis.com).

## Sicherheitsinformationen

### Gefährdungsstufen

#### **▲GEFAHR**

Weist auf eine gefährliche Situation hin, welche, falls nicht verhindert, zu Tod oder schweren Verletzungen führen kann.

#### **▲WARNUNG**

Weist auf eine gefährliche Situation hin, welche, falls nicht verhindert, zu Tod oder schweren Verletzungen führen kann.

#### **▲VORSICHT**

Weist auf eine gefährliche Situation hin, welche, falls nicht verhindert, zu geringfügiger oder mäßiger Verletzung führen kann.

#### **HINWEIS**

Weist auf eine gefährliche Situation hin, welche, falls nicht verhindert, zu Sachschäden führen kann.

### Andere Meldeebenen

#### **Wichtig**

Weist auf wichtige Informationen hin, die den richtigen Betrieb des Produkts gewährleisten.

#### **Beachten**

Weist auf nützliche Informationen hin, die die optimale Verwendung des Produkts unterstützen.

### Sicherheitsanweisungen


#### **▲GEFAHR**

Stromschlaggefahr. Vor der Installation oder Wartung des Produkts muss sichergestellt werden, dass an keinem der Kabel Spannung anliegt.


#### **▲WARNUNG**

Das Axis Produkt muss von fachmännisch geschultem Personal und unter Einhaltung der örtlich geltenden Bestimmungen installiert werden.

#### **▲VORSICHT**

 Verletzungsgefahr Gefahr durch bewegliche Teile Körperteile während des Betriebs vom Produkt fernhalten. Vor der Installation oder Wartung des Produkts alle Kabel von der Stromversorgung abklemmen.

#### **▲VORSICHT**

 Verletzungsgefahr Heiße Oberfläche Das Produkt während des Betriebs nicht berühren. Trennen Sie vor Wartungsarbeiten die Stromversorgung und lassen Sie die Oberflächen des Produkts abkühlen.

#### **HINWEIS**

- Das Axis-Produkt muss unter Beachtung der geltenden Gesetze und Bestimmungen betrieben werden.

- Lagern Sie das Axis Produkt in einer trockenen und belüfteten Umgebung.
- Das Axis-Produkt weder Stößen noch starkem Druck aussetzen.
- Das Produkt nicht an instabilen Masten, Halterungen, Oberflächen oder Wänden anbringen.
- Verwenden Sie bei der Installation des Axis Produkts ausschließlich passende Werkzeuge. Ein zu großer Kraftaufwand mit elektrischen Werkzeugen kann das Produkt beschädigen.
- Verwenden Sie keine chemischen, ätzenden oder aerosolhaltigen Reinigungsmittel.
- Verwenden Sie zum Reinigen ein sauberes, mit destilliertem Wasser angefeuchtetes Tuch.
- Verwenden Sie nur Zubehör, das den technischen Vorgaben Ihres Produkts entspricht. Dieses ist von Axis oder Drittanbietern erhältlich. Axis empfiehlt die mit Ihrem Produkt kompatible Stromversorgung von Axis.
- Verwenden Sie ausschließlich Ersatzteile die von Axis angeboten oder empfohlen werden.
- Versuchen Sie nicht, dieses Produkt selbsttätig zu reparieren. Wenden Sie sich bezüglich Reparatur und Wartung an den Axis Support oder Ihren Axis Händler.
- Richten Sie das Kameraobjektiv nicht direkt auf die Sonne oder andere starke Lichtquellen, um eine Beschädigung der Kamera zu vermeiden.

### Transport

#### **HINWEIS**

- Bei Bedarf transportieren Sie das Axis Produkt in der Originalverpackung oder einer entsprechenden Verpackung, so dass Schäden vermieden werden.

### Batterie

Das Axis Produkt ist mit einer 3,0-V-BR2032-Lithium-Batterie ausgestattet, mit der die interne Echtzeituhr (RTC) versorgt wird. Unter normalen Bedingungen hat die Batterie eine Lebensdauer von mindestens fünf Jahren.

Eine nicht ausreichend geladene Batterie beeinträchtigt den Betrieb der Echtzeituhr, die dann bei jedem Systemstart zurückgesetzt wird. Sie erhalten eine Protokollnachricht im Serverbericht des Produkts, wenn die Batteriespannung niedrig ist.

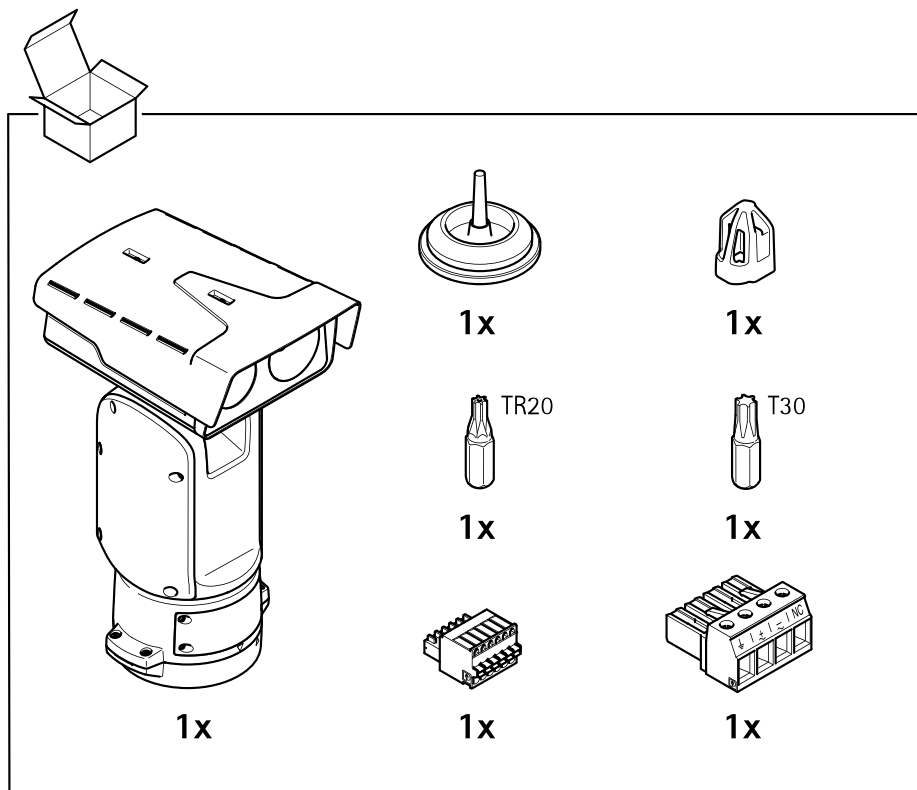
#### **▲VORSICHT**

Tauschen Sie die Batterie nicht selbst aus. Wenden Sie sich an den Axis Support, wenn die Protokollnachricht einen Batterietausch anfordert.

Lithium-Knopfzellen (3,0 V) enthalten 1,2-Dimethoxyethan; Ethylenglycoldimethylether (EGDME), CAS-Nr. 110-71-4.



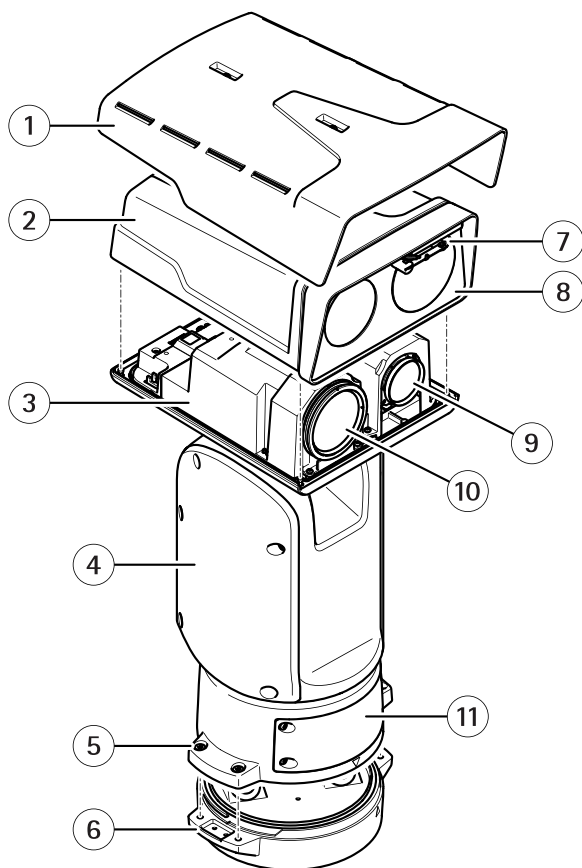
## Contenuto della confezione



IT

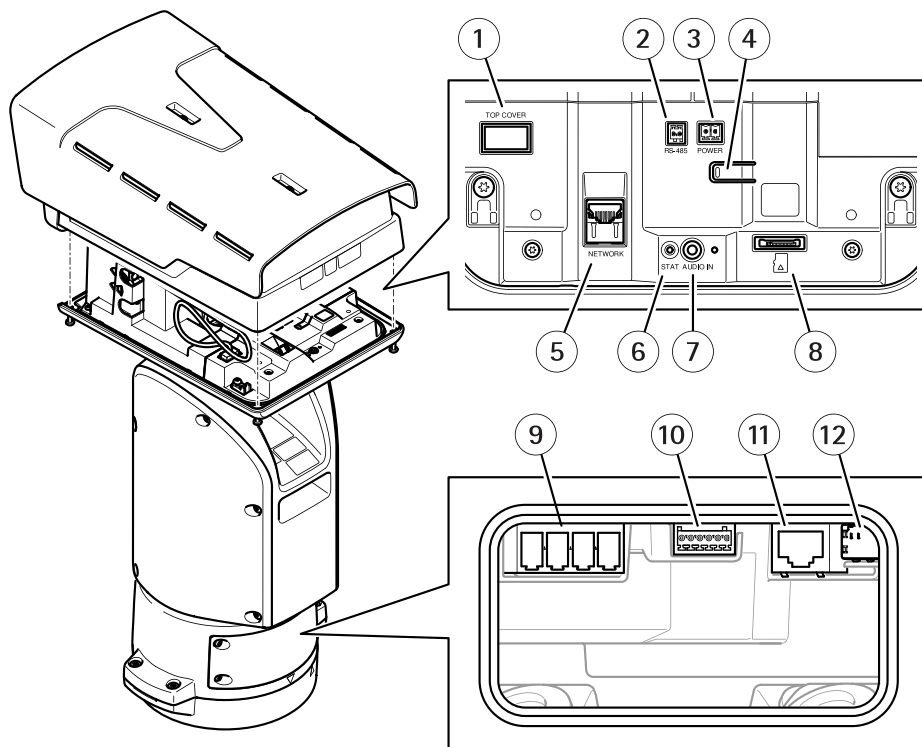
# AXIS Q8752-E Bispectral PTZ Camera

## Panoramica del dispositivo



- 1 Schermo di protezione dagli agenti atmosferici
- 2 Copertura superiore
- 3 Copertura interna
- 4 Unità di posizionamento
- 5 Viti dell'unità base
- 6 Unità base
- 7 Tergicristallo
- 8 Parte anteriore con lamina protettiva
- 9 Obiettivo visivo
- 10 Obiettivo termico
- 11 Coperchio

# AXIS Q8752-E Bispectral PTZ Camera



IT

- 1 Connettore copertura superiore
- 2 Connettore RS485
- 3 Connettore di alimentazione
- 4 Pulsante di comando
- 5 Connettore RJ45
- 6 LED di stato
- 7 Connettore ingresso audio da 3,5 mm
- 8 Slot per schede di memoria SD (microSD, scheda non inclusa)
- 9 Connettore ingresso alimentazione
- 10 Connettore I/O
- 11 Connettore RJ45
- 12 Slot SFP per modulo SFP (non incluso)

## Come installare il dispositivo

### ⚠ PERICOLO

Rischio di scosse elettriche. Tutti i cavi non saranno sotto tensione prima di installare il dispositivo.

### ⚠ ATTENZIONE

Le connessioni elettriche e l'installazione dei tubi protettivi devono essere effettuate da un elettricista certificato e in conformità alle normative locali.

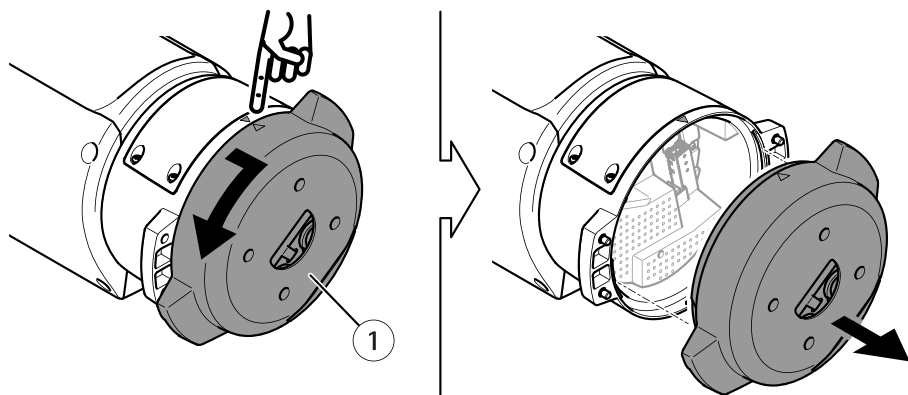
### ⚠ ATTENZIONE

⚠ Rischio di lesioni. Parti in movimento. Tenere il corpo a distanza dal dispositivo durante il funzionamento. Scollegare dall'alimentazione prima di installare o eseguire la manutenzione sul dispositivo.

### ⚠ ATTENZIONE

⚠ Rischio di lesioni. Superficie calda. Non toccare il dispositivo durante il funzionamento. Scollegare dall'alimentazione e lasciar raffreddare le superfici prima di eseguire la manutenzione sul dispositivo.

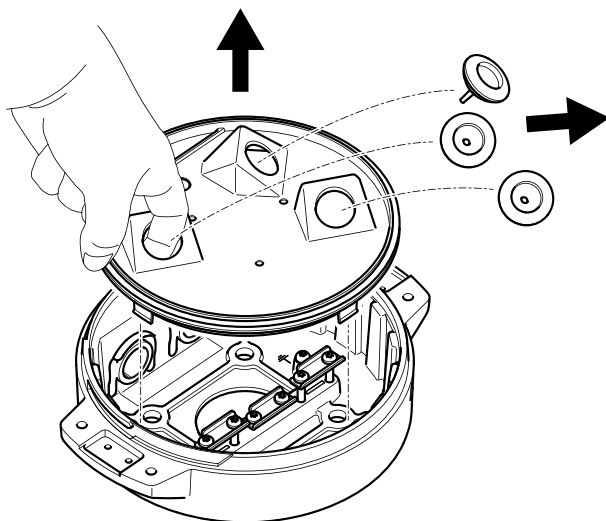
## Montaggio dell'unità base



1 Unità base

1. Rimuovere le quattro viti (T30) dell'unità base.
2. Estrarre e ruotare simultaneamente l'unità base in senso antiorario finché le frecce sull'unità base e sul resto dell'unità di posizionamento non si allineano.
3. Rimuovere l'unità base.

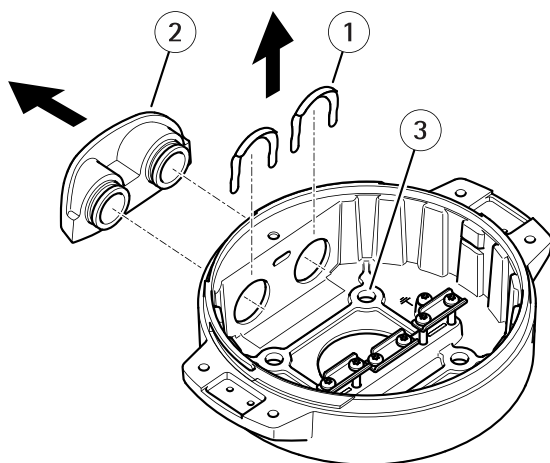




**AVVISO**

Non utilizzare strumenti appuntiti quando si rimuove il coperchio trasparente dell'unità base.

4. Rimuovere il coperchio trasparente dell'unità base.



1 *Clip del coperchio del tubo protettivo*

# AXIS Q8752-E Bispectral PTZ Camera

- 2 Coperchio del tubo protettivo
- 3 Foro per vite (x4)

- 5. Solo per le installazioni di tubi protettivi: rimuovere le due clip del coperchio del tubo protettivo e poi il coperchio del tubo protettivo stesso.
- 6. Fissare l'unità base alla superficie di montaggio con i fissaggi appropriati nei quattro fori delle viti.

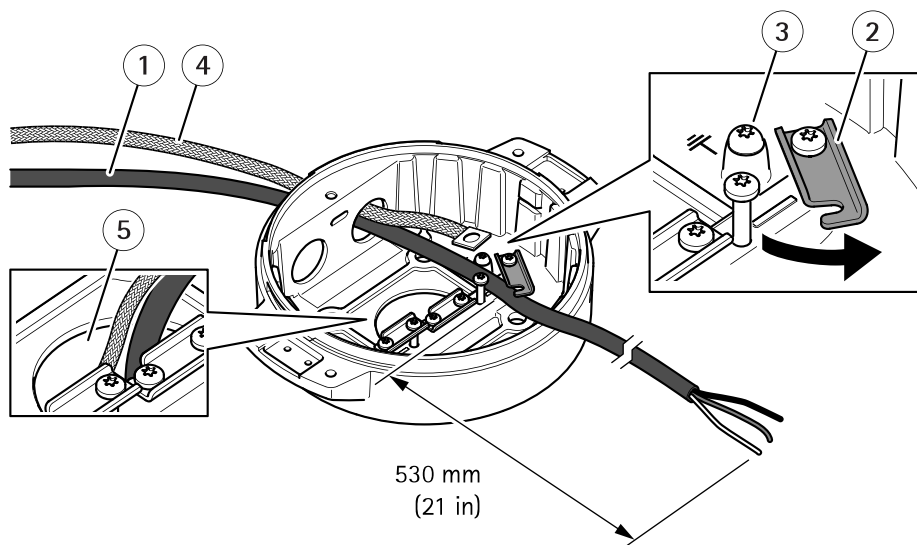
## Installazione dei cavi

### ⚠AVVERTENZA

Rischio di scosse elettriche. Questo dispositivo deve essere collegato a terra utilizzando il cavo di messa a terra di protezione nel cavo di alimentazione e la treccia di messa a terra. Assicurarsi che entrambe le estremità del cavo di messa a terra di protezione e della treccia di messa a terra siano in contatto con le rispettive superfici di messa a terra.

### Importante

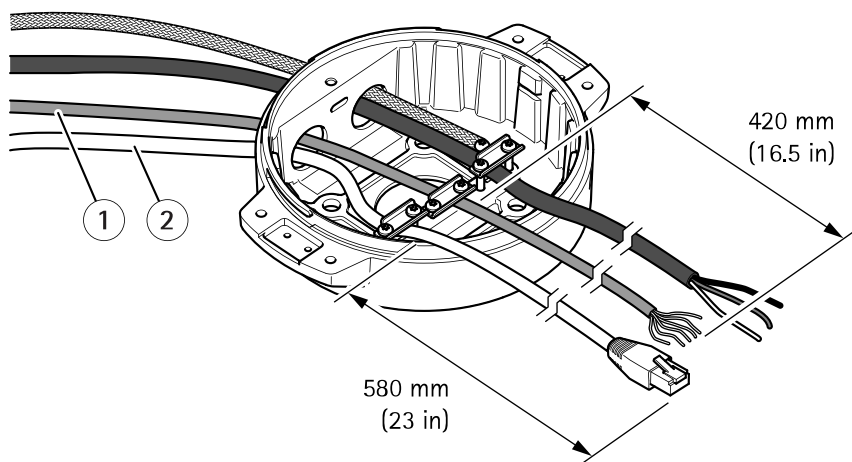
Utilizzare solo cavi conformi all'area dei cavi specificata. Per ulteriori informazioni, vedere *Spessore del cavo alla pagina 76*.



- 1 Cavo di alimentazione (non incluso)
- 2 Dispositivo antistrappo
- 3 Vite di messa a terra
- 4 Treccia di messa a terra (non inclusa)

## 5 Foro per cavo inferiore

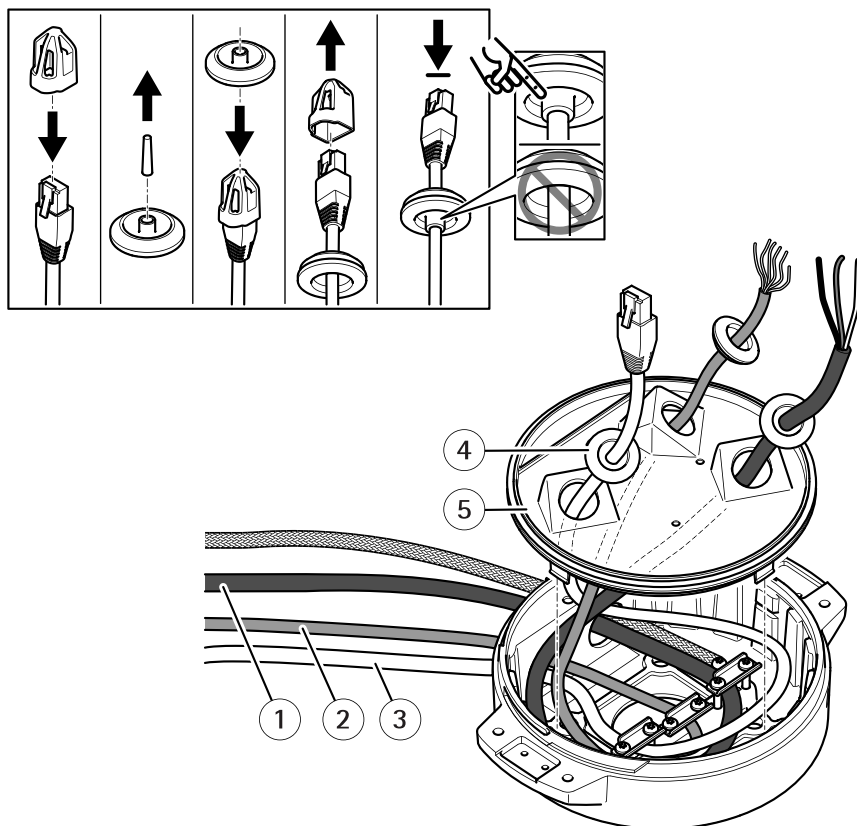
1. Installare gli adattatori dei tubi protettivi opzionali (non inclusi).
2. Collegare la treccia di messa a terra alla vite della messa a terra.
3. Inserire il cavo di alimentazione, il cavo di rete e il cavo I/O attraverso il foro nell'unità base come mostrato nell'illustrazione sopra riportata. In alternativa, inserirli nel foro del cavo inferiore.
4. Inserire il cavo di alimentazione nel dispositivo antistrappo con una distanza di 530 mm tra il dispositivo antistrappo e l'estremità del cavo.



- 1 Cavo I/O (opzionale, non incluso)
- 2 Cavo di rete (non incluso)

5. Inserire il cavo I/O (opzionale) nel dispositivo antistrappo con una distanza di 420 mm tra il dispositivo antistrappo e l'estremità del cavo.
6. Inserire il cavo di rete (cavo in fibra ottica e/o cavo RJ45) nel dispositivo antistrappo ad una distanza di 580 mm dal dispositivo antistrappo all'estremità del connettore. Per ulteriori informazioni sulle differenti opzioni di connettività di rete, vedere *Installazione del collegamento di rete alla pagina 71*.
7. Chiudere e avvitare i tre dispositivi antistrappo.

## AXIS Q8752-E Bispectral PTZ Camera



- 1 Cavo di alimentazione (non incluso)
- 2 Cavo I/O (opzionale, non incluso)
- 3 Cavo di rete (non incluso)
- 4 Guarnizione per cavi
- 5 Coperchio trasparente dell'unità base

8. Inserire le guarnizioni sui cavi. Vedere *Spessore del cavo alla pagina 76*.
9. Inserire il cavo di alimentazione, di rete e I/O comprese le guarnizioni attraverso i fori nel coperchio trasparente dell'unità base e sistemare i cavi come mostrato nell'illustrazione sopra riportata.

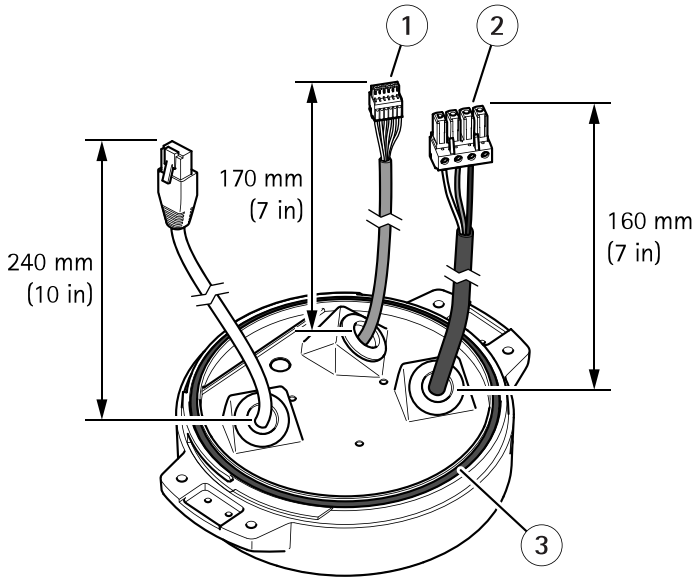
**AWISO**

Se si utilizzano un cavo in fibra ottica e un cavo RJ45 per la connettività di rete, instradare il cavo in fibra ottica attraverso la stessa guarnizione del cavo I/O. Applicare un sigillante

# AXIS Q8752-E Bispectral PTZ Camera

tra i cavi e la guarnizione per evitare dispersioni. Per ulteriori informazioni sulle differenti opzioni di connettività di rete, vedere *Installazione del collegamento di rete alla pagina 71*.

10. Posizionare il coperchio trasparente sull'unità base e inserire le guarnizioni dei cavi nei fori.



- 1 Connettore I/O
- 2 Connettore di alimentazione
- 3 Anello di tenuta

## AVVISO

Per non scollegare accidentalmente l'unità dall'alimentazione se il cavo viene tirato, fare in modo che il cavo di messa a terra di protezione sia più lungo degli altri due cavi (nel cavo di alimentazione) di circa 10 mm.

## Nota

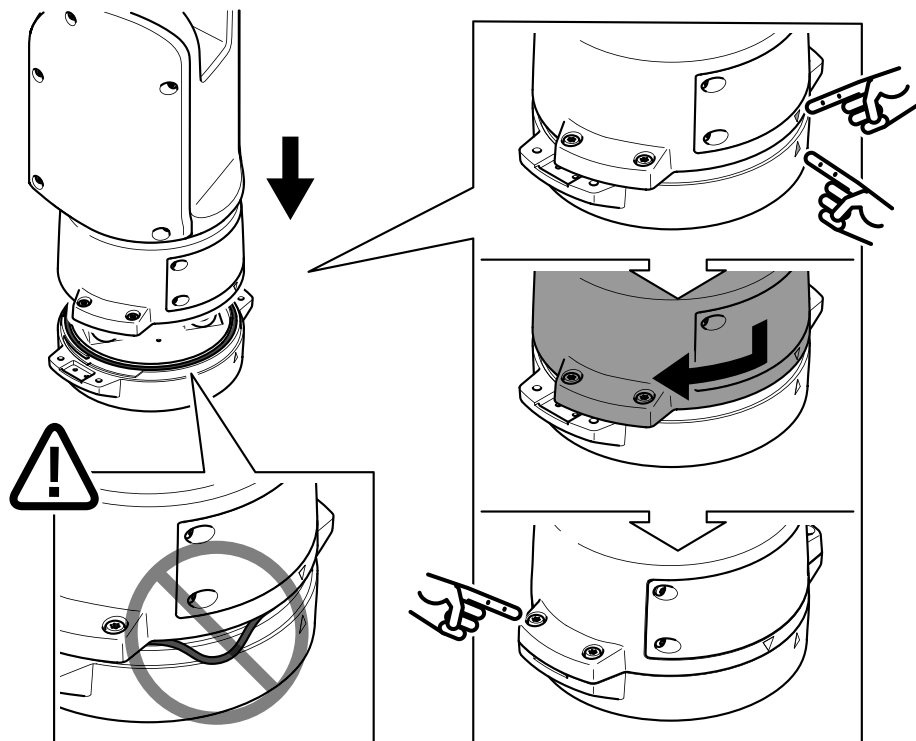
Per rendere l'installazione il più semplice possibile, si consiglia di togliere circa 90 mm del rivestimento del cavo di alimentazione e 70 mm del rivestimento del cavo I/O.

11. Installare i connettori di alimentazione e I/O.
12. Regolare i cavi di rete, I/O e di alimentazione in modo che la distanza dalla guarnizione del cavo all'estremità del connettore sia rispettivamente di 240 mm, 170 mm e 160 mm.

## AXIS Q8752-E Bispectral PTZ Camera

### AWISO

Assicurarsi che l'anello di tenuta sia correttamente fissato al coperchio trasparente dell'unità base.

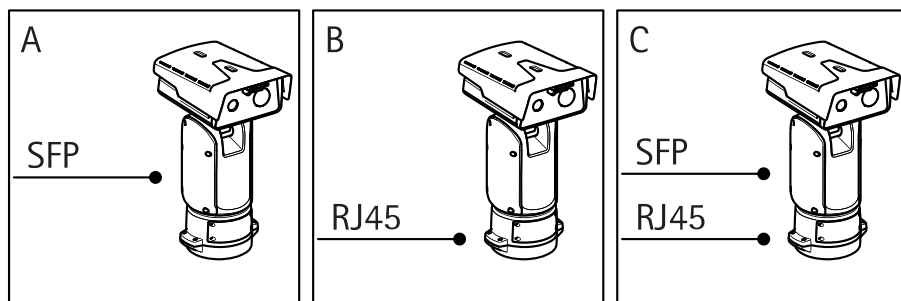


13. Collocare l'unità di posizionamento sull'unità base. Assicurarsi che le frecce sulle due unità siano allineate.
14. Ruotare l'unità di posizionamento in senso orario facendola tornare alla posizione originale e serrare le quattro viti dell'unità base (coppia 3,0 Nm).

### AWISO

Accertarsi che i cavi non vengano schiacciati durante l'assemblamento delle due unità.

## Installazione del collegamento di rete



IT

È possibile scegliere tra diverse opzioni quando si installa il collegamento di rete:

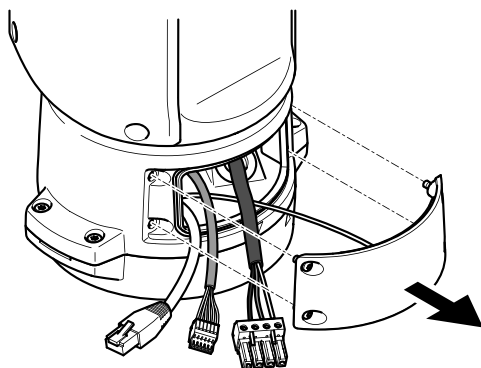
- A: tramite un cavo in fibra ottica o un cavo RJ45 collegato al modulo SFP (con un rispettivo connettore) nello slot SFP.
- B: tramite un cavo RJ45 collegato al connettore RJ45 fisso.
- C: tramite entrambe le opzioni precedenti. In tal caso la connessione tramite il modulo SFP funge da primo collegamento di rete e la connessione tramite RJ45 fisso funziona come collegamento di failover.

Per ulteriori informazioni sulle posizioni dei connettori di rete, vedere *Panoramica del dispositivo alla pagina 62*.

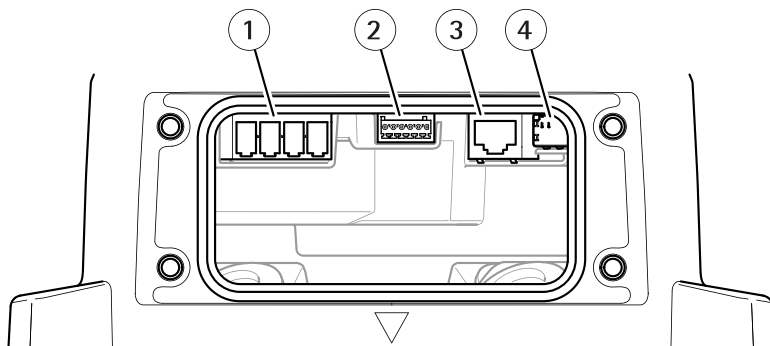
### Nota

- Il modulo SFP non è incluso. Per ulteriori informazioni sui moduli SFP disponibili, vedere [axis.com](http://axis.com)
- Se si installa un collegamento di rete solo tramite cavo in fibra ottica utilizzando il rispettivo modulo SFP, funziona come soluzione indipendente per le installazioni di cablaggi a lungo raggio.

## Collegamento dei cavi

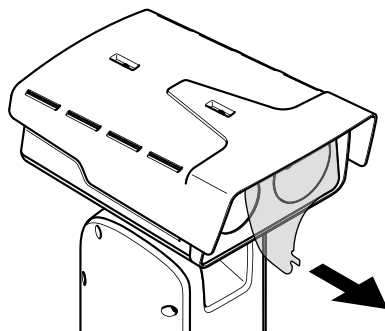


1. Allentare le quattro viti (T20) del coperchio e rimuoverlo.



- 1 *Connettore ingresso alimentazione*
  - 2 *Connettore I/O*
  - 3 *Connettore RJ45*
  - 4 *Slot SFP per modulo SFP (modulo SFP non incluso)*
2. Collegare la rete (fibra ottica e/o RJ45), I/O e i cavi di alimentazione. Per ulteriori informazioni sulle differenti opzioni di connettività di rete, vedere *Installazione del collegamento di rete alla pagina 71*.
  3. Riportare il coperchio alla sua posizione e serrare le quattro viti del coperchio (coppia 3 Nm).





4. Rimuovere la copertura protettiva.
5. Applicare l'alimentazione al dispositivo.

IT

## Rimuovere la copertura superiore

### ⚠ATTENZIONE

⚠ Rischio di lesioni. Parti in movimento. Tenere il corpo a distanza dal dispositivo durante il funzionamento. Scollegare dall'alimentazione prima di installare o eseguire la manutenzione sul dispositivo.

### ⚠ATTENZIONE

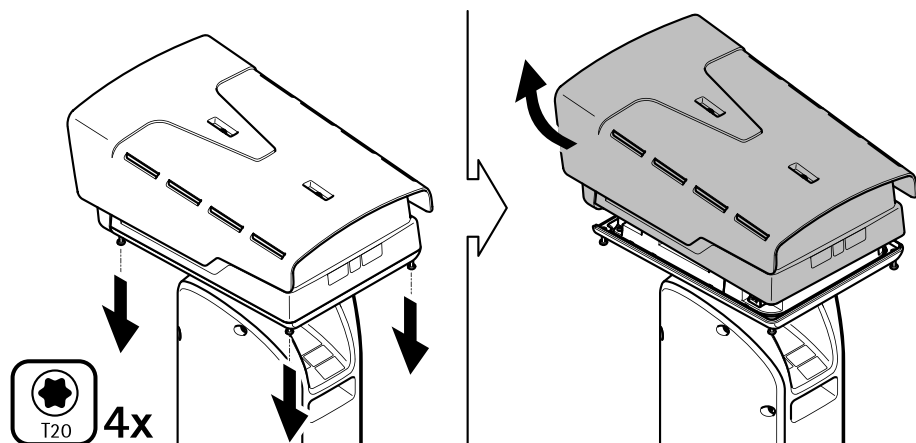
⚠ Rischio di lesioni. Superficie calda. Non toccare il dispositivo durante il funzionamento. Scollegare dall'alimentazione e lasciar raffreddare le superfici prima di eseguire la manutenzione sul dispositivo.

### AVVISO

Quando si rimuove la copertura superiore, vengono esposte le parti della telecamera visiva sensibili agli urti. Assicurarsi di non colpire la telecamera non protetta con la copertura superiore quando la si rimuove.

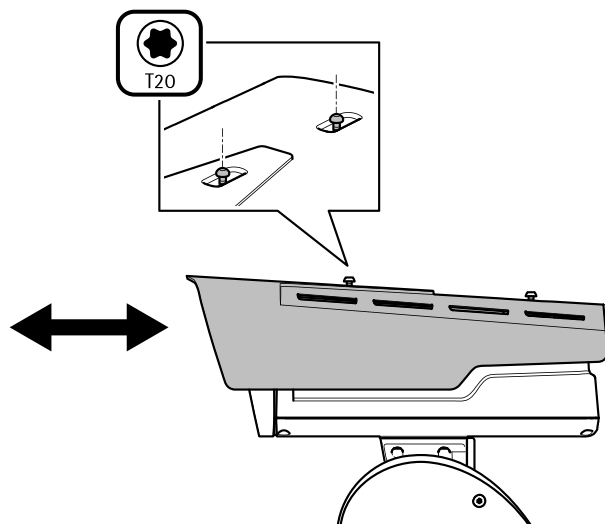
Per inserire una scheda di memoria o ripristinare le impostazioni predefinite di fabbrica, rimuovere la copertura superiore:

## AXIS Q8752-E Bispectral PTZ Camera



Per sapere dove inserire la scheda di memoria o ripristinare i valori predefiniti di fabbrica, vedere *Panoramica del dispositivo alla pagina 62*. Per ulteriori informazioni, vedere il manuale utente su [axis.com](http://axis.com)

### Regolare lo schermo di protezione dagli agenti atmosferici



## AXIS Q8752-E Bispectral PTZ Camera

---

1. Allentare le due viti dello schermo di protezione dagli agenti atmosferici.
2. Regolare lo schermo di protezione dagli agenti atmosferici nella posizione desiderata.
3. Serrare le due viti dello schermo di protezione dagli agenti atmosferici (serraggio 0,8 Nm).

# AXIS Q8752-E Bispectral PTZ Camera

---

## Specifiche

Per la versione più aggiornata della scheda tecnica del dispositivo, visitare il sito Web [axis.com](http://axis.com) e trovare la sezione **Support & Documentation (Supporto e documentazione)**.

## Spessore del cavo

Quando si utilizzano le guarnizioni per cavo fornite con il dispositivo, il diametro del cavo deve essere compreso nell'intervallo tra 5 e 11 mm.

### **AWISO**

- Utilizzare cavi di lunghezza adeguata all'area specificata
- Selezionare i cavi nel rispetto delle normative locali
- Verificare che tutti i fori dei cavi siano correttamente sigillati
- Utilizzare guarnizioni per cavi o pressacavi corrispondenti al foro e all'area dei cavi

Per informazioni sugli accessori disponibili, come ad esempio guarnizioni per cavi e pressacavi adatti per altre aree dei cavi, visitare il sito Web [www.axis.com](http://www.axis.com).

## Informazioni di sicurezza

### Livelli di pericolo

#### **▲PERICOLO**

Indica una situazione pericolosa che, se non evitata, provoca morte o lesioni gravi.

#### **▲AVVERTENZA**

Indica una situazione pericolosa che, se non evitata, potrebbe provocare la morte o lesioni gravi.

#### **▲ATTENZIONE**

Indica una situazione pericolosa che, se non evitata, potrebbe provocare lesioni medie o minori.

#### **AWISO**

Indica una situazione che, se non evitata, potrebbe danneggiare la proprietà.

### Altri livelli di messaggio

#### Importante

Indica informazioni importanti, essenziali per il corretto funzionamento del dispositivo.

#### Nota

Indica informazioni utili che aiutano a ottenere il massimo dal dispositivo.

## Informazioni di sicurezza

#### **▲PERICOLO**

Rischio di scosse elettriche. Tutti i cavi devono essere disisoleati prima di installare o eseguire la manutenzione sul dispositivo.

#### **▲AVVERTENZA**

Il dispositivo Axis deve essere installato da un professionista qualificato, in conformità alle leggi e alle disposizioni locali.

#### **▲ATTENZIONE**



Rischio di lesioni. Parti in movimento. Tenere il corpo a distanza dal dispositivo durante il funzionamento. Scollegare dall'alimentazione prima di installare o eseguire la manutenzione sul dispositivo.

#### **▲ATTENZIONE**



Rischio di lesioni. Superficie calda. Non toccare il dispositivo durante il funzionamento. Scollegare dall'alimentazione e raffreddare le superfici prima di eseguire la manutenzione del dispositivo.

#### **AWISO**

- Il dispositivo Axis deve essere utilizzato in conformità alle leggi e alle normative locali.
- Conservare il dispositivo Axis in un ambiente asciutto e ventilato.
- Evitare di esporre il dispositivo Axis a urti o pressioni eccessive.
- Non installare il dispositivo su supporti, superfici, pareti o pali instabili.

- Utilizzare solo strumenti applicabili quando si installa il dispositivo Axis. Se si utilizza una forza eccessiva con strumenti non adatti è possibile causare danni al dispositivo.
- Non utilizzare sostanze chimiche, agenti caustici o detergenti aerosol.
- Utilizzare un panno pulito inumidito in acqua pura per la pulizia.
- Utilizzare solo accessori compatibili con le specifiche tecniche del dispositivo. Questi possono essere forniti da Axis o da terze parti. Axis consiglia l'uso dell'apparecchiatura di alimentazione Axis compatibile con il dispositivo.
- Utilizzare solo parti di ricambio fornite o consigliate da Axis.
- Non tentare di riparare il dispositivo da soli. Contattare l'assistenza o il rivenditore Axis per questioni relative alla manutenzione.
- Non rivolgere l'obiettivo della telecamera verso il sole o altre sorgenti di radiazioni molto intense poiché si potrebbe danneggiare la telecamera.

### Trasporto

#### **AWISO**

- Durante il trasporto del dispositivo Axis, utilizzare l'imballaggio originale o equivalente per evitare danni al dispositivo.

### Batteria

Il dispositivo Axis utilizza una batteria al litio da 3 V BR2032 come alimentazione per il suo orologio in tempo reale (RTC) interno. In condizioni normali questa batteria avrà una durata minima di cinque anni.

Una bassa carica della batteria influisce sul funzionamento dell'orologio in tempo reale, facendolo resettare a ogni accensione. Quando la tensione della batteria è bassa, un messaggio di registro viene visualizzato nel report del server del dispositivo.

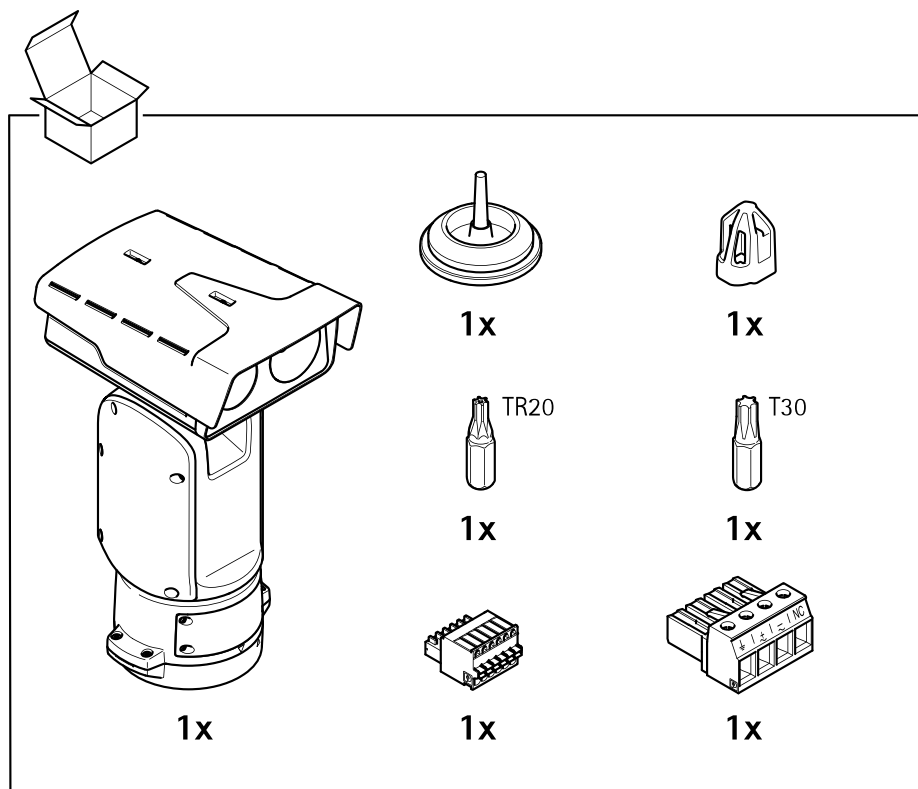
#### **▲ATTENZIONE**

Non sostituire la batteria da soli. Contattare l'assistenza di Axis se il messaggio di registro richiede una sostituzione della batteria.

Le batterie a bottone al litio da 3 V contengono 1,2-dimetossietano; etere dimetilico di glicole etilenico (EGDME), CAS n. 110-71-4.

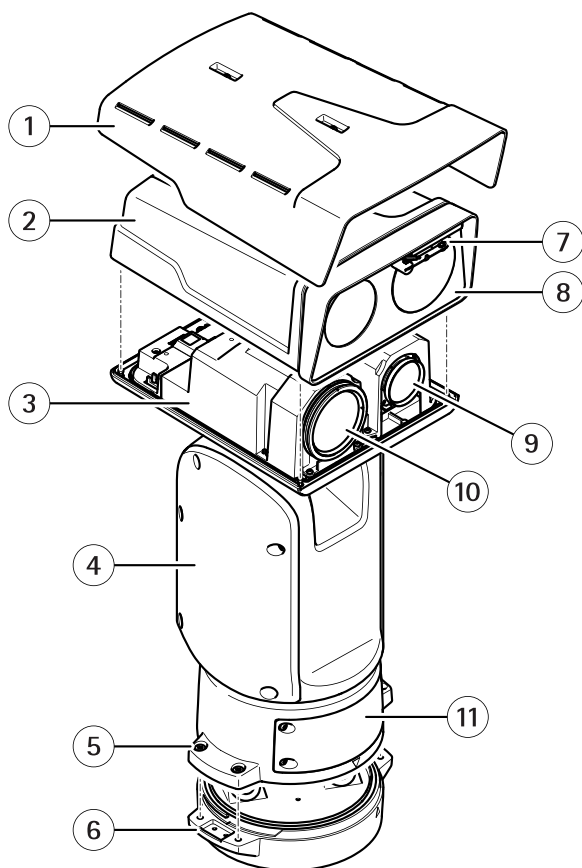


## Contenido del paquete



ES

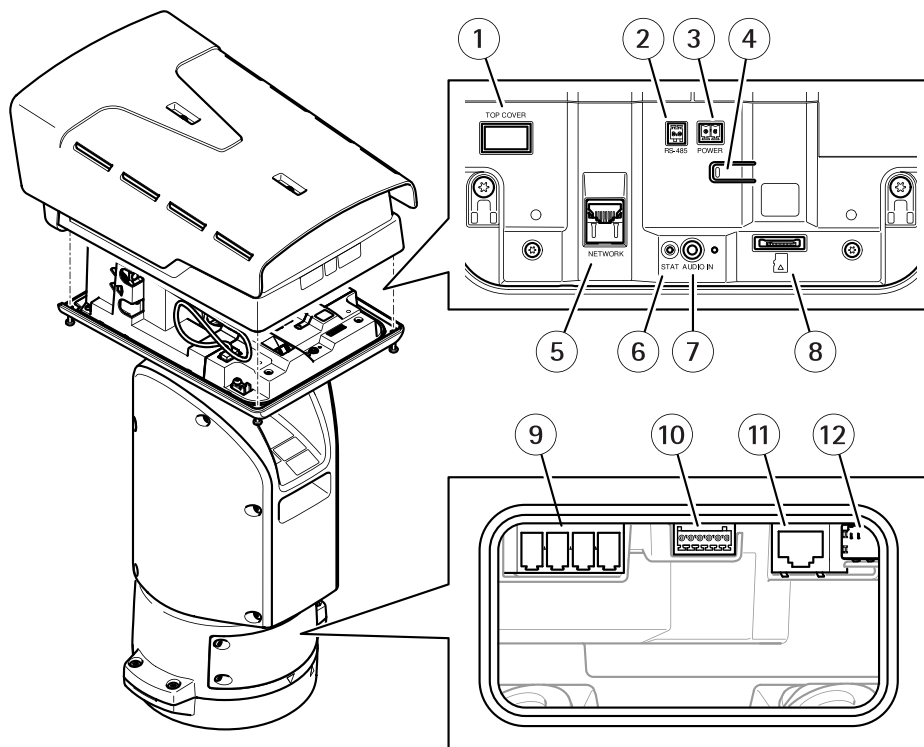
## Información general del producto



- 1 *Parasol*
- 2 *Cubierta superior*
- 3 *Cubierta interna*
- 4 *Unidad de posicionamiento*
- 5 *Tornillos de unidad base*
- 6 *Unidad base*
- 7 *Escobilla limpiadora*
- 8 *Parte delantera con cubierta protectora*
- 9 *Objetivo para cámara visual*
- 10 *Objetivo para cámara térmica*
- 11 *Tapa*



# AXIS Q8752-E Bispectral PTZ Camera



- 1 Conector de cubierta superior
- 2 Conector RS485
- 3 Conector de alimentación
- 4 Botón de control
- 5 Conector RJ45
- 6 LED de estado
- 7 Conector de entrada de audio de 3,5 mm
- 8 Ranura para tarjetas de memoria SD (microSD, tarjeta no incluida)
- 9 Conector de entrada de corriente
- 10 Conector de E/S
- 11 Conector RJ45
- 12 Ranura SFP para módulo SFP (no incluido)

ES

## Cómo instalar el producto

### ⚠ PELIGRO

Riesgo de descarga eléctrica. Todos los cables deben estar sin energía antes de instalar el producto.

### ⚠ ATENCIÓN

Las conexiones eléctricas y las instalaciones de los conductos debe realizarlas un electricista cualificado, de conformidad con la normativa local.

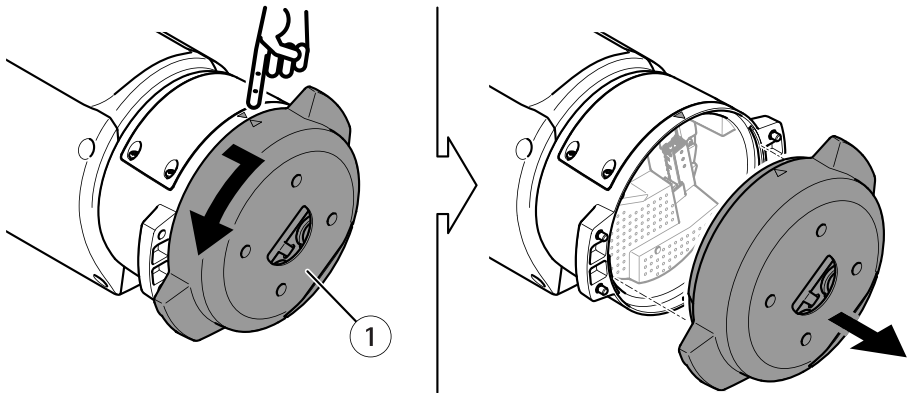
### ⚠ ATENCIÓN

⚠ Riesgo de lesiones. Piezas móviles. No acerque ninguna parte del cuerpo al producto mientras esté funcionando. Desconecte la fuente de alimentación antes de realizar trabajos de instalación o mantenimiento en el producto.

### ⚠ ATENCIÓN

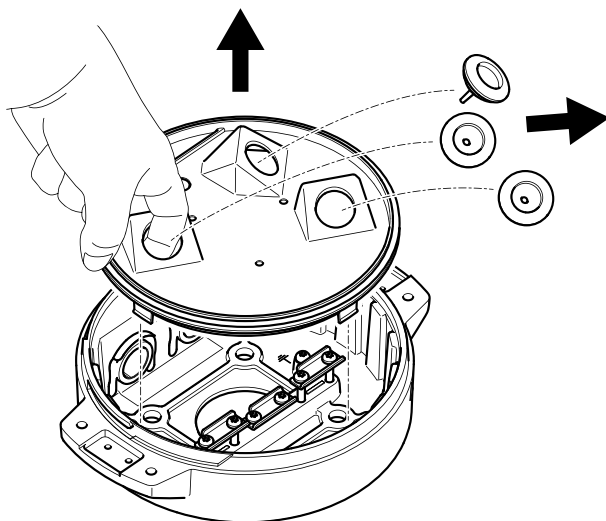
⚠ Riesgo de lesiones. Superficie caliente. No toque el producto durante su funcionamiento. Desconecte la fuente de alimentación y deje que se enfrien las superficies antes de realizar trabajos de mantenimiento en el producto.

## Montaje de la unidad base



1 Unidad base

1. Quite los cuatro tornillos (T30) de la unidad base.
2. Tire de la base a la vez que la gira en sentido contrario a las agujas del reloj hasta alinear las flechas de la unidad base con el resto de la unidad de posicionamiento.
3. Extraiga la unidad base.

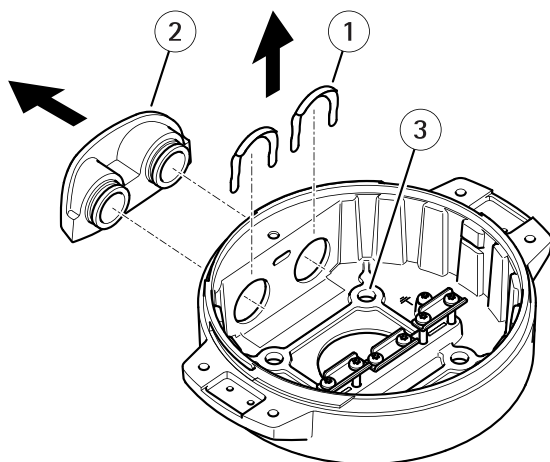


ES

**AVISO**

No utilice herramientas afiladas al retirar la cubierta transparente de la unidad base.

4. Extraiga la cubierta transparente de la unidad base.



- 1 *Clip de cubierta de conducto*
- 2 *Cubierta de conducto*

# AXIS Q8752-E Bispectral PTZ Camera

## 3 Orificio para tornillo (4)

5. Para instalaciones con conducto solo: retire los dos clips de cubierta de conducto y, a continuación, la cubierta de conducto.
6. Fije la unidad base a la superficie de montaje mediante los fijadores adecuados en los cuatro orificios para tornillos.

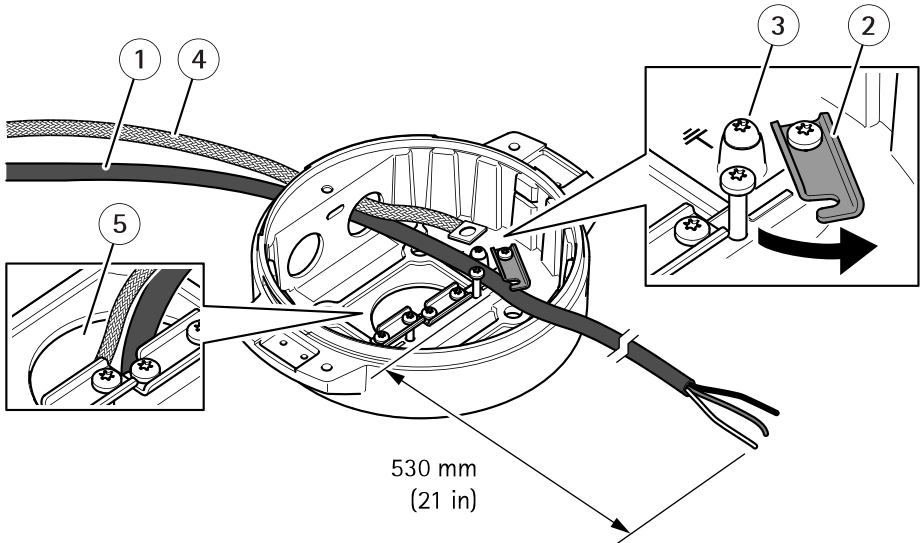
## Guía de los cables

### ⚠ADVERTENCIA

Riesgo de descarga eléctrica. El producto debe conectarse a tierra mediante el cable de tierra protector en el cable de alimentación y el cable trenzado de tierra. Asegúrese de que los dos extremos del cable de tierra protector y el cable trenzado de tierra estén en contacto con sus respectivas superficies de toma de tierra.

### Importante

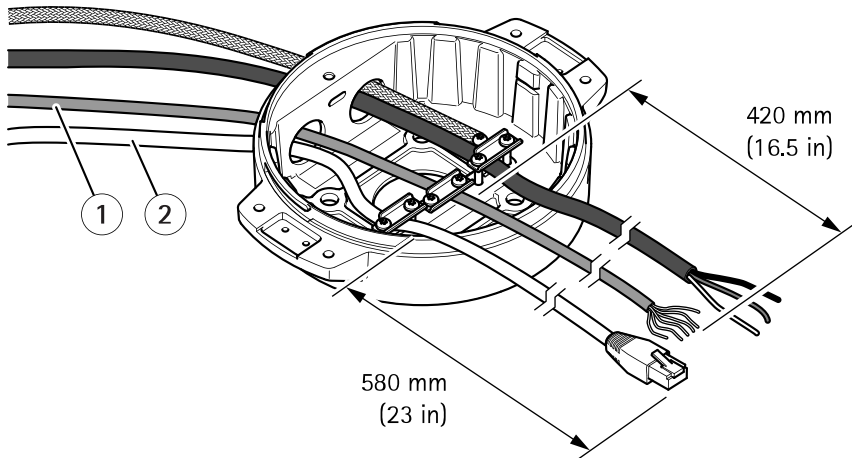
Utilice solo los cables que cumplan los requisitos del área de cableado especificada. Para obtener más información, consulte *Grosor del cable en la página 94*.



- 1 Cable de alimentación (no incluido)
- 2 Descarga de tracción
- 3 Tornillo de toma de tierra
- 4 Cable trenzado de tierra (no incluido)
- 5 Orificio inferior para cable

## AXIS Q8752-E Bispectral PTZ Camera

1. Instale los adaptadores de conducto opcionales (no incluidos).
2. Conecte el cable trenzado de tierra al tornillo de tierra.
3. Pase el cable de alimentación, el cable de E/S y el cable de red a través del orificio de la unidad base como se muestra en la ilustración anterior. También puede pasarlos por el orificio del cable inferior.
4. Pase el cable de alimentación por la descarga de tracción con una distancia de 530 mm entre esta y el extremo del cable.

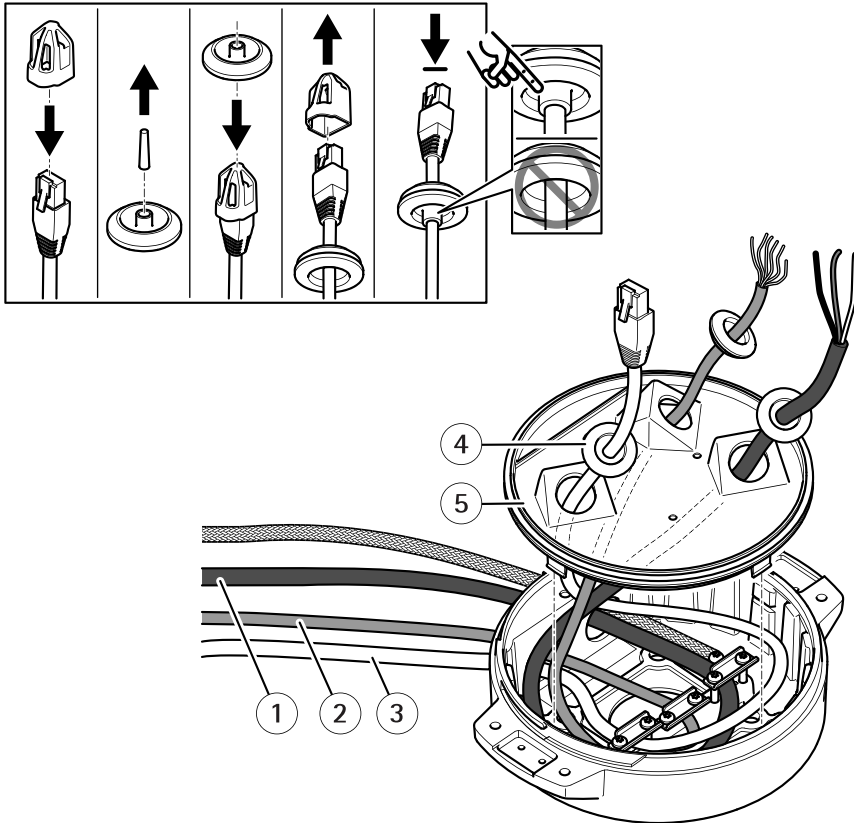


- 1 Cable de E/S (opcional, no incluido)
- 2 Cable de red (no incluido)

5. Introduzca el cable de E/S (opcional) a través de la descarga de tracción con una distancia de 420 mm entre esta y el extremo del cable.
6. Introduzca el cable de red (cable de fibra óptica o cable RJ45) con una distancia de 580 mm entre la descarga de tracción y el extremo del conector. Para obtener más información sobre las opciones de conectividad de la red, consulte *Instalación del enlace de red en la página 89*.
7. Cierre y apriete las tres descargas de tracción.

ES

# AXIS Q8752-E Bispectral PTZ Camera



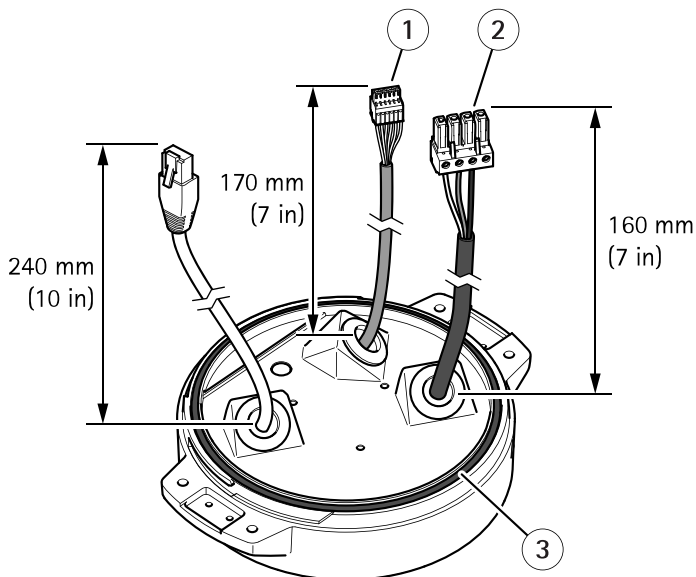
- 1 Cable de alimentación (no incluido)
- 2 Cable de E/S (opcional, no incluido)
- 3 Cable de red (no incluido)
- 4 Junta de cable
- 5 Cubierta transparente de la unidad base

8. Ponga juntas en los cables. Consulte *Grosor del cable en la página 94*.
9. Pase los cables de alimentación, E/S y red con las juntas por los orificios de la cubierta transparente de la unidad base y dispóngalos como se muestra en la ilustración anterior.

## **AVISO**

Si usa un cable de fibra óptica y un cable RJ45 para la conexión de red, pase el cable de fibra óptica por la misma junta que el cable de E/S. Aplique un sellador entre los cables y la junta de cable para que no haya fugas. Para obtener más información sobre las opciones de conectividad de la red, consulte *Instalación del enlace de red en la página 89*.

10. Coloque la cubierta transparente de la unidad base en la unidad y ponga las juntas de cable en los orificios.



- 1 Conector de E/S
- 2 Conector de alimentación
- 3 Junta tórica

## AVISO

A fin de evitar desconectar accidentalmente la unidad de la alimentación si se tira del cable, deje el cable protector de tierra unos 10 mm más largo que los otros dos cables (en el cable de alimentación).

## Nota

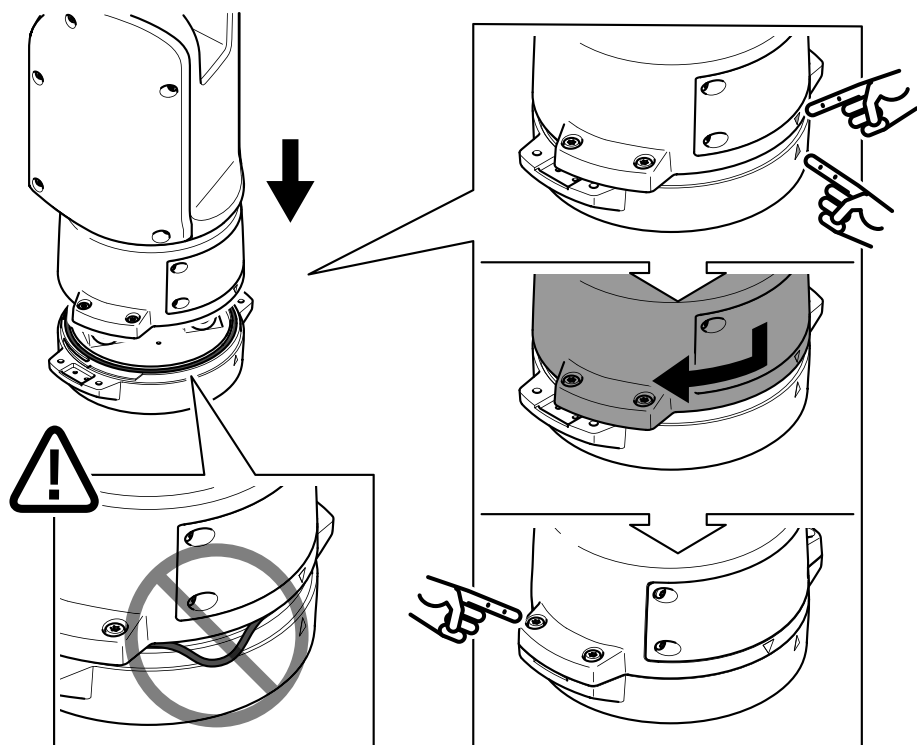
Para que la instalación resulte lo más sencilla posible, le recomendamos retirar aproximadamente 90 mm de la camisa del cable de alimentación y 70 mm de la camisa del cable de E/S.

11. Instale los conectores de alimentación y E/S.
12. Ajuste los cables de red, E/S y alimentación de forma que la distancia entre la junta de cable y el extremo del conector sea de 240 mm, 170 mm y 160 mm respectivamente.

## AVISO

Compruebe que la junta tórica está bien puesta en torno a la cubierta transparente de la unidad base.

## AXIS Q8752-E Bispectral PTZ Camera



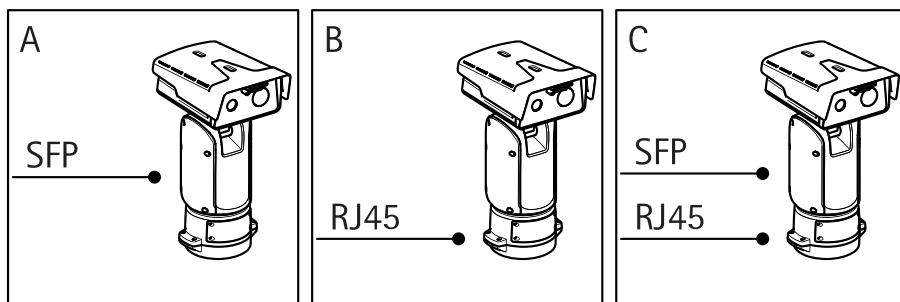
13. Coloque la unidad de posicionamiento en la unidad base. Asegúrese de que las flechas de las dos unidades estén alineadas.
14. Gire la unidad de posicionamiento en sentido horario hasta su posición original y apriete los cuatro tornillos de la base (par 3,0 Nm).

### **AVISO**

Compruebe que los cables no quedan presionados al montar las dos unidades.



## Instalación del enlace de red



Puede elegir entre diferentes opciones para instalar el enlace de red:

- A: a través de un cable de fibra óptica o RJ45 conectado al módulo SFP (con el correspondiente conector) en la ranura SFP.
- B: con un cable RJ45 unido al conector RJ45 fijado.
- C: mediante las dos opciones anteriores, en cuyo caso la conexión del módulo SFP funciona como enlace de red principal y la conexión a través del conector RJ45 fijado funciona como enlace para casos de error.

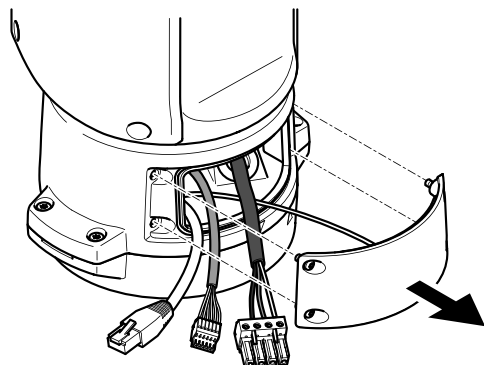
ES

Para obtener más información sobre las ubicaciones de los conectores de red, consulte *Información general del producto* en la página 80.

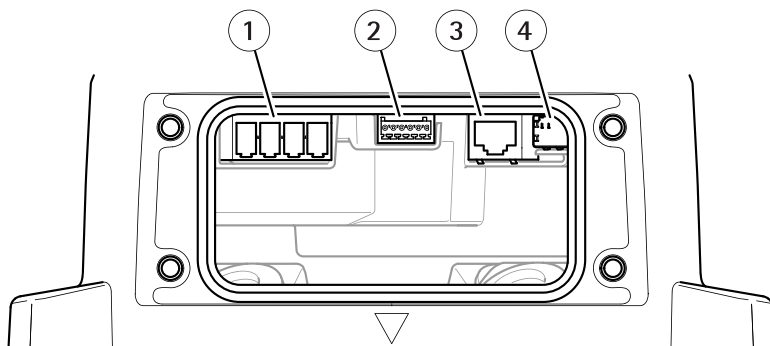
### Nota

- El módulo SFP no se incluye. Para obtener información sobre los módulos SFP disponibles, consulte [axis.com](http://axis.com).
- Si instala un enlace de red únicamente con el cable de fibra óptica a través del correspondiente módulo SFP, funcionará como solución independiente en instalaciones con cables de largo alcance.

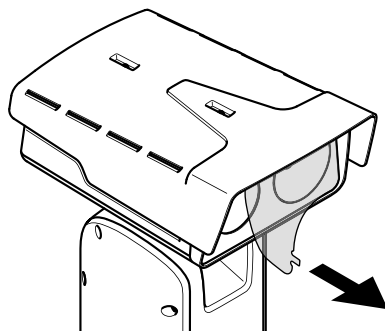
## Conexión de los cables



1. Afloje los cuatro tornillos (T20) de la tapa de la base y retírela.



- 1 Conector de entrada de corriente
  - 2 Conector de E/S
  - 3 Conector RJ45
  - 4 Ranura SFP para módulo SFP (módulo SFP no incluido)
2. Conecte la red (fibra óptica o RJ45), la E/S y los cables de alimentación. Para obtener más información sobre las opciones de conectividad de la red, consulte *Instalación del enlace de red en la página 89*.
  3. Vuelva a colocar la tapa en su posición y apriete los cuatro tornillos de la tapa (par 3,0 Nm).



4. Extraiga la cubierta protectora.
5. Conecte la alimentación del producto.

ES

## Retirar la cubierta superior

### ⚠ ATENCIÓN

⚠ Riesgo de lesiones. Piezas móviles. No acerque ninguna parte del cuerpo al producto mientras esté funcionando. Desconecte la fuente de alimentación antes de realizar trabajos de instalación o mantenimiento en el producto.

### ⚠ ATENCIÓN

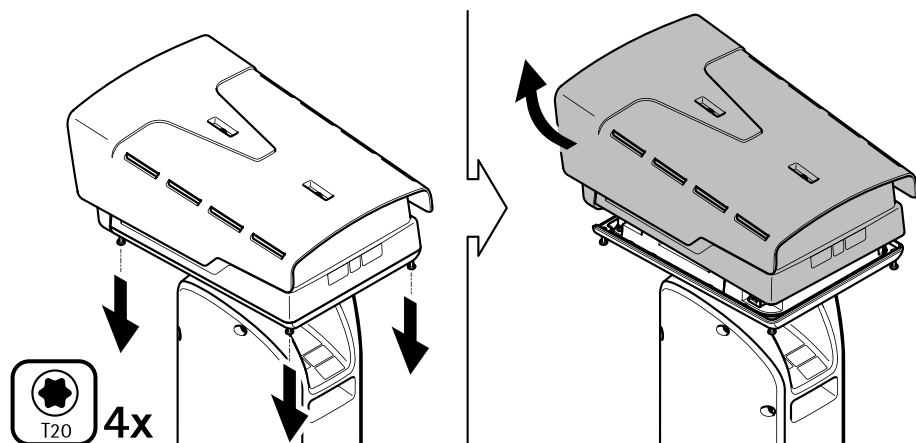
⚠ Riesgo de lesiones. Superficie caliente. No toque el producto durante su funcionamiento. Desconecte la fuente de alimentación y deje que se enfríen las superficies antes de realizar trabajos de mantenimiento en el producto.

### AVISO

Al retirar la cubierta, se expondrán piezas de la cámara visual que son sensibles a los impactos. Asegúrese de no golpear la cámara desprotegida con la cubierta superior al extraerla.

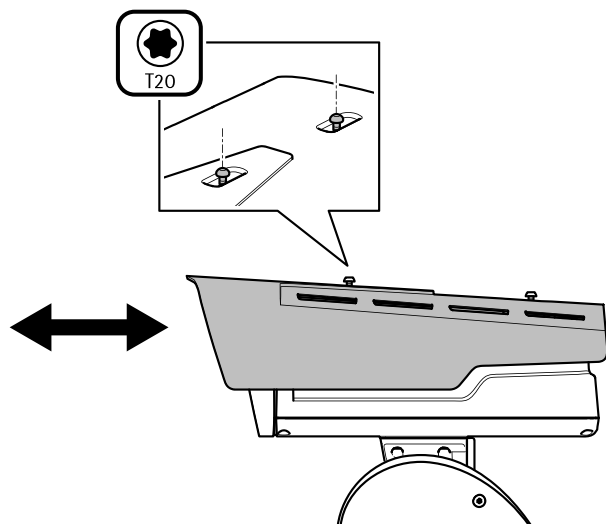
Para insertar una tarjeta SD o para restablecer la configuración predeterminada de fábrica, retire la cubierta superior:

## AXIS Q8752-E Bispectral PTZ Camera



Para saber dónde puede insertar la tarjeta SD o restablecer la configuración predeterminada de fábrica, consulte *Información general del producto en la página 80*. Para obtener más información, consulte el manual de usuario en [axis.com](http://axis.com)

### Ajustar el parasol



## AXIS Q8752-E Bispectral PTZ Camera

---

1. Afloje los dos tornillos del parasol.
2. Coloque el parasol en la posición que prefiera.
3. Apriete los dos tornillos del parasol (par 0,8 Nm).

# AXIS Q8752-E Bispectral PTZ Camera

---

## Especificaciones

Para acceder a la versión más reciente de la hoja de datos del producto, visite la página del producto en [axis.com](http://axis.com) y localice **Support & Documentation** (Soporte técnico y documentación).

### Grosor del cable

El diámetro del cable, si se usan las juntas para cables suministradas con este producto, debe ser de entre 5 y 11 mm.

#### **AVISO**

- Utilice cables que puedan permanecer dentro del área de cableado especificada.
- Elija cables que cumplan la normativa local aplicable.
- Asegúrese de que todos los orificios para cables estén debidamente sellados.
- Utilice juntas de cable o prensaestopas que se ajusten tanto al orificio para cable como al área de cableado.

Para obtener información acerca de los accesorios, como juntas de cable y prensaestopas permitidos para otras áreas de cableado, visite [www.axis.com](http://www.axis.com).

## Información de seguridad

### Niveles de peligro

#### **▲PELIGRO**

Indica una situación peligrosa que, si no se evita, provocará lesiones graves o la muerte.

#### **▲ADVERTENCIA**

Indica una situación peligrosa que, si no se evita, puede provocar lesiones graves o la muerte.

#### **▲ATENCIÓN**

Indica una situación peligrosa que, si no se evita, puede provocar lesiones moderadas o leves.

#### **AVISO**

Indica una situación peligrosa que, si no se evita, puede provocar daños materiales.

### Otros niveles de mensaje

#### **Importante**

Indica información importante que es fundamental para que el producto funcione correctamente.

#### **Nota**

Indica información útil que ayuda a aprovechar el producto al máximo.

### Instrucciones de seguridad


#### **▲PELIGRO**

Riesgo de descarga eléctrica. Todos los cables deberán estar sin energía antes de realizar trabajos de instalación o mantenimiento en el producto.


#### **▲ADVERTENCIA**

El producto de Axis debe instalarse en un profesional formado conforme a las leyes y normativas locales.

#### **▲ATENCIÓN**

 Riesgo de lesiones. Piezas móviles. No acerque ninguna parte del cuerpo al producto mientras esté funcionando. Desconecte la fuente de alimentación antes de realizar trabajos de instalación o mantenimiento en el producto.

#### **▲ATENCIÓN**

 Riesgo de lesiones. Superficie caliente. No toque el producto durante su funcionamiento. Desconecte la fuente de alimentación y deje que se enfríen las superficies antes de realizar trabajos de mantenimiento en el producto.

#### **AVISO**

- Este producto de Axis debe utilizarse de acuerdo con las leyes y normativas locales.
- Almacene el producto de Axis en un entorno seco y ventilado.

- Evite la exposición del producto de Axis a choques o a una fuerte presión.
- No instale el producto en postes, soportes, superficies o paredes inestables.
- Utilice solo las herramientas correspondientes cuando instale el producto de Axis. La aplicación de una fuerza excesiva con herramientas eléctricas puede provocar daños en el producto.
- No utilice limpiadores en aerosol, agentes cáusticos ni productos químicos.
- Limpie con un paño limpio humedecido con agua pura.
- Utilice solo accesorios que cumplan con las especificaciones técnicas de su producto. Estos accesorios los puede proporcionar Axis o un tercero. Axis recomienda utilizar un equipo de suministro de alimentación de Axis compatible con su producto.
- Utilice solo piezas de repuesto proporcionadas o recomendadas por Axis.
- No intente reparar el producto usted mismo. Póngase en contacto con el servicio de asistencia técnica de Axis o con su distribuidor de Axis para tratar asuntos de reparación.
- No coloque el objetivo de la cámara apuntando hacia el sol u otras fuentes de radiación de alta intensidad ya que podría dañar la cámara.

### Transporte

#### **AVISO**

- Cuando transporte el producto de Axis, utilice el embalaje original o un equivalente para evitar daños en el producto.

### Batería

Este producto de Axis utiliza una batería de litio BR2032 de 3,0 V como fuente de alimentación del reloj interno en tiempo real. En condiciones normales, esta batería durará un mínimo de cinco años.

Un nivel bajo de batería afectará al funcionamiento del reloj en tiempo real, lo que provocará el restablecimiento de este cada vez que se encienda el producto. Cuando la tensión de la batería esté baja, aparecerá un mensaje de registro en el informe del servidor del producto.

#### **▲ATENCIÓN**

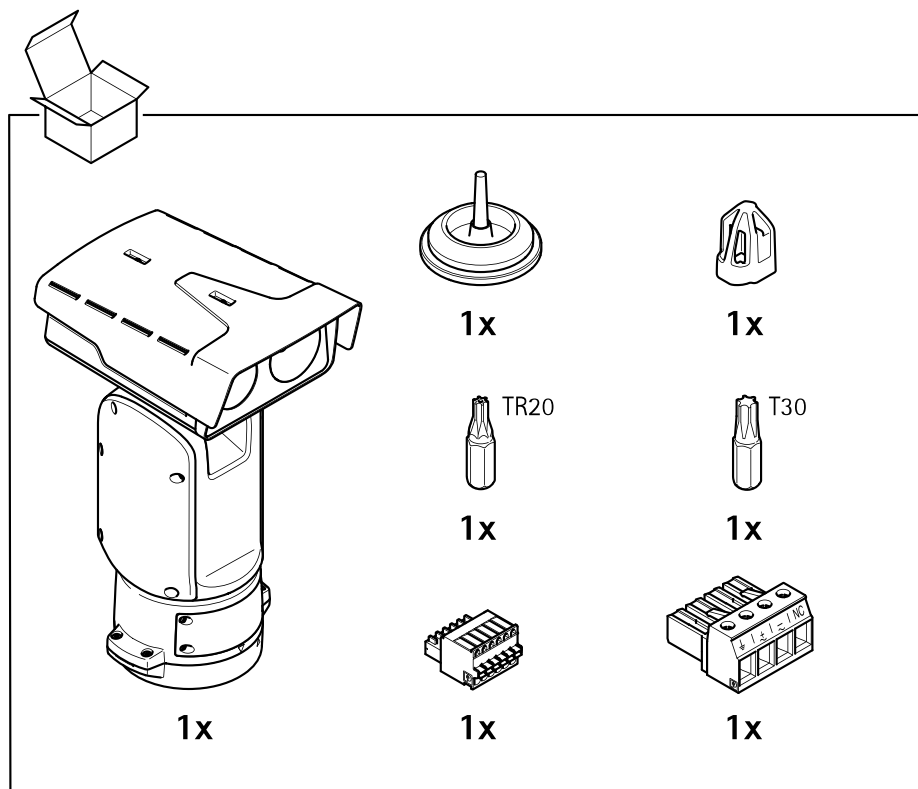
No sustituya la batería usted mismo. Póngase en contacto con el servicio de asistencia técnica de Axis si el mensaje de registro solicita un cambio de batería.

Las pilas de botón de litio de 3,0 V contienen 1,2-dimetoxietano; éter dimetilico de etilenglicol (EGDME), n.º CAS 110-71-4.



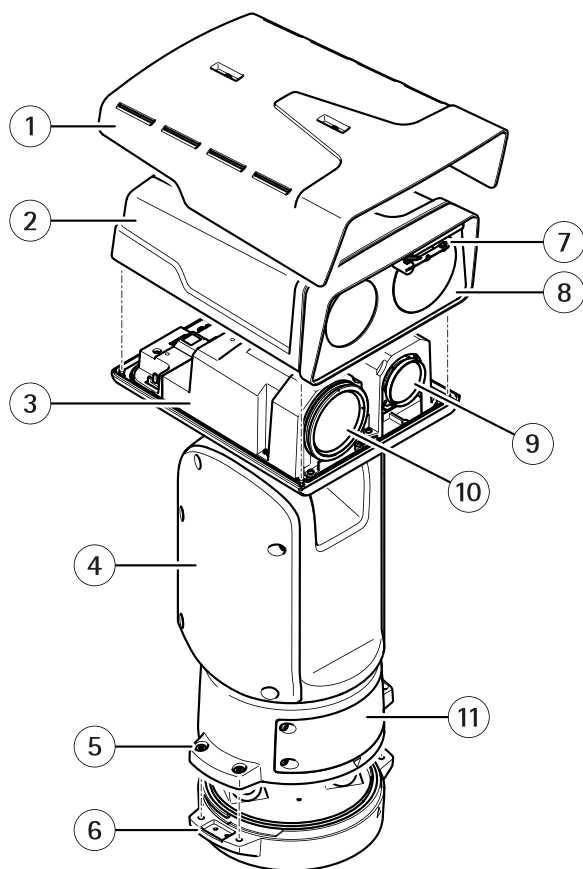


## パッケージの内容



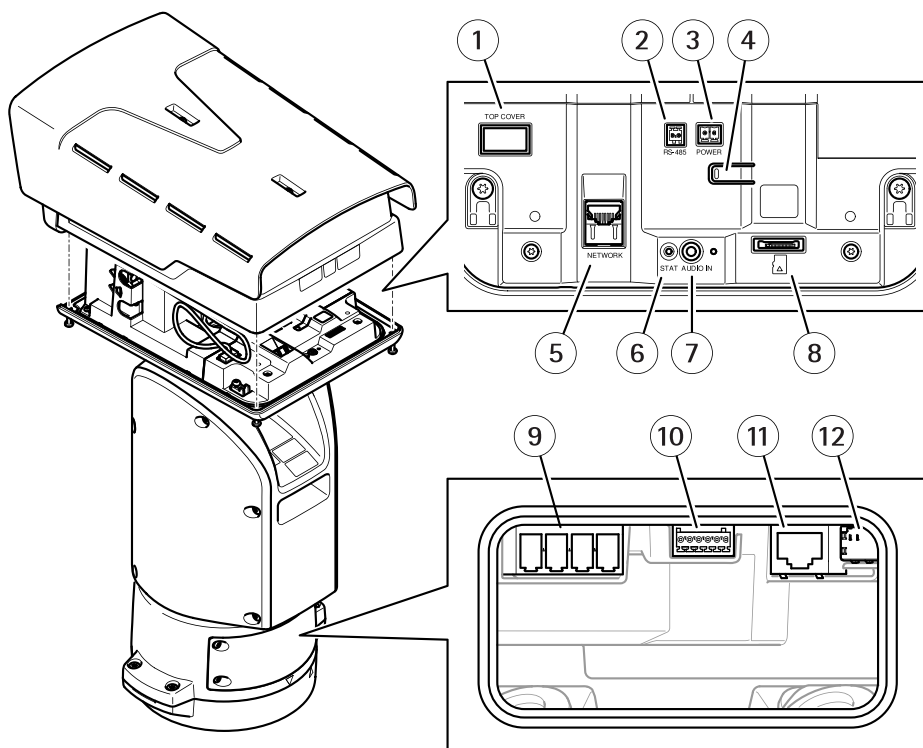
JA

## 製品の概要



- 1 ウェザーシールド
- 2 トップカバー
- 3 内部カバー
- 4 ポジショニングユニット
- 5 ベースユニットのネジ
- 6 ベースユニット
- 7 ワイパー
- 8 保護フォイルを備えたフロント
- 9 ビジュアルレンズ
- 10 サーマルレンズ

## 11 蓋



- 1 トップカバーコネクタ
- 2 RS485コネクタ
- 3 電源コネクタ
- 4 コントロールボタン
- 5 RJ45コネクタ
- 6 ステータスLED
- 7 音声入力3.5 mmコネクタ
- 8 SDカードスロット (microSD、カードは付属していません)
- 9 入力電力コネクタ
- 10 I/Oコネクタ
- 11 RJ45コネクタ
- 12 SFPモジュール用SFPモジュール (非付属品)

JA

## 製品の取り付け方法

### ▲危険

感電の危険があります。製品を設置する前に、すべてのケーブルの通電を切ってください。

### ▲注意

電気接続およびコンジットの取り付けは、必ず資格のある電気技師が地域の規制に従って行ってください。

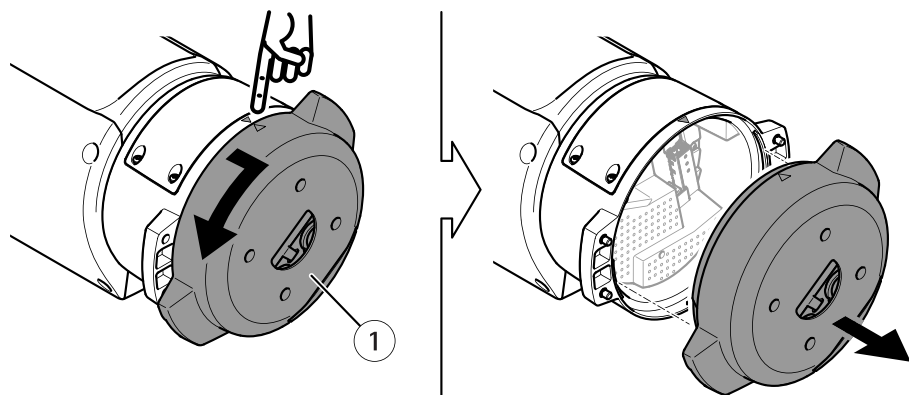
### ▲注意

⚠ 損傷の危険があります。可動部分。動作中は、体を製品に近づけないでください。製品の設置やメンテナンスを行う前には電源を切ってください。

### ▲注意

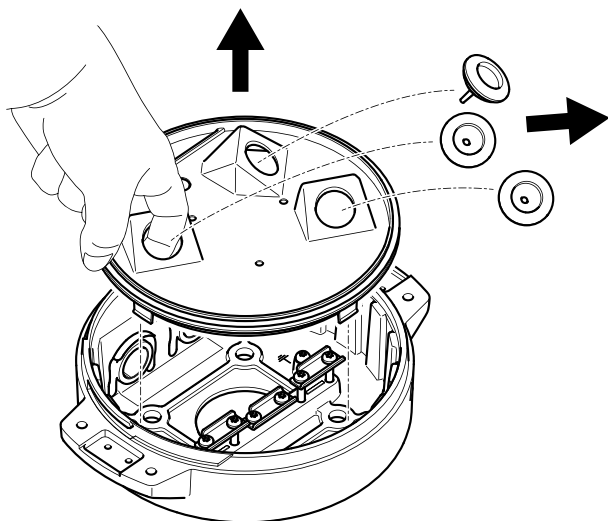
⚠ 損傷の危険があります。表面が熱くなります。動作中は、本製品に触れないでください。製品のメンテナンスを行う前に、電源を切り、表面が冷えるまで待ってください。

## ベースユニットの取り付け



1 ベースユニット

1. ベースユニットのネジ4本 (T30) を外します。
2. ベースユニットと残りの位置決めユニットの矢印が揃うまで、ベースユニットを同時に反時計回りに引いて回します。
3. ベースユニットを取り外します。

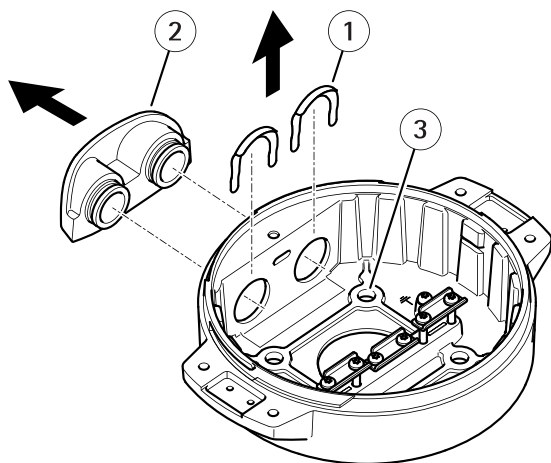


JA

**注記**

透明ベースユニットカバーの取り外しの際には、鋭利な工具を使用しないでください。

4. 透明ベースユニットカバーを取り外します。



1 コンジットカバークリップ

# AXIS Q8752-E Bispectral PTZ Camera

- 2 コンジットカバー
- 3 ネジ穴 (x4)

5. コンジットの取り付けの場合にのみ、2つのコンジットカバークリップを取り外し、コンジットカバーを取り外します。
6. 4つのネジ穴に適したファスナーで、ベースユニットを取付面に取り付けます。

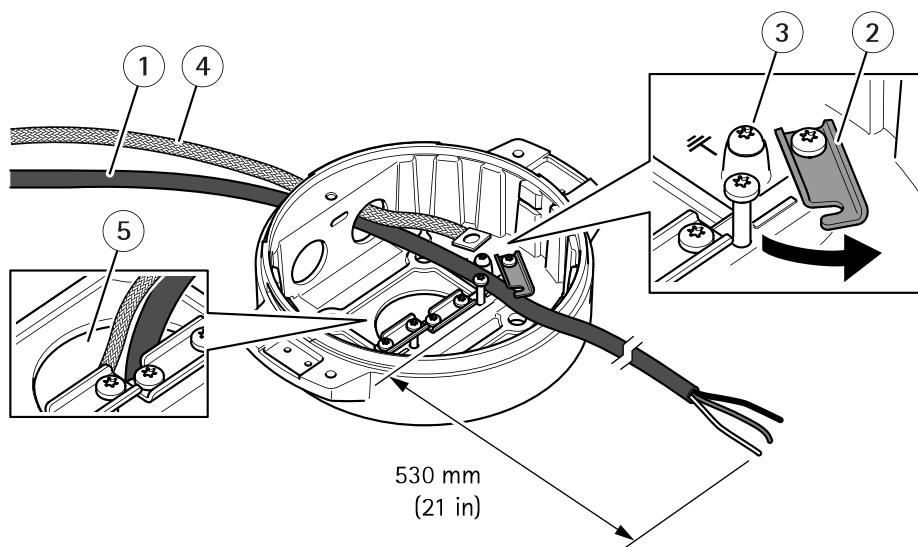
## ケーブルの配線

### ▲警告

感電の危険があります。本製品は、電源ケーブルおよび接地編組の両方に保護アース線を使用して接地するものとします。保護アース線と接地編組のそれぞれの両端がいずれもアース面と接触していることを確認してください。

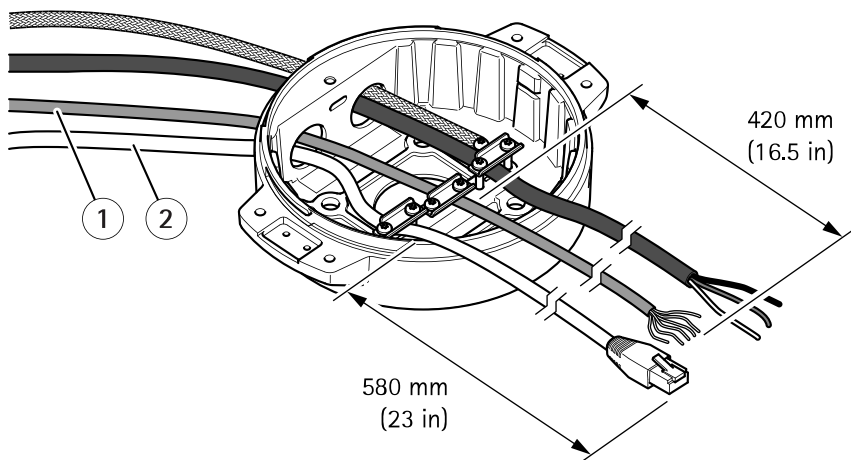
### 重要

指定のケーブルエリアでの仕様に準拠したケーブルのみ使用してください。詳細については、112ページの、ケーブルの太さを参照してください。



- 1 電源ケーブル (付属していません)
- 2 ストレインリリーフ
- 3 アース端子ネジ
- 4 接地編組 (付属していません)
- 5 底部ケーブル孔

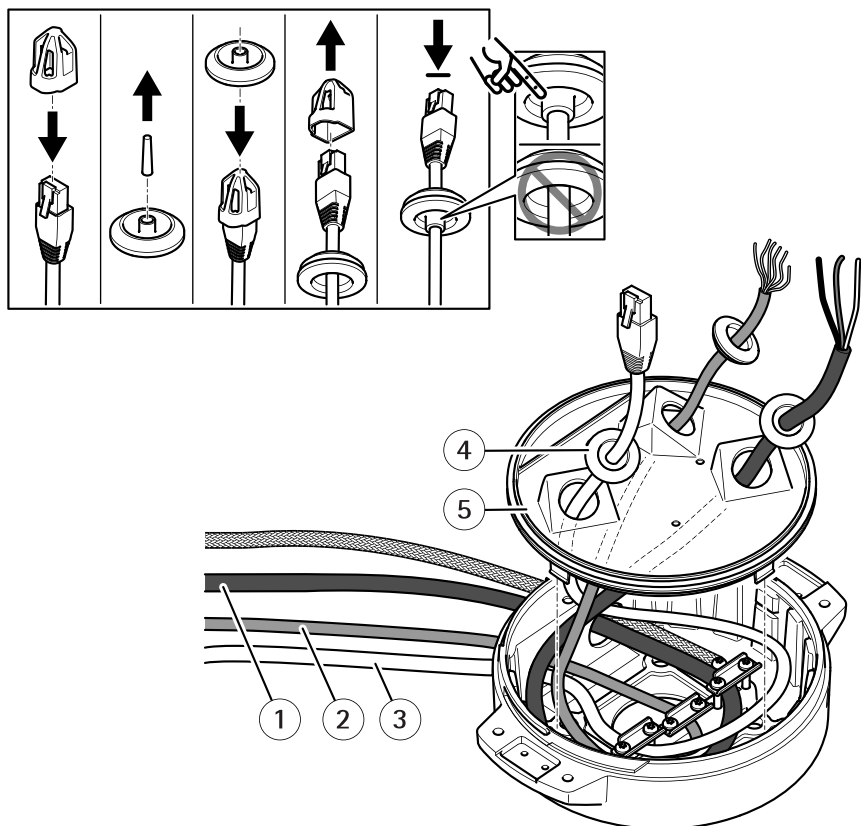
1. オプションのコンジットアダプター (付属していません) を取り付けます。
2. 接地編組をアース端子ネジに接続します。
3. 上図に示すように、ベースユニットの穴から電源ケーブル、I/Oケーブル、およびネットワークケーブルを挿入します。あるいは、それらを底部ケーブル孔から挿入します。
4. ストレインリリーフからケーブルの先端までの距離が530 mmになるように、ストレインリリーフを通じて電源ケーブルを挿入します。



- 1 I/Oケーブル (オプション、付属していません)
- 2 ネットワークケーブル (付属していません)

5. ストレインリリーフからケーブルの先端までの距離が420 mmになるように、ストレインリリーフを通じてI/Oケーブル (オプション) を挿入します。
6. ストレインリリーフからコネクタの先端までの距離が580 mmになるように、ストレインリリーフを通じてネットワークケーブル (光ファイバーケーブルやRJ45ケーブル) を挿入します。さまざまなネットワーク接続オプションの詳細については、107ページの、ネットワークリンクのインストールを参照してください。
7. 3つのストレインリリーフを閉じて締めます。

# AXIS Q8752-E Bispectral PTZ Camera



- 1 電源ケーブル (付属していません)
- 2 I/Oケーブル (オプション、付属していません)
- 3 ネットワークケーブル (付属していません)
- 4 ケーブルガスケット
- 5 透明ベースユニットカバー

8. ケーブルに合ったケーブルガスケットを取り付けます。112ページの、ケーブルの太さを参照してください。
9. 上図に示すように、ケーブルガスケットを含めて、電源ケーブル、I/Oケーブル、ネットワークケーブルを透明ベースユニットのカバー孔から挿入し、ケーブルの配置を調整します。

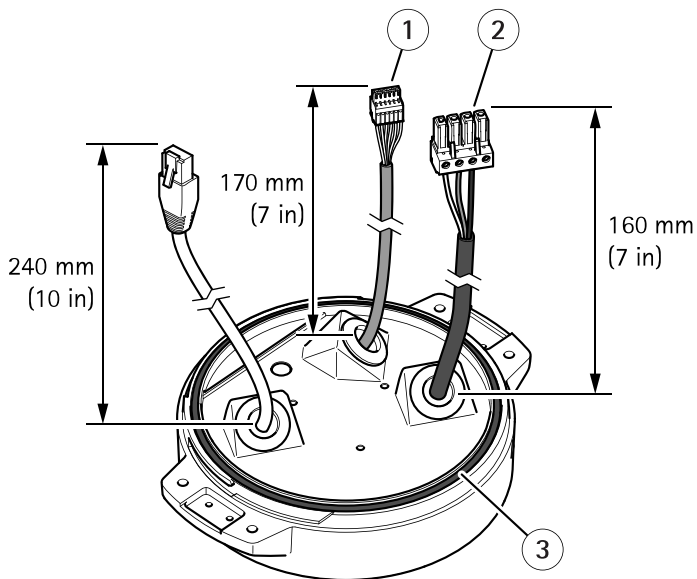
## 注記

光ファイバーとRJ45ケーブルの両方をネットワーク接続に使用している場合、光ケーブルはI/Oケーブルと同じケーブルガスケットを通します。漏電防



止のために、シーラントをケーブルとケーブルガasketの間に貼り付けます。さまざまなネットワーク接続オプションの詳細については、107ページの、ネットワークリンクのインストールを参照してください。

10. ベースユニットの上に透明ベースユニットカバーを置き、穴の内側にケーブルガasketをはめ込みます。



- 1 I/Oコネクタ
- 2 電源コネクタ
- 3 O-リング

## 注記

ケーブルが引っ張られた場合に誤って装置を電源から切断しないように、保護接地線は他の2本の線(電源ケーブル内)よりも約10 mm長くしてください。

## 注意

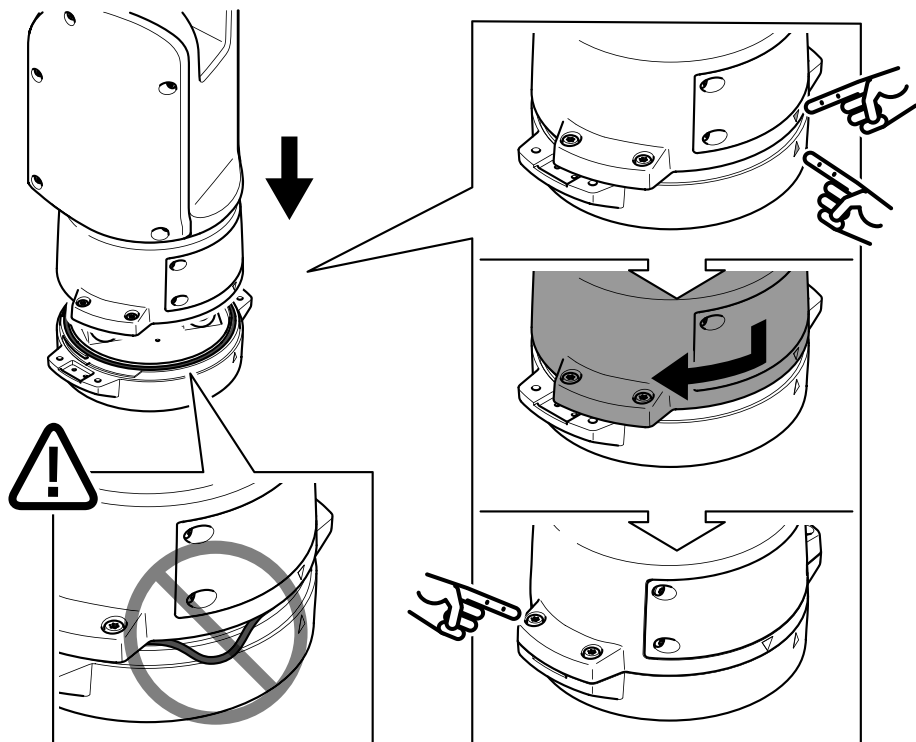
設置をできるだけ簡単にするために、電源ケーブルジャケットの約90 mmとI/Oケーブルジャケットの70 mmを取り除くことをお勧めします。

11. 電源およびI/Oコネクタを取り付けます。
12. ネットワークケーブル、I/Oケーブル、および電源ケーブルのケーブルガasketからコネクタの端までの距離が、それぞれ240 mm、170 mm、160 mmになるように調整します。

## AXIS Q8752-E Bispectral PTZ Camera

### 注記

Oリングが透明ベースユニットカバーに正しく取り付けられていることを確認します。

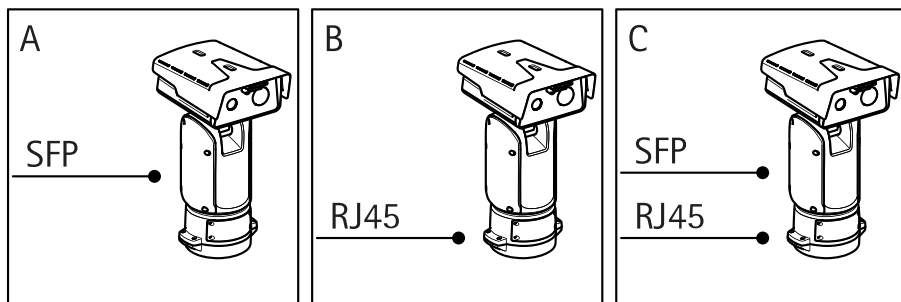


13. ポジショニングユニットをベースユニットに配置します。2つのユニット上の矢印が一直線上になっていることを確認してください。
14. ポジショニングユニットを元の位置に戻るまで時計回りに回し、ベースユニットのネジ4本を締めます (トルク3.0 Nm)。

### 注記

2つのユニットを組み立てるときにケーブルが締め付けられないように注意してください。

## ネットワークリンクのインストール



次のいずれかの方法で、ネットワークリンクをインストールすることができます:

- A: SFPポートで(それぞれのコネクタを使用して)SFPモジュールに接続された光ファイバーまたはRJ45ケーブルを介して接続。
- B: 固定RJ45コネクタに接続されたRJ45ケーブルを介して接続。
- C: 上記の両方を使用して接続。この場合、SFPモジュール接続はプライマリネットワークリンクとして機能し、固定のRJ45接続はフェイルオーバーリンクとして機能します。

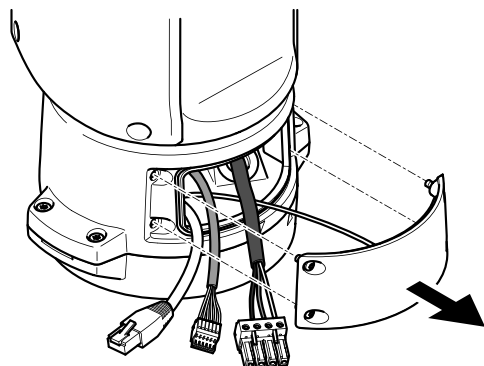
JA

ネットワークコネクタの位置の詳細については、98ページの、製品の概要を参照してください。

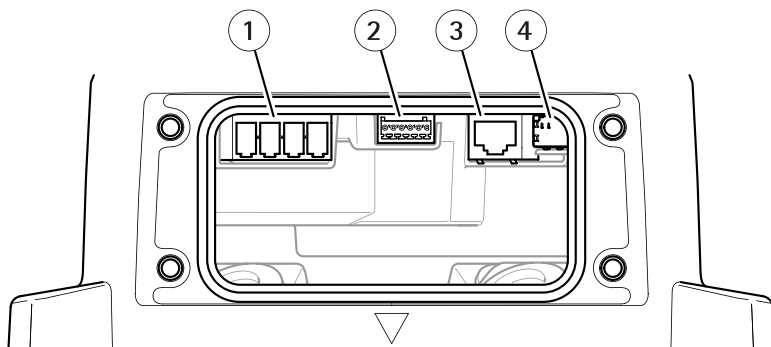
### 注意

- SFPモジュールは付属していません。利用可能なSFPモジュールについては、[axis.com](http://axis.com)を参照してください。
- 当該SFPモジュールを使用する光ファイバーケーブルのみを介してネットワークリンクをインストールする方法は、ケーブルを長距離に設置するスタンドアロンのソリューションとして有効です。

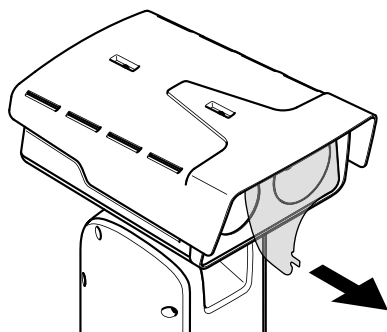
## ケーブルの接続



1. 4つの蓋止めネジ (T20) をゆるめ、蓋を取り外します。




- 1 入力電力コネクタ
  - 2 I/Oコネクタ
  - 3 RJ45コネクタ
  - 4 SFPモジュール用SFPスロット (SFPモジュールは付属していません)
2. ネットワーク (光ファイバーまたはRJ45) に接続し、I/Oおよび電源ケーブルを接続します。さまざまなネットワーク接続オプションの詳細については、107ページの、ネットワークリンクのインストールを参照してください。
  3. 蓋を位置に戻し、4つの蓋ネジを締めます (トルク3.0 Nm)。




4. 保護カバーを取り外します。
5. 製品の電源を入れます。

## トップカバーを取り外します

### ▲注意

 損傷の危険があります。可動部分。動作中は、体を製品に近づけないでください。製品の設置やメンテナンスを行う前には電源を切ってください。

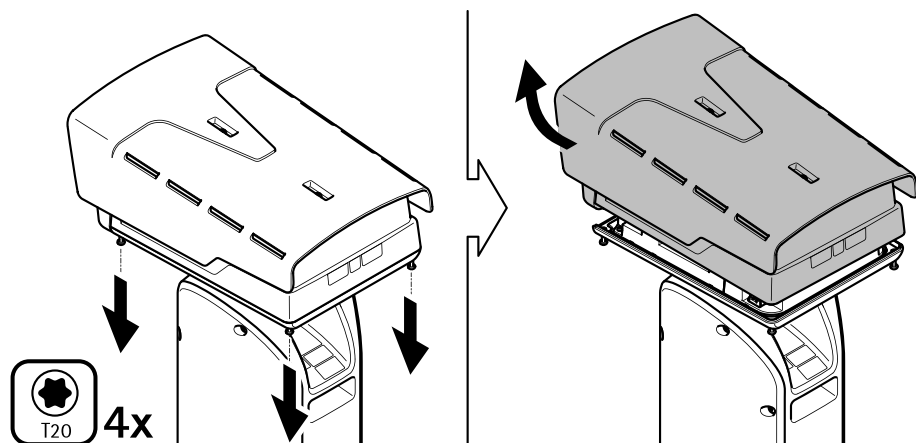
### ▲注意

 損傷の危険があります。表面が熱くなります。動作中は、本製品に触れないでください。製品のメンテナンスを行う前に、電源を切り、表面が冷えるまで待ってください。

### 注記

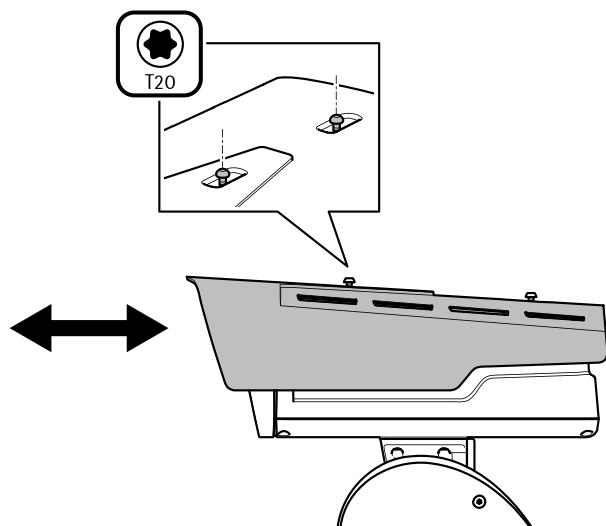
トップカバーを取り外すと、ビジュアルカメラの衝撃に繊細な部分が現れます。オフにした場合は、保護されていないカメラを、トップカバーを外してから押してください。

SDカードを挿入または工場出荷時の設定にリセットするには、トップカバーを取り外します。



SDカードの挿入先、または工場出荷時の設定へのリセットについては、を参照してください 98ページの、製品の概要。詳細については、[axis.com](http://axis.com)でユーザーズマニュアルを参照してください。

## ウェザーシールドの調整



## AXIS Q8752-E Bispectral PTZ Camera

---

1. ウェザーシールドの2つのネジを緩めます。
2. 希望の位置にウェザーシールドを取り付けます。
3. ウェザーシールドの2つのネジを締めます (トルク0.8 Nm)。

## 仕様

最新バージョンの製品のデータシートについては、[axis.com](https://www.axis.com)で本製品のページを開いて「**Support & Documentation (サポートとドキュメント)**」へお進みください。

## ケーブルの太さ

本製品に付属のケーブルガasketを使用する際、ケーブルは直径が5～11 mmのものを使用する必要があります。

### 注記

- 指定のケーブルエリアに収まるケーブルを使用してください
- 地域の規制に適合したケーブルを選択してください
- すべてのケーブル孔が適切に密封されていることを確認してください
- ケーブル孔とケーブルエリアの両方に適合するケーブルガasketまたはケーブルグランドを使用してください

他のケーブルエリアに対応するケーブルガasket、ケーブルグランドなどのアクセサリーについては、[www.axis.com](https://www.axis.com)を参照してください。



## 安全情報

### 危険レベル

#### ▲危険

回避しない場合、死亡または重傷につながる危険な状態を示します。

#### ▲警告

回避しない場合、死亡または重傷につながるおそれのある危険な状態を示します。

#### ▲注意

回避しない場合、軽傷または中程度の怪我につながるおそれのある危険な状態を示します。

#### 注記

回避しない場合、器物の破損につながるおそれのある状態を示します。

### その他のメッセージレベル

#### 重要

製品を正しく機能させるために不可欠な重要情報を示します。

#### 注意

製品を最大限に活用するために役立つ有用な情報を示します。

### 安全手順


#### ▲危険

感電の危険があります。製品の設置やメンテナンスを行う前にすべてのケーブルの通電を切ってください。


#### ▲警告

本製品の設置は、お使いになる地域の法律や規制に準拠して、訓練を受けた専門技術者が行ってください。

#### ▲注意

 損傷の危険があります。可動部分。動作中は、体を製品に近づけないでください。製品の設置やメンテナンスを行う前には電源を切ってください。

#### ▲注意

 損傷の危険があります。表面が熱くなります。動作中は、本製品に触れないでください。製品のメンテナンスを実行する前には電源を切り、表面が冷えるまで待ってください。

#### 注記

- 本製品は、お使いになる地域の法律や規制に準拠して使用してください。
- 本製品は乾燥した換気の良い環境に保管してください。
- 本製品に衝撃または強い圧力を加えないでください。
- 本製品を不安定なポール、ブラケット、表面、または壁に設置しないでください。

- 本製品を設置するには、適切な工具のみを使用してください。電動工具を使用して過剰な力をかけると、製品が損傷することがあります。
- 化学薬品、腐食剤、噴霧式クリーナーは使用しないでください。
- 清掃には、きれいな水に浸した清潔な布を使用してください。
- 製品の技術仕様準拠したアクセサリのみを使用してください。これらのアクセサリは、Axisまたはサードパーティから入手できます。Axisは、ご使用の製品と互換性のあるAxis給電ネットワークスイッチの使用を推奨します。
- Axisが提供または推奨する交換部品のみを使用してください。
- 製品を自分で修理しないでください。修理については、Axisサポートまたは販売代理店にお問い合わせください。
- 太陽などの高輝度の光源にはカメラのレンズを向けしないでください。カメラが損傷することがあります。

### 輸送

#### 注記

- 本製品を運搬する際は、製品が損傷しないよう、元の梱包か同等の梱包を使用してください。

### バッテリー

本製品は、内部リアルタイムクロック (RTC) 用電源として、3.0V BR2032リチウムバッテリーを使用します。このバッテリーは、通常条件下で最低5年間使用できます。

バッテリーが低電力状態になると、RTCの動作に影響し、電源を入れるたびにRTCがリセットされます。バッテリーの電圧が低下すると、製品のサーバーレポートにログメッセージが表示されます。

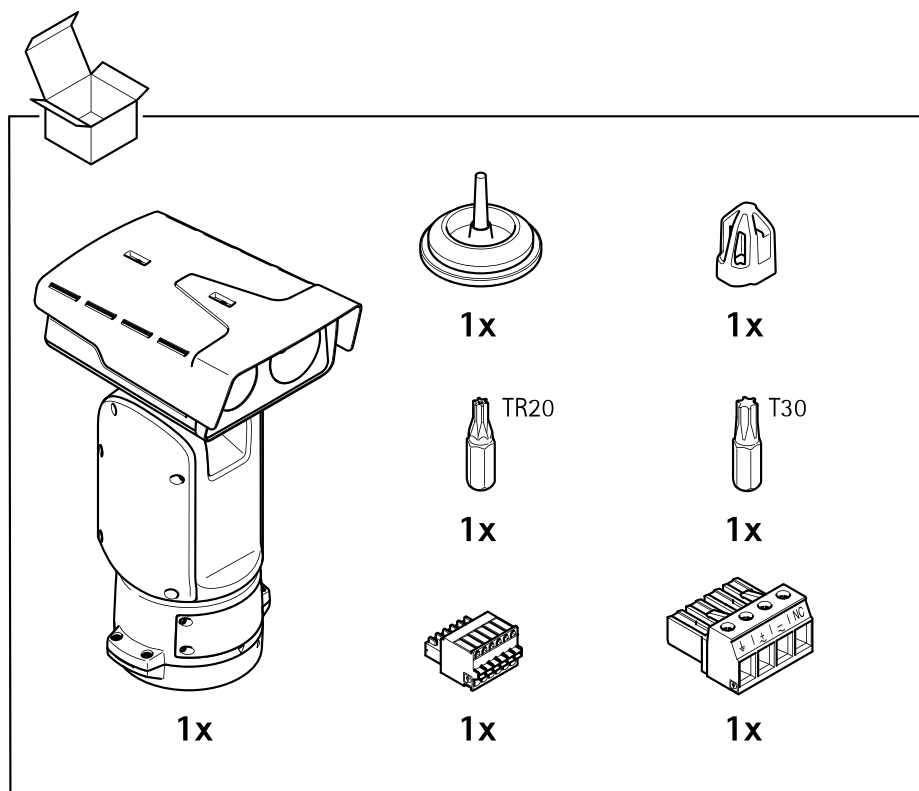
#### ▲注意

自分でバッテリーを交換しないでください。ログメッセージがバッテリーの交換を要求している場合は、アクシスサポートに連絡してください。

リチウムコイン型3.0V電池は、1.2-ジメトキシエタン (エチレングリコールジメチルエーテル (EGDME)、CAS番号110-71-4) を含有しています。

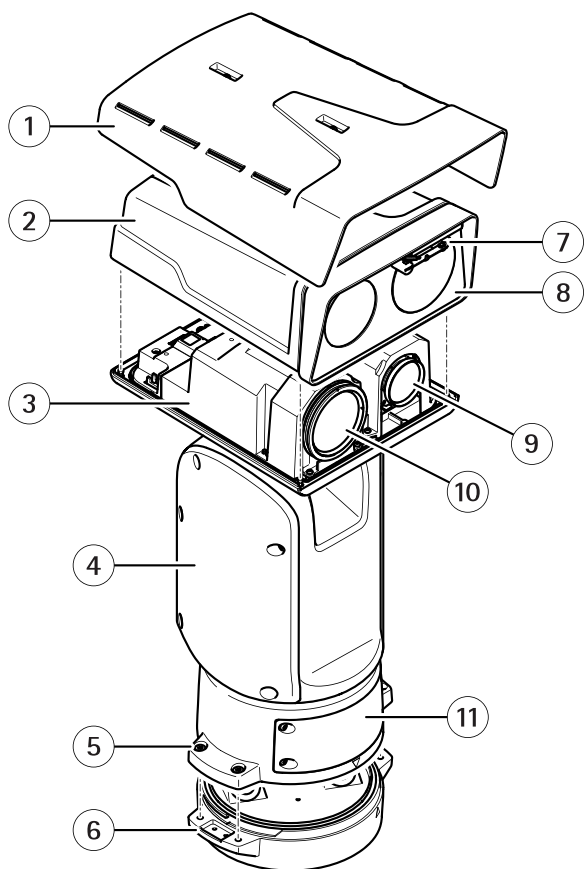


## 包装内容



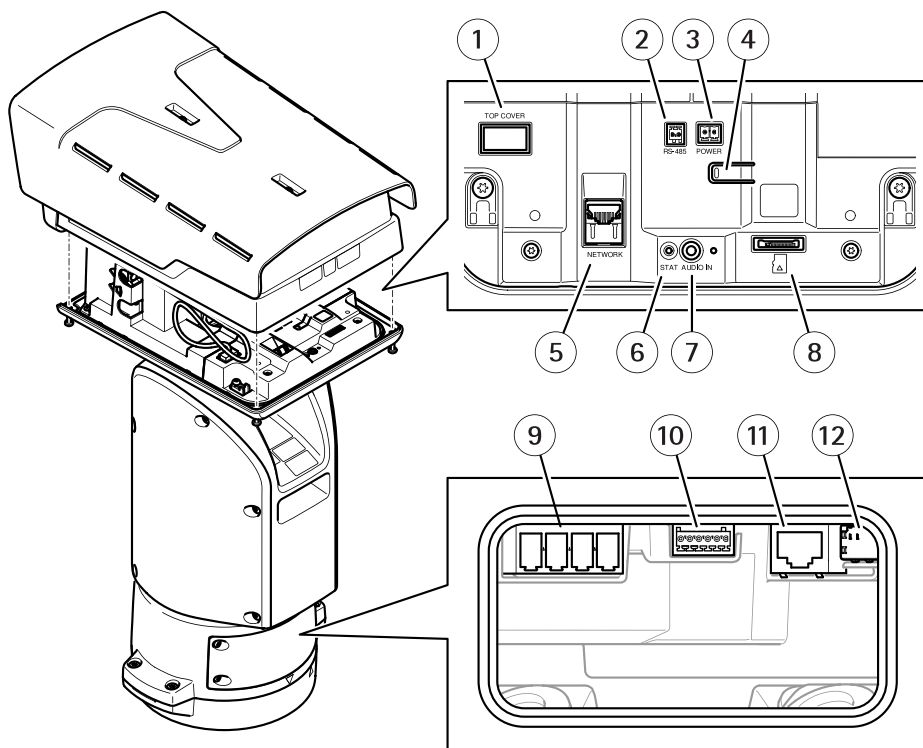
ZH

## 产品概述



- 1 耐候保护罩
- 2 顶罩
- 3 内罩
- 4 定位单元
- 5 底座单元螺丝
- 6 底座单元
- 7 雨刮器
- 8 前部带有保护膜
- 9 视觉镜头
- 10 热透镜

## 11 盖



- 1 顶罩连接器
- 2 RS485 连接器
- 3 电源连接器
- 4 控制按钮
- 5 RJ45 连接器
- 6 LED 状态指示灯
- 7 音频输入 3.5 毫米连接器
- 8 SD 卡槽 (microSD, 不含卡)
- 9 输入电源连接器
- 10 I/O 连接器
- 11 RJ45 连接器
- 12 SFP 模块的 SFP 插槽 (不含)

## 如何安装产品

### ⚠危险

电击风险。安装产品之前，电缆都应断电。

### ⚠小心

电气连接和导线管安装应由经过认证的电工执行，并遵守当地法规。

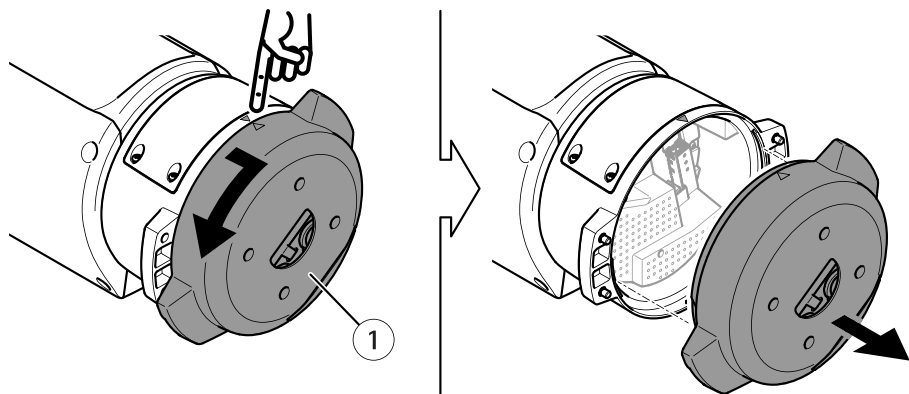
### ⚠小心

⚠伤害风险。活动部件。操作期间，请保持身体部位远离产品。安装或维护产品时，请断开电源。

### ⚠小心

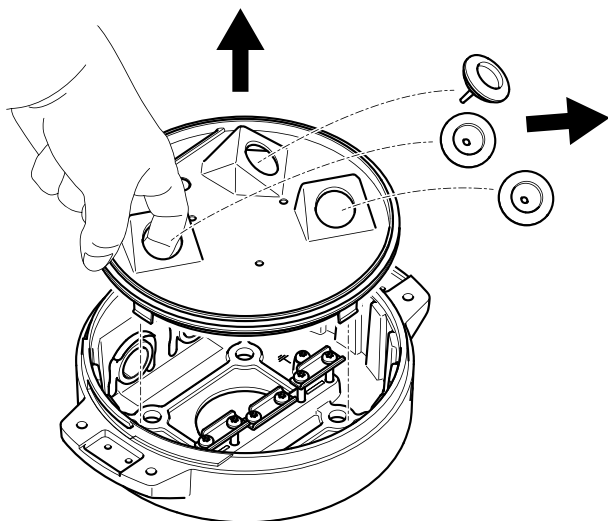
⚠伤害风险。灼热的表面。请勿在操作期间触摸该产品。执行产品维护时，请断开电源并让表面冷却。

## 安装底座单元



1 底座单元

1. 移除四颗底座单元螺丝 (T30)。
2. 同时逆时针拉转底座单元，直到底座单元和定位单元其余部分的箭头对齐。
3. 移除底座单元。

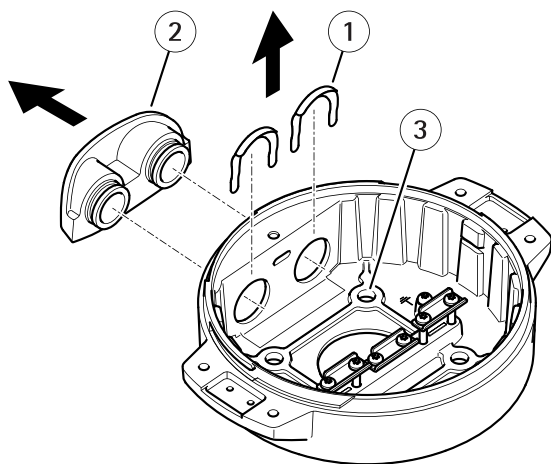


**注意**

移除透明底座单元盖板时，请勿使用尖锐工具。

4. 移除透明底座单元盖板。

ZH



- 1 导线管盖夹
- 2 导线管盖

# AXIS Q8752-E Bispectral PTZ Camera

## 3 螺丝孔 (4 个)

5. 仅适用于导线管安装：取下两个导线管盖夹，然后取下导线管盖。
6. 在四个螺丝孔中使用适当的紧固件将底座单元固定到安装表面。

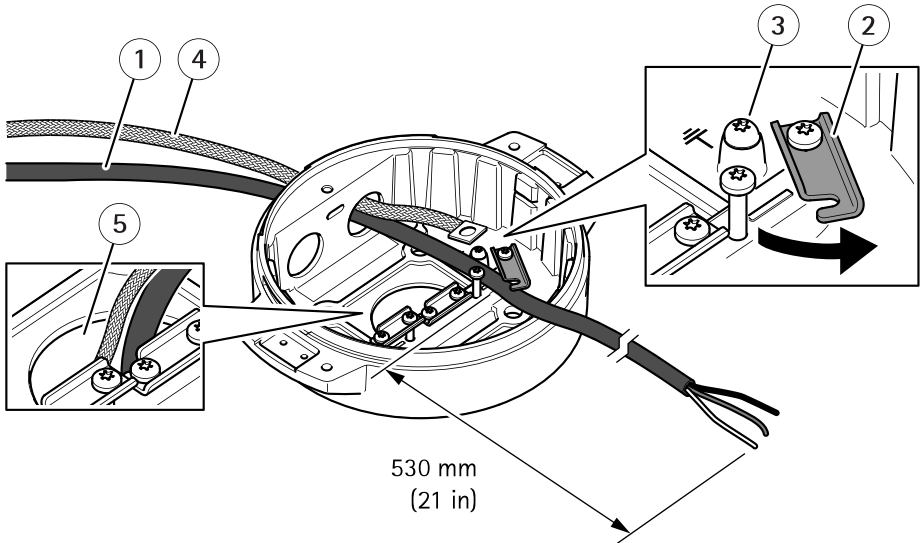
## 布线

### ⚠警告

触电危险。本产品应同时使用电源线中的保护接地线和接地编织层进行接地。确保保护接地线和接地编织层的两端与其各自的接地表面接触。

### 重要

仅使用符合指定电缆区域要求的电缆。有关详细信息，请参见 *电缆厚度* 在第130页。

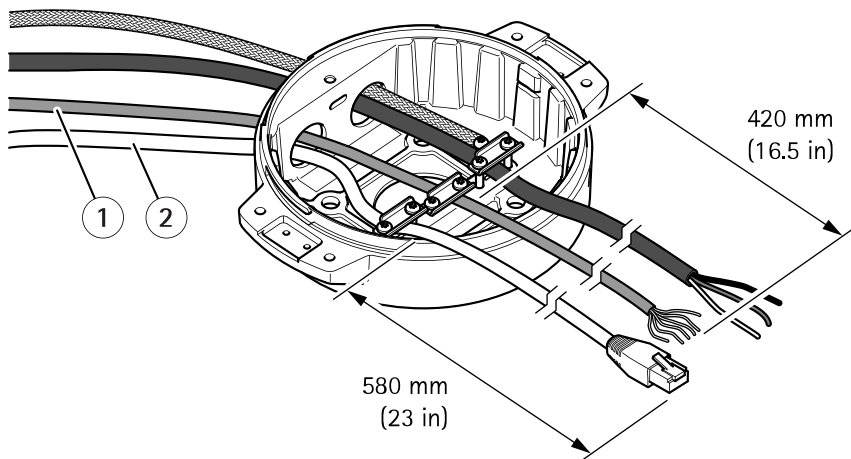


- 1 电源线 (不包括)
- 2 应力消除器
- 3 接地螺丝
- 4 接地编织层 (不包括)
- 5 底部电缆孔

1. 安装可选的导线管适配器 (不包括)。
2. 将接地编织层连接到接地螺丝。

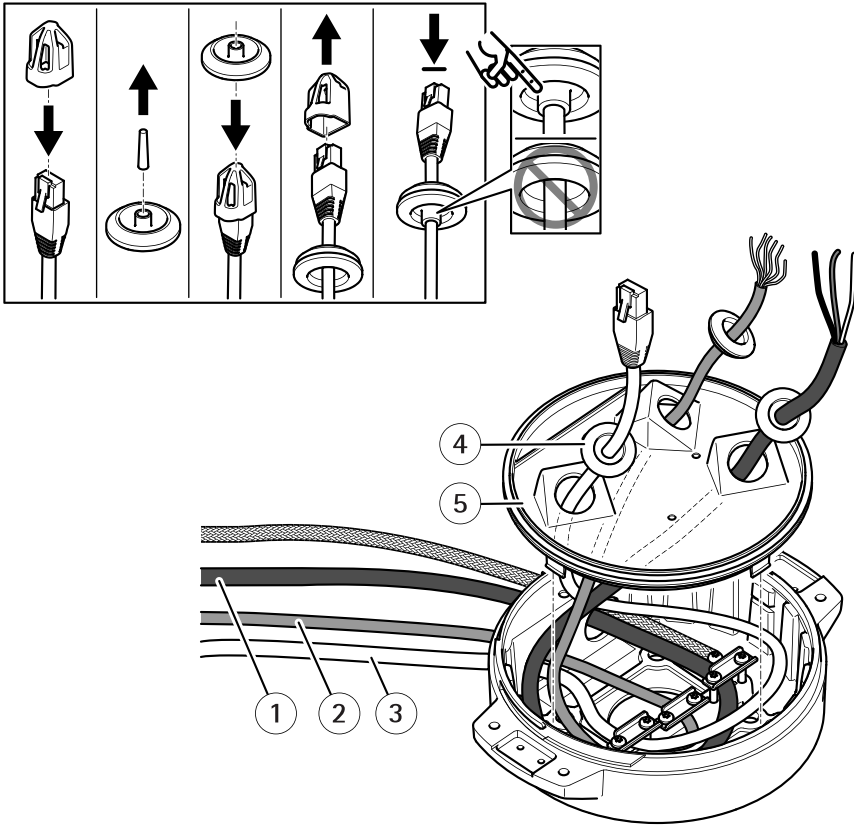


3. 将电源线、I/O 电缆和网络电缆穿过底座单元上的孔（如上图所示）。或者，将其穿过底部电缆孔。
4. 将电源线穿过应力消除器，并保持应力消除器与电缆末端距离为 530 毫米（21 英寸）。



- 1 I/O 电缆（可选，不包括）
- 2 网络电缆（不包括）

5. 将 I/O 电缆（可选）穿过应变消除件，并使应变消除件至电缆端的距离为 420 毫米（16.5 英寸）。
6. 将网络电缆（光纤电缆和/或 RJ45 电缆）穿过应力消除器，并保持应力消除器与连接器末端的距离为 580 毫米（23 英寸）。有关不同网络连接选项的详细信息，请参见 [安装网络链路](#) 在第 125 页。
7. 合上并拧紧这三个应力消除器。



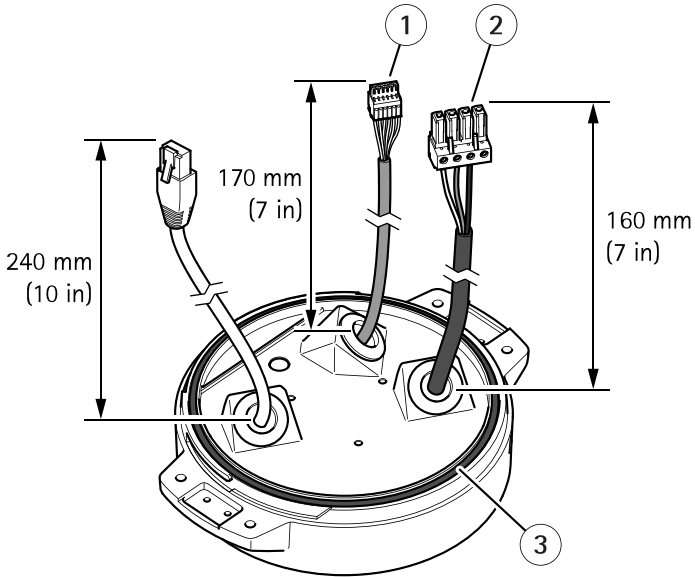
- 1 电源线 (不包括)
- 2 I/O 电缆 (可选, 不包括)
- 3 网络电缆 (不包括)
- 4 电缆垫片
- 5 透明底座单元盖板

8. 将电缆垫片安装到电缆上。请参见 *电缆厚度* 在第130页。
9. 将电源线、I/O 电缆和网络电缆 (包括电缆垫片) 穿过透明底座单元盖板上的孔, 然后按照上图所示进行布线。

## 注意

如果您同时使用光纤电缆和 RJ45 电缆进行网络连接, 请将光纤电缆与 I/O 电缆穿过同一电缆垫片。在电缆和电缆垫片之间涂抹密封剂以防电缆滑出。有关不同网络连接选项的详细信息, 请参见 *安装网络链路* 在第125页。

10. 将透明底座单元盖板放在底座单元上，并将线缆垫圈安装在孔内。



- 1 I/O 连接器
- 2 电源连接器
- 3 O 形环

### 注意

为避免电缆被拉扯时单元电源意外断开，保护接地线应该比他两条电线（电源线内）长约 10 毫米（0.4 英寸）。

### 备注

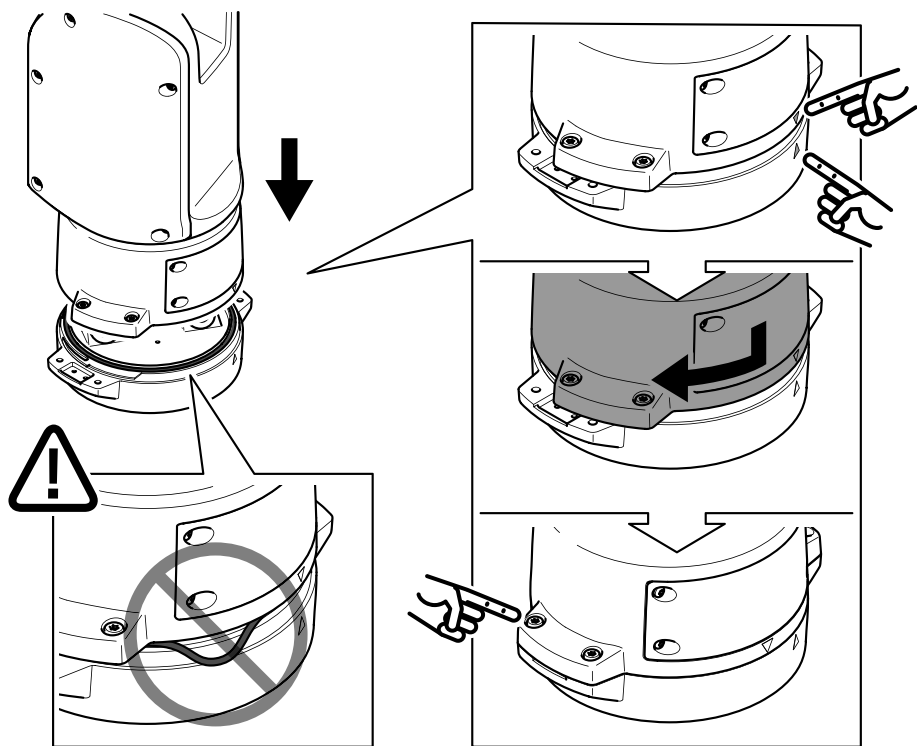
为了让安装尽可能简单，我们建议您将电源线护套剥去约 90 毫米（3.5 英寸），并将 I/O 电缆护套剥去 70 毫米（2.8 英寸）。

11. 安装电源连接器和 I/O 连接器。

12. 调整网络、I/O 和电源线，以使电缆垫片与连接器末端的距离分别为 240 毫米（10 英寸）、170 毫米（7 英寸）及 160 毫米（7 英寸）。

### 注意

确保 O 型环正确安装在透明底座单元盖板周围。



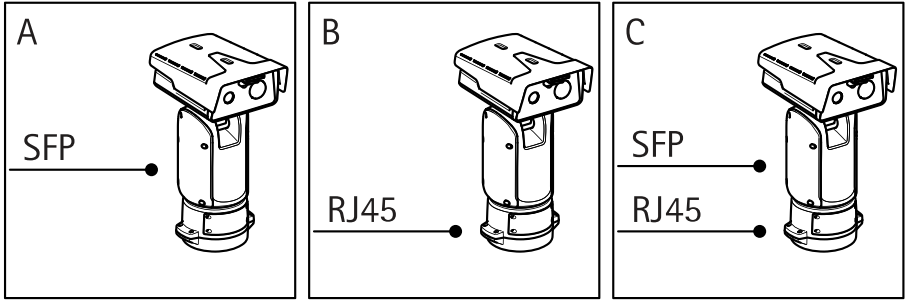
13. 将定位单元放在底座单元上。确保两个单元上的箭头对齐。

14. 按顺时针方向将定位单元转回至其初始位置并拧紧 4 个底座单元螺丝（扭矩 3.0 牛米）。

## 注意

在安装两个单元时，请确保电缆未被夹扁。

## 安装网络链路



安装网络链路时，有几个选项可以选择：

- A：通过光纤电缆或与 SFP 插槽中的 SFP 模块（带有相应的连接器）连接的 RJ45 电缆。
- B：通过与固定式 RJ45 连接器连接的 RJ45 电缆。
- C：同时连接上述两种电缆，在此情况下，SFP 模块连接用作主网络链路，固定的 RJ45 连接用作故障转移链路。

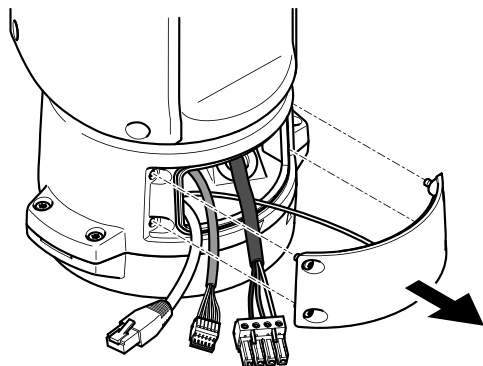
ZH

有关网络连接器位置的详细信息，请参见 *产品概述* 在第 116 页。

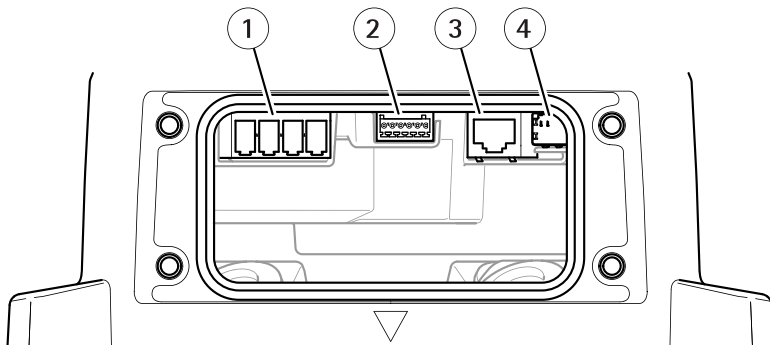
### 备注

- 不包括 SFP 模块。有关可用 SFP 模块的详细信息，请参见 [axis.com](http://axis.com)
- 如果您仅通过使用相应 SFP 模块的光纤电缆安装网络链路，它可以用作远程布线安装的独立解决方案。

## 连接电缆

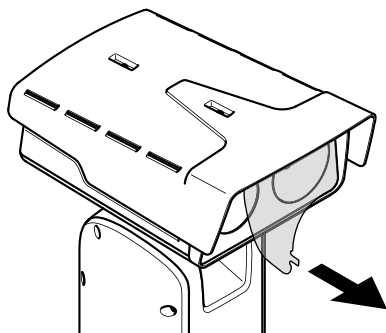


1. 松开四颗盖子螺丝 (T20)，然后取下盖子。



- 1 输入电源连接器
- 2 I/O 连接器
- 3 RJ45 连接器
- 4 SFP 模块的 SFP 插槽 (不包括 SFP 模块)


2. 连接网络 (光纤和/或 RJ45)、I/O 和电源线。有关不同网络连接选项的详细信息，请参见 [安装网络链路](#) 在第 125 页。
3. 将盖子放回原来位置，拧紧四颗盖子螺丝 (扭矩 3.0 牛米)。




4. 移除保护盖。
5. 接通产品电源。

## 移除顶罩

### ⚠小心

 受伤风险。活动部件。操作期间，请保持身体部位远离产品。安装或维护产品时，请断开电源。

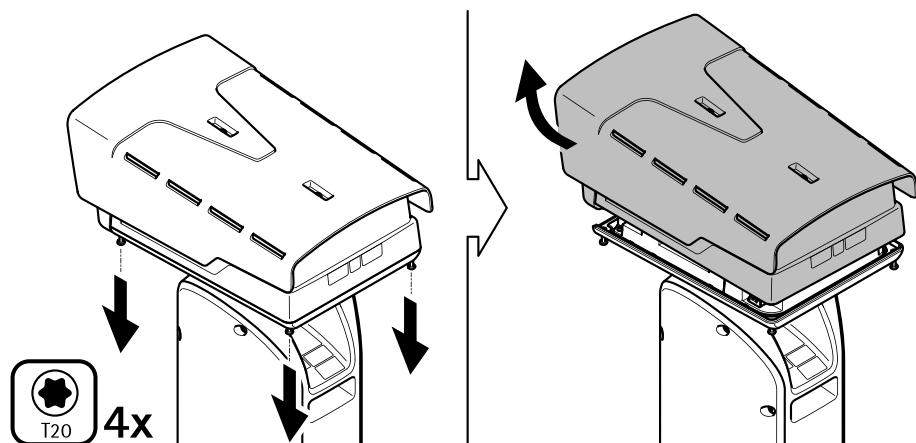
### ⚠小心

 受伤风险。灼热的表面。请勿在操作期间触摸该产品。执行产品维护时，请断开电源并让表面冷却。

### 注意

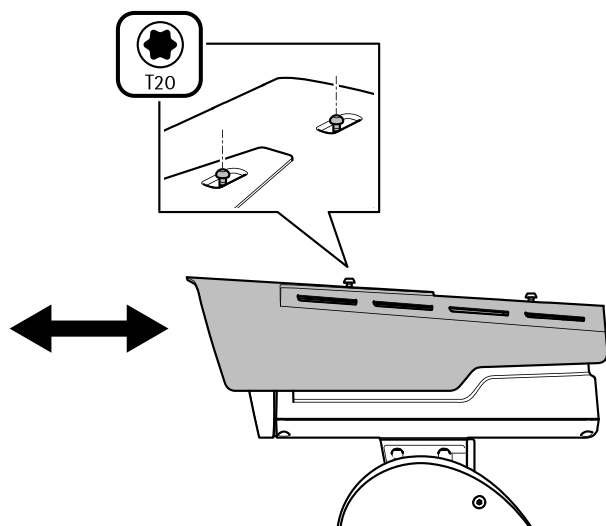
移除顶罩时，将显露易受碰撞影响的视觉摄像机部件。移除顶罩时，请确保不要让顶罩碰撞无保护的摄像机。

要插入 SD 卡或重置为出厂默认设置，请移除顶罩：



要查明 SD 卡的插入位置或重置为出厂默认设置，请参见 [产品概述](#) 在第116页。更多信息请参见 [axis.com](#) 上的用户手册

## 调节风雨罩



1. 拧松耐候保护罩的 2 个螺丝。



2. 将耐候保护罩设置在首选位置。
3. 拧紧耐候保护罩的 2 个螺丝（扭矩 0.8 牛米）。

## 规格

要查找最新版本的产品数据表，请转到 [axis.com](http://axis.com) 上的产品页并查找**支持和文档**。

## 电缆厚度

使用本产品随附的电缆垫片时，电缆直径应在 5 至 11 毫米（0.2 至 0.4 英寸）的范围内。

### 注意

- 使用保持在指定电缆区域内的电缆
- 选择符合当地法规的电缆
- 确保电缆孔都已正确密封
- 使用与电缆孔和电缆区域相匹配的电缆垫圈或电缆套管

有关附件（如适合其他电缆区域的电缆垫圈和电缆套管）的信息，请参见 [www.axis.com](http://www.axis.com)

## 安全信息

### 危险等级

#### ▲危险

表示如果不能避免则会导致死亡或严重伤害的危险情况。

#### ▲警告

表示如果不能避免则可能导致死亡或严重伤害的危险情况。

#### ▲小心

表示如果不能避免则可能导致轻微或中度伤害的危险情况。

#### 注意

表示如果不能避免则可能导致财产损失的情况。

### 其他消息等级

#### 重要

表示产品正常工作所必需的重要信息。

#### 备注

表示有助于充分利用产品的有用信息。

### 安全说明


#### ▲危险

电击风险。在对产品进行安装或维护之前，应断开所有电缆的电源。


#### ▲警告

安讯士产品应由受过培训的专业人员进行安装，并遵守当地法律和法规。

#### ▲小心

 伤害风险。活动部件。操作期间，请保持身体部位远离产品。安装或维护产品时，请断开电源。

#### ▲小心

 受伤风险。灼热的表面。请勿在操作期间触摸该产品。执行产品维护时，请断开电源并让表面冷却。

#### 注意

- 使用安讯士产品时应遵守当地法律和法规。
- 在干燥通风的环境中存放安讯士产品。
- 避免将安讯士产品暴露在冲击或高压环境下。
- 请勿将产品安装在不稳固的立杆、支架、表面或墙壁上。
- 安装安讯士产品时，仅使用适用的工具。使用电动工具过度施力可能导致产品损坏。
- 请勿使用化学品、腐蚀剂或气雾剂。
- 使用蘸纯净水的干净布进行清洁。
- 仅使用符合产品技术规格的附件。这些附件可由安讯士或第三方提供。安讯士推荐使用与产品兼容的安讯士电源设备。
- 仅使用安讯士提供或推荐的备件。

- 请勿尝试自行维修产品。有关服务事项，请联系安讯士支持部门或安讯士经销商。
- 请勿将摄像机镜头对准太阳或其他高强度辐射源，因为这可能会损坏摄像机。

### 运输

#### 注意

- 安讯士产品运输途中，应使用其原包装或等效包装，以防对产品造成损坏。

### 电池

安讯士产品使用 3.0 V BR2032 锂电池作为其内部实时时钟 (RTC) 的电源。在正常情况下，此电池将持续至少五年。

蓄电池电量过低会影响实时时钟的运行，从而导致实时时钟在每次上电时重置。当电池电压较低时，产品的服务器报告中将显示一条日志消息。

#### ▲小心

请勿自行更换电池。如果日志消息要求更换电池，请联系安讯士支持部门。

3.0 V 纽扣锂电池内含 1,2-二甲氧基乙烷；乙二醇二甲醚 (EGDME)，CAS 编号为 110-71-4。

