

AXIS PT IR Illuminator Kit C

Installation guide

English

EN

Français

FR

Deutsch

DE

Italiano

IT

Español

ES

日本語

JA

中文: 简体中文

ZH

AXIS PT IR Illuminator Kit C

Read this first	7
Legal considerations	7
Liability	7
Intellectual property rights	7
Equipment modifications	7
Trademark acknowledgements	7
Regulatory information	7
Disposal and recycling	8
Contact information	8
Warranty information	8
Support	8
Learn more!	8
Safety information	9
Hazard levels	9
Other message levels	9
Safety instructions	10
Transportation	10
Package contents	11
Hardware overview	12
How to install the product	13
Specifications	19
Connectors	19
Operating conditions	19
Power consumption	20
Informations sur la sécurité	21
Niveaux de risques	21
Autres niveaux de message	21
Consignes de sécurité	22
Transport	22
Contenu de l'emballage	23
Présentation du matériel	24
Comment installer le produit	25
Specifications	31
Connecteurs	31
Conditions d'utilisation	31
Consommation d'énergie	32
Sicherheitsinformationen	33
Gefährdungsstufen	33
Andere Meldeebenen	33
Sicherheitsanweisungen	34
Transport	34
Lieferumfang	35
Übersicht über die Hardware	36
Installieren des Produkts	37
Technische Daten	43
Anschlüsse	43
Betriebsbedingungen	43

Leistungsaufnahme	44
Informazioni di sicurezza	45
Livelli di pericolo	45
Altri livelli di messaggio	45
Istruzioni per la sicurezza	46
Trasporto	46
Contenuto della confezione	47
Panoramica dell'hardware	48
Come installare il dispositivo	49
Specifiche	55
Connettori	55
Condizioni di funzionamento	55
Consumo elettrico	56
Información de seguridad	57
Niveles de peligro	57
Otros niveles de mensaje	57
Instrucciones de seguridad	58
Transporte	58
Contenido del paquete	59
Información general del hardware	60
Cómo instalar el producto	61
Especificaciones	67
Conectores	67
Condiciones de funcionamiento	67
Consumo de energía	68
安全情報	69
危険レベル	69
その他のメッセージレベル	69
安全に関する指示	70
輸送	70
パッケージの内容	71
ハードウェアの概要	72
製品の取り付け方法	73
仕様	79
コネクタ	79
動作条件	79
消費電力	80
安全情報	81
危険等級	81
其他消息等級	81
安全说明	82
运输	82
包装内容	83
硬件概览	84
如何安装产品	85
规格	91
连接器	91

AXIS PT IR Illuminator Kit C

工作条件	91
功耗	92

Read this first

Read through this installation guide carefully before you install the product. Keep the installation guide for future reference.

Legal considerations

Video and audio surveillance can be regulated by laws that vary from country to country. Check the laws in your local region before using this product for surveillance purposes.

Liability

Every care has been taken in the preparation of this document. Please inform your local Axis office of any inaccuracies or omissions. Axis Communications AB cannot be held responsible for any technical or typographical errors and reserves the right to make changes to the product and manuals without prior notice. Axis Communications AB makes no warranty of any kind with regard to the material contained within this document, including, but not limited to, the implied warranties of merchantability and fitness for a particular purpose. Axis Communications AB shall not be liable nor responsible for incidental or consequential damages in connection with the furnishing, performance or use of this material. This product is only to be used for its intended purpose.

Intellectual property rights

Axis AB has intellectual property rights relating to technology embodied in the product described in this document. In particular, and without limitation, these intellectual property rights may include one or more of the patents listed at axis.com/patent and one or more additional patents or pending patent applications in the US and other countries.

Equipment modifications

This equipment must be installed and used in strict accordance with the instructions given in the user documentation. This equipment contains no user-serviceable components. Unauthorized equipment changes or modifications will invalidate all applicable regulatory certifications and approvals.

Trademark acknowledgements

AXIS COMMUNICATIONS, AXIS, ARTPEC and VAPIX are registered trademarks of Axis AB in various jurisdictions. All other trademarks are the property of their respective owners.

Regulatory information

Europe



This product complies with the applicable CE marking directives and harmonized standards:

- Electromagnetic Compatibility (EMC) Directive 2014/30/EU. See *Electromagnetic compatibility (EMC) on page 7*.
- Low Voltage Directive (LVD) 2014/35/EU. See *Safety on page 8*.
- Restriction of Hazardous Substances (RoHS) Directive 2011/65/EU and 2015/863, including

any amendments, updates or replacements. See *Disposal and recycling on page 8*.

A copy of the original declaration of conformity may be obtained from Axis Communications AB. See *Contact information on page 8*.

Electromagnetic compatibility (EMC)

This equipment has been designed and tested to fulfill applicable standards for:

- Radio frequency emission when installed according to the instructions and used in its intended environment.
- Immunity to electrical and electromagnetic phenomena when installed according to the instructions and used in its intended environment.

USA

This device complies with part 15 of the FCC Rules. Operation is subject to the following two conditions:

1. This device may not cause harmful interference, and
2. This device must accept any interference received, including interference that may cause undesired operation.

This equipment has been tested and found to comply with the limits for a Class A digital device, pursuant to part 15 of the FCC Rules. These limits are designed to provide reasonable protection against harmful interference when the equipment is operated in a commercial environment. This equipment generates, uses, and can radiate radio frequency energy and, if not installed and used in accordance with the instruction manual, may cause harmful interference to radio communications. Operation of this equipment in a residential area is likely to cause harmful interference in which case the user will be required to correct the interference at his own expense. The product shall be properly grounded.

Contact information

Axis Communications Inc.
300 Apollo Drive
Chelmsford, MA 01824
United States of America
Tel: +1 978 614 2000

Canada

This digital apparatus complies with CAN ICES-3 (Class A). The product shall be properly grounded. Cet appareil numérique est conforme à la norme CAN NMB-3 (classe A). Le produit doit être correctement mis à la terre.

Europe

This digital equipment fulfills the requirements for RF emission according to the Class A limit of EN 55032. The product shall be properly grounded. Notice! This is a Class A product. In a domestic environment this product may cause RF interference, in which case the user may be required to take adequate measures.

Australia/New Zealand

This digital equipment fulfills the requirements for RF emission according to the Class A limit of AS/NZS CISPR 32. The product shall be properly grounded. Notice! This is a Class A product. In a domestic environment this product may cause RF

interference, in which case the user may be required to take adequate measures.

Japan

この装置は、クラスA機器です。この装置を住宅環境で使用すると電波妨害を引き起こすことがあります。この場合には使用者が適切な対策を講ずるよう要求されることがあります。VCCI-A

Safety

This product complies with IEC/EN/UL 62368-1, safety of audio/video and IT equipment, and IEC/EN/UL 60950-22, Safety of Information Technology Equipment.

This product complies with EN 60598-1 Luminaire - General requirements and tests.

Photobiological safety

This product fulfills the requirements for photobiological safety according to IEC/EN 62471 (risk group 2).

Disposal and recycling

When this product has reached the end of its useful life, dispose of it according to local laws and regulations. For information about your nearest designated collection point, contact your local authority responsible for waste disposal. In accordance with local legislation, penalties may be applicable for incorrect disposal of this waste.

Europe



■ This symbol means that the product shall not be disposed of together with household or commercial waste. Directive 2012/19/EU on waste electrical and electronic equipment (WEEE) is applicable in the European Union member states. To prevent potential harm to human health and the environment, the product must be disposed of in an approved and environmentally safe recycling process. For information about your nearest designated collection point, contact your local authority responsible for waste disposal. Businesses should contact the product supplier for information about how to dispose of this product correctly.

This product complies with the requirements of Directive 2011/65/EU and 2015/863 on the restriction of the use of certain hazardous substances in electrical and electronic equipment (RoHS).

China



This product complies with the requirements of SJ/T 11364-2014, Marking for the restriction of hazardous substances in electrical and electronic products.

有毒有害物质或元素						
部件名称	铅 (Pb)	汞 (H-g)	镉 (Cd)	六价铬 (Cr(VI))	多溴联苯 (P-BB)	多溴二苯醚 (P-B-DE)
电气安装部分	X	0	0	0	0	0
0: 表示该有毒有害物质在该部件均质材料中的含量均在GB/T 26572标准规定的限量要求以下。 X: 表示该有毒有害物质至少在该部件的某一均质材料中的含量超出GB/T 26572标准规定的限量要求。						

Contact information

Axis Communications AB
Gränden 1
223 69 Lund
Sweden

Tel: +46 46 272 18 00

axis.com

Warranty information

For information about Axis' product warranty and thereto related information, go to axis.com/warranty.

Support

Should you require any technical assistance, please contact your Axis reseller. If your questions cannot be answered immediately, your reseller will forward your queries through the appropriate channels to ensure a rapid response. If you are connected to the Internet, you can:

- find answers to resolved problems in the FAQ database, search by product, category, or phrase
- report problems to Axis support staff by logging in to your private support area
- chat with Axis support staff
- visit Axis Support at axis.com/support

Learn more!

Visit Axis learning center axis.com/learning for useful trainings, webinars, tutorials and guides.

Safety information

Hazard levels

▲ DANGER

Indicates a hazardous situation which, if not avoided, will result in death or serious injury.

▲ WARNING

Indicates a hazardous situation which, if not avoided, could result in death or serious injury.

▲ CAUTION

Indicates a hazardous situation which, if not avoided, could result in minor or moderate injury.

NOTICE

Indicates a situation which, if not avoided, could result in damage to property.

Other message levels

Important

Indicates significant information which is essential for the product to function correctly.

Note

Indicates useful information which helps in getting the most out of the product.

AXIS PT IR Illuminator Kit C

Safety instructions

⚠ WARNING

The Axis product shall be installed by a trained professional, and in compliance with local laws and regulations.

⚠ CAUTION



IR is emitted from this product. It can be harmful to the eyes. Avoid eye exposure. Use shielding or eye protection.

⚠ CAUTION



Hot surface. Risk of injury. Don't touch the product when it's in operation. Disconnect from power supply and allow the surfaces to cool before performing maintenance on the product.

NOTICE

- The Axis product shall be used in compliance with local laws and regulations.
- Store the Axis product in a dry and ventilated environment.
- Avoid exposing the Axis product to shocks or heavy pressure.
- Do not install the product on unstable poles, brackets, surfaces or walls.
- Use only applicable tools when installing the Axis product. Using excessive force with power tools could cause damage to the product.
- Do not use chemicals, caustic agents, or aerosol cleaners.
- Use a soft cloth dampened with pure lukewarm water to clean the device.
- Don't use chemicals such as window cleaner or acetone to clean your device.
- Use only accessories that comply with the technical specification of your product. These can be provided by Axis or a third party. Axis recommends using Axis power source equipment compatible with your product.
- Use only spare parts provided by or recommended by Axis.
- Do not attempt to repair the product yourself. Contact Axis support or your Axis reseller for service matters.

Transportation

NOTICE

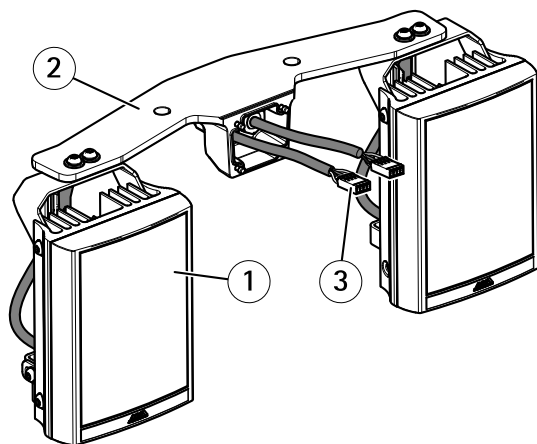
- When transporting the Axis product, use the original packaging or equivalent to prevent damage to the product.

Package contents

- Illuminator (x2)
- Illuminator connector (x2)
- Screw (M6, x4)
- Cable tie (x2)

AXIS PT IR Illuminator Kit C

Hardware overview




- 1 *Illuminator (x2)*
- 2 *Illuminator bracket*
- 3 *Illuminator connector (x2)*

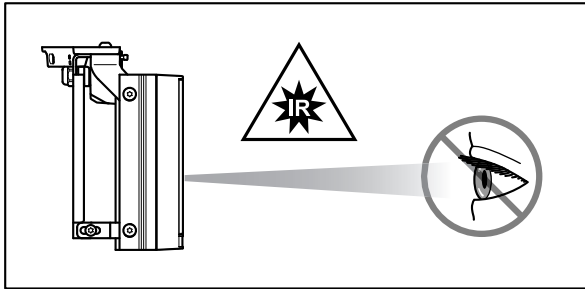
How to install the product

⚠WARNING

Risk of electric shock. Make sure the power supply is disconnected.

⚠CAUTION

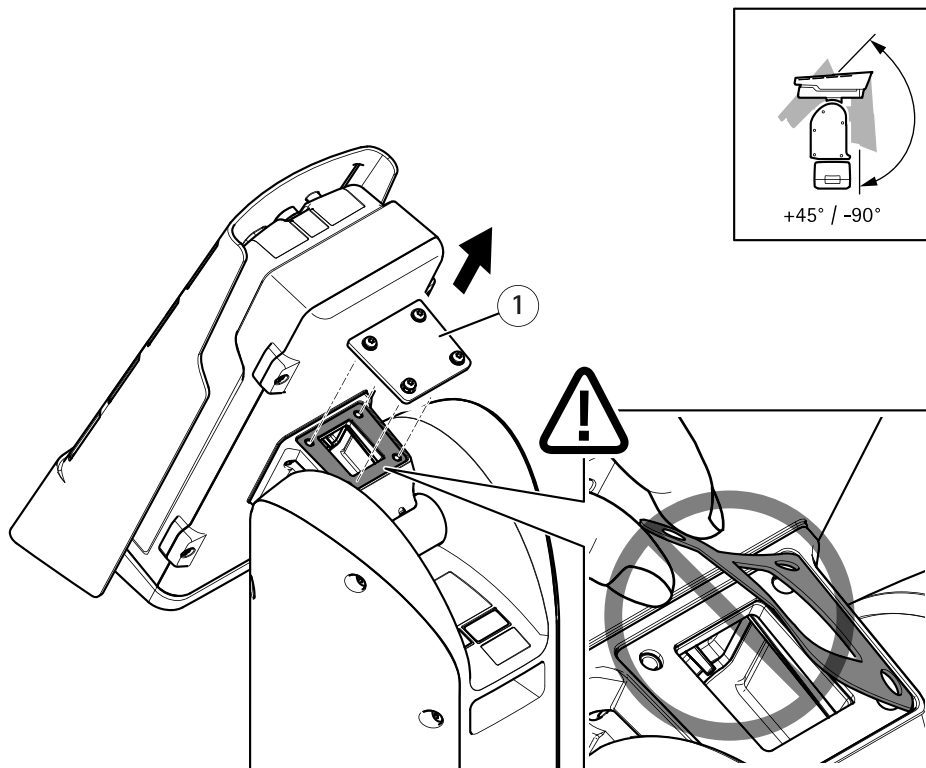
 IR is emitted from this product. It can be harmful to the eyes. Avoid eye exposure. Use shielding or eye protection.



⚠CAUTION

During normal operation, the surface of the illuminator can reach high temperatures. Do not allow direct contact and position the appliance where it is inaccessible to unauthorized personnel. Before touching, switch off the illuminator and allow to cool for a minimum period of 10 minutes.

AXIS PT IR Illuminator Kit C

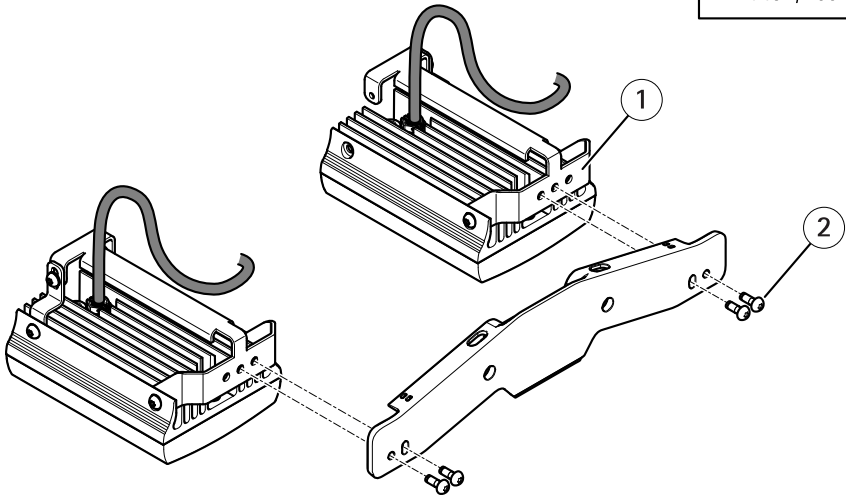
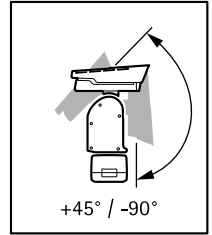


1 Cover

1. Remove the four cover screws (T20) and remove the cover.

Important

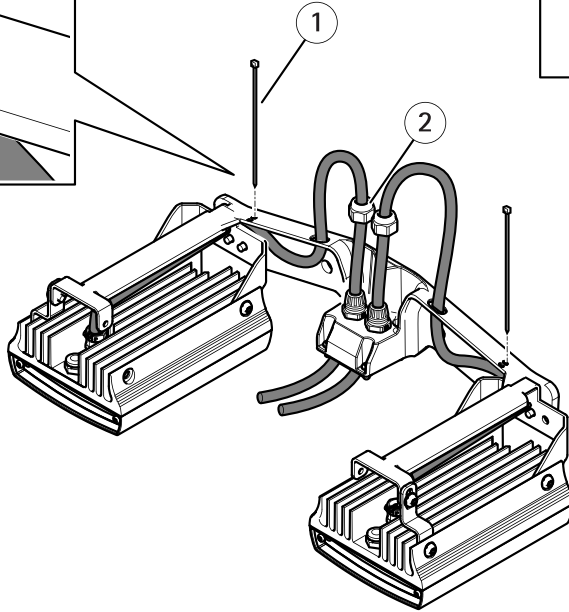
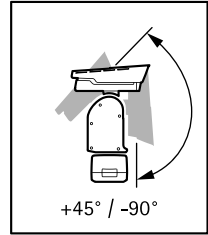
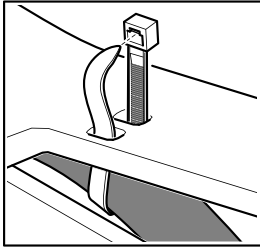
Make sure that the gasket under the cover remains in place.



- 1 Illuminator (x2)
- 2 Screw (M6, x4)

2. Attach the illuminators to the illuminator bracket using the four screws.

AXIS PT IR Illuminator Kit C



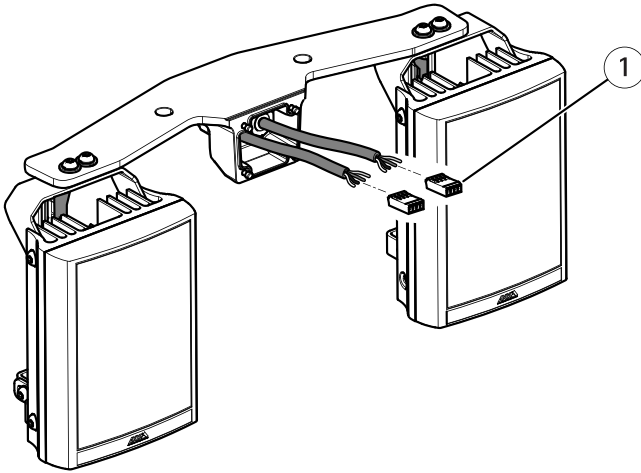
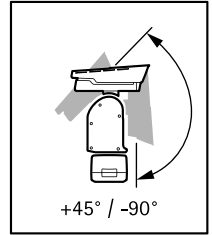
- 1 Cable tie (x2)
- 2 Cap nut (x2)

3. Route the cables as shown in the illustration above and tighten the cap nuts (torque 1.5 Nm).

Important

To avoid water damage when tightening the cap nuts, make sure the rubber gaskets remain in place.

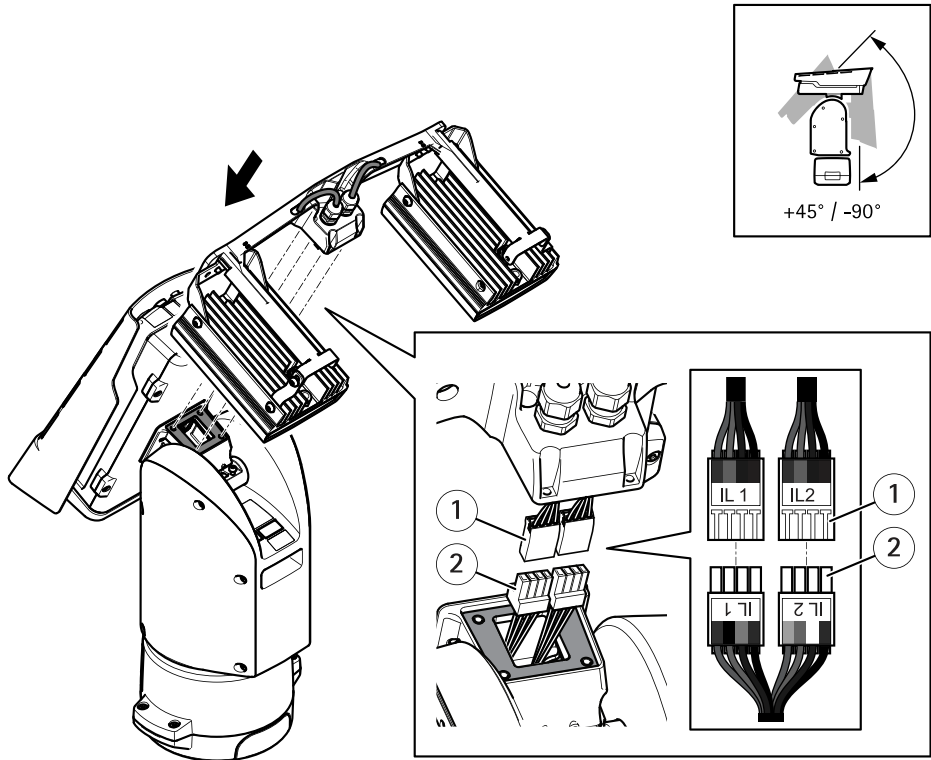
4. Strap the cables to the illuminator bracket using cable ties.



1 Illuminator connector (x2)

5. Install the connectors. See *Connectors* on page 19.

AXIS PT IR Illuminator Kit C



- 1 Connector from the illuminator (x2)
- 2 Connector from the positioning unit (x2)

- 6. Connect the cables. See *Connectors* on page 19.
- 7. Attach the illuminator bracket to the positioning unit using the four screws (T20, torque 3.0 Nm).

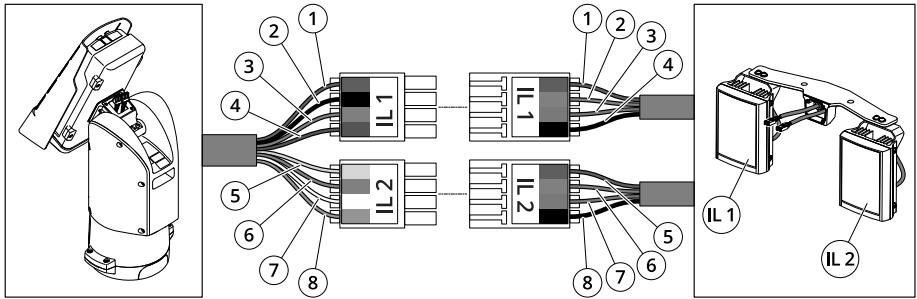
Note

For more information on operating the illuminators, see the illuminator LED manual (check model on product label) and the User Manual of your compatible Axis product at www.axis.com

Specifications

Connectors

Illuminator connectors



	Position	Cable color (positioning unit)	Cable color (illuminators)	Description
IL1	1	Red	Red	+24V IL
	2	Black	Orange	IL1 +VE
	3	Gray	Purple	IL1 -VE
	4	Blue	Black	GND
IL2	5	Yellow	Red	+24V IL
	6	Orange	Orange	IL2 +VE
	7	White	Purple	IL2 -VE
	8	Green	Black	GND

Operating conditions

The Axis product is intended for indoor and outdoor use.

AXIS PT IR Illuminator Kit C

Classification	Temperature	Humidity
IEC/EN 60529 IP66 and IP67, ISO 4892-2 method A, cycle 1 (3000 hrs), Type 4X of NEMA 250, Vibration: Class 4M4 IEC 60721-3-4, Shock: Class 4M4 IEC 60721-3-4, Delimitations: 4M4 IEC TR 60721-4-4	Operation: -50 °C to 60 °C (-58 °F to 140 °F)Cold start: -40 °C to 60 °C (-40 °F to 140 °F)	10–100% RH (non-condensing)

Power consumption

Product	Input voltage	Maximum light / standby mode*
AXIS PT IR Illuminator Kit C	12–24 V AC/DC	96 W / 0.30 W

NOTICE

*Values given are for two illuminators per kit.

Informations sur la sécurité

Niveaux de risques

▲ DANGER

Indique une situation dangereuse qui, si elle n'est pas évitée, entraînera le décès ou des blessures graves.

▲ AVERTISSEMENT

Indique une situation dangereuse qui, si elle n'est pas évitée, pourrait entraîner le décès ou des blessures graves.

▲ ATTENTION

Indique une situation dangereuse qui, si elle n'est pas évitée, pourrait entraîner des blessures légères ou modérées.

AVIS

Indique une situation qui, si elle n'est pas évitée, pourrait endommager l'appareil.

Autres niveaux de message

Important

Indique les informations importantes, nécessaires pour assurer le bon fonctionnement de l'appareil.

Remarque


Indique les informations utiles qui permettront d'obtenir le fonctionnement optimal de l'appareil.

Consignes de sécurité


⚠ AVERTISSEMENT

Le produit Axis doit être installé par un professionnel qualifié et conformément aux lois et réglementations locales en vigueur.

⚠ ATTENTION

 IR émis par ce produit. Cela peut être nocif pour les yeux. Évitez toute exposition des yeux. Utilisez un écran ou une protection oculaire.

⚠ ATTENTION

 Surfaces chaudes. Risque de blessure. Ne touchez pas le produit lorsqu'il est en fonctionnement. Débranchez l'alimentation électrique et laissez les surfaces refroidir avant d'effectuer l'entretien du produit.

AVIS

- Le produit Axis doit être utilisé conformément aux lois et règlements locaux.
- Conserver ce produit Axis dans un environnement sec et ventilé.
- Ne pas exposer ce produit Axis aux chocs ou aux fortes pressions.
- Ne pas installer ce produit sur des poteaux, supports, surfaces ou murs instables.
- Utiliser uniquement des outils recommandés pour l'installation de l'appareil Axis. L'application d'une force excessive sur l'appareil avec des outils puissants pourrait l'endommager.
- Ne pas utiliser de produits chimiques, de substances caustiques ou de nettoyeurs pressurisés.
- Pour nettoyer le dispositif, utilisez un chiffon doux humide à l'eau tiède pure.
- N'utilisez pas de produits chimiques tels que le nettoyant pour vitres ou l'acétone pour nettoyer votre dispositif.
- Utiliser uniquement des accessoires conformes aux caractéristiques techniques de votre produit. Ils peuvent être fournis par Axis ou un tiers. Axis recommande d'utiliser un équipement d'alimentation Axis compatible avec votre produit.
- Utiliser uniquement les pièces de rechange fournies ou recommandées par Axis.
- Ne pas essayer de réparer vous-même ce produit. Contacter l'assistance technique d'Axis ou votre revendeur Axis pour des problèmes liés à l'entretien.

Transport

AVIS

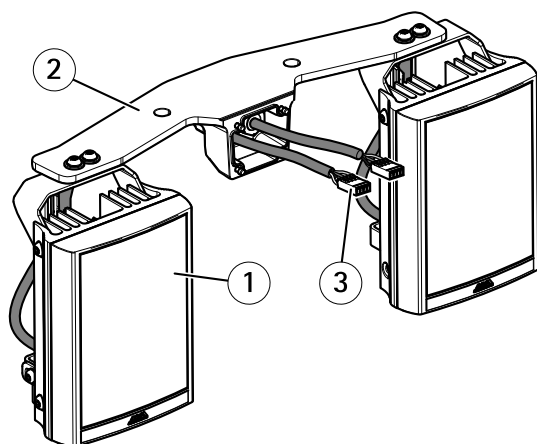
- Lors du transport du produit Axis, utilisez l'emballage d'origine ou un équivalent pour éviter d'endommager le produit.

Contenu de l'emballage

- Illuminateur (x2)
- Connecteur d'illuminateur (x2)
- Vis (M6, x4)
- Frette de câbles (x2)

AXIS PT IR Illuminator Kit C

Présentation du matériel



- 1 *Illuminateur (x2)*
- 2 *Support d'illuminateur*
- 3 *Connecteur d'illuminateur (x2)*

Comment installer le produit

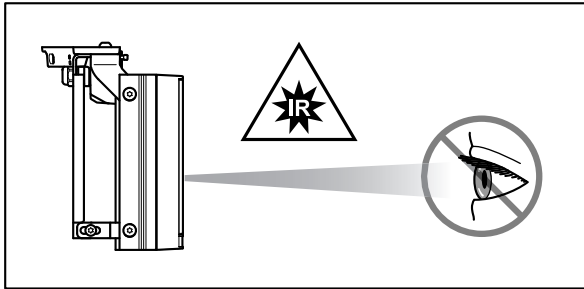
⚠️ AVERTISSEMENT

Risque de choc électrique. Assurez-vous que l'alimentation est débranchée.

⚠️ ATTENTION

⚠️ IR émis par ce produit. Cela peut être nocif pour les yeux. Évitez toute exposition des yeux. Utilisez un écran ou une protection oculaire.

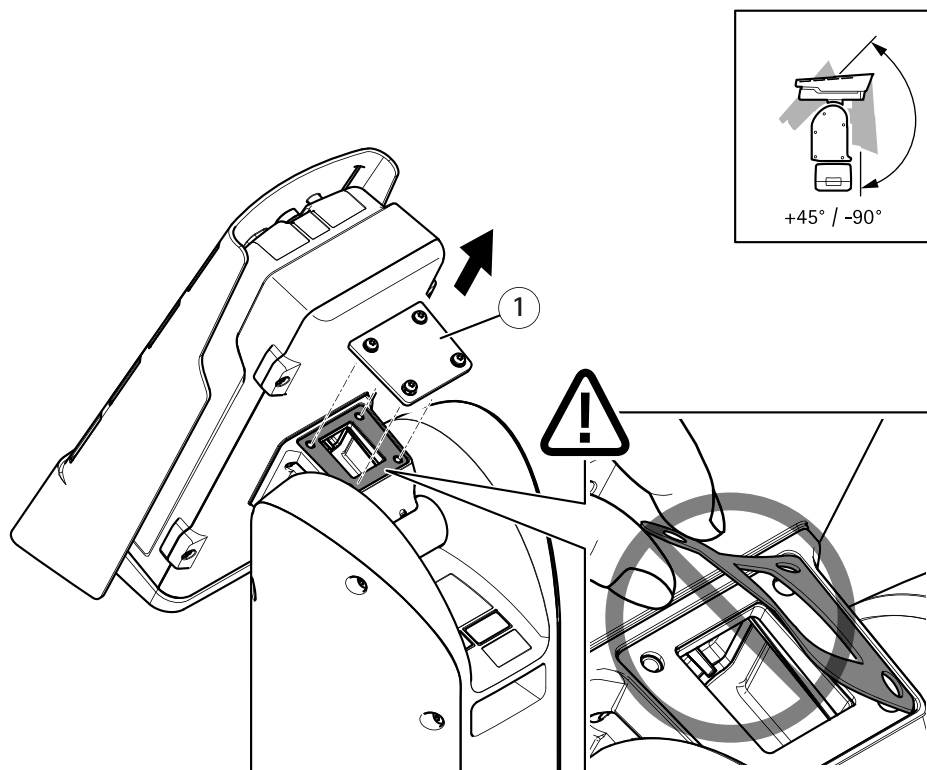
FR



⚠️ ATTENTION

En fonctionnement normal, il est possible que la surface du projecteur atteigne des températures élevées. Évitez tout contact direct et placez l'appareil à un endroit inaccessible au personnel non autorisé. Avant de le toucher, mettez l'éclairage hors tension et laissez-le refroidir pendant au moins 10 minutes.

AXIS PT IR Illuminator Kit C

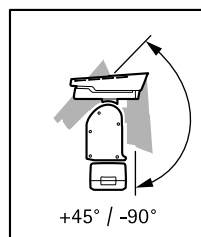


1 Couverture

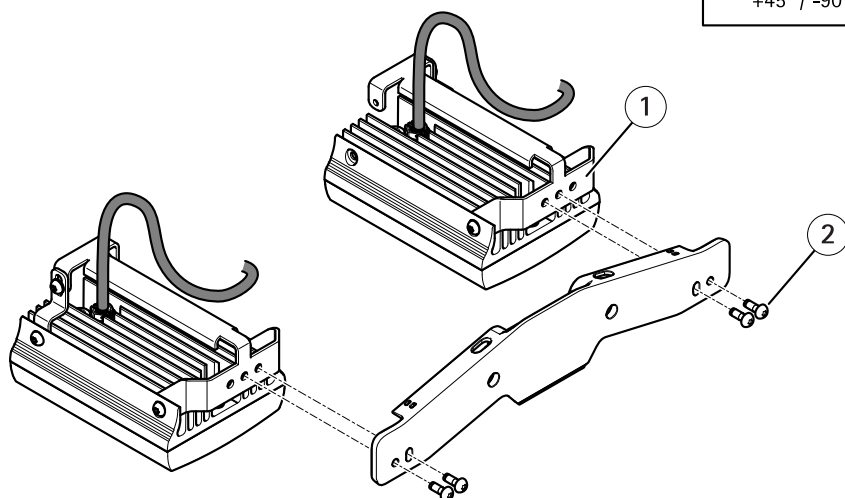
1. Retirez les quatre vis du couvercle supérieur (T20) et le couvercle.

Important

Assurez-vous que le joint sous le couvercle reste en place.



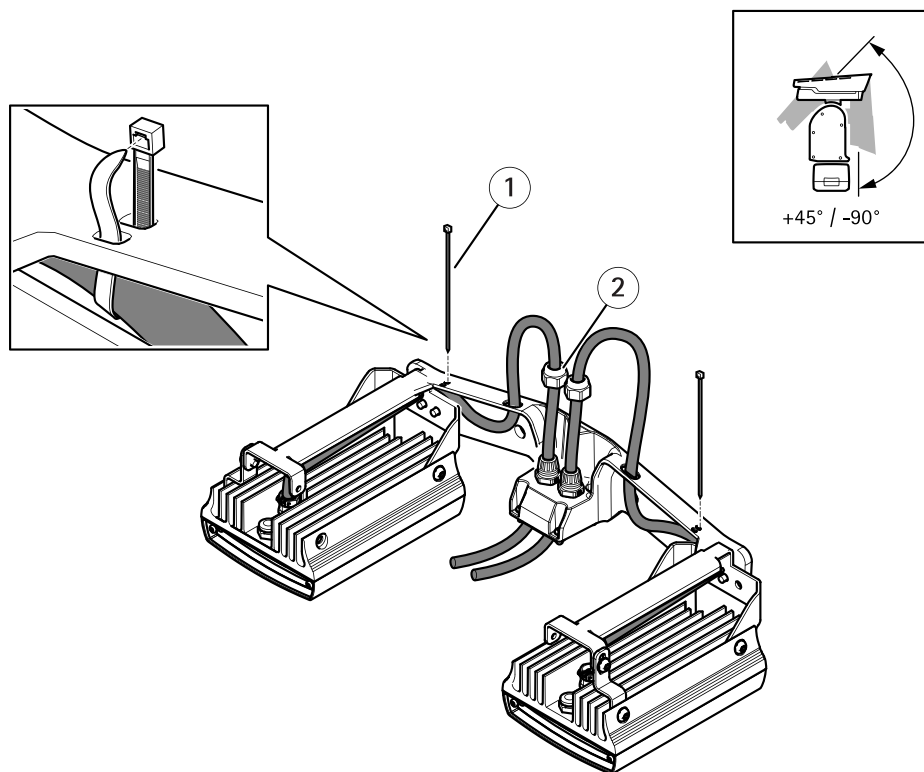
FR



- 1 Projecteur (x2)
- 2 Vis (M6, x4)

2. Fixez les projecteurs au support de projecteur à l'aide des quatre vis.

AXIS PT IR Illuminator Kit C



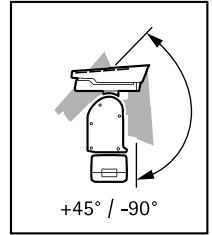
- 1 Frette de câbles (x2)
- 2 Écrou borgne (x2)

3. Acheminez les câbles comme indiqué dans l'illustration ci-dessus et serrez les écrous borgnes (couple de serrage 1,5 Nm).

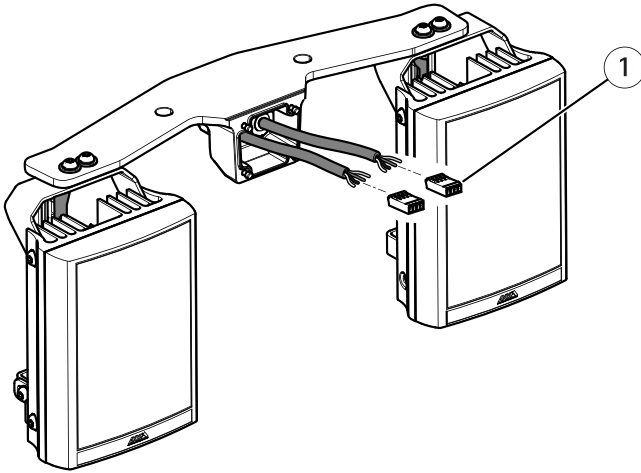
Important

Pour éviter toute infiltration d'eau lors du serrage des écrous borgnes, assurez-vous que les joints en caoutchouc restent en place.

4. Attachez les câbles au support de projecteur à l'aide des attaches de câble.



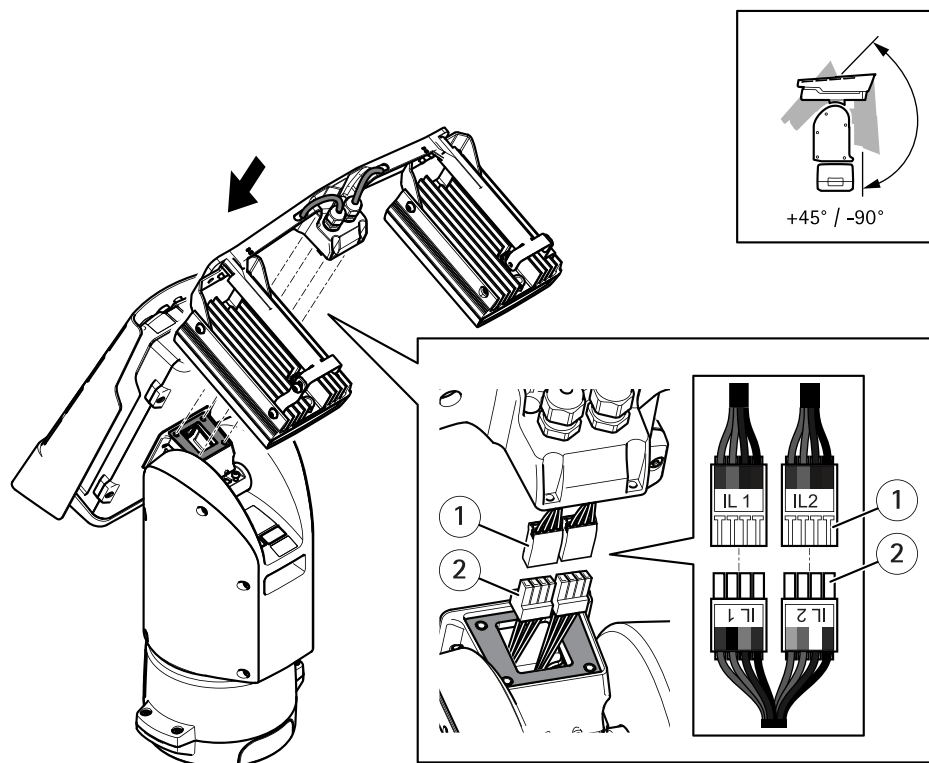
FR



1 Connecteur d'illuminateur (x2)

5. Installez les connecteurs. Cf. *Connecteurs à la page 31.*

AXIS PT IR Illuminator Kit C



- 1 Connecteur de l'illuminateur (x2)
- 2 Connecteur de l'unité de positionnement (x2)

6. Branchez les câbles. Consultez *Connecteurs* à la page 31.
7. Fixez le support de l'illuminateur à l'unité de positionnement à l'aide des quatre vis (T20, couple 3 Nm).

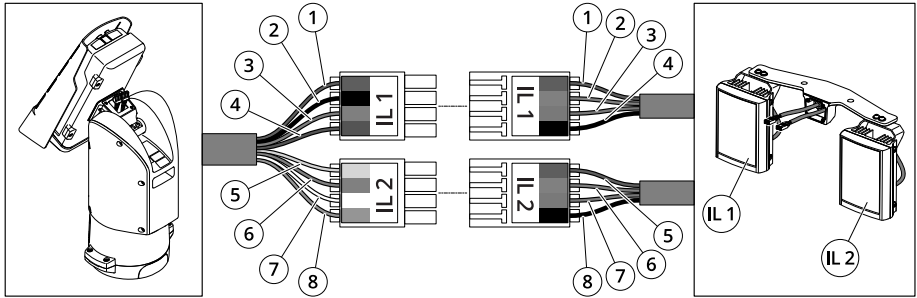
Remarque

Pour plus d'informations sur l'utilisation des illuminateurs, reportez-vous au manuel de l'illuminateur LED (vérifiez le modèle sur l'étiquette du produit) et au Manuel de l'utilisateur de votre produit Axis compatible sur www.axis.com

Specifications

Connecteurs

Connecteurs d'illuminateur



FR

	Position	Couleur du câble (unité de positionnement)	Couleur du câble (projecteurs)	Description
IL1	1	Rouge	Rouge	+24V IL
	2	noir	Orange	IL1 +VE
	3	Gris	Violet	IL1 -VE
	4	Bleu	Noir	Terre
IL2	5	Jaune	Rouge	+24 V IL
	6	Orange	Orange	IL2 +VE
	7	Blanc	Violet	IL2 -VE
	8	Vert	Noir	Terre

Conditions d'utilisation

Le produit Axis est destiné à un usage en intérieur et en extérieur.

AXIS PT IR Illuminator Kit C

Classification	Température	Humidité
IEC/EN 60529 IP66 and IP67, ISO 4892-2 méthode A, cycle 1 (3 000 h), Type 4X de NEMA 250, Vibrations : Classe 4M4 IEC 60721-3-4, Chocs : Classe 4M4 IEC 60721-3-4, Délimitations : 4M4 IEC TR 60721-4-4	Fonctionnement : de -50°C à 60°C (-58°F à 140°F) à froid : De -40°C à 60°C (-40°F à 140°F)	10 à 100 % d'humidité (sans condensation)

Consommation d'énergie

Produit	Tension d'entrée	Lumière maximale / mode de veille*
Kit d'éclairage infrarouge PT IR AXIS	12-24 V CA/CC	96 W / 0,30 W

AVIS

*les valeurs indiquées sont pour deux illuminateurs par kit.

Sicherheitsinformationen

Gefährdungsstufen

▲GEFAHR

Weist auf eine gefährliche Situation hin, welche, wenn sie nicht vermieden wird, zum Tod oder zu schweren Verletzungen führen wird.

▲WARNUNG

Weist auf eine gefährliche Situation hin, welche, wenn sie nicht vermieden wird, zum Tod oder zu schweren Verletzungen führen könnte.

▲VORSICHT

Weist auf eine gefährliche Situation hin, welche, wenn sie nicht vermieden wird, zu leichteren oder mäßig schweren Verletzungen führen könnte.

HINWEIS

Weist auf eine Situation hin, welche, wenn sie nicht vermieden wird, zu Sachschäden führen könnte.

DE

Andere Meldeebenen

Wichtig

Weist auf wichtige Informationen hin, die den richtigen Betrieb des Produkts gewährleisten.

Hinweis


Weist auf nützliche Informationen hin, die die optimale Verwendung des Produkts unterstützen.

Sicherheitsanweisungen


⚠️ WARNUNG

Das Axis Produkt muss von fachmännisch geschultem Personal und unter Einhaltung der örtlich geltenden Bestimmungen installiert werden.

⚠️ VORSICHT

 Von diesem Produkt geht Infrarotstrahlung aus. Diese kann zu Augenschäden führen. Augenkontakt vermeiden. Gesichts- oder Augenschutz benutzen.

⚠️ VORSICHT

 Heiße Oberfläche. Verletzungsgefahr Das Produkt während des Betriebs nicht berühren. Trennen Sie vor Wartungsarbeiten die Stromversorgung und lassen Sie die Oberflächen des Produkts abkühlen.

HINWEIS

- Das Axis Produkt muss unter Beachtung der geltenden Gesetze und Bestimmungen betrieben werden.
- Lagern Sie das Axis Produkt in einer trockenen und belüfteten Umgebung.
- Das Axis Produkt weder Stößen noch starkem Druck aussetzen.
- Installieren Sie das Produkt nicht an instabilen Masten, Halterungen, Oberflächen oder Wänden.
- Verwenden Sie bei der Installation des Axis Produkts ausschließlich passende Werkzeuge. Ein zu großer Kraftaufwand mit elektrischen Werkzeugen kann das Produkt beschädigen.
- Verwenden Sie keine chemischen, ätzenden oder aerosolhaltigen Reinigungsmittel.
- Verwenden Sie zur Reinigung des Geräts ein weiches, mit lauwarmem reinen Wasser befeuchtetes Tuch.
- Verwenden Sie zur Reinigung Ihres Geräts keine chemischen Substanzen wie Fensterreiniger oder Aceton.
- Verwenden Sie nur Zubehör, das den technischen Vorgaben Ihres Produkts entspricht. Dieses ist von Axis oder Drittanbietern erhältlich. Axis empfiehlt die mit Ihrem Produkt kompatible Stromversorgung von Axis.
- Verwenden Sie ausschließlich Ersatzteile die von Axis angeboten oder empfohlen werden.
- Versuchen Sie nicht, dieses Produkt selbsttätig zu reparieren. Wenden Sie sich bezüglich Reparatur und Wartung an den Axis Support oder Ihren Axis Händler.

Transport

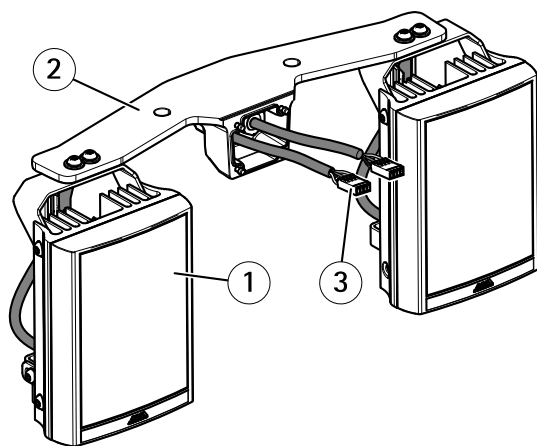
HINWEIS

- Bei Bedarf transportieren Sie das Axis Produkt in der Originalverpackung oder einer entsprechenden Verpackung, so dass Schäden vermieden werden.

Lieferumfang

- Strahler (2 x)
- Strahleranschlüsse (2 x)
- Schrauben (M6, 4 x)
- Kabelbinder (4 x)

Übersicht über die Hardware



- 1 Strahler (2 x)
- 2 Strahlerhalterung
- 3 Strahleranschlüsse (2 x)

Installieren des Produkts

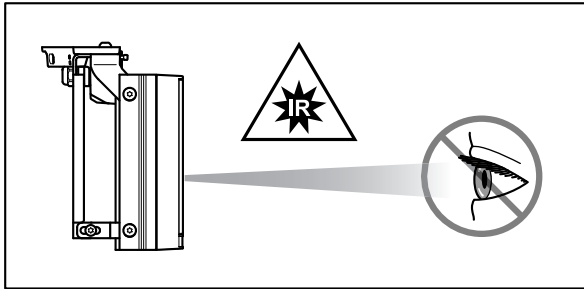
⚠️ WARNUNG

Stromschlaggefahr. Stellen Sie sicher, dass das Gerät von der Stromversorgung getrennt ist.

⚠️ VORSICHT

⚠️ Dieses Produkt erzeugt IR-Strahlung. Diese kann zu Augenschäden führen. Augenkontakt vermeiden. Gesichts- oder Augenschutz benutzen.

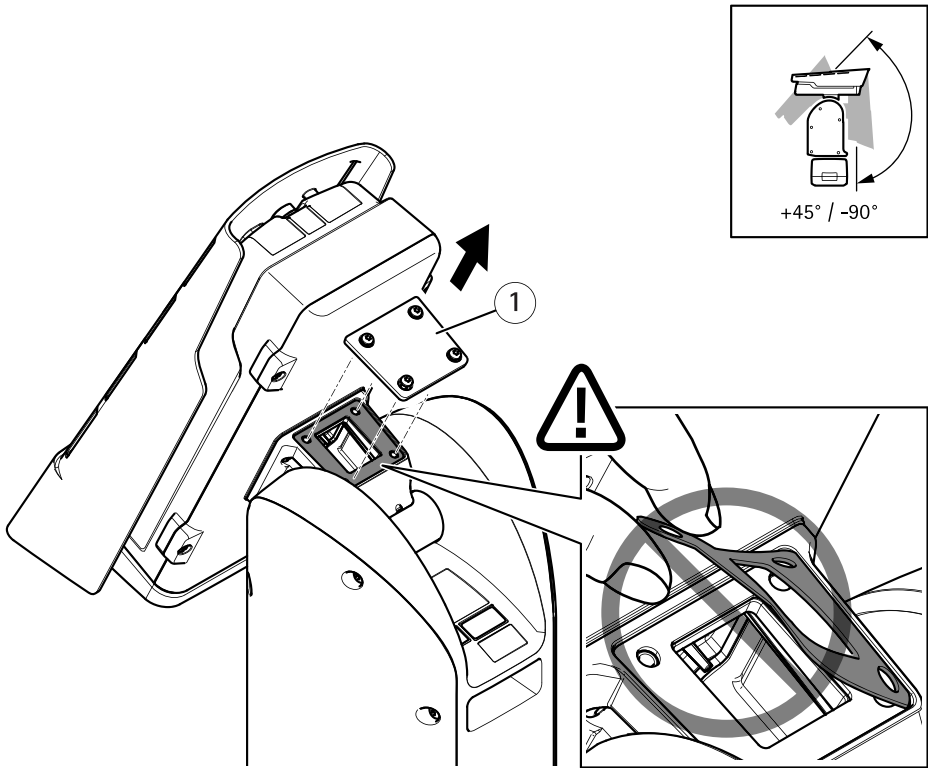
DE



⚠️ VORSICHT

Der Strahler kann bei Normalbetrieb außen sehr heiß werden. Berühren Sie die Leuchten nicht. Platzieren Sie das Gerät so, dass kein Zugang für nicht autorisierte Personen besteht. Vor dem Berühren der Strahler diese ausschalten und mindestens 10 Minuten abkühlen lassen.

AXIS PT IR Illuminator Kit C

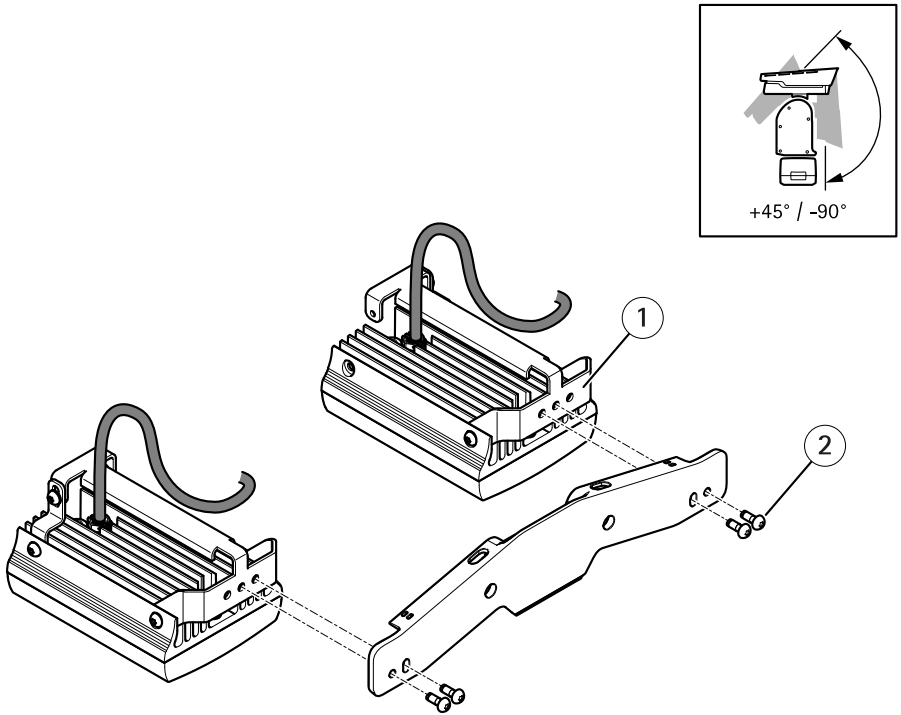


1 Abdeckung

1. Die vier Schrauben (T20) der Abdeckung lösen und die Abdeckung abnehmen.

Wichtig

Sicherstellen, dass die Dichtung unter der Abdeckung in Einbaulage verbleibt.

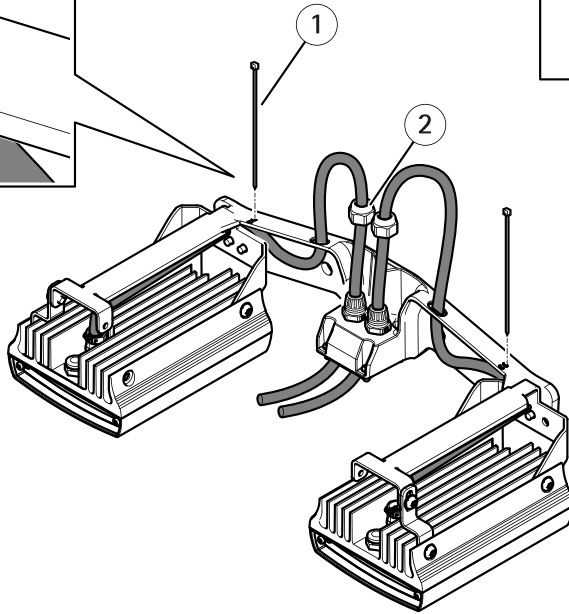
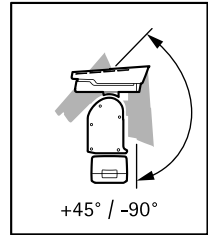
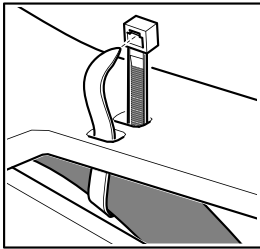


DE

- 1 Strahler (2 St.)
- 2 Schrauben (M6, 4 St.)

2. Die Strahler mit den vier Schrauben an den Halterungen befestigen.

AXIS PT IR Illuminator Kit C



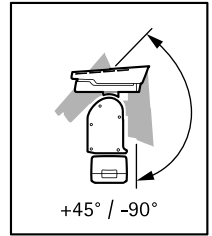
- 1 Kabelbinder (4 x)
- 2 Hutmuttern (2 x)

3. Die Kabel laut der Abbildung oben verlegen. Dann die Hutmuttern mit einem Drehmoment von 1,5 Nm anziehen.

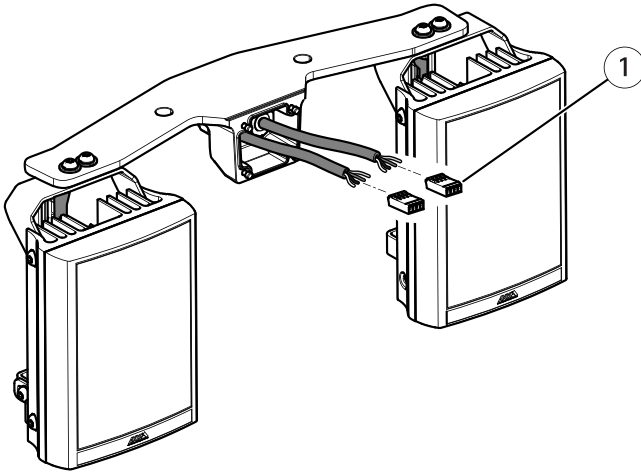
Wichtig

Sicherstellen, dass die Gummidichtungen beim Festziehen der Hutmuttern an ihrem Platz bleiben, um Wasserschäden zu vermeiden.

4. Die Strahlerkabel mithilfe von Kabelbindern an der Halterung befestigen.



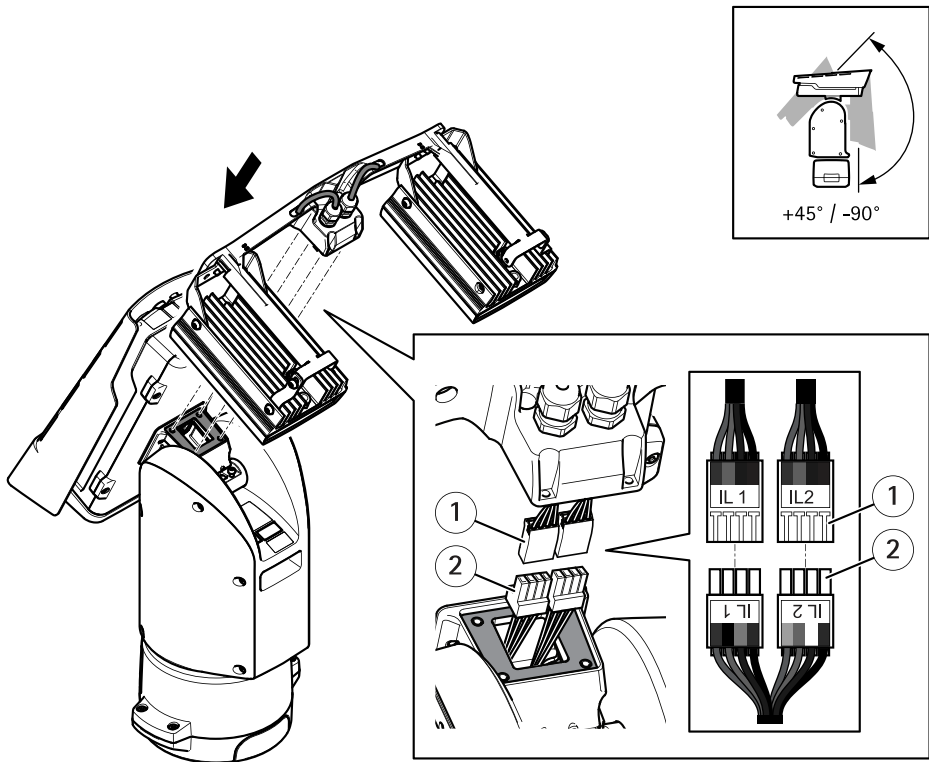
DE



1 Strahleranschlüsse (2 x)

5. Die Anschlüsse anbringen. Siehe *Anschlüsse auf Seite 43*.

AXIS PT IR Illuminator Kit C



- 1 Anschlüsse vom Strahler (2 x)
- 2 Anschlüsse von der Stelleinheit (2 x)

6. Die Kabel anschließen. Siehe *Anschlüsse auf Seite 43*.
7. Die Strahlerhalterung mit den vier Schrauben (T20, Drehmoment 3,0 Nm) an der Positionierungseinheit befestigen.

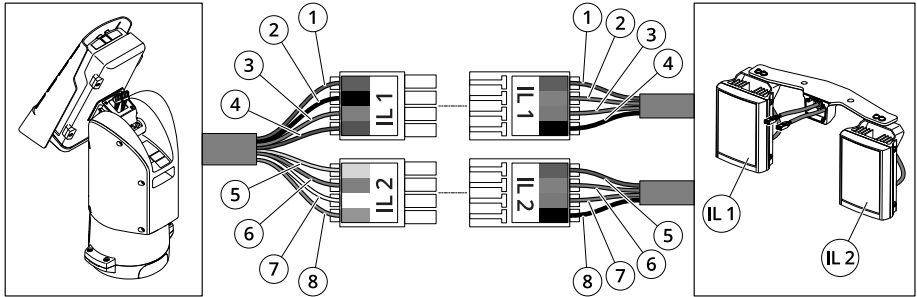
Hinweis

Für weitere Informationen zum Betreiben der Strahler, siehe das Handbuch LED-Strahler (Modellangabe auf dem Typenschild beachten) und das Benutzerhandbuch Ihres kompatiblen Axis Produkts auf www.axis.com

Technische Daten

Anschlüsse

Strahleranschlüsse



DE

	Position	Kabelfarbe (Stelleinheit)	Kabelfarbe (Strahler)	Beschreibung
IL 1	1	Rot	Rot	+24 V IL
	2	Schwarz	Orange	IL 1 +VE
	3	Grau	Violett	IL 1 -VE
	4	Blau	Schwarz	GND
IL 2	5	Gelb	Rot	+24 V IL
	6	Orange	Orange	IL 2 +VE
	7	Weiß	Violett	IL 2 -VE
	8	Grün	Schwarz	GND

Betriebsbedingungen

Das Axis-Produkt ist für die Verwendung im Innen- und Außenbereich ausgelegt.

AXIS PT IR Illuminator Kit C

Klassifizierung	Temperatur	Luftfeuchtigkeit
IEC/EN 60529 IP66 und IP67, ISO 4892-2 Verfahren A, Zyklus 1 (3000 Stunden), Typ 4X von NEMA 250, Vibration: Klasse 4M4 IEC 60721-3-4, Stoß: Klasse 4M4 IEC 60721-3-4, Abgrenzungen: 4M4 IEC TR 60721-4-4	Betrieb: -50 °C bis +60 °C Kaltstart: -40 °C bis +60 °C	Relative Luftfeuchtigkeit 10 bis 100 % (nicht kondensierend)

Leistungsaufnahme

Produkt	Eingangsspannung	Maximales Licht / Standby-Modus*
Strahlersatz C AXIS PT IR	12 bis 24 V Wechselstrom/ Gleichstrom	96 W / 0,30 W

HINWEIS

* Werte für zwei Strahler pro Satz

Informazioni di sicurezza

Livelli di pericolo

▲PERICOLO

Indica una situazione pericolosa che, se non evitata, provoca morte o lesioni gravi.

▲AVVISO

Indica una situazione pericolosa che, se non evitata, potrebbe provocare la morte o lesioni gravi.

▲ATTENZIONE

Indica una situazione pericolosa che, se non evitata, potrebbe provocare lesioni medie o minori.

AVVISO

Indica una situazione che, se non evitata, potrebbe danneggiare la proprietà.

IT

Altri livelli di messaggio

Importante

Indica informazioni importanti, essenziali per il corretto funzionamento del dispositivo.

Nota

Indica informazioni utili che aiutano a ottenere il massimo dal dispositivo.


AXIS PT IR Illuminator Kit C

Istruzioni per la sicurezza


AVVISO

Il dispositivo Axis deve essere installato da un professionista qualificato, in conformità alle leggi e alle disposizioni locali.

ATTENZIONE

 Questo dispositivo emette raggi a infrarossi. Potrebbe essere dannoso per gli occhi. Evita che gli occhi vi siano esposti. Utilizza una schermatura o una protezione per gli occhi.

ATTENZIONE

 Superficie calda. Rischio di lesioni. Non toccare il dispositivo durante il funzionamento. Scollegare dall'alimentazione e lasciar raffreddare le superfici prima di eseguire la manutenzione sul dispositivo.

AVVISO

- Il dispositivo Axis deve essere utilizzato in conformità alle leggi e alle normative locali.
- Conservare il dispositivo Axis in un ambiente asciutto e ventilato.
- Evitare di esporre il dispositivo Axis a urti o pressioni eccessive.
- Non installare il dispositivo su supporti, superfici, pareti o pali instabili.
- Utilizzare solo strumenti applicabili quando si installa il prodotto Axis. Se si utilizza una forza eccessiva con strumenti non adatti è possibile causare danni al dispositivo.
- Non utilizzare sostanze chimiche, agenti caustici o detergenti aerosol.
- Usare un panno morbido inumidito con acqua pura tiepida per pulire il dispositivo.
- Non utilizzare sostanze chimiche come detergenti per vetri o acetone per pulire il dispositivo.
- Utilizzare solo accessori compatibili con le specifiche tecniche del dispositivo. Questi possono essere forniti da Axis o da terze parti. Axis consiglia l'uso dell'apparecchiatura di alimentazione Axis compatibile con il dispositivo.
- Utilizzare solo parti di ricambio fornite o consigliate da Axis.
- Non tentare di riparare il dispositivo da soli. Contattare l'assistenza o il rivenditore Axis per questioni relative alla manutenzione.

Trasporto

AVVISO

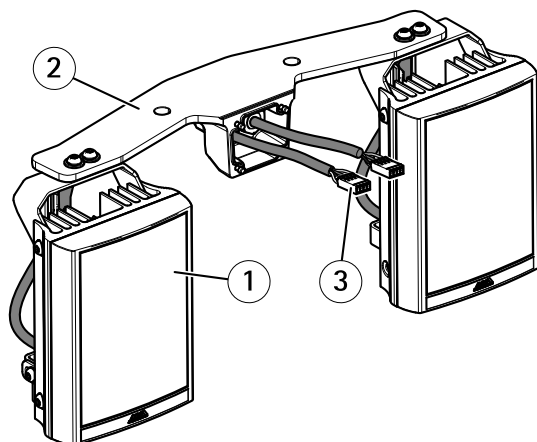
- Durante il trasporto del dispositivo Axis, utilizzare l'imballaggio originale o equivalente per evitare danni al dispositivo.

Contenuto della confezione

- Illuminatore (x2)
- Connettore illuminatore (x2)
- Vite (M6, x4)
- Fascetta (x2)

AXIS PT IR Illuminator Kit C

Panoramica dell'hardware



- 1 *Illuminatore (x2)*
- 2 *Staffa illuminatore*
- 3 *Connettore illuminatore (x2)*

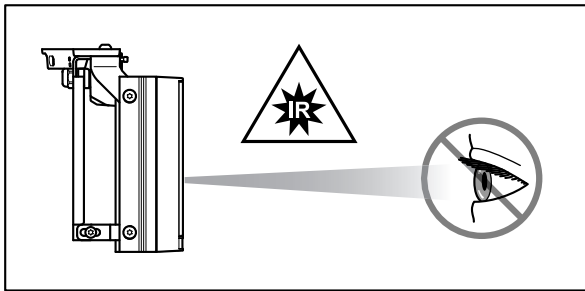
Come installare il dispositivo

⚠AVVISO

Rischio di scosse elettriche. Assicurarsi che l'alimentazione sia scollegata.

⚠ATTENZIONE

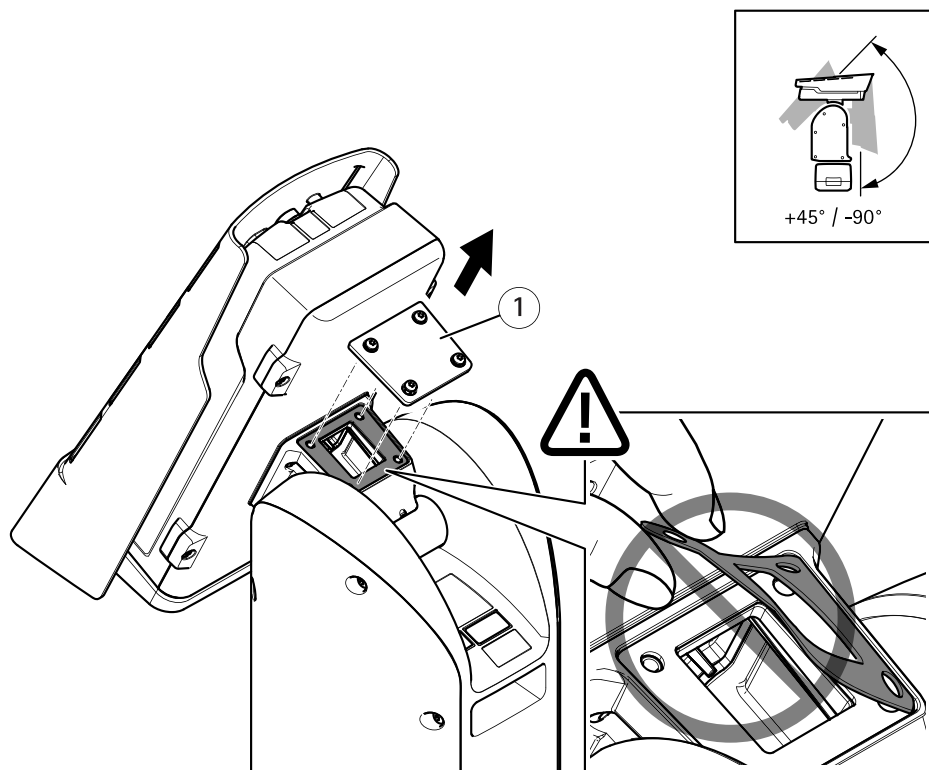
⚠ Questo dispositivo emette infrarossi. Potrebbe essere dannoso per gli occhi. Evita che gli occhi vi siano esposti. Utilizza una schermatura o una protezione per gli occhi.



⚠ATTENZIONE

Durante il normale funzionamento, la superficie dell'illuminatore può raggiungere temperature elevate. Evitare il contatto diretto e posizionare l'apparecchio in un luogo inaccessibile a persone non autorizzate. Prima di toccarlo, spegnere l'illuminatore e lasciarlo raffreddare per almeno 10 minuti.

AXIS PT IR Illuminator Kit C

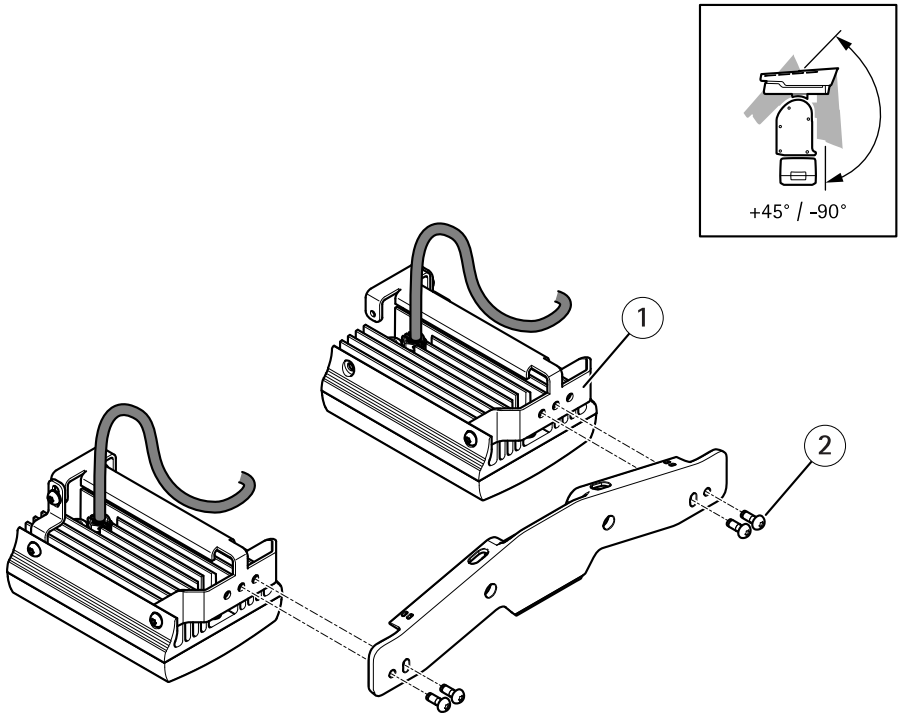


1 Coperchio

1. Rimuovere le quattro viti della copertura (T20) e rimuoverla.

Importante

Assicurarsi che la guarnizione sotto il coperchio rimanga in posizione.

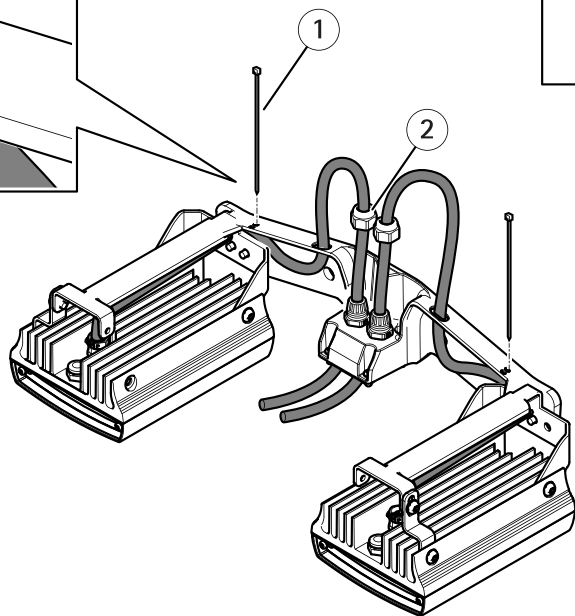
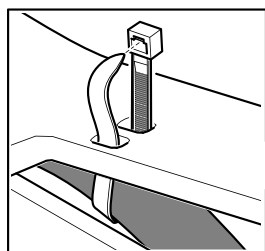


IT

- 1 Illuminatore (x2)
- 2 Vite (M6, x4)

2. Fissare gli illuminatori alla staffa dell'illuminatore utilizzando le quattro viti.

AXIS PT IR Illuminator Kit C



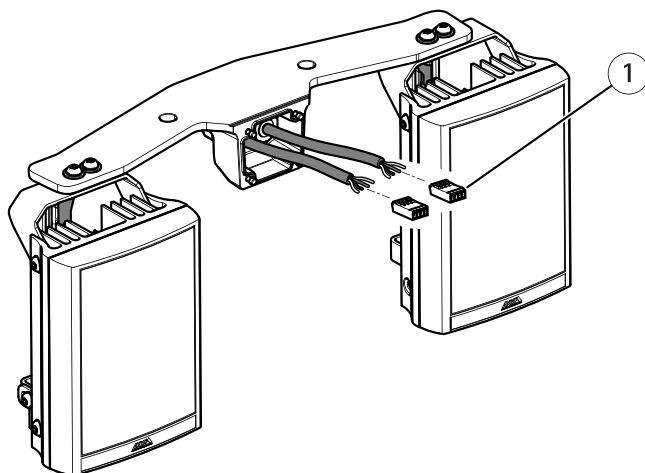
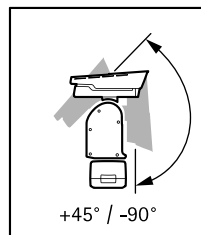
- 1 Fascetta (x2)
- 2 Dado (x2)

3. Instradare i cavi come mostrato nell'illustrazione sopra riportata e stringere i dadi (coppia da 1,5 Nm).

Importante

Per evitare danni causati dall'acqua quando si serrano i dadi, assicurarsi che le guarnizioni in gomma rimangano in posizione.

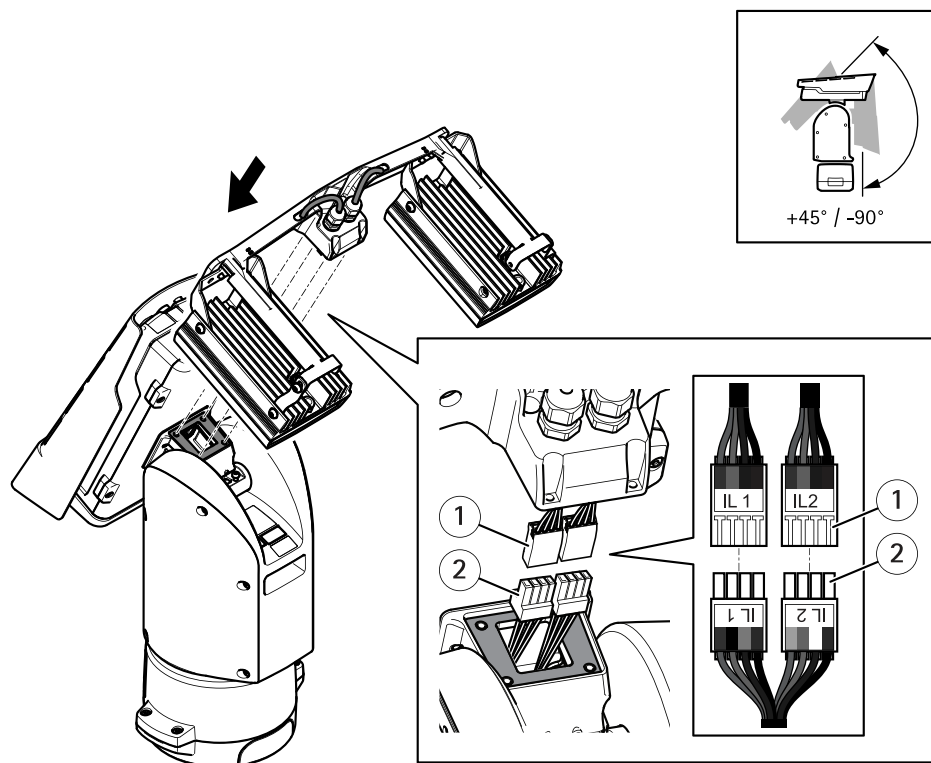
4. Fissare i cavi alla staffa dell'illuminatore utilizzando gli appositi tiranti.



1 Connettore illuminatore (x2)

5. Installare i connettori. Vedere *Connettori* a pagina 55.

AXIS PT IR Illuminator Kit C



- 1 Connettore dall'illuminatore (x2)
- 2 Connettore dall'unità di posizionamento (x2)

6. Collegare i cavi. Vedere *Connettori a pagina 55*.
7. Fissare la staffa degli illuminatori all'unità di posizionamento utilizzando le quattro viti (T20, coppia da 3,0 Nm).

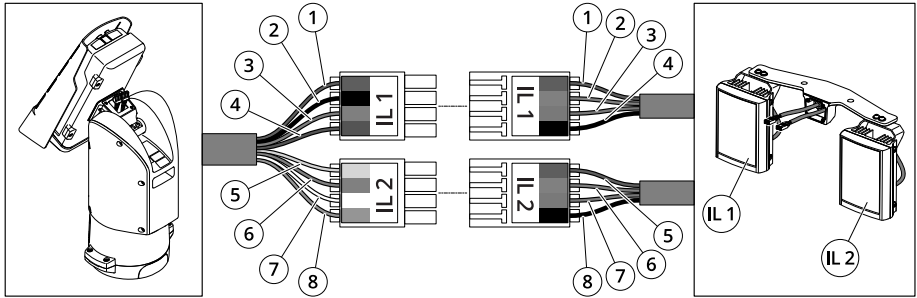
Nota

Per ulteriori informazioni sul funzionamento degli illuminatori, consultare il manuale del LED dell'illuminatore (controllare il modello sull'etichetta del dispositivo) e il Manuale per l'utente del dispositivo Axis compatibile all'indirizzo www.axis.com

Specifiche

Connettori

Connettori illuminatore



IT

	Posizione	Colore del cavo (unità di posizionamento)	Colore del cavo (illuminatori)	Descrizione
IL1	1	Rosso	Rosso	+24V IL
	2	Nero	Arancio	IL1 +VE
	3	Grigio	Viola	IL1 -VE
	4	Blu	Nero	Con messa a terra
IL2	5	Giallo	Rosso	+24V IL
	6	Arancio	Arancio	IL2 +VE
	7	Bianco	Viola	IL2 -VE
	8	Verde	Nero	Con messa a terra

Condizioni di funzionamento

Il dispositivo Axis è destinato all'uso interno ed esterno.

AXIS PT IR Illuminator Kit C

Classificazione	Temperatura	Umidità
IEC/EN 60529 IP66 e IP67, ISO 4892-2 metodo A, ciclo 1 (3000 ore), Tipo 4X di NEMA 250, Vibrazione: Classe 4M4 IEC 60721-3-4, Urti: Classe 4M4 IEC 60721-3-4, Delimitazioni: 4M4 IEC TR 60721-4-4	Funzionamento: da -50 °C a 60 °C (da -58 °F a 140 °F) a freddo: da -40 °C a 60 °C (da -40 °F a 140 °F)	10-100% umidità relativa (senza condensa)

Consumo elettrico

Dispositivo	Tensione in ingresso	Luce massima/Modalità in standby*
AXIS PT IR Illuminator Kit C	12-24 V CA/CC	96 W/0,30 W

AWISO

*I valori forniti sono per due illuminatori per kit.

Información de seguridad

Niveles de peligro

▲PELIGRO

Indica una situación peligrosa que, si no se evita, provocará lesiones graves o la muerte.

▲ADVERTENCIA

Indica una situación peligrosa que, si no se evita, puede provocar lesiones graves o la muerte.

▲PRECAUCIÓN

Indica una situación peligrosa que, si no se evita, puede provocar lesiones moderadas o leves.

AVISO

Indica una situación peligrosa que, si no se evita, puede provocar daños materiales.

ES

Otros niveles de mensaje

Importante

Indica información importante que es fundamental para que el producto funcione correctamente.

Nota


Indica información útil que ayuda a aprovechar el producto al máximo.

Instrucciones de seguridad


▲ADVERTENCIA

El producto de Axis debe instalarlo un profesional formado conforme a las leyes y normativas locales.

▲PRECAUCIÓN

 Este producto emite infrarrojos. Puede dañar los ojos. Evite la exposición prolongada de los ojos. Utilice protectores o dispositivos de protección para los ojos.

▲PRECAUCIÓN

 Superficie caliente. Riesgo de lesiones. No toque el producto cuando esté funcionando. Desconecte la fuente de alimentación y deje que se enfrien las superficies antes de realizar trabajos de mantenimiento en el producto.

AVISO

- Este producto de Axis debe utilizarse de acuerdo con las leyes y normativas locales.
- Almacene el producto de Axis en un entorno seco y ventilado.
- Evite exponer el producto Axis a golpes o presiones excesivas.
- No instale el producto en postes, soportes, superficies o paredes inestables.
- Use solo las herramientas adecuadas al instalar el producto Axis. La aplicación de una fuerza excesiva con herramientas eléctricas puede provocar daños en el producto.
- No utilice productos químicos, agentes cáusticos ni limpiadores en aerosol.
- Utilice un paño suave humedecido con agua pura y tibia para limpiar el dispositivo.
- No utilice productos químicos como un limpiacristales o acetona para limpiar el dispositivo.
- Utilice solo accesorios que cumplan con las especificaciones técnicas de su producto. Puede obtenerlos de Axis o de un tercero. Axis recomienda utilizar un equipo de suministro de alimentación de Axis compatible con su producto.
- Utilice solo piezas de recambio suministradas o recomendadas por Axis.
- No intente reparar el producto usted mismo. Contacte con el servicio de asistencia de Axis o a su distribuidor de Axis para cualquier tema relacionado con el mantenimiento.

Transporte

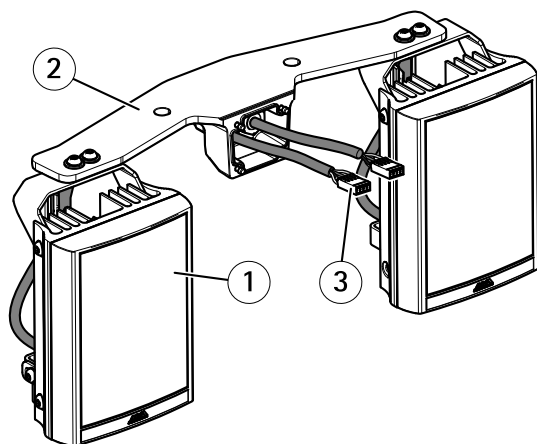
AVISO

- Cuando transporte el producto de Axis, utilice el embalaje original o un equivalente para evitar daños en el producto.

Contenido del paquete

- Iluminadores (2)
- Conectores del iluminador (2)
- Tornillos (M6, 4)
- Abrazaderas de cable (2)

Información general del hardware



- 1 Iluminadores (2)
- 2 Soporte del iluminador
- 3 Conectores del iluminador (2)

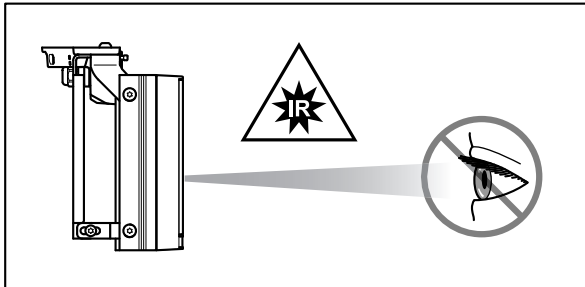
Cómo instalar el producto

⚠ADVERTENCIA

Riesgo de descarga eléctrica. Asegúrese de que la fuente de alimentación esté desconectada.

⚠PRECAUCIÓN

⚠ Este producto emite infrarrojos. Puede dañar los ojos. Evite la exposición prolongada de los ojos. Utilice protectores o dispositivos de protección para los ojos.

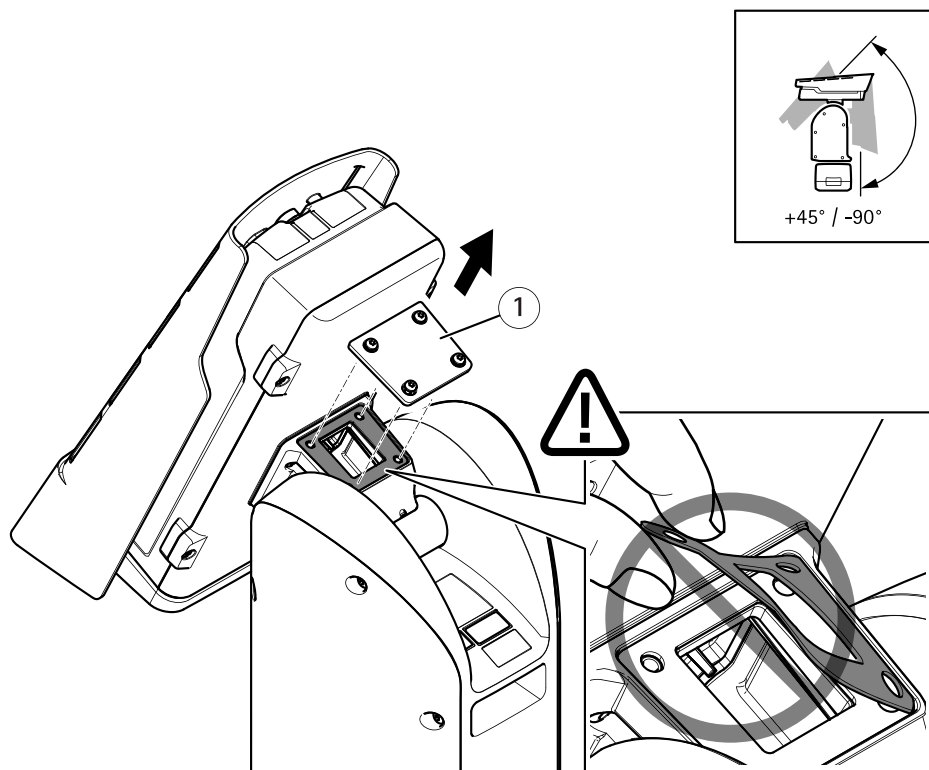


ES

⚠PRECAUCIÓN

La superficie del iluminador puede calentarse mucho durante el funcionamiento normal. Evite el contacto directo y coloque el aparato en un lugar inaccesible para el personal no autorizado. Antes de tocar el iluminador, desconéctelo y deje que se enfríe durante al menos 10 minutos.

AXIS PT IR Illuminator Kit C

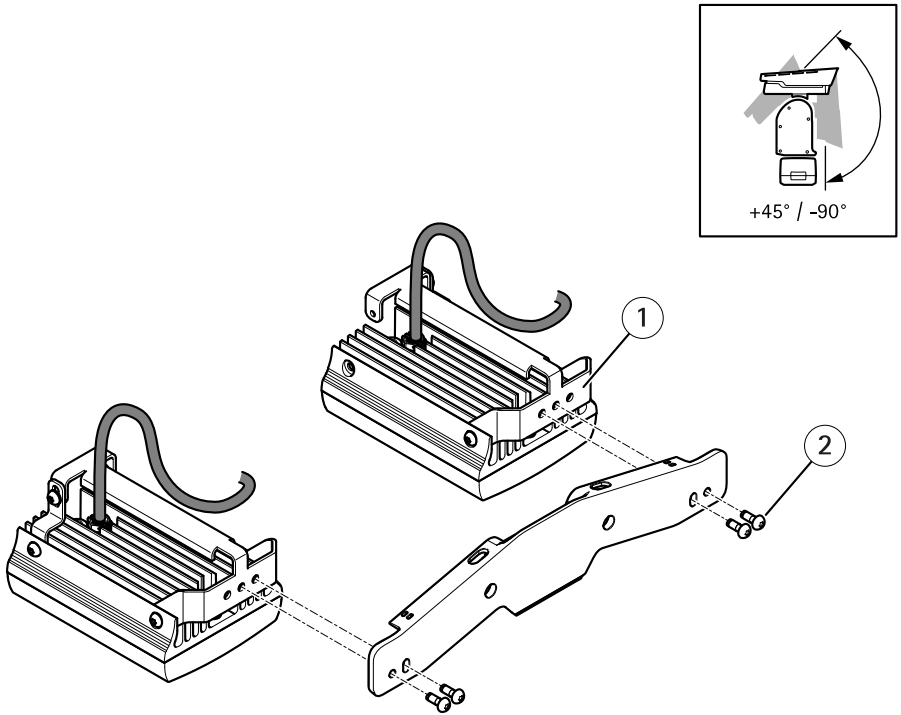


1 Cubierta

1. Extraiga los cuatro tornillos de la cubierta (T20) y retírela.

Importante

Asegúrese de que la junta de debajo de la cubierta permanece en su posición.

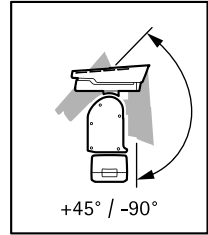
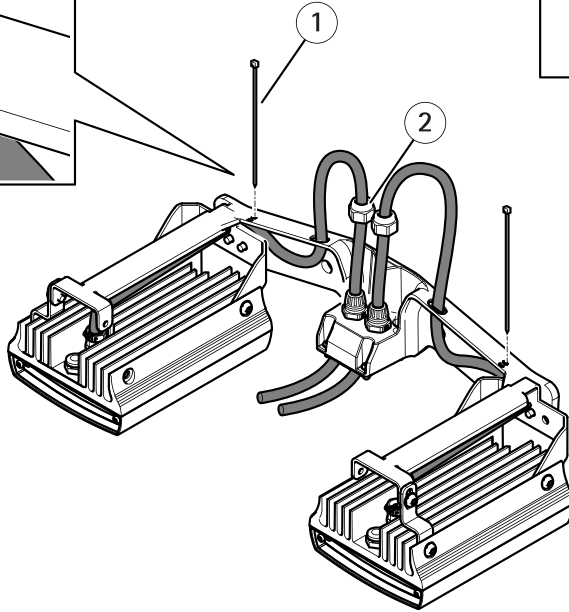
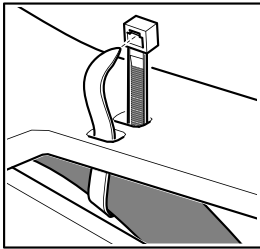


ES

- 1 Iluminador (2)
- 2 Tornillo (M6) (4)

2. Acople los iluminadores al soporte de montaje mediante los cuatro tornillos.

AXIS PT IR Illuminator Kit C



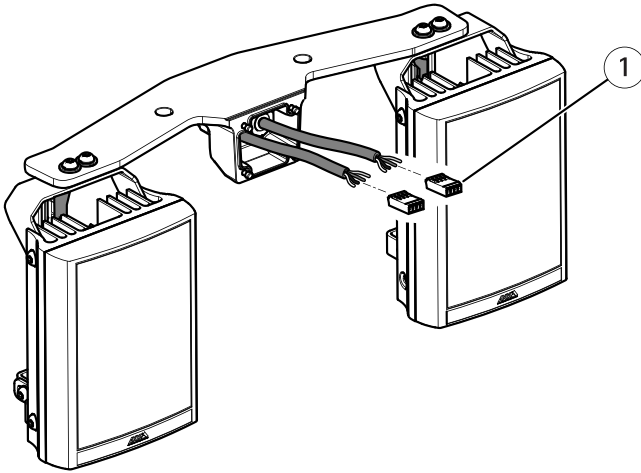
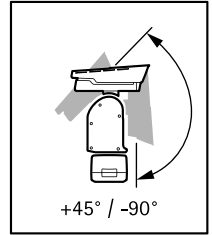
- 1 *Abrazaderas de cable (2)*
- 2 *Tuerca de presión (2)*

3. Haga pasar los cables como se muestra en la ilustración superior y apriete las tuercas de presión (par 1,5 Nm).

Importante

Para evitar daños por agua al apretar las tuercas de presión, asegúrese de que las juntas de goma permanecen en su sitio.

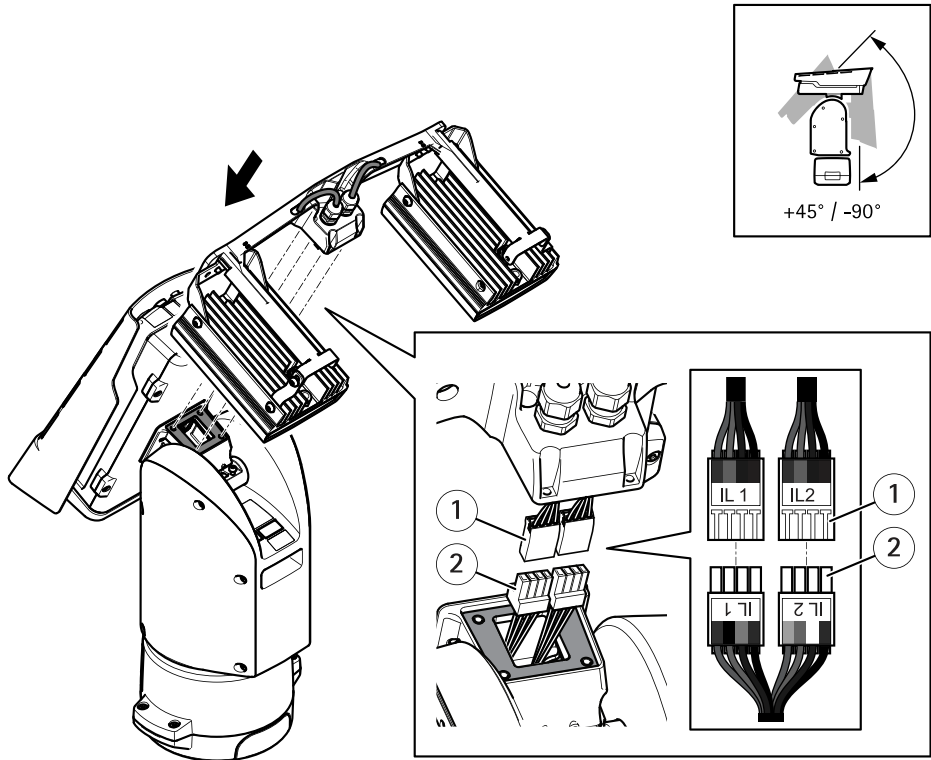
4. Fije los cables al soporte del iluminador con las abrazaderas para cables.



1 Conectores del iluminador (2)

5. Instale los conectores. Consulte *Conectores en la página 67.*

AXIS PT IR Illuminator Kit C



- 1 Conectores desde el iluminador (2)
- 2 Conector desde la unidad de posición (2)

- 6. Conecte los cables. Consulte *Conectores en la página 67*.
- 7. Fije el soporte del iluminador a la unidad de posicionamiento con los cuatro tornillos (T20, par 3,0 Nm).

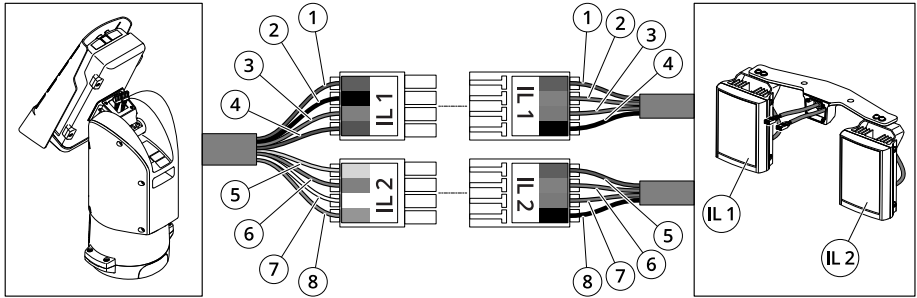
Nota

Para obtener más información sobre el funcionamiento de los iluminadores, consulte el manual del iluminador LED (compruebe el modelo en la etiqueta del producto) y el manual del usuario de su producto de Axis compatible en www.axis.com.

Especificaciones

Conectores

Conectores del iluminador



ES

	Posición	Color del cable (unidad de posicionamiento)	Color del cable (iluminadores)	Descripción
IL1	1	Rojo	Rojo	+24 V IL
	2	Negro	Ámbar	IL1 +VE
	3	Gris	Morado	IL1 -VE
	4	Azul	Negro	GND
IL2	5	Amarillo	Rojo	+24 V IL
	6	Ámbar	Ámbar	IL2 +VE
	7	Blanco	Morado	IL2 -VE
	8	Verde	Negro	GND

Condiciones de funcionamiento

El producto de Axis se ha creado para su uso en interiores y exteriores.

AXIS PT IR Illuminator Kit C

Clasificación	Temperatura	Humedad
IEC/EN 60529 IP66 e IP67, ISO 4892-2 método A, ciclo 1 (3000 hrs), Tipo 4X de NEMA 250, Vibración: Clase 4M4 IEC 60721-3-4, Golpes: Clase 4M4 IEC 60721-3-4, Delimitaciones: 4M4 IEC TR 60721-4-4	Funcionamiento: De -50 °C a 60 °C Conmutador de arranque en frío: De -40 °C a 60 °C	Humedad relativa 10–100 % (sin condensación)

Consumo de energía

Producto	Tensión de entrada	Máxima luz/modo de reposo*
AXIS PT IR Illuminator Kit C	12–24 V CA/CC	96 W / 0,30 W

AVISO

*Los valores proporcionados son para dos iluminadores por kit.

安全情報

危険レベル

▲危険

回避しない場合、死亡または重傷につながる危険な状態を示します。

▲警告

回避しない場合、死亡または重傷につながるおそれのある危険な状態を示します。

▲注意

回避しない場合、軽傷または中程度の怪我につながるおそれのある危険な状態を示します。

注意

回避しない場合、器物の破損につながるおそれのある状態を示します。

その他のメッセージレベル

重要

製品を正しく機能させるために不可欠な重要情報を示します。

注


製品を最大限に活用するために役立つ有用な情報を示します。

安全に関する指示


▲警告

本製品の設置は、お使いになる地域の法律や規制に準拠して、訓練を受けた専門技術者が行ってください。

▲注意

 本製品は赤外線を放射します。眼に有害となる可能性があります。目に直接入らないように、シールドまたは目の保護具を使用してください。

▲注意

 表面が熱くなります。損傷の危険があります。動作中は、本製品に触れないでください。製品のメンテナンスを実行する前には電源を切り、表面が冷えるまで待ってください。

注意

- 本製品は、お使いになる地域の法律や規制に準拠して使用してください。
- 本製品は乾燥した換気のよい環境に保管してください。
- 本製品に衝撃または強い圧力を加えないでください。
- 本製品を不安定なポール、ブラケット、表面、または壁に設置しないでください。
- 本製品を設置する際には、適切な工具のみを使用してください。電動工具を使用して過剰な力をかけると、製品が損傷することがあります。
- 化学薬品、腐食剤、噴霧式クリーナーは使用しないでください。
- 装置のクリーニングには、ぬるま湯で湿らせた柔らかい布を使用してください。
- 窓ガラス用洗剤やアセトンなどの化学薬品を使用して装置をクリーニングしないでください。
- 製品の技術仕様に準拠したアクセサリのみを使用してください。これらのアクセサリは、Axisまたはサードパーティから入手できます。Axisは、ご使用の製品と互換性のあるAxis給電ネットワークスイッチの使用を推奨します。
- Axisが提供または推奨する交換部品のみを使用してください。
- 製品を自分で修理しないでください。修理については、Axisサポートまたは販売代理店にお問い合わせください。

輸送

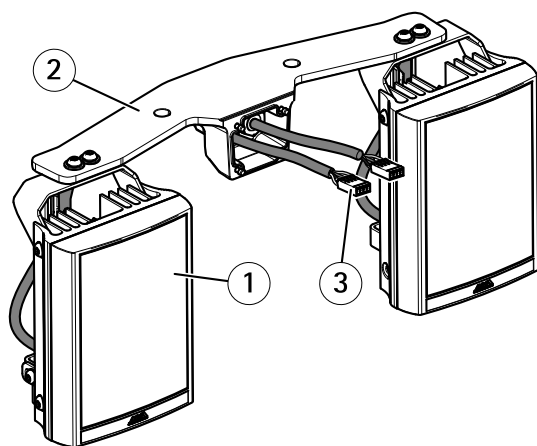
注意

- 本製品を運搬する際は、製品が損傷しないよう、元の梱包か同等の梱包を使用してください。

パッケージの内容

- イルミネーター (×2)
- イルミネーターコネクタ (×2)
- ネジ (M6、×4)
- ケーブルタイ (×2)

ハードウェアの概要



- 1 イルミネーター (×2)
- 2 イルミネーターブラケット
- 3 イルミネーターコネクタ (×2)

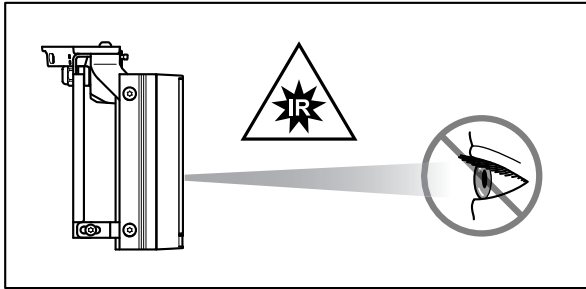
製品の取り付け方法

▲警告

感電の危険があります。電源が切断されていることを確認します。

▲注意

▲ 本製品は赤外線を放射します。眼に有害となる可能性があります。目に直接入らないように、シールドまたは目の保護具を使用してください。

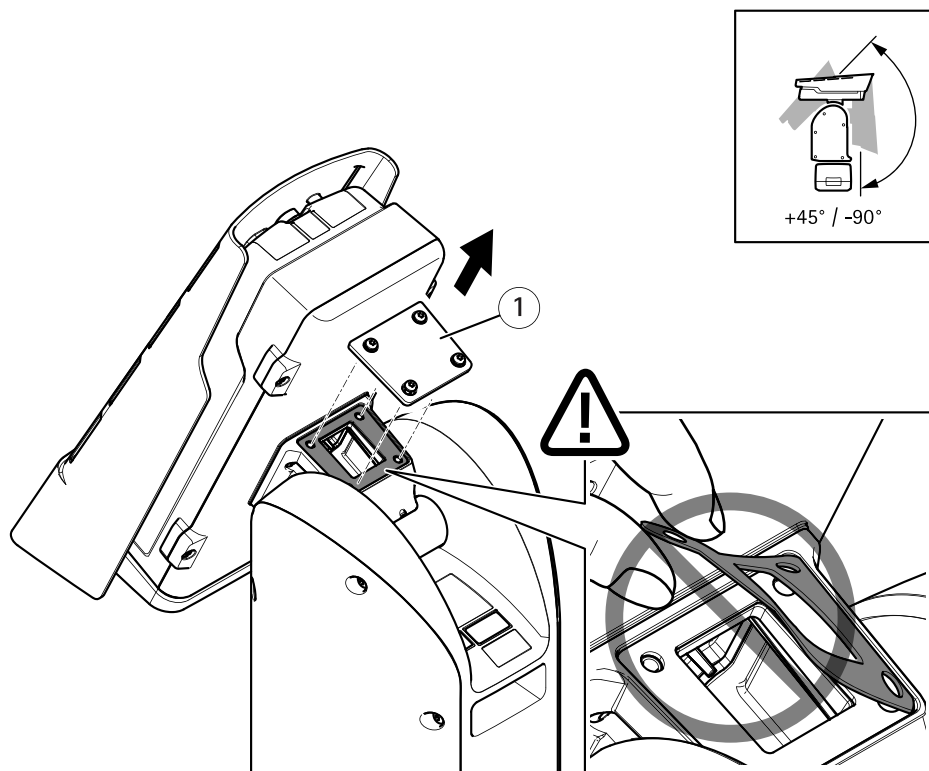


JA

▲注意

正常動作時は、イルミネーター表面が高温になることがあります。直接の接触を許可しないでください。また、権限のない担当者の手が届かない所に装置を配置してください。接触前にイルミネーターのスイッチをオフにし、最低10分間冷却してください。

AXIS PT IR Illuminator Kit C

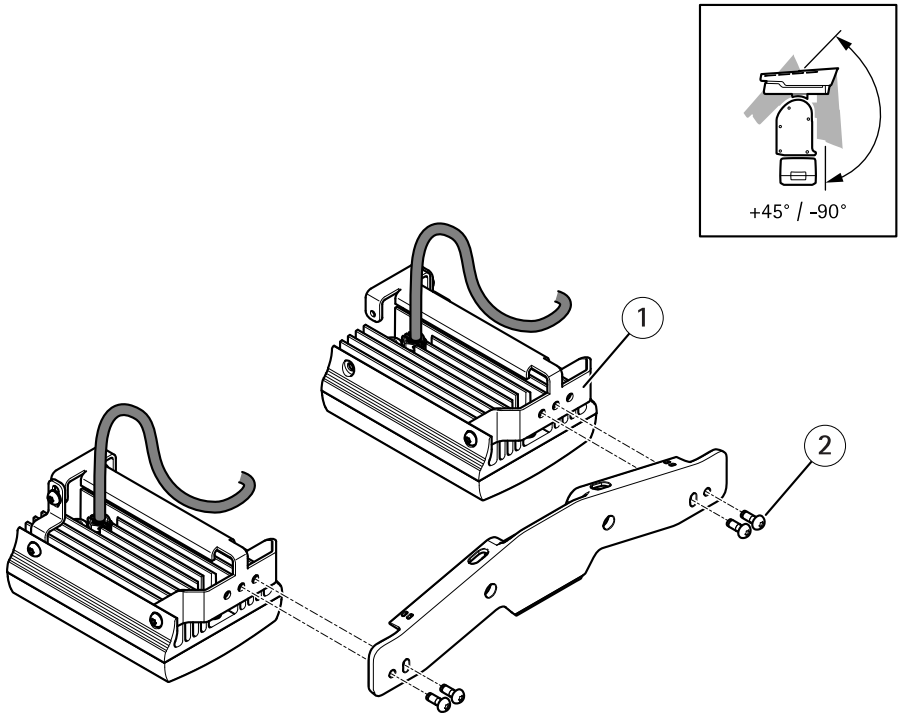


1 カバー

1. カバー用ネジ (T20) 4本を外し、カバーを取り外します。

重要

カバー底部のガスケットが固定されたままであることを確認します。

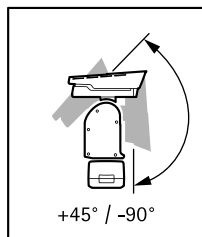
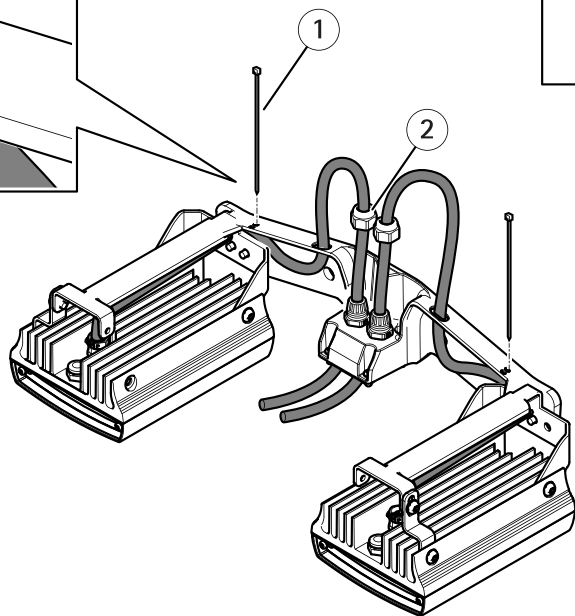
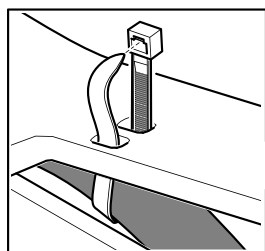


JA

- 1 イルミネーター (×2)
- 2 ネジ (M6、×4)

2. ネジ4本を使用して、イルミネーターをイルミネーターブラケットに装着します。

AXIS PT IR Illuminator Kit C



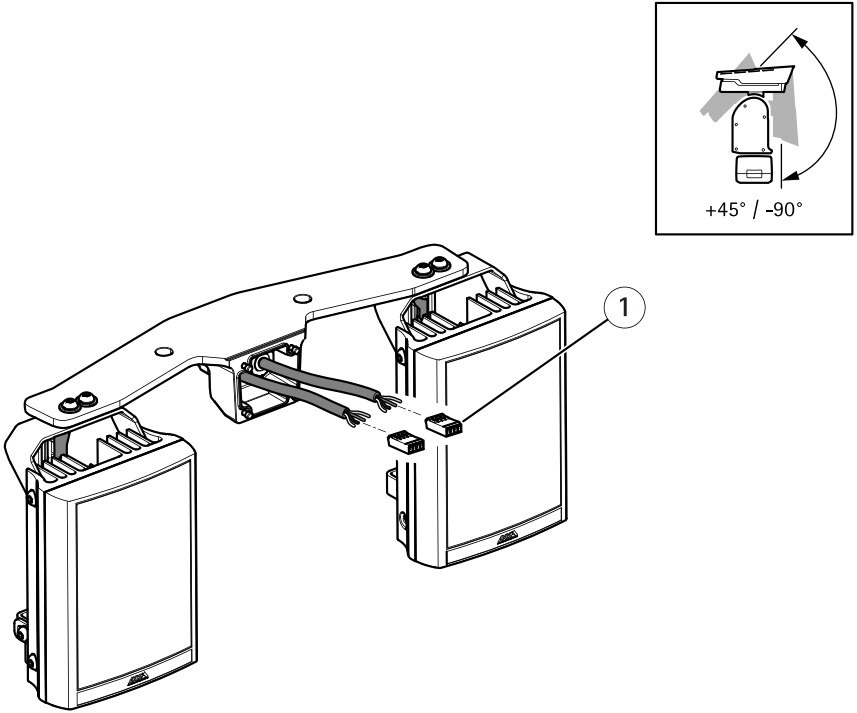
- 1 ケーブルタイ (×2)
- 2 キャップナット (×2)

3. 上図のようにケーブルを通し、キャップナットを締めます (トルク1.5 Nm)。

重要

キャップナットを締める際の水による損傷を避けるために、ゴム製ガスケットが正しく装着されたままであることを確認します。

4. ケーブルタイを使用して、ケーブルをイルミネーターブラケットに固定します。

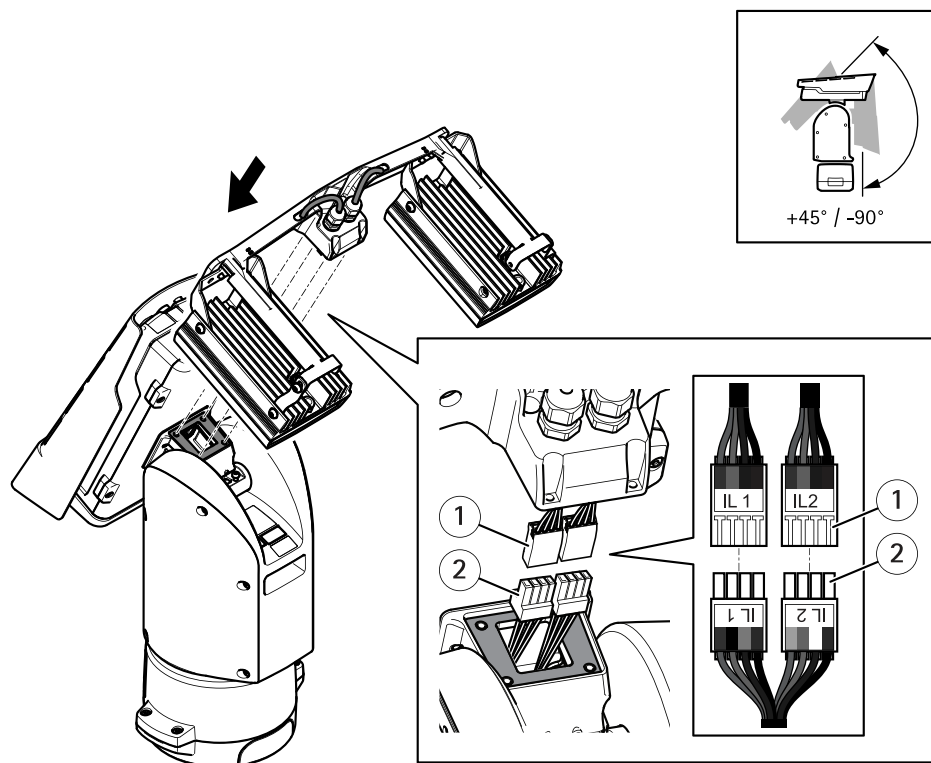


JA

1 イルミネーターコネクタ (×2)

5. コネクタを取り付けます。79ページ、コネクタを参照してください。

AXIS PT IR Illuminator Kit C



- 1 イルミネーターからのコネクタ (×2)
- 2 ポジショニングユニットからのコネクタ (×2)

6. ケーブルを接続します。79ページ、コネクタを参照してください。
7. ネジ (T20、トルク3.0 Nm) 4本を使用して、イルミネーターブラケットをポジショニングユニットに装着します。

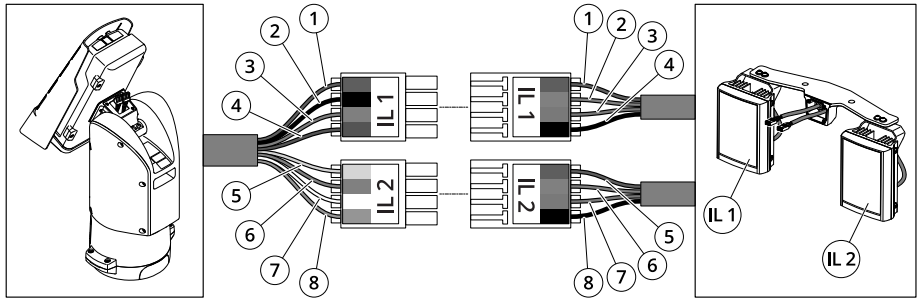
注

イルミネーターの操作の詳細については、イルミネーターLEDマニュアル (製品ラベルに記載されているモデルを確認) および www.axis.com で互換性のある Axis 製品のユーザーズマニュアルを参照してください。

仕様

コネクター

イルミネーターコネクター



JA

	位置	ケーブルの色 (ポジショニングユニット)	ケーブルの色 (イルミネーター)	説明
IL1	1	赤	赤	+24V IL
	2	黒	橙	IL1 +VE
	3	灰	紫	IL1 -VE
	4	青	黒	GND
IL2	5	黄	赤	+24V IL
	6	橙	橙	IL2 +VE
	7	白	紫	IL2 -VE
	8	緑	黒	GND

動作条件

本製品は屋内および屋外対応モデルです。

AXIS PT IR Illuminator Kit C

等級	温度	湿度
IEC/EN 60529 IP66およびIP67、 ISO 4892-2 method A、cycle 1 (3000時間)、 NEMA 250のType 4X、 振動:Class 4M4 IEC 60721-3-4、 衝撃:Class 4M4 IEC 60721-3-4、 限界:4M4 IEC TR 60721-4-4	動作:-50 °C ~ 60 °C コールドスター ト:-40 °C ~ 60 °C	10~100% RH (結露不可)

消費電力

製品	入力電圧	最大光度 / スタンバイモード*
AXIS PT IR Illuminator Kit C	12~24V AC/DC	96 W / 0.30 W

注意

*指定する値は、1キットあたり2つのイルミネーターです。

安全信息

危险等级

▲危险

表示如果不避免则会导致死亡或严重伤害的危险情况。

▲警告

表示如果不避免则可能导致死亡或严重伤害的危险情况。

▲警示

表示如果不避免则可能导致轻微或中度伤害的危险情况。

注意

表示如果不避免则可能导致财产损失的情况。

其他消息等级

重要

表示产品正常工作所必需的重要信息。

注意


表示有助于充分利用产品的有用信息。

安全说明


警告

安讯士产品应由受过培训的专业人员进行安装，并遵守当地法律和法规。

警示

 本产品会发出红外线。可能伤害眼睛。避免目视。使用防护或目视保护。

警示

 表面灼热。受伤风险。请勿在产品运作期间触摸该产品。执行产品维护时，请断开电源并让表面冷却。

注意

- 使用安讯士产品时应遵守当地法律和法规。
- 在干燥通风的环境中存放安讯士产品。
- 避免将安讯士产品暴露在冲击或重压下。
- 请勿将本产品安装在不稳定的立杆、支架、表面或墙壁上。
- 安装安讯士产品时，仅使用适用的工具。使用电动工具过度施力可能导致产品损坏。
- 请勿使用化学品、腐蚀剂或气雾剂。
- 使用蘸有温水的软布清洁设备。
- 请勿使用窗户清洁剂或丙酮等化学品来清洁设备。
- 仅使用符合产品技术规格的附件。这些附件可由安讯士或第三方提供。安讯士推荐使用与产品兼容的安讯士电源设备。
- 仅使用安讯士提供或推荐的备件。
- 请勿尝试自行维修产品。有关服务事项，请联系安讯士支持部门或安讯士经销商。

运输

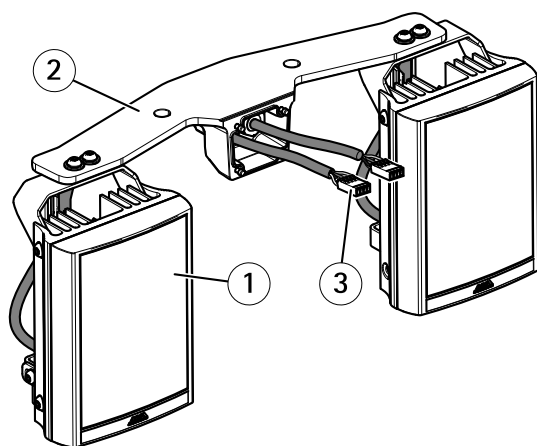
注意

- 安讯士产品运输途中，应使用其原包装或等效包装，以防对产品造成损坏。

包装内容

- 照明器 (x2)
- 照明器接口 (x2)
- 螺丝 (M6, x4)
- 束线带 (X2)

硬件概览



- 1 照明器 (x2)
- 2 照明装置托架
- 3 照明器接口 (x2)

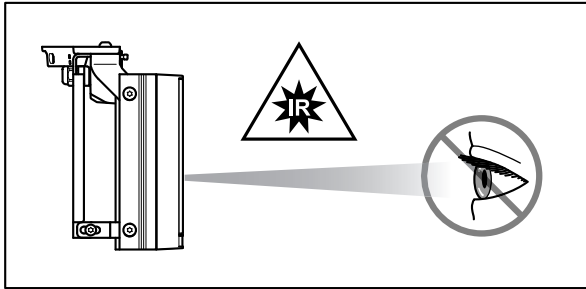
如何安装产品

⚠警告

触电危险。确保电源已断开。

⚠警示

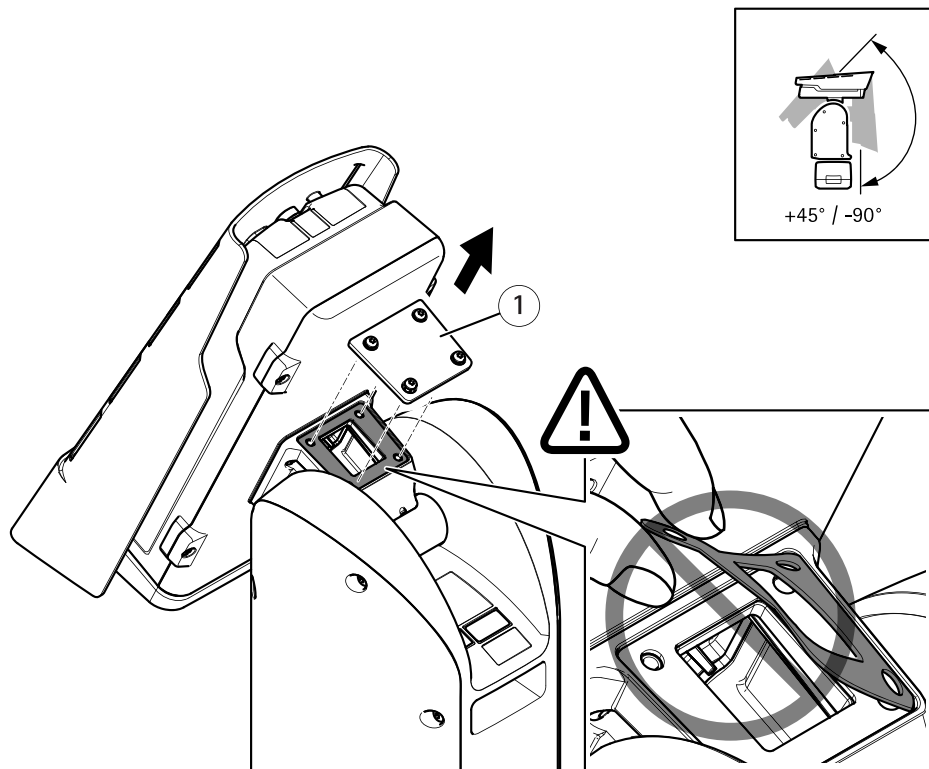
⚠本产品会发出红外线。可能伤害眼睛。避免目视。使用防护或目视保护。



⚠警示

在正常运行期间，照明器的表面可达到很高的温度。请勿直接接触，并将设备放置在未经授权的人员无法接近的地方。在触摸之前，请关闭照明器并让其至少冷却 10 分钟。

AXIS PT IR Illuminator Kit C

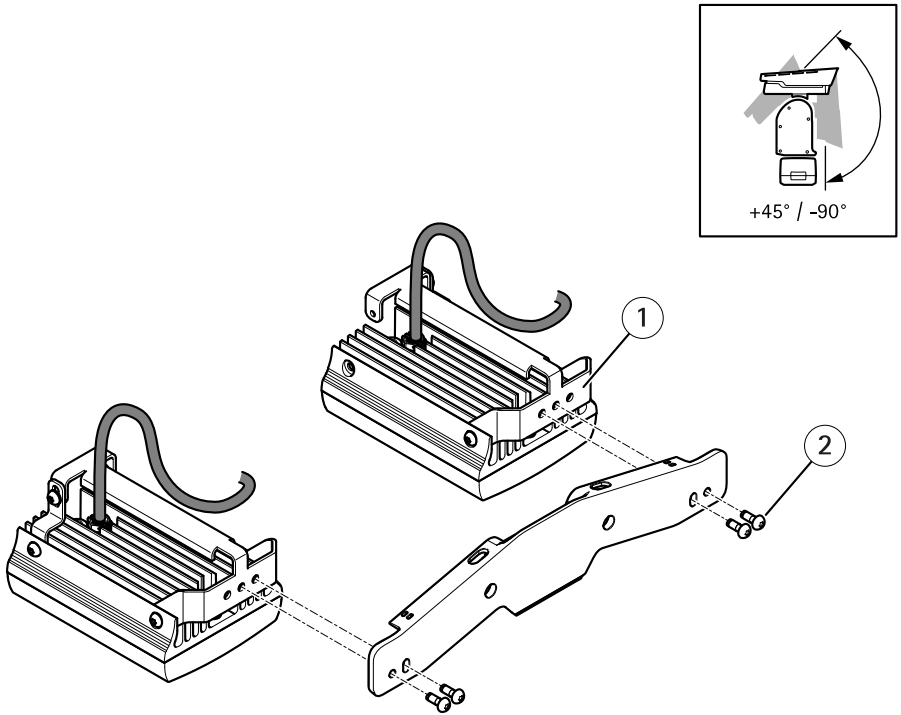


1 机盖

1. 移除四颗机盖螺丝 (T20)，然后取下机盖。

重要

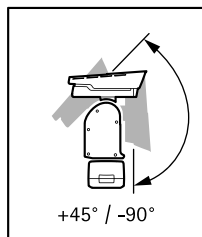
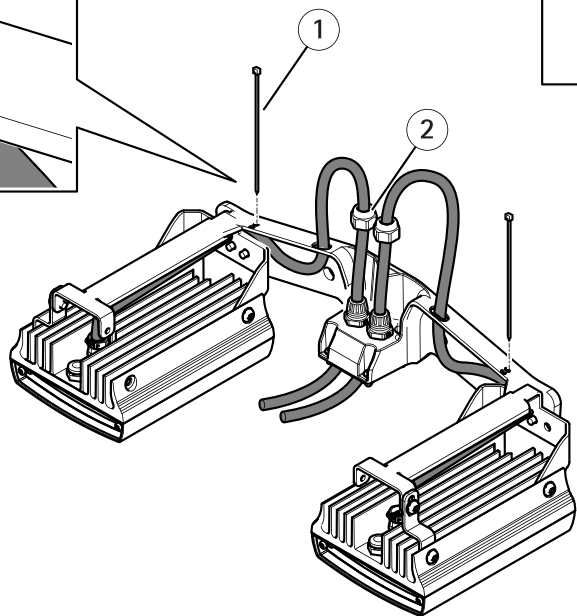
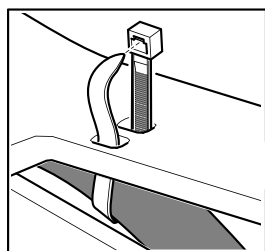
确保机盖下方的垫圈仍保持在原位。



- 1 照明器 (2个)
- 2 螺丝 (M6, 4个)

2. 使用 4 个螺丝将照明器安装至照明器支架。

AXIS PT IR Illuminator Kit C



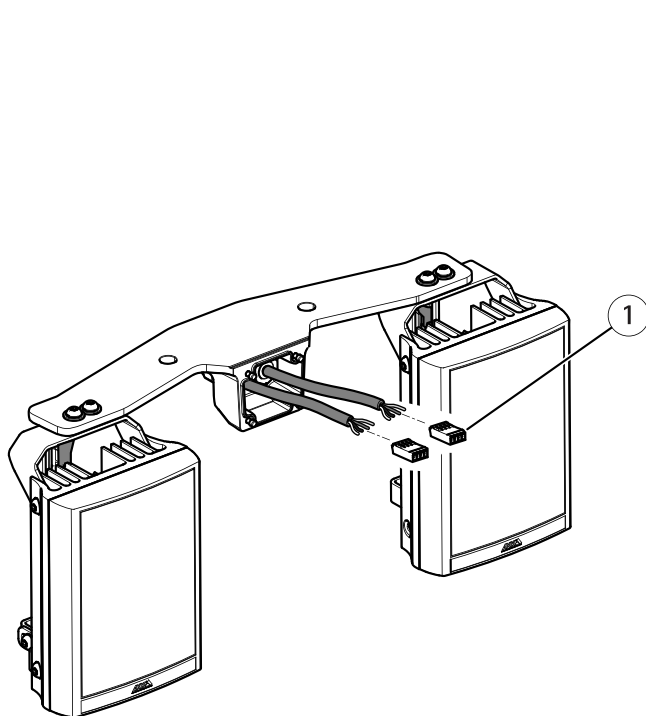
- 1 扎线带 (2 条)
- 2 盖螺母 (2 颗)

3. 如上所示布线并拧紧盖螺母 (扭矩 1.5 牛米)。

重要

为了避免在拧紧盖螺母时出现水损坏, 请确保橡胶垫圈保持到位。

4. 使用扎线带将电缆绑在照明器支架上。

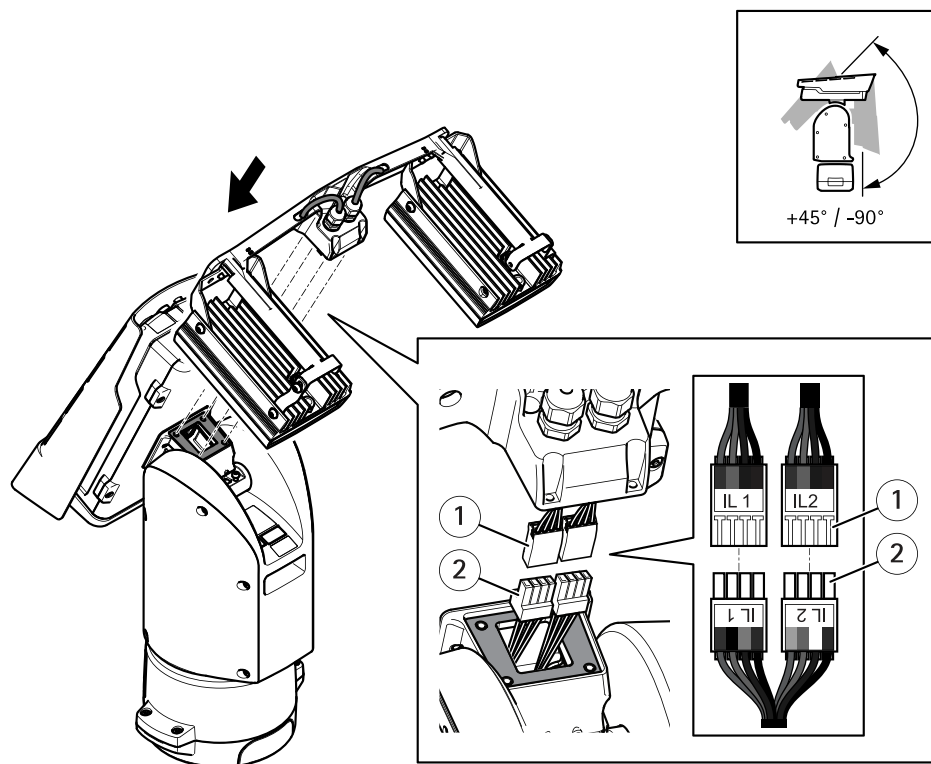


ZH

1 照明器连接器 (2个)

5. 安装连接器。请参见 [连接器 91](#)。

AXIS PT IR Illuminator Kit C



- 1 照明器连接器 (2个)
- 2 定位单元连接器 (2个)

6. 连接电缆。请参见 *连接器 91*。
7. 使用四颗螺丝 (T20, 扭矩 3.0 Nm) 将照明器支架连接到定位单元。

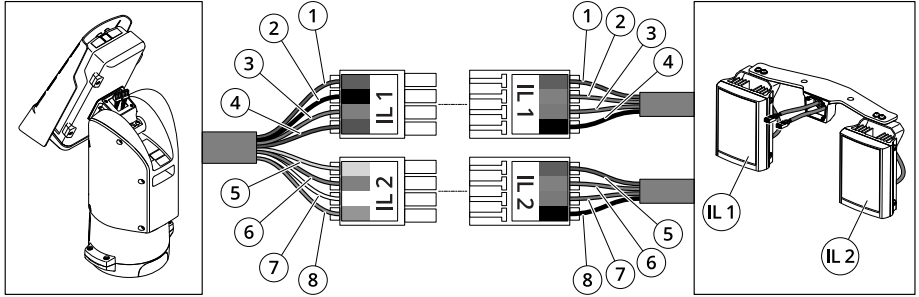
注意

有关操作照明器的更多信息, 请参阅 www.axis.com 上的照明器 LED 手册 (检查产品标签上的型号) 以及兼容安讯士产品的用户手册

规格

连接器

照明器连接器



	位置	电缆颜色 (定位单元)	电缆颜色 (照明器)	描述
IL1	1	红色	红色	+24V IL
	2	黑色	橙色	IL1 +VE
	3	灰色	紫色	IL1 -VE
	4	蓝色	黑色	接地
IL2	5	黄色	红色	+24V IL
	6	橙色	橙色	IL2 +VE
	7	白色	紫色	IL2 -VE
	8	绿色	黑色	接地

工作条件

安讯士产品用于在室内和室外使用。

AXIS PT IR Illuminator Kit C

分类	温度	湿度
IEC/EN 60529 IP66 and IP67, ISO 4892-2 方法 A, 周期 1 (3000 小时), NEMA 250 4X 型, 振动: Class 4M4 IEC 60721-3-4, 冲击: Class 4M4 IEC 60721-3-4, 划界: 4M4 IEC TR 60721-4-4	操作: -50 °C 至 60 °C (-58 °F 至 140 °F) 冷启动: -40 °C 至 60 °C (-40 °F 至 140 °F)	10-100% 相对湿度 (无冷凝)

功耗

产品	输入电压	上限光线/待机模式 *
AXIS PT IR Illuminator Kit C	12-24 V AC/DC	96 W / 0.30 W

注意

* 给定值用于每个套件的两个照明器。



Installation guide
AXIS PT IR Illuminator Kit C
© 2017 - 2024 Axis Communications AB

Ver. M6.2
Date: November 2024
Part no. 1717715