

AXIS Q16 Network Camera Series

AXIS Q1645 Network Camera

AXIS Q1647 Network Camera

Installation Guide

English	EN
---------	----

France: Français	FR
------------------	----

Deutschland: Deutsch	DE
----------------------	----

Italia: Italiano	IT
------------------	----

España: Español	ES
-----------------	----

日本: 日本語	JA
---------	----

中文: 简体中文	ZH
----------	----

Read this first

Read through this Installation Guide carefully before installing the product. Keep the Installation Guide for future reference.

Legal considerations

Video and audio surveillance can be regulated by laws that vary from country to country. Check the laws in your local region before using this product for surveillance purposes.

This product includes the following licences:

- one (1) AAC decoder license
- one (1) H.264 decoder license

To purchase further licenses, contact your reseller.

Liability

Every care has been taken in the preparation of this document. Please inform your local Axis office of any inaccuracies or omissions. Axis Communications AB cannot be held responsible for any technical or typographical errors and reserves the right to make changes to the product and manuals without prior notice. Axis Communications AB makes no warranty of any kind with regard to the material contained within this document, including, but not limited to, the implied warranties of merchantability and fitness for a particular purpose. Axis Communications AB shall not be liable nor responsible for incidental or consequential damages in connection with the furnishing, performance or use of this material. This product is only to be used for its intended purpose.

Intellectual property rights

Axis AB has intellectual property rights relating to technology embodied in the product described in this document. In particular, and without limitation, these intellectual property rights may include one or more of the patents listed at axis.com/patent.htm and one or more additional patents or pending patent applications in the US and other countries.

This product contains licensed third-party software. See the menu item "About" in the product's user interface for more information.

This product contains source code copyright Apple Computer, Inc., under the terms of Apple Public Source License 2.0 (see opensource.apple.com/apsl). The source code is available from developer.apple.com/bonjour/

Equipment modifications

This equipment must be installed and used in strict accordance with the instructions given in the user documentation. This equipment contains no user-serviceable components. Unauthorized equipment changes or modifications will invalidate all applicable regulatory certifications and approvals.

Trademark acknowledgements

AXIS COMMUNICATIONS, AXIS and VAPIX are registered trademarks or trademark applications of Axis AB in various jurisdictions. All other company names and products are trademarks or registered trademarks of their respective companies.

Apple, Boa, Apache, Bonjour, Ethernet, Internet Explorer, Linux, Microsoft, Mozilla, Real, SMPTE, QuickTime, UNIX, Windows, Windows Vista and WWW are registered trademarks of the respective holders. Java and all Java-based trademarks and logos are trademarks or registered trademarks of Oracle and/or its affiliates. The UPnP Word Mark and UPnP Logo are trademarks of Open Connectivity Foundation, Inc. in the United States or other countries.

SD, SDHC and SDXC are trademarks or registered trademarks of SD-3C, LLC in the United States, other countries or both. Also, miniSD, microSD, miniSDHC, microSDHC, microSDXC are all trademarks or registered trademarks of SD-3C, LLC in the United States, other countries or both.

Regulatory information

Europe

CE This product complies with the applicable CE marking directives and harmonized standards:

- Electromagnetic Compatibility (EMC) Directive 2014/30/EU. See *Electromagnetic compatibility (EMC) on page 4*.
- Low Voltage (LVD) Directive 2014/35/EU. See *Safety on page 5*.
- Restrictions of Hazardous Substances (RoHS) Directive 2011/65/EU. See *Disposal and recycling on page 5*.

A copy of the original declaration of conformity may be obtained from Axis Communications AB. See *Contact information on page 5*.

Electromagnetic compatibility (EMC)

This equipment has been designed and tested to fulfill applicable standards for:

- Radio frequency emission when installed according to the instructions and used in its intended environment.
- Immunity to electrical and electromagnetic phenomena when installed according to the instructions and used in its intended environment.

USA

This equipment has been tested using an unshielded network cable (UTP) and found to comply with the limits for a Class A digital device, pursuant to part 15 of the FCC rules. This equipment has also been tested using a shielded network cable (STP) and found to comply with the limits for a Class A digital device, pursuant to part 15 of the FCC rules. These limits are designed to provide reasonable protection against harmful interference when the equipment is operated in a commercial environment. This equipment generates, uses, and can radiate radio frequency energy and, if not installed and used in accordance with the instruction manual, may cause harmful interference to radio communications. Operation of this equipment in a residential area is likely to cause harmful interference in which case the user will be required to correct the interference at his own expense.

Canada

This digital apparatus complies with CAN ICES-3 (Class A). The product shall be connected using a shielded network cable (STP) that is properly grounded. Cet appareil numérique est conforme à la norme CAN NMB-3 (classe A). Le produit doit être connecté à l'aide d'un câble réseau blindé (STP) qui est correctement mis à la terre.

Europe

This digital equipment fulfills the requirements for RF emission according to the Class A limit of EN 55032. The product shall be connected using a shielded network cable (STP) that is properly grounded. Notice! This is a Class A product. In a domestic environment this product may cause RF interference, in which case the user may be required to take adequate measures.

Australia/New Zealand

This digital equipment fulfills the requirements for RF emission according to the Class A limit of AS/NZS CISPR 32. The product shall be connected using a shielded network cable (STP) that is properly grounded. Notice! This is a Class A product. In a domestic environment this product

may cause RF interference, in which case the user may be required to take adequate measures.

Japan

この装置は、クラスA 情報技術装置です。この装置を家庭環境で使用すると電波妨害を引き起こすことがあります。この場合には使用者が適切な対策を講ずるよう要求されることがあります。本製品は、シールドネットワークケーブル(STP)を使用して接続してください。また適切に接地してください。

Korea

이 기기는 업무용 환경에서 사용할 목적으로 적합성 평가를 받은 기기로서 가정용 환경에서 사용하는 경우 전파간섭의 우려가 있습니다. 적절히 접지된 STP (shielded twisted pair) 케이블을 사용하여 제품을 연결 하십시오.

Safety

This product complies with IEC/EN/UL 62368-1, safety of audio/video and IT equipment.

If its connecting cables are routed outdoors, the product shall be grounded either through a shielded network cable (STP) or other appropriate method.

The power supply used with this product shall have a rated output voltage within voltage range of 8–28 V DC.

The power supply shall also fulfill one of the following requirements:

- Safety Extra Low Voltage (SELV) according to clause 2.2 of IEC/EN/UL 60950-1 and Limited Power Source (LPS) according to clause 2.5 of IEC/EN/UL 60950-1 or CEC/NEC Class 2 source of supply as defined in the Canadian Electrical Code, CSA C22.1 and National Electrical Code, ANSI/NFPA 70
- Class 1 electrical energy source (ES1) and Class 2 power source (PS2) rated output power limited to ≤100 W according to IEC/EN/UL 62368-1

Axis recommends the use of Axis Mains Adaptor PS-K T-C.

When used with Power over Ethernet (PoE) the Power sourcing equipment (PSE) shall comply with IEEE 802.3af/802.3at and Limited Power Source (LPS) according to clause 2.5 of IEC/EN/UL 60950-1 or annex Q of IEC/EN/UL 62368-1.

Axis recommends the use of Axis midspans of Axis PoE switches.

Disposal and recycling

When this product has reached the end of its useful life, dispose of it according to local laws and regulations. For information about your nearest designated collection point, contact your local authority responsible for waste disposal. In accordance with local legislation, penalties may be applicable for incorrect disposal of this waste.

Europe



This symbol means that the product shall not be disposed of together with household or commercial waste. Directive 2012/19/EU on waste electrical and electronic equipment (WEEE) is applicable in the European Union member states. To prevent potential harm to human health and the environment, the product must be disposed of in an approved and environmentally safe recycling process. For information about your nearest designated collection point, contact your local authority responsible for waste disposal. Businesses should contact the product supplier for information about how to dispose of this product correctly.

This product complies with the requirements of Directive 2011/65/EU on the restriction of the use of certain hazardous substances in electrical and electronic equipment (RoHS).

China



This product complies with the requirements of SJ/T 11364-2014, Marking for the restriction of hazardous substances in electrical and electronic products.

有毒有害物质或元素						
部件名称	铅 (Pb)	汞 (Hg)	镉 (Cd)	六价铬 (Cr-VI)	多溴联苯 (PB-B)	多溴二苯醚 (PB-DE)
电气实装部分	X	0	0	0	0	0
<p>0: 表示该有毒有害物质在该部件所有均质材料中的含量均在GB/T 26572标准规定的限量要求以下。 X: 表示该有毒有害物质至少在该部件的某一均质材料中的含量超出GB/T 26572标准规定的限量要求。</p>						

Contact information

Axis Communications AB
 Emdalavägen 14
 223 69 Lund
 Sweden

Tel: +46 46 272 18 00
 Fax: +46 46 13 61 30

axis.com

Warranty information

For information about Axis' product warranty and thereto related information, go to axis.com/warranty

Support

Should you require any technical assistance, please contact your Axis reseller. If your questions cannot be answered immediately, your reseller will forward your queries through the appropriate channels to ensure a rapid response. If you are connected to the Internet, you can:

- download user documentation and software updates
- find answers to resolved problems in the FAQ database, search by product, category, or phrase
- report problems to Axis support staff by logging in to your private support area
- chat with Axis support staff
- visit Axis Support at axis.com/support

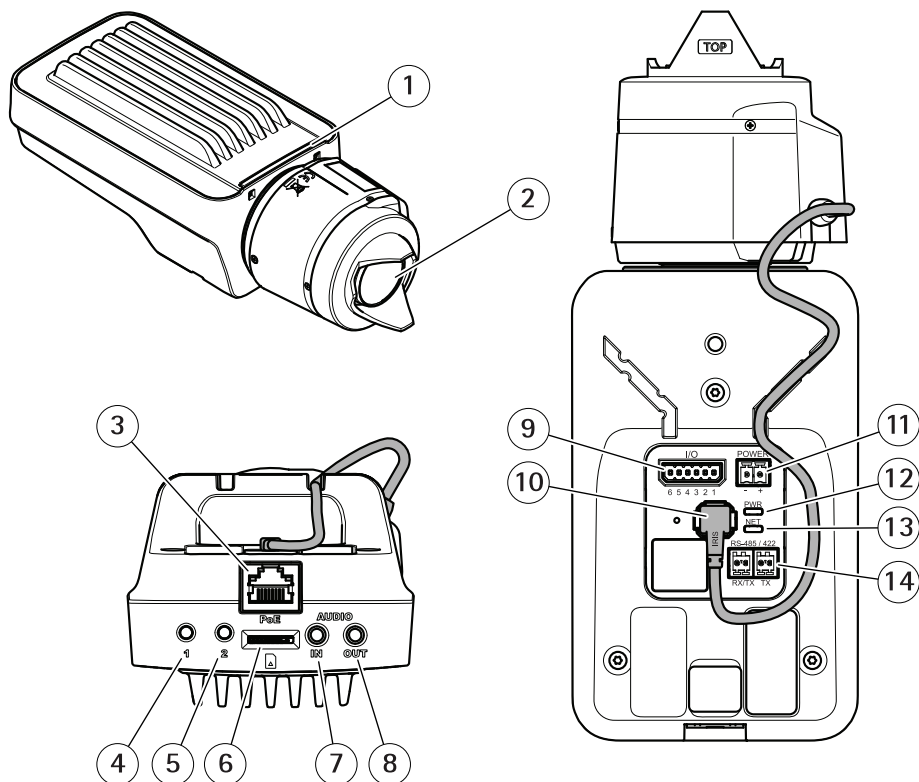
Learn more!

Visit Axis learning center axis.com/academy for useful trainings, webinars, tutorials and guides.

Package contents

- AXIS Q1645/Q1647 Network Camera
- Camera stand
- Allen key Resitorx 20
- Printed materials
 - Installation Guide (this document)
 - Extra serial number label (x2)
 - AVHS Authentication key

Product overview



- 1 Status LED indicator
- 2 Lens
- 3 Network connector (PoE)
- 4 Control button (1)
- 5 Function button (2)
- 6 microSD Card slot
- 7 Audio in
- 8 Audio out
- 9 I/O connector
- 10 Iris connector
- 11 Power connector
- 12 Power LED indicator
- 13 Network LED indicator
- 14 RS485/RS422 connector

How to install the product

NOTICE

Due to local regulations or the environmental and electrical conditions in which the product is to be used, a shielded network cable (STP) may be appropriate or required. Any network cables that are routed outdoors or in demanding electrical environments shall be shielded (STP) and intended for their specific use.

Note

- Make sure that the material is strong enough to support the weight of the camera.
 - For more technical specifications, see the camera's datasheet, available on www.axis.com
1. Prepare the wall or ceiling for installation of the stand. Use the stand as a template and mark the holes before drilling.
 2. Route the network cable through the wall or ceiling. Leave approximately 30 cm (11.8 in) of cable for connecting the camera.
 3. If connecting an auxiliary device, for example an I/O, audio, or external power device, leave approximately 30 cm (11.8 in) of cable for connecting the camera.
 4. Install the stand on the wall or ceiling and make sure that the screws and plugs are appropriate for the material (e.g. wood, metal, sheet rock, stone).
 5. Install the camera on the stand and tighten the tripod screw.
 6. Optionally connect an active speaker and/or external microphone.
 7. Connect the camera to the network using a shielded network cable.
 8. Connect power, using one of the methods listed below:
 - PoE (Power over Ethernet). PoE is automatically detected when the network cable is connected.
 - Connect an external power adapter to the power connector block. See *Connectors*.
 9. Check that the indicator LEDs indicate the correct conditions. See the table on for more details. Note that the Status LED can be configured to be unlit during normal operation.
 10. Optionally insert a microSD card (not included) into the SD card slot.
 11. Aim the camera in the right direction and use the supplied Allen key Resistorx 20 to tighten the ball joint.

NOTICE

To prevent corruption of recordings, the SD card should be unmounted before it is ejected. To unmount, go to **Settings > System > Storage** in the camera web interface.

How to access the product

AXIS IP Utility and AXIS Camera Management are recommended methods for finding Axis products on the network and assigning them IP addresses in Windows®. Both applications are free and can be downloaded from axis.com/support

AXIS Q16 Network Camera Series

The product can be used with the following browsers:

- Chrome™ (recommended), Firefox®, Edge®, or Opera® with Windows®
- Chrome™ (recommended) or Safari® with OS X®
- Chrome™ or Firefox® with other operating systems.

To find out more about how to use the product, see the User Manual available at axis.com

If you need more information about recommended browsers, go to axis.com/browser-support

How to adjust focus and zoom

If the camera is mounted so that you cannot look at the image and access the lens at the same time, use the Focus Assistant, see .

1. Go to the **Image** tab in the product's webpage.
2. Adjust **Zoom**.
3. Click **Autofocus**.

How to replace the lens

1. Stop all recordings and disconnect power from the product.
2. Disconnect the lens cable and remove the standard lens.
3. Attach the new lens and connect the lens cable.
4. Reconnect the power.
5. Go to the **Image** tab in the product's webpage and select the **P-Iris** lens you have installed.

Note

If you use a DC iris lens, select **Generic DC Iris**.

6. Adjust the zoom and focus.

How to adjust focus and zoom for optional lenses

If the camera is mounted so that you cannot look at the image and access the lens at the same time, use the Focus Assistant, see .

1. Go to the **Image** tab in the product's webpage.
2. Loosen the zoom and focus pullers on the lens by turning them counter-clockwise. See *Product overview*.
3. Move the pullers to set zoom and focus and check the quality of the image in the image window.

4. Re-tighten the zoom and focus pullers.
5. Click **Autofocus**.

How to adjust focus with the Focus Assistant

Note

Only valid for optional P-iris, DC-iris or manual iris lenses.

- The view in front of the camera should not be changed during focus adjustment. If the camera is moved, or if a finger or other object is placed in front of the lens, restart the procedure.
 - If movements in front of the camera cannot be avoided, the Focus Assistant should not be used.
1. Mount or place the camera so that it cannot be moved.
 2. Loosen the zoom puller by turning it anti-clockwise. Move the puller to set the zoom level. Retighten the zoom puller.
 3. Set the camera to its extreme distant-focus position by loosening the focus puller and turning the focus ring fully clockwise.
 4. Press and quickly release the control button. When the status indicator flashes, the Focus Assistant is enabled.
 5. Gently turn the focus ring anti-clockwise until it stops.
 6. Turn the focus ring slowly clockwise until the status indicator flashes green.
 7. To exit the Focus Assistant, press the control button. If you cannot access the control button, the Focus Assistant is switched off automatically after 15 minutes.
 8. Re-tighten the focus puller.
 9. Go to the **Image** tab in the product's webpage.
 10. Click **Autofocus** and follow the instructions from the wizard.

How to reset to factory default settings

Important

Reset to factory default should be used with caution. A reset to factory default resets all settings, including the IP address, to the factory default values.

To reset the product to the factory default settings:

1. Disconnect power from the product.
2. Press and hold the control button while reconnecting power. See *Product overview*.
3. Keep the control button pressed for 15–30 seconds until the status LED indicator flashes amber.
4. Release the control button. The process is complete when the status LED indicator turns green. The product has been reset to the factory default settings. If no DHCP server is available on the network, the default IP address is 192.168.0.90
5. Use the installation and management software tools to assign an IP address, set the password, and access the video stream.

The installation and management software tools are available from the support pages on axis.com/support

Further information

- For the latest version of this document, see axis.com
- The user manual is available at axis.com
- To check if there is updated firmware available for your product, see axis.com/support
- For useful online trainings and webinars, see axis.com/academy

Optional accessories

For a complete list of available accessories for this product, go to the product's page on axis.com and select Software & Accessories.

Specifications

To find the latest version of the product's datasheet, go to the product page on axis.com and locate **Support & Documentation**.

LED indicators

Note

- The Status LED can be configured to flash while an event is active.

Status LED	Indication
Green	Steady green for normal operation.
Amber	Steady during startup. Flashes when restoring settings.

Network LED	Indication
Green	Steady for connection to a 100 Mbit/s network. Flashes for network activity.
Amber	Steady for connection to a 10 Mbit/s network. Flashes for network activity.
Unlit	No network connection.

Power LED	Indication
Green	Normal operation.
Amber	Flashes green/amber during firmware upgrade.

Status LED behavior for focus assistant

Note

Only valid for optional P-iris, DC-iris or manual iris lenses.

The status LED flashes when the Focus Assistant is active.

Color	Indication
Red	The image is out of focus. Adjust the lens.
Amber	The image is close to focus. The lens needs fine tuning.
Green	The image is in focus.

Buzzer signal for focus assistant

Note

Only valid for optional P-iris, DC-iris or manual iris lenses.

Buzzer	Lens
Fast interval	Optimally adjusted
Medium interval	Less optimally adjusted
Slow interval	Poorly adjusted

Status LED behavior and buzzer signal for leveling assistant

For information on the function button used for leveling the camera, see *page 15*.

Press and hold the function button (2) for more than two seconds to level the camera.

- When the camera is level, both LEDs are steady green, and the beep is continuous.
- When the camera is not level, the LEDs flash a combination of red, green and orange, and the beep occurs at slow intervals.

Both LEDs briefly flash green to indicate that the leveling is getting better.

SD card slot

NOTICE

- Risk of damage to SD card. Do not use sharp tools, metal objects, or excessive force when inserting or removing the SD card. Use your fingers to insert and remove the card.
- Risk of data loss and corrupted recordings. Do not remove the SD card while the product is running. Unmount the SD card from the product's webpage before removal.

This product supports microSD/microSDHC/microSDXC cards (not included).

For SD card recommendations, see *axis.com*

Buttons

Control button

For location of the control button, see *Product overview on page 8*.

The control button is used for:

- Enabling the Focus Assistant. Press and very quickly release the control button.
- Resetting the product to factory default settings. See *page 12*.

AXIS Q16 Network Camera Series

- Connecting to an AXIS Video Hosting System service. To find out more about this service, see axis.com

Function button

The function button has multiple functions:

- **Leveling assistant** – This function helps to ensure the camera is level. Press the button for about 3 seconds to start the leveling assistant and press again to stop the leveling assistant. The status LED and buzzer signal assist leveling of the camera, see *Status LED behavior and buzzer signal for leveling assistant on page 15*. The camera is level when the buzzer beeps continuously.
- **Focus assistant** – This function is used for enabling the focus assistant. To enable the focus assistant, press and very quickly release the button. Press again to stop the focus assistant.

To find out more, go to *page 11*.

Connectors

Network connector

RJ45 Ethernet connector with Power over Ethernet (PoE).

NOTICE

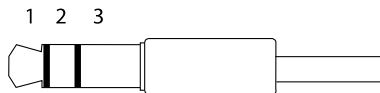
Due to local regulations or the environmental and electrical conditions in which the product is to be used, a shielded network cable (STP) may be appropriate or required. All cables connecting the product to the network and that are routed outdoors or in demanding electrical environments shall be intended for their specific use. Make sure that the network devices are installed in accordance with the manufacturer's instructions. For information about regulatory requirements, see *Electromagnetic compatibility (EMC) on page 4*.

Audio connector

The Axis product has the following audio connectors:

- **Audio in (pink)** – 3.5 mm input for a mono microphone, or a line-in mono signal.
- **Audio out (green)** – 3.5 mm output for audio (line level) that can be connected to a public address (PA) system or an active speaker with a built-in amplifier. It is recommended to use a stereo connector for audio out.

3.5 mm audio connectors (stereo)



	1 Tip	2 Ring	3 Sleeve
Audio Input	Balanced: 'Hot' signal Microphone/Line in Unbalanced: Microphone/Line in	Balanced: 'Cold' signal Microphone/Line in Unbalanced: Unused	Ground
Audio Output	Line out, mono	Line out, mono	Ground

EN

The internal microphone is used by default; the external microphone is used when connected. It is possible to disable the internal microphone by connecting a plug to the microphone input.

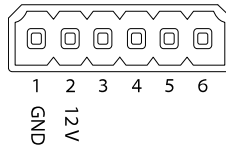
I/O connector

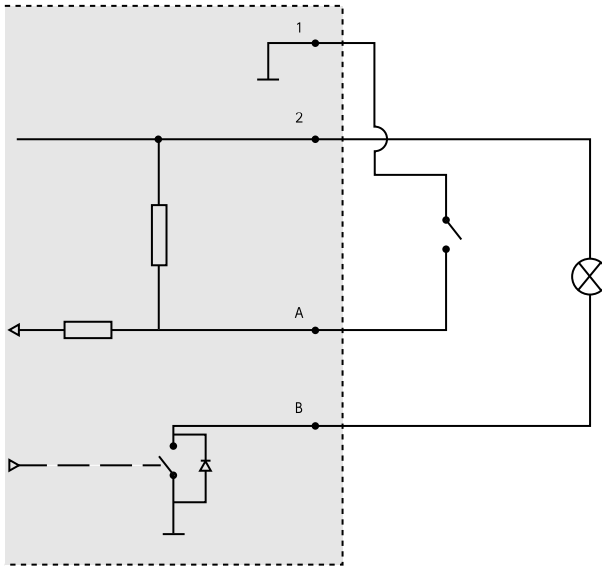
Use the I/O connector with external devices in combination with, for example, motion detection, event triggering, and alarm notifications. In addition to the 0 V DC reference point and power (DC output), the I/O connector provides the interface to:

Digital input – For connecting devices that can toggle between an open and closed circuit, for example PIR sensors, door/window contacts, and glass break detectors.

Digital output – For connecting external devices such as relays and LEDs. Connected devices can be activated by the VAPIX® Application Programming Interface or in the product's webpage.

6-pin terminal block

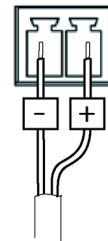




- 1 0 V DC (-)
- 2 DC output 12 V, max 50 mA
- A I/O configured as input
- B I/O configured as output

Power connector

2-pin terminal block for DC power input. Use a Safety Extra Low Voltage (SELV) compliant limited power source (LPS) with either a rated output power limited to ≤ 100 W or a rated output current limited to ≤ 5 A.

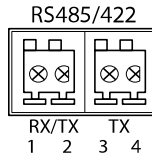


RS485/RS422 connector

Two 2-pin terminal blocks for RS485/RS422 serial interface used to control auxiliary equipment such as pan-tilt devices.

The serial port can be configured to support:

- Two-wire RS485 half duplex
- Four-wire RS485 full duplex
- Two-wire RS422 simplex
- Four-wire RS422 full duplex point to point communication



Function	Pin	Notes
RS485B alt RS485/422 RX(B)	1	RX pair for all modes (combined RX/TX for 2-wire RS485)
RS485A alt RS485/422 RX(A)	2	
RS485/RS422 TX(B)	3	TX pair for RS422 and 4-wire RS485
RS485/RS422 TX(A)	4	

Important

The maximum cable length is 30 m (98 ft).

Safety information

Hazard levels

⚠DANGER

Indicates a hazardous situation which, if not avoided, will result in death or serious injury.

⚠WARNING

Indicates a hazardous situation which, if not avoided, could result in death or serious injury.

⚠CAUTION

Indicates a hazardous situation which, if not avoided, could result in minor or moderate injury.

NOTICE

Indicates a situation which, if not avoided, could result in damage to property.

Other message levels

Important

Indicates significant information which is essential for the product to function correctly.

Note

Indicates useful information which helps in getting the most out of the product.

Safety instructions

NOTICE

- The Axis product shall be used in compliance with local laws and regulations.
- Axis recommends using a shielded network cable (STP) CAT5 or higher.
- To use the Axis product outdoors, or in similar environments, it shall be installed in an approved outdoor housing.
- Store the Axis product in a dry and ventilated environment.
- Avoid exposing the Axis product to shocks or heavy pressure.
- Do not install the product on unstable poles, brackets, surfaces or walls.
- Use only applicable tools when installing the Axis product. Using excessive force with power tools could cause damage to the product.
- Do not use chemicals, caustic agents, or aerosol cleaners.
- Use a clean cloth dampened with pure water for cleaning.
- Use only accessories that comply with the technical specification of your product. These can be provided by Axis or a third party. Axis recommends using Axis power source equipment compatible with your product.
- Use only spare parts provided by or recommended by Axis.
- Do not attempt to repair the product yourself. Contact Axis support or your Axis reseller for service matters.
- The power supply shall be plugged in to a socket outlet installed near the product and shall be easily accessible.
- Use a limited power source (LPS) with either a rated output power limited to ≤ 100 W or a rated output current limited to ≤ 5 A.

Transportation

NOTICE

- When transporting the Axis product, use the original packaging or equivalent to prevent damage to the product.

Battery

The Axis product uses a 3.0 V CR2032 lithium battery as the power supply for its internal real-time clock (RTC). Under normal conditions this battery will last for a minimum of five years.

Low battery power affects the operation of the RTC, causing it to reset at every power-up. When the battery needs replacing, a log message will appear in the product's server report. For more information about the server report, see the product's setup pages or contact Axis support.

The battery should not be replaced unless required, but if the battery does need replacing, contact Axis support at axis.com/support for assistance.

Lithium coin cell 3.0 V batteries contain 1,2-dimethoxyethane; ethylene glycol dimethyl ether (EGDME), CAS no. 110-71-4.

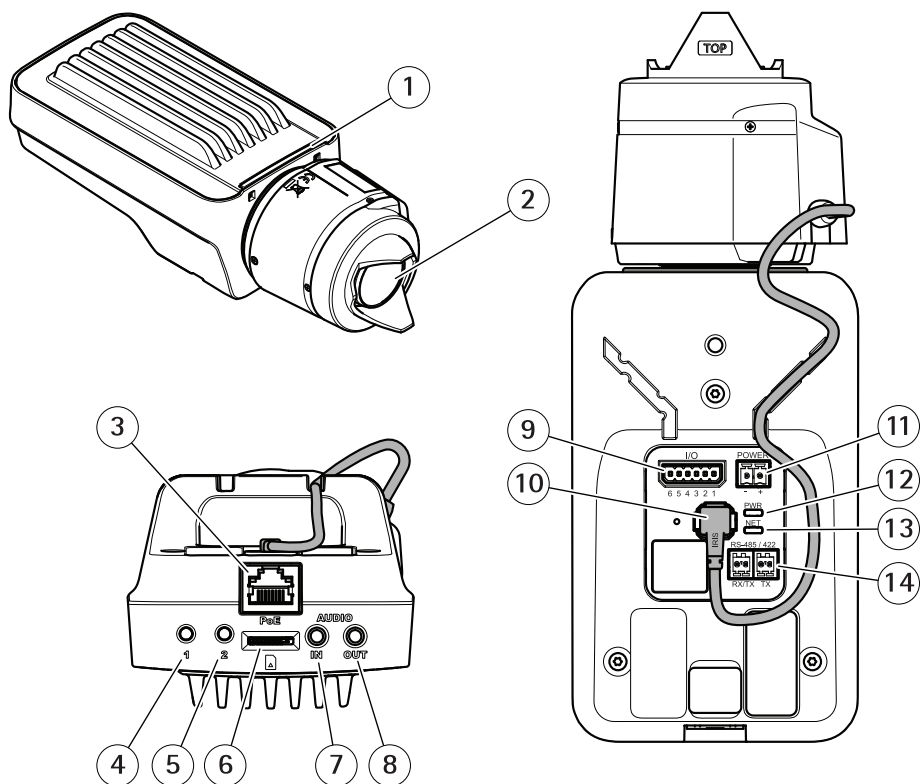
⚠WARNING

- Risk of explosion if the battery is incorrectly replaced.
- Replace only with an identical battery or a battery which is recommended by Axis.
- Dispose of used batteries according to local regulations or the battery manufacturer's instructions.

Contenu de l'emballage

- Caméra réseau AXIS Q1645/Q1647
- Support de caméra
- Clé hexagonale Resistorx 20
- Documents imprimés
 - Guide d'installation (ce document)
 - Étiquette de numéro de série supplémentaire (x2)
 - Clé d'authentification AVHS

Vue d'ensemble du produit



- 1 Voyant d'état
- 2 Objectif
- 3 Connecteur réseau (PoE)
- 4 Bouton de commande (1)
- 5 Bouton Fonction (2)
- 6 Logement de carte microSD
- 7 Entrée audio
- 8 Sortie audio
- 9 Connecteur E/S
- 10 Connecteur de l'iris
- 11 Connecteur d'alimentation
- 12 Voyant DEL d'alimentation
- 13 Voyant DEL réseau
- 14 Connecteur RS485/RS422

Comment installer le produit

AVIS

Les réglementations locales ou les conditions environnementales et électriques dans lesquelles le produit est utilisé peuvent nécessiter l'utilisation d'un câble réseau blindé (STP). Tous les câbles réseau qui sont acheminés à l'extérieur ou dans des environnements électriques exigeants doivent être blindés (STP) et destinés à leur usage spécifique.

Note

- Assurez-vous que le matériau du plafond est assez solide pour supporter le poids de la caméra.
 - Pour plus de caractéristiques techniques, reportez-vous à la fiche technique de la caméra, disponible sur www.axis.com
1. Préparez le mur ou le plafond pour l'installation du support. Utilisez le support comme gabarit et marquez les trous avant de les percer.
 2. Acheminez le câble réseau à travers le mur ou le plafond. Laissez environ 30 cm (11,8") de câble pour la connexion de la caméra.
 3. Si vous connectez un périphérique auxiliaire (par exemple, un périphérique d'entrée/sortie, audio ou d'alimentation externe), laissez environ 30 cm de câble pour la connexion de la caméra.
 4. Fixez le support sur un mur ou un plafond et assurez-vous que les vis et les fiches sont adaptées au matériau (par ex., bois, métal, plaque de plâtre ou pierre).
 5. Installez la caméra sur le support et serrez la vis du trépied.
 6. Si vous le souhaitez, vous pouvez brancher un haut-parleur actif et/ou un microphone externe.
 7. Connectez la caméra au réseau à l'aide d'un câble réseau blindé.
 8. Branchez l'alimentation en suivant l'une des méthodes décrites ci-dessous :
 - Alimentation par Ethernet (PoE) : l'alimentation par Ethernet (PoE) est automatiquement détectée lorsque le câble réseau est connecté.
 - Connectez un adaptateur d'alimentation externe au bloc de connexion d'alimentation. Voir *Connecteurs*.
 9. Vérifiez que les voyants DEL indiquent le bon état de fonctionnement. Pour plus d'informations, reportez-vous au tableau de la . Notez que le voyant d'état peut être configuré pour être éteint pendant le fonctionnement normal.
 10. Vous pouvez également insérer une carte microSD (non fournie) dans la fente pour carte SD.
 11. Orientez la caméra dans la bonne direction et serrez le joint sphérique au moyen de la clé hexagonale Resitorx 20 fournie.

AVIS

Pour éviter la corruption des enregistrements, la carte SD doit être démontée avant son éjection. Pour ce faire, rendez-vous dans **Settings > System > Storage (Paramètres > Système > Stockage)** dans l'interface Web de la caméra.

Comment accéder au produit

AXIS IP Utility et AXIS Camera Management sont recommandés pour trouver des produits Axis sur le réseau et leur attribuer des adresses IP Windows®. Ces applications sont gratuites et peuvent être téléchargées via axis.com/support

Le produit peut être utilisé avec les navigateurs suivants :

- Chrome™ (recommandé), Firefox®, Edge® ou Opera® avec Windows®
- Chrome™ (recommandé) ou Safari® avec OS X®
- Chrome™ ou Firefox® avec les autres systèmes d'exploitation.

Pour en savoir plus sur l'utilisation du produit, consultez le manuel de l'utilisateur disponible sur le site axis.com

Pour obtenir davantage d'informations sur les navigateurs recommandés, consultez la page axis.com/browser-support

Réglage de la mise au point et du zoom

Si la caméra est montée de telle sorte qu'il est impossible de regarder l'image et d'accéder à l'objectif en même temps, utilisez l'assistant de mise au point, voir .

1. Accédez à l'onglet **Image** de la page Web du produit.
2. Réglez le **zoom**.
3. Cliquez sur **Autofocus (Mise au point automatique)**.

Remplacement de l'objectif

1. Arrêtez tous les enregistrements et déconnectez l'alimentation de l'appareil.
2. Débranchez le câble de l'objectif et retirez l'objectif standard.
3. Installez le nouvel objectif et connectez le câble de l'objectif.
4. Rebranchez l'alimentation.
5. Accédez à l'onglet **Image** de la page Web du produit et sélectionnez l'objectif **P-Iris** installé.

Note

Si vous utilisez un objectif à diaphragme DC, sélectionnez l'option **Generic DC Iris (Diaphragme DC générique)**.

6. Réglez le **zoom** et la **mise au point**.

Réglage de la mise au point et du zoom des objectifs en option

Si la caméra est montée de telle sorte qu'il est impossible de regarder l'image et d'accéder à l'objectif en même temps, utilisez l'assistant de mise au point, voir .

1. Accédez à l'onglet **Image** de la page Web du produit.
2. Desserrez les commandes de zoom et de mise au point de l'objectif en les tournant dans le sens inverse des aiguilles d'une montre. Cf. *Vue d'ensemble du produit*.
3. Déplacez les commandes pour régler le zoom et la mise au point et vérifiez la qualité de l'image dans la fenêtre correspondante.
4. Resserrez les commandes de zoom et de mise au point.
5. Cliquez sur **Autofocus (Mise au point automatique)**.

Réglage de la mise au point avec l'assistant de mise au point

Note

Valable uniquement pour les objectifs à diaphragme P, DC ou manuel en option.

- La vue en face de la caméra ne doit pas être modifiée lors du réglage de la mise au point. Si la caméra est déplacée ou si un doigt ou un autre objet est placé devant l'objectif, vous devrez recommencer la procédure.
 - Si les mouvements devant la caméra ne peuvent pas être évités, l'assistant de mise au point ne doit pas être utilisé.
1. Installez la caméra ou placez-la de façon à ce qu'elle ne puisse pas bouger.
 2. Desserrez la commande de zoom en la tournant dans le sens inverse des aiguilles d'une montre. Déplacez la commande pour régler le niveau du zoom. Resserrez la commande de zoom.
 3. Réglez la caméra sur sa position de mise au point à distance extrême en desserrant la commande de mise au point et en tournant la bague de mise au point au maximum dans le sens des aiguilles d'une montre.
 4. Appuyez sur le bouton de commande et relâchez-le très rapidement. Lorsque le voyant d'état clignote, l'assistant de mise au point est activé.
 5. Tournez délicatement la bague de mise au point dans le sens inverse des aiguilles d'une montre jusqu'à ce qu'elle s'arrête.
 6. Tournez lentement la bague de mise au point dans le sens inverse des aiguilles d'une montre jusqu'à ce que l'indicateur d'état clignote en vert.
 7. Pour quitter l'assistant de mise au point, appuyez à nouveau sur le bouton de commande. Si vous ne pouvez pas atteindre le bouton de commande, l'assistant de mise au point se désactive automatiquement après 15 minutes.
 8. Resserrez la commande de mise au point.
 9. Accédez à l'onglet **Image** de la page Web du produit.
 10. Cliquez sur **Autofocus (Mise au point automatique)** et suivez les instructions de l'assistant.

Comment réinitialiser les paramètres par défaut

Important

La réinitialisation aux paramètres par défaut doit être utilisée avec prudence. Cette opération reconfigure tous les paramètres, y compris l'adresse IP, aux valeurs d'usine par défaut.

Pour réinitialiser l'appareil aux paramètres d'usine par défaut :

1. Déconnectez l'alimentation de l'appareil.
2. Maintenez le bouton de commande enfoncé en remettant l'appareil sous tension. Cf. *Vue d'ensemble du produit*.
3. Maintenez le bouton de commande enfoncé pendant 15 à 30 secondes, jusqu'à ce que le voyant d'état clignote en orange.
4. Relâchez le bouton de commande. Le processus est terminé lorsque le voyant d'état passe au vert. Les paramètres d'usine par défaut de l'appareil ont été rétablis. En l'absence d'un serveur DHCP sur le réseau, l'adresse IP par défaut est 192.168.0.90.
5. Utilisez les outils d'installation et de gestion pour attribuer une adresse IP, configurer le mot de passe et accéder au flux de données vidéo.

Les logiciels d'installation et de gestion sont disponibles sur les pages d'assistance du site axis.com/support.

Informations complémentaires

- Pour obtenir la version la plus à jour de ce document, voir axis.com
- Le manuel d'utilisateur est disponible via axis.com
- Pour vérifier s'il existe un micrologiciel mis à jour pour votre produit, voir axis.com/support
- Pour accéder à des formations et webinaires en ligne utiles, voir axis.com/academy

FR

Accessoires en option

Pour une liste complète des accessoires disponibles pour ce produit, accédez à la page du produit sur axis.com et sélectionnez Logiciel et accessoires.

Caractéristiques

Pour obtenir la dernière version de la fiche technique du produit, rendez-vous sur axis.com > [produit] > Assistance et documentation.

Voyants LED

Note

- Le voyant d'état peut clignoter lorsqu'un événement est actif.

Voyant d'état	Indication
Vert	Vert et fixe en cas de fonctionnement normal.
Orange	Fixe pendant le démarrage. Clignote lors de la restauration des paramètres.

Voyant DEL réseau	Indication
Vert	Fixe en cas de connexion à un réseau de 100 Mbit/s. Clignote en cas d'activité réseau.
Orange	Fixe en cas de connexion à un réseau de 10 Mbit/s. Clignote en cas d'activité réseau.
Éteint	Pas de connexion réseau.

Voyant d'alimentation	Indication
Vert	Fonctionnement normal.
Orange	Le voyant vert/orange clignote pendant la mise à niveau du firmware.

Comportement du voyant d'état pour l'assistant de mise au point

Note

Valable uniquement pour les objectifs à diaphragme P, DC ou manuel en option.

Le voyant d'état clignote lorsque l'assistant de mise au point est activé.

Couleur	Indication
Rouge	L'image n'est pas au point. Réglage de l'objectif.
Orange	L'image est presque au point. L'objectif doit être ajusté.
Vert	L'image est au point.

Signal sonore de l'assistant de mise au point

Note

Valable uniquement pour les objectifs à diaphragme P, DC ou manuel en option.

Avertisseur	Objectif
Intervalle rapide	Réglage optimal
Intervalle intermédiaire	Réglage moins optimal
Intervalle lent	Réglage médiocre

Comportement du voyant d'état et du signal sonore pour l'assistant de nivellement

Pour plus d'informations sur le bouton fonction utilisé pour le nivellement de la caméra, consultez [page 34](#).

Maintenez le bouton Fonction (2) enfoncé pendant plus de deux secondes pour mettre la caméra à niveau.

- Lorsque la caméra est mise à niveau, les deux voyants DEL sont verts et fixes et le signal sonore est continu.
- Lorsque la caméra n'est pas mise à niveau, les voyants d'état clignotent alternativement en rouge, vert et orange et le signal sonore est émis à intervalles lents.

Les deux voyants d'état clignotent brièvement en vert pour indiquer que le nivellement s'améliore.

Fente pour carte SD

AVIS

- Risque de dommages à la carte SD. N'utilisez pas d'outils tranchants ou d'objets métalliques pour insérer ou retirer la carte SD, et ne forcez pas lors son insertion ou de son retrait. Utilisez vos doigts pour insérer et retirer la carte.
- Risque de perte de données et d'enregistrements corrompus. Ne retirez pas la carte SD pendant que le produit fonctionne. Démontez la carte SD de la page Web du produit avant de la retirer.

AXIS Q16 Network Camera Series

Cet appareil est compatible avec des cartes microSD/microSDHC/microSDXC (cartes non fournie).

Pour des recommandations sur les cartes SD, consultez www.axis.com

Boutons

Bouton de commande

Pour connaître l'emplacement du bouton de commande, consultez *Vue d'ensemble du produit* page 26.

Le bouton de commande permet de réaliser les opérations suivantes :

- Activation de l'assistant de mise au point. Appuyez et relâchez aussitôt le bouton de commande.
- Réinitialisation du produit aux paramètres d'usine par défaut. Cf. *page 30*.
- Connexion au service du Système d'hébergement vidéo AXIS. Pour en savoir plus sur ce service, consultez le site axis.com.

Bouton Fonction

Le bouton Fonction permet de réaliser les opérations suivantes :

- **Assistant de nivellement** : cette fonction permet de s'assurer que la caméra est à niveau. Appuyez sur le bouton pendant environ 3 secondes pour démarrer l'assistant de nivellement et appuyez une nouvelle fois pour le désactiver. Le voyant d'état et le signal sonore vous aident lors du nivellement de la caméra, voir *Comportement du voyant d'état et du signal sonore pour l'assistant de nivellement* page 33. Lorsque l'avertisseur émet un signal sonore continu, cela signifie que la caméra est mise à niveau.
- **Assistant de mise au point** : cette fonction est utilisée pour activer l'assistant de mise au point. Pour activer l'assistant de mise au point, appuyez sur le bouton et relâchez-le très rapidement. Pour quitter l'assistant de mise au point, appuyez à nouveau sur le bouton. Pour en savoir plus, accédez à .

Connecteurs

Connecteur réseau

Connecteur Ethernet RJ45 avec l'alimentation par Ethernet (PoE).

AVIS

les réglementations locales ou les conditions environnementales et électriques dans lesquelles le produit est utilisé peuvent nécessiter l'utilisation d'un câble réseau blindé (STP). Tous les câbles réseau qui sont acheminés à l'extérieur ou dans des environnements

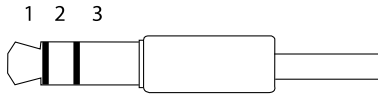
électriques exigeants doivent être destinés à leur usage spécifique. Assurez-vous que les périphériques réseau sont installés conformément aux instructions du fabricant. Pour plus d'informations sur les exigences réglementaires, consultez *Electromagnetic compatibility (EMC) on page 4*.

Connecteur audio

Le produit Axis dispose des connecteurs audio suivants :

- **Entrée audio (rose)** – entrée de 3,5 mm pour microphone mono ou signal d'entrée mono.
- **Sortie audio (verte)** : sortie de 3,5 mm (sortie de ligne) qui peut être connectée à un système de sonorisation (PA) ou à un haut-parleur actif avec amplificateur intégré. Il est recommandé d'utiliser un connecteur stéréo pour la sortie audio.

Connecteurs audio 3,5 mm (stéréo)



	1 Pointe	2 Anneau	3 Manchon
Entrée audio	Équilibré : Entrée micro/ligne point chaud Déséquilibré : Entrée micro/ligne	Équilibré : Entrée micro/ligne point froid Déséquilibré : Inutilisé	Masse
Sortie audio	Sortie de ligne, mono	Sortie de ligne, mono	Masse

Le microphone interne est utilisé par défaut ; le microphone externe est utilisé lorsqu'il est connecté. Il est possible de désactiver le microphone interne en posant un bouchon sur l'entrée microphone.

Connecteur d'E/S

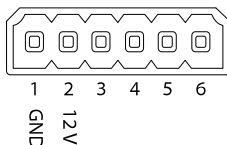
Utilisez le connecteur d'E/S avec des périphériques externes, associés aux applications telles que la détection de mouvement, le déclenchement d'événements et les notifications d'alarme. En plus du point de référence 0 V CC et de l'alimentation (sortie CC), le connecteur d'E/S fournit une interface aux éléments suivants :

Entrée numérique – Pour connecter des dispositifs pouvant passer d'un circuit ouvert à un circuit fermé, par exemple capteurs infrarouge passifs, contacts de porte/fenêtre et détecteurs de bris de verre.

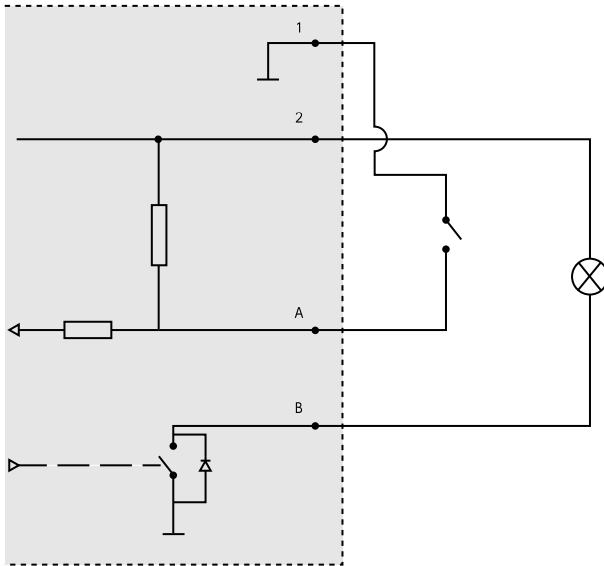
AXIS Q16 Network Camera Series

Sortie numérique – Permet de connecter des dispositifs externes, comme des relais ou des voyants. Les appareils connectés peuvent être activés par l'interface de programmation VAPIX® ou dans les pages Web des produits.

Bloc terminal à 6 broches



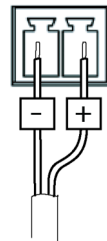
Fonction	B-ro-che	Remarques	Caractéristiques
0 V CC (-)	1	Masse CC	0 V CC
Sortie CC	2	Peut servir à alimenter le matériel auxiliaire. Remarque : cette broche ne peut être utilisée que comme sortie d'alimentation.	12 V CC Charge max. = 50 mA
Configurable (entrée ou sortie)	3-6	Entrée numérique – Connectez-la à la broche 1 pour l'activer ou laissez-la flotter (déconnectée) pour la désactiver.	0 à 30 V CC max.
		Sortie numérique – Connectée à la broche 1 lorsqu'elle est activée, flotte (déconnectée) lorsqu'elle est désactivée. Si vous l'utilisez avec une charge inductive, par exemple un relais, une diode doit être connectée en parallèle avec la charge, en guise de protection contre les tensions transitoires.	0 à 30 V CC max., drain ouvert, 100 mA



- 1 0 V CC (-)
- 2 Sortie CC 12 V, maxi. 50 mA
- A Entrée/sortie configurée comme entrée
- B Entrée/sortie configurée comme sortie

Connecteur d'alimentation

Bloc terminal à 2 broches pour l'alimentation CC. Utilisez une source d'alimentation limitée (LPS) conforme aux exigences de Très basse tension de sécurité (TBTS) dont la puissance de sortie nominale est limitée à ≤ 100 W ou dont le courant de sortie nominal est limité à ≤ 5 A.



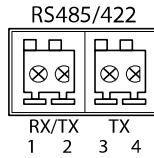
Connecteur RS485/RS422

Deux blocs terminaux à 2 broches pour l'interface série RS485/RS422 utilisée pour commander les équipements auxiliaires, tels que les dispositifs panoramique/inclinaison.

AXIS Q16 Network Camera Series

Le port série peut être configuré pour la prise en charge de :

- RS485 semi-duplex sur deux fils
- RS485 duplex intégral sur quatre fils
- RS422 simplex sur deux fils
- RS422 duplex intégral sur quatre fils pour communication point à point



Fonction	Broche	Notes
RS485B alt RS485/422 RX(B)	1	Paire RX pour tous les modes (RX/TX combiné pour RS485 à 2 fils)
RS485A alt RS485/422 RX(A)	2	
RS485/RS422 TX(B)	3	Paire TX pour RS422 et RS485 à 4 fils
RS485/RS422 TX(A)	4	

Important

La longueur maximale de câble est de 30 mètres (98 pieds).

Informations sur la sécurité

Niveaux de risques

▲DANGER

Indique une situation dangereuse qui, si elle n'est pas évitée, entraînera le décès ou des blessures graves.

▲AVERTISSEMENT

Indique une situation dangereuse qui, si elle n'est pas évitée, pourrait entraîner le décès ou des blessures graves.

▲ATTENTION

Indique une situation dangereuse qui, si elle n'est pas évitée, pourrait entraîner des blessures légères ou modérées.

AVIS

Indique une situation qui, si elle n'est pas évitée, pourrait endommager l'appareil.

Autres niveaux de message

Important

Indique les informations importantes, nécessaires pour assurer le bon fonctionnement de l'appareil.

Note

Indique les informations utiles qui permettront d'obtenir le fonctionnement optimal de l'appareil.

Consignes de sécurité

AVIS

- Le produit Axis doit être utilisé conformément aux lois et règlements locaux.
- Axis recommande d'utiliser un câble réseau blindé (STP) CAT5 ou supérieur.
- Pour pouvoir utiliser le produit Axis à l'extérieur, ou dans des environnements similaires, il doit être installé dans un boîtier d'extérieur homologué.
- Conserver ce produit Axis dans un environnement sec et ventilé.
- Ne pas exposer ce produit Axis aux chocs ou aux fortes pressions.
- Ne pas installer ce produit sur des poteaux, supports, surfaces ou murs instables.
- Utiliser uniquement des outils recommandés pour l'installation de l'appareil Axis. L'application d'une force excessive sur l'appareil avec des outils puissants pourrait l'endommager.
- Ne pas utiliser de produits chimiques, de substances caustiques ou de nettoyeurs pressurisés.
- Utiliser un chiffon propre imbibé d'eau pure pour le nettoyage.
- Utiliser uniquement des accessoires conformes aux caractéristiques techniques de votre produit. Ils peuvent être fournis par Axis ou un tiers. Axis recommande d'utiliser un équipement d'alimentation Axis compatible avec votre produit.
- Utiliser uniquement les pièces de rechange fournies ou recommandées par Axis.
- Ne pas essayer de réparer vous-même ce produit. Contacter l'assistance technique d'Axis ou votre revendeur Axis pour des problèmes liés à l'entretien.
- L'alimentation électrique doit être branchée à une prise de courant installée près de l'équipement et être facilement accessible.
- Utilisez une source d'alimentation limitée (LPS) dont la puissance de sortie nominale est limitée à ≤ 100 W ou dont le courant de sortie nominal est limité à ≤ 5 A.

Transport

AVIS

- Lors du transport du produit Axis, utilisez l'emballage d'origine ou un équivalent pour éviter d'endommager le produit.

Batterie

Le produit Axis utilise une batterie au lithium CR2032 3,0 V comme alimentation de son horloge en temps réel interne (RTC). Dans des conditions normales, cette batterie a une durée de vie minimale de cinq ans.

Si la batterie est faible, le fonctionnement de l'horloge en temps réel peut être affecté et entraîner sa réinitialisation à chaque mise sous tension. Un message enregistré apparaît dans le rapport de serveur du produit lorsque la batterie doit être remplacée. Pour tout complément d'information concernant le rapport de serveur, reportez-vous aux pages de Configuration du produit ou contactez l'assistance technique d'Axis.

La batterie doit être remplacée uniquement en cas de besoin, et pour ce faire, contactez l'assistance technique d'Axis à l'adresse axis.com/support et obtenir de l'aide.

Les piles boutons 3,0 V au lithium contiennent du 1,2-diméthoxyéthane, éthylène glycol diméthyl éther (EGDME), CAS N° 110-71-4.

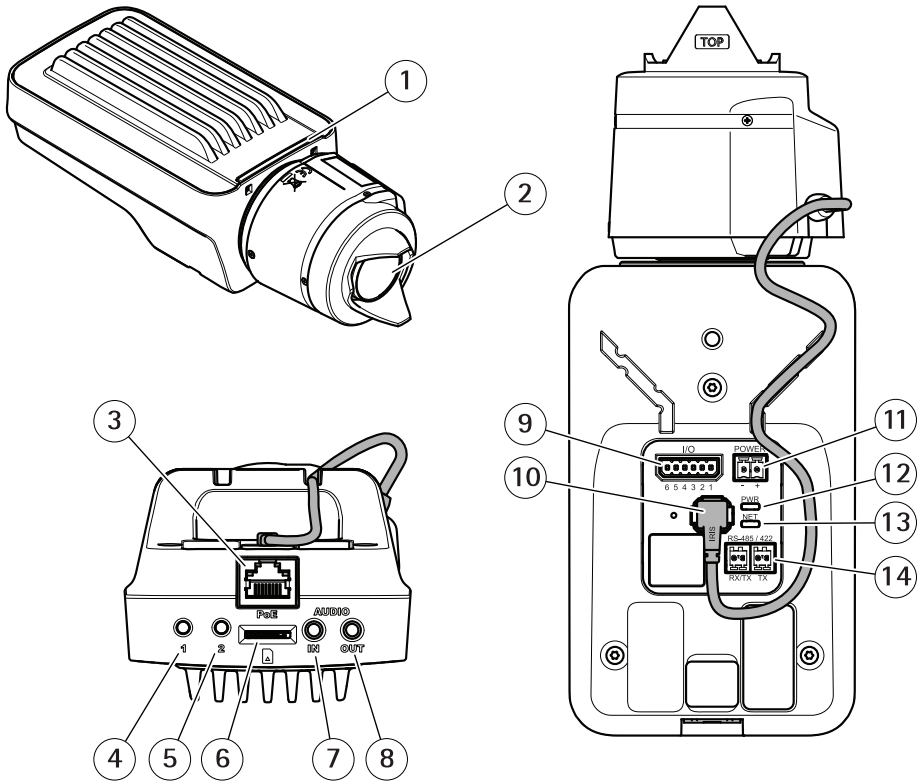
▲AVERTISSEMENT

- Risque d'explosion si la batterie est remplacée de façon incorrecte.
- Remplacez-la uniquement par une batterie identique ou une batterie recommandée par Axis.
- Mettez au rebut les batteries usagées conformément aux réglementations locales ou aux instructions du fabricant de la batterie.

Lieferumfang

- AXIS Q1645/Q1647 Network Camera
- Kamerastativ
- Inbusschlüssel Resitorx® 20
- Gedrucktes Material
 - Installationsanleitung (dieses Dokument)
 - Zusätzliche Aufkleber mit der Seriennummer (2 St.)
 - AVHS-Authentifizierungsschlüssel

Produktübersicht



- 1 LED-Statusanzeige
- 2 Objektiv
- 3 Netzwerkanschluss (PoE)
- 4 Steuertaste (1)
- 5 Funktionstaste (2)
- 6 microSD-Karteneinschub
- 7 Audioeingang
- 8 Audioausgang
- 9 E/A-Anschluss
- 10 Blendenanschluss
- 11 Netzanschluss
- 12 LED-Betriebsanzeige
- 13 LED-Netzwerkanzeige
- 14 RS485-/RS422-Anschluss

Installieren des Produkts

HINWEIS

Aufgrund örtlicher Vorschriften oder der umweltbedingten und elektrischen Bedingungen, unter denen das Produkt verwendet wird, kann ein abgeschirmtes Netzkabel (STP) empfehlenswert oder notwendig sein. Alle Netzkabel, die im Außenbereich oder in schwierigerem elektrischen Umfeld verlegt werden, müssen abgeschirmt sein und dürfen nur für die jeweilige Anwendung eingesetzt werden.

Beachten

- Sicherstellen, dass das Material stabil genug ist, das Gewicht der Kamera zu tragen.
 - Weitere technische Daten finden Sie im Datenblatt der Kamera auf www.axis.com
1. Die Wand oder Decke für die Installation des Stativs vorbereiten. Markieren Sie vor dem Bohren die Bohrlöcher mit dem Stativ als Vorlage.
 2. Führen Sie das Netzkabel durch die Wand/Decke. Lassen Sie zum Anschließen der Kamera ca. 30 cm Kabel frei.
 3. Wenn Zusatzgeräte angeschlossen werden sollen, wie etwa ein E/A- oder Audiogerät oder ein externes Netzteil, etwa 30 cm Kabel für das Anschließen der Kamera reservieren.
 4. Das Stativ an der Wand oder der Decke installieren. Dabei sicherstellen, dass die Schrauben und Dübel dem Material (Holz, Metall, Gipskarton, Stein etc.) entsprechen.
 5. Die Kamera am Stativ befestigen und die Schraube des Dreibeinstativs anziehen.
 6. Optional einen Aktivlautsprecher und/oder ein externes Mikrofon anschließen.
 7. Verbinden Sie die Kamera über ein abgeschirmtes Netzkabel mit dem Netzwerk.
 8. Schließen Sie die Kamera auf eine der folgenden Arten an die Stromversorgung an:
 - PoE (Power over Ethernet). PoE wird beim Anschließen des Netzkabels automatisch erkannt.
 - Verbinden Sie ein externes Netzteil mit dem Anschlussblock für die Stromversorgung. Siehe *Anschlüsse*.
 9. Überprüfen Sie, ob die LED-Anzeigen die Betriebszustände korrekt angeben. Für weitere Details siehe die Tabelle auf . Beachten Sie, dass die Status-LED so konfiguriert werden kann, dass sie bei normalem Betrieb nicht leuchtet.
 10. Optional eine microSD-Karte (nicht im Lieferumfang enthalten) in den SD-Kartensteckplatz einsetzen.
 11. Die Kamera in die gewünschte Richtung ausrichten und das Kugelgelenk mit dem mitgelieferten Inbusschlüssel Resitorx 20 fixieren.

HINWEIS

Um die Beschädigung von Aufzeichnungen zu verhindern, muss die SD-Karte vor dem mechanischen Auswerfen ausgehängt (deaktiviert) werden. Zum Aushängen auf der Weboberfläche **Settings > System > Storage (Einstellungen > System > Speicher)** aufrufen.

Zugriff auf das Produkt

Für die Suche nach Axis Produkten im Netzwerk und die Zuweisung einer IP-Adresse unter Windows® werden AXIS IP Utility und AXIS Camera Management empfohlen. Beide Anwendungen sind kostenlos und können von axis.com/support heruntergeladen werden.

Das Produkt kann mit den folgenden Browsern verwendet werden:

- Chrome™ (empfohlen), Firefox®, Edge® oder Opera® unter Windows®
- Chrome™ (empfohlen) und Safari® unter OS X®
- Chrome™ oder Firefox® unter anderen Betriebssystemen

Weitere Informationen zur Nutzung dieses Produkts finden Sie im Benutzerhandbuch auf axis.com.

Weitere Informationen zu empfohlenen Browsern finden Sie unter axis.com/browser-support

Einstellen von Fokus und Zoom

Wenn die Kamera so montiert ist, dass sich die Bildqualität nicht während des Einstellens des Objektivs prüfen lässt, den Fokus-Assistenten verwenden. Siehe .

1. Auf der Produktwebseite die Registerkarte **Bild** aufrufen.
2. **Zoom** einstellen.
3. Klicken Sie auf **Autofokus**.

Wechseln des Objektivs

1. Sämtliche Aufzeichnungen beenden und die Stromversorgung unterbrechen.
2. Das Objektivkabel abnehmen und das Standardobjektiv entfernen.
3. Das neue Objektiv anbringen und das Objektivkabel anschließen.
4. Die Stromversorgung wieder anschließen.
5. Auf der Produktwebseite die Registerkarte **Bild** aufrufen und die installierte **P-Iris** wählen.

Beachten

Für eine DC-Iris die Option **Allgemeine DC-Iris** wählen.

6. **Zoom** und **Fokus** einstellen.

Einstellen des Fokus und Zoom von optionalen Objektiven

Wenn die Kamera so montiert ist, dass sich die Bildqualität nicht während des Einstellens des Objektivs prüfen lässt, den Fokus-Assistenten verwenden. Siehe .

1. Auf der Produktwebseite die Registerkarte **Bild** aufrufen.

2. Den Zoomregler und den Schärferegler am Objektiv durch Drehen gegen den Uhrzeigersinn lösen. Siehe *Produktübersicht*.
3. Mithilfe der beiden Regler die Zoomstärke und die Bildschärfe einstellen. Die Bildqualität im Bildfenster prüfen.
4. Den Zoomregler und den Schärferegler wieder fixieren.
5. **Autofokus** anklicken.

Den Fokus mit dem Fokus-Assistenten einstellen

Beachten

DE

Nur anwendbar auf optionale Objektive mit P-Iris, DC-Iris oder manueller Blende.

- Während der Fokussierung der Kamera muss das Sichtfeld der Kamera unverändert bleiben. Falls Sie die Kamera bewegen oder wenn ein Finger oder ein Gegenstand vor dem Objektiv platziert wird, müssen Sie die Schritte wiederholen.
 - Wenn Bewegungen vor der Kamera nicht vermieden werden können, den Fokus-Assistenten nicht verwenden.
1. Die Kamera so fixieren oder platzieren, dass sie nicht bewegt werden kann.
 2. Den Zoomregler durch Drehen gegen den Uhrzeigersinn lösen. Bewegen Sie den Regler und stellen Sie die Zoomstärke ein. Drehen Sie den Zoomregler wieder fest.
 3. Stellen Sie die Kamera auf die weiteste Fernfokus-Position ein, indem Sie den Schärferegler lösen und den Fokusring vollständig im Uhrzeigersinn drehen.
 4. Die Steuertaste kurz antippen. Wenn die Statusanzeige blinkt, ist der Fokus-Assistent aktiviert.
 5. Drehen Sie den Fokusring vorsichtig gegen den Uhrzeigersinn bis zum Anschlag.
 6. Drehen Sie den Fokusring langsam im Uhrzeigersinn, bis die Statusanzeige grün blinkt.
 7. Zum Beenden des Fokus-Assistenten drücken Sie erneut die Steuertaste. Wenn die Steuertaste nicht betätigt wird, schaltet sich der Fokus-Assistent nach 15 Minuten automatisch aus.
 8. Den Schärferegler wieder fixieren.
 9. Auf der Produktwebseite die Registerkarte **Bild** aufrufen.
 10. **Autofokus** anklicken und die Installationsanweisungen des Assistenten befolgen.

Zurücksetzen auf die werksseitigen Standardeinstellungen

Wichtig

Die Funktion zum Zurücksetzen auf die werksseitigen Standardeinstellungen sollte mit Vorsicht verwendet werden. Mit dieser Funktion werden alle Einstellungen einschließlich der IP-Adresse auf die werksseitigen Standardeinstellungen zurückgesetzt.

So wird das Produkt auf die werksseitigen Standardeinstellungen zurückgesetzt:

1. Trennen Sie das Produkt von der Stromversorgung.
2. Halten Sie die Steuertaste gedrückt und stellen Sie die Stromversorgung wieder her. Siehe *Produktübersicht*.
3. Halten Sie die Steuertaste etwa 15 bis 30 Sekunden gedrückt, bis die Status-LED gelb blinkt.
4. Lassen Sie die Steuertaste los. Der Vorgang ist abgeschlossen, wenn die Status-LED grün leuchtet. Das Produkt wurde auf die Werkseinstellungen zurückgesetzt. Wenn kein DHCP-Server im Netzwerk verfügbar ist, lautet die Standard-IP-Adresse 192.168.0.90.
5. Verwenden Sie die Software-Tools für Installation und Verwaltung, um eine IP-Adresse zuzuweisen, ein Kennwort einzurichten und auf den Videostream zuzugreifen. Die Softwaretools für die Installation und Verwaltung stehen auf den Supportseiten unter axis.com/support zur Verfügung.

Weitere Informationen

- Die aktuelle Version dieses Dokuments finden Sie auf axis.com
- Das Benutzerhandbuch steht auf axis.com zur Verfügung.
- Unter axis.com/support finden Sie die aktuellen Firmwareversionen für Ihre Produkte.
- Nützliches Onlinetraining und Webinare finden Sie unter axis.com/academy.

Optionales Zubehör

Eine vollständige Liste lieferbaren Zubehörs für dieses Produkt finden Sie auf axis.com unter Produkt, Software und Zubehör.

Technische Daten

Die aktuelle Version der technischen Daten des Produkts finden Sie auf axis.com unter Produkt, Support und Dokumentation.

LED-Anzeigen

Beachten

- Die LED-Statusanzeige kann so eingestellt werden, dass sie bei einem aktiven Ereignis blinkt.

LED-Statusanzeige	Bedeutung
Grün	Leuchtet bei Normalbetrieb grün.
Gelb	Leuchtet beim Start. Blinkt beim Wiederherstellen der Einstellungen.

Netzwerk-LED	Bedeutung
Grün	Leuchtet konstant bei Verbindung mit einem 100 MBit/s-Netzwerk. Blinkt bei Netzwerkaktivität.
Gelb	Leuchtet konstant bei Verbindung mit einem 10 MBit/s-Netzwerk. Blinkt bei Netzwerkaktivität.
Leuchtet nicht	Keine Netzwerkverbindung vorhanden

Netz-LED	Bedeutung
Grün	Normaler Betrieb
Gelb	Blinkt grün/gelb während einer Firmware-Aktualisierung

Verhalten der LED-Statusanzeige für den Fokus-Assistenten

Beachten

Nur anwendbar auf optionale Objektive mit P-Iris, DC-Iris oder manueller Blende.

Die Status-LED blinkt, wenn der Fokus-Assistent aktiviert ist.

Farbe	Bedeutung
Rot	Bild unscharf. Objektiv einstellen.
Gelb	Bild nahezu scharf. Feineinstellung des Objektivs vornehmen.
Grün	Bild scharf.

Summton für den Fokus-Assistenten

Beachten

Nur anwendbar auf optionale Objektive mit P-Iris, DC-Iris oder manueller Blende.

Summer	Objektiv
Kurzes Intervall	Optimal eingestellt
Mittellanges Intervall	Nicht ganz optimal eingestellt
Langes Intervall	Unzureichend eingestellt

Verhalten der LED-Statusanzeige und Summton für den Ausrichtungsassistenten

Informationen zur Verwendung der Funktionstaste bei der Ausrichtung der Kamera finden Sie unter *Seite 52*.

Halten Sie die Funktionstaste (2) zum Ausrichten der Kamera länger als 2 Sekunden gedrückt.

- Wenn die Kamera korrekt ausgerichtet ist, leuchten beide LEDs grün, und der Summton ertönt durchgehend.
- Wenn die Kamera nicht korrekt ausgerichtet ist, blinken die LEDs rot, grün und orange, und der Summton ertönt in langen Intervallen.

Beide LEDs blinken kurz grün auf, um anzuzeigen, dass sich die Ausrichtung verbessert.

Einschub für SD-Speicherkarte

HINWEIS

- Gefahr von Schäden an der SD-Karte. Beim Einsetzen oder Entfernen der SD-Karte keine scharfen Werkzeuge oder Gegenstände aus Metall benutzen und keine übermäßige Kraft anwenden. Setzen Sie die Karte per Hand ein. Das Gleiche gilt für das Entfernen.
- Gefahr von Datenverlust und Beschädigung von Aufzeichnungen. Die SD-Karte darf nicht entfernt werden, während das Produkt in Betrieb ist. Vor dem Ausbau der SD-Karte diese von Webseite des Produkts trennen.

Dieses Produkt unterstützt microSD-/microSDHC-/microSDXC-Karten (separat erhältlich).

Empfehlungen zu SD-Karten finden Sie auf axis.com.

Tasten

Steuertaste

Zur Lage der Steuertaste, siehe *Produktübersicht auf Seite 44*.

Die Steuertaste hat folgende Funktionen:

- Den Fokusassistenten aktivieren Die Steuertaste kurz betätigen und sofort wieder loslassen.
- Zurücksetzen des Produkts auf die Werkseinstellungen. Siehe *Seite 48*.
- Anschließen an einen AXIS Video Hosting System-Service Weitere Informationen zu diesem Dienst finden Sie auf axis.com.

Funktionstaste

Die Funktionstaste hat mehrere Aufgaben:

- **Ausrichtungsassistent:** Diese Funktion unterstützt Sie bei der Ausrichtung der Kamera. Drücken Sie die Taste ca. 3 Sekunden lang, um den Ausrichtungsassistenten zu starten. Drücken Sie die Taste erneut, um den Ausrichtungsassistenten zu deaktivieren. Die Status LED und der Summton unterstützen Sie bei der Ausrichtung der Kamera (siehe *Verhalten der LED-Statusanzeige und Summton für den Ausrichtungsassistenten auf Seite 51*). Die Kamera ist korrekt ausgerichtet, wenn der Summton durchgehend ertönt.
- **Fokus-Assistent:** Mit dieser Funktion wird der Fokus-Assistent aktiviert. Um den Fokus-Assistenten zu aktivieren, die Taste ganz kurz betätigen. Zum Beenden des Fokus-Assistenten die Taste erneut betätigen.

Weitere Informationen finden Sie hier:

Anschlüsse

Netzwerkanschluss

RJ45-Ethernetanschluss mit Power over Ethernet (PoE).

HINWEIS

Aufgrund örtlicher Vorschriften bzw. je nach Umgebung oder elektrischer Anlage, in/mit der das Produkt verwendet wird, kann ein abgeschirmtes Netzkabel (STP) empfehlenswert oder notwendig sein. Alle Netzkabel des Produkts, die im Außenbereich oder in anspruchsvollen elektrischen Umgebungen verlegt werden, müssen hierfür ausgelegt sein. Stellen Sie sicher, dass die Netzwerkgeräte gemäß den Anweisungen des Herstellers

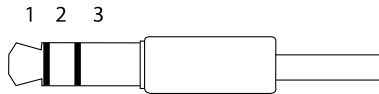
installiert wurden. Informationen zu gesetzlichen Bestimmungen finden Sie unter *Electromagnetic compatibility (EMC) on page 4.*

Audioanschlüsse

Das Axis Produkt ist mit den folgenden Audioanschlüssen ausgestattet:

- **Audioeingang (rosa)** – 3,5-mm-Anschluss für ein Monomikrofon oder ein Monosignal.
- **Audioausgang (grün)** – 3,5-mm-Audioausgang (Leitungspegel) zum Anschließen einer Rundrufanlage (PA) oder eines Aktivlautsprechers mit integriertem Verstärker. Für den Audioausgang empfiehlt sich die Verwendung eines Stereosteckers.

3,5-mm-
Audioanschlüsse
(Stereo)



	1 Spitze	2 Ring	3 Schaft
Audioeingang	Symmetrisch: „Hot“-Mikrofon-/Leitungseingang Unsymmetrisch: Mikrofon-/Leitungseingang	Symmetrisch: „Cold“-Mikrofon-/Leitungseingang Unsymmetrisch: Nicht belegt	Masse
Audioausgang	Leitungsausgang, Mono	Leitungsausgang, Mono	Masse

Das interne Mikrofon wird standardmäßig verwendet. Das externe Mikrofon wird verwendet, wenn es angeschlossen ist. Das interne Mikrofon kann deaktiviert werden, indem ein Stecker in den Mikrofoneingang gesteckt wird.

E/A-Anschluss

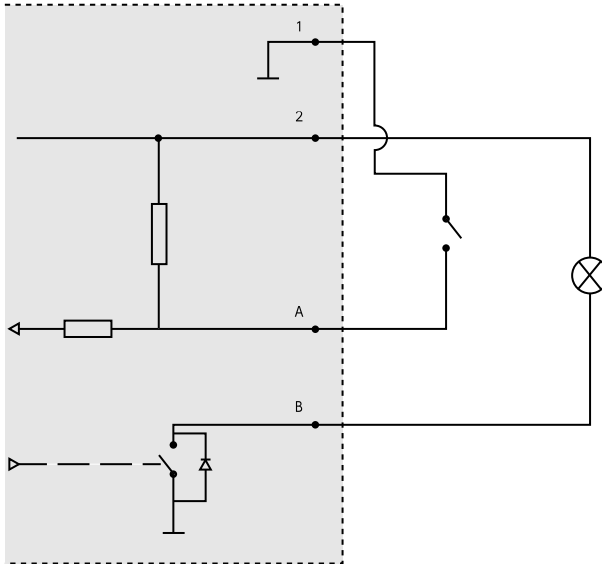
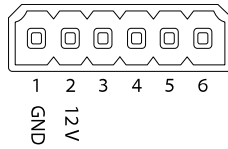
Über den E/A-Anschluss werden externe Geräte in Verbindung mit Manipulationsalarmen, Bewegungserkennung, Ereignisauslösung, Alarmbenachrichtigungen und anderen Funktionen angeschlossen. Außer dem Bezugspunkt 0 V Gleichstrom und Strom (Gleichstromausgang) besitzt der E/A-Anschluss über eine Schnittstelle zum:

Digitaleingang – Zum Anschluss von Geräten, die zwischen geöffnetem und geschlossenem Schaltkreis wechseln können wie etwa PIR-Sensoren, Tür- und Fensterkontakte sowie Glasbruchmelder.

Digitalausgang – Zum Anschluss externer Geräte wie Relais und LEDs. Angeschlossene Geräte können über das VAPIX® Application Programming Interface oder über die Produktwebsite aktiviert werden.

AXIS Q16 Network Camera Series

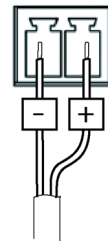
6-poliger Anschlussblock



- 1 0 V Gleichstrom (-)
- 2 Gleichstromausgang 12 V, max. 50 mA
- A E/A als Eingang konfiguriert
- B E/A als Ausgang konfiguriert

Netzanschluss

2-poliger Anschlussblock für die Gleichstromversorgung. Verwenden Sie eine mit den Anforderungen für Schutzkleinspannung (SELV) kompatible Stromquelle mit begrenzter Leistung (LPS) mit einer Nennausgangsleistung von ≤ 100 W oder einem dauerhaft auf ≤ 5 A begrenzten Nennausgangsstrom.

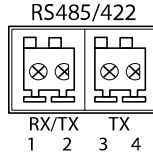


RS485-/RS422-Anschluss

Zwei 2-polige Anschlussblöcke für serielle Schnittstellen vom Typ RS485/RS422 zur Steuerung von Zusatzgeräten, beispielsweise zum Schwenken und Neigen.

Der serielle Anschluss kann in den folgenden Anschlussmodi konfiguriert werden:

- zweiadriger RS485-Halbduplex-Anschluss
- vieradriger RS485-Vollduplex-Anschluss
- zweiadriger RS422-Simplex-Anschluss
- vieradriger RS422-Vollduplex-Anschluss (Punkt-zu-Punkt-Verbindung)



DE

Funktion	Kontakt	Hinweise
RS485B alt RS485/422 RX(B)	1	RX-Paar für alle Modi (kombinierter RX/TX für RS485 mit 2 Leitern)
RS485A alt RS485/422 RX(A)	2	
RS-485/RS-422 TX(B)	3	TX-Paar für RS-422 und RS-485 mit vier Leitern
RS-485/RS-422 TX(A)	4	

Wichtig

Die maximale Kabellänge beträgt 30 m.

Sicherheitsinformationen

Gefährdungstufen

▲GEFAHR

Weist auf eine gefährliche Situation hin, welche, falls nicht verhindert, zu Tod oder schweren Verletzungen führen kann.

▲WARNUNG

Weist auf eine gefährliche Situation hin, welche, falls nicht verhindert, zu Tod oder schweren Verletzungen führen kann.

▲VORSICHT

Weist auf eine gefährliche Situation hin, welche, falls nicht verhindert, zu geringfügiger oder mäßiger Verletzung führen kann.

HINWEIS

Weist auf eine gefährliche Situation hin, welche, falls nicht verhindert, zu Sachschäden führen kann.

Andere Meldeebenen

Wichtig

Weist auf wichtige Informationen hin, die den richtigen Betrieb des Produkts gewährleisten.

Beachten

Weist auf nützliche Informationen hin, die die optimale Verwendung des Produkts unterstützen.

Sicherheitsanweisungen

HINWEIS

- Das Axis-Produkt muss unter Beachtung der geltenden Gesetze und Bestimmungen betrieben werden.
- Axis empfiehlt die Verwendung eines abgeschirmten Netzkabels (STP) der Kategorie 5 oder höher.
- Für den Einsatz von Axis-Produkten im Außenbereich oder ähnlichen Umgebungen müssen diese in für den Außenbereich zugelassenen Gehäusen installiert werden.
- Lagern Sie das Axis Produkt in einer trockenen und belüfteten Umgebung.
- Das Axis-Produkt weder Stößen noch starkem Druck aussetzen.
- Das Produkt nicht an instabilen Masten, Halterungen, Oberflächen oder Wänden anbringen.
- Verwenden Sie bei der Installation des Axis Produkts ausschließlich passende Werkzeuge. Ein zu großer Kraftaufwand mit elektrischen Werkzeugen kann das Produkt beschädigen.
- Verwenden Sie keine chemischen, ätzenden oder aerosolhaltigen Reinigungsmittel.
- Verwenden Sie zum Reinigen ein sauberes, mit destilliertem Wasser angefeuchtetes Tuch.
- Verwenden Sie nur Zubehör, das den technischen Vorgaben Ihres Produkts entspricht. Dieses ist von Axis oder Drittanbietern erhältlich. Axis empfiehlt die mit Ihrem Produkt kompatible Stromversorgung von Axis.
- Verwenden Sie ausschließlich Ersatzteile die von Axis angeboten oder empfohlen werden.
- Versuchen Sie nicht, dieses Produkt selbstständig zu reparieren. Wenden Sie sich bezüglich Reparatur und Wartung an den Axis Support oder Ihren Axis Händler.
- Das Netzteil sollte an eine Steckdose in der Nähe des Produkts angeschlossen werden und sollte leicht zugänglich sein.
- Verwenden Sie eine Stromquelle mit begrenzter Leistung (LPS), entweder mit einer Nennausgangsleistung von ≤ 100 W oder einem begrenzten Nennausgangsstrom von ≤ 5 A.

Transport

HINWEIS

- Bei Bedarf transportieren Sie das Axis Produkt in der Originalverpackung oder einer entsprechenden Verpackung, so dass Schäden vermieden werden.

Batterie

Das Axis-Produkt ist mit einer 3,0 V-CR2032-Lithium-Batterie ausgestattet, mit der die interne Echtzeituhr (RTC) versorgt wird. Unter normalen Bedingungen hat die Batterie eine Lebensdauer von mindestens fünf Jahren.

Eine ungenügend geladene Batterie beeinträchtigt den Betrieb der Echtzeituhr, die dann bei jedem Systemstart zurückgesetzt wird. Sie erhalten eine Protokollnachricht im Serverbericht des Produkts, wenn ein Batteriewechsel erforderlich ist. Weitere Informationen über den Serverbericht finden Sie auf den Setup-Seiten des Produkts, oder wenden Sie sich an den Axis Support.

Die Batterie nur bei Bedarf ersetzen. Wenden Sie sich in diesem Fall unter axis.com/support an den Support von Axis.

Lithium-Knopfzellen (3,0 V) enthalten 1,2-Dimethoxyethan; Ethylenglycoldimethylether (EGDME), CAS-Nr. 110-71-4.

⚠️ WARNUNG

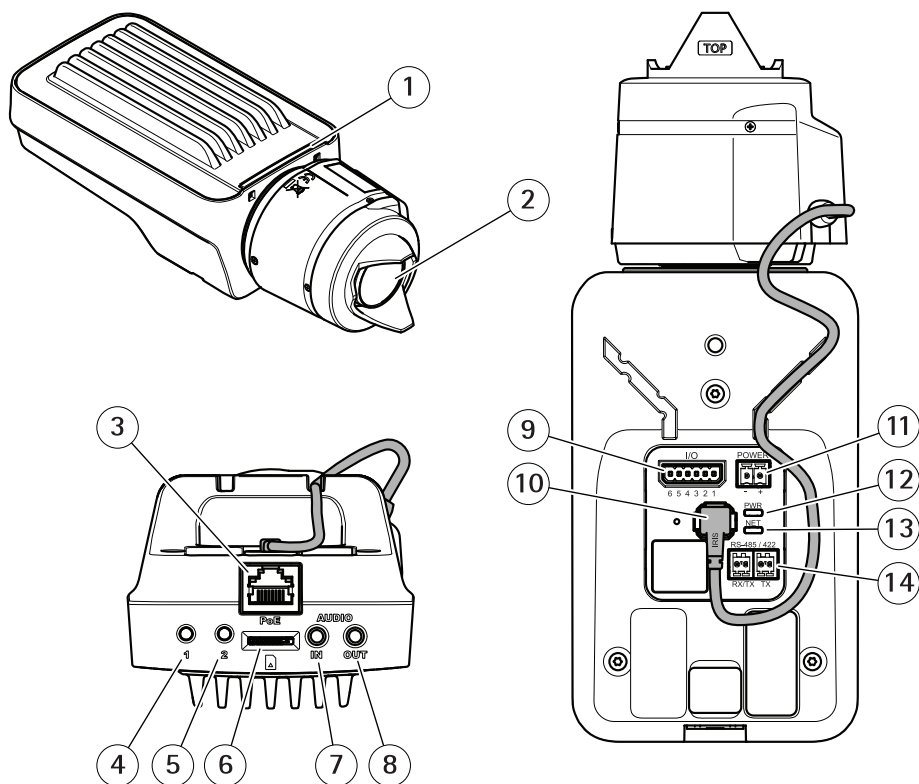
- Explosionsgefahr bei fehlerhaftem Batteriewechsel.
- Die Batterie darf nur durch eine identische Batterie oder eine von Axis empfohlene Batterie ersetzt werden.
- Verbrauchte Batterien sind gemäß den örtlichen Vorschriften oder den Anweisungen des Herstellers zu entsorgen.

DE

Contenuto della confezione

- AXIS Q1645/Q1647 Network Camera
- Piedistallo telecamera
- Chiave Allen Resistorx 20
- Documentazione
 - Guida all'installazione (il presente documento)
 - Etichetta aggiuntiva con numero di serie (2)
 - Chiave di autenticazione AVHS

Panoramica del dispositivo



- 1 *Indicatore LED di stato*
- 2 *Obiettivo*
- 3 *Connettore di rete (PoE)*
- 4 *Pulsante di comando (1)*
- 5 *Tasto Funzione (2)*
- 6 *Slot per scheda microSD*
- 7 *Ingresso audio*
- 8 *Uscita audio*
- 9 *Connettore I/O*
- 10 *Connettore del diaframma*
- 11 *Connettore di alimentazione*
- 12 *Indicatore LED di alimentazione*
- 13 *Indicatore LED di rete*
- 14 *Connettore RS485/RS422*

Come installare il dispositivo

AWISO

A causa di normative locali o condizioni ambientali ed elettriche in cui il prodotto deve essere utilizzato, può essere opportuno o necessario l'utilizzo di un cavo di rete schermato (STP). Eventuali cavi di rete posizionati all'aperto o in ambienti elettrici in condizioni difficili devono essere schermati (STP) e destinati al loro uso specifico.

Nota

- Assicurarsi che il materiale sia abbastanza solido per sostenere il peso della telecamera.
 - Per ulteriori specifiche tecniche, consultare la scheda tecnica della telecamera sul sito www.axis.com
1. Preparare la parete o il soffitto per l'installazione del gruppo piedistallo. Utilizzare il supporto per il montaggio a parete come profilo e contrassegnare i punti da trapanare.
 2. Far passare il cavo di rete attraverso la parete o il soffitto. Lasciare circa 30 cm (11,8 pollici) di cavo per il collegamento alla telecamera.
 3. In caso di connessione di un dispositivo ausiliario (ad esempio I/O, audio o alimentazione esterna) lasciare circa 30 cm di cavo per collegare la telecamera.
 4. Installare il supporto su parete o soffitto e assicurarsi che le viti e i connettori siano appropriati per il materiale (ad esempio legno, metallo, cartongesso, pietra).
 5. Installare la fotocamera sul supporto e serrare la vite del treppiedi.
 6. Collegare, facoltativamente, l'altoparlante attivo e/o il microfono esterno.
 7. Collegare la telecamera alla rete mediante un cavo di rete schermato.
 8. Collegare l'alimentazione mediante uno dei metodi elencati di seguito:
 - PoE (Power over Ethernet). PoE è rilevato automaticamente quando si collega il cavo di rete.
 - Collegare un alimentatore esterno alla basetta di alimentazione. Consultare *Connettori*.
 9. Verificare che i LED indicino le condizioni di funzionamento corrette. Per ulteriori dettagli, consultare la tabella a . Notare che è possibile configurare il LED di stato in modo che sia spento durante l'uso normale.
 10. Facoltativamente, inserire una scheda di memoria microSD (non inclusa) nello slot per schede di memoria.
 11. Orientare la telecamera nella giusta direzione e utilizzare la chiave Allen Resistorx 20 in dotazione per serrare il giunto a sfera.

AWISO

Per prevenire il danneggiamento delle registrazioni, la scheda di memoria deve essere smontata prima dell'espulsione. Per scollegare, andare su **Settings > System > Storage** (**Impostazioni > Sistema > Archiviazione**) nell'interfaccia web della telecamera.

Come accedere al dispositivo

AXIS IP Utility e AXIS Camera Management sono i metodi consigliati per trovare i dispositivi Axis in rete e assegnare loro un indirizzo IP in Windows®. Queste applicazioni sono entrambe gratuite e possono essere scaricate dal sito Web axis.com/support

Il dispositivo può essere utilizzato con i browser seguenti:

- Chrome™ (consigliato), Firefox®, Edge® oppure Opera® con Windows®
- Chrome™ (consigliato) o Safari® con OS X®
- Chrome™ o Firefox® con altri sistemi operativi.

Per ulteriori informazioni su come utilizzare il dispositivo, consultare il Manuale per l'utente disponibile all'indirizzo: axis.com

Per ulteriori informazioni sui browser consigliati, andare a axis.com/browser-support

Modalità di regolazione della messa a fuoco e dello zoom

Se la telecamera è montata in una posizione che non consente di controllare l'immagine e accedere all'obiettivo contemporaneamente, utilizzare l'Assistente di messa a fuoco; consultare .

1. Andare alla scheda **Image (Immagine)** sulla pagina Web del dispositivo.
2. Regolare la funzione **Zoom**.
3. Fare clic su **Autofocus (Messa a fuoco automatica)**.

Modalità di sostituzione dell'obiettivo

1. Interrompere tutte le registrazioni e scollegare l'alimentazione dal dispositivo.
2. Scollegare il cavo dell'obiettivo e rimuovere l'obiettivo standard.
3. Montare il nuovo obiettivo e collegare il relativo cavo.
4. Ricollegare l'alimentazione.
5. Andare alla scheda **Image (Immagine)** nella pagina Web del dispositivo e selezionare **P-Iris lens (Obiettivo P-Iris)** appena installato.

Nota

Se si utilizza un obiettivo con diaframma DC, selezionare **Generic DC Iris (Diaframma DC generico)**.

6. Regolare lo zoom e la messa a fuoco.

Modalità di regolazione della messa a fuoco e dello zoom per gli obiettivi opzionali

Se la telecamera è montata in una posizione che non consente di controllare l'immagine e accedere all'obiettivo contemporaneamente, utilizzare l'Assistente di messa a fuoco; consultare .

1. Andare alla scheda **Image (Immagine)** sulla pagina Web del dispositivo.
2. Allentare le levette dello zoom e della messa a fuoco sull'obiettivo ruotandole in senso antiorario. Consultare *Panoramica del dispositivo*.
3. Spostare le levette per impostare lo zoom e la messa a fuoco, quindi controllare la qualità dell'immagine nella relativa finestra.
4. Riavvitare le levette di zoom e di messa a fuoco.
5. Fare clic su **Autofocus (Messa a fuoco automatica)**.

IT

Modalità di regolazione della messa a fuoco con l'Assistente di messa a fuoco

Nota

Valido solo per obiettivi con P-Iris, diaframma DC o manuale.

- Verificare che la scena davanti alla telecamera non cambi durante la regolazione della messa a fuoco. Se si sposta la telecamera o si colloca un dito o un altro oggetto davanti all'obiettivo, sarà necessario ripetere la procedura.
 - Se non è possibile evitare movimenti davanti alla telecamera, non utilizzare l'Assistente di messa a fuoco.
1. Installare o collocare la telecamera in un luogo da cui non possa essere spostata.
 2. Allentare la levetta dello zoom ruotandolo in senso antiorario. Spostare la levetta per impostare il livello di zoom. Riposizionare la levetta dello zoom.
 3. Impostare la telecamera nella posizione corrispondente alla massima distanza di messa a fuoco allentando la levetta di regolazione della messa a fuoco e ruotando la ghiera di messa fuoco in senso orario fino in fondo.
 4. Premere e rilasciare velocemente il pulsante di comando. Se l'indicatore di stato inizia a lampeggiare, significa che Focus Assistant è abilitato.
 5. Ruotare delicatamente la ghiera di messa fuoco in senso antiorario fino all'arresto.
 6. Ruotare la ghiera di messa a fuoco lentamente in senso orario fino a quando l'indicatore di stato lampeggia in verde.
 7. Per uscire da Focus Assistant, premere nuovamente il tasto di comando. Se non è possibile accedere al pulsante di comando, l'Assistente di messa a fuoco si disattiva automaticamente dopo 15 minuti.
 8. Riavvitare l'estrattore di messa a fuoco.
 9. Andare alla scheda **Image (Immagine)** sulla pagina Web del dispositivo.

AXIS Q16 Network Camera Series

10. Fare clic su **Autofocus (Messa a fuoco automatica)** e seguire le istruzioni della procedura guidata.

Modalità di ripristino dei valori predefiniti di fabbrica

Importante

Il ripristino dei valori predefiniti di fabbrica deve essere utilizzato con cautela. Tale operazione consentirà di ripristinare le impostazioni predefinite di fabbrica per tutti i parametri, incluso l'indirizzo IP.

Per ripristinare il dispositivo alle impostazioni predefinite di fabbrica:

1. Scollegare l'alimentazione dal dispositivo.
2. Tenere premuto il pulsante di comando quando si ricollega l'alimentazione. Consultare *Panoramica del dispositivo*.
3. Tenere premuto il pulsante di comando per 15-30 secondi finché l'indicatore LED di stato non lampeggia in giallo.
4. Rilasciare il pulsante di comando. Il processo è completo quando l'indicatore del LED di stato diventerà verde. Il dispositivo è stato reimpostato alle impostazioni di fabbrica predefinite. Se nessun server DHCP è disponibile in rete, l'indirizzo IP predefinito è 192.168.0.90
5. Utilizzare gli strumenti per l'installazione e la gestione del software per assegnare un indirizzo IP, impostare la password e accedere al flusso video.

Gli strumenti per l'installazione e la gestione del software sono disponibili nelle pagine dedicate all'assistenza sul sito Web axis.com/support

Ulteriori Informazioni

- Per la versione più recente di questo documento, visitare il sito all'indirizzo axis.com
- Il manuale per l'utente è disponibile all'indirizzo axis.com
- Per verificare se sono stati pubblicati aggiornamenti del firmware per il proprio dispositivo, vedere axis.com/support
- Per servizi di formazione utili e webinar, visita il sito axis.com/academy

Accessori opzionali

Per un elenco completo degli accessori disponibili per questo dispositivo, andare alla pagina del dispositivo al sito axis.com e selezionare Software e accessori.

Specifiche

Per la versione più aggiornata della scheda tecnica del dispositivo, visitare il sito axis.com > [dispositivo] > Supporto e documentazione.

Indicatori LED

Nota

- Il LED di stato può essere configurato per lampeggiare quando un evento è attivo.

LED di stato	Indicazione
Verde	Luce verde fissa: condizioni di normale utilizzo.
Giallo	Luce fissa durante l'avvio. Lampeggia durante il ripristino delle impostazioni.

LED di rete	Indicazione
Verde	Luce fissa per connessione di rete a 100 Mbit/s. Luce lampeggiante: attività di rete.
Giallo	Luce fissa per connessione di rete a 10 Mbit/s. Luce lampeggiante: attività di rete.
Spento	Assenza di connessione.

LED di alimentazione	Indicazione
Verde	Funzionamento normale.
Giallo	Luce lampeggiante verde/gialla: aggiornamento firmware.

Comportamento del LED di stato per l'Assistente di messa a fuoco

Nota

Valido solo per obiettivi con P-Iris, diaframma DC o manuale.

Il LED di stato lampeggia quando l'Assistente di messa a fuoco è attivo.

Colore	Indicazione
Rosso	L'immagine è sfocata. Regolare l'obiettivo.
Giallo	L'immagine è vicino al fuoco. L'obiettivo deve essere regolato.
Verde	L'immagine è a fuoco.

Segnale acustico per l'Assistente di messa a fuoco

Nota

Valido solo per obiettivi con P-Iris, diaframma DC o manuale.

Segnale acustico	Obiettivo
Intervallo rapido	Regolato in modo ottimale
Intervallo medio	Regolato in modo meno ottimale
Intervallo lento	Regolato in modo improprio

Comportamento del LED di stato e del segnale acustico per l'Assistente di livellamento

Per informazioni sul tasto Funzione utilizzato per il livellamento della telecamera, vedere *pagina 71*.

Per posizionare orizzontalmente la telecamera, tenere premuto il tasto Funzione (2) per più di due secondi.

- Quando la telecamera è in posizione orizzontale, entrambi gli indicatori LED emettono una luce verde fissa e il segnale acustico è continuo.
- Quando la telecamera non è in posizione orizzontale, i LED lampeggiano ed emettono una luce rossa, verde e arancione e il segnale acustico viene emesso a intervalli brevi.

Entrambi i LED emettono brevemente una luce verde lampeggiante a indicare che il livellamento sta migliorando.

Slot per scheda di memoria

AVVISO

- Rischio di danneggiamento della scheda di memoria. Non utilizzare strumenti appuntiti oppure oggetti metallici e non esercitare eccessiva forza durante l'inserimento o la rimozione della scheda di memoria. Utilizzare le dita per inserire e rimuovere la scheda.
- Rischio di perdita di dati e danneggiamento delle registrazioni. Non rimuovere la scheda di memoria mentre il dispositivo è in funzione. Smontare la scheda di memoria dalle pagine Web del dispositivo prima di rimuoverla.

Questo dispositivo supporta schede microSD/microSDHC/microSDXC (scheda di memoria non inclusa).

Visitare axis.com per i consigli sulla scheda SD

Pulsanti

Pulsante di comando

Per l'ubicazione del pulsante di comando, vedere *Panoramica del dispositivo alla pagina 62*.

Il pulsante di comando viene utilizzato per:

- Abilitare l'Assistente di messa a fuoco. Premere e rilasciare molto rapidamente il pulsante di comando.
- Ripristino del dispositivo alle impostazioni predefinite di fabbrica. Consultare *pagina 67*.
- Collegarsi a un servizio AXIS Video Hosting System. Per ulteriori informazioni su questo servizio, vedere il sito axis.com

IT

Tasto Funzione

Il tasto Funzione può essere utilizzato per più finalità:

- **Leveling assistant (Assistente di livellamento):** questa funzione aiuta a garantire che la telecamera sia in posizione orizzontale. Premere il tasto per circa 3 secondi per avviare l'Assistente di livellamento e premerlo nuovamente per interrompere questa funzione. Il LED di stato e il segnale acustico sono di ausilio nel livellamento della telecamera, vedere *Comportamento del LED di stato e del segnale acustico per l'Assistente di livellamento alla pagina 70*. La telecamera è in posizione orizzontale quando il segnale acustico è continuo.
- **Focus assistant (Assistente di messa a fuoco):** questa funzione viene utilizzata per abilitare l'Assistente di messa a fuoco. Per abilitare l'Assistente di messa a fuoco, premere e rilasciare molto rapidamente il tasto. Per uscire dall'Assistente di messa a fuoco, premere nuovamente il tasto.
Per ulteriori informazioni, consultare .

Connettori

Connettore di rete

Connettore Ethernet RJ45 con Power over Ethernet (PoE+).

AWISO

A causa di normative locali o condizioni ambientali ed elettriche in cui il dispositivo deve essere utilizzato, può essere opportuno o necessario l'utilizzo di un cavo di rete schermato

(STP). Tutti i cavi di rete del dispositivo posizionati all'aperto o in ambienti elettrici in condizioni difficili sono destinati al loro uso specifico. Accertarsi che i dispositivi di rete siano installati secondo le istruzioni del produttore. Per maggiori informazioni sui requisiti normativi, consultare *Electromagnetic compatibility (EMC) on page 4*.

Connettore audio

Il dispositivo Axis dispone dei seguenti connettori audio:

- **Ingresso audio (rosa)** - Ingresso audio da 3,5 mm per microfono in mono o segnale mono line-in.
- **Uscita audio (verde)**: uscita audio da 3,5 mm (livello di linea) che può essere connessa a un sistema di indirizzo pubblico (PA) o a un altoparlante attivo con amplificatore integrato. Si consiglia di utilizzare un connettore stereo per l'uscita audio.

Connettori audio da
3,5 mm (stereo)



	1 Punta	2 Anello	3 Guaina
Ingresso audio	Bilanciato: Ingresso microfono segnale "Hot"/linea Non bilanciato: Ingresso microfono/linea	Bilanciato: Ingresso microfono segnale "Cold"/linea Non bilanciato: Inutilizzato	Terra
Uscita audio	Uscita linea, mono	Uscita linea, mono	Terra

Il microfono interno viene utilizzato per impostazione predefinita; il microfono esterno viene utilizzato quando è connesso. È possibile disabilitare il microfono interno collegando una spina all'ingresso del microfono.

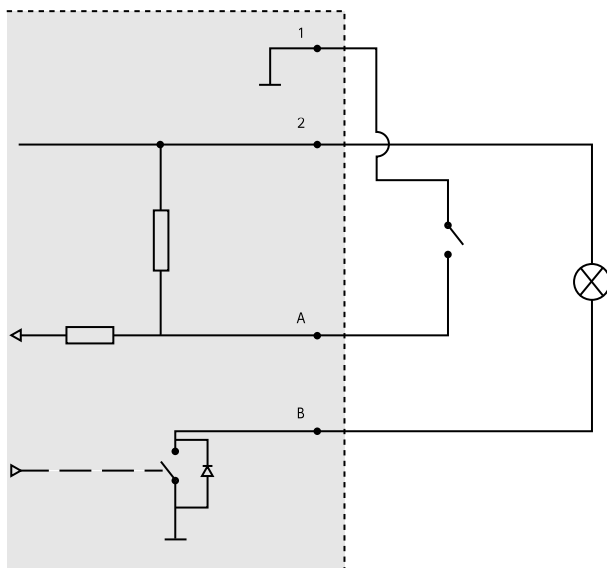
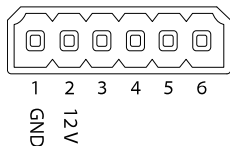
Connettore I/O

Utilizzare il connettore I/O con dispositivi esterni in combinazione con, ad esempio, rilevamento movimento, attivazione di eventi e notifiche di allarme. Oltre al punto di riferimento 0 V CC e all'alimentazione (uscita CC), il connettore I/O fornisce l'interfaccia per:

Ingresso digitale – Per il collegamento di dispositivi che possono passare dal circuito chiuso al circuito aperto, ad esempio i sensori PIR, i contatti porta/finestra e i rilevatori di rottura.

Uscita digitale – Per il collegamento di dispositivi esterni come relè e LED. I dispositivi collegati possono essere attivati tramite l'API (interfaccia per la programmazione di applicazioni) VAPIX® oppure nella pagina Web del dispositivo.

Morsetteria a 6 pin

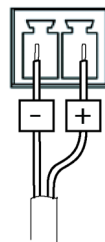


- 1 0 V CC (-)
- 2 Uscita CC 12 V, max 50 mA
- A I/O configurato come input
- B I/O configurato come uscita

IT

Connettore di alimentazione

Morsettiera a 2 pin per ingresso alimentazione CC. Utilizzare una sorgente di alimentazione limitata (LPS) compatibile con una bassissima tensione di sicurezza (SELV) con una potenza di uscita nominale limitata a ≤ 100 W o una corrente nominale di uscita limitata a ≤ 5 A.

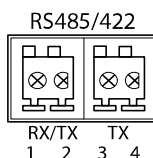


Connettore RS485/RS422

Due morsettiera a 2 pin per l'interfaccia seriale RS485/RS422 utilizzate per il controllo di periferiche ausiliarie come i dispositivi di rotazione/inclinazione.

La porta seriale può essere configurata per supportare:

- RS485 a due fili, half-duplex
- RS485 a quattro fili, full-duplex
- RS422 a due fili, simplex
- Comunicazione full-duplex punto a punto con RS422 a quattro fili



Funzione	Pin	Note
RS485B alt RS485/422 RX(B)	1	Coppia RX per tutte le modalità (RX/TX combinata per RS485 con due cavi)
RS485A alt RS485/422 RX(A)	2	
RS485/RS422 TX(B)	3	Coppia TX per RS422 e RS485 con quattro cavi
RS485/RS422 TX(A)	4	

Importante

La lunghezza del cavo massima è di 30 m.

Informazioni di sicurezza

Livelli di pericolo

▲PERICOLO

Indica una situazione pericolosa che, se non evitata, provoca morte o lesioni gravi.

▲AVVERTENZA

Indica una situazione pericolosa che, se non evitata, potrebbe provocare la morte o lesioni gravi.

▲ATTENZIONE

Indica una situazione pericolosa che, se non evitata, potrebbe provocare lesioni medie o minori.

AWISO

Indica una situazione che, se non evitata, potrebbe danneggiare la proprietà.

IT

Altri livelli di messaggio

Importante

Indica informazioni importanti, essenziali per il corretto funzionamento del dispositivo.

Nota

Indica informazioni utili che aiutano a ottenere il massimo dal dispositivo.

Informazioni di sicurezza

AVISO

- Il dispositivo Axis deve essere utilizzato in conformità alle leggi e alle disposizioni locali.
- Axis consiglia l'uso di un cavo di rete schermato (STP) CAT5 o superiore.
- Per utilizzare il dispositivo Axis in ambienti esterni o in ambienti simili, deve essere installato in una custodia per esterni approvata.
- Conservare il dispositivo Axis in un ambiente asciutto e ventilato.
- Evitare di esporre il dispositivo Axis a urti o pressioni eccessive.
- Non installare il dispositivo su supporti, superfici, pareti o pali instabili.
- Utilizzare solo strumenti applicabili quando si installa il dispositivo Axis. Se si utilizza una forza eccessiva con strumenti non adatti è possibile causare danni al dispositivo.
- Non utilizzare sostanze chimiche, agenti caustici o detergenti aerosol.
- Utilizzare un panno pulito inumidito in acqua pura per la pulizia.
- Utilizzare solo accessori compatibili con le specifiche tecniche del dispositivo. Questi possono essere forniti da Axis o da terze parti. Axis consiglia l'uso dell'apparecchiatura di alimentazione Axis compatibile con il dispositivo.
- Utilizzare solo parti di ricambio fornite o consigliate da Axis.
- Non tentare di riparare il dispositivo da soli. Contattare l'assistenza o il rivenditore Axis per questioni relative alla manutenzione.
- Il dispositivo dovrebbe essere collegato ad una presa di corrente vicina e facilmente accessibile.
- Utilizzare una sorgente di alimentazione limitata (LPS) con una potenza di uscita nominale limitata a ≤ 100 W o una corrente nominale di uscita limitata a ≤ 5 A.

Trasporto

AVISO

- Durante il trasporto del dispositivo Axis, utilizzare l'imballaggio originale o equivalente per evitare danni al dispositivo.

Batteria

Il dispositivo Axis utilizza una batteria al litio da 3,0 V CR2032 come alimentazione per il suo real-time clock (RTC) interno. In condizioni normali questa batteria avrà una durata minima di cinque anni.

Una bassa carica della batteria influisce sul funzionamento del RTC, facendolo resettare a ogni accensione. Quando la batteria deve essere sostituita, un messaggio di registro viene visualizzato

nel report server del dispositivo. Per ulteriori informazioni sul report server, vedere le pagine di configurazione del dispositivo o contattare l'assistenza Axis.

La batteria non deve essere sostituita se non richiesto, ma nel caso in cui questo fosse necessario, contattare il supporto Axis all'indirizzo axis.com/support per assistenza.

Batteria a bottone al litio 3,0 V contengono 1,2-dimetossietano; etere dimetilico di glicole etilenico (EGDME), CAS n. 110-71-4.

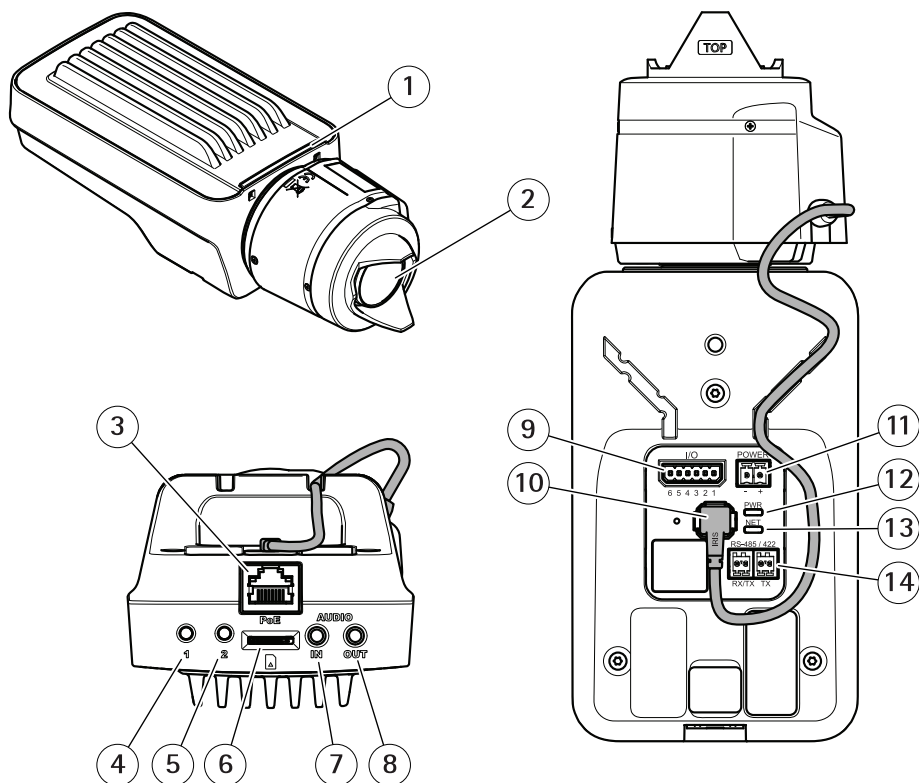
⚠AVVERTENZA

- Rischio di esplosione se la batteria viene sostituita in modo errato.
- Sostituire solo con una batteria identica o una batteria consigliata da Axis.
- Smaltire le batterie usate in base alle normative locali o alle istruzioni del produttore della batteria.

Contenido del paquete

- AXIS Q1645/Q1647 Network Camera
- Soporte de la cámara
- Llave Allen Resitorx 20
- Materiales impresos
 - Guía de instalación (este documento)
 - Etiquetas adicionales con el número de serie (2)
 - Clave de autenticación AVHS

Información general del producto



- 1 Indicador LED de estado
- 2 Objetivo
- 3 Conector de red (PoE)
- 4 Botón de control (1)
- 5 Botón de función (2)
- 6 Ranura para tarjetas microSD
- 7 Entrada de audio
- 8 Salida de audio
- 9 Conector de E/S
- 10 Conector de iris
- 11 Conector de alimentación
- 12 Indicador LED de alimentación
- 13 Indicador LED de red
- 14 Conector RS485/RS422

Cómo instalar el producto

AVISO

Debido a la normativa local o a las condiciones ambientales y eléctricas en las que se vaya a utilizar el producto, puede que sea adecuado u obligatorio el uso de un cable de red blindado (STP). Todos los cables de red que se utilicen en exteriores o en entornos eléctricos exigentes deberán estar blindados (STP) y diseñados para su uso específico.

Nota

- Asegúrese de que el material sea lo suficientemente resistente para soportar el peso de la cámara.
 - Si desea conocer más especificaciones técnicas, consulte la hoja de datos en www.axis.com
1. Prepare la pared o el techo para instalar el soporte. Utilice el soporte como una plantilla y marque la ubicación de los orificios antes de perforarlos.
 2. Guíe el cable de red a través de la pared o el techo. Deje unos 30 cm de cable aproximadamente para conectarlo a la cámara.
 3. Si se conecta un dispositivo auxiliar a la cámara, por ejemplo, un dispositivo de alimentación externo, un dispositivo de E/S o uno de audio, deje unos 30 cm de cable para conectarlo a la cámara.
 4. Instale el soporte en la pared o el techo y asegúrese de utilizar los tornillos y los tacos adecuados para el material (por ejemplo, madera, metal, placas de yeso o piedra).
 5. Instale la cámara en el soporte y apriete el tornillo del trípode.
 6. Si lo desea, conecte un altavoz activo o un micrófono externo.
 7. Conecte la cámara a la red mediante un cable de red blindado.
 8. Conecte la alimentación utilizando uno de los métodos enumerados a continuación:
 - Alimentación a través de Ethernet (PoE) El sistema detecta automáticamente la alimentación PoE cuando se conecta el cable de red.
 - Conecte un adaptador de corriente externo al bloque del conector de alimentación. Vea *Conectores*.
 9. Compruebe que los indicadores LED indican las condiciones correctas. Vea la tabla de la para obtener información detallada. Tenga en cuenta que el indicador LED puede configurarse de modo que esté apagado durante el funcionamiento normal.
 10. Si lo desea, inserte una tarjeta microSD (no incluida) en la ranura de tarjetas SD.
 11. Oriente la cámara en la dirección adecuada y utilice la llave Allen Resitorx 20 suministrada para apretar la junta esférica.

AVISO

Para evitar que las grabaciones resulten dañadas, es preciso desinstalar la tarjeta SD antes de expulsarla. Para desinstalarla, vaya a **Settings > System > Storage (Ajustes > Sistema > Almacenamiento)** en la interfaz web de la cámara.

Cómo acceder al producto

Se recomiendan AXIS IP Utility y AXIS Camera Management como métodos para buscar los productos de Axis en la red y asignarles direcciones IP en Windows®. Ambas aplicaciones son gratuitas y pueden descargarse desde axis.com/support

El producto se puede utilizar con los siguientes navegadores:

- Chrome™ (recomendado), Firefox®, Edge® u Opera® con Windows®
- Chrome™ (recomendado) o Safari® con OS X®
- Chrome™ o Firefox® con otros sistemas operativos.

Para obtener más información sobre cómo usar el producto, consulte el manual del usuario, disponible en axis.com.

Si necesita más información acerca de los navegadores recomendados, visite axis.com/browser-support

Cómo ajustar el enfoque y el zoom

Si la cámara está montada de manera que no se puede ver la imagen y acceder al objetivo al mismo tiempo, utilice el Asistente de enfoque; consulte .

1. Vaya a la pestaña **Image (Imagen)** en la página web del producto.
2. Ajuste el **Zoom**.
3. Haga clic en **Autofocus (Enfoque automático)**.

Sustitución del objetivo

1. Detenga todas las grabaciones y desconecte la alimentación del producto.
2. Desconecte el cable del objetivo y extraiga el objetivo estándar.
3. Coloque el objetivo nuevo y conecte el cable del objetivo.
4. Vuelva a conectar la alimentación.
5. Vaya a la pestaña **Image (Imagen)** en la página web del producto y seleccione **P-Iris lens (Objetivo iris de tipo P)** que ha instalado.

Nota

Si utiliza un objetivo iris de tipo DC, seleccione **Generic DC Iris (Iris de tipo DC genérico)**.

6. Ajuste el zoom y el enfoque.

Ajuste del enfoque y el zoom de objetivos opcionales

Si la cámara está montada de manera que no se puede ver la imagen y acceder al objetivo al mismo tiempo, utilice el Asistente de enfoque; consulte .

1. Vaya a la pestaña **Image (Imagen)** en la página web del producto.
2. Afloje los reguladores de zoom y enfoque del objetivo girándolos en sentido contrario a las agujas del reloj. Consulte *Información general del producto*.
3. Mueva los reguladores para establecer el zoom y el enfoque y compruebe la calidad de la imagen en la ventana de imagen.
4. Apriete de nuevo las palancas de zoom y enfoque.
5. Haga clic en **Autofocus (Enfoque automático)**.

Ajuste del enfoque con el Asistente de enfoque

Nota

Válido únicamente para objetivos opcionales iris de tipo P, DC o manual.

- La vista delante de la cámara no debe cambiar durante el ajuste del enfoque. Si la cámara se mueve, o si se coloca un dedo u otro objeto delante del objetivo, comience de nuevo el procedimiento.
 - Si no es posible evitar el movimiento delante de la cámara, el Asistente de enfoque no debe utilizarse.
1. Monte o coloque la cámara de modo que no pueda moverse.
 2. Afloje el regulador de zoom girándolo en sentido contrario a las agujas del reloj. Mueva la palanca para establecer el nivel de zoom. Apriete de nuevo la palanca de zoom.
 3. Ponga la cámara en la posición máxima de enfoque lejano; para hacerlo, afloje la palanca de enfoque y gire el anillo de enfoque en el sentido de las agujas del reloj.
 4. Presione y suelte rápidamente el botón de control. Cuando el indicador de estado parpadea, el Asistente de Enfoque está activado.
 5. Gire lentamente el anillo de enfoque en el sentido contrario a las agujas del reloj hasta que se detenga.
 6. Gire lentamente el anillo de enfoque en el sentido de las agujas del reloj hasta que el indicador de estado parpadee en verde.
 7. Para salir del Asistente de Enfoque, presione y suelte rápidamente el botón de control. Si no puede acceder al botón de control, el Asistente de enfoque se desactiva automáticamente transcurridos 15 minutos.
 8. Apriete de nuevo el regulador de enfoque.
 9. Vaya a la pestaña **Image (Imagen)** en la página web del producto.
 10. Haga clic en **Autofocus (Enfoque automático)** y siga las instrucciones del asistente.

Cómo restablecer la configuración predeterminada de fábrica

Importante

Es preciso tener cuidado si se va a restablecer la configuración predeterminada de fábrica. Todos los valores, incluida la dirección IP, se restablecerán a la configuración predeterminada de fábrica.

Para restablecer el producto a la configuración predeterminada de fábrica:

1. Desconecte la alimentación del producto.
2. Mantenga pulsado el botón de control mientras vuelve a conectar la alimentación. Consulte *Información general del producto*.
3. Mantenga pulsado el botón de control durante 15-30 segundos hasta que el indicador LED de estado parpadee en ámbar.
4. Suelte el botón de control. El proceso finaliza cuando el indicador LED de estado se pone verde. El producto se ha restablecido a la configuración predeterminada de fábrica. Si no hay ningún servidor DHCP disponible en la red, la dirección IP predeterminada es 192.168.0.90.
5. Utilice las herramientas del software de instalación y gestión para asignar una dirección IP, establecer la contraseña y acceder a la transmisión de vídeo.
Las herramientas de software de instalación y gestión están disponibles en las páginas de servicio técnico de axis.com/support

Más información

- Para consultar la versión más reciente de este documento, vaya a *axis.com*.
- El manual de usuario se encuentra disponible en *axis.com*.
- Para comprobar si existe un firmware actualizado disponible para su producto, vaya a *axis.com/support*.
- Para consultar webinars y cursos en línea que pueden resultarle útiles, vaya a *axis.com/academy*.

Accesorios opcionales

Para conocer una lista completa de los accesorios disponibles para este producto, vaya a la página de productos en *axis.com* y seleccione Software y accesorios.

Especificaciones

Para acceder a la versión más reciente de la hoja de datos del producto, visite axis.com > [producto] > Soporte técnico y documentación.

Indicadores LED

Nota

- El LED de estado se puede configurar para que parpadee cuando haya un evento activo.

LED de estado	Indicación
Verde	Fijo para indicar un funcionamiento normal.
Ámbar	Fijo durante el inicio. Parpadea al restaurar valores de configuración.

LED de red	Indicación
Verde	Fijo para indicar una conexión a una red de 100 Mbits/s. Parpadea cuando hay actividad de red.
Ámbar	Fijo para indicar una conexión a una red de 10 Mbits/s. Parpadea cuando hay actividad de red.
Apagado	No hay conexión a la red.

LED de alimentación	Indicación
Verde	Funcionamiento normal.
Ámbar	Parpadea en verde/ámbar durante la actualización del firmware.

Comportamiento del indicador LED de estado del Asistente de enfoque

Nota

Válido únicamente para objetivos opcionales iris de tipo P, DC o manual.

Cuando el LED de estado parpadea, el Asistente de enfoque está activado.

Color	Indicación
Rojo	La imagen está desenfocada. Ajuste del objetivo.
Ámbar	La imagen está casi enfocada. Debe ajustar ligeramente el objetivo.
Verde	La imagen está enfocada.

Avisador acústico del Asistente de enfoque

Nota

Válido únicamente para objetivos opcionales iris de tipo P, DC o manual.

Avisador acústico	Objetivo
Intervalo rápido	Ajuste óptimo
Intervalo medio	Ajuste menos óptimo
Intervalo lento	Ajuste pobre

ES

Comportamiento del indicador LED de estado y la señal del avisador acústico con el Asistente de nivelación

Para obtener información sobre el botón de función que se usa para nivelar la cámara, consulte *página 88*.

Mantenga pulsado el botón de función (2) durante más de dos segundos para nivelar la cámara.

- Cuando la cámara esté nivelada, ambos LED se iluminan en verde fijo y el avisador acústico emite un sonido continuo.
- Si no está nivelada, los LED parpadean en rojo, verde y naranja y el sonido se emite en intervalos lentos.

Los dos LED parpadean brevemente en verde para indicar que la nivelación está mejorando.

Ranura para tarjetas SD

AVISO

- Riesgo de daños en la tarjeta SD. No emplee herramientas afiladas, objetos de metal ni demasiada fuerza al insertar o extraer la tarjeta SD. Utilice los dedos para insertar o extraer la tarjeta.
- Riesgo de pérdida de datos y grabaciones dañadas. No extraiga la tarjeta SD mientras el producto esté en funcionamiento. Desinstale la tarjeta SD desde la página web de producto antes de retirarla.

AXIS Q16 Network Camera Series

Este producto admite tarjetas microSD/microSDHC/microSDXC (no incluidas).

Para conocer las recomendaciones de tarjeta SD, consulte axis.com.

Botones

Botón de control

Para conocer la ubicación del botón de control, consulte *Información general del producto en la página 80*.

El botón de control se utiliza para lo siguiente:

- Activar el Asistente de enfoque. Presione y suelte rápidamente el botón de control.
- Restablecer el producto a la configuración predeterminada de fábrica. Consulte *página 84*.
- Conectarse a un servicio AXIS Video Hosting System. Para obtener más información acerca de este servicio, visite axis.com

Botón de función

El botón de función tiene diversas utilidades:

- **Asistente de nivelación:** esta función ayuda a garantizar que la cámara está nivelada. Pulse el botón durante 3 segundos aproximadamente para iniciar el asistente de nivelación y vuelva a pulsarlo para detenerlo. El indicador LED de estado y la señal del avisador acústico ayudan a nivelar la cámara; consulte *Comportamiento del indicador LED de estado y la señal del avisador acústico con el Asistente de nivelación en la página 87*. La cámara está nivelada cuando el avisador acústico emite un sonido continuo.
- **Asistente de enfoque:** esta función se utiliza para activar el Asistente de enfoque. Para activar el Asistente de enfoque, pulse y suelte rápidamente el botón. Para detener el Asistente de enfoque, pulse y suelte rápidamente el botón una vez más.
Para obtener más información, vaya a .

Conectores

Conector de red

Conector Ethernet RJ45 con alimentación a través de Ethernet (PoE).

AVISO

Debido a la normativa local o a las condiciones ambientales y eléctricas en las que se vaya a utilizar el producto, puede que sea adecuado u obligatorio el uso de un cable de red blindado (STP). Todos los cables que conectan el producto a la red y que se utilicen en

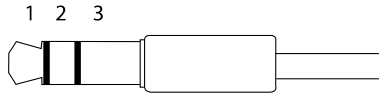
exteriores o en entornos eléctricos exigentes deberán estar blindados y diseñados para su uso específico. Asegúrese de que los dispositivos de red estén instalados de conformidad con las instrucciones del fabricante. Para obtener información sobre los requisitos normativos, vea *Electromagnetic compatibility (EMC) on page 4*.

Conector de audio

El producto de Axis integra los siguientes conectores de audio:

- **Entrada de audio (rosa):** entrada de 3,5 mm para micrófono mono, o entrada de línea de señal mono.
- **Salida de audio (verde):** salida para audio (nivel de línea) de 3,5 mm que se puede conectar a un sistema de megafonía pública o a un altavoz con amplificador incorporado. Se recomienda utilizar un conector estéreo para la salida de audio.

Conectores de audio de 3,5 mm (estéreo)



ES

	1 Punta	2 Anillo	3 Manguito
Entrada de audio	Balanceada: entrada de línea/micrófono de señal "caliente" No balanceada: Entrada de línea/micrófono	Balanceada: entrada de línea/micrófono de señal "fría" No balanceada: sin utilizar	Tierra
Salida de audio	Salida de línea (mono)	Salida de línea (mono)	Tierra

El micrófono interno se utiliza de forma predeterminada; el micrófono externo se utiliza cuando se conecta. Se puede desactivar el micrófono interno conectando una clavija a la entrada de micrófono.

Conector de E/S

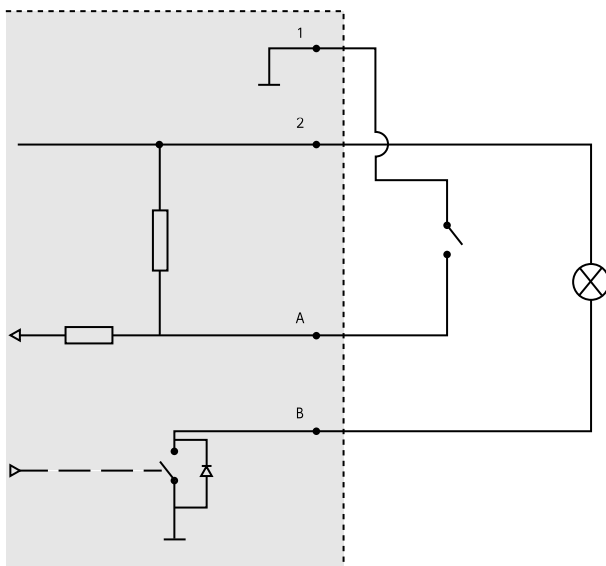
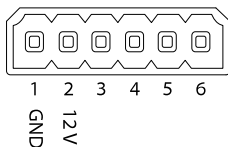
Utilice el conector de E/S con dispositivos externos en combinación con detección de movimiento, activación de eventos y notificaciones de alarma, por ejemplo. Además del punto de referencia de 0 V CC y la alimentación (salida de CC), el conector de E/S ofrece una interfaz para:

Entrada digital – Conectar dispositivos que puedan alternar entre circuitos cerrados y abiertos, por ejemplo, sensores PIR, contactos de puertas y ventanas o detectores de cristales rotos.

AXIS Q16 Network Camera Series

Salida digital – Conectar dispositivos externos como relés y LED. Los dispositivos conectados se pueden activar mediante la interfaz de programación de aplicaciones VAPIX® o en la página web del producto.

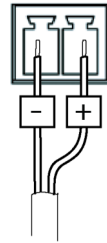
Bloque de terminales de 6 pines



- 1 0 V CC (-)
- 2 Salida de CC 12 V, 50 mA máx.
- A E/S configurada como entrada
- B E/S configurada como salida

Conector de alimentación

Bloque de terminales de 2 pines para la entrada de alimentación de CC. Use una fuente de alimentación limitada (LPS) que cumpla los requisitos de seguridad de baja tensión (SELV) con una potencia nominal de salida limitada a ≤ 100 W o una corriente nominal de salida limitada a ≤ 5 A.



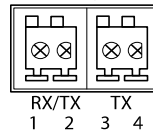
Conector RS485/RS422

Dos bloques de terminales de 2 pines para la interfaz serie RS485/RS422 usada para controlar equipos auxiliares, como dispositivos de movimiento horizontal/vertical.

El puerto serie puede configurarse para admitir:

- Semidúplex RS485 de dos cables
- Dúplex completo RS485 de cuatro cables
- Simplex RS422 de dos cables
- Dúplex completo RS422 de cuatro cables para comunicación dúplex punto a punto

RS485/422



Función	Pin	Notas
RS485B alt RS485/422 RX(B)	1	Par RX para todos los modos (RX/TX combinados para RS485 de dos cables)
RS485A alt RS485/422 RX(A)	2	
RS485/RS422 TX(B)	3	Par TX para RS422 y RS485 de cuatro cables
RS485/RS422 TX(A)	4	

Importante

La longitud de cable máxima es 30 m.

Información de seguridad

Niveles de peligro

▲PELIGRO

Indica una situación peligrosa que, si no se evita, provocará lesiones graves o la muerte.

▲ADVERTENCIA

Indica una situación peligrosa que, si no se evita, puede provocar lesiones graves o la muerte.

▲ATENCIÓN

Indica una situación peligrosa que, si no se evita, puede provocar lesiones moderadas o leves.

AVISO

Indica una situación peligrosa que, si no se evita, puede provocar daños materiales.

Otros niveles de mensaje

Importante

Indica información importante que es fundamental para que el producto funcione correctamente.

Nota

Indica información útil que ayuda a aprovechar el producto al máximo.

Instrucciones de seguridad

AVISO

- Este producto de Axis debe utilizarse de acuerdo con las leyes y normativas locales.
- Axis recomienda utilizar un cable de red blindado (STP) CAT5 o superior.
- Para usar el producto de Axis en exteriores, o en entornos similares, debe instalarse en una carcasa exterior aprobada.
- Almacene el producto de Axis en un entorno seco y ventilado.
- Evite la exposición del producto de Axis a choques o a una fuerte presión.
- No instale el producto en postes, soportes, superficies o paredes inestables.
- Utilice solo las herramientas correspondientes cuando instale el producto de Axis. La aplicación de una fuerza excesiva con herramientas eléctricas puede provocar daños en el producto.
- No utilice limpiadores en aerosol, agentes cáusticos ni productos químicos.
- Limpie con un paño limpio humedecido con agua pura.
- Utilice solo accesorios que cumplan con las especificaciones técnicas de su producto. Estos accesorios los puede proporcionar Axis o un tercero. Axis recomienda utilizar un equipo de suministro de alimentación de Axis compatible con su producto.
- Utilice solo piezas de repuesto proporcionadas o recomendadas por Axis.
- No intente reparar el producto usted mismo. Póngase en contacto con el servicio de asistencia técnica de Axis o con su distribuidor de Axis para tratar asuntos de reparación.
- La fuente de alimentación se enchufará a una toma de conector instalada cerca del producto y a la que se podrá acceder fácilmente.
- Use una fuente de alimentación limitada (LPS) con una potencia nominal de salida limitada a ≤ 100 W o una corriente nominal de salida limitada a ≤ 5 A.

Transporte

AVISO

- Cuando transporte el producto de Axis, utilice el embalaje original o un equivalente para evitar daños en el producto.

Batería

Este producto de Axis utiliza una batería de litio CR2032 de 3,0 V como fuente de alimentación del reloj interno en tiempo real. En condiciones normales, esta batería durará un mínimo de cinco años.

Un nivel bajo de batería afectará al funcionamiento del reloj en tiempo real, lo que provocará el restablecimiento de este cada vez que se encienda el producto. Cuando sea necesario sustituir la batería, aparecerá un mensaje de registro en el informe del servidor del producto. Para obtener más

información sobre el informe del servidor, consulte las páginas de configuración del producto o póngase en contacto con el servicio de asistencia técnica de Axis.

La batería no debe sustituirse a menos que sea necesario; no obstante, si precisa hacerlo, póngase en contacto con el servicio de asistencia técnica de Axis en axis.com/support para solicitar ayuda.

Las pilas de botón de litio de 3,0 V contienen 1,2-dimetoxietano; éter dimetilico de etilenglicol (EGDME), n.º CAS 110-71-4.

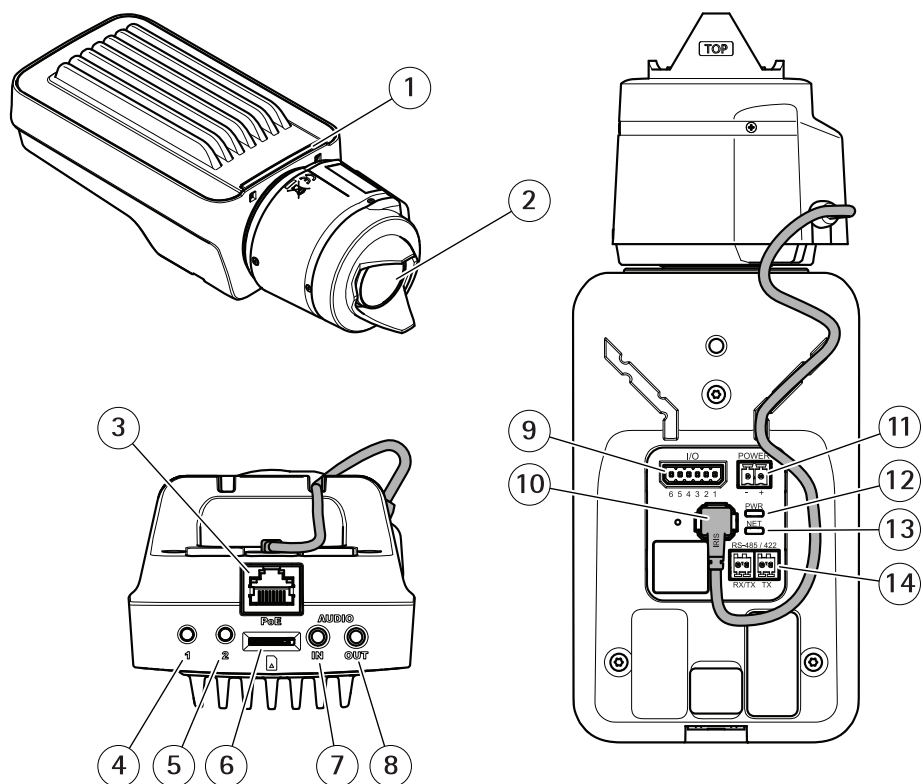
▲ADVERTENCIA

- La sustitución incorrecta de la batería implica riesgo de explosión.
- Sustituya la batería por una batería idéntica u otra batería recomendada por Axis.
- Deseche las baterías usadas de conformidad con la normativa local o las instrucciones del fabricante.

パッケージの内容

- AXIS Q1645/Q1647 Network Camera (ネットワークカメラ)
- カメラスタンド
- いじり止めヘックスローブ20六角レンチ
- 印刷物
 - インストールガイド(本書)
 - 予備のシリアル番号ラベル(×2)
 - AVHS認証キー

製品の概要



- 1 ステータスLEDインジケータ
- 2 レンズ
- 3 ネットワークコネクタ (PoE)
- 4 コントロールボタン (1)
- 5 機能ボタン (2)
- 6 microSDカードスロット
- 7 音声入力
- 8 音声出力
- 9 I/Oコネクタ
- 10 アイリスコネクタ
- 11 電源コネクタ
- 12 電源LEDインジケータ
- 13 ネットワークLEDインジケータ

14 RS485/RS422コネクター

製品の取り付け方法

注記

本製品を使用する場所の地域条例、環境、電気的条件によっては、シールドネットワークケーブル (STP) の使用が推奨または必須になります。野外または電氣的に厳しい環境にネットワークケーブルを配線する場合は、個別の用途に合ったシールドネットワークケーブル (STP) を使用してください。

注意

- 材質がカメラの重量を支えるのに十分であることを確認してください。
 - 技術仕様の詳細については、Axisのホームページ (www.axis.com) でカメラのデータシートを参照してください
1. スタンドを取り付ける壁面または天井の準備を行います。スタンドを壁に合わせ、穴を開ける位置に印を付けます。
 2. ネットワークケーブルを壁面または天井に通します。カメラとの接続用に30 cmほどケーブルを残します。
 3. I/O、音声、外部電源デバイスなどの補助デバイスをカメラに接続する場合、カメラとの接続用に30 cmほどケーブルを残してください。
 4. 壁面または天井にスタンドを取り付け、ネジやプラグが取り付け先の材質 (木材、金属、石膏ボード、石材など) に適していることを確認します。
 5. カメラをスタンドに取り付け、三脚ネジを締めます。
 6. 必要に応じて、アクティブスピーカー、外部マイクを接続します。
 7. シールドネットワークケーブルを使用して、カメラをネットワークに接続します。
 8. 以下のどちらかの方法で、電源を接続します。
 - PoE (Power over Ethernet)。PoEは、ネットワークケーブルを接続すると自動的に検出されます。
 - 外部電源アダプターを電源コネクタブロックに接続します。コネクタを参照してください。
 9. LEDインジケーターが正常な状態を示すことを確認します。詳細については、の表を参照してください。ステータスLEDは、正常動作時に点灯しないように設定することもできます。
 10. 必要に応じて、microSDカード (非付属品) をSDカードスロットに挿入します。
 11. カメラを正しい方向に向け、付属のいじり止めヘックスローブ20六角レンチでボールジョイントを締めます。

注記

SDカードは、取り外す前に、録画データが破損しないようにアンマウントする必要があります。取り外すには、カメラのWebインターフェースで [Settings > System > Storage (設定 > システム > ストレージ)] に移動します。

製品のアクセス方法

ネットワーク上でAxis製品を検索したり、Windows®でAxis製品にIPアドレスを割り当てたりするには、AXIS IP UtilityまたはAXIS Camera Managementの使用をお勧めします。いずれのアプリケーションも無料で、axis.com/supportからダウンロードできます。

製品は次のブラウザで使用できます。

- Chrome™ (推奨)、Firefox®、Edge®、またはOpera® (Windows®を使用する場合)
- Chrome™ (推奨)、またはSafari® (OS X®を使用する場合)
- Chrome™またはFirefox® (その他のオペレーティングシステムの場合)

製品の使用方法の詳細については、Axisのホームページ axis.com でユーザーズマニュアルを参照してください

推奨されるブラウザの詳しい情報については、axis.com/browser-support にアクセスしてください

フォーカスとズームの調整方法

JA

映像を見ながらレンズにアクセスできるようにカメラが設置されていない場合は、フォーカスアシスタントを使用します。を参照してください。

1. 本製品のWebページで **[Image (画像)]** タブを表示します。
2. **ズーム** を調整します。
3. **[Autofocus (オートフォーカス)]** をクリックします。

レンズの交換方法

1. 全ての録画を停止し、本製品の電源を切ります。
2. レンズのケーブルを外して標準レンズを取り外します。
3. 新しいレンズを取り付けてレンズケーブルを接続します。
4. 電源に再接続します。
5. 本製品のWebページで **[Image (画像)]** タブに移動し、取り付けた **[P-Iris lens (Pアイリスレンズ)]** を選択します。

注意

DCアイリスレンズの場合は、**[Generic DC iris (汎用DCアイリス)]** オプションを選択してください。

6. フォーカスとズームを調整します。

オプションのレンズのフォーカスとズームの調整方法

映像を見ながらレンズにアクセスできるようにカメラが設置されていない場合は、フォーカスアシスタントを使用します。を参照してください。

1. 本製品のWebページで **[Image (画像)]** タブを表示します。
2. レンズのズーム調節レバーとフォーカス調節レバーを反時計回りに回して緩めます。 **製品の概要**を参照してください。
3. レバーを動かしてズームとフォーカスを調節し、映像ウィンドウで画質を確認します。
4. ズーム調節レバーとフォーカス調節レバーを締め直します。
5. **[Autofocus (オートフォーカス)]** をクリックします。

フォーカスアシスタントによるフォーカスの調整方法

注意

オプションのPアイリス、DCアイリスレンズ、または手動アイリスの各種レンズでのみ有効です。

- フォーカス調整中はカメラの前の被写体に変化しないようにしてください。カメラが動いたり、レンズの前に指やその他の物体が入り込んだ場合は、手順をやり直します。
 - カメラの前で被写体が動いてしまう場合は、フォーカスアシスタントを使用しないでください。
1. カメラが動かないようにしっかりと固定します。
 2. ズーム調節レバーを反時計回りに回して緩めます。レバーを動かしてズーム倍率を設定します。ズーム調節レバーを締め直します。
 3. フォーカス調節レバーをゆるめてフォーカスリングを時計方向にいっぱいまで回し、最も離れた位置にフォーカスを合わせます。
 4. コントロールボタンを押して、すぐに離します。ステータスLEDが点滅して、フォーカスアシスタントが有効になります。
 5. フォーカスリングを反時計方向にいっぱいまでゆっくりと回します。
 6. ステータスLEDが緑に点滅するまでフォーカスリングを時計方向にゆっくりと回します。
 7. コントロールボタンを押し、フォーカスアシスタントを終了します。コントロールボタンにアクセスできない場合、フォーカスアシスタントは15分後に自動的にオフになります。
 8. フォーカス調節レバーを締め直します。
 9. 本製品のWebページで **[Image (画像)]** タブを表示します。
 10. **[Autofocus (オートフォーカス)]** ボタンをクリックし、ウィザードの指示に従います。

工場出荷時の設定にリセットする方法

重要

工場出荷時の設定へのリセットは慎重に行ってください。工場出荷時の設定へのリセットを行うと、IPアドレスを含むすべての設定が工場出荷時の値にリセットされます。

本製品を工場出荷時の設定にリセットするには、以下の手順を実行します。

1. 本製品の電源を切ります。
2. コントロールボタンを押した状態で電源を再接続します。製品の概要を参照してください。
3. ステータスLEDインジケーターが黄色に点滅するまで、コントロールボタンを15～30秒間押し続けます。
4. コントロールボタンを離します。プロセスが完了すると、ステータスLEDが緑色に変わります。これで本製品は工場出荷時の設定にリセットされました。ネットワーク上に利用可能なDHCPサーバーがない場合、デフォルトのIPアドレスは192.168.0.90になります。
5. インストールおよび管理ソフトウェアツールを使用してIPアドレスの割り当て、パスワードの設定、ビデオストリームへのアクセスを行います。
*axis.com/support*のサポートページに、インストールおよび管理ソフトウェアツールが用意されています。

JA

関連情報

- 本書の最新バージョンについては、axis.comにアクセスしてください。
- ユーザーズマニュアルは、axis.comで入手できます。
- ご使用の製品の新しいファームウェアがリリースされていないかを確認するには、axis.com/supportにアクセスしてください。
- 役に立つオンライントレーニングおよびWebセミナーをご用意しております。axis.com/academyをご覧ください。

オプションアクセサリー

本製品で利用可能なすべてのアクセサリーについては、axis.comで本製品のページを開いて「ソフトウェア&アクセサリー」を参照してください。

仕様

最新バージョンの製品データシートについては、Axisのホームページaxis.com > [製品] > [サポートとドキュメント]を参照してください。

LEDインジケーター

注意

- ステータスLEDは、イベントの発生時に点滅させることができます。

ステータスLED	説明
緑	正常動作であれば緑色に点灯します。
黄	起動時に点灯し、設定の復元時には点滅します。

ネットワークLED	説明
緑	100 Mbit/sネットワークに接続している場合、点灯します。ネットワークパケットを送受信した場合、点滅します。
黄	10 Mbit/sネットワークに接続している場合、点灯します。ネットワークパケットを送受信した場合、点滅します。
無点灯	ネットワーク接続なし。

電源LED	説明
緑	正常動作。
黄	ファームウェアアップグレード中は緑と黄の交互点滅。

フォーカスアシスタント用ステータスLEDの動作

注意

オプションのPアイリス、DCアイリスレンズ、または手動アイリスの各種レンズでのみ有効です。

フォーカスアシスタントが有効のとき、ステータスLEDが点滅します。

カラー	説明
赤	画像がピンぼけしています。 レンズを調整してください。
黄	画像が近すぎてピンぼけしています。 レンズの微調整を行う必要があります。
緑	画像のピントが合っています。

フォーカスアシスタントのブザー信号

注意

オプションのPアイリス、DCアイリスレンズ、または手動アイリスレンズでのみ有効です。

ブザー	レンズ
短い間隔	最適に調節されています
中程度の間隔	もう少しで最適になります
長い間隔	適切に調節されていません

レベルアシスタントのステータスLEDの動作とブザー信号

カメラの水平位置の調整に使用する機能ボタンの詳細については、107ページを参照してください。

カメラを水平化するには、機能ボタン (2) を2秒以上押し続けます。

- カメラが水平になると、両方のLEDが緑色に点灯し、ブザーが連続音になります。
- カメラが水平でないと、LEDは赤、緑、橙の組み合わせで点滅し、ブザーが長い間隔で鳴ります。

両方のLEDが一時的に緑色に点滅し、水平化が改善したことを示します。

SDカードスロット

注記

- SDカード損傷の危険があります。SDカードの挿入と取り外しの際には、鋭利な工具や金属性の物を使用したり、過剰な力をかけたりしないでください。カードの挿入や取り外しは指で行ってください。

- データ損失や録画データ破損の危険があります。本製品の稼働中はSDカードを取り外さないでください。取り外しの前に、製品のWebページからSDカードをマウント解除してください。

本製品は、microSD/microSDHC/microSDXCカードに対応しています (別売)。

推奨するSDカードについては、axis.comを参照してください

ボタン

コントロールボタン

コントロールボタンの位置については、98ページの、製品の概要を参照してください。

コントロールボタンは、以下の用途で使用します。

- フォーカスアシスタントを有効にする。コントロールボタンを押して、すぐに離します。
- 製品を工場出荷時の設定にリセットする。103ページを参照してください。
- AXIS Video Hosting Systemサービスに接続する。このサービスの詳細については、axis.comを参照してください。

JA

機能ボタン

機能ボタンには、以下のような機能があります。

- **レベルアシスタント** - カメラを水平にするのに役立つ機能です。ボタンを約3秒押し続けるとレベルアシスタントが始動し、もう一度押すと停止します。ステータスLEDとブザー信号を使用して、カメラの水平化を行います。106ページの、レベルアシスタントのステータスLEDの動作とブザー信号を参照してください。カメラが水平になると、ブザーが連続音になります。
- **フォーカスアシスタント** - この機能はフォーカスアシスタントを有効にするために使用します。フォーカスアシスタントを有効にするには、ボタンを押してすぐに離します。もう一度押すと、フォーカスアシスタントが停止します。

詳細については、次にアクセスしてください:

コネクタ

ネットワークコネクタ

RJ45イーサネットコネクタ、Power over Ethernet (PoE) 対応。

注記

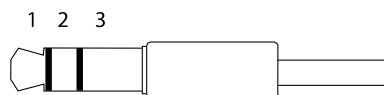
本製品を使用する場所の地域条例、環境、電気的条件下によっては、シールドネットワークケーブル (STP) の使用が推奨または必須になります。本製品をネットワークに接続して屋外または電氣的に厳しい環境に配線する場合は、用途に合ったネットワークケーブルを使用してください。ネットワーク装置がメーカーの指示どおりに設置されていることを確認します。法的要件については、*Electromagnetic compatibility (EMC) on page 4*を参照してください。

音声コネクター

本製品は、以下の音声コネクターを搭載しています。

- **音声入力 (ピンク)** – モノラルマイクロフォンまたはライン入力モノラル信号用 3.5 mm 入力。
- **音声出力 (緑)** – 3.5 mm 音声 (ラインレベル) 出力 (パブリックアドレス (PA) システムまたはアンプ内蔵アクティブスピーカーに接続可能)。音声出力には、ステレオコネクターを使用することをお勧めします。

3.5 mm 音声コネクター (ステレオ)



	1 チップ	2 リング	3 スリーブ
音声入力	バランス: 「ホット」 信号 マイクロフォン/ライン入力 アンバランス: マイクロ フォン/ライン入力	バランス: 「コールド」 信 号マイクロフォン/ライン 入力 アンバランス: 未使用	グラウンド
音声出力	ライン出力、モノラル	ライン出力、モノラル	グラウンド

デフォルトでは内蔵マイクロフォンが使用され、外部マイクロフォンが接続されると、外部マイクロフォンが使用されます。マイクロフォン入力にプラグを差し込むと、内蔵マイクロフォンが無効になります。

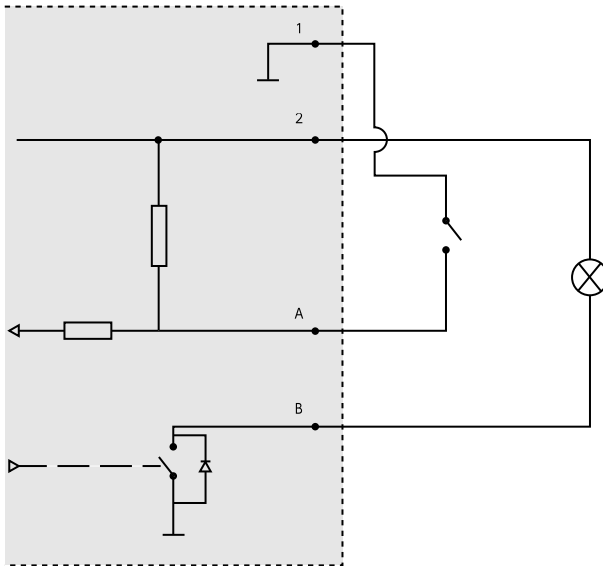
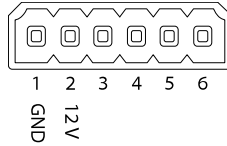
I/Oコネクター

I/Oコネクターに外部装置を接続し、動体検知、イベントトリガー、アラーム通知などと組み合わせて使用することができます。I/Oコネクターは、0V DC基準点と電力 (DC 出力) に加えて、以下のインターフェースを提供します。

デジタル入力 - オープンサーキットとクローズサーキットの切り替えが可能なデバイス (PIRセンサー、ドア/窓の接触、ガラス破損検知器など) を接続するための入力です。

デジタル出力 - リレーやLEDなどの外部デバイスを接続します。接続されたデバイスは、VAPIX®アプリケーションプログラミングインターフェースまたは製品のWebページで有効にすることができます。

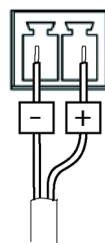
6ピンターミナルブロック



- 1 0 VDC (-)
- 2 DC出力12 V、最大50 mA
- A I/O (入力として設定)
- B I/O (出力として設定)

電源コネクター

DC電源入力用2ピンターミナルブロック。定格出力が100 W以下または5 A以下の安全特別低電圧 (SELV) に準拠した有限電源 (LPS) を使用してください。

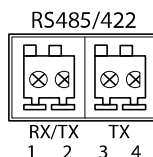


RS485/RS422 コネクター

パン/チルトデバイスなど補助装置の制御に使用する、RS485/RS422シリアルインターフェース用の2ピンターミナルブロック×2。

シリアルポートの設定により、次のモードをサポート可能。

- 2ワイヤーRS485半二重
- 4ワイヤーRS485全二重
- 2ワイヤーRS422単方向
- 4ワイヤーRS422全二重ポイントツーポイント通信



機能	ピン	備考
RS485BまたはRS485/422 RX(B)	1	すべてのモードのRXペア (2ワイヤーRS485のRX/TXペア)
RS485A5BまたはRS485/422 RX(A)	2	
RS485/RS422 TX(B)	3	RS422および4ワイヤーRS485のTXペア
RS485/RS422 TX(A)	4	

重要

ケーブルの最大長は30 mです。

安全情報

危険レベル

▲危険

回避しない場合、死亡または重傷につながる危険な状態を示します。

▲警告

回避しない場合、死亡または重傷につながるおそれのある危険な状態を示します。

▲注意

回避しない場合、軽傷または中程度の怪我につながるおそれのある危険な状態を示します。

注記

回避しない場合、器物の破損につながるおそれのある状態を示します。

その他のメッセージレベル

重要

製品を正しく機能させるために不可欠な重要情報を示します。

注意

製品を最大限に活用するために役立つ有用な情報を示します。

安全手順

注記

- 本製品は、お使いになる地域の法律や規制に準拠して使用してください。
- Axisは、シールドネットワークケーブル (STP) CAT5以上の使用を推奨します。
- 本製品を屋外またはそれに準じる環境で使用する場合は、認定済みの屋外用筐体に収納して設置する必要があります。
- 本製品は乾燥した換気のよい環境に保管してください。
- 本製品に衝撃または強い圧力を加えないでください。
- 本製品を不安定なポール、ブラケット、表面、または壁に設置しないでください。
- 本製品を設置するには、適切な工具のみを使用してください。電動工具を使用して過剰な力をかけると、製品が損傷することがあります。
- 化学薬品、腐食剤、噴霧式クリーナーは使用しないでください。
- 清掃には、きれいな水に浸した清潔な布を使用してください。
- 製品の技術仕様に準拠したアクセサリのみを使用してください。これらのアクセサリは、Axisまたはサードパーティから入手できます。Axisは、ご使用の製品と互換性のあるAxis給電ネットワークスイッチの使用を推奨します。
- Axisが提供または推奨する交換部品のみを使用してください。
- 製品を自分で修理しないでください。修理については、Axisサポートまたは販売代理店にお問い合わせください。
- 電源は、製品の近くで簡単に手の届く場所にあるコンセントに接続してください。
- 定格出力が100 Wまたは5 A以下の有限電源 (LPS) を使用します。

輸送

注記

- 本製品を運搬する際は、製品が損傷しないよう、元の梱包か同等の梱包を使用してください。

バッテリー

本製品は、内部リアルタイムクロック (RTC) 用電源として、3.0 V CR2032リチウムバッテリーを使用します。このバッテリーは、通常条件下で最低5年間使用できます。

バッテリーが低電力状態になると、RTCの動作に影響し、電源を入れるたびにRTCがリセットされます。バッテリーの交換が必要になると、製品のサーバーレポートに

ログメッセージが表示されます。サーバーレポートの詳細については、製品の設定ページを参照するか、Axisサポートまでお問い合わせください。

必要な場合以外はバッテリーを交換しないでください。バッテリーの交換が必要な場合は、Axisサポート axis.com/support までご連絡ください。

リチウムコイン型3.0V電池は、1,2-ジメトキシエタン (エチレングリコールジメチルエーテル (EGDME)、CAS番号110-71-4) を含有しています。

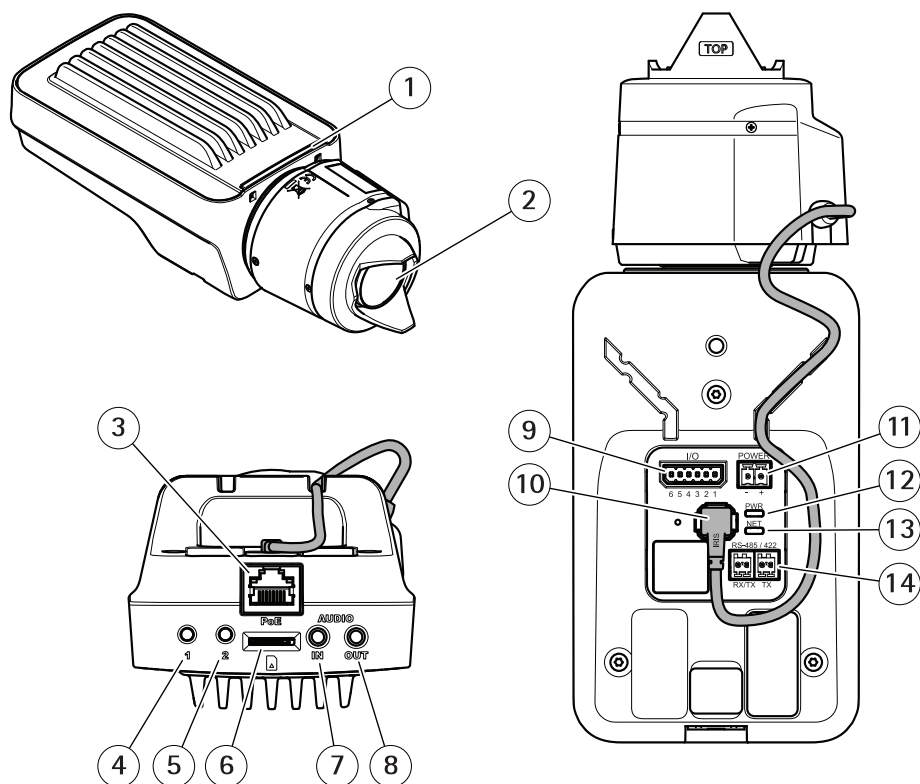
▲警告

- バッテリーは、正しく交換しないと爆発する危険があります。
- 交換用バッテリーとしては、同一品またはAxisが推奨するバッテリーのみを使用してください。
- 使用済みバッテリーは、地域の規制またはバッテリーメーカーの指示に従って廃棄してください。

包装内容

- AXIS Q1645/Q1647 网络摄像机
- 摄像机支架
- 内六角扳手 Resitorx 20
- 印刷材料
 - 安装指南 (本文档)
 - 额外序号标签 (x2)
 - AVHS 身份验证密钥

产品概述



- 1 LED 状态指示灯
- 2 镜头
- 3 网络连接器 (PoE)
- 4 控制按钮 (1)
- 5 功能按钮 (2)
- 6 microSD 卡槽
- 7 音频输入
- 8 音频输出
- 9 I/O 连接器
- 10 光圈连接器
- 11 电源连接器
- 12 LED 电源指示灯
- 13 LED 网络指示灯

14 RS485/RS422 连接器

如何安装产品

注意

由于当地法规或产品使用场所的环境和电气条件，可能需要使用屏蔽网络电缆 (STP)。在室外或恶劣电气环境中布放的任何网络电缆都应为屏蔽网络电缆 (STP) 并具有其特定用途。

备注

- 确保材料足够坚固，以承受摄像机重量。
 - 有关更多技术规格，请参阅 www.axis.com 上提供的摄像机数据表。
1. 准备用于安装支架的墙壁或天花板。使用支架作为模板，并在钻孔前标记孔的位置。
 2. 将网络电缆穿过墙壁或天花板。留出大约 30 厘米 (11.8 英寸) 的电缆来连接摄像机。
 3. 如果要连接辅助设备 (如 I/O、音频或外部电源设备)，需预留大约 30 厘米 (11.8 英寸) 长的线缆用以连接摄像机。
 4. 将支架安装在墙面或天花板上，并确保螺丝和塞子适用于该材料 (如木质、金属、石膏板、石头)。
 5. 将摄像机安装在支架上并拧紧三脚架螺丝。
 6. 视情况可连接一个有源扬声器和/或外部麦克风。
 7. 使用屏蔽网络线缆将摄像机连接至网络。
 8. 使用下列其中一种方法连接电源：
 - 以太网供电 (PoE)。网络线缆连接后，PoE 可自动被检测到。
 - 将一个外部电源适配器连接至电源连接板。请参见 [接口](#)。
 9. 检查 LED 指示灯是否指示了正确的情况。请参见 [上的表格](#) 了解更多详情。请注意，LED 状态指示灯可被配置为在正常运行期间不亮。
 10. 视情况可插入一张 microSD 卡 (不包含) 到 SD 卡槽中。
 11. 让摄像机朝着正确的方向，并使用所提供的内六角扳手 Resitorx 20 拧紧球形接头。

注意

为了防止录制内容损坏，应在弹出 SD 卡之前先将其卸载。要卸载 SD 卡，请转到摄像机网页界面中的 **设置 > 系统 > 存储**。

如何访问产品

AXIS IP Utility 和 AXIS Camera Management 是用于在网络上查找安讯士产品以及在 Windows® 中为其分配 IP 地址的建议方法。这两种应用程序都是免费的，可以从 axis.com/support 上进行下载

该产品可与以下浏览器兼容：

- Chrome™ (推荐)、Firefox®、Edge® 或 Opera®，用于 Windows®
- Chrome™ (推荐) 或 Safari®，用于 OS X®
- Chrome™ 或 Firefox®，用于其他操作系统。

要查找更多有关产品使用方法的信息，请参见 *axis.com* 上提供的用户手册

如果您需要更多有关推荐浏览器的信息，请转到 *axis.com/browser-support*

如何调整对焦和变焦

如果摄像机安装后您不能同时查看图像和使用镜头，则使用对焦助手，请参见。

1. 转到产品网页中的 **图像**选项卡。
2. 调节**变焦**。
3. 单击 **自动对焦**。

如何更换镜头

1. 停止所有录制并断开产品电源。
2. 断开镜头线缆，然后拆下标准镜头。
3. 安装新的镜头并连接镜头线缆。
4. 重新连接电源。
5. 转到产品网页中的**图像**选项卡，然后选择您已安装的**精确光圈镜头**。

备注

如果您使用直流驱动光圈镜头，则选择**通用直流驱动光圈**。

6. 调节变焦和对焦。

如何调节可选镜头的对焦和变焦

如果摄像机安装后您不能同时查看图像和使用镜头，则使用对焦助手，请参见。

1. 转到产品网页中的 **图像**选项卡。
2. 逆时针转动镜头上的变焦和对焦拉杆以将其松开。请参见 *产品概述*。
3. 移动拉杆以设置变焦和对焦，并在图像窗口中检查图像质量。
4. 重新紧固变焦和对焦拉杆。
5. 单击 **自动对焦**。

如何使用对焦助手调整对焦

备注

仅对可选精确光圈、直流驱动光圈或手动光圈镜头有效。

- 在对焦调整过程中，不应更改摄像机前面的视图。如果摄像机发生移动，或者如果手指或其他物体挡在镜头前面，请重启该程序。
 - 如果无法避免摄像机前面的移动，则不应使用对焦助手。
1. 将摄像机安装或放置在无法移动的位置。
 2. 逆时针调整变焦拉杆以将其松开。移动拉杆以设置变焦级别。重新紧固变焦拉杆。
 3. 通过松开对焦拉杆并沿顺时针方向将对焦环转到极限位置，可以将摄像机设置到其最远对焦位置。
 4. 按下并快速释放控制按钮。当状态指示器闪烁时，对焦助手已启用。
 5. 轻轻地逆时针转动对焦环，直至其停止。
 6. 顺时针缓慢转动对焦环，直至状态指示器呈绿色闪烁。
 7. 要退出对焦助手，请按控制按钮。如果无法触摸控制按钮，对焦助手将在 15 分钟后自动关闭。
 8. 重新紧固对焦拉杆。
 9. 转到产品网页中的 **图像** 选项卡。
 10. 单击 **Autofocus (自动对焦)**，然后按照向导说明进行操作。

如何重置为出厂默认设置

重要

重置为出厂默认值时应谨慎。重置为出厂默认值会将所有设置（包括 IP 地址）重置为出厂默认值。

将产品重置为出厂默认设置：

1. 断开产品电源。
2. 按住控制按钮，同时重新连接电源。请参见 *产品概述*。
3. 按住控制按钮 15–30 秒，直到状态 LED 指示灯呈淡黄色闪烁。
4. 释放控制按钮。当状态 LED 指示灯变绿时，此过程完成。产品已重置为出厂默认设置。如果网络上没有可用的 DHCP 服务器，则默认 IP 地址为 192.168.0.90
5. 使用安装和管理软件工具分配 IP 地址、设置密码和访问视频流。
安装和管理软件工具可在 axis.com/support 的支持页上获得

更多信息

- 有关本文档的最新版本，请参见 axis.com
- 用户手册可从 axis.com 获取
- 要检查是否有产品的可用更新固件，请参见 axis.com/support
- 如需有用的在线培训和在线研讨会，请参见 axis.com/academy

可选附件

欲查看本产品可用附件的完整列表，请转到 axis.com 上的产品页并选择“软件和附件”。

规格

欲查找最新版本的产品数据表，请转到 axis.com > [产品] > 支持和文档。

LED 指示灯

备注

- LED 状态指示灯可被设置为在事件激活时闪烁。

LED 状态指示灯	指示
绿色	稳定绿色表示正常工作。
淡黄色	在启动期间稳定。在恢复设置时闪烁。

LED 网络指示灯	指示
绿色	稳定表示连接到 100 Mbit/s 网络。闪烁表示网络活动。
淡黄色	稳定表示连接到 10 Mbit/s 网络。闪烁表示网络活动。
不亮	无网络连接。

LED 电源指示灯	指示
绿色	正常工作。
淡黄色	在固件升级过程中呈绿色/淡黄色闪烁。

ZH

对焦助手的 LED 状态指示灯情况

备注

仅对可选精确光圈、直流驱动光圈或手动光圈镜头有效。

当对焦助手处于活动状态时，LED 状态指示灯闪烁。

颜色	指示
红色	图像失焦。 调整镜头。
淡黄色	图像接近对焦。 镜头需要微调。
绿色	图像已对焦。

对焦助手的蜂鸣器信号

备注

仅对可选精确光圈、直流驱动光圈或手动光圈镜头有效。

蜂鸣器	镜头
快速间隔	优化调整
中等间隔	调整并非最佳
慢速间隔	调整不佳

使用水平助手时的 LED 状态指示灯状态和蜂鸣器信号

有关调平摄像机所用功能按钮的信息，请参见第 124 页。

按住功能按钮 (2)，持续时间不超过两秒，以调平摄像机。

- 当摄像机处于水平状态时，两个 LED 均呈稳定的绿色，并连续发出蜂鸣声。
- 当摄像机未处于水平状态时，LED 呈红色、绿色和橙色混合闪烁，并以慢速间隔发出蜂鸣声。

两个 LED 呈绿色短暂闪烁表明水平状态越来越好。

SD 卡插槽

注意

- 损坏 SD 卡的风险。插入或取出 SD 卡时，请勿使用锋利的工具、金属物体或过大力气。使用手指插入和取出该卡。
- 数据丢失和录制内容损坏的风险。产品正在运行时，请勿取出 SD 卡。在移除之前，请从产品的网页卸载 SD 卡。

本产品支持 microSD/microSDHC/microSDXC 卡（不包括）。

有关 SD 卡建议，请访问 axis.com

按钮

控制按钮

有关控制按钮的位置，请参见 *产品概述* 在第 116 页。

控制按钮用于：

- 启用对焦助手。按下并快速松开控制按钮。

- 将产品重置为出厂默认设置。请参见第121页。
- 连接至安讯士视频托管系统服务。要查找更多关于此服务的信息，请参见 axis.com

功能按钮

功能按钮具有多种功能：

- **水平助手** – 此功能有助于确保摄像机处于水平状态。按下该按钮并持续 3 秒钟，以启动水平助手，然后再次按下该按钮以将其停止。状态 LED 和蜂鸣器信号可帮助实现摄像机水平，请参见 *使用水平助手时的 LED 状态指示灯状态和蜂鸣器信号* 在第124页。当蜂鸣器连续发出蜂鸣声时，摄像机处于水平状态。
- **对焦助手** – 此功能用于启用对焦助手。要启用对焦助手，则按下并快速松开按钮。再次按下以停用对焦助手。
要查找更多信息，请转到。

接口

网络连接器

采用以太网供电 (PoE) 的 RJ45 以太网连接器。

注意

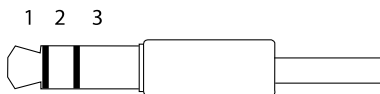
由于当地法规或产品使用场所的环境和电气条件，可能需要使用屏蔽网络电缆 (STP)。将产品连接到网络的所有电缆以及在室外或恶劣电气环境中布放的电缆应专用于其特定用途。确保根据制造商的说明安装网络设备。有关法规要求的信息，请参见 *Electromagnetic compatibility (EMC) on page 4*。

音频连接器

安讯士产品具有以下音频连接器：

- **音频输入 (粉色)** – 3.5 毫米输入，用于单声道麦克风或线路输入单声道信号。
- **音频输出 (绿色)** – 用于音频 (线路级) 的 3.5 毫米输出，可连接到公共地址 (PA) 系统或带有内置放大器的有源扬声器。建议将立体声连接器用于音频输出。

3.5 毫米音频连接器
(立体声)



AXIS Q16 Network Camera Series

	1 尖部	2 中间环	3 尾段
音频输入	平衡：“热”信号麦克风/ 线路输入 不平衡：麦克风/线路输入	平衡：“冷”信号麦克风/ 线路输入 不平衡：未使用	接地
音频输出	线路输出，单声道	线路输出，单声道	接地

默认使用内部麦克风；连接时使用外部麦克风。将插头连接到麦克风输入可以禁用内部麦克风。

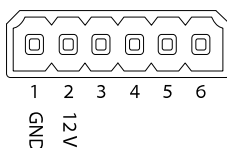
I/O 连接器

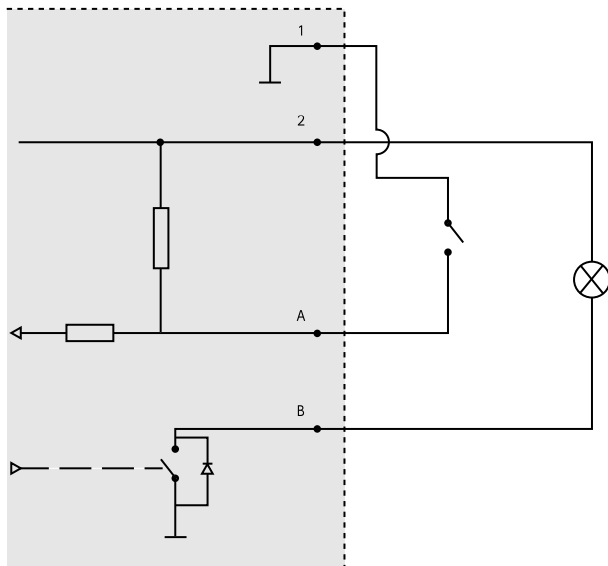
在外部设备结合了移动侦测、事件触发和报警通知等功能的情况下，使用 I/O 连接器。除 0 V DC 参考点和电源（DC 输出）外，I/O 连接器还提供连接至以下模块的接口：

数字输入 – 用于连接可在开路和闭路之间切换的设备，例如 PIR 传感器、门/窗触点和玻璃破碎侦测器。

数字输出 – 用于连接继电器和 LED 等外部设备。已连接的设备可通过 VAPIX® 应用程序编程接口或在产品网页上进行激活。

6 针接线端子



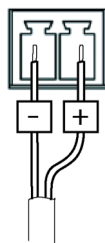


- 1 0 V DC (-)
- 2 DC 输出 12 V, 最大 50 mA
- A I/O 已配置为输入
- B I/O 已配置为输出

ZH

电源连接器

2 针接线端子，用于 DC 电源输入。使用额定输出功率限制为 $\leq 100\text{ W}$ 或额定输出电流限制为 $\leq 5\text{ A}$ 且符合安全超低电压 (SELV) 要求的限制电源 (LPS)。



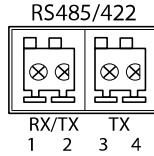
RS485/RS422 连接器

两个用于 RS485/RS422 串行接口的 2 针接线端子，用于控制辅助设备（如水平转动-垂直转动设备）。

AXIS Q16 Network Camera Series

串行端口可配置为支持：

- 两线 RS485 半双工
- 四线 RS485 全双工
- 两线 RS422 单工
- 四线 RS422 全双工点对点通信



功能	针	备注
RS485B alt RS485/422 RX(B)	1	适用于所有模式的 RX 对（用于两线 RS485 的组合 RX/TX）
RS485A alt RS485/422 RX(A)	2	
RS485/RS422 TX(B)	3	用于 RS422 和 4 线 RS485 的 TX 线对
RS485/RS422 TX(A)	4	

重要

线缆最长为 30 米（98 英尺）。

安全信息

危险等级

▲危险

表示如果不避免则会导致死亡或严重伤害的危险情况。

▲警告

表示如果不避免则可能导致死亡或严重伤害的危险情况。

▲小心

表示如果不避免则可能导致轻微或中度伤害的危险情况。

注意

表示如果不避免则可能导致财产损失的情况。

其他消息等级

重要

表示产品正常工作所必需的重要信息。

备注

表示有助于充分利用产品的有用信息。

安全说明

注意

- 使用安讯士产品时应遵守当地法律和法规。
- 安讯士推荐使用屏蔽网络电缆 (STP) CAT5 或更高版本。
- 要在室外或类似环境中使用安讯士产品，应将该产品安装在获得批准的室外防护罩中。
- 在干燥通风的环境中存放安讯士产品。
- 避免将安讯士产品暴露在冲击或高压环境下。
- 请勿将产品安装在不稳固的立杆、支架、表面或墙壁上。
- 安装安讯士产品时，仅使用适用的工具。使用电动工具过度施力可能导致产品损坏。
- 请勿使用化学品、腐蚀剂或气雾剂。
- 使用蘸纯净水的干净布进行清洁。
- 仅使用符合产品技术规格的附件。这些附件可由安讯士或第三方提供。安讯士推荐使用与产品兼容的安讯士电源设备。
- 仅使用安讯士提供或推荐的备件。
- 请勿尝试自行维修产品。有关服务事项，请联系安讯士支持部门或安讯士经销商。
- 电源应插入安装在产品附近的插座上并易于触及。
- 使用额定输出功率限制为 ≤ 100 W 或额定输出电流限制为 ≤ 5 A 的限制电源 (LPS)。

运输

注意

- 安讯士产品运输途中，应使用其原包装或等效包装，以防对产品造成损坏。

电池

安讯士产品使用 3.0 V CR2032 锂电池作为其内部实时时钟 (RTC) 的电源。在正常情况下，此电池将持续至少五年。

蓄电池电量过低会影响实时时钟的运行，从而导致实时时钟在每次上电时重置。当电池需要更换时，产品的服务器报告中将显示一条日志消息。有关服务报告的更多信息，请参见产品的设置页面或与安讯士支持部门联系。

除非有需要，否则不应更换蓄电池，但是如果确实需要更换蓄电池，则请在 axis.com/support 上联系安讯士支持以寻求帮助。

3.0 V 纽扣锂电池包含 1,2-二甲氧基乙烷 (EGDME), CAS 编码为 110-71-4。

警告

- 如果未正确更换电池，则存在爆炸危险。
- 仅可使用相同电池或安讯士推荐的电池进行更换。
- 根据当地法规或电池制造商的说明处理废电池。

