

AXIS P32 Dome Camera Series

AXIS P3267-LV Dome Camera

AXIS P3268-LV Dome Camera

Repainting Instructions

AXIS P32 Dome Camera Series

Impact on warranty

Impact on warranty

This product is approved for repaint by Axis, provided that you follow the instructions in this document and at [axis.com/warranty-implication-when-repainting](https://www.axis.com/warranty-implication-when-repainting).

Risks with repainting

There are several risks when disassembling or assembling an Axis product. There is always a certain yield loss during assembly. Training of operators and the use of correct tools mediates some of the problems but they can never be fully avoided. Some of the risks include:

ESD Damage – Always handle the product in an ESD safe environment. Even if precautions are taken there is always a risk of ESD damage. The damage can remain undetected and cause problems during the lifetime of the equipment.

Dust contamination – Opening a camera may expose the lens and sensor to dust or paint. Dust will affect the optical performance. Lenses need to be disassembled in a dust-free environment, preferably a cleanroom.

Paint overspray – Masking the different components of the equipment is critical. Failure to mask sensitive areas can cause problems with assembling the equipment. Any areas that are not painted at factory or have a different surface treatment than the rest of the parts (threads, ground and electrical contact surfaces) must also be masked to ensure function.

AXIS P32 Dome Camera Series

Repaint the product

Repaint the product

Preparations

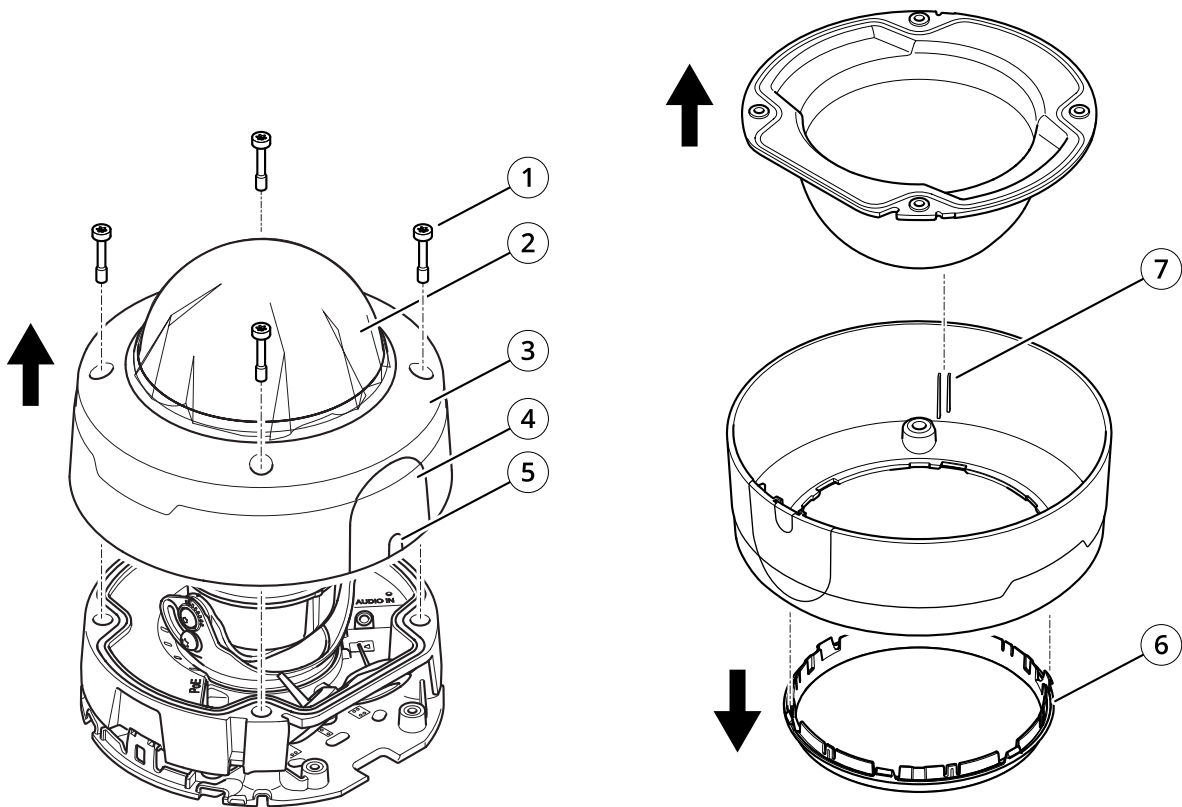
- If applicable, disassemble the device according to the instructions in this document.
- Clean all parts that will be repainted thoroughly to remove grease, dust, or oil.
- To ensure reassembly and functionality of the product, mask any openings (for example for screws, LED indicators, or microphones) before you paint.

Pretreatment of parts

- Use a primer to pretreat the parts before you paint.

The material used in the product is Panlite PC LN-3520ZH.

Disassembly



- 1 Screws (4x, TR20)
- 2 Dome
- 3 Dome cover
- 4 Conduit cover
- 5 Cable cover
- 6 Anti-reflection ring
- 7 Snap fits holding the dome (2x)

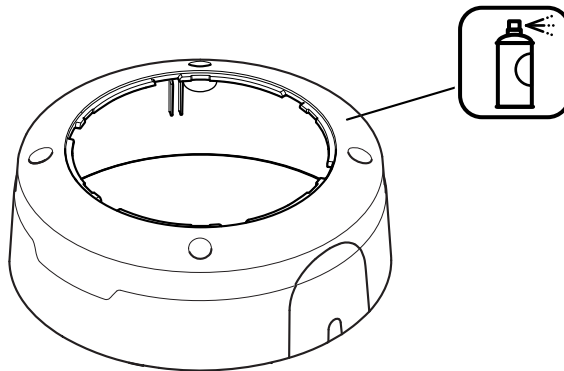
AXIS P32 Dome Camera Series

Repaint the product

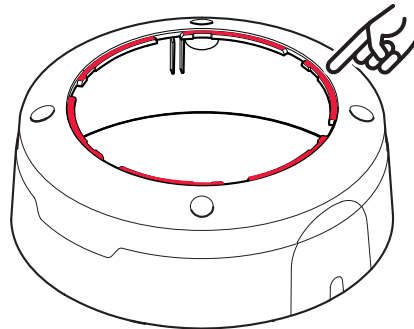
1. Remove the dome cover.
2. Remove the cable cover or conduit cover if you are not going to use it.
3. Remove the dome from the dome cover by releasing it from the snap fits.
4. Remove the anti-reflection ring. Don't paint it.

Repainting

1. Make sure all necessary preparations of the dome cover have been made, see *Preparations on page 3*.



2. Apply a thin and even layer of spray paint according to the instructions of the paint manufacturer.



Important

Avoid paint build-up in the area marked with red color.

3. Let the paint dry.
4. To get a better coverage and clearer color, apply a second layer of spray paint.
5. When the paint is dry, remove the masking and reassemble the product.

Reassembly

1. Reattach the anti-reflection ring and the dome to the dome cover.

AXIS P32 Dome Camera Series

Repaint the product

2. Reassemble the dome cover and the camera, and tighten the screws (torque 1.0 Nm, 0.7 lb ft).

