

AXIS Q8414–LVS Network Camera

Installation Guide

English

EN

France: Français

FR

Deutschland: Deutsch

DE

Italia: Italiano

IT

España: Español

ES

日本: 日本語

JA

中文: 简体中文

ZH

Read this first

Read through this Installation Guide carefully before installing the product. Keep the Installation Guide for future reference.

Legal considerations

Video and audio surveillance can be regulated by laws that vary from country to country. Check the laws in your local region before using this product for surveillance purposes.

This product includes the following licences:

- one (1) AAC decoder license
- one (1) H.264 decoder license

To purchase further licenses, contact your reseller.

Liability

Every care has been taken in the preparation of this document. Please inform your local Axis office of any inaccuracies or omissions. Axis Communications AB cannot be held responsible for any technical or typographical errors and reserves the right to make changes to the product and manuals without prior notice. Axis Communications AB makes no warranty of any kind with regard to the material contained within this document, including, but not limited to, the implied warranties of merchantability and fitness for a particular purpose. Axis Communications AB shall not be liable nor responsible for incidental or consequential damages in connection with the furnishing, performance or use of this material. This product is only to be used for its intended purpose.

Intellectual property rights

Axis AB has intellectual property rights relating to technology embodied in the product described in this document. In particular, and without limitation, these intellectual property rights may include one or more of the patents listed at www.axis.com/patent.htm and one or more additional patents or pending patent applications in the US and other countries.

This product contains licensed third-party software. See the menu item "About" in the product's user interface for more information.

This product contains source code copyright Apple Computer, Inc., under the terms of Apple Public Source License 2.0 (see www.opensource.apple.com/aps/). The source code is available from <https://developer.apple.com/bonjour/>

Equipment modifications

This equipment must be installed and used in strict accordance with the instructions given in the user documentation. This equipment contains no user-serviceable components. Unauthorized equipment changes or modifications will invalidate all applicable regulatory certifications and approvals.

Trademark acknowledgments

AXIS COMMUNICATIONS, AXIS and VAPIX are registered trademarks or trademark applications of Axis AB in various jurisdictions. All other company names and products are trademarks or registered trademarks of their respective companies.

Apple, Boa, Apache, Bonjour, Ethernet, Internet Explorer, Linux, Microsoft, Mozilla, Real, SMPTE, QuickTime, UNIX, Windows, Windows Vista and WWW are registered trademarks of the respective holders.

Java and all Java-based trademarks and logos are trademarks or registered trademarks of Oracle and/or its affiliates. UPnP™ is a certification mark of the UPnP™ Implementers Corporation.

SD, SDHC and SDXC are trademarks or registered trademarks of SD-3C, LLC in the United States, other countries or both. Also, miniSD, microSD, miniSDHC, microSDHC, microSDXC are all trademarks or registered trademarks of SD-3C, LLC in the United States, other countries or both.

Regulatory information

Europe



This product complies with the applicable CE marking directives and harmonized standards:

- Electromagnetic Compatibility (EMC) Directive 2014/30/EU. See *Electromagnetic compatibility (EMC) on page 4.*
- Low Voltage (LVD) Directive 2014/35/EU. See *Safety on page 5.*
- Restrictions of Hazardous Substances (RoHS) Directive 2011/65/EU. See *Disposal and recycling on page 5.*

A copy of the original declaration of conformity may be obtained from Axis Communications AB. See *Contact information on page 5.*

Electromagnetic compatibility (EMC)

This equipment has been designed and tested to fulfill applicable standards for:

- Radio frequency emission when installed according to the instructions and used in its intended environment.
- Immunity to electrical and electromagnetic phenomena when installed according to the instructions and used in its intended environment.

USA

This equipment has been tested using a shielded network cable (STP) and found to comply with the limits for a Class B digital device, pursuant to part 15 of the FCC Rules. These limits are designed to provide reasonable protection against harmful interference in a residential installation. This equipment generates, uses and can radiate radio frequency energy and, if not installed and used in accordance with the instructions, may cause harmful interference to radio communications. However, there is no guarantee that interference will not occur in a particular installation. If this equipment does cause harmful interference to radio or television reception, which can be determined by turning the equipment off and on, the user is encouraged to try to correct the interference by one or more of the following measures:

- Reorient or relocate the receiving antenna.
- Increase the separation between the equipment and receiver.
- Connect the equipment into an outlet on a circuit different from that to which the receiver is connected.
- Consult the dealer or an experienced radio/TV technician for help.

The product shall be connected using a shielded network cable (STP) that is properly grounded.

Canada

This digital apparatus complies with CAN ICES-3 (Class B). The product shall be

connected using a shielded network cable (STP) that is properly grounded. Cet appareil numérique est conforme à la norme CAN NMB-3 (classe B). Le produit doit être connecté à l'aide d'un câble réseau blindé (STP) qui est correctement mis à la terre.

Europe

This product fulfills the requirements for immunity according to EN 61000-6-1 residential, commercial and light-industrial environments.

This product fulfills the requirements for immunity according to EN 61000-6-2 industrial environments.

This product fulfills the requirements for immunity according to EN 55024 office and commercial environments.

Australia/New Zealand

This digital equipment fulfills the requirements for RF emission according to the Class B limit of AS/NZS CISPR 22. The product shall be connected using a shielded network cable (STP) that is properly grounded.

Japan

この装置は、クラスB情報技術装置です。この装置は、家庭環境で使用することを目的としていますが、この装置がラジオやテレビジョン受信機に近接して使用されると、受信障害を引き起こすことがあります。取扱説明書に従って正しい取り扱いをして下さい。本製品は、シールドネットワークケーブル(STP)を使用して接続してください。また適切に接地してください。

Korea

이 기기는 가정용(B급) 전자파적합기기로서 주로 가정에서 사용하는 것을 목적으로 하며, 모든 지역에서 사용할 수 있습니다. 적절히 접지된 STP (shielded twisted pair) 케이블을 사용하여 제품을 연결 하십시오.

Safety

This product complies with IEC/EN/UL 60950-1, Safety of Information Technology Equipment.

If its connecting cables are routed outdoors, the product shall be grounded either through a shielded network cable (STP) or other appropriate method.

Disposal and recycling

When this product has reached the end of its useful life, dispose of it according to local laws and regulations. For information about your nearest designated collection point, contact your local authority responsible for waste disposal. In accordance with local legislation, penalties may be applicable for incorrect disposal of this waste.

Europe



■ This symbol means that the product shall not be disposed of together with household or commercial waste. Directive 2012/19/EU on waste electrical and electronic equipment (WEEE) is applicable in the European Union member states. To prevent potential harm to human health and the environment, the product must be disposed of in an approved and environmentally safe recycling process. For information about your nearest designated collection point, contact your local authority responsible for

waste disposal. Businesses should contact the product supplier for information about how to dispose of this product correctly.

This product complies with the requirements of Directive 2011/65/EU and 2015/863 on the restriction of the use of certain hazardous substances in electrical and electronic equipment (RoHS).

China



This product complies with the requirements of SJ/T 11364-2014, Marking for the restriction of hazardous substances in electrical and electronic products.

有毒有害物質或元素						
部件名稱	鉛 (Pb)	汞 (Hg)	鎘 (Cd)	六價鉻 (Cr-VI)	多溴聯苯 (PB-B)	多溴二苯醚 (PB-DE)
电气实裝部分	X	0	0	0	0	0
<p>0: 表示该有毒有害物質在该部件均质材料中的含量均在GB/T 26572标准规定的限量要求以下。</p> <p>X: 表示该有毒有害物質至少在该部件的某一均质材料中的含量超出GB/T 26572标准规定的限量要求。</p>						

Contact information

Axis Communications AB
 Emdalavägen 14
 223 69 Lund
 Sweden
 Tel: +46 46 272 18 00
 Fax: +46 46 13 61 30
www.axis.com

Warranty information

For information about Axis' product warranty and thereto related information, go to www.axis.com/warranty/

Support

Should you require any technical assistance, please contact your Axis reseller. If your questions cannot be answered immediately, your reseller will forward your queries through the appropriate channels to ensure a rapid response. If you are connected to the Internet, you can:

- download user documentation and software updates

- find answers to resolved problems in the FAQ database. Search by product, category, or phrase
- report problems to Axis support staff by logging in to your private support area
- chat with Axis support staff
- visit Axis Support at www.axis.com/support

Learn more!

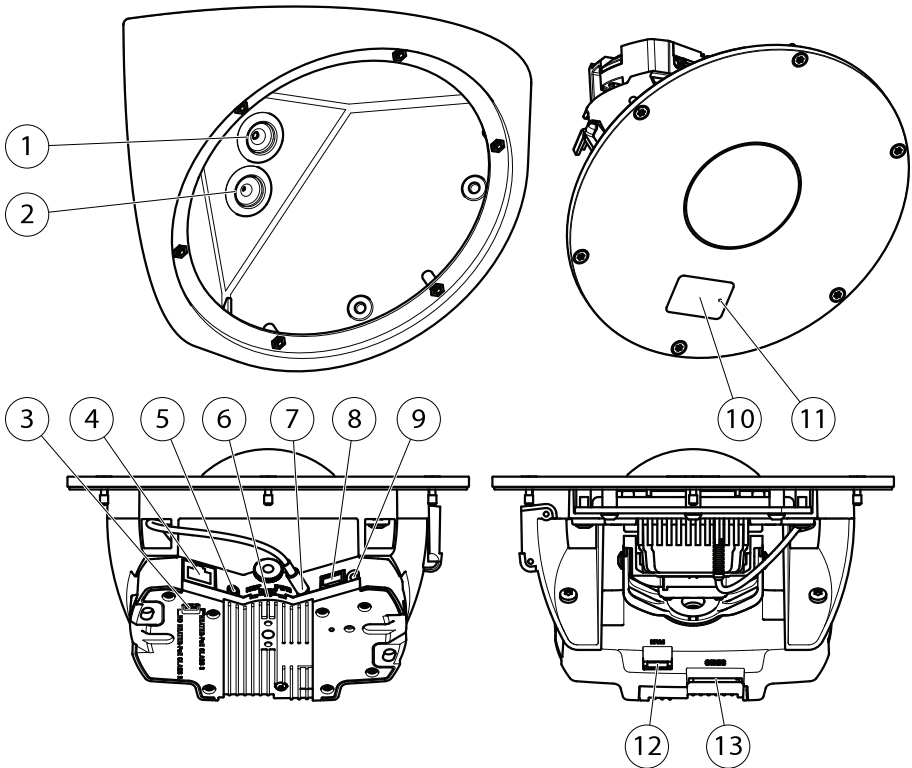
Visit Axis learning center www.axis.com/academy/ for useful trainings, webinars, tutorials and guides.

Package contents

- AXIS Q8414–LVS Network Camera
- Washers (for mounting screws)
- AXIS Connector Guard A
- Torx® bit TR20
- 4–pin terminal connector
- Printed materials
 - Installation Guide (this document)
 - AVHS Authentication key

AXIS Q8414-LVS Network Camera

Product overview



- 1 Cable gasket (network cable)
- 2 Cable gasket (I/O or audio cable)
- 3 PoE Class selector *
- 4 Network connector
- 5 Audio out connector
- 6 LED indicators
- 7 Audio in connector
- 8 I/O connector
- 9 Control button
- 10 IR window
- 11 Microphone
- 12 Not used
- 13 SD card slot

* Used for switching between PoE Class 2 (limited IR) and PoE Class 3 (full IR). See page 26.

How to install the product

Install the hardware

NOTICE

- The product shall be connected using a shielded network cable (STP). All cables connecting the product to the midspan shall be shielded (STP) and intended for their specific use. Make sure that the midspan is properly grounded. For information about regulatory requirements, see *Regulatory information on page 4*.
- Be careful not to scratch, damage or leave fingerprints on the dome cover because this could decrease image quality. If possible, keep the protective plastic on the front of the camera assembly until the installation is complete.

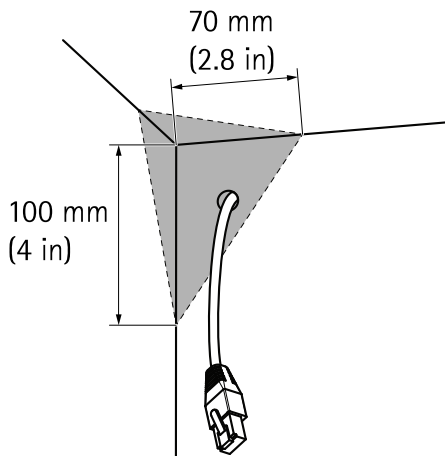
The Axis product can be installed with the cables routed through the wall or ceiling.

Read all the instructions before installing the product. Some installation steps would benefit from being completed together because they require removal of the camera assembly.

- A standard or high capacity SD card (not included) can be used to store recordings locally in the product. To install an SD card, see *page 14*.
- To route the cables before installing the product, see *page 9*.
- To install the product, see *page 10*.

Route the cables

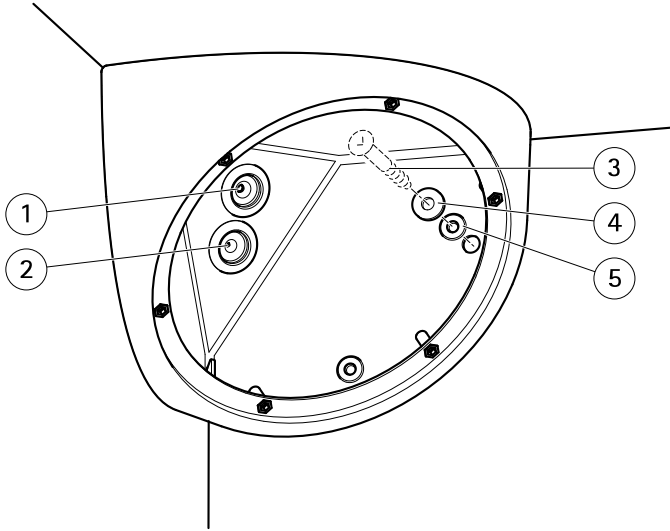
1. Measure a triangular area in the corner between the ceiling and the walls.
2. Route the network cable (and the I/O, audio cable if necessary) through the triangular area of the wall.



AXIS Q8414–LVS Network Camera

Install the camera unit

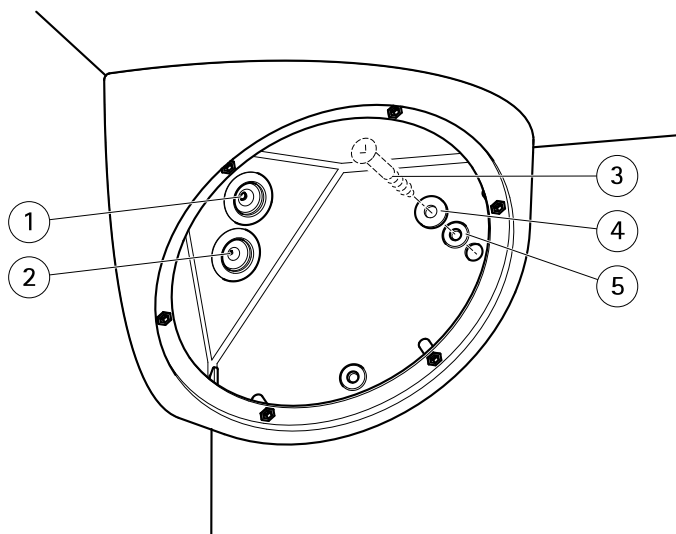
1. Remove the gaskets from the top- and side holes in the back chassis.
2. Position the back chassis in the corner between the ceiling and the walls. Use a pencil to make marks for the screws through the top- and side holes.



- 1 Cable gasket, network
- 2 Cable gasket, I/O
- 3 Screw (not included)
- 4 Washer
- 5 Gasket

3. Drill holes for the screws in the ceiling and in the walls.
4. Plug the gaskets back it into their holes. The gaskets should fit snugly with no folds or bends.
5. Remove the network cable gasket from the back hole and route the network cable through this back hole.
6. If applicable: Remove the I/O cable gasket from the back hole and route the I/O cable through this back hole.
7. Pull the tab on the cable gasket to open it.
8. Attach the AXIS Connector Guard A on top of the RJ45 network connector. Drag the network cable gasket along the cable and plug the network cable gasket into its hole. The gasket should fit snugly with no folds or bends.
9. Remove the AXIS Connector Guard A from the top of the RJ45 network connector.

10. If applicable: Pull the I/O cable through the I/O cable gasket before attaching the I/O connector to the cable. Plug the I/O cable gasket into its hole. The gasket should fit snugly with no folds or bends.
11. Attach the back chassis to the corner in the wall using screws appropriate for the wall and ceiling material. The screws should go through the washers and the gaskets to secure the IP66 sealing.

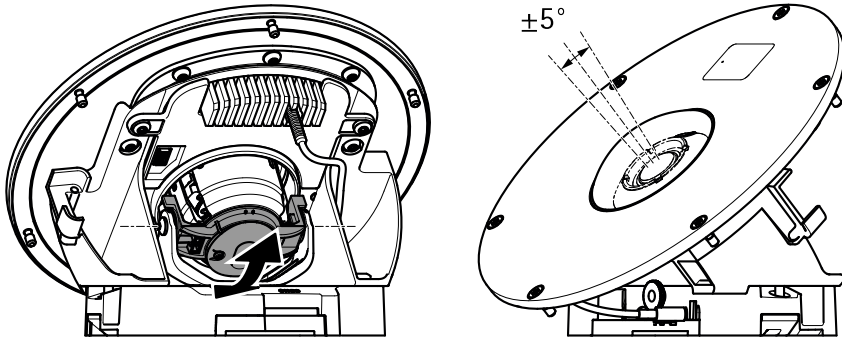


- 1 Cable gasket, network
- 2 Cable gasket, I/O
- 3 Screw (not included)
- 4 Washer
- 5 Gasket

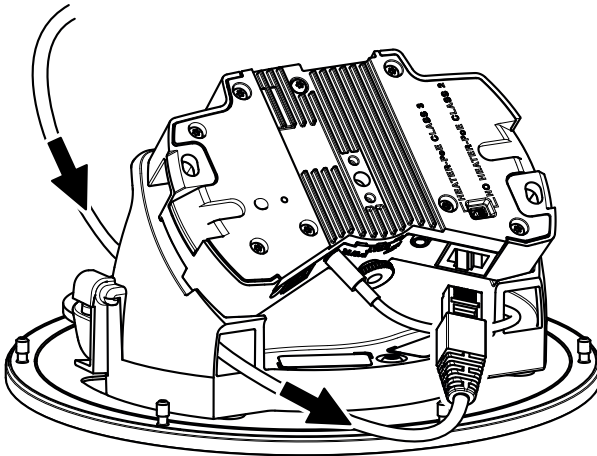
12. For optimized sealing: Apply a strip of flexible gap filler / mastic sealant along the sides of the back chassis. Ensure that any gaps between the back chassis and the ceiling / walls are filled.
13. If applicable: Insert an SD card (not included) into the SD card slot on the camera assembly.
14. If applicable: See *Install AXIS T8642 Mounting Kit A (sold separately) on page 15.*
15. If applicable: See *Install AXIS Door Switch A for intrusion detection (sold separately) on page 16*
16. If applicable: See *Install AXIS Q8414–LVS Smoked Dome (sold separately) on page 17.*
17. If applicable: See *Install AXIS Q8414–LVS IR Window B (sold separately) on page 17.*

AXIS Q8414-LVS Network Camera

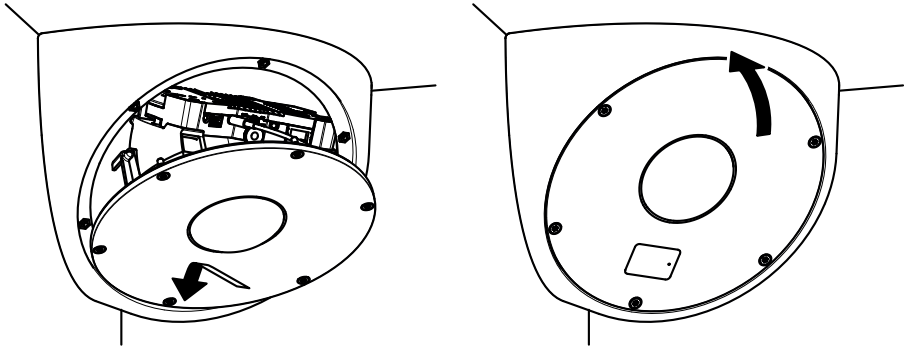
18. If necessary: Manually adjust the angle of the lens to adapt to the size and shape of the monitored area. For tilt positions, see *Set up the field of view on page 13*



19. Guide the network cable through the cable tunnel to the back of the camera assembly and plug the network cable into the network connector.



20. If applicable: Guide the I/O cable through the cable tunnel to the back of the camera assembly and plug the I/O cable into the I/O connector.
21. Hold the camera assembly so that the IR window on the front is in a six o'clock position, and place the bottom of the camera assembly against the bottom of the back chassis opening.



22. Fold the top of the camera assembly upwards until the camera assembly is pressed against the entire rim in the back chassis opening.

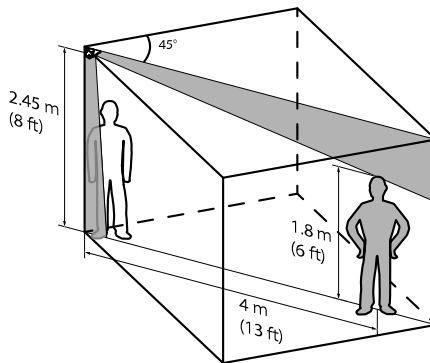
Important

Adjust the cable slack so that the cables are not squeezed between the sides of the camera assembly and the back chassis.

23. Attach the camera assembly to the back chassis using the screws (torque 2.5 Nm).
24. Remove the protective film on the front of the camera assembly.

Set up the field of view

Tilt the lens to obtain the optimal field of view that covers as much as possible of the monitored area.

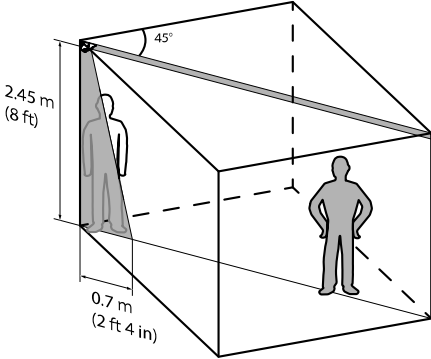
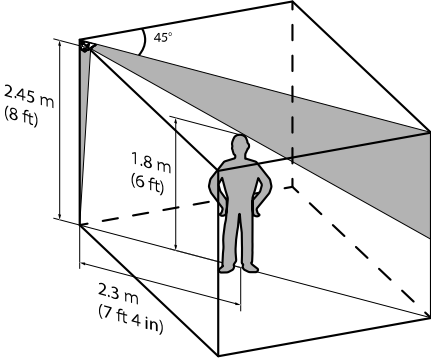


Maximum Tilt Positions for the Lens

Your tilt position for optimal field of view is found in between the maximum tilt positions.

AXIS Q8414–LVS Network Camera

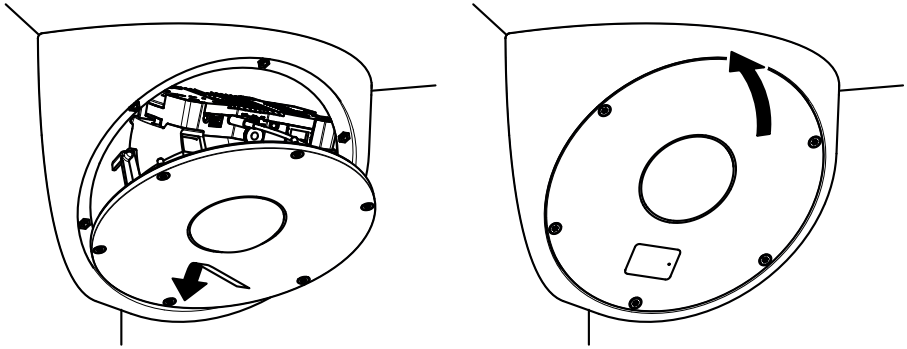
Maximum Tilt Positions for the Lens (Continued)

Tilt up	
Tilt down	

Install an SD card

It is optional to install a standard or high capacity SD card (not included), which can be used for local recording with removable storage.

1. Loosen the screws in the front and remove the camera assembly.
2. Insert an SD card (not included) into the SD card slot.
3. Hold the camera assembly so that the IR window on the front is in a six o'clock position, and place the bottom of the camera assembly against the bottom of the back chassis opening.



4. Fold the top of the camera assembly upwards until the camera assembly is pressed against the entire rim in the back chassis opening.

Important

Adjust the cable slack so that the cables are not squeezed between the sides of the camera assembly and the back chassis.

5. Attach the camera assembly to the back chassis using the screws (torque 2.5 Nm).

NOTICE

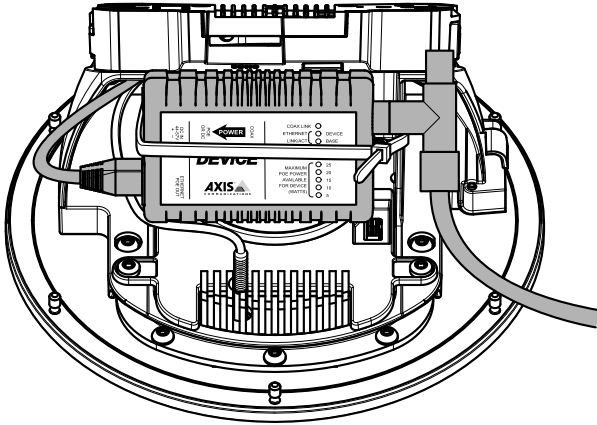
To prevent corruption of recordings, the SD card should be unmounted before it is ejected. To unmount, go to **Setup > System Options > Storage > SD Card** and click **Unmount**.

Install AXIS T8642 Mounting Kit A (sold separately)

The contents of this accessory kit makes it possible to mount an Ethernet Over Coax Adaptor (not included) that enables camera installers to keep the legacy coax cabling when converting an analog system to digital. It delivers standard PoE and centrally-sourced power with no new cables required.

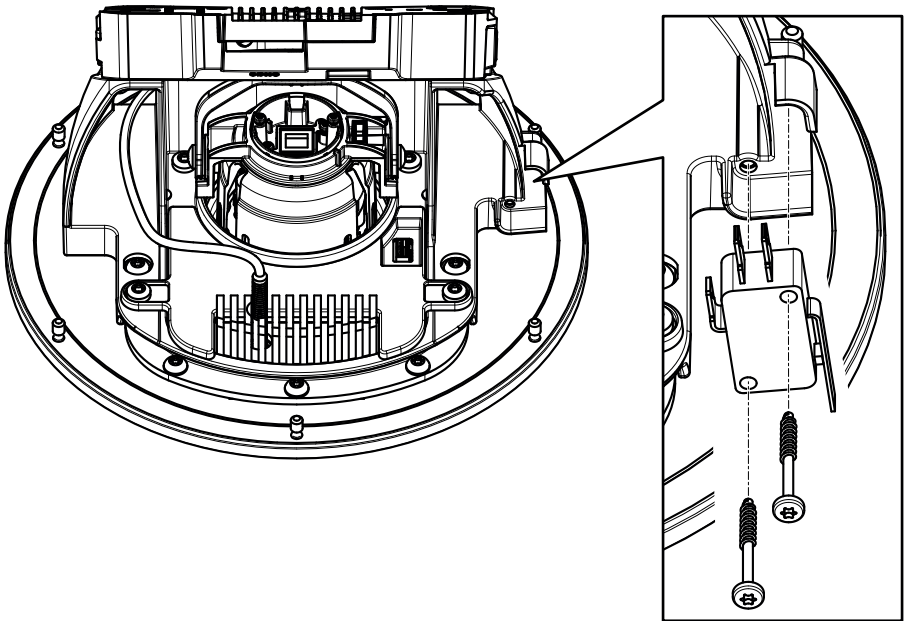
1. Attach the angled BNC connector to the AXIS T8642 device.
2. Plug the network cable into the network connector on the AXIS T8642 device.
3. Guide the other end of the network cable through the cable tunnel to the back of the camera assembly and plug the network cable into the network connector.
4. Guide the cable ties through the cable tunnels and attach the AXIS T8642 device to the camera assembly.

AXIS Q8414-LVS Network Camera



Install AXIS Door Switch A for intrusion detection (sold separately)

1. On the back of the camera assembly: place the switch in the empty compartment next to the cable tunnel.



2. Attach the switch to the compartment using the screws.
3. Guide the I/O cable through the cable tunnel to the back of the camera assembly.
4. Snip off any excessive length from the I/O cable and fit the I/O connector block to the I/O cable.
5. Plug the I/O connector block into the I/O connector.

Install AXIS Q8414–LVS Smoked Dome (sold separately)

1. Place the camera assembly with its front down on a raised surface, and ensure that the dome glass does not touch any objects from this position.
2. Loosen the black screws (T20) that attach the camera holder to the back of the camera assembly.
3. Unplug the microphone cable from the camera, pull the other end of the microphone cable through the camera holder and remove the microphone cable from the camera assembly.
4. Remove the camera holder from the back of the camera assembly.
5. Replace the clear glass dome in the front opening with a smoked glass dome.
6. Plug the microphone cable into the IR light window and drag the other end of the microphone cable through the camera holder.
7. Place the camera holder in its original position on the back of the camera assembly.

Important

Ensure that the IR light window is positioned in its compartment and that the microphone cable remains plugged into the IR light window.

8. Drag the microphone cable through the cable tunnel and connect the microphone cable to the camera.
9. Tighten the black screws (T20, torque 2.5 Nm) to attach the camera holder to the camera assembly.

Install AXIS Q8414–LVS IR Window B (sold separately)

This accessory kit is suitable for installations that do not require audio. The IR light windows are not equipped with microphone holes.

1. Place the camera assembly with its front down on a raised surface, and ensure that the dome glass does not touch any objects from this position.
2. Loosen the black screws (T20) that attach the camera holder to the back of the camera assembly.
3. Unplug the microphone cable from the camera, pull the other end of the microphone cable through the camera holder and remove the microphone cable from the camera assembly.
4. Remove the camera holder from the back of the camera assembly.
5. Replace the IR light window in the front opening with an IR light window from the kit.

AXIS Q8414–LVS Network Camera

6. Place the camera holder in its original position on the back of the camera assembly.

Important

Ensure that the IR light window is positioned in its compartment.

7. Tighten the black screws (T20, torque 2.5 Nm) to attach the camera holder to the camera assembly.

How to access the product

AXIS IP Utility and AXIS Camera Management are recommended methods for finding Axis products on the network and assigning them IP addresses in Windows®. Both applications are free and can be downloaded from www.axis.com/support

The product can be used with most operating systems and browsers. We recommend the following browsers:

- Internet Explorer® with Windows®
- Safari® with OS X®
- Chrome™ or Firefox® with other operating systems.

For more information about using the product, see the User Manual available at www.axis.com

Set focus and zoom

Focus and zoom should only be configured when installing or reinstalling the product.

1. Go to **Setup > Video Et Audio**.
2. On the focus page go to the **Basic** tab.
3. Set the zoom level using the slider.

Note

Movements in front of the camera should be avoided when performing autofocus.

4. Click **Perform autofocus**.
5. If the result is not satisfactory, go to the **Advanced** tab.

Note

Changing the zoom level moves the focus position. Focus should always be adjusted after changing the zoom.

On the **Advanced** tab, focus can be adjusted manually:

1. Click **Open iris** to open the iris to its maximum position. This gives the smallest depth of field and provides the best conditions for focusing.
2. Focus is set in the **Focus window**. Use the mouse to move and resize the focus window.
3. Click in the **Focus position** bar to focus on a desired location.
4. When satisfied, click **Enable iris** to enable the iris.

How to reset to factory default settings

Important

Reset to factory default should be used with caution. A reset to factory default resets all settings, including the IP address, to the factory default values.

To reset the product to the factory default settings:

1. Disconnect power from the product.
2. Press and hold the control button and reconnect power.
3. Keep the control button pressed for 15–30 seconds until the status LED indicator flashes amber.
4. Release the control button. The process is complete when the status LED indicator turns green. The product has been reset to the factory default settings. If no DHCP server is available on the network, the default IP address is 192.168.0.90
5. Using the installation and management software tools, assign an IP address, set the password, and access the video stream.

The installation and management software tools are available from the support pages at www.axis.com/support

It is also possible to reset parameters to factory default via the web interface. Go to **Setup > System Options > Maintenance** and click **Default**.

Maintenance

NOTICE

- To clean the Axis product, use soapy water or other multi-purpose cleaning agents (acidic, alkaline, neutral)* and follow the instructions provided by the manufacturer.
- If required, the Axis product can be cleaned with a water hose. Move the spray in a side-to-side motion.

* Do not use abrasive cleaning products.

Further information

- For the latest version of this document, see www.axis.com
- The user manual is available at www.axis.com
- To check if there is updated firmware available for your product, see www.axis.com/support
- For useful online trainings and webinars, see www.axis.com/academy

Optional Accessories

- AXIS T8642 Mounting Kit A (for installing a PoE Ethernet over Coax Adaptor inside the camera). See *page 15*.
- AXIS Door Switch A (for intrusion detection). See *page 16*.
- AXIS Q8414–LVS Smoked Dome (5 pcs). See *page 17*.
- AXIS Q8414–LVS IR Window B (solid window without microphone hole; 5 pcs). See *page 17*.
- I/O Audio Cable 5m (16 ft.)

For information about available accessories, see www.axis.com

Specifications

LED Indicators

Note

- The Status LED can be configured to be unlit during normal operation. To configure, go to **Setup > System Options > Ports & Devices > LED**. See the online help for more information.
- The Status LED can be configured to flash while an event is active.
- The Status LED can be configured to flash for identifying the unit. Go to **Setup > System Options > Maintenance**.

Status LED	Indication
Green	Steady green for normal operation.
Amber	Steady during startup. Flashes when restoring settings.
Red	Firmware upgrade failure.

Network LED	Indication
Green	Steady for connection to a 100 Mbit/s network. Flashes for network activity.
Amber	Steady for connection to a 10 Mbit/s network. Flashes for network activity.
Unlit	No network connection.

Power LED	Indication
Green	Normal operation.
Amber	Flashes green/amber during firmware upgrade.

SD card slot

NOTICE

- Risk of damage to SD card. Do not use sharp tools, metal objects, or excessive force when inserting or removing the SD card. Use your fingers to insert and remove the card.
- Risk of data loss and corrupted recordings. Do not remove the SD card while the product is running. Disconnect power or unmount the SD card from the product's webpage before removal.

This product supports SD/SDHC/SDXC cards (not included).

AXIS Q8414–LVS Network Camera

For SD card recommendations, see www.axis.com

Connectors

Network connector

RJ45 Ethernet connector with Power over Ethernet (PoE).

NOTICE

The product shall be connected using a shielded network cable (STP). All cables connecting the product to the network shall be intended for their specific use. Make sure that the network devices are installed in accordance with the manufacturer's instructions. For information about regulatory requirements, see *Electromagnetic compatibility (EMC)* on page 4.

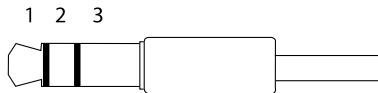
Audio connector

The Axis product has the following audio connectors:

- **Audio in (pink)** – 3.5 mm input for a mono microphone, or a line-in mono signal.
- **Audio out (green)** – 3.5 mm output for audio (line level) that can be connected to a public address (PA) system or an active speaker with a built-in amplifier. A stereo connector must be used for audio out.

For audio in, the left channel is used from a stereo signal.

3.5 mm audio connectors (stereo)



	1 Tip	2 Ring	3 Sleeve
Audio Input	Microphone/Line in		Ground
Audio Output	Line out, mono (stereo connector compatible)	Line out, mono (stereo connector compatible)	Ground

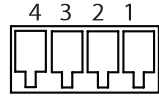
About I/O connectors

Use the I/O connector with external devices in combination with, for example, tampering alarms, motion detection, event triggering, and alarm notifications. In addition to the 0 V DC reference point and power (DC output), the I/O connector provides the interface to:

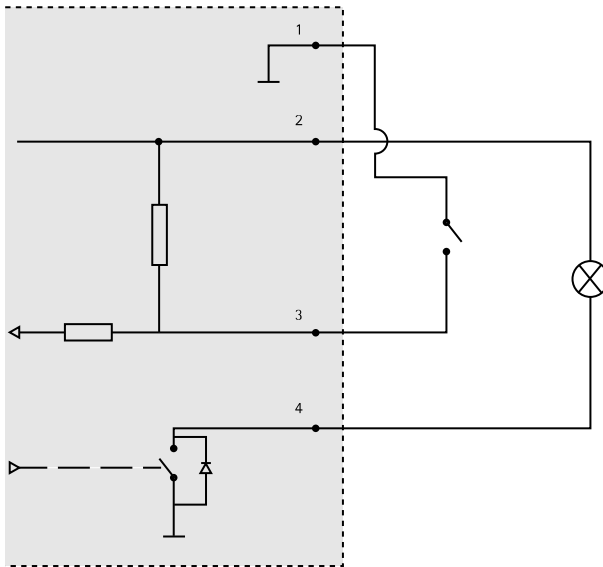
Digital output – For connecting external devices such as relays and LEDs. Connected devices can be activated by the VAPIX® Application Programming Interface or in the product's webpage.

Digital input - For connecting devices that can toggle between an open and closed circuit, for example PIR sensors, door/window contacts, and glass break detectors.

4-pin terminal block



Function	Pin	Notes	Specifications
0 V DC (-)	1		0 V DC
DC output	2	Can be used to power auxiliary equipment. Note: This pin can only be used as power out.	3.3 V DC Max load = 50 mA
Digital input	3	Connect to pin 1 to activate, or leave floating (unconnected) to deactivate	0 to max 40 V DC
Digital output	4	Connected to pin 1 when activated, floating (unconnected) when deactivated. If used with an inductive load, e.g. a relay, a diode must be connected in parallel with the load, for protection against voltage transients.	0 to max 40 V DC, open drain, 100 mA



1 0 VDC (-)

AXIS Q8414–LVS Network Camera

- 2 DC output 3.3 V, max 50 mA
- 3 Digital input 0 to max 40 V DC
- 4 Digital output 0 to max 40 V DC, open drain, 100 mA

Operating Conditions

The Axis product is intended for indoor use.

Product	Classification	Temperature	Humidity
AXIS Q8414–LVS	NEMA 250 Type 4X, IEC/EN 60529 IP66, Class 4M4 IEC 60721–3–4	0 °C to 50 °C (32 °F to 122 °F)	10–100% RH (condensing)

Power Consumption

NOTICE

Use a limited power source (LPS) with either a rated output power limited to ≤ 100 W or a rated output current limited to ≤ 5 A.

Product	PoE
AXIS Q8414–LVS	Power over Ethernet IEEE 802.3af/802.3at Type 1 Class 2, max. 6.2 W (limited IR)
	Power over Ethernet IEEE 802.3af/802.3at Type 1 Class 3, max. 8.7 W (full IR)

Safety information

Hazard levels

▲DANGER

Indicates a hazardous situation which, if not avoided, will result in death or serious injury.

▲WARNING

Indicates a hazardous situation which, if not avoided, could result in death or serious injury.

▲CAUTION

Indicates a hazardous situation which, if not avoided, could result in minor or moderate injury.

NOTICE

Indicates a situation which, if not avoided, could result in damage to property.

Other message levels

Important

Indicates significant information which is essential for the product to function correctly.

Note

Indicates useful information which helps in getting the most out of the product.

Safety instructions

NOTICE

- The Axis product shall be used in compliance with local laws and regulations.
- Axis recommends using a shielded network cable (STP) CAT5 or higher.
- Store the Axis product in a dry and ventilated environment.
- Do not install the product on unstable poles, brackets, surfaces or walls.
- Use only applicable tools when installing the Axis product. Using excessive force with power tools could cause damage to the product.
- Use only accessories that comply with the technical specification of your product. These can be provided by Axis or a third party. Axis recommends using Axis power source equipment compatible with your product.
- Use only spare parts provided by or recommended by Axis.
- Do not attempt to repair the product yourself. Contact Axis support or your Axis reseller for service matters.

Transportation

NOTICE

- When transporting the Axis product, use the original packaging or equivalent to prevent damage to the product.

Battery

The Axis product uses a 3.0 V BR2032 lithium battery as the power supply for its internal real-time clock (RTC). Under normal conditions this battery will last for a minimum of five years.

Low battery power affects the operation of the RTC, causing it to reset at every power-up. When the battery needs replacing, a log message will appear in the product's server report. For more information about the server report, see the product's setup pages or contact Axis support.

The battery should not be replaced unless required, but if the battery does need replacing, contact Axis support at www.axis.com/support for assistance.

Lithium coin cell 3.0 V batteries contain 1,2-dimethoxyethane; ethylene glycol dimethyl ether (EGDME), CAS no. 110-71-4.

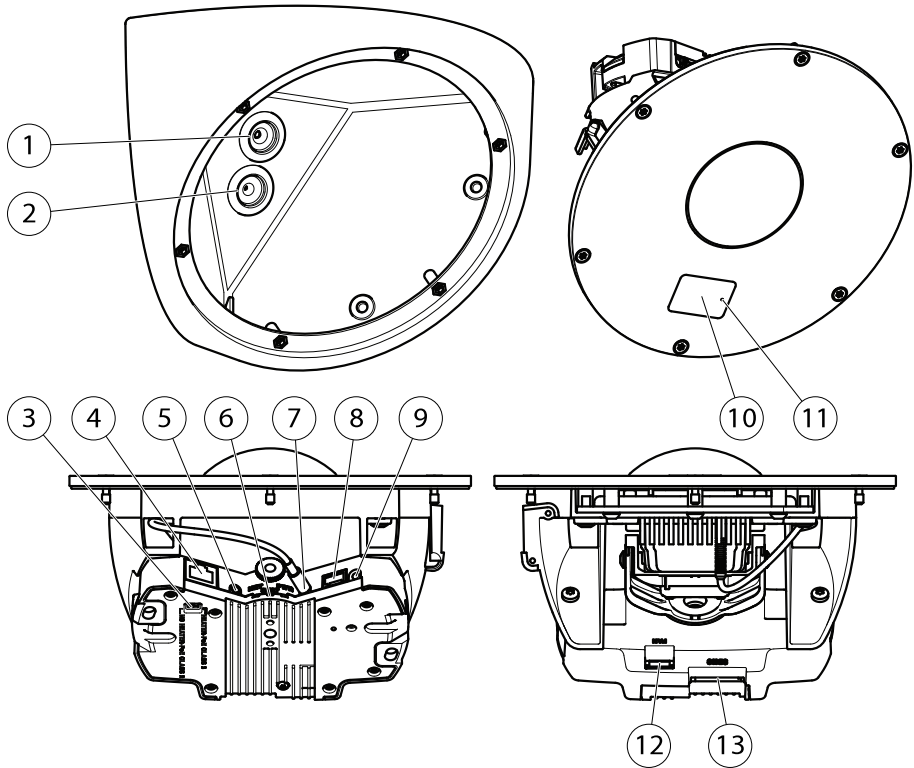
⚠ WARNING

- Risk of explosion if the battery is incorrectly replaced.
- Replace only with an identical battery or a battery which is recommended by Axis.
- Dispose of used batteries according to local regulations or the battery manufacturer's instructions.

Contenu de l'emballage

- Caméra réseau AXIS Q8414–LVS
- Rondelles (pour vis de montage)
- Protection du connecteur AXIS A
- Torx® embout TR20
- Bloc de connexion à 4 broches
- Documents imprimés
 - Guide d'installation (ce document)
 - Clé d'authentification AVHS

Vue d'ensemble du produit



- 1 Joint de câble (câble réseau)
- 2 Joint de câble (câble E/S ou audio)
- 3 Sélecteur de classe PoE *
- 4 Connecteur réseau
- 5 Connecteur de sortie audio
- 6 Voyants LED
- 7 Connecteur d'entrée audio
- 8 Connecteur d'E/S
- 9 Bouton de commande
- 10 Fenêtre infrarouge
- 11 Microphone
- 12 Non utilisé
- 13 Emplacement pour carte SD

* Utilisé pour basculer entre PoE Classe 2 (IR restreint) et PoE Classe 3 (IR maximal). Cf. page 50.

Comment installer le produit

Installation du matériel

AVIS

- Le produit doit être connecté à l'aide d'un câble réseau blindé (STP). Tous les câbles reliant le produit à l'injecteur doivent être blindés (STP) et destinés à leur usage spécifique. Assurez-vous que l'injecteur est convenablement mis à la terre. Pour plus d'informations sur les exigences réglementaires, consultez *Regulatory information on page 4*.
- Veillez à ne pas rayer, endommager ou laisser d'empreintes sur le couvercle du dôme car cela pourrait altérer la qualité d'image. Laissez, si possible, la protection en plastique sur la face avant de l'assemblage caméra jusqu'à la fin de l'installation.

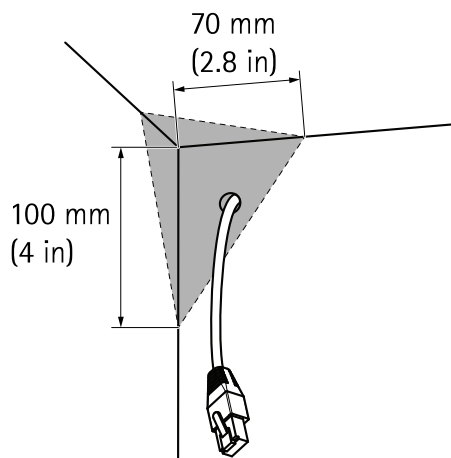
Le produit Axis peut être installé avec des câbles acheminés à travers le mur ou le plafond.

Lisez toutes les instructions avant l'installation de l'appareil. Il est préférable de réaliser certaines étapes en même temps parce qu'elles exigent le retrait de l'assemblage caméra.

- Une carte SD standard ou à haute capacité (non fournie) peut être utilisée pour sauvegarder des enregistrements dans l'appareil. Pour installer une carte SD, consultez *page 37*.
- Pour acheminer les câbles avant l'installation du produit, consultez *page 31*.
- Pour installer le produit, consultez *page 32*.

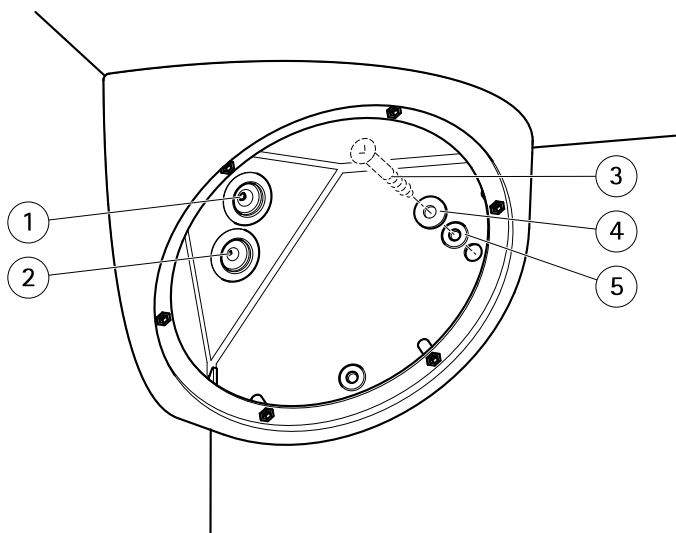
Acheminement des câbles

1. Mesurez une zone triangulaire à l'angle des parois murales et du plafond.
2. Faites passer le câble réseau (ainsi que le câble d'E/S audio, si nécessaire) à travers cette zone triangulaire.



Installation de la caméra

1. Retirez les joints des trous supérieurs et latéraux du châssis arrière.
2. Positionnez le châssis arrière à l'angle des parois murales et du plafond. À l'aide d'un crayon, repérez l'emplacement des vis à travers les trous.

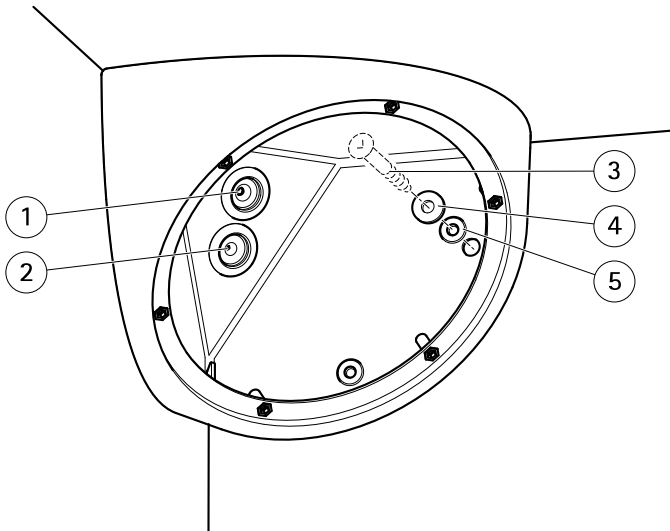


1 Joint de câble, réseau

- 2 *Joint de câble, E/S*
- 3 *Vis (non fournie)*
- 4 *Rondelle*
- 5 *Joint*

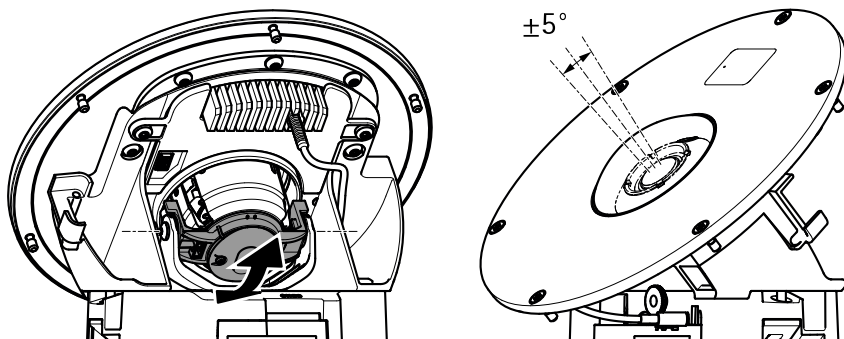
3. Percez les trous pour les vis dans le plafond et dans les murs.
4. Remettez les joints dans les trous. Les joints doivent être parfaitement ajustés, sans plis ni courbures.
5. Retirez le joint du câble réseau et faites passer le câble réseau à travers cet orifice.
6. Le cas échéant : retirez le joint du câble d'E/S et faites passer le câble d'E/S à travers cet orifice.
7. Tirez sur la patte du joint de câble pour l'ouvrir.
8. Fixez la protection du connecteur AXIS A sur la partie supérieure du connecteur réseau RJ45. Faites glisser le joint du câble réseau le long du câble et branchez le câble réseau dans son trou. Le joint doit être parfaitement ajusté, sans plis ni courbures.
9. Déposez la protection du connecteur AXIS A sur la partie supérieure du connecteur réseau RJ45.
10. Le cas échéant : faites passer le câble d'E/S à travers le joint avant d'y fixer le connecteur d'E/S. Remettez le joint du câble d'E/S dans son trou. Le joint doit être parfaitement ajusté, sans plis ni courbures.
11. Fixez le châssis arrière à l'angle du mur à l'aide de vis appropriées au matériau du mur et du plafond. Les vis doivent traverser les rondelles et les joints pour garantir une étanchéité conforme à la norme IP66.

AXIS Q8414-LVS Network Camera

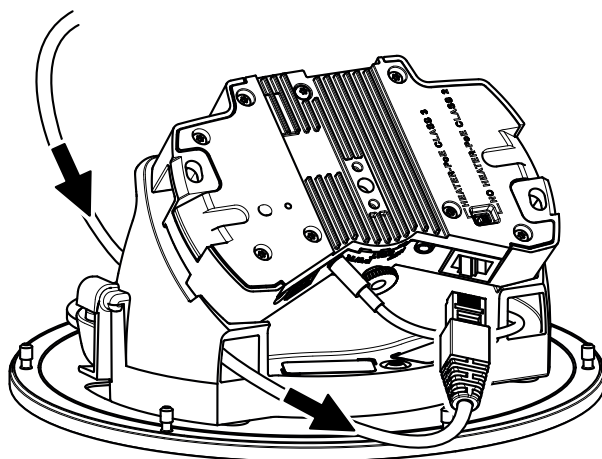


- 1 Joint de câble, réseau
- 2 Joint de câble, E/S
- 3 Vis (non fournie)
- 4 Rondelle
- 5 Joint

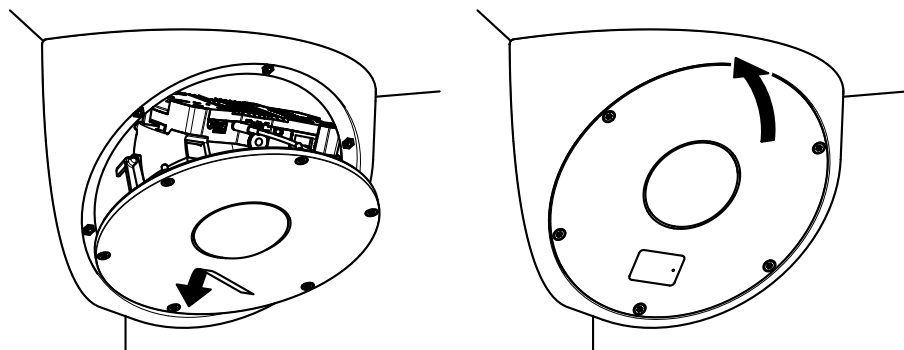
- 12. Pour une étanchéité parfaite : appliquez un enduit de rebouchage ou un joint mastic le long du châssis arrière. Veillez à reboucher tous les interstices entre le châssis arrière et les parois murales ou le plafond.
- 13. Le cas échéant : insérez une carte SD (non fournie) dans l'emplacement pour carte SD de la caméra.
- 14. Le cas échéant : cf. *Installation du kit de montage A AXIS T8642 (vendu séparément) page 38.*
- 15. Le cas échéant : cf. *Installation de l'interrupteur de porte AXIS A (vendu séparément) pour la détection des intrusions page 39.*
- 16. Le cas échéant : cf. *Installation du dôme fumé AXIS Q8414-LVS (vendu séparément) page 40.*
- 17. Le cas échéant : cf. *Installation de la fenêtre infrarouge B AXIS Q8414-LVS (vendue séparément) page 40.*
- 18. Si nécessaire : réglez manuellement l'angle de l'objectif en fonction de la zone surveillée. En cas de position inclinée, cf. *Réglage du champ de vision page 36.*



19. Faites passer le câble réseau dans le conduit pour accéder à l'arrière de l'assemblage caméra et branchez le câble réseau au connecteur réseau.



20. Le cas échéant : faites passer le câble d'E/S dans le conduit pour accéder à l'arrière de l'assemblage caméra et branchez le câble d'E/S au connecteur d'E/S.
21. Maintenez l'assemblage caméra de sorte que la fenêtre infrarouge sur la face avant soit positionnée à six heures, puis insérez le bas de l'assemblage sur la partie inférieure de l'ouverture du châssis arrière.



22. Remontez la partie supérieure de l'assemblage caméra jusqu'à ce qu'elle s'emboîte dans l'ouverture du châssis arrière.

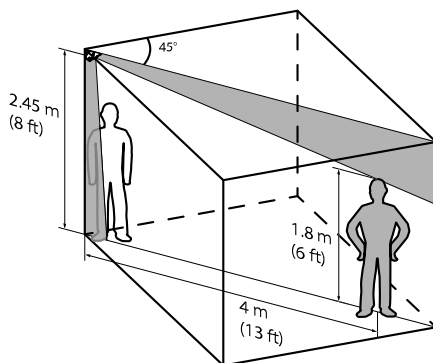
Important

Ajustez la longueur du câble afin d'éviter de le coincer entre l'assemblage et le châssis arrière.

23. Fixez l'assemblage caméra sur le châssis arrière à l'aide des vis (couple 2,5 Nm).
24. Retirez le film protecteur sur la face avant de l'assemblage caméra.

Réglage du champ de vision

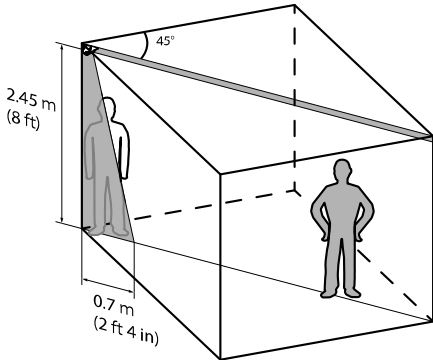
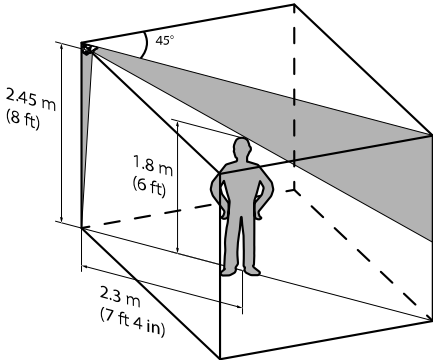
Inclinez les objectifs afin d'agrandir au maximal le champ de vision et couvrir au mieux la zone surveillée.



Inclinaison maximale de l'objectif

Le champ de vision optimal se situe entre les positions d'inclinaison maximales.

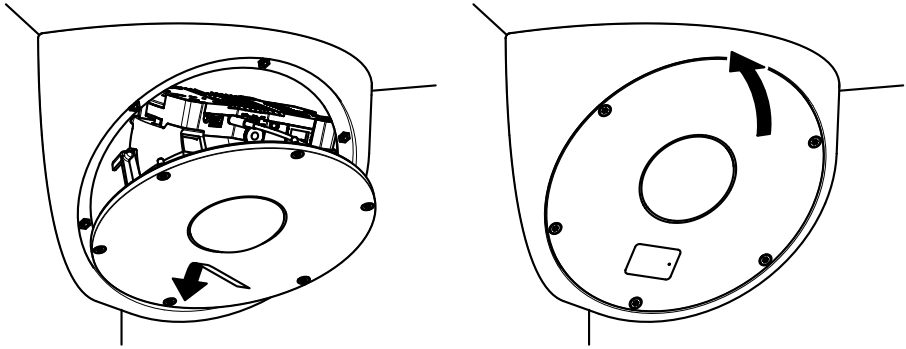
Inclinaison maximale de l'objectif (Suite)

<p>Inclinaison vers le haut</p>	
<p>Inclinaison vers le bas</p>	

Installation d'une carte SD

Il est possible, en option, d'installer une carte SD standard ou à haute capacité (non fournie) qui peut être utilisée pour l'enregistrement local et le stockage amovible.

1. Desserrez les vis sur la face avant et déposez l'assemblage caméra.
2. Insérez une carte SD (non fournie) dans l'emplacement pour carte SD.
3. Maintenez l'assemblage caméra de sorte que la fenêtre infrarouge sur la face avant soit positionnée à six heures, puis insérez le bas de l'assemblage sur la partie inférieure de l'ouverture du châssis arrière.



4. Remontez la partie supérieure de l'assemblage caméra jusqu'à ce qu'elle s'emboîte dans l'ouverture du châssis arrière.

Important

Ajustez la longueur du câble afin d'éviter de le coincer entre l'assemblage et le châssis arrière.

5. Fixez l'assemblage caméra sur le châssis arrière à l'aide des vis (couple 2,5 Nm).

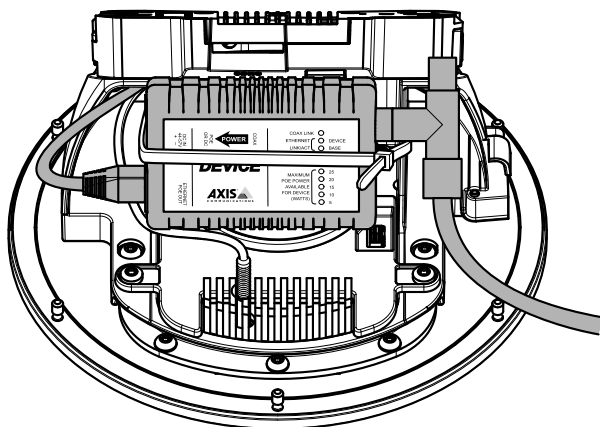
AVIS

Pour éviter la corruption des enregistrements, la carte SD doit être démontée avant son éjection. Pour ce faire, rendez-vous dans **Setup > System Options > Storage > SD Card** (Configuration > Options du système > Stockage > Carte SD) et cliquez sur **Unmount** (Démonter).

Installation du kit de montage A AXIS T8642 (vendu séparément)

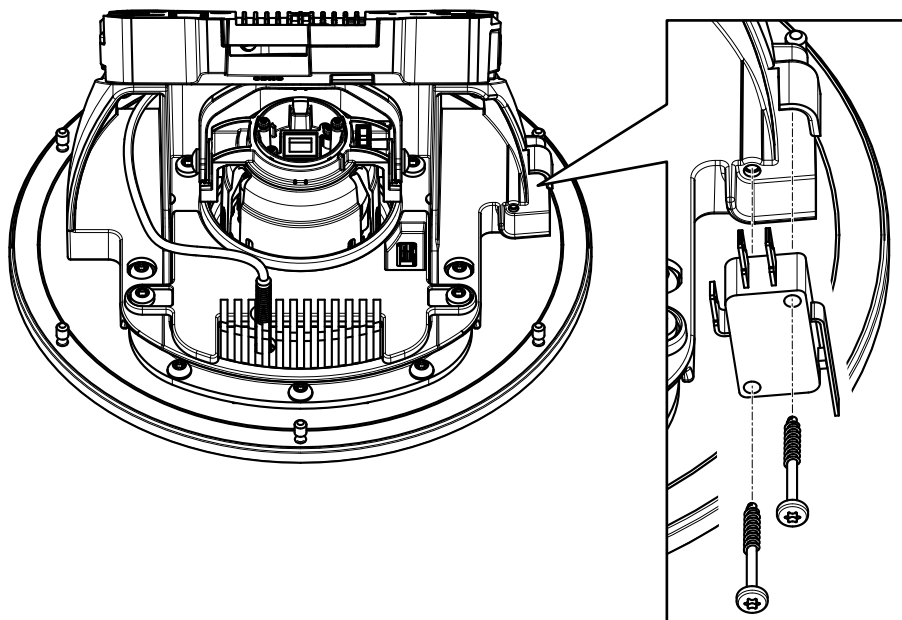
Le contenu de ce kit d'accessoires rend possible le montage d'un adaptateur Ethernet sur câble coaxial (non inclus) qui permet aux installateurs de conserver le câble coaxial existant tout en passant d'un système analogique à un système numérique..

1. Fixez le connecteur BNC d'angle au dispositif AXIS T8642.
2. Reliez le câble réseau au connecteur réseau du dispositif AXIS T8642.
3. Faites passer l'autre extrémité du câble dans le conduit pour accéder à l'arrière de l'assemblage caméra et branchez le câble réseau au connecteur réseau.
4. Guidez les attaches de câble à travers le conduit et fixez le dispositif AXIS T8642 à l'assemblage caméra.



Installation de l'interrupteur de porte AXIS A (vendu séparément) pour la détection des intrusions

1. Sur la face arrière de l'assemblage caméra : placez l'interrupteur dans le compartiment vide à côté du conduit pour câbles.



AXIS Q8414–LVS Network Camera

2. Fixez l'interrupteur au compartiment à l'aide des vis.
3. Faites passer le câble d'E/S dans le conduit pour accéder à l'arrière de la caméra.
4. Coupez tout excédent de câble et fixez le bloc de connexion au câble d'E/S.
5. Branchez le bloc de connexion au connecteur d'E/S.

Installation du dôme fumé AXIS Q8414–LVS (vendu séparément)

1. Posez la face avant de l'assemblage caméra sur une surface surélevée en veillant à ce que la vitre du dôme ne touche aucun objet.
2. Desserrez les vis noires (T20) qui maintiennent le support de la caméra sur l'arrière de l'assemblage.
3. Débranchez le câble du microphone de la caméra, tirez sur l'autre extrémité du câble pour le faire glisser dans le support et le retirer de l'assemblage caméra.
4. Déposez le support situé à l'arrière de l'assemblage caméra.
5. Remplacez le dôme en verre transparent situé en face avant avec un dôme en verre fumé.
6. Branchez le câble du microphone dans la fenêtre infrarouge et faites-le passer dans le support de la caméra.
7. Remplacez le support dans sa position d'origine, à l'arrière de l'assemblage caméra.

Important

Veillez à ce que la fenêtre infrarouge soit bien positionnée dans son compartiment et à ce que le câble du microphone ne se débranche pas dans la fenêtre infrarouge.

8. Faites passer le câble du microphone dans son conduit et raccordez-le à la caméra.
9. Serrez les vis noires (T20, couple de 2,5 Nm) pour fixer le support à l'assemblage caméra.

Installation de la fenêtre infrarouge B AXIS Q8414–LVS (vendue séparément)

Ce kit d'accessoires convient aux installations ne nécessitant pas la prise en charge audio. Les fenêtres infrarouge ne sont pas équipées d'orifices pour microphones.

1. Posez la face avant de l'assemblage caméra sur une surface surélevée en veillant à ce que la vitre du dôme ne touche aucun objet.
2. Desserrez les vis noires (T20) qui maintiennent le support de la caméra sur l'arrière de l'assemblage.
3. Débranchez le câble du microphone de la caméra, tirez sur l'autre extrémité du câble pour le faire glisser dans le support et le retirer de l'assemblage caméra.
4. Déposez le support situé à l'arrière de l'assemblage caméra.
5. Remplacez la fenêtre infrarouge en face avant avec celle fournie dans le kit.
6. Remplacez le support dans sa position d'origine, à l'arrière de l'assemblage caméra.

Important

Veillez à ce que la fenêtre infrarouge soit bien positionnée dans son compartiment.

7. Serrez les vis noires (T20, couple de 2,5 Nm) pour fixer le support à l'assemblage caméra.

Comment accéder au produit

Si vous souhaitez rechercher des produits Axis sur le réseau ou leur affecter des adresses IP sous Windows®, nous recommandons l'utilisation des applications AXIS IP Utility et AXIS Camera Management. Ces deux applications sont gratuites et peuvent être téléchargées depuis www.axis.com/support

FR

Le produit peut être utilisé avec la plupart des systèmes d'exploitation et des navigateurs. Nous recommandons les navigateurs suivants :

- Internet Explorer® avec Windows®,
- Safari® avec OS X®
- Chrome™ ou Firefox® avec les autres systèmes d'exploitation.

Pour plus d'informations concernant l'utilisation du produit, consultez le manuel de l'utilisateur disponible sur le site www.axis.com

Régler la mise au point et le zoom :

La mise au point et le zoom doivent être configurés uniquement lors de l'installation ou de la réinstallation du produit.

1. Accédez à **Setup > Video Et Audio (Configuration > Vidéo > Configuration > Vidéo et audio)**.
2. Sur la page mise au point, accédez à l'onglet **Base**.
3. Réglez le niveau du **zoom** à l'aide du curseur.

Note

Les mouvements devant la caméra doivent être évités lors de la mise au point.

4. Cliquez sur **Faire une mise au point automatique**.
5. Si le résultat n'est pas satisfaisant, accédez à l'onglet **Avancé**.

Note

Le changement du niveau de zoom modifie la position de mise au point. La mise au point doit donc toujours être réglée après le changement du zoom.

Dans l'onglet **Advanced (Avancé)**, la mise au point peut être réglée manuellement :

1. Cliquez sur **Open iris (Ouvrir l'iris)** pour ouvrir l'iris en position maximale. La plus petite profondeur de champ est ainsi obtenue et offre les meilleures conditions pour une mise au point correcte.
2. La mise au point se règle dans la **fenêtre de mise au point**. Utilisez la souris pour déplacer et redimensionner la fenêtre de mise au point.
3. Cliquez dans la barre **Position de mise au point** pour effectuer la mise au point sur un élément spécifique.
4. Une fois que le réglage vous convient, cliquez sur **Activer l'iris** pour activer l'iris.

Comment réinitialiser les paramètres par défaut

Important

La réinitialisation aux paramètres par défaut doit être utilisée avec prudence. Cette opération reconfigure tous les paramètres, y compris l'adresse IP, aux valeurs d'usine par défaut.

Pour réinitialiser l'appareil aux paramètres d'usine par défaut :

1. Déconnectez l'alimentation de l'appareil.
2. Maintenez le bouton de commande enfoncé et remettez l'appareil sous tension.
3. Maintenez le bouton de commande enfoncé pendant 15 à 30 secondes, jusqu'à ce que le voyant d'état passe à l'orange et clignote.
4. Relâchez le bouton de commande. Le processus est terminé lorsque le voyant d'état passe au vert. Les paramètres d'usine par défaut de l'appareil ont été rétablis. En l'absence d'un serveur DHCP sur le réseau, l'adresse IP par défaut est 192 . 168 . 0 . 90.
5. Utilisez les outils d'installation et de gestion pour attribuer une adresse IP, configurez le mot de passe et accédez au flux de données vidéo.

Les logiciels d'installation et de gestion sont disponibles sur les pages d'assistance du site www.axis.com/support

Il est également possible de rétablir les paramètres d'usine à partir de l'interface Web. Accédez à **Setup > System Options > Maintenance (Configuration > Options du système > Maintenance)** et cliquez sur **Default (Défaut)**.

Maintenance

AVIS

- Pour nettoyer le produit Axis, utilisez de l'eau savonneuse ou tout autre produit de nettoyage à usages multiples (sur base acide, alcaline ou neutre)* et suivez les instructions fournies par le fabricant.
- Si nécessaire, ce produit Axis peut être nettoyé à l'aide d'un jet d'eau. Déplacez le jet de manière latérale.

FR

* N'utilisez pas de produits de nettoyage abrasifs.

Informations complémentaires

- Pour la dernière version de ce document, consultez le site www.axis.com
- Le Manuel de l'utilisateur est disponible à l'adresse suivante : www.axis.com
- Pour vérifier si des mises à jour des logiciels sont disponibles pour votre appareil réseau, consultez le site www.axis.com/techsup.
- Pour en savoir plus sur les formations, les webinaires, les tutoriels et les guides, visitez le site www.axis.com/academy.

Accessoires en option

- Kit de montage A AXIS T8642 (pour l'installation d'un adaptateur Ethernet sur câble coaxial avec PoE à l'intérieur de la caméra). Cf. *page 38*.
- Interrupteur de porte AXIS A (pour la détection des intrusions). Cf. *page 39*.
- Dôme fumé AXIS Q8414–LVS (5 pièces). Cf. *page 40*.
- Fenêtre infrarouge B AXIS Q8414–LVS (fenêtre solide sans orifice pour microphone ; 5 pièces). Cf. *page 40*.
- Câble d'E/S audio de 5 m (16 pieds)

Pour plus d'informations sur les accessoires disponibles, consultez le site www.axis.com

Caractéristiques techniques

Voyants

Note

- Le voyant d'état peut être éteint pendant le fonctionnement normal. Pour ce faire, rendez-vous dans **Setup > System Options > Ports & Devices > LED (Configuration > Options système > Ports et dispositifs > DEL)**. Consultez l'aide en ligne pour plus d'informations.
- Le voyant d'état peut clignoter lorsqu'un événement est actif.
- Le voyant d'état peut clignoter pendant l'identification de l'appareil. Rendez-vous dans **Setup > System Options > Maintenance (Configuration > Options du système > Maintenance)**.

Voyant d'état	Indication
Vert	Vert et fixe en cas de fonctionnement normal.
Orange	Fixe pendant le démarrage. Clignote lors de la restauration des paramètres.
Rouge	Échec de la mise à niveau du microprogramme.

Voyant DEL réseau	Indication
Vert	Fixe en cas de connexion à un réseau de 100 Mbits/s. Clignote en cas d'activité réseau.
Orange	Fixe en cas de connexion à un réseau de 10 Mbits/s. Clignote en cas d'activité réseau.
Éteint	Pas de connexion réseau.

Voyant d'alimentation	Indication
Vert	Fonctionnement normal.
Orange	Le voyant vert/orange clignote pendant la mise à niveau du microprogramme.

Emplacement pour carte SD

AVIS

- La carte SD risque d'être endommagée. Ne pas utiliser d'outils tranchants ou d'objets métalliques et ne pas forcer lors de l'insertion ou du retrait de la carte SD. Utilisez vos doigts pour insérer et retirer la carte.

AXIS Q8414–LVS Network Camera

- Risque de perte de données et d'enregistrements corrompus. Ne retirez pas la carte SD tant que le produit est en fonctionnement. Débranchez l'alimentation ou démontez la carte SD des pages Web du produit avant de la retirer.

Cet appareil est compatible avec une carte SD/SDHC/SDXC (non incluse).

Pour obtenir des conseils sur la carte SD, rendez-vous sur www.axis.com

Connecteurs

Connecteur réseau

Connecteur Ethernet RJ45 avec l'alimentation par Ethernet (PoE).

AVS

Le produit doit être connecté à l'aide d'un câble réseau blindé (STP). Tous les câbles reliant le produit au commutateur réseau doivent être destinés à leur usage spécifique. Assurez-vous que les périphériques réseau sont installés conformément aux instructions du fabricant. Pour plus d'informations sur les exigences réglementaires, consultez *Electromagnetic compatibility (EMC) on page 4*.

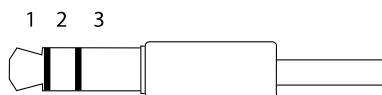
Connecteur audio

Le produit Axis dispose des connecteurs audio suivants :

- **Entrée audio (rose)** – entrée de 3,5 mm pour microphone mono ou signal d'entrée mono.
- **Sortie audio (verte)** : sortie de 3,5 mm (sortie de ligne) qui peut être connectée à un système de sonorisation (PA) ou à un haut-parleur actif avec amplificateur intégré. Il est recommandé d'utiliser un connecteur stéréo pour la sortie audio.

Pour l'entrée audio, le canal gauche d'un signal stéréo est utilisé.

Connecteurs
audio 3,5 mm (stéréo)



	1 Pointe	2 Anneau	3 Manchon
Entrée audio	Entrée micro/ligne	Tension de polarisation de microphone	Masse
Sortie audio	Sortie ligne, mono	Sortie ligne, mono	Masse

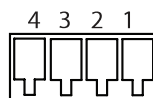
À propos des connecteurs d'E/S

Utilisez le connecteur d'E/S avec des périphériques externes, associés aux applications telles que les alarmes de détérioration, la détection de mouvement, le déclenchement d'événements et les notifications d'alarme. En plus du point de référence 0 V CC et de l'alimentation (sortie CC), le connecteur d'E/S fournit une interface aux éléments suivants :

Sortie numérique – Permet de connecter des dispositifs externes, comme des relais ou des voyants. Les appareils connectés peuvent être activés par l'interface de programmation VAPIX® ou dans les pages Web des produits.

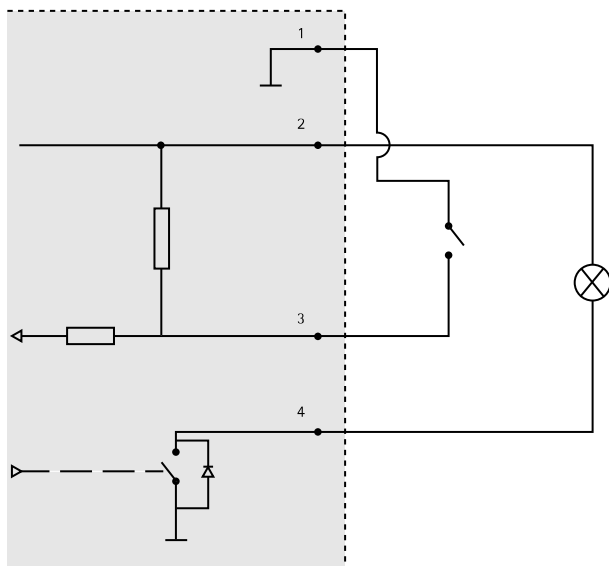
Entrée numérique – Pour connecter des dispositifs pouvant passer d'un circuit ouvert à un circuit fermé, par exemple capteurs infrarouge passifs, contacts de porte/fenêtre et détecteurs de bris de verre.

Bloc terminal à 4 broches



Fonction	Broche	Notes	Caractéristiques
0 V CC (-)	1		0 V CC
Sortie CC	2	Peut servir à alimenter le matériel auxiliaire. Remarque : cette broche ne peut être utilisée que comme sortie d'alimentation.	3,3 V CC Charge max. = 50 mA
Entrée numérique	3	Connectez-la à la broche 1 pour l'activer ou laissez-la flotter (déconnectée) pour la désactiver.	0 à 40 V CC
Sortie numérique	4	Connectée à la broche 1 lorsqu'elle est activée, flotte (déconnectée) lorsqu'elle est désactivée. Si vous l'utilisez avec une charge inductive, par exemple un relais, une diode doit être connectée en parallèle avec la charge, en guise de protection contre les tensions transitoires.	0 à 40 V CC max., drain ouvert, 100 mA

AXIS Q8414-LVS Network Camera



- 1 0 V CC (-)
- 2 Sortie CC 3,3 V, maxi. 50 mA
- 3 Entrée numérique 0 à max. 40 V CC
- 4 Entrée numérique 0 à max. 40 V CC, drain ouvert, max. 100 mA

Conditions d'utilisation

L'appareil Axis est uniquement destiné à une utilisation en intérieur.

Produit	Classification	Température	Humidité
AXIS Q8414-LVS	NEMA 250 Type 4X, IEC/EN 60529 IP66, Classe 4M4 IEC 60721-3-4	0 °C à 50 °C (32 °F à 122 °F)	10 à 100 % humidité relative (sans condensation)

Consommation électrique

AVIS

Utilisez une source d'alimentation limitée (LPS) dont la puissance de sortie nominale est limitée à ≤ 100 W ou dont le courant de sortie nominal est limité à ≤ 5 A.

AXIS Q8414-LVS Network Camera

Produit	PoE
AXIS Q8414-LVS	Alimentation par Ethernet IEEE 802.3af/802.3at Type 1 Classe 2, 6,2 W max. (IR restraint)
	Alimentation par Ethernet IEEE 802.3af/802.3at Type 1 Classe 3, 8,7 W max. (IR maximal)

FR

Informations sur la sécurité

Niveaux de risques

▲DANGER

Indique une situation dangereuse qui, si elle n'est pas évitée, entraînera le décès ou des blessures graves.

▲AVERTISSEMENT

Indique une situation dangereuse qui, si elle n'est pas évitée, pourrait entraîner le décès ou des blessures graves.

▲ATTENTION

Indique une situation dangereuse qui, si elle n'est pas évitée, pourrait entraîner des blessures légères ou modérées.

AVIS

Indique une situation qui, si elle n'est pas évitée, pourrait endommager l'appareil.

Autres niveaux de message

Important

Indique les informations importantes, nécessaires pour assurer le bon fonctionnement de l'appareil.

Note

Indique les informations utiles qui permettront d'obtenir le fonctionnement optimal de l'appareil.

Consignes de sécurité

AVIS

- Le produit Axis doit être utilisé conformément aux lois et réglementations locales en vigueur.
- Axis recommande d'utiliser un câble réseau blindé (STP) CAT5 ou supérieur.
- Conserver ce produit Axis dans un environnement sec et ventilé.
- Ne pas installer ce produit sur des poteaux, supports, surfaces ou murs instables.
- Utiliser uniquement des outils recommandés pour l'installation de l'appareil Axis. L'application d'une force excessive sur l'appareil avec des outils puissants pourrait l'endommager.
- Utiliser uniquement des accessoires conformes aux caractéristiques techniques de votre produit. Ils peuvent être fournis par Axis ou un tiers. Axis recommande d'utiliser un équipement d'alimentation Axis compatible avec votre produit.
- Utiliser uniquement les pièces de rechange fournies ou recommandées par Axis.
- Ne pas essayer de réparer vous-même ce produit. Contacter l'assistance technique d'Axis ou votre revendeur Axis pour des problèmes liés à l'entretien.

Transport

AVIS

- Lors du transport du produit Axis, utilisez l'emballage d'origine ou un équivalent pour éviter d'endommager le produit.

Batterie

Le produit Axis utilise une batterie au lithium BR2032 3,0 V comme alimentation de son horloge en temps réel interne (RTC). Dans des conditions normales, cette batterie a une durée de vie minimale de cinq ans.

Si la batterie est faible, le fonctionnement de l'horloge en temps réel peut être affecté et entraîner sa réinitialisation à chaque mise sous tension. Un message enregistré apparaît dans le rapport de serveur du produit lorsque la batterie doit être remplacée. Pour tout complément d'information concernant le rapport de serveur, reportez-vous aux pages de Configuration du produit ou contactez l'assistance technique d'Axis.

La batterie doit être remplacée uniquement en cas de besoin, et pour ce faire, contactez l'assistance technique d'Axis à l'adresse www.axis.com/support et obtenir de l'aide.

Les piles boutons 3,0 V au lithium contiennent du 1,2-diméthoxyéthane, éthylène glycol diméthyl éther (EGDME), CAS N° 110-71-4.

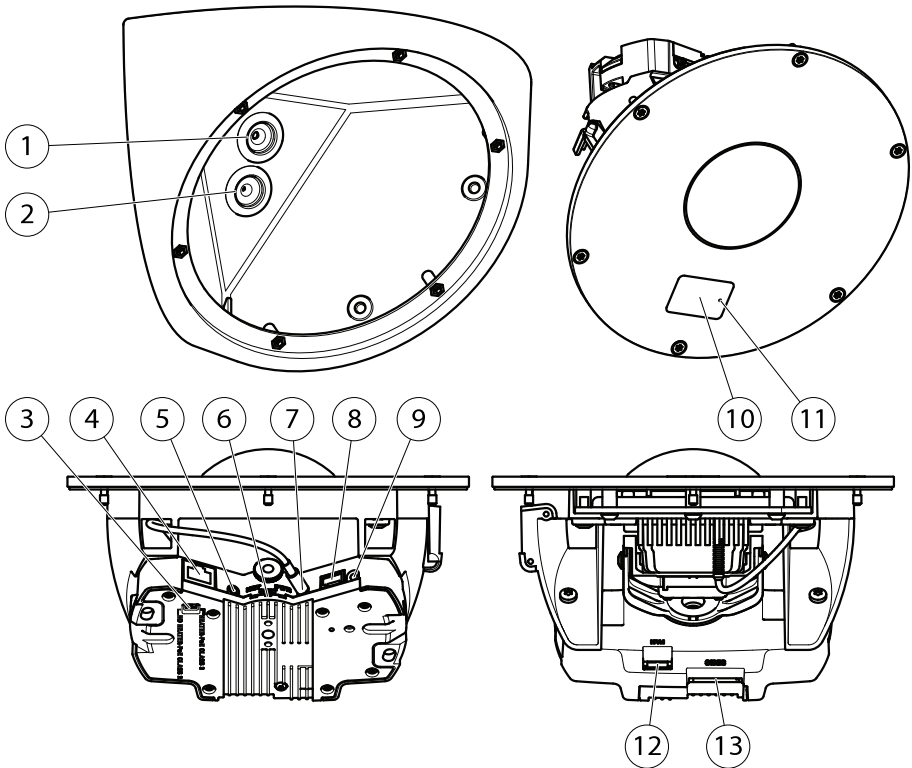
⚠ AVERTISSEMENT

- Risque d'explosion si la batterie est remplacée de façon incorrecte.
- Remplacez-la uniquement par une batterie identique ou une batterie recommandée par Axis.
- Mettez au rebut les batteries usagées conformément aux réglementations locales ou aux instructions du fabricant de la batterie.

Lieferumfang

- Netzwerk-Kamera AXIS Q8414-LVS
- Unterlegscheiben (für Montageschrauben)
- AXIS Steckerschutz A
- Torx® Bit TR20
- Vierpoliger Terminalanschluss
- Gedrucktes Material
 - Installationsanleitung (dieses Dokument)
 - AVHS-Authentifizierungsschlüssel

Produktübersicht



- 1 *Kabeldichtung (Netzwerkkabel)*
- 2 *Kabeldichtung (E/A- oder Audio-Kabel)*
- 3 *Auswahl der PoE-Klasse**
- 4 *Netzwerkanschluss*
- 5 *Anschluss für Audioausgang*
- 6 *LED-Anzeigen*
- 7 *Anschluss für Audioeingang*
- 8 *E/A-Anschluss*
- 9 *Steuertaste*
- 10 *IR-Fenster*
- 11 *Mikrofon*
- 12 *Nicht verwendet*
- 13 *SD-Karteneinschub*

* Für den Wechsel zwischen PoE-Klasse 2 (IR begrenzt) und PoE-Klasse 3 (IR unbegrenzt). Siehe Seite 78.

Installieren des Produkts

Die Hardware installieren

HINWEIS

- Das Produkt muss mit einem abgeschirmten Netzkabel (STP) angeschlossen werden. Alle Kabel, die das Produkt mit dem Midspan verbinden, müssen abgeschirmt (STP) und nur für die bestimmte Anwendung eingesetzt werden. Stellen Sie sicher, dass der Midspan vorschriftsmäßig geerdet ist. Informationen zu gesetzlichen Bestimmungen finden Sie unter *Regulatory information on page 4*.
- Achten Sie darauf die Kuppelabdeckung weder zu zerkratzen, zu beschädigen oder darauf Fingerabdrücke zu hinterlassen, da dies die Bildqualität beeinträchtigen kann. Entfernen Sie die Schutzfolie auf der Vorderseite der Kameraeinheit, wenn möglich, erst nachdem die Installation abgeschlossen ist.

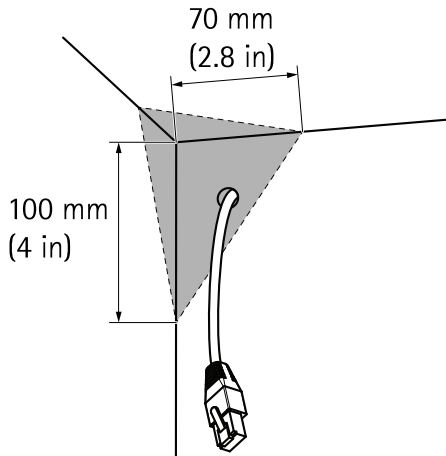
Das Axis Produkt kann mit durch oder entlang der Wand bzw. Decke verlegten Kabeln installiert werden.

Lesen Sie die Anleitung, bevor Sie das Produkt installieren. Manche Installationsschritte sollten besser zusammen ausgeführt werden, denn sie erfordern die Entfernung der Kameraeinheit.

- Eine Standard- oder SD-Karte mit hoher Kapazität (nicht enthalten) kann verwendet werden, um Aufnahmen direkt auf dem Produkt zu speichern. Weitere Informationen zur Installation einer SD-Speicherkarte finden Sie unter *Seite 66*.
- Weitere Informationen zur Kabelführung vor der Installation des Produkts finden Sie unter *Seite 60*.
- Weitere Informationen zur Installation des Produkts finden Sie unter *Seite 67*.

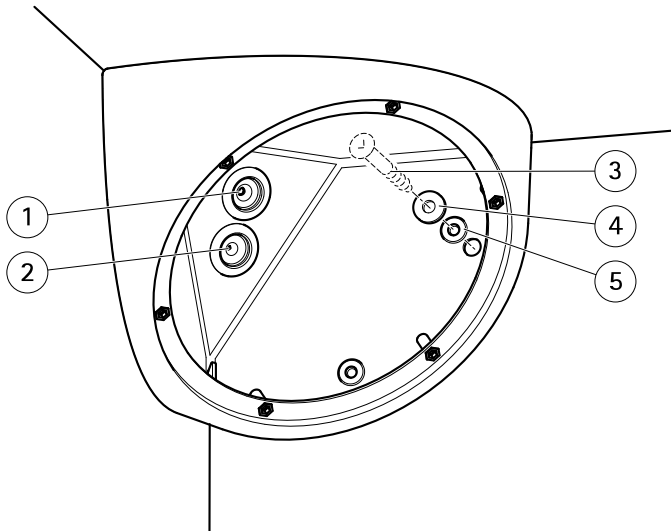
Führen der Kabel

1. Messen Sie einen dreieckigen Bereich in der Ecke zwischen der Decke und den Wänden ab.
2. Führen Sie das Netzkabel (sowie ggf. das E/A- bzw. Audiokabel) durch den dreieckigen Bereich der Wand.



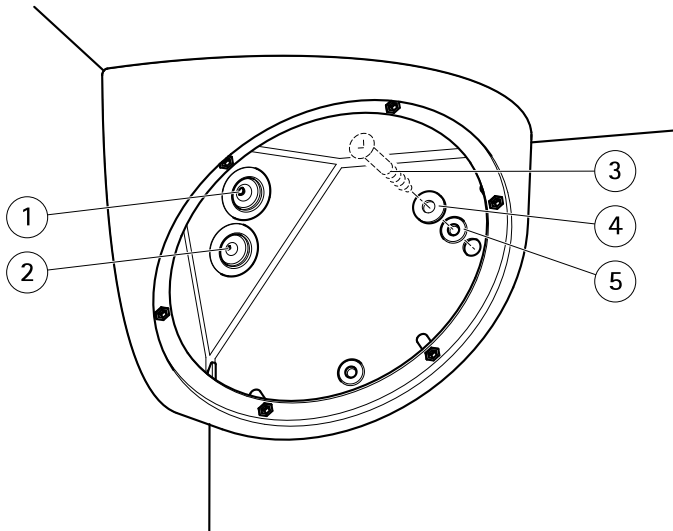
Die Kameraeinheit installieren

1. Die Dichtstopfen aus den Bohrungen oben und an den Seiten der Gehäuserückseite entfernen.
2. Positionieren Sie die Gehäuserückseite in die Ecke zwischen Decke und Wänden. Markieren Sie mit einem Bleistift anhand der Löcher oben und an den Seiten die Position der Schrauben (Bohrlöcher).



- 1 *Kabeldichtung, Netzwerk*
- 2 *Kabeldichtung, E/A*
- 3 *Schraube (nicht enthalten)*
- 4 *Unterlegscheibe*
- 5 *Dichtung*

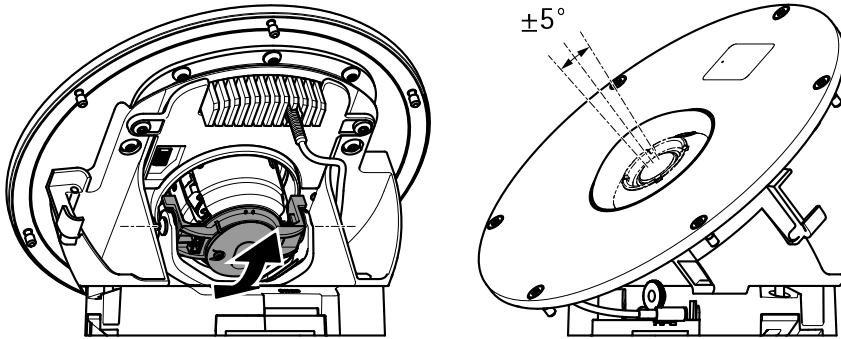
3. Bohren Sie in Decke und Wände Löcher für die Schrauben.
4. Setzen Sie die Dichtungen wieder ein. Die Dichtungen müssen ohne Falten oder Krümmungen fest sitzen.
5. Entfernen Sie die Dichtung des Netzkabels vom Loch in der Rückseite, und führen Sie das Netzkabel durch dieses.
6. Falls zutreffend: Entfernen Sie die Dichtung des E/A-Kabels vom Loch in der Rückseite, und führen Sie das E/A-Kabel durch dieses.
7. Ziehen Sie die Lasche an der Kabeldichtung, um diese zu öffnen.
8. Setzen Sie den AXIS Steckerschutz A auf den RJ45-Netzwerkstecker. Ziehen Sie die Dichtung des Netzkabels am Kabel entlang, und drücken Sie sie in das entsprechende Loch. Die Dichtung muss ohne Falten oder Krümmungen fest sitzen.
9. Entfernen Sie den AXIS Steckerschutz A vom RJ45-Netzwerkstecker.
10. Falls zutreffend: Ziehen Sie das E/A-Kabel durch die E/A-Kabeldichtung, bevor Sie den E/A-Stecker am Kabel anbringen. Drücken Sie die E/A-Kabeldichtung wieder in das entsprechende Loch. Die Dichtung muss ohne Falten oder Krümmungen fest sitzen.
11. Befestigen Sie den hinteren Gehäuseteil mit den geeigneten Schrauben und Dübeln in der gewünschten Ecke. Die Schrauben müssen mit Unterlegscheiben und Dichtungen versehen werden, um die Dichtigkeit gemäß IP66 zu gewährleisten.



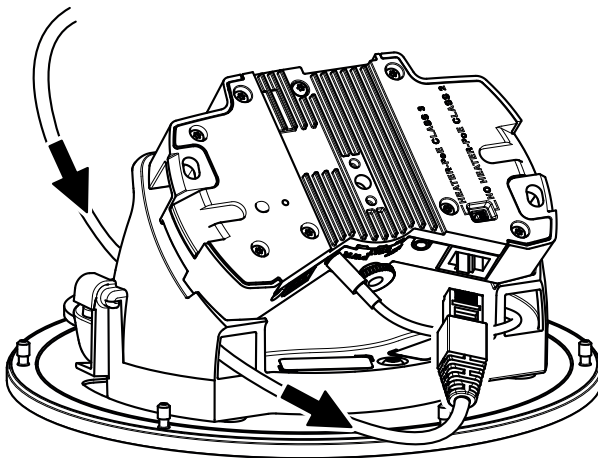
- 1 Kabeldichtung, Netzwerk
- 2 Kabeldichtung, E/A
- 3 Schraube (nicht enthalten)
- 4 Unterlegscheibe
- 5 Dichtung

12. Optimale Dichtigkeit: Dichten Sie die Seiten des hinteren Gehäuseteils mit flexiblem Füllstoff/dauerelastischer Dichtungsmasse ab. Stellen Sie sicher, dass alle Lücken zwischen Gehäuserückseite und Decke/Wänden gefüllt sind.
13. Falls zutreffend: Schieben Sie die SD-Karte (nicht enthalten) in den SD-Karteneinschub der Kameraeinheit.
14. Falls zutreffend: Siehe *Installieren des AXIS T8642 Montagesets A (separat erhältlich) auf Seite 67*.
15. Falls zutreffend: Siehe *Installieren von AXIS Türschalter A zur Einbruchserkennung (separat erhältlich) auf Seite 68*.
16. Falls zutreffend: Siehe *Installieren der getönten AXIS Q8414-LVS Kuppelabdeckung (separat erhältlich) auf Seite 69*.
17. Falls zutreffend: Siehe *Installieren von AXIS Q8414-LVS IR-Fenster B (separat erhältlich) auf Seite 69*.
18. Falls erforderlich: Stellen Sie die Winkel des Objektivs manuell auf den zu überwachenden Bereich ein. Informationen zu Neigepositionen finden Sie unter *Das Sichtfeld einrichten auf Seite 65*.

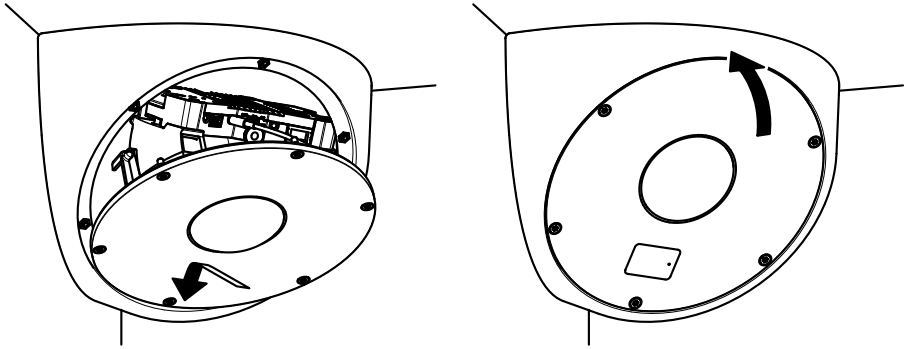
AXIS Q8414-LVS Network Camera



19. Führen Sie das Netzkabel durch die Kabelführung bis zur Rückseite der Kameraeinheit, und stecken Sie das Netzkabel in den Netzwerkanschluss.



20. Falls zutreffend: Führen Sie das E/A-Kabel durch die Kabelführung bis zur Rückseite der Kameraeinheit, und stecken Sie das E/A-Kabel in den E/A-Anschluss.
21. Halten Sie die Kameraeinheit so, dass das Infrarot-Fenster auf der Vorderseite direkt nach unten zeigt. Setzen Sie die Unterseite der Kameraeinheit in die Öffnung des hinteren Gehäuseteils ein.



DE

22. Klappen Sie die Kameraeinheit nach oben, bis diese vollständig auf dem Ring an der Öffnung des hinteren Gehäuseteils aufliegt.

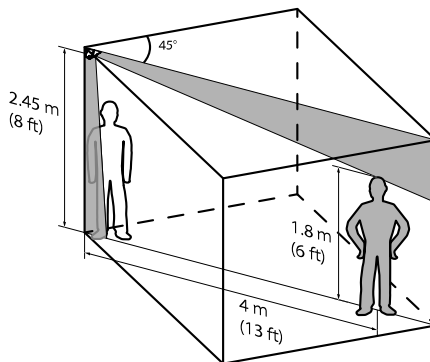
Wichtig

Passen Sie die Kabellänge so an, dass die Kabel nicht zwischen Kameraeinheit und Gehäuserückseite eingeklemmt werden.

23. Befestigen Sie die Kameraeinheit mithilfe der Schrauben am hinteren Gehäuseteil (Drehmoment 2,5 Nm).
24. Entfernen Sie die Schutzfolie von der Vorderseite der Kameraeinheit.

Das Sichtfeld einrichten

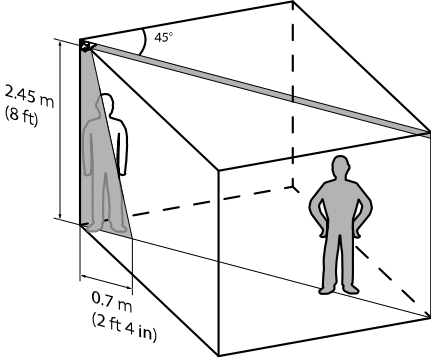
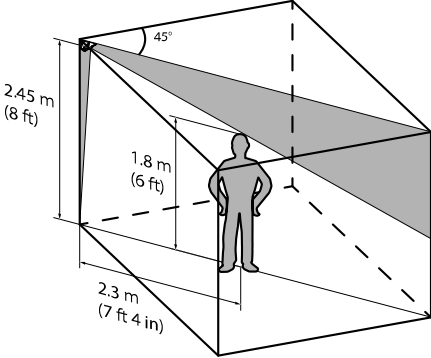
Das Objektiv neigen und dabei das Sichtfeld so optimieren, dass möglichst viel des zu überwachenden Bereichs erfasst wird.



AXIS Q8414-LVS Network Camera

Maximale Neigepositionen des Objektivs

Die Neigeposition für das optimale Sichtfeld liegt zwischen den maximalen Neigepositionen.

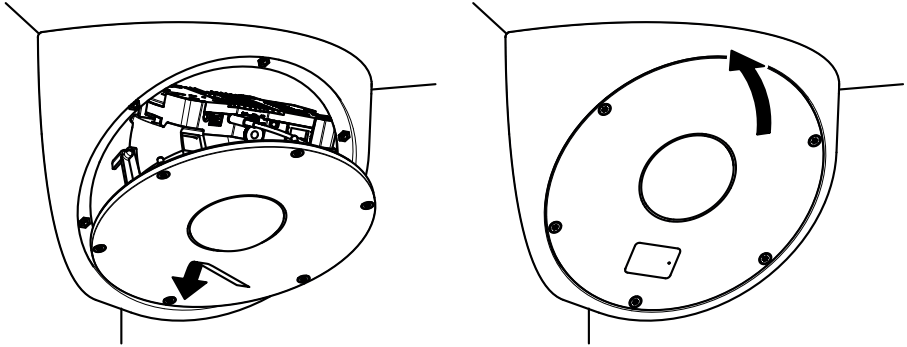
Nach oben neigen	
Nach unten neigen	

Installieren einer SD-Speicherkarte

Optional kann eine SD-Speicherkarte in Standardausführung oder großer Kapazität (nicht enthalten) installiert werden, um lokal auf Wechselspeichermedien aufzeichnen zu können.

1. Lösen Sie die Schrauben an der Vorderseite der Kamera, und entfernen Sie die Kameraeinheit.
2. Schieben Sie die SD-Karte (nicht enthalten) in den SD-Karteneinschub.

- Halten Sie die Kameraeinheit so, dass das Infrarot-Fenster auf der Vorderseite direkt nach unten zeigt. Setzen Sie die Unterseite der Kameraeinheit in die Öffnung des hinteren Gehäuseteils ein.



DE

4. Klappen Sie die Kameraeinheit nach oben, bis diese vollständig auf dem Ring an der Öffnung des hinteren Gehäuseteils aufliegt.

Wichtig

Passen Sie die Kabellänge so an, dass die Kabel nicht zwischen Kameraeinheit und Gehäuserückseite eingeklemmt werden.

5. Befestigen Sie die Kameraeinheit mithilfe der Schrauben am hinteren Gehäuseteil (Drehmoment 2,5 Nm).

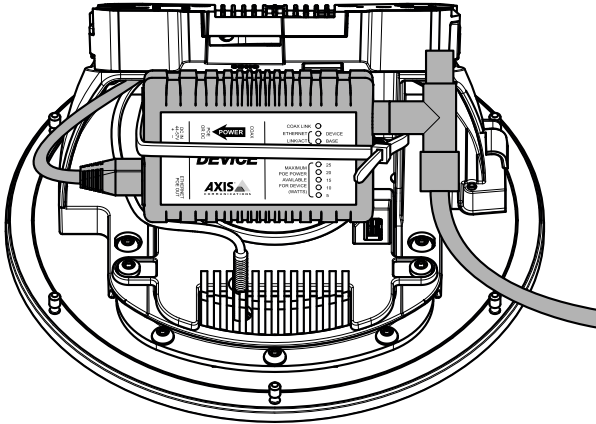
HINWEIS

Um die Beschädigung der Aufzeichnungen zu verhindern, muss die SD-Karte vor dem mechanischen Auswerfen getrennt (deaktiviert) werden. Rufen Sie zum Deaktivieren Setup > System Options > Storage > SD Card (Einrichten > Systemoptionen > Speicher > SD-Karte) auf und klicken Sie auf Unmount (Trennen).

Installieren des AXIS T8642 Montagesets A (separat erhältlich)

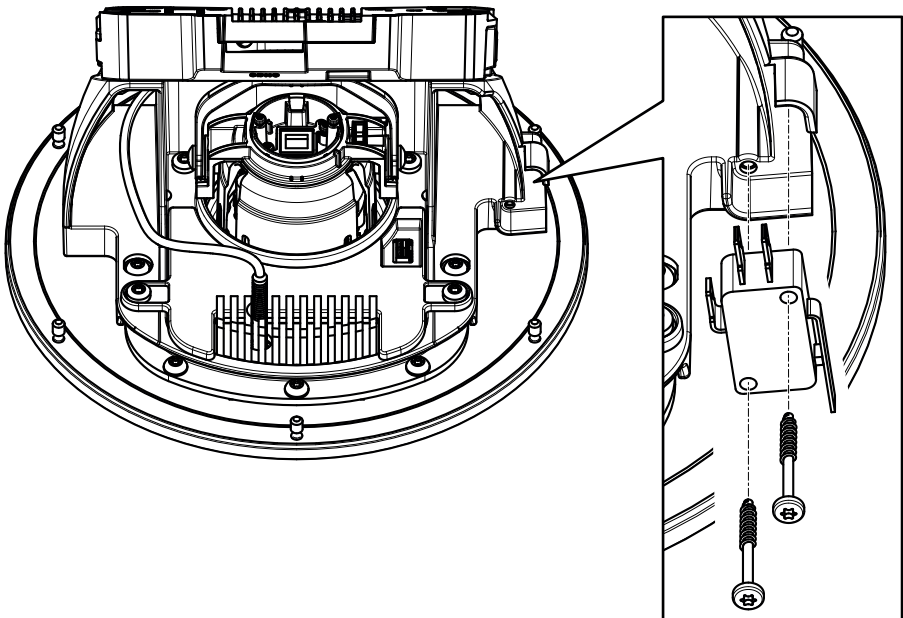
Das Zubehörset ermöglicht die Montage eines Ethernet-Over-Coax-Adapters (nicht im Lieferumfang enthalten), sodass die Koaxialverkabelung bei der Umstellung von einem Analog- auf ein Digitalsystem beibehalten werden kann.

- Bringen Sie den BNC-Winkelstecker am AXIS T8642-Gerät an.
- Schließen Sie das Netzkabel am Netzwerkanschluss des AXIS T8642-Geräts an.
- Führen Sie das andere Ende des Netzkabels durch die Kabelführung bis zur Rückseite der Kameraeinheit, und stecken Sie das Netzkabel in den Netzwerkanschluss.
- Führen Sie die Kabelbinder durch die Kabelführung, und bringen Sie das AXIS T8642-Gerät an der Kameraeinheit an.



Installieren von AXIS Türschalter A zur Einbruchserkennung (separat erhältlich)

1. Auf der Rückseite der Kameraeinheit: Setzen Sie den Schalter in die Aussparung neben der Kabelführung ein.



2. Befestigen Sie den Schalter mit den Schrauben in der Aussparung.
3. Führen Sie das E/A-Kabel durch die Kabelführung bis zur Rückseite der Kameraeinheit.
4. Schneiden Sie überschüssiges E/A-Kabel ab, und bringen Sie den E/A-Anschlussblock am E/A-Kabel an.
5. Stecken Sie den E/A-Anschlussblock in den E/A-Anschluss.

Installieren der getönten AXIS Q8414–LVS Kuppelabdeckung (separat erhältlich)

1. Legen Sie die Kameraeinheit mit der Vorderseite nach unten auf eine erhöhte Fläche. Achten Sie darauf, dass das Glas der Kuppel nicht anstößt.
2. Lösen Sie die schwarzen Schrauben (T20), mit denen die Kamerahalterung an der Rückseite der Kameraeinheit befestigt ist.
3. Trennen Sie das Mikrofonkabel von der Kamera, ziehen Sie das andere Ende des Mikrofonkabels durch die Kamerahalterung und entfernen Sie das Mikrofonkabel von der Kameraeinheit.
4. Entfernen Sie die Kamerahalterung von der Rückseite der Kameraeinheit.
5. Ersetzen Sie die durchsichtige Kuppel durch die getönte Kuppel.
6. Stecken Sie das Mikrofonkabel im IR-Fenster ein, und ziehen Sie das andere Ende des Mikrofonkabels durch die Kamerahalterung.
7. Setzen Sie die Kamerahalterung in der ursprünglichen Position auf die Rückseite der Kameraeinheit.

DE

Wichtig

Stellen Sie sicher, dass das IR-Fenster richtig eingesetzt und das Mikrofonkabel im IT-Fenster eingesteckt ist.

8. Ziehen Sie das Mikrofonkabel durch die Kabelführung, und schließen Sie das Mikrofonkabel an der Kamera an.
9. Befestigen Sie die Kamerahalterung mit den schwarzen Schrauben (T20, Drehmoment 2,5 Nm) an der Kameraeinheit.

Installieren von AXIS Q8414–LVS IR-Fenster B (separat erhältlich)

Dieses Zubehörset ist für Installationen ohne Audio geeignet. Die IR-Fenster verfügen nicht über Mikrofonlöchern.

1. Legen Sie die Kameraeinheit mit der Vorderseite nach unten auf eine erhöhte Fläche. Achten Sie darauf, dass das Glas der Kuppel nicht anstößt.
2. Lösen Sie die schwarzen Schrauben (T20), mit denen die Kamerahalterung an der Rückseite der Kameraeinheit befestigt ist.
3. Trennen Sie das Mikrofonkabel von der Kamera, ziehen Sie das andere Ende des Mikrofonkabels durch die Kamerahalterung und entfernen Sie das Mikrofonkabel von der Kameraeinheit.

4. Entfernen Sie die Kamerahalterung von der Rückseite der Kameraeinheit.
5. Ersetzen Sie das IR-Fenster in der vorderen Öffnung durch ein IR-Fenster aus dem Zubehörset.
6. Setzen Sie die Kamerahalterung in der ursprünglichen Position auf die Rückseite der Kameraeinheit.

Wichtig

Stellen Sie sicher, dass das IR-Fenster richtig eingesetzt ist.

7. Befestigen Sie die Kamerahalterung mit den schwarzen Schrauben (T20, Drehmoment 2,5 Nm) an der Kameraeinheit.

Zugriff auf das Produkt

Für die Suche nach Axis Produkten im Netzwerk und zur Zuweisung einer IP-Adresse unter Windows® werden AXIS IP Utility und AXIS Camera Management empfohlen. Beide Anwendungen sind kostenlos und können von www.axis.com/support heruntergeladen werden.

Das Produkt ist mit den meisten Betriebssystemen und Browsern kompatibel. Empfohlen werden folgende Browser:

- Internet Explorer® unter Windows®
- Safari® unter OS X®
- Chrome™ oder Firefox® unter anderen Betriebssystemen

Weitere Informationen zur Nutzung dieses Produkts finden Sie im Benutzerhandbuch unter www.axis.com.

Einstellen von Fokus und Zoom

Fokus und Zoom sollten nur beim Installieren oder Neuinstallieren des Produkts eingestellt werden.

1. **Setup > Video & Audio** aufrufen.
2. Auf der Seite Focus die Registerkarte **Basic (Grundeinstellungen)** öffnen.
3. Mithilfe des Schiebereglers die **Zoomstufe** einstellen.

Beachten

Während der automatischen Fokussierung darf die Kamera keine Bewegungen erfassen.

4. **Perform autofocus (Automatisch fokussieren)** anklicken.
5. Falls das Ergebnis nicht zufriedenstellend ist, die Registerkarte **Advanced (Erweitert)** aufrufen.

Beachten

Das Ändern der Zoomstufe ändert auch die Fokusposition. Nach der Änderung des Zooms muss der Fokus stets angepasst werden.

Auf der Registerkarte **Advanced (Erweitert)** kann der Fokus manuell eingestellt werden:

1. Klicken Sie auf **Open iris (Blende öffnen)**, um die Blende in der Maximalstellung zu öffnen. Dadurch wird die geringste Schärfentiefe erreicht, wodurch für die Fokussierung die optimalen Bedingungen gegeben sind.
2. Der Fokus wird im Fenster **Focus (Fokus)** eingestellt. Mithilfe der Maus können Sie das Fokusfenster verschieben und dessen Größe verändern.
3. In der Leiste **Focus position (Fokusposition)** den gewünschten Fokus auswählen.
4. Bei zufriedenstellendem Ergebnis **Enable iris (Blende aktivieren)** anklicken.

Zurücksetzen auf die werksseitigen Standardeinstellungen

Wichtig

Die Funktion zum Zurücksetzen auf die werksseitigen Standardeinstellungen sollte mit Vorsicht verwendet werden. Mit dieser Funktion werden alle Einstellungen einschließlich der IP-Adresse auf die werksseitigen Standardeinstellungen zurückgesetzt.

So wird das Produkt auf die werksseitigen Standardeinstellungen zurückgesetzt:

1. Trennen Sie das Produkt von der Stromversorgung.
2. Halten Sie die Steuertaste gedrückt und stecken Sie den Netzstecker wieder ein.
3. Die Steuertaste etwa 15 bis 30 Sekunden gedrückt halten, bis die LED-Statusanzeige gelb blinkt.
4. Lassen Sie die Steuertaste los. Der Vorgang ist abgeschlossen, wenn die LED-Statusanzeige grün leuchtet. Das Produkt wurde auf die Werkseinstellungen zurückgesetzt. Wenn kein DHCP-Server im Netzwerk verfügbar ist, lautet die Standard-IP-Adresse 192.168.0.90.
5. Verwenden Sie die Software-Tools für Installation und Verwaltung, um eine IP-Adresse zuzuweisen, ein Kennwort einzurichten und auf den Videostream zuzugreifen.

Die Software-Tools für Installation und Verwaltung sind über die Supportseiten unter www.axis.com/support verfügbar.

Die Parameter können auch über die Weboberfläche auf die Werkseinstellungen zurückgesetzt werden. Rufen Sie **Setup > System Options > Maintenance (Setup > Systemoptionen > Wartung)** auf und klicken Sie auf **Default (Standard)**.

Wartung

HINWEIS

- Verwenden Sie zur Reinigung dieses Axis Produkts Seifenwasser oder andere Universalreiniger (sauer, alkalisch, neutral)* und befolgen Sie die Anweisungen des Herstellers.
- Das Axis Produkt kann ggf. mithilfe eines Wasserschlauchs gereinigt werden. Führen Sie den Schlauch mit seitlichen Bewegungen

* Verwenden Sie keine Scheuermittel.

DE

Weitere Informationen

- Unter www.axis.com finden Sie die aktuelle Version dieses Dokuments.
- Das Benutzerhandbuch steht unter www.axis.com zur Verfügung.
- Unter www.axis.com/support finden Sie Firmware-Aktualisierungen für Ihre Produkte.
- Nützliche Onlineschulungen und Webinare finden Sie unter www.axis.com/academy.

Optionales Zubehör

- AXIS T8642 Montageset A (zur Installation eines PoE-Ethernet-over-Coax-Adapters in der Kamera). Siehe *Seite 67*.
- AXIS Türschalter A (zur Einbruchserkennung). Siehe *Seite 68*.
- AXIS Q8414–LVS Getönte Kuppelabdeckung (5 Stück). Siehe *Seite 69*.
- AXIS Q8414–LVS IR-Fenster B (Robustes Fenster ohne Mikrofonloch, 5 Stück). Siehe *Seite 69*.
- E/A-Audiokabel 5 m

Unter www.axis.com finden Sie Informationen über verfügbares Zubehör.

Technische Daten

LEDs

Beachten

- Die Status-LED kann so eingestellt werden, dass sie während des Normalbetriebs nicht leuchtet. Diese Konfiguration können Sie unter **Setup > System Options > Ports & Devices > LED (Setup > Systemoptionen > Ports & Geräte > LED)** einstellen. Weitere Informationen finden Sie in der Online-Hilfe.
- Die Status-LED kann so eingestellt werden, dass sie blinkt, wenn ein Ereignis aktiv ist.
- Die Status-LED kann so eingestellt werden, dass sie blinkt, wenn die Einheit erkannt wird. Rufen Sie **Setup > System Options > Maintenance (Setup > Systemoptionen > Wartung)** auf.

Status-LED	Bedeutung
Grün	Leuchtet bei Normalbetrieb grün.
Gelb	Leuchtet beim Start. Blinkt beim Wiederherstellen der Einstellungen.
Rot	Fehler während der Firmware-Aktualisierung.

Netzwerk-LED	Bedeutung
Grün	Leuchtet bei Verbindung mit einem 100 MBit/s-Netzwerk. Blinkt bei Netzwerkaktivität.
Gelb	Leuchtet bei Verbindung mit einem 10 MBit/s-Netzwerk. Blinkt bei Netzwerkaktivität.
Leuchtet nicht	Keine Netzwerkverbindung vorhanden.

Netz-LED	Bedeutung
Grün	Normaler Betrieb.
Gelb	Blinkt grün/gelb bei der Firmware-Aktualisierung.

SD-Karteneinschub

HINWEIS

- Gefahr von Schäden an der SD-Karte. Verwenden Sie beim Einlegen oder Entfernen der SD-Karte keine scharfen/spitzen Werkzeuge oder Gegenstände aus Metall und wenden Sie nicht zu viel Kraft an. Setzen Sie die Karte per Hand ein. Das Gleiche gilt für das Entfernen.

AXIS Q8414-LVS Network Camera

- Gefahr von Datenverlust und Beschädigung der Aufnahmen. Die SD-Karte darf nicht entfernt werden, während das Produkt in Betrieb ist. Trennen Sie die Stromversorgung oder deaktivieren Sie die SD-Karte vor dem Entfernen über die Webseite des Produkts.

Dieses Produkt unterstützt Karten des Typs SD/SDHC/SDXC (nicht im Lieferumfang enthalten).

Empfehlungen zu SD-Karten finden Sie unter www.axis.com.

Anschlüsse

Netzwerkanschluss

RJ45-Ethernetanschluss mit Power over Ethernet (PoE).

HINWEIS

Das Produkt muss mit einem abgeschirmten Netzkabel (STP) angeschlossen werden. Alle Kabel, die das Produkt mit dem Netzwerkschalter verbinden, müssen hierfür ausgelegt sein. Stellen Sie sicher, dass die Netzwerkgeräte gemäß den Anweisungen des Herstellers installiert wurden. Informationen zu gesetzlichen Bestimmungen finden Sie unter *Electromagnetic compatibility (EMC) on page 4*.

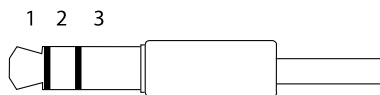
Audioanschlüsse

Das Axis Produkt ist mit den folgenden Audioanschlüssen ausgestattet:

- **Audioeingang (rosa)** – 3,5-mm-Anschluss für ein Monomikrofon oder ein Monosignal.
- **Audioausgang (grün)** – 3,5-mm-Audioausgang (Leitungspegel) zum Anschließen einer Rundrufanlage (PA) oder eines Aktivlautsprechers mit integriertem Verstärker. Für den Audioausgang empfiehlt sich die Verwendung eines Stereosteckers.

Beim Audioeingang wird der linke Kanal von einem Stereosignal benutzt.

3,5-mm-
Audioanschlüsse
(Stereo)



	1 Spitze	2 Ring	3 Schaft
Audioeingang	Mikrofon-/Leitungseingang	Mikrofon-Vorspannung	Masse
Audioausgang	Leitungsausgang, Mono	Leitungsausgang, Mono	Masse

Über E/A-Anschlüsse

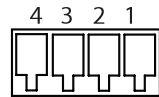
Die E/A-Anschlüsse dienen für externe Geräte in Verbindung mit Manipulationsalarmen, Bewegungserkennung, Ereignisauslösung, Alarmbenachrichtigungen usw. Abgesehen von

0 V DC-Bezugspunkt und Strom (Gleichstromausgang) verfügt der E/A-Anschluss über eine Schnittstelle zu:

Digitalausgang – Zum Anschluss externer Geräte wie Relais und LEDs. Angeschlossene Geräte können über die VAPIX®-API (Application Programming Interface) oder über die Produktwebsite aktiviert werden.

Digitaleingang – Zum Anschluss von Geräten, die zwischen geöffnetem und geschlossenem Schaltkreis wechseln können, z. B. PIR-Sensoren, Tür-/Fensterkontakte und Glasbruchmelder.

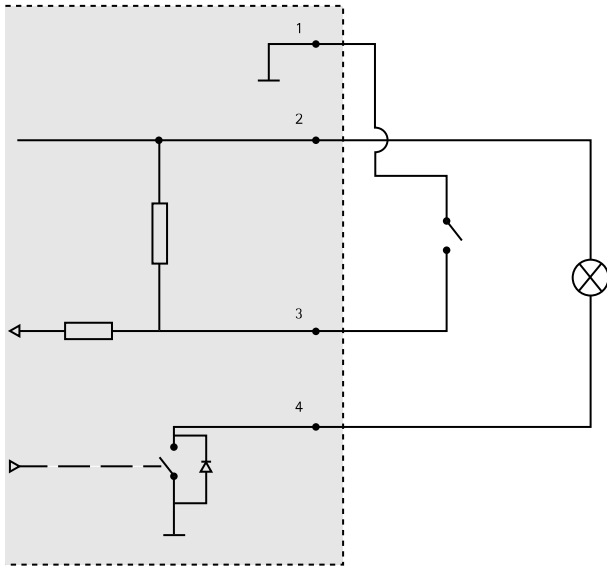
4-poliger Anschlussblock



DE

Funktion	Kontakt	Hinweise	Technische Daten
0 V DC (-)	1		0 V DC
Gleichstromausgang	2	Kann für die Stromversorgung von Zusatzgeräten verwendet werden. Hinweis: Dieser Kontakt kann nur für den Stromausgang verwendet werden.	3,3 V DC Max. Stromstärke = 50 mA
Digitaleingang	3	Zum Aktivieren mit Kontakt 1 verbinden; zum Deaktivieren nicht anschließen.	0 bis max. 40 V DC
Digitalausgang	4	Bei Aktivierung mit Kontakt 1 verbunden; wenn deaktiviert: frei (nicht verbunden). Bei Nutzung mit einer induktiven Last, z. B. einem Relais, muss zum Schutz vor Spannungsspitzen parallel zur Last eine Diode zwischengeschaltet werden.	0 bis max. 40 V Gleichstrom, Open Drain, 100 mA

AXIS Q8414-LVS Network Camera



- 1 0 V DC (-)
- 2 DC-Ausgang 3,3 V, max. 50 mA
- 3 Digitaleingang 0 bis max. 40 V DC
- 4 Digitalausgang 0 bis max. 40 V DC, Open Drain, 100 mA

Betriebsbedingungen

Das Axis Produkt ist für die Verwendung in Innenräumen ausgelegt.

Produkt	Klassifikation	Temperatur	Luftfeuchtigkeit
AXIS Q8414-LVS	NEMA 250 Typ 4X, IEC/EN 60529 IP66, Klasse 4M4 IEC 60721-3-4	0 °C bis 50 °C	10-100 % relative Luftfeuchtigkeit (kondensierend)

Stromverbrauch

HINWEIS

Verwenden Sie eine Stromquelle mit begrenzter Leistung (LPS), entweder mit einer Nennausgangsleistung von ≤ 100 W oder einem dauerhaft auf ≤ 5 A begrenzten Nennausgangsstrom.

AXIS Q8414–LVS Network Camera

Produkt	PoE
AXIS Q8414–LVS	Power over Ethernet IEEE 802.3af/802.3at Typ 1 Klasse 2, max. 6,2 W (IR begrenzt)
	Power over Ethernet IEEE 802.3af/802.3at Typ 1 Klasse 3, max. 8,7 W (Infrarot, nicht begrenzt)

DE

Sicherheitsinformationen

Gefährdungsstufen

▲GEFAHR

Weist auf eine gefährliche Situation hin, welche zum Tod oder zu schweren Verletzungen führt.

▲WARNUNG

Weist auf eine gefährliche Situation hin, welche, falls nicht verhindert, zu Tod oder schweren Verletzungen führen kann.

▲VORSICHT

Weist auf eine gefährliche Situation hin, welche, falls nicht verhindert, zu geringfügiger oder mäßiger Verletzung führen kann.

HINWEIS

Weist auf eine gefährliche Situation hin, welche, falls nicht verhindert, zu Sachschäden führen kann.

DE

Weitere Nachrichtenstufen

Wichtig

Weist auf wichtige Informationen hin, die den richtigen Betrieb des Produkts gewährleisten.

Beachten

Weist auf nützliche Informationen hin, die die optimale Verwendung des Produkts unterstützen.

Sicherheitsanweisungen

HINWEIS

- Das Axis Produkt muss unter Beachtung der örtlich geltenden Gesetze und Bestimmungen benutzt werden.
- Axis empfiehlt die Verwendung eines abgeschirmten Netzkabels (STP) der Kategorie 5 oder höher.
- Lagern Sie das Axis Produkt in einer trockenen und belüfteten Umgebung.
- Installieren Sie das Produkt nicht an instabilen Masten, Halterungen, Oberflächen oder Wänden.
- Verwenden Sie bei der Installation des Axis Produkts ausschließlich passende Werkzeuge. Ein zu großer Kraftaufwand mit elektrischen Werkzeugen kann das Produkt beschädigen.
- Verwenden Sie nur Zubehör, das den technischen Vorgaben Ihres Produkts entspricht. Dieses ist von Axis oder Drittanbietern erhältlich. Axis empfiehlt die mit Ihrem Produkt kompatible Stromversorgung von Axis.
- Verwenden Sie ausschließlich Ersatzteile die von Axis angeboten oder empfohlen werden.
- Versuchen Sie nicht, dieses Produkt selbsttätig zu reparieren. Wenden Sie sich bezüglich Reparatur und Wartung an den Axis Support oder Ihren Axis Händler.

Transport

HINWEIS

- Bei Bedarf transportieren Sie das Axis Produkt in der Originalverpackung oder einer entsprechenden Verpackung, so dass Schäden vermieden werden.

Batterie

Das Axis Produkt ist mit einer 3,0-V-BR2032-Lithium-Batterie ausgestattet, mit der die interne Echtzeituhr (RTC) versorgt wird. Unter normalen Bedingungen hat die Batterie eine Lebensdauer von mindestens fünf Jahren.

Bei entladener Batterie ist der Betrieb der Echtzeituhr nicht mehr gewährleistet, sodass die Uhr bei jedem Systemstart zurückgesetzt wird. Sie erhalten eine Protokollnachricht im Serverbericht des Produkts, wenn ein Batteriewechsel erforderlich ist. Weitere Informationen über den Serverbericht finden Sie auf den Setup-Seiten des Produkts, oder wenden Sie sich an den Axis Support.

Die Batterie sollte nur bei Bedarf ersetzt werden. Wenden Sie sich in diesem Fall unter www.axis.com/support an den Axis-Support.

Lithium-Knopfzellen (3,0 V) enthalten 1,2-Dimethoxyethan; Ethylenglycoldimethylether (EGDME), CAS-Nr. 110-71-4.

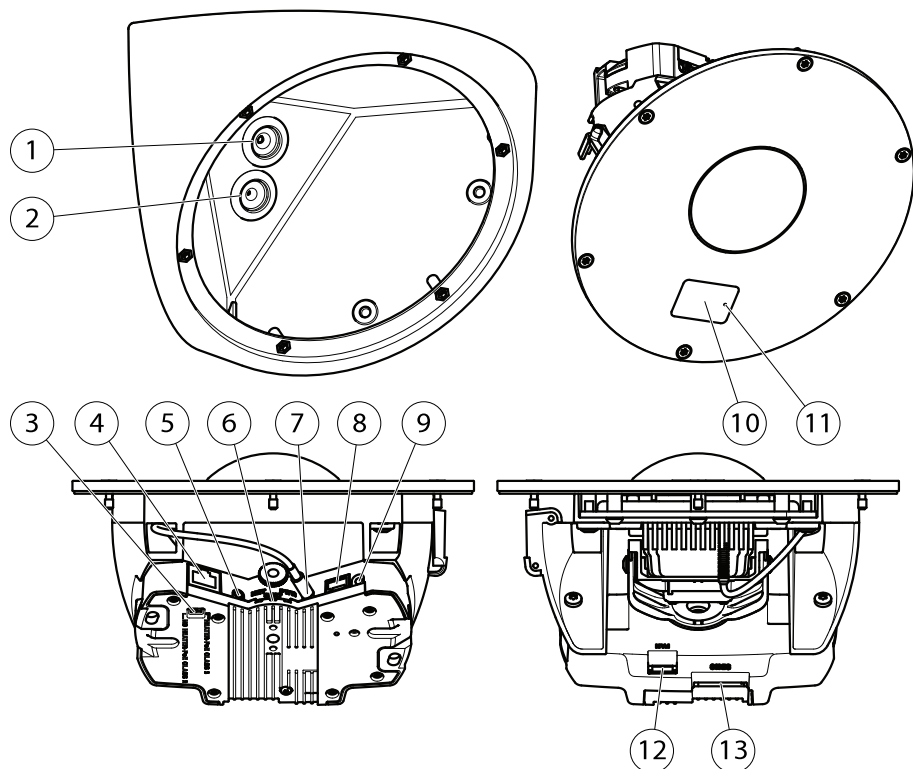
⚠️ WARNUNG

- Explosionsgefahr bei fehlerhaftem Batteriewechsel.
- Die Batterie darf nur durch eine identische Batterie oder eine von Axis empfohlene Batterie ersetzt werden.
- Verbrauchte Batterien sind gemäß den örtlichen Vorschriften oder den Anweisungen des Herstellers zu entsorgen.

Contenuto della confezione

- Telecamera di rete AXIS Q8414–LVS
- Rondelle (per il montaggio delle viti)
- Protezione del connettore AXIS A
- Punta Torx® TR20
- Connettore per morsetti a 4 pin
- Documentazione
 - Guida all'installazione (questo documento)
 - Chiave di autenticazione AVHS

Panoramica del dispositivo



- 1 *Guarnizione cavo (cavo di rete)*
- 2 *Guarnizione cavo (Cavo I/O o audio)*
- 3 *Selettore PoE Classe **
- 4 *Connettore di rete*
- 5 *Connettore uscita audio*
- 6 *Indicatori LED*
- 7 *Connettore ingresso audio*
- 8 *Connettore I/O*
- 9 *Pulsante di comando*
- 10 *Finestra IR*
- 11 *Microfono*
- 12 *Non utilizzato*
- 13 *Slot per scheda SD*

* Utilizzato per passare da PoE Classe 2 (IR limitato) a PoE Classe 3 (IR completo). Consultare *pagina 106*.

Come installare il dispositivo

Installazione dell'hardware

AWISO

- Il dispositivo deve essere collegato con un cavo di rete schermato (STP). Tutti i cavi che collegano il prodotto al midspan devono essere schermati (STP) e destinati al loro uso specifico. Assicurarsi che il midspan sia propriamente a terra. Per maggiori informazioni sui requisiti normativi, consultare *Regulatory information on page 4*.
- Fare attenzione a non graffiare, danneggiare o lasciare impronte sulla custodia, perché potrebbe diminuire la qualità dell'immagine. Se possibile, lasciare la protezione di plastica sulla parte anteriore della telecamera fino al completamento dell'installazione.

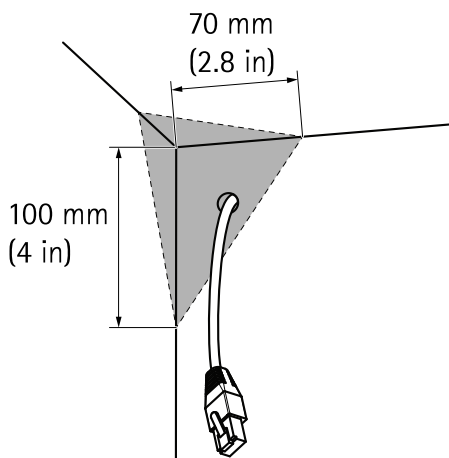
È possibile installare il dispositivo Axis instradando i cavi attraverso la parete o il soffitto.

Leggere attentamente tutte le istruzioni prima di installare il dispositivo. Alcune fasi d'installazione dovrebbero essere completate insieme perché richiedono la rimozione del coperchio della telecamera.

- Una scheda SD standard o ad alta capacità (non inclusa) può essere utilizzata per memorizzare le registrazioni localmente nel dispositivo. Per installare una scheda SD, consultare *pagina 94*.
- Per instradare i cavi prima di installare il dispositivo, vedere *pagina 88*.
- Per installare il dispositivo, vedere *pagina 89*.

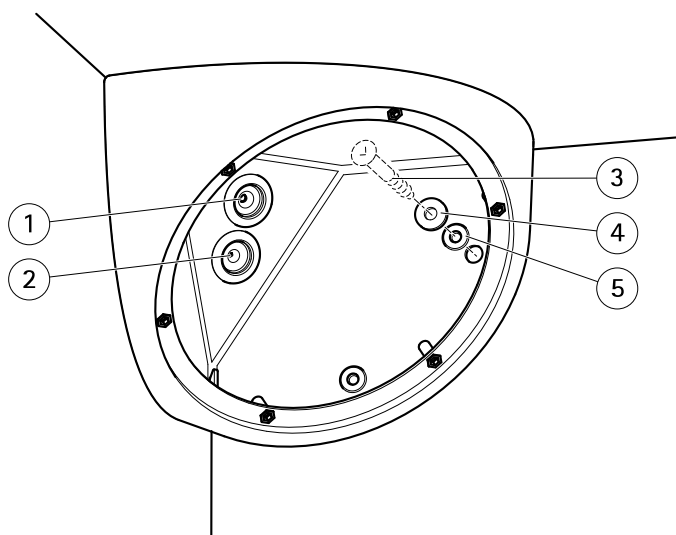
Installazione dei cavi

1. Misurare un'area triangolare nell'angolo tra il soffitto e la parete.
2. Inserire nella parete il cavo di rete (e, se necessario, il cavo I/O e audio), facendolo passare attraverso l'area triangolare della parete.



Installazione dell'unità telecamera

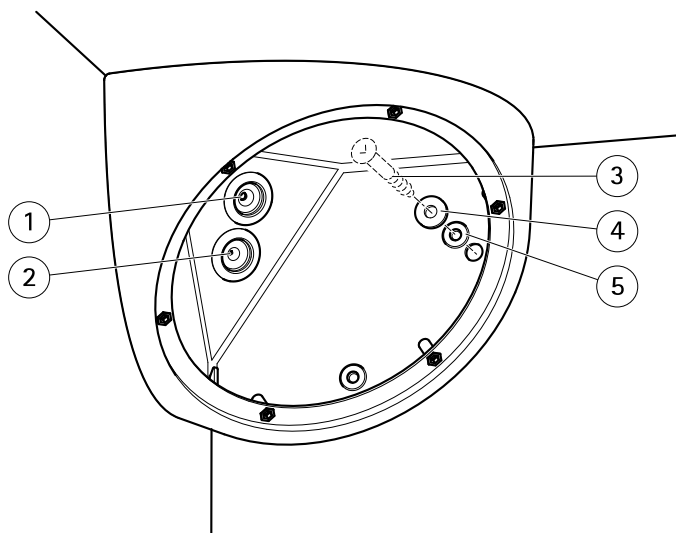
1. Rimuovere le guarnizioni dai fori laterali e superiori del telaio posteriore.
2. Posizionare il telaio posteriore nell'angolo tra il soffitto e la parete. Utilizzare una matita per fare dei segni per le viti nei fori laterali superiori e laterali.



1 Guarnizione cavo, rete

- 2 *Guarnizione cavo, I/O*
- 3 *Vite (non inclusa)*
- 4 *Rondella*
- 5 *Guarnizione*

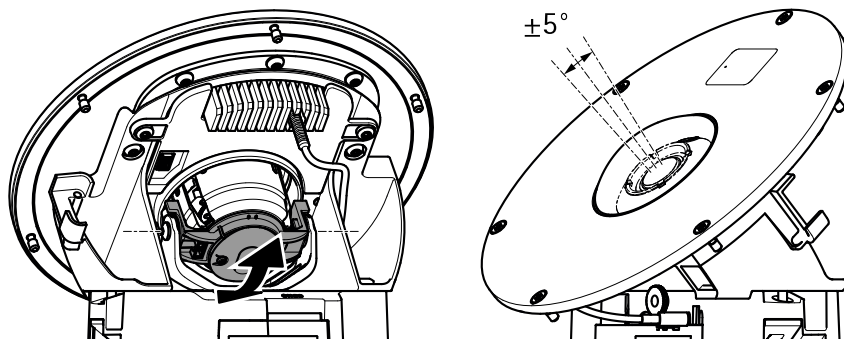
3. Fare dei fori per le viti nel soffitto e nelle pareti.
4. Inserire le guarnizioni nei relativi fori. Controllare che le guarnizioni si inseriscano a fondo nei fori, senza pieghe o curvature.
5. Rimuovere la guarnizione del cavo di rete dal foro posteriore e far passare il cavo di rete attraverso il foro posteriore.
6. Se applicabile: rimuovere la guarnizione del cavo I/O dal foro posteriore e far passare il cavo I/O attraverso il foro posteriore.
7. Tirare la linguetta sulla guarnizione del cavo per aprirla.
8. Fissare la protezione del connettore AXIS A nella parte superiore del connettore di rete RJ45. Far scorrere la guarnizione del cavo di rete lungo il cavo e inserirla nei relativi fori. Controllare che la guarnizione si inserisca a fondo nei fori, senza pieghe o curvature.
9. Rimuovere la protezione del connettore AXIS A dalla parte superiore del connettore di rete RJ45.
10. Se applicabile: tirare il cavo I/O attraverso la guarnizione del cavo I/O prima di collegare il connettore I/O al cavo. Inserire la guarnizione del cavo I/O nel relativo foro. Controllare che la guarnizione si inserisca a fondo nei fori, senza pieghe o curvature.
11. Fissare il telaio posteriore nell'angolo del muro utilizzando viti e tasselli idonei al materiale della parete e del soffitto. Le viti dovrebbero attraversare le rondelle e le guarnizioni per fissare la tenuta IP66.



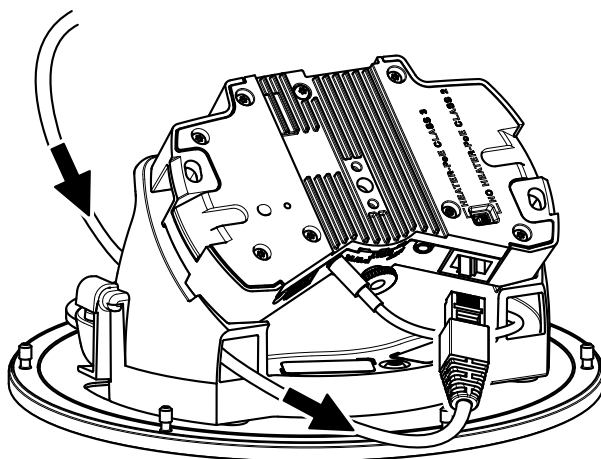
- 1 Guarnizione cavo, rete
- 2 Guarnizione cavo, I/O
- 3 Vite (non inclusa)
- 4 Rondella
- 5 Guarnizione

12. Per una tenuta ottimizzata: applicare una striscia di sigillante flessibile in mastice per giunti sui lati del telaio posteriore. Verificare di colmare tutti gli spazi tra il telaio posteriore e il soffitto o la parete.
13. Se applicabile: inserire una scheda SD (non inclusa) nello slot per schede SD nella telecamera.
14. Se applicabile: consultare *Installare il kit di montaggio A AXIS T8642 (fornito a parte) alla pagina 95.*
15. Se applicabile: consultare *Installare l'interruttore per porta AXIS A per il rilevamento di intrusioni (venduto separatamente) alla pagina 96*
16. Se applicabile: consultare *Installare la cupola oscurata AXIS Q8414-LVS (fornita a parte) alla pagina 97.*
17. Se applicabile: consultare *Installare la finestra IR B AXIS Q8414-LVS (fornita a parte) alla pagina 97.*
18. Se necessario: regolare manualmente l'angolo delle lenti per adattare alla dimensione e alla forma dell'area monitorata. Per le posizioni di inclinazione, consultare *Impostare il campo visivo alla pagina 93.*

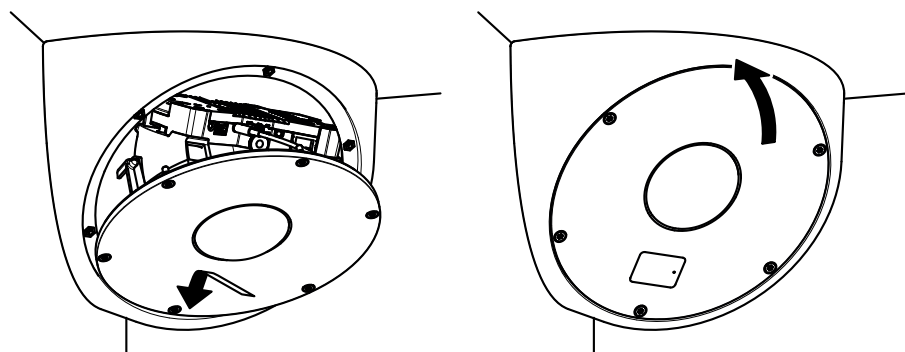
AXIS Q8414-LVS Network Camera



19. Inserire il cavo di rete nell'alloggiamento dei cavi nella parte posteriore della telecamera e collegare il cavo di rete nel connettore di rete.



20. Se applicabile: inserire il cavo I/O nell'alloggiamento dei cavi nella parte posteriore della telecamera e collegare il cavo I/O nel connettore I/O.
21. Mantenere la telecamera in modo che la finestra IR nella parte anteriore sia in una posizione verticale e appoggiare la parte inferiore della telecamera sulla parte inferiore dell'apertura del telaio posteriore.



IT

22. Piegare la parte superiore della telecamera verso l'alto fino a che non viene spinta verso il bordo nell'apertura del telaio posteriore.

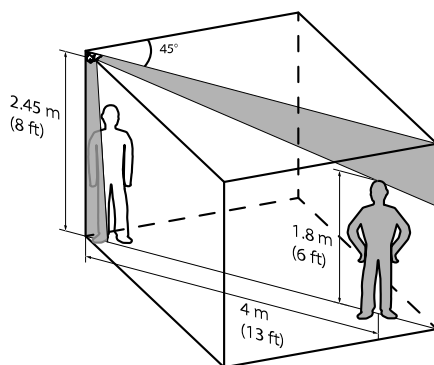
Importante

Posizionare i cavi in modo che non vengano schiacciati tra i lati della telecamera e il telaio posteriore.

23. Fissare la telecamera al telaio posteriore utilizzando le viti (chiusura 2,5 Nm).
 24. Rimuovere la pellicola protettiva dalla parte anteriore della telecamera.

Impostare il campo visivo

Inclinare l'obiettivo per ottenere il campo visivo ottimale che copra il più possibile l'area monitorata.

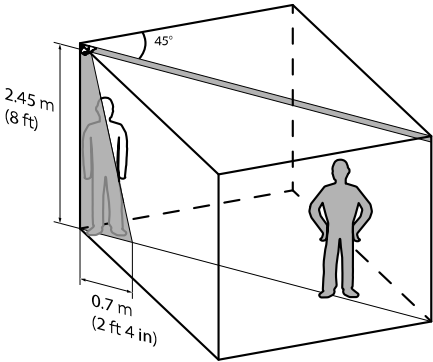
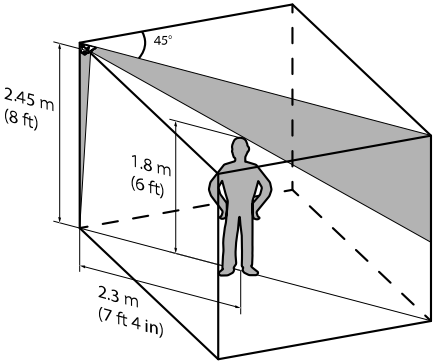


Posizioni di massima inclinazione per le lenti

La posizione di inclinazione per il campo visivo ottimale si trova tra le posizioni massime di inclinazione.

AXIS Q8414-LVS Network Camera

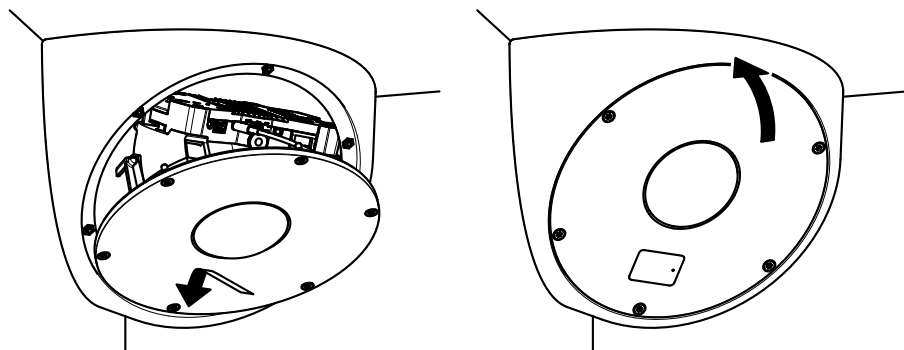
Posizioni di massima inclinazione per le lenti (Continuo)

Inclinazione in alto	
Inclinazione in basso	

Installazione di una scheda di memoria

È facoltativo installare una scheda di memoria standard o ad alta capacità (non inclusa), che può essere usata per la registrazione in modalità locale con unità di archiviazione rimovibile.

1. Allentare le viti nella parte anteriore e rimuovere la telecamera.
2. Inserire una scheda SD (non inclusa) nello slot per schede SD.
3. Mantenere la telecamera in modo che la finestra IR nella parte anteriore sia in una posizione verticale e appoggiare la parte inferiore della telecamera sulla parte inferiore dell'apertura del telaio posteriore.



4. Piegare la parte superiore della telecamera verso l'alto fino a che non viene spinta verso il bordo nell'apertura del telaio posteriore.

Importante

Posizionare i cavi in modo che non vengano schiacciati tra i lati della telecamera e il telaio posteriore.

5. Fissare la telecamera al telaio posteriore utilizzando le viti (serraggio 2,5 Nm).

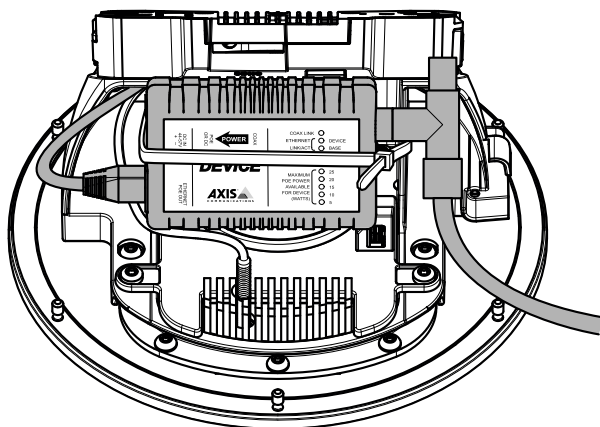
AVVISO

Per prevenire il danneggiamento delle registrazioni, la scheda SD deve essere smontata prima dell'espulsione. Per scollegare, andare su **Setup > System Options > Storage > SD Card (Configurazione > Opzioni di sistema > Archiviazione > Scheda SD)** e fare clic su **Unmount (Smonta)**.

Installare il kit di montaggio A AXIS T8642 (fornito a parte)

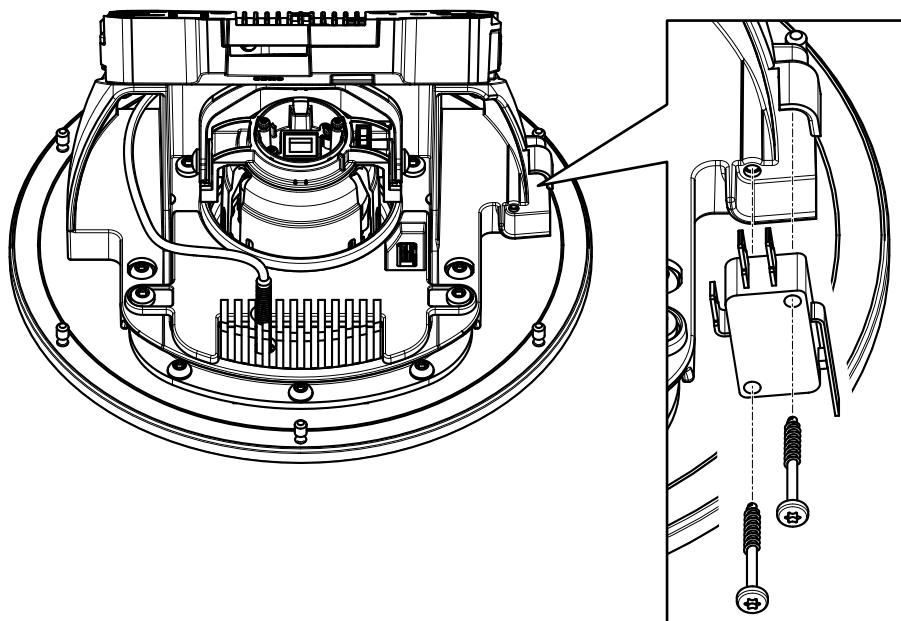
Nelle informazioni contenute in questo kit di accessori viene spiegato come montare un Ethernet over Coax Adaptor (non incluso) che consente agli installatori di utilizzare il cavo coassiale persistente per la migrazione di un sistema analogico in digitale.

1. Fissare il connettore BNC angolare al dispositivo AXIS T8642.
2. Collegare il cavo di rete al connettore di rete sul dispositivo AXIS T8642.
3. Inserire l'altra estremità del cavo di rete nell'alloggiamento dei cavi nella parte posteriore della telecamera e collegare il cavo di rete nel connettore di rete.
4. Inserire le fascette stringicavo negli alloggiamenti dei cavi e collegare il dispositivo AXIS T8642 alla telecamera.



Installare l'interruttore per porta AXIS A per il rilevamento di intrusioni (venduto separatamente)

1. Nella parte posteriore della telecamera: posizionare l'interruttore nello scomparto vuoto accanto all'alloggiamento dei cavi.



2. Fissare l'interruttore al comparto utilizzando le viti.
3. Inserire il cavo I/O nell'alloggiamento dei cavi nella parte posteriore della telecamera.
4. Tagliare i cavi I/O con lunghezza eccessiva e adattare il blocco del connettore I/O al cavo I/O.
5. Inserire il blocco del connettore I/O nel connettore I/O.

Installare la cupola oscurata AXIS Q8414-LVS (fornita a parte)

1. Posizionare la telecamera con la parte anteriore verso il basso su una superficie rialzata e assicurarsi che il vetro della cupola non tocchi alcun oggetto da questa posizione.
2. Allentare le viti posteriori (T20) che collegano il supporto della telecamera alla parte posteriore della telecamera.
3. Scollegare il cavo del microfono dalla telecamera, tirare l'altra estremità del cavo del microfono attraverso il supporto della telecamera e rimuovere il cavo del microfono dalla telecamera.
4. Rimuovere il supporto della telecamera dalla parte posteriore della telecamera.
5. Sostituire la cupola con vetro trasparente nell'apertura frontale con una cupola di vetro oscurata.
6. Collegare il cavo del microfono nella finestra della luce IR e trascinare l'altra estremità del cavo del microfono attraverso il supporto della telecamera.
7. Posizionare il supporto della telecamera nella sua posizione originale nella parte posteriore della telecamera.

IT

Importante

Verificare che la finestra della luce IR sia posizionata nel suo comparto e che il cavo del microfono resti collegato nella finestra della luce IR.

8. Trascinare il cavo del microfono attraverso l'alloggiamento dei cavi e collegare il cavo del microfono alla telecamera.
9. Stringere le viti posteriori (T20, torque 2,5 Nm) per collegare il supporto della telecamera alla telecamera.

Installare la finestra IR B AXIS Q8414-LVS (fornita a parte)

Questo kit di accessori è adatto alle installazioni che non richiedono audio. Le finestre della luce IR non sono dotate di fori per i microfoni.

1. Posizionare la telecamera con la parte anteriore verso il basso su una superficie rialzata e assicurarsi che il vetro della cupola non tocchi alcun oggetto da questa posizione.
2. Allentare le viti posteriori (T20) che collegano il supporto della telecamera alla parte posteriore della telecamera.
3. Scollegare il cavo del microfono dalla telecamera, tirare l'altra estremità del cavo del microfono attraverso il supporto della telecamera e rimuovere il cavo del microfono dalla telecamera.

4. Rimuovere il supporto della telecamera dalla parte posteriore della telecamera.
5. Sostituire la finestra della luce IR nell'apertura anteriore con una finestra della luce IR dal kit.
6. Posizionare il supporto della telecamera nella sua posizione originale nella parte posteriore della telecamera.

Importante

Verificare che la finestra della luce IR sia posizionata nel suo comparto.

7. Stringere le viti posteriori (T20, torque 2,5 Nm) per collegare il supporto della telecamera alla telecamera.

Come accedere al dispositivo

AXIS IP Utility e AXIS Camera Management sono i metodi consigliati per trovare i dispositivi Axis in rete e assegnare loro un indirizzo IP in Windows®. Queste applicazioni sono entrambe gratuite e possono essere scaricate da www.axis.com/support

Il dispositivo può essere utilizzato con la maggior parte dei sistemi operativi e dei browser. I browser consigliati sono i seguenti:

- Internet Explorer® con Windows®
- Safari® con OS X®
- Chrome™ o Firefox® con altri sistemi operativi.

Per ulteriori informazioni sull'utilizzo del dispositivo, consultare la guida per l'utente disponibile sul sito Web www.axis.com

Impostare zoom e messa a fuoco

La messa a fuoco e lo zoom devono essere configurati solo durante l'installazione e la reinstallazione del prodotto.

1. Andare a **Setup > Video Et Audio (Configurazione > Video e audio)**.
2. Nella pagina della messa a fuoco, andare alla scheda **Basic (Base)**.
3. Impostare il livello di **zoom** utilizzando il cursore.

Nota

Evitare i movimenti davanti alla telecamera durante l'esecuzione della messa a fuoco automatica.

4. Fare clic su **Perform autofocus (Esegui messa a fuoco automatica)**.
5. Se il risultato non è soddisfacente, andare alla scheda **Advanced (Avanzate)**.

IT

Nota

La modifica del livello di zoom sposta la posizione di messa a fuoco. La messa a fuoco deve essere regolata sempre dopo la modifica dello zoom.

Nella scheda **Advanced (Avanzate)** la messa a fuoco può essere regolata manualmente:

1. Fare clic su **Open iris (Apri diaframma)** per aprire il diaframma fino alla sua posizione massima. In questo modo, viene utilizzata la minima profondità di campo, offrendo le condizioni migliori per una corretta messa a fuoco.
2. La messa a fuoco viene impostata nella finestra **Focus (Messa a fuoco)**. Utilizzare il mouse per spostare e ridimensionare la finestra di messa a fuoco.
3. Per mettere a fuoco su un'ubicazione desiderata, fare clic nella barra **Focus position (Posizione di messa a fuoco)**.
4. Al termine, fare clic su **Enable iris (Abilita diaframma)** per abilitare il diaframma.

Modalità di ripristino dei valori predefiniti di fabbrica

Importante

Il ripristino dei valori predefiniti di fabbrica deve essere utilizzato con cautela. Tale operazione consentirà di ripristinare le impostazioni predefinite di fabbrica per tutti i parametri, incluso l'indirizzo IP.

Per ripristinare il dispositivo alle impostazioni predefinite di fabbrica:

1. Scollegare l'alimentazione dal dispositivo.
2. Tenere premuto il pulsante di comando e ricollegare l'alimentazione.
3. Tenere premuto il pulsante di comando per 15-30 secondi fino a quando l'indicatore LED di stato lampeggerà in giallo.
4. Rilasciare il pulsante di comando. Il processo è completo quando l'indicatore del LED di stato diventerà verde. Il dispositivo è stato reimpostato alle impostazioni di fabbrica predefinite. Se nessun server DHCP è disponibile in rete, l'indirizzo IP predefinito è 192.168.0.90.
5. Mediante gli strumenti per l'installazione e la gestione del software, assegnare un indirizzo IP, impostare la password e accedere al flusso video.

Gli strumenti per l'installazione e la gestione del software sono disponibili nelle pagine dedicate all'assistenza sul sito Web www.axis.com/support.

È anche possibile reimpostare i parametri alle impostazioni predefinite di fabbrica mediante l'interfaccia Web. Andare a **Setup > System Options > Maintenance (Configurazione > Opzioni di sistema > Manutenzione)** e fare clic su **Default (Predefinito)**.

Manutenzione

AVVISO

- Per pulire questo dispositivo Axis, utilizzare acqua saponata o altri agenti pulenti (acidi, alcalini o neutri)* e seguire le istruzioni fornite dal produttore.
- Se necessario, il dispositivo Axis può essere pulito con un getto d'acqua. Spostare lo spruzzo con un movimento che va da un lato all'altro.

* Non utilizzare prodotti di pulizia abrasivi.

Ulteriori Informazioni

- Per la versione più recente di questo documento, visitare il sito all'indirizzo www.axis.com
- Il manuale per l'utente è disponibile all'indirizzo www.axis.com
- Per verificare se sono stati pubblicati aggiornamenti del firmware per il proprio dispositivo, vedere www.axis.com/support
- Per servizi di formazione utili e webinar, visita il sito www.axis.com/academy

Accessori opzionali

- Kit di montaggio A AXIS T8642 (per l'installazione di PoE Ethernet over Coax Adaptor nella telecamera). Consultare *pagina 95*.
- Interruttore per porta AXIS A (per il rilevamento di intrusioni). Consultare *pagina 96*.
- Cupola oscurata AXIS Q8414–LVS (5 pz). Consultare *pagina 97*.
- Finestra IR B AXIS Q8414–LVS (finestra solida senza foro per microfono; 5 pz). Consultare *pagina 97*.
- Cavo audio I/O 5 m (16 ft.)

Visitare il sito Web www.axis.com per ottenere informazioni sugli accessori disponibili.

Dati tecnici

Indicatori LED

Nota

- Lo stato del LED può essere configurato per essere spento durante il normale funzionamento. Per configurarlo, selezionare **Setup > System Options > Ports & Devices > LED (Configurazione > Opzioni di sistema > Porte & Dispositivi > LED)**. Per ulteriori informazioni, consultare l'aiuto in linea.
- Il LED di stato può essere configurato per lampeggiare quando un evento è attivo.
- Il LED di stato può essere configurato per lampeggiare per identificare l'unità. Andare su **Setup > System Options > Maintenance (Configurazione > Opzioni di sistema > Manutenzione)**.

IT

LED di stato	Indicazione
Verde	Luce verde fissa: condizioni di normale utilizzo.
Giallo	Luce fissa durante l'avvio. Lampeggia durante il ripristino delle impostazioni.
Rosso	Errore durante l'aggiornamento del firmware.

LED di rete	Indicazione
Verde	Luce fissa per connessione di rete a 100 Mbit/s. Luce lampeggiante: attività di rete.
Giallo	Luce fissa per connessione di rete a 10 Mbit/s. Luce lampeggiante: attività di rete.
Spento	Assenza di connessione.

LED di alimentazione	Indicazione
Verde	Normale utilizzo.
Giallo	Luce lampeggiante verde/gialla: aggiornamento firmware.

Slot per scheda SD

AVVISO

- Rischio di danneggiamento della scheda di memoria. Non utilizzare strumenti appuntiti oppure oggetti metallici e non esercitare eccessiva forza durante l'inserimento o la rimozione della scheda di memoria. Utilizzare le dita per inserire e rimuovere la scheda.

AXIS Q8414–LVS Network Camera

- Rischio di perdita di dati e danneggiamento delle registrazioni. Non rimuovere la scheda di memoria mentre il dispositivo è in funzione. Scollegare l'alimentazione oppure smontare la scheda di memoria dalle pagine Web del dispositivo prima di rimuoverla.

Questo dispositivo supporta schede di memoria SD/SDHC/SDXC (non incluse).

Per i consigli sulla scheda SD, visitare il sito Web www.axis.com.

Connettori

Connettore di rete

Connettore Ethernet RJ45 con Power over Ethernet (PoE+).

AWISO

Il dispositivo deve essere collegato tramite un cavo di rete schermato (STP). Tutti i cavi che collegano il dispositivo alla rete sono destinati al loro uso specifico. Accertarsi che i dispositivi di rete siano installati secondo le istruzioni del produttore. Per maggiori informazioni sui requisiti normativi, consultare *Electromagnetic compatibility (EMC) on page 4*.

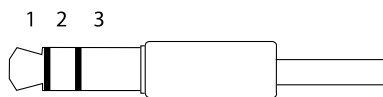
Connettore audio

Il dispositivo Axis dispone dei seguenti connettori audio:

- **Ingresso audio (rosa)** - Ingresso audio da 3,5 mm per microfono in mono o segnale mono line-in.
- **Uscita audio (verde)**: uscita audio da 3,5 mm (livello di linea) che può essere connessa a un sistema di indirizzo pubblico (PA) o a un altoparlante attivo con amplificatore integrato. Si consiglia di utilizzare un connettore stereo per l'uscita audio.

Per l'ingresso audio, il canale sinistro viene utilizzato da un segnale stereo.

Connettori audio da
3,5 mm (stereo)



	1 Punta	2 Anello	3 Guaina
Ingresso audio	Ingresso microfono/linea	Tensione polarizzazione del microfono	Terra
Uscita audio	Uscita linea, mono	Uscita linea, mono	Terra

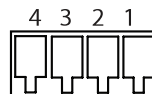
Informazioni sui connettori I/O

Utilizzare il connettore I/O con dispositivi esterni in combinazione con, ad esempio, allarmi antimanomissione, rilevamento movimento, attivazione di eventi e notifiche di allarme. Oltre al punto di riferimento 0 V CC e all'alimentazione (uscita CC), il connettore I/O fornisce l'interfaccia per:

Uscita digitale – Per collegare dispositivi esterni come relè o LED. I dispositivi collegati possono essere attivati tramite l'API (interfaccia per la programmazione di applicazioni) VAPIX® oppure nella pagina Web del dispositivo.

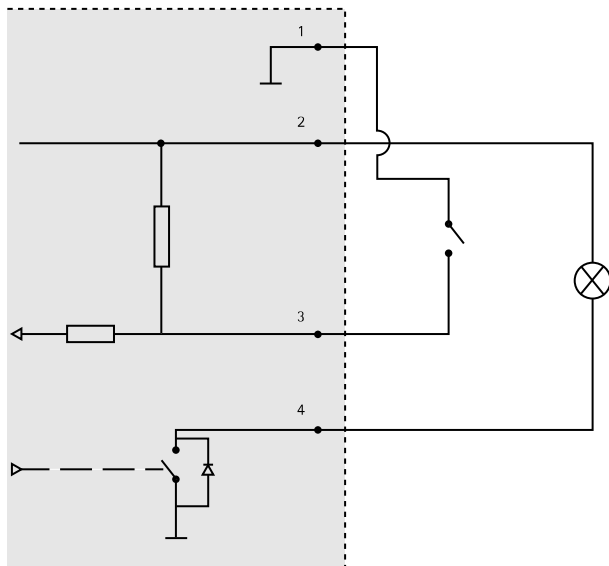
Ingresso digitale – Per collegare i dispositivi che possono passare dal circuito chiuso al circuito aperto, ad esempio i sensori PIR, i contatti porta/finestra e i rilevatori di rottura.

Morsettiera a 4 pin



Funzione	Pin	Note	Specifiche
0 V CC (-)	1		0 V CC
Uscita CC	2	Il pin può essere utilizzato anche per alimentare una periferica ausiliaria. Nota: usare questo pin solo come uscita alimentazione.	3,3 V CC Carico massimo = 50 mA
Ingresso digitale	3	Collegare al pin 1 per attivarlo oppure lasciarlo isolato (scollegato) per disattivarlo	Da 0 a max 40 V CC
Uscita digitale	4	Collegare al pin 1 quando attiva, isolata (scollegata) quando inattiva. Se utilizzata con un carico induttivo, ad esempio un relè esterno, è necessario collegare un diodo in parallelo al carico per proteggere il dispositivo da sovratensioni.	Da 0 a max 40 V CC, open-drain, 100 mA

AXIS Q8414-LVS Network Camera



- 1 0 V CC (-)
- 2 Uscita CC 3,3 V, max 50 mA
- 3 Ingresso digitale da 0 a max 40 V CC
- 4 Ingresso digitale da 0 a max 40 V CC, open-drain, 100 mA

Condizioni di funzionamento

Il dispositivo Axis è destinato all'uso interno.

Dispositivo	Classificazione	Temperatura	Umidità
AXIS Q8414-LVS	NEMA 250 Tipo 4X, IEC/EN 60529 IP66, Classe 4M4 IEC 60721-3-4	Da 0 °C a 50 °C (da 32 °F a 122 °F)	10-100% RH (umidità relativa con condensa)

Consumo energetico

AWISO

Utilizzare una sorgente di alimentazione limitata (LPS) sia con una potenza di uscita nominale limitata a ≤ 100 W o una corrente nominale di uscita limitata a ≤ 5 A.

AXIS Q8414-LVS Network Camera

Dispositivo	PoE
AXIS Q8414-LVS	Power over Ethernet IEEE 802.3af/802.3at Tipo 1 Classe 2, max. 6.2 W (IR limitato)
	Power over Ethernet IEEE 802.3af/802.3at Tipo 1 Classe 3, max. 8.7 W (IR completo)

IT

Informazioni di sicurezza

Livelli di pericolo

▲PERICOLO

Indica una situazione pericolosa che, se non evitata, provoca morte o lesioni gravi.

▲AVVERTENZA

Indica una situazione pericolosa che, se non evitata, potrebbe provocare la morte o lesioni gravi.

▲ATTENZIONE

Indica una situazione pericolosa che, se non evitata, potrebbe provocare lesioni medie o minori.

AVVISO

Indica una situazione che, se non evitata, potrebbe danneggiare la proprietà.

IT

Altri livelli di messaggio

Importante

Indica informazioni importanti, essenziali per il corretto funzionamento del dispositivo.

Nota

Indica informazioni utili che aiutano a ottenere il massimo dal dispositivo.

Informazioni di sicurezza

AWISO

- Il dispositivo Axis deve essere utilizzato in conformità alle leggi e alle disposizioni locali.
- Axis consiglia l'uso di un cavo di rete schermato (STP) CAT5 o superiore.
- Conservare il dispositivo Axis in un ambiente asciutto e ventilato.
- Non installare il dispositivo su supporti, superfici, pareti o pali instabili.
- Utilizzare solo strumenti applicabili quando si installa il dispositivo Axis. Se si utilizza una forza eccessiva con strumenti non adatti è possibile causare danni al dispositivo.
- Utilizzare solo accessori compatibili con le specifiche tecniche del dispositivo. Questi possono essere forniti da Axis o da terze parti. Axis consiglia l'uso dell'apparecchiatura di alimentazione Axis compatibile con il dispositivo.
- Utilizzare solo parti di ricambio fornite o consigliate da Axis.
- Non tentare di riparare il dispositivo da soli. Contattare l'assistenza o il rivenditore Axis per questioni relative alla manutenzione.

Trasporto

AWISO

- Durante il trasporto del dispositivo Axis, utilizzare l'imballaggio originale o equivalente per evitare danni al dispositivo.

Batteria

Il dispositivo Axis utilizza una batteria al litio da 3,0 V BR2032 come alimentazione per il suo real-time clock (RTC) interno. In condizioni normali questa batteria avrà una durata minima di cinque anni.

Una bassa carica della batteria influisce sul funzionamento del RTC, facendolo resettare a ogni accensione. Quando la batteria deve essere sostituita, un messaggio di registro viene visualizzato nel report server del dispositivo. Per ulteriori informazioni sul report server, vedere le pagine di configurazione del dispositivo o contattare l'assistenza Axis.

La batteria non deve essere sostituita se non richiesto, ma nel caso in cui questo fosse necessario, contattare il supporto Axis all'indirizzo www.axis.com/support per assistenza.

Batteria a bottone al litio 3,0 V contengono 1,2-dimetossietano; etere dimetilico di glicole etilenico (EGDME), CAS n. 110-71-4.

⚠AVVERTENZA

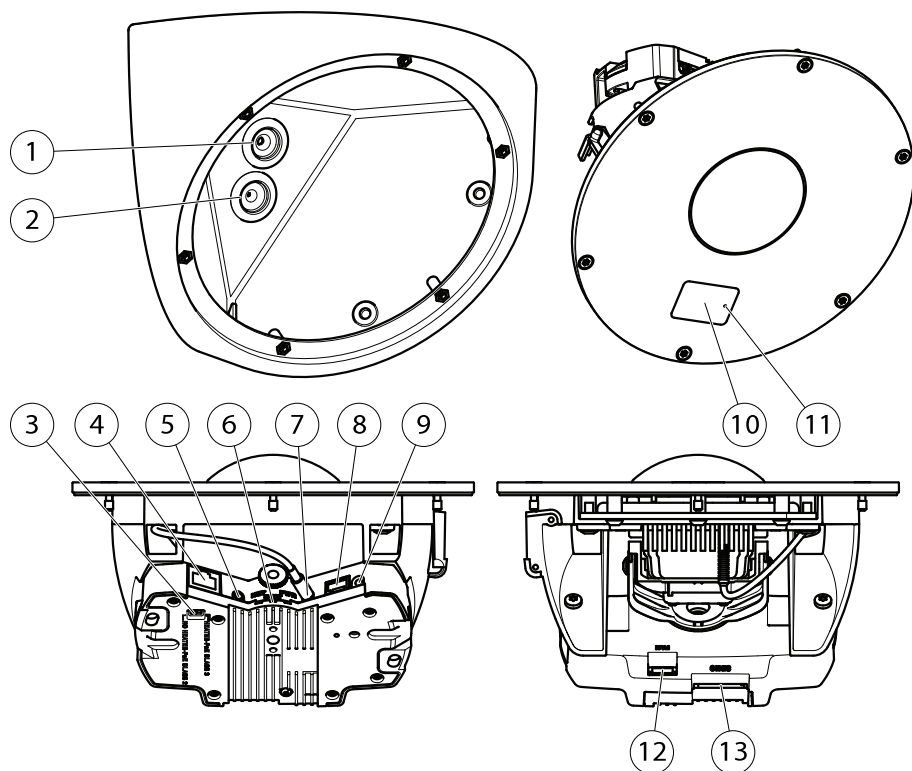
- Rischio di esplosione se la batteria viene sostituita in modo errato.
- Sostituire solo con una batteria identica o una batteria consigliata da Axis.

- Smaltire le batterie usate in base alle normative locali o alle istruzioni del produttore della batteria.

Contenido del paquete

- Cámara de red AXIS Q8414–LVS
- Arandelas (para los tornillos de montaje)
- Protector A del conector de AXIS
- Torx® punta TR20
- Conector de terminales de cuatro pines
- Materiales impresos
 - Guía de instalación (este documento)
 - Clave de autenticación AVHS

Información general del producto



- 1 Junta de cable (cable de red)
- 2 Junta de cable (cable de E/S o audio)
- 3 Selector de clase PoE*
- 4 Conector de red
- 5 Conector de salida de audio
- 6 Indicadores LED
- 7 Conector de entrada de audio
- 8 Conector de E/S
- 9 Botón de control
- 10 Ventana de infrarrojos
- 11 Micrófono
- 12 No se utiliza
- 13 Ranura para tarjetas SD

* Se utiliza para cambiar entre PoE de clase 2 (infrarrojos limitados) y PoE de clase 3 (infrarrojos completos). Vea *página 134*.

Cómo instalar el producto

Instalación del hardware

AVISO

- El producto se conectará mediante un cable de red blindado (STP). Todos los cables que conecten el producto al midspan deberán estar blindados (STP) y diseñados para su uso específico. Asegúrese de que el midspan disponga de una conexión a tierra adecuada. Para obtener información sobre los requisitos normativos, vea *Regulatory information on page 4*.
- Preste atención para no arañar, dañar o dejar las huellas en la cubierta del domo, puesto que esto puede provocar una disminución de la calidad de imagen. Si es posible, mantenga el plástico protector en la parte delantera del conjunto de la cámara hasta que se complete la instalación.

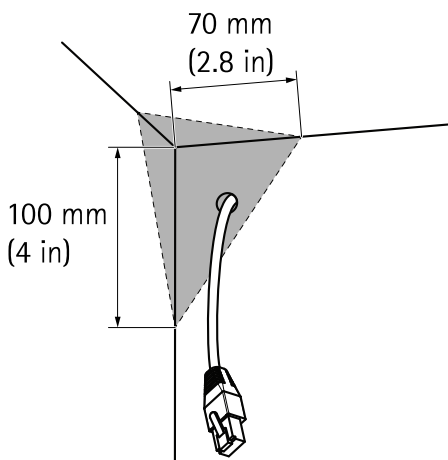
El producto de Axis puede instalarse guiando los cables a través de la pared o del techo.

Lea las instrucciones antes de instalar el producto. Algunos pasos de la instalación es beneficioso completarlos todos ya que requieren la retirada del conjunto de la cámara.

- Puede emplearse una tarjeta SD estándar o de gran capacidad (no incluida) para el almacenamiento local de grabaciones en el producto. Para instalar una tarjeta SD, vea *página 122*.
- Para guiar los cables antes de instalar el producto, vea *página 116*.
- Para instalar el producto, vea *página 117*.

Guía de los cables

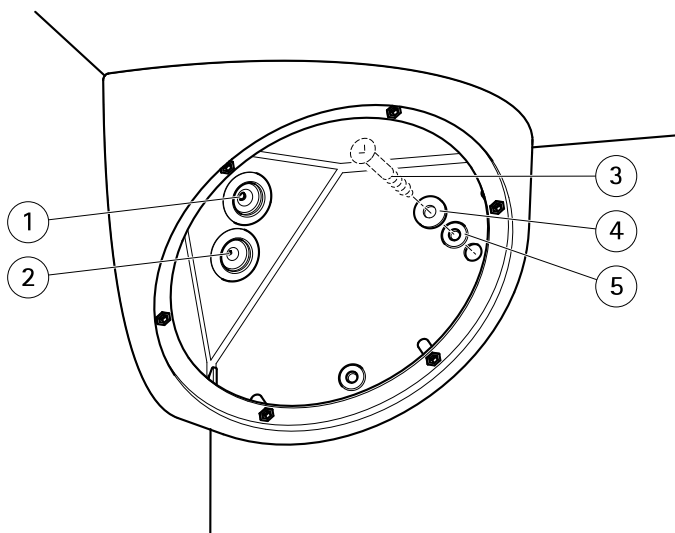
1. Mida la zona triangular en la esquina entre el techo y las paredes.
2. Pase el cable de red (y el cable de audio y de E/S, si fuese necesario) a través de la zona triangular de la pared.



ES

Instalación de la unidad de la cámara

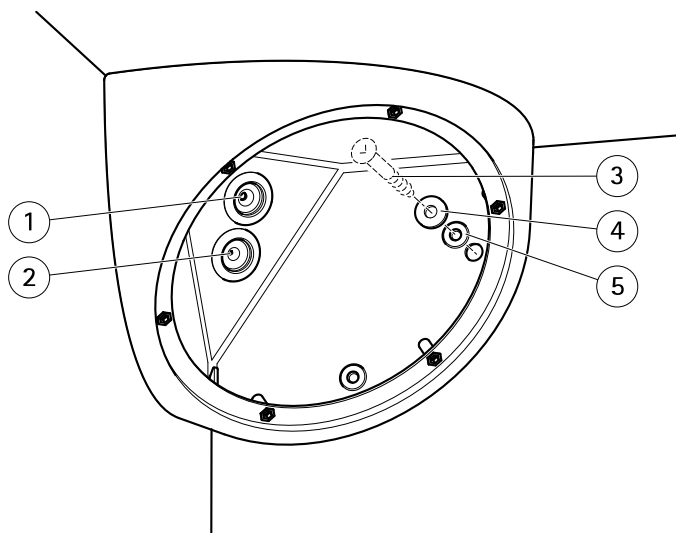
1. Retire las juntas de los orificios superiores y laterales del chasis posterior.
2. Coloque el chasis posterior en la esquina entre el techo y las paredes. Utilice un lápiz para marcar dónde irán los tornillos guiándose por los orificios superiores y laterales.



1 Junta del cable de red

- 2 *Junta de cable de E/S*
- 3 *Tornillo (no incluido)*
- 4 *Arandela*
- 5 *Junta*

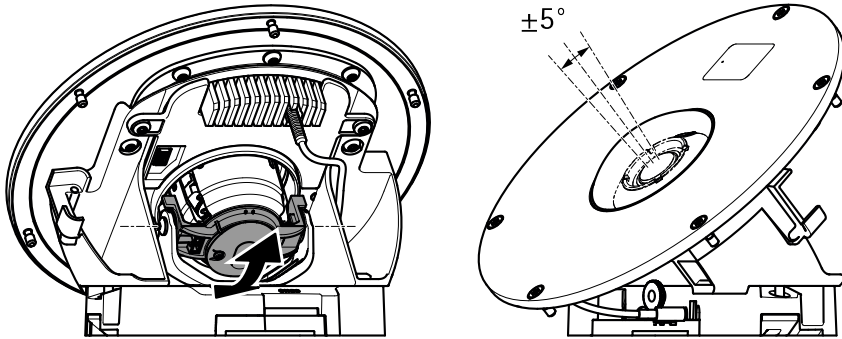
3. Perfore orificios para los tornillos en el techo y en las paredes.
4. Vuelva a encajar las juntas en los agujeros correspondientes. Las juntas deben ajustarse perfectamente sin pliegues ni dobleces.
5. Retire la junta del cable de red del orificio posterior y guíe el cable de red a través de este orificio posterior.
6. Si procede: Retire la junta del cable de E/S del orificio posterior y guíe el cable de E/S a través de este orificio posterior.
7. Tire de la lengüeta de la junta del cable para abrirla.
8. Fije el protector del conector A de AXIS a la parte superior del conector de red RJ45. Arrastre la junta del cable de red a lo largo del cable y conéctela a la junta del cable de red, en su orificio. La junta debe ajustarse perfectamente sin pliegues ni dobleces.
9. Retire el protector del conector A de AXIS de la parte superior del conector de red RJ45.
10. Si procede: Tire del cable de E/S a través de la junta del cable de E/S antes de acoplar el conector de E/S al cable. Encaje la junta del cable de E/S en su orificio. La junta debe ajustarse perfectamente sin pliegues ni dobleces.
11. Coloque el chasis posterior en la esquina de la pared utilizando los tornillos apropiados para el material de las paredes y el techo. Los tornillos deben atravesar las arandelas y las juntas para fijar el sellado IP66.



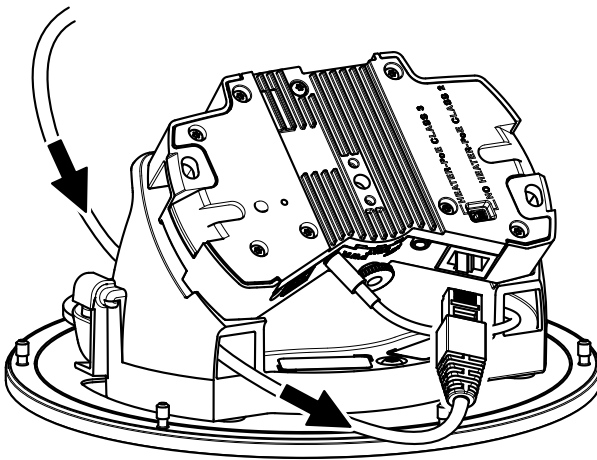
- 1 Junta del cable de red
- 2 Junta de cable de E/S
- 3 Tornillo (no incluido)
- 4 Arandela
- 5 Junta

12. Para un sellado óptimo: Aplique una banda de sellador en masilla o un relleno flexible a lo largo de los laterales del chasis posterior. Asegúrese de que no quede ningún hueco libre entre el chasis posterior y el techo o las paredes.
13. Si procede: Inserte una tarjeta SD (no incluida) en la ranura de tarjetas SD del conjunto de la cámara.
14. Si procede: Vea *Instalación del kit de montaje A AXIS T8642 (se vende por separado)* en la página 123.
15. Si procede: Vea *Instalación de un interruptor de puerta A AXIS para la detección de intrusiones (se vende por separado)* en la página 124.
16. Si procede: Vea *Instalación del domo ahumado para la AXIS Q8414-LVS (se vende por separado)* en la página 125.
17. Si procede: Vea *Instalación de la ventana de infrarrojos B para la AXIS Q8414-LVS (se vende por separado)* en la página 125.
18. Si es necesario: Ajuste manualmente el ángulo del objetivo para adaptarlo al tamaño y la forma de la zona vigilada. Para posiciones verticales, vea *Configuración del campo de visión* en la página 121

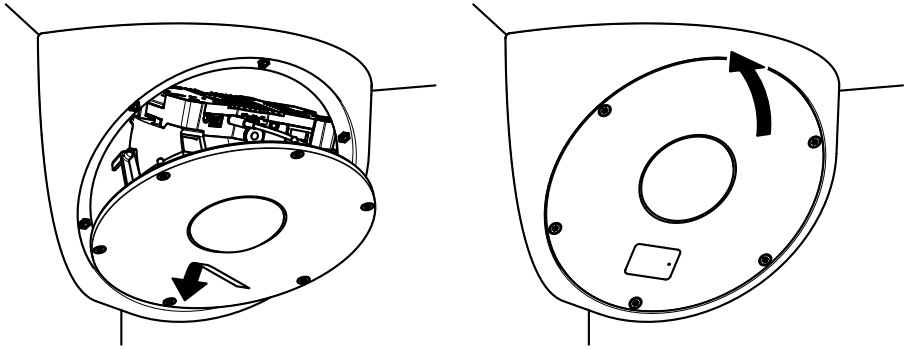
AXIS Q8414-LVS Network Camera



19. Guíe el cable de red por el túnel del cable hasta la parte posterior del conjunto de la cámara y conéctelo al conector de red.



20. Si procede: Guíe el cable de E/S por el túnel del cable hasta la parte posterior del conjunto de la cámara y conéctelo al conector de E/S.
21. Sujete el conjunto de la cámara, de manera que la ventana de infrarrojos de la parte delantera quede en la posición de las seis en punto y coloque la parte inferior del conjunto de la cámara contra la parte inferior de la apertura del chasis posterior.



22. Pliegue la parte superior del conjunto de la cámara hacia arriba hasta que dicho conjunto esté a presión contra todo el borde de la apertura del chasis posterior.

ES

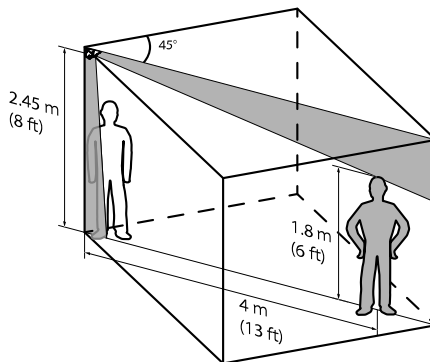
Importante

Ajuste la holgura del cable de manera que los cables no queden apretados entre los lados del conjunto de la cámara y el chasis posterior.

23. Sujete el conjunto de la cámara al chasis posterior utilizando los tornillos (par de torsión 2,5 Nm).
24. Retire la película protectora de la parte frontal del conjunto de la cámara.

Configuración del campo de visión

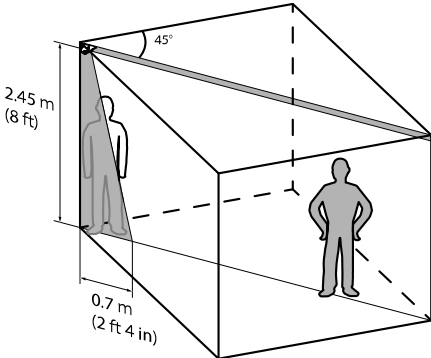
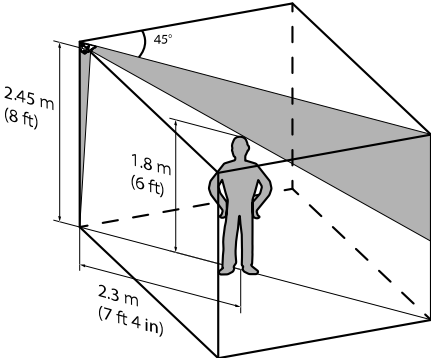
Incline el objetivo para conseguir el campo de visión óptimo que abarque la mayor parte posible de la zona vigilada.



AXIS Q8414-LVS Network Camera

Posiciones verticales máximas del objetivo

La posición vertical para el campo de visión óptimo se encuentra entre las posiciones verticales máximas.

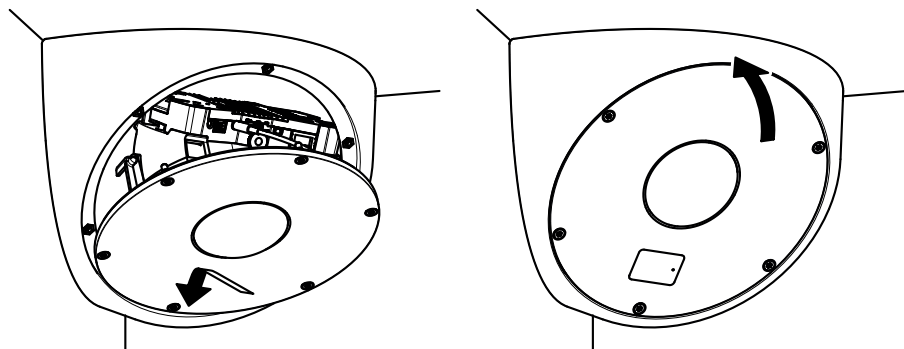
Ver- tical hacia ar- riba	
Ver- tical hacia abajo	

Instalación de una tarjeta SD

Opcionalmente se puede instalar una tarjeta SD estándar o de gran capacidad (no incluida) para grabación local con almacenamiento extraíble.

1. Afloje los tornillos de la parte delantera y retire el conjunto de la cámara.
2. Inserte una tarjeta SD (no incluida) en la ranura de tarjetas SD.

3. Sujete el conjunto de la cámara, de manera que la ventana de infrarrojos de la parte delantera quede en la posición de las seis en punto y coloque la parte inferior del conjunto de la cámara contra la parte inferior de la apertura del chasis posterior.



ES

4. Pliegue la parte superior del conjunto de la cámara hacia arriba hasta que dicho conjunto esté apretado contra todo el borde de la apertura del chasis posterior.

Importante

Ajuste la holgura del cable de manera que los cables no queden apretados entre los lados del conjunto de la cámara y el chasis posterior.

5. Acople el conjunto de la cámara al chasis posterior utilizando los tornillos (par de torsión 2,5 Nm).

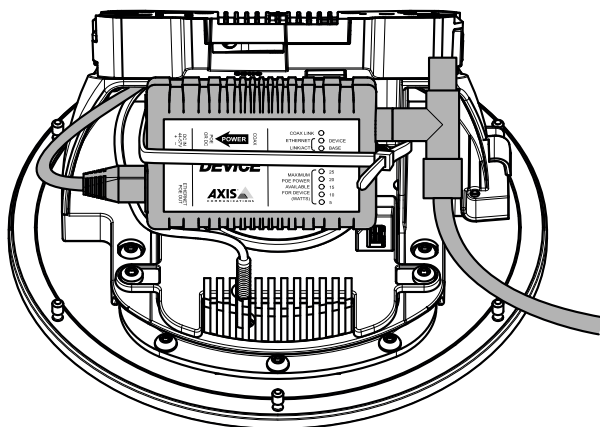
AVISO

Para evitar que las grabaciones resulten dañadas, es preciso desinstalar la tarjeta SD antes de expulsarla. Para desmontarla, vaya a **Setup > System Options > Storage > SD Card** (Configuración > Opciones del sistema > Almacenamiento > Tarjeta SD) y haga clic en **Unmount** (Desmontar).

Instalación del kit de montaje A AXIS T8642 (se vende por separado)

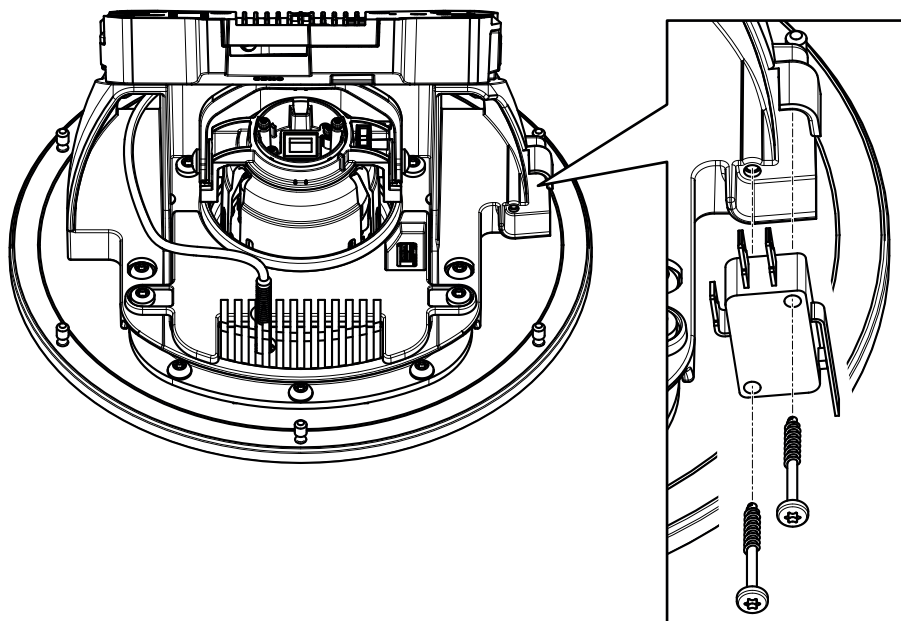
Con el contenido de este kit de accesorios se puede montar un adaptador Ethernet a través de cable coaxial (no incluido) que permite a los instaladores de cámaras mantener el cableado coaxial existente ya que convierte el sistema analógico en digital.

1. Conecte el conector BNC en ángulo al dispositivo AXIS T8642.
2. Conecte el cable de red al conector de red del dispositivo AXIS T8642.
3. Guíe el otro extremo del cable de red por el túnel del cable hasta la parte posterior del conjunto de la cámara y conéctelo al conector de red.
4. Guíe la abrazadera para cables a través del túnel del cable y conecte el dispositivo AXIS T8642 al conjunto de la cámara.



Instalación de un interruptor de puerta A AXIS para la detección de intrusiones (se vende por separado)

1. En la parte posterior del conjunto de la cámara: coloque el interruptor en el compartimento vacío junto al túnel del cable.



2. Acople el interruptor al compartimento utilizando los tornillos.
3. Guíe el cable de E/S a través del túnel del cable hasta la parte posterior del conjunto de la cámara.
4. Recorte el exceso de cable de E/S y ajuste el bloque de terminales de E/S al cable de E/S.
5. Enchufe el bloque de terminales de E/S al conector de E/S.

Instalación del domo ahumado para la AXIS Q8414–LVS (se vende por separado)

1. Coloque el conjunto de la cámara con la parte frontal hacia abajo sobre una superficie elevada y asegúrese de que el cristal del domo no toque ningún objeto desde esta posición.
2. Afloje los tornillos negros (T20) que fijan el soporte de la cámara a la parte posterior del conjunto de la cámara.
3. Desconecte el cable del micrófono de la cámara, tire del otro extremo del cable del micrófono a través del soporte de la cámara y retírelo del conjunto de la cámara.
4. Retire el soporte de la cámara de la parte posterior del conjunto de la cámara.
5. Sustituya el domo del cristal transparente de la abertura frontal por un domo de cristal ahumado.
6. Conecte el cable del micrófono a la ventana de luz infrarroja y arrastre el otro extremo del cable del micrófono a través del soporte de la cámara.
7. Coloque el soporte de la cámara en su posición original, en la parte posterior del conjunto de la cámara.

ES

Importante

Asegúrese de que la ventana de luz infrarroja está colocada en su compartimento y de que el cable del micrófono sigue conectado a dicha ventana.

8. Arrastre el cable del micrófono por el túnel del cable y conéctelo a la cámara.
9. Apriete los tornillos negros (T20, par de torsión de 2,5 N) que fijan el soporte de la cámara al conjunto de la cámara.

Instalación de la ventana de infrarrojos B para la AXIS Q8414–LVS (se vende por separado)

Este kit de accesorios es apto para instalaciones que no requieren audio. Las ventanas de luz infrarroja no están equipadas con orificios de micrófono.

1. Coloque el conjunto de la cámara con la parte frontal hacia abajo sobre una superficie elevada y asegúrese de que el cristal del domo no toque ningún objeto desde esta posición.
2. Afloje los tornillos negros (T20) que fijan el soporte de la cámara a la parte posterior del conjunto de la cámara.

3. Desconecte el cable del micrófono de la cámara, tire del otro extremo del cable del micrófono a través del soporte de la cámara y retírelo del conjunto de la cámara.
4. Retire el soporte de la cámara de la parte posterior del conjunto de la cámara.
5. Sustituya la ventana de luz infrarroja en la abertura delantera por la del kit.
6. Coloque el soporte de la cámara en su posición original, en la parte posterior del conjunto de la cámara.

Importante

Asegúrese de que la ventana de luz infrarroja está colocada en su compartimento.

7. Apriete los tornillos negros (T20, par de torsión de 2,5 N) que fijan el soporte de la cámara al conjunto de la cámara.

Cómo acceder al producto

Se recomiendan AXIS IP Utility y AXIS Camera Management como métodos para buscar los productos de Axis en la red y asignarles direcciones IP en Windows®. Ambas aplicaciones son gratuitas y pueden descargarse de www.axis.com/support

El producto se puede utilizar con la mayoría de los sistemas operativos y navegadores. Los navegadores recomendados son:

- Internet Explorer® con Windows®
- Safari® con OS X®
- Chrome™ o Firefox® con otros sistemas operativos.

Para obtener más información sobre el uso del producto, consulte el manual del usuario, disponible en www.axis.com.

Ajuste del enfoque y el zoom

El enfoque y el zoom solo deben configurarse al instalar o volver a instalar el producto.

1. Vaya a **Setup (Configuración) > Video Et Audio (Vídeo y audio)**.
2. En la página de enfoque, vaya a la pestaña **Basic (Básica)**.
3. Establezca el nivel de zoom con el control deslizante.

Nota

Deben evitarse los movimientos delante de la cámara durante el enfoque automático.

4. Haga clic en **Perform auto focus (Realizar enfoque automático)**.
5. Si no está satisfecho con el resultado, vaya a la pestaña **Advanced (Avanzada)**.

Nota

Al cambiar el nivel de zoom, se mueve la posición de enfoque. El enfoque siempre debe ajustarse después de cambiar el zoom.

En la pestaña **Advanced (Configuración avanzada)**, se puede ajustar el enfoque manualmente:

1. Haga clic en **Open iris (Abrir iris)** para abrir el iris hasta su máxima posición. Con esto se consigue la menor profundidad de campo posible y, por tanto, las condiciones óptimas de enfoque.
2. El enfoque se establece en la **Focus window (Ventana de enfoque)**. Utilice el ratón para mover la ventana de enfoque y cambiar su tamaño.
3. Haga clic en la barra **Focus position (Posición de enfoque)** para enfocar una localización concreta.
4. Cuando el resultado sea satisfactorio, haga clic en **Enable iris (Activar iris)** para activar el iris.

Cómo restablecer la configuración predeterminada de fábrica

Importante

Es preciso tener cuidado si se va a restablecer la configuración predeterminada de fábrica. Todos los valores, incluida la dirección IP, se restablecerán a la configuración predeterminada de fábrica.

Para restablecer el producto a la configuración predeterminada de fábrica:

1. Desconecte la alimentación del producto.
2. Mantenga pulsado el botón de control y vuelva a conectar la alimentación.
3. Mantenga pulsado el botón de control durante 15-30 segundos hasta que el indicador LED de estado parpadee en ámbar.
4. Suelte el botón de control. El proceso finaliza cuando el indicador LED de estado se pone verde. El producto se ha restablecido a la configuración predeterminada de fábrica. Si no hay ningún servidor DHCP disponible en la red, la dirección IP predeterminada es 192.168.0.90.
5. Utilice las herramientas del software de instalación y gestión para asignar una dirección IP, establecer la contraseña y acceder a la transmisión de vídeo.

Las herramientas del software de instalación y gestión están disponibles en las páginas de asistencia técnica en www.axis.com/support.

También es posible restablecer los parámetros a los valores predeterminados de fábrica mediante la interfaz web. Vaya a **Setup > System Options > Maintenance (Configuración > Opciones del sistema > Mantenimiento)** y haga clic en **Default (Predeterminado)**.

Mantenimiento

AVISO

- Para limpiar el producto de Axis, utilice agua jabonosa o cualquier otro producto de limpieza multiuso (ácido, alcalino, neutro)* y siga las instrucciones que facilita el fabricante.
- Si es necesario, el producto Axis puede limpiarse con una manguera de agua. Mueva el pulverizador de un lado a otro.

* No utilice productos de limpieza abrasivos.

Más información

- Para consultar la versión más reciente de este documento, vaya a www.axis.com
- El manual de usuario se encuentra disponible en www.axis.com.
- Para comprobar si existe un firmware actualizado disponible para su producto, vaya a www.axis.com/support
- Para consultar seminarios web y cursos en línea que pueden resultarle útiles, vaya a www.axis.com/academy

Accesorios opcionales

- Kit de montaje A AXIS T8642 (para instalar un adaptador Ethernet a través de cable coaxial PoE dentro de la cámara). Vea *página 123*.
- Interruptor de puerta A AXIS (para la detección de intrusiones). Vea *página 124*.
- Domo ahumado AXIS Q8414-LVS (5 piezas). Vea *página 125*.
- Ventana de infrarrojos B para la AXIS Q8414-LVS (ventana sólida sin orificio de micrófono; 5 piezas). Vea *página 125*.
- Cable de audio y E/S de 5 m

Para obtener información sobre los accesorios disponibles, visite www.axis.com.

Especificaciones

Indicadores LED

Nota

- Se puede configurar el LED de estado para que se apague durante el funcionamiento normal. Para ello, vaya a **Setup > System Options > Ports & Devices > LED** (Configuración > Opciones del sistema > Puertos y dispositivos > LED). Vea la ayuda en línea para obtener más información.
- Se puede configurar el LED Estado para que parpadee mientras haya un evento activo.
- Se puede configurar el LED de estado para que parpadee e identifique la unidad. Vaya a **Setup > System Options > Maintenance** (Configuración > Opciones del sistema > Mantenimiento).

LED de estado	Indicación
Verde	Fijo para indicar un funcionamiento normal.
Ámbar	Fijo durante el inicio. Parpadea al restaurar valores de configuración.
Rojo	Error durante la actualización del firmware.

ES

LED de red	Indicación
Verde	Fijo para indicar una conexión a una red de 100 Mbits/s. Parpadea cuando hay actividad de red.
Ámbar	Fijo para indicar una conexión a una red de 10 Mbits/s. Parpadea cuando hay actividad de red.
Apagado	No hay conexión a la red.

LED de alimentación	Indicación
Verde	Funcionamiento normal.
Ámbar	Parpadea en verde/ámbar durante la actualización del firmware.

Ranura para tarjetas SD

AVISO

- Riesgo de daños en la tarjeta SD. No emplee herramientas afiladas, objetos de metal ni demasiada fuerza al insertar o extraer la tarjeta SD. Utilice los dedos para insertar o extraer la tarjeta.

AXIS Q8414–LVS Network Camera

- Riesgo de pérdida de datos y grabaciones dañadas. No extraiga la tarjeta SD mientras el producto esté en funcionamiento. Desconecte la alimentación o desinstale la tarjeta SD desde la página web de producto antes de retirarla.

Este producto admite tarjetas SD/SDHC/SDXC (no incluidas).

Para conocer las recomendaciones de tarjeta SD, consulte www.axis.com.

Conectores

Conector de red

Conector Ethernet RJ45 con alimentación a través de Ethernet (PoE).

AVISO

El producto se conectará mediante un cable de red blindado (STP). Todos los cables que conecten el producto a la red deberán estar blindados para su uso específico. Asegúrese de que los dispositivos de red estén instalados de conformidad con las instrucciones del fabricante. Para obtener información sobre los requisitos normativos, vea *Electromagnetic compatibility (EMC) on page 4*.

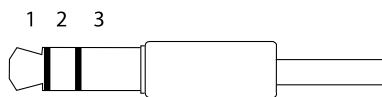
Conector de audio

El producto de Axis integra los siguientes conectores de audio:

- **Entrada de audio (rosa):** entrada de 3,5 mm para micrófono mono, o entrada de línea de señal mono.
- **Salida de audio (verde):** salida para audio (nivel de línea) de 3,5 mm que se puede conectar a un sistema de megafonía pública o a un altavoz con amplificador incorporado. Se recomienda utilizar un conector estéreo para la salida de audio.

En el caso de la entrada de audio, se utiliza el canal izquierdo de una señal estéreo.

Conectores de audio de 3,5 mm (estéreo)



	1 Punta	2 Anillo	3 Manguito
Entrada de audio	Entrada de línea/micrófono	Tensión de polarización del micrófono	Tierra
Salida de audio	Salida de línea (mono)	Salida de línea (mono)	Tierra

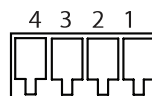
Acerca de los conectores de E/S

Utilice el conector de E/S con dispositivos externos en combinación con, por ejemplo, alarmas antimanipulación, detección de movimiento, activación de eventos y notificaciones de alarma. Además del punto de referencia de 0 V CC y la alimentación (salida de CC), el conector de E/S ofrece una interfaz para:

Salida digital – Conectar dispositivos externos como relés y LED. Los dispositivos conectados se pueden activar mediante la interfaz de programación de aplicaciones VAPIX® o en la página web del producto.

Entrada digital – Conectar dispositivos que puedan alternar entre circuitos cerrados y abiertos, por ejemplo, sensores PIR, contactos de puertas y ventanas o detectores de cristales rotos.

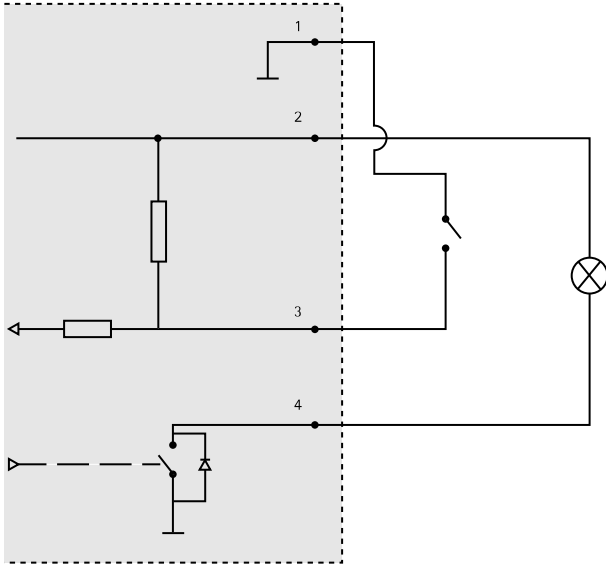
Bloque de terminales de 4 pines



ES

Función	Pin	Notas	Especificaciones
0 V CC (-)	1		0 V CC
Salida de CC	2	Se puede utilizar para conectar el equipo auxiliar. Nota: Este pin solo se puede utilizar como salida.	3,3 V CC Carga máx. = 50 mA
Entrada digital	3	Conéctela al pin 1 para activarla o déjela suelta (desconectada) para desactivarla	De 0 a 40 V CC máx.
Salida digital	4	Conectada al pin 1 cuando se activa y suelta (sin conectar) cuando está desactivada. Si se utiliza con una carga inductiva, por ejemplo, un relé, debe conectarse un diodo en paralelo a la carga como protección contra transitorios de tensión.	De 0 a 40 V CC máx., colector abierto, 100 mA

AXIS Q8414-LVS Network Camera



- 1 0 V CC (-)
- 2 Salida de CC: 3,3 V, 50 mA máx.
- 3 Entrada digital: de 0 a 40 V CC máx.
- 4 Salida digital: de 0 a 40 V CC máx., colector abierto, 100 mA

Condiciones de funcionamiento

El producto de Axis se ha creado para su uso en interiores.

Producto	Clasificación	Temperatura	Humedad
AXIS Q8414-LVS	NEMA 250 Tipo 4X, IEC/EN 60529 IP66, Clase 4M4 IEC 60721-3-4	De 0 °C a 50 °C	Humedad relativa: del 10% al 100% (con condensación)

Consumo

AVISO

Utilice una fuente de alimentación limitada (LPS) con una potencia nominal de salida limitada a ≤ 100 W o una corriente nominal de salida limitada a ≤ 5 A.

AXIS Q8414-LVS Network Camera

Producto	PoE
AXIS Q8414-LVS	Alimentación a través de Ethernet IEEE 802.3af/802.3at Tipo 1 Clase 2, máx. 6,2 W (infrarrojos limitados)
	Alimentación a través de Ethernet IEEE 802.3af/802.3at Tipo 1 Clase 3, máx. 8,7 W (full IR)

ES

Información de seguridad

Niveles de peligro

▲PELIGRO

Indica una situación peligrosa que, si no se evita, provocará lesiones graves o la muerte.

▲ADVERTENCIA

Indica una situación peligrosa que, si no se evita, puede provocar lesiones graves o la muerte.

▲ATENCIÓN

Indica una situación peligrosa que, si no se evita, puede provocar lesiones moderadas o leves.

AVISO

Indica una situación peligrosa que, si no se evita, puede provocar daños materiales.

ES

Otros niveles de mensaje

Importante

Indica información importante que es fundamental para que el producto funcione correctamente.

Nota

Indica información útil que ayuda a aprovechar el producto al máximo.

Instrucciones de seguridad

AVISO

- El producto de Axis debe utilizarse de acuerdo con las leyes y normativas locales.
- Axis recomienda utilizar un cable de red blindado (STP) CAT5 o superior.
- Almacene el producto de Axis en un entorno seco y ventilado.
- No instale el producto en postes, soportes, superficies o paredes inestables.
- Utilice solo las herramientas correspondientes cuando instale el producto de Axis. La aplicación de una fuerza excesiva con herramientas eléctricas puede provocar daños en el producto.
- Utilice solo accesorios que cumplan con las especificaciones técnicas de su producto. Estos accesorios los puede proporcionar Axis o un tercero. Axis recomienda utilizar un equipo de suministro de alimentación de Axis compatible con su producto.
- Utilice solo piezas de repuesto proporcionadas o recomendadas por Axis.
- No intente reparar el producto usted mismo. Póngase en contacto con el servicio de asistencia técnica de Axis o con su distribuidor de Axis para tratar asuntos de reparación.

Transporte

AVISO

- Cuando transporte el producto de Axis, utilice el embalaje original o un equivalente para evitar daños en el producto.

Batería

Este producto de Axis utiliza una batería de litio BR2032 de 3,0 V como fuente de alimentación del reloj interno en tiempo real. En condiciones normales, esta batería durará un mínimo de cinco años.

Un nivel bajo de batería afectará al funcionamiento del reloj en tiempo real, lo que provocará el restablecimiento de este cada vez que se encienda el producto. Cuando sea necesario sustituir la batería, aparecerá un mensaje de registro en el informe del servidor del producto. Para obtener más información sobre el informe del servidor, consulte las páginas de configuración del producto o póngase en contacto con el servicio de asistencia técnica de Axis.

La batería no debe sustituirse a menos que sea necesario; no obstante, si precisa hacerlo, póngase en contacto con el servicio de asistencia técnica de Axis en www.axis.com/support para solicitar ayuda.

Las pilas de botón de litio de 3,0 V contienen 1,2-dimetoxietano; éter dimetilico de etilenglicol (EGDME), n.º CAS 110-71-4.

⚠ ADVERTENCIA

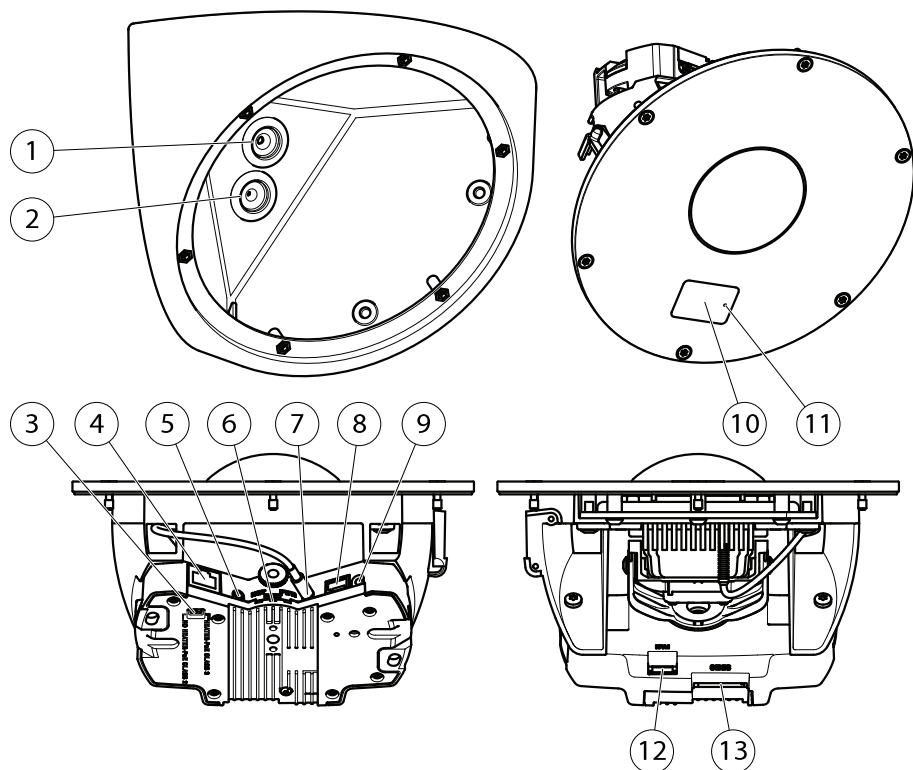
- La sustitución incorrecta de la batería implica riesgo de explosión.

- Sustituya la batería por una batería idéntica u otra batería recomendada por Axis.
- Deseche las baterías usadas de conformidad con la normativa local o las instrucciones del fabricante.

パッケージの内容

- AXIS Q8414-LVSネットワークカメラ
- ワッシャー (ネジの取り付け用)
- AXISコネクタガードA
- Torx® ビットTR20
- 4ピンターミナルコネクタ
- 印刷物
 - インストールガイド (本書)
 - AVHS認証キー

製品の概要



- 1 ケーブルガasket (ネットワークケーブル)
- 2 ケーブルガasket (I/Oまたはオーディオケーブル)
- 3 PoEクラスセクター*
- 4 ネットワークコネクタ
- 5 音声出力コネクタ
- 6 LEDインジケター
- 7 音声入力コネクタ
- 8 I/Oコネクタ
- 9 コントロールボタン
- 10 赤外線ウィンドウ
- 11 マイク
- 12 使用しません
- 13 SDカードスロット

* PoE Class 2 (制限付き赤外線) と PoE Class 3 (フル赤外線) の切り替えに使用します。162ページを参照してください。

製品の取り付け方法

ハードウェアのインストール

注記

- 本製品は、シールドネットワークケーブル (STP) を使用して接続してください。本製品とミッドスパンを接続する場合は、個別の用途に合ったシールドネットワークケーブル (STP) を使用してください。ミッドスパンは適切に接地してください。法的要件については、*Regulatory information on page 4*を参照してください。
- 画質低下の原因となるので、ドームカバーに傷や指紋を付けたり、損傷しないように注意してください。可能であれば、設置が完了するまでカメラ部の前のプラスチック製の保護カバーは付けたままにしてください。

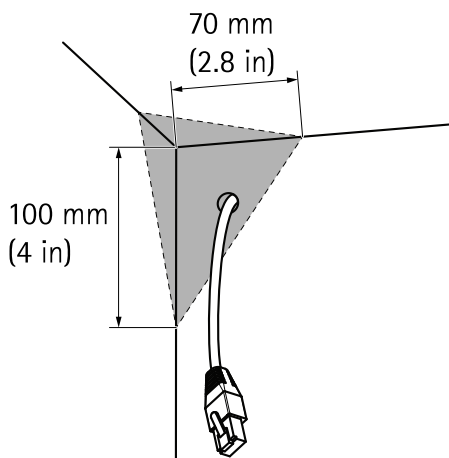
本製品は、ケーブルを壁や天井に沿わせたり、壁の中を通して配線して、設置することができます。

製品を取り付ける前に、すべての説明に目を通してください。一部の設置手順ではカメラ部を取り外さなければならない場合があるため、読んでおくに役に立ちます。

- 標準または大容量のSDメモリーカード (非付属品) を使用すると、ローカルに録画を行えます。SDメモリーカードの装着方法については、*150*ページを参照してください。
- 製品を取り付ける前にケーブルを配線する方法については、*144*ページを参照してください。
- 製品の取り付け方法については、*145*ページを参照してください。

ケーブルの配線

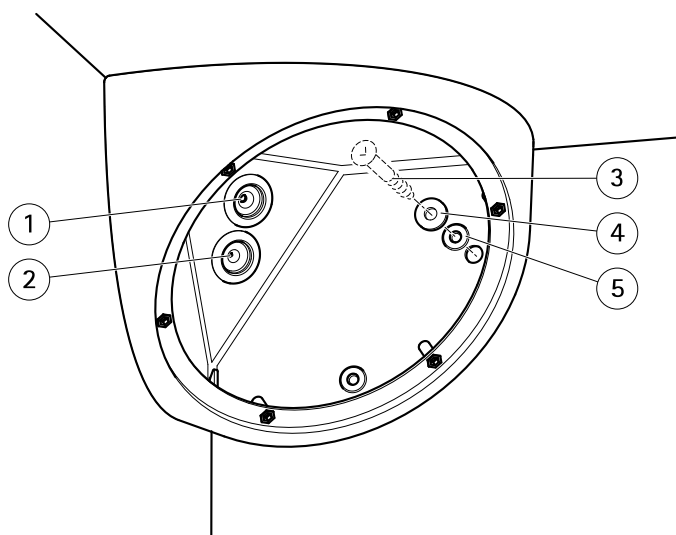
1. 背面シャーシを天井と壁の間の角で三角形の領域を測定します。
2. ネットワークケーブルを (必要に応じて、I/O、音声ケーブルも) 壁の三角形領域を通して配線します。



カメラユニットの設置

1. 背面シャーシの上部と側面にある穴からガスケットを取り外します。
2. 背面シャーシを天井と壁の間の角に配置します。鉛筆を使用して、上部と側面の穴を通すネジ用のマークを付けます。

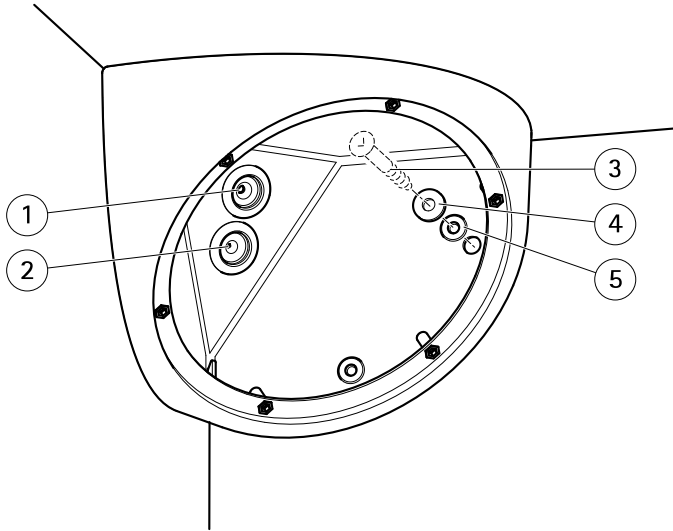
JA



- 1 ケーブルガスケット、ネットワーク

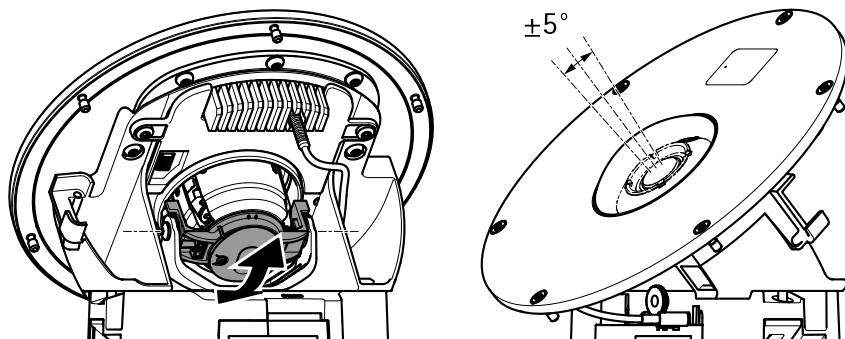
- 2 ケーブルガスケット、I/O
- 3 ネジ(非付属品)
- 4 ワッシャー
- 5 ガスケット

3. 天井と壁にネジ用の穴を開けます。
4. ガスケットを元の穴に差し込みます。ガスケットは、折ったり、曲げたりせずにぴったりとはめ込みます。
5. ネットワークケーブルガスケットを背面の穴から取り外し、ネットワークケーブルをこの穴に通します。
6. 該当する場合: I/Oケーブルガスケットを背面の穴から取り外し、I/Oケーブルをこの穴に通します。
7. ケーブルガスケットのタブを引っ張って開きます。
8. AXISコネクタガードAをRJ45ネットワークコネクタの上部に接続します。ネットワークケーブルガスケットをケーブル沿いに引いていき、ネットワークケーブルガスケットをこの穴に通します。ガスケットは、折ったり、曲げたりせずにぴったりとはめ込みます。
9. AXISコネクタガードAをRJ45ネットワークコネクタの上部から取り外します。
10. 該当する場合: I/OコネクタをI/Oケーブルに取り付ける前に、ケーブルをI/Oケーブルガスケットから引き出します。I/Oケーブルガスケットを当該の穴に差し込みます。ガスケットは、折ったり、曲げたりせずにぴったりとはめ込みます。
11. 壁と天井の材質に適したネジを使用して、背面シャーシを壁の角に取り付けます。IP66シーリングを保護するため、ネジはワッシャーとガスケットを通す必要があります。

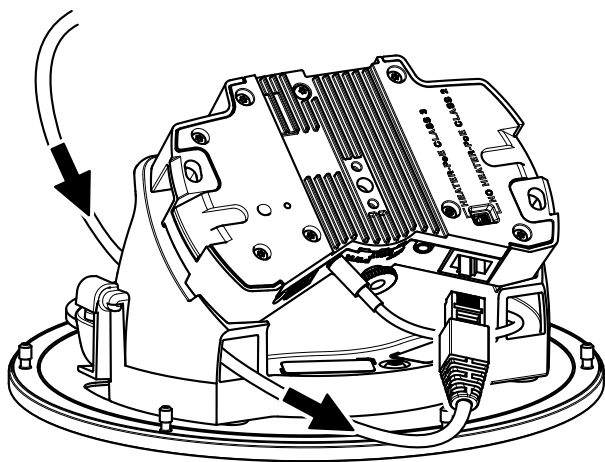


- 1 ケーブルガスカート、ネットワーク
- 2 ケーブルガスカート、I/O
- 3 ネジ(非付属品)
- 4 ワッシャー
- 5 ガスカート

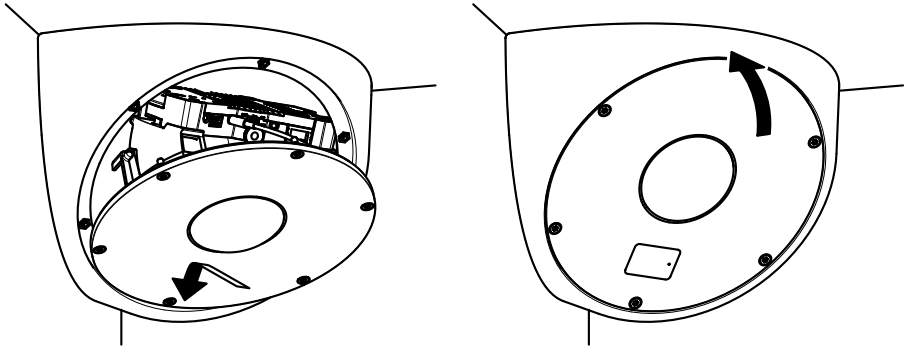
12. 最適なシーリングのために: 柔軟性のあるギャップフィラー/マスチックシーラントストリップを背面シャーシの側面に沿って貼り付けます。背面シャーシと天井/壁の間にあるすべてのギャップが埋まったことを確認します。
13. 該当する場合: SDカード(非付属品)をカメラ部のSDカードスロットに挿入します。
14. 該当する場合: 151ページの、*AXIS T8642*取り付けキットA(別売)の取り付けを参照してください。
15. 該当する場合: 152ページの、*侵入検知用のAXISドアスイッチA(別売)*の設置を参照してください。
16. 該当する場合: 153ページの、*AXIS Q8414-LVSスモークドーム(別売)*の取り付けを参照してください。
17. 該当する場合: 153ページの、*AXIS Q8414-LVS赤外線ウィンドウB(別売)*の取り付けを参照してください。
18. 必要な場合: レンズの角度を手動で調整し、監視領域のサイズと形状に合わせます。チルト位置については、149ページの、*カメラの視野の設定*を参照してください。



19. ネットワークケーブルをカメラトンネル経由でカメラ部の背面に通し、ネットワークケーブルをネットワークコネクタに差し込みます。



20. 該当する場合: I/Oケーブルをカメラトンネル経由でカメラ部の背面に通し、I/OケーブルをI/Oコネクタに差し込みます。
21. 前面にある赤外線ウィンドウが6時の位置にあるようにカメラ部を固定し、カメラ部の下部を背面シャーシ開口部の下部に合わせて配置します。



22. カメラ部が背面シャーシ開口部のリム全体に押し当てられるまで、カメラ部の上部を上の方に折り返します。

重要

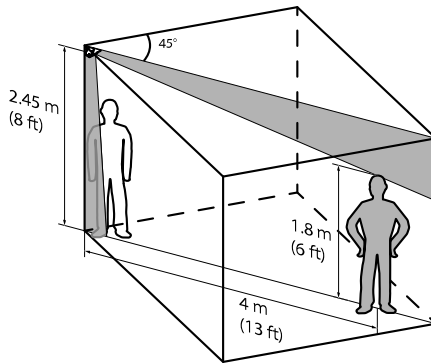
カメラ部と背面シャーシの側面に圧迫されないようにケーブルのたるみを調整します。

JA

23. ネジを使用してカメラ部を背面シャーシに取り付けます (トルク 2.5 Nm)。
 24. カメラ部の前面にある保護フィルムを取り外します。

カメラの視野の設定

監視領域をできるだけ多くカバーする最適の視野が得られるようにレンズをチルトします。

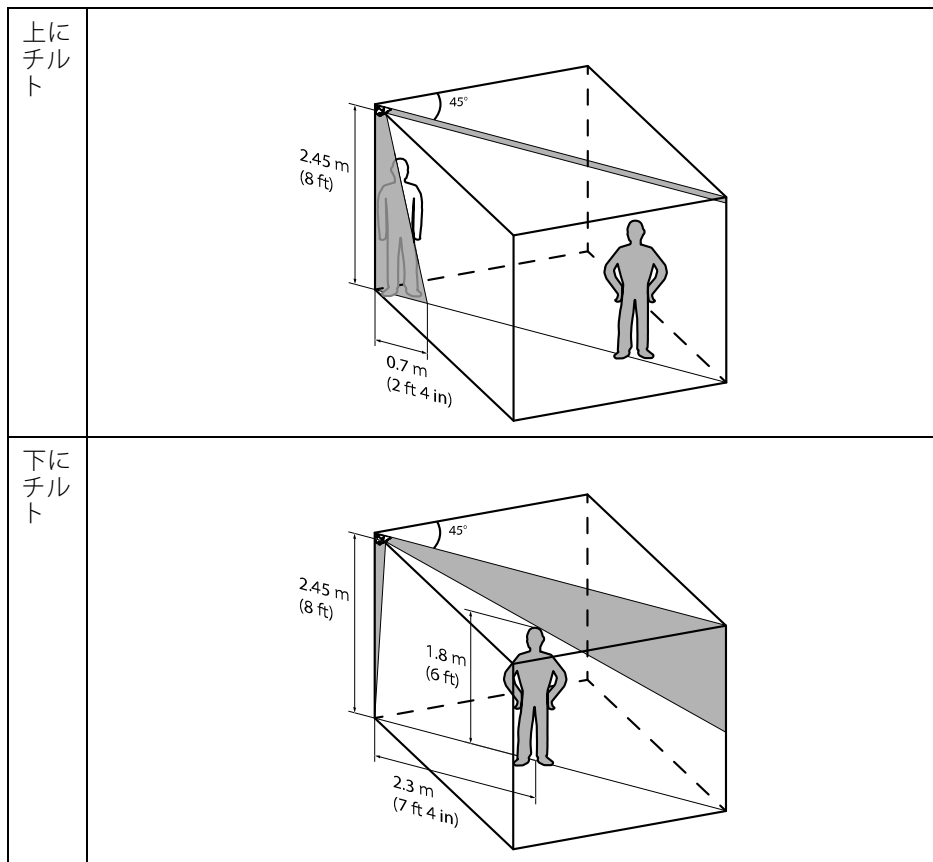


レンズの最大チルト位置

最適な視野が得られるチルト位置は、最大チルト位置の範囲内で見つかります。

AXIS Q8414-LVS Network Camera

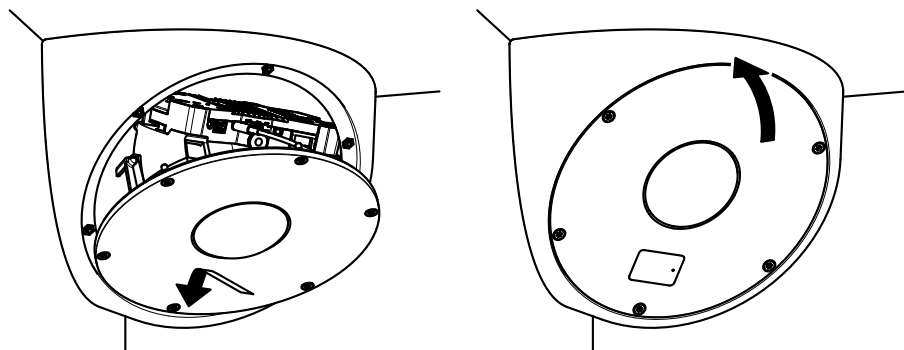
レンズの最大チルト位置 (続く)



SDカードの装着

必要に応じて、標準または大容量のSDカード (非付属品) を装着すると、ローカルに録画を行うことができます。

1. 前面にあるネジをゆるめて、カメラ部を取り外します。
2. SDカード (非付属品) をSDカードスロットに挿入します。
3. 前面にある赤外線ウィンドウが6時の位置にあるようにカメラ部を固定し、カメラ部の下部を背面シャーシ開口部の下部に合わせて配置します。



4. カメラ部が背面シャーシ開口部のリム全体に押し当てられるまで、カメラ部の上部を上の方に折り返します。

重要

カメラ部と背面シャーシの側面に圧迫されないようにケーブルのたるみを調整します。

5. ネジを使用してカメラ部を背面シャーシに取り付けます (トルク 2.5 Nm)。

注記

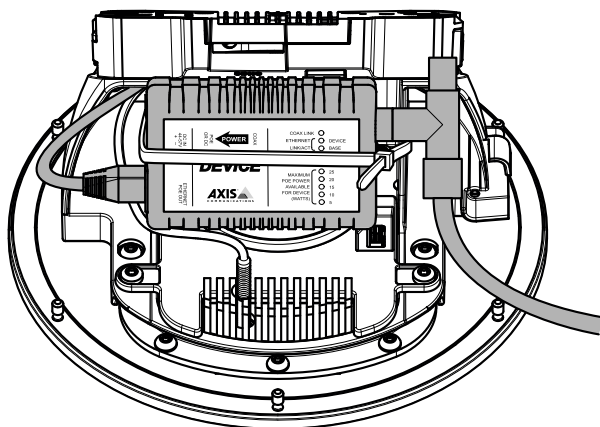
SDカードは、取り外す前に、録画データが破損しないようにアンマウントする必要があります。SDカードをアンマウントするには、**[Setup > System Options > Storage > SD Card]** (設定 > システムオプション > ストレージ) > SDカード) を選択し、**[Unmount]** (アンマウント) をクリックします。

JA

AXIS T8642 取り付けキット A (別売) の取り付け

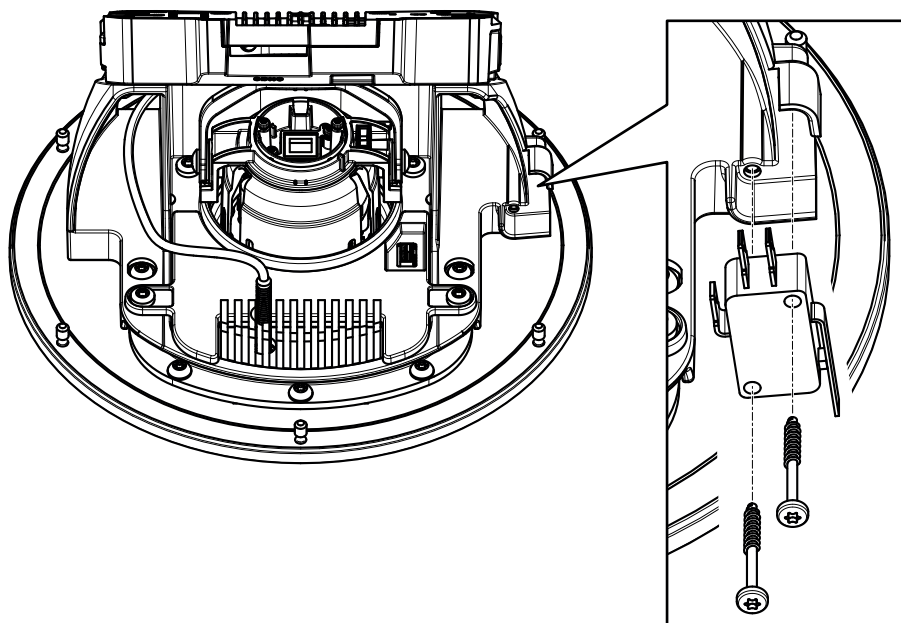
このアクセサリキットを使用して同軸変換アダプター (非付属品) を取り付けると、アナログシステムからデジタルシステムに移行する際に、既存の同軸ケーブルを維持しながらネットワークカメラを設置することができます。

1. 斜めBNCコネクタをAXIS T8642デバイスに取り付けます。
2. ネットワークケーブルをAXIS T8642デバイス上のネットワークコネクタに差し込みます。
3. ネットワークケーブルのもう一方の端をカメラトンネル経由でカメラ部の背面に通し、ネットワークケーブルをネットワークコネクタに差し込みます。
4. ケーブルタイをケーブルトンネルに通し、AXIS T8642デバイスをカメラ部に取り付けます。



侵入検知用のAXIS ドアスイッチA (別売) の設置

1. カメラ部の背面で、ケーブルトンネルの横にある空き区画にスイッチを配置します。



2. ネジを使用して、スイッチを区画に取り付けます。
3. ケーブルトンネル経由でI/Oケーブルをカメラ部の背面まで通します。
4. I/Oケーブルから余分な長さを切り落とし、I/OコネクタブロックをI/Oケーブルに取り付けます。
5. I/OコネクタブロックをI/Oコネクタに接続します。

AXIS Q8414-LVSスモークドーム (別売) の取り付け

1. 前面が浮き上がった表面に接するようにカメラ部を倒して配置し、ドームガラスがこの位置からいかなる物体にも触れないことを確認します。
2. カメラホルダーをカメラ部の背面に取り付けている黒色のネジ (T20) をゆるめます。
3. マイクケーブルをカメラから取り外し、マイクケーブルのもう一方の端をカメラホルダーから引き抜いた後、マイクケーブルをカメラ部から取り外します。
4. カメラホルダーをカメラ部の背面から取り外します。
5. 前面開口部にあるクリアガラスドームをスモークガラスドームに交換します。
6. マイクケーブルを赤外線照明ウィンドウに差し込み、マイクケーブルのもう一方の端をカメラホルダーに通します。
7. カメラホルダーをカメラ部の背面にある元の位置に配置します。

JA

重要

赤外線照明ウィンドウが当該の区画内にあり、マイクケーブルが赤外線照明ウィンドウに挿入されていることを確認します。

8. マイクケーブルをケーブルトンネルに通し、マイクケーブルをカメラに接続します。
9. 黒色のネジ (T20、トルク 2.5 Nm) を締め、カメラホルダーをカメラ部に取り付けます。

AXIS Q8414-LVS赤外線ウィンドウB (別売) の取り付け

このアクセサリキットは音声を必要としない設置に適しています。この赤外線照明ウィンドウにはマイク穴がありません。

1. 前面が浮き上がった表面に接するようにカメラ部を倒して配置し、ドームガラスがこの位置からいかなる物体にも触れないことを確認します。
2. カメラホルダーをカメラ部の背面に取り付けている黒色のネジ (T20) をゆるめます。
3. マイクケーブルをカメラから取り外し、マイクケーブルのもう一方の端をカメラホルダーから引き抜いた後、マイクケーブルをカメラ部から取り外します。
4. カメラホルダーをカメラ部の背面から取り外します。

5. 前面開口部にある赤外線照明ウィンドウをキットの赤外線照明ウィンドウと取り換えます。
6. カメラホルダーをカメラ部の背面にある元の位置に配置します。

重要

赤外線照明ウィンドウが当該の区画内に位置していることを確認します。

7. 黒色のネジ (T20、トルク 2.5 Nm) を締め、カメラホルダーをカメラ部に取り付けます。

製品のアクセス方法

ネットワーク上でAxis製品を検索したり、Windows®でそれにIPアドレスを割り当てるには、AXIS IP UtilityまたはAXIS Camera Managementの使用をお勧めします。いずれのアプリケーションも無料で、www.axis.com/supportからダウンロードできます。

本製品は、ほとんどのオペレーティングシステムとブラウザでご利用いただけます。推奨ブラウザは以下のとおりです。

- Internet Explorer® (Windows®の場合)
- Safari® (OS X®の場合)
- Chrome™またはFirefox® (その他のオペレーティングシステムの場合)

製品の使用の詳細については、Axisのホームページ (www.axis.com) でユーザーズマニュアルを参照してください

フォーカスとズームの設定

フォーカスとズームは、本製品のインストールまたは再インストール時にのみ設定してください。

1. [Setup (設定)] > [Video & Audio (映像と音声)] に移動します。
2. フォーカスページで、[Basic (基本設定)] タブに移動します。
3. スライダーを使用して、[Zoom (ズーム)] レベルを設定します。

注意

オートフォーカスの実行中は、カメラの前で動きが発生しないようにする必要があります。

4. [オートフォーカスの実行] をクリックします。
5. 結果に満足できない場合は、[詳細設定] タブに移動します。

注意

ズームレベルを変更すると、フォーカス位置が移動します。ズームを変更したら、必ずフォーカスの調整を行ってください。

[Advanced] (高度な設定) タブでは、以下の手順でフォーカスを手動で調整することができます。

JA

1. [Open iris] (開く) をクリックして、絞りを最大まで開きます。被写界深度が最小になり、焦点合わせに最適な条件になります。
2. フォーカスは、**フォーカスウィンドウ**で設定します。マウスを使用して、フォーカスウィンドウの移動やサイズの変更を行います。
3. [フォーカス位置] バーをクリックして、目的の位置に焦点を合わせます。
4. 調整が終わったら、[絞り有効] をクリックして、絞りを有効にします。

工場出荷時の設定にリセットする方法

重要

工場出荷時の設定へのリセットは慎重に行ってください。工場出荷時の設定へのリセットを行うと、IPアドレスを含むすべての設定が工場出荷時の値にリセットされます。

本製品を工場出荷時の設定にリセットするには、以下の手順を実行します。

1. 本製品の電源を切ります。
2. コントロールボタンを押し続けながら電源を再投入します。
3. ステータスLEDインジケーターが黄色に点滅するまで、コントロールボタンを15～30秒間押し続けます。
4. コントロールボタンを離します。プロセスが完了すると、ステータスLEDが緑色に変わります。これで本製品は工場出荷時の設定にリセットされました。ネットワーク上に利用可能なDHCPサーバーがない場合、デフォルトのIPアドレスは192.168.0.90になります。
5. インストール・管理ソフトウェアツールを使用して、IPアドレスの割り当て、パスワードの設定、ビデオストリームへのアクセスを行います。
*www.axis.com/support*のサポートページに、インストール・管理ソフトウェアツールが用意されています。

Webインターフェースを使用して、各種パラメーターを工場出荷時の設定に戻すこともできます。[Setup > System Options > Maintenance] (設定 > システムオプション > メンテナンス) を選択し、[Default] (デフォルト) をクリックします。

メンテナンス

注記

- 本製品を清掃する際は、石鹼水またはその他の多用途洗剤 (酸性、アルカリ性、中性)*を使用し、メーカーの指示に従ってください。
- 必要に応じて、本製品はホースを使用して清掃できます。スプレー状の水を左右に振りながら出してください。

* 研磨剤の入った洗剤は使用しないでください。

関連情報

- 本書の最新バージョンについては、www.axis.comにアクセスしてください。
- ユーザーズマニュアルは、www.axis.comで入手できます。
- ご使用の製品の新しいファームウェアがリリースされていないかを確認するには、www.axis.com/supportにアクセスしてください。
- 役に立つオンライントレーニングおよびWebセミナーをご用意しております。www.axis.com/academyをご覧ください。

オプションアクセサリ

- AXIS T8642取り付けキットA (カメラ内部へのPoE同軸変換アダプターの設置用)。151ページを参照してください。
- AXIS ドアスイッチA (侵入検知用)。152ページを参照してください。
- AXIS Q8414-LVS スモークドーム (5個)。153ページを参照してください。
- AXIS Q8414-LVS 赤外線ウィンドウB (マイク穴のない硬いウィンドウ。5個)。153ページを参照してください。
- I/O オーディオケーブル 5m

利用可能なアクセサリについては、www.axis.comを参照してください。

仕様

LEDインジケータ

注意

- ステータスLEDは、正常動作時に消灯させることができます。設定は、**[Setup > System Options > Ports & Devices > LED]** (設定 > システムオプション > ポートとデバイス > LED) で行います。詳細については、オンラインヘルプを参照してください。
- ステータスLEDは、イベントの発生時に点滅させることができます。
- ステータスLEDを点滅させ、本製品を識別できるように設定することができます。設定は、**[Setup > System Options > Maintenance]** (設定 > システムオプション > 保守) で行います。

ステータスLED	説明
緑	正常動作であれば緑色に点灯します。
黄	起動時に点灯し、設定の復元時には点滅します。
赤	ファームウェアのアップグレード失敗。

JA

ネットワークLED	説明
緑	100 Mbit/sネットワークに接続している場合、点灯します。ネットワークパケットを送受信した場合、点滅します。
黄	10 Mbit/sネットワークに接続している場合、点灯します。ネットワークパケットを送受信した場合、点滅します。
無点灯	ネットワーク接続なし。

電源LED	説明
緑	正常動作。
黄	ファームウェアアップグレード中は緑と黄の交互点滅。

SDカードスロット

注記

- SDカード損傷の危険があります。SDカードの挿入と取り外しの際には、鋭利な工具や金属性の物を使用したり、過剰な力をかけたりしないでください。カードの挿入や取り外しは指で行ってください。
- データ損失や録画データ破損の危険があります。本製品の稼働中はSDカードを取り外さないでください。取り外しの前に電源を切るか、製品のWebページからSDカードをマウント解除してください。

本製品は、SD/SDHC/SDXCカードに対応しています (別売)。

推奨するSDカードについては、www.axis.comを参照してください

コネクタ

ネットワークコネクタ

RJ45イーサネットコネクタ、Power over Ethernet (PoE) 対応。

注記

本製品は、シールドネットワークケーブル (STP) を使用して接続してください。本製品は、用途に合ったケーブルを使用してネットワークに接続してください。ネットワーク装置がメーカーの指示どおりに設置されていることを確認します。法的要件については、*Electromagnetic compatibility (EMC) on page 4*を参照してください。

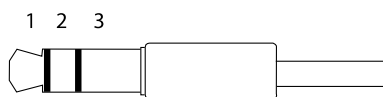
音声コネクタ

本製品は、以下の音声コネクタを搭載しています。

- 音声入力 (ピンク)** – モノラルマイクロフォンまたはライン入力モノラル信号用3.5 mm入力。
- 音声出力 (緑)** – 3.5 mm音声 (ラインレベル) 出力 (パブリックアドレス (PA) システムまたはアンプ内蔵アクティブスピーカーに接続可能)。音声出力には、ステレオコネクタを使用することをお勧めします。

音声入力には、ステレオ信号の左チャンネルが使用されます。

3.5 mm音声コネク
ター (ステレオ)



	1 チップ	2 リング	3 スリーブ
音声入力	マイクロフォン/ライン入力	マイクロフォンバイアス電圧	グラウンド
音声出力	ライン出力、モノラル	ライン出力、モノラル	グラウンド

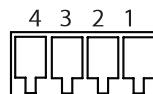
I/Oコネクタについて

I/Oコネクタに外部装置を接続し、いたずら警報、動体検知、イベントトリガー、アラーム通知などと組み合わせて使用することができます。I/Oコネクタは、0V DC基準点と電力(DC出力)に加えて、以下のインターフェースを提供します。

デジタル出力 - リレーやLEDなどの外部デバイスを接続します。接続されたデバイスは、VAPIX®アプリケーションプログラミングインターフェースまたは製品のWebページで有効にすることができます。

デジタル入力 - 開回路と閉回路の切り替えが可能なデバイス(PIRセンサー、ドア/窓の接触、ガラス破損検知器など)を接続するための入力です。

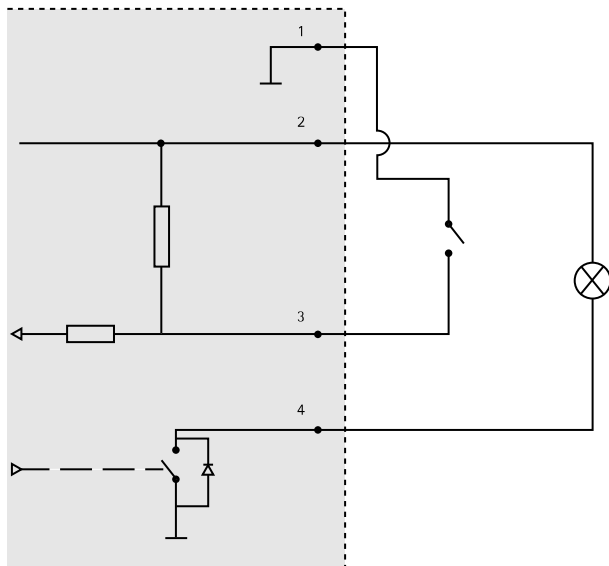
4ピンターミナルブロック



JA

機能	ピン	備考	仕様
0V DC (-)	1		0V DC
DC出力	2	補助装置の電源供給に使用できます。 注: このピンは、電源出力としてのみ使用できます。	3.3V DC 最大負荷 = 50 mA
デジタル入力	3	動作させるにはピン1に接続し、動作させない場合はフロート状態(未接続)のままにします。	0~40V DC (最大)
デジタル出力	4	動作させるにはピン1に接続し、動作させない場合はフロート状態(未接続)にします。誘導負荷(例: リレー)とともに使用する場合は、過渡電圧から保護するため、ダイオードを負荷と並列に接続する必要があります。	0~40V DC (最大)、 オープンドレイン、 100 mA

AXIS Q8414-LVS Network Camera



- 1 0 VDC (-)
- 2 DC出力3.3 V、最大50 mA
- 3 デジタル出力0~最大40 VDC
- 4 デジタル出力0~40 VDC (最大)、オープンドレイン、100 mA

動作条件

本製品は屋内用です。

製品	等級	温度	湿度
AXIS Q8414-LVS	NEMA 250タイプ4X、 IEC/EN 60529 IP66、 クラス4M4 IEC 60721-3-4	0 ° C ~ 50 ° C	10 ~ 100% RH (結露可)

消費電力

注記

定格出力が100 Wまたは5 A以下の有限電源 (LPS) を使用します。

AXIS Q8414-LVS Network Camera

製品	PoE
AXIS Q8414-LVS	Power over Ethernet IEEE 802.3af/802.3at Type 1 Class 2、最大6.2 W (制限付き赤外線)
	Power over Ethernet IEEE 802.3af/802.3at Type 1 Class 3、最大8.7 W (フル赤外線)

JA

安全情報

危険レベル

▲危険

回避しない場合、死亡または重傷につながる危険な状態を示します。

▲警告

回避しない場合、死亡または重傷につながるおそれのある危険な状態を示します。

▲注意

回避しない場合、軽傷または中程度の怪我につながるおそれのある危険な状態を示します。

注記

回避しない場合、器物の破損につながるおそれのある状態を示します。

その他のメッセージレベル

重要

製品を正しく機能させるために不可欠な重要情報を示します。

注意

製品を最大限に活用するために役立つ有用な情報を示します。

安全手順

注記

- 本製品は、お使いになる地域の法律や規制に準拠して使用してください。
- Axisは、シールドネットワークケーブル (STP) CAT5以上の使用を推奨します。
- 本製品は乾燥した換気のよい環境に保管してください。
- 本製品を不安定なポール、ブラケット、表面、または壁に設置しないでください。
- 本製品を設置する際には、適切な工具のみを使用してください。電動工具を使用して過剰な力をかけると、製品が損傷することがあります。
- 製品の技術仕様に準拠したアクセサリのみを使用してください。これらのアクセサリは、Axisまたはサードパーティから入手できます。Axisは、ご使用の製品と互換性のあるAxis給電ネットワークスイッチの使用を推奨します。
- Axisが提供または推奨する交換部品のみを使用してください。
- 製品を自分で修理しないでください。修理については、Axisサポートまたは販売代理店にお問い合わせください。

輸送

注記

- 本製品を運搬する際は、製品が損傷しないよう、元の梱包が同等の梱包を使用してください。

バッテリー

本製品は、内部リアルタイムクロック (RTC) 用電源として、3.0 V BR2032リチウムバッテリーを使用します。このバッテリーは、通常条件下で最低5年間使用できます。

バッテリーが低電力状態になると、RTCの動作に影響し、電源を入れるたびにRTCがリセットされます。バッテリーの交換が必要になると、製品のサーバーレポートにログメッセージが表示されます。サーバーレポートの詳細については、製品の設定ページを参照するか、Axisサポートまでお問い合わせください。

必要な場合以外はバッテリーを交換しないでください。バッテリーの交換が必要な場合は、Axisサポート www.axis.com/supportまでご連絡ください。

リチウムコイン型3.0V電池は、1,2-ジメトキシエタン (エチレングリコールジメチルエーテル (EGDME)、CAS番号110-71-4) を含有しています。

警告

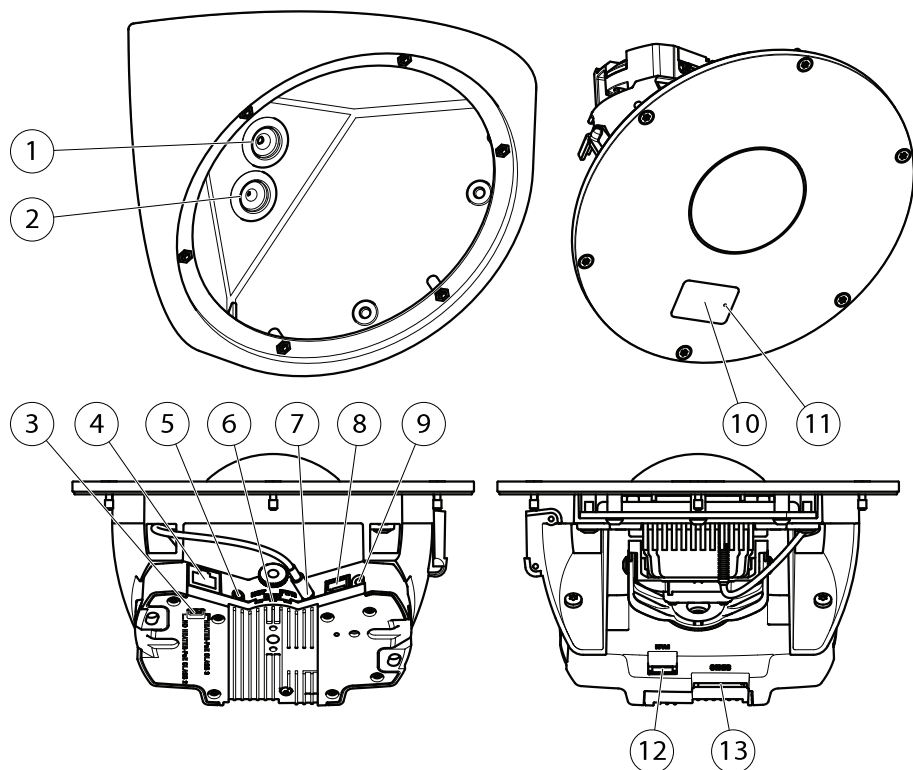
- バッテリーは、正しく交換しないと爆発する危険があります。

- 交換用バッテリーとしては、同一品またはAxisが推奨するバッテリーのみを使用してください。
- 使用済みバッテリーは、地域の規制またはバッテリーメーカーの指示に従って廃棄してください。

包装内容

- AXIS Q8414-LVS 网络摄像机
- 垫圈（用于安装螺丝）
- 安讯士连接器轮巡 A
- Torx® 头 TR20
- 4 针端子连接器
- 印刷资料
 - 安装指南（本文档）
 - AVHS 身份验证密钥

产品概述



- 1 线缆垫圈 (网线)
- 2 线缆垫圈 (I/O 线或音频线)
- 3 PoE 类选择器*
- 4 网络接口
- 5 音频输出接口
- 6 LED 指示灯
- 7 音频输入接口
- 8 I/O 接口
- 9 控制按钮
- 10 红外窗口
- 11 麦克风
- 12 未使用
- 13 SD 卡插槽

* 用于在 PoE 2 类（有限红外）和 PoE 3 类（完全红外）之间切换。参见第 190 页。

如何安装产品

安装硬件

注意

- 产品应当使用屏蔽网线 (STP) 进行连接。将产品连接至 POE 模块的线缆必须使用屏蔽 (STP) 以满足特定使用需求。确保 PoE 模块正确接地。有关监管要求的信息，请参见。
- 切勿刮伤或损坏球型罩或在球型罩上留下指纹，因为这样会降低图像质量。请尽可能将防护塑料保留在摄像机组件前面，直至安装完成。

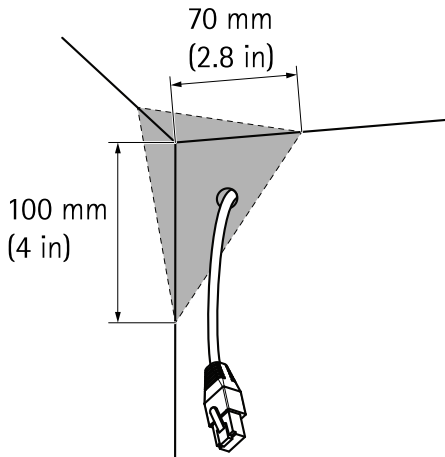
可将线缆穿过墙壁/天花板布置，以此安装该安讯士产品。

请在安装产品前阅读说明。有几项安装步骤要求移去摄像机组件，因此，建议同时完成这几项步骤。

- 标准或大容量 SD 卡（不含）可用于在产品中存储本地录像。如欲安装 SD 卡，请参见 [第177页](#)。
- 如欲在安装产品前进行布线，请参见 [第172页](#)。
- 如欲安装产品，请参见 [第173页](#)。

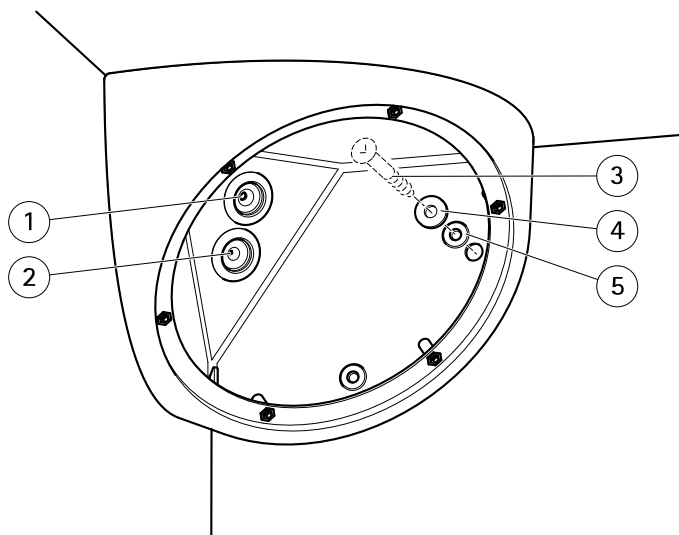
布线

1. 测量天花板和墙壁之间角落的三角形区域。
2. 将网线穿过墙壁的三角形区域（必要时还会布置 I/O 线和音频线）。



安装摄像机单元

1. 从底座顶部和侧面的孔中取出垫片。
2. 将底座定位在天花板和墙壁之间的角落。使用铅笔标记穿过顶部和侧面孔的螺丝的位置。

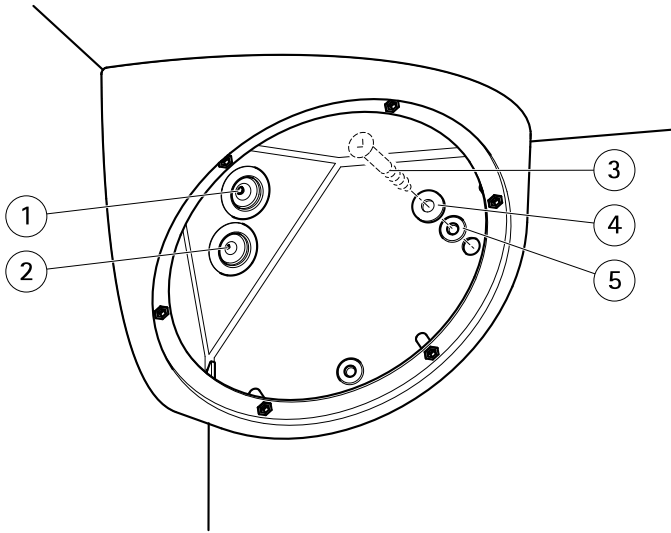


- 1 电缆垫片，网络
- 2 电缆垫片，I/O
- 3 螺丝（不包括）
- 4 垫圈
- 5 垫片

3. 在天花板和墙壁中为螺丝钻孔。
4. 将垫片插回其孔中。垫片应紧密贴合，不要折叠或弯曲。
5. 从后面的孔中取出网络电缆垫片，然后将网络电缆穿过该孔。
6. 如果适用：从后面的孔中取出 I/O 电缆垫片，然后将 I/O 电缆穿过该孔。
7. 拉动电缆垫片上的卡舌以将其打开。
8. 将安讯士接口防护装置 A 安装在 RJ45 网络连接器顶部。沿着电缆拖动网络电缆垫片，然后将网络电缆垫片插入其孔中。垫片应紧密贴合，不要折叠或弯曲。
9. 将安讯士接口防护装置 A 从 RJ45 网络接口顶部取出。
10. 如果适用：将 I/O 电缆穿过 I/O 电缆垫片，然后将 I/O 连接器连接到电缆。将 I/O 电缆垫片插回其孔中。垫片应紧密贴合，不要折叠或弯曲。

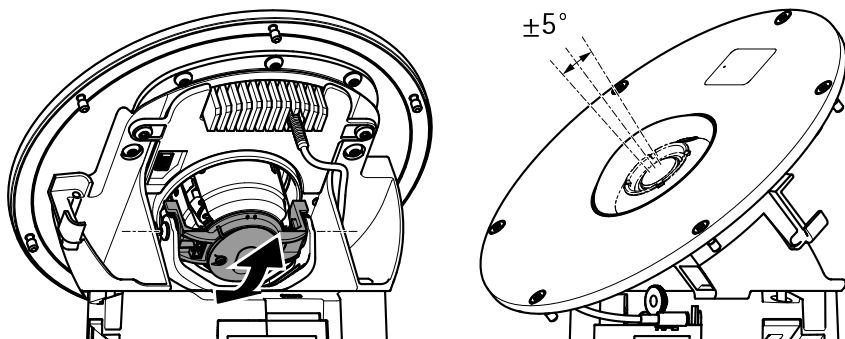
AXIS Q8414-LVS Network Camera

11. 使用适合墙壁和天花板材料的螺丝将底座安装到墙壁上的角落。螺丝应穿过垫圈和垫片，以确保 IP66 密封。

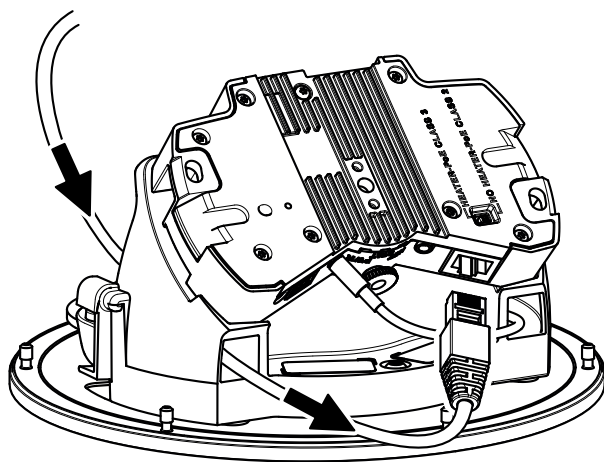


- 1 电缆垫片, 网络
- 2 电缆垫片, I/O
- 3 螺丝 (不包括)
- 4 垫圈
- 5 垫片

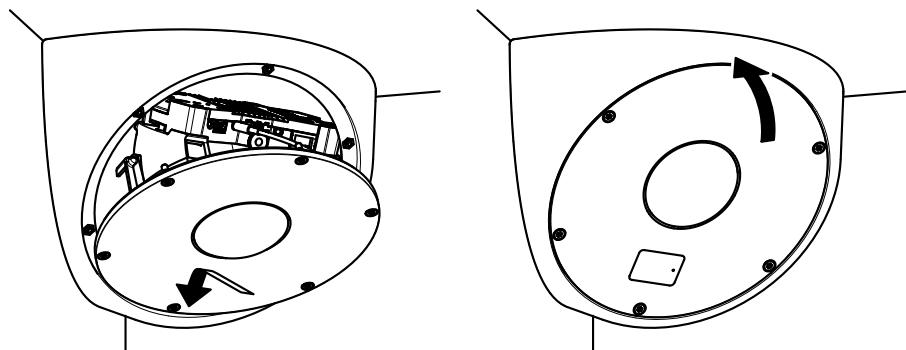
12. 为了实现良好的密封, 请执行以下操作: 沿底座侧面涂上一条柔性填隙料/胶泥密封剂。确保底座与天花板/墙壁之间的间隙均已填满。
13. 如果适用: 将 SD 卡 (不包括) 插入摄像机总成上的 SD 卡插槽。
14. 如果适用: 请参见安装 *AXIS T8642 安装套件 A (单独销售)* 在第178页。
15. 如果适用: 请参见安装用于入侵侦测的 *AXIS 门开关 A (单独销售)* 在第179页。
16. 如果适用: 请参见安装 *AXIS Q8414-LVS 烟雾型球型 (单独销售)* 在第180页。
17. 如果适用: 请参见安装 *AXIS Q8414-LVS 红外窗口 B (单独销售)* 在第180页。
18. 如有必要: 手动调整镜头的角度, 以适应监视区域的尺寸和形状。关于垂直转动位置, 请参见 *设置视野* 在第176页。



19. 将网络电缆沿电缆通道穿引至摄像机总成背面，然后将网络电缆插入网络接口。



20. 如果适用：将 I/O 电缆沿电缆通道穿引至摄像机总成背面，然后将 I/O 电缆插入 I/O 连接器。
21. 握住摄像机总成以使前面的 IR 窗口处于六点钟位置，并将摄像机总成的底部对准底座开口位置。



22. 将摄像机总成顶部向上折叠，直到将摄像机总成按压到底座开口处的整个边缘。

重要

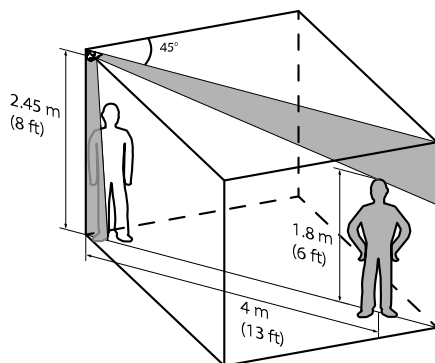
调节电缆松弛度，确保摄像机总成侧面与底座之间的部分不会受到挤压。

23. 使用螺丝（扭矩 2.5 Nm）将摄像机总成安装到底座上。

24. 揭下摄像机总成前面的保护膜。

设置视野

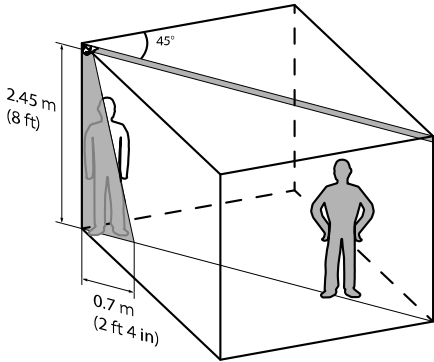
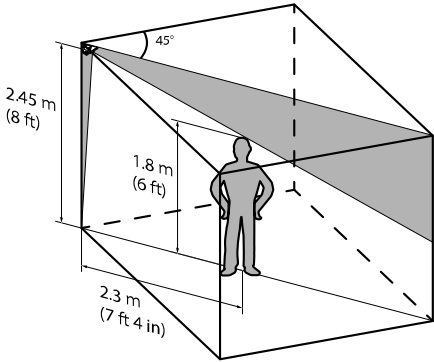
垂直转动镜头，获得可覆盖监控区域最大范围的优异视野。



镜头的最大垂直转动位置

该镜头最佳视野的垂直转动位置位于最大垂直转动位置内。

镜头的最大垂直转动位置 (待续)

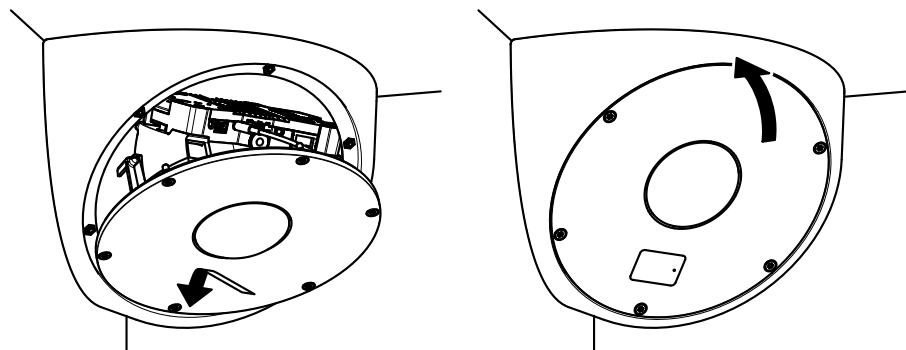
<p>向上垂直转动</p>	
<p>向下垂直转动</p>	

ZH

安装 SD 卡

可以选择安装标准或大容量 SD 卡（不包括），该卡可用于可移动存储的本地录制。

1. 松开前面的螺丝，然后取下摄像机总成。
2. 将 SD 卡（不包括）插入 SD 卡插槽。
3. 握住摄像机总成以使前面的 IR 窗口处于六点钟位置，并将摄像机总成的底部对准底座开口位置。



4. 将摄像机总成顶部向上折叠，直到将摄像机总成按压到底座开口处的整个边缘。

重要

调节电缆松弛度，确保摄像机总成侧面与底座之间的部分不会受到挤压。

5. 使用螺丝（扭矩 2.5 Nm）将摄像机总成安装到底座上。

注意

为了防止录制内容损坏，应在弹出 SD 卡之前先将其卸载。要进行卸载，请转到 **Setup > System Options > Storage > SD Card**（**设置 > 系统选项 > 存储 > SD 卡**），然后单击 **Unmount**（**卸载**）。

安装 AXIS T8642 安装套件 A（单独销售）

附件中所包含的设备可用于安装同轴转以太网适配器（不含），从而帮助摄像机安装人员在升级模拟系统为数字系统时，依然使用传统的同轴布线。

1. 将成角度的 BNC 接口连接至 AXIS T8642 设备。
2. 将网线插入 AXIS T8642 设备上的网络接口。
3. 将网线另一端穿过线缆隧道至摄像机组件后部，并将网线插入网络接口。
4. 将线缆带穿过线缆隧道，并将 AXIS T8642 设备安装在摄像机组件上。

AXIS Q8414-LVS Network Camera

3. 将 I/O 线穿过线缆隧道至摄像机组件后部。
4. 剪掉 I/O 线的多余之处，并将 I/O 连接器安装于 I/O 线。
5. 将 I/O 连接器插入 I/O 接口。

安装 AXIS Q8414-LVS 烟雾型球型（单独销售）

1. 将摄像机组件的前面向下放置在凸起表面上，并确保球型玻璃不会碰到来自该位置的物体。
2. 松开将摄像机夹具连接至摄像机组件后部的黑色螺钉 (T20)。
3. 将麦克风线缆从摄像机中拔出，拉动麦克风线缆另一端通过摄像机夹具，并从摄像机组件中取出麦克风线缆。
4. 从摄像机组件的后部取出摄像机夹具。
5. 使用烟雾型玻璃球型替换前开口中的透明玻璃球型。
6. 将麦克风线缆插入红外光窗口，并拖动麦克风线缆的另一端穿过摄像机夹具。
7. 将摄像机夹具置于摄像机组件后部的原始位置。

重要

确保红外光窗口位于其隔间内，以及麦克风线缆保持插入红外光窗口内。

8. 拖动麦克风线缆穿过线缆隧道，并将麦克风线缆连接至摄像机。
9. 拧紧黑色螺钉 (T20，扭矩 2.5 纳米)，将摄像机夹具安装至摄像机组件。

安装 AXIS Q8414-LVS 红外窗口 B（单独销售）

该附件套件适合不需要音频设备的安装环境。红外光窗口未配有麦克风孔。

1. 将摄像机组件的前面向下放置在凸起表面上，并确保球型玻璃不会碰到来自该位置的物体。
2. 松开将摄像机夹具连接至摄像机组件后部的黑色螺钉 (T20)。
3. 将麦克风线缆从摄像机中拔出，拉动麦克风线缆另一端通过摄像机夹具，并从摄像机组件中取出麦克风线缆。
4. 从摄像机组件的后部取出摄像机夹具。
5. 使用套件中的红外光窗口替换前开口中的红外光窗口。
6. 将摄像机夹具置于摄像机组件后部的原始位置。

重要

确保红外光窗口位于其隔间内。

7. 拧紧黑色螺钉 (T20，扭矩 2.5 纳米)，将摄像机夹具安装至摄像机组件。

如何访问产品

AXIS IP Utility 和 AXIS Camera Management 是用于在网络上查找安讯士产品以及在 Windows® 中为其分配 IP 地址的建议方法。这两种应用程序都是免费的，可以从 www.axis.com/support 上进行下载

该产品可与大多数操作系统和浏览器兼容。我们建议使用以下浏览器：

- Internet Explorer®, 用于 Windows®
- Safari®, 用于 OS X®
- Chrome™ 或 Firefox®, 用于其他操作系统。

有关使用产品的更多信息，请参阅 www.axis.com 上提供的用户手册。

设置对焦和变焦

仅在安装和重新安装产品时配置对焦和变焦。

1. 转至**设置 > 视频和音频**。
2. 在对焦页面，转至**基础**选项卡。
3. 使用滑块设置**变焦**级别。

备注

在执行自动对焦时，应避免摄像机前面出现移动。

4. 单击**执行自动对焦**。
5. 如结果不能令人满意，请转至**高级**选项卡。

备注

更改变焦级别会移动对焦位置。务必在更改变焦后调整对焦。

在**高级**选项卡上，可手动调整对焦：

1. 单击**打开光圈**，将光圈打开至最大位置。这样可实现最小的景深并提供良好的对焦条件。
2. 在**对焦窗口**中设置对焦。使用鼠标移动对焦窗口并调整其大小。
3. 单击**对焦位置**栏，聚焦于所需的位置。
4. 当满意时，单击**启用光圈**启用光圈。

如何重置为出厂默认设置

重要

重置为出厂默认值时应谨慎。重置为出厂默认值会将所有设置（包括 IP 地址）重置为出厂默认值。

将产品重置为出厂默认设置：

1. 断开产品电源。
2. 按住控制按钮并重新连接电源。
3. 按住控制按钮 15–30 秒，直到状态 LED 指示灯呈淡黄色闪烁。
4. 释放控制按钮。当状态 LED 指示灯变绿时，此过程完成。产品已重置为出厂默认设置。如果网络上没有可用的 DHCP 服务器，则默认 IP 地址为 192.168.0.90
5. 使用安装和管理软件工具分配 IP 地址、设置密码和访问视频流。

安装和管理软件工具可从 www.axis.com/support 上的支持页面获取。

也可通过网页界面将参数重置为出厂默认值。转到 **Setup > System Options > Maintenance (设置 > 系统选项 > 维护)**，然后单击 **Default (默认)**。

维护

注意

- 清洁该安讯士产品，请使用肥皂水或其他多用途清洁剂（酸性、碱性、中性）*，并遵循制造商提供的说明。
- 若需要，可使用软水管对该安讯士产品进行清洁。侧向移动喷雾器。

* 切勿使用磨蚀性清洁产品。

更多信息

- 有关本文档的最新版本，请参见 www.axis.com
- 用户手册可从 www.axis.com 获取
- 要检查是否有产品的可用更新固件，请参见 www.axis.com/support
- 如需有用的在线培训和在线研讨会，请参见 www.axis.com/academy

可选附件

- AXIS T8642 安装套件 A（用于在摄像机内安装同轴电缆 PoE 以太网适配器）。参见第178页。
- AXIS 门开关 A（用于入侵侦测）。参见第179页。
- AXIS Q8414-LVS 烟雾型球型（5个）。参见第180页。
- AXIS Q8414-LVS 红外窗口 B（实心窗口，无麦克风孔，5个）。参见第180页。
- I/O 音频线缆，5米（16英尺）

如欲了解有关可用附件的信息，请访问 www.axis.com

规格

LED 指示灯

备注

- 状态 LED 可配置为在正常工作期间熄灭。要进行配置，请转到 Setup > System Options > Ports & Devices > LED (设置 > 系统选项 > 端口和设备 > LED)。有关详细信息，请参见联机帮助。
- 状态 LED 可配置为在激活事件时闪烁。
- 状态 LED 可配置为在识别装置时闪烁。转到 Setup > System Options > Maintenance (设置 > 系统选项 > 维护)。

状态 LED	指示
绿色	稳定绿色表示正常工作。
淡黄色	在启动期间稳定。在恢复设置时闪烁。
红色	固件升级失败。

网络 LED	指示
绿色	稳定表示连接到 100 Mbit/s 网络。闪烁表示网络活动。
淡黄色	稳定表示连接到 10 Mbit/s 网络。闪烁表示网络活动。
熄灭	没有网络连接。

ZH

电源 LED	指示
绿色	正常工作。
淡黄色	在固件升级过程中呈绿色/淡黄色闪烁。

SD 卡插槽

注意

- 损坏 SD 卡的风险。插入或取出 SD 卡时，请勿使用锋利的工具、金属物体或过大力气。使用手指插入和取出该卡。
- 数据丢失和录制内容损坏的风险。产品正在运行时，请勿取出 SD 卡。在移除之前，请断开电源或从产品的网页卸载 SD 卡。

本产品支持 SD/SDHC/SDXC 卡（不包括）。

有关 SD 卡的建议，请参见 www.axis.com

接口

网络连接器

采用以太网供电 (PoE) 的 RJ45 以太网连接器。

注意

该产品应使用屏蔽网络电缆 (STP) 进行连接。将产品连接到网络的电缆应专用于其特定用途。确保根据制造商的说明安装网络设备。有关法规要求的信息，请参见 *Electromagnetic compatibility (EMC) on page 4*。

音频连接器

安讯士产品具有以下音频连接器：

- **音频输入 (粉色)** – 3.5 毫米输入，用于单声道麦克风或线路输入单声道信号。
- **音频输出 (绿色)** – 用于音频 (线路级) 的 3.5 毫米输出，可连接到公共地址 (PA) 系统或带有内置放大器的有源扬声器。建议将立体声连接器用于音频输出。

对于音频输入，左声道用于立体声信号。

3.5 毫米音频连接器
(立体声)



	1 尖部	2 中间环	3 尾段
音频输入	麦克风/线路输入	麦克风偏置电压	接地
音频输出	线路输出，单声道	线路输出，单声道	接地

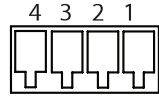
关于 I/O 连接器

将 I/O 连接器用于外部设备，例如与主动防破坏报警、运动侦测、事件触发和警报通知结合使用。除了 0 V DC 参考点和电源 (DC 输出) 以外，I/O 连接器还提供了以下接口：

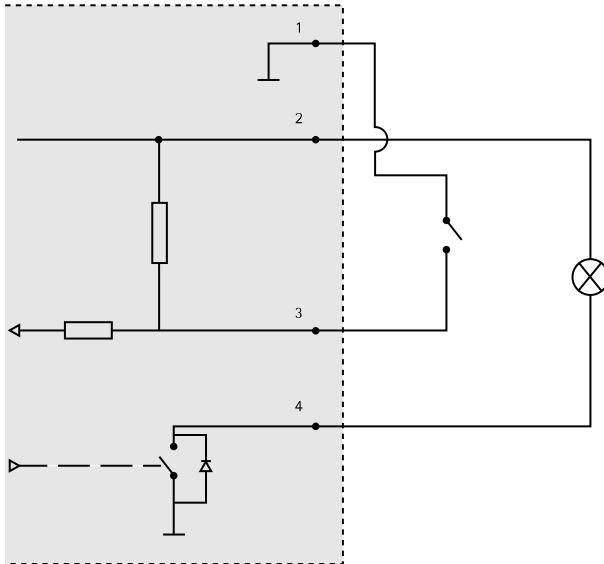
数字输出 – 用于连接继电器和 LED 等外部设备。已连接的设备可通过 VAPIX® 应用程序编程接口或在产品网页上进行激活。

数字输入 – 用于连接可在开路和闭路之间切换的设备，例如 PIR 传感器、门/窗传感器和玻璃破碎探测器。

4 针接线端子



功能	针	备注	规格
0 V DC (-)	1		0 V DC
DC 输出	2	可用于为辅助设备供电。 注意：此针只能用作电源输出。	3.3 V DC 最大负载 = 50 mA
数字输入	3	连接到针 1 以启用，或保留浮动状态（断开连接）以停用	0 至最大 40 V DC
数字输出	4	启用时连接到针 1，停用保留浮动状态（断开连接）。如果与电感负载（如继电器）一起使用，二极管必须与负载并联连接，以防止电压瞬变。	0 至最大 40 V DC，开漏，100 mA



- 1 0 V DC (-)
- 2 DC 输出 3.3 V，最大 50 mA
- 3 数字输入 0 至最大 40 V DC
- 4 数字输出 0 至最大 40 V DC，开漏，100 mA

AXIS Q8414-LVS Network Camera

工作条件

安讯士产品用于在室内使用。

产品	分类	温度	湿度
AXIS Q8414-LVS	NEMA 250 Type 4X, IEC/EN 60529 IP66, Class 4M4 IEC 60721-3-4	0 ° C 至 50 ° C (32 ° F 至 122 ° F)	10-100% 相对湿度 (冷凝)

功耗

注意

使用额定输出功率 (LPS) 限制为 100 W 或额定输出电流限制为 5 A 的有限电源 (LPS)。

产品	PoE
AXIS Q8414-LVS	以太网供电，符合 IEEE 802.3af/802.3at 1 型 2 类标准，最大功率 6.2 W (有限红外)
	以太网供电，符合 IEEE 802.3af/802.3at 1 型 3 类标准，最大功率 8.7 W (完全红外)

安全信息

危险等级

▲危险

表示如果不避免则会导致死亡或严重伤害的危险情况。

▲警告

表示如果不避免则可能导致死亡或严重伤害的危险情况。

▲小心

表示如果不避免则可能导致轻微或中度伤害的危险情况。

注意

表示如果不避免则可能导致财产损失的情况。

其他消息等级

重要

表示产品正常工作所必需的重要信息。

备注

表示有助于充分利用产品的有用信息。

安全说明

注意

- 使用安讯士产品时应遵守当地法律和法规。
- 安讯士推荐使用屏蔽网络电缆 (STP) CAT5 或更高版本。
- 在干燥通风的环境中存放安讯士产品。
- 请勿将本产品安装在不稳定的立杆、支架、表面或墙壁上。
- 安装安讯士产品时，仅使用适用的工具。使用电动工具过度施力可能导致产品损坏。
- 仅使用符合产品技术规格的附件。这些附件可由安讯士或第三方提供。安讯士推荐使用与产品兼容的安讯士电源设备。
- 仅使用安讯士提供或推荐的备件。
- 请勿尝试自行维修产品。有关服务事项，请联系安讯士支持部门或安讯士经销商。

运输

注意

- 安讯士产品运输途中，应使用其原包装或等效包装，以防对产品造成损坏。

电池

安讯士产品使用 3.0 V BR2032 锂电池作为其内部实时时钟 (RTC) 的电源。在正常情况下，此电池将持续至少五年。

低电池电量会影响 RTC 的工作，从而导致其在每次通电时重置。当电池需要更换时，产品的服务器报告中将显示一条日志消息。有关服务报告的更多信息，请参见产品的设置页面或与安讯士支持部门联系。

除非必要，否则不应更换电池，但如果确实需要更换电池，请通过 www.axis.com/support 与安讯士支持部门联系以获取帮助。

3.0 V 纽扣锂电池包含 1,2-二甲氧基乙烷 (EGDME)，CAS 编码为 110-71-4。

警告

- 如果未正确更换电池，则存在爆炸危险。
- 仅可使用相同电池或安讯士推荐的电池进行更换。
- 根据当地法规或电池制造商的说明处理废电池。

Installation Guide

AXIS Q8414-LVS Network Camera

© 2014 - 2021 Axis Communications AB

Ver. M6.2

Date: May 2021

Part No. 1732413