

AXIS C1310-E Mk II Network Horn Speaker

Outdoor speaker for clear long-range speech

AXIS C1310-E Mk II Network Horn Speaker is perfect for outdoor environments in most climates. It allows users to remotely prevent unwanted activities, to deliver instructions during an emergency or to make general voice messages. Built-in memory supports pre-recorded messages, or security personal can respond to notifications with live speak. Open standards support easy integration with network video, access control, analytics, and VoIP (supporting SIP). Digital signal processing (DSP) ensures clear sound. The built-in microphone enables remote health testing and 2-way communication. Furthermore, the embedded audio management software supports user, content, zone, and scheduling management.

- > **All-in-one speaker system**
- > **Connects to standard network**
- > **Simple installation with PoE**
- > **Remote health testing**
- > **Scalable and easy to integrate**



AXIS C1310-E Mk II Network Horn Speaker

Audio hardware

Enclosure

Re-entrant horn loudspeaker with compression driver

Max sound pressure level

>121 dB

Frequency response

280 Hz - 12.5 kHz

Coverage pattern

70° horizontal by 100° vertical (at 2 kHz)

Input/output

Built-in microphone (can be disabled mechanically)
Built-in speaker

Built-in microphone specification

50 Hz - 12 kHz

Amplifier description

Built-in 7 W Class D amplifier

Digital signal processing

Built-in and pre-configured

Audio management

AXIS Audio Manager Edge

Built in:

- Zone management allowing you to divide up to 200 speakers into 20 zones.
- Content management for music and live/pre-recorded announcements.
- Scheduling to decide when and where to play content.
- Content prioritization to ensure urgent messages interrupt the schedule.
- Health monitoring for remote discovery of system errors.
- User management to control who has access to what features.

For more details, see the datasheet on axis.com/products/axis-audio-manager-edge/support

AXIS Audio Manager Pro

For larger and more advanced systems. Sold separately. For specifications, see the datasheet on axis.com/products/axis-audio-manager-pro/support

AXIS Audio Manager Center

AXIS Audio Manager Center is a cloud service for remote access and management of multi-site systems. For specifications, see the datasheet on axis.com/products/axis-audio-manager-center/support

Audio software

Streaming

One-way/two-way with optional half-duplex echo cancellation. Mono.

Encoding

AAC LC 8/16/32/48 kHz, G.711 PCM 8 kHz, G.726 ADPCM 8 kHz, Axis μ -law 16 kHz, WAV, MP3 in mono/stereo from 64 kbps to 320 kbps. Constant and variable bit rate. Sampling rate from 8 kHz up to 48 kHz.

System integration

Application Programming Interface

Open API for software integration, including VAPIX®, One-click cloud connection, AXIS Camera Application Platform (ACAP).

Video management systems

Compatible with AXIS Camera Station Edge, AXIS Camera Station Pro, AXIS Camera Station 5, and video management software from Axis' partners available at axis.com/vms.

Mass notification

Singlewire InformaCast®, Intrado Revolution, Lynx, Alertus

Unified communication

Verified compatibility:

SIP clients: 2N, Yealink, Cisco, Linphone, Grandstream
PBX/SIP servers: Cisco Call Manager, Cisco BroadWorks, Avaya, Asterix, Grandstream
Cloud service providers: Webex, Zoom

SIP

Supported SIP features: Secondary SIP server, IPv6, SRTP, SIPS, SIP TLS, DTMF (RFC2976 and RFC2833), NAT (ICE, STUN, TURN)
RFC 3261: INVITE, CANCEL, BYE, REGISTER, OPTIONS, INFO
DTMF (RFC 4733/RFC 2833)

Event conditions

Audio: audio clip playing, speaker test result
Call: state, state change
Device status: IP address blocked/removed, live stream active, network lost, new IP address, system ready
Edge storage: recording ongoing, storage disruption, storage health issues detected
I/O: digital input, manual trigger, virtual input
MQTT: subscribe
Scheduled and recurring: schedule

Event actions

Audio: run automatic speaker test
Audio clips: play, stop
I/O: toggle I/O
Light and siren: run, stop
MQTT: publish
Notification: HTTP, HTTPS, TCP and email
Recordings: record audio
SNMP trap messages: send message
Status LED: flash

Built-in installation aids

Test tone verification and identification

Functional monitoring

Auto Speaker Test (verification via built-in microphone)

Analytics

Applications

Included

AXIS Audio Analytics

Supported

Support for AXIS Camera Application Platform enabling installation of third-party applications, see axis.com/acap

AXIS Audio Analytics

Features: adaptive audio detection

Audio classes: scream, shout, glass break, speech

Event metadata: audio detections, classifications

Approvals

Product markings

CSA, UL/cUL, UKCA, CE, KC, EAC, VCCI, RCM, BSMI

Supply chain

TAA compliant

EMC

EN 55035, EN 55032 Class B, EN 50121-4, EN 61000-6-1, EN 61000-6-2
Australia/New Zealand: RCM AS/NZS CISPR 32 Class B
Canada: ICES-3(B)/NMB-3(B)
Japan: VCCI Class B
Korea: KS C 9835, KS C 9832 Class B
USA: FCC Part 15 Subpart B Class B
Railway: IEC 62236-4

Safety

CAN/CSA C22.2 No. 62368-1 ed. 3,
IEC/EN/UL 62368-1 ed. 3

Environment

IEC 60068-2-1, IEC 60068-2-2, IEC 60068-2-6, IEC 60068-2-14, IEC 60068-2-27, IEC 60068-2-78, IEC/EN 60529 IP66, NEMA 250 Type 4X, MIL-STD-810G 509.5, MIL-STD-810H 509.7

Cybersecurity

ETSI EN 303 645, BSI IT Security Label, FIPS-140

Network

Network protocols

IPv4/v6¹, HTTP, HTTPS², SSL/TLS², QoS Layer 3 DiffServ, FTP, SFTP, CIFS/SMB, SMTP, Bonjour, UPnP™, SNMP v1/v2c/v3 (MIB-II), DNS, DynDNS, NTP, PTP, RTSP, RTP, TCP, UDP, IGMPv1/v2/v3, RTCP, ICMP, DHCP, ARP, LLDP, CDP, SOCKS, SSH, NTCIP, SIP

Cybersecurity

Edge security

Software: Signed OS, brute force delay protection, digest authentication, password protection, Axis Cryptographic Module (FIPS 140-2 level 1)

Hardware: Axis Edge Vault cybersecurity platform Secure element (CC EAL 6+), Axis device ID, secure keystore, secure boot

1. Audio synchronization with IPv4 only.

2. This product includes software developed by the OpenSSL Project for use in the OpenSSL Toolkit. (openssl.org), and cryptographic software written by Eric Young (eay@cryptsoft.com).

Network security

IEEE 802.1X (EAP-TLS)³,
IEEE 802.1AE (MACsec PSK/EAP-TLS), IEEE 802.1AR,
HTTPS/HSTS³, TLS v1.2/v1.3³, Network Time Security
(NTS), X.509 Certificate PKI, host-based firewall

Documentation

AXIS OS Hardening Guide

Axis Vulnerability Management Policy

Axis Security Development Model

AXIS OS Software Bill of Material (SBOM)

To download documents, go to axis.com/support/cybersecurity/resources

To read more about Axis cybersecurity support, go to axis.com/cybersecurity

System on chip (SoC)

Model

NXP i.MX 8M Nano

Memory

1024 MB RAM, 1024 MB Flash

General

Casing

IP66- and NEMA 4X-rated

Aluminum back can and stainless steel bracket

Color: white RAL 9010

Power

Power over Ethernet (PoE) IEEE 802.3af/802.3at Type 1
Class 3

Typical 2 W, max 12.95 W

Connectors

Network: RJ45 10BASE-T/100BASE-TX PoE

I/O: 4-pin 2.5 mm terminal block for 2x supervised
configurable I/Os

LED indicators

Status LED, front-facing LED

Reliability

Designed for 24/7 operation.

Operating conditions

Temperature: -40 °C to 60 °C (-40 °F to 140 °F)

Humidity: 10-100% RH (condensing)

Storage conditions

Temperature: -40 °C to 65 °C (-40 °F to 149 °F)

Humidity: 5-95% RH (non-condensing)

Dimensions

For the overall product dimensions, see the dimension
drawing in this datasheet.

Weight

1.3 kg (2.9 lb.)

Box content

Horn speaker, installation guide, terminal block
connector, connector guard, cable gasket, ring terminal,
owner authentication key

Optional accessories

AXIS T91B47 Pole Mount, AXIS T91F67 Pole Mount,
Cable Gland M20x1.5, RJ45, Cable Gland A M20,
AXIS Power over Ethernet Midspans, T94R01B Corner
Bracket, T94P01B Corner Bracket, T94S01P Conduit
Back Box

For more accessories, go to axis.com/products/axis-c1310-e-mk-ii#accessories

Languages

English, German, French, Spanish, Italian, Russian,
Simplified Chinese, Japanese, Korean, Portuguese,
Polish, Traditional Chinese, Dutch, Czech, Swedish,
Finnish, Turkish, Thai, Vietnamese

Warranty

5-year warranty, see axis.com/warranty

Part numbers

Available at axis.com/products/axis-c1310-e-mk-ii#part-numbers

Sustainability

Substance control

PVC free in accordance with JEDEC/ECA Standard JS709
RoHS in accordance with EU RoHS Directive 2011/65/
EU/ and EN 63000:2018

REACH in accordance with (EC) No 1907/2006. For SCIP
UUID, see echa.europa.eu

Materials

Screened for conflict minerals in accordance with OECD
guidelines

To read more about sustainability at Axis, go to axis.com/about-axis/sustainability

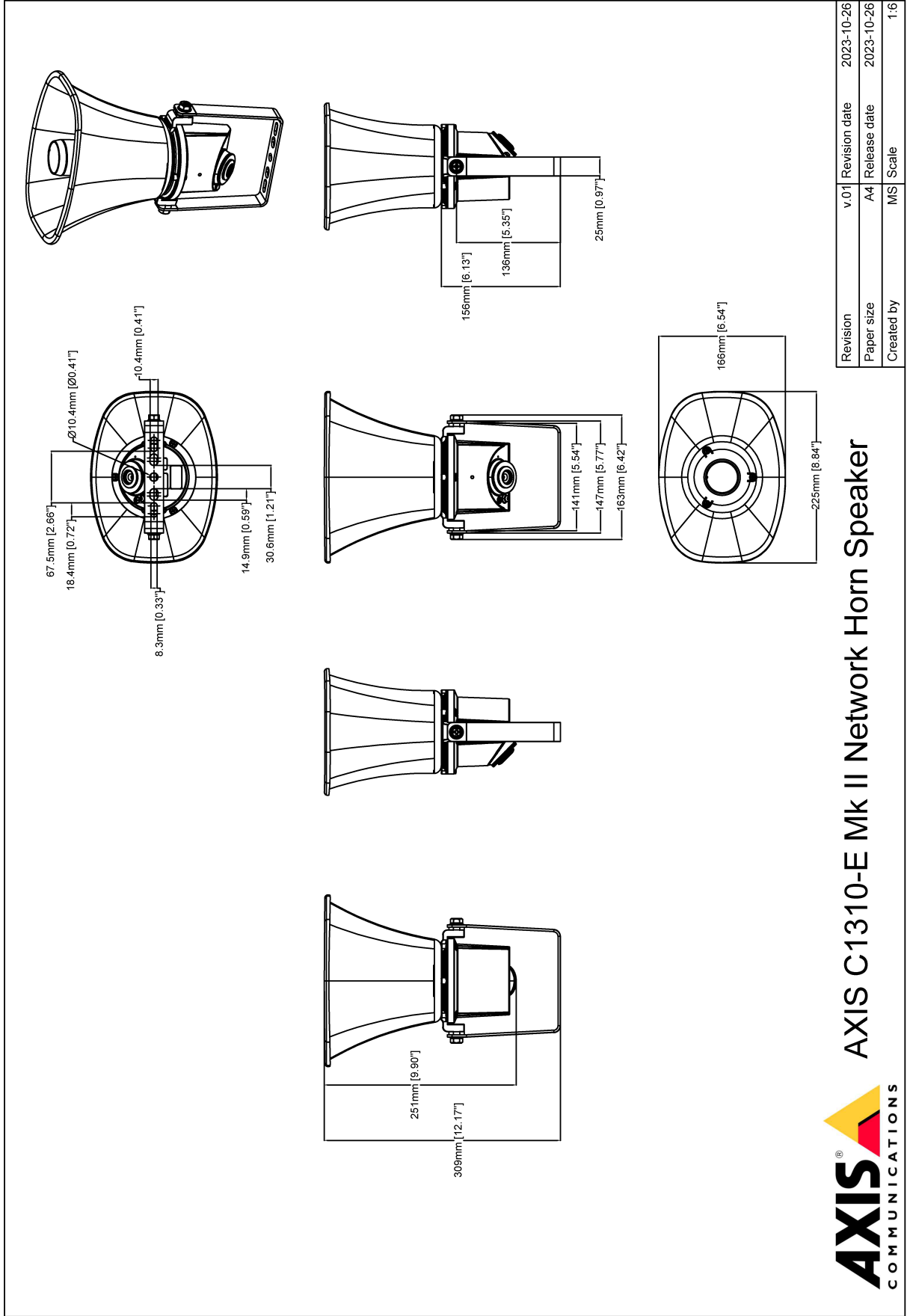
3. This product includes software developed by the OpenSSL Project for use in the OpenSSL Toolkit. (openssl.org), and cryptographic software written by Eric Young (ey@cryptsoft.com).

Environmental responsibility

axis.com/environmental-responsibility

Axis Communications is a signatory of the UN Global Compact, read more at unglobalcompact.org

Dimension drawing



AXIS C1310-E Mk II Network Horn Speaker

Highlighted capabilities

Axis Edge Vault

Axis Edge Vault is the hardware-based cybersecurity platform that safeguards the Axis device. It forms the foundation that all secure operations depend on and offer features to protect the device's identity, safeguard its integrity and protect sensitive information from unauthorized access. For instance, **secure boot** ensures that a device can boot only with **signed OS**, which prevents physical supply chain tampering. With signed OS, the device is also able to validate new device software before accepting to install it. And the **secure keystore** is the critical building-block for protecting cryptographic information used for secure communication (IEEE 802.1X, HTTPS, Axis device ID, access control keys etc.) against malicious extraction in the event of a security breach. The secure keystore and secure connections are provided through a Common Criteria or FIPS 140 certified hardware-based cryptographic computing module.

To read more about Axis Edge Vault, go to axis.com/solutions/edge-vault.

For more information, see axis.com/glossary