

AXIS Q1910

AXIS Q1910-E

AXIS Q1921

AXIS Q1921-E

가

AS/NZS CISPR22:2002

- B :가 EMC

H.264

(1) 가

EN 60950-1 (IEC

60950-1)

Apple, Boa, Bonjour, Ethernet, Internet Explorer,
Linux, Microsoft, Mozilla, Netscape Navigator, OS/2,
Real, SMPTE, QuickTime, UNIX, Windows, WWW

. Java Java
가 Sun

가

Microsystems, Inc.

Axis Communications AB Sun Microsystems Inc.

. UPnP™ UPnP™

Implementers Corporation

EMC()

RF()

. Axis Communications AB

. Axis Communications AB

TV

. Axis

1~2

Communications AB

/TV

STP

. EMC

RoHS()

RoHS 2002/95/EC

RoHS ACPEIP



- FCC

15 B

B

WEEE

EU

WEEE

(

2002/96/EC

EU 가



가

WEEE (

가

)

가

- B

ICES-003

EN55022 B

EN55024

(VCCI)

B



!

-
-
-
-
-
-
-
-

CD

www.axis.com, www.axis.co.kr

가)

(

가

가

가

가

가

가



!

-
-
-
-

AXIS Q1910/AXIS Q1921

AXIS Q1910-E/AXIS Q1921-E

www.axis.com, www.axis.co.kr

가

가/

(RTC)

5

3.0V CR2032

RTC

가

가

!

가

www.axis.com/techsup

-
-
-

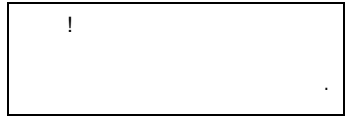
가

AXIS Q1910-E & AXIS Q1921-E

AXIS Q1910/-E/AXIS Q1921/-E

CD www.axis.com, www.axis.co.kr

- 1.
2. . 6
3.
 - AXIS Q1910/AXIS Q1921 . 8
 - AXIS Q1910-E/AXIS Q1921-E . 8
 - . 10
4. IP . 11
5. . 14

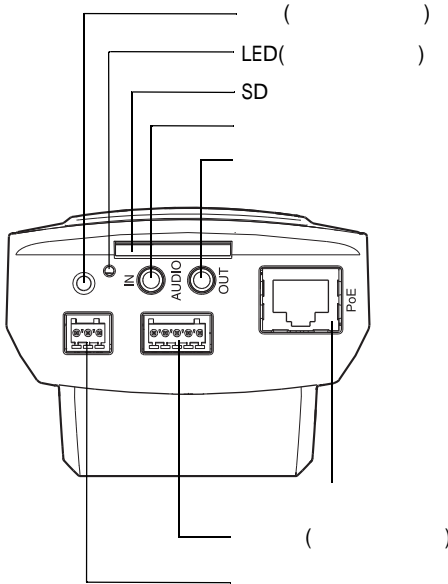
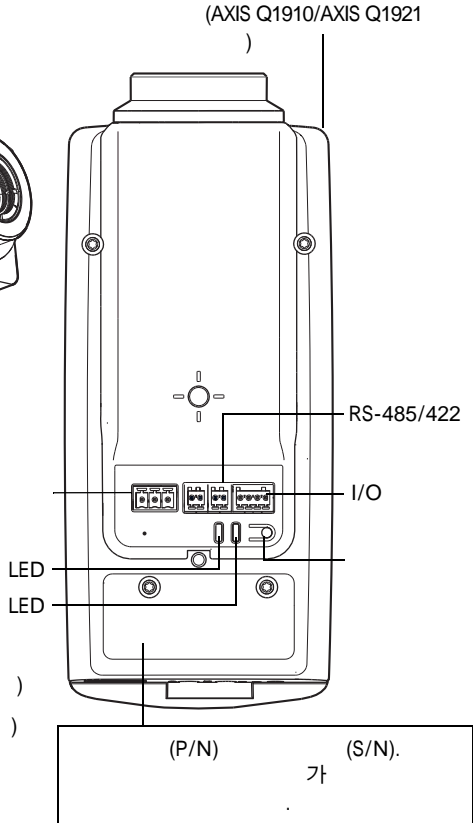
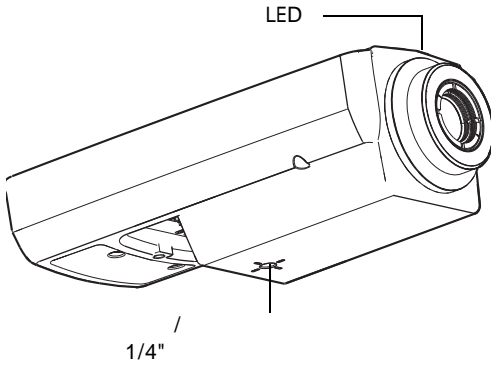


1

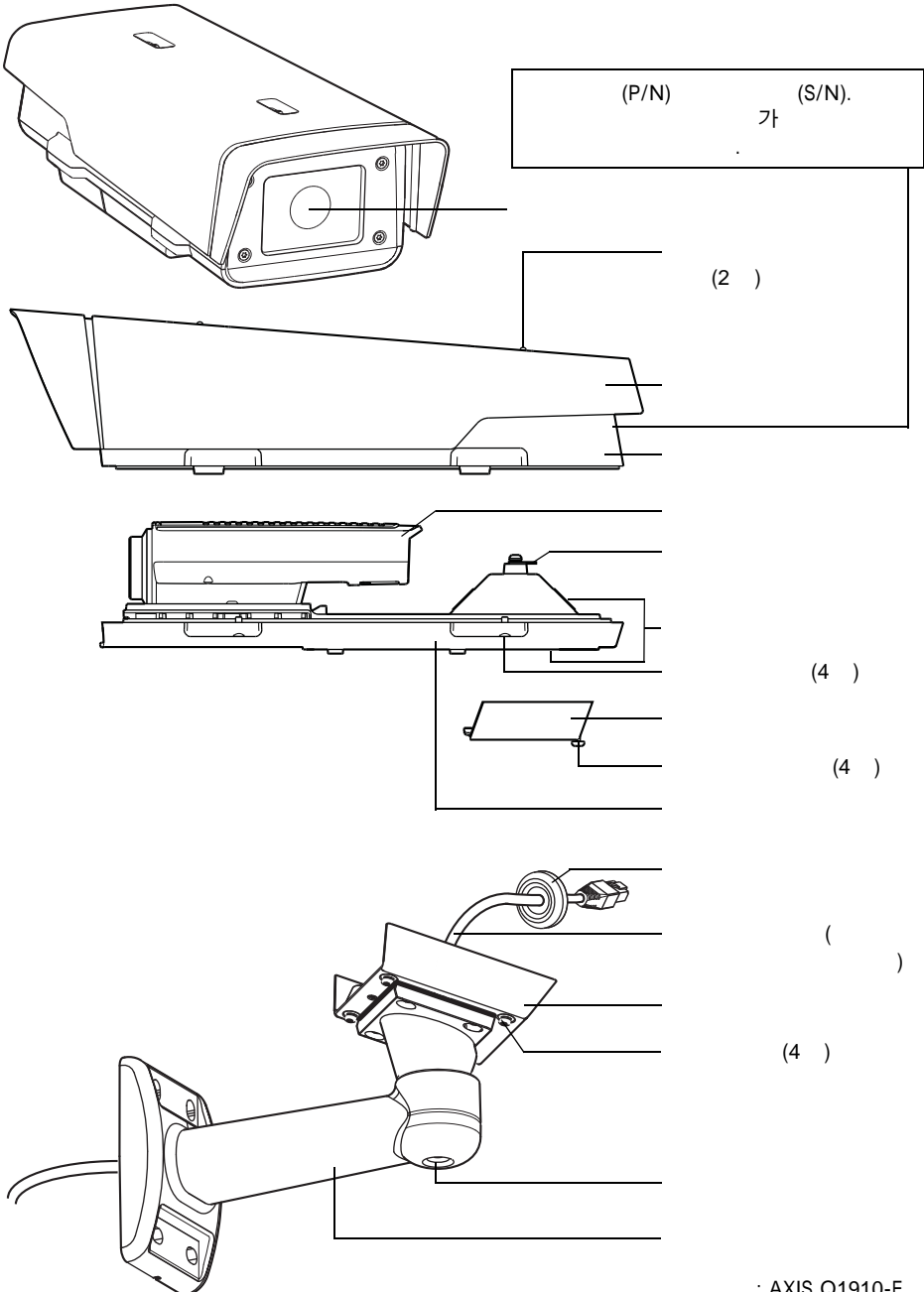
	/ /
	AXIS Q1910-E(8.3fps) AXIS Q1921-E(8.3/30fps) : 가 9fps
	I/O 3 , RS-485/422 2 4
	(AXIS Q1910/AXIS Q1921)
	(AXIS Q1910-E/AXIS Q1921-E)
	(AXIS Q1910-E/AXIS Q1921-E) Torx T20 ,
	(AXIS Q1910-E/AXIS Q1921-E) M20 5m(16ft.) (IP66)
CD	CD 가 AXIS
	AXIS Q1910/-E/AXIS Q1921/-E (), (2), AVHS
()	가 www.axis.com , www.axis.co.kr

2

AXIS Q1910/-E/AXIS Q1921/-E



AXIS Q1910-E/AXIS Q1921-E



3

AXIS Q1910-E/AXIS Q1921-E

www.axis.com, www.axis.co.kr

AXIS Q1910/AXIS Q1921

AXIS Q1910/AXIS Q1921

1. , , ,
2. , 10

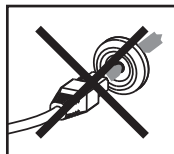
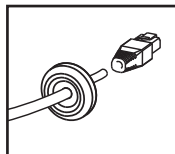
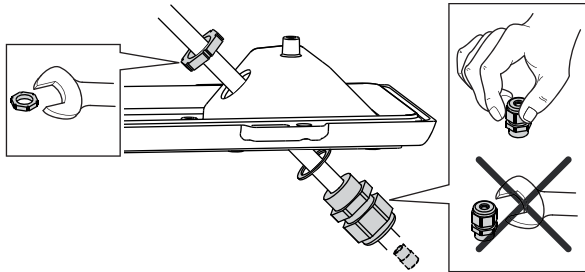
AXIS Q1910-E/AXIS Q1921-E

AXIS Q1910-E/AXIS Q1921-E

가

M20

IP66
가



1.

2.

. 7

3.

:

•

•

CD

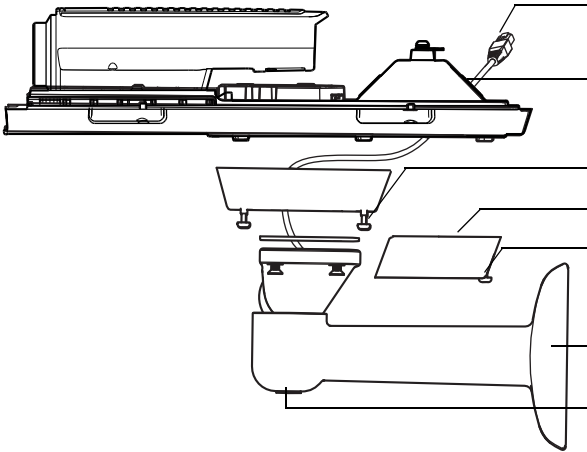
www.axis.com, www.axis.co.kr

1.

2.

. 7

3.



()

(4)

(2)

4.

, 10

5.

. 7

6.

7.

가

8.

9.

10.

, 15

1. SD () SDHC(Secure Digital High Capacity) SD 가 ()

2. / (). 18

3. ().

4.

5.

- PoE(Power over Ethernet, 3) 가 PoE

- , 18

6. LED가 20

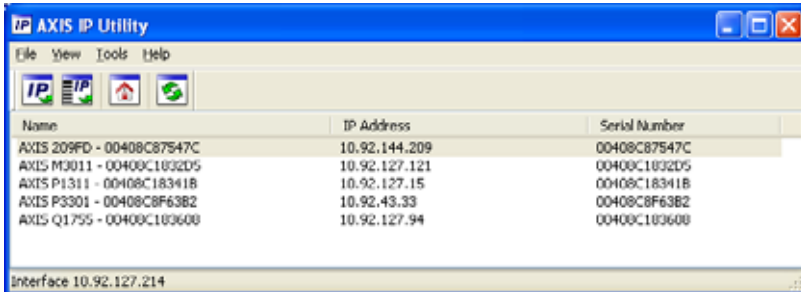
4 IP

192.168.0.90
 DHCP IP
 IP 가 Windows AXIS IP 가 AXIS
 CD
 www.axis.com/techsup

 AXIS IP : 11	Windows
 AXIS : 12	Windows 2000 Windows XP Pro Windows 2003 Server Windows Vista Windows 7

- IP
- IP 16


AXIS IP - /
 AXIS IP IP



AXIS IP ()

1. 가
2. AXIS IP
3. 가
4. 14

IP ()

1. IP
- 2.
3. IP (Assign new IP address to the selected device) 
4. (Assign) IP 2
5. (Home Page)
6. 14


AXIS - /

AXIS IP




1. 가
2. AXIS 가 (Live View Home Page)
3. 14

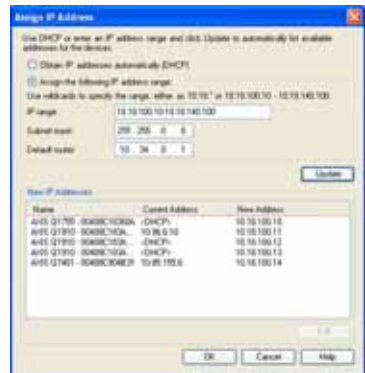
IP

1. AXIS (Assign IP)  IP
2. IP 가 (Assign the following IP address) IP
3. (OK)



IP

1. AXIS (Assign IP)  IP
2. IP address range (Assign the following IP address range) IP
3. (Update) IP (New IP Addresses) IP 가 (Edit)
4. (OK)



5

root()

(Configure Root

Password)

HTTPS

가

HTTPS

: HTTPS(Hypertext Transfer Protocol over SSL)

. HTTPS

HTTP

HTTPS

1. (Create self-signed certificate)

2. (OK) 가

3. (OK)

가

HTTPS



4. "root"

: root

5. (OK)

:

(Live View) 가
 (Yes) Internet Explorer AMC(AXIS Media
 Control)

: Windows Vista Windows 7 Internet Explorer
 administrator) Internet Explorer (Run as



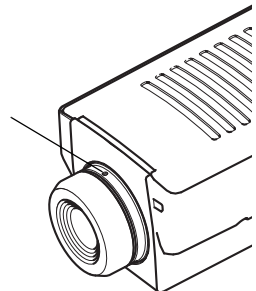
- AXIS Q1921-E

AXIS Q1921-E

1. 1.8mm
- 2.
- 3.

AXIS Q1910-E

가



IP

IP

UPnP™	Windows	" " 가 가
Bonjour	MAC OSX (10.4)	Bonjour (: Safari) Bonjour
AXIS Dynamic DNS		. HTTP www.axiscam.net
ARP/Ping		2
DHCP		DHCP

AXIS

(AVHS)

AVHS

. AVHS

AVHS

www.axis.com/hosting

가

(S/N)

:

ARP/Ping IP

1. IP
2. (S/N)
- 3.

Windows	Windows
arp -s <IP > < > ping -l 408 -t <IP >	arp -s 192.168.0.125 00-40-8c-18-10-00 ping -l 408 -t 192.168.0.125
UNIX/Linux/Mac	UNIX/Linux/Mac
arp -s <IP > < > temp ping -s 408 <IP >	arp -s 192.168.0.125 00:40:8c:18:10:00 temp ping -s 408 192.168.0.125

4. /
5. '192.168.0.125: ...
6. / http://<IP > (Enter)
- :
- Windows (Run...)
- cmd (OK)
- Windows Vista ARP (Run as administrator)
- Mac OS X ARP >

- RJ-45 . PoE(Power over Ethernet, 3)

- 3.5mm)

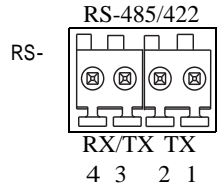
- 3.5mm () , (PA) 가

RS-485/422 - PTZ
2 2

RS-485/422

RS-485/422

- 2 , RX/TX 1
485
- 4 RX TX 1
RS-485
- 2 , RX TX
RS-422
- 4 RX TX 1 ()
RS-422



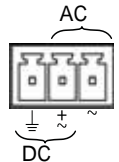
RS 485/422TX(A)	1	RS-422 4 RS-485 TX
RS 485/422TX(B)	2	
RS-485A alt RS-485/422RX(A)	3	RX (2 RS-485 RX/TX)
RS-485B alt RS-485/422RX(B)	4	

SDHC

SD

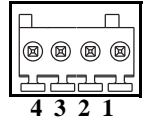
- 3 8~20V DC 20~24V AC

	DC	AC
AXIS Q1910	8~20V DC, 8.2W	20~24V AC, 12.7VA
AXIS Q1910-E	8~20V DC, 11.2W	20~24V AC, 17.4VA
AXIS Q1921	8~20V DC, 6W	20~24V AC, 10VA
AXIS Q1921-E	8~20V DC, 10W	20~24V AC, 16VA



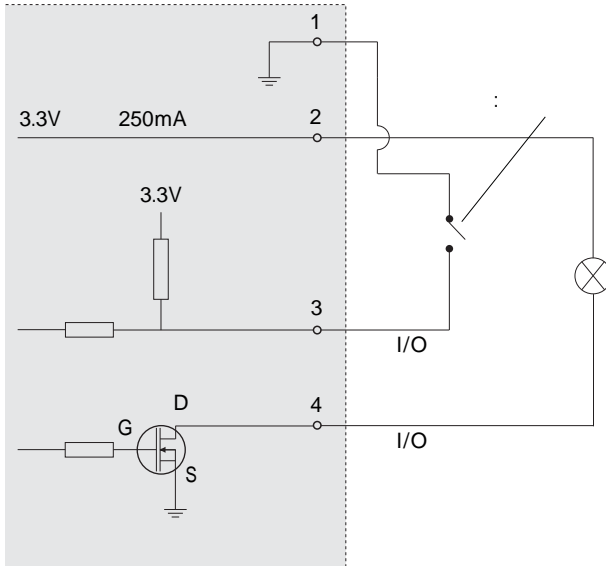
! - 가

I/O (time lapse recording)
 GND 2



- LED (Live View) (Event Type) (Event) > 가 (Port Status)
- PIR, / 가 (Events) > 가 (Port Status)).

GND	1		
3.3V DC	2		= 250mA
가 ()	3 ~ 4	- GND	= -40V DC = +40V DC 0V DC ~ +20V DC
		- GND NFET	= 100mA = +40V DC +20V DC



LED

LED		
		100Mbit/s
		10Mbit/s
		가
		: LED가 (Setup) > (System Options) > LED
		/

IP

1.

2. (Control)

3. 가

(15 가).

4.

(1) 가

가

5.

IP

(LAN)

• HTTP (80)

• H.264 RTSP (554)

www.axis.com/techsup Axis Support Web

가

(www.axis.com, www.axis.co.kr)

CD

!
www.axis.com/techsup

가

>

AXIS Q1910/-E/AXIS Q1921/-E

© Axis Communications AB, 2010

Ver.2.0

: 2010 8

40397