

# **AXIS T93C10 Outdoor Housing**

## **Installation Guide**



English

EN

France: Français

FR

Deutschland: Deutsch

DE

Italia: Italiano

IT

España: Español

ES

日本: 日本語

JA

中文: 简体中文

ZH

## Read this first

Read through this Installation Guide carefully before installing the product. Keep the Installation Guide for future reference.

## Legal considerations

Video and audio surveillance can be regulated by laws that vary from country to country. Check the laws in your local region before using this product for surveillance purposes.

## Liability

Every care has been taken in the preparation of this document. Please inform your local Axis office of any inaccuracies or omissions. Axis Communications AB cannot be held responsible for any technical or typographical errors and reserves the right to make changes to the product and manuals without prior notice. Axis Communications AB makes no warranty of any kind with regard to the material contained within this document, including, but not limited to, the implied warranties of merchantability and fitness for a particular purpose. Axis Communications AB shall not be liable nor responsible for incidental or consequential damages in connection with the furnishing, performance or use of this material. This product is only to be used for its intended purpose.

## Intellectual property rights

Axis AB has intellectual property rights relating to technology embodied in the product described in this document. In particular, and without limitation, these intellectual property rights may include one or more of the patents listed at [axis.com/patent.htm](http://axis.com/patent.htm) and one or more additional patents or pending patent applications in the US and other countries.

## Equipment modifications


This equipment must be installed and used in strict accordance with the instructions given in the user documentation. This equipment contains no user-serviceable components. Unauthorized equipment changes or modifications will invalidate all applicable regulatory certifications and approvals.

## Trademark acknowledgements

AXIS COMMUNICATIONS, AXIS and VAPIX are registered trademarks or trademark applications of Axis AB in various jurisdictions. All other company names and products are trademarks or registered trademarks of their respective companies.

## Regulatory information

### Europe

 This product complies with the applicable CE marking directives and harmonized standards:

- Electromagnetic Compatibility (EMC) Directive 2014/30/EU. See *Electromagnetic compatibility (EMC) on page 4*.
- Low Voltage (LVD) Directive 2014/35/EU. See *Safety on page 5*.
- Restrictions of Hazardous Substances (RoHS) Directive 2011/65/EU. See *Disposal and recycling on page 5*.

A copy of the original declaration of conformity may be obtained from Axis Communications AB. See *Contact information on page 5*.

## Electromagnetic compatibility (EMC)

This equipment has been designed and tested to fulfill applicable standards for:

- Radio frequency emission when installed according to the instructions and used in its intended environment.
- Immunity to electrical and electromagnetic phenomena when installed according to the instructions and used in its intended environment.

### USA

This equipment has been tested using a shielded network cable (STP) and found to comply with the limits for a Class B digital device, pursuant to part 15 of the FCC Rules. These limits are designed to provide reasonable protection against harmful interference in a residential installation. This equipment generates, uses and can radiate radio frequency energy and, if not installed and used in accordance with the instructions, may cause harmful interference to radio communications. However, there is no guarantee that interference will not occur in a particular installation. If this equipment does cause harmful interference to radio or television reception, which can be determined by turning the equipment off and on, the user is encouraged to try to correct the interference by one or more of the following measures:

- Reorient or relocate the receiving antenna.
- Increase the separation between the equipment and receiver.
- Connect the equipment into an outlet on a circuit different from that to which the receiver is connected.
- Consult the dealer or an experienced radio/TV technician for help.

The product shall be connected using a shielded network cable (STP) that is properly grounded.

### Canada

This digital apparatus complies with CAN ICES-3 (Class B). The product shall be connected using a shielded network cable (STP) that is properly grounded. Cet appareil numérique est conforme à la norme CAN NMB-3 (classe B). Le produit doit être connecté à l'aide d'un câble réseau blindé (STP) qui est correctement mis à la terre.

### Europe

This digital equipment fulfills the requirements for RF emission according to the Class B limit of EN 55022. The product shall be connected using a shielded network cable (STP) that is properly grounded.

### Australia/New Zealand

This digital equipment fulfills the requirements for RF emission according to the Class B limit of AS/NZS CISPR 22. The product shall be connected using a shielded network cable (STP) that is properly grounded.

### Japan

この装置は、クラスB 情報技術装置です。この装置は、家庭環境で使用することを目的としていますが、この装置がラジオやテレビジョン受信機に近接して使用されると、受信障害を引き起こすことがあります。取扱説明書に従って正しい取り扱いをして下さい。本製品は、シールドネットワークケーブル(STP)を使用して接続してください。また適切に接地してください。

**Korea**  
이 기기는 가정용(B급) 전자파적합기기로서 주  
로 가정에서 사용하는 것을 목적으로 하며, 모  
든 지역에서 사용할 수 있습니다. 적절히 접지  
된 STP (shielded twisted pair) 케이블을 사용하  
여 제품을 연결 하십시오.

**Safety**

This product complies with IEC/EN/UL 60950-1 and IEC/EN/UL 60950-22, Safety of Information Technology Equipment. The product shall be grounded either through a shielded network cable (STP) or other appropriate method.

**Disposal and recycling**

When this product has reached the end of its useful life, dispose of it according to local laws and regulations. For information about your nearest designated collection point, contact your local authority responsible for waste disposal. In accordance with local legislation, penalties may be applicable for incorrect disposal of this waste.

**Europe**



■ This symbol means that the product shall not be disposed of together with household or commercial waste. Directive 2012/19/EU on waste electrical and electronic equipment (WEEE) is applicable in the European Union member states. To prevent potential harm to human health and the environment, the product must be disposed of in an approved and environmentally safe recycling process. For information about your nearest designated collection point, contact your local authority responsible for waste disposal. Businesses should contact the product supplier for information about how to dispose of this product correctly.

This product complies with the requirements of Directive 2011/65/EU and 2015/863 on the restriction of the use of certain hazardous substances in electrical and electronic equipment (RoHS).

**China**



This product complies with the requirements of SJ/T 11364-2014, Marking for the restriction of hazardous substances in electrical and electronic products.

电气 实装 部分	X	0	0	0	0	0
<p>0: 表示该有毒有害物质在该部件均质材料中的含量均在GB/T 26572标准规定的限量要求以下。</p> <p>X: 表示该有毒有害物质至少在该部件的某一均质材料中的含量超出GB/T 26572标准规定的限量要求。</p>						

**Contact information**

Axis Communications AB  
Erdalavägen 14  
223 69 Lund  
Sweden

Tel: +46 46 272 18 00

Fax: +46 46 13 61 30

[axis.com](http://axis.com)

**Warranty information**

For information about Axis' product warranty and thereto related information, go to [axis.com/warranty](http://axis.com/warranty)

**Support**

Should you require any technical assistance, please contact your Axis reseller. If your questions cannot be answered immediately, your reseller will forward your queries through the appropriate channels to ensure a rapid response. If you are connected to the Internet, you can:

- download user documentation and software updates
- find answers to resolved problems in the FAQ database, search by product, category, or phrase
- report problems to Axis support staff by logging in to your private support area
- chat with Axis support staff
- visit Axis Support at [axis.com/support](http://axis.com/support)

**Learn more!**

Visit Axis learning center [axis.com/academy](http://axis.com/academy) for useful trainings, webinars, tutorials and guides.

有毒有害物质或元素						
部件名称	铅 (Pb)	汞 (Hg)	镉 (Cd)	六价铬 (Cr-VI)	多溴联苯 (PB-B)	多溴二苯醚 (PB-DE)

# AXIS T93C10 Outdoor Housing

---

<b>Package contents</b> .....	9
<b>Product overview</b> .....	10
<b>How to install the product</b> .....	11
How to install the camera in the housing .....	11
How to install the pan-tilt knuckle to the housing .....	11
How to install the wall mount .....	12
How to attach the housing to the wall mount .....	12
About cables and cable glands .....	12
How to connect power .....	14
How to connect the network .....	14
How to prevent moisture in the housing .....	14
How to pan and tilt the housing .....	14
How to adjust zoom .....	14
How to secure the lid .....	15
<b>Safety information</b> .....	17
Hazard levels .....	17
Other message levels .....	17
<b>Safety instructions</b> .....	18
Transportation .....	18
<b>Contenu de l'emballage</b> .....	19
<b>Vue d'ensemble du produit</b> .....	20
<b>Comment installer le produit</b> .....	21
Comment installer la caméra dans le boîtier .....	21
Comment installer le pivot panoramique/inclinaison sur le boîtier .....	21
Comment installer la fixation murale .....	22
Comment fixer le boîtier à la fixation murale .....	22
À propos des câbles et des presse-étoupes .....	22
Comment brancher l'alimentation .....	24
Comment se connecter au réseau .....	24
Comment empêcher l'accumulation de l'humidité dans le boîtier .....	24
Comment réaliser un panoramique et une inclinaison au niveau du boîtier .....	24
Comment régler le zoom .....	24
Comment fixer solidement le couvercle .....	25
<b>Informations sur la sécurité</b> .....	27
Niveaux de risques .....	27
Autres niveaux de message .....	27
<b>Signes de sécurité</b> .....	28
Transport .....	28
<b>Lieferumfang</b> .....	29
<b>Produktübersicht</b> .....	30
<b>Installieren des Produkts</b> .....	31
Die Kamera in das Gehäuse einbauen .....	31
So bringen Sie das Gelenk zum Schwenken und Neigen am Gehäuse an .....	31
Die Wandhalterung anbringen .....	32
Das Gehäuse an der Wandhalterung befestigen .....	33
Informationen zu Kabeln und Kabelverschraubungen .....	33
Die Stromversorgung herstellen .....	34

Die Netzwerkverbindung herstellen .....	34
Feuchtigkeit im Gehäuse verhindern .....	34
Das Gehäuse horizontal und vertikal ausrichten. ....	35
Den Zoom einstellen .....	35
Den Deckel sichern .....	35
<b>Sicherheitsinformationen</b> .....	37
Gefährdungsstufen .....	37
Andere Meldeebenen .....	37
<b>Sicherheitsanweisungen</b> .....	38
Transport .....	38
<b>Contenuto della confezione</b> .....	39
<b>Panoramica del dispositivo</b> .....	40
<b>Come installare il dispositivo</b> .....	41
Modalità di installazione della telecamera nell'alloggiamento .....	41
Modalità di installazione dell'asse di rotazione-inclinazione nell'alloggiamento .....	41
Modalità di installazione del supporto a parete .....	42
Modalità di collegamento dell'alloggiamento al supporto a parete .....	43
Informazioni sui cavi e sui pressacavi .....	43
Modalità di collegamento dell'alimentazione .....	44
Modalità di collegamento alla rete .....	44
Modalità di prevenzione dei problemi nell'alloggiamento .....	44
Modalità di rotazione e inclinazione dell'alloggiamento .....	45
Modalità di regolazione dello zoom .....	45
Modalità di fissaggio del coperchio .....	45
<b>Informazioni di sicurezza</b> .....	47
Livelli di pericolo .....	47
Altri livelli di messaggio .....	47
<b>Informazioni di sicurezza</b> .....	48
Trasporto .....	48
<b>Contenido del paquete</b> .....	49
<b>Información general del producto</b> .....	50
<b>Cómo instalar el producto</b> .....	51
Cómo instalar la cámara en la carcasa .....	51
Cómo instalar la pieza articulada de movimiento horizontal/vertical en la carcasa .....	51
Cómo instalar el soporte de pared .....	52
Cómo fijar la carcasa al soporte de pared .....	53
Acerca de los cables y los prensaestopas .....	53
Cómo conectar la alimentación .....	54
Cómo conectar la red .....	54
Cómo prevenir la humedad en la carcasa .....	54
Cómo realizar el movimiento vertical y horizontal de la carcasa. ....	55
Cómo ajustar el zoom .....	55
Cómo fijar la tapa .....	55
<b>Información de seguridad</b> .....	57
Niveles de peligro .....	57
Otros niveles de mensaje .....	57
<b>Instrucciones de seguridad</b> .....	58

# AXIS T93C10 Outdoor Housing

Transporte .....	58
<b>パッケージの内容</b> .....	59
<b>製品の概要</b> .....	60
<b>製品の取り付け方法</b> .....	61
カメラをハウジングにインストールする方法 .....	61
パン/チルトナックルをハウジングにインストールする方法 .....	61
壁面取付ブラケットの取り付け方法 .....	62
ハウジングの壁面取付ブラケットへの取り付け方法 .....	63
ケーブルとケーブルグランドについて .....	63
電源の接続方法 .....	64
ネットワークの接続方法 .....	64
ハウジング内の湿気を防ぐ方法 .....	64
ハウジングをパンおよびチルトする方法 .....	65
ズームの調整方法 .....	65
蓋の固定方法 .....	65
<b>安全情報</b> .....	67
危険レベル .....	67
その他のメッセージレベル .....	67
<b>安全手順</b> .....	68
輸送 .....	68
<b>包装内容</b> .....	69
<b>产品概述</b> .....	70
<b>如何安装产品</b> .....	71
如何将摄像机安装在防护罩中 .....	71
如何将云台转向节安装至防护罩 .....	71
如何安装墙挂支架 .....	72
如何将防护罩连接至墙挂支架 .....	72
关于电缆和电缆套管 .....	72
如何连接电源 .....	73
如何连接网络 .....	74
如何避免防护罩内受潮 .....	74
如何水平转动和垂直转动防护罩 .....	74
如何调节变焦 .....	74
如何紧固盖子 .....	74
<b>安全信息</b> .....	75
危险等级 .....	75
其他消息等级 .....	75
<b>安全说明</b> .....	76
运输 .....	76

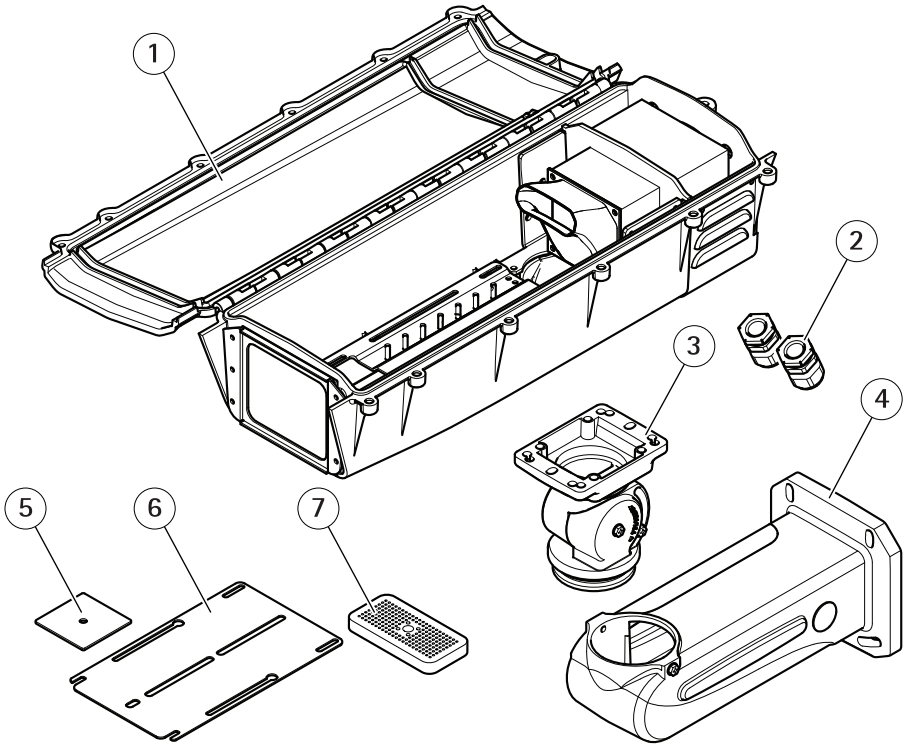


## Package contents

- AXIS T93C10 Outdoor Housing
- Wall mount bracket
- Pan-tilt knuckle and mounting hardware
- Camera mounting hardware
  - 1 camera sled
  - 20 bolts 3/8 inch (9.5 mm)
  - 1 split washer
  - 1 flat washer
- Camera mounting spacer
- Humidity control pack
- Printed material
  - Installation Guide (this document)

# AXIS T93C10 Outdoor Housing

## Product overview



- 1 Housing
- 2 Cable gland
- 3 Knuckle
- 4 Wall mount
- 5 Camera spacer
- 6 Camera sled
- 7 Humidity control pack

## How to install the product

### How to install the camera in the housing

1. Open the housing.
2. Remove the hardware pouch.
3. Loosen and remove the two rear screws that are securing the camera sled.
4. Remove the camera sled from the housing.
5. Attach the camera sled to the camera.

#### **NOTICE**

For cameras with large lenses, use the camera spacer between the camera and the camera sled.

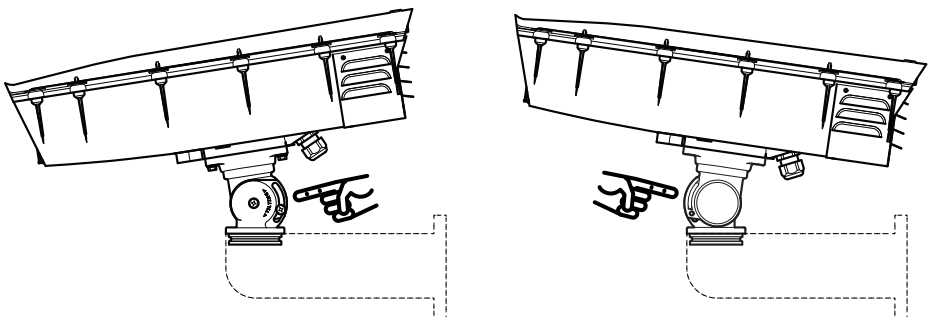
6. Connect the camera connector to the 24 V DC camera power wire in the housing. See instructions in the camera's Installation Guide.
7. Slide the front of the camera sled, with the attached camera, into the two front fixed screws to reinstall the camera sled into the housing.
8. Secure the camera sled with the two rear screws.

### How to install the pan-tilt knuckle to the housing

1. Attach the screws to the knuckle.
2. Attach the knuckle to the housing.
3. Attach the screws.

#### **Important**

- For a downward position of the camera, make sure TILTING marked on the knuckle is on the captive screw side of the housing.
- For an upward position of the camera, make sure TILTING marked on the knuckle is on the hinge side of the housing.



# AXIS T93C10 Outdoor Housing

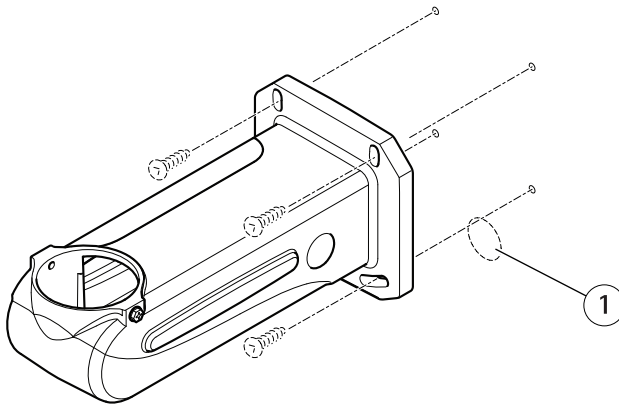
## How to install the wall mount

### ⚠ CAUTION

Make sure that the screws and plugs are appropriate for the material (e.g. wood, metal, drywall, stone) and that the material is strong enough to support the combined weight of the camera, housing, and wall mount.

For dimension drawings, see [www.axis.com](http://www.axis.com).

1. Mark the holes for the wall mount on the wall and drill the holes.
2. Attach the wall mount to the wall.
3. Drill a hole in the wall for cables, under the wall mount.



1 Cable hole

## How to attach the housing to the wall mount

1. Loosen the two screws on the wall mount.
2. Attach the housing with the attached knuckle to the wall mount.
3. Attach the two screws.

## About cables and cable glands

All power and network cables must be routed through the cable glands.

### NOTICE

To avoid moisture within the housing, the cable ports, wire feeds, and conduit must be fully sealed. Make sure the following criteria is fulfilled:

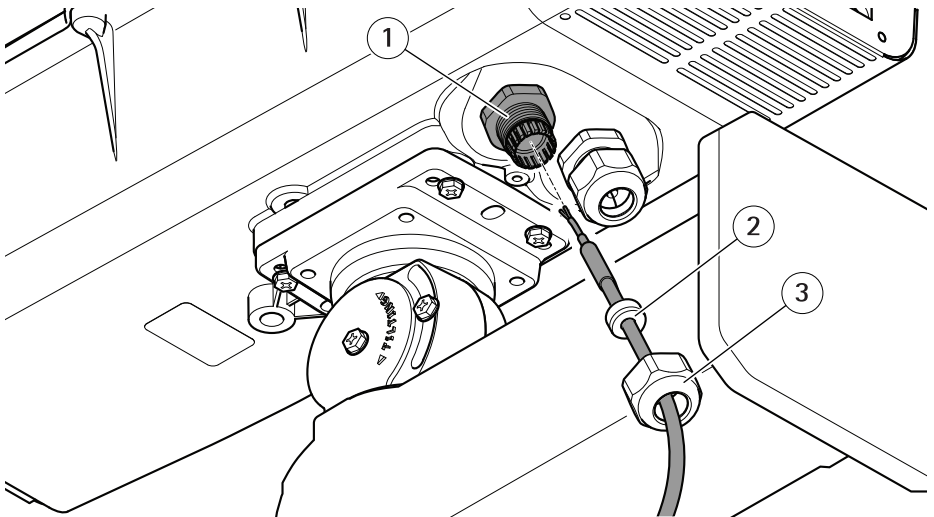
- Use only one cable per cable gland port.
- Use only round cables.

## How to prepare the cable glands

1. Remove the external nut to expose the cable glands.
2. Push out the washer through the cable gland, from the inside of the housing. Use a blunt tool.

## How to attach the cable glands

1. Thread the nut on the cable.
2. Thread the washer on the cable.
3. Pull the cable through the cable gland, into the housing.
4. Pull the washer into the cable gland.
5. Attach the nut. Make sure it is properly sealed.



- 1 Cable gland
- 2 Washer
- 3 Nut

# AXIS T93C10 Outdoor Housing

---

## How to connect power

1. Connect 24 V DC to the red terminal of the terminal block.
2. Connect (-) DC ground wire to the black terminal of the terminal block.
3. Tighten firmly with a small flat screwdriver.

## How to connect the network

1. Connect the network cable to the camera's network connector (PoE). See instructions in the camera's Installation Guide.

## How to prevent moisture in the housing

To prevent moisture inside the housing, add the humidity control pack.

1. Remove the plastic package from the humidity control pack.
2. Place the humidity control pack behind the camera in the housing.

## How to pan and tilt the housing

To access the live view stream, find the camera on the network and log in to the camera's webpage.

For tilt adjustment:

1. Loosen the screw in the pan-tilt knuckle.
2. Adjust the housing into position.
3. Attach the screw.

For pan adjustment:

1. Loosen the two screws on both sides of the wall mount.
2. Adjust the housing into position.
3. Attach the screws.

## How to adjust zoom

1. Log in to the camera's webpage.
2. Zoom the lens by turning the zoom ring on the lens with your fingers.
3. Lock the zoom position with the supplied elastic.

## How to secure the lid

1. Close the housing.
2. Make sure to alternately tighten the seven captive screws.





---

## Safety information

### Hazard levels

**▲DANGER**

Indicates a hazardous situation which, if not avoided, will result in death or serious injury.

**▲WARNING**

Indicates a hazardous situation which, if not avoided, could result in death or serious injury.

**▲CAUTION**

Indicates a hazardous situation which, if not avoided, could result in minor or moderate injury.

**NOTICE**

Indicates a situation which, if not avoided, could result in damage to property.

### Other message levels

**Important**

Indicates significant information which is essential for the product to function correctly.

**Note**

Indicates useful information which helps in getting the most out of the product.

# AXIS T93C10 Outdoor Housing

---

## Safety instructions

### **NOTICE**

- The Axis product shall be used in compliance with local laws and regulations.
- Store the Axis product in a dry and ventilated environment.
- Avoid exposing the Axis product to shocks or heavy pressure.
- Do not install the product on unstable poles, brackets, surfaces or walls.
- Use only applicable tools when installing the Axis product. Using excessive force with power tools could cause damage to the product.
- Do not use chemicals, caustic agents, or aerosol cleaners.
- Use a clean cloth dampened with pure water for cleaning.
- Use only accessories that comply with the technical specification of your product. These can be provided by Axis or a third party. Axis recommends using Axis power source equipment compatible with your product.
- Use only spare parts provided by or recommended by Axis.
- Do not attempt to repair the product yourself. Contact Axis support or your Axis reseller for service matters.

## Transportation

### **NOTICE**

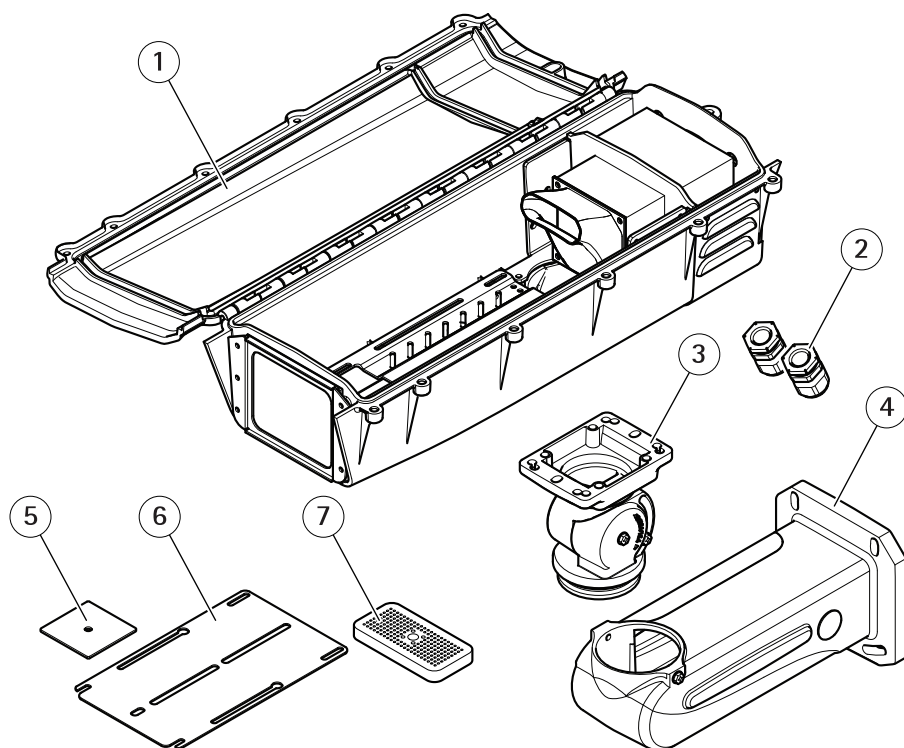
- When transporting the Axis product, use the original packaging or equivalent to prevent damage to the product.

## Contenu de l'emballage

- Boîtier extérieur AXIS T93C10
- Support de montage mural
- Pivot panoramique/inclinaison et matériel de montage
- Matériel de montage de la caméra
  - 1 système de fixation de caméra
  - 20 boulons de 9,5 mm
  - 1 rondelle fendue
  - 1 rondelle plate
- Espaceur de montage de caméra
- Pack de contrôle de l'humidité
- Documentation imprimée
  - Guide d'installation (ce document)

# AXIS T93C10 Outdoor Housing

## Vue d'ensemble du produit



- 1 Boîtier
- 2 Presse-étoupe
- 3 Pivot
- 4 Fixation murale
- 5 Espaceur de caméra
- 6 Système de fixation de caméra
- 7 Pack de contrôle de l'humidité

## Comment installer le produit

### Comment installer la caméra dans le boîtier

1. Ouvrez le boîtier.
2. Retirez la pochette de matériel.
3. Desserrez et retirez les deux vis arrière qui fixent le système de fixation de caméra.
4. Retirez le système de fixation de caméra du boîtier.
5. Fixez le système de fixation de caméra sur la caméra.

#### AVIS

Pour les caméras à objectifs larges, placez l'espaceur de caméra entre la caméra et le système de fixation de caméra.

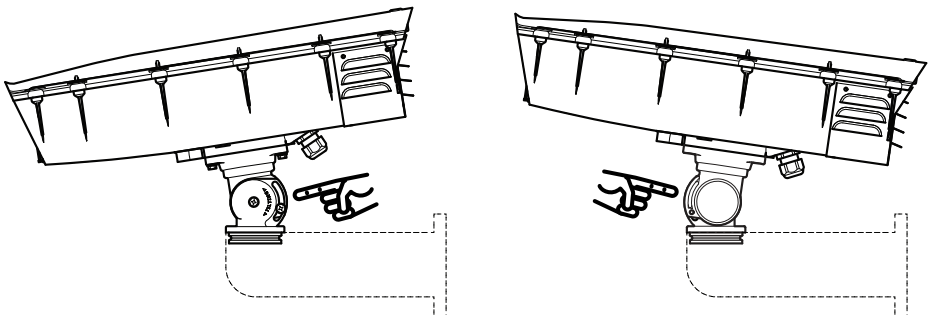
6. Branchez le connecteur de la caméra sur le fil d'alimentation 24 VCC de la caméra dans le boîtier. Consultez les instructions contenues dans le Guide d'installation de la caméra.
7. Faites glisser l'avant du système de fixation de caméra, avec la caméra fixée, dans les deux vis fixes avant pour réinstaller le système de fixation de caméra dans le boîtier.
8. Fixez solidement le système de fixation de caméra à l'aide des deux vis arrière.

### Comment installer le pivot panoramique/inclinaison sur le boîtier

1. Fixez les vis au pivot.
2. Fixez le pivot au boîtier.
3. Serrez les vis.

#### Important

- Pour orienter la caméra vers le bas, vérifiez que l'**INCLINAISON** marquée sur le pivot se trouve sur le côté des vis captives du boîtier.
- Pour orienter la caméra vers le haut, vérifiez que l'**INCLINAISON** marquée sur le pivot se trouve sur le côté des charnières du boîtier.



# AXIS T93C10 Outdoor Housing

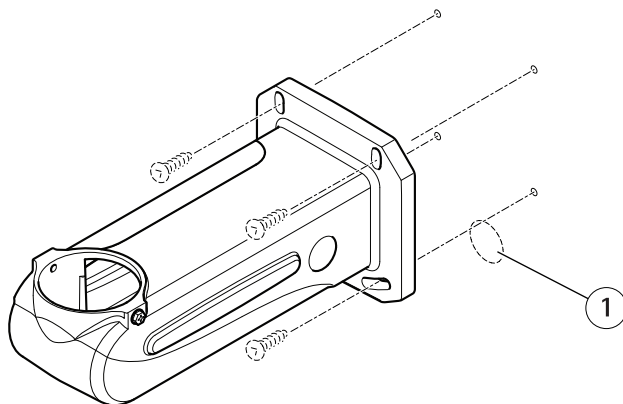
## Comment installer la fixation murale

### ⚠ ATTENTION

Assurez-vous que les vis et les fiches sont adaptées au matériau (bois, métal, cloison sèche, pierre, etc.) et que le matériau est suffisamment résistant pour supporter le poids combiné de la caméra, du boîtier et du support mural.

Pour les schémas avec les dimensions, consultez [www.axis.com](http://www.axis.com).

1. Marquez les perforations pour la fixation murale sur le mur et forez les trous correspondants.
2. Fixez le support mural au mur.
3. Forez un trou dans le mur pour les câbles, sous la fixation murale.



1 Perforation pour les câbles

## Comment fixer le boîtier à la fixation murale

1. Desserrez les deux vis présentes sur la fixation murale.
2. Fixez le boîtier avec le pivot associé sur la fixation murale.
3. Serrez les deux vis.

## À propos des câbles et des presse-étoupes

Tous les câbles d'alimentation et réseau doivent être acheminés par les presse-étoupes.

## AVIS

Pour éviter toute humidité à l'intérieur du boîtier, les ports de câble, les alimentations en fil et les tuyaux doivent être complètement scellés. Vérifiez que les critères suivants sont bien respectés :

- Utiliser un seul câble par port de presse-étoupe.
- Utiliser des câbles arrondis uniquement.

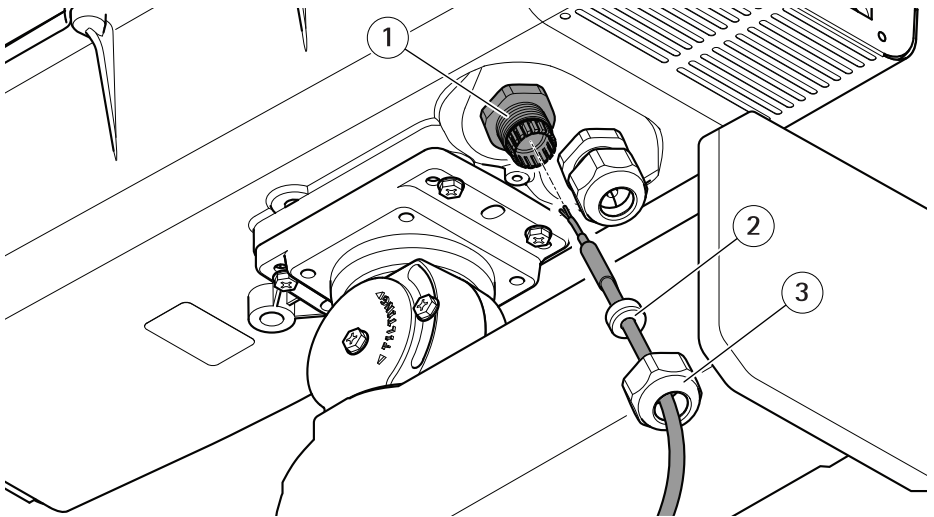
FR

## Comment préparer les presse-étoupes

1. Retirez l'écrou extérieur pour exposer les presse-étoupes.
2. Retirez la rondelle en passant à travers le presse-étoupe, depuis l'intérieur du boîtier. Utilisez un outil peu tranchant.

## Comment fixer les presse-étoupes

1. Faites passer l'écrou sur le câble.
2. Faites passer la rondelle sur le câble.
3. Faites glisser le câble à travers le presse-étoupe, dans le boîtier.
4. Faites glisser la rondelle dans le presse-étoupe.
5. Fixez l'écrou. Vérifiez qu'il est bien scellé.



- 1 Presse-étoupe
- 2 Rondelle

## Comment brancher l'alimentation

1. Branchez le fil d'alimentation 24 VCC au terminal rouge du bloc terminal.
2. Branchez le fil de terre (-) au terminal noir du bloc terminal.
3. Serrez fortement à l'aide d'un petit tournevis plat.

## Comment se connecter au réseau

1. Reliez le câble réseau au connecteur réseau dans la caméra (PoE). Consultez les instructions contenues dans le Guide d'installation de la caméra.

## Comment empêcher l'accumulation de l'humidité dans le boîtier

Pour empêcher l'accumulation de l'humidité dans le boîtier, ajoutez le pack de contrôle de l'humidité.

1. Débarrassez le pack de contrôle de l'humidité de son emballage en plastique.
2. Placez le pack de contrôle de l'humidité derrière la caméra dans le boîtier.

## Comment réaliser un panoramique et une inclinaison au niveau du boîtier

Pour accéder au flux de données en direct, trouvez la caméra sur le réseau et connectez-vous à la page Web de la caméra.

Pour régler une inclinaison :

1. Desserrez la vis au niveau du pivot panoramique/inclinaison.
2. Mettez le boîtier en position.
3. Resserrez la vis.

Pour régler un panoramique :

1. Desserrez les deux vis situées de chaque côté de la fixation murale.
2. Mettez le boîtier en position.
3. Serrez les vis.

## Comment régler le zoom

1. Connectez-vous à la page Web de la caméra.



2. Faites zoomer l'objectif en tournant manuellement la bague située sur l'objectif.
3. Verrouillez la position du zoom avec l'élastique fourni.

### **Comment fixer solidement le couvercle**

1. Fermez le boîtier.
2. Veillez à serrer alternativement les 7 vis captives.



## Informations sur la sécurité

### Niveaux de risques

#### **▲ DANGER**

Indique une situation dangereuse qui, si elle n'est pas évitée, entraînera le décès ou des blessures graves.

#### **▲ AVERTISSEMENT**

Indique une situation dangereuse qui, si elle n'est pas évitée, pourrait entraîner le décès ou des blessures graves.

#### **▲ ATTENTION**

Indique une situation dangereuse qui, si elle n'est pas évitée, pourrait entraîner des blessures légères ou modérées.

#### **AVIS**

Indique une situation qui, si elle n'est pas évitée, pourrait endommager l'appareil.

### Autres niveaux de message

#### **Important**

Indique les informations importantes, nécessaires pour assurer le bon fonctionnement de l'appareil.

#### **Note**

Indique les informations utiles qui permettront d'obtenir le fonctionnement optimal de l'appareil.

# AXIS T93C10 Outdoor Housing

---

## Consignes de sécurité

### **AVIS**

- Le produit Axis doit être utilisé conformément aux lois et règlements locaux.
- Conserver ce produit Axis dans un environnement sec et ventilé.
- Ne pas exposer ce produit Axis aux chocs ou aux fortes pressions.
- Ne pas installer ce produit sur des poteaux, supports, surfaces ou murs instables.
- Utiliser uniquement des outils recommandés pour l'installation de l'appareil Axis. L'application d'une force excessive sur l'appareil avec des outils puissants pourrait l'endommager.
- Ne pas utiliser de produits chimiques, de substances caustiques ou de nettoyeurs pressurisés.
- Utiliser un chiffon propre imbibé d'eau pure pour le nettoyage.
- Utiliser uniquement des accessoires conformes aux caractéristiques techniques de votre produit. Ils peuvent être fournis par Axis ou un tiers. Axis recommande d'utiliser un équipement d'alimentation Axis compatible avec votre produit.
- Utiliser uniquement les pièces de rechange fournies ou recommandées par Axis.
- Ne pas essayer de réparer vous-même ce produit. Contacter l'assistance technique d'Axis ou votre revendeur Axis pour des problèmes liés à l'entretien.

## Transport

### **AVIS**

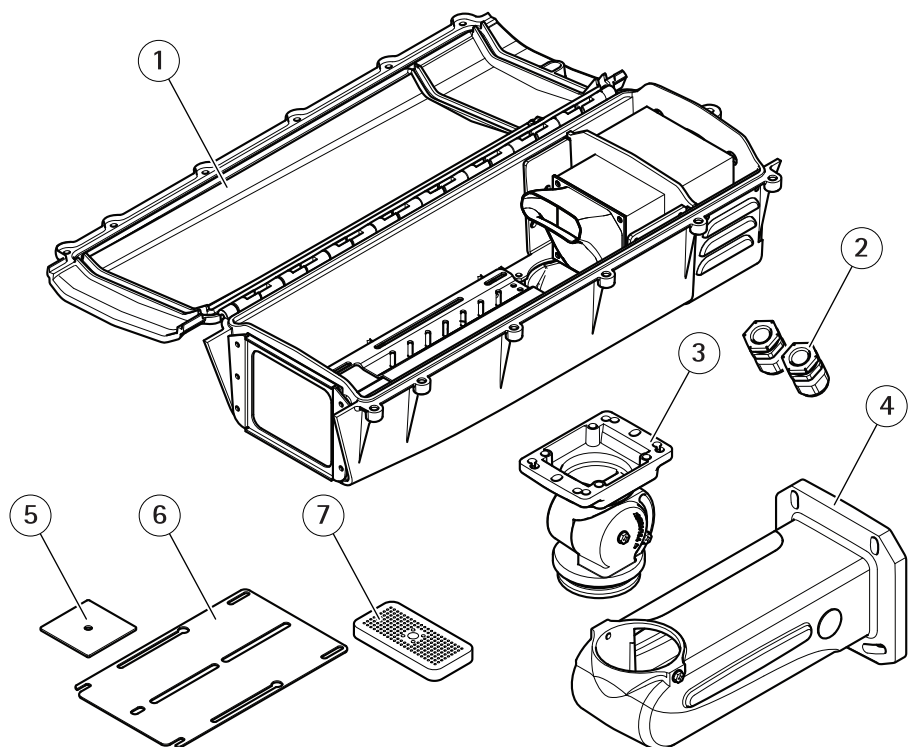
- Lors du transport du produit Axis, utilisez l'emballage d'origine ou un équivalent pour éviter d'endommager le produit.

## Lieferumfang

- AXIS T93C10 Außenbereichsgehäuse
- Wandhalterung
- Gelenk zum Schwenken und Neigen mit Befestigungselementen
- Befestigungselemente der Kamera
  - 1 Kammerschlitten
  - 20 Schrauben, 3/8 Zoll (9,5 mm)
  - 1 Federring
  - 1 Unterlegscheibe
- Befestigungsabstandshalter der Kamera
- Luftentfeuchterbeutel
- Gedruckte Dokumente
  - Installationsanleitung (dieses Dokument)

# AXIS T93C10 Outdoor Housing

## Produktübersicht



- 1 Gehäuse
- 2 Kabelverschraubung
- 3 Gelenk
- 4 Wandhalterung
- 5 Abstandshalter der Kamera
- 6 Kameraschlitten
- 7 Luftentfeuchterbeutel

## Installieren des Produkts

### Die Kamera in das Gehäuse einbauen

1. Das Gehäuse öffnen.
2. Die Hardwaretasche entfernen.
3. Die beiden Sicherungsschrauben hinten am Kameraschlitten lösen und entfernen.
4. Den Kameraschlitten aus der Kamera nehmen.
5. Die Kamera am Kameraschlitten befestigen.

#### **HINWEIS**

Für Kameras mit langem Objektiv, den Abstandshalter zwischen Kamera und Kameraschlitten einsetzen.

6. Den Kameraanschluss an das Gleichstromkabel 24 V im Gehäuse anschließen. Siehe dazu die entsprechende Beschreibung in der Installationsanleitung der Kamera.
7. Das vordere Ende des Kameraschlittens mit montierter Kamera in die beiden vorderen festeingebauten Schrauben einsetzen.
8. Den Kameraschlitten mit den beiden Sicherungsschrauben hinten sichern.

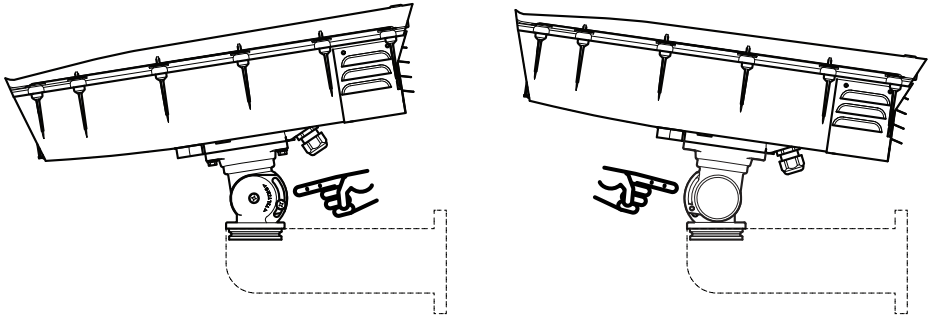
### So bringen Sie das Gelenk zum Schwenken und Neigen am Gehäuse an

1. Die Schrauben am Gelenk anbringen.
2. Das Gelenk an das Gehäuse ansetzen.
3. Die Schrauben anziehen.

#### **Wichtig**

- Um die Kamera nach unten auszurichten, sicherstellen, dass sich die Markierung TILTING am Gelenk auf der Seite der unverlierbaren Gehäuseschrauben befindet.
- Um die Kamera nach oben auszurichten, sicherstellen, dass sich die Markierung TILTING am Gelenk auf der Seite des Gehäusescharniers befindet.

# AXIS T93C10 Outdoor Housing



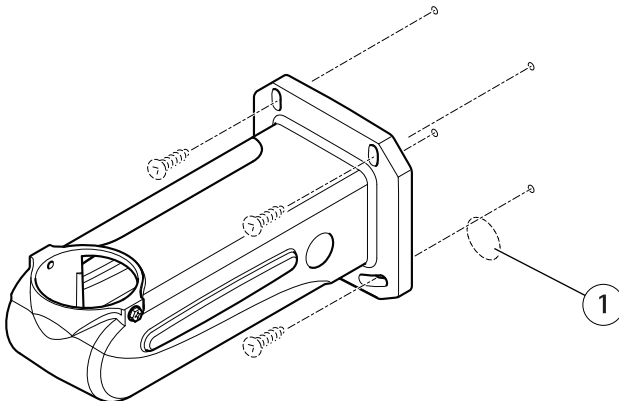
## Die Wandhalterung anbringen

### ⚠VORSICHT

Sicherstellen, dass Schrauben und Dübel für das Trägermaterial (zum Beispiel Holz, Metall, Trockenbauelement, Stein) geeignet sind und dass die Tragfähigkeit des Materials dem Gesamtgewicht von Kamera, Gehäuse und Halterung entspricht.

Siehe [www.axis.com](http://www.axis.com) zu Maßzeichnungen.

1. Die Bohrlöcher für die Wandhalterung markieren und die Löcher bohren.
2. Die Wandhalterung an der Wand anbringen.
3. Unterhalb der Wandhalterung eine Kabeldurchführung in die Wand bohren.



1 Kabeldurchführung



## Das Gehäuse an der Wandhalterung befestigen

1. Die beiden Schrauben der Wandhalterung lösen.
2. Das Gehäuse zusammen mit dem angebrachten Schenkel an der Wandhalterung befestigen.
3. Die beiden Schrauben anziehen.

## Informationen zu Kabeln und Kabelverschraubungen

Sämtliche Stromkabel und Netzwerkkabel müssen durch Kabelverschraubungen geführt werden.

### **HINWEIS**

Um Feuchtigkeit im Gehäuse zu vermeiden, müssen die Kabeleinführungen und Kabelrohre vollständig abgedichtet werden. Sicherstellen, dass den folgenden Vorgaben entsprochen wird:

- Jedes Kabel besitzt seine eigene Kabelverschraubung.
- Es werden nur Kabel mit rundem Querschnitt verwendet.

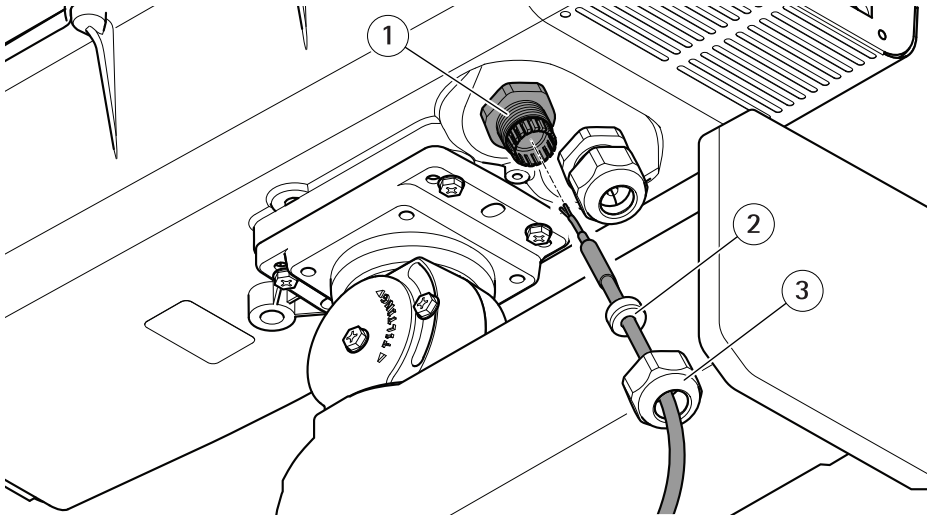
## Die Kabelverschraubungen vorbereiten.

1. Die Außenmutter entfernen, um die Kabelverschraubung freizulegen.
2. Den Dichtring von innen aus der Kabelverschraubung herausschieben. Dazu ein stumpfes Werkzeug benutzen.

## Die Kabelverschraubungen befestigen

1. Die Mutter auf das Kabel ziehen.
2. Den Dichtring auf das Kabel ziehen.
3. Das Kabel durch die Kabelverschraubung hindurch in das Gehäuse führen.
4. Den Dichtring in die Kabelverschraubung ziehen.
5. Die Mutter anbringen. Auf ordnungsgemäße Abdichtung prüfen.

# AXIS T93C10 Outdoor Housing



- 1 Kabelverschraubung
- 2 Dichtring
- 3 Mutter

## Die Stromversorgung herstellen

1. Das Gleichstromkabel 24 V (+) an den roten Anschluss des Anschlussblocks anschließen.
2. Das Erdungskabel (-) an den schwarzen Anschluss des Anschlussblocks anschließen.
3. Die Schrauben mit einem passenden Schlitzschraubenzieher fest anziehen.

## Die Netzwerkverbindung herstellen

1. Das Netzkabel an den Netzwerkanschluss (PoE) der Kamera anschließen. Siehe dazu die entsprechende Beschreibung in der Installationsanleitung der Kamera.

## Feuchtigkeit im Gehäuse verhindern

Um Feuchtigkeit im Gehäuse zu verhindern, den Luftentfeuchterbeutel in das Gehäuse legen.

1. Die Plastikschutzhülle des Luftentfeuchterbeutels entfernen.
2. Den Luftentfeuchterbeutel hinter der Kamera in das Gehäuse legen.

## Das Gehäuse horizontal und vertikal ausrichten.

Um auf den Livestream zuzugreifen, im Netzwerk die Kamera ermitteln und sich auf der Webseite der Kamera anmelden.

Den Neigungswinkel einstellen:

1. Die Schraube im Gelenk zum Schwenken und Neigen lösen.
2. Das Gehäuse ausrichten.
3. Die Schraube anziehen.

Den Schwenkwinkel einstellen:

1. Die Schrauben an beiden Seiten der Wandhalterung lösen.
2. Das Gehäuse ausrichten.
3. Die Schrauben anziehen.

## Den Zoom einstellen

1. Melden Sie sich auf der Webseite der Kamera an.
2. Den Zoomregler des Objektivs drehen, um die gewünschte Zoomeinstellung zu erreichen.
3. Die Zoomeinstellung mit dem mitgelieferten Elastikband sichern.

## Den Deckel sichern

1. Das Gehäuse schließen.
2. Die sieben unverlierbaren Schrauben wechselseitig anziehen.



---

## Sicherheitsinformationen

### Gefährdungsstufen

#### **▲GEFAHR**

Weist auf eine gefährliche Situation hin, welche, falls nicht verhindert, zu Tod oder schweren Verletzungen führen kann.

#### **▲WARNUNG**

Weist auf eine gefährliche Situation hin, welche, falls nicht verhindert, zu Tod oder schweren Verletzungen führen kann.

#### **▲VORSICHT**

Weist auf eine gefährliche Situation hin, welche, falls nicht verhindert, zu geringfügiger oder mäßiger Verletzung führen kann.

#### **HINWEIS**

Weist auf eine gefährliche Situation hin, welche, falls nicht verhindert, zu Sachschäden führen kann.

DE

### Andere Meldeebenen

#### **Wichtig**

Weist auf wichtige Informationen hin, die den richtigen Betrieb des Produkts gewährleisten.

#### **Beachten**

Weist auf nützliche Informationen hin, die die optimale Verwendung des Produkts unterstützen.

## Sicherheitsanweisungen

### **HINWEIS**

- Das Axis-Produkt muss unter Beachtung der geltenden Gesetze und Bestimmungen betrieben werden.
- Lagern Sie das Axis Produkt in einer trockenen und belüfteten Umgebung.
- Das Axis-Produkt weder Stößen noch starkem Druck aussetzen.
- Das Produkt nicht an instabilen Masten, Halterungen, Oberflächen oder Wänden anbringen.
- Verwenden Sie bei der Installation des Axis Produkts ausschließlich passende Werkzeuge. Ein zu großer Kraftaufwand mit elektrischen Werkzeugen kann das Produkt beschädigen.
- Verwenden Sie keine chemischen, ätzenden oder aerosolhaltigen Reinigungsmittel.
- Verwenden Sie zum Reinigen ein sauberes, mit destilliertem Wasser angefeuchtetes Tuch.
- Verwenden Sie nur Zubehör, das den technischen Vorgaben Ihres Produkts entspricht. Dieses ist von Axis oder Drittanbietern erhältlich. Axis empfiehlt die mit Ihrem Produkt kompatible Stromversorgung von Axis.
- Verwenden Sie ausschließlich Ersatzteile die von Axis angeboten oder empfohlen werden.
- Versuchen Sie nicht, dieses Produkt selbsttätig zu reparieren. Wenden Sie sich bezüglich Reparatur und Wartung an den Axis Support oder Ihren Axis Händler.

## Transport

### **HINWEIS**

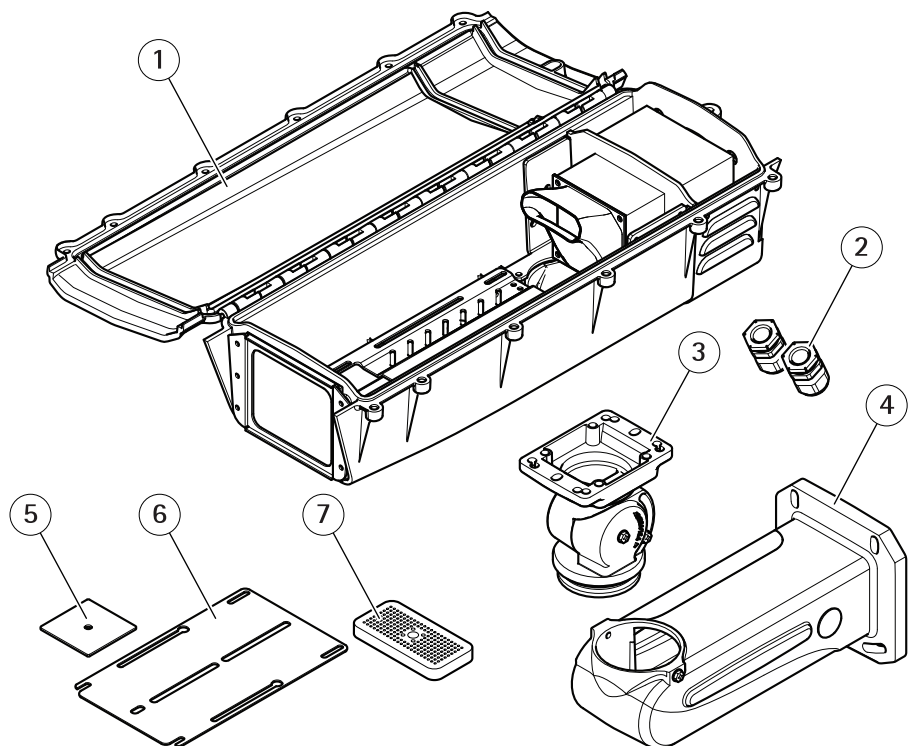
- Bei Bedarf transportieren Sie das Axis Produkt in der Originalverpackung oder einer entsprechenden Verpackung, so dass Schäden vermieden werden.

## Contenuto della confezione

- Alloggiamento per esterni AXIS T93C10
- Staffa per il montaggio a parete
- Asse di rotazione-inclinazione e hardware per il montaggio
- Hardware di montaggio della telecamera
  - 1 slitta della telecamera
  - 20 bulloni da 9,5 mm
  - 1 rondella elastica
  - 1 rondella spaccata
- Distanziale di montaggio della telecamera
- Pacchetto di controllo dell'umidità
- Documentazione cartacea
  - Guida all'installazione (il presente documento)

# AXIS T93C10 Outdoor Housing

## Panoramica del dispositivo



- 1 *Alloggiamento*
- 2 *Pressacavo*
- 3 *Asse di rotazione*
- 4 *Montaggio a parete*
- 5 *Distanziale della telecamera*
- 6 *Slitta della telecamera*
- 7 *Pacchetto di controllo dell'umidità*



## Come installare il dispositivo

### Modalità di installazione della telecamera nell'alloggiamento

1. Aprire l'alloggiamento.
2. Rimuovere la custodia dell'hardware.
3. Allentare e rimuovere le due viti posteriori che fissano la slitta della telecamera.
4. Rimozione la slitta della telecamera dall'alloggiamento.
5. Collegare la slitta alla telecamera.

#### **AVVISO**

Per le telecamere con obiettivi più grandi, utilizzare il distanziale della telecamera tra la telecamera stessa e la relativa slitta.

6. Collegare il connettore della telecamera al cavo di alimentazione della telecamera a 24 V CC nell'alloggiamento. Vedere le istruzioni nella Guida all'installazione della telecamera.
7. Per reinstallare la slitta della telecamera nell'alloggiamento, far scorrere la parte anteriore della slitta con la telecamera collegata nelle due viti fissate anteriori.
8. Fissare la slitta della telecamera con le due viti posteriori.

IT

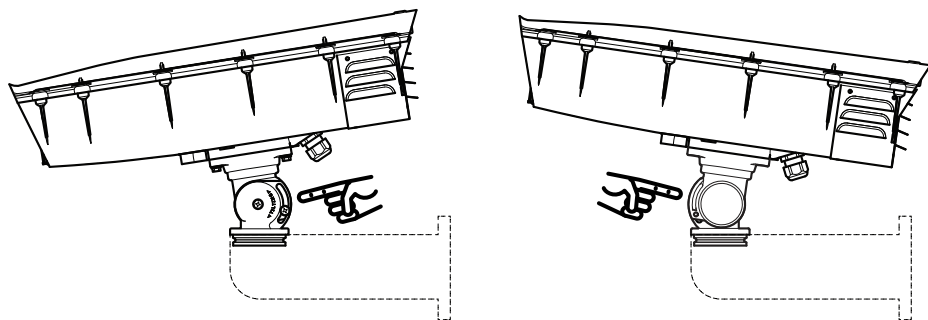
### Modalità di installazione dell'asse di rotazione-inclinazione nell'alloggiamento

1. Fissare le viti all'asse di rotazione.
2. Fissare l'asse di rotazione all'alloggiamento.
3. Fissare le viti.

#### **Importante**

- Affinché la telecamera sia rivolta verso il basso, verificare che l'inclinazione contrassegnata sull'asse di rotazione si trovi sul lato della vite anticaduta dell'alloggiamento.
- Affinché la telecamera sia rivolta verso l'alto, verificare che l'inclinazione contrassegnata sull'asse di rotazione si trovi sul lato della cerniera dell'alloggiamento.

## AXIS T93C10 Outdoor Housing



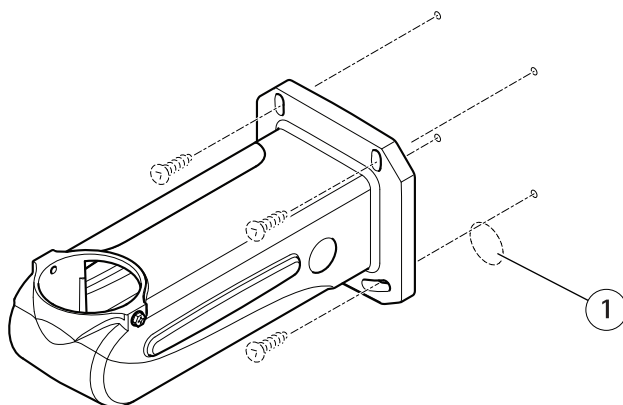
### Modalità di installazione del supporto a parete

#### ⚠ATTENZIONE

Verificare che le viti e i tasselli siano adatti al materiale (es. legno, metallo, cartongesso, pietra) e che il materiale sia in grado di sostenere telecamera, alloggiamento e supporto per il montaggio a parete.

Visitare il sito [www.axis.com](http://www.axis.com) per i disegni dimensionali.

1. Contrassegnare i fori per il montaggio a parete e praticare i fori.
2. Fissare il supporto alla parete.
3. Praticare un foro nella parete per i cavi, sotto il supporto per il montaggio a parete.



1 Foro per i cavi

## Modalità di collegamento dell'alloggiamento al supporto a parete

1. Allentare le due viti sul supporto a parete.
2. Collegare l'alloggiamento all'asse di rotazione collegato al supporto a parete.
3. Fissare le due viti.

## Informazioni sui cavi e sui pressacavi

Tutti i cavi di rete e di alimentazione devono essere installati mediante pressacavi.

### **AVISO**

Per evitare problemi nell'alloggiamento, le porte dei cavi, i cavi di alimentazioni e la canalina devono essere completamente sigillati. Verificare che i seguenti criteri siano soddisfatti:

- Utilizzare solo un cavo per porta del pressacavo.
- Utilizzare solo cavi rotondi.

IT

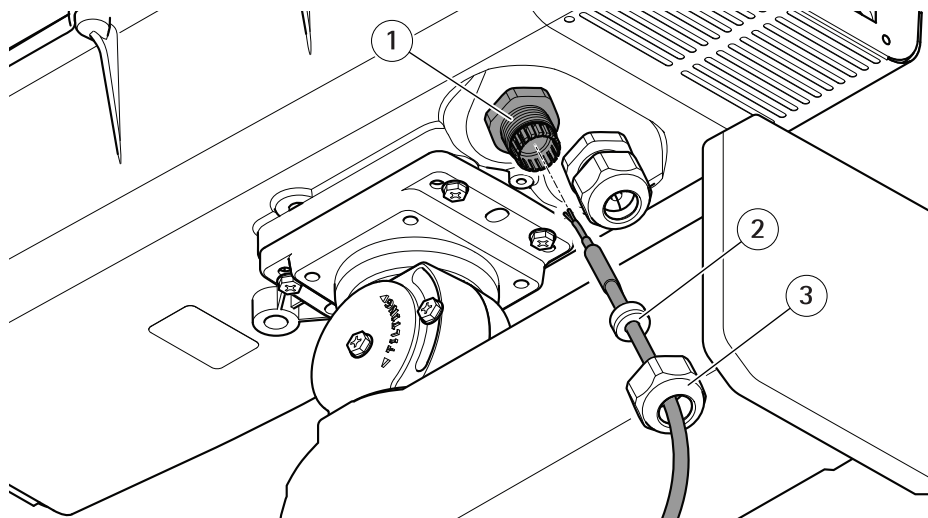
## Modalità di preparazione dei pressacavi

1. Rimuovere il dado esterno per esporre i pressacavi.
2. Estrarre la rondella attraverso il pressacavo dall'interno dell'alloggiamento. Utilizzare uno strumento arrotondato.

## Modalità di fissaggio dei pressacavi

1. Fissare il dado sul cavo.
2. Fissare la rondella sul cavo.
3. Passare il cavo attraverso il pressacavo nell'alloggiamento.
4. Passare la rondella attraverso il pressacavo nell'alloggiamento.
5. Fissare il dado. Verificare che sia correttamente sigillato.

## AXIS T93C10 Outdoor Housing



- 1 Pressacavo
- 2 Rondella
- 3 Dado

### Modalità di collegamento dell'alimentazione

1. Collegare il cavo da 24 V CC al morsetto rosso della morsettiera.
2. Collegare il cavo di terra CC (-) al morsetto nero della morsettiera.
3. Serrare saldamente con un piccolo cacciavite spaccato.

### Modalità di collegamento alla rete

1. Collegare il cavo di rete al connettore di rete della telecamera (PoE). Vedere le istruzioni nella Guida all'installazione della telecamera.

### Modalità di prevenzione dei problemi nell'alloggiamento

Per prevenire problemi all'interno dell'alloggiamento, aggiungere il pacchetto di controllo dell'umidità.

1. Rimuovere l'involucro di plastica dal pacchetto di controllo dell'umidità.
2. Posizionare il pacchetto di controllo dell'umidità dietro la telecamera nell'alloggiamento.

## Modalità di rotazione e inclinazione dell'alloggiamento

Per accedere al flusso dal vivo, cercare la telecamera nella rete ed eseguire l'accesso alla pagina Web della telecamera.

Per la regolazione dell'inclinazione:

1. Allentare la vite nell'asse di rotazione-inclinazione.
2. Regolare la posizione dell'alloggiamento.
3. Fissare la vite.

Per la regolazione della rotazione:

1. Allentare le due viti su entrambi i lati del supporto a parete.
2. Regolare la posizione dell'alloggiamento.
3. Fissare le viti.

## Modalità di regolazione dello zoom

1. Accedere alla pagina Web della telecamera.
2. Regolare lo zoom dell'obiettivo ruotando la ghiera dello zoom con le dita.
3. Bloccarlo in posizione con l'elastico fornito.

## Modalità di fissaggio del coperchio

1. Chiudere l'alloggiamento.
2. Assicurarsi di serrare le sette viti anticaduta in modo alternato.



---

## Informazioni di sicurezza

### Livelli di pericolo

#### **▲PERICOLO**

Indica una situazione pericolosa che, se non evitata, provoca morte o lesioni gravi.

#### **▲AVVERTENZA**

Indica una situazione pericolosa che, se non evitata, potrebbe provocare la morte o lesioni gravi.

#### **▲ATTENZIONE**

Indica una situazione pericolosa che, se non evitata, potrebbe provocare lesioni medie o minori.

#### **AVVISO**

Indica una situazione che, se non evitata, potrebbe danneggiare la proprietà.

IT

### Altri livelli di messaggio

#### Importante

Indica informazioni importanti, essenziali per il corretto funzionamento del dispositivo.

#### Nota

Indica informazioni utili che aiutano a ottenere il massimo dal dispositivo.

# AXIS T93C10 Outdoor Housing

---

## Informazioni di sicurezza

### **AWISO**

- Il dispositivo Axis deve essere utilizzato in conformità alle leggi e alle disposizioni locali.
- Conservare il dispositivo Axis in un ambiente asciutto e ventilato.
- Evitare di esporre il dispositivo Axis a urti o pressioni eccessive.
- Non installare il dispositivo su supporti, superfici, pareti o pali instabili.
- Utilizzare solo strumenti applicabili quando si installa il dispositivo Axis. Se si utilizza una forza eccessiva con strumenti non adatti è possibile causare danni al dispositivo.
- Non utilizzare sostanze chimiche, agenti caustici o detergenti aerosol.
- Utilizzare un panno pulito inumidito in acqua pura per la pulizia.
- Utilizzare solo accessori compatibili con le specifiche tecniche del dispositivo. Questi possono essere forniti da Axis o da terze parti. Axis consiglia l'uso dell'apparecchiatura di alimentazione Axis compatibile con il dispositivo.
- Utilizzare solo parti di ricambio fornite o consigliate da Axis.
- Non tentare di riparare il dispositivo da soli. Contattare l'assistenza o il rivenditore Axis per questioni relative alla manutenzione.

## Trasporto

### **AWISO**

- Durante il trasporto del dispositivo Axis, utilizzare l'imballaggio originale o equivalente per evitare danni al dispositivo.

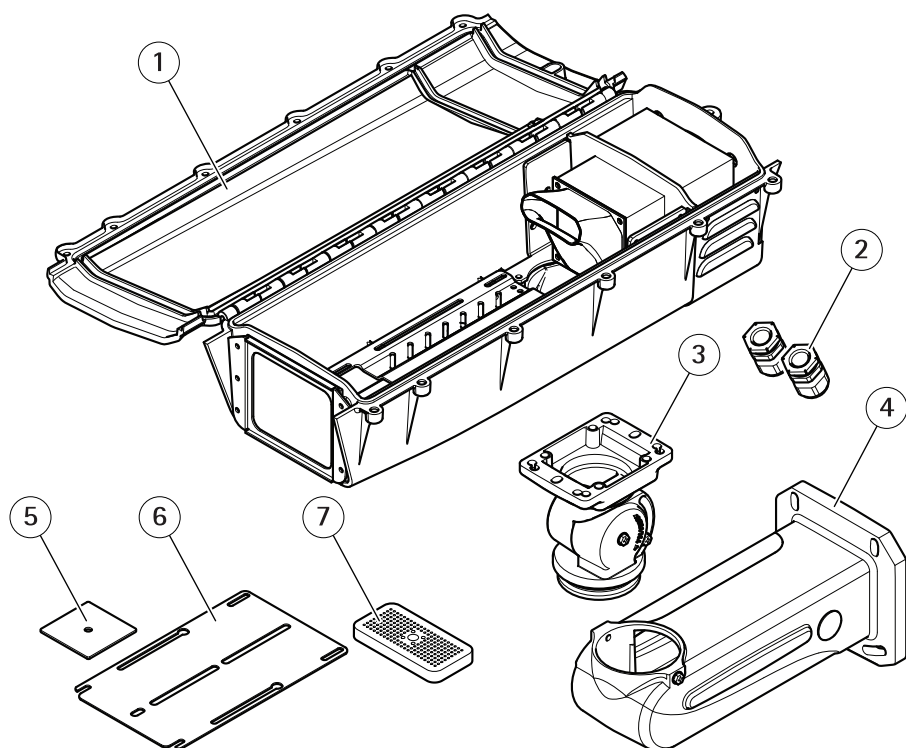


## Contenido del paquete

- Carcasa para Exteriores AXIS T93C10
- Soporte para montaje en pared
- Movimiento horizontal/vertical de la pieza articulada y hardware de montaje
- Hardware de montaje de la cámara
  - 1 guías deslizantes para la cámara
  - 20 tornillos de 9,5 mm
  - 1 arandela divisoria
  - 1 arandela plana
- Separador de montaje de la cámara
- Pack para control de humedad
- Material impreso
  - Guía de instalación (este documento)

# AXIS T93C10 Outdoor Housing

## Información general del producto



- 1 Carcasa
- 2 Prensaestopas
- 3 Pieza articulada
- 4 Soporte de pared
- 5 Separador de la cámara
- 6 Guías deslizantes para la cámara
- 7 Pack de control de la humedad

## Cómo instalar el producto

### Cómo instalar la cámara en la carcasa

1. Abra la carcasa.
2. Extraiga la bolsa de hardware.
3. Afloje y extraiga los dos tornillos traseros que sujetan la guía deslizante de la cámara.
4. Extraiga la guía deslizante para la cámara de la carcasa.
5. Fije la guía deslizante para la cámara a la cámara.

#### **AVISO**

Para cámaras con grandes objetivos, utilice el separador de la cámara entre la cámara y la guía deslizante para la cámara.

6. Conecte el conector de la cámara al cable de alimentación de la cámara de 24 V CC en la carcasa. Consulte las instrucciones de la Guía de instalación de la cámara.
7. Deslice la parte delantera de la guía deslizante para la cámara, con la cámara incorporada, en los dos tornillos fijos delanteros para volver a instalar el trineo de la cámara en la carcasa.
8. Fije la guía deslizante para la cámara con los dos tornillos traseros.

ES

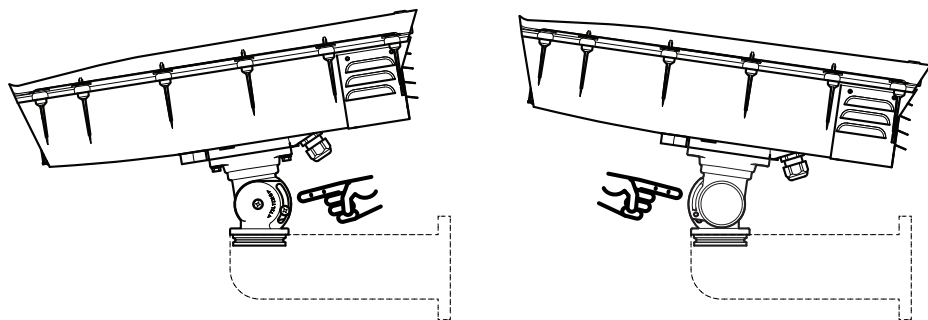
### Cómo instalar la pieza articulada de movimiento horizontal/vertical en la carcasa

1. Fije los tornillos a la pieza articulada.
2. Fija la pieza articulada a la carcasa.
3. Fije los tornillos.

#### **Importante**

- Para orientar la cámara hacia abajo, asegúrese de que la inclinación marcada en la pieza articulada está en el lado del tornillo cautivo de la carcasa.
- Para orientar la cámara hacia arriba, asegúrese de que la inclinación marcada en la pieza articulada está en el lado de la bisagra de la carcasa.

## AXIS T93C10 Outdoor Housing



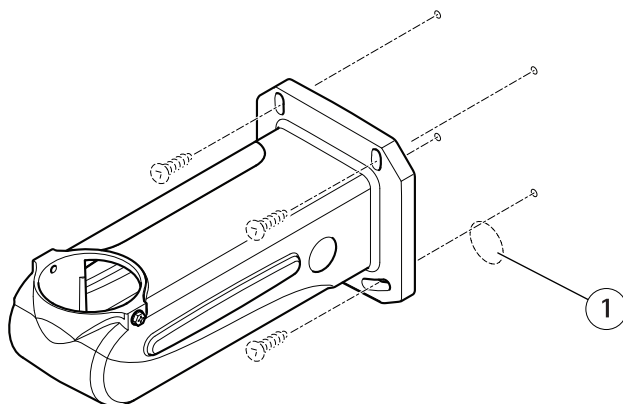
### Cómo instalar el soporte de pared

#### ⚠ ATENCIÓN

Asegúrese de que los tornillos y los tacos sean los adecuados para el material (p. ej. madera, metal, placas de yeso, piedra, etc.) y de que el material sea lo suficientemente resistente como para soportar el peso combinado de la cámara, la carcasa y el soporte de pared.

Para consultar dibujos de dimensiones, visite [www.axis.com](http://www.axis.com).

1. Marque en la pared los orificios para el soporte y taladre los orificios.
2. Fije soporte en la pared.
3. Perfore un orificio en la pared para los cables debajo del soporte de pared.



1 Orificio para cables

## Cómo fijar la carcasa al soporte de pared

1. Afloje los dos tornillos del soporte de pared.
2. Fije la carcasa con la pieza articulada incluida al soporte de pared.
3. Fije los dos tornillos.

## Acerca de los cables y los prensaestopas

Todos los cables de alimentación y de red deben pasarse por los prensaestopas.

### **AVISO**

Para evitar que haya humedad dentro de la carcasa, deben sellarse por completo los puertos de cables, los alimentadores de cables y los conductos. Asegúrese de cumplir los siguientes criterios:

- Utilice un solo cable por cada puerto de prensaestopas.
- Utilice únicamente cables redondos.

ES

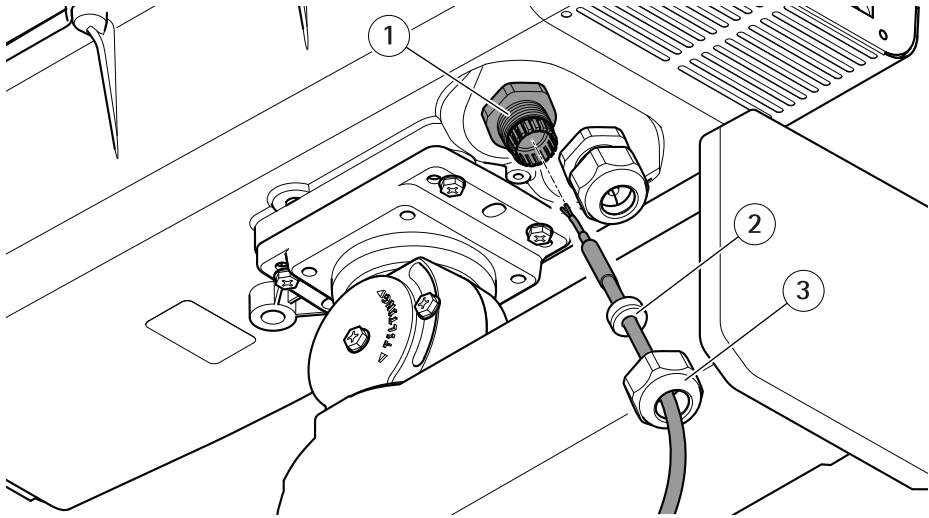
## Cómo preparar los prensaestopas

1. Extraiga la tuerca externa para dejar al descubierto los prensaestopas.
2. Empuje la arandela a través del prensaestopas desde el interior de la carcasa. Utilice una herramienta contundente.

## Cómo fijar los prensaestopas

1. Enrosque la tuerca en el cable.
2. Enrosque la arandela en el cable.
3. Tire del cable a través del prensaestopas hacia la carcasa.
4. Tire de la arandela hacia el prensaestopas.
5. Fije la tuerca. Asegúrese de que está sellada correctamente.

# AXIS T93C10 Outdoor Housing



- 1 Prensaestopas
- 2 Arandela
- 3 Tuerca

## Cómo conectar la alimentación

1. Conecte 24 V CC al terminal rojo del bloque de terminales.
2. Conecte el cable de masa de (-) CC al terminal negro del bloque de terminales.
3. Apriételo fuertemente con un destornillador plano.

## Cómo conectar la red

1. Conecte el cable de red al conector de red (PoE) de la cámara. Consulte las instrucciones de la Guía de instalación de la cámara.

## Cómo prevenir la humedad en la carcasa

Para prevenir la humedad en el interior de la carcasa, agregue el pack de control de humedad

1. Extraiga el paquete de plástico del pack de control de humedad.
2. Coloque el pack de control de humedad detrás de la cámara en la carcasa.

## Cómo realizar el movimiento vertical y horizontal de la carcasa.

Para acceder al flujo de visualización en directo, encuentre la cámara en la red e inicie sesión en la página web de la cámara.

Para ajustar el movimiento vertical:

1. Afloje el tornillo en la pieza articulada de movimiento horizontal/vertical.
2. Ajuste la posición de la carcasa.
3. Fije el tornillo.

Para ajustar el movimiento horizontal:

1. Afloje los dos tornillos de ambos lados del montaje en pared.
2. Ajuste la posición de la carcasa.
3. Fije los tornillos.

## Cómo ajustar el zoom

1. Inicie sesión en la página web de la cámara.
2. Coloque el zoom del objetivo girando el anillo de zoom del objetivo con los dedos.
3. Bloquee la posición de zoom con el elástico facilitado.

## Cómo fijar la tapa

1. Cierre la carcasa.
2. Asegúrese de apretar de forma alterna los siete tornillos cautivos.





## Información de seguridad

### Niveles de peligro

#### **▲PELIGRO**

Indica una situación peligrosa que, si no se evita, provocará lesiones graves o la muerte.

#### **▲ADVERTENCIA**

Indica una situación peligrosa que, si no se evita, puede provocar lesiones graves o la muerte.

#### **▲ATENCIÓN**

Indica una situación peligrosa que, si no se evita, puede provocar lesiones moderadas o leves.

#### **AVISO**

Indica una situación peligrosa que, si no se evita, puede provocar daños materiales.

ES

### Otros niveles de mensaje

#### Importante

Indica información importante que es fundamental para que el producto funcione correctamente.

#### Nota

Indica información útil que ayuda a aprovechar el producto al máximo.

# AXIS T93C10 Outdoor Housing

---

## Instrucciones de seguridad

### **AVISO**

- Este producto de Axis debe utilizarse de acuerdo con las leyes y normativas locales.
- Almacene el producto de Axis en un entorno seco y ventilado.
- Evite la exposición del producto de Axis a choques o a una fuerte presión.
- No instale el producto en postes, soportes, superficies o paredes inestables.
- Utilice solo las herramientas correspondientes cuando instale el producto de Axis. La aplicación de una fuerza excesiva con herramientas eléctricas puede provocar daños en el producto.
- No utilice limpiadores en aerosol, agentes cáusticos ni productos químicos.
- Limpie con un paño limpio humedecido con agua pura.
- Utilice solo accesorios que cumplan con las especificaciones técnicas de su producto. Estos accesorios los puede proporcionar Axis o un tercero. Axis recomienda utilizar un equipo de suministro de alimentación de Axis compatible con su producto.
- Utilice solo piezas de repuesto proporcionadas o recomendadas por Axis.
- No intente reparar el producto usted mismo. Póngase en contacto con el servicio de asistencia técnica de Axis o con su distribuidor de Axis para tratar asuntos de reparación.

## Transporte

### **AVISO**

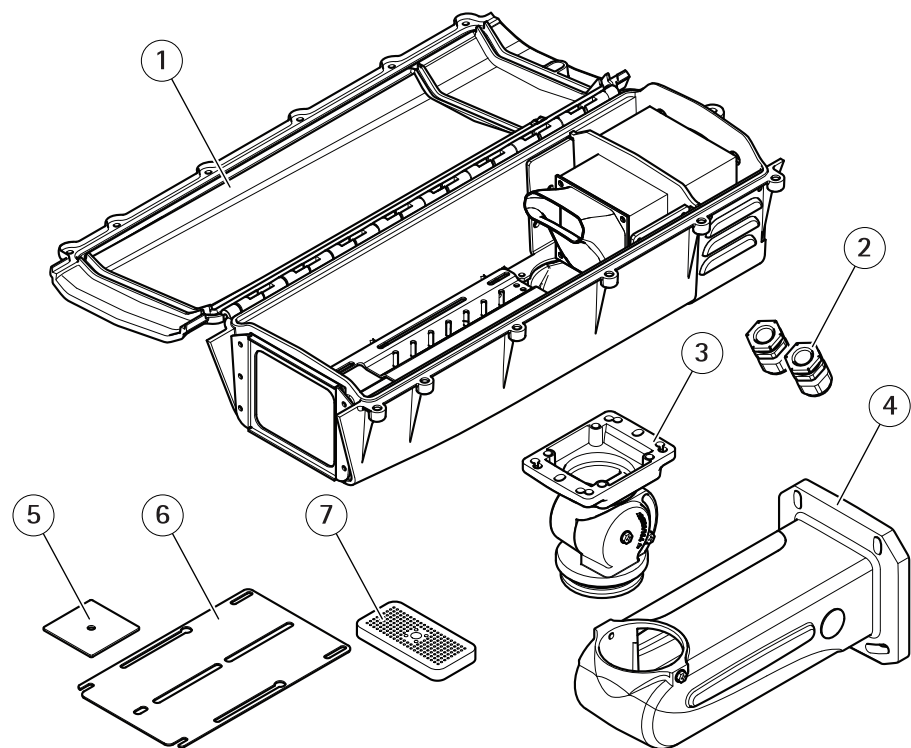
- Cuando transporte el producto de Axis, utilice el embalaje original o un equivalente para evitar daños en el producto.

## パッケージの内容

- AXIS T93C10 屋外ハウジング
- 壁面取付ブラケット
- パン/チルトナックルおよび取付ハードウェア
- カメラ取付ハードウェア
  - カメラスレッド (×1)
  - 9.5 mm ボルト (×20)
  - スプリットワッシャー (×1)
  - フラットワッシャー (×1)
- カメラ取付スペーサー
- 湿度調整パック
- 印刷物
  - インストールガイド (本書)

# AXIS T93C10 Outdoor Housing

## 製品の概要



- 1 ハウジング
- 2 ケーブルグランド
- 3 ナット
- 4 壁面取付ブラケット
- 5 カメラスペーサー
- 6 カメラスレッド
- 7 湿度調整パック

## 製品の取り付け方法

### カメラをハウジングにインストールする方法

1. ハウジングを開きます。
2. ハードウェアポーチを取り外します。
3. カメラスレッドを固定している背面ネジ2本をゆるめて、取り外します。
4. カメラスレッドをハウジングから取り外します。
5. カメラスレッドをカメラに取り付けます。

#### 注記

大型レンズの場合、カメラとカメラスレッドの間にカメラスペーサーを使用します。

6. カメラコネクタをハウジング内の24 V DCカメラ電源ワイヤーに接続します。カメラのインストールガイドの手順を参照してください。
7. カメラを取り付けた状態でカメラスレッドの前面を前面に固定されたネジ2本に向けてスライドさせ、カメラスレッドをハウジングに再度インストールします。
8. カメラスレッドを2本の背面ネジで固定します。

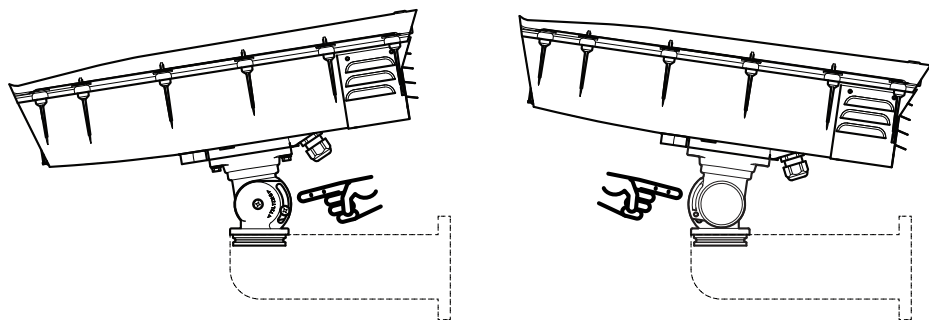
JA

### パン/チルトナックルをハウジングにインストールする方法

1. ナックルにネジを取り付けます。
2. ハウジングにナックルを取り付けます。
3. ネジを取り付けます。

#### 重要

- カメラの下部については、ナックルにマークされたチルトがハウジングの拘束ネジ側にきていることを確認してください。
- カメラの上部については、ナックルにマークされたチルトがハウジングのヒンジ側にきていることを確認してください。



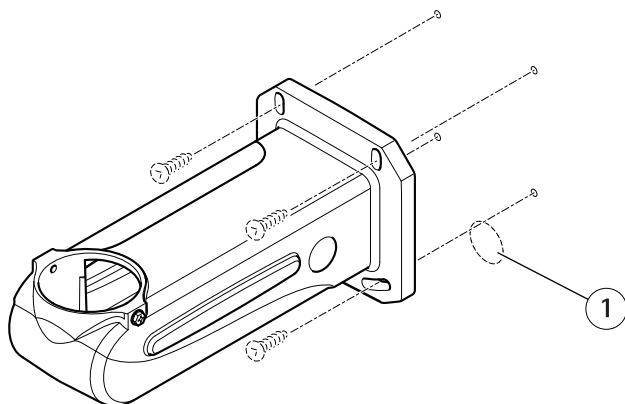
## 壁面取付ブラケットの取り付け方法

### ▲注意

ネジやプラグ類が、壁の材質(木、金属、乾式壁、石)に適しているか確認してください。また、壁の材質が、カメラ、ハウジング、壁面取付ブラケットの合計重量を十分に支えられることを確認してください。

寸法図については、[www.axis.com](http://www.axis.com)を参照してください。

1. 壁面に壁面取付ブラケットの取り付け穴の位置に印を付け、穴を開けます。
2. 壁に壁面取付ブラケットを取り付けます。
3. 壁面取付ブラケットの裏側の壁にケーブル用の穴を開けます。



1 ケーブル孔

## ハウジングの壁面取付ブラケットへの取り付け方法

1. 壁面取付ブラケットの2本のネジをゆるめます。
2. ナックルを取り付けたハウジングを壁面取付ブラケットに取り付けます。
3. 2本のネジを取り付けます。

## ケーブルとケーブルグランドについて

すべての電源とネットワークケーブルをケーブルグランドに通す必要があります。

### 注記

ハウジング内の湿気を防ぐため、ケーブルポート、ワイヤーフィード、コンジットは完全に密封する必要があります。以下の基準を満たしていることを確認してください。

- 1つのケーブルグランドポートにつきケーブルは1本のみ使用してください。
- 丸型ケーブルのみを使用してください。

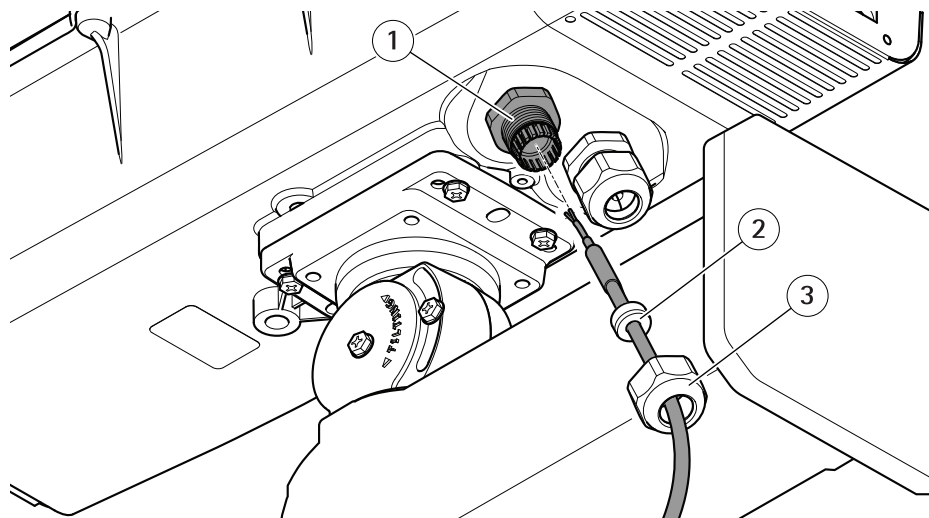
## ケーブルグランドの準備方法

JA

1. 外部のナットを取り外し、ケーブルグランドを露出します。
2. ハウジングの内部からケーブルグランドを通してワッシャーを押し出します。鋭利でない道具を使用してください。

## ケーブルグランドの接続方法

1. ケーブルにナットを装着します。
2. ケーブルにワッシャーを装着します。
3. ケーブルをケーブルグランドに通してハウジングに装着します。
4. ワッシャーをケーブルグランドに装着します。
5. ナットを取り付けます。正しく密封されていることを確認してください。



- 1 ケーブルグランド
- 2 ワッシャー
- 3 ナット

## 電源の接続方法

1. 24 V DCをターミナルブロックの赤ターミナルに接続します。
2. (-) DCアース線をターミナルブロックの黒ターミナルに接続します。
3. 小さなマイナスドライバーでしっかりと締めます。

## ネットワークの接続方法

1. ネットワークケーブルをカメラのネットワークコネクタ (PoE) に接続します。カメラのインストールガイドの手順を参照してください。

## ハウジング内の湿気を防ぐ方法

ハウジング内の湿気を防ぐには、湿度調整パックを追加してください。

1. 湿度調整パックのビニールパッケージを取り外します。
2. ハウジング内のカメラの裏側に湿度調整パックを配置します。



## ハウジングをパンおよびチルトする方法

ライブビューストリームにアクセスするには、ネットワーク上でカメラを見つけ、カメラのWebページにログインします。

### チルト調整方法

1. パン/チルトナックルのネジを緩めます。
2. ハウジングの位置を調整します。
3. ネジを取り付けます。

### パン調整方法

1. 壁面取付ブラケットの両側の2本のネジをゆるめます。
2. ハウジングの位置を調整します。
3. ネジを取り付けます。

## ズームの調整方法

1. カメラのWebページにログインします。
2. 指でズームリングを回してレンズをズームします。
3. 提供されているエラスティックでズーム位置をロックします。

JA

## 蓋の固定方法

1. ハウジングを閉じます。
2. 7本の拘束ネジを交互に回して締めるようにします。



## 安全情報

### 危険レベル

#### ▲危険

回避しない場合、死亡または重傷につながる危険な状態を示します。

#### ▲警告

回避しない場合、死亡または重傷につながるおそれのある危険な状態を示します。

#### ▲注意

回避しない場合、軽傷または中程度の怪我につながるおそれのある危険な状態を示します。

#### 注記

回避しない場合、器物の破損につながるおそれのある状態を示します。

### その他のメッセージレベル

#### 重要

製品を正しく機能させるために不可欠な重要情報を示します。

#### 注意

製品を最大限に活用するために役立つ有用な情報を示します。

## 安全手順

### 注記

- 本製品は、お使いになる地域の法律や規制に準拠して使用してください。
- 本製品は乾燥した換気のよい環境に保管してください。
- 本製品に衝撃または強い圧力を加えないでください。
- 本製品を不安定なポール、ブラケット、表面、または壁に設置しないでください。
- 本製品を設置する際には、適切な工具のみを使用してください。電動工具を使用して過剰な力をかけると、製品が損傷することがあります。
- 化学薬品、腐食剤、噴霧式クリーナーは使用しないでください。
- 清掃には、きれいな水に浸した清潔な布を使用してください。
- 製品の技術仕様に準拠したアクセサリのみを使用してください。これらのアクセサリは、Axisまたはサードパーティから入手できます。Axisは、ご使用の製品と互換性のあるAxis給電ネットワークスイッチの使用を推奨します。
- Axisが提供または推奨する交換部品のみを使用してください。
- 製品を自分で修理しないでください。修理については、Axisサポートまたは販売代理店にお問い合わせください。

## 輸送

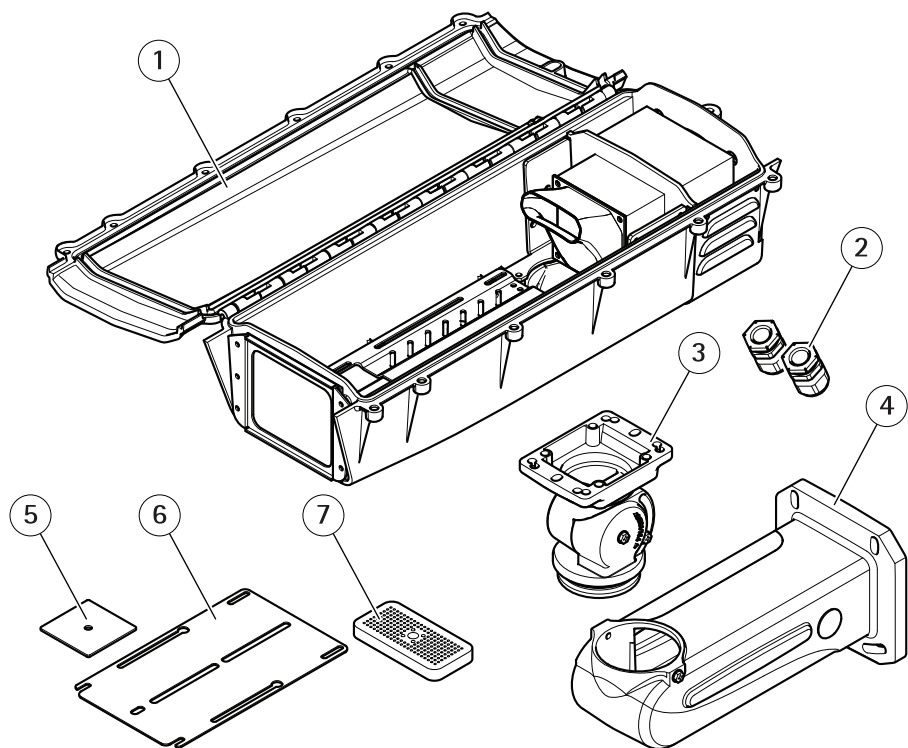
### 注記

- 本製品を運搬する際は、製品が損傷しないよう、元の梱包が同等の梱包を使用してください。

## 包装内容

- AXIS T93C10 室外防护罩
- 墙挂安装支架
- 云台转向节和安装硬件
- 摄像机安装硬件
  - 1 个摄像机托架
  - 20 个 3/8 英寸 ( 9.5 毫米 ) 的螺栓
  - 1 个开口垫圈
  - 1 个平垫圈
- 摄像机安装垫片
- 湿度控制组件
- 印刷材料
  - 安装指南 ( 本文档 )

## 产品概述



- 1 防护罩
- 2 电缆套管
- 3 转向节
- 4 墙挂支架
- 5 摄像机垫片
- 6 摄像机托架
- 7 湿度控制组件

## 如何安装产品

### 如何将摄像机安装在防护罩中

1. 打开防护罩。
2. 拆开硬件小袋。
3. 拧松并拆下固定摄像机托架的两个后部螺丝。
4. 从防护罩上拆下摄像机托架。
5. 将摄像机托架连接至摄像机。

#### 注意

对于配备了较大镜头的摄像机，请在摄像机和摄像机托架之间使用摄像机垫片。

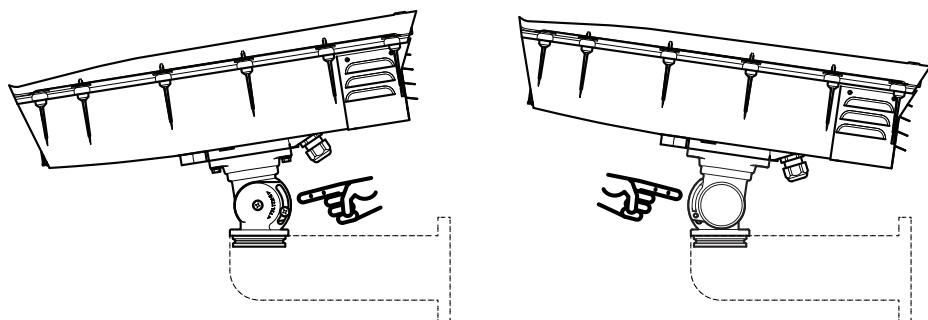
6. 将摄像机连接器连接至防护罩中的 24 V DC 摄像机电源线。请参见摄像机安装指南中的说明。
7. 对于附着式摄像机，将摄像机托架的前部滑进两个前部固定螺丝中，以将摄像机托架重新安装在防护罩中。
8. 使用两个后部螺丝紧固摄像机托架。

### 如何将云台转向节安装至防护罩

1. 将螺丝连接至转向节。
2. 将转向节连接至防护罩。
3. 连接螺丝。

#### 重要

- 要使摄像机位置向下，请确保转向节上标记的“垂直转动”在防护罩的防松螺丝侧。
- 要使摄像机位置向上，请确保转向节上标记的“垂直转动”在防护罩的铰链侧。



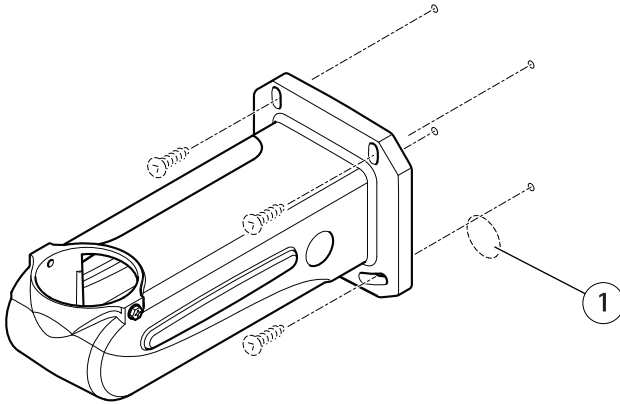
## 如何安装墙挂支架

### 小心

请确保螺丝和塞子适用于材质（如木质、金属、干壁、石头）且材质强度足以支撑摄像机、防护罩和墙挂支架的总重量。

有关尺寸图的信息，请参见 [www.axis.com](http://www.axis.com)。

1. 在墙壁上标记用于墙挂支架的孔并钻孔。
2. 将墙挂支架连接至墙壁。
3. 在墙壁中为电缆钻一个孔，且孔位于墙挂支架下方。



1 电缆孔

## 如何将防护罩连接至墙挂支架

1. 拧松墙挂支架上的两个螺丝。
2. 将带有附着式转向节的防护罩连接至墙挂支架。
3. 连接两个螺丝。

## 关于电缆和电缆套管

电源电缆和网络电缆都必须穿过电缆套管进行布线。

### 注意

为了避免防护罩内受潮，必须完全密封电缆端口、馈线和导线管。请确保满足以下标准：

- 每个电缆套管端口仅使用一根电缆。



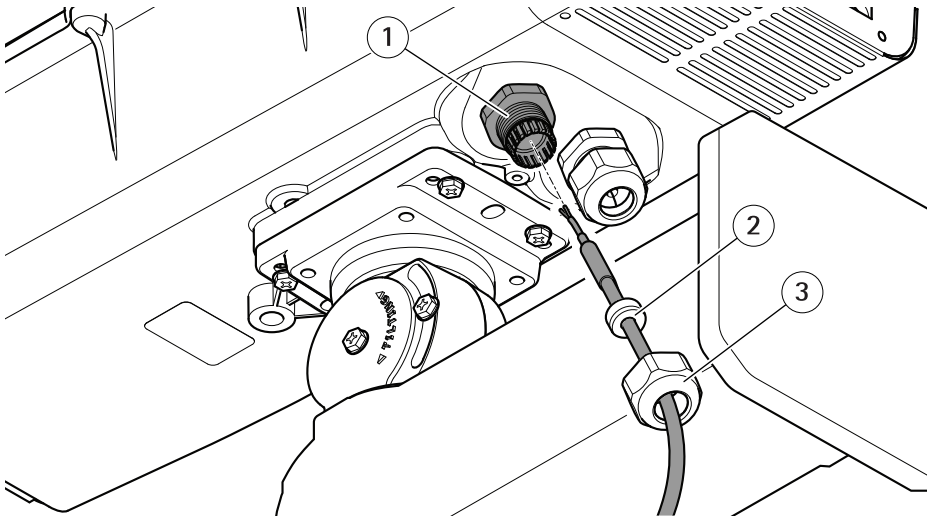
- 仅使用圆形电缆。

## 如何准备电缆套管

1. 拆下外部螺母以露出电缆套管。
2. 从防护罩内部开始，将垫圈穿过电缆套管从而将其推出。使用一个钝工具。

## 如何连接电缆套管

1. 将电缆穿过螺母。
2. 将电缆穿过垫圈。
3. 将电缆穿过电缆套管，进入防护罩。
4. 将垫圈拉进电缆套管。
5. 连接螺母。请确保其已正确密封。



- 1 电缆套管
- 2 垫圈
- 3 螺母

## 如何连接电源

1. 将 24 V DC 连接至接线盒的红色端子。
2. 将 (-) DC 接地线连接至接线盒的黑色端子。

3. 使用一把较小的平头螺丝刀牢固拧紧。

## 如何连接网络

1. 将网络电缆连接至摄像机的网络连接器 (PoE)。请参见摄像机安装指南中的说明。

## 如何避免防护罩内受潮

要避免防护罩内受潮，则加装湿度控制组件。

1. 拆开湿度控制组件上的塑料封装。
2. 将湿度控制组件置于防护罩中摄像机的后方。

## 如何水平转动和垂直转动防护罩

要访问实时取景视频流，请在网络上查找摄像机并登录摄像机网页。

对于垂直转动调节操作：

1. 拧松云台转向节中的螺丝。
2. 将防护罩调节至正确位置。
3. 连接螺丝。

对于水平转动调节操作：

1. 拧松墙挂支架两侧上的两个螺丝。
2. 将防护罩调节至正确位置。
3. 连接螺丝。

## 如何调节变焦

1. 登录摄像机网页。
2. 通过用您的手指转动镜头上的变焦环以调节镜头焦距。
3. 使用提供的橡胶圈锁定变焦位置。

## 如何紧固盖子

1. 关闭防护罩。
2. 请确保依次拧紧七个防松螺丝。

## 安全信息

### 危险等级

#### ▲危险

表示如果不避免则会导致死亡或严重伤害的危险情况。

#### ▲警告

表示如果不避免则可能导致死亡或严重伤害的危险情况。

#### ▲小心

表示如果不避免则可能导致轻微或中度伤害的危险情况。

#### 注意

表示如果不避免则可能导致财产损失的情况。

### 其他消息等级

#### 重要

表示产品正常工作所必需的重要信息。

#### 备注

表示有助于充分利用产品的有用信息。

## 安全说明

### 注意

- 使用安讯士产品时应遵守当地法律和法规。
- 在干燥通风的环境中存放安讯士产品。
- 避免将安讯士产品暴露在冲击或高压环境下。
- 请勿将产品安装在不稳固的立杆、支架、表面或墙壁上。
- 安装安讯士产品时，仅使用适用的工具。使用电动工具过度施力可能导致产品损坏。
- 请勿使用化学品、腐蚀剂或气雾剂。
- 使用蘸纯净水的干净布进行清洁。
- 仅使用符合产品技术规格的附件。这些附件可由安讯士或第三方提供。安讯士推荐使用与产品兼容的安讯士电源设备。
- 仅使用安讯士提供或推荐的备件。
- 请勿尝试自行维修产品。有关服务事项，请联系安讯士支持部门或安讯士经销商。

## 运输

### 注意

- 安讯士产品运输途中，应使用其原包装或等效包装，以防对产品造成损坏。



Installation Guide

AXIS T93C10 Outdoor Housing

© 2017 - 2020 Axis Communications AB

Ver. M2.2

Date: July 2020

Part No. 2193293