

AXIS P12 Network Camera Series

AXIS P1204 Network Camera

AXIS P1214 Network Camera

AXIS P1214–E Network Camera

AXIS P1224–E Network Camera

Installation Guide

English

EN

France: Français

FR

Deutschland: Deutsch

DE

Italia: Italiano

IT

España: Español

ES

日本: 日本語

JA

中文: 简体中文

ZH

Legal Considerations

Video surveillance can be regulated by laws that vary from country to country. Check the laws in your local region before using this product for surveillance purposes.

This product includes one (1) H.264 decoder license. To purchase further licenses, contact your reseller.

Liability

Every care has been taken in the preparation of this document. Please inform your local Axis office of any inaccuracies or omissions. Axis Communications AB cannot be held responsible for any technical or typographical errors and reserves the right to make changes to the product and manuals without prior notice. Axis Communications AB makes no warranty of any kind with regard to the material contained within this document, including, but not limited to, the implied warranties of merchantability and fitness for a particular purpose. Axis Communications AB shall not be liable nor responsible for incidental or consequential damages in connection with the furnishing, performance or use of this material. This product is only to be used for its intended purpose.

Intellectual Property Rights

Axis AB has intellectual property rights relating to technology embodied in the product described in this document. In particular, and without limitation, these intellectual property rights may include one or more of the patents listed at www.axis.com/patent.htm and one or more additional patents or pending patent applications in the US and other countries.

This product contains licensed third-party software. See the menu item "About" in the product's user interface for more information.

This product contains source code copyright Apple Computer, Inc., under the terms of Apple Public Source License 2.0 (see www.opensource.apple.com/aps/). The source code is available from <https://developer.apple.com/bonjour/>

Equipment Modifications

This equipment must be installed and used in strict accordance with the instructions given in the user documentation. This equipment contains no user-serviceable components. Unauthorized equipment changes or modifications will invalidate all applicable regulatory certifications and approvals.

Trademark Acknowledgments

AXIS COMMUNICATIONS, AXIS, ETRAX, ARTPEC and VAPIX are registered trademarks or trademark applications of Axis AB in various jurisdictions. All other company names and products are trademarks or registered trademarks of their respective companies.


Apple, Boa, Apache, Bonjour, Ethernet, Internet Explorer, Linux, Microsoft, Mozilla, Real, SMPTE, QuickTime, UNIX, Windows, Windows Vista and WWW are registered trademarks of the respective holders. Java and all Java-based trademarks and logos are trademarks or registered trademarks of Oracle and/or its affiliates. UPnP™ is a certification mark of the UPnP™ Implementers Corporation.

SD, SDHC and SDXC are trademarks or registered trademarks of SD-3C, LLC in the United States, other countries or both. Also, miniSD, microSD,

miniSDHC, microSDHC, microSDXC are all trademarks or registered trademarks of SD-3C, LLC in the United States, other countries or both.

Regulatory Information

Europe

 This product complies with the applicable CE marking directives and harmonized standards:

- Electromagnetic Compatibility (EMC) Directive 2014/30/EU. See *Electromagnetic Compatibility (EMC) on page 4.*
- Low Voltage (LVD) Directive 2014/35/EU. See *Safety on page 5.*
- Restrictions of Hazardous Substances (RoHS) Directive 2011/65/EU. See *Disposal and Recycling on page 5.*

A copy of the original declaration of conformity may be obtained from Axis Communications AB. See *Contact Information on page 5.*

Electromagnetic Compatibility (EMC)

This equipment has been designed and tested to fulfill applicable standards for:

- Radio frequency emission when installed according to the instructions and used in its intended environment.
- Immunity to electrical and electromagnetic phenomena when installed according to the instructions and used in its intended environment.

USA

This equipment has been tested using a shielded network cable (STP) and found to comply with the limits for a Class B digital device, pursuant to part 15 of the FCC rules. These limits are designed to provide reasonable protection against harmful interference in a residential installation. This equipment generates, uses and can radiate radio frequency energy and, if not installed and used in accordance with the instructions, may cause harmful interference to radio communications. However, there is no guarantee that interference will not occur in a particular installation. If this equipment does cause harmful interference to radio or television reception, which can be determined by turning the equipment off and on, the user is encouraged to try to correct the interference by one or more of the following measures:

- Reorient or relocate the receiving antenna.
- Increase the separation between the equipment and receiver.
- Connect the equipment into an outlet on a circuit different from that to which the receiver is connected.
- Consult the dealer or an experienced radio/TV technician for help.

The product shall be connected using a shielded network cable (STP) that is properly grounded.

Canada

This digital apparatus complies with CAN ICES-3 (Class B). The product shall be connected using a shielded network cable (STP) that is properly grounded. Cet appareil numérique est conforme à la norme CAN NMB-3 (classe B). Le produit doit être connecté à l'aide d'un câble réseau blindé (STP) qui est correctement mis à la terre.

Europe

This digital equipment fulfills the requirements for RF emission according to the Class B limit of EN 55022. The product shall be connected using a shielded network cable (STP) that is properly grounded.

This product fulfills the requirements for immunity according to EN 61000-6-1 residential, commercial and light-industrial environments.

This product fulfills the requirements for immunity according to EN 55024 office and commercial environments.

Australia/New Zealand

This digital equipment fulfills the requirements for RF emission according to the Class B limit of AS/NZS CISPR 22. The product shall be connected using a shielded network cable (STP) that is properly grounded.

Japan

この装置は、クラスB情報技術装置です。この装置は、家庭環境で使用することを目的としていますが、この装置がラジオやテレビジョン受信機に近接して使用されると、受信障害を引き起こすことがあります。取扱説明書に従って正しい取り扱いをして下さい。本製品は、シールドネットワークケーブル(STP)を使用して接続してください。また適切に接地してください。

Korea

이 기기는 가정용(B급) 전자파적합기기로서 주된 지역에서 사용하는 것을 목적으로 하며, 모든 지역에서 사용할 수 있습니다. 적절히 접지된 STP (shielded twisted pair) 케이블을 사용하여 제품을 연결하십시오.

Safety

This product complies with IEC/EN/UL 60950-1, Safety of Information Technology Equipment. If its connecting cables are routed outdoors, the product shall be grounded either through a shielded network cable (STP) or other appropriate method.

AXIS P1214-E/AXIS P1224-E: This product complies with IEC/EN/UL 60950-1 and IEC/EN/UL 60950-22, Safety of Information Technology Equipment. The product shall be grounded either through a shielded network cable (STP) or other appropriate method.

The power supply used with this product shall fulfill the requirements for Safety Extra Low Voltage (SELV) and Limited Power Source (LPS) according to IEC/EN/UL 62368-1 or IEC/EN/UL 60950-1.

Disposal and Recycling

When this product has reached the end of its useful life, dispose of it according to local laws and regulations. For information about your nearest designated collection point, contact your local authority responsible for waste disposal. In accordance with local legislation, penalties may be applicable for incorrect disposal of this waste.

Europe



■ This symbol means that the product shall not be disposed of together with household or commercial waste. Directive 2012/19/EU on waste electrical and electronic equipment (WEEE) is applicable in the European Union member states. To prevent potential harm to human health and the environment,

the product must be disposed of in an approved and environmentally safe recycling process. For information about your nearest designated collection point, contact your local authority responsible for waste disposal. Businesses should contact the product supplier for information about how to dispose of this product correctly.

This product complies with the requirements of Directive 2011/65/EU on the restriction of the use of certain hazardous substances in electrical and electronic equipment (RoHS).

China



This product complies with the requirements of the legislative act Administration on the Control of Pollution Caused by Electronic Information Products (ACPEIP).

Contact Information

Axis Communications AB
Emdalavägen 14
223 69 Lund
Sweden

Tel: +46 46 272 18 00

Fax: +46 46 13 61 30

www.axis.com

Support

Should you require any technical assistance, please contact your Axis reseller. If your questions cannot be answered immediately, your reseller will forward your queries through the appropriate channels to ensure a rapid response. If you are connected to the Internet, you can:

- download user documentation and software updates
- find answers to resolved problems in the FAQ database. Search by product, category, or phrase
- report problems to Axis support staff by logging in to your private support area
- chat with Axis support staff
- visit Axis Support at www.axis.com/techsup/

Learn More!

Visit Axis learning center www.axis.com/academy/ for useful trainings, webinars, tutorials and guides.

Safety Information

Read through this Installation Guide carefully before installing the product. Keep the Installation Guide for future reference.

Hazard Levels

▲DANGER

Indicates a hazardous situation which, if not avoided, will result in death or serious injury.

▲WARNING

Indicates a hazardous situation which, if not avoided, could result in death or serious injury.

▲CAUTION

Indicates a hazardous situation which, if not avoided, could result in minor or moderate injury.

NOTICE

Indicates a situation which, if not avoided, could result in damage to property.

Other Message Levels

Important

Indicates significant information which is essential for the product to function correctly.

Note

Indicates useful information which helps in getting the most out of the product.

AXIS P12 Network Camera Series

Safety Instructions

NOTICE

- The Axis product shall be used in compliance with local laws and regulations.
- To use the Axis product outdoors, or in similar environments, it shall be installed in an approved outdoor housing.
- Store the Axis product in a dry and ventilated environment.
- Avoid exposing the Axis product to shocks or heavy pressure.
- Do not install the product on unstable brackets, surfaces or walls.
- Use only applicable tools when installing the Axis product. Using excessive force with power tools could cause damage to the product.
- Do not use chemicals, caustic agents, or aerosol cleaners.
- Use a clean cloth dampened with pure water for cleaning.
- Use only accessories that comply with the technical specification of the product. These can be provided by Axis or a third party.
- Use only spare parts provided by or recommended by Axis.
- Do not attempt to repair the product yourself. Contact Axis support or your Axis reseller for service matters.

Transportation

NOTICE

- When transporting the Axis product, use the original packaging or equivalent to prevent damage to the product.

Battery

The Axis product uses a 3.0 V BR/CR1220 lithium battery as the power supply for its internal real-time clock (RTC). Under normal conditions this battery will last for a minimum of five years.

Low battery power affects the operation of the RTC, causing it to reset at every power-up. When the battery needs replacing, a log message will appear in the product's server report. For more information about the server report, see the product's setup pages or contact Axis support.

The battery should not be replaced unless required, but if the battery does need replacing, contact Axis support at www.axis.com/techsup for assistance.

Lithium coin cell 3.0 V batteries contain 1,2-dimethoxyethane; ethylene glycol dimethyl ether (EGDME), CAS no. 110-71-4.

⚠ WARNING

- Risk of explosion if the battery is incorrectly replaced.

AXIS P12 Network Camera Series

- Replace only with an identical battery or a battery which is recommended by Axis.
- Dispose of used batteries according to local regulations or the battery manufacturer's instructions.

EN

Installation Guide

This Installation Guide provides instructions for installing AXIS P12 Network Camera on your network. For other aspects of using the product, see the User Manual available at www.axis.com

Installation Steps

1. Make sure the package contents, tools and other materials necessary for the installation are in order. See *page 11*.
2. Study the hardware overview. See *page 12*.
3. Study the specifications. See *page 17*.
4. Install the hardware. See *page 19*.
5. Access the product. See *page 28*.

Package Contents

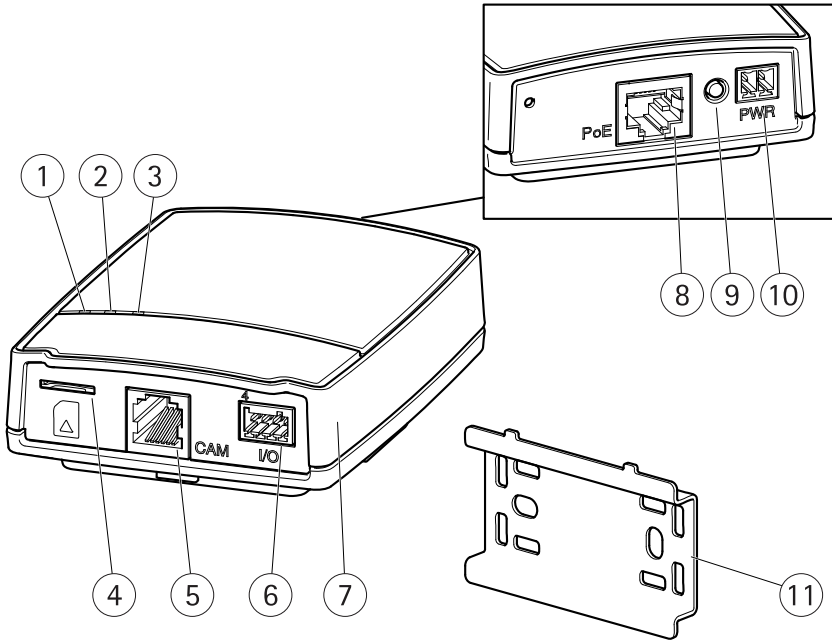
- Network camera
 - Main unit
 - Sensor unit AXIS P1204/AXIS P1214/AXIS P1214-E/AXIS P1224-E
- Connectors
 - 2-pin power terminal block
 - 4 pin I/O connector block
- Mounting accessories
 - All variants: Mounting rail
 - AXIS P1204: Straight mounting bracket, angled mounting bracket, cover
 - AXIS P1214/AXIS P1224-E: Mounting bracket
 - AXIS P1214-E: Mounting bracket, outdoor housing
- Printed materials
 - AXIS P12 Series Installation Guide (this document)
 - AVHS Authentication key

Recommended Tools

- Drill – if using the hard ceiling mount
- Knife – if using the drop ceiling mount
- Torx screwdriver T30 – if using a compatible bracket from AXIS T91A Mounting Accessories

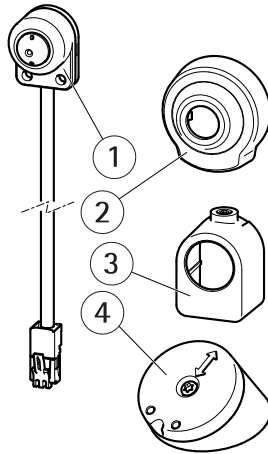
AXIS P12 Network Camera Series

Hardware Overview



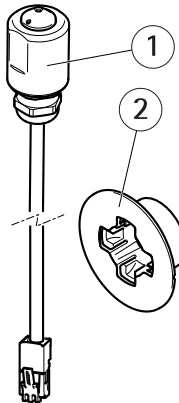
- 1 Power indicator LED
- 2 Status indicator LED
- 3 Network indicator LED
- 4 microSD card slot
- 5 Camera connector
- 6 I/O connector
- 7 Main unit
- 8 Network connector (PoE)
- 9 Control button
- 10 Power connector
- 11 Mounting rail

AXIS P1204 Sensor Unit and Included Accessories



- 1 *AXIS P1204 sensor unit*
- 2 *Cover*
- 3 *Straight mounting bracket*
- 4 *Angled mounting bracket*

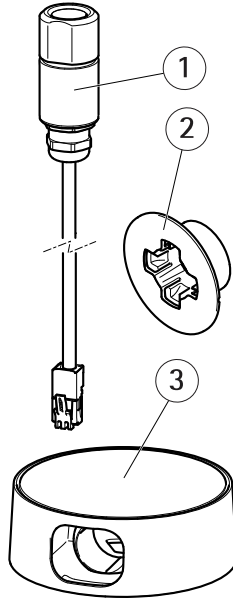
AXIS P1214 Sensor Unit and Included Accessories



- 1 *AXIS P1214 sensor unit*
- 2 *Mounting bracket*

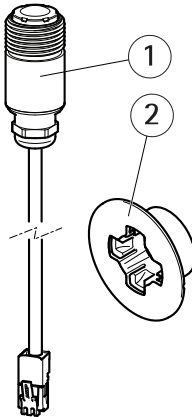
AXIS P12 Network Camera Series

AXIS P1214-E Sensor Unit and Included Accessories



- 1 *AXIS P1214-E Sensor Unit*
- 2 *Mounting bracket*
- 3 *Outdoor Housing*

AXIS P1224-E Sensor Unit and Included Accessories



- 1 *AXIS P1224-E sensor unit*
- 2 *Mounting bracket*

LED Indicators

LED	Color	Indication
Net- work	Green	Steady for connection to a 100 MBit/s network. Flashes for network activity.
	Amber	Steady for connection to a 10 MBit/s network. Flashes for network activity.
	Unlit	No network connection.
Status	Green	Steady green for normal operation.
	Amber	Steady during startup and when restoring settings.
	Red	Slow flash for failed upgrade.
	Unlit	No connection between sensor unit and main unit.
Power	Green	Normal operation.
	Amber	Flashes green/amber during firmware upgrade.

Note

- The Status LED can be configured to be unlit during normal operation. To configure, go to **Setup > System Options > Ports & Devices > LED**. See the online help for more information.

AXIS P12 Network Camera Series

- The Status LED can be configured to flash while an event is active.
- The Status LED can be configured to flash for identifying the unit. Go to **Setup > System Options > Maintenance** .

Connectors and Buttons

For specifications and operating conditions, see *page 17*.

Network Connector

RJ45 Ethernet connector with Power over Ethernet (PoE).

NOTICE

The product shall be connected using a shielded network cable (STP). All cables connecting the product to the network shall be intended for their specific use. Make sure that the network devices are installed in accordance with the manufacturer's instructions. For information about regulatory requirements, see *Electromagnetic Compatibility (EMC) on page 4*.

I/O Connector

Use with external devices in combination with, for example, tampering alarms, motion detection, event triggering, time lapse recording and alarm notifications. In addition to the 0 V DC reference point and power (DC output), the I/O connector provides the interface to:

- **Digital output** – For connecting external devices such as relays and LEDs. Connected devices can be activated by the VAPIX® Application Programming Interface, output buttons on the Live View page or by an Action Rule. The output will show as active (shown under **System Options > Ports & Devices**) if the alarm device is activated.
- **Digital input** – An alarm input for connecting devices that can toggle between an open and closed circuit, for example: PIRs, door/window contacts, glass break detectors, etc. When a signal is received the state changes and the input becomes active (shown under **System Options > Ports & Devices**).

Power Connector

2-pin terminal block for power input. Use a Safety Extra Low Voltage (SELV) compliant limited power source (LPS) with either a rated output power limited to ≤ 100 W or a rated output current limited to ≤ 5 A.

RJ12 Connector

The RJ12 connector is used for connecting the sensor unit to the main unit.

For information on how to shorten the sensor unit cable see *Shorten Sensor Unit Cable on page 27*.

Control Button

For location of the control button, see *Hardware Overview on page 12*.

The control button is used for:

- Resetting the product to factory default settings. See *page 28*.
- Connecting to an AXIS Video Hosting System service or AXIS Internet Dynamic DNS Service. For more information about these services, see the User Manual.

SD Card Slot

NOTICE

- Risk of damage to SD card. Do not use sharp tools, metal objects or excessive force when inserting or removing the SD card. Use your fingers to insert and remove the card.
- Risk of data loss and corrupted recordings. Do not remove the SD card while the product is running. Disconnect power or unmount the SD card from the Axis product's webpages before removal.

This product supports microSD/microSDHC/microSDXC cards (not included).

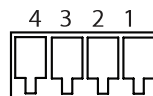
For SD card recommendations, see www.axis.com

Specifications

Connectors

I/O Connector

4-pin terminal block



For an example diagram, see *Connection Diagrams on page 19*.

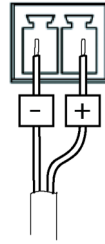
Function	Pin	Notes	Specifications
0 V DC (-)	1		0 V DC
DC output	2	Can be used to power auxiliary equipment. Note: This pin can only be used as power out.	3.3 V DC Max load = 50 mA

AXIS P12 Network Camera Series

Digital input	3	Connect to pin 1 to activate, or leave floating (unconnected) to deactivate	0 to max 40 V DC
Digital output	4	Connected to pin 1 when activated, floating (unconnected) when deactivated. If used with an inductive load, e.g. a relay, a diode must be connected in parallel with the load, for protection against voltage transients.	0 to max 40 V DC, open drain, 100 mA

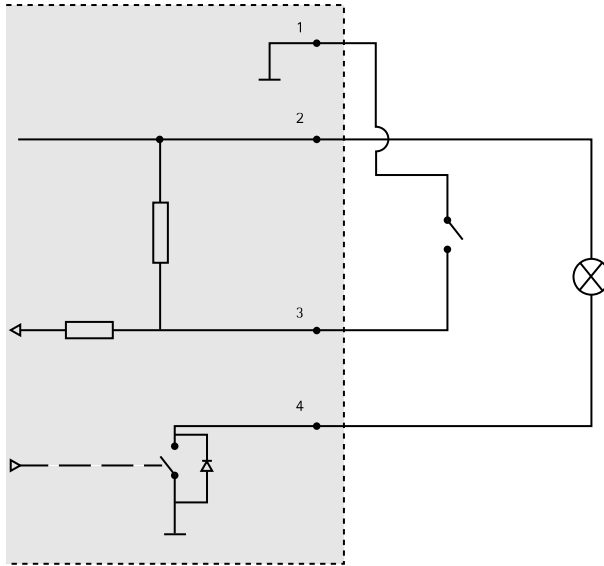
Power Connector

2-pin terminal block for DC power input. Use a Safety Extra Low Voltage (SELV) compliant limited power source (LPS) with either a rated output power limited to $\leq 100\text{ W}$ or a rated output current limited to $\leq 5\text{ A}$.



Connection Diagrams

I/O Connector



- 1 0 VDC (-)
- 2 DC output 3.3 V, max 50 mA
- 3 Digital input 0 to max 40 VDC
- 4 Digital output 0 to max 40 VDC, open drain, 100 mA

Install the Hardware

Important

The casing of the main unit is not approved for outdoor use - the product may only be installed in indoor environments.

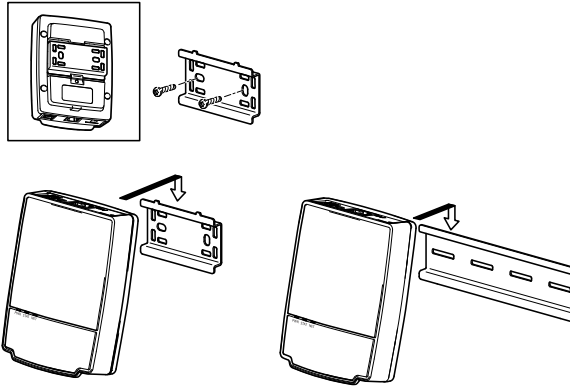
Make a note of the serial number (S/N) located on the product label. This number may be required during installation.

The main unit can be mounted on a DIN rail or using the supplied mounting rail.

1. If using the mounting rail, fasten it with screws to the wall or ceiling, using screws and plugs appropriate for the wall/ceiling material. Note the direction of the two tabs on the rail, the tabs align with the upper side of the main unit.

AXIS P12 Network Camera Series

2. Attach the upper end of the main unit to the DIN rail or the mounting rail and snap the lower end into place.
3. Proceed with the instructions for the appropriate sensor unit below.



How to Install AXIS P1204 Sensor Unit

Important

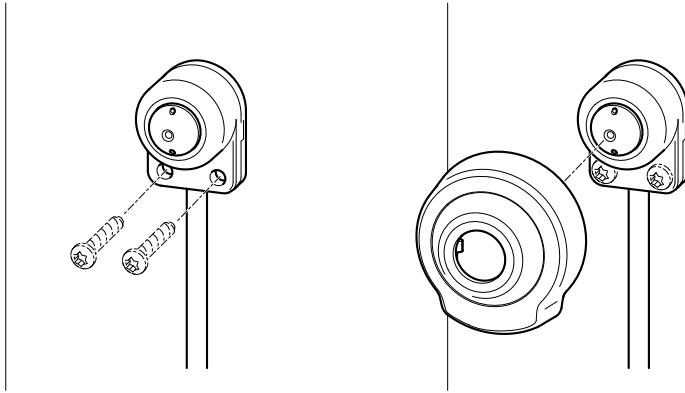
The casing of the AXIS P1204 sensor unit is not approved for outdoor use - the product may only be installed in indoor environments.

The AXIS P1204 can be mounted in three different ways:

- Flat on any surface.
- Angled on any surface, using the angled fastening bracket.
- Covertly behind a thin material, for example a metal sheet in a door post or an ATM machine.

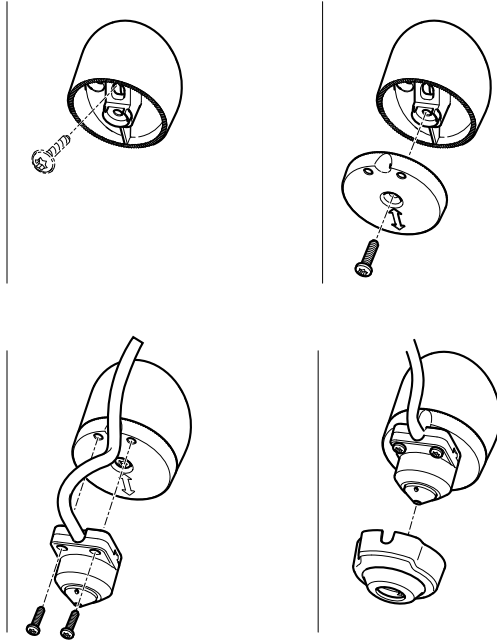
Flat Surface Installation

1. Fasten the camera to the wall or ceiling, using screws and plugs appropriate for the wall/ceiling material.
2. Snap on the cover.
3. Proceed to Connect the cables, see *Connect the Cables* on page 26.



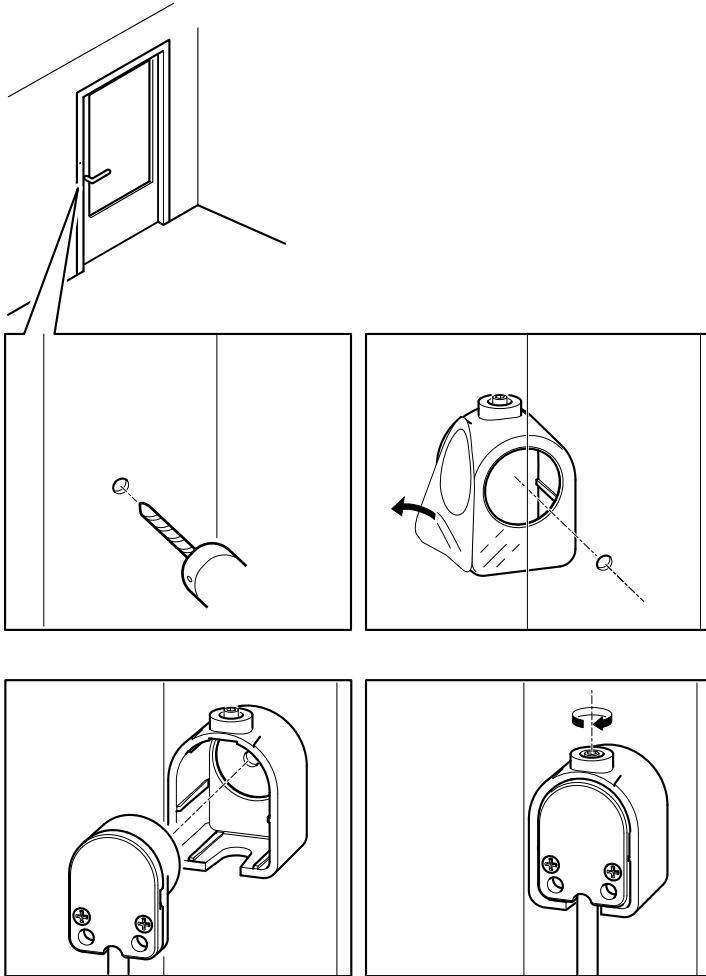
Angled Surface Installation

1. Fasten the angled mounting bracket to the wall or ceiling, using screws and plugs appropriate for the wall/ceiling material. Ensure that the bracket is pointing towards the area to be monitored.
2. Assemble the plate with the screw and align it so the arrows are vertical or horizontal.
3. Fasten the camera to the plate with the two screws.
4. Snap on the cover.
5. Proceed to Connect the cables, see *Connect the Cables on page 26*.



Covert Installation

1. Drill a hole with 3mm diameter in the wall or ceiling. If the material is thicker than 1mm it may be necessary to expand the hole with a countersink cutter.
2. Pull off the protection on the adhesive and attach the straight mounting bracket to the wall.
3. Insert the camera into the bracket, and fasten with the stop screw. Ensure that the cone of the camera is flush with the wall.
4. Proceed to Connect the cables, see *Connect the Cables on page 26*.



How to Install AXIS P1214/AXIS P1224-E Sensor Unit

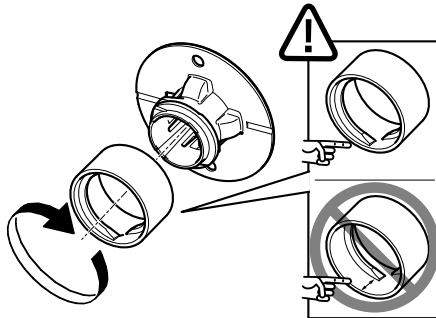
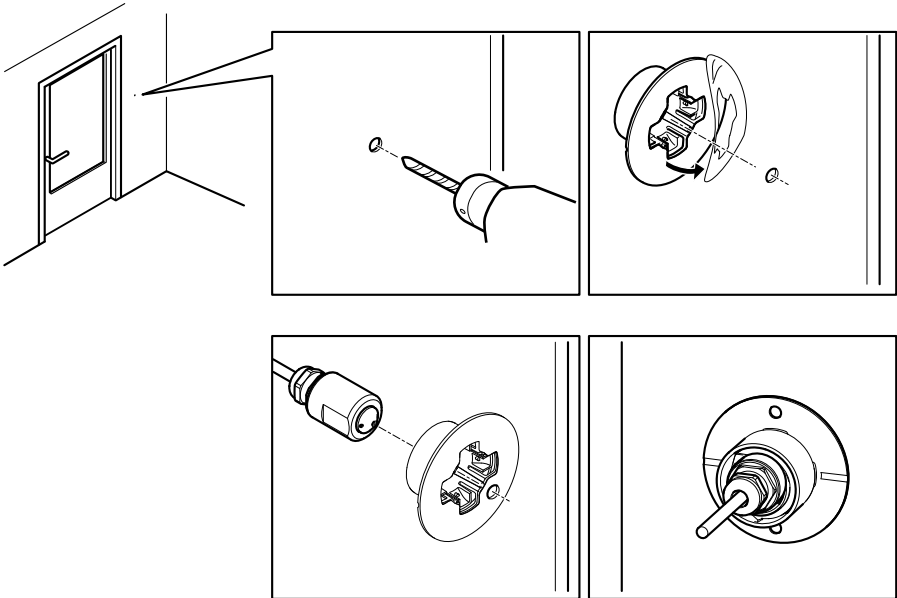
Important

The casing of the AXIS P1214 sensor unit is not approved for outdoor use - the product may only be installed in indoor environments.

The AXIS P1214/AXIS P1224-E can be mounted behind any wall, with just a small opening for the lens, or with the whole lens assembly protruding through the wall.

AXIS P12 Network Camera Series

- Drill a hole with 20mm diameter in the wall, either completely through the material, or use a countersink cutter to have a smaller opening.
- Pull off the protection on the adhesive and attach the mounting bracket to the wall. Optionally secure the bracket with two screws through the holes.
- Insert the camera and tighten the lock ring as shown in the image below. Position the camera so that the flat surface on the thread is vertical or horizontal.
- Proceed to Connect the cables, see *Connect the Cables* on page 26.

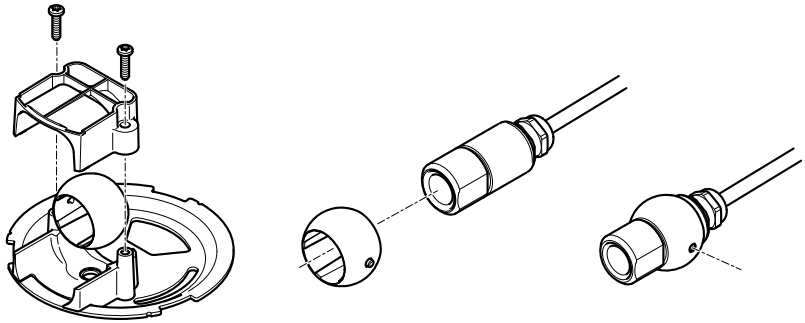


How to Install AXIS P1214-E Sensor Unit

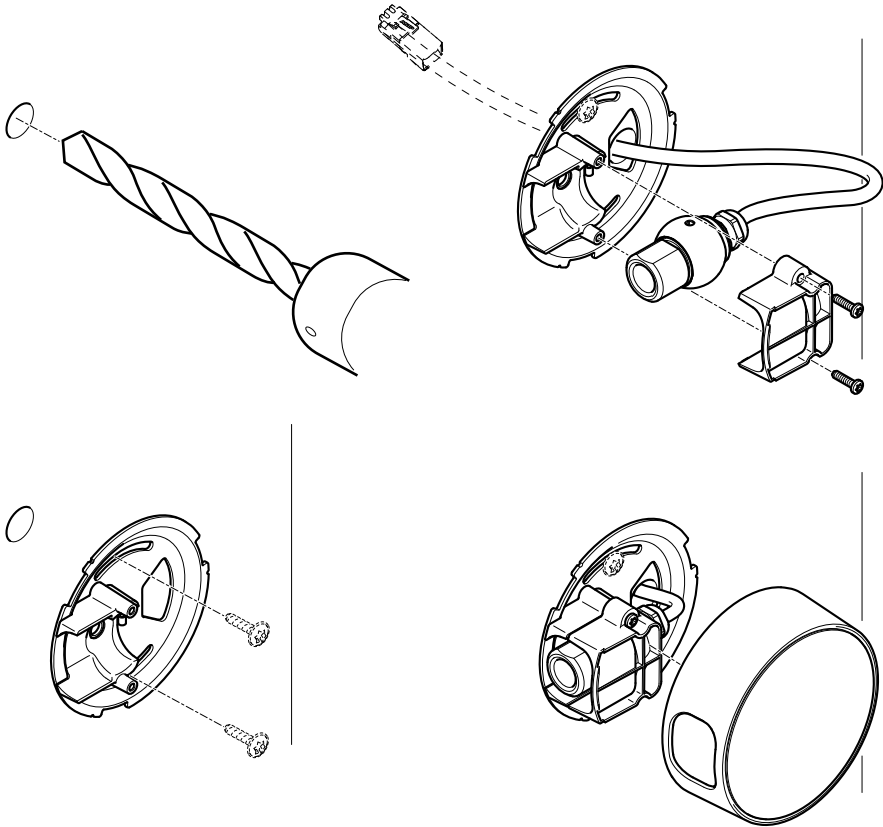
The AXIS P1214-E can be mounted like the AXIS P1214/AXIS P1224-EE, see [page 23](#).

The AXIS P1214-E can also be mounted in the supplied outdoor housing. The cables can be routed through the wall directly into the housing, or through one of the punch-outs in the cover.

1. Remove the two screws and the bracket.
2. Insert the camera into the ball joint and fasten with the stop screw.



3. Drill a hole through the wall or remove one of the punch-outs in the cover.
4. Fasten the plate to the wall using screws and plugs appropriate for the wall material. Ensure that the camera bracket is pointing towards the area to be monitored. If routing the cable through the wall, align the cut-out in the plate with the hole in the wall.
5. Place the ball in the socket and fasten the bracket with the screws. Aim the camera away from the wall before tightening the screws. Position the camera so that the flat surface on the thread is vertical or horizontal.
6. Route the cable through the wall, or through the punch-out in the cover.
7. Attach the cover.
8. Proceed to [Connect the cables](#), see [Connect the Cables on page 26](#).



Connect the Cables

1. Optionally connect external input/output devices, e.g. alarm devices. For information on the connector pins, see *Connectors and Buttons on page 16*.
2. Connect the main unit to the network using a shielded network cable.
3. Connect the sensor unit to the main unit. If required, the cable can be shortened, see *Shorten Sensor Unit Cable on page 27*
4. Connect power, using one of the methods listed below:
 - PoE (Power over Ethernet, Class 2). If available, this is automatically detected when the network cable is connected.
 - Connect power via the connector. For information on the connector pins, see *Connectors and Buttons on page 16*.

5. Check that the indicator LEDs indicate the correct conditions. See for further details. Note that some LEDs can be disabled and may be unlit.

Shorten Sensor Unit Cable

The sensor unit is delivered with a cable. Note that this cable cannot be extended. To shorten the cable follow these steps:

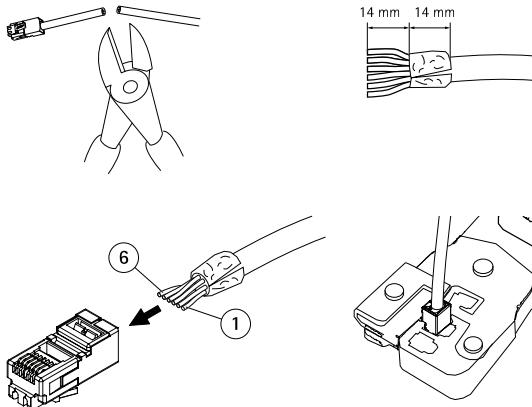
1. Cut the cable to the desired length. Measure from the sensor unit.
2. Strip the plastic outer coating from the end of the cable.
3. Peel back the shield.
4. Flatten the colored wires in the order described below.

1	Brown
2	White/brown
3	Not used
4	Not used
5	White/blue
6	Blue

NOTICE

Make sure that the wires stay in the correct order and that the cable shield makes good contact with the connector shield.

5. Insert the wires all the way into a shielded 6P6C RJ12 connector.
6. Use a crimping tool to fasten the connector to the cable.



AXIS P12 Network Camera Series

Access the Product

AXIS IP Utility and AXIS Camera Management are recommended methods for finding Axis products on the network and assigning them IP addresses in Windows®. Both applications are free and can be downloaded from www.axis.com/techsup

The product can be used with most operating systems and browsers. We recommend the following browsers:

- Internet Explorer® with Windows®
- Safari® with OS X®
- Chrome™ or Firefox® with other operating systems.

For more information about using the product, see the User Manual available at www.axis.com

Reset to Factory Default Settings

Important

Reset to factory default should be used with caution. A reset to factory default will reset all settings, including the IP address, to the factory default values.

Note

The installation and management software tools are available from the support pages on www.axis.com/techsup

To reset the product to the factory default settings:

It is also possible to reset parameters to factory default via the web interface. Go to **Setup > System Options > Maintenance** and click **Default**.

Further Information

For the latest version of this document, see www.axis.com

The User Manual is available at www.axis.com

Visit www.axis.com/techsup to check if there is updated firmware available for your network product. To see the currently installed firmware version, go to **Setup > About**.

Visit Axis learning center www.axis.com/academy for useful trainings, webinars, tutorials and guides.

Warranty Information

For information about Axis' product warranty and thereto related information, see www.axis.com/warranty/

Informations sur la sécurité

Lisez attentivement ce guide d'installation avant d'installer l'appareil. Conservez le guide d'installation pour toute référence ultérieure.

Niveaux de risques

▲ DANGER

Indique une situation dangereuse qui, si elle n'est pas évitée, entraînera le décès ou des blessures graves.

▲ AVERTISSEMENT

Indique une situation dangereuse qui, si elle n'est pas évitée, pourrait entraîner le décès ou des blessures graves.

▲ ATTENTION

Indique une situation dangereuse qui, si elle n'est pas évitée, pourrait entraîner des blessures légères ou modérées.

AVIS

Indique une situation qui, si elle n'est pas évitée, pourrait endommager l'appareil.

Autres niveaux de message

Important

Indique les informations importantes, nécessaires pour assurer le bon fonctionnement de l'appareil.

Note

Indique les informations utiles qui permettront d'obtenir le fonctionnement optimal de l'appareil.

Consignes de sécurité

AVIS

- Le produit Axis doit être utilisé conformément aux lois et réglementations locales en vigueur.
- Pour pouvoir utiliser le produit Axis à l'extérieur, ou dans des environnements similaires, il doit être installé dans un boîtier d'extérieur homologué.
- Conserver ce produit Axis dans un environnement sec et ventilé.
- Ne pas exposer ce produit Axis aux chocs ou aux fortes pressions.
- Ne pas installer ce produit sur des supports, surfaces ou murs instables.
- Utiliser uniquement des outils recommandés pour l'installation de l'appareil Axis. L'application d'une force excessive sur l'appareil avec des outils puissants pourrait l'endommager.
- Ne pas utiliser de produits chimiques, de substances caustiques ou de nettoyeurs pressurisés.
- Utiliser un chiffon propre imbibé d'eau pure pour le nettoyage.
- Utiliser uniquement des accessoires conformes aux caractéristiques techniques du produit. Ils peuvent être fournis par Axis ou un tiers.
- Utiliser uniquement les pièces de rechange fournies ou recommandées par Axis.
- Ne pas essayer de réparer vous-même ce produit. Contacter l'assistance technique d'Axis ou votre revendeur Axis pour des problèmes liés à l'entretien.

Transport

AVIS

- Lors du transport du produit Axis, utilisez l'emballage d'origine ou un équivalent pour éviter d'endommager le produit.

Batterie

Le produit Axis utilise une batterie au lithium BR/CR1220 3,0 V comme alimentation de son horloge en temps réel interne (RTC). Dans des conditions normales, cette batterie a une durée de vie minimale de cinq ans.

Si la batterie est faible, le fonctionnement de l'horloge en temps réel peut être affecté et entraîner sa réinitialisation à chaque mise sous tension. Un message enregistré apparaît dans le rapport de serveur du produit lorsque la batterie doit être remplacée. Pour tout complément d'information concernant le rapport de serveur, reportez-vous aux pages de Configuration du produit ou contactez l'assistance technique d'Axis.

La batterie doit être remplacée uniquement en cas de besoin, et pour ce faire, contactez l'assistance technique d'Axis à l'adresse www.axis.com/techsup et obtenir de l'aide.

Les piles boutons 3,0 V au lithium contiennent du 1,2-diméthoxyéthane, éthylène glycol diméthyl éther (EGDME), CAS N° 110-71-4.

⚠ AVERTISSEMENT

- Risque d'explosion si la batterie est remplacée de façon incorrecte.
- Remplacez-la uniquement par une batterie identique ou une batterie recommandée par Axis.
- Mettez au rebut les batteries usagées conformément aux réglementations locales ou aux instructions du fabricant de la batterie.

FR

Guide d'installation

Ce guide d'installation vous explique comment installer la caméra réseau AXIS P12 sur votre réseau. Pour toute autre information relative à l'utilisation du produit, consultez le manuel de l'utilisateur disponible sur le site www.axis.com

Procédures d'installation

1. Assurez-vous que les outils et autres matériels nécessaires à l'installation sont inclus dans l'emballage. Cf. *page 33*.
2. Consultez la description du matériel. Cf. *page 34*.
3. Étudiez les caractéristiques. Cf. *page 40*.
4. Installez le matériel. Cf. *page 42*.
5. Utilisez le produit. Cf. *page 50*.

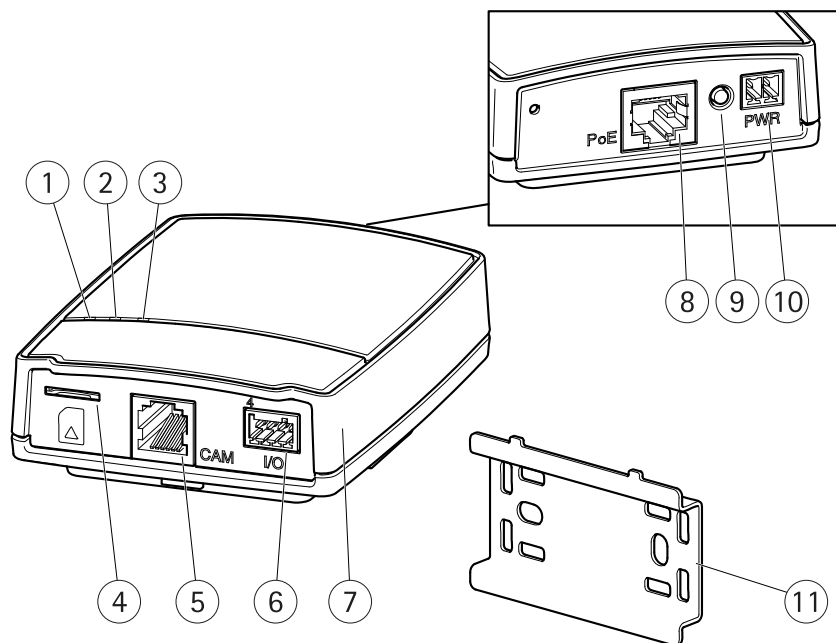
Contenu de l'emballage

- Caméra réseau
 - Unité principale
 - Capteur AXIS P1204/AXIS P1214/AXIS P1214-E/AXIS P1224-E
- Connecteurs
 - Bloc terminal d'alimentation à 2 broches
 - Bloc de connexion E/S à 4 broches
- Accessoires de montage
 - Toutes les variantes : Rail de montage
 - AXIS P1204 : support de montage droit, support de montage à angle variable, couvercle
 - AXIS P1214/AXIS P1224-E : support de fixation
 - AXIS P1214-E : support de montage, boîtier extérieur
- Documents imprimés
 - Guide d'installation de la série AXIS P12 (ce document)
 - Clé d'authentification AVHS

Outils recommandés

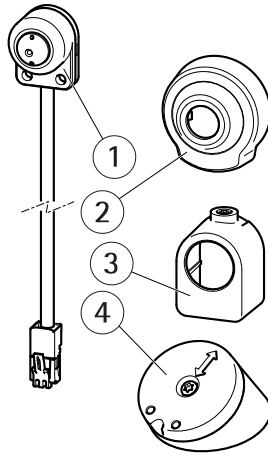
- Perçage : en cas d'utilisation de la fixation au plafond
- Lame : en cas d'utilisation de la fixation pour faux-plafond
- Tournevis T30 Torx : en cas d'utilisation d'un support compatible tiré des accessoires de montage AXIS T91A

Aperçu du matériel



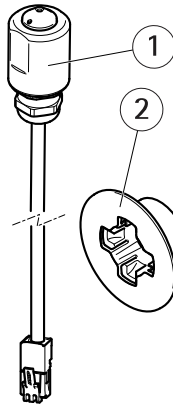
- 1 Voyant DEL d'alimentation
- 2 Voyant d'état
- 3 Voyant DEL réseau
- 4 Logement de carte microSD
- 5 Connecteur de la caméra
- 6 Connecteur E/S
- 7 Unité principale
- 8 Connecteur réseau (PoE)
- 9 Bouton de commande
- 10 Connecteur d'alimentation
- 11 Rail de montage

Capteur AXIS P1204 et accessoires fournis



- 1 Capteur AXIS P1204
- 2 Couvercle
- 3 Support de montage droit
- 4 Support de montage à angle variable

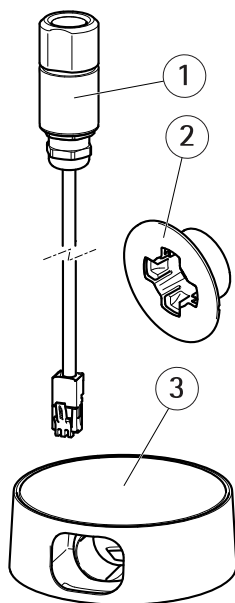
Capteur AXIS P1214 et accessoires fournis



- 1 Capteur AXIS P1214
- 2 Support de fixation

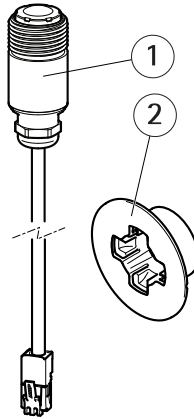
AXIS P12 Network Camera Series

Capteur AXIS P1214-E et accessoires fournis



- 1 Capteur AXIS P1214-E
- 2 Support de fixation
- 3 Boîtier d'extérieur

Capteur AXIS P1224-E et accessoires fournis



- 1 Capteur AXIS P1224-E
- 2 Support de fixation

Voyants

Voyant DEL	Couleur	Indication
Réseau	Vert	Fixe en cas de connexion à un réseau de 100 Mbit/s. Clignote en cas d'activité réseau.
	Orange	Fixe en cas de connexion à un réseau de 10 Mbits/s. Clignote en cas d'activité réseau.
	Éteint	Pas de connexion réseau.
État	Vert	Vert fixe en cas de fonctionnement normal.
	Orange	Fixe pendant le démarrage et lors de la restauration des paramètres.
	Rouge	Clignote lentement en cas d'échec de la mise à niveau.
	Éteint	Pas de connexion entre le capteur et l'unité principale.
Alimentation	Vert	Fonctionnement normal.
	Orange	Le voyant vert/orange clignote pendant la mise à niveau du firmware.

Note

- Le voyant d'état peut être éteint pendant le fonctionnement normal. Pour ce faire, rendez-vous dans **Setup > System Options > Ports & Devices > LED (Configuration > Options système > Ports et dispositifs > DEL)**. Consultez l'aide en ligne pour plus d'informations.
- Le voyant d'état peut clignoter lorsqu'un événement est actif.
- Le voyant d'état peut clignoter pendant l'identification de l'appareil. Rendez-vous dans **Setup > System Options > Maintenance (Configuration > Options système > Maintenance)**.

Connecteurs et boutons

Pour les caractéristiques et les conditions d'utilisation, consultez *page 40*.

Connecteur réseau

Connecteur Ethernet RJ45 avec l'alimentation par Ethernet (PoE).

AVIS

Le produit doit être connecté à l'aide d'un câble réseau blindé (STP). Tous les câbles reliant le produit au commutateur réseau doivent être destinés à leur usage spécifique. Assurez-vous que les périphériques réseau sont installés conformément aux instructions du fabricant. Pour plus d'informations sur les exigences réglementaires, consultez *Electromagnetic Compatibility (EMC) on page 4*.

Connecteur d'E/S

Utilisez-le avec des périphériques externes associés aux applications telles que les alarmes de détérioration, la détection de mouvement, le déclenchement d'événements, l'enregistrement à intervalles et les notifications d'alarme. En plus du point de référence 0 V CC et de l'alimentation (sortie CC), le connecteur d'E/S fournit une interface aux éléments suivants :

- **Sortie numérique** – Permet de connecter des dispositifs externes, comme des relais ou des voyants. Les appareils connectés peuvent être activés par l'interface de programmation VAPIX®, des boutons de sortie sur la page Live View (Vidéo en direct) ou par une règle d'action. La sortie est considérée comme étant active (comme indiqué dans **System Options > Ports & Devices (Options du système > Ports et dispositifs)**) si le dispositif d'alarme est activé.
- **Entrée numérique** – Entrée d'alarme utilisée pour connecter des dispositifs pouvant passer d'un circuit ouvert à un circuit fermé, par exemple : détecteurs infrarouge passifs, contacts de porte/fenêtre, détecteurs de bris de verre, etc. À la réception d'un signal, l'état change et l'entrée s'active (sous **System Options > Ports & Devices (Options du système > Ports et dispositifs)**).

Connecteur d'alimentation

Bloc terminal à 2 broches pour l'alimentation. Utilisez une source d'alimentation limitée (LPS) conforme aux exigences de Très basse tension de sécurité (TBTS) dont la puissance de sortie nominale est limitée à ≤ 100 W ou dont le courant de sortie nominal est limité à ≤ 5 A.

Connecteur RJ12

Le connecteur RJ12 est utilisé pour connecter le capteur à l'unité principale.

Pour plus d'informations sur la façon de raccourcir le câble du capteur, reportez-vous à *Raccourcir le câble du capteur* page 49.

Bouton de commande

Pour connaître l'emplacement du bouton de commande, consultez *Aperçu du matériel* page 34.

Le bouton de commande permet de réaliser les opérations suivantes :

- Réinitialisation du produit aux paramètres d'usine par défaut. Cf. *page 50*.
- Connexion au service du Système d'hébergement vidéo AXIS ou au service AXIS Internet Dynamic DNS. Pour plus d'informations sur ces services, reportez-vous au Manuel de l'utilisateur.

Emplacement pour carte SD

AVIS

- La carte SD risque d'être endommagée. Ne pas utiliser d'outils tranchants ou d'objets métalliques et ne pas forcer lors de l'insertion ou du retrait de la carte SD. Utilisez vos doigts pour insérer et retirer la carte.
- Risque de perte de données et d'enregistrements corrompus. Ne retirez pas la carte SD tant que le produit est en fonctionnement. Débranchez ou déposez la carte SD des pages Web du produit AXIS avant de la retirer.

Cet appareil est compatible avec des cartes microSD/microSDHC/microSDXC (cartes non fournies).

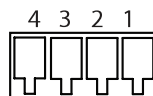
Pour obtenir des conseils sur la carte SD, rendez-vous sur www.axis.com

Caractéristiques techniques

Connecteurs

Connecteur d'E/S

Bloc terminal à 4 broches.

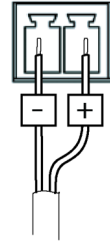


Pour un exemple de schéma, consultez *Schémas de connexion* page 41.

Fonction	Broche	Notes	Caractéristiques
0 V CC (-)	1		0 V CC
Sortie CC	2	Peut servir à alimenter le matériel auxiliaire. Remarque : cette broche ne peut être utilisée que comme sortie d'alimentation.	3,3 V CC Charge max. = 50 mA
Entrée numérique	3	Connectez-la à la broche 1 pour l'activer ou laissez-la flotter (déconnectée) pour la désactiver.	0 à 40 V CC
Sortie numérique	4	Connectée à la broche 1 lorsqu'elle est activée, flotte (déconnectée) lorsqu'elle est désactivée. Si vous l'utilisez avec une charge inductive, par exemple un relais, une diode doit être connectée en parallèle avec la charge, en guise de protection contre les tensions transitoires.	0 à 40 V CC max., drain ouvert, 100 mA

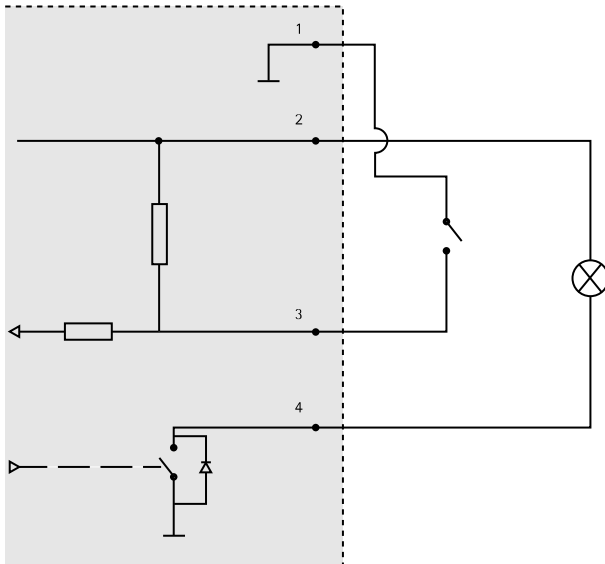
Connecteur d'alimentation

Bloc terminal à 2 broches pour l'alimentation CC. Utilisez une source d'alimentation limitée (LPS) conforme aux exigences de Très basse tension de sécurité (TBTS) dont la puissance de sortie nominale est limitée à ≤ 100 W ou dont le courant de sortie nominal est limité à ≤ 5 A.



Schémas de connexion

Connecteur d'E/S



- 1 0 V CC (-)
- 2 Sortie CC 3,3 V, maxi. 50 mA
- 3 Entrée numérique 0 à max. 40 V CC
- 4 Entrée numérique 0 à max. 40 V CC, drain ouvert, max. 100 mA

Installation du matériel

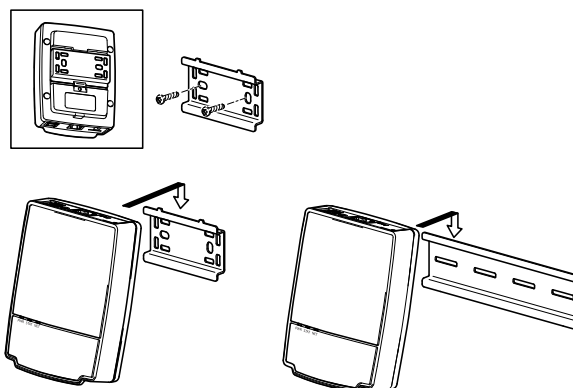
Important

Il n'est pas recommandé d'utiliser l'unité principale à l'extérieur. Le produit doit être installé en intérieur uniquement.

Relevez le numéro de série (S/N) sur l'étiquette du produit. Ce numéro peut être requis lors de l'installation.

L'unité principale peut être placée sur un rail DIN ou à l'aide du rail de montage fourni.

1. En cas d'utilisation du rail de montage, fixez-le au mur ou au plafond à l'aide de vis et chevilles appropriées au matériau du mur/du plafond. Remarquez le sens des deux onglets sur le rail, les onglets s'alignent sur la partie supérieure de l'unité principale.
2. Fixez l'extrémité supérieure de l'unité principale au rail DIN ou au rail de montage et emboîtez l'extrémité inférieure en place.
3. Suivez les instructions correspondant au capteur ci-dessous.



Comment installer le capteur AXIS P1204

Important

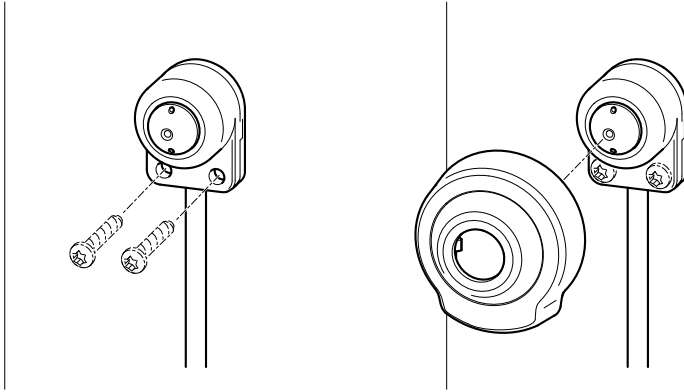
Il n'est pas recommandé d'utiliser le boîtier du capteur AXIS P1204 à l'extérieur. Le produit doit être installé en intérieur uniquement.

L'AXIS P1204 peut être monté de trois façons différentes :

- À plat sur n'importe quelle surface.
- En biais sur n'importe quelle surface, à l'aide de l'équerre de fixation à angle.
- Dissimulé derrière un matériau fin, par exemple une tôle dans un montant de porte ou un distributeur automatique de billets.

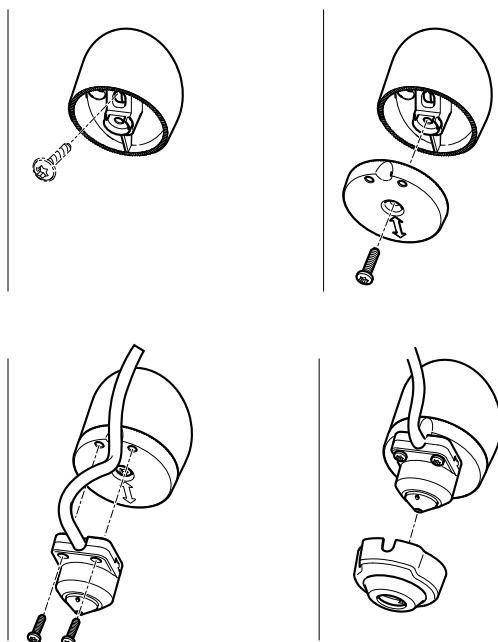
Installation sur une surface plane

1. Fixez la caméra au mur ou au plafond à l'aide de vis et chevilles appropriées au matériau du mur/du plafond.
2. Emboîtez le couvercle.
3. Poursuivez avec le Branchement des câbles, consultez *Branchement des câbles page 48*.



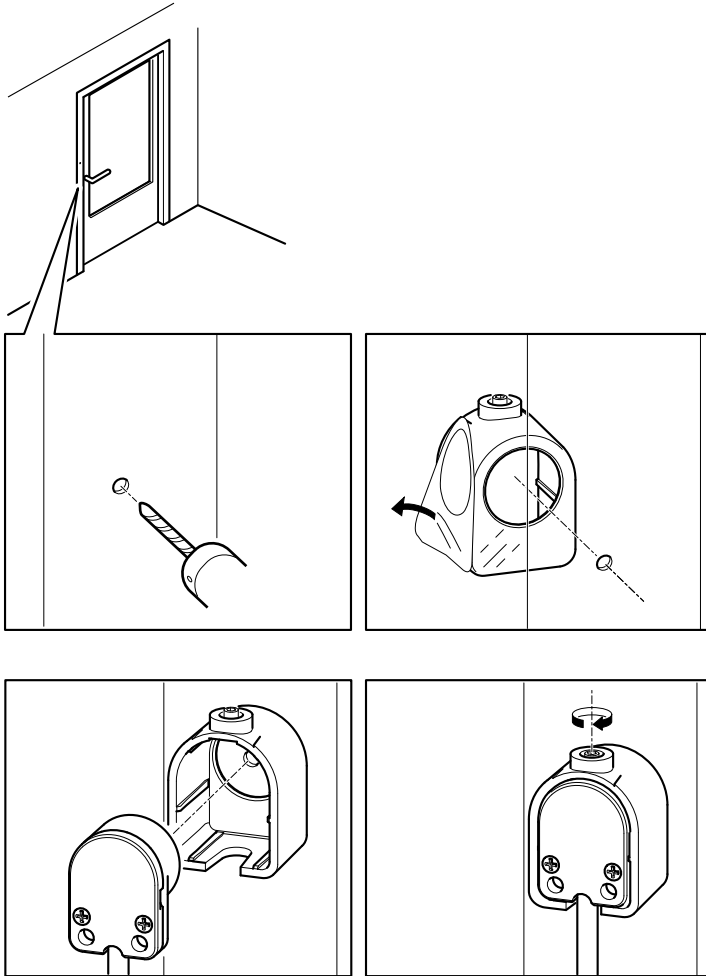
Installation sur une surface inclinée

1. Fixez l'équerre de fixation au mur ou au plafond à l'aide de vis et chevilles appropriées au matériau du mur/du plafond. Assurez-vous que l'équerre est orientée vers la zone à surveiller.
2. Assemblez le socle à l'aide de la vis et alignez-la de sorte que les flèches soient verticales ou horizontales.
3. Fixez la caméra au socle à l'aide des deux vis.
4. Emboîtez le couvercle.
5. Poursuivez avec le Branchement des câbles, consultez *Branchement des câbles page 48*.



Installation dissimulée

1. Percez un trou de 3 mm dans le mur ou le plafond. Si le matériau a plus d'1 mm d'épaisseur, il faut peut-être agrandir le trou à l'aide d'un outil à fraiser.
2. Décollez la protection placée sur l'adhésif et fixez le support de montage droit au mur.
3. Insérez la caméra dans le support et fixez-la à l'aide de la vis de butée. Assurez-vous que le cône de la caméra est encastré dans le mur.
4. Poursuivez avec le Branchement des câbles, consultez *Branchement des câbles* page 48.



Comment installer le capteur AXIS P1214/AXIS P1224-E

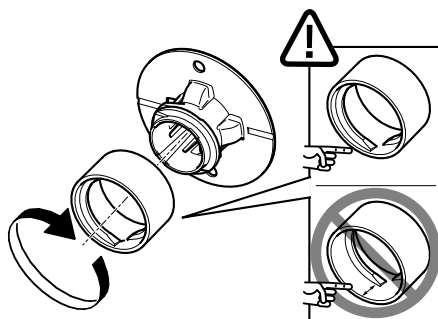
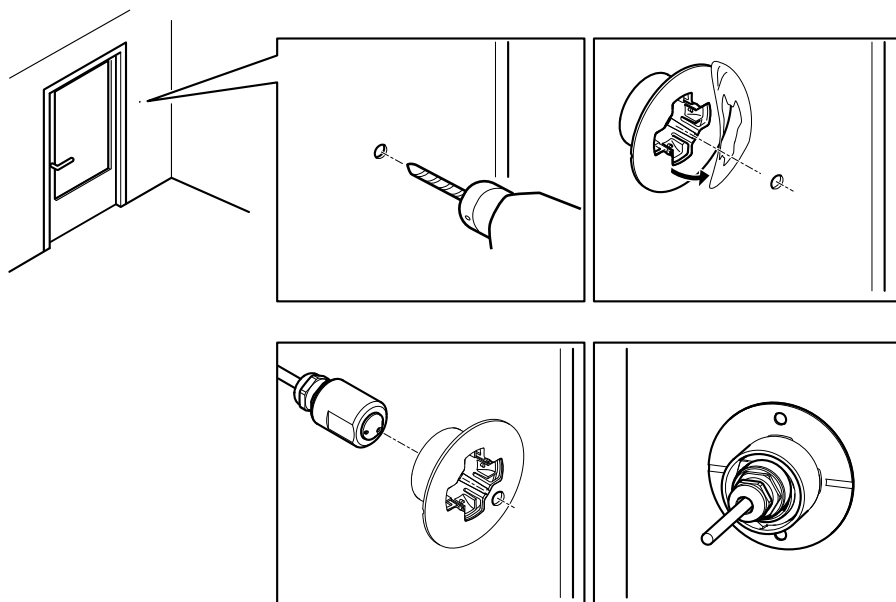
Important

Il n'est pas recommandé d'utiliser le boîtier du capteur AXIS P1214 à l'extérieur. Le produit doit être installé en intérieur uniquement.

L'AXIS P1214/AXIS P1224-E peut être monté derrière un mur, avec juste une petite ouverture pour l'objectif, ou alors avec l'ensemble de l'objectif dépassant du mur.

AXIS P12 Network Camera Series

- Percez un trou de 20 mm de diamètre dans le mur, soit en traversant complètement le matériau soit en utilisant un outil à fraiser pour obtenir une ouverture plus petite.
- Décollez la protection placée sur l'adhésif et fixez le support de montage au mur. Sinon, vous pouvez fixer le support à l'aide de deux vis dans les trous.
- Insérez la caméra et serrez la bague de blocage comme indiqué dans l'illustration ci-dessous. Positionnez la caméra de sorte que la surface plate sur le filetage soit verticale ou horizontale.
- Poursuivez avec le Branchement des câbles, consultez *Branchement des câbles* page 48.

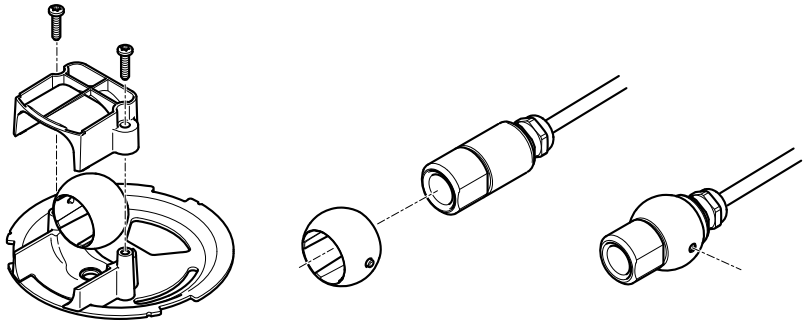


Comment installer le capteur AXIS P1214-E

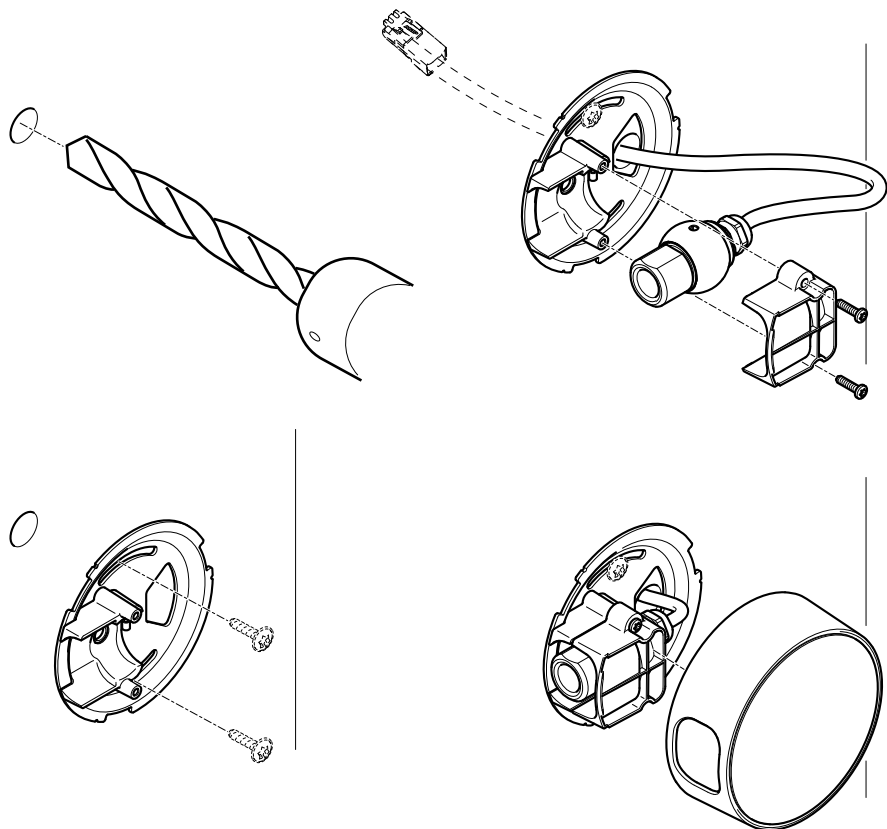
L'AXIS P1214-E peut être monté comme l'AXIS P1214/AXIS P1224-EE, consultez *page 45*.

L'AXIS P1214-E peut également être monté dans le boîtier extérieur fourni. Acheminez tous les câbles à travers le mur directement dans le boîtier ou à travers l'une des découpes du couvercle.

1. Retirez les deux vis et le support.
2. Insérez la caméra dans le joint sphérique et fixez-la à l'aide de la vis de butée.



3. Percez un trou dans le mur ou retirez l'une des découpes du couvercle.
4. Fixez le socle au mur à l'aide de vis et de chevilles appropriées au matériau du mur. Assurez-vous que le support de la caméra est orienté vers la zone à surveiller. Si vous acheminez le câble à travers le mur, alignez la découpe dans le socle avec le trou dans le mur.
5. Placez le joint sphérique dans la prise et fixez le support à l'aide des vis. Orientez la caméra à l'opposé du mur avant de serrer les vis. Positionnez la caméra de sorte que la surface plate sur le filetage soit verticale ou horizontale.
6. Acheminez le câble en le faisant passer au travers du mur ou de la découpe du couvercle.
7. Fixez le couvercle.
8. Poursuivez avec le Branchement des câbles, consultez *Branchement des câbles page 48*.



Branchement des câbles

1. Si vous le souhaitez, connectez des périphériques d'entrée/sortie externes, tels que des systèmes d'alarme. Pour plus d'informations sur les broches du connecteur, reportez-vous à la section *Connecteurs et boutons* page 38.
2. Connectez l'unité principale au réseau à l'aide d'un câble réseau blindé.
3. Connectez le capteur à l'unité principale. Le cas échéant, le câble peut être raccourci, reportez-vous à la section *Raccourcir le câble du capteur* page 49
4. Branchez l'alimentation en suivant l'une des méthodes décrites ci-dessous :
 - PoE (alimentation par Ethernet, classe 2). Si elle est disponible, elle est automatiquement détectée quand le câble réseau est connecté.

- Branchez l'alimentation via le connecteur. Pour plus d'informations sur les broches du connecteur, reportez-vous à la section *Connecteurs et boutons* page 38.
5. Vérifiez que les voyants DEL indiquent le bon état de fonctionnement. Cf. pour plus d'informations. Notez que certains voyants peuvent être désactivés et donc éteints.

Raccourcir le câble du capteur

FR

Le capteur est fourni avec un câble. Remarquez que ce câble ne peut pas être allongé. Pour raccourcir ce câble, procédez comme suit :

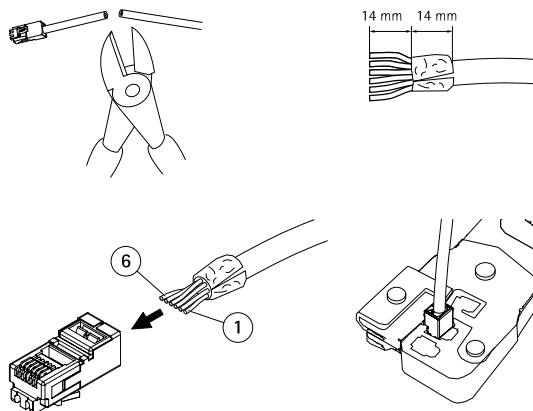
1. Coupez le câble à la longueur souhaitée. Prenez la mesure à partir du capteur.
2. Dénudez l'enrobage plastique de l'extrémité du câble.
3. Retirez le blindage.
4. Aplatissez l'ensemble des fils colorés dans l'ordre décrit ci-dessous.

1	Marron
2	Blanc/marron
3	Non utilisé
4	Non utilisé
5	Blanc/bleu
6	Bleu

AVIS

Assurez-vous que les fils restent dans l'ordre correct et que le blindage du câble offre un bon contact avec le blindage du connecteur.

5. Insérez entièrement les fils dans un connecteur 6P6C RJ12 blindé.
6. Utilisez un outil de sertissage pour fixer le connecteur sur le câble.



Utilisez le produit

Si vous souhaitez rechercher des produits Axis sur le réseau ou leur affecter des adresses IP sous Windows®, nous recommandons l'utilisation des applications AXIS IP Utility et AXIS Camera Management. Ces deux applications sont gratuites et peuvent être téléchargées depuis www.axis.com/techsup

Le produit peut être utilisé avec la plupart des systèmes d'exploitation et des navigateurs. Nous recommandons les navigateurs suivants :

- Internet Explorer® avec Windows®,
- Safari® avec OS X®
- Chrome™ ou Firefox® avec les autres systèmes d'exploitation.

Pour plus d'informations concernant l'utilisation du produit, consultez le manuel de l'utilisateur disponible sur le site www.axis.com

Réinitialisation aux paramètres d'usine par défaut

Important

La réinitialisation aux paramètres par défaut doit être utilisée avec prudence. Cette opération reconfigure tous les paramètres, y compris l'adresse IP, aux valeurs d'usine par défaut.

Note

Les logiciels d'installation et de gestion sont disponibles sur les pages d'assistance du site www.axis.com/techsup

Pour réinitialiser l'appareil aux paramètres d'usine par défaut :

Il est également possible de rétablir les paramètres d'usine à partir de l'interface Web. Accédez à **Setup > System Options > Maintenance (Configuration > Options du système > Maintenance)** et cliquez sur **Default (Défaut)**.

Pour obtenir plus de renseignements

Pour la dernière version de ce document, consultez le site www.axis.com

Le Manuel de l'utilisateur est disponible à l'adresse suivante : www.axis.com

Consultez le site www.axis.com/techsup pour vérifier si des mises à jour des logiciels sont disponibles pour votre appareil réseau. Pour connaître la version du micrologiciel actuellement installée, reportez-vous à la page **Setup > About (Configuration > À propos de)**.

Visitez le centre d'apprentissage en ligne Axis sur le site www.axis.com/academy pour en savoir plus sur les formations, les webinaires, les tutoriels et les guides.

Informations sur la garantie

Pour obtenir de plus amples informations sur la garantie du produit AXIS et des renseignements connexes, allez sur le site www.axis.com/warranty/

Sicherheitsinformation

Lesen Sie das Installationshandbuch sorgfältig durch bevor sie das Produkt installieren. Bewahren Sie das Installationshandbuch für zukünftige Zwecke auf.

Gefährdungsstufen

▲GEFAHR

Weist auf eine gefährliche Situation hin, welche , falls nicht verhindert, zu Tod oder schweren Verletzungen führt.

▲WARNUNG

Weist auf eine gefährliche Situation hin, welche, falls nicht verhindert, zu Tod oder schweren Verletzungen führen kann.

▲VORSICHT

Weist auf eine gefährliche Situation hin, welche, falls nicht verhindert, zu geringfügiger oder mäßiger Verletzung führen kann.

HINWEIS

Weist auf eine gefährliche Situation hin, welche, falls nicht verhindert, zu Sachschäden führen kann.

Weitere Nachrichtenstufen

Wichtig

Weist auf wichtige Informationen hin, die den richtigen Betrieb des Produkts gewährleisten.

Beachten

Weist auf nützliche Informationen hin, die die optimale Verwendung des Produkts unterstützen.

Sicherheitsanweisungen

HINWEIS

- Die Anwendung des Axis Produkts muss unter Beachtung der örtlich geltenden rechtlichen Bestimmungen erfolgen.
- Bei der Anwendung von Axis Produkten im Außenbereich oder ähnlichen Umgebungen, müssen diese in zugelassenen Außengehäusen installiert werden.
- Lagern Sie das Axis Produkt in einer trockenen und belüfteten Umgebung.
- Achten Sie darauf, dass das Axis Produkt weder Stößen noch starkem Druck ausgesetzt ist.
- Installieren Sie das Produkt nicht an instabilen Halterungen, Oberflächen oder Wänden.
- Verwenden Sie bei der Installation des Axis Produkts ausschließlich passende Werkzeuge. Ein zu großer Kraftaufwand mit elektrischen Werkzeugen kann das Produkt beschädigen.
- Verwenden Sie keine chemischen, ätzenden oder aerosolhaltigen Reinigungsmittel.
- Verwenden Sie zum Reinigen ein sauberes, mit destilliertem Wasser angefeuchtetes Tuch.
- Verwenden Sie nur Zubehör, das den technischen Daten des Produkts entspricht. Dieses ist von Axis oder Drittanbietern erhältlich.
- Verwenden Sie ausschließlich Ersatzteile die von Axis bereitgestellt oder empfohlen werden.
- Versuchen Sie nicht, das Produkt selbstständig zu reparieren. Wenden Sie sich bezüglich Reparatur und Wartung an den Axis Support oder Ihren Axis Händler.

Transport

HINWEIS

- Bei Bedarf transportieren Sie das Axis Produkt in der Originalverpackung oder einer entsprechenden Verpackung, so dass Schäden vermieden werden.

Batterie

Das Axis Produkt ist mit einer 3,0 V-BR/CR1220-Lithium-Batterie ausgestattet, mit der die interne Echtzeituhr (RTC) versorgt wird. Unter normalen Bedingungen hat die Batterie eine Lebensdauer von mindestens fünf Jahren.

Bei entladener Batterie ist der Betrieb der Echtzeituhr nicht mehr gewährleistet, sodass die Uhr bei jedem Systemstart zurückgesetzt wird. Sie erhalten eine Protokollnachricht im Serverbericht des Produkts, wenn ein Batteriewechsel erforderlich ist. Weitere Informationen über den Serverbericht finden Sie auf den Setup-Seiten des Produkts, oder wenden Sie sich an den Axis Support.

Die Batterie sollte nur bei Bedarf ersetzt werden. Wenden Sie sich in diesem Fall an den Axis Support unter www.axis.com/techsup.

Lithium-Knopfzellen (3,0 V) enthalten 1,2-Dimethoxyethan; Ethylenglycoldimethylether (EGDME), CAS-Nr. 110-71-4.

▲ WARNUNG

- Explosionsgefahr bei fehlerhaftem Batteriewechsel.
- Die Batterie darf nur durch eine identische Batterie oder eine von Axis empfohlene Batterie ersetzt werden.
- Verbrauchte Batterien sind gemäß den örtlichen Vorschriften oder den Anweisungen des Herstellers zu entsorgen.

Installationsanleitung

In dieser Anleitung wird die Installation der AXIS P12-Netzwerk-Kamera in Ihrem Netzwerk beschrieben. Weitere Informationen zur Nutzung dieses Produkts finden Sie im Benutzerhandbuch unter www.axis.com.

Installationsschritte

1. Stellen Sie sicher, dass die Packungsinhalte, Werkzeuge und andere notwendige Materialien für die Installation in Ordnung sind. Siehe *Seite 57*.
2. Machen Sie sich mit der Hardware-Übersicht vertraut. Siehe *Seite 58*.
3. Machen Sie sich mit den technischen Daten vertraut. Siehe *Seite 64*.
4. Installieren Sie die Hardware. Siehe *Seite 66*.
5. Greifen Sie auf das Produkt zu. Siehe *Seite 74*.

DE

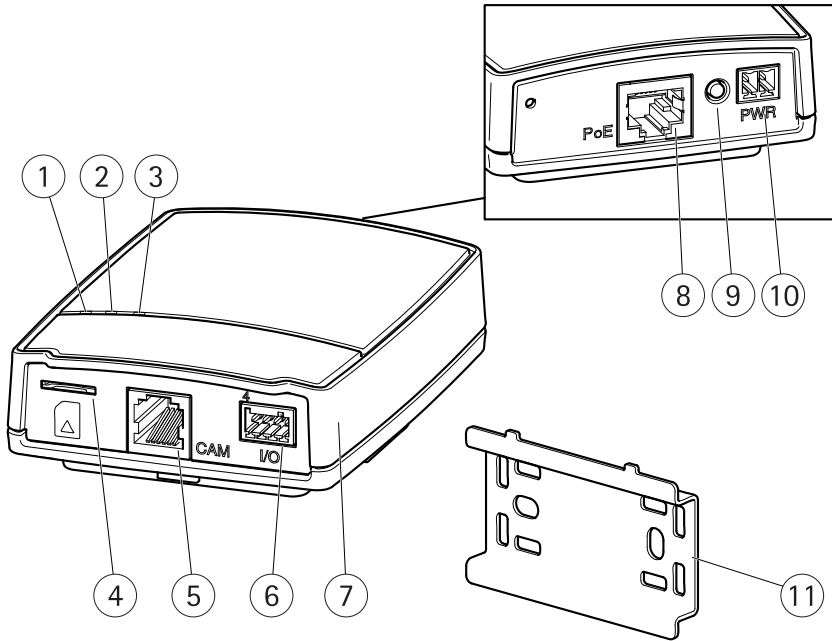
Lieferumfang

- Netzwerk-Kamera
 - Haupteinheit
 - Sensoreinheit AXIS P1204/AXIS P1214/AXIS P1214-E/AXIS P1224-E
- Anschlüsse
 - 2-poliger Anschlussblock für die Stromversorgung
 - 4-poliger E/A-Anschlussblock
- Montagezubehör
 - Alle Ausführungen: Montageschiene
 - AXIS P1204: Gerade Halterung, Winkelhalterung, Abdeckung
 - AXIS P1214/AXIS P1224-E: Montagehalterung
 - AXIS P1214-E: Montagehalterung, Gehäuse für den Außenbereich
- Gedruckte Dokumente
 - Installationsanleitung für die AXIS P12-Serie (dieses Dokument)
 - AVHS-Authentifizierungsschlüssel

Empfohlene Werkzeuge

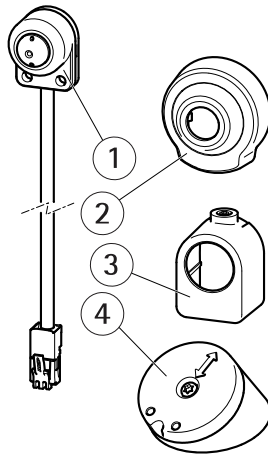
- Bohrer – bei Montage an Massivdecken
- Messer – bei Montage an Hängedecken
- Torx Schraubendreher T30 – bei Anwendung einer kompatiblen Halterung des AXIS T91A Montagezubehörs.

Übersicht über die Hardware



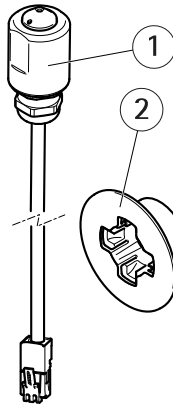
- 1 *Stromversorgungs-LED*
- 2 *LED-Statusanzeige*
- 3 *Netzwerk-LED*
- 4 *microSD-Karteneinschub*
- 5 *Kameraanschluss*
- 6 *E/A-Anschluss*
- 7 *Haupteinheit*
- 8 *Netzwerkanschluss (PoE)*
- 9 *Steuertaste*
- 10 *Netzanschluss*
- 11 *Montageschiene*

AXIS P1204-Sensoreinheit und mitgeliefertes Zubehör



- 1 *AXIS P1204-Sensoreinheit*
- 2 *Abdeckung*
- 3 *Gerade Halterung*
- 4 *Winkelhalterung*

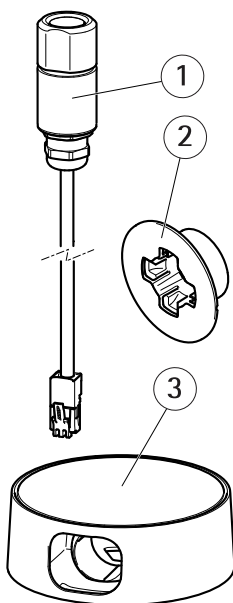
AXIS P1214-Sensoreinheit und mitgeliefertes Zubehör



- 1 *AXIS P1214-Sensoreinheit*
- 2 *Montagehalterung*

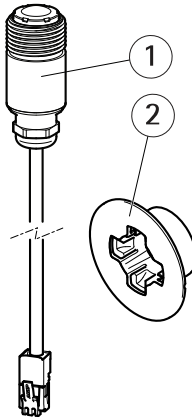
AXIS P12 Network Camera Series

AXIS P1214-E-Sensoreinheit und mitgeliefertes Zubehör



- 1 *AXIS P1214-E-Sensoreinheit*
- 2 *Montagehalterung*
- 3 *Außengehäuse*

AXIS P1224-E-Sensoreinheit und mitgeliefertes Zubehör



- 1 *AXIS P1224-E-Sensoreinheit*
- 2 *Montagehalterung*

LEDs

LED	Farbe	Bedeutung
Netzwerk	Grün	Leuchtet bei Verbindung mit einem 100 MBit/s-Netzwerk. Blinkt bei Netzwerkaktivität.
	Gelb	Leuchtet bei Verbindung mit einem 10 MBit/s-Netzwerk. Blinkt bei Netzwerkaktivität.
	Leuchtet nicht	Keine Netzwerkverbindung vorhanden.
Status	Grün	Leuchtet bei Normalbetrieb grün.
	Gelb	Leuchtet beim Start und beim Wiederherstellen der Einstellungen.
	Rot	Blinkt langsam bei einem Aktualisierungsfehler.
	Leuchtet nicht	Keine Verbindung zwischen Sensoreinheit und Haupteinheit.
Stromversorgung	Grün	Normaler Betrieb.
	Gelb	Blinkt grün/gelb während der Firmware-Aktualisierung.

Beachten

- Die Status-LED kann so eingestellt werden, dass sie während des Normalbetriebs nicht leuchtet. Diese Konfiguration können Sie unter **Setup > System Options > Ports & Devices > LED (Setup > Systemoptionen > Ports & Geräte > LED)** einstellen. Weitere Informationen finden Sie in der Online-Hilfe.
- Die Status-LED kann so eingestellt werden, dass sie blinkt, wenn ein Ereignis aktiv ist.
- Die Status-LED kann so eingestellt werden, dass sie blinkt, wenn die Einheit erkannt wird. Rufen Sie **Setup > System Options > Maintenance (Setup > Systemoptionen > Wartung)** auf.

Anschlüsse und Tasten

Für die technischen Daten und Betriebsbedingungen siehe *Seite 64*.

Netzwerkanschluss

RJ45-Ethernetanschluss mit Power over Ethernet (PoE).

HINWEIS

Das Produkt muss mit einem abgeschirmten Netzkabel (STP) angeschlossen werden. Alle Kabel, die das Produkt mit dem Netzwerkschalter verbinden, müssen hierfür ausgelegt sein. Stellen Sie sicher, dass die Netzwerkgeräte gemäß den Anweisungen des Herstellers installiert wurden. Informationen zu gesetzlichen Bestimmungen finden Sie unter *Electromagnetic Compatibility (EMC) on page 4*.

E/A-Anschluss

Zur Verwendung mit externen Geräten in Verbindung mit Manipulationsalarmen, Bewegungserkennung, Ereignisauslösung, Zeitrafferaufnahmen, Alarmbenachrichtigungen usw. Abgesehen vom 0 V DC-Bezugspunkt und einer Stromquelle (Gleichstromausgang) verfügt die E/A-Klemmenleiste über eine Schnittstelle zu:

- **Digitalausgang** – Zum Anschluss externer Geräte wie Relais und LEDs. Angeschlossene Geräte können über die VAPIX® Application Programming Interface (Programmierschnittstelle) über die Schaltflächen für den Ausgang auf der Seite „Live View“ oder durch eine Aktionsregel aktiviert werden. Der Ausgang wird als aktiv (siehe **System Options > Ports & Devices (Systemoptionen > Anschlüsse & Geräte)**) angezeigt, wenn das Alarmmeldegerät aktiviert ist.
- **Digitaleingang** – Alarমেingang für den Anschluss von Geräten, die zwischen geöffnetem und geschlossenem Schaltkreis wechseln können, z. B.: PIR-Sensoren, Tür-/Fensterkontakte, Glasbruchmelder usw. Bei Empfang eines Signals ändert sich der Status und der Eingang wird aktiviert (siehe **System Options > Ports & Devices (Systemoptionen > Anschlüsse & Geräte)**).

Netzanschluss

2-poliger Anschlussblock für die Stromversorgung. Verwenden Sie eine mit den Anforderungen für Schutzkleinspannung (SELV) kompatible Stromquelle mit begrenzter Leistung (LPS) mit einer Nennausgangsleistung von ≤ 100 W oder einem dauerhaft auf ≤ 5 A begrenzten Nennausgangsstrom.

RJ12-Anschluss

Der RJ12-Anschluss ist zum Anschließen der Sensoreinheit an die Haupteinheit vorgesehen.

Weitere Informationen zum Kürzen des Kabels der Sensoreinheit finden Sie unter *Kürzen des Kabels der Sensoreinheit auf Seite 73*.

Steuertaste

Die Steuertaste befindet sich an folgender Stelle: *Übersicht über die Hardware auf Seite 58*.

Die Steuertaste hat folgende Funktionen:

- Zurücksetzen des Produkts auf die Werkseinstellungen. Siehe *Seite 74*.
- Verbinden mit einem AXIS Video Hosting System-Service oder einem AXIS Internet Dynamic DNS-Service. Weitere Informationen zu diesen Diensten finden Sie in der Bedienungsanleitung.

SD-Kartensteckplatz

HINWEIS

- Gefahr von Schäden an der SD-Karte. Verwenden Sie beim Einlegen oder Entfernen der SD-Karte keine scharfen/spitzen Werkzeuge oder Gegenstände aus Metall und wenden Sie nicht zu viel Kraft an. Setzen Sie die Karte per Hand ein. Das Gleiche gilt für das Entfernen.
- Gefahr von Datenverlust und Beschädigung der Aufnahmen. Die SD-Karte darf nicht entfernt werden, während das Produkt in Betrieb ist. Trennen Sie die Stromversorgung oder deaktivieren Sie die SD-Karte vor dem Entfernen über die Webseiten des Axis Produkts.

Dieses Produkt unterstützt microSD-/microSDHC-/microSDXC-Karten (separat erhältlich).

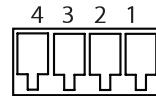
Empfehlungen zu SD-Karten finden Sie unter www.axis.com.

Technische Daten

Anschlüsse

E/A-Anschluss

4-poliger Anschlussblock

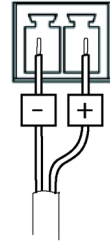


Ein Beispielschaltbild finden Sie unter *Anschlussschaltbilder auf Seite 65*.

Funktion	Kontakt	Hinweise	Technische Daten
0 V DC (-)	1		0 V DC
Gleichstromausgang	2	Kann für die Stromversorgung von Zusatzgeräten verwendet werden. Hinweis: Dieser Kontakt kann nur für den Stromausgang verwendet werden.	3,3 V DC Max. Stromstärke = 50 mA
Digitaleingang	3	Zum Aktivieren mit Kontakt 1 verbinden; zum Deaktivieren nicht anschließen.	0 bis max. 40 V DC
Digitalausgang	4	Bei Aktivierung mit Kontakt 1 verbunden; wenn deaktiviert: frei (nicht verbunden). Bei Verwendung mit einer induktiven Last, z. B. einem Relais, muss parallel zur Last zum Schutz vor Spannungsspitzen eine Diode zwischengeschaltet werden.	0 bis max. 40 V DC, Open Drain, 100 mA

Stromanschluss

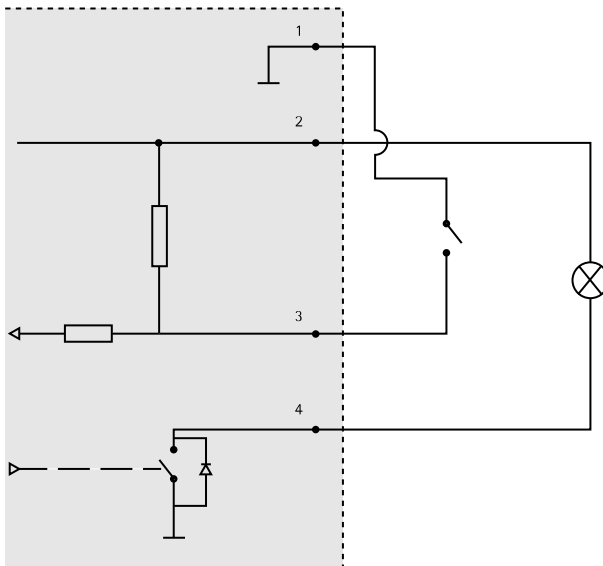
2-poliger Anschlussblock für die Gleichstromversorgung. Verwenden Sie eine mit den Anforderungen für Schutzkleinspannung (SELV) kompatible Stromquelle mit begrenzter Leistung (LPS) mit einer Nennausgangsleistung von ≤ 100 W oder einem dauerhaft auf ≤ 5 A begrenzten Nennausgangsstrom.



DE

Anschluss Schaltbilder

E/A-Anschluss



- 1 0 VDC (-)
- 2 DC-Ausgang 3,3 V, max. 50 mA
- 3 Digitaleingang 0 bis max. 40 VDC
- 4 Digitalausgang 0 bis max. 40 VDC, Open Drain, 100 mA

Installieren der Hardware

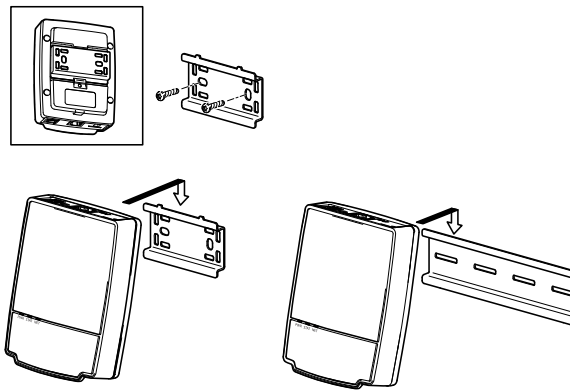
Wichtig

Das Gehäuse der Haupteinheit ist nicht für den Einsatz im Außenbereich geeignet. Dieses Produkt darf nur in Innenräumen installiert werden.

Notieren Sie sich die auf dem Produktaufkleber befindliche Seriennummer (S/N). Diese wird für die Installation benötigt.

Die Haupteinheit kann an einer DIN-Schiene oder mithilfe der mitgelieferten Halterungsschiene montiert werden.

1. Befestigen Sie die Halterungsschiene an der Wand oder Decke. Verwenden Sie dabei die für das jeweilige Material geeigneten Schrauben und Dübel. Achten Sie darauf, die Nasen an der Schiene auf die obere Seite der Haupteinheit auszurichten.
2. Bringen Sie Haupteinheit mit der oberen Seite an die DIN-Schiene bzw. der Halterungsschiene an und rasten Sie das untere Ende ein.
3. Fahren Sie mit den Anweisungen für die entsprechende Sensoreinheit (siehe unten) fort.



Installation der AXIS P1204-Sensoreinheit

Wichtig

Das Gehäuse der AXIS P1204-Sensoreinheit ist nicht für den Einsatz im Außenbereich geeignet. Dieses Produkt darf nur in Innenräumen installiert werden.

Die AXIS P1204 kann auf drei unterschiedliche Arten montiert werden:

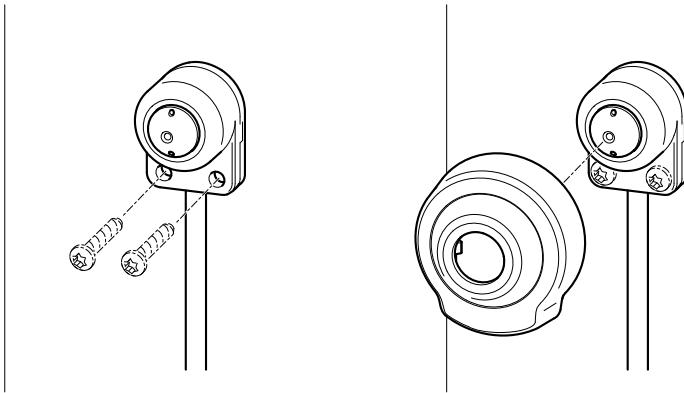
- Direkte Montage
- Montage mit Winkelhalterung

- Verdeckte Montage hinter dünnen Materialien, z. B. Blechen an Türrahmen oder Geldautomaten

Direkte Installation

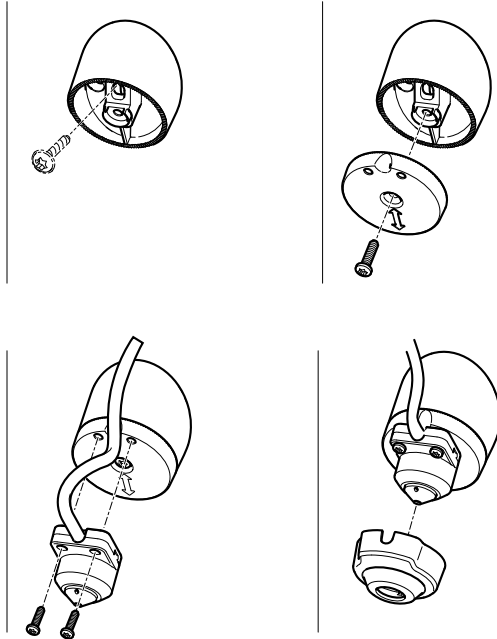
1. Befestigen Sie die Kamera an der Wand oder Decke. Verwenden Sie dabei die für das jeweilige Material geeigneten Schrauben und Dübel.
2. Setzen Sie die Abdeckung auf.
3. Fahren Sie mit dem Abschnitt „Anschließen der Kabel“ fort. Siehe *Anschließen der Kabel auf Seite 72*.

DE



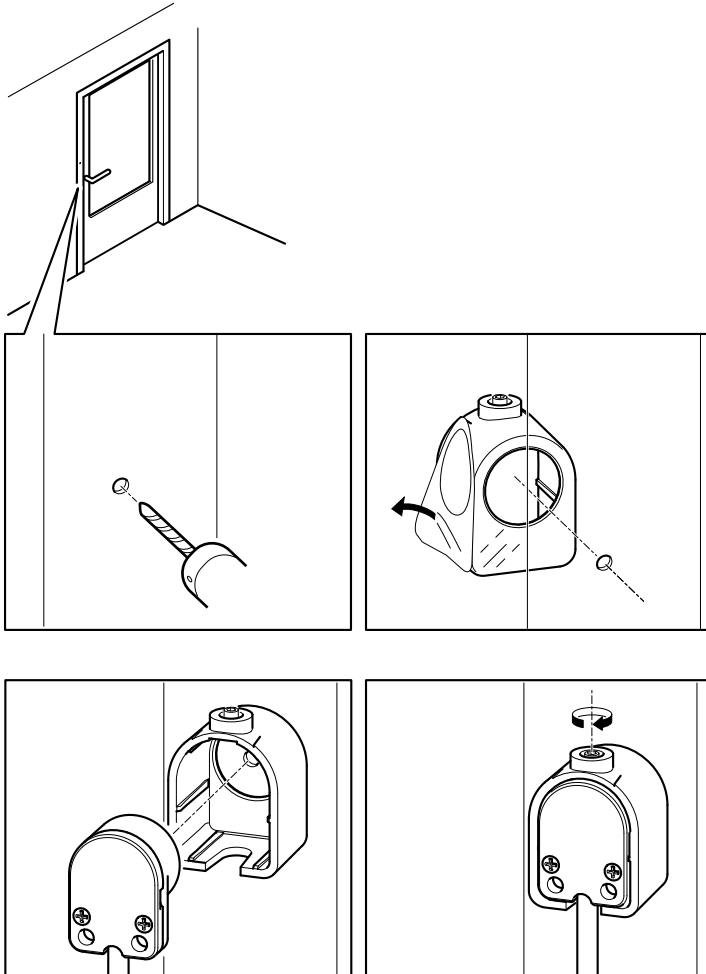
Installation mit der Winkelhalterung

1. Befestigen Sie die Winkelhalterung an der Wand oder Decke. Verwenden Sie dabei die für das jeweilige Material geeigneten Schrauben und Dübel. Stellen Sie sicher, dass die Halterung auf den zu überwachenden Bereich ausgerichtet ist.
2. Montieren Sie die Platte mit der Schraube, sodass die Pfeile vertikal bzw. horizontal ausgerichtet sind.
3. Befestigen Sie die Kamera mit zwei Schrauben an der Platte.
4. Setzen Sie die Abdeckung auf.
5. Fahren Sie mit dem Abschnitt „Anschließen der Kabel“ fort. Siehe *Anschließen der Kabel auf Seite 72*.



Verdeckte Installation

1. Bohren Sie ein Loch mit 3 mm Durchmesser in die Wand bzw. Decke. Wenn die Materialstärke mehr als 1 mm beträgt, muss das Loch ggf. mit einem Ansenker erweitert werden.
2. Ziehen Sie die Schutzabdeckung von den Klebeflächen und befestigen Sie die gerade Montagehalterung an der Wand.
3. Setzen Sie die Kamera in die Halterung ein und befestigen Sie sie mit der Arretierschraube. Stellen Sie sicher, dass der Kamerakegel nicht aus der Wand herausragt.
4. Fahren Sie mit dem Abschnitt „Anschließen der Kabel“ fort. Siehe *Anschließen der Kabel auf Seite 72*.



Installation der AXIS P1214-/AXIS P1224-E-Sensoreinheit

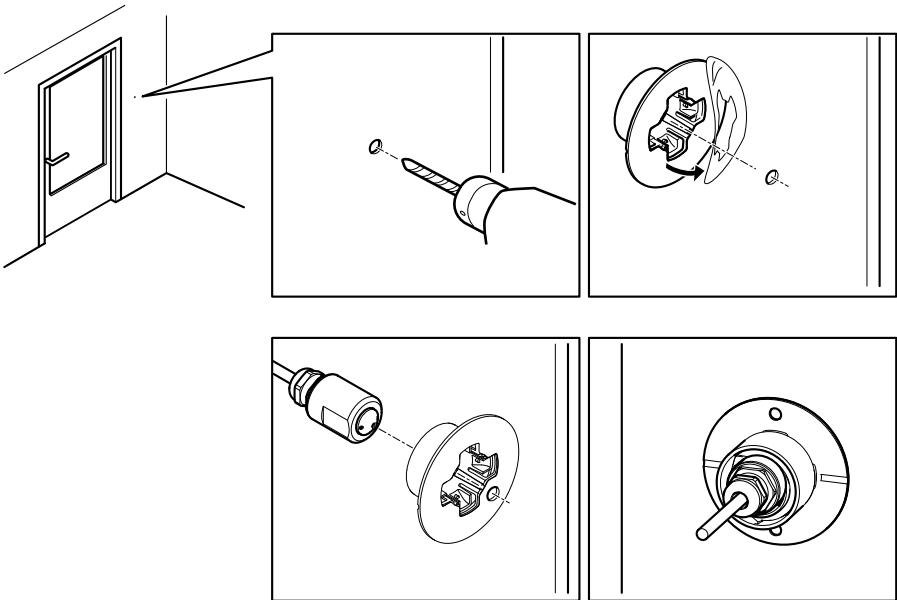
Wichtig

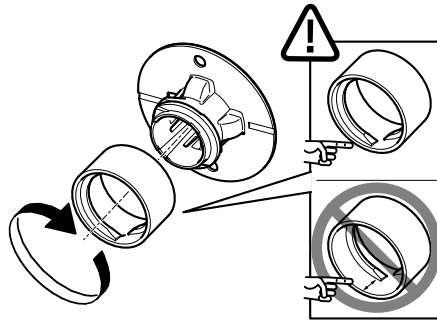
Das Gehäuse der AXIS P1214-Sensoreinheit ist nicht für den Einsatz im Außenbereich geeignet. Dieses Produkt darf nur in Innenräumen installiert werden.

Die AXIS P1214/AXIS P1224-E kann hinter jeder beliebigen Wand montiert werden. In der Wand ist lediglich eine kleine Öffnung für das Objektiv erforderlich. Eine Installation, bei der das gesamte Objektiv aus der Wand herausragt, ist ebenfalls möglich.

AXIS P12 Network Camera Series

- Bohren Sie ein Loch mit 20 mm Durchmesser in die Wand. Bohren Sie komplett durch das Material oder verwenden Sie einen Ansenker, wenn eine kleinere Öffnung entstehen soll.
- Ziehen Sie die Schutzabdeckung von den Klebeflächen und befestigen Sie die Montagehalterung an der Wand. Sichern Sie die Halterung ggf. mit zwei Schrauben. Entsprechende Bohrungen sind vorhanden.
- Setzen Sie die Kamera ein und ziehen Sie den Verschlussring fest wie im nachfolgenden Bild gezeigt. Positionieren Sie die Kamera so, dass die flache Seite am Gewinde vertikal oder horizontal ausgerichtet ist.
- Fahren Sie mit dem Abschnitt „Anschließen der Kabel“ fort. Siehe *Anschließen der Kabel auf Seite 72*.



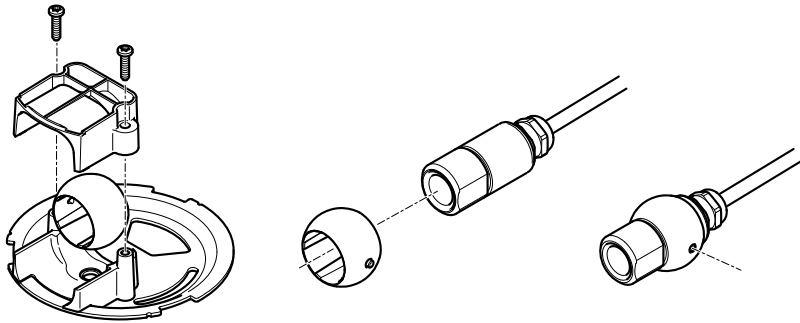


Installation der AXIS P1214-E-Sensoreinheit

Die AXIS P1214-E kann wie die AXIS P1214/AXIS P1224-EE montiert werden. Siehe *Seite 69*.

Die AXIS P1214-E kann wahlweise mit dem beiliegenden Gehäuse für Außenbereiche montiert werden. Die Kabel können durch die Wand direkt in das Gehäuse oder durch eine der Ausstanzungen in der Abdeckung geführt werden.

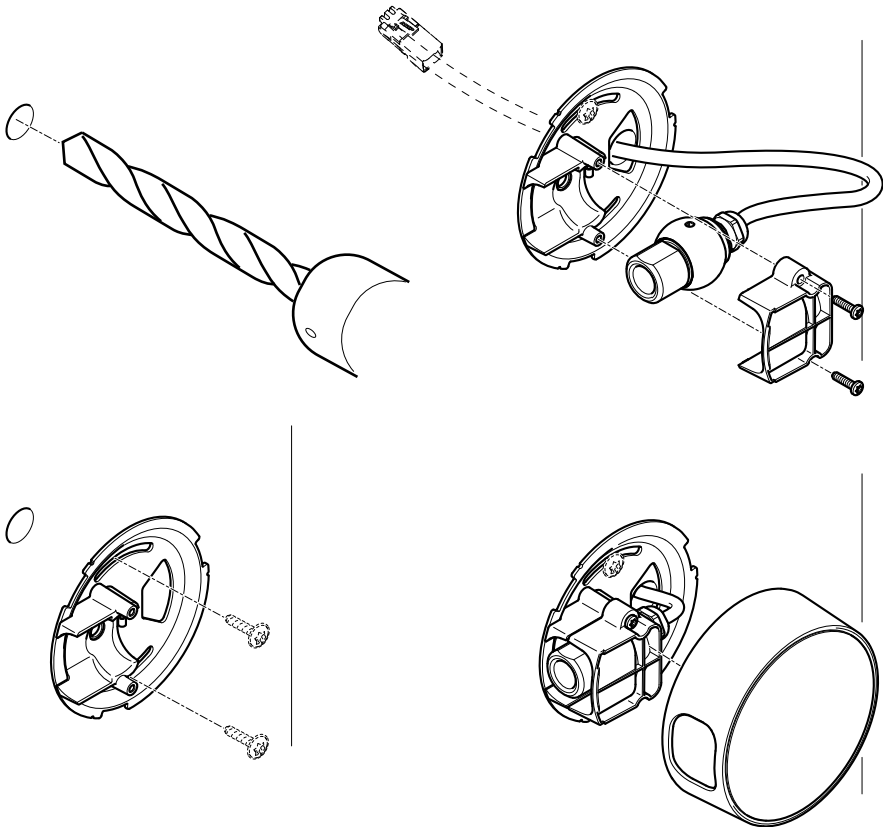
1. Entfernen Sie die beiden Schrauben und die Halterung.
2. Setzen Sie die Kamera in das Kugelgelenk ein und befestigen Sie sie mit der Arretierschraube.



3. Bohren Sie ein Loch durch die Wand oder entfernen Sie eine der Ausstanzungen in der Abdeckung.
4. Befestigen Sie die Platte mit den geeigneten Schrauben und Dübeln an der Wand. Stellen Sie sicher, dass die Kamerahalterung auf den zu überwachenden Bereich ausgerichtet ist. Richten Sie bei einer Führung der Kabel durch die Wand die Ausstanzung in der Platte auf die Bohrung in der Wand aus.

AXIS P12 Network Camera Series

5. Setzen Sie die Kugel in den Sockel ein und befestigen Sie die Halterung mit den Schrauben. Richten Sie die Kamera von der Wand weg aus, bevor Sie die Schrauben festziehen. Positionieren Sie die Kamera so, dass die flache Seite am Gewinde vertikal oder horizontal ausgerichtet ist.
6. Führen Sie das Kabel durch die Wand oder durch die Ausstanzung in der Abdeckung.
7. Bringen Sie die Abdeckung an.
8. Fahren Sie mit dem Abschnitt „Anschließen der Kabel“ fort. Siehe *Anschließen der Kabel auf Seite 72*.



Anschließen der Kabel

1. Sie können zusätzlich externe E/A-Geräte wie z. B. Alarmanlagen anschließen. Informationen zur Anschlussbelegung finden Sie unter *Anschlüsse und Tasten auf Seite 62*.

2. Verbinden Sie die Haupteinheit mithilfe eines abgeschirmten Netzkabels mit dem Netzwerk.
3. Schließen Sie die Sensoreinheit an die Haupteinheit an. Das Kabel kann bei Bedarf gekürzt werden. Siehe *Kürzen des Kabels der Sensoreinheit auf Seite 73*.
4. Schließen Sie die Kamera auf eine der folgenden Arten an die Stromversorgung an:
 - PoE (Power over Ethernet, Klasse 2). PoE wird beim Anschließen des Netzkabels automatisch erkannt.
 - Stromversorgung über den Netzanschluss. Informationen zur Anschlussbelegung finden Sie unter *Anschlüsse und Tasten auf Seite 62*.
5. Überprüfen Sie, ob die LEDs die Betriebszustände korrekt angeben. Ausführliche Informationen finden Sie unter . Beachten Sie, dass LEDs deaktiviert sein können und deshalb nicht leuchten.

Kürzen des Kabels der Sensoreinheit

Im Lieferumfang der Sensoreinheit ist ein Kabel enthalten. Beachten Sie, dass dieses Kabel nicht verlängert werden kann. Kürzen Sie das Kabel anhand folgender Schritte:

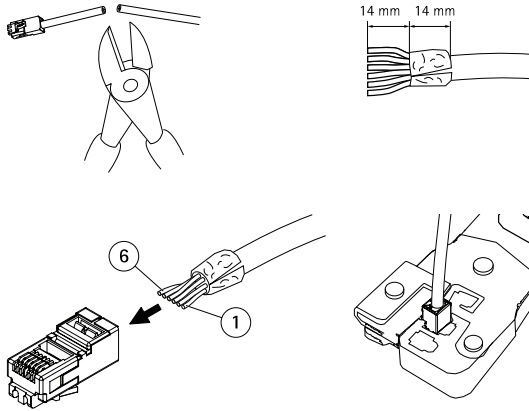
1. Schneiden Sie das Kabel auf die gewünschte Länge zu. Messen Sie die Länge ab der Sensoreinheit.
2. Entfernen Sie die Kunststoffbeschichtung vom Kabelende.
3. Ziehen Sie die Abdeckung ab.
4. Sortieren Sie die Kabel in folgender Reihenfolge:

1	Braun
2	Weiß/Braun
3	Nicht verwendet
4	Nicht verwendet
5	Weiß/Blau
6	Blau

HINWEIS

Stellen Sie sicher, dass die richtige Reihenfolge der Adern erhalten bleibt und dass sich Kabel- und Steckerabschirmung berühren.

5. Führen Sie die Adern vollständig in einen abgeschirmten 6P6C RJ12-Stecker ein.
6. Crimpen Sie den Stecker auf das Kabel.



Zugriff auf das Produkt

Für die Suche nach Axis Produkten im Netzwerk und zur Zuweisung einer IP-Adresse unter Windows® werden AXIS IP Utility und AXIS Camera Management empfohlen. Beide Anwendungen sind kostenlos und können von unserer Website unter www.axis.com/techsup heruntergeladen werden.

Das Produkt ist mit den meisten Betriebssystemen und Browsern kompatibel. Empfohlen werden folgende Browser:

- Internet Explorer® unter Windows®
- Safari® unter OS X®
- Chrome™ oder Firefox® unter anderen Betriebssystemen

Weitere Informationen zur Nutzung dieses Produkts finden Sie im Benutzerhandbuch unter www.axis.com.

Zurücksetzen auf Werkseinstellungen

Wichtig

Das Zurücksetzen auf die Werkseinstellungen sollte mit Vorsicht verwendet werden. Beim Zurücksetzen auf die Werkseinstellungen werden alle Einstellungen einschließlich der IP-Adresse auf die Werkseinstellungen zurückgesetzt.

Beachten

Die Software-Tools für Installation und Verwaltung sind über die Supportseiten unter www.axis.com/techsup verfügbar.

So wird das Produkt auf die werksseitigen Standardeinstellungen zurückgesetzt:

Die Parameter können auch über die Weboberfläche auf die Werkseinstellungen zurückgesetzt werden. Rufen Sie **Setup > System Options > Maintenance (Setup > Systemoptionen > Wartung)** auf und klicken Sie auf **Default (Standard)**.

Weitere Informationen

Unter www.axis.com finden Sie die neuste Version dieses Dokuments.

Das Benutzerhandbuch steht unter www.axis.com zur Verfügung.

Unter www.axis.com/techsup finden Sie Firmware-Aktualisierungen für Ihre Netzwerkprodukte. Um die aktuell installierte Firmware-Version zu sehen, gehen Sie auf **Setup > About (Setup > Über)**.

Besuchen Sie das Axis-Schulungszentrum www.axis.com/academy für anregende Schulungen, Webinare, Lernprogramme und Anleitungen.

Gewährleistungsinformationen

Informationen zur Gewährleistung der Axis Produkte und andere, hierzu relevante Informationen, finden Sie unter www.axis.com/warranty/

Informazioni di sicurezza

Leggere con attenzione questa guida all'installazione prima di installare il dispositivo. Conservare questo documento per usi futuri.

Livelli di pericolo

▲PERICOLO

Indica una situazione pericolosa che, se non evitata, provoca morte o lesioni gravi.

▲AVVERTENZA

Indica una situazione pericolosa che, se non evitata, potrebbe provocare la morte o lesioni gravi.

▲ATTENZIONE

Indica una situazione pericolosa che, se non evitata, può provocare lesioni medie o minori.

AVISO

Indica una situazione che, se non evitata, può danneggiare la proprietà.

Altri livelli di messaggio

Importante

Indica informazioni importanti, essenziali per il corretto funzionamento del dispositivo.

Nota

Indica informazioni utili che aiutano a ottenere il massimo dal dispositivo.

Informazioni di sicurezza

AWISO

- Il dispositivo Axis deve essere utilizzato in conformità alle leggi e alle disposizioni locali.
- Per utilizzare il dispositivo Axis in ambienti esterni, o in ambienti simili, deve essere installato in una custodia per esterni approvata.
- Conservare il dispositivo Axis in un ambiente asciutto e ventilato.
- Evitare di esporre il dispositivo Axis a urti o pressioni eccessive.
- Non installare il dispositivo su supporti, superfici o pareti instabili.
- Utilizzare solo strumenti idonei quando si installa il dispositivo Axis. Se si utilizza una forza eccessiva con strumenti non adatti è possibile causare danni al dispositivo.
- Non utilizzare sostanze chimiche, agenti caustici o detergenti aerosol.
- Utilizzare un panno pulito inumidito in acqua pura per la pulizia.
- Utilizzare solo accessori compatibili con le specifiche tecniche del dispositivo. Questi possono essere forniti da Axis o da terze parti.
- Utilizzare solo parti di ricambio fornite o consigliate da Axis.
- Non tentare di riparare il dispositivo da soli. Contattare l'assistenza o il rivenditore Axis per questioni relative alla manutenzione.

Trasporto

AWISO

- Durante il trasporto del dispositivo Axis, utilizzare l'imballaggio originale o equivalente per evitare danni al dispositivo.

Batteria

Il dispositivo Axis utilizza una batteria al litio da 3,0 V BR/CR1220 come alimentazione per il suo real-time clock (RTC) interno. In condizioni normali questa batteria avrà una durata minima di cinque anni.

Una bassa carica della batteria influisce sul funzionamento del RTC, facendolo resettare a ogni accensione. Quando la batteria deve essere sostituita, un messaggio di registro viene visualizzato nel server report del dispositivo. Per ulteriori informazioni sul report server, vedere le pagine di configurazione del dispositivo o contattare l'assistenza Axis.

La batteria non deve essere sostituita se non richiesto, ma nel caso in cui questo fosse necessario, contattare il supporto Axis all'indirizzo www.axis.com/techsup per assistenza.

La batteria a bottone al litio 3,0 V contiene 1,2-dimetossietano; etere dimetilico di glicole etilenico (EGDME), CAS n. 110-71-4.

⚠AVVERTENZA

- Rischio di esplosione se la batteria viene sostituita in modo errato.
- Sostituire solo con una batteria identica o una batteria consigliata da Axis.
- Smaltire le batterie usate in base alle normative locali o alle istruzioni del produttore della batteria.

Guida all'installazione

La presente Guida all'installazione fornisce le istruzioni necessarie per installare la telecamera di rete AXIS P12 nella rete in uso. Per ulteriori informazioni sull'utilizzo del prodotto, consultare la Guida per l'utente disponibile all'indirizzo www.axis.com.

Procedura di installazione

1. Assicurarsi che il contenuto della confezione, gli strumenti e altri materiali necessari per l'installazione siano in ordine. Consultare *pagina 81*.
2. Studiare la descrizione dell'hardware. Consultare *pagina 82*.
3. Studiare le specifiche. Consultare *pagina 87*.
4. Installare l'hardware. Consultare *pagina 89*.
5. Accedere al dispositivo. Consultare *pagina 98*.

IT

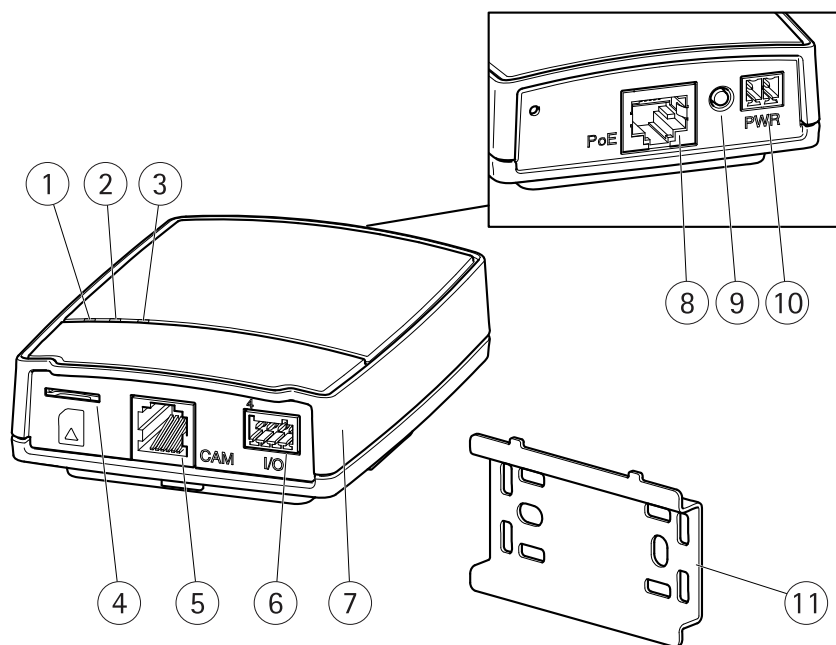
Contenuto della confezione

- Telecamera di rete
 - Unità principale
 - Unità sensore AXIS P1204/AXIS P1214/AXIS P1214-E/AXIS P1224-E
- Connettori
 - Morsettiera per alimentazione a 2 pin
 - Morsettiera I/O a 4 pin
- Accessori per il montaggio
 - Tutte le varianti: Guida di montaggio
 - AXIS P1204: Staffa di montaggio diritta , staffa di montaggio angolare, copertura
 - AXIS P1214/AXIS P1224-E: Staffa di montaggio
 - AXIS P1214-E: Staffa di montaggio, custodia per esterni
- Materiale cartaceo
 - Guida all'installazione della serie AXIS P12 (questo documento)
 - Chiave di autenticazione AVHS

Strumenti raccomandati

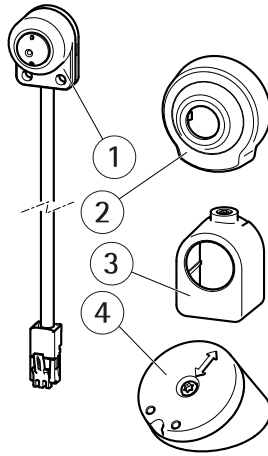
- Trapano – se si utilizza il kit di montaggio a soffitto
- Coltello – se si utilizza il kit di montaggio a controsoffitto
- Cacciavite Torx T30 – se si utilizza una staffa compatibile da accessori di montaggio di AXIS T91A

Panoramica dell'hardware



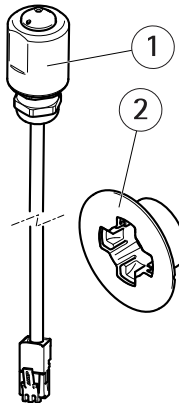
- 1 *Indicatore LED di alimentazione*
- 2 *Indicatore LED di stato*
- 3 *Indicatore LED di rete*
- 4 *Slot per scheda microSD*
- 5 *Connettore telecamera*
- 6 *Connettore I/O*
- 7 *Unità principale*
- 8 *Connettore di rete (PoE)*
- 9 *Pulsante di comando*
- 10 *Connettore di alimentazione*
- 11 *Guida di montaggio*

Unità sensore AXIS P1204 e accessori inclusi



- 1 *Unità sensore AXIS P1204*
- 2 *Cupola protettiva*
- 3 *Staffa di montaggio diritta*
- 4 *Staffa di montaggio angolare*

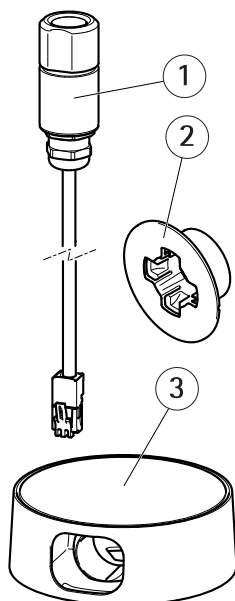
Unità sensore AXIS P1214 e accessori inclusi



- 1 *Unità sensore AXIS P1214*
- 2 *Staffa di montaggio*

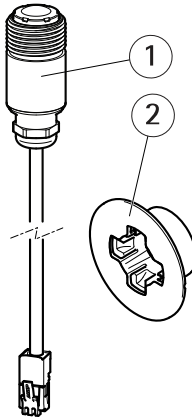
AXIS P12 Network Camera Series

Unità sensore AXIS P1214-E e accessori inclusi



- 1 *Unità sensore AXIS P1214-E*
- 2 *Staffa di montaggio*
- 3 *Custodia per ambienti esterni*

Unità sensore AXIS P1224-E e accessori inclusi



- 1 Unità sensore AXIS P1224-E
- 2 Staffa di montaggio

Indicatori LED

LED	Colore	Indicazione
Rete	Verde	Luce fissa per connessione di rete a 100 MBit/s. Luce lampeggiante: attività di rete.
	Giallo	Luce fissa per connessione di rete a 10 MBit/s. Luce lampeggiante: attività di rete.
	Spento	Assenza di connessione.
LED di stato	Verde	Luce verde fissa: condizioni di normale utilizzo.
	Giallo	Fissa durante l'avvio e quando si ripristinano le impostazioni.
	Rosso	Luce lampeggiante lenta: aggiornamento non riuscito.
	Spento	Nessuna connessione tra unità con sensore e unità principale.
Alimentazione	Verde	Normale utilizzo.
	Giallo	Luce lampeggiante verde/gialla: aggiornamento firmware.

Nota

- Il LED di stato può essere configurato per essere spento durante il normale funzionamento. Per configurarlo, selezionare **Setup > System Options > Ports & Devices > LED**

(Configurazione > Opzioni di sistema > Porte & Dispositivi > LED). Per ulteriori informazioni, consultare l'aiuto in linea.

- Il LED di stato può essere configurato per lampeggiare quando un evento è attivo.
- Il LED di stato può essere configurato per lampeggiare per identificare l'unità. Andare su Setup > System Options > Maintenance (Configurazione > Opzioni di sistema > Manutenzione).

Connettori e pulsanti

Per le specifiche e le condizioni di funzionamento, consultare *pagina 87*.

Connettore di rete

Connettore Ethernet RJ45 con Power over Ethernet (PoE+).

AWISO

Collegare il dispositivo con un cavo di rete schermato (STP). Tutti i cavi che collegano il dispositivo alla rete sono destinati al loro uso specifico. Accertarsi che i dispositivi di rete siano installati secondo le istruzioni del produttore. Per maggiori informazioni sui requisiti normativi, consultare *Electromagnetic Compatibility (EMC) on page 4*.

Connettore I/O

Utilizzare con dispositivi esterni in combinazione con, ad esempio, allarmi antimanomissione, rilevazione del movimento, attivazione di eventi, registrazione temporizzata e notifiche di allarme. Oltre al punto di riferimento 0 V CC e all'alimentazione (uscita CC), il connettore I/O fornisce l'interfaccia per:

- **Uscita digitale** – Per collegare dispositivi esterni come relè o LED. Le periferiche collegate possono essere attivate tramite VAPIX® API (interfaccia per la programmazione di applicazioni), tramite i pulsanti di comando della pagina Live View (Immagini dal vivo) oppure tramite l'opzione Action Rule (regola di azione). L'uscita verrà visualizzata come attiva (visualizzata in System Options > Ports & Devices (Opzioni di Sistema > Porte e Dispositivi)) se il dispositivo di allarme è attivato.
- **Ingresso digitale** – Ingresso allarme utilizzabile per collegare le periferiche, che può passare dal circuito chiuso al circuito aperto, ad esempio: Sensori di movimento (PIR), contatti porta/finestra, rilevatori di rottura vetri e così via. Dopo la ricezione del segnale lo stato cambia e l'ingresso diventa attivo (visualizzato in System Options > Ports & Devices (Opzioni di Sistema > Porte e Dispositivi)).

Connettore di alimentazione

Morsettiera a 2 pin per ingresso alimentazione. Utilizzare una sorgente di alimentazione limitata (LPS) compatibile con una bassissima tensione di sicurezza (SELV) con una potenza di uscita nominale limitata a ≤ 100 W o una corrente nominale di uscita limitata a ≤ 5 A.

Connettore RJ12

Il connettore RJ12 consente di collegare l'unità con sensore all'unità principale.

Per informazioni su come ridurre la lunghezza del cavo dell'unità con sensore, consultare *Accorciare il cavo dell'unità con sensore alla pagina 97*.

Pulsante di comando

Per l'ubicazione del pulsante di comando, vedere *Panoramica dell'hardware alla pagina 82*.

Il pulsante di comando viene utilizzato per:

- Ripristino del dispositivo alle impostazioni predefinite di fabbrica. Consultare *pagina 98*.
- Collegamento a un servizio AXIS Video Hosting System o AXIS Internet Dynamic DNS Service. Per ulteriori informazioni su questi servizi, consultare il Manuale Utente.

Slot per scheda SD

AVISO

- Rischio di danni alla scheda SD. Non utilizzare strumenti appuntiti o oggetti metallici e non esercitare eccessiva forza durante l'inserimento o la rimozione della scheda SD. Utilizzare le dita per inserire e rimuovere la scheda.
- Rischio di perdita di dati e danneggiamento delle registrazioni. Non rimuovere la scheda SD mentre il dispositivo è in funzione. Scollegare l'alimentazione ed effettuare l'unmount della scheda SD dalle pagine Web del dispositivo Axis prima di rimuoverla.

Questo dispositivo supporta schede microSD/microSDHC/microSDXC (scheda di memoria non inclusa).

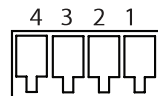
Per i consigli sulla scheda SD, visitare il sito Web www.axis.com.

Dati tecnici

Connettori

Connettore I/O

Morsettiera a 4 pin



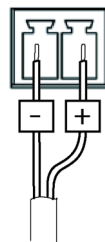
Per un esempio di schema, consultare *Schema delle connessioni alla pagina 89*.

AXIS P12 Network Camera Series

Funzione	Pin	Note	Specifiche
0 V CC (-)	1		0 V CC
Uscita CC	2	Il pin può essere utilizzato anche per alimentare una periferica ausiliaria. Nota: usare questo pin solo come uscita alimentazione.	3,3 V CC Carico massimo = 50 mA
Ingresso digitale	3	Collegare al pin 1 per attivarlo oppure lasciarlo isolato (scollegato) per disattivarlo	Da 0 a max 40 V CC
Uscita digitale	4	Collegare al pin 1 quando attiva, isolata (scollegata) quando inattiva. Se utilizzata con un carico induttivo, ad esempio un relè esterno, è necessario collegare un diodo in parallelo al carico per proteggere il dispositivo da sovratensioni.	Da 0 a max 40 V CC, open-drain, 100 mA

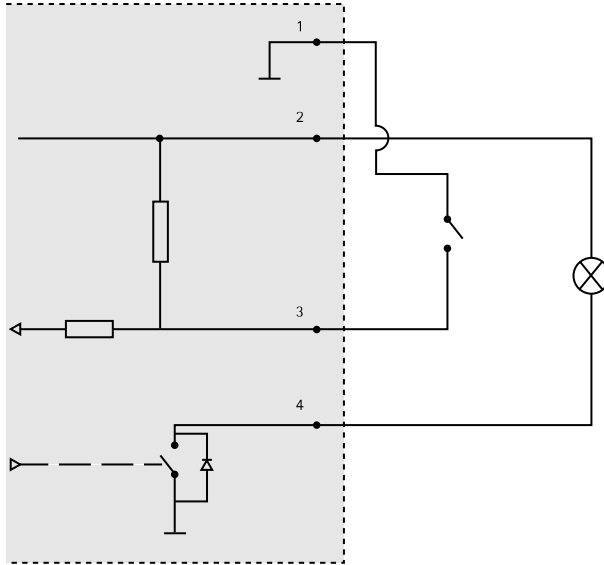
Connettore di alimentazione

Morsettiera a 2 pin per ingresso alimentazione CC. Utilizzare una sorgente di alimentazione limitata (LPS) compatibile con una bassissima tensione di sicurezza (SELV) con una potenza di uscita nominale limitata a ≤ 100 W o una corrente nominale di uscita limitata a ≤ 5 A.



Schema delle connessioni

Connettore I/O



- 1 0 V CC (-)
- 2 Uscita CC 3,3 V, max 50 mA
- 3 Ingresso digitale da 0 a max 40 V CC
- 4 Ingresso digitale da 0 a max 40 V CC, open-drain, 100 mA

Installare l'hardware

Importante

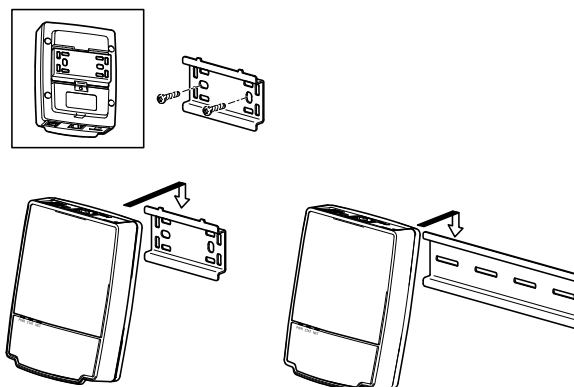
La custodia dell'unità principale non è approvata per l'utilizzo in ambienti esterni. Il dispositivo può essere installato solo in ambienti interni.

Annotare il numero di serie (S/N) situato sull'etichetta del prodotto. Il numero è talvolta richiesto durante l'installazione.

È possibile montare l'unità principale su una guida DIN o utilizzando la guida di montaggio fornita.

1. Se si utilizza la guida di montaggio, fissarla con le viti alla parete o al soffitto, utilizzando viti e tasselli adeguati al materiale della parete o del soffitto. Notare la direzione delle due linguette sulla guida: le linguette sono allineate al lato superiore dell'unità principale.

2. Fissare l'estremità superiore dell'unità principale alla guida DIN o alla guida di montaggio e far scattare l'estremità inferiore in posizione.
3. Procedere con le istruzioni per l'unità sensore appropriata riportate di seguito.



Come installare l'unità sensore AXIS P1204

Importante

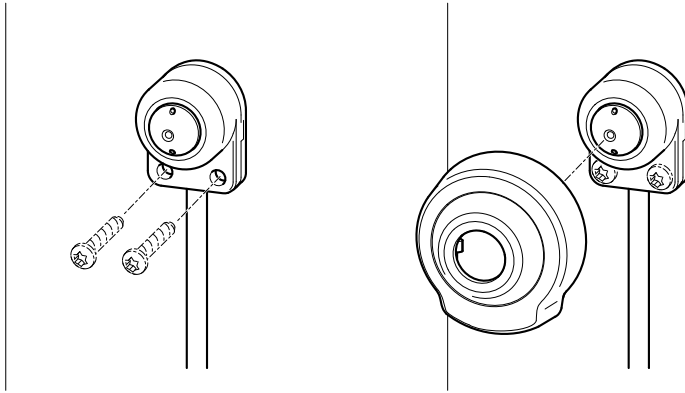
La custodia dell'unità sensore AXIS P1204 non è approvata per l'utilizzo in ambienti esterni. Il dispositivo può essere installato solo in ambienti interni.

L'unità AXIS P1204 può essere montata in tre modi diversi:

- Dritta su qualsiasi superficie.
- Ad angolo su qualsiasi superficie usando la staffa di fissaggio ad angolo.
- Nascosta dietro un materiale sottile, ad esempio una lamiera metallica di uno stipite o un bancomat.

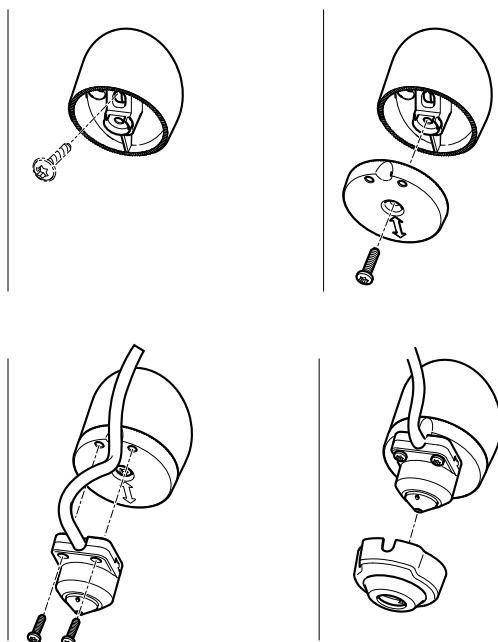
Installazione su una superficie piana

1. Fissare la telecamera alla parete o al soffitto mediante viti e tasselli appropriati.
2. Montare la copertura.
3. Procedere con la connessione dei cavi, consultare *Collegamento dei cavi alla pagina 96*.



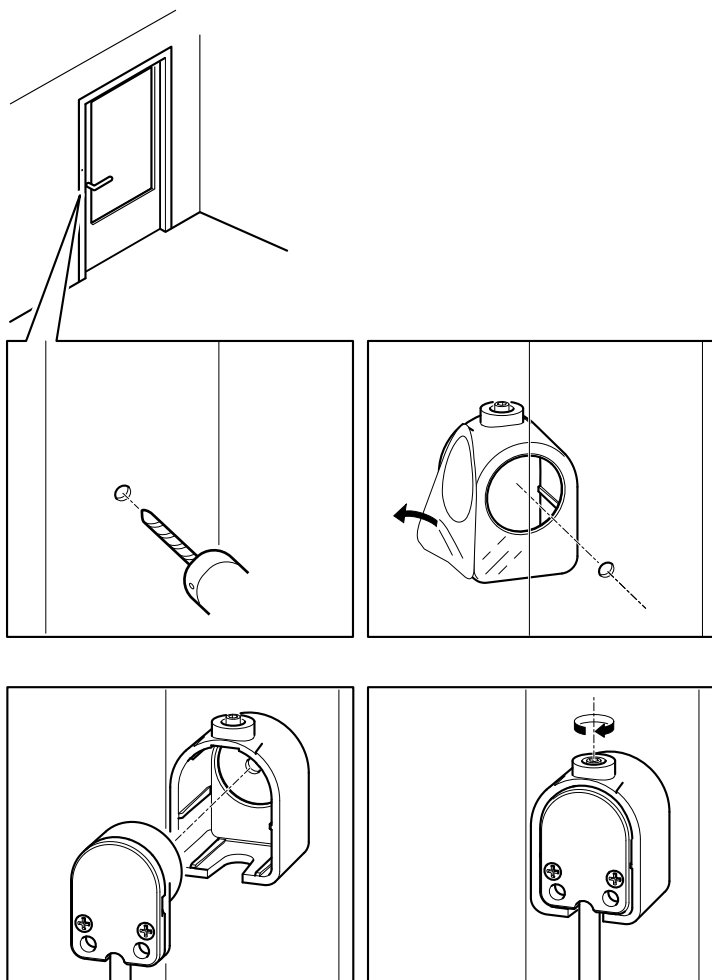
Installazione su una superficie ad angolo

1. Bloccare la staffa di montaggio ad angolo alla parete o al soffitto mediante viti e tasselli appropriati. Assicurarsi che la staffa punti sia rivolta verso l'area che deve essere monitorata.
2. Assemblare la piastra con la vite e allinearla in modo che le frecce siano verticali o orizzontali.
3. Fissare la telecamera alla piastra con due viti.
4. Montare la copertura.
5. Procedere con la connessione dei cavi, consultare *Collegamento dei cavi alla pagina 96*.



Installazione nascosta

1. Creare un foro da 3 mm di diametro nel parete o nel soffitto. Se il materiale è più spesso di 1 mm può essere necessario ampliare il foro con una taglierina svasata.
2. Tirare la protezione sull'adesivo e fissare la staffa di montaggio direttamente alla parete.
3. Inserire la telecamera nella staffa e fissare con la vite di arresto. Assicurarsi che il cono della fotocamera sia allineato alla parete.
4. Procedere con la connessione dei cavi, consultare *Collegamento dei cavi alla pagina 96*.



Come installare l'unità sensore AXIS P1214/AXIS P1224-E

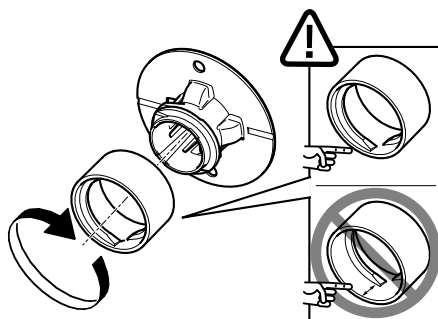
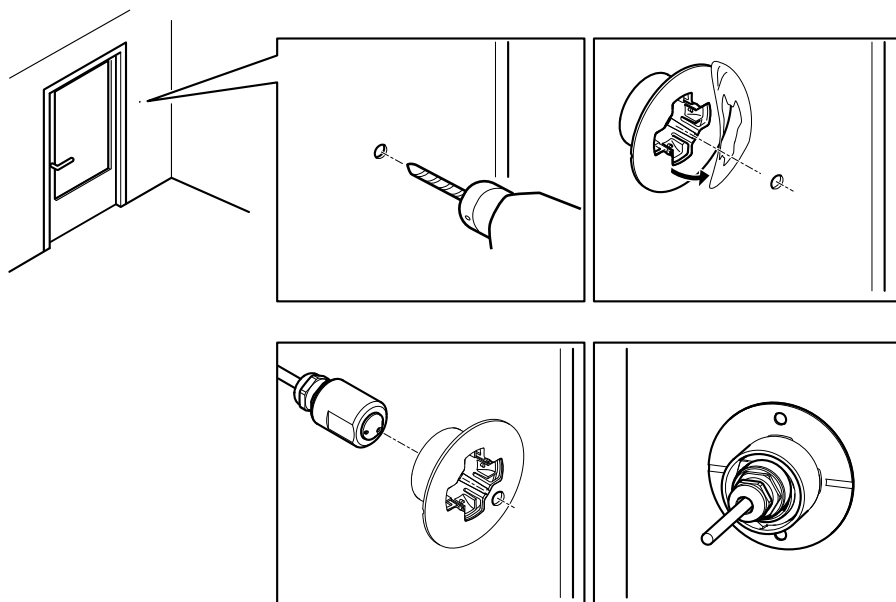
Importante

La custodia dell'unità sensore AXIS P1214 non è approvata per l'utilizzo in ambienti esterni. Il dispositivo può essere installato solo in ambienti interni.

AXIS P1214/AXIS P1224-E può essere montato dietro qualsiasi parete dotata di una piccola apertura per l'obiettivo o con tutto il gruppo obiettivo sporgente attraverso la parete.

AXIS P12 Network Camera Series

- Praticare un foro di 20 mm di diametro nella parete o completamente attraverso il materiale oppure utilizzare una taglierina svasata per avere un'apertura più piccola.
- Tirare la protezione sull'adesivo e fissare la staffa di montaggio alla parete. Opzionalmente fissare la staffa con due viti attraverso i fori.
- Inserire la telecamera e stringere l'anello di bloccaggio, come indicato nell'immagine seguente. Posizionare la telecamera in modo che la superficie piana sulla filettatura sia verticale o orizzontale.
- Procedere con la connessione dei cavi, consultare *Collegamento dei cavi alla pagina 96*.

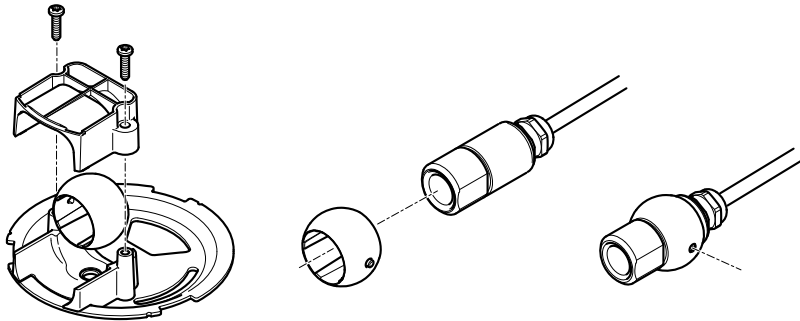


Come installare l'unità sensore AXIS P1214-E

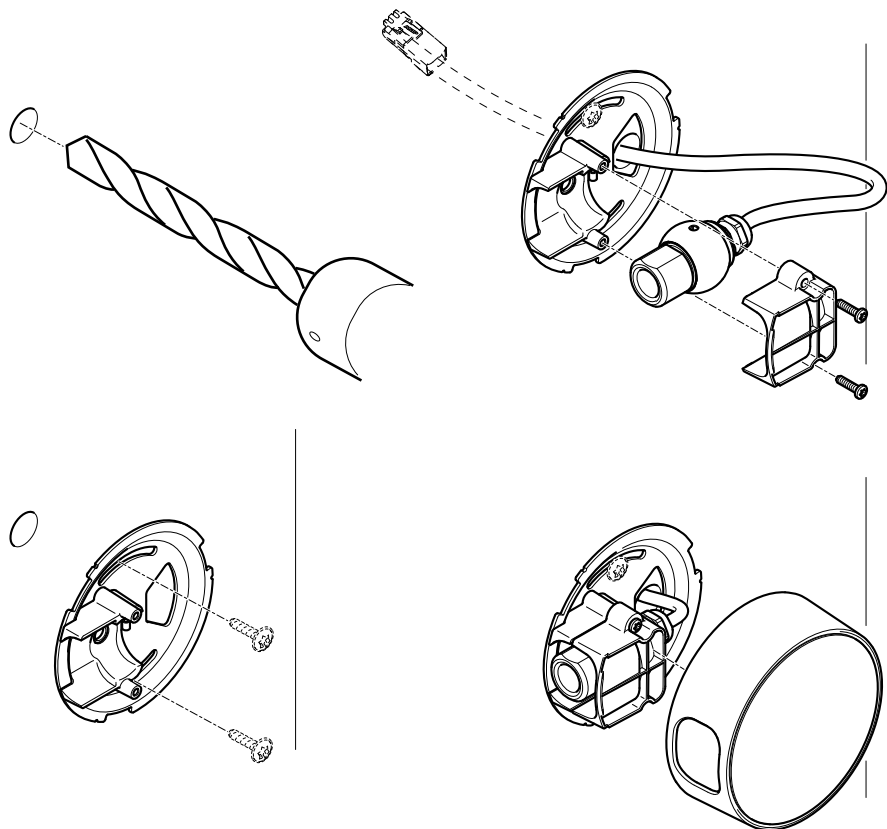
L'unità sensore AXIS P1214-E può essere montata come la telecamera AXIS P1214/AXIS P1224-EE, vedere *pagina 93*.

AXIS P1214-E può essere installata anche nell'alloggiamento per ambienti esterni fornito. I cavi possono essere inseriti attraverso la parete direttamente nell'alloggiamento oppure attraverso uno dei fori predisposti della copertura.

1. Rimuovere le due viti e la staffa.
2. Inserire la telecamera nel giunto a sfera e fissare con la vite di arresto.



3. Praticare un foro nella parete o rimuovere uno dei fori della copertura.
4. Fissare la piastra alla parete utilizzando viti e tasselli idonei al materiale della parete. Assicurarsi che la staffa della telecamera punti sia rivolta verso l'area che deve essere monitorata. Se il cavo viene inserito attraverso la parete, allineare la prefabbricazione della piastra con il foro nella parete.
5. Posizionare la sfera nel connettore e fissare la staffa con le viti. Allontanare la telecamera dalla parete prima di stringere le viti. Posizionare la telecamera in modo che la superficie piana sulla filettature sia verticale o orizzontale.
6. Inserire il cavo attraverso la parete o il foro predisposto della copertura.
7. Fissare la copertura.
8. Procedere con la connessione dei cavi, consultare *Collegamento dei cavi alla pagina 96*.



Collegamento dei cavi

1. Collegare gli altri dispositivi di input/output esterni (opzionali) come eventuali sistemi di allarme. Per informazioni sui pin del connettore, consultare *Connettori e pulsanti alla pagina 86*.
2. Collegare l'unità principale alla rete mediante un cavo di rete schermato.
3. Collegare l'unità con sensore all'unità principale. Se necessario, il cavo può essere accorciato, consultare *Accorciare il cavo dell'unità con sensore alla pagina 97*.
4. Collegare l'alimentazione mediante uno dei metodi elencati di seguito:
 - PoE (Power over Ethernet, classe 2). Se disponibile, questo tipo di alimentazione viene automaticamente rilevato al momento della connessione del cavo di rete.
 - Utilizzare la morsettiera di alimentazione. Per informazioni sui pin del connettore, consultare *Connettori e pulsanti alla pagina 86*.

5. Verificare che i LED indichino le condizioni di funzionamento corrette. Per ulteriori informazioni, vedere . Si noti che alcuni LED possono essere disabilitati o spenti.

Accorciare il cavo dell'unità con sensore

L'unità con sensore è dotata di un cavo. Si noti che questo cavo non può essere esteso. Attenersi alla procedura seguente per accorciare il cavo:

1. Tagliare il cavo della lunghezza desiderata. Eseguire la misurazione dall'unità con sensore.
2. Rimuovere il rivestimento esterno di plastica dall'estremità del cavo.
3. Togliere la schermatura.
4. Appiattire i cavi colorati nell'ordine indicato di seguito.

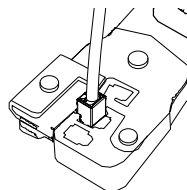
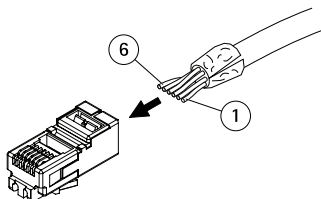
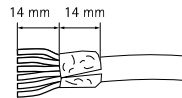
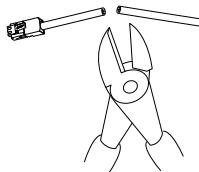
1	Marrone
2	Bianco/marrone
3	Non utilizzato
4	Non utilizzato
5	Bianco/blu
6	Blu

IT

AVVISO

Verificare che i cavi siano disposti nell'ordine corretto e che la schermatura del cavo sia a contatto con quella del connettore.

5. Inserire fino in fondo i cavi in un connettore RJ12 6P6C schermato.
6. Utilizzare una crimpatrice per fissare il connettore al cavo.



Accedere al dispositivo

AXIS IP Utility e AXIS Camera Management sono i metodi consigliati per trovare i dispositivi Axis in rete e assegnare loro un indirizzo IP in Windows®. Queste applicazioni sono entrambe gratuite e possono essere scaricate da www.axis.com/techsup

Il dispositivo può essere utilizzato con la maggior parte dei sistemi operativi e dei browser. I browser consigliati sono i seguenti:

- Internet Explorer® con Windows®
- Safari® con OS X®
- Chrome™ o Firefox® con altri sistemi operativi.

Per ulteriori informazioni sull'utilizzo del dispositivo, consultare la guida per l'utente disponibile sul sito Web www.axis.com

Ripristino dei valori predefiniti di fabbrica

Importante

Il ripristino delle impostazioni di fabbrica deve essere usato con cautela. Un ripristino delle impostazioni di fabbrica consentirà di ripristinare le impostazioni di fabbrica per tutti i parametri, incluso l'indirizzo IP.

Nota

Gli strumenti per l'installazione e la gestione del software sono disponibili nelle pagine dedicate all'assistenza sul sito Web www.axis.com/techsup.

Per ripristinare il dispositivo alle impostazioni predefinite di fabbrica:

È anche possibile reimpostare i parametri alle impostazioni predefinite di fabbrica mediante l'interfaccia Web. Andare a **Setup > System Options > Maintenance (Configurazione > Opzioni di sistema > Manutenzione)** e fare clic su **Default (Predefinito)**.

Ulteriori Informazioni

Per la versione più recente di questo documento, visitare il sito all'indirizzo www.axis.com

Il Manuale per l'utente è disponibile all'indirizzo www.axis.com

Visitare il sito all'indirizzo www.axis.com/techsup per verificare se sono stati pubblicati aggiornamenti del firmware per il proprio dispositivo di rete. Per conoscere la versione del firmware installata, andare su **Setup > About (Impostazioni > Informazioni su)**.

Visitare il centro di apprendimento Axis alla pagina www.axis.com/academy per servizi di formazione utili, webinar, tutorial e guide.

Informazioni sulla garanzia

Per informazioni sulla garanzia del dispositivo Axis e informazioni ad esso relative, consultare la pagina www.axis.com/warranty/

Información de seguridad

Lea esta Guía de instalación con atención antes de instalar el producto. Guarde la Guía de instalación para poder consultarla en otro momento.

Niveles de peligro

▲PELIGRO

Indica una situación peligrosa que, si no se evita, provocará lesiones graves o la muerte.

▲ADVERTENCIA

Indica una situación peligrosa que, si no se evita, puede provocar lesiones graves o la muerte.

▲ATENCIÓN

Indica una situación peligrosa que, si no se evita, puede provocar lesiones moderadas o leves.

AVISO

Indica una situación peligrosa que, si no se evita, puede provocar daños materiales.

ES

Otros niveles de mensaje

Importante

Indica información importante que es fundamental para que el producto funcione correctamente.

Nota

Indica información útil que ayuda a aprovechar el producto al máximo.

Instrucciones de seguridad

AVISO

- El producto de Axis debe utilizarse de acuerdo con las leyes y normativas locales.
- Para usar el producto de Axis en exteriores, o en entornos similares, debe instalarse en una carcasa exterior aprobada.
- Almacene el producto de Axis en un entorno seco y ventilado.
- Evite la exposición del producto de Axis a choques o a una fuerte presión.
- No instale el producto en soportes, superficies o paredes inestables.
- Utilice solo las herramientas correspondientes cuando instale el producto de Axis. La aplicación de una fuerza excesiva con herramientas eléctricas puede provocar daños en el producto.
- No utilice limpiadores en aerosol, agentes cáusticos ni productos químicos.
- Limpie con un paño limpio humedecido con agua pura.
- Utilice solo accesorios que cumplan con las especificaciones técnicas del producto. Estos accesorios los puede proporcionar Axis o un tercero.
- Utilice solo piezas de repuesto proporcionadas o recomendadas por Axis.
- No intente reparar el producto usted mismo. Póngase en contacto con el servicio de asistencia técnica de Axis o con su distribuidor de Axis para tratar asuntos de reparación.

Transporte

AVISO

- Cuando transporte el producto de Axis, utilice el embalaje original o un equivalente para evitar daños en el producto.

Batería

Este producto de Axis utiliza una batería de litio BR/CR1220 de 3,0 V como fuente de alimentación del reloj interno en tiempo real. En condiciones normales, esta batería durará un mínimo de cinco años.

Un nivel bajo de batería afectará al funcionamiento del reloj en tiempo real, lo que provocará el restablecimiento de este cada vez que se encienda el producto. Cuando sea necesario sustituir la batería, aparecerá un mensaje de registro en el informe del servidor del producto. Para obtener más información sobre el informe del servidor, consulte las páginas de configuración del producto o póngase en contacto con el servicio de asistencia técnica de Axis.

La batería no debe sustituirse a menos que sea necesario; no obstante, si precisa hacerlo, póngase en contacto con el servicio de asistencia técnica de Axis en www.axis.com/techsup para solicitar ayuda.

Las pilas de botón de litio de 3,0 V contienen 1,2-dimetoxietano; éter dimetílico de etilenglicol (EGDME), n.º CAS 110-71-4.

▲ADVERTENCIA

- La sustitución incorrecta de la batería implica riesgo de explosión.
- Sustituya la batería por una batería idéntica u otra batería recomendada por Axis.
- Deseche las baterías usadas de conformidad con la normativa local o las instrucciones del fabricante.

Guía de instalación

Esta Guía de instalación incluye las instrucciones necesarias para instalar la cámara de red AXIS P12 en su red. Para conocer otros aspectos de uso del producto, consulte el manual del usuario disponible en www.axis.com.

Pasos de la instalación

1. Asegúrese de que dispone del contenido del paquete, las herramientas y los demás materiales necesarios para la instalación. Vea *página 105*.
2. Estudie la información general del hardware. Vea *página 106*.
3. Estudie las especificaciones. Vea *página 112*.
4. Instale el hardware. Vea *página 113*.
5. Acceda al producto. Vea *página 122*.

ES

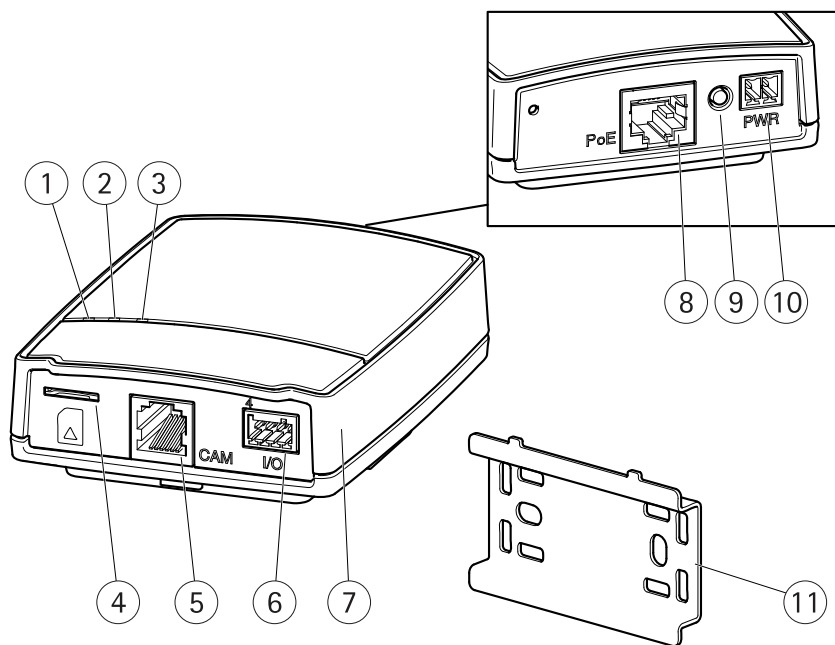
Contenido del paquete

- Cámara de red
 - Unidad principal
 - Unidad de sensor AXIS P1204/AXIS P1214/AXIS P1214-E/AXIS P1224-E
- Conectores
 - Bloque de terminales de 2 pines para alimentación
 - Bloque de conectores de E/S de 4 pines
- Accesorios de montaje
 - Todas las variantes: carril de montaje
 - AXIS P1204: escuadra de montaje recto, escuadra de montaje inclinado, cubierta
 - AXIS P1214/AXIS P1224-E: escuadra de montaje
 - AXIS P1214-E: escuadra de montaje, carcasa para exterior
- Materiales impresos
 - Guía de instalación de la serie AXIS P12 (este documento)
 - Clave de autenticación AVHS

Herramientas recomendadas:

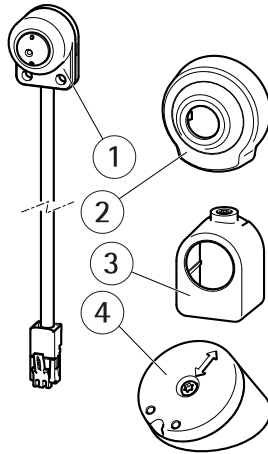
- Broca – si se usa el montaje en techo duro
- Cuchilla – si se usa el montaje en falso techo
- Destornillador Torx T30 – Si se usa una escuadra compatible de los accesorios de montaje AXIS T91A

Información general del hardware



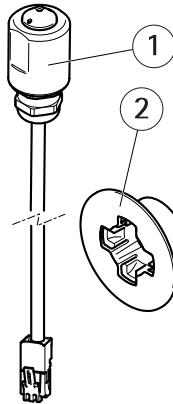
- 1 LED indicador de corriente
- 2 LED indicador de estado
- 3 LED indicador de red
- 4 Ranura para tarjetas microSD
- 5 Conector de cámara
- 6 Conector de E/S
- 7 Unidad principal
- 8 Conector de red (PoE)
- 9 Botón de control
- 10 Conector de alimentación
- 11 Carril de montaje

Unidad de sensor AXIS P1204 y accesorios incluidos



- 1 *Unidad de sensor AXIS P1204*
- 2 *Cubierta*
- 3 *Escuadra de montaje recto*
- 4 *Escuadra de montaje inclinado*

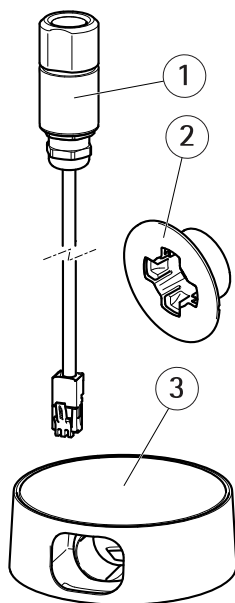
Unidad de sensor AXIS P1214 y accesorios incluidos



- 1 *Unidad de sensor AXIS P1214*
- 2 *Escuadra de montaje*

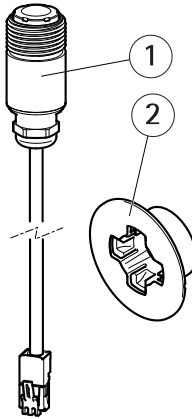
AXIS P12 Network Camera Series

Unidad de sensor AXIS P1214-E y accesorios incluidos



- 1 *Unidad de sensor AXIS P1214-E*
- 2 *Escuadra de montaje*
- 3 *Carcasa para exteriores*

Unidad de sensor AXIS P1224-E y accesorios incluidos



- 1 Unidad de sensor AXIS P1224-E
- 2 Escuadra de montaje

Indicadores LED

LED	Color	Indicación
Red	Verde	Fijo para indicar una conexión a una red de 100 MBits/s. Parpadea cuando hay actividad de red.
	Ámbar	Fijo para indicar una conexión a una red de 10 MBits/s. Parpadea cuando hay actividad de red.
	Apagado	No hay conexión a la red.
Estado	Verde	Verde fijo para indicar un funcionamiento normal.
	Ámbar	Fijo durante el inicio y al restaurar valores de configuración.
	Rojo	Parpadea despacio si se ha producido un error al actualizar.
	Apagado	No hay conexión entre la unidad de sensor y la unidad principal.
Alimentación	Verde	Funcionamiento normal.
	Ámbar	Parpadea en verde/ámbar durante la actualización del firmware.

Nota

- Se puede configurar el LED de estado para que se apague durante el funcionamiento normal. Para ello, vaya a **Setup > System Options > Ports & Devices > LED**

(Configuración > Opciones del sistema > Puertos y dispositivos > LED). Vea la ayuda en línea para obtener más información.

- Se puede configurar el LED Estado para que parpadee mientras haya un evento activo.
- Se puede configurar el LED Estado para que parpadee e identifique la unidad. Vaya a Setup > System Options > Maintenance (Configuración > Opciones del sistema > Mantenimiento).

Conectores y botones

Para conocer las especificaciones y las condiciones de funcionamiento, vea *página 112*.

Conector de red

Conector Ethernet RJ45 con alimentación a través de Ethernet (PoE).

AVISO

El producto se conectará mediante un cable de red blindado (STP). Todos los cables que conecten el producto a la red deberán estar blindados para su uso específico. Asegúrese de que los dispositivos de red estén instalados de conformidad con las instrucciones del fabricante. Para obtener información sobre los requisitos normativos, vea *Electromagnetic Compatibility (EMC) on page 4*.

Conector de E/S

Se utiliza con dispositivos externos combinados, por ejemplo, con alarmas antimanipulación, detección de movimiento, activación de eventos, grabación de intervalos de tiempo y notificaciones de alarma. Además del punto de referencia de 0 V CC y la potencia (salida de CC), el conector de E/S ofrece la interfaz para:

- **Salida digital:** para conectar dispositivos externos como relés y LED. Los dispositivos conectados se pueden activar mediante la Interfaz de programación de aplicaciones (API) VAPIX®, los botones de salida de la página Live View o mediante una regla de acción. La salida se mostrará activa (se indica en System Options > Ports & Devices (Opciones del sistema > Puertos y dispositivos)) si el dispositivo de alarma está activado.
- **Entrada digital:** una entrada de alarma para conectar dispositivos que puedan alternar circuitos cerrados y abiertos, como detectores PIR, contactos de puertas y ventanas, detectores de rotura de cristales, etc. Cuando se recibe una señal, el estado cambia y la entrada se vuelve activa (se indica en System Options > Ports & Devices (Opciones del sistema > Puertos y dispositivos)).

Conector de alimentación

Bloque de terminales de 2 pines para la entrada de alimentación. Use una fuente de alimentación limitada (LPS) que cumpla los requisitos de tensión muy baja de seguridad (SELV) con una potencia nominal de salida limitada a ≤ 100 W o una corriente nominal de salida limitada a ≤ 5 A.

Conector RJ12

El conector RJ12 se utiliza para conectar la unidad del sensor a la unidad principal.

Para obtener más información sobre cómo acortar el cable de la unidad del sensor, vea *Cómo acortar el cable de la unidad del sensor en la página 121*.

Botón de control

Para conocer la ubicación del botón de control, vea *Información general del hardware en la página 106*.

El botón de control se utiliza para lo siguiente:

- Restablecer el producto a la configuración predeterminada de fábrica. Consulte *página 122*.
- Conectarse a un servicio AXIS Video Hosting System o al Servicio de DNS dinámico de Internet de AXIS. Para obtener más información sobre estos servicios, consulte el Manual del usuario.

ES

Ranura para tarjetas SD

AVISO

- Riesgo de daños en la tarjeta SD. No utilice herramientas afiladas, objetos de metal ni ejerza demasiada fuerza al insertar o retirar la tarjeta SD. Utilice los dedos para insertar o extraer la tarjeta.
- Riesgo de pérdida de datos y grabaciones dañadas. No extraiga la tarjeta SD mientras el producto esté en funcionamiento. Desconecte la corriente o desinstale la tarjeta SD desde las páginas web de producto de Axis antes de retirarla.

Este producto admite tarjetas microSD/microSDHC/microSDXC (no incluidas).

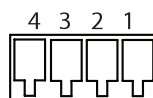
Para conocer las recomendaciones de tarjeta SD, consulte www.axis.com.

Especificaciones

Conectores

Conector de E/S

Bloque de terminales de 4 pines

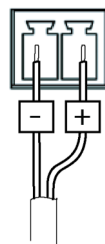


Para ver un ejemplo del diagrama, consulte *Diagramas de conexión en la página 113*.

Función	Pin	Notas	Especificaciones
0 V CC (-)	1		0 V CC
Salida de CC	2	Se puede utilizar para conectar el equipo auxiliar. Nota: Este pin solo se puede utilizar como salida.	3,3 V CC Carga máx. = 50 mA
Entrada digital	3	Conéctela al pin 1 para activarla o déjala suelta (desconectada) para desactivarla	De 0 a 40 V CC máx.
Salida digital	4	Conectada al pin 1 cuando se activa y suelta (sin conectar) cuando está desactivada. Si se utiliza con una carga inductiva (por ejemplo, un relé), debe conectarse un diodo en paralelo a la carga como protección ante transitorios de tensión.	De 0 a 40 V CC máx., drenaje abierto, 100 mA

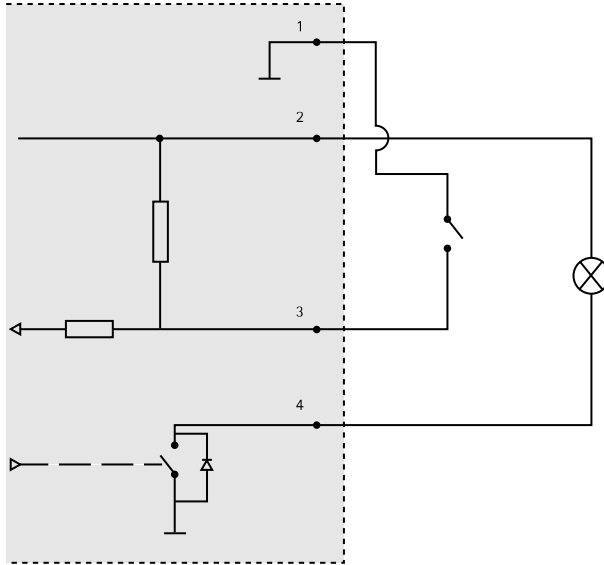
Conector de alimentación

Bloque de terminales de 2 pines para la entrada de alimentación de CC. Use una fuente de alimentación limitada (LPS) que cumpla los requisitos de tensión muy baja de seguridad (SELV) con una potencia nominal de salida limitada a ≤ 100 W o una corriente nominal de salida limitada a ≤ 5 A.



Diagramas de conexión

Conector de E/S



- 1 0 VCC (-)
- 2 Salida de CC: 3,3 V, 50 mA máx.
- 3 Entrada digital: de 0 a 40 VCC máx.
- 4 Salida digital: de 0 a 40 VCC máx., colector abierto, 100 mA

ES

Instalación del hardware

Importante

La carcasa de la unidad principal no se ha aprobado para su uso en exterior; de manera que este producto solo se puede instalar en interiores.

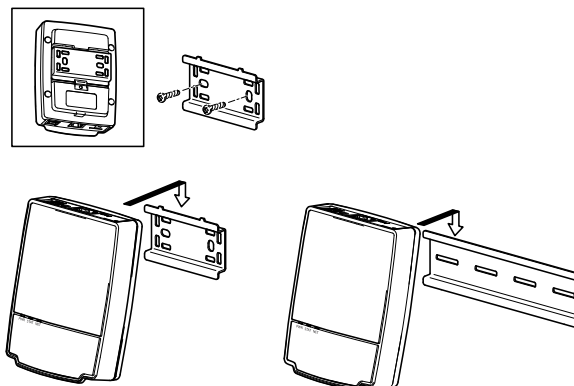
Anote el número de serie (S/N) ubicado en la etiqueta del producto. Es posible que lo necesite durante la instalación.

La unidad principal se puede montar en un carril DIN o mediante el carril de montaje suministrado.

1. Si se utiliza el carril de montaje, fíjelo con los tornillos a la pared o el techo mediante los tornillos y tacos apropiados para el material del que estén hechos. Tenga en cuenta la dirección de las dos pestañas del carril, las pestañas se alinean con el lado superior de la unidad principal.

AXIS P12 Network Camera Series

2. Fije el extremo superior de la unidad principal al carril DIN o al carril de montaje y encaje el extremo inferior en su sitio.
3. Siga con las instrucciones para la unidad de sensor correspondiente incluidas a continuación.



Cómo instalar la unidad de sensor AXIS P1204

Importante

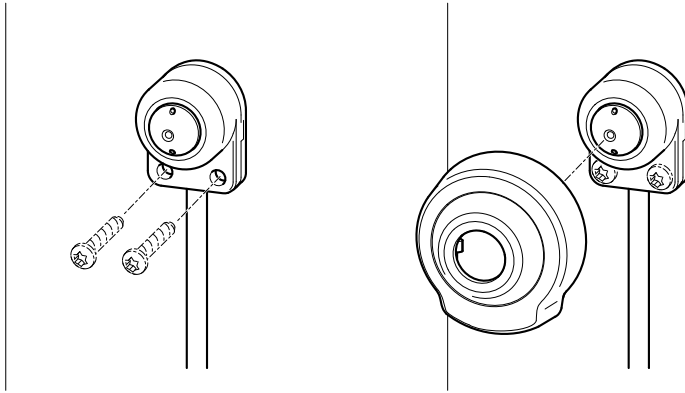
La carcasa de la unidad de sensor AXIS P1204 no se ha aprobado para su uso en exterior; de manera que este producto solo se puede instalar en interiores.

La AXIS P1204 se puede montar de tres formas diferentes:

- Plana sobre cualquier superficie
- Inclinada sobre cualquier superficie (mediante una escuadra de fijación inclinada)
- Oculta detrás de un material fino (por ejemplo, una lámina metálica en la jamba de una puerta o en un cajero automático)

Instalación en superficie plana

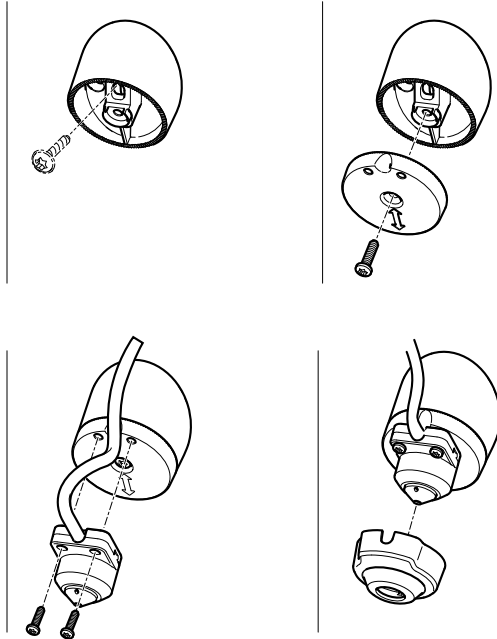
1. Fije la cámara a la pared o el techo mediante los tornillos y tacos apropiados para el material del que estén hechos.
2. Encaje la cubierta a presión.
3. Siga con Conexión de cables, en la página *Conexión de los cables en la página 120*.



Instalación en superficie inclinada

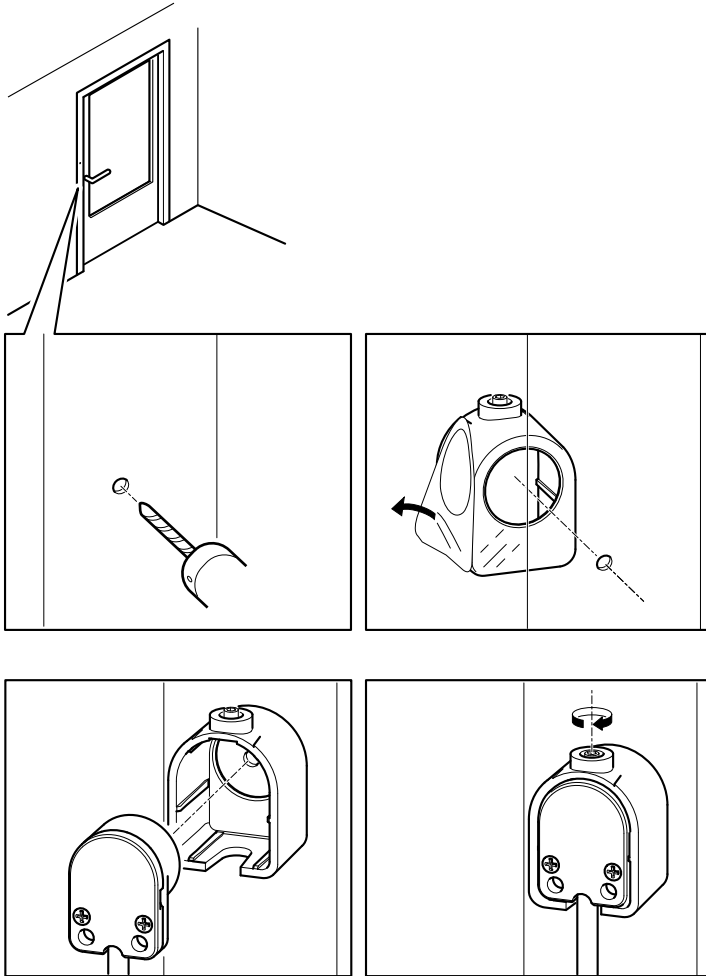
ES

1. Fije la escuadra de montaje inclinado a la pared o el techo mediante los tornillos y tacos apropiados para el material del que estén hechos. Asegúrese de que la escuadra apunte hacia el área que se va a supervisar.
2. Monte la placa con el tornillo y alinéelo de manera que las flechas estén en vertical u horizontal.
3. Fije la cámara a la placa con los dos tornillos.
4. Encaje la cubierta a presión.
5. Siga con Conexión de cables, en la página *Conexión de los cables en la página 120*.



Instalación oculta

1. Perfore un agujero con un diámetro de 3 mm en la pared o el techo. Si el material es más grueso de 1 mm, puede ser necesario ampliar el orificio con un avellanador.
2. Retire la protección del adhesivo y fije la escuadra de montaje recto a la pared.
3. Introduzca la cámara en la escuadra y utilice el tornillo de retención para fijarla. Asegúrese de que el cono de la cámara esté alineado con la pared.
4. Siga con Conexión de cables, en la página *Conexión de los cables en la página 120*.



ES

Cómo instalar las unidades de sensor AXIS P1214/AXIS P1224-E

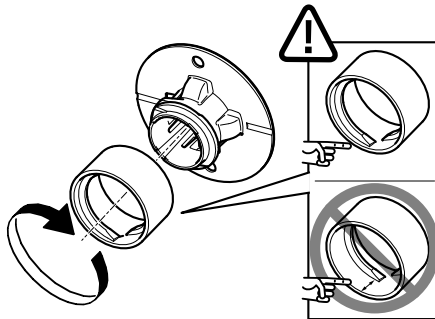
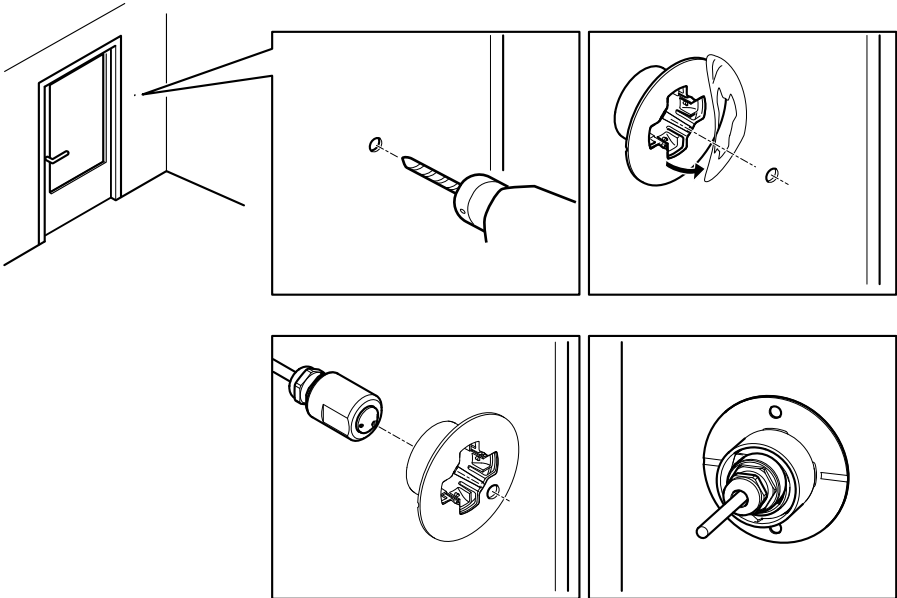
Importante

La carcasa de la unidad de sensor AXIS P1214 no se ha aprobado para su uso en exterior; de manera que este producto solo se puede instalar en interiores.

Las unidades de sensor AXIS P1214/AXIS P1224-E se pueden montar detrás de cualquier pared, con tan solo disponer de una pequeña abertura para el objetivo; o bien, se puede colocar todo el conjunto del objetivo sobresaliendo de la pared.

AXIS P12 Network Camera Series

- Perfore un orificio de 20 mm de diámetro en la pared, ya sea completamente a través del material, o utilizando un avellanador para obtener una abertura más pequeña.
- Retire la protección del adhesivo y fije la escuadra de montaje a la pared. Otra opción es asegurar la escuadra con dos tornillos a través de los orificios.
- Inserte la cámara y apriete el anillo de bloqueo como se muestra en la imagen inferior. Coloque la cámara de manera que la superficie plana de la rosca esté vertical u horizontal.
- Siga con Conexión de cables, en la página *Conexión de los cables en la página 120*.

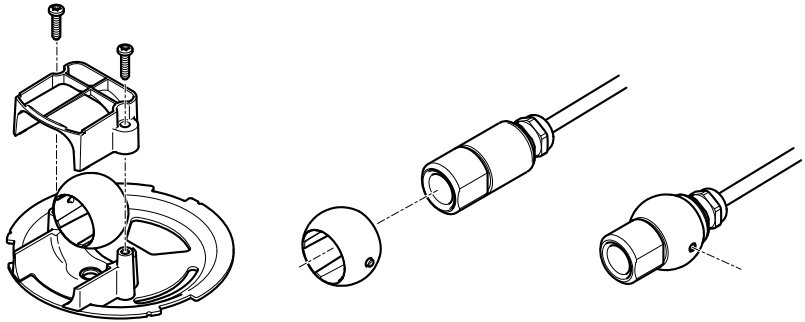


Cómo instalar la unidad de sensor AXIS P1214-E

La AXIS P1214-E se puede montar como la AXIS P1214/AXIS P1224-EE, consulte *página 117*.

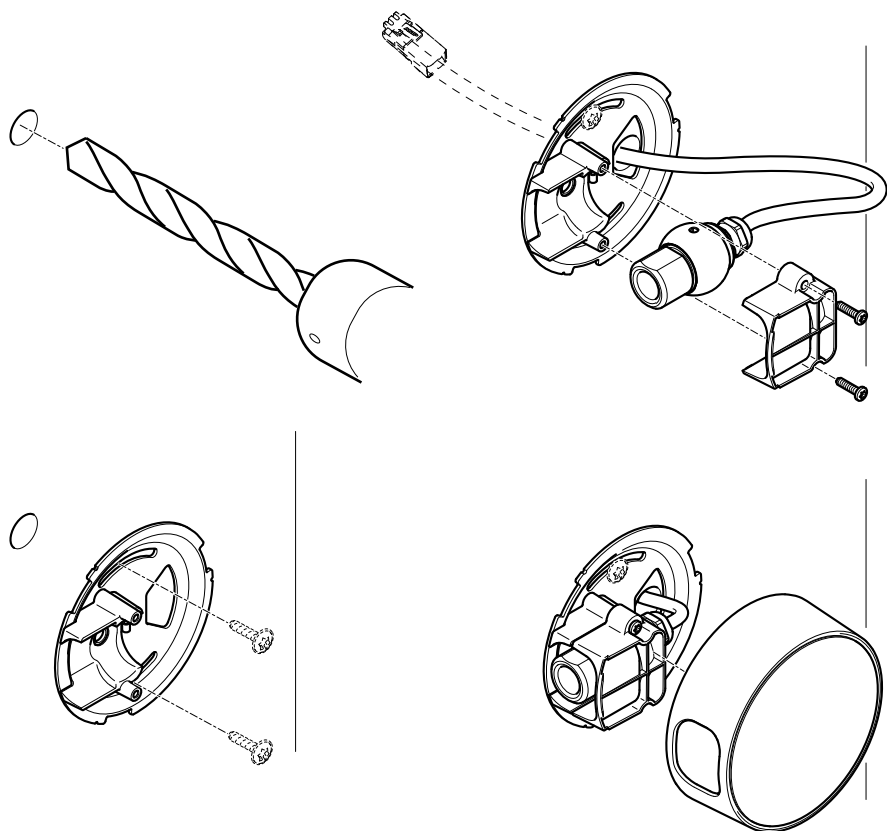
La AXIS P1214-E se puede montar también en la carcasa para exterior proporcionada. Los cables se pueden pasar por la pared directamente hacia la carcasa, o a través de uno de los orificios troquelados de la cubierta.

1. Retire los dos tornillos y la escuadra.
2. Introduzca la cámara en la junta esférica y utilice el tornillo de retención para fijarla.



ES

3. Perfore un agujero a través de la pared o extraiga uno de los orificios troquelados de la cubierta.
4. Fije la placa a la pared mediante los tornillos y tacos apropiados para el material de que esté hecha. Asegúrese de que la escuadra de la cámara apunte hacia el área que se va a supervisar. Si va a pasar el cable a través de la pared, alinee el orificio troquelado de la placa con el orificio de la pared.
5. Coloque la bola en el conector y apriete la escuadra con los tornillos. Apunte la cámara lejos de la pared antes de apretar los tornillos. Coloque la cámara de manera que la superficie plana de la rosca esté vertical u horizontal.
6. Pase el cable a través de la pared o a través del orificio troquelado de la cubierta.
7. Fije la cubierta.
8. Siga con Conexión de cables, en la página *Conexión de los cables en la página 120*.



Conexión de los cables

1. Si lo desea, conecte dispositivos de entrada/salida externos, como dispositivos de alarma. Para obtener información sobre los pines del conector, consulte *Conectores y botones en la página 110*.
2. Conecte la unidad principal a la red mediante un cable de red blindado.
3. Conecte la unidad del sensor a la unidad principal. Si es preciso, el cable se puede acortar, consulte *Cómo acortar el cable de la unidad del sensor en la página 121*.
4. Conecte la alimentación utilizando uno de los métodos enumerados a continuación:
 - PoE (alimentación a través de Ethernet, Clase 2). Si se encuentra disponible, el sistema la detecta automáticamente cuando se conecta el cable de red.
 - Conecte la alimentación a través del conector. Para obtener información sobre los pines del conector, consulte *Conectores y botones en la página 110*.

5. Compruebe que los indicadores LED indican las condiciones correctas. Consulte para conocer más detalles. Tenga en cuenta que algunos LED se pueden desactivar y apagar.

Cómo acortar el cable de la unidad del sensor

La unidad del sensor incluye un cable. Tenga en cuenta que este cable no se puede ampliar. Para acortarlo, siga estos pasos:

1. Corte el cable hasta la longitud deseada. Mida desde la unidad del sensor.
2. Pele la cubierta de plástico externa del extremo del cable.
3. Despegue el blindaje.
4. Aplane los cables de colores en el orden que se describe a continuación.

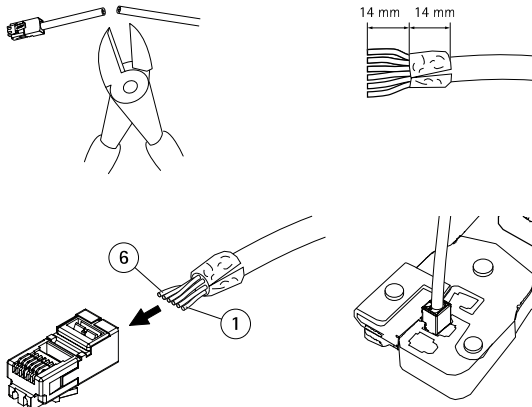
1	Marrón
2	Blanco/marrón
3	No se utiliza
4	No se utiliza
5	Blanco/azul
6	Azul

ES

AVISO

Asegúrese de que los cables permanezcan en el orden adecuado y de que el blindaje del cable haga un contacto adecuado con el blindaje del conector.

5. Introduzca los cables por completo en un conector RJ12 6P6C blindado.
6. Utilice un engarzador para fijar el conector al cable.



Acceso al producto

Se recomiendan AXIS IP Utility y AXIS Camera Management como métodos para buscar los productos de Axis en la red y asignarles direcciones IP en Windows®. Ambas aplicaciones son gratuitas y pueden descargarse de www.axis.com/techsup

El producto se puede utilizar con la mayoría de los sistemas operativos y navegadores. Los navegadores recomendados son:

- Internet Explorer® con Windows®
- Safari® con OS X®
- Chrome™ o Firefox® con otros sistemas operativos.

Para obtener más información sobre el uso del producto, consulte el manual del usuario, disponible en www.axis.com.

Restablecimiento a la configuración predeterminada de fábrica

Importante

Hay que tener cuidado al restablecer la configuración predeterminada de fábrica. Todos los valores, incluida la dirección IP, se restablecerán a la configuración predeterminada de fábrica.

Nota

Las herramientas del software de instalación y gestión están disponibles en las páginas de asistencia técnica en www.axis.com/techsup.

Para restablecer el producto a la configuración predeterminada de fábrica:

También es posible restablecer los parámetros a los valores predeterminados de fábrica mediante la interfaz web. Vaya a **Setup > System Options > Maintenance (Configuración > Opciones del sistema > Mantenimiento)** y haga clic en **Default (Predeterminado)**.

Más información

Para consultar la versión más reciente de este documento, vaya a www.axis.com

El Manual de usuario se encuentra disponible en www.axis.com.

Visite www.axis.com/techsup para comprobar si existe un firmware actualizado disponible para su producto de red. Para ver la versión del firmware instalado actualmente, vaya a **Setup > About (Configuración > Acerca de)**.

Visite el centro de aprendizaje de www.axis.com/academy para consultar guías, tutoriales, seminarios web y cursos que pueden resultarle útiles.

Información de garantía

Para obtener más detalles sobre la garantía del producto Axis y la información relacionada con ella, consulte www.axis.com/warranty/

安全情報

本製品を設置する前に、このインストールガイドをよくお読みください。インストールガイドは、後で参照できるように保管しておいてください。

危険レベル

▲危険

回避しない場合、死亡または重傷につながる危険な状態を示します。

▲警告

回避しない場合、死亡または重傷につながるおそれのある危険な状態を示します。

▲注意

回避しない場合、軽傷または中程度の怪我につながるおそれのある危険な状態を示します。

注記

回避しない場合、器物の破損につながるおそれのある状態を示します。

JA

その他のメッセージレベル

重要

製品を正しく機能させるために不可欠な重要情報を示します。

注意

製品を最大限に活用するために役立つ有用な情報を示します。

安全情報

本製品を設置する前に、このインストールガイドをよくお読みください。インストールガイドは、後で参照できるように保管しておいてください。

危険レベル

▲危険

回避しない場合、死亡または重傷につながる危険な状態を示します。

▲警告

回避しない場合、死亡または重傷につながるおそれのある危険な状態を示します。

▲注意

回避しない場合、軽傷または中程度の怪我につながるおそれのある危険な状態を示します。

注記

回避しない場合、器物の破損につながるおそれのある状態を示します。

その他のメッセージレベル

重要

製品を正しく機能させるために不可欠な重要情報を示します。

注意

製品を最大限に活用するために役立つ有用な情報を示します。

安全手順

注記

- 本製品は、お使いになる地域の法律や規制に準拠して使用してください。
- 本製品を屋外またはそれに準じる環境で使用する場合は、認定済みの屋外用筐体に収納して設置する必要があります。
- 本製品は乾燥した換気のよい環境に保管してください。
- 本製品に衝撃または強い圧力を加えないでください。
- 本製品を不安定なブラケット、表面、または壁に設置しないでください。
- 本製品を設置する際には、適切な工具のみを使用してください。電動工具を使用して過剰な力をかけると、製品が損傷することがあります。
- 化学薬品、腐食剤、噴霧式クリーナーは使用しないでください。
- 清掃には、きれいな水に浸した清潔な布を使用してください。
- 製品の技術仕様に準拠したアクセサリのみを使用してください。これらのアクセサリは、Axisまたはサードパーティから入手できます。
- Axisが提供または推奨する交換部品のみを使用してください。
- 製品を自分で修理しないでください。修理については、Axisサポートまたは販売代理店にお問い合わせください。

輸送

注記

- 本製品を運搬する際は、製品が損傷しないよう、元の梱包か同等の梱包を使用してください。

バッテリー

本製品は、内部リアルタイムクロック (RTC) 用電源として、3.0V BR/CR1220リチウムバッテリーを使用します。このバッテリーは、通常条件下で最低5年間使用できます。

バッテリーが低電力状態になると、内部リアルタイムクロック (RTC) の動作に影響し、電源を入れるたびにRTCがリセットされます。バッテリーの交換が必要になると、製品のサーバーレポートにログメッセージが表示されます。サーバーレポートの詳細については、製品の設定ページを参照するか、Axisサポートまでお問い合わせください。

必要な場合以外はバッテリーを交換しないでください。バッテリーの交換が必要な場合は、Axisサポート (www.axis.com/techsup) までご連絡ください。

リチウムコイン型3.0V電池は、1,2-ジメトキシエタン(エチレングリコールジメチルエーテル (EGDME)、CAS番号110-71-4)を含有しています。

▲警告

- バッテリーは、正しく交換しないと爆発する危険があります。
- 交換用バッテリーとしては、同一品またはAxisが推奨するバッテリーのみを使用してください。
- 使用済みバッテリーは、地域の規制またはバッテリーメーカーの指示に従って廃棄してください。

インストールガイド

このインストールガイドでは、AXIS P12ネットワークカメラをお使いのネットワークにインストールする手順について説明します。製品の使用の詳細については、www.axis.comで入手できるユーザーズマニュアルを参照してください

設置手順

1. パッケージの内容、ツールなど、設置に必要な物がそろっているかを確認します。131ページを参照してください。
2. ハードウェアの概要を確認します。132ページを参照してください。
3. 仕様を確認します。138ページを参照してください。
4. ハードウェアを設置します。139ページを参照してください。
5. 製品にアクセスします。148ページを参照してください。

パッケージの内容

- ネットワークカメラ
 - メインユニット
 - センサーユニット AXIS P1204/AXIS P1214/AXIS P1214-E/AXIS P1224-E
- コネクタ
 - 2ピン電源ターミナルブロック
 - 4ピンI/Oコネクタブロック
- 取付アクセサリ
 - すべてのモデル: 取付レール
 - AXIS P1204: ストレート取付ブラケット、斜め取付ブラケット、カバー
 - AXIS P1214/AXIS P1224-E: 取付ブラケット
 - AXIS P1214-E: 取付ブラケット、屋外用ハウジング
- 印刷物
 - AXIS P12シリーズインストールガイド(本書)
 - AVHS認証キー

JA

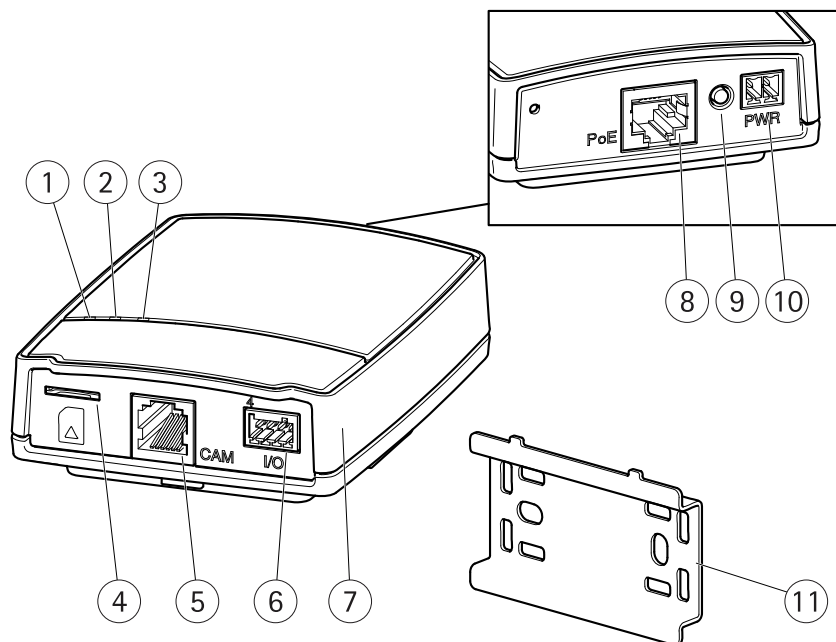
推奨ツール

- ドリル – 天井吊り下げ取り付けキットを使用する場合
- ナイフ – 天井埋め込み取り付けキットを使用する場合

AXIS P12 Network Camera Series

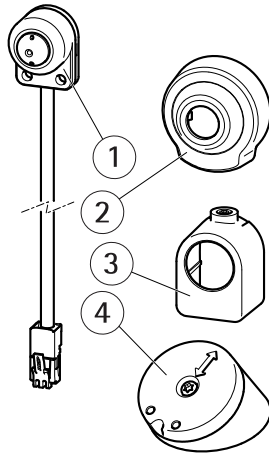
- トルクスT30ドライバー – AXIS T91A取付金具に対応したブラケットを使用する場合

ハードウェアの概要



- 1 電源インジケータ-LED
- 2 ステータスインジケータ-LED
- 3 ネットワークインジケータ-LED
- 4 microSDカードスロット
- 5 カメラコネクタ-
- 6 I/Oコネクタ-
- 7 メインユニット
- 8 ネットワークコネクタ- (PoE)
- 9 コントロールボタン
- 10 電源コネクタ-
- 11 取付レール

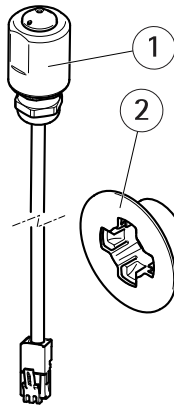
AXIS P1204 センサーユニットと付属アクセサリ



- 1 *AXIS P1204*センサーユニット
- 2 カバー
- 3 ストレート取付ブラケット
- 4 斜め取付ブラケット

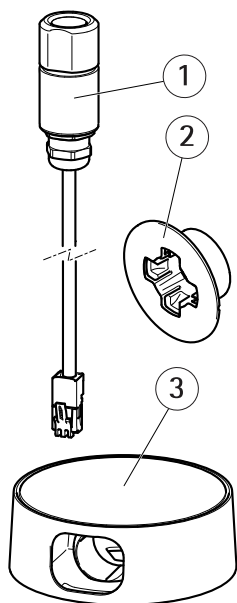
JA

AXIS P1214 センサーユニットと付属アクセサリ



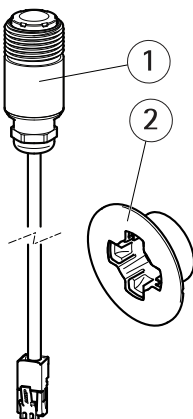
- 1 *AXIS P1214*センサーユニット
- 2 取付ブラケット

AXIS P1214-Eセンサーユニットと付属アクセサリ



- 1 *AXIS P1214-E*センサーユニット
- 2 取付ブラケット
- 3 屋外用ハウジング

AXIS P1224-Eセンサーユニットと付属アクセサリ



- 1 AXIS P1224-Eセンサーユニット
- 2 取付ブラケット

JA

LEDインジケータ

LED	カラー	説明
ネットワーク	緑	100 Mbit/sネットワークに接続している場合、点灯します。ネットワークパケットを送受信した場合、点滅します。
	黄	10 Mbit/sネットワークに接続している場合、点灯します。ネットワークパケットを送受信した場合、点滅します。
	無点灯	ネットワーク接続なし。
状態	緑	正常動作であれば緑色に点灯します。
	黄	起動時、設定の復元時に点灯します。
	赤	アップグレードに失敗した場合に、ゆっくりと点滅します。
	無点灯	センサーユニットとメインユニット間の接続なし。
電源	緑	正常動作。
	黄	ファームウェアアップグレード中は緑と黄の交互点滅。

注意

- ステータスLEDは、正常動作時に消灯させることができます。設定は、[Setup - System Options - Ports & Devices - LED] (設定 - システムオプション - ポートとデバイス - LED) で行います。詳細については、オンラインヘルプを参照してください。
- ステータスLEDは、イベントの発生時に点滅させることができます。
- ステータスLEDを点滅させ、本製品を識別できるように設定することができます。設定は、[Setup - System Options - Maintenance] (設定 - システムオプション - 保守) で行います。

コネクタとボタン

仕様と動作条件については、138ページを参照してください。

ネットワークコネクタ

RJ45イーサネットコネクタ、Power over Ethernet (PoE) 対応。

注記

本製品は、シールドネットワークケーブル (STP) を使用して接続してください。本製品は、用途に合ったケーブルを使用してネットワークに接続してください。ネットワーク装置がメーカーの指示どおりに設置されていることを確認します。法的要件については、*Electromagnetic Compatibility (EMC) on page 4*を参照してください。

I/Oコネクタ

外部装置を接続し、カメラに対するいたずらの警報、動体検知、イベントトリガー、低速度撮影、アラーム通知などを使用することができます。I/Oコネクタは、0V DC基準点と電力 (DC出力) に加えて、以下のインターフェースを提供します。

- デジタル出力** — リレーやLEDなどの外部デバイスを接続します。接続されたデバイスは、VAPIX®アプリケーションプログラミングインターフェース (API)、[Live View] (ライブビュー) ページの出力ボタン、アクションルールを使用してアクティブにすることができます。アラームデバイスがアクティブな場合、出力がアクティブと表示されます (**System Options > Port & Devices** (システムオプション > ポートとデバイス) で表示)。
- デジタル入力** — オープンサーキットとクローズサーキットの切り替えが可能なデバイスを接続するためのアラーム入力。たとえば、PIR、ドア/窓の接触、ガラス破壊検知などです。信号を受け取ると状態が変化し、入力 that アクティブになります (**System Options > Ports & Devices** (システムオプション > ポートとデバイス) で表示)。

電源コネクタ

電源入力用2ピンターミナルブロック。定格出力が100 W以下または5 A以下の安全特別低電圧 (SELV) に準拠した有限電源 (LPS) を使用してください。

RJ12コネクタ

RJ12コネクタは、センサーユニットとメインユニットの接続に使用します。

センサーユニットのケーブルを短くする方法については、147ページの、センサーユニットのケーブルを短くするを参照してください。

コントロールボタン

コントロールボタンの位置については、132ページの、ハードウェアの概要を参照してください。

コントロールボタンは、以下の用途で使用します。

- 製品を工場出荷時の設定にリセットする。148ページを参照してください。
- AXIS Video Hosting SystemサービスまたはAXIS Internet Dynamic DNSサービスに接続する。これらのサービスの詳細については、ユーザーズマニュアルを参照してください。

JA

SDカードスロット

注記

- SDカード損傷の危険があります。SDカードの挿入と取り外しの際には、鋭利な工具を使用したり、過剰な力をかけないでください。
- データ損失の危険があります。データが破損しないように、SDカードはマウント解除してから取り外す必要があります。SDカードをアンマウントするには、[Setup] (設定) > [System Options] (システムオプション) > [Storage] (ストレージ) > [SD Card] (SDカード) を選択し、[Unmount] (アンマウント) をクリックします。

本製品は、microSD/microSDHC/microSDXCカードに対応しています (別売)。

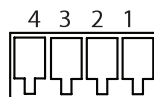
推奨するSDカードについては、www.axis.comを参照してください

仕様

コネクタ

I/Oコネクタ

4ピンターミナルブロック

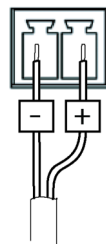


接続例の図については、139ページの、[接続図](#)を参照してください。

機能	ピン	備考	仕様
0 V DC (-)	1		0 V DC
DC出力	2	補助装置の電源供給に使用できます。 注: このピンは、電源出力としてのみ使用できます。	3.3 V DC 最大負荷 = 50 mA
デジタル入力	3	動作させるにはピン1に接続し、動作させない場合はフロート状態 (未接続) のままにします。	0~40 V DC (最大)
デジタル出力	4	動作させるにはピン1に接続し、動作させない場合はフロート状態 (未接続) にします。誘導負荷 (例: リレー) とともに使用する場合は、過渡電圧から保護するため、ダイオードを負荷と並列に接続する必要があります。	0~40 V DC (最大)、 オープンドレイン、 100 mA

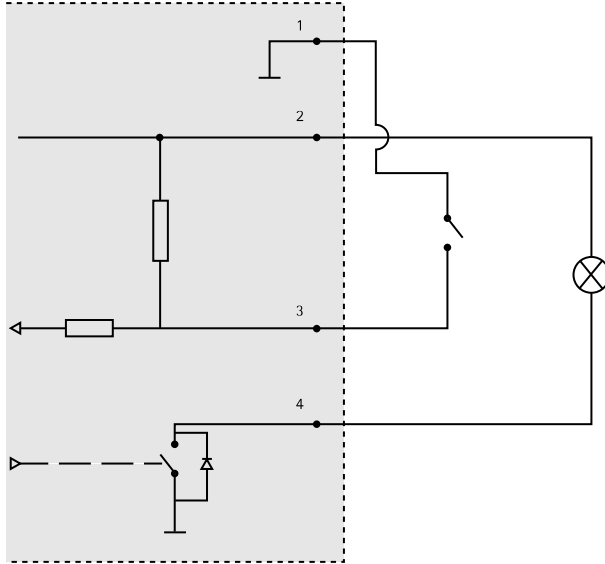
電源コネクタ

DC電源入力用2ピンターミナルブロック。定格出力が100 W以下または5 A以下の安全特別低電圧 (SELV) に準拠した有限電源 (LPS) を使用してください。



接続図

I/Oコネクタ



- 1 0 VDC (-)
- 2 DC出力3.3 V、最大50 mA
- 3 デジタル出力0~最大40 VDC
- 4 デジタル出力0~40 VDC(最大)、オープンドレイン、100 mA

ハードウェアの設置

重要

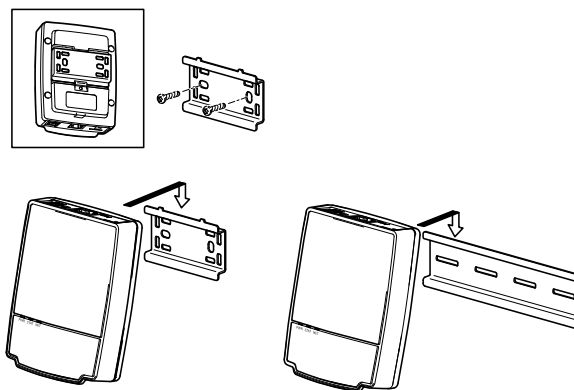
メインユニットのケーシングは屋外使用に対応していません。本製品は屋内にのみ設置できます。

本製品のラベルにあるシリアル番号 (S/N) をメモしておきます。インストール時にはシリアル番号が必要になる場合があります。

メインユニットはDINレールに取り付けるか、または付属の取付レールを使用して取り付けます。

1. 付属の取付レールを使用する場合、ネジを使用して壁または天井に固定します。その際、壁、天井の材質に適したネジやプラグを使用してください。

- さい。レールの2つのツメの向きに注意し、ツメをメインユニットの上部に対応するようにします。
2. メインユニットの上方端をDINレールまたは取付レールに取り付けたら、下方端を取り付けます。
 3. センサーユニットに応じた手順を後のページに記載します。



AXIS P1204 センサーユニットの設置方法

重要

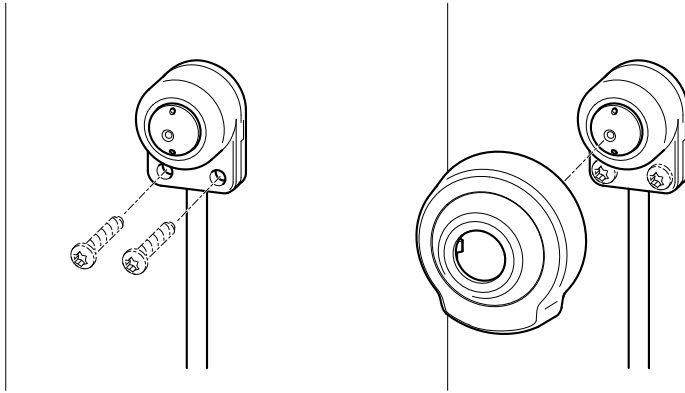
AXIS P1204 センサーユニットのケーシングは屋外使用に対応していません。本製品は屋内にのみ設置できます。

AXIS P1204の取り付け方法には、以下の3つがあります。

- 取り付け面に対しフラットに設置
- 取り付け面に対し斜めに設置 (斜め方向に固定するブラケットを使用)
- 薄い材質 (戸口の側柱やATMマシンの金属シートなど) の背後に隠して設置

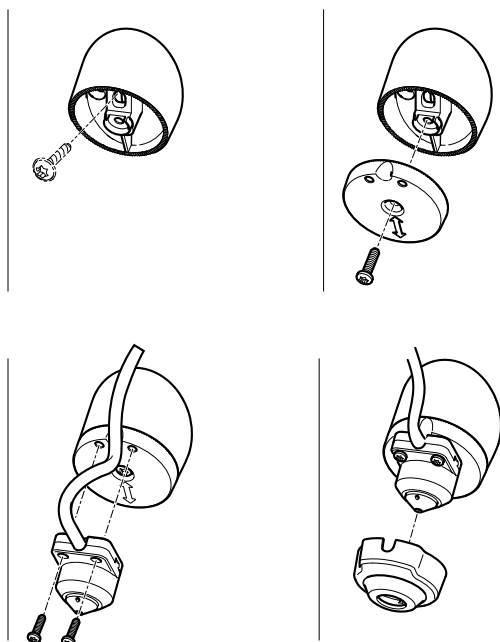
フラットな設置

1. カメラを壁または天井に固定します。その際、壁、天井の材質に適したネジやプラグを使用します。
2. カバーを取り付けます。
3. ケーブルを接続します (146ページの、ケーブルの接続を参照)。



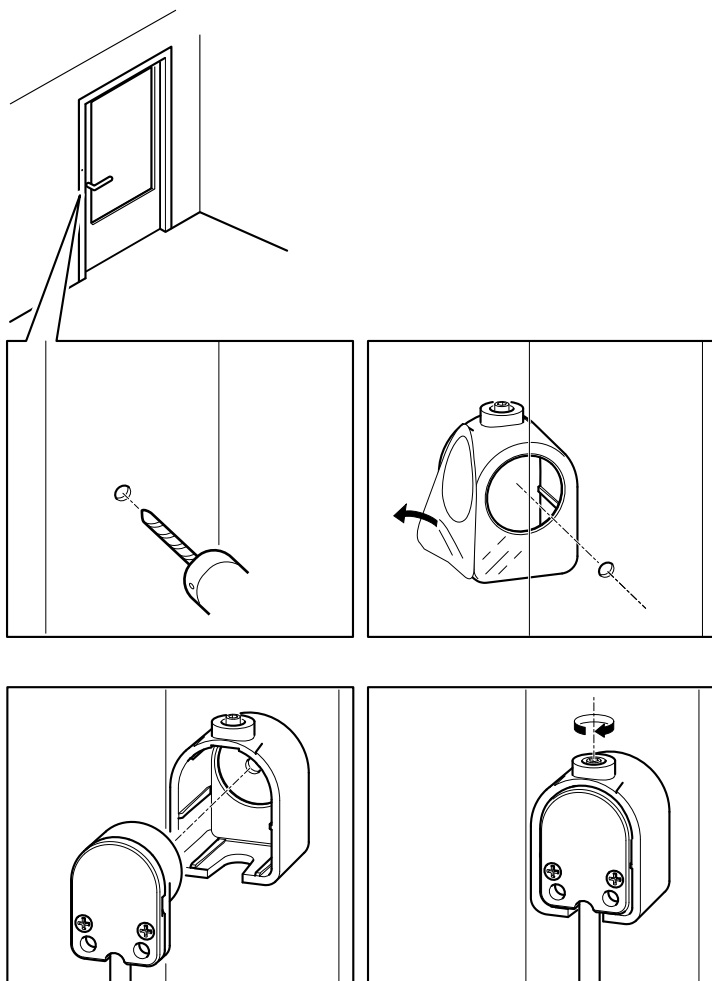
斜め方向の設置

1. 斜め取付ブラケットを壁または天井に固定します。その際、壁、天井の材質に適したネジやプラグを使用してください。ブラケットが監視するエリアの方向を向いていることを確認します。
2. ネジを使用してプレートを組み立て、矢印が垂直または水平になるようにします。
3. 2個のネジでカメラをプレートに固定します。
4. カバーを取り付けます。
5. ケーブルを接続します (146ページの、ケーブルの接続を参照)。



目立たない設置

1. 壁または天井に直径3mmの穴を開けます。1mmを超える材質については、カウンタシンクカッターで穴を拡張しなければならない場合があります。
2. 接着保護シートをはがしたら、ストレート取付ブラケットを壁に取り付けます。
3. カメラをブラケットに差し込み、ストップスクリューで固定します。カメラの鏡胴部が壁と平坦に揃うようにしてください。
4. ケーブルを接続します (146ページの、ケーブルの接続を参照)。



JA

AXIS P1214/AXIS P1224-Eセンサーユニットの設置方法

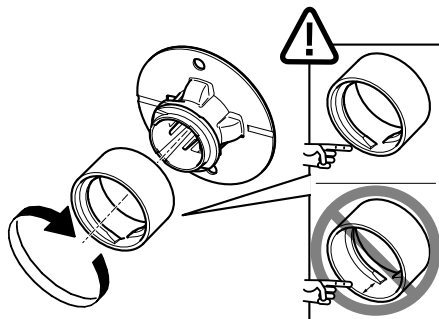
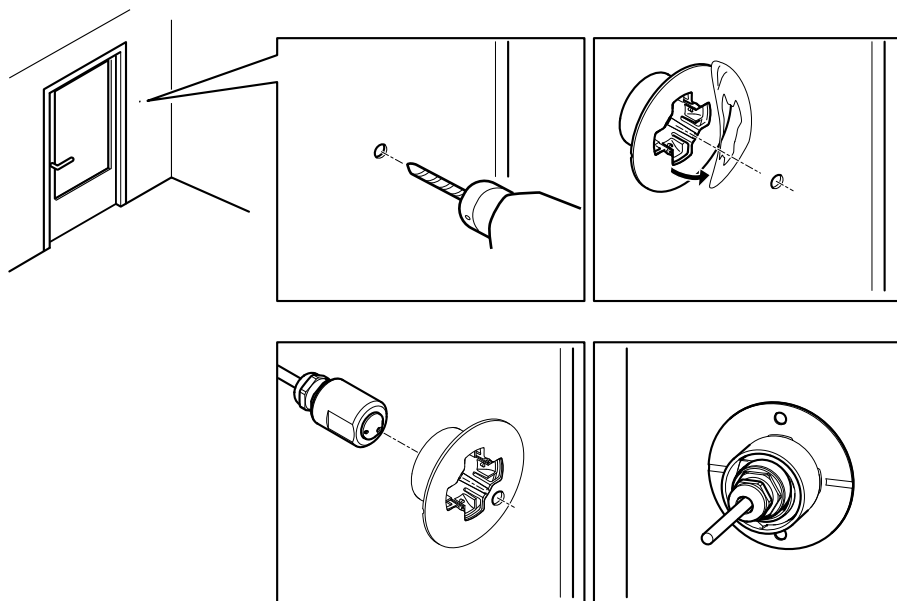
重要

AXIS P1214センサーユニットのケーシングは屋外使用に対応していません。本製品は屋内にのみ設置できます。

AXIS P1214/AXIS P1224-Eは、レンズ用の小穴を用意するか、レンズ部全体を壁の中に通し入れるようにして、壁の後ろに設置できます。

AXIS P12 Network Camera Series

- 壁に直径20mmの穴を開け、材質を貫通する形にするか、またはカウンタシンクカッターを使用してより小さい穴を開けます。
- 接着保護シートをはがしたら、ストレート取付ブラケットを壁に取り付けます。また、2個のネジを穴を通してブラケットを固定する方法もあります。
- カメラを差し込み、ロックリングを締めます (次の図を参照)。スレッドの平面が垂直または水平になるようカメラを設置します。
- ケーブルを接続します (146ページの、ケーブルの接続を参照)。

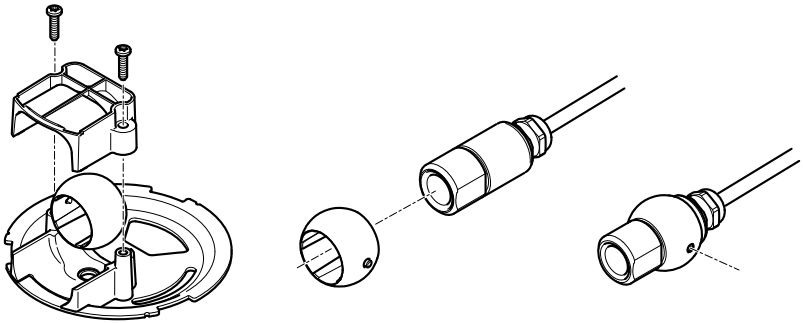


AXIS P1214-Eセンサーユニットの設置方法

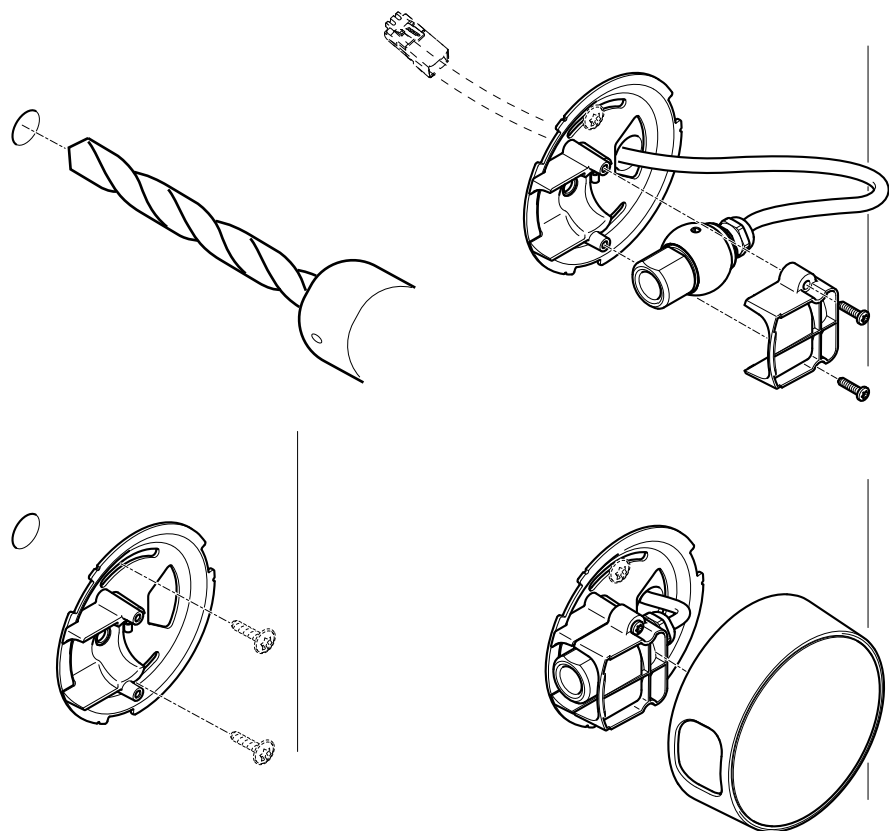
AXIS P1214-Eは、AXIS P1214/AXIS P1224-Eと同じようにして取り付けすることができます。143ページを参照してください。

AXIS P1214-Eは、付属の屋外用ハウジングに取り付けることも可能です。ケーブルは、壁を貫通してハウジングに直接配線するか、またはカバーのパンチアウトの1つを通して配線します。

1. 2個のネジとブラケットを取り外します。
2. カメラを玉継手に差し込み、ストップスクリューで固定します。



3. 壁を貫通する穴を開けるか、またはカバーのパンチアウトの1つを取り外します。
4. 壁の材質に適したネジやプラグを使用して、プレートに壁に固定します。カメラのブラケットが監視するエリアの方向を向いていることを確認してください。壁を貫通してケーブルを配線する場合、プレートの切抜き部と壁の穴をあわせませす。
5. カメラを取り付けた玉継手をソケットに差し込み、ネジでブラケットを固定します。カメラの方向が壁を向かないようにしてから、ネジを締めます。スレッドの平面が垂直または水平になるようカメラを設置します。
6. 壁を通して配線するか、またはカバーのパンチアウトを通して配線します。
7. カバーを取り付けます。
8. ケーブルを接続します (146ページの、ケーブルの接続を参照)。



ケーブルの接続

1. 必要に応じて、アラームデバイスなどの外部入力/出力装置を接続します。コネクターのピンの詳細については、136ページの、コネクターとボタンを参照してください。
2. シールドネットワークケーブルを使用して、メインユニットをネットワークに接続します。
3. センサーユニットをメインユニットに接続します。必要に応じて、ケーブルを短くします(147ページの、センサーユニットのケーブルを短くするを参照)。
4. 以下のどちらかの方法で、電源を接続します。
 - PoE (Power over Ethernet、Class 2)。利用可能な場合、ネットワークケーブルを接続すると自動的に検知されます。

- コネクタを介した電源接続。コネクタのピンの詳細については、136ページの、コネクタとボタンを参照してください。
5. LEDインジケータが正常な状態を示すことを確認します。詳細については、を参照してください。LEDには、無効なものや点灯しないものが存在する可能性があります。

センサーユニットのケーブルを短くする

センサーユニットには、ケーブルが接続されています。このケーブルは延長できません。このケーブルを短くする場合は、以下の手順に従ってください。

1. センサーユニットからケーブルの長さを測定し、希望の長さで切断します。
2. ケーブルの端から、プラスチックの外部被覆を剥ぎ取ります。
3. シールドを剥きます。
4. 色分けされたワイヤを以下の順序で平らに並べます。

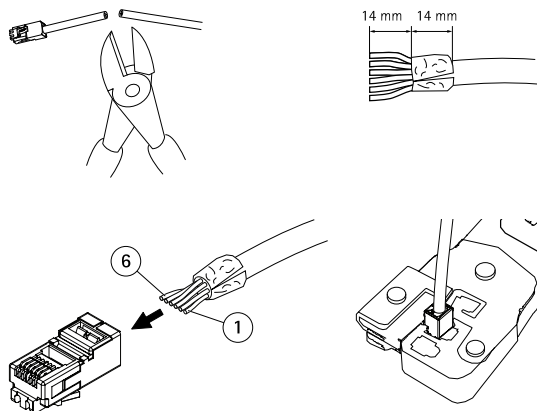
1	茶
2	白/茶
3	使用しません
4	使用しません
5	白/青
6	青

JA

注記

ワイヤーが正しい順序に並び、ケーブルシールドがコネクタースシールドときちんと接触していることを確認します。

5. ワイヤーをシールド付き6P6C RJ12コネクタに差し込みます。
6. 圧着工具を使用して、コネクタをケーブルに固定します。



製品へのアクセス

ネットワーク上でAxis製品を検索したり、Windows®でそれにIPアドレスを割り当てるには、AXIS IP UtilityまたはAXIS Camera Managementの使用をお勧めします。いずれのアプリケーションも無料で、www.axis.com/techsupからダウンロードできます

本製品は、ほとんどのオペレーティングシステムとブラウザでご利用いただけます。推奨ブラウザは以下のとおりです。

- Internet Explorer® (Windows®の場合)
- Safari® (OS X®の場合)
- Chrome™またはFirefox® (その他のオペレーティングシステムの場合)

製品の使用の詳細については、Axisのホームページ (www.axis.com) でユーザーズマニュアルを参照してください

工場出荷時の設定にリセットする

重要

工場出荷時の設定へのリセットは慎重に行ってください。工場出荷時の設定へのリセットを行うと、IPアドレスを含むすべての設定が工場出荷時の値にリセットされます。

注意

www.axis.com/techsupのサポートページに、インストール・管理ソフトウェアツールが用意されています。

本製品を工場出荷時の設定にリセットするには、以下の手順を実行します。

Webインターフェースを使用して、各種パラメーターを工場出荷時の設定に戻すこともできます。[Setup - System Options - Maintenance] (設定 - システムオプション - 保守) を選択し、[Default] (デフォルト) をクリックします。

関連情報

本書の最新バージョンについては、www.axis.comにアクセスしてください。

ユーザーズマニュアルは、www.axis.comで入手できます。

www.axis.com/techsuplにアクセスして、ご使用のネットワーク製品の新しいファームウェアがリリースされていないかを確認してください。現在インストールされているファームウェアのバージョンを確認するには、[Setup - About] (設定 - バージョン情報) を参照してください。

Axisラーニングセンター (www.axis.com/academy) にアクセスしてください。役に立つトレーニング、ウェブセミナー、チュートリアル、ガイドをご用意しています。

保証情報

Axisの製品保証と関連情報については、www.axis.com/warranty/をご覧ください

安全信息

安装该产品前请仔细通读该安装指南。请保管好安装指南以供以后查阅。

危险等级

▲危险

表示有危险的情形，如果不能避免，将导致死亡或严重的个人伤害。

▲警告

表示有危险的情形，如果不能避免，将导致死亡或严重的个人伤害。

▲小心

表示有危险的情形，如果不能避免，将导致轻微或中度的个人伤害。

注意

表示一种情形，如果不能避免，将导致对财产的损坏。

其它消息等级

重要

表示对于产品正常运行必不可少的重要信息。

备注

表示有助于充分利用产品的有用信息。

安全说明

注意

- 使用该安讯士产品必须符合当地法律法规要求。
- 如要在室外或相似环境中使用该安讯士产品，必须将其安装在符合标准的室外防护罩中。
- 安讯士产品应存放在干燥通风的环境中。
- 应避免对安讯士产品造成冲撞或重压。
- 不得将本产品安装于不稳固的支架、表面或墙面上。
- 安装安讯士产品时，请使用适用工具。使用电动工具时过度用力可能对产品造成损坏。
- 请勿使用化学制剂、腐蚀性制剂或气雾性清洁剂。
- 使用浸有净水的干净抹布进行清洁。
- 所用附件必须符合该产品的技术规格要求。可由安讯士或第三方供应商提供。
- 必须使用安讯士提供或推荐的零件。
- 请勿试图自己修理该产品。维修事务请联系安讯士支持人员或您的安讯士经销商。

运输

注意

- 安讯士产品运输途中，应使用其原包装或等效包装，以防对产品造成损坏。

电池

该安讯士产品使用一块 3.0 V BR/CR1220 锂电池为内部实时时钟（RTC）供电。正常情况下，该电池可至少使用 5 年。

电池电量不足将影响 RTC 运行，导致其在每次开机时重置。当电池需要更换时，产品的服务器报告中会显示日志消息。关于服务器报告的更多信息，请参考产品的设置页面或联系安讯士支持人员。

如非需要请勿更换电池！电池必须更换时，请联系安讯士支持人员寻求帮助，网址 www.axis.com/techsup。

3.0 V 锂纽扣电池包含 1,2-二甲氧基乙烷；乙二醇二甲醚 (EGDME)，CAS 号为 110-71-4。

警告

- 电池更换不当将引发爆炸危险。
- 请务必使用相同或安讯士推荐的电池进行更换。

- 请按照当地法规或电池制造商的说明来处理废旧电池。

安装指南

本安装指南提供了在网上安装 AXIS P12 网络摄像机的说明。有关使用该产品的其他信息，请参见用户手册，网址：www.axis.com

安装步骤

1. 确保安装必需的包装内容、工具和其它材料井然有序。参见 [第155页](#)。
2. 研究硬件概述。参见 [第156页](#)。
3. 研究规格。参见 [第161页](#)。
4. 安装硬件。参见 [第163页](#)。
5. 访问产品。参见 [第171页](#)。

包装内容

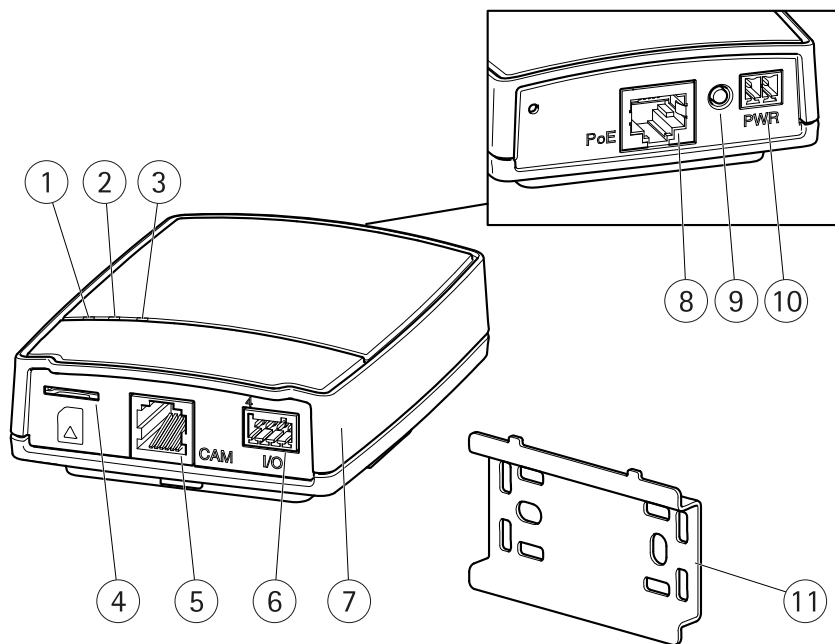
- 网络摄像机
 - 主单元
 - 传感器单元 AXIS P1204/AXIS P1214/AXIS P1214-E/AXIS P1224-E
- 接口
 - 2 针电源接线端子
 - 4 针 I/O 连接器
- 安装附件
 - 所有种类：安装轨
 - AXIS P1204：水平安装支架、倾斜安装支架、盖子
 - AXIS P1214/AXIS P1224-E：安装支架
 - AXIS P1214-E：安装支架、室外防护罩
- 印刷资料
 - AXIS P12 系列安装指南（本文档）
 - AVHS 身份认证密钥

ZH

推荐的工具

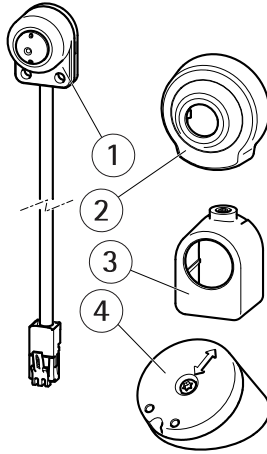
- 钻子 – 如果使用硬天花板安装
- 刀 – 如果使用吊顶安装
- Torx 螺丝刀 T30 – 如果使用 AXIS T91A 安装附件中的兼容支架

硬件概览



- 1 LED 电源指示灯
- 2 LED 状态指示灯
- 3 LED 网络指示灯
- 4 microSD 卡插槽
- 5 摄像机接口
- 6 I/O 接口
- 7 主单元
- 8 网络接口 (PoE)
- 9 控制按钮
- 10 电源接口
- 11 安装轨

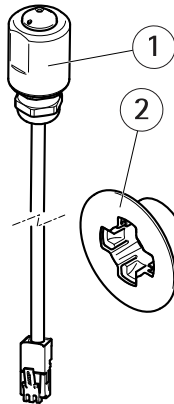
AXIS P1204 传感器单元和随附附件



- 1 *AXIS P1204 传感器单元*
- 2 *盖子*
- 3 *水平安装支架*
- 4 *倾斜安装支架*

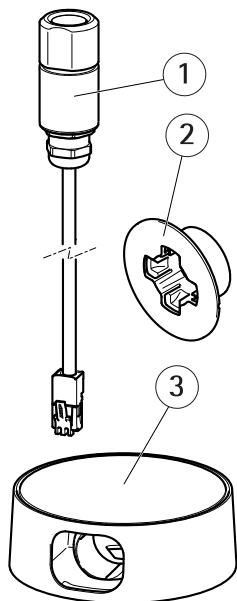
ZH

AXIS P1214 传感器单元和随附附件



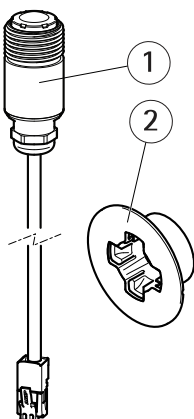
- 1 *AXIS P1214 传感器单元*
- 2 *安装支架*

AXIS P1214-E 传感器单元和包含的附件



- 1 *AXIS P1214-E* 传感器单元
- 2 安装支架
- 3 室外防护罩

AXIS P1224-E 传感器单元和随附附件



- 1 *AXIS P1224-E* 传感器单元
- 2 安装支架

LED 指示灯

ZH

LED	色彩	指示
网络	绿色	常亮表示连接到 100 Mbit/s 网络。闪烁表示网络活动。
	淡黄色	常亮表示连接到 10 Mbit/s 网络。闪烁表示网络活动。
	不亮	无网络连接。
状态	绿色	绿灯常亮表示工作正常。
	淡黄色	在启动及还原设置过程中保持常亮。
	红色	缓慢闪烁表示升级失败。
	不亮	传感器单元与主单元之间没有连接。
电源	绿色	工作正常。
	淡黄色	固件升级过程中呈绿色/淡黄色闪烁。

备注

- LED 状态指示灯可被配置为在工作正常时不亮。进行配置请访问 **设置 > 系统选项 > 端口和设备 > LED**。如欲了解更多信息，请参见在线帮助。
- LED 状态指示灯可被配置为在事件激活状态下闪烁。

- LED 状态指示灯可被配置为识别装置时闪烁。访问 **设置 > 系统选项 > 维护**。

接口和按钮

规范和工作条件方面的信息请参见 *第161页*。

网络连接器

采用以太网供电 (PoE) 的 RJ45 以太网连接器。

注意

该产品应使用屏蔽网络电缆 (STP) 进行连接。将产品连接到网络的电缆应专用于其特定用途。确保根据制造商的说明安装网络设备。有关法规要求的信息，请参见 *Electromagnetic Compatibility (EMC) on page 4*。

I/O 接口

与外部设备联合使用，例如：用于面向防篡改告警、移动探测、事件触发、延时录像及报警通知的应用。除了 0 V 直流参考点和电源（直流输出），I/O 接口还提供以下接口：

- **数字输出**—用于连接外部设备，如继电器和 LED 灯。已连接设备可通过 VAPIX® 应用编程接口 (API)、Live View (实时视图) 页面上的输出按钮或 Action Rule (操作规则) 激活。当警报设备被激活后，该输出接口将显示为激活（显示在 **系统选项 > 端口和设备** 下）。
- **数字输入**—面向连接设备的报警输入，可在开放和闭合线路间切换，例如：PIR、门/窗触点以及玻璃破碎探测器等。当接收到信号时，状态发生变化，而且输入接口变成激活状态（显示在 **系统选项 > 端口和设备** 下）。

电源接口

2 针接线端子用于电源输入。使用符合安全超低压 (SELV) 规定，且额定输出功率 ≤100 W 或额定输出电流 ≤5 A 的有限电源 (LPS)。

RJ12 接口

RJ12 接口用于将传感器单元连接至主单元。

有关如何缩短传感器单元线缆长度的信息，请参见 *缩短传感器单元线缆的长度* 在 *第170页*。

控制按钮

有关控制按钮的位置信息，请参见 *硬件概览* 在 *第156页*。

控制按钮用于：

- 将产品重置为出厂默认设置。参见 第171页。
- 连接至安讯士视频托管系统服务或安讯士互联网动态 DNS 服务。有关这些服务的更多信息，请参见用户手册。

SD 卡插槽

注意

- SD 卡损坏的风险。插入或移除 SD 卡时，切勿使用尖锐工具、金属物体或用力过度。使用手指插入和移除卡。
- 数据丢失和录制内容损坏风险。产品运行时，请勿移除 SD 卡。在移除之前，断开电源或从安讯士产品网页中卸载 SD 卡。

该产品支持 microSD/microSDHC/microSDXC 卡（不含）。

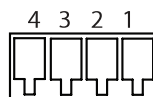
有关 SD 卡建议的更多信息，请访问 www.axis.com

规格

接口

I/O 接口

4 针接线端子



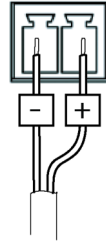
如欲获取示例图表，请参见 [连接图](#) 在第162页。

功能	引脚	备注	规格
0 V DC (-)	1		0 V DC
DC 输出	2	可用于为辅助设备供电。 注：此引脚仅可用作电源输出。	3.3 V DC 最大负载 = 50 mA
数字输入	3	连接至引脚 1 以启用或断开连接（未连接）以停用	0 至最大 40 V DC
数字输出	4	启用后连接至引脚 1，停用后断开连接（未连接）。如果与继电器等电感负载一起使用，必须将二极管与负载并联，以防止电压瞬变。	0 至最大 40 V DC，开漏，100 mA

AXIS P12 Network Camera Series

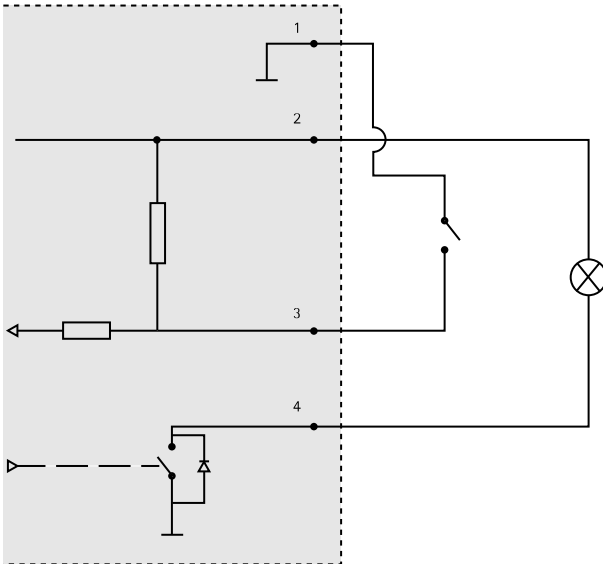
电源接口

2 针接线端子用于 DC 电源输入。使用符合安全超低压 (SELV) 规定, 且额定输出功率 $\leq 100\text{ W}$ 或额定输出电流 $\leq 5\text{ A}$ 的有限电源 (LPS)。



连接图

I/O 接口



- 1 0 V DC (-)
- 2 DC 输出 3.3 V, 最大 50 mA
- 3 数字输入 0 至最大 40 V DC
- 4 数字输出 0 至最大 40 V DC, 开漏, 100 mA

安装硬件

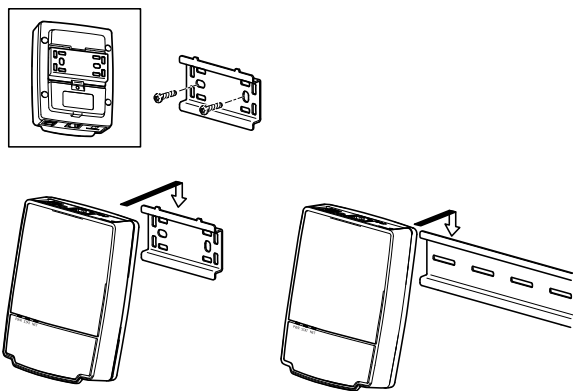
重要

主单元的外壳未核准在室外使用 – 只能在室内环境中安装此产品。

请记住产品标签上的序列号(S/N)。您在安装过程中可能需要用到该序列号。

主单元可安装到 DIN 滑轨上，或者使用随附的安装轨进行安装。

1. 如果使用安装轨，请使用适用于墙壁/天花板材质的螺钉和栓塞将其固定在墙壁或天花板上。请注意滑轨上两个突起的方向，它们应与主单元的上部对齐。
2. 将主单元的上端与 DIN 滑轨或安装轨对齐，并将下端卡入到位。
3. 按照说明继续安装下面的相应传感器单元。



ZH

如何安装 AXIS P1204 传感器单元

重要

AXIS P1204 传感器单元的外壳未核准在室外使用 – 只能在室内环境中安装此产品。

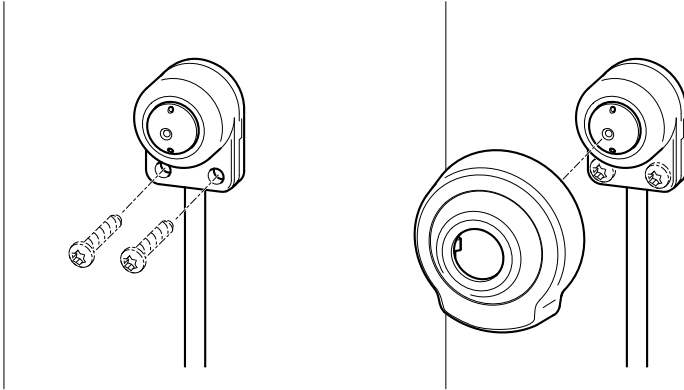
AXIS P1204 可采用三种不同的安装方式：

- 在任意水平表面上安装。
- 使用倾斜固定支架，在与水平表面形成一定角度的情况下安装。
- 以隐蔽的方式安装在一个较薄的物体后，例如门柱或 ATM 机中的金属板。

水平表面安装

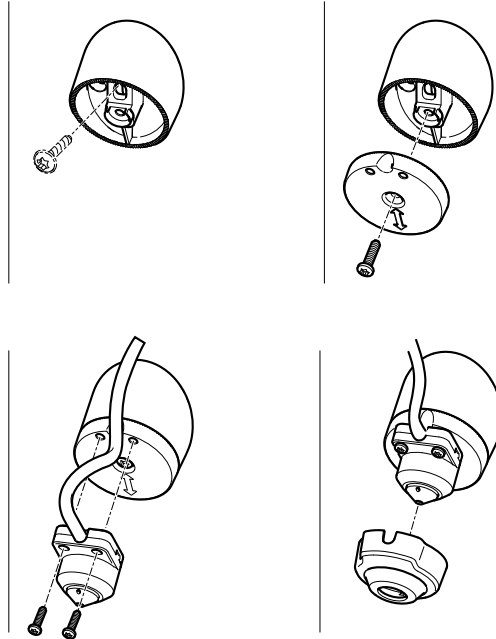
1. 使用适用于墙壁/天花板材质的螺钉和栓塞将其固定在墙壁或天花板上。
2. 装上盖子。

3. 继续连接线缆，请参见 *连接线缆* 在第169页。



倾斜表面安装

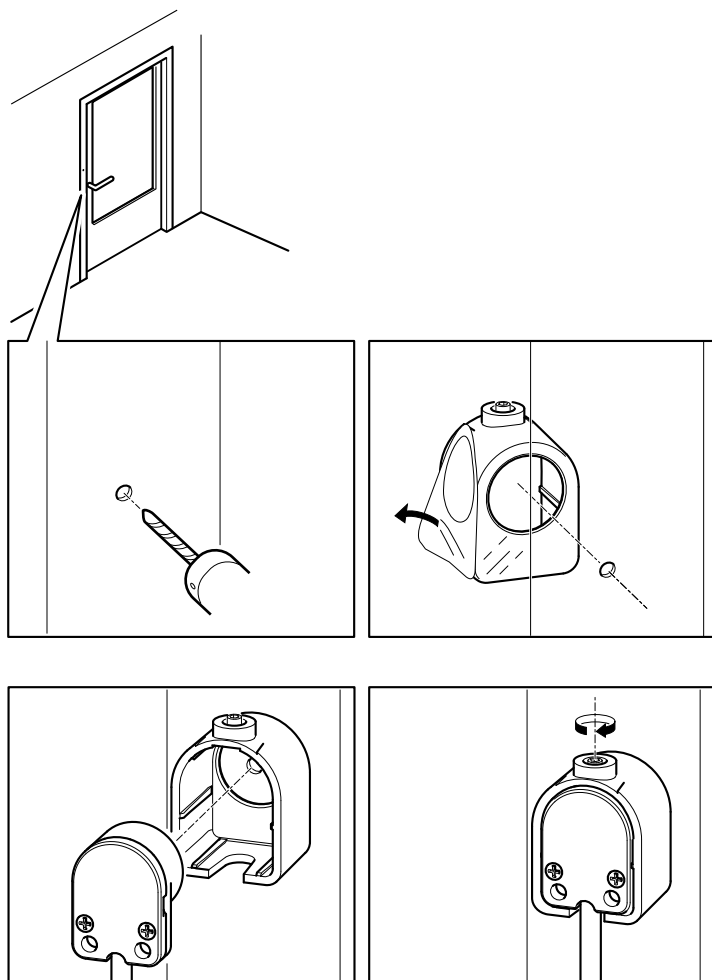
1. 请使用适用于墙壁/天花板材质的螺钉和栓塞将倾斜安装支架固定在墙壁或天花板上。确保支架面向要监控的区域。
2. 用螺钉安装面板并进行调整，以确保箭头处于垂直或水平方向。
3. 用两个螺钉将摄像机固定到面板上。
4. 装上盖子。
5. 继续连接线缆，请参见 *连接线缆* 在第169页。



ZH

隐蔽式安装

1. 在墙壁或天花板上钻一个直径 3 毫米的孔。如果材料的厚度超过 1 毫米，则可能需要使用打埋头孔刀具来扩大孔的直径。
2. 撕下不干胶上的保护膜，将水平安装支架连接至墙壁。
3. 将摄像机插入到支架中，并用防松螺钉固定。确保摄像机的圆锥体部分与墙壁保持水平。
4. 继续连接线缆，请参见[连接线缆](#) 在第169页。



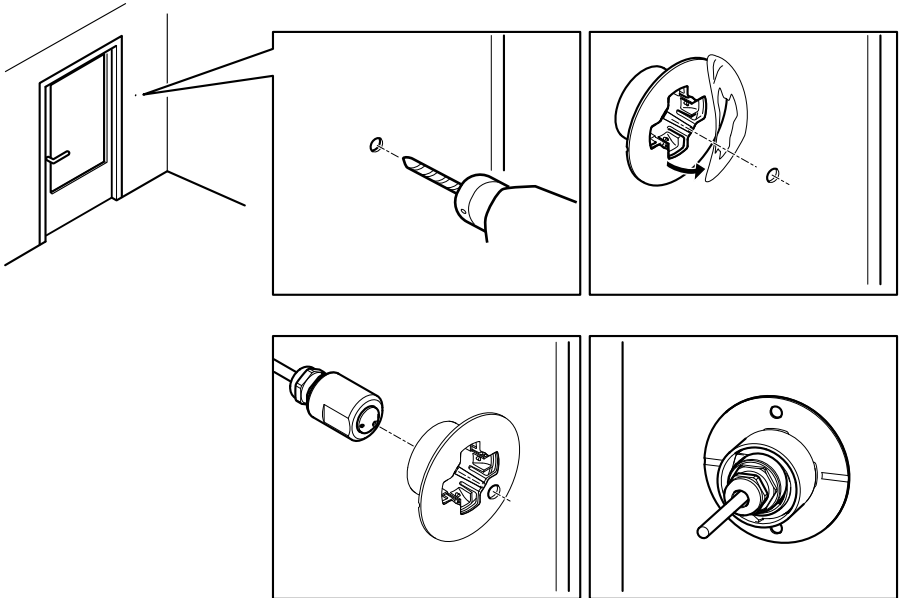
如何安装 AXIS P1214/AXIS P1224-E 传感器单元

重要

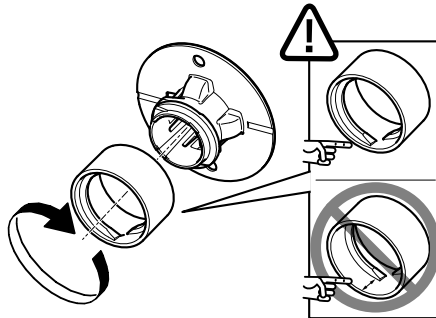
AXIS P1214 传感器单元的外壳未核准在室外使用 – 只能在室内环境中安装此产品。

AXIS P1214/AXIS P1224-E 可以安装在任意墙壁后面，可为镜头留一个小的开口，或者使整个镜头从墙壁穿过。

- 在墙壁上钻一个直径 20 毫米的孔，或者完全穿过墙壁，或者使用打埋头孔刀具挖一个更小的开口。
- 撕下不干胶上的保护膜，将安装支架连接至墙壁。或者，用两个螺钉将支架固定在孔中。
- 插入摄像机并拧紧锁定环，如下图所示。调整摄像机的位置，确保螺纹上的平面处于垂直或水平方向。
- 继续连接线缆，请参见[连接线缆](#) 在第169页。



ZH

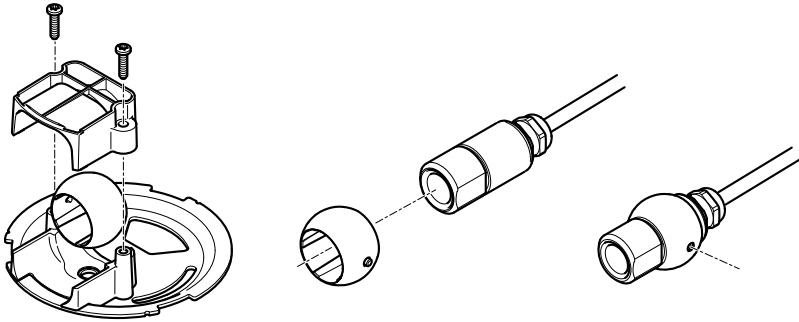


如何安装 AXIS P1214-E 传感器单元

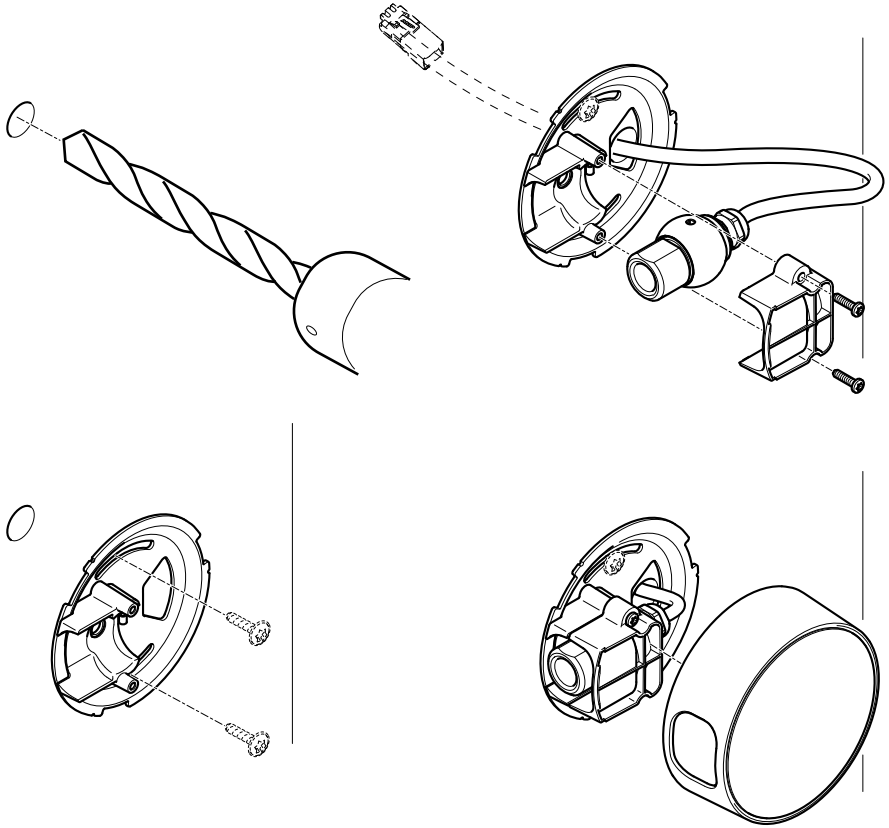
AXIS P1214-E 的安装方式类似于 AXIS P1214/AXIS P1224-EE，请参见第166页。

AXIS P1214-E 也可以安装在随附提供的室外防护罩中。线缆可穿过墙壁直接连接到防护罩中，或者通过盖子中的一个孔眼来连接线缆。

1. 卸下两个螺钉和支架。
2. 将摄像机插入到球头中，并用防松螺钉固定。



3. 在墙壁上钻一个孔，或者卸下盖子上的一個孔眼。
4. 使用适用于墙壁材质的螺钉和栓塞将面板固定在墙壁上。确保摄像机支架面向要监控的区域。如果要穿过墙壁连接线缆，请将面板中的孔眼与墙上的孔对齐。
5. 将球体放在插座中，并用螺钉固定支架。固定螺钉之前，使摄像机偏离墙壁。调整摄像机的位置，确保螺纹上的平面处于垂直或水平方向。
6. 穿过墙壁连接线缆，或者通过盖子上的孔眼连接线缆。
7. 装上盖子。
8. 继续连接线缆，请参见连接线缆 在第169页。



ZH

连接线缆

1. 可选择连接外部输入/输出设备，如报警设备。有关接口针脚的信息，请参见 [接口和按钮](#) 在第160页。
2. 使用屏蔽网线将主单元与网络连接。
3. 将传感器单元连接至主单元。如果需要，请缩短线缆的长度，请参见 [缩短传感器单元线缆的长度](#) 在第170页。
4. 使用下面所列的一种方法连接电源：
 - 以太网供电（PoE，二级）。连接网线时，系统将自动检测到 PoE（如果有）。
 - 通过接口连接电源。有关接口针脚的信息，请参见 [接口和按钮](#) 在第160页。

5. 查看 LED 指示灯指示情况是否正确。请参见 了解更多详情。请注意，某些 LED 可能会禁用且可能会熄灭。

缩短传感器单元线缆的长度

传感器单元交付时配有线缆。请注意，该线缆不可延长。如欲缩短线缆长度，请执行以下步骤：

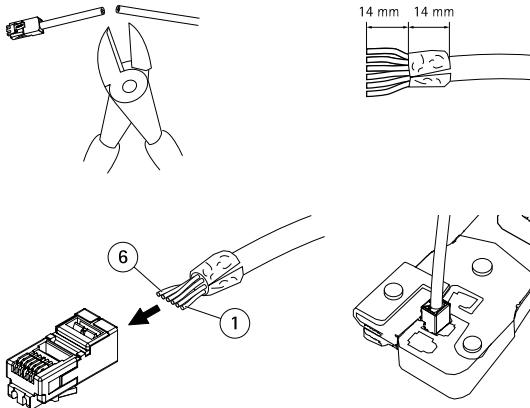
1. 将线缆切至所需长度。从传感器单元进行测量。
2. 剥离线缆末端的外部塑料涂层。
3. 揭开护罩。
4. 按照下面的顺序，使彩色线保持平整。

1	棕色
2	白色/棕色
3	未使用
4	未使用
5	白色/蓝色
6	蓝色

注意

请确保各条线保持正确顺序，而且线缆护罩与接口护罩有效接触。

5. 将线一直插入屏蔽的 6P6C RJ12 接口。
6. 使用压接工具将接口紧固至线缆上。



访问产品

AXIS IP Utility 和 AXIS Camera Management 推荐用于查找网络上的安讯士产品，并在 Windows 中为它们分配 IP 地址®。两款应用都免费提供，并可在下列网址中下载：www.axis.com/techsup

该产品可配合多数操作系统和浏览器使用。我们推荐使用下列浏览器：

- Internet Explorer® (搭配 Windows) ®
- Safari® (搭配 OS X) ®
- Chrome™ 或 Firefox® (搭配其他操作系统) 。

有关使用该产品的更多信息，请参见用户手册，网址：www.axis.com

重置为出厂默认设置

重要

重置为出厂默认设置应慎用。重置为出厂默认设置将把所有设置重置为出厂默认值，包括 IP 地址。

备注

安装和管理软件工具可通过以下网站中的支持页面获取：www.axis.com/techsup

要将产品重置为出厂默认设置，请执行以下操作：

也可通过 Web 界面将参数重置为出厂默认设置。访问 **设置 > 系统选项 > 维护**，并点击 **默认**。

ZH

更多信息

有关本文档的最新版本，请访问 www.axis.com

如欲查阅用户手册，请访问 www.axis.com

请访问 www.axis.com/techsup，查看是否存在网络产品的可用固件更新。如欲查看当前安装的固件版本，请访问 **设置 > 关于**。

访问安讯士学习中心 www.axis.com/academy，获取有用培训、网络研讨会、教程及指南。

保修信息

有关安讯士产品保修的信息及与之相关的信息，请访问 www.axis.com/warranty/

