

AXIS D2050-VE Network Radar Detector

Installation Guide

France: Français

FR

Deutschland: Deutsch

DE

Italia: Italiano

IT

España: Español

ES

日本: 日本語

JA

中文: 简体中文

ZH

Read this first

Read through this Installation Guide carefully before installing the product. Keep the Installation Guide for future reference.

Legal considerations

Radar surveillance can be regulated by laws that vary from country to country. Check the laws in your local region before using this product for surveillance purposes.

Liability

Every care has been taken in the preparation of this document. Please inform your local Axis office of any inaccuracies or omissions. Axis Communications AB cannot be held responsible for any technical or typographical errors and reserves the right to make changes to the product and manuals without prior notice. Axis Communications AB makes no warranty of any kind with regard to the material contained within this document, including, but not limited to, the implied warranties of merchantability and fitness for a particular purpose. Axis Communications AB shall not be liable nor responsible for incidental or consequential damages in connection with the furnishing, performance or use of this material. This product is only to be used for its intended purpose.

Intellectual property rights

Axis AB has intellectual property rights relating to technology embodied in the product described in this document. In particular, and without limitation, these intellectual property rights may include one or more of the patents listed at axis.com/patent and one or more additional patents or pending patent applications in the US and other countries.

Equipment modifications

This equipment must be installed and used in strict accordance with the instructions given in the user documentation. This equipment contains no user-serviceable components. Unauthorized equipment changes or modifications will invalidate all applicable regulatory certifications and approvals.

Trademark acknowledgements

AXIS COMMUNICATIONS, AXIS, ARTPEC and VAPIX are registered trademarks of Axis AB in various jurisdictions. All other trademarks are the property of their respective owners.

Regulatory information

Europe



This product complies with the applicable CE marking directives and harmonized standards:

- Electromagnetic Compatibility (EMC) Directive 2014/30/EU. See *Electromagnetic compatibility (EMC) on page 4*.
- Radio Equipment Directive (RED) 2014/53/EU. See *Radio transmission on page 5*.
- Low Voltage Directive (LVD) 2014/35/EU. See *Safety on page 6*.
- Restriction of Hazardous Substances (RoHS) Directive 2011/65/EU and 2015/863, including any amendments, updates or replacements. See *Disposal and recycling on page 6*.

A copy of the original declaration of conformity may be obtained from Axis Communications AB. See *Contact information on page 6*.

Electromagnetic compatibility (EMC)

This equipment has been designed and tested to fulfill applicable standards for:

- Radio frequency emission when installed according to the instructions and used in its intended environment.
- Immunity to electrical and electromagnetic phenomena when installed according to the instructions and used in its intended environment.

USA

This device complies with part 15 of the FCC Rules. Operation is subject to the following two conditions:

1. This device may not cause harmful interference, and
2. this device must accept any interference received, including interference that may cause undesired operation.

This equipment has been tested using a shielded network cable (STP) and found to comply with the limits for a Class A digital device, pursuant to part 15 of the FCC Rules. These limits are designed to provide reasonable protection against harmful interference when the equipment is operated in a commercial environment. This equipment generates, uses, and can radiate radio frequency energy and, if not installed and used in accordance with the instruction manual, may cause harmful interference to radio communications. Operation of this equipment in a residential area is likely to cause harmful interference in which case the user will be required to correct the interference at his own expense. The product shall be connected using a shielded network cable (STP) that is properly grounded.

Contact information

Axis Communications Inc.
300 Apollo Drive
Chelmsford, MA 01824
United States of America
Tel: +1 978 614 2000

Canada

This digital apparatus complies with CAN ICES-3 (Class A). The product shall be connected using a shielded network cable (STP) that is properly grounded. Cet appareil numérique est conforme à la norme CAN NMB-3 (classe A). Le produit doit être connecté à l'aide d'un câble réseau blindé (STP) qui est correctement mis à la terre.

Europe

This digital equipment fulfills the requirements for RF emission according to the Class A limit of EN 55032. The product shall be connected using a shielded network cable (STP) that is properly grounded. Notice! This is a Class A product. In a domestic environment this product may cause RF interference, in which case the user may be required to take adequate measures.

Australia/New Zealand

This digital equipment fulfills the requirements for RF emission according to the Class A limit of AS/NZS CISPR 32. The product shall be connected using a shielded network cable (STP) that is properly grounded. Notice! This is a Class A product. In a domestic environment this product may cause RF

interference, in which case the user may be required to take adequate measures.

Japan

この装置は、クラスA機器です。この装置を住宅環境で使用すると電波妨害を引き起こすことがあります。この場合には使用者が適切な対策を講ずるよう要求されることがあります。VCCI-A

本製品は、シールドネットワークケーブル(STP)を使用して接続してください。また適切に接地してください。

本製品は電気通信事業者(移動通信会社、固定通信会社、インターネットプロバイダ等)の通信回線(公衆無線LANを含む)に直接接続することができません。本製品をインターネットに接続する場合は、必ずルータ等を経由し接続してください。

Korea

이 기기는 업무용 환경에서 사용할 목적으로 적

합성 평가를 받은 기기로서 가정용 환경에서 사

용하는 경우 전파간섭의 우려가 있습니다. 적절

히 접지된 STP (shielded twisted pair) 케이블을

사용하여 제품을 연결 하십시오.

Radio transmission

This equipment may generate or use radio frequency energy. The user could lose the authority to operate this equipment if an unauthorized change or modification is made.

The transmitter operates at 24.05–24.25 GHz with maximum output power < 20 dBm.

USA

This equipment complies with the limits for a Class A digital device, pursuant to part 15 of the FCC Rules. Operation is subject to the following two conditions: (1) this device may not cause harmful interference, and (2) this device must accept any interference received, including interference that may cause undesirable operation.

This product complies with FCC radiation exposure limits for an uncontrolled environment. This equipment shall be installed and operated with a minimum distance of 20 cm (7.9 in) between the user and the device.

Canada

This device complies with Industry Canada licence-exempt RSS standard(s). Operation is subject to the following two conditions: (1) this device may not cause interference, and (2) this device must accept any interference, including interference that may cause undesired operation of the device.

This product complies with IC radiation exposure limits for an uncontrolled environment. This equipment shall be installed and operated with a minimum distance of 20 cm (7.9 in) between the user and the device. Transmitter carrier frequency is 24.050–24.250 GHz, and field strength is 95.0 dBµV/m measured at 3 m distance.

Le présent appareil est conforme aux CNR d'Industrie Canada applicables aux appareils radio exempts de licence. L'exploitation est autorisée aux deux conditions suivantes : (1) l'appareil ne doit pas produire de brouillage, et (2) l'utilisateur de l'appareil doit accepter tout brouillage radioélectrique subi, même si le brouillage est susceptible d'en compromettre le

fonctionnement.

Ce produit est conforme aux limites d'exposition aux radiations IC pour un environnement non contrôlé. L'équipement doit être installé et fonctionné à une distance minimum de 20 cm (7,9 po) entre l'utilisateur et le dispositif. La fréquence porteuse du transmetteur est de 24,050–24,250 GHz, et l'intensité du champ est de 95,0 dBµV/m mesurée à 3 m de distance.

Europe

Hereby, Axis Communications AB declares that this product is in compliance with the essential requirements and other relevant provisions of Directive 2014/53/EC.

FR

Par la présente Axis Communications AB déclare que l'appareil ce produit est conforme aux exigences essentielles et aux autres dispositions pertinentes de la directive 2014/53/CE.

DE

Hiermit erklärt Axis Communications AB, dass sich dieses Produkt in Übereinstimmung mit den grundlegenden Anforderungen und den anderen relevanten Vorschriften der Richtlinie 2014/53/EG befindet.

IT

Con la presente Axis Communications AB dichiara che questo prodotto è conforme ai requisiti essenziali ed alle altre disposizioni pertinenti stabilite dalla direttiva 2014/53/CE.

ES

Por medio de la presente Axis Communications AB declara que el este producto cumple con los requisitos esenciales y cualesquiera otras disposiciones aplicables o exigibles de la Directiva 2014/53/CE.

FI

Axis Communications AB vakuuttaa täten että tämä tuote tyypinen laite on direktiivin 2014/53/EY oleellisten vaatimusten ja sitä koskevien direktiivin muiden ehtojen mukainen.

NL

Hierbij verklaart Axis Communications AB dat het toestel in overeenstemming is met de essentiële eisen en de andere relevante bepalingen van richtlijn 2014/53/EG.

SV

Härmed intygar Axis Communications AB att denna produkt står i överensstämmelse med de väsentliga egenskapskrav och övriga relevanta bestämmelser som framgår av direktiv 2014/53/EG.

DA

Undertegnede Axis Communications AB erklærer herved, at følgende udstyr overholder de væsentlige krav og øvrige relevante krav i direktiv 2014/53/EF.

PT

Axis Communications AB declara que este produto está conforme com os requisitos essenciais e outras disposições da Directiva 2014/53/CE.

EL

ΜΕ ΤΗΝ ΠΑΡΟΥΣΑ Axis Communications AB ΔΗΛΩΝΕΙ ΟΤΙ αυτό το προϊόν ΣΥΜΜΟΡΦΩΝΕΤΑΙ ΠΡΟΣ ΤΙΣ ΟΥΣΙΩΔΕΙΣ ΑΠΑΙΤΗΣΕΙΣ ΚΑΙ ΤΙΣ ΛΟΙΠΕΣ ΣΧΕΤΙΚΕΣ ΔΙΑΤΑΞΕΙΣ ΤΗΣ ΟΔΗΓΙΑΣ 2014/53/ΕΚ.

This equipment can be used in the following countries:

AT, BE, BG, CH, CY, CZ, DE, DK, EE, EL, ES, FI, FR, HR, HU, IE, IS, IT, LI, LT, LU, LV, MT, NL, NO, PL, PT, RO, SE, SI, SK, TR, UK

Taiwan

取得審驗證明之低功率射頻器材，非經核准，公司、商號或使用者均不得擅自變更頻率、加大功率或變更原設計之特性及功能。低功率射頻器材之使用不得影響飛航安全及干擾合法通信；經發現有干擾現象時，應立即停用，並改善至無干擾時方得繼續使用。前述合法通信，指依電信管理法規定作業之無線電通信。低功率射頻器材須忍受合法通信或工業、科學及醫療用電波輻射性電機設備之干擾。

Japan

本製品は、特定無線設備の技術基準適合証明を受けています。

Brazil

Este produto está homologado pela ANATEL, de acordo com os procedimentos regulamentados pela Resolução 242/2000 e atende aos requisitos técnicos aplicados.



Este equipamento opera em caráter secundário, isto é, não tem direito a proteção contra interferência prejudicial, mesmo de estações do mesmo tipo, e não pode causar interferência a sistemas operando em caráter primário.

Para maiores informações, consulte o site da ANATEL www.anatel.gov.br.

Mexico

La operación de este equipo está sujeta a las siguientes dos condiciones:

1. Es posible que este equipo o dispositivo no cause interferencia perjudicial.
2. Este equipo o dispositivo debe aceptar cualquier interferencia. Incluyendo la que pueda causar su operación no deseada.

Oman

OMAN-TRA

TRA/TA-R/5016/17

D100428

Safety

If its connecting cables are routed outdoors, the product shall be grounded either through a shielded network cable (STP) or other appropriate method.

This product complies with IEC/EN/UL 62368-1, safety of audio/video and IT equipment, and IEC/EN/UL 60950-22, Safety of Information Technology Equipment. The product shall be grounded either through a shielded network cable (STP) or other appropriate method.

Disposal and recycling

When this product has reached the end of its useful life, dispose of it according to local laws and regulations. For information about your nearest designated collection point, contact your local authority responsible for waste disposal. In accordance with local legislation, penalties may be applicable for incorrect disposal of this waste.

Europe



This symbol means that the product shall not be disposed of together with household or commercial waste. Directive 2012/19/EU on waste electrical and electronic equipment (WEEE) is applicable in the European Union member states. To prevent potential harm to human health and the environment, the product must be disposed of in an approved and environmentally safe recycling process. For information about your nearest designated collection point, contact your local authority responsible for waste disposal. Businesses should contact the product supplier for information about how to dispose of this product correctly.

This product complies with the requirements of Directive 2011/65/EU and 2015/863 on the restriction of the use of certain hazardous substances in electrical and electronic equipment (RoHS).

China



This product complies with the requirements of SJ/T 11364-2014, Marking for the restriction of hazardous substances in electrical and electronic products.

有毒有害物质或元素						
部件名称	铅 (Pb)	汞 (Hg)	镉 (Cd)	六价铬 (Cr-VI)	多溴联苯 (PB-B)	多溴二苯醚 (PB-DE)
电气实装部分	X	0	0	0	0	0
<p>0: 表示该有毒有害物质在该部件均质材料中的含量均在GB/T 26572标准规定的限量要求以下。</p> <p>X: 表示该有毒有害物质至少在该部件的某一均质材料中的含量超出GB/T 26572标准规定的限量要求。</p>						

Contact information

Axis Communications AB

Gränden 1

223 69 Lund

Sweden

Tel: +46 46 272 18 00

Fax: +46 46 13 61 30

axis.com

Warranty information

For information about Axis' product warranty and thereto related information, go to axis.com/warranty.

Support

Should you require any technical assistance, please contact your Axis reseller. If your questions cannot be answered immediately, your reseller will forward your queries through the appropriate channels to ensure a rapid response. If you are connected to the Internet, you can:

- download user documentation and software updates
- find answers to resolved problems in the FAQ database, search by product, category, or phrase
- report problems to Axis support staff by logging in to your private support area
- chat with Axis support staff
- visit Axis Support at axis.com/support

Learn more!

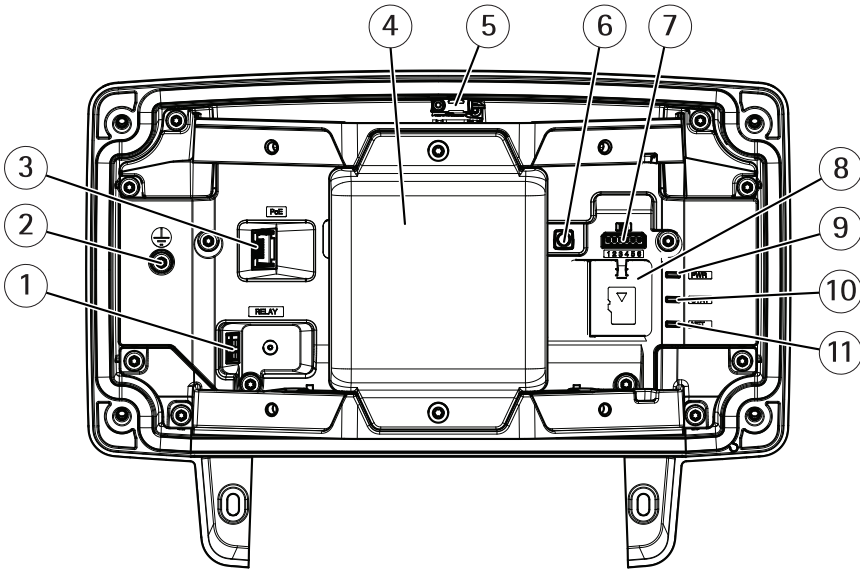
Visit Axis learning center axis.com/academy for useful trainings, webinars, tutorials and guides.

Package contents

- AXIS D2050-VE Network Radar Detector
- Mount bracket
- Pipe adapter (2x)
- Screw T30 (4x) for use with pole mount.
- Torx screwdriver TR20
- Mounting tool for RJ45
- Cable shoe
- Lock washer
- Cable gasket, gray (2x)
- Cable gasket, black
- Cable gland
- 6-pin I/O connector block for connecting external devices
- Printed materials
 - Installation Guide (this document)
 - Extra serial number label (2x)
 - AVHS Authentication key
 - Drill template
 - Radar surveillance sticker

AXIS D2050-VE Network Radar Detector

Product overview



- 1 Relay connector
- 2 Grounding screw
- 3 Network connector
- 4 Radar module
- 5 Intrusion alarm switch
- 6 Control button
- 7 I/O connector
- 8 microSD card slot
- 9 Power LED
- 10 Status LED
- 11 Network LED

Where to install the product

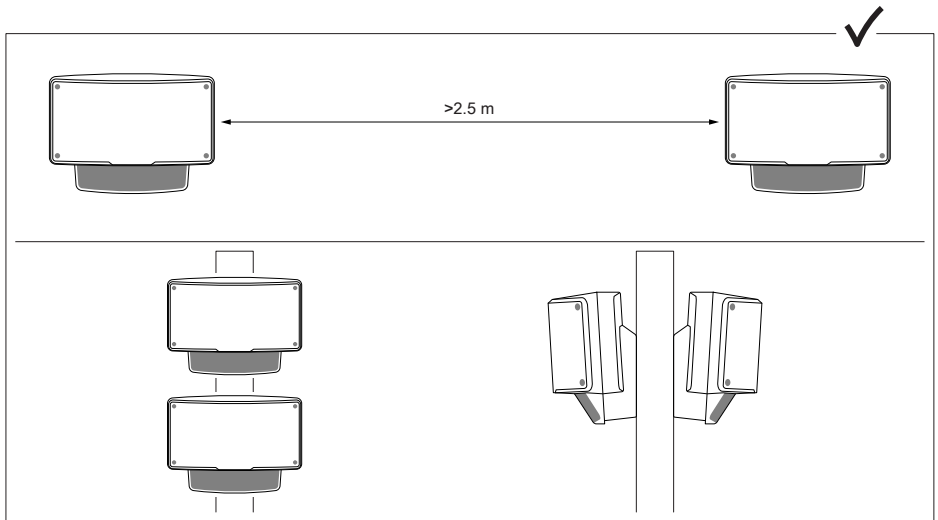
The detector is intended for monitoring open areas. Any solid object (such as a tree or a bush) in the coverage area will create a blind spot (radar shadow) behind it.

Install the detector on a pole, or on a spot on a wall where there are no other objects or installations close to it.

To be able to correctly identify movement in the coverage area, the detector needs to be installed on a stable mount. Do not install the detector on a swaying pole.

If two radar detectors are mounted close together they may interfere with each other. To avoid interference you can select different channels for the detectors. To configure different channels, see *How to install multiple detectors on page 21*.

To avoid interference between radar detectors that are mounted side by side, the distance between the units should be at least 2.5 meters. If two detectors are side by side but angled away from each other, for instance when mounted on a pole, then there might not be any interference even if they are closer than 2.5 meters from each other. Detectors that are mounted one above the other do not cause interference, no matter the distance.



At the recommended mounting height, the near detection limit is 4.5 m (15 ft).

If there are a lot of metal objects in the field of view there will be a lot of reflections impacting the performance.

Note

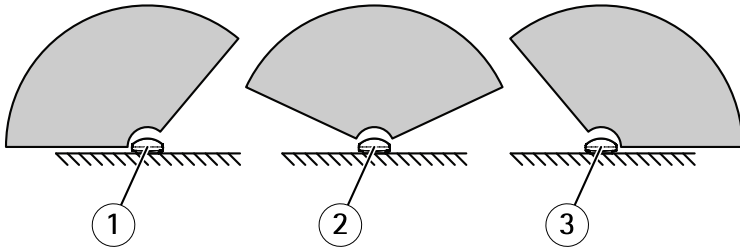
Do not repaint the detector. The paint may seriously impact the detector's performance.

AXIS D2050-VE Network Radar Detector

Mounting direction

The detector covers an angle of $\pm 60^\circ$ from its central axis. This means that if you mount it on a wall there is a blind spot to each side of the detector.

To cover the wall you can move the radar module inside the detector.



- 1 -25° mounting direction
- 2 0° mounting direction
- 3 25° mounting direction

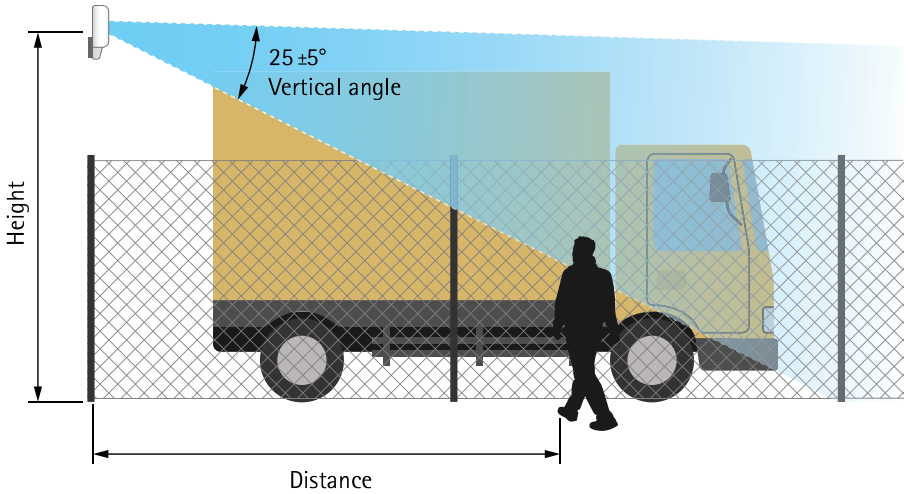
Mounting height

For optimal performance, install the detector 3.5 m (11 ft) above ground.

Note

If you install the detector at a different height, enter the actual mounting height in the product's web pages before calibrating the radar.

AXIS D2050-VE Network Radar Detector



The following table shows the detection range at different mounting heights when detecting a 1.8 m (6 ft) tall person walking.

Mounting height	3.5 m (11 ft)	4 m (13 ft)	4.5 m (15 ft)	5 m (16 ft)
Near detection limit	4.5 m (15 ft)	6 m (20 ft)	7 m (23 ft)	8.5 m (28 ft)
Far detection limit (max. values)	49 m (161 ft)	51 m (167 ft)	51 m (167 ft)	52 m (171 ft)

Mounting tilt

The detector is designed to be mounted 3.5 m above ground. When the detector is mounted higher up the near detection limit is impaired.

To improve the near detection limit, tilt the detector downwards with AXIS T91R61 Wall Mount.

The table shows the detection range for a human entering in the middle of the detection zone.

	Height: 3 m	Height: 4 m	Height: 5 m	Height: 6 m	Height: 7 m	Height: 8 m
Tilt: 0°	TBD	7.5–44.5 m	9–48.5 m	13.5–47 m	17–44 m	20.5–43 m

AXIS D2050-VE Network Radar Detector

Tilt: 10°	3.5–36 m	5–33.5 m	6.5–40.5 m	8.5–38 m	11–46 m	13.5–47.5 m
Tilt: 20°	TBD	TBD	5–26 m	6.5–28 m	TBD	8–31 m

How to install the product

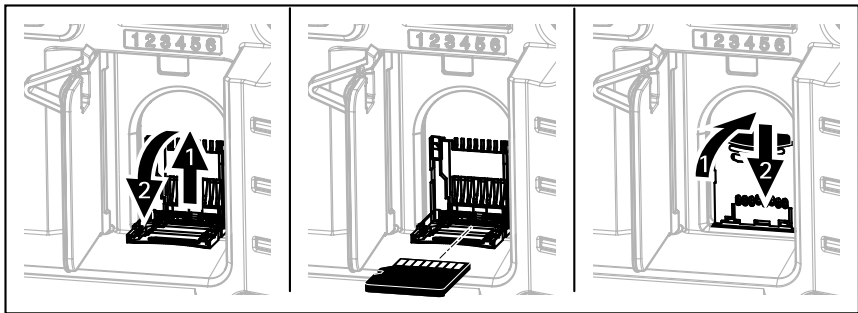
⚠WARNING

Risk of electric shock. The product shall be grounded either through a shielded network cable (STP) or using a grounding wire. If using a grounding wire, make sure both ends of the grounding wire are in contact with their respective grounding surfaces.

⚠CAUTION

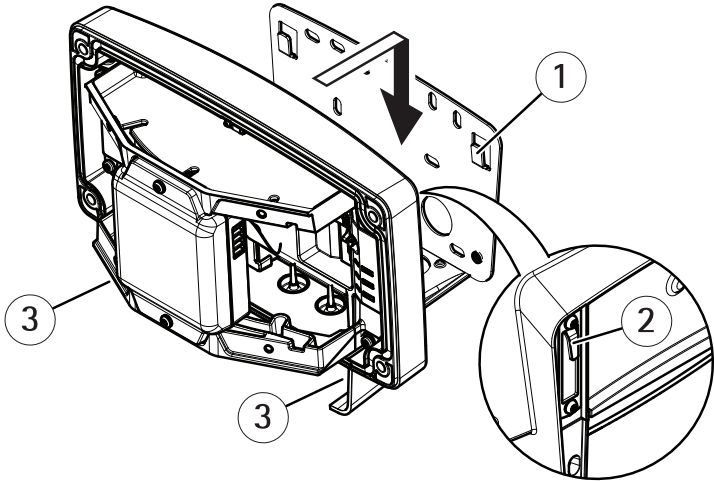
Make sure that the screws and plugs are appropriate for the material (e.g. wood, metal, drywall, stone) and that the material is strong enough to support the weight of the detector.

1. Use the drill template and mark the holes before drilling.
2. Fasten the mounting bracket to the wall.
3. Route the network cable through the mounting bracket. Leave approximately 30 cm (12 in) of cable for connecting the detector.
4. If connecting an auxiliary device, for example an I/O, repeat the step above as applicable to the specific device.
5. Remove the front cover from the detector.
6. If using a microSD card for local storage, insert the card into the detector's microSD card slot.



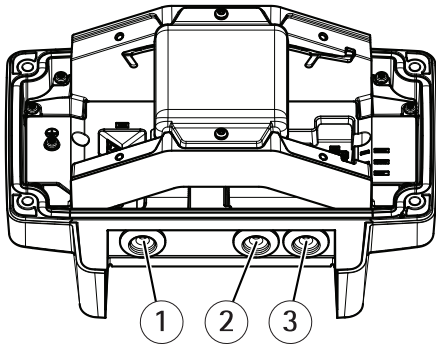
7. Attach the detector to the mounting bracket with the hooks and fasten with the screws.

AXIS D2050-VE Network Radar Detector



- 1 Hook, bracket side
- 2 Hook, detector side
- 3 Screw (2x)

8. Remove the right hand cable gasket and pull the tab to open a hole for the network cable.



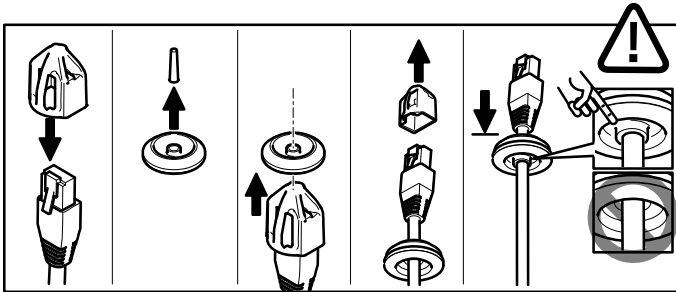
- 1 Ground/Relay
- 2 I/O
- 3 Network

AXIS D2050-VE Network Radar Detector

NOTICE

- If more than one cable is used, each cable must be routed through a separate cable gasket.
- Only open a hole in cable gaskets that will be used and if a cable gasket is torn, replace it with a new cable gasket. Leaving a cable gasket open or using a torn cable gasket could cause water to seep in and damage the product.

9. Push the network cable through the cable gasket.



NOTICE

If the network cable has a premounted network connector, remove the cable gasket and use the connector guard to prevent tearing of the cable gasket. Avoid using network cables with capped network connectors because they could cause tearing of the cable gasket despite using the connector guard.

10. Pull the network cable back slightly so that the cable gasket adjusts itself on the cable.

NOTICE

Not pulling the cable back could cause water to seep in and damage the product.

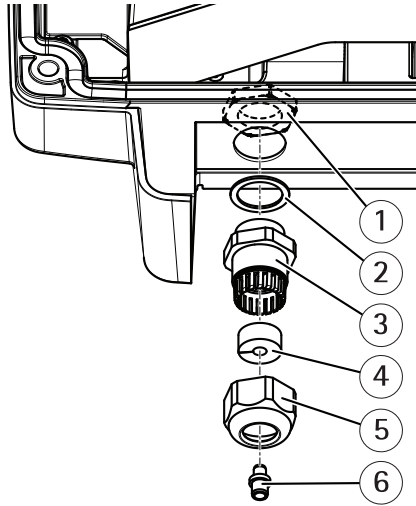
11. Put back the cable gasket.
12. If connecting an auxiliary device, for example an I/O, repeat the step above as applicable to the specific device.

NOTICE

Mount the connectors after the cables are pushed through the cable gasket.

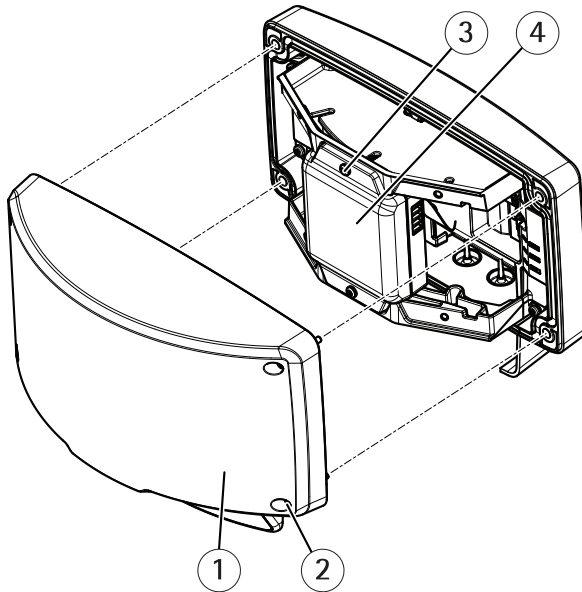
13. To use a cable gland with strain relief, assemble it as shown below. Tighten the nut and cap firmly by hand.

AXIS D2050-VE Network Radar Detector



- 1 Nut
- 2 Gasket
- 3 Body
- 4 Seal
- 5 Cap
- 6 Plug (discard)

- 14. If using a grounding wire, attach it to the cable shoe using cable shoe pliers. Attach the cable shoe to the grounding screw. Make sure the cable shoe is in contact with the grounding surface.
- 15. Connect external devices to the detector.
- 16. Connect the network cable.
- 17. Make sure that the LEDs indicate the correct condition. See *LED Indicators* on page 24.
- 18. If required, move the radar unit to one of the other mounting directions, see *Where to install the product* on page 11.



- 1 Front cover
- 2 Screw (4x)
- 3 Screw (2x)
- 4 Radar unit

19. Attach the front cover and tighten the screws.

Find the device on the network

To find Axis devices on the network and assign them IP addresses in Windows®, use AXIS IP Utility or AXIS Device Manager. Both applications are free and can be downloaded from axis.com/support.

For more information about how to find and assign IP addresses, see the document *How to assign an IP address and access your device*.

AXIS D2050-VE Network Radar Detector

Configure the detector

The detector is ready to use as soon as it is installed. The default live view will show the radar coverage and any detected movement, and you can add detection zones and rules right away.

To make it easier to see where objects are moving, you can upload a reference map, for example a ground plan or an aerial photo, that shows the area covered by the radar detector.

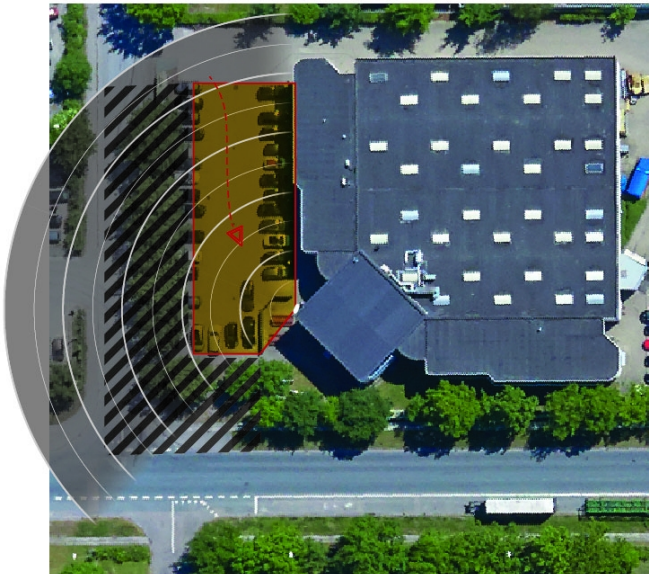


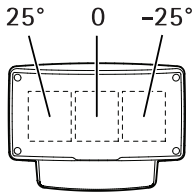
Image requirements:

- Supported file formats are jpeg and png.
- Use an image with the same proportions (16:9) or resolution (1920x1080) as the live view. If the image is smaller it will be scaled to fit the window. If the proportions are wrong, the image will not fill the entire video stream.
- Crop the image to fit the coverage of the radar as closely as possible before uploading it.
- The orientation is not important, since the radar coverage shape will be moved to adapt to the image during calibration.

After uploading the reference map you need to calibrate the radar so that the actual radar coverage fits the position, direction and scale of the reference map.

There are two methods for calibrating the reference map:

- **Calibration using pins:** The calibration is performed in the web interface by dropping pins in know locations in the reference map and setting the distance between the pins. When calibrating using pins, you need to select the mounting position of the radar module inside the detector.



- **Calibration using tracks:** The calibration method requires a person to move in front of the radar.
You can do this yourself while accessing the web interface from a mobile device, or have someone else move and follow your instructions.
When moving around in the different steps, move to places that are easy to find in the reference map.

How to configure the detector

1. To upload a reference map, go to **Settings > Radar > Reference map**. Select **Browse** to find an image file, and select **Upload** to place the image in the live view.
2. To calibrate the reference map, go to **Settings > Radar > Reference map calibration**. Select **Start calibration** and follow the instructions.

How to install multiple detectors

If two radar detectors of are mounted close together they may interfere with each other. To avoid problems, select different channels for the detectors.

1. Go to **Settings > Radar > General** and select **Channel**.

Reset to factory default settings

Important

Reset to factory default should be used with caution. A reset to factory default resets all settings, including the IP address, to the factory default values.

To reset the product to the factory default settings:

1. Disconnect power from the product.
2. Press and hold the control button while reconnecting power. See *Product overview on page 10*.
3. Keep the control button pressed for 15–30 seconds until the status LED indicator flashes amber.
4. Release the control button. The process is complete when the status LED indicator turns green. The product has been reset to the factory default settings. If no DHCP server is available on the network, the default IP address is 192.168.0.90.
5. Use the installation and management software tools to assign an IP address, set the password, and access the video stream.
The installation and management software tools are available from the support pages on axis.com/support.

It is also possible to reset parameters to factory default through the web interface. Go to **Settings > System > Maintenance** and click **Default**.

Further information

- For the latest version of this document, see *axis.com*
- The user manual is available at *axis.com*
- To check if there is updated firmware available for your device, see *axis.com/support*
- For useful online trainings and webinars, see *axis.com/academy*

Optional accessories

For a complete list of available accessories for this product, go to the product's page on *axis.com* and select Software Et Accessories.

- AXIS T91R61 Wall Mount
- AXIS T91A47 Pole Mount
- AXIS T94R01B Corner Bracket

AXIS D2050-VE Network Radar Detector

Specifications

LED Indicators

Status LED	Indication
Green	Steady green for normal operation.
Amber	Steady during startup. Flashes when restoring settings.

Network LED	Indication
Green	Steady for connection to a 100 Mbit/s network. Flashes for network activity.
Amber	Steady for connection to a 10 Mbit/s network. Flashes for network activity.
Unlit	No network connection.

Power LED	Indication
Green	Normal operation.
Amber	Flashes green/amber during firmware upgrade.

SD card slot

For SD card recommendations, see axis.com.

Buttons

Control button

For location of the control button, see *Product overview on page 10*.

The control button is used for:

- Resetting the product to factory default settings. See *page 22*.

Connectors

Network connector

RJ45 Ethernet connector with Power over Ethernet Plus (PoE+).

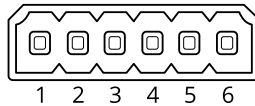
I/O connector

Use the I/O connector with external devices in combination with, for example, event triggering and alarm notifications. In addition to the 0 V DC reference point and power (DC output), the I/O connector provides the interface to:

Digital input – For connecting devices that can toggle between an open and closed circuit, for example PIR sensors, door/window contacts, and glass break detectors.

Digital output – For connecting external devices such as relays and LEDs. Connected devices can be activated by the VAPIX® Application Programming Interface, through an event or from the product's webpage.

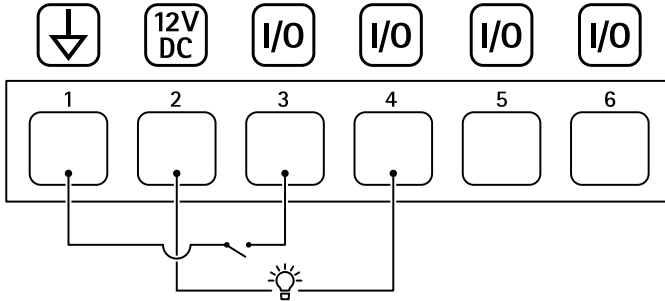
6-pin terminal block



Function	Pin	Notes	Specifications
DC ground	1		0 V DC
DC output	2	Can be used to power auxiliary equipment. Note: This pin can only be used as power out.	12 V DC Max load = 50 mA
Configurable (Input or Output)	3– 6	Digital input – Connect to pin 1 to activate, or leave floating (unconnected) to deactivate.	0 to max 30 V DC
		Digital output – Internally connected to pin 1 (DC ground) when active, and floating (unconnected) when inactive. If used with an inductive load, e.g., a relay, connect a diode in parallel with the load, to protect against voltage transients.	0 to max 30 V DC, open drain, 100 mA

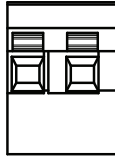
Example

AXIS D2050-VE Network Radar Detector



- 1 DC ground
- 2 DC output 12 V, max 50 mA
- 3 I/O configured as input
- 4 I/O configured as output
- 5 Configurable I/O
- 6 Configurable I/O

Relay connector



⚠ CAUTION

Use single core wires for the relay connector.

Function	Specifications
Type	Normally open
Rating	24 V DC
Max. current	5 A
Isolation from other circuitry	2.5 kV
Electrical endurance	24 V DC, 25 000 operations at +70°C (158 °F)

Operating conditions

Product	Classification	Temperature	Humidity
AXIS D2050-VE	IEC 60529 IP66 NEMA 250 Type 4X	-40 °C to 60 °C (-40 °F to 140 °F)	10–100% RH (condensing)

Power consumption

NOTICE

Use a Safety Extra Low Voltage (SELV) compliant limited power source (LPS) with either a rated output power limited to ≤ 100 W or a rated output current limited to ≤ 5 A.

Product	Power over Ethernet	Power
AXIS D2050-VE	IEEE 802.3at, Type 2 Class 4	Typical 9 W Max. 15 W

Safety information

Hazard levels

▲DANGER

Indicates a hazardous situation which, if not avoided, will result in death or serious injury.

▲WARNING

Indicates a hazardous situation which, if not avoided, could result in death or serious injury.

▲CAUTION

Indicates a hazardous situation which, if not avoided, could result in minor or moderate injury.

NOTICE

Indicates a situation which, if not avoided, could result in damage to property.

Other message levels

Important

Indicates significant information which is essential for the product to function correctly.

Note

Indicates useful information which helps in getting the most out of the product.

AXIS D2050-VE Network Radar Detector

Safety instructions

⚠ DANGER

Risk of electric shock. All cables shall be de-energized before installing or performing maintenance on the product.

⚠ WARNING

The Axis product shall be installed by a trained professional, and in compliance with local laws and regulations.

⚠ CAUTION

Be careful of sharp metal edges. Use cut-resistant gloves during installation.

NOTICE

- The Axis product shall be used in compliance with local laws and regulations.
- Axis recommends using a shielded network cable (STP).
- Axis recommends using a network cable of category CAT5e or higher.
- Store the Axis product in a dry and ventilated environment.
- Avoid exposing the Axis product to shocks or heavy pressure.
- Avoid exposing the Axis product to vibration.
- Do not install the product on unstable poles, brackets, surfaces or walls.
- Do not install the product on vibrating poles, brackets, surfaces or walls.
- Use only applicable tools when installing the Axis product. Using excessive force with power tools could cause damage to the product.
- Do not use chemicals, caustic agents, or aerosol cleaners.
- Use a clean cloth dampened with pure water for cleaning.
- Use only accessories that comply with the technical specification of your product. These can be provided by Axis or a third party. Axis recommends using Axis power source equipment compatible with your product.
- Use only spare parts provided by or recommended by Axis.
- Do not attempt to repair the product yourself. Contact Axis support or your Axis reseller for service matters.

Transportation

NOTICE

- When transporting the Axis product, use the original packaging or equivalent to prevent damage to the product.

Battery

▲CAUTION

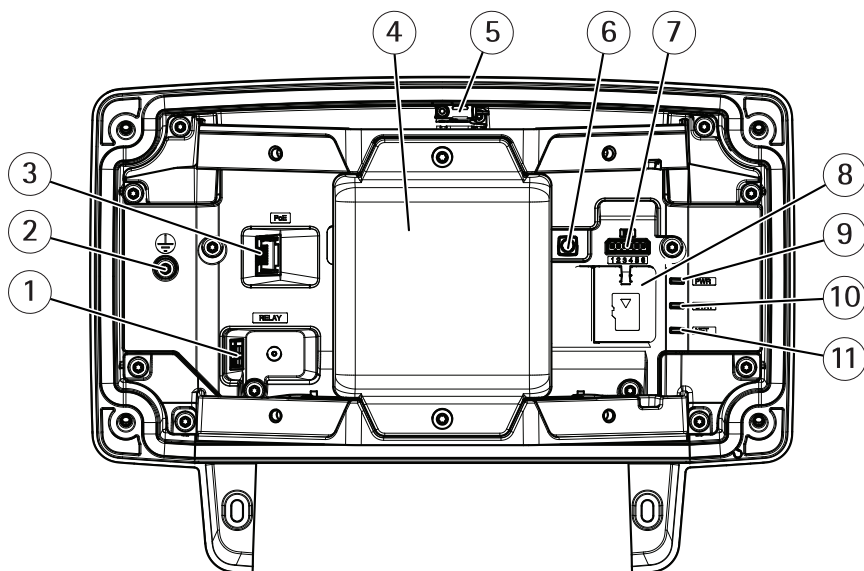
Do not replace the battery yourself. Contact Axis support if the log message requests a battery change.

Lithium coin cell 3.0 V batteries contain 1,2-dimethoxyethane; ethylene glycol dimethyl ether (EGDME), CAS no. 110-71-4.

Contenu de l'emballage

- AXIS D2050-VE Network Radar Detector
- Support mural
- Adaptateur de tube (x 2)
- Vis T30 (x 4) pour utilisation avec la fixation sur poteau.
- Tournevis Torx TR20
- Outil de montage pour RJ45
- Cosse de câble
- Rondelle de blocage
- Joint de câble, gris (x 2)
- Joint de câble, noir
- Presse-étoupe
- Bloc de connexion à 6 broches pour le raccordement de dispositifs externes au connecteur pour terminaux E/S
- Documents imprimés
 - Guide d'installation (ce document)
 - Étiquette supplémentaire de numéro de série (x2)
 - Clé d'authentification AVHS
 - Gabarit de perçage
 - Adhésif surveillance radar

Vue d'ensemble du produit



- 1 *Connecteur relais*
- 2 *Vis de mise à la terre*
- 3 *Connecteur réseau*
- 4 *Module radar*
- 5 *Interrupteur d'alarme d'intrusion*
- 6 *Bouton de commande*
- 7 *Connecteur d'E/S*
- 8 *Emplacement pour carte microSD*
- 9 *Voyant d'alimentation*
- 10 *Voyant d'état*
- 11 *Voyant réseau*

Où installer le produit

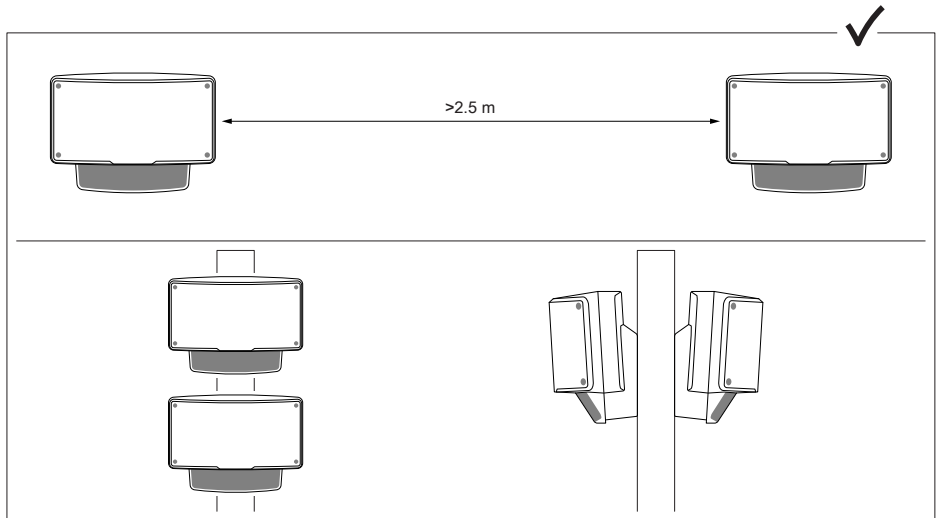
Le détecteur est réservé à la surveillance des zones ouvertes. Tout objet solide (un arbre ou un buisson par exemple) situé dans la zone de couverture crée un angle mort (ombre radar) derrière lui.

Installez le détecteur sur un poteau, ou à un endroit du mur où il n'y a pas d'autres objets ou d'installations à proximité.

Afin de pouvoir identifier correctement les mouvements dans la zone de couverture, le détecteur doit être installé sur un support stable. Ne jamais installer le détecteur sur un poteau mobile.

Si deux détecteurs radar sont montés l'un à côté de l'autre, ils risquent d'interférer l'un avec l'autre. Pour éviter les interférences, vous pouvez sélectionner différents canaux pour les détecteurs. Pour configurer différents canaux, voir *Comment installer plusieurs détecteurs page 45*.

Pour éviter les interférences entre des détecteurs radar montés l'un à côté de l'autre, la distance entre les unités doit être d'au moins 2,5 mètres. Si deux détecteurs sont installés l'un à côté de l'autre mais qu'ils sont orientés selon des angles différents, comme sur un poteau par exemple, il se peut qu'ils ne génèrent aucune interférence même si la distance qui les sépare est inférieure à 2,5 m. Les détecteurs montés l'un au-dessus de l'autre ne génèrent aucune interférence, quelle que soit la distance.



À la hauteur de montage recommandée, la limite proche de la détection est de 4,5 m (15 pi).

S'il y a beaucoup d'objets métalliques dans le champ de vision il y aura beaucoup de reflets qui impacteront la performance.

AXIS D2050-VE Network Radar Detector

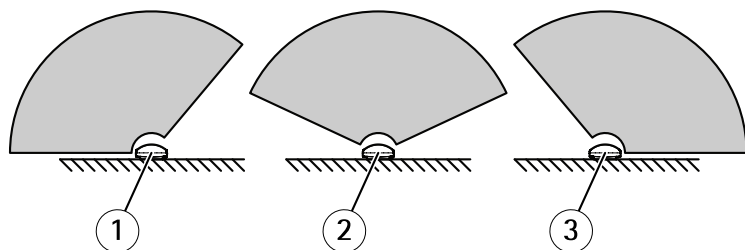
Note

Ne jamais repeindre le détecteur. La peinture peut sérieusement impacter la performance du détecteur.

Direction du montage

Le détecteur couvre un angle de $\pm 60^\circ$ depuis son axe central. Par conséquent, si vous l'installez sur une cloison, il y aura un angle mort de chaque côté du détecteur.

Pour couvrir le mur vous pouvez déplacer le module radar à l'intérieur du détecteur.



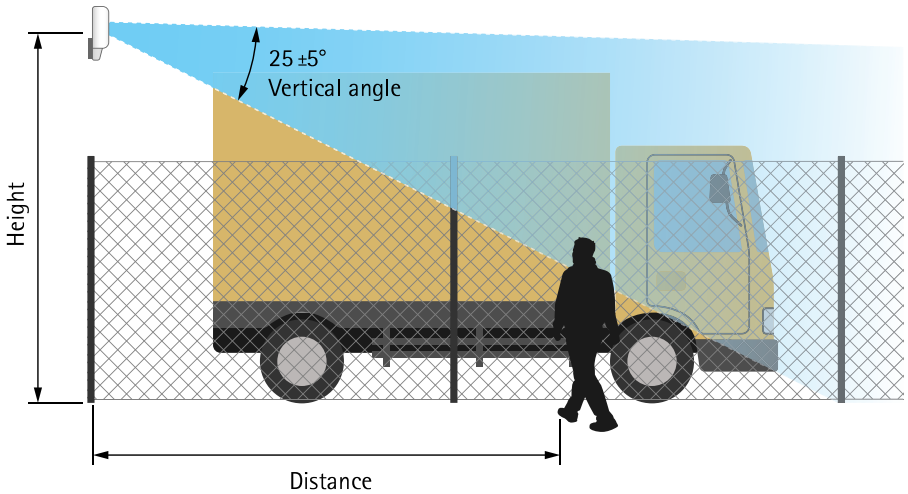
- 1 *Direction du montage -25°*
- 2 *Direction du montage 0°*
- 3 *Direction du montage 25°*

Hauteur de montage

Pour une performance optimale, installez le détecteur à 3,5 m (11 pi) au-dessus du sol.

Note

Si vous installez le détecteur à une hauteur différente, saisissez la hauteur de montage effective dans les pages Web du produit avant de calibrer le radar.



Le tableau suivant indique la portée de détection à différentes hauteurs de montage pour détecter une personne de 1,80 m (6 pi) en train de marcher.

Hauteur de montage	3,5 m (11 pi)	4 m (13 pi)	4,5 m (15 pi)	5 m (16 pi)
Limite proche de la détection	4,5 m (15 pi)	6 m (20 pi)	7 m (23 pi)	8,5 m (28 pi)
Limite éloignée de la détection (valeurs maxi.)	49 m (161 pi)	51 m (167 pi)	51 m (167 pi)	52 m (171 pi)

Inclinaison de montage

Le détecteur est conçu pour être installé à 3,5 m au-dessus du sol. Si le détecteur est installé plus haut, la limite proche de la détection en sera affectée.

Afin d'améliorer la limite proche de la détection, inclinez le détecteur vers le bas à l'aide d'AXIS T91R61 Wall Mount.

Le tableau indique la portée de détection d'un humain entrant au milieu de la zone de détection.

AXIS D2050-VE Network Radar Detector

	Hauteur : 3 m	Hauteur : 4 m	Hauteur : 5 m	Hauteur : 6 m	Hauteur : 7 m	Hauteur : 8 m
Inclinaison : 0°	Reste à confirmer	7,5 - 44,5 m	9 - 48,5 m	13,5 - 47 m	17 - 44 m	20,5 - 43 m
Inclinaison : 10°	3,5 - 36 m	5 - 33,5 m	6,5 - 40,5 m	8,5 - 38 m	11 - 46 m	13,5 - 47,5 m
Inclinaison : 20°	Reste à confirmer	Reste à confirmer	5 - 26 m	6,5 - 28 m	Reste à confirmer	8 - 31 m

Comment installer le produit

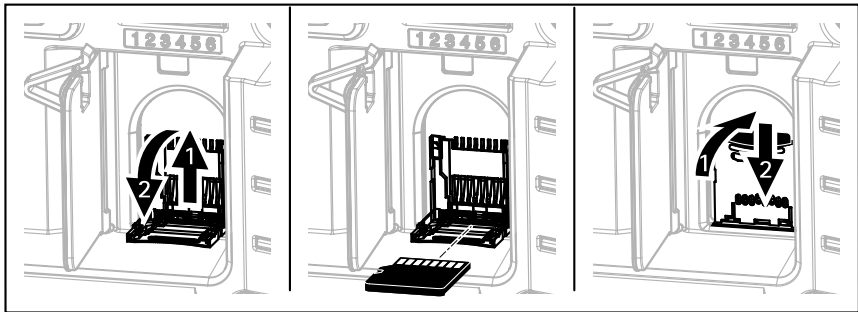
⚠️ AVERTISSEMENT

Risque de choc électrique. Il doit être mis à la terre soit à l'aide d'un câble réseau blindé (STP), soit à l'aide d'un câble de mise à la terre. Si vous utilisez un câble de mise à la terre, assurez-vous que les deux extrémités du câble de mise à la terre sont en contact avec les surfaces de mise à la terre correspondantes.

⚠️ ATTENTION

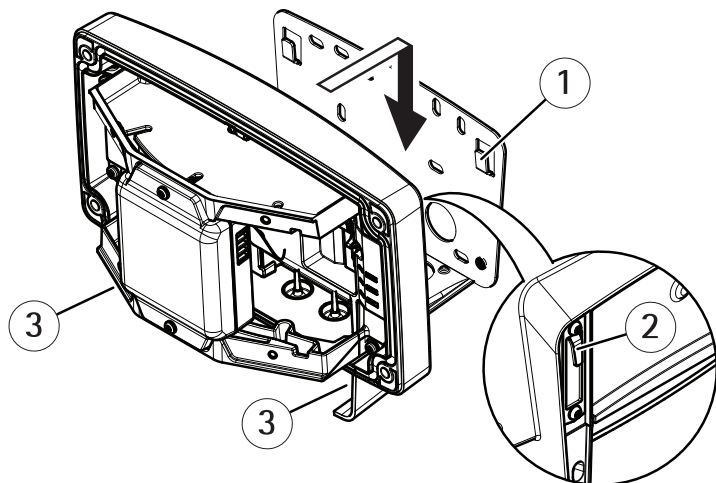
Assurez-vous que les vis et les fiches sont adaptées au matériau (bois, métal, cloison sèche, pierre, etc.) et que le matériau est suffisamment résistant pour supporter le poids du détecteur.

1. Utilisez le gabarit de perçage et marquez les trous avant de les percer.
2. Fixez le support de montage au mur.
3. Acheminez le câble réseau à travers le support de montage. Laissez environ 30 cm (12 po) de câble pour la connexion du détecteur.
4. Si vous connectez un périphérique auxiliaire, par exemple une entrée/sortie, répétez l'étape ci-dessus pour chaque périphérique.
5. Retirez le cache avant du détecteur.
6. Si vous utilisez une carte microSD comme espace de stockage local, insérez la carte dans le logement de carte microSD du détecteur.



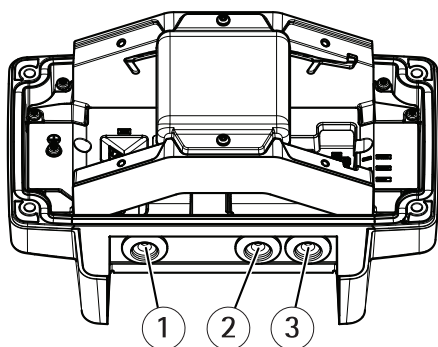
7. Fixez le détecteur au support de fixation à l'aide des crochets et serrez les vis.

AXIS D2050-VE Network Radar Detector



- 1 Crochet, côté support
- 2 Crochet, côté détecteur
- 3 Vis (x2)

8. Retirez le joint de câble à droite et tirez sur la patte pour ouvrir un trou au niveau du câble réseau.



- 1 Terre / Relais
- 2 E/S
- 3 Réseau

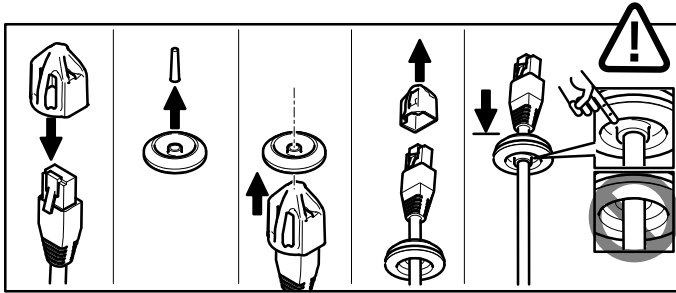
AVIS

- Si vous utilisez plusieurs câbles, chacun doit être acheminé au travers d'un joint de câble distinct.

AXIS D2050-VE Network Radar Detector

- Ouvrez uniquement un trou dans les joints de câble qui seront utilisés. Si un joint de câble est endommagé, remplacez-le par un nouveau. L'utilisation d'un joint de câble ouvert ou endommagé risque d'entraîner une infiltration d'eau et d'endommager le produit.
9. Faites passer le câble réseau à travers le joint de câble.

FR



AVIS

Si le câble réseau dispose d'un connecteur réseau pré-installé, retirez le joint de câble et utilisez la protection du connecteur pour éviter tout endommagement du joint de câble. Évitez d'utiliser des câbles réseau équipés de connecteurs réseau recouverts, car ils peuvent endommager le joint de câble, et ce malgré leur protection.

10. Tirez légèrement sur le câble réseau pour que le joint s'ajuste dessus.

AVIS

Si vous ne tirez pas sur le câble, il existe un risque d'infiltration d'eau et d'endommagement du produit.

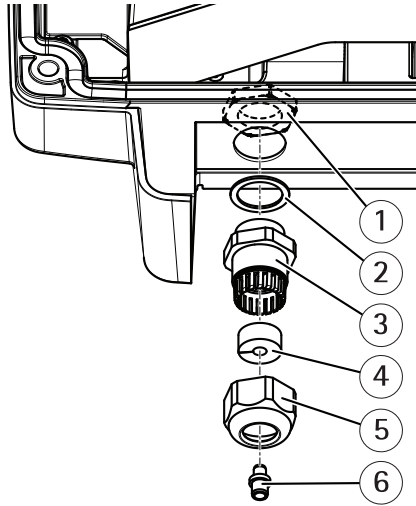
11. Remettez en place le joint de câble.
12. Si vous connectez un périphérique auxiliaire, par exemple une entrée/sortie, répétez l'étape ci-dessus pour chaque périphérique.

AVIS

Installez les connecteurs une fois les câbles insérés dans le joint de câble.

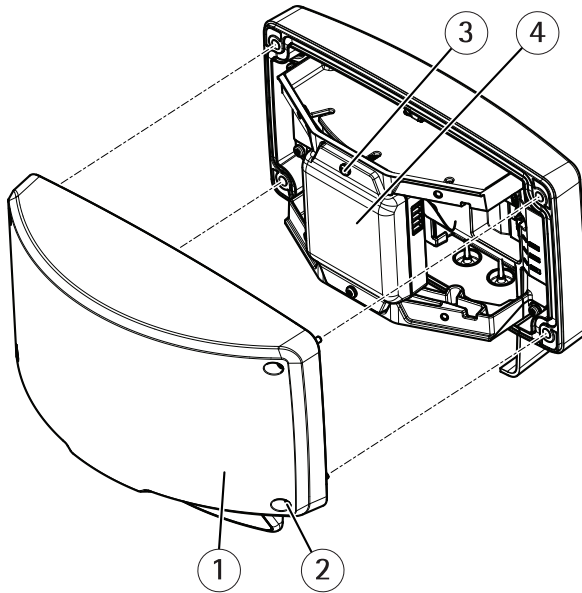
13. Pour utiliser un presse-étoupe avec réducteur de tension, assemblez-le comme illustré ci-dessous. Serrez fermement l'écrou et le capuchon à la main.

AXIS D2050-VE Network Radar Detector



- 1 Écrou
- 2 Joint
- 3 Boîtier
- 4 Joint
- 5 Capuchon
- 6 Bouchon (rebut)

- 14. Si vous utilisez un câble de mise à la terre, fixez-le au câble à l'aide de pinces à sertir pour cosses de câble. Fixez la cosse de câble à la vis de mise à la terre. Assurez-vous que la cosse de câble est en contact avec la surface de mise à la terre.
- 15. Connectez les périphériques externes au détecteur.
- 16. Branchez le câble réseau.
- 17. Vérifiez que les voyants indiquent l'état correct. Cf. *Voyants page 48*.
- 18. Le cas échéant, déplacez l'unité radar dans l'une des autres directions de montage, voir *Où installer le produit page 35*.



- 1 Cache avant
- 2 Vis (x4)
- 3 Vis (x2)
- 4 Unité radar

19. Fixez le cache avant, puis serrez les vis.

Trouver le périphérique sur le réseau

Pour trouver les périphériques Axis présents sur le réseau et leur attribuer des adresses IP sous Windows®, utilisez AXIS IP Utility ou AXIS Device Manager. Ces applications sont gratuites et peuvent être téléchargées via axis.com/support.

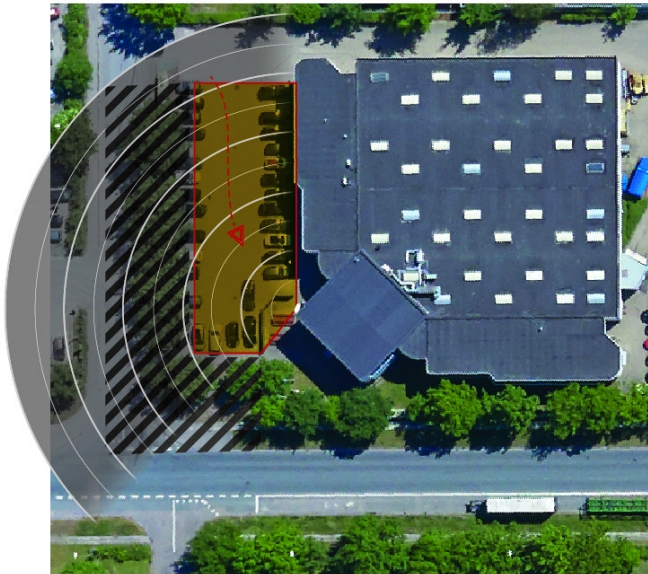
Pour plus d'informations sur la détection et l'assignation d'adresses IP, voir le document *Comment assigner une adresse IP et accéder à votre périphérique*.

AXIS D2050-VE Network Radar Detector

Configurez le détecteur

Le détecteur est prêt à l'emploi dès qu'il est installé. La vidéo en direct par défaut montre la couverture du radar et tout mouvement détecté, et vous pouvez ajouter immédiatement des zones de détection et des règles.

Pour voir plus facilement où se trouvent les objets en mouvement, vous pouvez télécharger une carte de référence, par exemple un plan de base ou une photo aérienne, qui indique la zone couverte par le détecteur radar.



Exigences relatives à l'image :

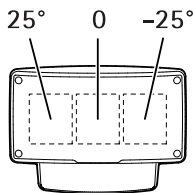
- Les formats de fichiers pris en charge sont jpeg et png.
- Utilisez une image avec les mêmes proportions (16:9) ou la même résolution (1920 x 1080) que la vidéo en direct. Si l'image est plus petite elle sera agrandie à l'échelle de la fenêtre. Si les proportions sont incorrectes, l'image ne remplira pas la totalité du flux vidéo.
- Recadrer l'image pour correspondre à la couverture du radar aussi précisément que possible avant de la télécharger.
- L'orientation n'est pas importante, étant donné que la forme de la couverture radar sera modifiée pour s'adapter à l'image pendant le calibrage.

Après avoir téléchargé la carte de référence, vous devez calibrer le radar de sorte que la couverture réelle du radar corresponde à la position, à la direction et à l'échelle de la carte de référence.

Il existe deux méthodes de calibrage de la carte de référence :

- **Calibrage à l'aide de broches** : Le calibrage est effectué dans l'interface Web en déposant des broches dans des emplacements connus de la carte de référence et en définissant la distance entre les broches.

En cas de calibrage à l'aide de broches, vous devez sélectionner la position de montage du module radar à l'intérieur du détecteur.



- **Calibrage à l'aide de points de suivi** : Une personne doit se déplacer devant le radar. Vous pouvez donc le faire vous-même en accédant à l'interface Web depuis un appareil mobile ou demander à quelqu'un de se déplacer et de suivre vos instructions. Lors des différentes étapes de déplacement, allez dans des endroits faciles à trouver dans la carte de référence.

Comment configurer le détecteur

1. Pour télécharger une carte de référence, accédez à **Settings > Radar > Reference map (Paramètres > Radar > Carte de référence)**. Sélectionnez **Parcourir** pour trouver un fichier image, puis sélectionnez **Télécharger** pour placer l'image dans la vidéo en direct.
2. Pour calibrer la carte de référence, accédez à **Settings > Radar > Reference map calibration (Paramètres > Radar > Calibrage carte de référence)**. Sélectionnez **Start calibration (Démarrer le calibrage)** et suivez les instructions.

Comment installer plusieurs détecteurs

Si deux détecteurs radar sont montés l'un à côté de l'autre, ils risquent d'interférer l'un avec l'autre. Pour éviter tout problème, sélectionnez différents canaux pour les détecteurs.

1. Allez à **Settings > Radar > General (Paramètres > Radar > Général)** et sélectionnez **Canal**.

Réinitialiser les paramètres par défaut

Important

La réinitialisation aux paramètres par défaut doit être utilisée avec prudence. Cette opération restaure tous les paramètres par défaut, y compris l'adresse IP.

Pour réinitialiser l'appareil aux paramètres d'usine par défaut :

1. Déconnectez l'alimentation de l'appareil.
2. Maintenez le bouton de commande enfoncé en remettant l'appareil sous tension. Cf. *Vue d'ensemble du produit page 34*.
3. Maintenez le bouton de commande enfoncé pendant 15 à 30 secondes, jusqu'à ce que le voyant d'état clignote en orange.
4. Relâchez le bouton de commande. Le processus est terminé lorsque le voyant d'état passe au vert. Les paramètres d'usine par défaut de l'appareil ont été rétablis. En l'absence d'un serveur DHCP sur le réseau, l'adresse IP par défaut est 192 . 168 . 0 . 90.
5. Utilisez les outils d'installation et de gestion pour attribuer une adresse IP, configurer le mot de passe et accéder au flux de données vidéo.

Les logiciels d'installation et de gestion sont disponibles sur les pages d'assistance du site axis.com/support.

Vous pouvez également restaurer les paramètres par défaut à partir de l'interface Web. Accédez à **Settings > System > Maintenance (Paramètres > Système > Maintenance)**, puis cliquez sur **Default (Par défaut)**.

Informations complémentaires

- Pour obtenir la version la plus à jour de ce document, voir axis.com
- Le manuel d'utilisateur est disponible sur le site axis.com
- Pour vérifier s'il existe un firmware mis à jour pour votre appareil, voir axis.com/support
- Pour accéder à des formations et webinaires en ligne utiles, voir axis.com/academy

Accessoires en option

Pour une liste complète des accessoires disponibles pour ce produit, accédez à la page du produit sur axis.com et sélectionnez Logiciel et accessoires.

- AXIS T91R61 Wall Mount
- AXIS T91A47 Pole Mount
- AXIS T94R01B Corner Bracket

Caractéristiques

Voyants

LED de statut	Indication
Vert	Vert et fixe en cas de fonctionnement normal.
Orange	Fixe pendant le démarrage. Clignote lors de la restauration des paramètres.

LED réseau	Indication
Verte	Fixe en cas de connexion à un réseau de 100 Mbits/s. Clignote en cas d'activité réseau.
Orange	Fixe en cas de connexion à un réseau de 10 Mbit/s. Clignote en cas d'activité réseau.
Éteint	Pas de connexion réseau.

Power LED	Indication
Verte	Fonctionnement normal.
Orange	Le voyant vert/orange clignote pendant la mise à niveau du firmware.

Fente pour carte SD

Pour des recommandations sur les cartes SD, rendez-vous sur axis.com.

Boutons

Bouton de commande

Pour connaître l'emplacement du bouton de commande, consultez *Vue d'ensemble du produit* page 34.

Le bouton de commande permet de réaliser les opérations suivantes :

- Réinitialisation du produit aux paramètres d'usine par défaut. Cf. page 46.

Connecteurs

Connecteur réseau

Connecteur Ethernet RJ45 avec l'alimentation par Ethernet Plus (PoE+).

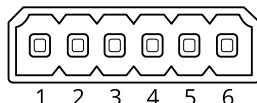
Connecteur d'E/S

Utilisez le connecteur d'E/S avec des périphériques externes associés à des applications telles que le déclenchement d'événements et les notifications d'alarme. En plus du point de référence 0 V CC et de l'alimentation (sortie CC), le connecteur d'E/S fournit une interface aux éléments suivants :

Entrée numérique – Pour connecter des dispositifs pouvant passer d'un circuit ouvert à un circuit fermé, par exemple capteurs infrarouge passifs, contacts de porte/fenêtre et détecteurs de bris de verre.

Sortie numérique – Permet de connecter des dispositifs externes, comme des relais ou des voyants. Les appareils connectés peuvent être activés par l'interface de programmation VAPIX®, via un événement ou à partir de la page Web du produit.

Bloc terminal à 6 broches

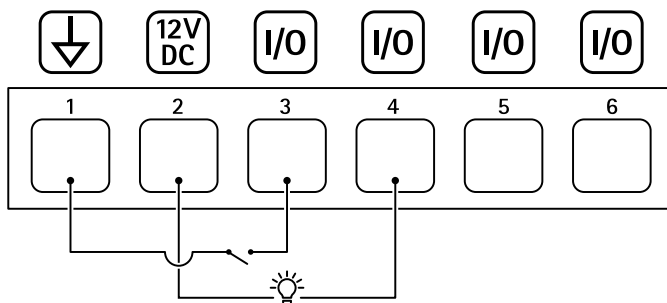


Fonction	B-roche	Remarques	Caractéristiques
Masse du CC	1		0 V CC
Sortie CC	2	Peut servir à alimenter le matériel auxiliaire. Remarque : cette broche ne peut être utilisée que comme sortie d'alimentation.	12 V CC Charge max. = 50 mA

AXIS D2050-VE Network Radar Detector

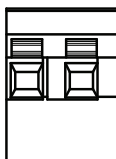
Configurable (entrée ou sortie)	3–	Entrée numérique - Connectez-vous à la broche 1 pour activer ou laisser non connecté pour désactiver.	0 à 30 V CC max.
	6	Sortie numérique - Connexion interne à la broche 1 (terre CC) en cas d'activation, et flottante (déconnectée) en cas de désactivation. En cas d'utilisation avec une charge inductive, par exemple un relais, connectez une diode en parallèle à la charge pour assurer la protection contre les transitoires de tension.	0 à 30 V CC max., drain ouvert, 100 mA

Exemple



- 1 Masse du CC
- 2 Sortie CC 12 V, maxi. 50 mA
- 3 Entrée/sortie configurée comme entrée
- 4 Entrée/sortie configurée comme sortie
- 5 E/S configurable
- 6 E/S configurable

Connecteur relais



⚠ ATTENTION

Utilisez des fils à brin unique pour le connecteur relais.

AXIS D2050-VE Network Radar Detector

FR

Fonction	Caractéristiques
Type	Ouvert normalement
Certification	24 V CC
Courant maxi.	5 A
Isolation des autres circuits	2,5 kV
Résistance électrique	24 V CC, 25 000 opérations à +70°C (158°F)

Conditions d'utilisation

Produit	Classification	Température	Humidité
AXIS D2050-VE	IEC 60529 IP66 NEMA 250 Type 4X	De -40°C à 60°C (-40°F à 140°F)	Humidité relative de 10 à 100 % (avec condensation)

Consommation électrique

AVIS

Utilisez une source d'alimentation limitée (LPS) conforme aux exigences de Très basse tension de sécurité (TBTS) dont la puissance de sortie nominale est limitée à ≤ 100 W ou dont le courant de sortie nominal est limité à ≤ 5 A.

Produit	Alimentation par Ethernet	Alimentation
AXIS D2050-VE	IEEE 802.3at, Type 2 Classe 4	Standard 9 W Max. 15 W

Informations sur la sécurité

Niveaux de risques

▲ DANGER

Indique une situation dangereuse qui, si elle n'est pas évitée, entraînera le décès ou des blessures graves.

▲ AVERTISSEMENT

Indique une situation dangereuse qui, si elle n'est pas évitée, pourrait entraîner le décès ou des blessures graves.

▲ ATTENTION

Indique une situation dangereuse qui, si elle n'est pas évitée, pourrait entraîner des blessures légères ou modérées.

AVIS

Indique une situation qui, si elle n'est pas évitée, pourrait endommager l'appareil.

Autres niveaux de message

Important

Indique les informations importantes, nécessaires pour assurer le bon fonctionnement de l'appareil.

Note

Indique les informations utiles qui permettront d'obtenir le fonctionnement optimal de l'appareil.

Consignes de sécurité

⚠ DANGER

Risque de choc électrique. Tous les câbles doivent être mis hors tension avant l'installation ou une intervention de maintenance sur le produit.

⚠ AVERTISSEMENT

Le produit Axis doit être installé par un professionnel qualifié et conformément aux lois et réglementations locales en vigueur.

⚠ ATTENTION

Faire attention aux bords métalliques coupants. Porter des gants de protection anti-coupures pendant l'installation.

AVIS

- Le produit Axis doit être utilisé conformément aux lois et règlements locaux.
- Axis recommande d'utiliser un câble réseau blindé (STP).
- Axis recommande d'utiliser un câble réseau de catégorie CAT5e ou supérieure.
- Conserver ce produit Axis dans un environnement sec et ventilé.
- Ne pas exposer ce produit Axis aux chocs ou aux fortes pressions.
- Ne pas exposer ce produit Axis aux vibrations.
- Ne pas installer ce produit sur des poteaux, supports, surfaces ou murs instables.
- Ne pas installer ce produit sur des poteaux, supports, surfaces ou murs soumis à des vibrations.
- Utiliser uniquement des outils recommandés pour l'installation de l'appareil Axis. L'application d'une force excessive sur l'appareil avec des outils puissants pourrait l'endommager.
- Ne pas utiliser de produits chimiques, de substances caustiques ou de nettoyeurs pressurisés.
- Utiliser un chiffon propre imbibé d'eau pure pour le nettoyage.
- Utiliser uniquement des accessoires conformes aux caractéristiques techniques de votre produit. Ils peuvent être fournis par Axis ou un tiers. Axis recommande d'utiliser un équipement d'alimentation Axis compatible avec votre produit.
- Utiliser uniquement les pièces de rechange fournies ou recommandées par Axis.
- Ne pas essayer de réparer vous-même ce produit. Contacter l'assistance technique d'Axis ou votre revendeur Axis pour des problèmes liés à l'entretien.

Transport

AVIS

- Lors du transport du produit Axis, utilisez l'emballage d'origine ou un équivalent pour éviter d'endommager le produit.

FR

Batterie

⚠ATTENTION

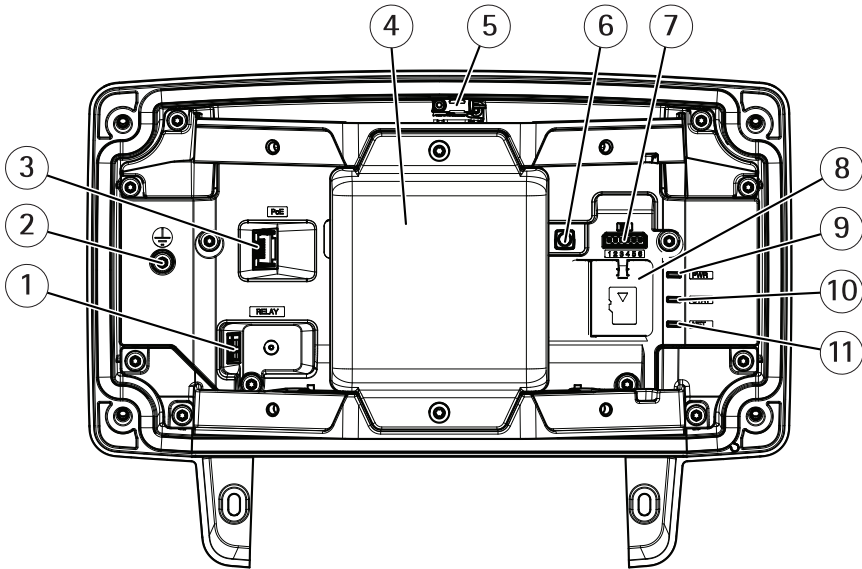
Ne remplacez pas la batterie vous-même. Contactez le support Axis si le message du journal demande un changement de batterie.

Les piles boutons 3,0 V au lithium contiennent du 1,2-diméthoxyéthane, éthylène glycol diméthyl éther (EGDME), CAS n° 110-71-4.

Lieferumfang

- AXIS D2050-VE Netzwerk-Radarmelder
- Montagehalterung
- Rohradapter (2 St.)
- Schrauben T30 (4 St.) für Masthalterung
- Schraubendreher Torx® TR20
- Montagewerkzeug für RJ-45
- Kabelschuh
- Sicherungsscheibe
- Kabeldichtung, grau (2 St.)
- Kabeldichtung, schwarz
- Kabelverschraubung
- Sechspoliger E/A-Anschlussblock zum Anschließen externer Geräte
- Gedrucktes Material
 - Installationsanleitung (dieses Dokument)
 - Zusätzliche Etiketten mit der Seriennummer (2 St.)
 - AVHS-Authentifizierungsschlüssel
 - Bohrschablone
 - Aufkleber Radarüberwachung

Produktübersicht



- 1 Relaisanschluss
- 2 Erdungsschraube
- 3 Netzwerkanschluss
- 4 Radarmodul
- 5 Einbruchalarmsschalter
- 6 Steuertaste
- 7 E/A-Anschluss
- 8 Einschub für microSD-Karte
- 9 LED Stromanzeige
- 10 LED Statusanzeige
- 11 LED Netzwerkanzeige

Der Installationsort des Produkts

Der Melder ist für das Überwachen offener Bereiche bestimmt. Festkörper (wie Büsche oder Bäume) im abgedeckten Bereich erzeugen hinter sich blinde Flecken (Radarschatten).

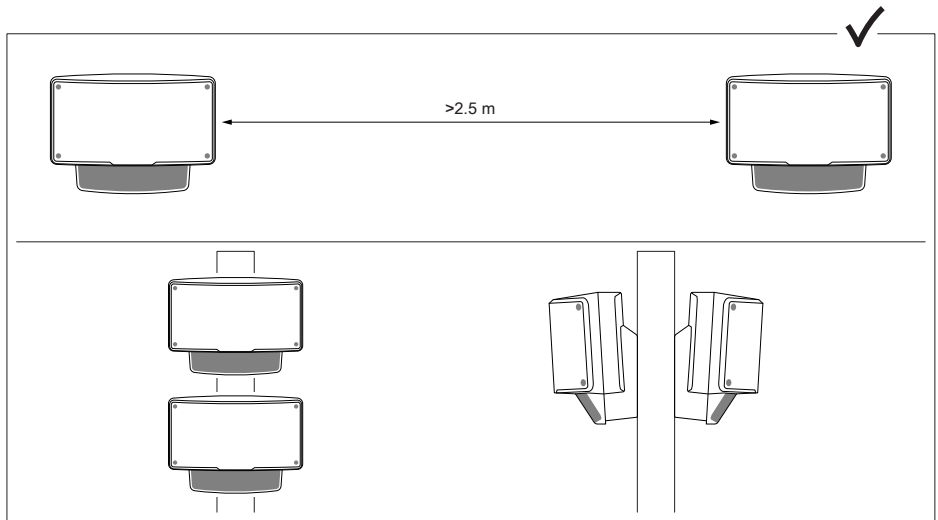
Den Detektor auf einem Mast oder an einer Stelle an einer Wand mit ausreichend Abstand zu Objekten oder Installationen installieren.

DE

Der Melder muss stabil montiert sein, um im überwachten Bereich Bewegungen erfassen zu können. Den Melder nicht auf instabilen, schwankenden Masten installieren.

Wenn zwei Radarmelder zu dicht nebeneinander installiert werden, können störende Interferenzen auftreten. Um Interferenzen zu vermeiden, verschiedene Kanäle für die Melder wählen. Zum Konfigurieren verschiedener Kanäle, siehe *Mehr als einen Melder installieren auf Seite 69*.

Um Interferenzen zwischen zwei nebeneinander montierten Radarmeldern zu vermeiden, einen Mindestabstand von 2,5 Metern einhalten. Bei zwei nebeneinander montierten Meldern, die jedoch in verschiedene Richtungen abstrahlen (wie zum Beispiel bei einer Mastmontage) treten nicht unbedingt Interferenzen auf, wenn der Mindestabstand von 2,5 Metern unterschritten wird. Bei Meldern, die übereinander montiert werden, treten unabhängig vom Abstand keine Interferenzen auf.



Die empfohlene Montagehöhe, die Naherfassungsgrenze, beträgt 4,5 m.

Viele Metallobjekte im Erfassungsfeld führen zu vielen leistungsmindernden Reflexionen.

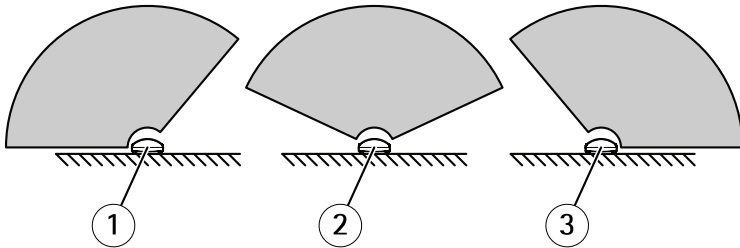
Beachten

Den Melder nicht umlackieren. Die Lackschicht kann die Leistung des Melders ernsthaft beeinträchtigen.

Montageausrichtung

Der Detektor deckt von seiner Mittelachse aus einen Winkel von $\pm 60^\circ$ ab. Bei der Wandmontage ergibt sich daraus auf jeder Seite des Detektors ein toter Winkel (von jeweils 30°).

Um die Wand in einer Richtung zu erfassen, kann das Radarmodul im Detektor verstellt werden.



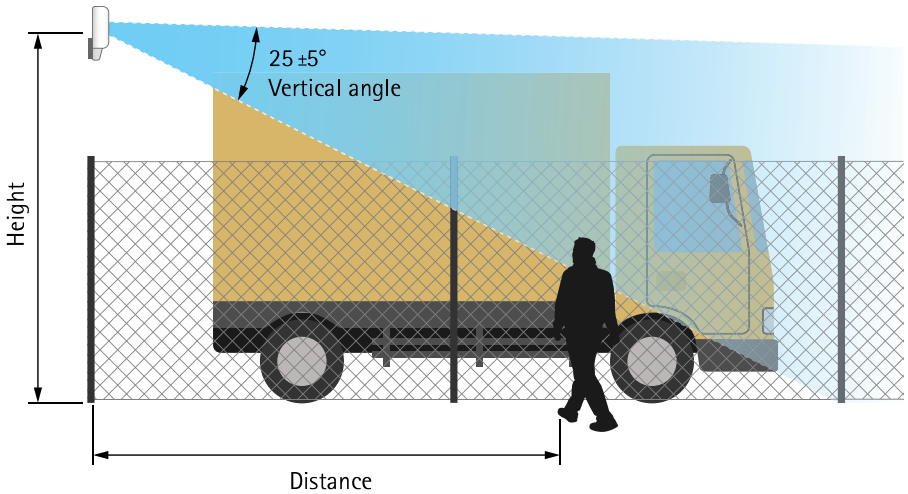
1. Montageausrichtung -25°
2. Montageausrichtung 0°
3. Montageausrichtung $+25^\circ$

Montagehöhe

Die besten Ergebnisse liefert der Melder in einer Montagehöhe von 3,5 m über dem Boden.

Beachten

Bei Montage in anderer Höhe, die tatsächliche Höhe vor dem Kalibrieren über die Weboberfläche des Produktes eingeben.



Die folgende Tabelle gibt den Erfassungsbereich für eine gehende Person mit einer Körpergröße von 1,80 m für verschiedene Montagehöhen an:

Montagehöhe	3,5 m	4 m	4,5 m	5 m
Naherfassungsgrenze	4,5 m	6 m	7 m	8,5 m
Fernerfassungsgrenze (Maximalwerte)	49 m	51 m	51 m	52 m

Montageneigung

Der Melder ist für eine Montage in 3,5 m Höhe über dem Boden ausgelegt. Wird der Melder in größerer Höhe montiert, wird die Naherfassungsgrenze beeinträchtigt.

Um die Naherfassungsgrenze zu verbessern, den Melder mithilfe von AXIS T91R61 Wall Mount nach unten neigen.

Die Table gibt den Erfassungsbereiche für eine die Mitte des Erfassungsbereichs betretende Person an.

AXIS D2050-VE Network Radar Detector

	Höhe: 3 m	Höhe: 4 m	Höhe: 5 m	Höhe: 6 m	Höhe: 7 m	Höhe: 8 m
Neigungswinkel: 0°	Noch zu klären	7,5 bis 44,5 m	9 bis 48,5 m	13,5 bis 47 m	17 bis 44 m	20,5 bis 43 m
Neigungswinkel: 10°	3,5 bis 36 m	5 bis 33,5 m	6,5 bis 40,5 m	8,5 bis 38 m	11 bis 46 m	13,5 bis 47,5 m
Neigungswinkel: 20°	Noch zu klären	Noch zu klären	5 bis 26 m	6,5 bis 28 m	Noch zu klären	8 bis 31 m

Installieren des Produkts

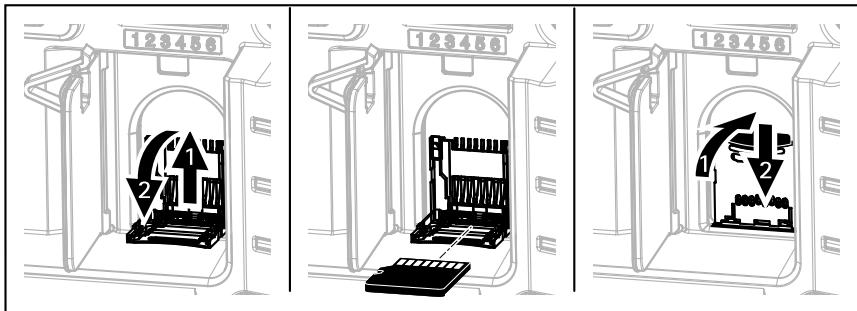
⚠️ WARNUNG

Stromschlaggefahr Das Produkt muss entweder über ein geschirmtes Netzkabel (STP) oder ein Erdungskabel geerdet werden. Sicherstellen, dass beide Enden des Erdungskabels Kontakt mit den entsprechenden Erdungsflächen haben.

⚠️ VORSICHT

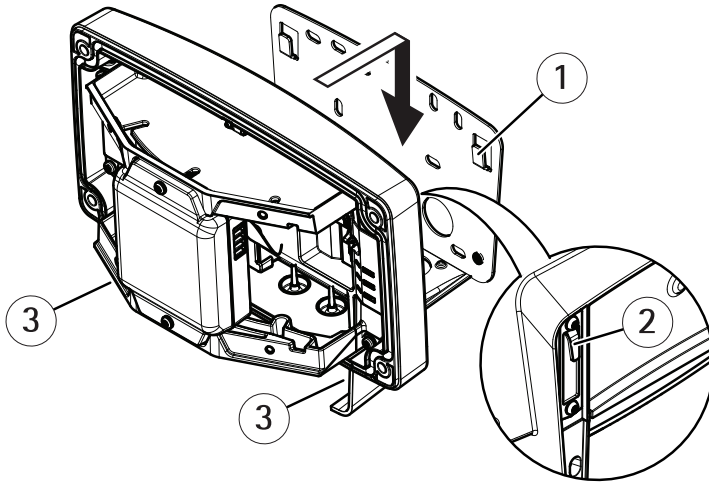
Sicherstellen, dass die Schrauben und Dübel für das Material (z. B. Holz, Metall, Gipskarton, Stein) geeignet sind und dass das Material stabil genug ist, das Gewicht des Detektors zu tragen.

1. Die Bohrlöcher mit der Bohrschablone markieren.
2. Die Montagehalterung an der Wand anbringen.
3. Das Netzkabel durch die Wandhalterung führen. Für den Detektoranschluss ca. 30 cm Kabel zugeben.
4. Beim Anschließen eines Zusatzgeräts, wie etwa einem E/A-Gerät, die oben aufgeführten Schritte auf das jeweilige Gerät bezogen durchführen.
5. Die Frontabdeckung vom Detektor entfernen.
6. Wenn eine microSD-Karte als lokaler Speicher verwendet wird, die Karte in den microSD-Karteneinschub des Detektors einsetzen.



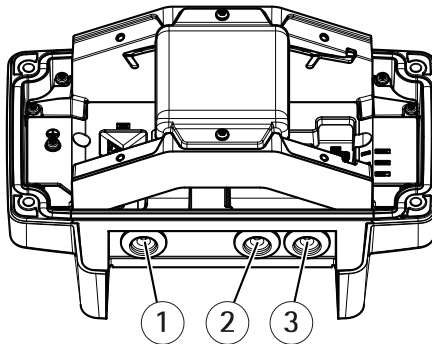
7. Den Detektor mit den Haken an der Montagehalterung anbringen und mit den Schrauben befestigen.

AXIS D2050-VE Network Radar Detector



- 1 Haken, Halterungsseite
- 2 Haken, Detektorseite
- 3 Schraube (2 St.)

8. Die rechte Kabeldichtung entfernen und die Lasche ziehen, um eine Öffnung für das Netzkabel zu schaffen.

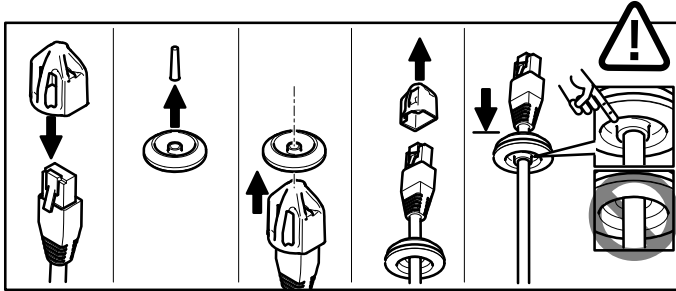


- 1 Masse / Relais
- 2 E/A
- 3 Netzwerk

HINWEIS

- Wenn mehr als ein Kabel verwendet wird, muss jedes Kabel durch eine separate Kabeldichtung geführt werden.

- Öffnen Sie bei den verwendeten Kabeldichtungen nur ein Loch. Wenn eine Kabeldichtung eingerissen ist, ersetzen Sie diese durch eine neue. Wenn eine Kabeldichtung geöffnet bleibt oder eine eingerissene Kabeldichtung verwendet wird, kann Wasser eindringen und das Produkt beschädigen.
9. Das Netzkabel durch die Kabeldichtung führen.



DE

HINWEIS

Wenn das Netzkabel über einen vormontierten Netzwerkstecker verfügt, die Kabeldichtung entfernen, und das Anschlussstück verwenden, um ein Reißen der Kabeldichtung zu verhindern. Verwenden Sie keine Netzkabel, die Netzwerkstecker mit Deckeln aufweisen, da diese auch bei Verwendung des Anschlussstücks zum Reißen der Kabeldichtung führen können.

10. Ziehen Sie das Netzkabel ein wenig zurück, bis die Kabeldichtung bündig um das Kabel sitzt.

HINWEIS

Wird das Kabel nicht zurückgezogen, kann Wasser eindringen und das Produkt beschädigen.

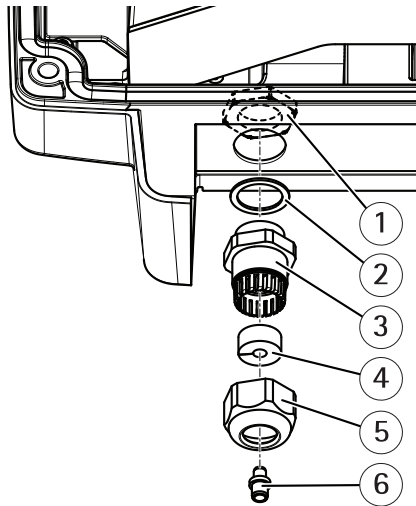
11. Die Kabeldichtung in Ausgangslage bringen.
12. Beim Anschließen eines Zusatzgeräts, wie etwa einem E/A-Gerät, die oben aufgeführten Schritte auf das jeweilige Gerät bezogen durchführen.

HINWEIS

Nachdem die Kabel durch die Kabeldichtung geführt wurden, die Anschlüsse anbringen.

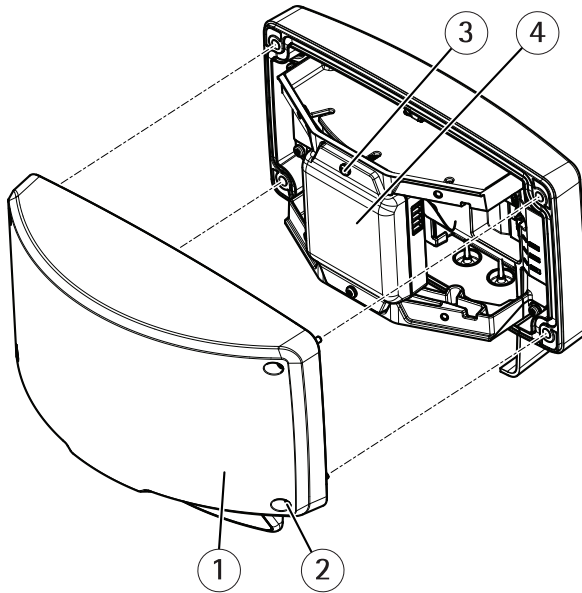
13. Eine Kabelverschraubung mit Zugentlastung wie oben gezeigt zusammenbauen. Die Mutter und Kappe der Kabelverschraubung handfest anziehen.

AXIS D2050-VE Network Radar Detector



- 1 Mutter
- 2 Dichtung
- 3 Gehäuse
- 4 Dichtung
- 5 Kappe
- 6 Stopfen (entsorgen)

- 14. Wenn ein Erdungskabel verwendet wird, dieses mit einer Kabelschuhzange am Kabelschuh befestigen. Den Kabelschuh an der Erdungsschraube anbringen. Sicherstellen, dass der Kabelschuh Kontakt zur Erdungsfläche hat.
- 15. Die externen Geräte an den Detektor anschließen.
- 16. Das Netzkabel anschließen.
- 17. Sicherstellen, dass die LEDs die Betriebszustände entsprechend anzeigen. Siehe *LEDs auf Seite 72*.
- 18. Die Radareinheit nach Bedarf an einer Montagerichtung ausrichten. Siehe dazu *Der Installationsort des Produkts auf Seite 59*.



- 1 Frontabdeckung
- 2 Schraube (4 St.)
- 3 Schraube (2 St.)
- 4 Radareinheit

19. Die Frontabdeckung anbringen und die Schrauben anziehen.

Das Gerät im Netzwerk ermitteln

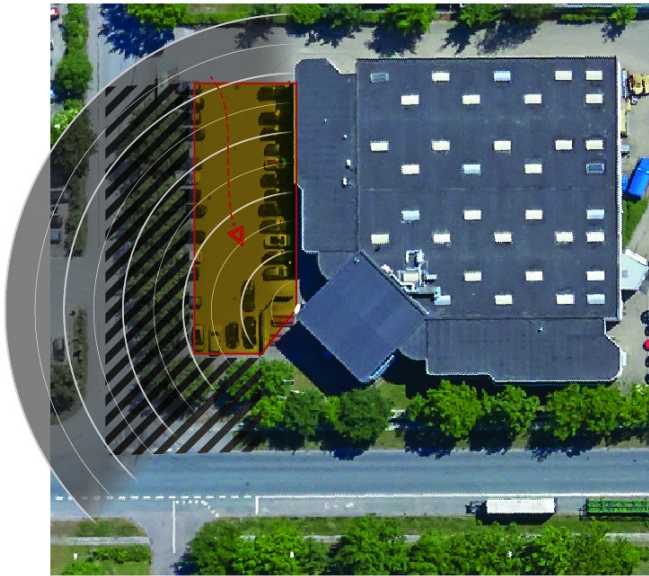
Mit AXIS IP Utility und AXIS Device Manager die Axis Geräte im Netzwerk ermitteln und ihnen unter Windows® IP-Adressen zuweisen. Beide Anwendungen sind kostenlos und können von axis.com/support heruntergeladen werden.

Weitere Informationen zum Zuweisen von IP-Adressen bietet das Dokument *Zuweisen von IP-Adressen und Zugreifen auf das Gerät*.

Den Detektor konfigurieren

Der Detektor ist nach abgeschlossener Installation einsatzbereit. In der Standard-Live-Ansicht werden der vom Radar abgedeckte Bereich und erfasste Bewegungen dargestellt. Erfassungszonen und Regeln können sofort hinzugefügt werden.

Um die Bewegungsrichtung der Objekte leichter einordnen zu können, kann eine Referenzkarte hochgeladen werden. Dies kann zum Beispiel eine Planzeichnung oder ein Luftbild sein, das die vom Radar abgedeckte Fläche darstellt.



Bildvorgaben:

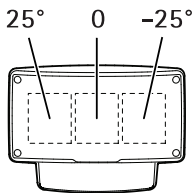
- Die unterstützten Dateiformate sind .jpg und .png.
- Ein Bild mit dem selben Seitenverhältnis (16:9) oder der selben Auflösung (1920 x 1080) wie die Live-Ansicht wählen. Falls das Bild kleiner ist, wird es passend in das Fenster skaliert. Bei abweichenden Proportionen füllt das Bild den Videostream nicht vollständig aus.
- Das Bild vor dem Hochladen so genau wie möglich auf den Abdeckungsbereich des Radars zuschneiden.
- Die Ausrichtung ist nicht von Bedeutung, da die Form der Radarabdeckung während der Kalibrierung an das Bild angepasst wird.

Nach dem Hochladen muss die Referenzkarte möglicherweise kalibriert werden, damit die Position, die Ausrichtung und der Maßstab mit der tatsächlich vom Radar abgedeckten Fläche übereinstimmen.

Es gibt zwei Methoden, um die Referenzkarte zu kalibrieren:

- **Kalibrierung mit Stecknadeln:** Diese Kalibrierungsmethode erfolgt über die Weboberfläche. Auf der Referenzkarte werden an bekannten Orten Stecknadeln angebracht und die Entfernungen zwischen ihnen eingestellt.

Bei der Kalibrierung mit Pins muss die Montageausrichtung des Radarmoduls im Melder ausgewählt werden.



- **Kalibrierung mit Spuren:** Bei dieser Kalibrierungsmethode muss sich eine Person vor dem Radar bewegen. Dies kann eine Einzelperson mit Mobilgerät und Zugriff auf die Weboberfläche sein, oder eine zweite Person, die entsprechende Anweisungen befolgt. Bei den jeweiligen Einrichtungsschritten Orte aufsuchen, die auf der Referenzkarte leicht zu identifizieren sind.

Den Detektor konfigurieren

1. Um eine Referenzkarte hochzuladen, **Settings > Radar > Reference map (Einstellungen > Radar > Referenzkarte)** aufrufen. **Datei wählen** aufrufen und für die entsprechende Bilddatei die Option **Hochladen** wählen, um sie in der Live-Ansicht zu platzieren.
2. Um eine Referenzkarte zu kalibrieren, **Settings > Radar > Reference map calibration (Einstellungen > Radar > Kalibrierung Referenzkarte)** aufrufen. **Start calibration (Kalibrierung starten)** wählen und die Anweisungen befolgen.

Mehr als einen Melder installieren

Wenn Radarmelder zu dicht aneinander installiert werden, kommt es zu störenden Interferenzen. Um Probleme zu vermeiden, für die Melder verschiedene Arbeitskanäle wählen.

1. **Settings > Radar > General (Allgemeine Einstellungen)** und **Kanal** aufrufen.

Zurücksetzen auf die Werkseinstellungen

Wichtig

Das Zurücksetzen auf die Werkseinstellungen sollte mit Vorsicht erfolgen. Beim Zurücksetzen auf die Werkseinstellungen werden alle Einstellungen einschließlich der IP-Adresse zurückgesetzt.

So wird das Produkt auf die werksseitigen Standardeinstellungen zurückgesetzt:

1. Trennen Sie das Produkt von der Stromversorgung.
2. Halten Sie die Steuertaste gedrückt und stellen Sie die Stromversorgung wieder her. Siehe *Produktübersicht auf Seite 58*.
3. Halten Sie die Steuertaste etwa 15 bis 30 Sekunden gedrückt, bis die Status-LED gelb blinkt.
4. Lassen Sie die Steuertaste los. Der Vorgang ist abgeschlossen, wenn die Status-LED grün leuchtet. Das Produkt wurde auf die Werkseinstellungen zurückgesetzt. Wenn im Netzwerk kein DHCP-Server verfügbar ist, lautet die Standard-IP-Adresse 192.168.0.90.
5. Verwenden Sie die Software-Tools für Installation und Verwaltung, um eine IP-Adresse zuzuweisen, ein Kennwort einzurichten und auf den Videostream zuzugreifen.
Die Softwaretools für die Installation und Verwaltung stehen auf den Supportseiten unter axis.com/support zur Verfügung.

Die Parameter können auch über die Weboberfläche auf die Werkseinstellungen zurückgesetzt werden. Den folgenden Optionspfad aufrufen: **Settings > System > Maintenance (Einstellungen > System > Wartung)** und dann die Option **Default (Standardeinstellung)** anklicken.

Weitere Informationen

- Die aktuelle Version dieses Dokuments finden Sie auf axis.com
- Das Benutzerhandbuch steht auf axis.com zur Verfügung.
- Unter axis.com/support finden Sie die aktuellen Firmwareversionen für Ihr Gerät.
- Nützliches Onlinetraining und Webinare finden Sie unter axis.com/academy.

Optionales Zubehör

Eine vollständige Liste lieferbaren Zubehörs für dieses Produkt finden Sie auf axis.com unter Produkt, Software und Zubehör.

- AXIS T91R61 Wall Mount
- AXIS T91A47 Pole Mount
- AXIS T94R01B Eckhalterung

Technische Daten

LEDs

LED-Statusanzeige	Bedeutung
Grün	Leuchtet bei Normalbetrieb grün.
Gelb	Leuchtet beim Start. Blinkt beim Wiederherstellen der Einstellungen.

Netzwerk LED	Bedeutung
Grün	Leuchtet konstant bei Verbindung mit einem 10 MBit/s-Netzwerk. Blinkt bei Netzwerkaktivität.
Gelb	Leuchtet konstant bei Verbindung mit einem 10 MBit/s-Netzwerk. Blinkt bei Netzwerkaktivität.
Leuchtet nicht	Keine Netzwerkverbindung vorhanden.

Netz-LED	Bedeutung
Grün	Normalbetrieb.
Gelb	Blinkt während einer Firmware-Aktualisierung grün/orange.

Einschub für SD-Speicherkarte

Für Empfehlungen zu SD-Karten siehe axis.com.

Tasten

Steuertaste

Zur Lage der Steuertaste, siehe *Produktübersicht auf Seite 58*.

Die Steuertaste hat folgende Funktionen:

- Zurücksetzen des Produkts auf die Werkseinstellungen. Siehe *Seite 70*.

Anschlüsse

Netzwerkanschluss

RJ45-Ethernetanschluss mit Power over Ethernet Plus (PoE+).

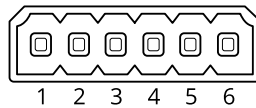
E/A-Anschluss

Über den E/A-Anschluss werden externe Geräte in Verbindung mit Ereignisauslösung, Alarmbenachrichtigungen und anderen Funktionen angeschlossen. Außer dem Bezugspunkt 0 V Gleichstrom und Strom (Gleichstromausgang) besitzt der E/A-Anschluss eine Schnittstelle zum:

Digitaleingang – Zum Anschluss von Geräten, die zwischen geöffnetem und geschlossenem Schaltkreis wechseln können wie etwa PIR-Sensoren, Tür- und Fensterkontakte sowie Glasbruchmelder.

Digitalausgang – Zum Anschluss externer Geräte wie Relais und LEDs. Die angeschlossenen Geräte können über das VAPIX® Application Programming Interface, über ein Ereignis oder über die Produktwebseite aktiviert werden.

6-poliger Anschlussblock

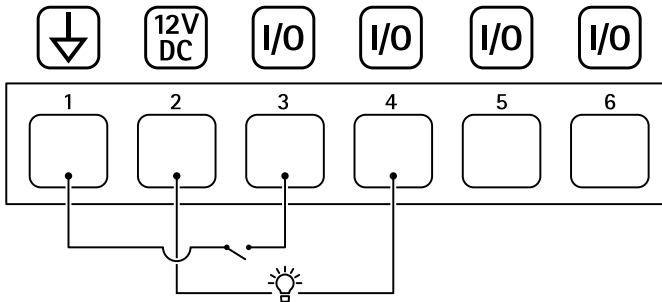


Funktion	Kontakt	Hinweise	Technische Angaben
Erdung Gleichstrom	1		0 V Gleichstrom
Gleichstromausgang	2	Darf für die Stromversorgung von Zusatzgeräten verwendet werden. Hinweis: Dieser Kontakt darf nur für den Stromausgang verwendet werden.	12 V DC Max. Stromstärke = 50 mA

AXIS D2050-VE Network Radar Detector

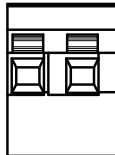
Konfigurierbar (Ein- oder Ausgang)	3-6	Digitaleingang – Zum Aktivieren an Kontakt 1 anschließen, zum Deaktivieren nicht anschließen.	0 bis max. 30 V Gleichstrom
		Digitaler Ausgang – Interne Verbindung mit Kontakt 1 (Gleichstrom Erdschluss), wenn aktiviert; unverbunden, wenn deaktiviert. Bei Verwendung mit einer induktiven Last, wie etwa einem Relais, muss zum Schutz vor Spannungssprüngen eine Diode parallel zur Last geschaltet werden.	0 bis max. 30 V Gleichstrom, Open-Drain, 100 mA

Beispiel



- 1 Erdung Gleichstrom
- 2 Gleichstromausgang 12 V, max. 50 mA
- 3 E/A als Eingang konfiguriert
- 4 E/A als Ausgang konfiguriert
- 5 Konfigurierbarer E/A
- 6 Konfigurierbarer E/A

Relaisanschluss



⚠ VORSICHT

Für den Relaisanschluss einadrige Kabel verwenden.

AXIS D2050-VE Network Radar Detector

DE

Funktion	Technische Daten
Typ	Schließer-Kontakt
Nennspannung	24 V Gleichstrom
Maximalstrom	5 A
Isolation von anderen Stromkreisen	2,5 kV
Elektrische Lebensdauer	24 V Gleichstrom, 25000 Vorgänge bei +70 °C

Betriebsbedingungen

Produkt	Klassifizierung	Temperatur	Luftfeuchtigkeit
AXIS D2050-VE	IEC 60529 IP66 NEMA 250 Typ 4X	-40 °C bis +60 °C	Relative Luftfeuchtigkeit 10 bis 100 % (kondensierend)

Leistungsaufnahme

HINWEIS

Eine den Anforderungen für Schutzkleinspannung (SELV) kompatible Stromquelle mit begrenzter Leistung (LPS) verwenden. Die Nennausgangsleistung muss dabei auf ≤ 100 W begrenzt sein oder der Nennausgangsstrom auf ≤ 5 A.

Produkt	Power over Ethernet	Stromversorgung
AXIS D2050-VE	IEEE 802.3at, Typ 2 Klasse 4	Typisch 9 W Max. 15 W

Sicherheitsinformationen

Gefährdungsstufen

▲GEFAHR

Weist auf eine gefährliche Situation hin, welche, falls nicht verhindert, zu Tod oder schweren Verletzungen führen kann.

▲WARNUNG

Weist auf eine gefährliche Situation hin, welche, falls nicht verhindert, zu Tod oder schweren Verletzungen führen kann.

▲VORSICHT

Weist auf eine gefährliche Situation hin, welche, falls nicht verhindert, zu geringfügiger oder mäßiger Verletzung führen kann.

HINWEIS

Weist auf eine gefährliche Situation hin, welche, falls nicht verhindert, zu Sachschäden führen kann.

Andere Meldeebenen

Wichtig

Weist auf wichtige Informationen hin, die den richtigen Betrieb des Produkts gewährleisten.

Beachten

Weist auf nützliche Informationen hin, die die optimale Verwendung des Produkts unterstützen.

AXIS D2050-VE Network Radar Detector

Sicherheitsanweisungen

⚠GEFAHR

Stromschlaggefahr. Vor der Installation oder Wartung des Produkts muss sichergestellt werden, dass an keinem der Kabel Spannung anliegt.

⚠WARNUNG

Das Axis Produkt muss von fachmännisch geschultem Personal und unter Einhaltung der örtlich geltenden Bestimmungen installiert werden.

⚠VORSICHT

Achten Sie auf scharfe Metallkanten. Tragen Sie während der Installation Schnittschutzhandschuhe.

HINWEIS

- Das Axis Produkt muss unter Beachtung der geltenden Gesetze und Bestimmungen betrieben werden.
- Axis empfiehlt, ein abgeschirmtes Netzwerk-Kabel (STP) zu verwenden.
- Axis empfiehlt, ein abgeschirmtes Netzwerk-Kabel der Kategorie CAT5e oder höher zu verwenden.
- Lagern Sie das Axis Produkt in einer trockenen und belüfteten Umgebung.
- Das Axis Produkt weder Stößen noch starkem Druck aussetzen.
- Das Axis Produkt keinen Schwingungen aussetzen.
- Das Produkt nicht an instabilen Masten, Halterungen, Oberflächen oder Wänden anbringen.
- Installieren Sie das Produkt nicht an vibrierenden Masten, Halterungen, Oberflächen oder Wänden.
- Verwenden Sie bei der Installation des Axis Produkts ausschließlich passende Werkzeuge. Ein zu großer Kraftaufwand mit elektrischen Werkzeugen kann das Produkt beschädigen.
- Verwenden Sie keine chemischen, ätzenden oder aerosolhaltigen Reinigungsmittel.
- Verwenden Sie zum Reinigen ein sauberes, mit destilliertem Wasser angefeuchtetes Tuch.
- Verwenden Sie nur Zubehör, das den technischen Vorgaben Ihres Produkts entspricht. Dieses ist von Axis oder Drittanbietern erhältlich. Axis empfiehlt die mit Ihrem Produkt kompatible Stromversorgung von Axis.
- Verwenden Sie ausschließlich Ersatzteile die von Axis angeboten oder empfohlen werden.
- Versuchen Sie nicht, dieses Produkt selbsttätig zu reparieren. Wenden Sie sich bezüglich Reparatur und Wartung an den Axis Support oder Ihren Axis Händler.

Transport

HINWEIS

- Bei Bedarf transportieren Sie das Axis Produkt in der Originalverpackung oder einer entsprechenden Verpackung, so dass Schäden vermieden werden.

Batterie

▲VORSICHT

Tauschen Sie die Batterie nicht selbst aus. Wenden Sie sich an den Axis Support, wenn die Protokollnachricht einen Batterietausch anfordert.

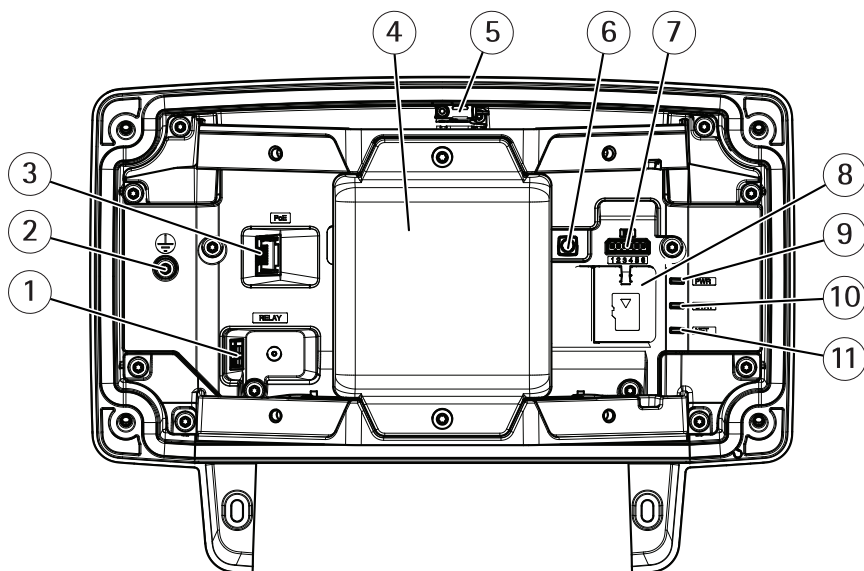
Lithium-Knopfzellen (3,0 V) enthalten 1,2-Dimethoxyethan; Ethylenglycoldimethylether (EGDME), CAS-Nr. 110-71-4.

DE

Contenuto della confezione

- AXIS D2050-VE Network Radar Detector
- Staffa di montaggio
- Adattatore per tubi (2x)
- Vite T30 (4x) per l'uso con il montaggio su palo.
- Cacciavite Torx TR20
- Strumento di montaggio per RJ45
- Capocorda
- Rondella d'arresto
- Guarnizione cavo, grigia (2x)
- Guarnizione cavo, nera
- Pressacavo
- Morsettiera I/O a 6 pin per collegare dispositivi esterni
- Documentazione
 - Guida all'installazione (il presente documento)
 - Etichetta aggiuntiva con numero di serie (2x)
 - Chiave di autenticazione AVHS
 - Sagoma per la foratura
 - Adesivo per la sorveglianza radar

Panoramica del dispositivo



- 1 Connettore relè
- 2 Vite di messa a terra
- 3 Connettore di rete
- 4 Modulo radar
- 5 Interruttore allarme anti intrusione
- 6 Pulsante di comando
- 7 Connettore I/O
- 8 Slot per scheda di memoria microSD
- 9 LED di alimentazione
- 10 LED di stato
- 11 LED di rete

Dove installare il dispositivo

Il rilevatore è destinato a controllare aree aperte. Gli oggetti solidi (ad esempio un albero o un cespuglio) in quest'area di copertura creeranno un limite di utilizzo (ombra radar) nella parte posteriore.

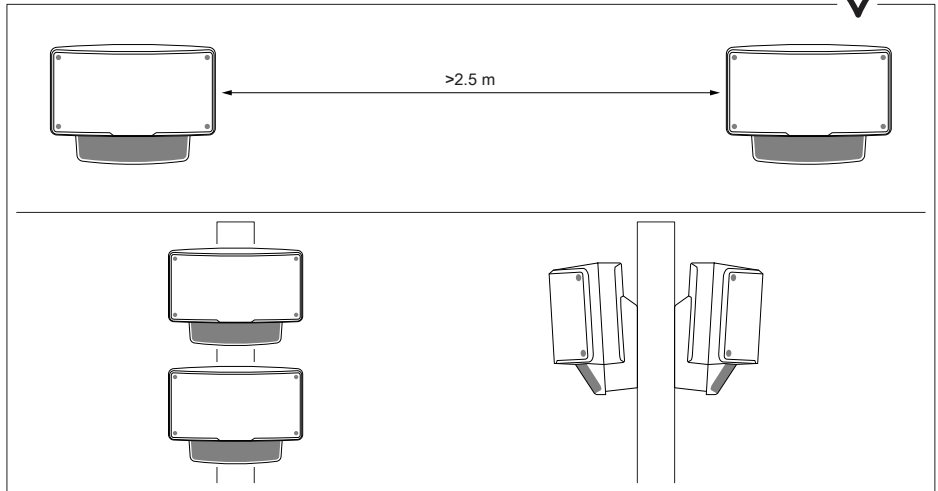
Installare il rilevatore su un palo o in un punto di un muro in cui non ci sono altri oggetti o installazioni vicine.

Per identificare correttamente il movimento nell'area di copertura, il rilevatore deve essere installato su un supporto stabile. Non installare il rilevatore su un palo traballante.

IT

Se due rilevatori del radar sono montati vicini, potrebbero creare interferenze tra di loro. Per evitare le interferenze è possibile selezionare canali diversi per i rilevatori. Per configurare canali diversi, vedere *Modalità di installazione dei rilevatori multipli alla pagina 93*.

Per evitare le interferenze tra i rilevatori radar montati uno accanto all'altro, la distanza tra le unità deve essere di almeno 2,5 metri. Se due rilevatori sono affiancati ma angolari l'uno rispetto all'altro, ad esempio se montati su un palo, non possono interferire anche se si trovano ad una distanza inferiore a 2,5 m l'uno dall'altro. I rilevatori montati uno sopra l'altro non causano interferenze, indipendentemente dalla distanza.



All'altezza di montaggio consigliata, il limite di rilevamento vicino è 4,5 m.

Se ci sono molti oggetti metallici nel campo visivo, ci saranno molti riflessi che interesseranno le prestazioni.

AXIS D2050-VE Network Radar Detector

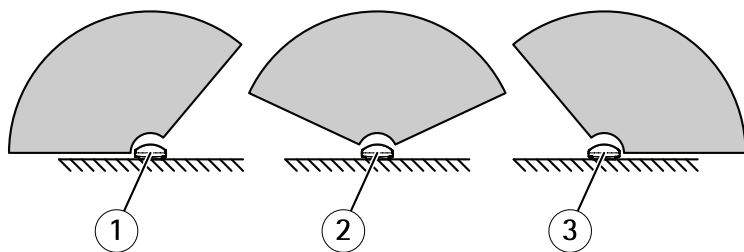
Nota

Non ridipingere il rilevatore. La pittura potrebbe seriamente compromettere le prestazioni del rilevatore.

Direzione di montaggio

Il rilevatore copre un angolo di $\pm 60^\circ$ dal suo asse centrale. Ciò significa che se lo si monta su una parete, c'è un limite di utilizzo per ogni lato del rilevatore.

Per coprire la parete è possibile spostare il modulo del radar nel rilevatore.



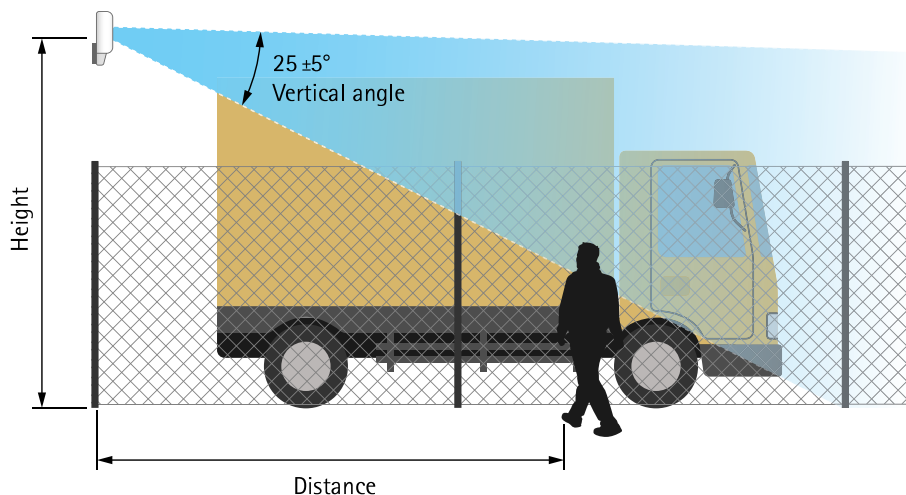
- 1 Direzione di montaggio -25°
- 2 Direzione di montaggio 0°
- 3 Direzione di montaggio 25°

Altezza di montaggio

Per prestazioni ottimali, installare il rilevatore a 3,5 m dal suolo.

Nota

Se si installare il rilevatore a un'altezza diversa, inserire l'altezza di montaggio effettiva nelle pagine Web del prodotto prima di calibrare il radar.



IT

Nella seguente tabella viene illustrato l'intervallo di rilevamento a diverse altezze di montaggio quando si rileva una persona che cammina alta 1,8 m.

Altezza di montaggio	3,5 m	4 m	4,5 m	5 m
Limite di rilevamento vicino	4,5 m	6 m	7 m	8,5 m
Limite di rilevamento lontano (valori max.)	49 m	51 m	51 m	52 m

Inclinazione di montaggio

Il rilevatore è progettato per il montaggio a 3,5 m dal suolo. Quando il rilevatore è montato più in alto il limite di rilevamento più vicino viene compromesso.

Per ottimizzare il limite di rilevamento più vicino, inclinare il rilevatore verso il basso con AXIS T91R61 Wall Mount.

La tabella mostra la distanza di rilevamento di un essere umano che si trova al centro della zona di rilevamento.

AXIS D2050-VE Network Radar Detector

	Altezza: 3 m	Altezza: 4 m	Altezza: 5 m	Altezza: 6 m	Altezza: 7 m	Altezza: 8 m
Inclinazione: 0°	TBD	7,5-44,5 m	9-48,5 m	13,5-47 m	17-44 m	20,5-43 m
Inclinazione: 10°	3,5-36 m	5-33,5 m	6,5-40,5 m	8,5-38 m	11-46 m	13,5-47,5 m
Inclinazione: 20°	TBD	TBD	5-26 m	6,5-28 m	TBD	8-31 m

Come installare il dispositivo

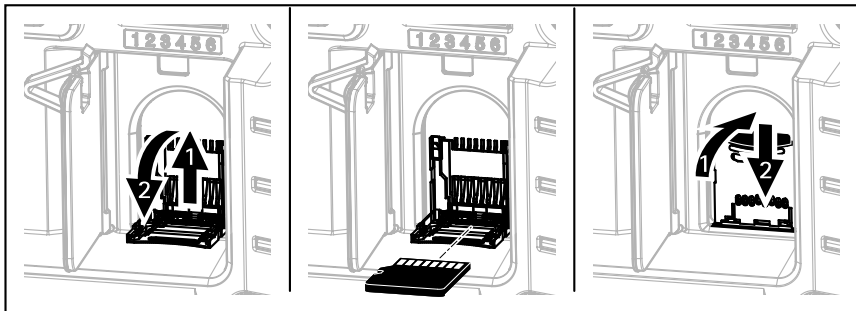
⚠AVVERTENZA

Rischio di scosse elettriche. Il dispositivo deve essere collegato a terra tramite un cavo di rete schermato (STP) o utilizzando un cavo di messa a terra. Se si utilizza un cavo di messa a terra, assicurarsi che entrambe le estremità del cavo di messa a terra siano in contatto con le rispettive superfici di messa a terra.

⚠ATTENZIONE

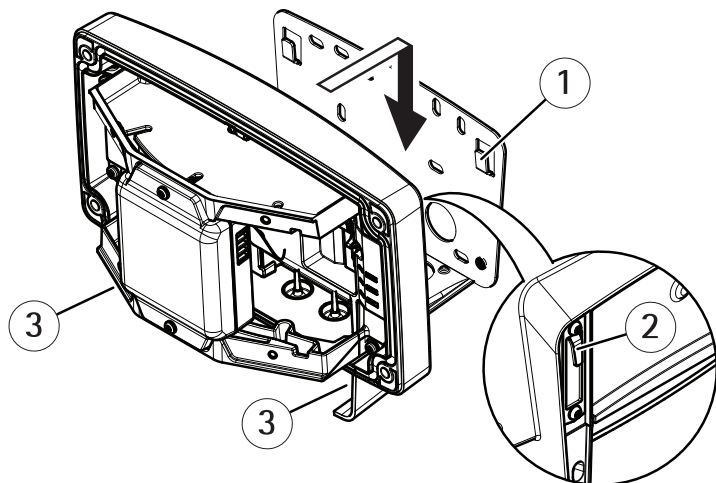
Verificare che le viti e i tasselli siano adatti al materiale della parete (es. legno, metallo, cartongesso, pietra) e che il materiale sia in grado di sostenere il peso del rilevatore.

1. Utilizzare la maschera di foratura per praticare i fori prima di trapanare.
2. Fissare la staffa di montaggio alla parete.
3. Far passare il cavo di rete attraverso la staffa di montaggio. Lasciare circa 30 cm (12 pollici) di cavo per il collegamento al rilevamento.
4. In caso di connessione di un di dispositivo ausiliario, ad esempio un dispositivo I/O, ripetere il passaggio precedente (se consentito per il dispositivo in questione).
5. Rimuovere la copertura anteriore dal rilevatore.
6. Se si utilizza una scheda microSD per l'archiviazione locale, inserirla nell'apposito slot del rilevatore.



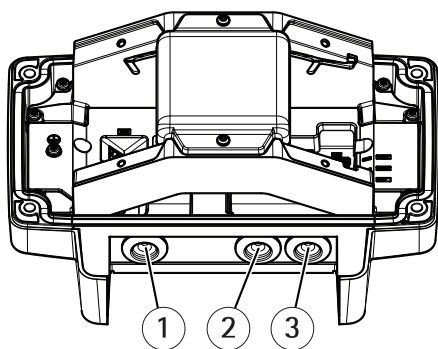
7. Fissare la staffa di montaggio al rilevatore con i ganci e stringere le viti.

AXIS D2050-VE Network Radar Detector



- 1 Gancio, lato staffa
- 2 Gancio, lato rilevatore
- 3 Vite (2x)

8. Rimuovere il cavo destro e tirare la linguetta per aprire il foro per il cavo di rete.

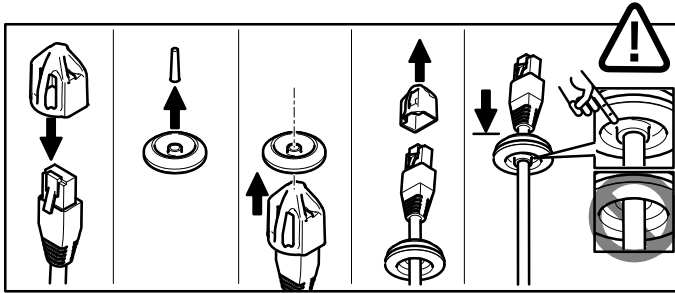


- 1 Terra/Relè
- 2 I/O
- 3 Rete

AWISO

- Se viene utilizzato più di un cavo, instradare ciascun cavo attraverso una guarnizione separata.

- Aprire un foro solo nelle guarnizioni utilizzate e sostituirle in caso di danno. Una guarnizione per cavi aperta o danneggiata potrebbe causare infiltrazioni d'acqua nel dispositivo e danneggiarlo.
9. Inserire il cavo di rete attraverso la guarnizione per cavi.



IT

AVVISO

Se il cavo di rete dispone di un connettore preinstallato, rimuovere la guarnizione per cavi e usare la protezione del connettore per evitare danni alla guarnizione. Non usare cavi di rete dotati di connettori di rete con tappi, poiché potrebbero danneggiare la guarnizione del cavo nonostante la protezione del connettore.

10. Tirare delicatamente il cavo di rete in modo da adattare la guarnizione al cavo.

AVVISO

Se il cavo non viene tirato potrebbero verificarsi infiltrazioni d'acqua e danni al prodotto.

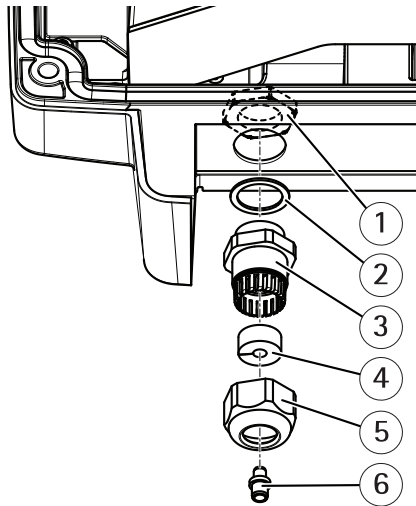
11. Reinserrire la guarnizione per cavi.
12. In caso di connessione di un dispositivo ausiliario, ad esempio un dispositivo I/O, ripetere il passaggio precedente (se consentito per il dispositivo in questione).

AVVISO

Montare i connettori dopo aver spinto i cavi attraverso la guarnizione del cavo.

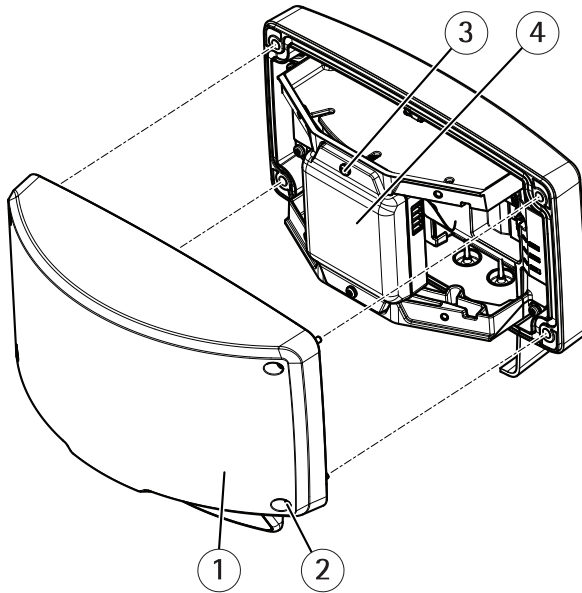
13. Per utilizzare un pressocavo con un dispositivo antistrappo, assemblarlo come illustrato di seguito. Serrare saldamente il cappuccio e il dado a mano.

AXIS D2050-VE Network Radar Detector



- 1 Dado
- 2 Guarnizione
- 3 Corpo
- 4 Tenuta
- 5 Cappuccio
- 6 Tassello (da scartare)

- 14. Se si utilizza un cavo di messa a terra, fissarlo al capocorda utilizzando le pinze del capocorda. Collegare il capocorda alla vite di terra. Assicurarsi che il capocorda sia in contatto con la superficie di messa a terra.
- 15. Collegare i dispositivi esterni al rilevatore.
- 16. Collegare il cavo di rete.
- 17. Verificare che i LED indichino la corretta condizione. Consultare *Indicatori LED alla pagina 96*.
- 18. Se richiesto, spostare l'unità radar in una delle altre direzioni di montaggio, consultare *Dove installare il dispositivo alla pagina 83*.



- 1 Coperchio anteriore
- 2 Vite (4x)
- 3 Vite (2x)
- 4 Unità radar

19. Fissare la copertura anteriore e serrare le viti.

Individuazione del dispositivo sulla rete

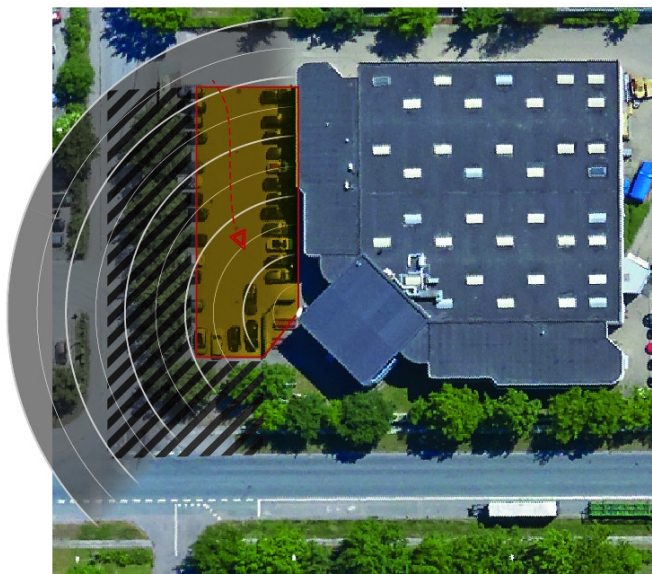
Per trovare i dispositivi Axis sulla rete e assegnare loro un indirizzo IP in Windows®, utilizzare AXIS IP Utility o AXIS Device Manager. Queste applicazioni sono entrambe gratuite e possono essere scaricate dal sito Web axis.com/support.

Per ulteriori informazioni su come trovare e assegnare indirizzi IP, consultare il documento *Come assegnare un indirizzo IP e accedere al dispositivo*.

Configurazione del rilevatore

Il rilevatore è pronto ad essere utilizzato appena installato. La visualizzazione in diretta predefinita mostrerà la copertura radar con tutti i movimenti rilevati e sarà possibile aggiungere subito aree di rilevamento e regole.

Per semplificare la visione degli oggetti in movimento, è possibile caricare una mappa di riferimento, ad esempio una pianta o una foto aerea, che mostra l'area coperta dal rilevatore radar.



Requisiti dell'immagine:

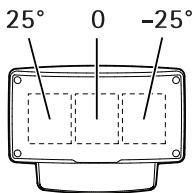
- I formati dei file supportati sono jpeg e png.
- Utilizzare un'immagine con le stesse proporzioni (16:9) o la risoluzione (1920x1080) della visualizzazione in diretta. Se l'immagine è più piccola verrà ridimensionata per adattarsi alla finestra. Se le proporzioni non sono corrette, l'immagine non riempirà l'intero flusso video.
- Tagliare l'immagine in modo che si adatti il più possibile alla copertura del radar prima di caricarla.
- L'orientamento non è importante poiché l'area di copertura del radar verrà spostata per adattarsi all'immagine durante la calibrazione.

Dopo aver caricato la mappa di riferimento è necessario calibrare il radar in modo che la copertura del radar effettiva sia adatta alla posizione, alla direzione e alla portata della mappa di riferimento.

Sono disponibili due metodi per calibrare la mappa di riferimento:

- **Calibrazione mediante pin:** La calibrazione viene eseguita nell'interfaccia web aggiungendo dei pin in posizioni note nella mappa di riferimento e impostando la distanza tra questi ultimi.

Quando si esegue la calibrazione con i pin, è necessario selezionare la posizione di montaggio del modulo del radar nel rilevatore.



- **Calibrazione mediante traccia:** Per questo metodo di calibrazione è necessario che una persona si sposti davanti al radar.

In questo modo o la si effettua da soli mentre si accede all'interfaccia web da un dispositivo mobile o si lascia che qualcun altro esegua gli spostamenti seguendo le istruzioni.

Durante gli spostamenti in fasi diverse, spostarsi in luoghi facili da trovare nella mappa di riferimento.

Come configurare il rilevatore

1. Per caricare una mappa di riferimento, andare a **Settings > Radar > Reference map** (**Impostazioni > Radar > Mappa di riferimento**). Seleziona **Sfoglia** per trovare un file di immagine e selezionare **Carica** per posizionare l'immagine nella visualizzazione in diretta.
2. Per calibrare una mappa di riferimento, andare a **Settings > Radar > Reference map calibration** (**Impostazioni > Radar > Calibrazione mappa di riferimento**). Selezionare **Start calibration** (**Avvia calibrazione**) e attenersi alle istruzioni.

Modalità di installazione dei rilevatori multipli

Se due rilevatori del radar sono montati vicini questi potrebbero creare interferenze tra di loro. Per evitare problemi, selezionare diversi canali per i rilevatori.

1. Andare a **Settings > Radar > General** (**Impostazioni > Radar > Generale**) e selezionare **Channel** (**Canale**).

Ripristino delle impostazioni predefinite di fabbrica

Importante

Il ripristino dei valori predefiniti di fabbrica deve essere effettuato con cautela. Tale operazione consentirà di ripristinare i valori predefiniti di fabbrica per tutte le impostazioni, incluso l'indirizzo IP.

Per ripristinare il dispositivo ai valori predefiniti di fabbrica:

1. Scollegare l'alimentazione dal dispositivo.
2. Tenere premuto il pulsante di comando quando si ricollega l'alimentazione. Vedere *Panoramica del dispositivo alla pagina 82*.
3. Tenere premuto il pulsante di comando per 15-30 secondi finché l'indicatore LED di stato non lampeggia in giallo.
4. Rilasciare il pulsante di comando. Il processo è completo quando l'indicatore del LED di stato diventerà verde. Il dispositivo è stato reimpostato alle impostazioni di fabbrica predefinite. Se nessun server DHCP è disponibile sulla rete, l'indirizzo IP predefinito è 192.168.0.90.
5. Utilizzare gli strumenti per l'installazione e la gestione del software per assegnare un indirizzo IP, impostare la password e accedere al flusso video.

Gli strumenti per l'installazione e la gestione del software sono disponibili nelle pagine dedicate all'assistenza sul sito Web axis.com/support.

È anche possibile reimpostare i valori predefiniti di fabbrica dei parametri mediante l'interfaccia Web. Andare in **Settings > System > Maintenance (Impostazioni > Sistema > Manutenzione)** e fare clic su **Default (Predefinito)**.

Ulteriori Informazioni

- Per la versione più recente di questo documento, visitare il sito all'indirizzo axis.com
- Il manuale per l'utente è disponibile all'indirizzo axis.com
- Per verificare se sono stati pubblicati aggiornamenti del firmware per il proprio dispositivo, vedere axis.com/support
- Per servizi di formazione utili e webinar, visita il sito axis.com/academy

Accessori opzionali

IT

Per un elenco completo degli accessori disponibili per questo dispositivo, andare alla pagina del dispositivo al sito axis.com e selezionare Software e accessori.

- AXIS T91R61 Wall Mount
- AXIS T91A47 Pole Mount
- AXIS T94R01B Corner Bracket

AXIS D2050-VE Network Radar Detector

Specifiche

Indicatori LED

LED di stato	Indicazione
Verde	Luce verde fissa: condizioni di normale utilizzo.
Giallo	Luce fissa durante l'avvio. Lampeggia durante il ripristino delle impostazioni.

LED di rete	Indicazione
Verde	Luce fissa per connessione di rete a 100 Mbit/s. Luce lampeggiante: attività di rete.
Giallo	Luce fissa per connessione di rete a 10 Mbit/s. Luce lampeggiante: attività di rete.
Spento	Assenza di connessione.

LED di alimentazione	Indicazione
Verde	Funzionamento normale.
Giallo	Luce lampeggiante verde/gialla durante l'aggiornamento del firmware.

Slot per schede di memoria

Visitare axis.com per i consigli sulla scheda di memoria.

Pulsanti

Pulsante di comando

Per l'ubicazione del pulsante di comando, vedere *Panoramica del dispositivo alla pagina 82*.

Il pulsante di comando viene utilizzato per:

- Ripristinare le impostazioni predefinite di fabbrica del dispositivo. Vedere *pagina 94*.

Connettori

Connettore di rete

Connettore Ethernet RJ45 con Power over Ethernet Plus (PoE+).

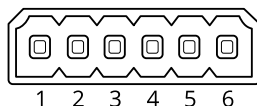
Connettore I/O

Utilizzare il connettore I/O con dispositivi esterni in combinazione con, ad esempio, attivazione di eventi e notifiche di allarme. Oltre al punto di riferimento 0 V CC e all'alimentazione (output CC), il connettore I/O fornisce l'interfaccia per:

Ingresso digitale – Per il collegamento di dispositivi che possono passare da un circuito chiuso ad uno aperto, ad esempio i sensori PIR, i contatti porta/finestra e i rilevatori di rottura.

Uscita digitale – Per il collegamento di dispositivi esterni come relè e LED. I dispositivi collegati possono essere attivati tramite l'API (interfaccia per la programmazione di applicazioni) VAPIX® attraverso un evento oppure dalla pagina Web del dispositivo.

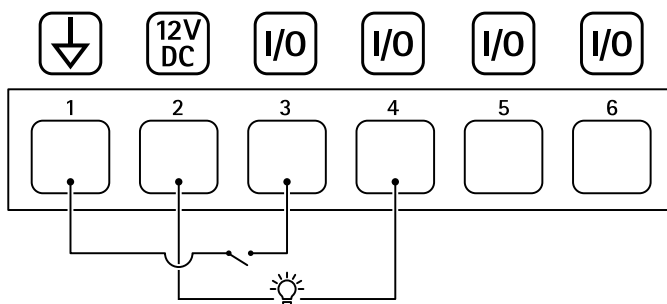
Morsettiera a 6 pin



Funzione	Pin	Note	Specifiche
Terra CC	1		0 V CC
Uscita CC	2	Può essere utilizzato per alimentare una periferica ausiliaria. Nota: questo pin può essere usato solo come uscita alimentazione.	12 V CC Carico massimo = 50 mA
Configurabile (input oppure output)	3–6	Ingresso digitale: collegare al pin 1 per attivarlo oppure lasciarlo isolato (scollegato) per disattivarlo.	Da 0 a max 30 V CC
		Uscita digitale: collegato internamente al pin 1 (terra CC) quando attivo e isolato (scollegato) quando inattivo. Se utilizzata con un carico induttivo, ad esempio un relè, collegare un diodo in parallelo al carico per proteggere il dispositivo da sovratensioni.	Da 0 a max 30 V CC, open drain, 100 mA

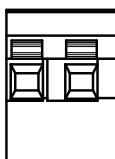
AXIS D2050-VE Network Radar Detector

Esempio



- 1 Ground CC
- 2 Output CC 12 V, max 50 mA
- 3 I/O configurato come input
- 4 I/O configurato come output
- 5 I/O configurabile
- 6 I/O configurabile

Connettore relè



⚠ATTENZIONE

Utilizzare cavi principali singoli per il connettore del relè.

Funzione	Specifiche
Tipo	Normalmente aperto
Classe	24 V CC
Corrente max.	5 A
Isolamento da un altro circuito	2,5 kV
Durata elettrica	24 V DC, 25 000 operazioni a +70°C

Condizioni di funzionamento

Dispositivo	Classificazione	Temperatura	Umidità
AXIS D2050-VE	IEC 60529 IP66 NEMA 250 Tipo 4X	Da -40 °C a 60 °C	10-100% umidità relativa (con condensa)

Consumo energetico

AVISO

Utilizzare una sorgente di alimentazione limitata (LPS) compatibile con una bassissima tensione di sicurezza (SELV) con una potenza di uscita nominale limitata a ≤ 100 W o una corrente nominale di uscita limitata a ≤ 5 A.

IT

Dispositivo	Power over Ethernet	Alimentazione
AXIS D2050-VE	IEEE 802.3at, Tipo 2 Classe 4	Tipico 9 W Max. 15 W

Informazioni di sicurezza

Livelli di pericolo

▲PERICOLO

Indica una situazione pericolosa che, se non evitata, provoca morte o lesioni gravi.

▲AVVERTENZA

Indica una situazione pericolosa che, se non evitata, potrebbe provocare la morte o lesioni gravi.

▲ATTENZIONE

Indica una situazione pericolosa che, se non evitata, potrebbe provocare lesioni medie o minori.

AVVISO

Indica una situazione che, se non evitata, potrebbe danneggiare la proprietà.

IT

Altri livelli di messaggio

Importante

Indica informazioni importanti, essenziali per il corretto funzionamento del dispositivo.

Nota

Indica informazioni utili che aiutano a ottenere il massimo dal dispositivo.

AXIS D2050-VE Network Radar Detector

Informazioni di sicurezza

⚠ PERICOLO

Rischio di scosse elettriche. Tutti i cavi devono essere diseccitati prima di installare o eseguire la manutenzione sul dispositivo.

⚠ AVVERTENZA

Il dispositivo Axis deve essere installato da un professionista qualificato, in conformità alle leggi e alle disposizioni locali.

⚠ ATTENZIONE

Fare attenzione ai bordi metallici taglienti. Utilizzare guanti resistenti ai tagli durante l'installazione.

AWISO

- Il dispositivo Axis deve essere utilizzato in conformità alle leggi e alle normative locali.
- Axis consiglia l'uso di un cavo di rete schermato (STP).
- Axis consiglia di utilizzare un cavo di rete di categoria CAT5e o versione successiva.
- Conservare il dispositivo Axis in un ambiente asciutto e ventilato.
- Evitare di esporre il dispositivo Axis a urti o pressioni eccessive.
- Evitare di esporre il dispositivo Axis a vibrazione.
- Non installare il dispositivo su supporti, superfici, pareti o pali instabili.
- Non installare il dispositivo su supporti, superfici, pareti o pali che vibrano.
- Utilizzare solo strumenti applicabili quando si installa il dispositivo Axis. Se si utilizza una forza eccessiva con strumenti non adatti è possibile causare danni al dispositivo.
- Non utilizzare sostanze chimiche, agenti caustici o detergenti aerosol.
- Utilizzare un panno pulito inumidito in acqua pura per la pulizia.
- Utilizzare solo accessori compatibili con le specifiche tecniche del dispositivo. Questi possono essere forniti da Axis o da terze parti. Axis consiglia l'uso dell'apparecchiatura di alimentazione Axis compatibile con il dispositivo.
- Utilizzare solo parti di ricambio fornite o consigliate da Axis.
- Non tentare di riparare il dispositivo da soli. Contattare l'assistenza o il rivenditore Axis per questioni relative alla manutenzione.

Trasporto

AWISO

- Durante il trasporto del dispositivo Axis, utilizzare l'imballaggio originale o equivalente per evitare danni al dispositivo.

Batteria

⚠ATTENZIONE

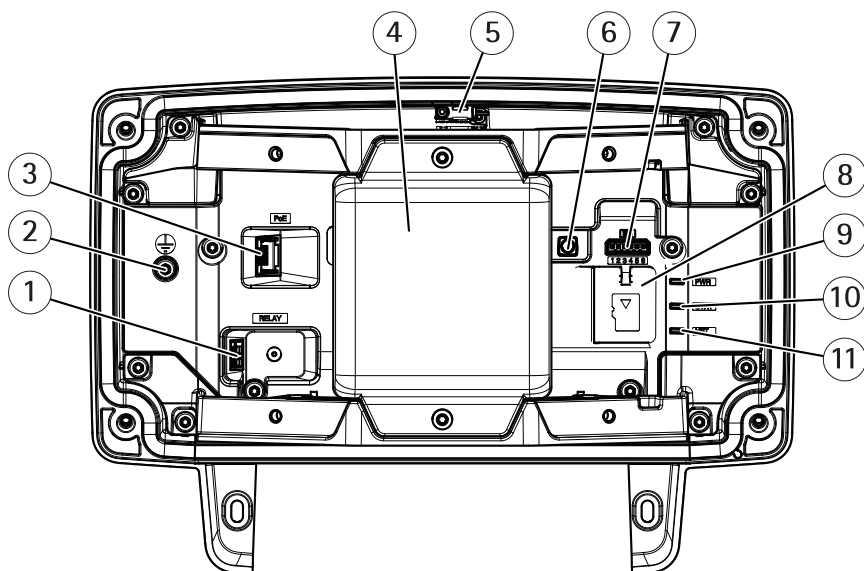
Non sostituire la batteria da soli. Contattare l'assistenza di Axis se il messaggio di registro richiede una sostituzione della batteria.

Le batterie a bottone al litio da 3 V contengono 1,2-dimetossietano; etere dimetilico di glicole etilenico (EGDME), CAS n. 110-71-4.

Contenido del paquete

- AXIS D2050-VE Network Radar Detector
- Soporte de montaje
- Adaptador para tubo (2)
- Tornillo T30 (4) para su uso en soportes de montaje en poste.
- Destornillador Torx TR20
- Herramienta de montaje para RJ45
- Zapata para cable
- Arandela de bloqueo
- Junta de cable, gris (2)
- Junta de cable, negra
- Prensaestopas
- Bloque de conectores de E/S de seis pines para conectar dispositivos externos
- Materiales impresos
 - Guía de instalación (este documento)
 - Etiqueta adicional con el número de serie (2)
 - Clave de autenticación AVHS
 - Plantilla de perforado
 - Adhesivo de vigilancia mediante radar

Información general del producto



- 1 Conector de relé
- 2 Tornillo de toma de tierra
- 3 Conector de red
- 4 Módulo de radar
- 5 Interruptor de alarma contra intrusiones
- 6 Botón de control
- 7 Conector de E/S
- 8 Ranura para tarjeta microSD
- 9 LED de alimentación
- 10 LED de estado
- 11 LED de red

Dónde instalar el producto

El detector se ha diseñado para supervisar áreas abiertas. Cualquier objeto sólido (como un árbol o arbusto) en el área de cobertura creará un punto ciego (sombra de radar) detrás de él.

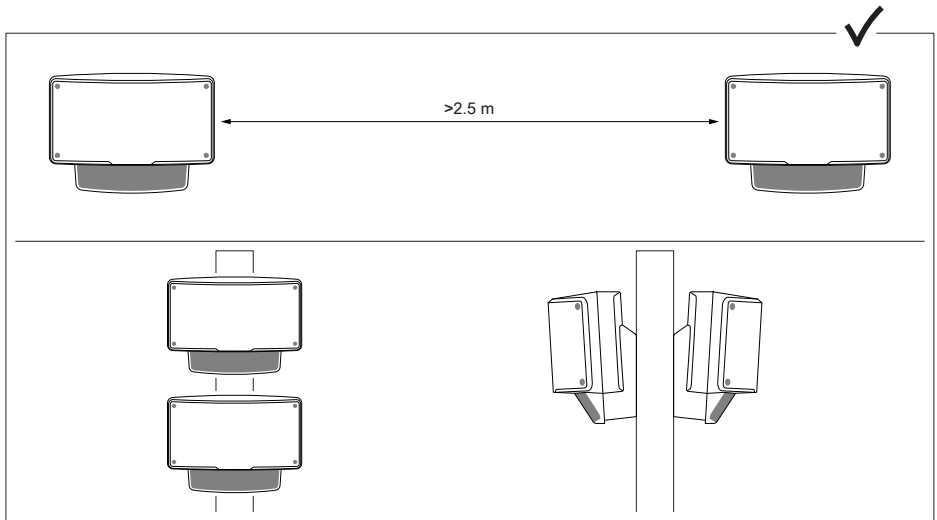
Instale el detector en un poste o en un punto en una pared donde no haya otros objetos o instalaciones cerca.

Para poder identificar el movimiento correctamente en el área de cobertura, el detector necesita instalarse en un montaje estable. No instale el detector en un poste en movimiento.

Si se instalan dos detectores de radar juntos, podrían interferir entre sí. Para evitar la interferencia, puede seleccionar diferentes canales para los detectores. Para configurar diferentes canales, consulte *Cómo instalar varios detectores en la página 117*.

Para evitar la interferencia entre los detectores de radar que se instalan en paralelo, la distancia entre las unidades debe ser de un mínimo de 2,5 metros. Si hay dos detectores en paralelo, pero angulados entre sí —por ejemplo, si se instalan en un poste—; entonces podría no haber interferencias incluso si están a menos de 2,5 metros entre sí. Los detectores que se montan uno sobre el otro no provocan interferencias, con independencia de la distancia.

ES



A la altura de montaje recomendada, el límite de detección cercano es de 4,5 m.

Si hay muchos objetos de metal en el campo de visión, habrá muchos reflejos que afecten al rendimiento.

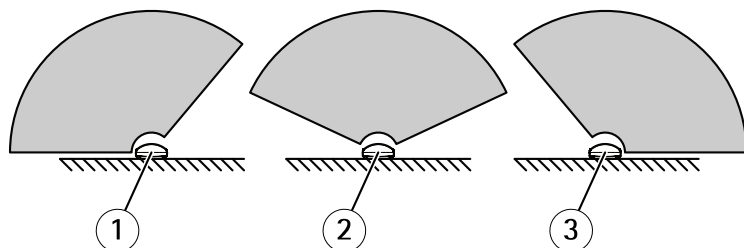
Nota

No repinte el detector. La pintura puede afectar seriamente al rendimiento del detector.

Dirección de montaje

El detector cubre un ángulo de $\pm 60^\circ$ desde su eje central. Esto significa que si lo monta en una pared hay un punto ciego a cada lado del detector.

Para cubrir la pared, puede mover el módulo del radar dentro del detector.



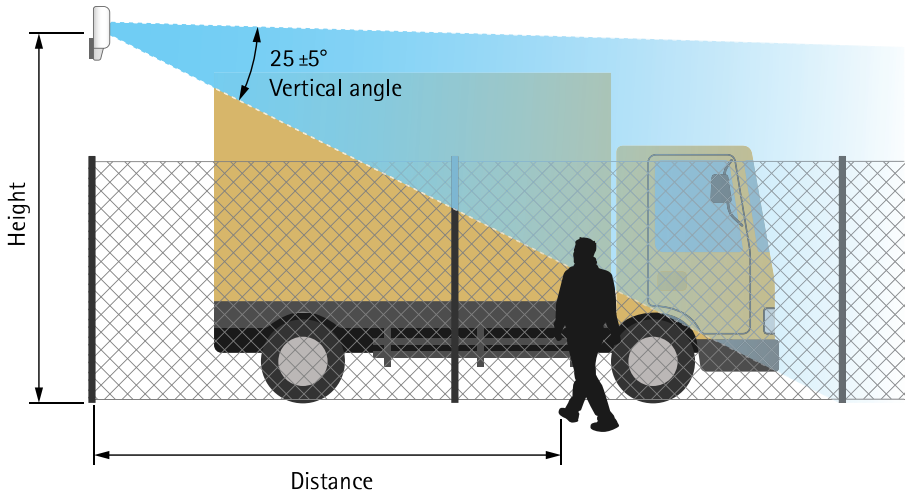
- 1 Dirección de montaje -25°
- 2 Dirección de montaje 0°
- 3 Dirección de montaje 25°

Altura de montaje

Para un rendimiento óptimo, instale el detector a 3,5 m del suelo.

Nota

Si instala el detector a una altura diferente, introduzca la altura del montaje real en la página web del producto antes de calibrar el radar.



ES

La siguiente tabla muestra el rango de detección en diferentes alturas de montaje cuando detecta a una persona de 1,8 m de altura caminando.

Altura de montaje	3,5 m	4 m	4,5 m	5 m
Límite de detección cerca	4,5 m	6 m	7 m	8,5 m
Límite de detección lejos (valor máx.)	49 m	51 m	51 m	52 m

Inclinación de montaje

El detector está diseñado para instalarse a 3,5 m del suelo. Si el detector se instala más alto, el límite de detección cercano se verá afectado.

Para mejorar el límite de detección cercano, incline el detector hacia abajo con AXIS T91R61 Wall Mount.

La tabla muestra el rango de detección para una persona que penetra en el centro de la zona de detección.

AXIS D2050-VE Network Radar Detector

	Altura: 3 m	Altura: 4 m	Altura: 5 m	Altura: 6 m	Altura: 7 m	Altura: 8 m
Inclina- ción: 0°	por determinar	7,5-44,5 m	9-48,5 m	13,5-47 m	17-44 m	20,5-43 m
Inclina- ción: 10°	3,5-36 m	5-33,5 m	6,5-40,5 m	8,5-38 m	11-46 m	13,5-47,5 m
Inclina- ción: 20°	por determinar	por determinar	5-26 m	6,5-28 m	por determinar	8-31 m

Cómo instalar el producto

⚠ADVERTENCIA

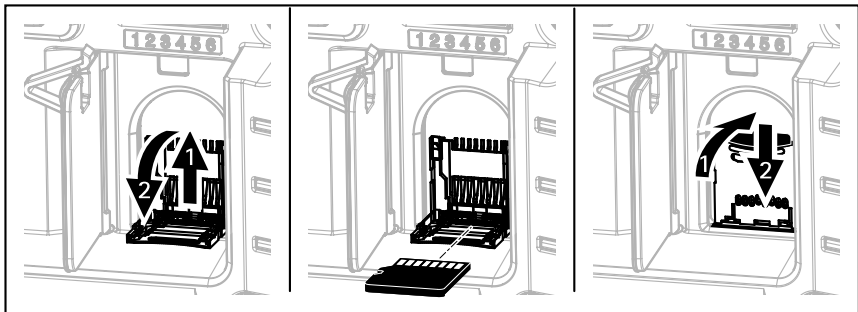
Riesgo de descarga eléctrica. El producto debe conectarse a tierra mediante un cable de red blindado (STP) o un cable de tierra. Si utiliza un cable de tierra, asegúrese de que los dos extremos del cable estén en contacto a sus respectivas superficies de toma de tierra.

⚠ATENCIÓN

Asegúrese de que los tornillos y tacos sean los adecuados para el material (por ejemplo, madera, metal, placas de yeso, piedra) y de que el material sea lo suficientemente resistente para soportar el peso del detector.

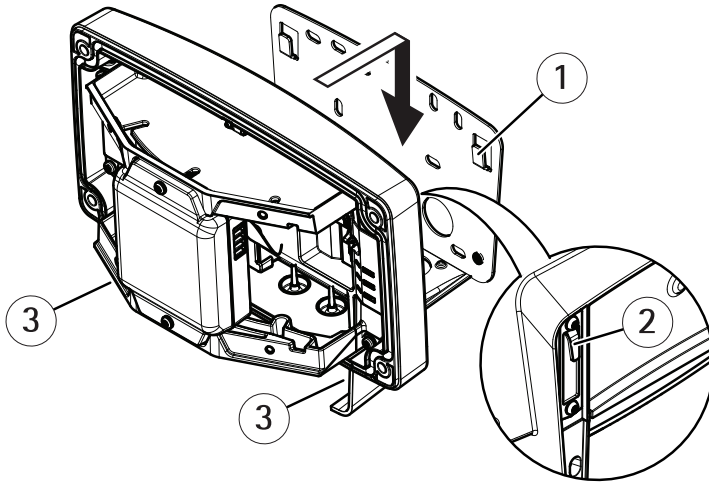
1. Utilice la plantilla de perforado y marque la ubicación de los orificios antes de perforarlos.
2. Fije el soporte de montaje a la pared.
3. Guíe el cable de red a través del soporte de montaje. Deje unos 30 cm de cable para conectarlo al detector.
4. Si se conecta un dispositivo auxiliar, por ejemplo, uno de E/S, repita el paso anterior según se aplique al dispositivo en cuestión.
5. Quite la cubierta delantera del detector.
6. En caso de utilizar una tarjeta microSD como unidad de almacenamiento local, inserte la tarjeta en la ranura para tarjetas microSD del detector.

ES



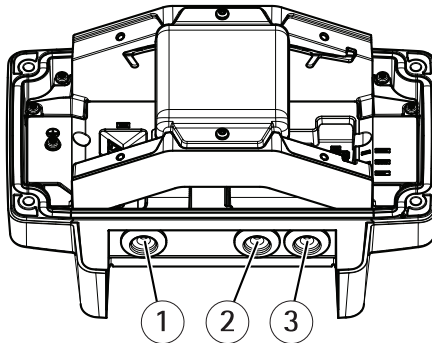
7. Coloque el detector en el soporte de montaje con los ganchos y fíjelo con los tornillos.

AXIS D2050-VE Network Radar Detector



- 1 Gancho, lateral del soporte
- 2 Gancho, lateral del detector
- 3 Tornillo (2)

8. Retire la junta de cable de la parte derecha y tire de la lengüeta para abrir un orificio para el cable de red.

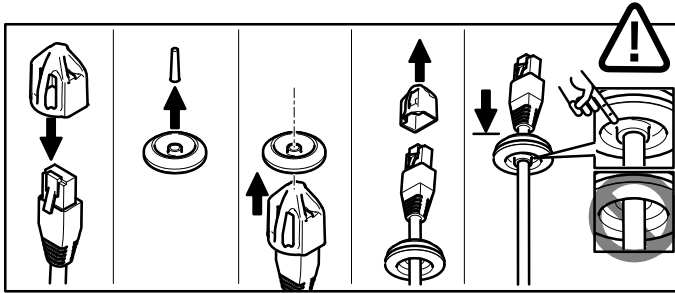


- 1 Toma de tierra/relé
- 2 E/S
- 3 Red

AVISO

- Si se utiliza más de un cable, cada cable deberá pasarse por una junta distinta.

- Solo abra un orificio en las juntas de cable que se vayan a utilizar y si alguna junta está desgastada, reemplácela con una nueva. Si deja la junta de cable abierta o utiliza una desgastada, el agua podría filtrarse y dañar el producto.
9. Empuje el cable de red a través de la junta de cable.



ES

AVISO

Si el cable de red incluye un conector de red premontado, retire la junta de cable y utilice el protector del conector para evitar que la junta de cable se rompa. Evite utilizar cables de red con conectores de red recubiertos ya que podrían rasgar la junta de cable a pesar de utilizar el protector.

10. Tire del cable de red hacia atrás suavemente de manera que la junta de cable se ajuste en el cable.

AVISO

Si no se tira del cable hacia atrás, podría filtrarse agua y dañar el producto.

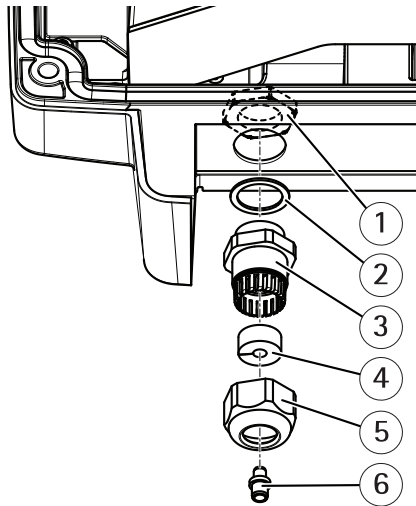
11. Vuelva a colocar la junta de cable.
12. Si se conecta un dispositivo auxiliar, por ejemplo, uno de E/S, repita el paso anterior según se aplique al dispositivo en cuestión.

AVISO

Monte los conectores después de haber encajado los cables en la junta de cable.

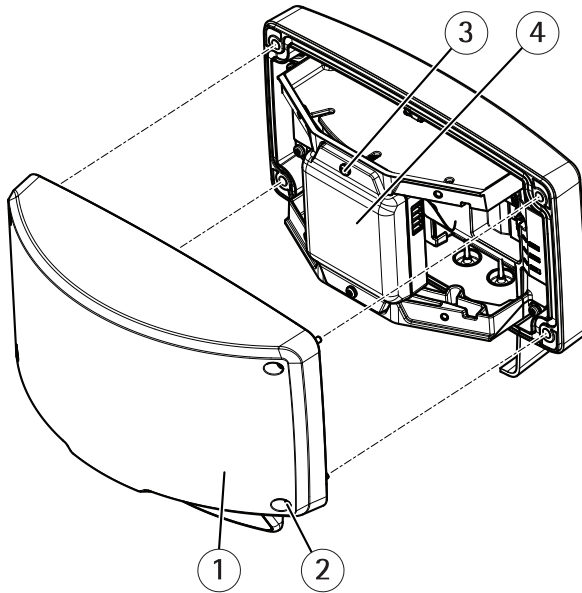
13. Para utilizar un prensaestopas con descarga de tracción, móntelo como se muestra a continuación. Apriete la tuerca y la tapa firmemente con la mano.

AXIS D2050-VE Network Radar Detector



- 1 Tuerca
- 2 Junta de cable
- 3 Cuerpo
- 4 Junta
- 5 Tapa
- 6 Tapón (desechable)

14. Si utiliza un cable de tierra, fíjelo a la zapata para cable utilizando unos alicates para zapatas. Fije la zapata para cable al tornillo de tierra. Asegúrese de que la zapata para cable esté en contacto con la superficie de toma de tierra.
15. Conecte los dispositivos externos al detector.
16. Conecte el cable de red.
17. Asegúrese de que los indicadores LED indiquen la condición correcta. Consulte *Indicadores LED en la página 120*.
18. Si es necesario, mueva la unidad de radar a una de las otras direcciones de montaje, consulte *Dónde instalar el producto en la página 107*.



- 1 Cubierta delantera
- 2 Tornillos (4)
- 3 Tornillo (2)
- 4 Unidad de radar

19. Coloque la cubierta delantera y apriete los tornillos.

Localice el dispositivo en la red

Para localizar dispositivos Axis en la red y asignarles direcciones IP en Windows®, utilice AXIS IP Utility o AXIS Device Manager. Ambas aplicaciones son gratuitas y pueden descargarse desde axis.com/support.

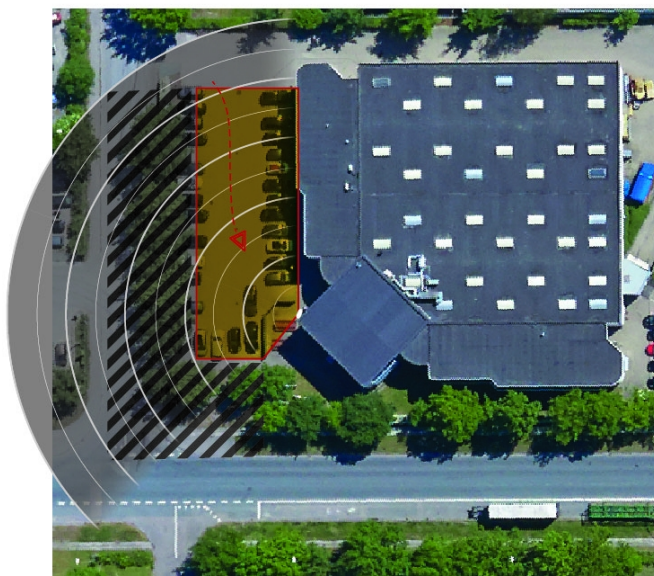
Para obtener más información acerca de cómo encontrar y asignar direcciones IP, consulte el documento *How to assign an IP address and access your device (Cómo asignar una dirección IP y acceder al dispositivo)*.

AXIS D2050-VE Network Radar Detector

Configuración del detector

El detector está listo para usarse en cuanto se instale. La visualización en directo predeterminada muestra la cobertura del radar y los movimientos detectados. Además, puede añadir zonas de detección y reglas directamente.

Para que resulte más fácil ver dónde se mueven los objetos, puede cargar un mapa de referencia, como un plano de planta o una foto aérea, que muestre el área cubierta por el detector de radar.



Requisitos de imagen:

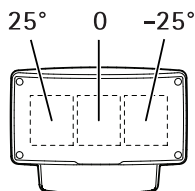
- Los formatos de archivo compatibles son jpeg y png.
- Utilice una imagen con las mismas proporciones (16:9) o la misma resolución (1920 x 1080) para la visualización en directo. Si la imagen es más pequeña, se ampliará para ajustarse a la ventana. Si las proporciones no son correctas, la imagen no llenará toda la transmisión de vídeo.
- Recorte la imagen para que se ajuste a la cobertura del radar todo lo posible antes de cargarla.
- La orientación no es importante ya que la forma de cobertura del radar se moverá para adaptarse a la imagen durante la calibración.

Tras cargar el mapa de referencia, necesita calibrar el radar de tal modo que la cobertura del radar real se ajuste a la posición, dirección y escala del mapa de referencia.

Existen dos métodos para calibrar el mapa de referencia:

- **Calibración con pines:** La calibración se realiza en la interfaz web al soltar los pines en ubicaciones conocidas en el mapa de referencia y ajustar la distancia entre los pines.

Cuando calibre con pines, necesita seleccionar la posición de montaje del módulo del radar en el interior del detector.



- **Calibración con guías:** El método de calibración requiere que una persona se mueva delante del radar.

Puede hacerlo usted mismo mediante el acceso a la interfaz web desde un dispositivo móvil o que otra persona se mueva y siga sus instrucciones.

Al pasar por las diferentes fases, desplácese a lugares fáciles de encontrar en el mapa de referencia.

Cómo configurar el detector

1. Para cargar un mapa de referencia, vaya a **Settings > Radar > Reference map** (**Configuración > Radar > Mapa de referencia**). Seleccione **Browse (Examinar)** para encontrar un archivo de imagen y seleccione **Upload (Cargar)** para colocar la imagen en la visualización en directo.
2. Para calibrar el mapa de referencia, vaya a **Settings > Radar > Reference map calibration** (**Ajustes > Radar > Calibración del mapa de referencia**). Seleccione **Start calibration (Iniciar calibración)** y siga las instrucciones.

Cómo instalar varios detectores

Si se montan dos detectores de radar juntos, podrían interferir entre sí. Para evitar problemas, seleccione canales diferentes para los detectores.

1. Vaya a **Settings > Radar > General** (**Configuración < Radar < General**) y seleccione **Channel (Canal)**.

Restablecimiento a la configuración predeterminada de fábrica

Importante

Es preciso tener cuidado si se va a restablecer la configuración predeterminada de fábrica. Todos los valores, incluida la dirección IP, se restablecerán a la configuración predeterminada de fábrica.

Para restablecer el producto a la configuración predeterminada de fábrica:

1. Desconecte la alimentación del producto.
2. Mantenga pulsado el botón de control mientras vuelve a conectar la alimentación. Consulte *Información general del producto en la página 106*.
3. Mantenga pulsado el botón de control durante 15-30 segundos hasta que el indicador LED de estado parpadee en ámbar.
4. Suelte el botón de control. El proceso finaliza cuando el indicador LED de estado se pone verde. El producto se ha restablecido a la configuración predeterminada de fábrica. Si no hay ningún servidor DHCP disponible en la red, la dirección IP predeterminada será 192.168.0.90.
5. Utilice las herramientas del software de instalación y gestión para asignar una dirección IP, establecer la contraseña y acceder a la transmisión de vídeo.

Las herramientas de software de instalación y gestión están disponibles en las páginas de servicio técnico en axis.com/support.

También es posible restablecer los parámetros a los valores predeterminados de fábrica mediante la interfaz web. Vaya a **Settings > System > Maintenance (Ajustes > Sistema > Mantenimiento)** y haga clic en **Default (Predeterminado)**.

Más información

- Para consultar la versión más reciente de este documento, vaya a axis.com.
- El manual de usuario se encuentra disponible en axis.com.
- Para comprobar si existe un firmware actualizado disponible para su dispositivo, vaya a axis.com/support.
- Para consultar webinars y cursos en línea que pueden resultarle útiles, vaya a axis.com/academy.

Accesorios opcionales

Para conocer una lista completa de los accesorios disponibles para este producto, vaya a la página axis.com y seleccione Software y accesorios.

ES

- AXIS T91R61 Wall Mount
- AXIS T91A47 Pole Mount
- AXIS T94R01B Corner Bracket

Especificaciones

Indicadores LED

LED de estado	Indicación
Verde	Fijo en verde para indicar un funcionamiento normal.
Ámbar	Fijo durante el inicio. Parpadea al restaurar valores de configuración.

LED de red	Indicación
Verde	Fijo para indicar una conexión a una red de 100 Mbits/s. Parpadea cuando hay actividad de red.
Ámbar	Fijo para indicar una conexión a una red de 10 Mbits/s. Parpadea cuando hay actividad de red.
Apagado	No hay conexión a la red.

LED de alimentación	Indicación
Verde	Funcionamiento normal.
Ámbar	Parpadea en verde/ámbar durante la actualización del firmware.

Ranura para tarjetas SD

Para conocer las recomendaciones sobre tarjetas SD, consulte axis.com.

Botones

Botón de control

Para conocer la ubicación del botón de control, consulte *Información general del producto en la página 106*.

El botón de control se utiliza para lo siguiente:

- Restablecer el producto a la configuración predeterminada de fábrica. Consulte *página 118*.

Conectores

Conector de red

Conector Ethernet RJ45 con alimentación a través de Ethernet Plus (PoE+).

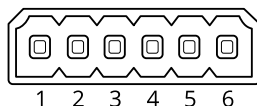
Conector de E/S

Utilizar el conector de E/S con dispositivos externos en combinación con activación de eventos y notificaciones de alarma, por ejemplo. Además del punto de referencia de 0 V CC y la alimentación (salida de CC), el conector de E/S ofrece una interfaz para:

Entrada digital – Conectar dispositivos que puedan alternar entre circuitos cerrados y abiertos, por ejemplo, sensores PIR, contactos de puertas y ventanas o detectores de cristales rotos.

Salida digital – Conectar dispositivos externos como relés y LED. Los dispositivos conectados se pueden activar mediante la interfaz de programación de aplicaciones VAPIX®, mediante un evento o desde la página web del producto.

Bloque de terminales de 6 pines

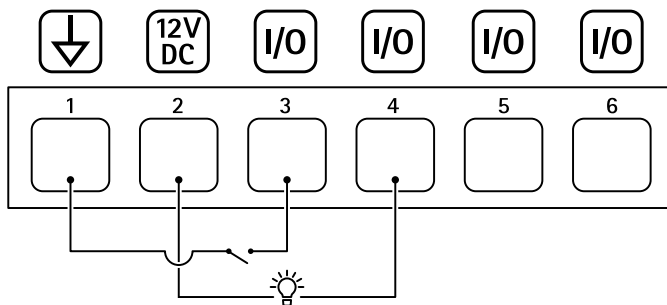


Función	Pin	Notas	Especificaciones
Tierra CC	1		0 V CC
Salida de CC	2	Se puede utilizar para conectar el equipo auxiliar. Nota: Este pin solo se puede utilizar como salida de alimentación.	12 V CC Carga máx. = 50 mA
Configurable (entrada o salida)	3–6	Entrada digital: conéctela al pin 1 para activarla, o bien déjela suelta (desconectada) para desactivarla.	De 0 a un máximo de 30 V CC
		Salida digital: conectada internamente a pin 1 (tierra CC) cuando está activa; y suelta (desconectada), cuando está inactiva. Si se utiliza con una carga inductiva, por ejemplo, un relé, conecte un diodo en paralelo a la carga como protección contra transitorios de tensión.	De 0 a un máximo de 30 V CC, colector abierto, 100 mA

ES

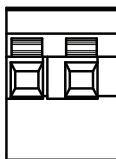
AXIS D2050-VE Network Radar Detector

Ejemplo



- 1 Tierra CC
- 2 Salida de CC 12 V, 50 mA máx.
- 3 E/S configurada como entrada
- 4 E/S configurada como salida
- 5 E/S configurable
- 6 E/S configurable

Conector de relé



⚠ ATENCIÓN

Utilice cables de un solo núcleo para el conector de relé.

Función	Especificaciones
Tipo	Normalmente abierto
Clasificación	24 V CC
Corriente máx.	5 A
Aislamiento de otro circuito	2,5 kV
Resistencia eléctrica	24 V CC, 25 000 operaciones a +70°C

Condiciones de funcionamiento

Producto	Clasificación	Temperatura	Humedad
AXIS D2050-VE	IEC 60529 IP66 NEMA 250 Tipo 4X	De -40 °C a 60 °C	Humedad relativa: 10-100 % (con condensación)

Consumo de energía

AVISO

Utilice una fuente de alimentación limitada (LPS) que cumpla los requisitos de tensión muy baja de seguridad (SELV) con una potencia nominal de salida limitada a ≤ 100 W o una corriente nominal de salida limitada a ≤ 5 A.

ES

Producto	Alimentación a través de Ethernet	Alimentación
AXIS D2050-VE	IEEE 802.3at, Tipo 2 Clase 4	9 W típicos 15 W máx.

Información de seguridad

Niveles de peligro

▲PELIGRO

Indica una situación peligrosa que, si no se evita, provocará lesiones graves o la muerte.

▲ADVERTENCIA

Indica una situación peligrosa que, si no se evita, puede provocar lesiones graves o la muerte.

▲ATENCIÓN

Indica una situación peligrosa que, si no se evita, puede provocar lesiones moderadas o leves.

AVISO

Indica una situación peligrosa que, si no se evita, puede provocar daños materiales.

ES

Otros niveles de mensaje

Importante

Indica información importante que es fundamental para que el producto funcione correctamente.

Nota

Indica información útil que ayuda a aprovechar el producto al máximo.

AXIS D2050-VE Network Radar Detector

Instrucciones de seguridad

▲ PELIGRO

Riesgo de descarga eléctrica. Todos los cables deberán estar sin energía antes de realizar trabajos de instalación o mantenimiento en el producto.

▲ ADVERTENCIA

El producto de Axis debe instalarlo un profesional formado conforme a las leyes y normativas locales.

▲ ATENCIÓN

Tenga cuidado con los bordes metálicos afilados. Utilice guantes resistentes a los cortes durante la instalación.

AVISO

- Este producto de Axis debe utilizarse de acuerdo con las leyes y normativas locales.
- Axis recomienda utilizar un cable de red blindado (STP).
- Axis recomienda utilizar un cable de red de categoría CAT5e o superior.
- Almacene el producto de Axis en un entorno seco y ventilado.
- Evite la exposición del producto de Axis a choques o a una fuerte presión.
- Evite la exposición del producto de Axis a vibraciones.
- No instale el producto en postes, soportes, superficies o paredes inestables.
- No instale el producto en postes, soportes, superficies o paredes que vibren.
- Utilice solo las herramientas correspondientes cuando instale el producto de Axis. La aplicación de una fuerza excesiva con herramientas eléctricas puede provocar daños en el producto.
- No utilice limpiadores en aerosol, agentes cáusticos ni productos químicos.
- Limpie con un paño limpio humedecido con agua pura.
- Utilice solo accesorios que cumplan con las especificaciones técnicas de su producto. Estos accesorios los puede proporcionar Axis o un tercero. Axis recomienda utilizar un equipo de suministro de alimentación de Axis compatible con su producto.
- Utilice solo piezas de repuesto proporcionadas o recomendadas por Axis.
- No intente reparar el producto usted mismo. Póngase en contacto con el servicio de asistencia técnica de Axis o con su distribuidor de Axis para tratar asuntos de reparación.

Transporte

AVISO

- Cuando transporte el producto de Axis, utilice el embalaje original o un equivalente para evitar daños en el producto.

Batería

⚠ ATENCIÓN

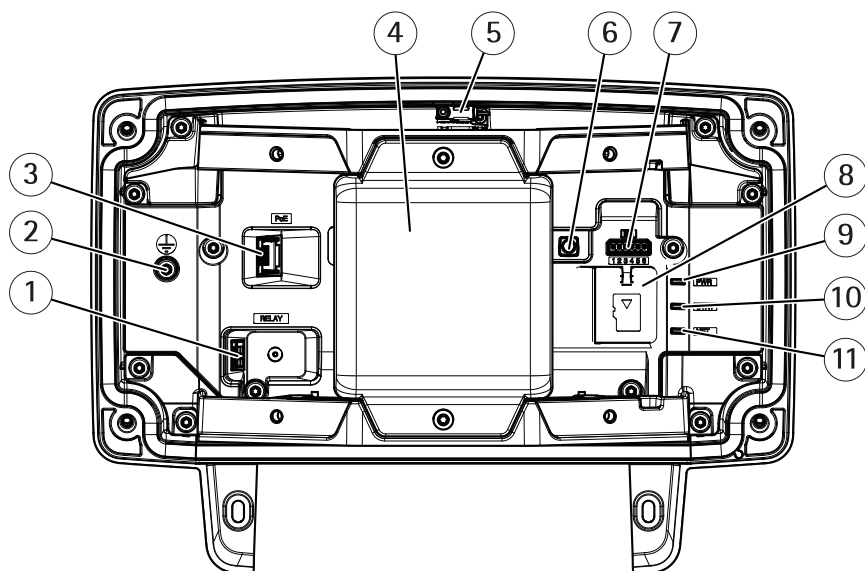
No sustituya la batería usted mismo. Póngase en contacto con el servicio de asistencia técnica de Axis si el mensaje de registro solicita un cambio de batería.

Las pilas de botón de litio de 3,0 V contienen 1,2-dimetoxietano; éter dimetilico de etilenglicol (EGDME), n.º CAS 110-71-4.

パッケージの内容

- AXIS D2050-VE Network Radar Detector
- 取り付けブラケット
- パイプアダプター (×2)
- ポール取付金具用ネジT30 (×4)。
- トルクスTR20ドライバー
- RJ45用取付ツール
- ケーブルシュー
- ロックワッシャー
- ケーブルガスカート (灰色) (×2)
- ケーブルガスカート (黒)
- ケーブルグラウンド
- 外部デバイス接続用6ピンI/Oコネクタブロック
- 印刷物
 - インストールガイド (本書)
 - 予備のシリアル番号ラベル (×2)
 - AVHS認証キー
 - ドリルテンプレート
 - レーダー監視ステッカー

製品の概要



- 1 リレーコネクタ
- 2 アース端子ネジ
- 3 ネットワークコネクタ
- 4 レーダーモジュール
- 5 侵入アラームスイッチ
- 6 コントロールボタン
- 7 I/Oコネクタ
- 8 microSDカードスロット
- 9 電源LED
- 10 ステータスLED
- 11 ネットワークLED

製品の取り付け場所

本検知器はオープンエリアでの監視用です。検知範囲内に固形物(木など)があると、その後ろに死角(レーダー陰)が生まれます。

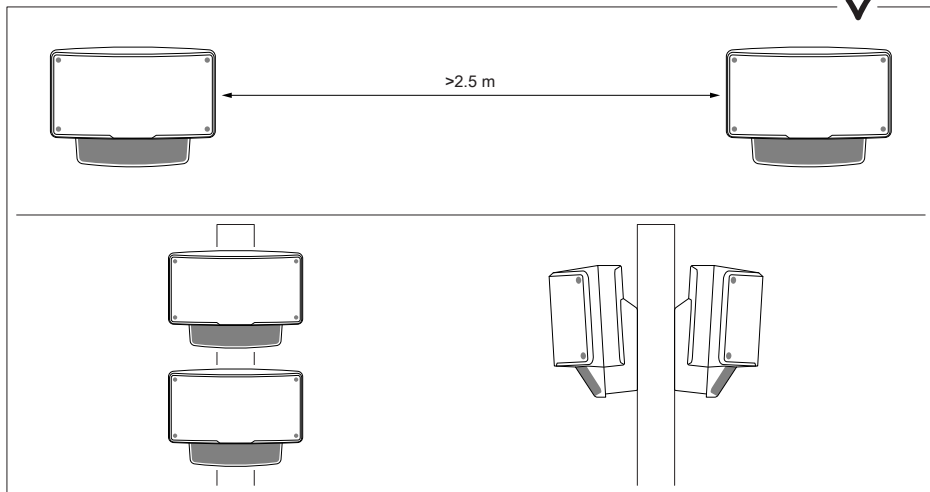
検知器はポールに取り付けるか、壁面上で近くに他の物体や設置された装置がない場所に取り付けます。

検知範囲内の動きを正しく特定するために、本検知器は安定した場所に取り付ける必要があります。本検知器を揺れ動くポールには取り付けないでください。

2つのレーダー検知器をすぐ近くに取り付けると、互いに干渉し合うことがあります。干渉を避けるために、検知器ごとに別のチャンネルを選択することができます。別のチャンネルを設定するには、141ページの、複数の検知器の設置方法を参照してください。

並んで取り付けられているレーダー検知器間の干渉を避けるためには、ユニット間の距離が2.5メートル以上である必要があります。ポールに取り付けられているときなど、2つの検知器が違う方向を向いて並べられている場合、検知器間の距離が2.5メートルより近くても、干渉し合わない可能性があります。一方の検知器より高い位置に取り付けられている検知器に関しては、距離に関係なく干渉は発生しません。

JA



推奨取り付け高の位置で、近距離検知限界は4.5 mです。

画角内に金属の物体が大量にある場合、反射が多くて性能に影響があります。

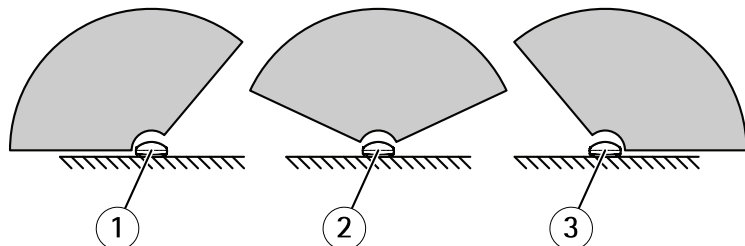
注意

検知器を再塗装しないでください。塗装は検知機の性能に大きな影響を与える可能性があります。

設置方向

本検知器は中心軸から $\pm 60^\circ$ の角度をカバーします。つまり、壁に設置すると本検知器の各側面に死角が生じます。

壁もカバーするために、検知器内部のレーダーモジュールを動かすことができます。



1 -25° の設置方向

2 0° の設置方向

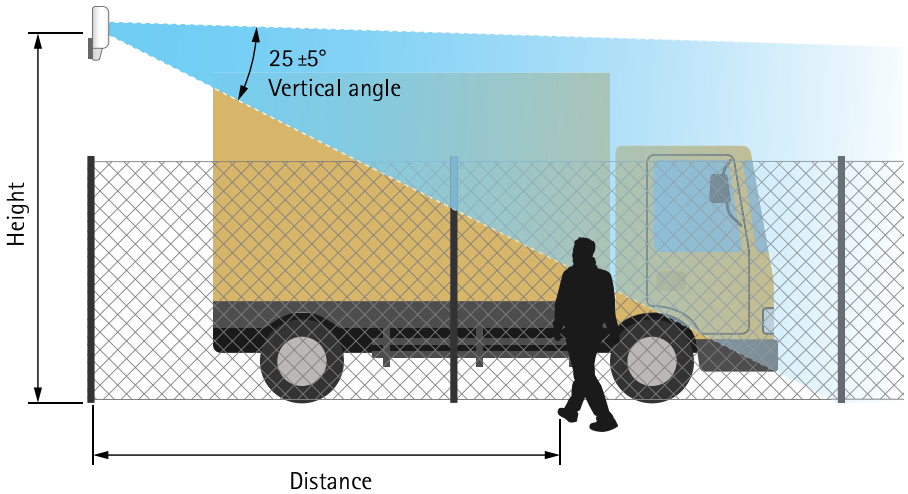
3 25° の設置方向

取付位置の高さ

最適なパフォーマンスを得るには、検知器を地上から3.5 mの位置に取り付けます。

注意

検出器を異なる高さに取り付ける場合は、レーダーのキャリブレーションを行う前に、製品のWebページで実際の取付位置の高さを入力します。



JA

以下の表は歩行している身長1.8 mの人物を検知する場合の、それぞれの取り付け位置の高さでの検知範囲を示します。

取付位置の高さ	3.5 m	4 m	4.5 m	5 m
近距離検知限界	4.5 m	6 m	7 m	8.5 m
遠距離検知限界(最大値)	49 m	51 m	51 m	52 m

取付位置の傾き

検知器は、地面から3.5 mの高さに取り付けられるように設計されています。検知器の取り付け高が高いほど、近距離検知限界は低下します。

近距離検知限界を上げるには、検知器とAXIS T91R61 Wall Mountを下に傾けます。

表は、検知ゾーンの中心に入った人の検知範囲を表示しています。

	高さ: 3 m	高さ: 4 m	高さ: 5 m	高さ: 6 m	高さ: 7 m	高さ: 8 m
チルト: 0°	未決定	7.5~44.5 m	9~48.5 m	13.5~47 m	17~44 m	20.5~43 m

AXIS D2050-VE Network Radar Detector

チルト: 10°	3.5~36 m	5~33.5 m	6.5~40.5 m	8.5~38 m	11~46 m	13.5~47.5 m
チルト: 20°	未決定	未決定	5~26 m	6.5~28 m	未決定	8~31 m

製品の取り付け方法

▲警告

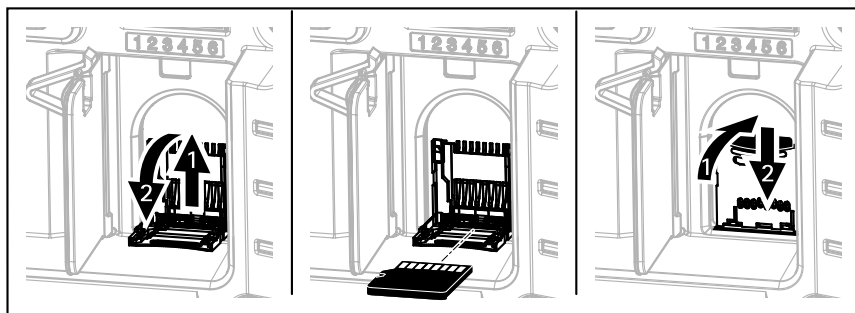
感電の危険があります。本製品は、シールドネットワークケーブル (STP) またはアース線を使用して接地してください。アース線を使用する場合、アース線の両端がアース面と接触していることを確認してください。

▲注意

ネジやプラグ類が、壁の材質 (木、金属、乾式壁、石) に適しているか確認してください。また、壁の材質が、検知器の重量を十分に支えられることを確認してください。

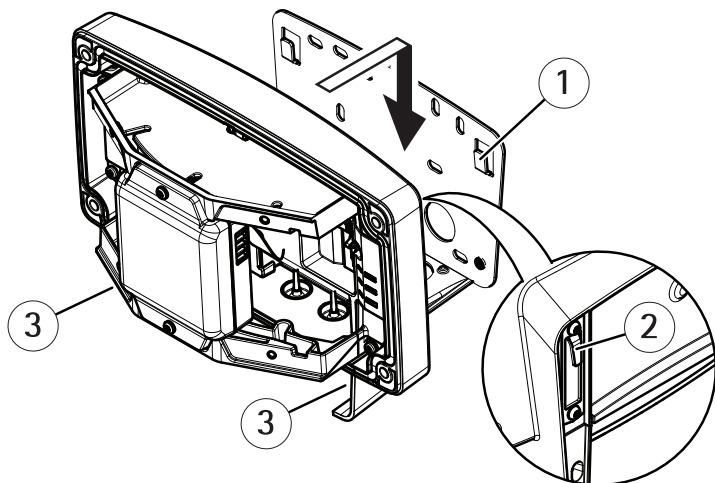
1. ドリルテンプレートを使って、穴を開ける位置に印を付けます。
2. 取り付けブラケットを壁に固定します。
3. ネットワークケーブルを取り付けブラケットに通します。検知器との接続用に30 cmほどケーブルを残します。
4. I/Oなどの補助デバイスを接続する場合、それぞれのデバイスについて同じ手順を繰り返します。
5. 検知器からフロントカバーを取り除きます。
6. microSDカードをローカルストレージとして使用する場合は、検知器のmicroSDカードスロットにSDカードを挿入します。

JA



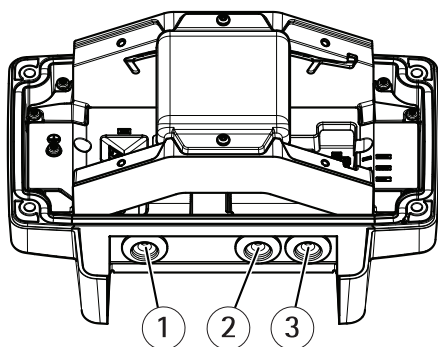
7. 検知器を取り付けブラケットにフックで取り付け、ネジで固定します。

AXIS D2050-VE Network Radar Detector



- 1 フック (ブラケット側)
- 2 フック (検知器側)
- 3 ネジ (×2)

8. 右側のケーブルガasketを取り除き、タブを引いてネットワークケーブル用の穴を開けます。

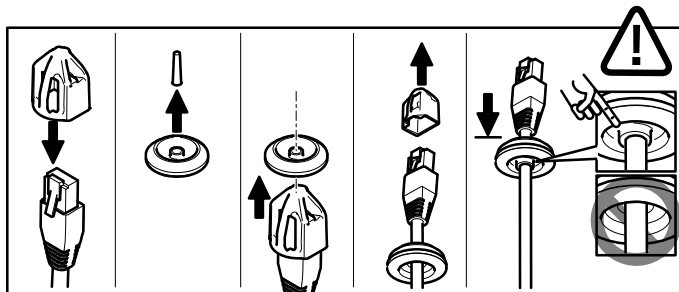


- 1 アース/リレー
- 2 I/O
- 3 ネットワーク

注記

- 複数のケーブルを使用する場合、各ケーブルをそれぞれ別のケーブルガasketに通す必要があります。

- 使用するケーブルガasketのみ穴を開けます。ケーブルガasketが破損した場合には、新品のケーブルガasketに交換してください。ケーブルガasketに穴を開けたままにしたり、破損したケーブルガasketを使用したりすると、浸水し、製品が破損するおそれがあります。
9. ネットワークケーブルをケーブルガasketに通します。



JA

注記

ネットワークケーブルにネットワークコネクタが付いている場合、ケーブルガasketを取り外し、コネクタガードを使用して、ケーブルガasketの破損を防止します。キャップ付きネットワークコネクタの付いたネットワークケーブルは使用しないでください。コネクタガードを使用してもケーブルガasketが破損するおそれがあります。

10. ネットワークケーブルを少し手前に引き、ケーブルガasketをケーブルにぴったりと合わせます。

注記

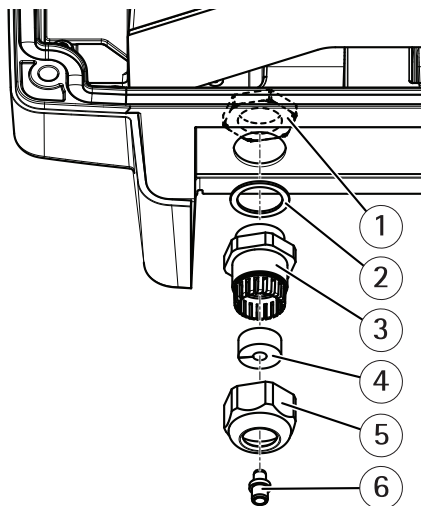
ケーブルを引いて手前に戻さないと、浸水して製品が損傷するおそれがあります。

11. ケーブルガasketを戻します。
12. I/Oなどの補助デバイスを接続する場合、それぞれのデバイスについて同じ手順を繰り返します。

注記

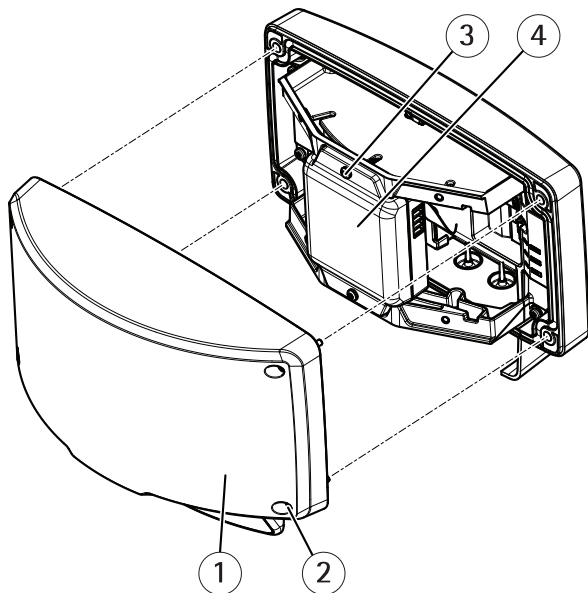
ケーブルをケーブルガasketに通した後にコネクタを取り付けます。

13. ストレインリリーフ付きケーブルグランドを使用する場合、以下のように組み立てます。ナットとキャップを手でしっかりと締めます。



- 1 ナット
- 2 ガasket
- 3 本体
- 4 シール
- 5 キャップ
- 6 プラグ(破棄)

14. アース線を使用する場合、ケーブルシュープライヤーを使用して、アース線をケーブルシューに取り付けます。ケーブルシューをアース端子ネジに取り付けます。ケーブルシューがアース面と接触していることを確認してください。
15. 検知器に外部デバイスを接続します。
16. ネットワークケーブルを接続します。
17. LEDが正しい状態を示しているかを確認します。144ページの、LEDインジケータを参照してください。
18. 必要に応じて、レーダーユニットを他のいずれかの取り付け位置に動かしてください。131ページの、製品の取り付け場所を参照してください。



JA

- 1 フロントカバー
- 2 ネジ(×4)
- 3 ネジ(×2)
- 4 レーダーユニット

19. フロントカバーを取り付け、ネジを締めます。

ネットワーク上のデバイスを検索する

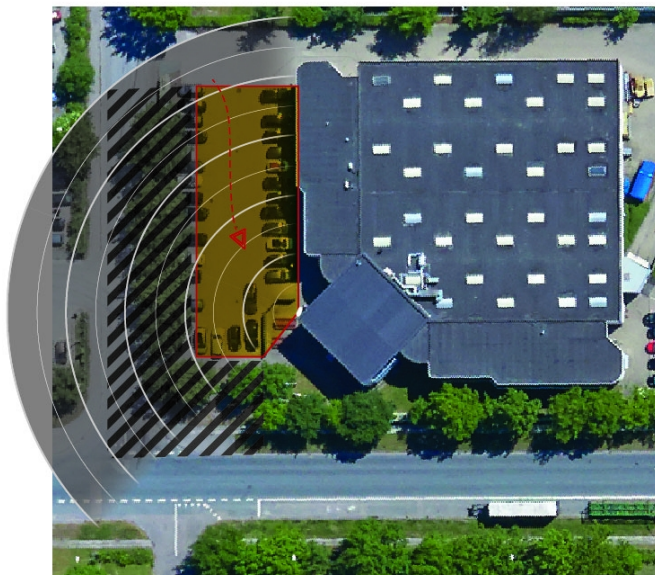
Windows®でAxisデバイスを探してIPアドレスの割り当てを行う方法については、AXIS IP UtilityまたはAXIS Device Managerを使用してください。いずれのアプリケーションも無料で、axis.com/supportからダウンロードできます。

IPアドレスの検索や割り当てを行う方法の詳細については、ドキュメント *IPアドレスの割り当てとデバイスへのアクセス方法*を参照してください。

検知器の設定

本検知器は取り付け後すぐにご利用いただけます。デフォルトのライブビューにはレーダーの検知範囲と検知した動きが表示され、検知ゾーンやルールをすぐに追加できます。

物体が動いている場所を見やすくするために、平面図や航空写真など、レーダー検知器がカバーしている範囲を示す参照マップをアップロードすることができます。



画像の要件は以下のとおりです。

- サポートされるファイル形式は、jpegとpngです。
- ライブビューと同じ比率 (16:9) または解像度 (1920x1080) の画像を使用します。画像が小さい場合、ウィンドウに合わせて拡大されます。比率が間違っている場合、画像はビデオストリーム全体を満たしません。
- 画像をアップロードする前に、レーダーの到達範囲とできるだけ近くなるように画像をクロップしてください。
- レーダーの到達範囲の形状は、キャリブレーション中に画像に適合するように移動されるため、向きは重要ではありません。

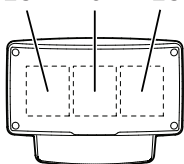
参照マップをアップロードした後、実際のレーダーの検知範囲が参照マップの位置、方向、縮尺と合うように、レーダーのキャリブレーションを行う必要があります。

参照マップのキャリブレーションを行うには、2つの方法があります。

- **ピンを使用するキャリブレーション:** Webインターフェースで、参照マップの既知の場所にピンをドロップし、ピン間の距離を設定することで、キャリブレーションを行います。

ピンを使用してキャリブレーションを行うときは、検知器内部のレーダーモジュールの設置位置を選択する必要があります。

25° 0 -25°



- **追跡を使用するキャリブレーション:** このキャリブレーション方法では、レーダーの前で人が動くことが必要になります。

モバイルデバイスからWebインターフェースにアクセスしながら自分で動くか、他の人に指示して動いてもらいます。

さまざまな歩き方で動き回り、参照マップ内で見つけやすい場所に移動します。

JA

検出器を設定するには

1. 参照マップをアップロードするには、[Settings > Radar > Reference map (設定>レーダー>参照マップ)]を選択します。[Browse] (参照)を選択して画像ファイルを見つけ、[Upload] (アップロード)を選択して画像をライブビュー内に配置します。
2. 参照マップのキャリブレーションを行うには、[Settings > Radar > Reference map calibration (設定 > レーダー > 参照マップキャリブレーション)]に移動します。[Start calibration (キャリブレーションの開始)]をクリックし、指示に従います。

複数の検知器の設置方法

2つのレーダー検知器をすぐ近くに取り付けると、互いに干渉し合うことがあります。問題を回避するために、検知器ごとに別のチャンネルを選択してください。

1. Settings > Radar > General (設定 > レーダー > 一般)に移動し、Channel (チャンネル)を選択します。

工場出荷時の設定にリセットする

重要

工場出荷時の設定へのリセットは慎重に行ってください。工場出荷時の設定へのリセットを行うと、IPアドレスを含むすべての設定が工場出荷時の値にリセットされます。

本製品を工場出荷時の設定にリセットするには、以下の手順を実行します。

1. 本製品の電源を切ります。
2. コントロールボタンを押した状態で電源を再接続します。130ページの、*製品の概要*を参照してください。
3. ステータスLEDインジケーターがオレンジ色に点滅するまで、コントロールボタンを15～30秒間押し続けます。
4. コントロールボタンを離します。プロセスが完了すると、ステータスLEDが緑色に変わります。これで本製品は工場出荷時の設定にリセットされました。ネットワーク上に利用可能なDHCPサーバーがない場合、デフォルトのIPアドレスは192.168.0.90になります。
5. インストールおよび管理ソフトウェアツールを使用して、IPアドレスの割り当て、パスワードの設定、ビデオストリームへのアクセスを行います。
*axis.com/support*のサポートページに、インストールおよび管理ソフトウェアツールが用意されています。

Webインターフェースを使用して、各種パラメーターを工場出荷時の設定に戻すこともできます。**Settings > System > Maintenance (設定 > システム > メンテナンス)**を選択し、**Default (デフォルト)**をクリックします。

関連情報

- 本書の最新バージョンについては、axis.comにアクセスしてください。
- ユーザーズマニュアルは、axis.comで入手できます。
- ご使用のデバイスの新しいファームウェアがリリースされていないかを確認するには、axis.com/supportにアクセスしてください。
- 役に立つオンライントレーニングおよびWebセミナーをご用意しております。axis.com/academyをご覧ください。

オプションアクセサリー

本製品で利用可能なすべてのアクセサリーについては、axis.comで本製品のページを開いて「ソフトウェア&アクセサリー」を参照してください。

- AXIS T91R61 Wall Mount
- AXIS T91A47 Pole Mount
- AXIS T94R01B Corner Bracket

仕様

LEDインジケーター

ステータスLED	説明
緑	正常動作の場合緑色に点灯します。
オレンジ	起動時に点灯します。設定の復元時に点滅します。

ネットワークLED	説明
緑	100Mbit/sネットワークに接続している場合、点灯します。ネットワークパケットを送受信した場合、点滅します。
オレンジ	10Mbit/sネットワークに接続している場合、点灯します。ネットワークパケットを送受信した場合、点滅します。
無点灯	ネットワーク接続なし。

電源LED	説明
緑	正常動作。
オレンジ	ファームウェアアップグレード中は緑とオレンジで交互に点滅します。

SDカードスロット

推奨するSDカードについては、axis.comを参照してください。

ボタン

コントロールボタン

コントロールボタンの位置については、130ページの、[製品の概要](#)を参照してください。

コントロールボタンは、以下の用途で使用します。

- 製品を工場出荷時の設定にリセットする。142ページを参照してください。

コネクタ

ネットワークコネクタ

Power over Ethernet Plus (PoE+) 対応RJ45イーサネットコネクタ

I/Oコネクタ

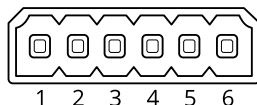
I/Oコネクタに外部装置を接続し、イベントトリガーやアラーム通知などと組み合わせて使用することができます。I/Oコネクタは、0V DC基準点と電力(DC出力)に加えて、以下のインターフェースを提供します：

デジタル入力 - 開回路と閉回路の切り替えが可能なデバイス (PIRセンサー、ドア/窓の接触、ガラス破損検知器など) を接続するための入力です。

デジタル出力 - リレーやLEDなどの外部デバイスを接続します。接続されたデバイスは、VAPIX®アプリケーションプログラミングインターフェースを通じたイベントまたは製品のWebページからアクティブにすることができます。

JA

6ピンターミナルブロック

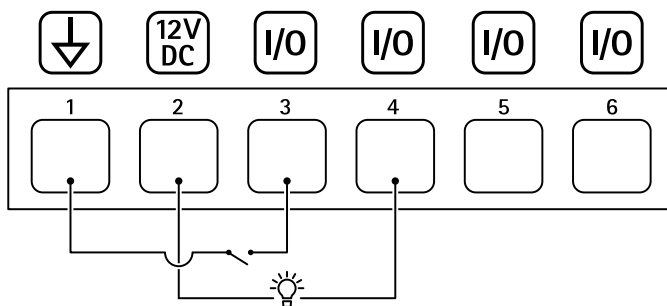


機能	ピン	備考	仕様
DCグラウンド	1		0 V DC
DC出力	2	補助装置の電源供給に使用できます。 注: このピンは、電源出力としてのみ使用できます。	12 V DC 最大負荷 = 50 mA

AXIS D2050-VE Network Radar Detector

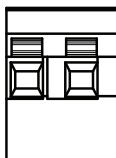
設定可能 (入力または出力)	3-6	デジタル入力-動作させるにはピン1に接続し、動作させない場合はフロート状態(未接続)のままにします。	0~30 V DC (最大)
		デジタル出力-アクティブ時はピン1 (DC グランド) に内部接続し、非アクティブ時はフロート状態(未接続)にします。リレーなど、誘導負荷とともに使用する場合は、過渡電圧から保護するために、ダイオードを負荷と並列に接続します。	0~30 V DC (最大)、オープンドレイン、100 mA

例



- 1 DCグランド
- 2 DC出力 12 V、最大50 mA
- 3 I/O (入力として設定)
- 4 I/O (出力として設定)
- 5 設定可能I/O
- 6 設定可能I/O

リレーコネクター



▲注意

リレーコネクターには単心線を使用してください。

AXIS D2050-VE Network Radar Detector

機能	仕様
タイプ	NO (Normally Open)
定格	24 V DC
最大電流	5 A:
他の回路からの定格絶縁	2.5 kV
電氣的耐久性	24 V DC、+70° Cで25,000回の操作

動作条件

製品	等級	温度	湿度
AXIS D2050-VE	IEC 60529 IP66 NEMA 250 Type 4X	-40 ° C ~ 60 ° C	10 ~ 100% RH (結露可)

JA

消費電力

注記

定格出力が100 W以下または5 A以下の安全特別低電圧 (SELV) に準拠した有限電源 (LPS) を使用してください。

製品	Power over Ethernet	電源
AXIS D2050-VE	IEEE 802.3at、Type 2 Class 4	標準9 W 最大15 W

安全情報

危険レベル

▲危険

回避しない場合、死亡または重傷につながる危険な状態を示します。

▲警告

回避しない場合、死亡または重傷につながるおそれのある危険な状態を示します。

▲注意

回避しない場合、軽傷または中程度の怪我につながるおそれのある危険な状態を示します。

注記

回避しない場合、器物の破損につながるおそれのある状態を示します。

その他のメッセージレベル

重要

製品を正しく機能させるために不可欠な重要情報を示します。

注意

製品を最大限に活用するために役立つ有用な情報を示します。

安全手順

▲危険

感電の危険があります。製品の設置やメンテナンスを行う前にすべてのケーブルの通電を切ってください。

▲警告

本製品の設置は、お使いになる地域の法律や規制に準拠して、訓練を受けた専門技術者が行ってください。

▲注意

鋭利な金属エッジに注意してください。取り付け時は耐切創手袋を使用してください。

▲注記

- 本アクシス製品は、お使いになる地域の法律や規制に準拠して使用してください。
- Axisは、シールドネットワークケーブル (STP) の使用を推奨します。
- Axisは、カテゴリ-CAT5e以上のネットワークケーブルの使用を推奨します。
- 本製品は乾燥した換気のよい環境に保管してください。
- 本製品に衝撃または強い圧力を加えないでください。
- 本製品に振動を加えないでください。
- 本製品を不安定なポール、ブラケット、表面、または壁に設置しないでください。
- 本製品を振動するポール、ブラケット、表面、または壁に設置しないでください。
- 本製品を設置する際には、適切な工具のみを使用してください。電動工具を使用して過剰な力をかけると、製品が損傷することがあります。
- 化学薬品、腐食剤、噴霧式クリーナーは使用しないでください。
- 清掃には、きれいな水に浸した清潔な布を使用してください。
- 製品の技術仕様に準拠したアクセサリのみを使用してください。これらのアクセサリは、Axisまたはサードパーティから入手できます。Axisは、ご使用の製品と互換性のあるAxis給電ネットワークスイッチの使用を推奨します。
- Axisが提供または推奨する交換部品のみを使用してください。
- 製品を自分で修理しないでください。修理については、Axisサポートまたは販売代理店にお問い合わせください。

輸送

▲注記

- 本製品を運搬する際は、製品が損傷しないよう、元の梱包か同等の梱包を使用してください。

バッテリー

▲注意

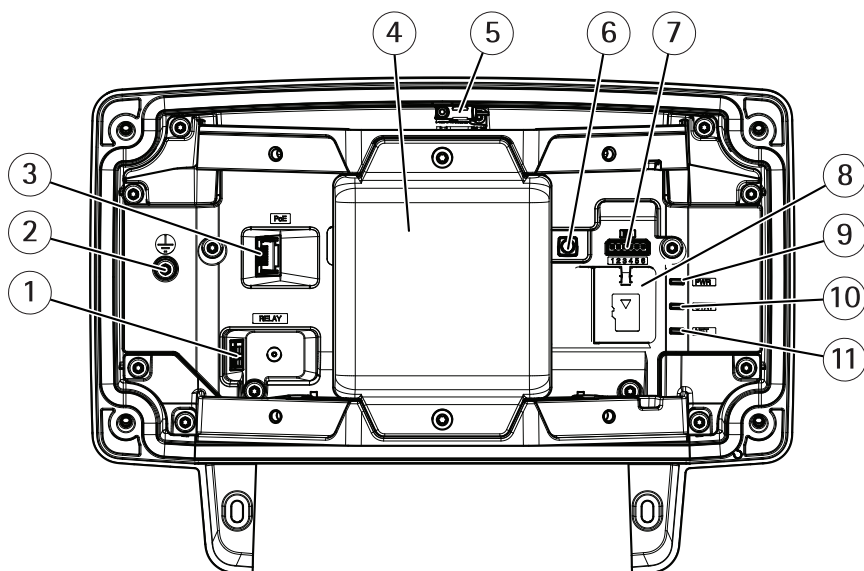
自分でバッテリーを交換しないでください。ログメッセージがバッテリーの交換を要求している場合は、アクシスサポートに連絡してください。

リチウムコイン型3.0V電池は、1,2-ジメトキシエタン(エチレングリコールジメチルエーテル (EGDME)、CAS番号110-71-4)を含有しています。

包装内容

- AXIS D2050-VE Network Radar Detector
- 安装支架
- 管接头（2个）
- 用于立杆托架的螺丝 T30（4个）。
- Torx TR20 螺丝刀
- RJ45 安装工具
- 电缆终端套管
- 锁紧垫圈
- 电缆垫圈，灰色（2个）
- 电缆垫圈，黑色
- 电缆套管
- 用于连接外部设备的 6 针脚输入/输出连接板
- 印刷材料
 - 安装指南（本文档）
 - 额外序号标签（2个）
 - AVHS 身份验证密钥
 - 钻孔模板
 - 雷达监控标签

产品概述



- 1 中继连接器
- 2 接地螺丝
- 3 网络连接器
- 4 雷达模块
- 5 入侵报警开关
- 6 控制按钮
- 7 输入/输出连接器
- 8 microSD 卡槽
- 9 电源 LED
- 10 状态 LED
- 11 网络 LED

产品安装位置

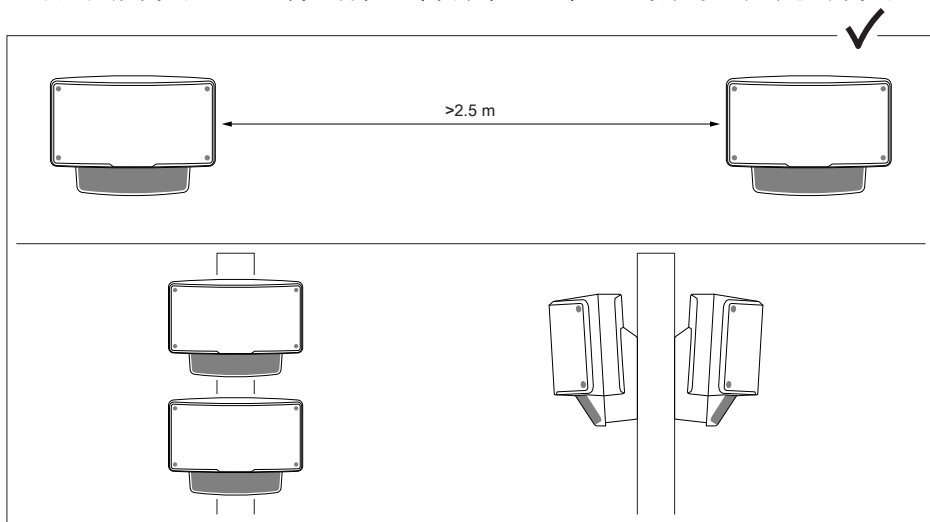
侦测器用于监控开阔区域。覆盖区域内的实体（例如一棵树或一片灌木丛）均会在侦测器后方形成一个盲点（雷达盲区）。

将侦测器安装在附近没有其他物体或装置的立杆或墙面的一个点上。

为了能够正确识别覆盖区域内的移动情况，需要将该侦测器安装在一个稳固支架上。请勿将侦测器安装在一根摇晃的立杆上。

如果两个雷达侦测器的安装距离过近，则它们可能会互相干扰。为了避免干扰，您可以选择不同的侦测器通道。要配置不同的通道，请参见[如何安装多台侦测器](#)在第165页。

为避免并排安装的雷达探测器之间的干扰，设备之间的距离应至少为 2.5 米。如果两个探测器并排但彼此成角度，例如安装在杆上时，即使它们彼此相距不超过 2.5 米也可能没有干扰。无论距离如何，一个安装在另一个之上的探测器不会造成干扰。



ZH

采用建议的安装高度时，近侦测极限为 4.5 米（15 英尺）。

如果视野范围内存在许多金属物体，则会产生大量反光，从而影响侦测器的性能。

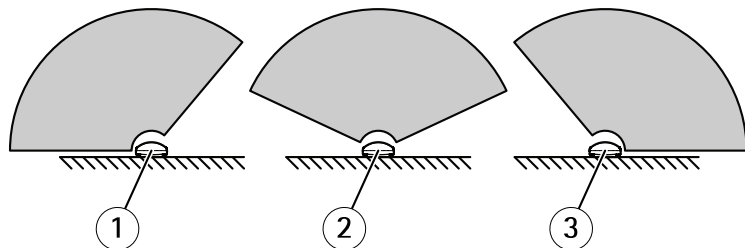
备注

请勿重新喷涂侦测器。油漆可能会严重影响侦测器的性能。

安装方向

该侦测器从其中心轴开始的覆盖角度为 $\pm 60^\circ$ 。这意味着如果您将其安装在墙壁上，则侦测器的每侧上均会存在一个盲点。

若要覆盖墙壁，则您可以将雷达模块移至侦测器内。



1 -25° 安装方向

2 0° 安装方向

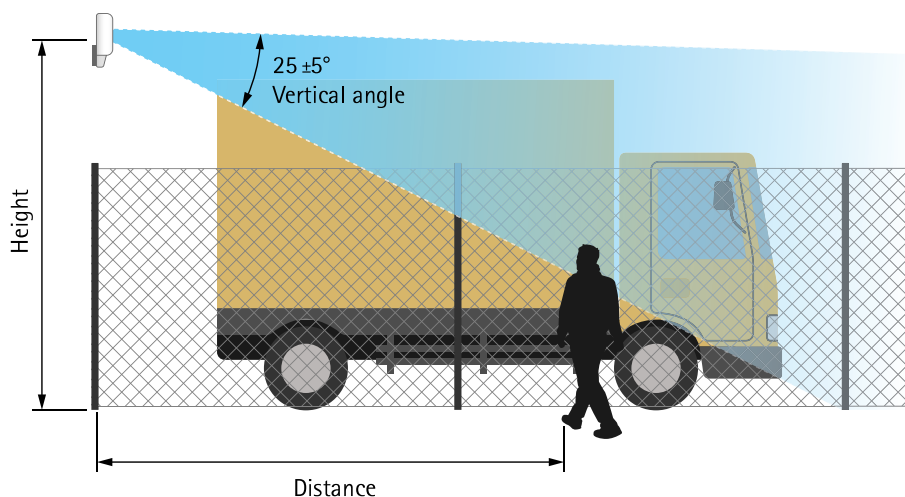
3 25° 安装方向

安装高度

为了优化性能，请将侦测器安装在地面上方 3.5 米（11 英尺）的位置。

备注

如果您将侦测器安装在其他不同高度，请在校准雷达之前先在产品网页中输入实际的安装高度。



以下表格显示了在侦测某个正在行走的 1.8 米（6 英尺）高的人时，不同安装高度处的侦测器的侦测范围。

安装高度	3.5 米 (11 英尺)	4 米 (13 英尺)	4.5 米 (15 英尺)	5 米 (16 英尺)
近侦测极限	4.5 米 (15 英尺)	6 米 (20 英尺)	7 米 (23 英尺)	8.5 米 (28 英尺)
远侦测极限 (最大值)	49 米 (161 英尺)	51 米 (167 英尺)	51 米 (167 英尺)	52 米 (171 英尺)

安装斜度

侦测器用于安装在地面上方 3.5 米。当侦测器安装在更高位置时，近侦测极限为会受损。

为了提高近侦测极限，垂直向下转动侦测器 AXIS T91R61 Wall Mount。

该表显示人进入中间侦测区域的侦测范围。

AXIS D2050-VE Network Radar Detector

	高度： 3 米	高度： 4 米	高度： 5 米	高度： 6 米	高度： 7 米	高度： 8 米
垂直转动： 0°	TBD	7.5-44.5 米	9-48.5 米	13.5-47 米	17-44 米	20.5-43 米
垂直转动： 10°	3.5-36 米	5-33.5 米	6.5-40.5 米	8.5-38 米	11-46 米	13.5-47.5 米
垂直转动： 20°	TBD	TBD	5-26 米	6.5-28 米	TBD	8-31 米

如何安装产品

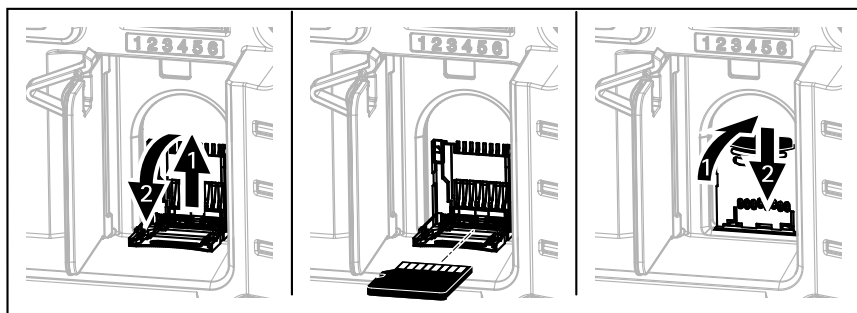
警告

触点危险。该产品应通过屏蔽网络电缆 (STP) 或使用一根接地线路来接地。如果要使用接地线路，则确保接地线路的两端分别与其接地面发生接触。

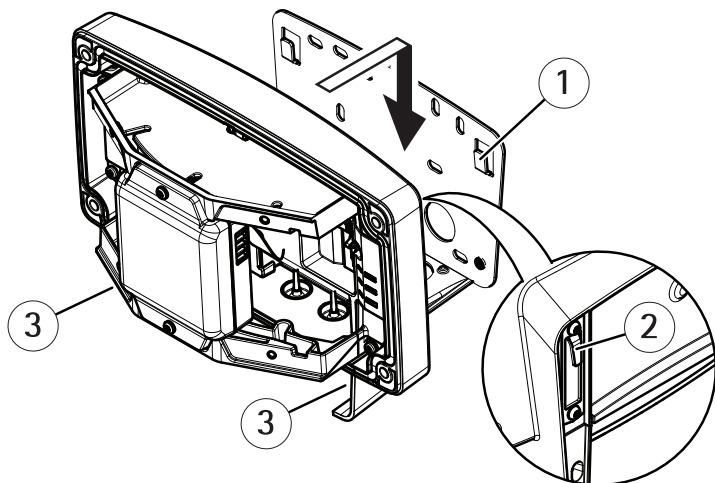
小心

请确保螺丝和塞子适用于材质（如木质、金属、干壁、石头）且材质强度足以支撑侦测器的重量。

1. 使用钻孔模板，并在钻孔前标记孔的位置。
2. 将安装支架紧固至墙壁。
3. 将网络电缆穿过安装支架。留出大约 30 厘米（12 英寸）的电缆来连接侦测器。
4. 如果要连接一个辅助装置（例如，输入/输出），则重复以上适用于特殊装置步骤。
5. 取下侦测器的前罩。
6. 如果要使用一张用于本地存储的 microSD 卡，则将卡插入侦测器的 microSD 卡槽中。

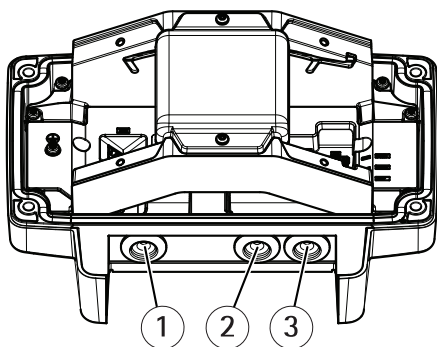


7. 使用挂钩将侦测器连接至安装支架，并使用螺丝将其固定。



- 1 挂钩, 支架侧
- 2 挂钩, 侦测器侧
- 3 螺丝 (2个)

8. 取下右侧电缆垫圈, 并拉动耳片以打开网络电缆孔。

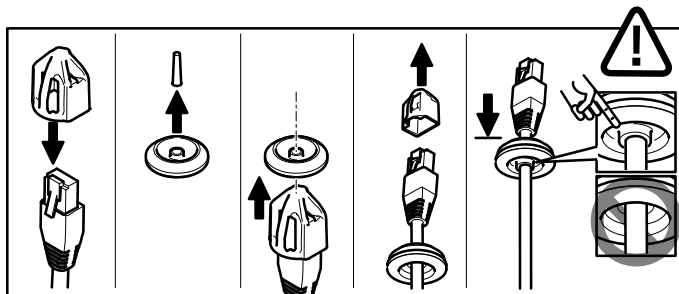


- 1 接地/继电器
- 2 输入/输出
- 3 网络

注意

- 如果使用不止一根电缆, 则必须将每根电缆都穿过各自的电缆垫圈。

- 仅在要使用的电缆垫片上开一个孔，如果垫片破损，请使用新的电缆垫片进行更换。若让电缆垫圈保持开启状态或使用一个破裂的电缆垫圈，则会导致水渗入并损坏产品。
9. 推动网络电缆，使其穿过电缆垫圈。



注意

如果该网络电缆有一个预先安装的网络连接器，则取下电缆垫圈并使用连接器防护装置以防止电缆垫圈破裂。避免使用具有带帽网络连接器的网络电缆，因为即使使用连接器防护件，它们也可能导致电缆垫片破损。

ZH

10. 轻轻回拉网络电缆，以便调整电缆垫片在电缆上的位置。

注意

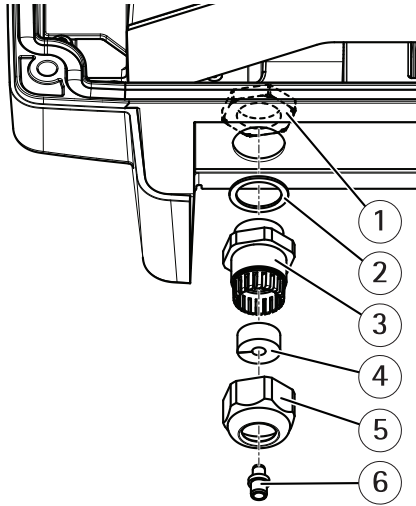
未拉回电缆会导致水渗入并损坏产品。

11. 将电缆垫圈放回原位。
12. 如果要连接一个辅助装置（例如，输入/输出），则重复以上适用于特殊装置步骤。

注意

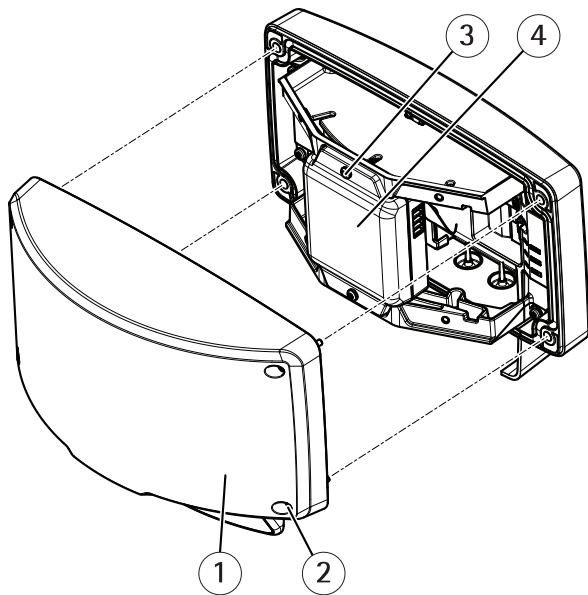
在推动电缆穿过电缆垫圈之后，请安装连接器。

13. 若要使用一个带应变消除件的电缆套管，则将其按如下所示进行装配。手动牢固拧紧螺母和盖帽。



- 1 螺母
- 2 垫圈
- 3 主体
- 4 密封
- 5 盖帽
- 6 塞子 (丢弃)

- 14. 如果要使用接地线路，则使用电缆终端套管钳将其连接至电缆终端套管。将电缆终端套管连接至接地螺丝。请确保电缆终端套管与接地面发生接触。
- 15. 将外部设备连接至侦测器。
- 16. 连接网络电缆。
- 17. 请确保 LED 指示正确状态。请参见 *LED 指示灯* 在第168页。
- 18. 如有需要，则将雷达装置移至其中一个其他安装方向，请参见 *产品安装位置* 在第155页。



- 1 前盖
- 2 螺丝 (4 个)
- 3 螺丝 (2 个)
- 4 雷达装置

19. 连接前盖并拧紧螺丝。

在网络上查找设备

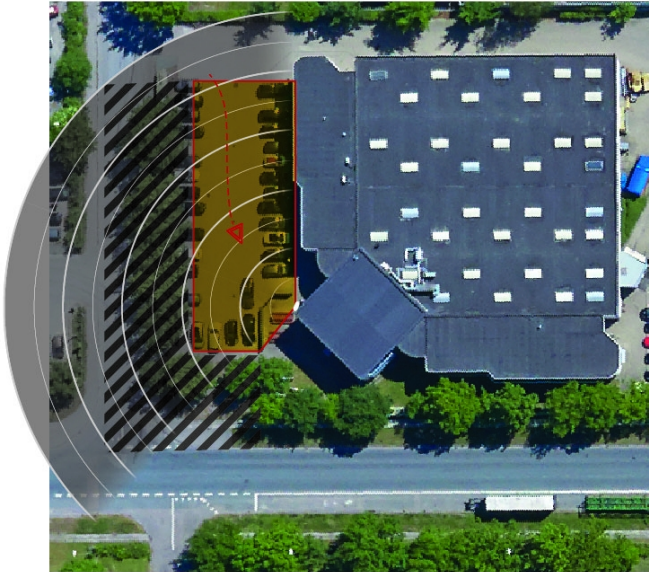
若要在网络中查找 Axis 设备并为它们分配 Windows® 中的 IP 地址，请使用 AXIS IP Utility 或 AXIS 设备管理器。这两种应用程序都是免费的，可以从 axis.com/support 上下载。

有关如何查找和分配 IP 地址的更多信息，请参阅文档如何分配一个 IP 地址和访问您的设备。

配置侦测器

一旦安装完毕，该侦测器即可使用。默认实时视图将显示雷达覆盖范围和侦测到的移动，您可以立即添加侦测区域和规则。

为了能够更加轻松地查看物体移动位置，您可以上载一份显示雷达侦测器覆盖区域的参考图（例如，一份平面图或航拍照片）。



图像要求：

- 支持的文件格式为 jpeg 和 png。
- 使用具有相同比例 (16:9) 或分辨率 (1920x1080) 的图像作为实景。如果图像较小，则应按比例放大以适应窗口。如果比例错误，则图像将不会填充整个视频流。
- 上传图像前，剪辑图像以使其尽可能紧密适应雷达的覆盖范围。
- 方向并不重要，因为在校准期间会移动雷达覆盖范围形状，以使其适应图像。

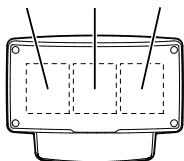
上载参考图之后，您需要校准雷达，以使实际的雷达覆盖范围符合参考图的位置、方向和范围。

有两种方法可校准参考图：

- **使用引脚进行校准：**通过在参考图的已知位置添加引脚并设置引脚间距在网页界面中进行校准。

使用引脚进行校准时，您需要选择雷达模块在侦测器内部的安装位置。

25° 0 -25°



- **使用轨迹进行校准：**该校准方法需要一个人在雷达前方移动。您可以在访问移动设备的网页接口时自己移动，或让其他人按照您的指示移动。按照不同步伐四处移动时，请移动到在参考图中容易找到的位置。

配置侦测器的方法

1. 若要上载一份参考图，请前往**设置 > 雷达 > 参考图**。选择**浏览**以查找图像文件，并选择**上载**以将图像置于实时取景中。
2. 若要校准参考图，请转到**设置 > 雷达 > 参考图校准**。选择**开始校准**并遵循说明。

ZH

如何安装多台侦测器

如果两个雷达侦测器的安装距离过近，它们可能会互相干扰。为了避免这些问题，请选择不同的侦测器频道。

1. 转到**设置 > 雷达 > 通用**并选择**频道**。

重置为出厂默认设置

重要

重置为出厂默认设置时应谨慎。重置为出厂默认设置会将全部设置（包括 IP 地址）重置为出厂默认值。

将产品重置为出厂默认设置：

1. 断开产品电源。
2. 按住控制按钮，同时重新连接电源。请参见 *产品概述* 在第 154 页。
3. 按住控制按钮 15–30 秒，直到 LED 状态指示灯呈橙色闪烁。
4. 松开控制按钮。当 LED 状态指示灯变绿时，此过程完成。产品已重置为出厂默认设置。如果网络上没有可用的 DHCP 服务器，则默认 IP 地址为 192.168.0.90。
5. 使用安装和管理软件工具分配 IP 地址、设置密码和访问视频流。
安装和管理软件工具可在 axis.com/support 的支持页上获得。

也可通过网页界面将参数重置为出厂默认设置。转到 **设置 > 系统 > 维护**，然后单击 **默认**。

更多信息

- 若要获取本文档的新版本，请参见 axis.com
- 用户手册可从 axis.com 获取
- 要检查是否有设备的可用更新固件，请参见 axis.com/support
- 如需有用的在线培训和在线研讨会，请参见 axis.com/academy

可选附件

欲查看本产品可用附件的完整列表，请转到 axis.com 上的产品页并选择“软件和附件”。

- AXIS T91R61 Wall Mount
- AXIS T91A47 Pole Mount
- AXIS T94R01B Corner Bracket

规格

LED 指示灯

LED 状态指示灯	指示
绿色	绿色常亮表示正常工作。
橙色	在启动期间稳定。在恢复设置时闪烁。

LED 网络指示灯	指示
绿色	稳定表示连接到 100 Mbit/s 网络。闪烁表示网络活动。
橙色	稳定表示连接到 10 Mbit/s 网络。闪烁表示网络活动。
不亮	没有网络连接。

LED 电源指示灯	指示
绿色	工作正常。
橙色	在固件升级过程中呈绿色/橙色闪烁。

SD 卡插槽

有关 SD 卡的建议，请参见 axis.com。

按钮

控制按钮

有关控制按钮的位置，请参见 [产品概述](#) 在第 154 页。

控制按钮用于：

- 将产品重置为出厂默认设置。请参见 [第 166 页](#)。

接口

网络连接器

采用以太网供电 增强版 (PoE+) 的 RJ45 以太网连接器。

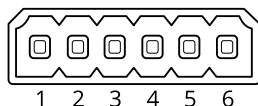
I/O 连接器

使用 I/O 连接器连接外部设备，并结合应用事件触发和报警通知等功能。除 0 V DC 参考点和电源（DC 输出）外，I/O 连接器还提供连接至以下模块的接口：

数字输入 – 用于连接可在开路和闭路之间切换的设备，例如 PIR 传感器、门/窗触点和玻璃破碎侦测器。

数字输出 – 用于连接继电器和 LED 等外部设备。已连接的设备可通过 VAPIX® 应用程序编程接口、通过事件或从产品网页进行激活。

6 针接线端子

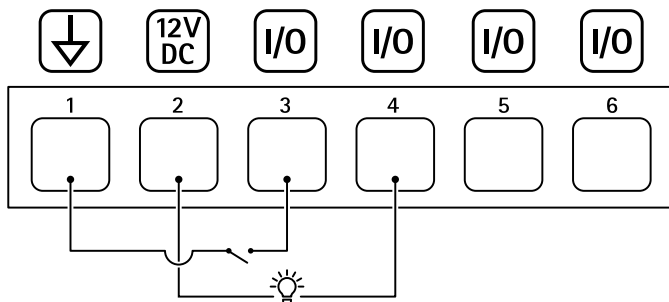


功能	针脚	注意事项	规格
DC 接地	1		0 V DC
DC 输出	2	可用于为辅助设备供电。 注意：此针脚只能用作电源输出。	12 V DC 最大负载 = 50 mA
可配置（输入或输出）	3-6	数字输入 – 连接至针 1 以启用，或保留浮动状态（断开连接）以停用。	0 至最大 30 V DC
		数字输出 – 启用时内部连接至针 1（DC 接地），停用保留浮动状态（断开连接）。如果与电感负载（如继电器）一起使用，则将二极管与负载并联连接，以防止电压瞬变。	0 至最大 30 VDC， 开漏，100 mA

ZH

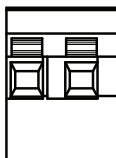
示例

AXIS D2050-VE Network Radar Detector



- 1 DC 接地
- 2 DC 输出 12 V, 最大 50 mA
- 3 I/O 配置为输入
- 4 I/O 配置为输出
- 5 可配置的 I/O
- 6 可配置的 I/O

中继连接器



小心

使用用于中继连接器的单芯电线。

功能	规格
类型	正常开启
额定电压	24 V DC
最大电流	5 A
与其他电路绝缘	2.5 kV
电气寿命	24 V DC, 在 +70° C (158° F) 下可运行 25000 次

工作条件

产品	分类	温度	湿度
AXIS D2050-VE	IEC 60529 IP66 NEMA 250 型 4X	-40 ° C 至 60 ° C (-40 ° F 至 140 ° F)	10-100% RH (冷凝)

功耗

注意

使用一个额定输出功率限制在 ≤ 100 W 或额定输出电流限制在 ≤ 5 A 的安全超低电压 (SELV) 兼容式限功率电源 (LPS)。

产品	以太网供电	功率
AXIS D2050-VE	IEEE 802.3at, 2 型 4 类	标准功率 9 W 最大功率 15 W

安全信息

危险等级

▲危险

表示如果不避免则会导致死亡或严重伤害的危险情况。

▲警告

表示如果不避免则可能导致死亡或严重伤害的危险情况。

▲小心

表示如果不避免则可能导致轻微或中度伤害的危险情况。

注意

表示如果不避免则可能导致财产损失的情况。

其他消息等级

重要

表示产品正常工作所必需的重要信息。

备注

表示有助于充分利用产品的有用信息。

安全说明

⚠危险

电击风险。在安装或执行产品维护之前，电缆应断电。

⚠警告

安讯士产品应由受过培训的专业人员进行安装，并遵守当地法律和法规。

⚠小心

请小心锋利的金属边缘。请在安装期间使用防割手套。

注意

- 使用 Axis 产品时应遵守当地法律和法规。
- 安讯士推荐使用屏蔽网络电缆 (STP)。
- 安讯士建议使用类别 CAT5e 或更高级别的网线。
- 在干燥通风的环境中存放安讯士产品。
- 避免将安讯士产品暴露在冲击或高压环境下。
- 避免将安讯士产品暴露在振动环境下。
- 请勿将产品安装在不稳固的立杆、支架、表面或墙壁上。
- 请勿将本产品安装在振动的立杆、支架、表面或墙壁上。
- 安装安讯士产品时，仅使用适用的工具。使用电动工具过度施力可能导致产品损坏。
- 请勿使用化学品、腐蚀剂或气雾剂。
- 使用蘸纯净水的干净布进行清洁。
- 仅使用符合产品技术规格的附件。这些附件可由安讯士或第三方提供。安讯士推荐使用与产品兼容的安讯士电源设备。
- 仅使用安讯士提供或推荐的备件。
- 请勿尝试自行维修产品。有关服务事项，请联系安讯士支持部门或安讯士经销商。

运输

注意

- 安讯士产品运输途中，应使用其原包装或等效包装，以防对产品造成损坏。

电池

⚠小心

请勿自行更换电池。如果日志消息要求更换电池，请联系安讯士支持部门。

AXIS D2050-VE Network Radar Detector

3.0 V 纽扣锂电池内含 1,2-二甲氧基乙烷；乙二醇二甲醚 (EGDME)，CAS 编号为 110-71-4。

