

INSTALLATION GUIDE

Axis Thermal Network Camera Accessories and Spare parts

ENGLISH

FRANÇAIS

DEUTSCH

ITALIANO

ESPAÑOL

Legal Considerations

Video and audio surveillance can be prohibited by laws that vary from country to country. Check the laws in your local region before using this product for surveillance purposes. This product includes one (1) H.264 decoder license. To purchase further licenses, contact your reseller.

Trademark Acknowledgments

Apple, Boa, Bonjour, Ethernet, Internet Explorer, Linux, Microsoft, Mozilla, Real, SMPTE, QuickTime, UNIX, Windows, Windows Vista and WWW are registered trademarks of the respective holders. Java and all Java-based trademarks and logos are trademarks or registered trademarks of Oracle and/or its affiliates. UPnP™ is a certification mark of the UPnP™ Implementers Corporation.

Electromagnetic Compatibility (EMC)


This equipment has been designed and tested to fulfill applicable standards for:

- Radio frequency emission when installed according to the instructions and used in its intended environment.
- Immunity to electrical and electromagnetic phenomena when installed according to the instructions and used in its intended environment.

USA – Depending on the characteristics of the electrical environment, using shielded cables (STP) may be appropriate, in which case the following is applicable: This equipment has been tested using shielded cables (STP) and found to comply with the limits for a Class B digital device, pursuant to part 15 of the FCC Rules. These limits are designed to provide reasonable protection against harmful interference in a residential installation. This equipment generates, uses and can radiate radio frequency energy and, if not installed and used in accordance with the instructions, may cause harmful interference to radio communications. However, there is no guarantee that interference will not occur in a particular installation. If this equipment does cause harmful interference to radio or television reception, which can be determined by turning the equipment off and on, the user is encouraged to try to correct the interference by one or more of the following measures:

- Reorient or relocate the receiving antenna.
- Increase the separation between the equipment and receiver.
- Connect the equipment into an outlet on a circuit different from that to which the receiver is connected.
- Consult the dealer or an experienced radio/TV technician for help.

Canada – This Class B digital apparatus complies with Canadian ICES-003.

Europe –  This digital equipment fulfills the requirements for RF emission according to the Class B limit of EN 55022. This product fulfills the requirements for emissions and immunity according to EN 50121-4 railway applications. This product fulfills the requirements for immunity according to EN 61000-6-1 residential, commercial and light-industry environments. This product fulfills the requirements for immunity according to EN 61000-6-2 industrial environments. This product fulfills the requirements for immunity according to EN 55024 office and commercial environments.

Australia – This digital equipment fulfills the requirements for RF emission according to the Class B limit of AS/NZS CISPR 22.

Japan – この装置は、クラスB 情報技術装置です。この装置は、家庭環境で使用することを目的としていますが、この装置がラジオやテレビジョン受信機に近接して使用されると、受信障害を引き起こすことがあります。取扱説明書に従って正しい取り扱いをして下さい。

Korea – 이 기기는 가정용(B급) 전자파 적합 기기로서 주로 가정에서 사용하는 것을 목적으로 하며, 모든 지역에서 사용할 수 있습니다.

Safety

The power supply used with this product shall fulfill the requirements for Safety Extra Low Voltage and Limited Power Source according to EN/IEC/UL 60950-1. This product complies to EN/IEC 60950-1 and EN/IEC 60950-22, Safety of Information Technology Equipment.

Equipment Modifications

This equipment must be installed and used in strict accordance with the instructions given in the user documentation. This equipment contains no user-serviceable components. Unauthorized equipment changes or modifications will invalidate all applicable regulatory certifications and approvals.

Liability

Every care has been taken in the preparation of this document. Please inform your local Axis office of any inaccuracies or omissions. Axis Communications AB cannot be held responsible for any technical or typographical errors and reserves the right to make changes to the product and documentation without prior notice. Axis Communications AB makes no warranty of any kind with regard to the material contained within this document, including, but not limited to, the implied warranties of merchantability and fitness for a particular purpose. Axis Communications AB shall not be liable nor responsible for incidental or consequential damages in connection with the furnishing, performance or use of this material. This product is only to be used for its intended purpose.

RoHS

This product complies with both the European RoHS directive, 2002/95/EC, and the Chinese RoHS regulations, ACPEIP.



WEEE Directive

The European Union has enacted a Directive 2002/96/EC on Waste Electrical and Electronic Equipment (WEEE Directive). This directive is applicable in the European Union member states. The WEEE marking on this product (see right) or its documentation indicates that the product must not be disposed of together with household waste. To prevent possible harm to human health and/or the environment, the product must be disposed of in an approved and environmentally safe recycling process. For further information on how to dispose of this product correctly, contact the product supplier, or the local authority responsible for waste disposal in your area. Business users should contact the product supplier for information on how to dispose of this product correctly. This product should not be mixed with other commercial waste.



Support

Should you require any technical assistance, please contact your Axis reseller. If your questions cannot be answered immediately, your reseller will forward your queries through the appropriate channels to ensure a rapid response. If you are connected to the Internet, you can:

- download user documentation and firmware updates
- find answers to resolved problems in the FAQ database. Search by product, category, or phrases
- report problems to Axis support by logging in to your private support area

Safeguards

Please read through this Installation Guide carefully before installing the product. Keep the Installation Guide for further reference.

CAUTION!

- When transporting the Axis product, use the original packaging or equivalent to prevent damage to the product.
- Store the Axis product in a dry and ventilated environment. Keep the storage and operating temperature within the limits stated in the User Manual available on the CD included in this package, or from www.axis.com
- Avoid exposing the Axis product to vibration, shocks or heavy pressure and do not install the product on unstable brackets, unstable or vibrating surfaces or walls, since this could cause damage to the product.
- Only use handtools when installing the Axis product, the use of electrical tools or excessive force could cause damage to the product.
- Do not aim the camera lens toward the sun or other high-intensity radiation sources since this could cause damage to the sensor.
- Do not use chemicals, caustic agents, or aerosol cleaners. Use a damp cloth for cleaning.
- Use only accessories that comply with technical specification of the product. These can be provided by Axis or a third party.
- Use only spare parts provided by or recommended by Axis.
- Do not attempt to repair the product by yourself, contact Axis or your Axis reseller for service matters.

IMPORTANT!

- This Axis product must be used in compliance with local laws and regulations.
- To use Axis indoor products outdoors, they must be installed in an approved outdoor housing.
- Do not install the camera near heat sources since fluctuating temperatures may affect image quality.
- The Axis product should be installed by a trained professional. Please observe relevant national and local regulations for the installation.

Axis Thermal Camera Accessories and Spare Parts Installation Guide

This Installation Guide provides instructions for installing and replacing accessories and spare parts for AXIS Q1921/-E/Q1922/-E, including AXIS T92E23/T92E24 Thermal Camera Housing.

To install the camera on the network, please see the Installation Guide provided with the camera. For other details about the camera, see the User Manual, available from www.axis.com

Installation steps

1. Check the package contents against the list below.
2. Hardware overview. See page 6.
- 3a. Replace the lens. See page 8.
- 3b. Install the housing. See page 11.
- 3c. Replace the protective window. See page 13.

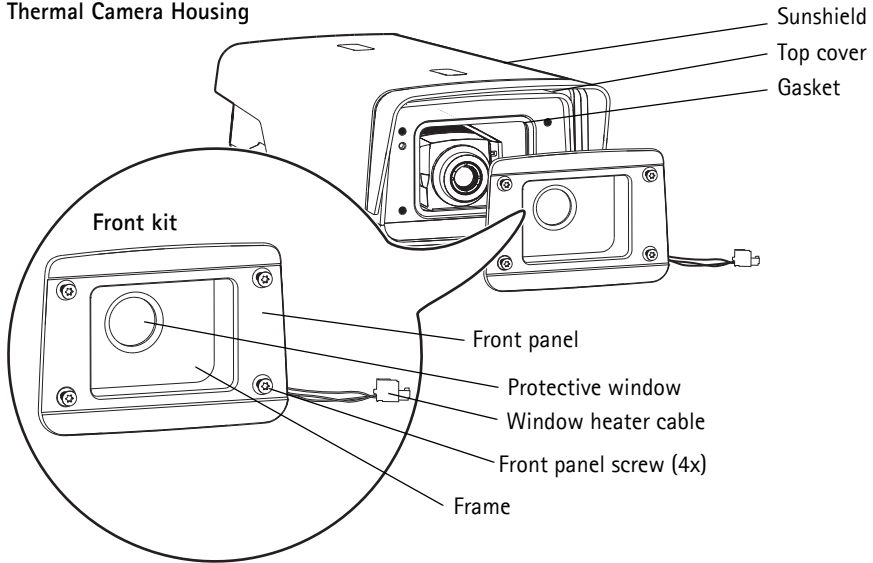
1 Package contents

The package contents vary depending on accessories and spare parts.

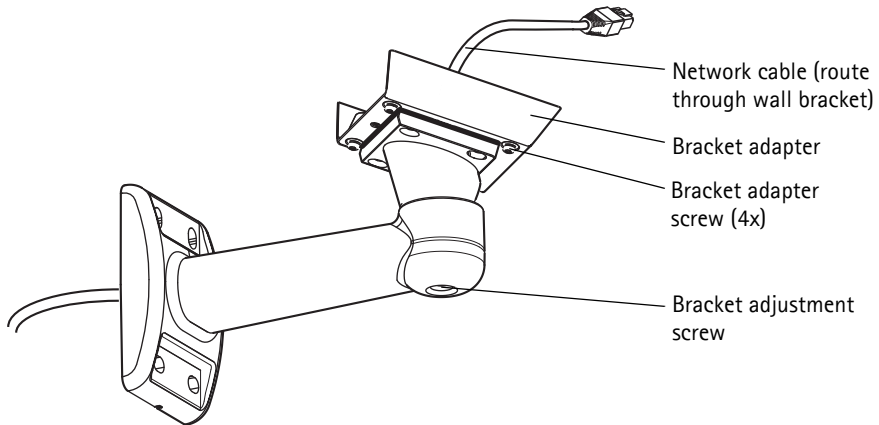
Item	Models/variants/notes
Lens	10 mm/19 mm/35 mm/60 mm
Housing	AXIS T92E23/T92E24 Thermal Camera Housing Wall bracket Torx T20 screwdriver Allen key Camera screw and washer
Front kit	Front panel Frame with premounted protective window and window heater cable Front panel screw (4x)
Printed materials	Axis Thermal Camera Accessories and Spare Parts Installation Guide (this document) Drill template Axis Warranty document

2 Hardware overview

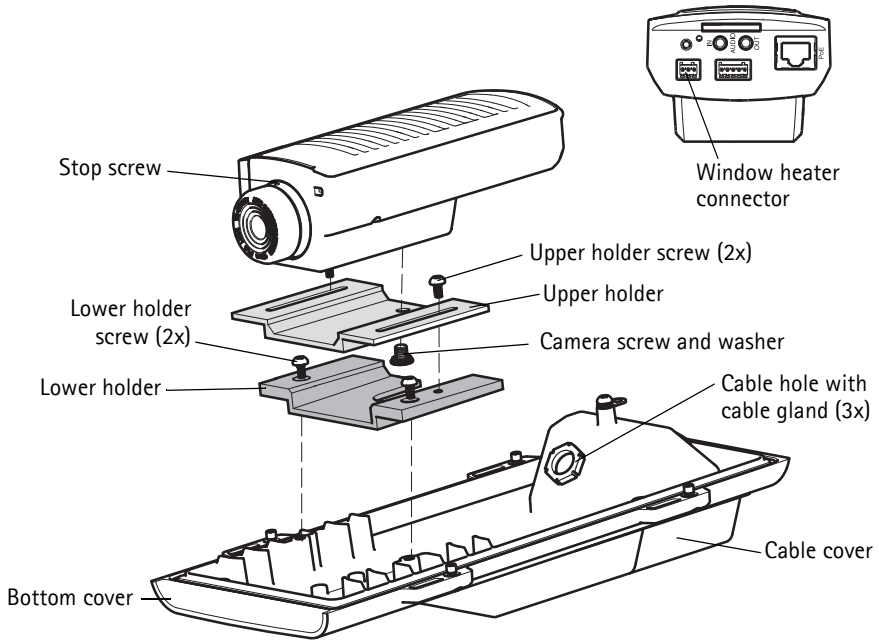
Thermal Camera Housing



Wall bracket



Camera mount



3a Replace the lens

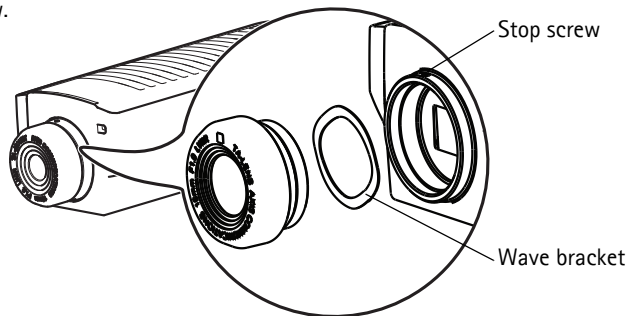
The instructions below describe how to replace the camera lens. For information on available lens options, go to www.axis.com or contact your Axis reseller.

Outdoor cameras

1. Remove the top cover.
2. Disconnect the window heater cable from the window heater connector on the camera.
3. Refer to the instructions in *Indoor/outdoor cameras*, below.

Indoor/outdoor cameras

1. Disconnect the network cable.
2. Loosen the stop screw.



3. Unscrew the lens by turning it counter-clockwise.
Note: Make sure the wave bracket behind the lens stays in place.
4. Install the replacement lens by turning it clockwise.
5. Connect the network cable.
6. Open the Live View page of the network camera and go to **Setup > System Options > Advanced > Plain config**.
7. Select **ImageSource** in the drop-down list and click **Select group**.
8. Select the matching lens option in the **ImageSource IO Lens** drop-down list.
9. Focus the camera to the appropriate distance. See the table below for recommended focus distances for achieving optimal focus both for near focus and infinity.

Lens	10 mm	19 mm	35 mm	60 mm
Focus distance AXIS Q1921/-E	2 m (6.6 ft.)	8 m (26.2 ft.)	22 m (72.2 ft.)	60 m (196.9 ft.)
AXIS Q1922/-E	3 m (10 ft.)	10 m (33 ft.)	33 m (108 ft.)	90 m (296 ft.)

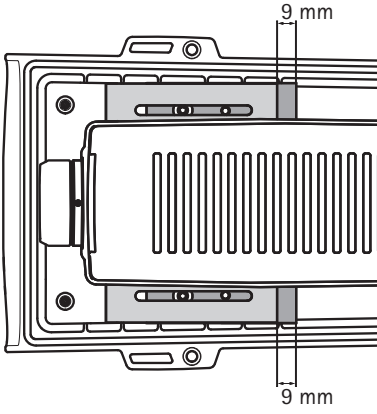
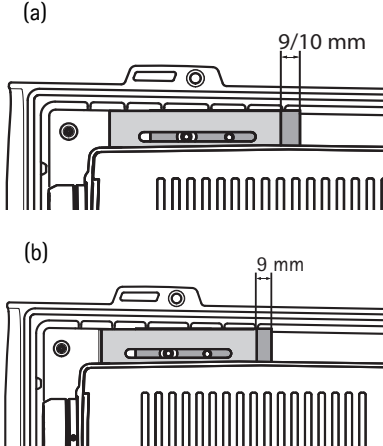
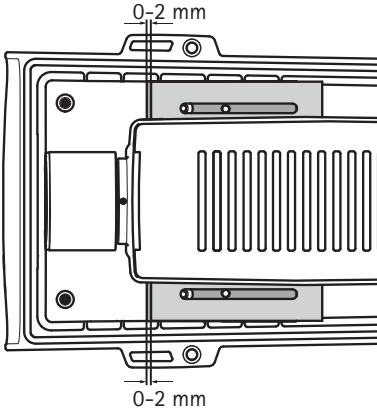
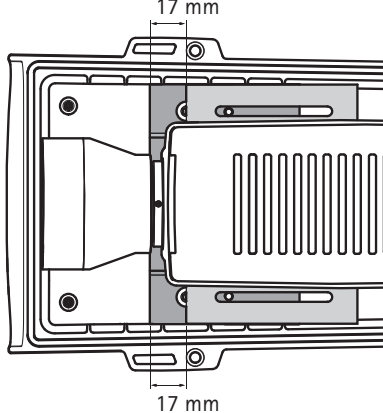
10. Secure the stop screw.

Notes:

- Hold the lens gently by the metal ring; do not touch the lens surface.
- Be careful not to get dust on the sensor while exchanging the lens.

Adjust the holder distance

1. Loosen the upper holder screws.
2. Adjust the distance between the upper and lower holder according to the table below.

Lens	10 mm	19 mm (a) AXIS Q1921/-E (b) AXIS Q1922/-E
Holder distance		
Lens	35 mm	60 mm
Holder distance		

Note: Measure the holder distance on both sides of the camera to make sure the camera and

holders are mounted parallel to each other.

3. Tighten the screws.

3b Install the housing

The instructions below describe how to install an indoor thermal network camera in a housing, see www.axis.com for information on outdoor housings and other accessories.

Install the camera in the housing

1. Remove the upper holder, see illustration on page 7.
2. Secure the camera to the upper holder with the screw and washer.
3. Fit the upper holder on the lower holder and adjust the distance between holders according to the table in *Adjust the holder distance*, on page 9.
4. Tighten the screws to 2 Nm. Be careful not to overtighten the screws.
5. Connect the window heater cable to the window heater connector on the camera, see illustrations on page 6 and page 7.
6. Optionally insert an SD card (not included) into the SDHC (Secure Digital High Capacity) card slot. A standard or high capacity SD card is required to store images locally in the camera.

Install the wall bracket

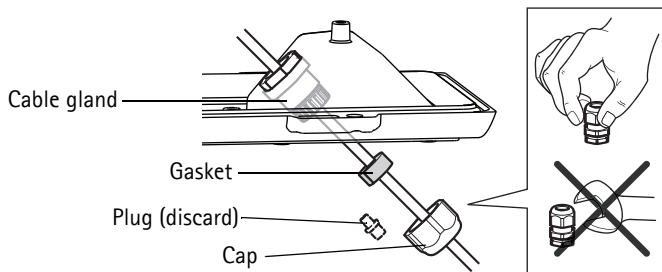
1. Use the supplied drill template to prepare a wall for installation of the wall bracket.
2. Route the network cable through the wall bracket and the bracket adapter. Leave approximately 30 cm (11.8") of cable for connecting the camera.
3. Install the wall bracket on a wall and make sure that the screws and plugs are appropriate for the material (e.g. wood, metal, sheet rock, stone).

Notes:

- Check that the material is strong enough to support the weight of the camera.
- For more technical specifications, please see the camera's User Manual, available from www.axis.com

Route the network cable through the cable hole

1. Loosen the cable cover screws; detach the cable cover from the bottom cover.



2. Remove the cap, the plug and the gasket from the cable gland that is to be used.
3. Route the network cable through the cap.

4. Slide the network cable through the slit on the gasket to attach the gasket to the network cable.
5. Route the network cable through the cable gland.
6. Press the gasket into the cable gland and screw the cap on firmly.

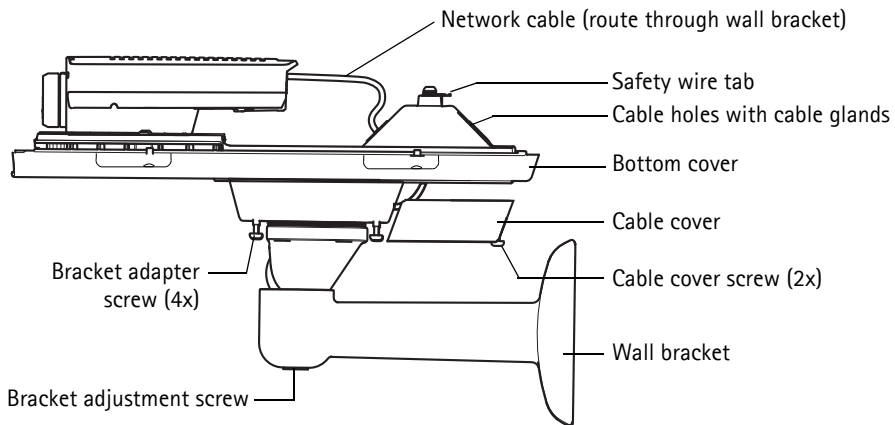
Notes:

- Using any other than the provided cable gland may cause water to seep in and damage the product. Cables must have a diameter of 4.0 mm - 5.5 mm.
- Due to local regulations or the environmental and electrical conditions in which the product is to be used, a shielded network cable (STP) may be appropriate or required. Any network cables that are routed in outdoor environments or similar shall be shielded (STP) and intended for their specific use. Make sure the network switch is properly grounded. See *Electromagnetic Compatibility (EMC)* for regulatory requirements.

Attach the camera to the wall bracket

1. Place the camera with the bottom cover on the bracket and tighten the bracket adapter screws.
2. Replace the cable cover and tighten the screws.
3. Connect the camera to the network.

Note: If more than one cable is used, for external input/output devices for example, each cable must be routed through a separate cable gland, see *Route the network cable through the cable hole*.



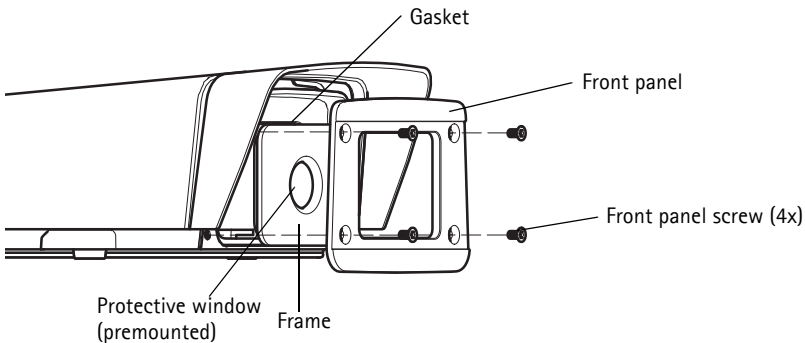
4. Loosen the bracket adjustment screw to aim the camera to the point of interest and focus the camera if required. If the lens has been changed, the camera's image source has to be updated. See *Indoor/outdoor cameras*, on page 8. See the Installation Guide provided with the camera for information on how to access the video stream.
5. Attach the safety wire to the tab on the bottom cover.
6. Attach the top cover to the bottom cover. Make sure to tighten diagonally opposite bottom cover screws a few turns at a time until all are tight. This will help ensure that the bottom cover gasket is compressed evenly.
7. Loosen the sunshield adjustment screws and adjust the sunshield to the desired position.

3c Replace the protective window

The instructions below describe how to replace the protective window. Use the appropriate size of front kit for the lens.

Lens	Front kit, including front panel and frame with premounted protective window
10 mm	Medium (38 mm germanium window)
19 mm	Medium (38 mm germanium window)
35 mm	Medium (38 mm germanium window)
60 mm	Large (64 mm germanium window)

1. Remove the top cover.
2. Disconnect the window heater cable from the window heater connector on the camera.
3. Loosen the 4 front panel screws and remove the front panel and the frame.



4. Replace the gasket.
5. Carefully attach the replacement frame to the housing so that the window heater connector is in the lower right corner, see front panel illustration on page 6.
Note: Do not touch the window, only touch the frame.
6. Install the front panel.
Note: Use the provided large front panel and the longer screws when installing the large protective window.
7. Connect the window heater cable to the window heater connector on the camera, see illustration on page 7.
8. Attach the safety wire to the tab on the bottom cover.
9. Attach the top cover to the bottom cover. Make sure to tighten diagonally opposite bottom cover screws a few turns at a time until all are tight. This will help ensure that the bottom cover gasket is compressed evenly.
10. Loosen the sunshield adjustment screws and adjust the sunshield to the desired position.

Further information

See the Installation Guide provided with the camera for information on how to connect external devices, assign an IP address, set the password and access the video stream. The camera's Installation Guide is also available from the Axis Web site at www.axis.com

Learn more!

Visit Axis learning center www.axis.com/academy for useful trainings, webinars, tutorials and guides.

Mesures de sécurité

Lisez attentivement ce guide d'installation avant d'installer le produit. Conservez le guide d'installation pour une utilisation ultérieure.

ATTENTION!

- Pour éviter d'endommager le produit Axis, utilisez l'emballage d'origine ou un équivalent pour le transporter.
- Stockez le produit Axis dans un environnement sec et aéré. Gardez les températures de stockage et d'utilisation dans les limites spécifiées dans le manuel de l'utilisateur disponible sur le CD inclus ou sur www.axis.com
- Évitez d'exposer le produit Axis à des vibrations, des chocs ou une trop forte pression et ne l'installez pas sur des supports instables ou sur des surfaces ou des murs instables ou vibrants. Cela risque de l'endommager.
- Utilisez uniquement des outils à main pour installer le produit Axis car l'utilisation d'outils électriques ou l'usage excessif de la force pourraient l'endommager.
- Évitez d'exposer l'objectif de la caméra au soleil ou à toute autre source de radiation de haute intensité. Cela risque d'endommager le capteur.
- Pour le nettoyage, n'utilisez ni produits chimiques, ni substances caustiques ou aérosols. Utilisez un chiffon humide pour le nettoyage.
- N'utilisez que des accessoires conformes aux caractéristiques techniques du produit. Ceux-ci peuvent être fournis par Axis ou par un fournisseur tiers.
- Utilisez uniquement des pièces de rechange fournies ou recommandées par Axis.
- Ne tentez pas de réparer le produit vous-même, contactez Axis ou votre revendeur Axis pour toute réparation.

IMPORTANT!

- Ce produit Axis doit être utilisé conformément aux lois et réglementations locales en vigueur.
- Pour pouvoir utiliser à l'extérieur des produits Axis prévus pour un usage intérieur, il faut les placer dans un boîtier d'extérieur homologué.
- N'installez pas la caméra à proximité de sources de chaleur puisque les variations de température peuvent nuire à la qualité de l'image.
- Le produit Axis doit être installé par un professionnel qualifié. Veuillez respecter les réglementations nationales et locales concernant l'installation.

Caméra thermique Axis

Accessoires et pièces de rechange

Guide d'installation

Ce guide d'installation contient les instructions relatives à l'installation et au remplacement des accessoires et pièces de rechange de AXIS Q1921/-E/Q1922/-E, et notamment Caisson de caméra thermique AXIS T92E23/T92E24.

Pour installer la caméra sur le réseau, consultez le guide d'installation fourni avec la caméra. Pour obtenir de plus amples détails relatifs à la caméra, consultez le manuel de l'utilisateur, disponible sur le site www.axis.com

Étapes d'installation

1. Vérification du contenu de l'emballage par rapport à la liste ci-dessous.
2. Aperçu du matériel. Reportez-vous à la page 18.
- 3a. Remplacer l'objectif. Reportez-vous à la page 20.
- 3b. Installer le boîtier. Reportez-vous à la page 23.
- 3c. Remplacer la fenêtre de protection. Reportez-vous à la page 26.

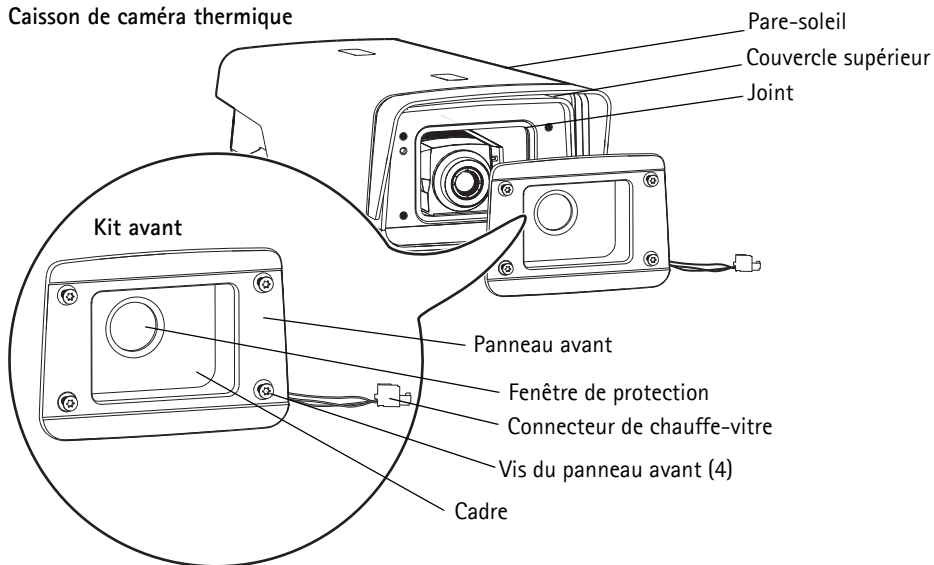
1 Contenu de l'emballage

Le contenu de l'emballage varie en fonction des accessoires et des pièces de rechange.

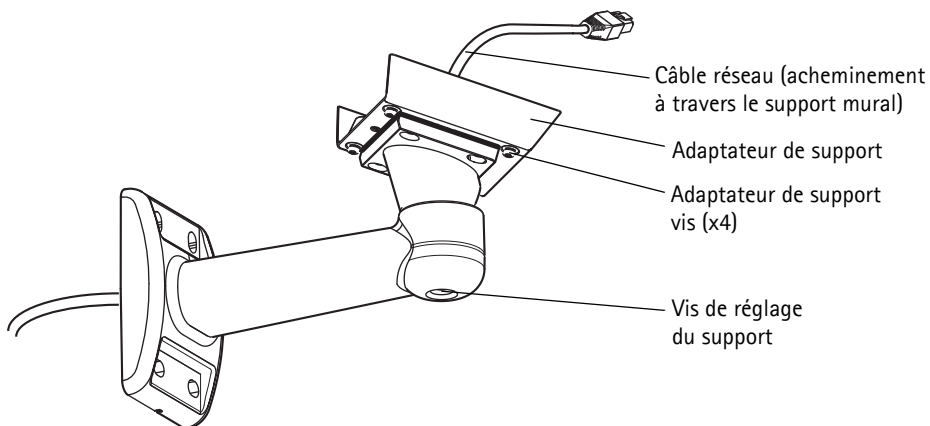
Élément	Modèles/variantes/remarques
Objectif	10 mm/19 mm/35 mm/60 mm
Caisson	Caisson de caméra thermique AXIS T92E23/T92E24 Support mural Tournevis Torx T20 Clé hexagonale Vis et rondelle de la caméra
Kit avant	Panneau avant Cadre équipé d'une fenêtre de protection préalablement montée et d'un câble de chauffe-vitre Vis du panneau avant (4)
Documentation imprimée	Accessoires et pièces de rechange pour caméra thermique Axis Guide d'installation (le présent document) Gabarit de perçage Document de garantie d'Axis

2 Vue d'ensemble du matériel

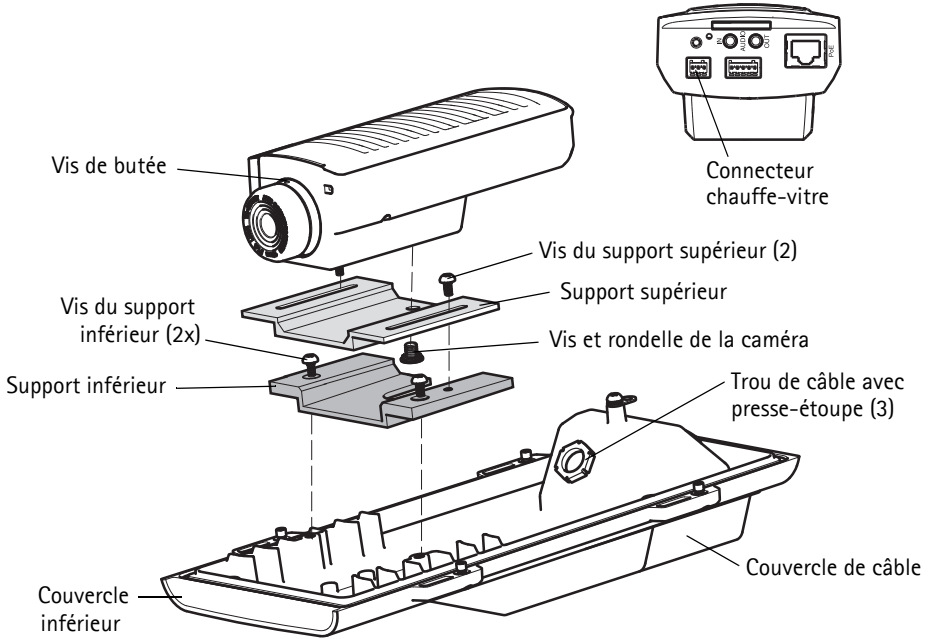
Caisson de caméra thermique



Support mural



Montage de la caméra



3a Remplacer l'objectif

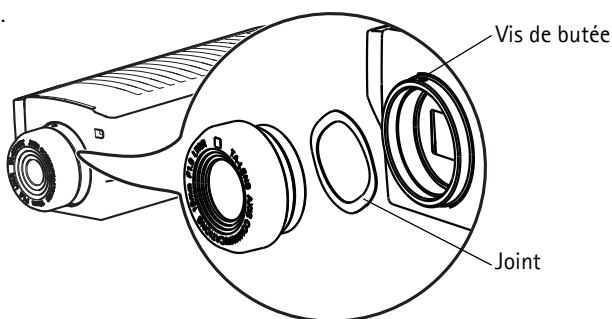
Les instructions ci-après expliquent le remplacement de l'objectif de la caméra. Pour obtenir de plus amples informations concernant les options d'objectif disponibles, consultez le site www.axis.com ou contactez votre revendeur Axis.

Caméras extérieures

1. Retirez le couvercle supérieur.
2. Déconnectez le câble du chauffe-vitre au niveau du connecteur du chauffe-vitre sur la caméra.
3. Reportez-vous aux instructions de la section *Caméras pour l'intérieur/l'extérieur* ci-après.

Caméras pour l'intérieur/l'extérieur

1. Débranchez le câble réseau.
2. Dévissez la vis de butée.



3. Dévissez l'objectif en tournant ce dernier dans le sens inverse des aiguilles d'une montre.
Remarque : Assurez-vous que le joint qui se trouve à l'arrière de l'objectif reste en place.
4. Fixez l'objectif de rechange en le tournant dans le sens des aiguilles d'une montre.
5. Branchez le câble réseau.
6. Ouvrez la page Live View de la caméra réseau et accédez à **Setup (Configuration) > System Options (Options système) > Advanced (Avancé) > Plain config (Configuration simple)**.
7. Sélectionnez **ImageSource** dans la liste locale, puis cliquez sur **Select group (Sélectionner le groupe)**.
8. Dans la liste locale **ImageSource IO Lens (Objectif ImageSource E/S)**, sélectionnez l'option d'objectif correspondante.

9. Procédez à la mise au point de la caméra à la distance requise. Consultez le tableau ci-après pour les distances de mise au point recommandées, afin d'obtenir la mise au point optimale autant pour la mise au point approximative que pour la mise au point fixe.

Objectif	10 mm	19 mm	35 mm	60 mm
Distance de mise au point AXIS Q1921/-E	2 m (6.6 ft.)	8 m (26.2 ft.)	22 m (72.2 ft.)	60 m (196.9 ft.)
AXIS Q1922/-E	3 m (10 ft.)	10 m (33 ft.)	33 m (108 ft.)	90 m (296 ft.)

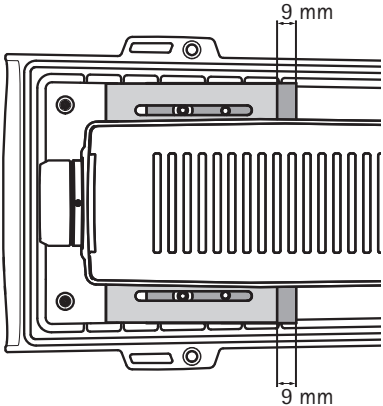
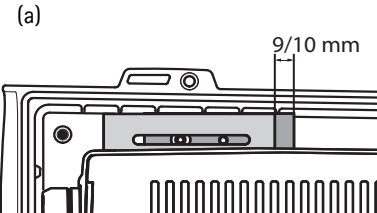
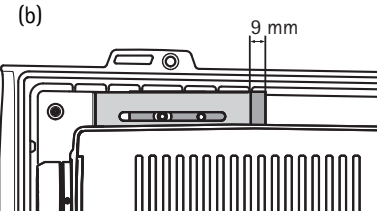
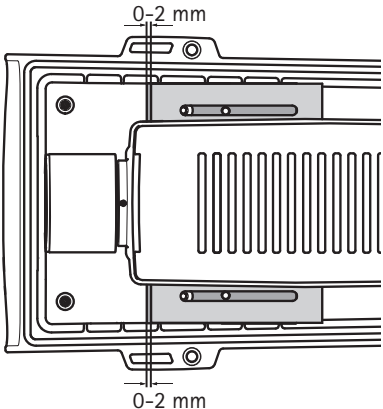
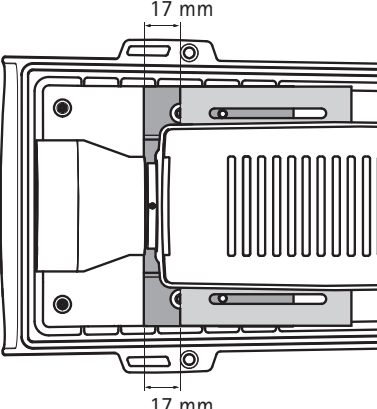
10. Fixez la vis de butée.

Remarques :

- Tenez délicatement l'objectif par l'anneau métallique. Ne touchez pas à la surface de l'objectif.
- Prenez soin de ne pas mettre le capteur en contact avec de la poussière pendant que vous changez l'objectif.

Régler la distance du porte-objectif

- Dévissez les vis du support supérieur.
- Réglez la distance entre le support supérieur et inférieur, conformément au tableau ci-après.

Objectif	10 mm	19 mm (a) AXIS Q1921/-E (b) AXIS Q1922/-E
Distance du porte-objectif		 
Objectif	35 mm	60 mm
Distance du porte-objectif		

Remarque : Mesurez la distance du porte-objectif des deux côtés de la caméra afin de vous assurer que la caméra et les porte-objectifs soient montés parallèlement.

- Serrez les vis.

3b Installer le boîtier

Les instructions ci-après expliquent l'installation d'une caméra réseau thermique intérieure dans un caisson. Pour obtenir de plus amples informations relatives aux caissons et autres accessoires de caméras extérieures, consultez le site www.axis.com.

Installation de la caméra dans le caisson

1. Retirez le support supérieur. Voir illustration à la page 19.
2. Fixez la caméra et le support supérieur à l'aide des vis et des rondelles.
3. Positionnez le support supérieur sur le support inférieur, puis réglez la distance entre les supports, conformément au tableau de la section *Régler la distance du porte-objectif*, à la page 22.
4. Serrez les vis à 2 Nm. Veillez à ne pas trop les serrer.
5. Raccordez le câble du chauffe-vitre au connecteur du chauffe-vitre sur la caméra. Voir les illustrations de la page page 18 et page 19.
6. Si vous le souhaitez, insérez une carte SD (non fournie) dans le logement de carte SDHC (Secure Digital High Capacity). Une carte SD standard ou haute capacité est requise pour stocker des images en local sur la caméra.

Installation du support mural

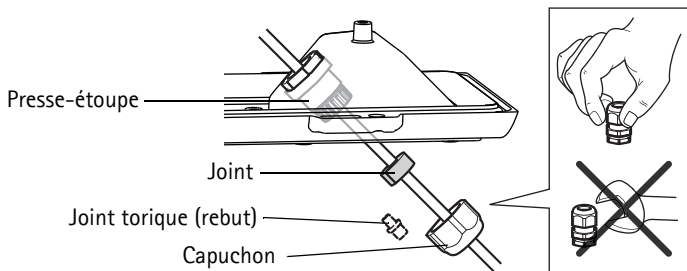
1. Préparez le mur de montage pour installer le support mural à l'aide du gabarit de perçage fourni.
2. Acheminez le câble réseau en le faisant passer au travers du support mural et de l'adaptateur du support. Laissez environ 30 cm de câble pour la connexion de la caméra.
3. Fixez le support mural au mur et assurez-vous que les vis et les fiches sont adaptées au matériau (par exemple bois, métal, carton-plâtre, pierre).

Remarques :

- Assurez-vous que le matériau est suffisamment solide pour supporter le poids de la caméra.
- Pour en savoir plus sur les spécifications techniques de la caméra, consultez le manuel de l'utilisateur, disponible sur le site www.axis.com.

Acheminez le câble réseau à travers le trou prévu pour le passage du câble

1. Desserrez les vis du couvercle de câble pour pouvoir le détacher du couvercle inférieur.



2. Retirez le capuchon, le bouchon et le joint du presse-étoupe à utiliser.
3. Acheminez le câble réseau dans le capuchon.
4. Insérez le câble réseau dans la fente du joint afin de fixer le joint au câble réseau.
5. Acheminez le câble réseau à travers le presse-étoupe.
6. Enfoncez le joint dans le presse-étoupe et vissez le capuchon fermement.

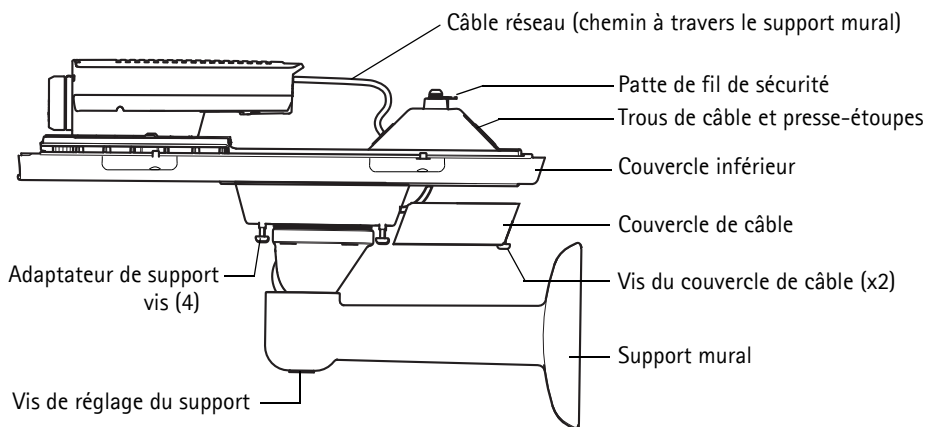
Remarques :

- L'utilisation d'un presse-étoupe autre que celui fourni risque d'entraîner une infiltration d'eau et d'endommager le produit. Les câbles doivent avoir un diamètre de 4,0 mm - 5,5 mm.
- Conformément aux réglementations locales et étant donné les conditions électriques et environnementales dans lesquelles le produit doit être utilisé, un câble réseau blindé (STP) peut convenir, voire être obligatoire. Les câbles réseau acheminés dans des environnements extérieurs ou similaires doivent être blindés (STP) et conçus pour cet usage spécifique. Assurez-vous que le commutateur réseau est correctement mis à la terre. Pour consulter les réglementations correspondantes, reportez-vous à la *Electromagnetic Compatibility (EMC)*

Fixation de la caméra au support mural

1. Disposez la caméra avec le couvercle inférieur sur le support et serrez les vis de l'adaptateur de support.
2. Remplacez le couvercle de câble, puis serrez les vis.
3. Connectez la caméra au réseau.

Remarque : Si vous utilisez plus d'un câble, par exemple pour les périphériques externes d'entrée/de sortie, chaque câble doit être acheminé au travers d'un presse-étoupe distinct. Pour cela reportez-vous à *Acheminez le câble réseau à travers le trou prévu pour le passage du câble*.



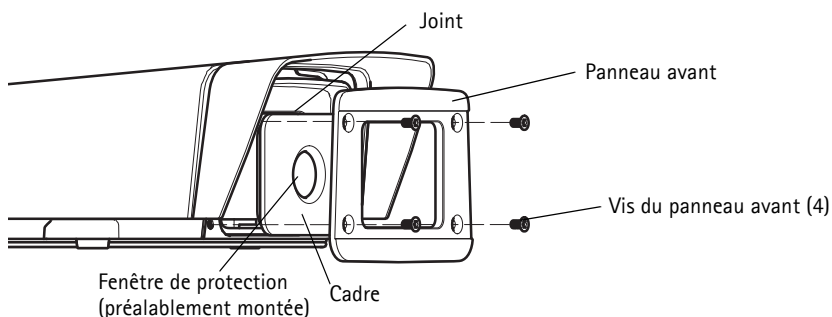
4. Desserrez la vis de réglage du support afin d'orienter la caméra dans la direction voulue et effectuez la mise au point de la caméra si nécessaire. Si l'objectif a été modifié, la source d'image de la caméra doit être mise à jour. Reportez-vous à la *Caméras pour l'intérieur/l'extérieur*, à la page 20. Consultez le guide d'installation fourni avec la caméra pour plus d'informations sur l'accès au flux de données vidéo.
5. Attachez le fil de sécurité à la patte sur le couvercle inférieur.
6. Fixez le couvercle supérieur au couvercle inférieur. Assurez-vous de serrer les vis opposées en diagonale du couvercle inférieur de quelques tours jusqu'à ce qu'elles soient bien serrées. Cela permettra de garantir que le joint du couvercle inférieur est comprimé de façon régulière.
7. Desserrez les vis de réglage du pare-soleil de manière à pouvoir ajuster ce dernier et à le mettre dans la position souhaitée.

3c Remplacement de la fenêtre de protection

Les instructions ci-dessous expliquent comment remplacer la fenêtre de protection. Utilisez la taille appropriée de kit avant pour l'objectif.

Objectif	Kit avant, y compris panneau avant et cadre équipé d'une fenêtre de protection préalablement montée.
10 mm	Moyen (fenêtre germanium de 38 mm)
19 mm	Moyen (fenêtre germanium de 38 mm)
35 mm	Moyen (fenêtre germanium de 38 mm)
60 mm	Grand (fenêtre germanium de 64 mm)

1. Retirez le couvercle supérieur.
2. Déconnectez le câble du chauffe-glace au niveau du connecteur du chauffe-vitre sur la caméra.
3. Desserrez les 4 vis du panneau avant, puis retirez le panneau avant et le cadre.



4. Remplacez le joint.
5. Fixez soigneusement le cadre de rechange au caisson, de façon à ce que le connecteur du chauffe-vitre se trouve dans le coin inférieur droit. Voir l'illustration du panneau avant à la page 18.
Remarque : Ne touchez pas la fenêtre, touchez uniquement le cadre.
6. Placez le panneau avant.
Remarque : Lors de l'installation de la grande fenêtre de protection, utilisez le grand panneau avant et les vis plus longues fournis.
7. Raccordez le câble du chauffe-glace au connecteur du chauffe-vitre sur la caméra. Voir l'illustration à la page 19.
8. Attachez le fil de sécurité à la patte sur le couvercle inférieur.
9. Fixez le couvercle supérieur au couvercle inférieur. Assurez-vous de serrer les vis opposées en diagonale du couvercle inférieur de quelques tours jusqu'à ce qu'elles soient bien serrées. Cela permettra de garantir que le joint du couvercle inférieur est comprimé de façon régulière.
10. Desserrez les vis de réglage du pare-soleil de manière à pouvoir ajuster ce dernier et à le mettre dans la position souhaitée.

Plus d'informations

Consultez le guide d'installation fourni avec la caméra pour plus d'informations sur la connexion des périphériques externes, l'attribution d'une adresse IP, la configuration d'un mot de passe et l'accès au flux de données vidéo. Le guide d'installation est également disponible sur le site Web d'Axis à l'adresse www.axis.com.

Pour en savoir plus

Visitez le centre d'apprentissage en ligne d'Axis sur le site www.axis.com/academy pour en savoir plus sur les formations, les webinaires, les tutoriels et les guides.

Sicherheitsvorkehrungen

Bitte lesen Sie zunächst diese Installationsanleitung vollständig durch, bevor Sie mit der Installation Ihres Produkts beginnen. Halten Sie die Installationsanleitung bereit, falls Sie darauf zurückgreifen müssen.

VORSICHT!

- Transportieren Sie das Axis-Produkt nur in der Originalverpackung bzw. in einer vergleichbaren Verpackung, damit das Produkt nicht beschädigt wird.
- Lagern Sie das Axis-Produkt in einer trockenen und belüfteten Umgebung. Beachten Sie die Lagerungs- und Betriebstemperatur, die im Benutzerhandbuch angegeben ist. Das Benutzerhandbuch steht auf der mitgelieferten CD oder auf unserer Website unter „www.axis.com“ zur Verfügung.
- Achten Sie darauf, dass das Axis-Produkt keinen Erschütterungen, Stößen oder starkem Druck ausgesetzt ist und montieren Sie das Produkt nicht auf instabilen Halterungen oder auf instabilen und vibrierenden Oberflächen oder Wänden. Dies könnte zu Beschädigungen des Produkts führen.
- Verwenden Sie keine elektrischen Werkzeuge zur Montage des Axis-Produkts, da diese das Produkt beschädigen könnten.
- Richten Sie das Kameraobjektiv nicht zur Sonne oder zu anderen hochintensiven Strahlungsquellen aus, da dies zu Beschädigungen des Sensors führen könnte.
- Verwenden Sie keine chemischen, ätzenden oder aerosolhaltigen Reinigungsmittel. Verwenden Sie zur Reinigung ein feuchtes Tuch.
- Verwenden Sie nur Zubehör, das den technischen Spezifikationen des Produkts entspricht. Dieses ist von Axis oder Drittanbietern erhältlich.
- Verwenden Sie nur Ersatzteile, die von Axis empfohlen bzw. bereitgestellt wurden.
- Versuchen Sie nicht, das Produkt selbst zu reparieren. Wenden Sie sich bei Service-Angelegenheiten an Axis oder an Ihren Axis-Händler.

WICHTIG!

- Verwenden Sie dieses Axis-Produkt unter Beachtung der geltenden rechtlichen Bestimmungen.
- Um Axis-Produkte für Innenräume im Freien zu verwenden, müssen sie in einem zugelassenen Außengehäuse installiert werden.
- Montieren Sie die Kamera nicht in der Nähe von Wärmequellen, da Temperaturschwankungen die Bildqualität beeinträchtigen können.
- Das Axis Produkt sollte nur von geschultem Fachpersonal installiert werden. Beachten Sie bei der Montage die geltenden nationalen und lokalen Bestimmungen.

Axis Wärmebildkamera

Zubehör und Ersatzteile

Installationsanleitung

Diese Installationsanleitung enthält Anweisungen zur Montage bzw. zum Austausch der Zubehör- und Ersatzteile der AXIS Q1921/-E/Q1922/-E sowie des AXIS T92E23/T92E24 Wärmebildkameragehäuses.

Anweisungen zur Installation der Kamera im Netzwerk finden Sie in der Installationsanleitung zu Ihrer Kamera. Alle weiteren Hinweise zur Verwendung der Kamera finden Sie im Benutzerhandbuch, das auf unserer Website unter „www.axis.com“ zur Verfügung steht.

Installationsschritte

1. Prüfen Sie, ob alle in der nachfolgenden Liste aufgeführten Komponenten vorhanden sind.
2. Sehen Sie sich die Hardwareübersicht an. Siehe Seite 30.
- 3a. Wechseln Sie das Objektiv. Siehe Seite 32.
- 3b. Montieren Sie das Gehäuse. Siehe Seite 35.
- 3c. Ersetzen Sie das Schutzfenster. Siehe Seite 38.

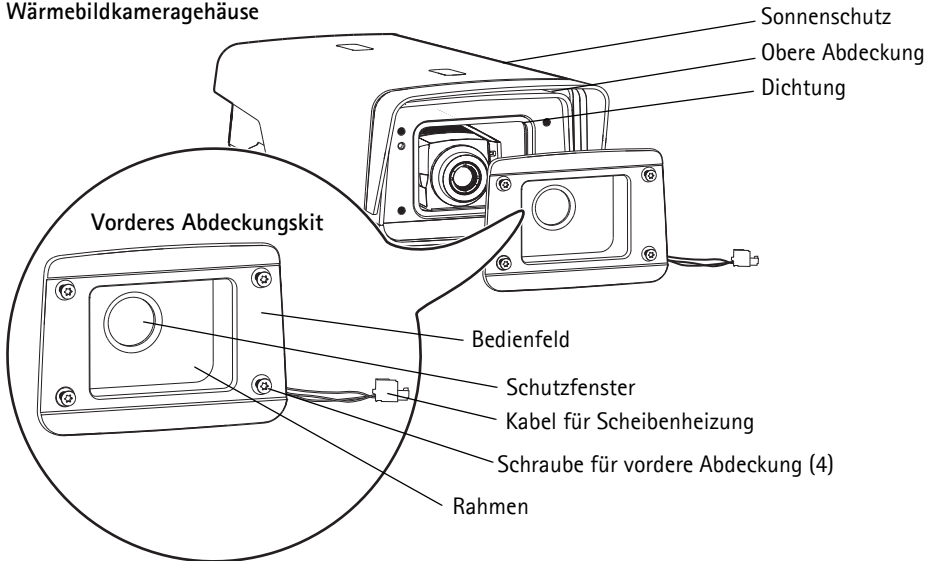
1 Inhalt des Produktpakets

Der Inhalt des Produktpakets hängt von den jeweiligen Zubehör- und Ersatzteilen ab.

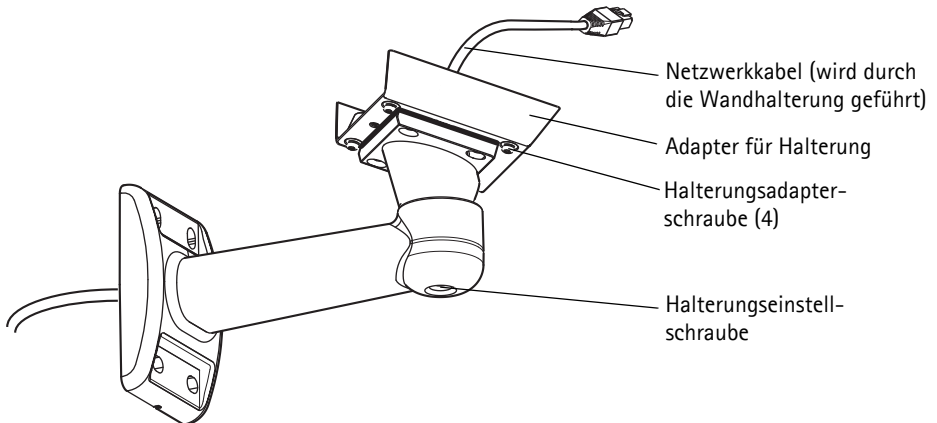
Artikel	Modelle / Varianten / Notizen
Objektiv	10 mm/19 mm/35 mm/60 mm
Gehäuse	AXIS T92E23/T92E24 Wärmebildkameragehäuse Wandhalterung Torx T20-Schraubendreher Inbusschlüssel Kameraschraube und Dichtungsring
Vorderes Abdeckungskit	Bedienfeld Rahmen mit vormontiertem Schutzfenster und Scheibenheizungskabel Schraube für vordere Abdeckung (4)
Gedruckte Dokumente	Zubehör und Ersatzteile für Wärmebildkameras von Axis Installationsanleitung (dieses Dokument) Bohrschablone Axis-Garantieerklärung

2 Hardwareübersicht

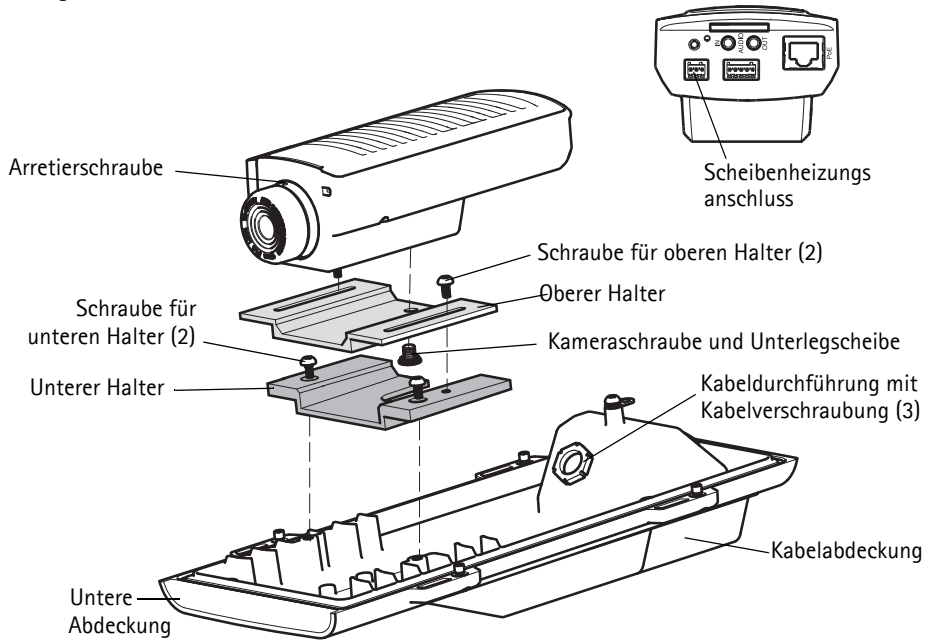
Wärmebildkameragehäuse



Wandhalterung



Montage der Kamera



3a Wechseln des Objektivs

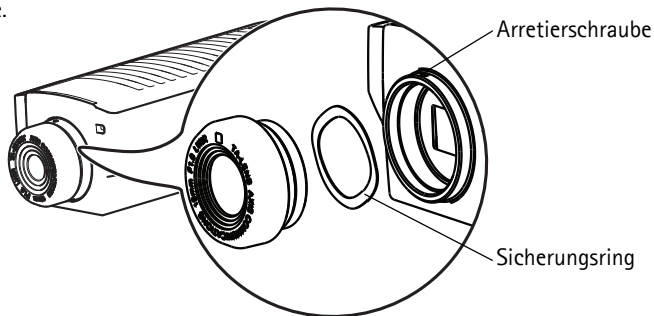
In den folgenden Anweisungen wird der Austausch des Kameraobjektivs beschrieben. Informationen zu den erhältlichen Objektiven finden Sie unter „www.axis.com“, oder wenden Sie sich an Ihren Axis-Händler.

Kameras für den Außenbereich

1. Entfernen Sie die obere Abdeckung.
2. Trennen Sie das Scheibenheizungskabel vom Scheibenheizungsanschluss der Kamera.
3. Anweisungen hierzu finden Sie im folgenden Abschnitt *Kameras für Innenräume/ Außenbereiche*.

Kameras für Innenräume/Außenbereiche

1. Ziehen Sie das Netzkabel ab.
2. Lösen Sie die Arretierschraube.



3. Schrauben Sie das Objektiv ab, indem Sie es gegen den Uhrzeigersinn drehen.
Hinweis: Stellen Sie sicher, dass der Sicherungsring hinter dem Objektiv an seinem Platz bleibt und nicht herausgenommen wird.
4. Bringen Sie das Austauschobjektiv an, indem Sie es nach rechts drehen.
5. Schließen Sie das Netzkabel an.
6. Öffnen Sie die Seite „Live View“ (Live-Ansicht) der Netzwerk-Kamera und wählen Sie **Setup > System Options > Advanced > Plain config** (Setup > Systemoptionen > Erweitert > Direktkonfiguration).
7. Wählen Sie **ImageSource** (Bildquelle) in der Dropdown-Liste aus und klicken Sie auf **Select group** (Gruppe auswählen).
8. Wählen Sie die entsprechende Objektivgröße in der Dropdown-Liste **ImageSource IO Lens** (Bildquelle IO-Objektiv) aus.

9. Fokussieren Sie die Kamera auf die entsprechende Entfernung. In der folgenden Tabelle finden Sie die empfohlenen Fokussentfernungen für einen optimalen Fokus (Nahfokus und unendlich).

Objektiv	10 mm	19 mm	35 mm	60 mm
Fokussentfernung AXIS Q1921/-E	2 m (6.6 ft.)	8 m (26.2 ft.)	22 m (72.2 ft.)	60 m (196.9 ft.)
AXIS Q1922/-E	3 m (10 ft.)	10 m (33 ft.)	33 m (108 ft.)	90 m (296 ft.)

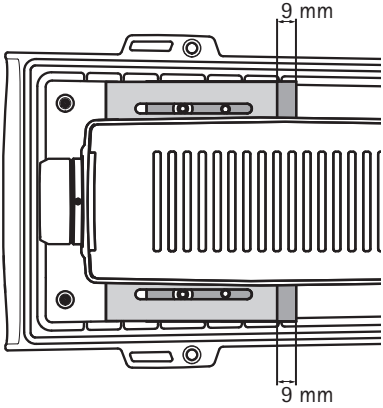
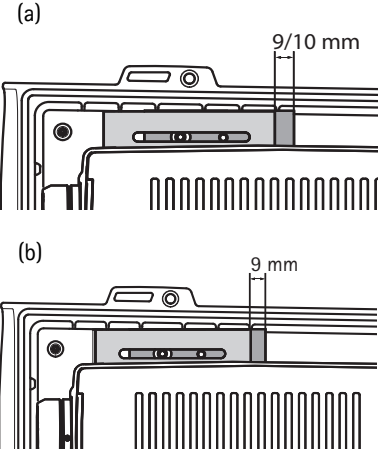
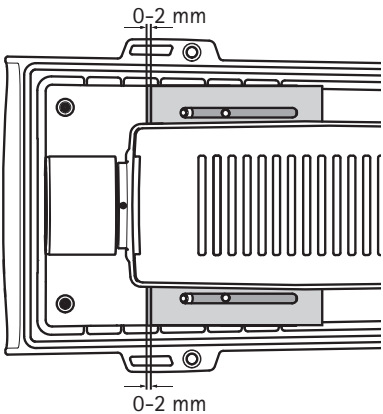
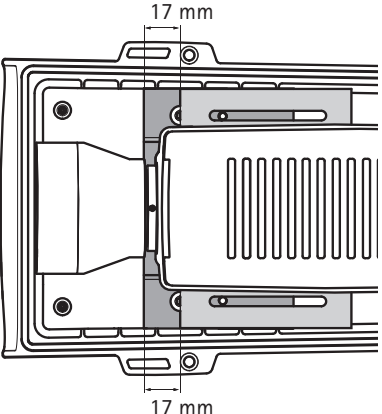
10. Ziehen Sie die Arretierschraube an.

Hinweise:

- Halten Sie das Objektiv vorsichtig am Metallring und berühren Sie nicht die Objektivoberfläche.
- Achten Sie darauf, dass beim Austausch des Objektivs kein Staub auf den Sensor gelangt.

Einstellen des Halterabstands

1. Lösen Sie die Schrauben des oberen Halters.
2. Stellen Sie den Abstand vom oberen zum unteren Halter gemäß den Angaben in der folgenden Tabelle ein.

Objektiv	10 mm	19 mm (a) AXIS Q1921/-E (b) AXIS Q1922/-E
Halterabstand		
Objektiv	35 mm	60 mm
Halterabstand		

Hinweis: Messen Sie den Halterabstand an beiden Seiten der Kamera, um sicherzustellen, dass die Kamera parallel zu den Haltern montiert wird.

3. Ziehen Sie die Schrauben fest.

3b Montieren des Gehäuses

In den folgenden Anweisungen wird beschrieben, wie Sie eine Wärmebild-Netzwerk-Kamera für Innenräume in einem Gehäuse anbringen. Informationen zu Gehäusen für den Außenbereich und anderem Zubehör finden Sie unter „www.axis.com“.

Einbauen der Kamera im Gehäuse

1. Entfernen Sie den oberen Halter, siehe Abbildung auf Seite 31.
2. Sichern Sie die Kamera mit der Schraube und der Unterlegscheibe am oberen Halter.
3. Richten Sie den oberen Halter am unteren Halter aus und stellen Sie den Abstand zwischen den Haltern gemäß der Tabelle in Abschnitt *Einstellen des Halterabstands*, auf Seite 34 ein.
4. Ziehen Sie die Schrauben fest (Drehmoment 2 Nm). Achten Sie darauf, dass Sie die Schrauben nicht überdrehen.
5. Schließen Sie das Scheibenheizungskabel am Scheibenheizungsanschluss der Kamera an, siehe Abbildung auf Seite 30 und Seite 31.
6. Schieben Sie ggf. eine SD-Karte (separat erhältlich) in den SDHC-Speicherkartenschacht. Wenn Sie Bilder lokal in der Netzwerk-Kamera speichern möchten, benötigen Sie eine SD- oder SDHC-Speicherkarte.

Installation der Wandhalterung

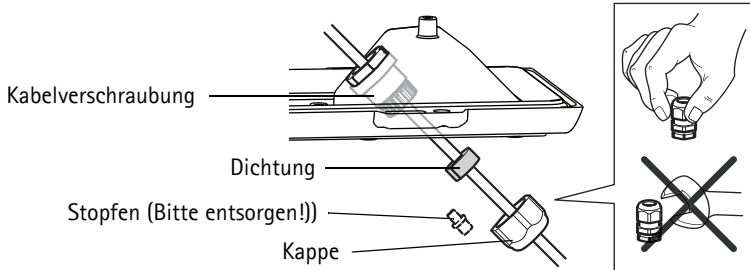
1. Bereiten Sie die Befestigung der Wandhalterung an der Wand vor und markieren Sie die Position der Bohrlöcher mithilfe der mitgelieferten Bohrschablone.
2. Führen Sie das Netzkabel durch die Wandhalterung und den Wandhalterungsadapter. Sie benötigen noch etwa 30 cm Kabel für den Anschluss an die Kamera.
3. Montieren Sie die Wandhalterung an einer Wand. Stellen Sie sicher, dass Sie für das Material (z. B. Holz, Metall, Gipskarton, Stein) die geeigneten Schrauben und Dübel verwenden.

Hinweise:

- Vergewissern Sie sich, dass das Material stabil genug ist, um das Gewicht der Kamera zu tragen.
- Alle weiteren technischen Daten zu diesem Produkt werden ausführlich im Benutzerhandbuch der Kamera beschrieben, das auf unserer Website unter „www.axis.com“ zur Verfügung steht.

Führen Sie das Netzkabel durch die Kabelöffnung.

1. Lösen Sie die Schrauben der Kabelabdeckung und nehmen Sie die Kabelabdeckung von der unteren Abdeckung ab.



2. Entfernen Sie die Kappe, den Stopfen und die Dichtung aus der Kabelverschraubung, die verwendet werden soll.
3. Führen Sie das Netzkabel durch die Kappe.
4. Schieben Sie das Netzkabel durch den Schlitz in der Dichtung, um die Dichtung am Netzkabel zu fixieren.
5. Führen Sie das Netzkabel durch die Kabelverschraubung.
6. Schieben Sie die Dichtung in die Kabelverschraubung und schrauben Sie die Kappe fest.

Hinweise:

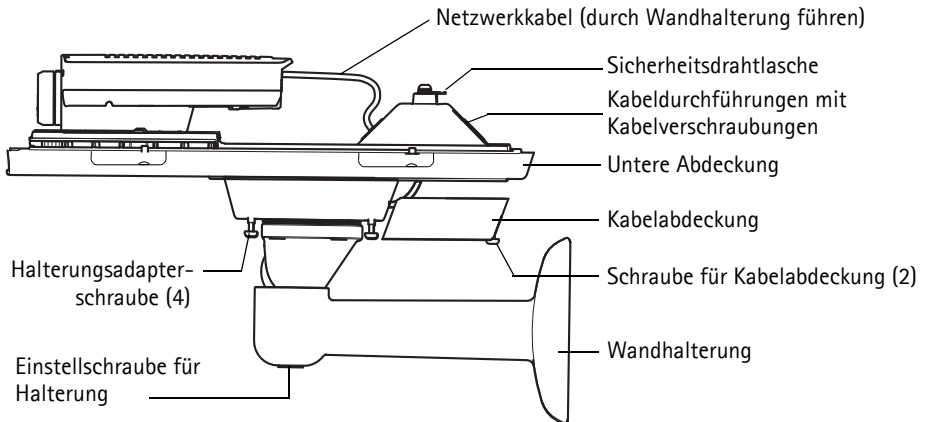
- Wenn eine andere Kabelführung als die mitgelieferte verwendet wird, kann möglicherweise Wasser eindringen und das Produkt beschädigt werden. Die Kabel müssen einen Durchmesser von 4,0 mm - 5,5 mm haben.
- Aufgrund der örtlichen Bestimmungen oder der Umgebungs- oder elektrischen Bedingungen, in denen das Produkt eingesetzt werden soll, kann ein abgeschirmtes Netzkabel (STP) angebracht oder erforderlich sein. Netzkabel, welche in Außenumgebungen oder ähnlichem geführt werden, müssen abgeschirmt sein (STP) und für diesen Zweck vorgesehen sein. Stellen Sie sicher, dass der Netzwerk-Switch ordnungsgemäß geerdet ist. Behördliche Anforderungen finden Sie unter *Electromagnetic Compatibility (EMC)*.

Befestigen der Kamera an der Wandhalterung

1. Setzen Sie die Kamera mit der unteren Abdeckung auf die Halterung und ziehen Sie die Schrauben des Halterungsadapters fest.
2. Bringen Sie die Kabelabdeckung wieder an und ziehen Sie die Schrauben fest.

3. Verbinden Sie die Kamera mit dem Netzwerk.

Hinweis: Wird mehr als ein Kabel verwendet, zum Beispiel für externe Ein-/Ausgabegeräte, muss jedes Kabel durch eine separate Kabelführung geführt werden (siehe *Führen Sie das Netzwerkkabel durch die Kabelöffnung.*)



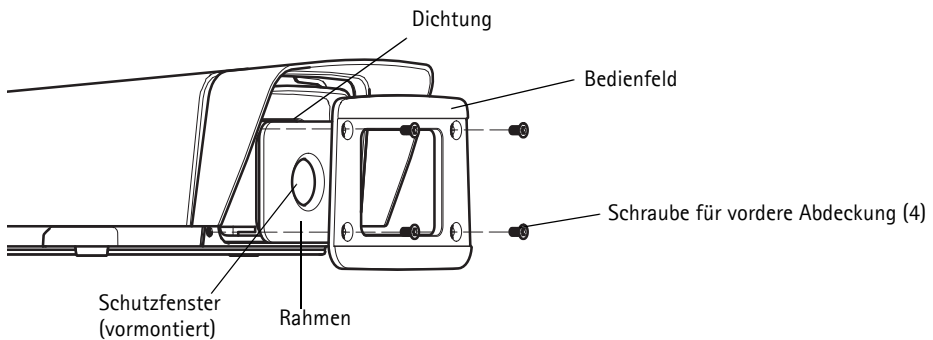
4. Lösen Sie die Einstellschraube der Halterung und richten Sie die Kamera auf das gewünschte Ziel aus. Führen Sie bei Bedarf die Fokussierung der Kamera durch. Wenn Sie das Objektiv ausgetauscht haben, muss die Bildquelle der Kamera aktualisiert werden. Siehe *Kameras für Innenräume/Außenbereiche*, auf Seite 32. In der Installationsanleitung zu Ihrer Kamera finden Sie Informationen zum Zugriff auf den Videostrom.
5. Befestigen Sie den Sicherheitsdraht an der Lasche an der unteren Abdeckung.
6. Setzen Sie die obere Abdeckung auf die untere Abdeckung. Ziehen Sie abwechselnd die jeweils diagonal gegenüberliegenden Schrauben der unteren Abdeckung einige Umdrehungen fest, bis alle Schrauben festgezogen sind. Somit wird sichergestellt, dass die Dichtung der unteren Abdeckung gleichmäßig angepresst wird.
7. Lösen Sie die Einstellschrauben des Sonnenschutzes und bringen Sie den Sonnenschutz in die gewünschte Position.

3c Austausch des Schutzfensters

In den folgenden Anweisungen wird der Austausch des Schutzfensters beschrieben. Wählen Sie das vordere Abdeckungskit aus, das für das Objektiv geeignet ist.

Objektiv	Vorderes Abdeckungskit mit vorderer Abdeckung und Rahmen mit vormontiertem Schutzfenster
10 mm	Mittel (Germaniumscheibe, 38 mm)
19 mm	Mittel (Germaniumscheibe, 38 mm)
35 mm	Mittel (Germaniumscheibe, 38 mm)
60 mm	Groß (Germaniumscheibe, 64 mm)

1. Entfernen Sie die obere Abdeckung.
2. Trennen Sie das Scheibenheizungskabel vom Scheibenheizungsanschluss an der Kamera.
3. Lösen Sie die 4 Schrauben der vorderen Abdeckung und nehmen Sie die vordere Abdeckung und den Rahmen ab.



4. Ersetzen Sie die Dichtung.
5. Setzen Sie den Austauschrahmen vorsichtig auf das Gehäuse. Der Scheibenheizungsanschluss muss sich hierbei rechts unten befinden. Siehe Abbildung zur vorderen Abdeckung auf Seite 30.
Hinweis: Berühren Sie nur den Rahmen und nicht das Fenster.
6. Bringen Sie die vordere Abdeckung an.
Hinweis: Verwenden Sie für die Montage des großen Schutzfensters die beigegefügte, große vordere Abdeckung und die längeren Schrauben.
7. Schließen Sie das Scheibenheizungskabel am Scheibenheizungsanschluss der Kamera an. Siehe Abbildung auf Seite 31.
8. Befestigen Sie den Sicherheitsdraht an der Lasche an der unteren Abdeckung.
9. Setzen Sie die obere Abdeckung auf die untere Abdeckung. Ziehen Sie abwechselnd die jeweils diagonal gegenüberliegenden Schrauben der unteren Abdeckung einige Umdrehungen fest, bis alle Schrauben festgezogen sind. Somit wird sichergestellt, dass die Dichtung der unteren Abdeckung gleichmäßig angepresst wird.
10. Lösen Sie die Einstellschrauben des Sonnenschutzes und bringen Sie den Sonnenschutz in die gewünschte Position.

Weitere Informationen

Im Installationshandbuch zu Ihrer Kamera finden Sie Informationen zum Anschluss externer Geräte, zum Zuweisen einer IP-Adresse und Festlegen des Kennworts sowie zum Zugriff auf den Videostrom. Das Benutzerhandbuch der Kamera steht ebenfalls auf der Website von Axis unter „www.axis.com“ zur Verfügung.

Erfahren Sie mehr!

Im Axis Lernzentrum auf www.axis.com/academy finden Sie hilfreiche Schulungen, Webinare, Lernprogramme und Anleitungen.

Precauzioni

Leggere per intero e con attenzione questa Guida all'installazione prima di installare il prodotto. Conservare la Guida all'installazione per ulteriori riferimenti.

ATTENZIONE!

- Quando si trasporta un prodotto Axis, utilizzare l'imballo originale o un imballo equivalente per evitare danni al prodotto.
- Conservare il prodotto Axis in un ambiente asciutto e ventilato. Mantenere la temperatura di stoccaggio e di funzionamento all'interno dei limiti stabiliti nella Guida per l'utente disponibile sul CD incluso nella confezione oppure al sito web www.axis.com.
- Evitare di esporre il prodotto Axis a vibrazioni, urti o pressioni eccessive e non installare il prodotto su staffe instabili, superfici o pareti instabili o vibranti, poiché in tal modo lo si potrebbe danneggiare.
- Per l'installazione del prodotto Axis, utilizzare solo attrezzi manuali, l'utilizzo di utensili elettrici o l'applicazione di una forza eccessiva potrebbero danneggiare il prodotto.
- Non rivolgere l'obiettivo della telecamera verso il sole o altre sorgenti di radiazioni molto intense poiché si potrebbe danneggiare il sensore.
- Non utilizzare sostanze chimiche, agenti caustici o detergenti aerosol. Utilizzare un panno umido per la pulizia.
- Usare solo accessori compatibili con le specifiche tecniche del prodotto. Questi possono essere forniti da Axis o da terze parti.
- Utilizzare solo parti di ricambio fornite o consigliate da Axis.
- Non tentare di riparare da soli il prodotto, ma contattare Axis o il rivenditore Axis per qualsiasi argomento relativo all'assistenza tecnica.

ATTENZIONE!

- Questo prodotto Axis deve essere utilizzato in conformità alle leggi e alle regolamentazioni locali.
- Per utilizzare all'esterno i prodotti per interno Axis, è necessario installarli in un alloggiamento per esterni approvato.
- Non installare la telecamera vicino a sorgenti di calore poiché le oscillazioni di temperatura potrebbero influire sulla qualità dell'immagine.
- Il prodotto Axis deve essere installato da un professionista preparato. Per l'installazione, rispettare i regolamenti nazionali e locali in vigore.

Telecamera termica Axis

Accessori e parti di ricambio

Guida all'installazione

La Guida all'installazione fornisce le istruzioni necessarie per installare e sostituire gli accessori e le parti di ricambio della AXIS Q1921/-E/Q1922/-E, incluso l'Alloggiamento per telecamera termica AXIS T92E23/T92E24

Per installare la telecamera nella rete, vedere la Guida all'installazione fornita con la telecamera. Per tutte le altre informazioni relative all'uso della telecamera, consultare la Guida per l'utente, disponibile sul sito www.axis.com

Procedura di installazione

1. Controllare il contenuto della confezione usando il seguente elenco..
2. Panoramica dell'hardware. Vedere pagina 42.
- 3a. Sostituzione dell'obiettivo. Vedere pagina 44.
- 3b. Installazione dell'alloggiamento. Vedere pagina 47.
- 3c. Sostituzione della finestra di protezione. Vedere pagina 49.

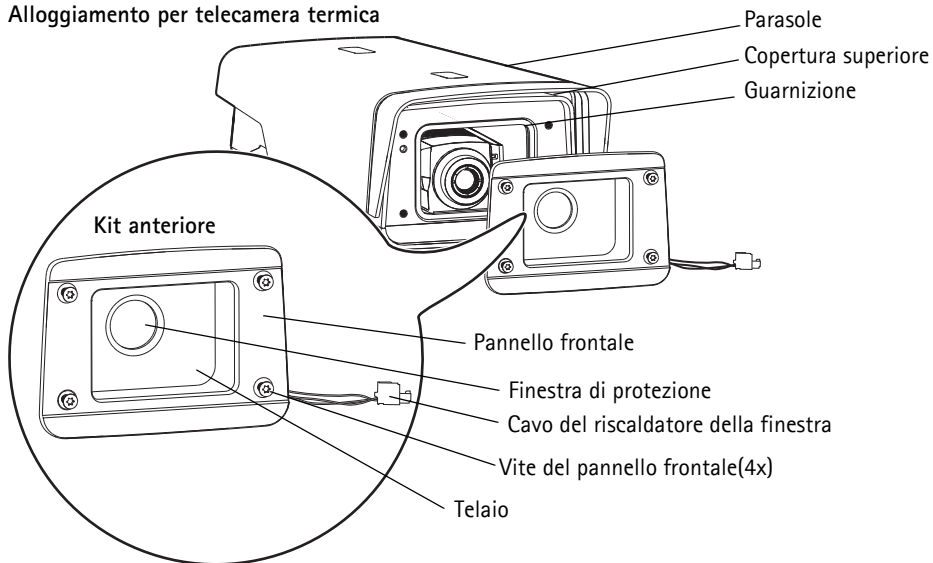
1 Contenuto della confezione

Il contenuto del pacco varia a seconda degli accessori delle parti di ricambio.

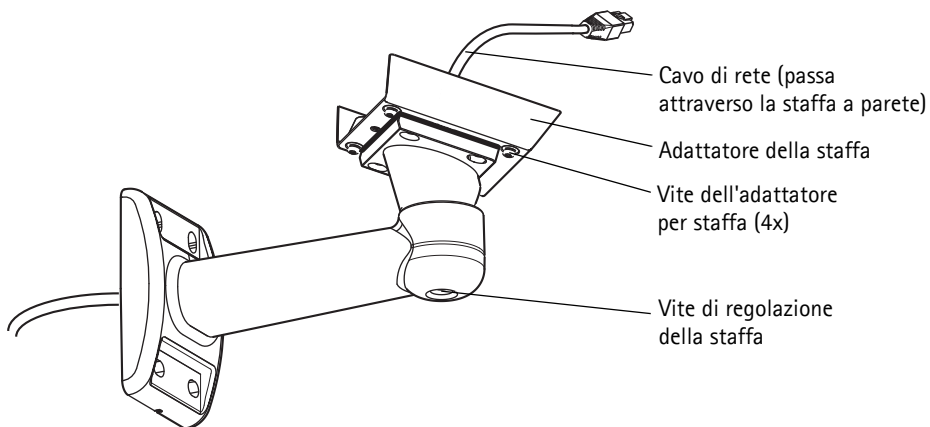
Elemento	Modelli/varianti/note
Obiettivo	10 mm/19 mm/35 mm/60 mm
Alloggiamento	Alloggiamento per telecamera termica AXIS T92E23/T92E24 Staffa per il montaggio a parete Cacciavite Torx T20 Chiave Allen Vite della telecamera e rondella
Kit anteriore	Pannello frontale Telaio con finestra di protezione premontata e cavo per il riscaldamento della finestra Vite del pannello frontale(4x)
documenti stampati	Accessori e parti di ricambio per telecamera termica Axis Guida all'installazione (questo documento) Sagoma per la foratura Documento di garanzia Axis

2 Panoramica dell'hardware

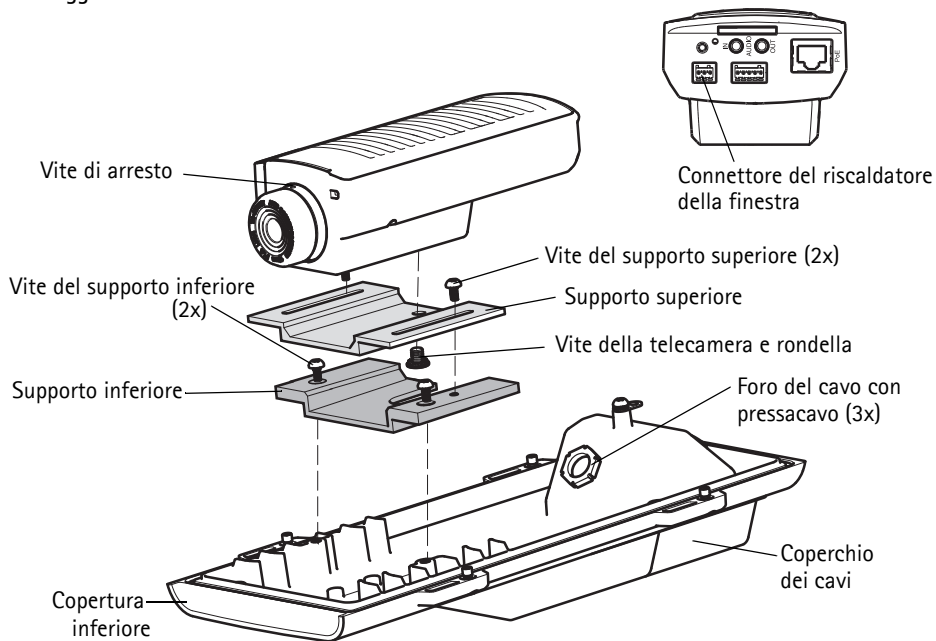
Alloggiamento per telecamera termica



Staffa per il montaggio a parete



Montaggio della telecamera



3a Sostituzione dell'obiettivo

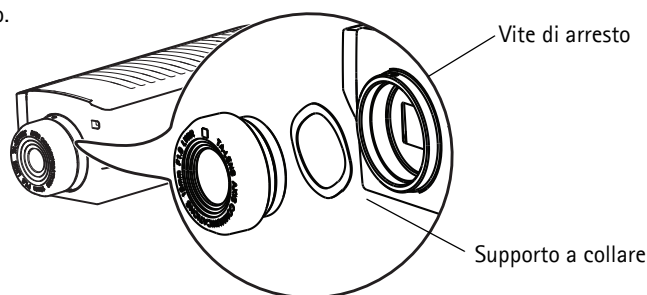
Le istruzioni che seguono descrivono come sostituire l'obiettivo della telecamera. Per informazioni sulle scelte di obiettivi disponibili, visitare il sito www.axis.com o contattare il rivenditore Axis.

Telecamere per ambienti esterni

1. Rimuovere la copertura superiore.
2. Scollegare il cavo del riscaldatore della finestra dall'apposito connettore sulla telecamera.
3. Seguire le istruzioni riportate di seguito in *Telecamere per interni/esterni*.

Telecamere per interni/esterni

1. Scollegare il cavo di rete.
2. Allentare la vite di arresto.



3. Svitare l'obiettivo ruotandolo in senso antiorario.
Nota: Assicurarsi che il supporto a collare dietro all'obiettivo rimanga in posizione.
4. Installare l'obiettivo sostitutivo ruotandolo in senso orario.
5. Collegare il cavo di rete.
6. Aprire la pagina della vista dal vivo (live view) della telecamera di rete e andare a **Setup (Impostazione) > System Options (Opzioni di sistema) > Advanced (Avanzate) > Plain config (Configurazione normale)**.
7. Selezionare **ImageSource** nell'elenco a discesa e fare clic su **Select group (Selezione gruppo)**.
8. Selezionare la scelta di obiettivo corrispondente nell'elenco a discesa **Obiettivo IO ImageSource**.
9. Mettere a fuoco la telecamera alla distanza appropriata. Vedere la tabella che segue per le distanze focali raccomandate per ottenere una messa a fuoco ottimale per le immagini a distanza ravvicinata e infinita.

Obiettivo	10 mm	19 mm	35 mm	60 mm
Distanza focale AXIS Q1921/-E	2 m (6.6 ft.)	8 m (26.2 ft.)	22 m (72.2 ft.)	60 m (196.9 ft.)
AXIS Q1922/-E	3 m (10 ft.)	10 m (33 ft.)	33 m (108 ft.)	90 m (296 ft.)

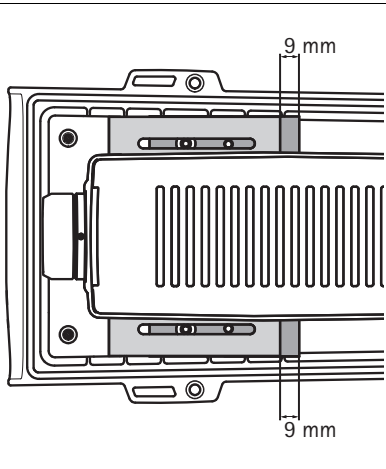
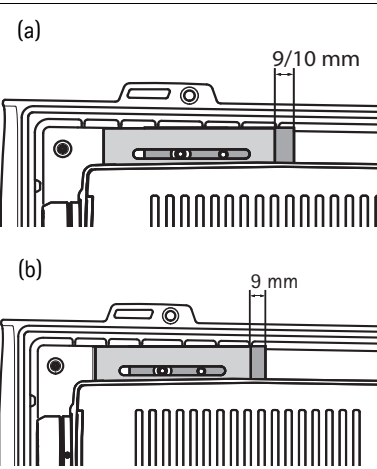
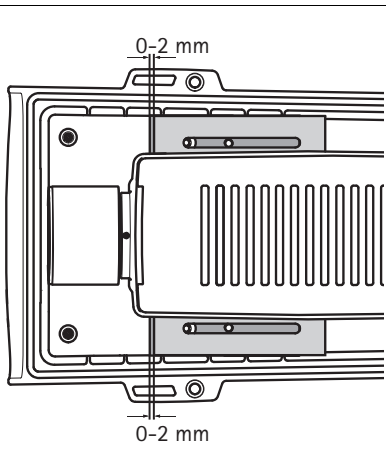
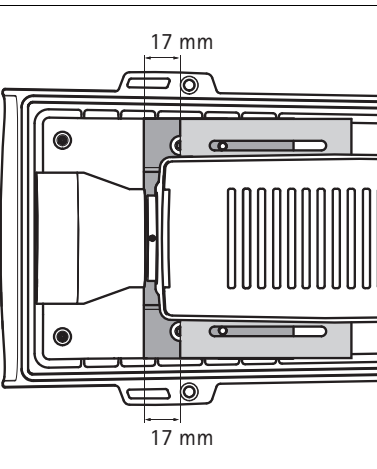
10. Fissare la vite d'arresto.

Note:

- Tenere delicatamente l'obiettivo per l'anello metallico; non toccare la superficie della lente.
- Proteggere il sensore dall'esposizione alla polvere mentre si cambia l'obiettivo.

Regolare la distanza del supporto

1. Allentare le viti del supporto superiore.
2. Regolare la distanza fra il supporto superiore e inferiore secondo la tabella che segue.

Obiettivo	10 mm	19 mm (a) AXIS Q1921/-E (b) AXIS Q1922/-E
Distanza del supporto		
Obiettivo	35 mm	60 mm
Distanza del supporto		

Nota: Misurare la distanza del supporto su entrambi i lati della telecamera per assicurarsi che la telecamera e i supporti siano montati parallelamente l'uno rispetto all'altro.

3. Serrare le viti.

3b Installazione dell'alloggiamento

Le istruzioni che seguono descrivono come installare una telecamera termica di rete in un alloggiamento, visitare www.axis.com per informazioni sugli alloggiamenti esterni e altri accessori.

Installare la telecamera nell'alloggiamento

1. Rimuovere il supporto superiore, vedere la figura a pagina 43.
2. Fissare la telecamera e il supporto superiore con la vite e la rondella.
3. Far combaciare il supporto superiore e quello inferiore e regolare la distanza fra i supporti secondo la tabella in *Regolare la distanza del supporto*, a pagina 45.
4. Serrare le viti a 2 Nm. Fare attenzione a non serrare eccessivamente le viti.
5. Collegare il cavo del riscaldatore della finestra all'apposito connettore sulla telecamera, vedere le figure a pagina 42 e a pagina 43.
6. Inserire facoltativamente una scheda SD (non inclusa) nell'alloggiamento SDHC (Secure Digital High Capacity). Per memorizzare localmente le immagini riprese dalla telecamera, è necessaria una scheda SD standard o a capacità elevata.

Installare la staffa di montaggio a parete

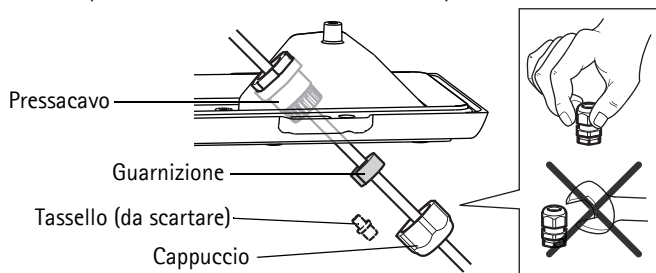
1. Utilizzare la maschera di foratura fornita per preparare una parete per l'installazione della staffa a parete.
2. Inserire il cavo di rete attraverso la staffa per il montaggio a parete e attraverso l'adattatore della stessa. Lasciare circa 30 cm di cavo per collegare la telecamera.
3. Installare la staffa a parete su una parete e assicurarsi che le viti e i supporti siano appropriati per il materiale (ad esempio legno, metallo, cartongesso, pietra).

Note:

- Controllare che il materiale sia sufficientemente robusto per sostenere il peso della telecamera.
- Per ulteriori informazioni tecniche, fare riferimento al Manuale utente della telecamera all'indirizzo web www.axis.com

Inserire il cavo di rete nel pressacavo.

1. Allentare le viti della copertura del cavo e rimuoverla dalla copertura inferiore.



2. Rimuovere il cappuccio, la spina e la guarnizione dal pressacavo che deve essere utilizzato.
3. Passare il cavo di rete attraverso il cappuccio.

4. Far scorrere il cavo di rete attraverso la scanalatura sulla guarnizione per attaccare quest'ultima al cavo di rete.
5. Inserire il cavo di rete nel pressacavo.
6. Premere la guarnizione nel pressacavo e fissare saldamente il cappuccio.

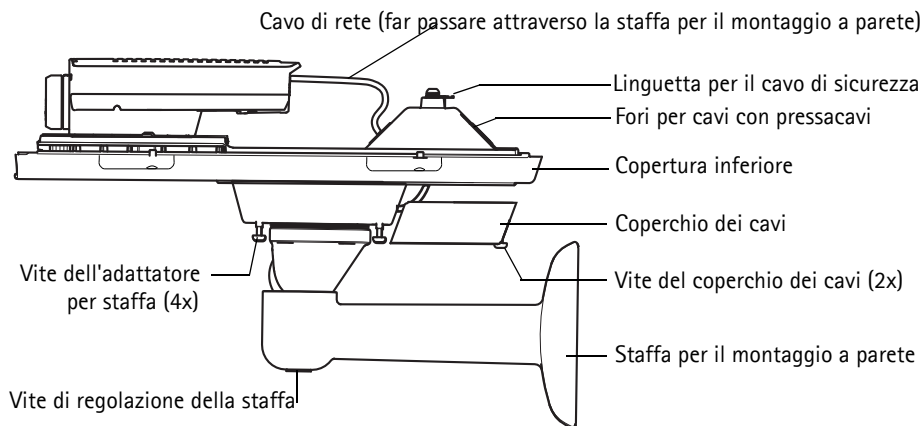
Note:

- Utilizzare un pressacavo differente da quello fornito può provocare infiltrazioni di acqua e danni al prodotto. I cavi devono avere un diametro di 4,0 mm - 5,5 mm.
- A causa delle disposizioni locali e delle condizioni ambientali ed elettriche in cui il prodotto deve essere utilizzato, può essere appropriato o necessario un cavo di rete schermato (STP). Tutti i cavi di rete posati in ambienti esterni o simili devono essere schermati (STP) e concepiti per il loro uso specifico. Assicurarsi che lo switch di rete sia correttamente collegato a terra. Per i requisiti normativi consultare *Electromagnetic Compatibility (EMC)*.

Montare la telecamera sulla staffa a parete

1. Installare la telecamera con la copertura inferiore sulla staffa, quindi serrare le viti di regolazione della staffa.
2. Rimontare il coperchio dei cavi e serrare le viti.
3. Collegare la telecamera alla rete.

Nota: Se vengono usati più cavi, per esempio per dispositivi di input/output esterni, ogni cavo deve essere fatto passare attraverso un pressacavo separato, vedere *Inserire il cavo di rete nel pressacavo*.



4. Allentare la vite di regolazione della staffa per rivolgere la telecamera verso il punto desiderato e metterla a fuoco se necessario. Se l'obiettivo è stato sostituito, la sorgente di immagini della telecamera deve essere aggiornata. Vedere *Telecamere per interni/esterni*, a pagina 44. Per istruzioni su come accedere al flusso video, vedere la Guida all'installazione fornita insieme alla telecamera.
5. Fissare il cavo di sicurezza alla linguetta sulla copertura inferiore.

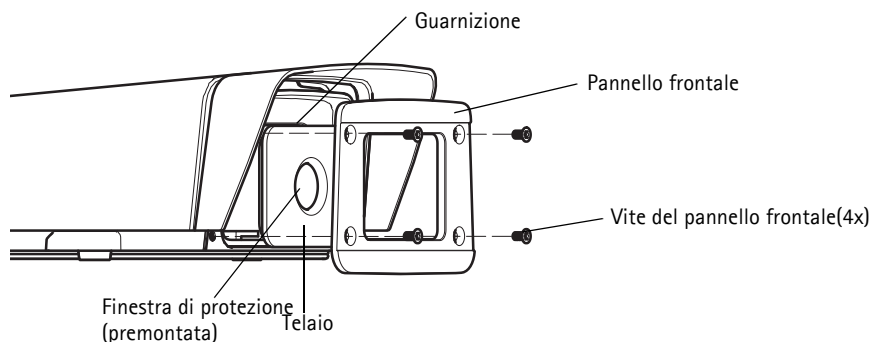
- Fissare la copertura superiore a quella inferiore. Assicurarsi di serrare le viti del coperchio pochi giri alla volta e a coppie diagonalmente opposte, fino a che non sono tutte serrate. Questo aiuta a garantire che la guarnizione del coperchio inferiore sia compressa in modo uniforme.
- Allentare le viti di regolazione del parasole e regolarlo nella posizione desiderata.

3c Sostituire la finestra di protezione

Le istruzioni che seguono descrivono come sostituire la finestra di protezione. Usare per l'obiettivo un kit anteriore di dimensioni appropriate.

Obiettivo	Kit anteriore, incluso il pannello e il telaio con la finestra di protezione premontata
10 mm	Medio (finestra in germanio da 38 mm)
19 mm	Medio (finestra in germanio da 38 mm)
35 mm	Medio (finestra in germanio da 38 mm)
60 mm	Grande (finestra in germanio da 64 mm)

- Rimuovere la copertura superiore.
- Scollegare il cavo del riscaldatore della finestra dall'apposito connettore sulla telecamera.
- Allentare le 4 viti di montaggio del pannello frontale, quindi rimuovere il pannello frontale e il telaio.



- Sostituire la guarnizione.
- Applicare con attenzione il telaio sostitutivo all'alloggiamento in modo che il connettore del riscaldamento della finestra sia nell'angolo inferiore destro, vedere l'illustrazione del pannello frontale a pagina 42.
Nota: Non toccare la finestra, ma toccare solo il telaio.
- Montare il pannello frontale.
Nota: Usare il pannello frontale grande e le viti più lunghe quando si installa la finestra di protezione grande.
- Collegare il cavo del riscaldatore della finestra all'apposito connettore sulla telecamera, vedere la figura a pagina 43.
- Fissare il cavo di sicurezza alla linguetta sulla copertura inferiore.

9. Fissare la copertura superiore a quella inferiore. Assicurarsi di serrare le viti del coperchio pochi giri alla volta e a coppie diagonalmente opposte, fino a che non sono tutte serrate. Questo aiuta a garantire che la guarnizione del coperchio inferiore sia compressa in modo uniforme.
10. Allentare le viti di regolazione del parasole e regolarlo nella posizione desiderata.

Ulteriori informazioni

Vedere la Guida all'installazione fornita con la telecamera per informazioni su come collegare dispositivi esterni, assegnare un indirizzo IP, impostare la password a accedere al flusso video. La Guida all'installazione della telecamera è disponibile sul sito Web di Axis all'indirizzo www.axis.com.

Ulteriori informazioni

Per utili corsi di formazione, webinar, tutorial e guide, visitare il centro di apprendimento di Axis all'indirizzo www.axis.com/academy.

Medidas preventivas

Lea atentamente la Guía de instalación antes de instalar el producto. Guarde la Guía de instalación para futuras consultas.

¡PRECAUCIÓN!

- A la hora de transportar el producto Axis, utilice el embalaje original o uno equivalente para no dañar el producto.
- Guarde el producto Axis en un entorno seco y ventilado. Mantenga la temperatura de funcionamiento y almacenamiento dentro de los límites indicados en el Manual del usuario disponible en el CD incluido en este paquete o en www.axis.com.
- Evite exponer el producto Axis a vibraciones, golpes o presiones excesivas y no lo instale en soportes inestables, o en superficies o paredes inestables o con vibraciones, ya que esto podría dañarlo.
- Instale el producto Axis utilizando solo herramientas manuales, ya que el uso de herramientas eléctricas o de una fuerza excesiva podría dañarlo.
- No ponga el objetivo de la cámara en dirección al sol o a otras fuentes de radiación de gran intensidad ya que esto podría dañar el sensor.
- No utilice productos químicos, agentes cáusticos ni limpiadores en aerosol. Límpielo con un paño húmedo.
- Utilice solo accesorios que cumplan las especificaciones técnicas del producto. Puede obtenerlos de Axis o de un tercero.
- Utilice solo piezas de recambio suministradas o recomendadas por Axis.
- No intente reparar el producto usted mismo, póngase en contacto con Axis o con el distribuidor de Axis para los temas de servicio técnico.

¡IMPORTANTE!

- Este producto Axis debe utilizarse de conformidad con la legislación y normativas locales.
- Para utilizar los productos Axis en exteriores, deben instalarse en una carcasa protectora para exteriores aprobada.
- No instale la cámara cerca de fuentes de calor, ya que las fluctuaciones de temperatura pueden afectar a la calidad de imagen.
- La instalación del producto Axis debe realizarla un profesional cualificado. Siga las normativas nacionales y locales aplicables para la instalación.

Guía de instalación de los accesorios y piezas de recambio de la cámara térmica Axis

Esta guía de instalación ofrece instrucciones para instalar y cambiar accesorios y piezas de recambio de la cámara AXIS Q1921/-E/Q1922/-E, incluyendo la Carcasa de la cámara térmica AXIS T92E23/T92E24.

Para instalar la cámara en la red, consulte la Guía de instalación que acompaña a la cámara. Si desea conocer más información acerca de la cámara, consulte el Manual del usuario, disponible en www.axis.com.

Pasos para la instalación

1. Verifique el contenido del paquete con la lista que aparece más abajo.
2. Presentación del hardware. Consulte la página 54.
- 3a. Sustitución del objetivo. Consulte la página 56.
- 3b. Instalación de la carcasa. Consulte la página 58.
- 3c. Sustitución de la ventana protectora. Consulte la página 61.

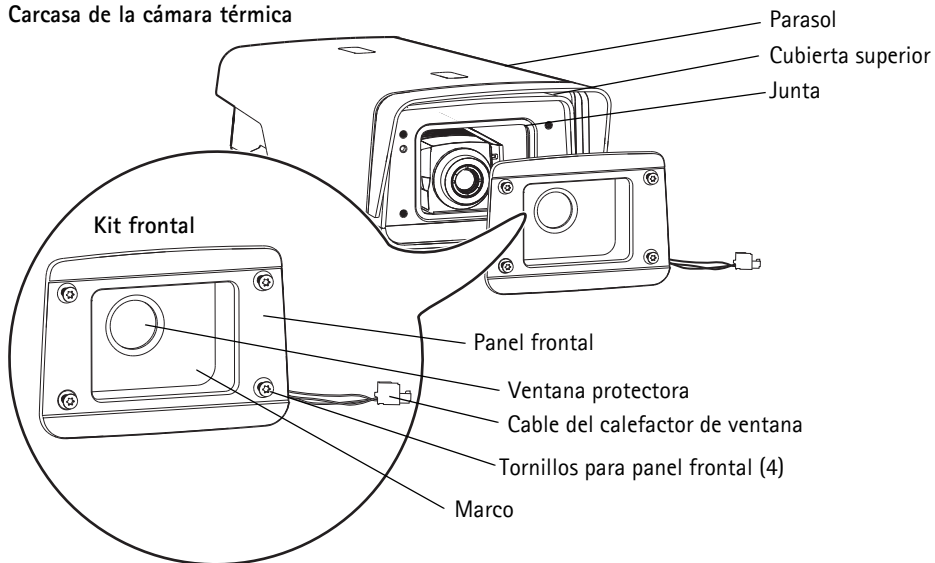
1 Contenido del paquete

El contenido del paquete varía dependiendo de los accesorios y las piezas de recambio.

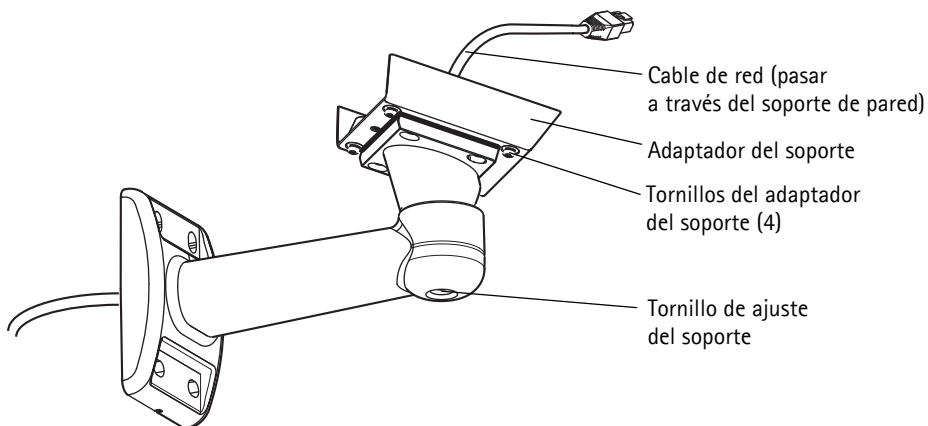
Artículo	Modelos/variantes/notas
Objetivo	10 mm/19 mm/35 mm/60 mm
Carcasa	Carcasa de la cámara térmica AXIS T92E23/T92E24 Soporte de pared Destornillador Torx T20 Llave Allen Tornillo y arandela de la cámara
Kit frontal	Panel frontal Marco con ventana protectora preinstalada y cable del calefactor de ventana Tornillos para panel frontal (4)
Material impreso	Guía de instalación de los Accesorios y piezas de recambio de la cámara térmica Axis (este documento) Plantilla de taladrado Documento de garantía de Axis

2 Presentación del hardware

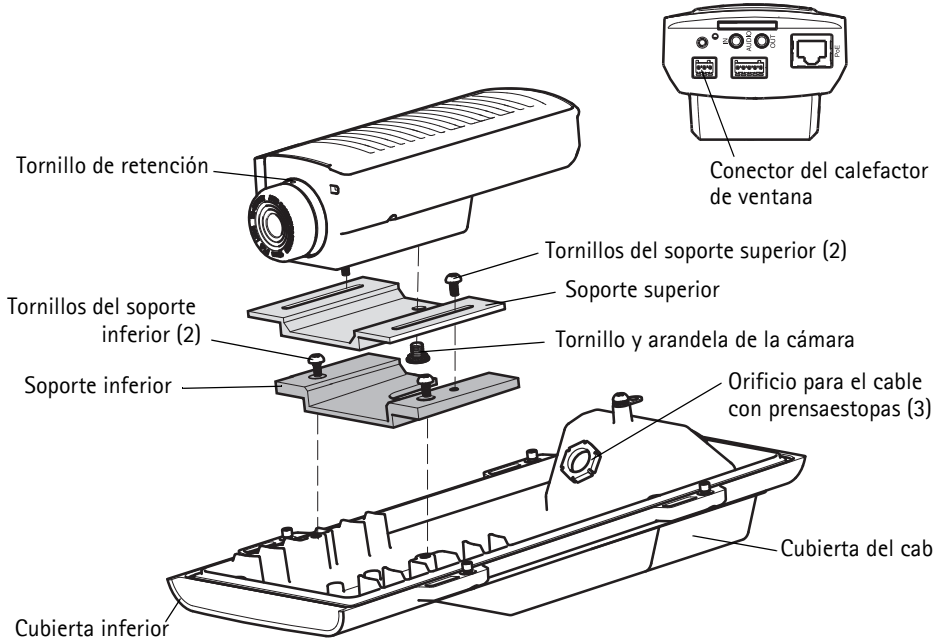
Carcasa de la cámara térmica



Soporte de pared



Montaje de la cámara



3a Sustitución del objetivo

Estas instrucciones describen el modo de sustituir el objetivo de la cámara. Para obtener información sobre las opciones de objetivo disponibles, vaya a www.axis.com o póngase en contacto con su distribuidor de Axis.

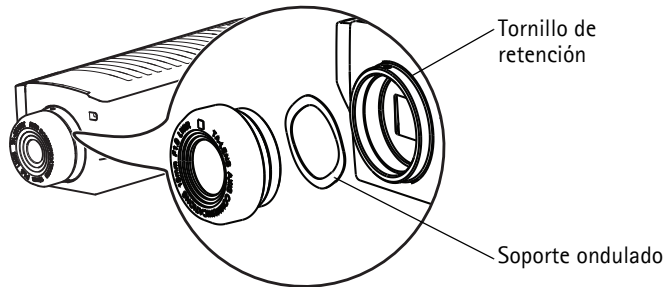
Cámaras de exterior

1. Retire la cubierta superior.
2. Desconecte el cable del calefactor de ventana del conector del calefactor de ventana de la cámara.
3. Consulte las instrucciones de *Cámaras de interior/exterior* a continuación.

Cámaras de interior/exterior

1. Desconecte el cable de red.
2. Afloje el tornillo de retención.
3. Desatornille el objetivo girándolo a la izquierda.

Nota: Asegúrese de que el soporte ondulado de detrás del objetivo permanece en su sitio.



4. Instale el objetivo de repuesto girándolo a la derecha.
5. Conecte el cable de red.
6. Abra la página Live View (Visualización en directo) de la cámara de red y vaya a **Setup (Configuración) > System Options (Opciones del sistema) > Advanced (Avanzadas) > Plain config (Configuración normal)**.
7. Seleccione **ImageSource** (Fuente de imagen) en la lista desplegable y haga clic en **Select group** (Seleccionar grupo).
8. Seleccione la opción de objetivo pertinente en la lista desplegable **ImageSource IO Lens** (Objetivo de E/S de fuente de imagen).
9. Enfoque la cámara en la distancia adecuada. Consulte en la tabla siguiente las distancias de enfoque recomendadas para lograr un enfoque óptimo tanto cercano como infinito.

Objetivo	10 mm	19 mm	35 mm	60 mm
Distancia de enfoque AXIS Q1921/-E	2 m (6.6 ft.)	8 m (26.2 ft.)	22 m (72.2 ft.)	60 m (196.9 ft.)
AXIS Q1922/-E	3 m (10 ft.)	10 m (33 ft.)	33 m (108 ft.)	90 m (296 ft.)

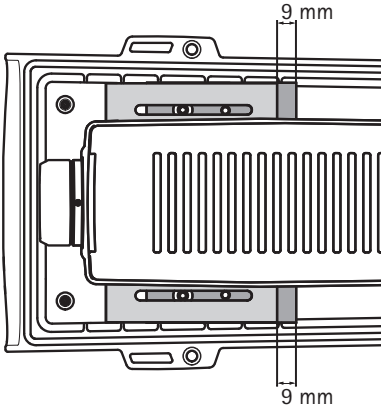
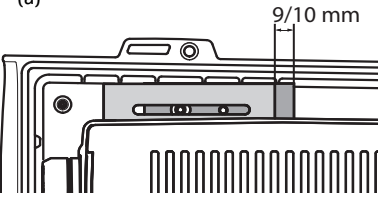
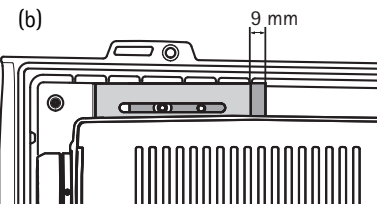
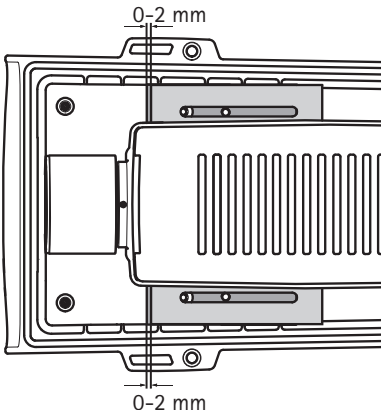
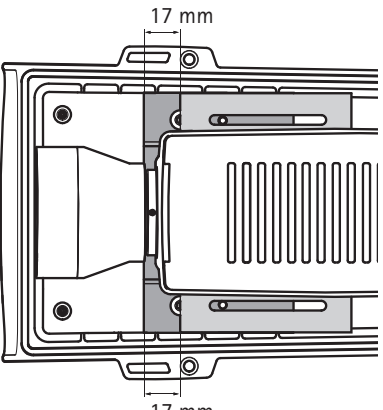
10. Fije el tornillo de retención.

Notas:

- Sostenga el objetivo con suavidad por el anillo metálico; no toque la superficie del objetivo.
- Tenga cuidado de que no entre polvo en el sensor al cambiar el objetivo.

Ajuste de la distancia del soporte

1. Afloje los tornillos del soporte superior.
2. Ajuste la distancia entre el soporte superior y el inferior de acuerdo con la tabla siguiente.

Objetivo	10 mm	19 mm (a) AXIS Q1921/-E (b) AXIS Q1922/-E
Distancia del soporte		 
Objetivo	35 mm	60 mm
Distancia del soporte		

Nota: Mida la distancia de los soportes a ambos lados de la cámara para asegurarse de que la cámara y los soportes están montados en paralelo entre sí.

3. Apriete los tornillos.

3b Instalación de la carcasa

Estas instrucciones describen el modo de instalar una cámara de red térmica de interior en una carcasa; consulte www.axis.com para obtener información sobre carcasas de exterior y otros accesorios.

Instalación de la cámara en la carcasa

1. Extraiga el soporte superior; consulte la ilustración en la página 55.
2. Fije la cámara al soporte superior con el tornillo y la arandela.
3. Encaje el soporte superior en el soporte inferior y ajuste la distancia entre los soportes de acuerdo con la tabla de la sección *Ajuste de la distancia del soporte*, en la página 57.
4. Apriete los tornillos a 2 Nm. Tenga cuidado de no trasroscar los tornillos.
5. Conecte el cable del calefactor de ventana al conector del calefactor de ventana de la cámara; consulte las ilustraciones de la página 54 y la página 55.
6. También existe la opción de insertar una tarjeta SD (no incluida) en la ranura para tarjeta SDHC (Secure Digital High Capacity). Es necesaria una tarjeta SD estándar o de gran capacidad para guardar las imágenes localmente en la cámara.

Instalación del soporte de pared

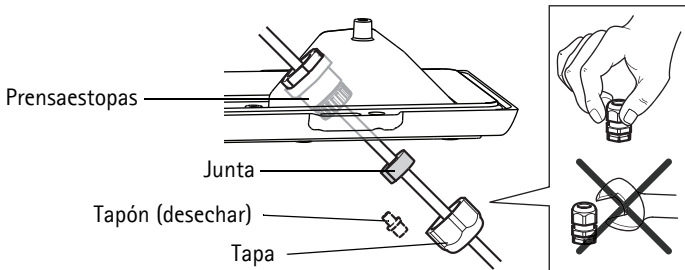
1. Utilice la plantilla de taladrado proporcionada para preparar la pared donde instalará el soporte de pared.
2. Pase el cable de red por el soporte de pared y por el adaptador del soporte. Deje aproximadamente 30 cm de cable para conectar la cámara.
3. Instale el soporte de pared en una pared y asegúrese de que los tornillos y conectores sean apropiados para el material (p. ej., madera, metal, tablero de yeso, piedra).

Notas:

- Asegúrese de que el material puede aguantar el peso de la cámara.
- Para obtener más especificaciones técnicas, consulte el Manual del usuario de la cámara, disponible en www.axis.com.

Paso del cable de red por el orificio para el cable

1. Afloje los tornillos de la cubierta del cable y sepárela de la cubierta inferior.



2. Retire la tapa, el tapón y la junta del prensaestopas que se va a utilizar.
3. Pase el cable de red por la tapa.
4. Deslice el cable de red a través de la ranura de la junta para fijar la junta al cable de red.
5. Pase el cable de red por el prensaestopas.
6. Presione la junta sobre el prensaestopas y atornille la tapa fuertemente.

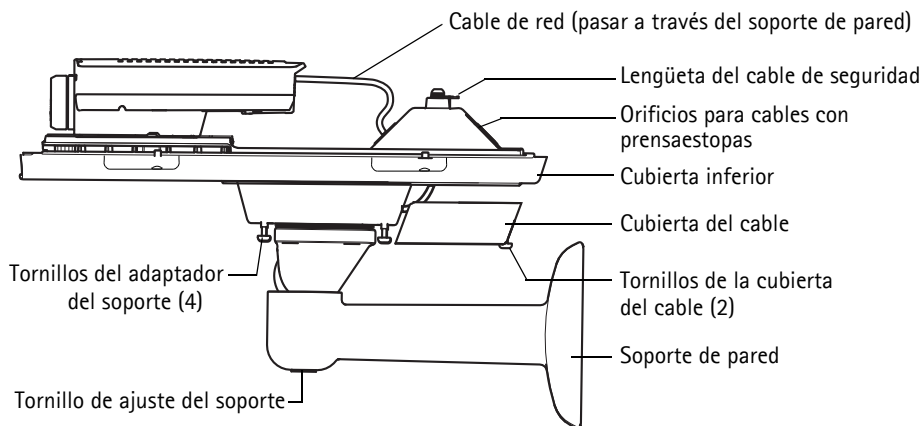
Notas:

- El uso de cualquier otro prensaestopas puede provocar que se filtre agua, lo que dañaría el producto. Los cables deben tener un diámetro de 4,0 mm - 5,5 mm.
- Debido a la normativa local o a las condiciones ambientales y eléctricas en las que vaya a utilizar el producto, puede que sea conveniente o necesario un cable de red blindado (STP). Todos los cables de red que se utilicen en exteriores o similares deberán estar blindados (STP) y diseñados para su uso específico. Asegúrese de que el conmutador de red disponga de una conexión a tierra adecuada. Consulte *Electromagnetic Compatibility (EMC)* para conocer los requisitos normativos.

Fijación de la cámara al soporte de pared

1. Coloque la cámara con la cubierta inferior apoyada en el soporte y apriete los tornillos del adaptador del soporte.
2. Vuelva a colocar la cubierta del cable y apriete los tornillos.
3. Conecte la cámara a la red.

Nota: Si se utiliza más de un cable, por ejemplo para dispositivos externos de entrada y salida, hay que pasar cada cable por un prensaestopas diferente, consulte *Paso del cable de red por el orificio para el cable*.



4. Afloje el tornillo de ajuste del soporte para dirigir la cámara hacia el punto de interés y enfoque la cámara si es necesario. Si se ha cambiado el objetivo, debe actualizarse la fuente de imagen de la cámara. Consulte la *Cámaras de interior/exterior*, en la página 56. Consulte la Guía de instalación que acompaña a la cámara para informarse de cómo acceder a la transmisión de vídeo.
5. Conecte el cable de seguridad a la lengüeta de la cubierta inferior.

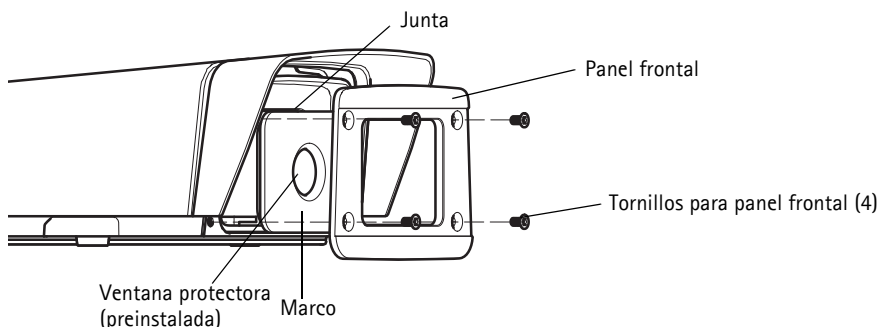
6. Fije la cubierta superior a la cubierta inferior. Asegúrese de ajustar los tornillos diagonalmente opuestos de la cubierta inferior enroscándolos progresivamente a la vez hasta que estén todos apretados. Esto contribuye a garantizar que la junta de la cubierta inferior se comprima de manera uniforme.
7. Afloje los tornillos de ajuste del parasol y ajuste el parasol en la posición deseada.

3c Sustitución de la ventana protectora

Estas instrucciones describen el modo de sustituir la ventana protectora. Utilice el tamaño adecuado de kit frontal para el objetivo.

Objetivo	Kit frontal, incluyendo el panel frontal y el marco con la ventana protectora preinstalada
10 mm	Medio (ventana de germanio de 38 mm)
19 mm	Medio (ventana de germanio de 38 mm)
35 mm	Medio (ventana de germanio de 38 mm)
60 mm	Grande (ventana de germanio de 64 mm)

1. Retire la cubierta superior.
2. Desconecte el cable del calefactor de ventana del conector del calefactor de ventana de la cámara.
3. Afloje los 4 tornillos del panel frontal y retire el panel frontal y el marco.



4. Sustituya la junta.
5. Fije con cuidado el marco de repuesto a la carcasa de modo que el conector del calefactor de ventana esté en la esquina inferior derecha; consulte la ilustración del panel frontal de la página 54.
Nota: No toque la ventana, toque solamente el marco.
6. Instale el panel frontal.
Nota: Utilice el panel frontal grande proporcionado y los tornillos más largos al instalar la ventana protectora grande.
7. Conecte el cable del calefactor de ventana al conector del calefactor de ventana de la cámara; consulte la ilustración de la página 55.
8. Conecte el cable de seguridad a la lengüeta de la cubierta inferior.
9. Fije la cubierta superior a la cubierta inferior. Asegúrese de ajustar los tornillos diagonalmente opuestos de la cubierta inferior dando unas pocas vueltas cada vez hasta que estén todos apretados. Esto contribuye a garantizar que la junta de la cubierta inferior se comprima de manera uniforme.
10. Afloje los tornillos de ajuste del parasol y ajuste el parasol en la posición deseada.

Más información

Consulte la Guía de instalación que acompaña a la cámara para informarse de cómo conectar dispositivos externos, asignar una dirección IP, establecer la contraseña y acceder a la transmisión de vídeo. La Guía de instalación de la cámara también está disponible en el sitio web de Axis en www.axis.com.

Más información

Visite el centro de formación de Axis www.axis.com/academy para consultar cursos, seminarios web, tutoriales y guías de gran utilidad.

Installation Guide

Ver.2.1

Axis Thermal Camera Accessories and Spare Parts

Printed: July 2012

© Axis Communications AB, 2011-2012

Part No. 48463