

ENGLISH

FRANÇAIS

DEUTSCH

ITALIANO

ESPAÑOL

日本語

## **AXIS P55-E Network Camera Series**

**AXIS P5514-E PTZ Network Camera**

**AXIS P5515-E PTZ Network Camera**

# **Installation Guide**

## Legal Considerations

Video surveillance can be regulated by laws that vary from country to country. Check the laws in your local region before using this product for surveillance purposes.

This product includes one (1) H.264 decoder license. To purchase further licenses, contact your reseller.

## Liability

Every care has been taken in the preparation of this document. Please inform your local Axis office of any inaccuracies or omissions. Axis Communications AB cannot be held responsible for any technical or typographical errors and reserves the right to make changes to the product and manuals without prior notice. Axis Communications AB makes no warranty of any kind with regard to the material contained within this document, including, but not limited to, the implied warranties of merchantability and fitness for a particular purpose. Axis Communications AB shall not be liable nor responsible for incidental or consequential damages in connection with the furnishing, performance or use of this material. This product is only to be used for its intended purpose.

## Intellectual Property Rights

Axis AB has intellectual property rights relating to technology embodied in the product described in this document. In particular, and without limitation, these intellectual property rights may include one or more of the patents listed at [www.axis.com/patent.htm](http://www.axis.com/patent.htm) and one or more additional patents or pending patent applications in the US and other countries.

This product contains licensed third-party software. See the menu item "About" in the product's user interface for more information.

This product contains source code copyright Apple Computer, Inc., under the terms of Apple Public Source License 2.0 (see [www.opensource.apple.com/aps/](http://www.opensource.apple.com/aps/)). The source code is available from <https://developer.apple.com/bonjour/>

## Equipment Modifications

This equipment must be installed and used in strict accordance with the instructions given in the user documentation. This equipment contains no user-serviceable components. Unauthorized equipment changes or modifications will invalidate all applicable regulatory certifications and approvals.

## Trademark Acknowledgments

AXIS COMMUNICATIONS, AXIS, ETRAX, ARTPEC and VAPIX are registered trademarks or trademark applications of Axis AB in various jurisdictions. All other company names and products are trademarks or registered trademarks of their respective companies.

Apple, Boa, Apache, Bonjour, Ethernet, Internet Explorer, Linux, Microsoft, Mozilla, Real, SMPTE, QuickTime, UNIX, Windows, Windows Vista and WWW are registered trademarks of the respective holders. Java and all Java-based trademarks and logos are trademarks or registered trademarks of Oracle and/or its affiliates. UPnP<sup>TM</sup> is a certification mark of the UPnP<sup>TM</sup> Implementers Corporation.

SD, SDHC and SDXC are trademarks or registered trademarks of SD-3C, LLC in the United States, other countries or both. Also, miniSD, microSD, miniSDHC, microSDXC are all trademarks or registered trademarks of SD-3C, LLC in the United States, other countries or both.

## Regulatory Information

### Europe

**CE** This product complies with the applicable CE marking directives and harmonized standards:

- Electromagnetic Compatibility (EMC) Directive 2004/108/EC. See *Electromagnetic Compatibility (EMC) on page 2*.
- Low Voltage (LVD) Directive 2006/95/EC. See *Safety on page 3*.
- Restrictions of Hazardous Substances (RoHS) Directive 2011/65/EU. See *Disposal and Recycling on page 3*.

A copy of the original declaration of conformity may be obtained from Axis Communications AB. See *Contact Information on page 3*.

### Electromagnetic Compatibility (EMC)

This equipment has been designed and tested to fulfill applicable standards for:

- Radio frequency emission when installed according to the instructions and used in its intended environment.
- Immunity to electrical and electromagnetic phenomena when installed according to the instructions and used in its intended environment.

### USA

This equipment has been tested using a shielded network cable (STP) and found to comply with the limits for a Class A digital device, pursuant to part 15 of the FCC Rules. These limits are designed to provide reasonable protection against harmful interference when the equipment is operated in a commercial environment. This equipment generates, uses, and can radiate radio frequency energy and, if not installed and used in accordance with the instruction manual, may cause harmful interference to radio communications. Operation of this equipment in a residential area is likely to cause harmful interference in which case the user will be required to correct the interference at his own expense.

The product shall be connected using a shielded network cable (STP) that is properly grounded.

### Canada

This digital apparatus complies with CAN ICES-3 (Class A). The product shall be connected using a shielded network cable (STP) that is properly grounded.

Cet appareil numérique est conforme à la norme NMB ICES-3 (classe A). Le produit doit être connecté à l'aide d'un câble réseau blindé (STP) qui est correctement mis à la terre.

### Europe

This digital equipment fulfills the requirements for RF emission according to the Class A limit of EN 55022. The product shall be connected using a shielded network cable (STP) that is properly grounded. Notice! This is a Class A product. In a domestic environment this product may cause RF interference, in which case the user may be required to take adequate measures.

This product fulfills the requirements for immunity according to EN 61000-6-1 residential, commercial and light-industrial environments.

This product fulfills the requirements for immunity according to EN 55024 office and commercial environments

### Australia/New Zealand

This digital equipment fulfills the requirements for RF emission according to the Class A limit of AS/NZS CISPR 22. The product shall be connected using a shielded network cable (STP) that is properly grounded. Notice! This is a Class A product. In a domestic environment this product

may cause RF interference, in which case the user may be required to take adequate measures.

#### Japan

この装置は、クラスA情報技術装置です。この装置を家庭環境で使用すると電波妨害を引き起こすことがあります。この場合には使用者が適切な対策を講ずるよう要求されることがあります。本製品は、シールドネットワークケーブル(STP)を使用して接続してください。また適切に接地してください。

#### Korea

이 기기는 업무용(A급) 전자파적합기기로서 판매자 또는 사용자는 이 점을 주의하시기 바라며, 가정외의 지역에서 사용하는 것을 목적으로 합니다. 적절히 접지된 STP (shielded twisted pair) 케이블을 사용하여 제품을 연결 하십시오.

#### Safety

This product complies with IEC/EN/UL 60950-1 and IEC/EN/UL 60950-22, Safety of Information Technology Equipment. The product shall be grounded either through a shielded network cable (STP) or other appropriate method.

#### Disposal and Recycling

When this product has reached the end of its useful life, dispose of it according to local laws and regulations. For information about your nearest designated collection point, contact your local authority responsible for waste disposal. In accordance with local legislation, penalties may be applicable for incorrect disposal of this waste.

#### Europe



■ This symbol means that the product shall not be disposed of together with household or commercial waste. Directive 2012/19/EU on waste electrical and electronic equipment (WEEE) is applicable in the European Union member states. To prevent potential harm to human health and the environment, the product must be disposed of in an approved and environmentally safe recycling process. For information about your nearest designated collection point, contact your local authority responsible for waste disposal. Businesses should contact the product supplier for information about how to dispose of this product correctly.

This product complies with the requirements of Directive 2011/65/EU on the restriction of the use of certain hazardous substances in electrical and electronic equipment (RoHS).

#### China



This product complies with the requirements of the legislative act Administration on the Control of Pollution Caused by Electronic Information Products (ACPEIP).

#### Contact Information

Axis Communications AB  
Emdalavägen 14  
223 69 Lund  
Sweden

Tel: +46 46 272 18 00

Fax: +46 46 13 61 30

[www.axis.com](http://www.axis.com)

#### Support

Should you require any technical assistance, please contact your Axis reseller. If your questions cannot be answered immediately, your reseller will forward your queries through the appropriate channels to ensure a rapid response. If you are connected to the Internet, you can:

- download user documentation and software updates
- find answers to resolved problems in the FAQ database. Search by product, category, or phrase
- report problems to Axis support staff by logging in to your private support area
- chat with Axis support staff
- visit Axis Support at [www.axis.com/techsup/](http://www.axis.com/techsup/)

#### Learn More!

Visit Axis learning center [www.axis.com/academy/](http://www.axis.com/academy/) for useful trainings, webinars, tutorials and guides.



## Safety Information

Read through this Installation Guide carefully before installing the product. Keep the Installation Guide for future reference.

### Hazard Levels

**▲DANGER**

Indicates a hazardous situation which, if not avoided, will result in death or serious injury.

**▲WARNING**

Indicates a hazardous situation which, if not avoided, could result in death or serious injury.

**▲CAUTION**

Indicates a hazardous situation which, if not avoided, could result in minor or moderate injury.

**NOTICE**

Indicates a situation which, if not avoided, could result in damage to property.

### Other Message Levels

**Important**

Indicates significant information which is essential for the product to function correctly.

**Note**

Indicates useful information which helps in getting the most out of the product.

## Safety Instructions

### **NOTICE**

- The Axis product shall be used in compliance with local laws and regulations.
- Store the Axis product in a dry and ventilated environment.
- Avoid exposing the Axis product to shocks or heavy pressure.
- Do not install the product on unstable brackets, surfaces or walls.
- Do not point the camera lens toward the sun or other high-intensity radiation sources as this could cause damage to the camera.
- Use only applicable tools when installing the Axis product. Using excessive force with power tools could cause damage to the product.
- Do not use chemicals, caustic agents, or aerosol cleaners.
- Use a clean cloth dampened with pure water for cleaning.
- Use only accessories that comply with technical specification of the product. These can be provided by Axis or a third party.
- Use only spare parts provided by or recommended by Axis.
- Do not attempt to repair the product by yourself. Contact Axis support or your Axis reseller for service matters.
- Do not point the camera lens toward the sun or other high-intensity radiation sources because this could cause damage to the camera.

## Transportation

### **NOTICE**

- Keep the protective packaging. When transporting the Axis product, the protective packaging shall be replaced in its original position.
- When transporting the Axis product, use the original packaging or equivalent to prevent damage to the product.

## Battery

The Axis product uses a 3.0 V BR/CR2032 lithium battery as the power supply for its internal real-time clock (RTC). Under normal conditions this battery will last for a minimum of five years.

Low battery power affects the operation of the RTC, causing it to reset at every power-up. When the battery needs replacing, a log message will appear in the product's server report. For more information about the server report, see the product's setup pages or contact Axis support.

The battery should not be replaced unless required, but if the battery does need replacing, contact Axis support at [www.axis.com/techsup](http://www.axis.com/techsup) for assistance.

## **⚠WARNING**

- Risk of explosion if the battery is incorrectly replaced.
- Replace only with an identical battery or a battery which is recommended by Axis.
- Dispose of used batteries according to local regulations or the battery manufacturer's instructions.

## **Dome Cover**

### **NOTICE**

- Be careful not to scratch, damage or leave fingerprints on the dome cover because this could decrease image quality. If possible, keep the protective plastic on the dome cover until the installation is complete.
- Do not clean a dome cover that looks clean to the eye and never polish the surface. Excessive cleaning could damage the surface.
- For general cleaning of the dome cover it is recommended to use a non-abrasive, solvent-free neutral soap or detergent mixed with pure water and a soft, clean cloth. Rinse well with pure lukewarm water. Dry with a soft, clean cloth to prevent water spotting.
- Never use harsh detergents, gasoline, benzene or acetone etc. and avoid cleaning the dome cover in direct sunlight or at elevated temperatures.





## Installation Guide

This Installation Guide provides instructions for installing AXIS P5514-E/P5515-E PTZ Dome Network Camera on your network. For other aspects of using the product, see the User Manual available at [www.axis.com](http://www.axis.com)

## Installation Steps

1. Make sure the package contents, tools and other materials necessary for the installation are in order. See *page 9*.
2. Study the hardware overview. See *page 9*.
3. Study the specifications. See *page 12*.
4. Install the hardware. See *page 13*.
5. Access the product. See *page 16*.

## Package Contents

- AXIS P5514-E/P5515-E PTZ Dome Network Camera
- Clear transparent dome cover (premounted)
- RJ45 Push-pull Connector (IP66)
- Sunshield, including screws
- Printed materials
  - Installation Guide (this document)
  - Extra serial number label (2x)
  - AVHS Authentication key

## Optional Accessories

- AXIS T91A Mounting Accessories
- AXIS T94A03L Recessed mount kit

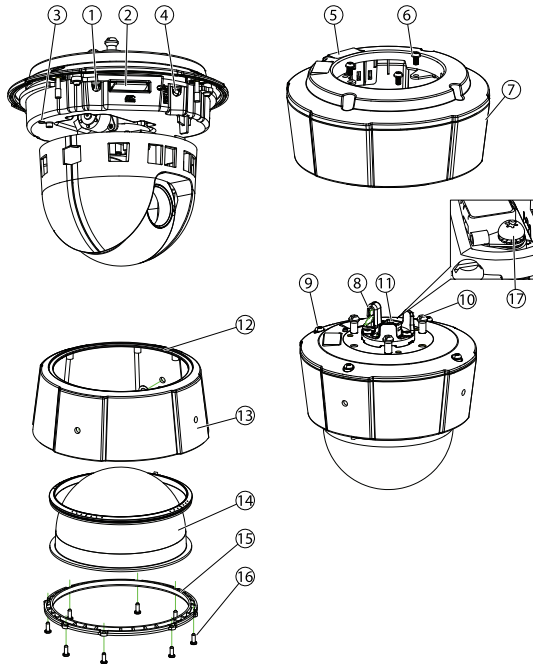
For information about available accessories, see [www.axis.com](http://www.axis.com)

## Hardware Overview

### **NOTICE**

Make sure the dome is attached in operation mode, otherwise focus may be affected.

# AXIS P55-E Network Camera Series



1. Control button
2. SD card slot
3. Status indicator LED
4. Restart button
5. Part number (P/N) & serial number (S/N). Serial number may be required during installation.
6. Screws (3)
7. Sunshield
8. Hook for safety wire
9. Top cover screws (4)
10. Unit holders (3)
11. Network connector PoE
12. Sealing ring
13. Top cover
14. Dome cover
15. Dome ring
16. Dome ring screws (8)
17. Grounding screw

## LED Indicators

Status LED	Indication
Unlit	Connection and normal operation.
Green	Shows steady green for 10 seconds for normal operation after startup completed.
Amber	Steady during startup. Flashes during firmware upgrade.
Amber/Red	Flashes amber/red if network connection is unavailable or lost.

## Connectors and Buttons

For specifications and operating conditions, see *page 12*.

### Network Connector

RJ45 Ethernet connector with Power over Ethernet (PoE).

#### **NOTICE**

The product shall be connected using a shielded network cable (STP). All cables connecting the product to the network shall be intended for their specific use. Make sure that the network devices are installed in accordance with the manufacturer's instructions. For information about regulatory requirements, see *Electromagnetic Compatibility (EMC) on page 2*.

### Control Button

For location of the control button, see *Hardware Overview on page 9*.

The control button is used for:

- Resetting the product to factory default settings. See *page 17*.
- Connecting to an AXIS Video Hosting System service or AXIS Internet Dynamic DNS Service. For more information about these services, see the User Manual.

### Restart Button

Press the restart button to restart the product.

# AXIS P55-E Network Camera Series

---

## SD Card Slot

### **NOTICE**

- Risk of damage to SD card. Do not use sharp tools or excessive force when inserting or removing the SD card.
- Risk of data loss. To prevent data corruption, the SD card should be unmounted before removal. To unmount, go to **Setup > System Options > Storage > SD Card** and click **Unmount**.

This product supports SD/SDHC/SDXC cards (not included).

For SD card recommendations, see [www.axis.com](http://www.axis.com)

## Specifications

### Operating Conditions

Classification	Temperature	Humidity
IEC 60721-4-3 Class 3K3, 3M3 + B38 IEC 60068-2	-20 °C to 50 °C (-4 °F to 122 °F)	Humidity 15-100% RH (condensing)

### Power Consumption

#### **NOTICE**

Use a limited power source (LPS) with either a rated output power limited to  $\leq 100$  W or a rated output current limited to  $\leq 5$  A.

PoE
Power over Ethernet (PoE) IEEE 802.3af/802.3at Type 1 Class 3 max. 12.95 W

## Install the Hardware

### NOTICE

The product shall be connected using a shielded network cable (STP). All cables connecting the product to the network shall be intended for their specific use. Make sure that the network devices are installed in accordance with the manufacturer's instructions. For information about regulatory requirements, see *Electromagnetic Compatibility (EMC)* on page 2.

Mount the product with the dome facing downward.

Read all the instructions before preparing to install the network camera since several installation preparation steps require removing the top cover and would benefit from being completed together.

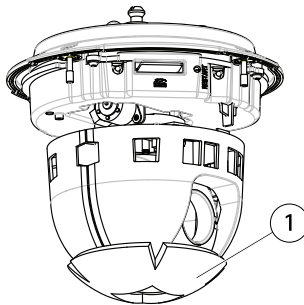
The sunshield must be removed to install/remove an SD card.

- Remove the protective packaging before installing the camera.
- The product is supplied with a clear transparent dome cover (premounted) and a smoked transparent dome cover. To replace the dome cover, see page 14.
- A standard or high capacity SD card (not included) can be used to store recordings locally in the product. See page 14.
- To install the product using a compatible bracket from AXIS T91A Mounting Accessories (sold separately), see page 15.

## Remove the Protective Packaging

See *Hardware Overview* on page 9 for location of components.

1. Loosen the four top cover screws and remove the top cover.
2. Remove the protective packaging.



1 Protective packaging

# AXIS P55-E Network Camera Series

---

3. To replace the clear/smoked dome cover, see *page 14*. To install an SD card see *page 14*.
4. Put the top cover back in its original position and fasten two diagonally opposite screws first (torque < 0.7 Nm), and then the two other screws.

## Replace the Dome Cover

### Important

This product has a dehumidifying membrane to maintain low humidity levels inside the dome. To avoid condensation, do not disassemble the camera in rain or in damp conditions.

### Note

Be careful not to scratch or damage the dome cover. If possible, keep the protective plastic on the dome cover until the installation is complete.

Replacing the dome cover is only necessary if you want to use a smoked dome cover or if the dome cover is scratched or damaged. Smoked dome covers and spare clear dome covers can be purchased from your Axis reseller.

See *Hardware Overview on page 9* for location of components.

1. Loosen the top cover screws and remove the top cover.
2. Remove the 8 dome ring screws and remove the dome ring from the top cover.
3. Attach the dome ring and the replacement dome cover to the top cover and secure by tightening the screws (torque 0.4 to 0.6 Nm).
4. To install an SD card (not included), see *page 14*.
5. Put the top cover back in its original position and fasten diagonally two opposite screws (torque < 0.7 Nm), and then the other screws.

## Install an SD Card

### NOTICE

To prevent corruption of recordings, the SD card should be unmounted before it is ejected. To unmount, go to **Setup > System Options > Storage > SD Card** and click **Unmount**.

It is optional to install a standard or high capacity SD card (not included), which can be used for local recording with removable storage.

See *Hardware Overview on page 9* for location of components.

1. Remove the sunshield.
2. Loosen the 4 top cover screws and remove the top cover.
3. Insert an SD card (not included) into the SD card slot.

4. Put the top cover back in its original position and fasten two diagonally opposite screws first (torque < 0.7 Nm), and then the other screws.
5. Put the sunshield back in its original position and fasten the screws.

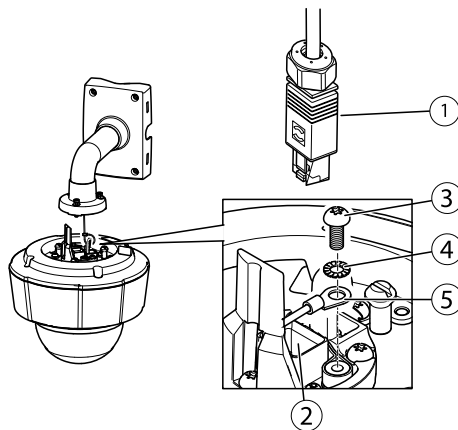
## Install the Camera on a Bracket Mount (sold separately)

### **▲WARNING**

- Risk of electric shock. The product shall be grounded using a grounding wire. Make sure both ends of the grounding wire are in contact with their respective grounding surfaces.

### **NOTICE**

- To comply with the IP66-rated design of the camera and maintain the IP66 protection, the supplied RJ45 Push-pull Connector (IP66) shall be used. Alternatively, use the RJ45 IP66-rated cable with premounted connector which is available from your Axis reseller. Do not remove the plastic network connector shield from the camera.
  - Be careful not to damage the network cable when connecting it.
1. Install the bracket (not included) according to the instructions supplied with the bracket. If drilling is required, make sure to use drill bits, screws and plugs that are appropriate for the material. See [www.axis.com](http://www.axis.com) for information on available mounting accessories.
  2. Secure the camera using the supplied safety wire.
  3. Route the network cable and a grounding wire through the holes in the mounting bracket. Make sure the grounding wire is as short as possible to make the current path as short as possible.
  4. Loosen the grounding screw and remove the washer and cable shoe.



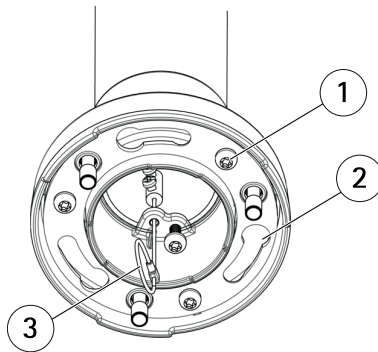
1. Network connector – RJ45 Push-pull Connector (IP66)

# AXIS P55-E Network Camera Series

---

2. *Network connector and network connector shield*
3. *Ground screw T20*
4. *Washer*
5. *Cable shoe*

5. Attach the grounding wire (torque 1.5 to 2 Nm) to the cable shoe using cable shoe pliers.
6. Put the cable shoe and washer back in their original positions and tighten the screw (torque 0.5 Nm). Make sure the cable shoe is in contact with the grounding surface.
7. Connect the supplied RJ45 Push-pull Connector (IP66) to the network cable according to the instructions supplied with the connector.



- 1 *Screw*
- 2 *Slots for unit holders*
- 3 *Safety wire*

8. Connect the network cable to the camera.
9. Slide the unit holders on the network camera into the slots in the mounting bracket and rotate the camera unit.
10. Secure the network camera to the mounting bracket by tightening the screws.

## Access the Product

AXIS IP Utility and AXIS Camera Management are recommended methods for finding Axis products on the network and assigning them IP addresses in Windows®. Both applications are free and can be downloaded from [www.axis.com/techsup](http://www.axis.com/techsup)

The product can be used with most operating systems and browsers. The recommended browsers are

- Internet Explorer® with Windows®
- Safari® with OS X®



- Chrome™ or Firefox® with other operating systems.

For more information about using the product, see the User Manual available at [www.axis.com](http://www.axis.com)

## Reset to Factory Default Settings

### Important

Reset to factory default should be used with caution. A reset to factory default will reset all settings, including the IP address, to the factory default values.

### Note

The installation and management software tools are available from the support pages on [www.axis.com/techsup](http://www.axis.com/techsup)

To reset the product to the factory default settings:

1. Press and hold the control button and the restart button at the same time.
2. Release the restart button but continue to hold down the control button for 15–30 seconds until the status LED indicator flashes amber.
3. Release the control button. The process is complete when the status LED indicator turns green. The product has been reset to the factory default settings. If no DHCP server is available on the network, the default IP address is 192 . 168 . 0 . 90
4. Using the installation and management software tools, assign an IP address, set the password and access the video stream

It is also possible to reset parameters to factory default via the web interface. Go to **Setup > System Options > Maintenance**.

## Further Information

The User Manual is available at [www.axis.com](http://www.axis.com)

Visit [www.axis.com/techsup](http://www.axis.com/techsup) to check if there is updated firmware available for your network product. To see the currently installed firmware version, go to **Setup > About**.

Visit Axis learning center [www.axis.com/academy](http://www.axis.com/academy) for useful trainings, webinars, tutorials and guides.

## Warranty Information

For information about Axis' product warranty and thereto related information, see [www.axis.com/warranty/](http://www.axis.com/warranty/)



## Informations sur la sécurité

Lisez attentivement ce guide d'installation avant d'installer l'appareil. Conservez le guide d'installation pour toute référence ultérieure.

### Niveaux de risques

#### **▲ DANGER**

Indique une situation dangereuse qui, si elle n'est pas évitée, entraînera le décès ou des blessures graves.

#### **▲ AVERTISSEMENT**

Indique une situation dangereuse qui, si elle n'est pas évitée, pourrait entraîner le décès ou des blessures graves.

#### **▲ ATTENTION**

Indique une situation dangereuse qui, si elle n'est pas évitée, pourrait entraîner des blessures légères ou modérées.

#### **AVIS**

Indique une situation qui, si elle n'est pas évitée, pourrait endommager l'appareil.

### Autres niveaux de message

#### **Important**

Indique les informations importantes, nécessaires pour assurer le bon fonctionnement de l'appareil.

#### **Note**

Indique les informations utiles qui permettront d'obtenir le fonctionnement optimal de l'appareil.

## Consignes de sécurité

### AVIS

- Le produit Axis doit être utilisé conformément aux lois et réglementations locales en vigueur.
- Conserver ce produit Axis dans un environnement sec et ventilé.
- Ne pas exposer ce produit Axis aux chocs ou aux fortes pressions.
- Ne pas installer ce produit sur des supports, surfaces ou murs instables.
- Ne pas pointer l'objectif vers le soleil ou d'autres sources de rayonnement à haute intensité, car cela pourrait causer des dommages à la caméra.
- Utiliser uniquement des outils recommandés pour l'installation de l'appareil Axis. L'application d'une force excessive sur l'appareil avec des outils puissants pourrait l'endommager.
- Ne pas utiliser de produits chimiques, de substances caustiques ou de nettoyeurs pressurisés.
- Utiliser un chiffon propre imbibé d'eau pure pour le nettoyage.
- Utiliser uniquement des accessoires conformes aux caractéristiques techniques du produit. Ils peuvent être fournis par Axis ou un tiers.
- Utiliser uniquement les pièces de rechange fournies ou recommandées par Axis.
- Ne pas essayer de réparer ce produit par vous-même. Contacter l'assistance technique d'Axis ou votre revendeur Axis pour des problèmes liés à l'entretien.
- Ne pas pointer l'objectif vers le soleil ou d'autres sources de rayonnement à haute intensité, car cela pourrait causer des dommages à la caméra.

## Transport

### AVIS

- Conservez l'emballage de protection. Lors du transport du produit Axis, l'emballage de protection doit être remis dans sa position d'origine.
- Lors du transport du produit Axis, utilisez l'emballage d'origine ou un équivalent pour éviter d'endommager le produit.

## Batterie

Le produit Axis utilise une batterie au lithium BR/CR2032 3,0 V comme alimentation de son horloge en temps réel interne (RTC). Dans des conditions normales, cette batterie a une durée de vie minimale de cinq ans.

Si la batterie est faible, le fonctionnement de l'horloge en temps réel peut être affecté et entraîner sa réinitialisation à chaque mise sous tension. Un message enregistré apparaît dans le rapport de

serveur du produit lorsque la batterie doit être remplacée. Pour tout complément d'information concernant le rapport de serveur, reportez-vous aux pages de Configuration du produit ou contactez l'assistance technique d'Axis.

La batterie doit être remplacée uniquement en cas de besoin, et pour ce faire, contactez l'assistance technique d'Axis à l'adresse [www.axis.com/techsup](http://www.axis.com/techsup) et obtenir de l'aide.

### **▲AVERTISSEMENT**

- Risque d'explosion si la batterie est remplacée de façon incorrecte.
- Remplacez-la uniquement par une batterie identique ou une batterie recommandée par Axis.
- Mettez au rebut les batteries usagées conformément aux réglementations locales ou aux instructions du fabricant de la batterie.

## Couvercle de dôme

### **AVIS**

- Veillez à ne pas rayer, endommager ou laisser d'empreintes sur le couvercle du dôme car cela pourrait altérer la qualité d'image. Laissez, si possible, la protection en plastique sur le couvercle du dôme jusqu'à la fin de l'installation.
- Ne nettoyez pas le couvercle du dôme s'il semble propre à l'œil nu et ne frottez jamais sa surface. Un nettoyage excessif pourrait endommager la surface.
- Pour le nettoyage général du couvercle du dôme, il est recommandé d'utiliser un produit non abrasif, un savon neutre sans solvant ou un détergent mélangé avec de l'eau pure et un chiffon doux propre. Rincez bien à l'eau tiède pure. Séchez avec un chiffon doux et propre pour éviter les taches d'eau.
- N'utilisez jamais de détergents agressifs, d'essence, de benzène ou d'acétone, etc. et évitez toute exposition directe aux rayons du soleil ou à des températures élevées lors du nettoyage.



## Guide d'installation

Ce Guide d'installation fournit des instructions pour l'installation de la caméra réseau à dôme AXIS P5514-E/P5515-E PTZ sur votre réseau. Pour toute autre information relative à l'utilisation du produit, consultez le manuel de l'utilisateur disponible sur le site [www.axis.com](http://www.axis.com)

## Procédures d'installation

1. Assurez-vous que les outils et autres matériels nécessaires à l'installation sont inclus dans l'emballage. Cf. *page 23*.
2. Consultez la description du matériel. Cf. *page 23*.
3. Étudiez les caractéristiques. Cf. *page 26*.
4. Installez le matériel. Cf. *page 27*.
5. Utilisez le produit. Cf. *page 31*.

## Contenu de l'emballage

- Caméra dôme réseau AXIS P5514-E/P5515-E PTZ
- Couvercle de dôme transparent non fumé (prémonté)
- Connecteur pousser-tirer RJ45 (conforme à la norme IP66)
- Pare-soleil, fourni avec vis
- Documents imprimés
  - Guide d'installation (ce document)
  - Étiquette supplémentaire de numéro de série (x2)
  - Clé d'authentification AVHS

## Accessoires en option

- Accessoires de montage AXIS T91A
- Kit de fixation suspendu AXIS T94A03L

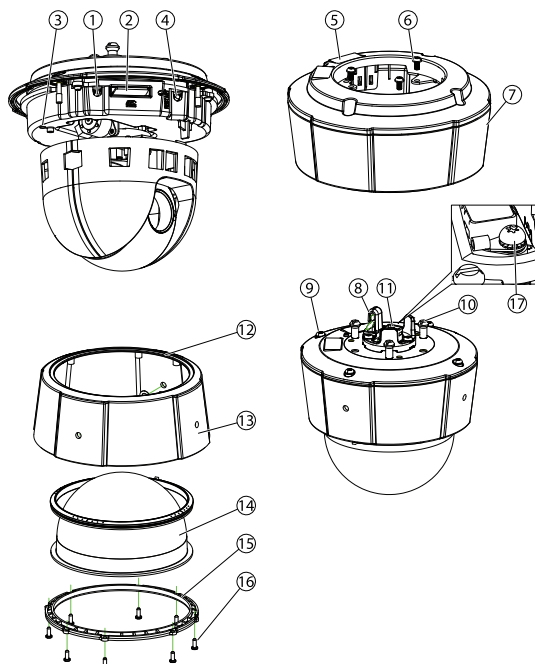
Pour plus d'informations sur les accessoires disponibles, consultez le site [www.axis.com](http://www.axis.com)

## Aperçu du matériel

### AVIS

Vérifiez que le dôme est fixé en mode de fonctionnement, sinon la mise au point peut en être affectée.

## AXIS P55-E Network Camera Series



1. *Bouton de commande*
2. *Emplacement pour carte SD*
3. *Voyant d'état*
4. *Bouton de redémarrage*
5. *Référence (P/N) et numéro de série (S/N). Le numéro de série peut être requis pendant l'installation.*
6. *Vis (3)*
7. *Pare-soleil*
8. *Crochet pour câble de sécurité*
9. *Vis du couvercle supérieur (4)*
10. *Supports de rack (3)*
11. *Connecteur réseau (PoE)*
12. *Anneau d'étanchéité*
13. *Couvercle supérieur*
14. *Couvercle de dôme*
15. *Garniture pour caméra dôme*
16. *Vis de la garniture pour caméra dôme (8)*
17. *Vis de mise à la terre*



## Voyants

Voyant d'état	Indication
Éteint	Branchement et fonctionnement normal.
Vert	Vert fixe pendant 10 secondes pour indiquer un fonctionnement normal après le démarrage.
Orange	Fixe pendant le démarrage. Clignote pendant la mise à niveau du microprogramme.
Orange / Rouge	Clignote en orange/rouge en cas d'indisponibilité ou de perte de la connexion réseau.

## Connecteurs et boutons

Pour les caractéristiques et les conditions d'utilisation, consultez *page 26*.

### Connecteur réseau

Connecteur Ethernet RJ45 avec l'alimentation par Ethernet (PoE).

#### **AVIS**

Le produit doit être connecté à l'aide d'un câble réseau blindé (STP). Tous les câbles reliant le produit au commutateur réseau doivent être destinés à leur usage spécifique. Assurez-vous que les périphériques réseau sont installés conformément aux instructions du fabricant. Pour plus d'informations sur les exigences réglementaires, consultez *Electromagnetic Compatibility (EMC) on page 2*.

### Bouton de commande

Pour connaître l'emplacement du bouton de commande, consultez *Aperçu du matériel page 23*.

Le bouton de commande permet de réaliser les opérations suivantes :

- Réinitialisation du produit aux paramètres d'usine par défaut. Cf. *page 31*.
- Connexion au service du Système d'hébergement vidéo AXIS ou au service AXIS Internet Dynamic DNS. Pour plus d'informations sur ces services, reportez-vous au Manuel de l'utilisateur.

### Bouton de redémarrage

Appuyez sur le bouton de redémarrage pour redémarrer l'appareil.

# AXIS P55-E Network Camera Series

---

## Emplacement pour carte SD

### AVIS

- La carte SD risque d'être endommagée. Ne pas utiliser d'outils tranchants et ne pas forcer lors de l'insertion ou du retrait de la carte SD.
- Risque de perte de données. Pour éviter la corruption des données, la carte SD doit être démontée avant son retrait. Pour ce faire, rendez-vous dans **Setup > System Options > Storage > SD Card (Configuration > Options du système > Stockage > Carte SD)** et cliquez sur **Unmount (Démonter)**.

Cet appareil est compatible avec une carte SD/SDHC/SDXC (non incluse).

Pour obtenir des conseils sur la carte SD, rendez-vous sur [www.axis.com](http://www.axis.com)

## Caractéristiques techniques

### Conditions d'utilisation

Classification	Température	Humidité
IEC 60721-4-3 Classe 3K3, 3M3 + B38 IEC 60068-2	-20 °C à 50 °C (-4 °F à 122 °F)	Humidité relative de 15 à 100 % (avec condensation)

### Consommation électrique

#### AVIS

Utilisez une source d'alimentation limitée (LPS) dont la puissance de sortie nominale est limitée à  $\leq 100$  W ou dont le courant de sortie nominal est limité à  $\leq 5$  A.

PoE
Alimentation par Ethernet (PoE) IEEE 802.3af/802.3at Type 1 Classe 3 max. 12,95 W

## Installation du matériel

### AVIS

Le produit doit être connecté à l'aide d'un câble réseau blindé (STP). Tous les câbles reliant le produit au commutateur réseau doivent être destinés à leur usage spécifique. Assurez-vous que les périphériques réseau sont installés conformément aux instructions du fabricant. Pour plus d'informations sur les exigences réglementaires, consultez *Electromagnetic Compatibility (EMC) on page 2*.

Fixez le produit en orientant le dôme vers le bas.

Lisez toutes les instructions avant de préparer l'installation de la caméra réseau. En effet, de nombreuses étapes de cette préparation requièrent le retrait du couvercle supérieur et il serait plus judicieux de les effectuer ensemble.

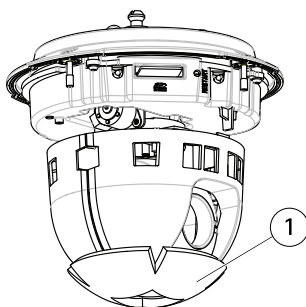
Le pare-soleil doit être retiré pour installer/enlever une carte SD.

- Avant l'installation, retirez la caméra de son emballage de protection.
- Ce produit est fourni avec un couvercle de dôme transparent clair (prémonté) et un couvercle de dôme transparent fumé. Pour remplacer le couvercle du dôme, reportez-vous à *page 28*.
- Une carte SD standard ou à haute capacité (non fournie) peut être utilisée pour sauvegarder des enregistrements dans l'appareil. Cf. *page 28*.
- Pour installer l'appareil à l'aide d'un support compatible à partir des accessoires de montage AXIS T91A (vendus séparément), reportez-vous à *page 29*.

## Retirez l'emballage de protection

Pour connaître l'emplacement des composants, consultez *Aperçu du matériel page 23*.

1. Desserrez les quatre vis du couvercle supérieur pour le retirer.
2. Retirez l'emballage de protection.



1 Emballage de protection

## AXIS P55-E Network Camera Series

---

3. Pour remplacer le couvercle de dôme fumé/non fumé, voir *page 28*. Pour installer une carte SD, consultez *page 28*.
4. Remettez le couvercle supérieur en place et serrez deux vis diamétralement opposées à un couple de  $< 0,7$  N m avant de serrer les deux autres vis.

### Remplacement du couvercle du dôme

#### Important

Ce produit est équipé d'une membrane de déshumidification qui permet de maintenir des niveaux d'humidité bas à l'intérieur du dôme. Pour éviter toute condensation, ne démontez pas la caméra par temps pluvieux ou humide.

#### Note

Veillez à ne pas rayer ou endommager la bulle du dôme. Laissez, si possible, la protection en plastique sur le couvercle du dôme jusqu'à la fin de l'installation.

Le remplacement du couvercle du dôme est nécessaire seulement si vous souhaitez utiliser un couvercle de dôme fumé ou si le couvercle du dôme est rayé ou endommagé. Les couvercles de dôme fumés et les couvercles de dôme non fumés de rechange peuvent être achetés auprès d'un revendeur Axis.

Pour connaître l'emplacement des composants, consultez *Aperçu du matériel page 23*.

1. Desserrez les vis du couvercle supérieur pour le retirer.
2. Desserrez les 8 vis de l'anneau du dôme, puis retirez ce dernier du couvercle supérieur.
3. Fixez l'anneau et la bulle de remplacement du dôme sur le couvercle supérieur, puis serrez les vis (couple 0,4 à 0,6 N m).
4. Pour installer une carte SD (non incluse), reportez-vous à *page 28*.
5. Remettez le couvercle supérieur en place et serrez deux vis opposées à un couple de  $< 0,7$  N m avant de serrer les autres vis.

### Installation d'une carte SD

#### AVIS

Pour éviter la corruption des enregistrements, la carte SD doit être démontée avant son éjection. Pour ce faire, rendez-vous dans **Setup > System Options > Storage > SD Card (Configuration > Options du système > Stockage > Carte SD)** et cliquez sur **Unmount (Démonter)**.

Il est possible, en option, d'installer une carte SD standard ou à haute capacité (non fournie) qui peut être utilisée pour l'enregistrement local et le stockage amovible.

Pour connaître l'emplacement des composants, consultez *Aperçu du matériel page 23*.

1. Retirez le pare-soleil.
2. Desserrez les 4 vis du couvercle supérieur pour le retirer.
3. Insérez une carte SD (non fournie) dans l'emplacement pour carte SD.
4. Remettez le couvercle supérieur en place et serrez deux vis diamétralement opposées à un couple de  $< 0,7$  N m avant de serrer les deux autres.
5. Remettez en place le pare-soleil, puis serrez les vis.

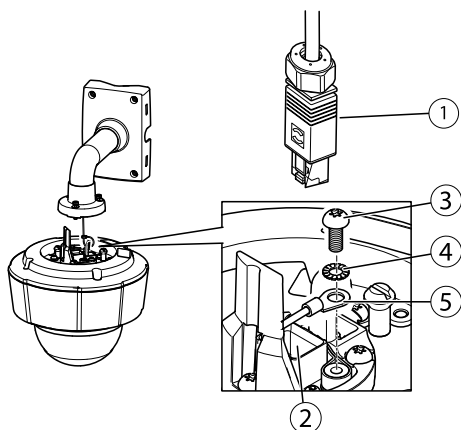
### Installation de la caméra sur un support mural (vendu séparément)

#### **▲AVERTISSEMENT**

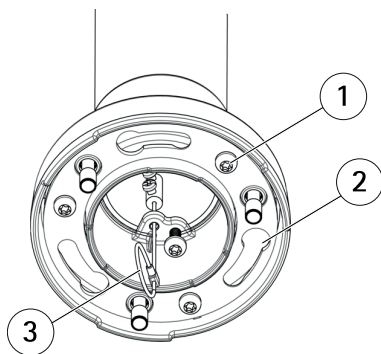
- Risque de choc électrique. Le produit doit être mis à la terre à l'aide d'un câble de mise à la terre. Assurez-vous que les deux extrémités du câble de mise à la terre sont en contact avec les surfaces de mise à la terre correspondantes.

#### **AVIS**

- Pour être conforme à la norme IP66 de la caméra et maintenir la protection IP66, il est nécessaire d'utiliser le connecteur pousser-tirer RJ45 fourni (conforme à la norme IP66). Sinon, utilisez le câble RJ45 compatible norme IP66 avec connecteur préinstallé, disponible auprès d'un revendeur Axis. Ne retirez pas le blindage en plastique du connecteur réseau de la caméra.
  - Veillez à ne pas endommager le câble réseau lorsque vous le connectez.
1. Installez le support (non fourni) conformément aux instructions fournies avec le support. S'il s'avère nécessaire de percer, vérifiez que les forets, vis et chevilles à utiliser sont appropriés pour le matériau. Consultez le site [www.axis.com](http://www.axis.com) pour plus d'informations sur les accessoires de montage disponibles.
  2. Sécurisez la caméra à l'aide du câble de sécurité fourni.
  3. Acheminez le câble réseau et un câble de mise à la terre à travers les orifices du support de montage. Veillez à ce que le câble de mise à la terre soit aussi court que possible afin que le trajet du courant soit le plus court possible.
  4. Desserrez les vis de mise à la terre et retirez la rondelle et la cosse de câble.



1. *Connecteur réseau - Connecteur pousser-tirer RJ45 (conforme à la norme IP66)*
  2. *Connecteur réseau et blindage du connecteur réseau*
  3. *Vis de mise à la terre T20*
  4. *Rondelle*
  5. *Cosse de câble*
5. Fixez le câble de mise à la terre (couple de 1,5 à 2 Nm) à la cosse de câble à l'aide de pinces à sertir pour cosses de câble.
  6. Remettez la cosse de câble et la rondelle en place et serrez la vis (couple 0,5 Nm). Assurez-vous que la cosse de câble est en contact avec la surface de mise à la terre.
  7. Branchez le connecteur pousser-tirer RJ45 fourni (conforme à la norme IP66) au câble réseau en suivant les instructions fournies.



- 1 *Vis*
- 2 *Supports de rack*
- 3 *Câble de sécurité*

8. Connectez le câble réseau à la caméra.
9. Glissez les supports de l'appareil sur la caméra réseau dans les fentes du support de montage et faites tourner la caméra.
10. Sécurisez la caméra réseau sur le support de montage en serrant les vis.

## Utilisez le produit

Si vous souhaitez rechercher des produits Axis sur le réseau ou leur affecter des adresses IP sous Windows®, nous recommandons l'utilisation des applications AXIS IP Utility et AXIS Camera Management. Ces deux applications sont gratuites et peuvent être téléchargées depuis [www.axis.com/techsup](http://www.axis.com/techsup)

Le produit peut être utilisé avec la plupart des systèmes d'exploitation et des navigateurs. Les navigateurs recommandés sont

- Internet Explorer® avec Windows®,
- Safari® avec OS X®
- Chrome™ ou Firefox® avec les autres systèmes d'exploitation.

Pour plus d'informations concernant l'utilisation du produit, consultez le manuel de l'utilisateur disponible sur le site [www.axis.com](http://www.axis.com)

## Réinitialisation aux paramètres d'usine par défaut

### Important

La réinitialisation aux paramètres par défaut doit être utilisée avec prudence. Cette opération reconfigure tous les paramètres, y compris l'adresse IP, aux valeurs d'usine par défaut.

### Note

Les logiciels d'installation et de gestion sont disponibles sur les pages d'assistance du site [www.axis.com/techsup](http://www.axis.com/techsup)

Pour réinitialiser l'appareil aux paramètres d'usine par défaut :

1. Appuyez sur le bouton de commande et le bouton de redémarrage en même temps et maintenez-les enfoncés.
2. Relâchez le bouton de redémarrage tout en maintenant le bouton de commande enfoncé pendant 15 à 30 secondes, jusqu'à ce que le voyant clignote en orange.
3. Relâchez le bouton de commande. Le processus est terminé lorsque le voyant d'état passe au vert. Les paramètres d'usine par défaut de l'appareil ont été rétablis. En l'absence d'un serveur DHCP sur le réseau, l'adresse IP par défaut est 192.168.0.90.

4. Utilisez les outils d'installation et de gestion pour attribuer une adresse IP, configurer le mot de passe et accéder au flux de données vidéo.

Il est également possible de rétablir les paramètres d'usine à partir de l'interface Web. Accédez à **Setup > System Options > Maintenance (Configuration > Options du système > Maintenance)**.

### Pour obtenir plus de renseignements

Le Manuel de l'utilisateur est disponible à l'adresse suivante : [www.axis.com](http://www.axis.com)

Consultez le site [www.axis.com/techsup](http://www.axis.com/techsup) pour vérifier si une mise à jour du microprogramme est disponible pour votre appareil réseau. Pour connaître la version du microprogramme actuellement installée, reportez-vous à la page **Setup > About (Configuration > À propos de)**.

Visitez le centre de formation en ligne Axis sur le site [www.axis.com/academy](http://www.axis.com/academy) pour en savoir plus sur les formations, les webinaires, les tutoriels et les guides.

### Informations sur la garantie

Pour obtenir de plus amples informations sur la garantie du produit AXIS et des renseignements connexes, allez sur le site [www.axis.com/warranty/](http://www.axis.com/warranty/)



## Sicherheitsinformation

Lesen Sie das Installationshandbuch sorgfältig durch bevor sie das Produkt installieren. Bewahren Sie das Installationshandbuch für zukünftige Zwecke auf.

### Gefährdungsstufen

**▲GEFAHR**

Weist auf eine gefährliche Situation hin, die, falls nicht verhindert, zu Tod oder schweren Verletzungen führt.

**▲WARNUNG**

Weist auf eine gefährliche Situation hin, welche, falls nicht verhindert, zu Tod oder schweren Verletzungen führen kann.

**▲VORSICHT**

Weist auf eine gefährliche Situation hin, welche, falls nicht verhindert, zu geringfügiger oder mäßiger Verletzung führen kann.

**HINWEIS**

Weist auf eine gefährliche Situation hin, welche, falls nicht verhindert, zu Sachschäden führen kann.

### Weitere Nachrichtenstufen

**Wichtig**

Weist auf wichtige Informationen hin, die den richtigen Betrieb des Produkts gewährleisten.

**Beachten**

Weist auf nützliche Informationen hin, die die optimale Verwendung des Produkts unterstützen.

## Sicherheitsanweisungen

### **HINWEIS**

- Die Anwendung des Axis Produkts muss unter Beachtung der örtlich geltenden rechtlichen Bestimmungen erfolgen.
- Lagern Sie das Axis Produkt in einer trockenen und belüfteten Umgebung.
- Achten Sie darauf, dass das Axis Produkt weder Stößen noch starkem Druck ausgesetzt ist.
- Installieren Sie das Produkt nicht an instabilen Halterungen, Oberflächen oder Wänden.
- Vermeiden Sie, dass Sie die Kamera direkt in die Sonne oder andere hochintensive Strahlungsquellen ausrichten, da dies Schäden an der Kamera verursachen kann.
- Verwenden Sie bei der Installation des Axis Produkts ausschließlich passende Werkzeuge. Ein zu großer Kraftaufwand mit elektrischen Werkzeugen kann das Produkt beschädigen.
- Verwenden Sie keine chemischen, ätzenden oder aerosolhaltigen Reinigungsmittel.
- Verwenden Sie zum Reinigen ein sauberes, mit lauwarmem Wasser angefeuchtetes Tuch.
- Verwenden Sie nur Zubehör, das den technischen Daten des Produkts entspricht. Dieses ist von Axis oder Drittanbietern erhältlich.
- Verwenden Sie ausschließlich Ersatzteile die von Axis bereitgestellt oder empfohlen werden.
- Versuchen Sie nicht, das Produkt selbstständig zu reparieren. Wenden Sie sich bezüglich Reparatur und Wartung an den Axis Support oder Ihren Axis Händler.
- Vermeiden Sie, dass Sie die Kamera direkt in die Sonne oder andere hochintensive Strahlungsquellen ausrichten, da dies Schäden an der Kamera verursachen kann.

## Transport

### **HINWEIS**

- Bewahren Sie die Schutzverpackung auf. Bei Bedarf Axis Produkt in der Originalverpackung transportieren.
- Bei Bedarf transportieren Sie das Axis Produkt in der Originalverpackung oder einer entsprechenden Verpackung, so dass Schäden vermieden werden.

## Batterie

Das Axis-Produkt ist mit einer 3,0 V-BR/CR2032-Lithium-Batterie ausgestattet, mit der die interne Echtzeituhr (RTC) versorgt wird. Unter normalen Bedingungen hat die Batterie eine Lebensdauer von mindestens fünf Jahren.

Bei entladener Batterie ist der Betrieb der Echtzeituhr nicht mehr gewährleistet, sodass die Uhr bei jedem Systemstart zurückgesetzt wird. Sie erhalten eine Protokollnachricht im Serverbericht des

Produkts, wenn ein Batteriewechsel erforderlich ist. Weitere Informationen über den Serverbericht finden Sie auf den Setup-Seiten des Produkts, oder wenden Sie sich an den Axis Support.

Die Batterie sollte nur bei Bedarf ersetzt werden. Wenden Sie sich in diesem Fall an den Axis Support unter [www.axis.com/techsup](http://www.axis.com/techsup).

## **▲WARNUNG**

- Explosionsgefahr bei fehlerhaftem Batteriewechsel.
- Die Batterie darf nur durch eine identische Batterie oder eine von Axis empfohlene Batterie ersetzt werden.
- Verbrauchte Batterien sind gemäß den örtlichen Vorschriften oder den Anweisungen des Herstellers zu entsorgen.

## Kuppelabdeckung

### **HINWEIS**

- Achten Sie darauf die Kuppelabdeckung weder zu zerkratzen, zu beschädigen oder darauf Fingerabdrücke zu hinterlassen, da dies die Bildqualität beeinträchtigen kann. Falls möglich entfernen Sie die Schutzfolie erst nachdem die Installation abgeschlossen ist.
- Säubern Sie niemals eine Kuppelabdeckung, wenn diese sauber erscheint, und polieren Sie keinesfalls die Oberfläche. Zu häufiges Säubern kann die Oberfläche beschädigen.
- Für die normale Reinigung der Kuppelabdeckung werden eine nicht-scheuernde, lösungsmittelfreie neutrale Seife oder ein entsprechendes Reinigungsmittel mit destilliertem Wasser und ein sauberer, weicher Lappen empfohlen. Spülen Sie die Kuppelabdeckung gründlich mit lauwarmem destilliertem Wasser ab. Trocknen Sie die Kuppelabdeckung mit einem weichen, sauberen Lappen, um Wasserflecken zu vermeiden.
- Verwenden Sie niemals starke Reinigungsmittel, Benzin, Benzol oder Aceton etc. und vermeiden Sie, die Kuppelabdeckung im direkten Sonnenlicht oder bei erhöhten Temperaturen zu säubern.



## Installationsanleitung

Die Installationsanleitung enthält Anweisungen zur Installation der AXIS P5514-E/P5515-E PTZ-Dome-Netzwerk-Kamera in Ihrem Netzwerk. Weitere Informationen zur Nutzung dieses Produkts finden Sie im Benutzerhandbuch unter [www.axis.com](http://www.axis.com).

### Installationschritte

1. Stellen Sie sicher, dass die Packungsinhalte, Werkzeuge und andere notwendige Materialien für die Installation in Ordnung sind. Siehe *Seite 37*.
2. Machen Sie sich mit der Hardware-Übersicht vertraut. Siehe *Seite 37*.
3. Machen Sie sich mit den technischen Daten vertraut. Siehe *Seite 40*.
4. Installieren Sie die Hardware. Siehe *Seite 41*.
5. Greifen Sie auf das Produkt zu. Siehe *Seite 45*.

### Lieferumfang

- AXIS P5514-E/P5515-E PTZ-Dome-Netzwerk-Kamera
- Klare, transparente Kuppelabdeckung (vormontiert)
- RJ-45 Push-Pull-Steckverbinder (IP66)
- Sonnenblende inklusive Schrauben
- Gedruckte Dokumente
  - Installationsanleitung (dieses Dokument)
  - Zusätzliche Etiketten mit der Seriennummer (2x)
  - AVHS-Authentifizierungsschlüssel

### Optionales Zubehör

- AXIS T91A Montagezubehör
- AXIS T94A03L Satz für die versenkte Montage

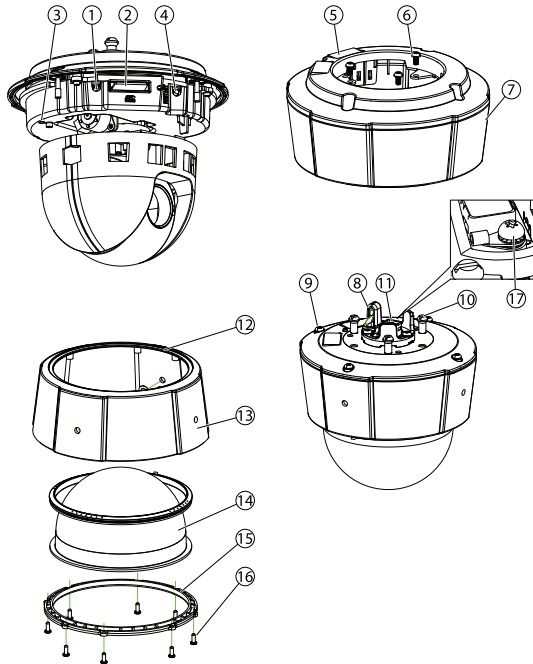
Unter [www.axis.com](http://www.axis.com) finden Sie Informationen über verfügbares Zubehör.

### Übersicht über die Hardware

#### **HINWEIS**

Stellen Sie sicher, dass die Kuppel bei Betrieb angebracht ist, andernfalls kann der Fokus beeinträchtigt sein.

# AXIS P55-E Network Camera Series



1. *Steuertaste*
2. *SD-Kartensteckplatz*
3. *LED-Statusanzeige*
4. *Neustart-Taste*
5. *Bestellnummer (P/N) und Seriennummer (S/N). Die Seriennummer wird möglicherweise für die Installation benötigt.*
6. *Schrauben (3)*
7. *Sonnenblende*
8. *Haken für Sicherheitsdraht*
9. *Schrauben für obere Abdeckung (4)*
10. *Kamerabefestigungen (3)*
11. *Netzwerkanschluss (PoE)*
12. *Dichtungsring*
13. *Obere Abdeckung*
14. *Kuppelabdeckung*
15. *Kuppelring*
16. *Kuppelringschrauben (8x)*
17. *Erdungsschraube*

## LEDs

Status-LED	Bedeutung
Leuchtet nicht	Anschluss und Normalbetrieb
Grün	Leuchtet bei Normalbetrieb nach Abschluss des Startvorgangs 10 Sekunden lang grün.
Gelb	Leuchtet beim Start. Blinkt bei der Firmware-Aktualisierung.
Gelb/rot	Blinkt gelb/rot, wenn die Netzwerkverbindung nicht verfügbar ist oder unterbrochen wurde.

## Anschlüsse und Tasten

Für die technischen Daten und Betriebsbedingungen siehe *Seite 40*.

### Netzwerkanschluss

RJ-45-Ethernetanschluss mit Power over Ethernet (PoE).

#### **HINWEIS**

Das Produkt muss mit einem abgeschirmten Netzkabel (STP) angeschlossen werden. Alle Kabel, die das Produkt mit dem Netzwerkschalter verbinden, müssen hierfür ausgelegt sein. Stellen Sie sicher, dass die Netzwerkgeräte gemäß den Anweisungen des Herstellers installiert wurden. Informationen zu gesetzlichen Bestimmungen finden Sie unter *Electromagnetic Compatibility (EMC) on page 2*.

### Steuertaste

Die Steuertaste befindet sich an folgender Stelle: *Übersicht über die Hardware auf Seite 37*.

Die Steuertaste hat folgende Funktionen:

- Zurücksetzen des Produkts auf die Werkseinstellungen. Siehe *Seite 45*.
- Verbinden mit einem AXIS Video Hosting System-Service oder einem AXIS Internet Dynamic DNS-Service. Weitere Informationen zu diesen Diensten finden Sie in der Bedienungsanleitung.

### Neustart-Taste

Drücken Sie die Neustart-Taste, um das Produkt neu zu starten.

# AXIS P55-E Network Camera Series

---

## SD-Kartensteckplatz

### HINWEIS

- Gefahr von Schäden an der SD-Karte. Verwenden Sie beim Einlegen oder Entfernen der SD-Karte keine scharfen/spitzen Werkzeuge und wenden Sie nicht zu viel Kraft an.
- Gefahr vor Datenverlust. Um einer Beschädigung der Aufnahmen vorzubeugen, sollte die SD-Karte vor dem mechanischen Auswerfen getrennt werden. Rufen Sie zum Trennen Setup > System Options > Storage > SD Card (Einrichtung > Systemoptionen > Speicher > SD-Karte) auf und klicken Sie auf Unmount (Trennen).

Dieses Produkt unterstützt SD-/SDHC-/SDXC-Karten (separat erhältlich).

Empfehlungen zu SD-Karten finden Sie unter [www.axis.com](http://www.axis.com).

## Technische Daten

### Betriebsbedingungen

Klassifikation	Temperatur	Luftfeuchtigkeit
IEC 60721-4-3 Klasse 3K3, 3M3 + B38 IEC 60068-2	-20 °C bis 50 °C	Relative Luftfeuchtigkeit 15 bis 100 % RH (kondensierend)

### Stromverbrauch

#### HINWEIS

Verwenden Sie eine Stromquelle mit begrenzter Leistung (LPS), entweder mit einer Nennausgangsleistung von  $\leq 100$  W oder einem dauerhaft auf  $\leq 5$  A begrenzten Nennausgangsstrom.

PoE
Power over Ethernet (PoE) IEEE 802.3af/802.3at Typ 1 Klasse 3 max. 12,95 W



## Installieren der Hardware

### HINWEIS

Das Produkt muss mit einem abgeschirmten Netzkabel (STP) angeschlossen werden. Alle Kabel, die das Produkt mit dem Netzwerkschalter verbinden, müssen hierfür ausgelegt sein. Stellen Sie sicher, dass die Netzwerkgeräte gemäß den Anweisungen des Herstellers installiert wurden. Informationen zu gesetzlichen Bestimmungen finden Sie unter *Electromagnetic Compatibility (EMC) on page 2*.

Befestigen Sie das Produkt mit der Kuppel nach unten.

Lesen Sie zunächst alle Anweisungen, bevor Sie mit der Installationsvorbereitung der Netzwerk-Kamera beginnen. Bei einigen Vorbereitungsschritten muss die obere Abdeckung abgenommen werden, sodass es sinnvoll ist, diese Schritte zusammen durchzuführen.

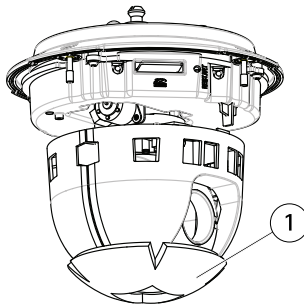
Die Sonnenblende muss entfernt werden, um eine SD-Karte zu installieren/entfernen.

- Entfernen Sie vor der Installation der Kamera die Transportsicherung.
- Das Produkt wird mit einer transparenten Klarglas-Kuppelabdeckung (vormontiert) und einer Rauchglas-Kuppelabdeckung geliefert. Weitere Informationen zum Austausch der Kuppelabdeckung finden Sie unter *Seite 42*.
- Eine Standard- oder SD-Karte mit hoher Kapazität (nicht enthalten) kann verwendet werden, um Aufnahmen direkt auf dem Produkt zu speichern. Siehe *Seite 42*.
- Weitere Informationen zur Installation des Produkts mit einer kompatiblen Halterung des AXIS T91A Montagezubehörs (separat erhältlich) finden Sie unter *Seite 43*.

### Entfernen Sie die Transportsicherung.

Die Position der Komponenten finden Sie unter *Übersicht über die Hardware auf Seite 37*.

1. Lösen Sie die vier Schrauben der oberen Abdeckung und nehmen Sie die Abdeckung ab.
2. Entfernen Sie die Transportsicherung.



1 Transportsicherung

3. Weitere Informationen zum Austauschen der klaren/getönten Kuppelabdeckung finden Sie unter *Seite 42*. Weitere Informationen zur Installation einer SD-Speicherkarte finden Sie unter *Seite 42*.
4. Bringen Sie die obere Abdeckung wieder an der ursprünglichen Position an und ziehen Sie zuerst die diagonal gegenüberliegenden Schrauben (Anzugsmoment < 0,7 Nm) und dann die anderen beiden Schrauben fest.

### Austauschen der Kuppelabdeckung

#### Wichtig

Dieses Produkt ist mit einer Entfeuchtungsmembrane ausgestattet, um die Feuchtigkeit in der Kuppel gering zu halten. Um Kondenswasserbildung zu vermeiden, demontieren Sie die Kamera nicht im Regen oder unter feuchten Bedingungen.

#### Beachten

Achten Sie darauf, die Kuppelabdeckung nicht zu zerkratzen oder zu beschädigen. Falls möglich, entfernen Sie die Schutzfolie erst nach Abschluss der Installation.

Der Austausch der Kuppelabdeckung ist nur erforderlich, wenn Sie die Rauchglas-Kuppelabdeckung verwenden möchten, die Kuppelabdeckung zerkratzt ist oder Risse hat. Getönte Kuppelabdeckungen oder klare Ersatzabdeckungen können über Ihren Axis Händler erworben werden.

Die Position der Komponenten finden Sie unter *Übersicht über die Hardware auf Seite 37*.

1. Lösen Sie die Schrauben der oberen Abdeckung und nehmen Sie die Abdeckung ab.
2. Lösen Sie die 8 Schrauben des Kuppelrings und entfernen Sie den Kuppelring von der oberen Abdeckung.
3. Bringen Sie den Kuppelring und die Ersatz-Kuppelabdeckung an der oberen Abdeckung an und befestigen Sie diese, indem Sie die Schrauben anziehen (Drehmoment 0,4 bis 0,6 Nm).
4. Weitere Informationen zur Installation einer SD-Karte (nicht im Lieferumfang enthalten) finden Sie unter *Seite 42*.
5. Bringen Sie die obere Abdeckung wieder an der ursprünglichen Position an und ziehen Sie zuerst die beiden diagonal gegenüberliegenden Schrauben (Drehmoment < 0,7 Nm) und dann die anderen Schrauben fest.

### Installation einer SD-Karte

#### HINWEIS

Um einer Beschädigung der Aufnahmen vorzubeugen, sollte die SD-Karte getrennt werden, bevor diese ausgeworfen wird. Rufen Sie zum Trennen **Setup > System Options > Storage > SD Card** (Einrichtung > Systemoptionen > Speicher > SD-Karte) auf und klicken Sie auf **Unmount** (Trennen).

Sie können für Aufzeichnungen auf Wechselspeichermedien optional eine Standard- oder eine SD-Speicherkarte mit hoher Kapazität (nicht enthalten) installieren.

Die Position der Komponenten finden Sie unter *Übersicht über die Hardware auf Seite 37*.

1. Entfernen Sie die Sonnenblende.
2. Lösen Sie die 4 Schrauben der oberen Abdeckung und nehmen Sie die Abdeckung ab.
3. Schieben Sie die SD-Karte (nicht enthalten) in den SD-Karteneinschub.
4. Bringen Sie die obere Abdeckung wieder an der ursprünglichen Position an und ziehen Sie zuerst die diagonal gegenüberliegenden Schrauben (Anzugsmoment < 0,7 Nm) und dann die anderen Schrauben fest.
5. Bringen Sie die Sonnenblende wieder an der ursprünglichen Position an und ziehen Sie die Schrauben fest.

## Anbringen der Kamera an einer Halterung (separat erhältlich)

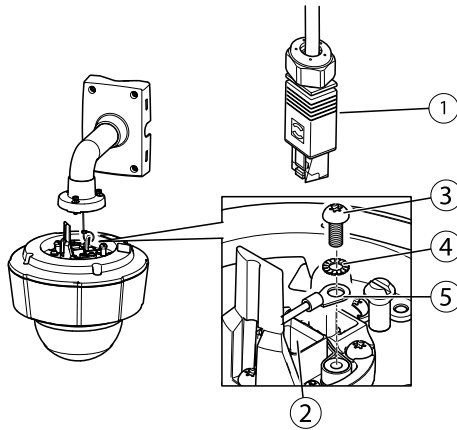
### **⚠WARNUNG**

- Stromschlaggefahr. Das Produkt sollte mit einem Erdungskabel geerdet werden. Sorgen Sie dafür, dass beide Enden des Erdungskabels Kontakt mit den entsprechenden Erdungsflächen haben.

### **HINWEIS**

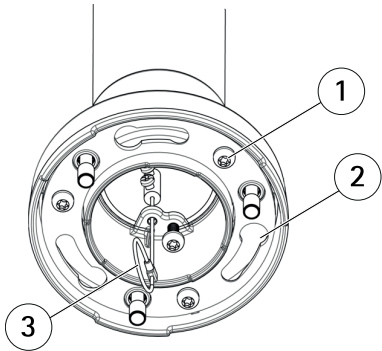
- Verwenden Sie den im Lieferumfang enthaltenen RJ-45 Push-Pull-Steckverbinder (IP66), um die IP66-Schutzart der Kamerabauweise einzuhalten und den IP66-Schutz beizubehalten. Sie können auch das RJ45-Kabel mit IP66-Rating und vorbelegtem Stecker verwenden. Dieses erhalten Sie bei Ihrem Axis Händler. Entfernen Sie nicht die Kunststoffabschirmung des Anschlusses von der Kamera.
  - Schließen Sie das Netzkabel sorgfältig an, damit es nicht beschädigt wird.
1. Installieren Sie die Halterung (nicht enthalten) entsprechend der Halterungsanleitung. Falls das Bohren von Löchern erforderlich ist, stellen Sie sicher, dass die Bohrer, Schrauben und Dübel für den Baustoff der Wand/Decke geeignet sind. Unter [www.axis.com](http://www.axis.com) finden Sie Informationen über verfügbares Montagezubehör.
  2. Sichern Sie die Kamera mit dem mitgelieferten Sicherheitsdraht.
  3. Führen Sie das Netzkabel und das Erdungskabel durch die Öffnungen in der Montagehalterung. Halten Sie die Masseleitung so kurz wie möglich.
  4. Lösen Sie die Masseschraube und entfernen Sie die Unterlegscheibe und den Kabelschuh.

# AXIS P55-E Network Camera Series



1. *Netzwerkanschluss – RJ-45 Push-Pull-Steckverbinder (IP66)*
2. *Netzwerkstecker und Abschirmung des Netzwerksteckers*
3. *Masseschraube T20*
4. *Unterlegscheibe*
5. *Kabelschuh*

5. Befestigen Sie das Erdungskabel mithilfe der Kabelschuh-Zange (Drehmoment 1,5 bis 2 Nm) am Kabelschuh.
6. Bringen Sie den Kabelschuh und die Unterlegscheibe zurück in die Originalposition und ziehen Sie die Schrauben fest (Drehmoment 0,5 Nm). Sorgen Sie dafür, dass der Kabelschuh Kontakt zur Erdungsfläche hat.
7. Verbinden Sie den mitgelieferten RJ-45 Push-Pull-Steckverbinder (IP66) mit dem Netzkabel, entsprechend der mit dem Stecker gelieferten Anleitung.



1. *Schraube*
2. *Aussparungen für Kamerabefestigungen*

## 3 Sicherheitsdraht

8. Schließen Sie das Netzkabel an die Kamera an.
9. Schieben Sie die Gerätehalterung der Netzwerkkamera in die Öffnungen der Montagehalterung und drehen Sie die Kameraeinheit.
10. Befestigen Sie die Netzwerkkamera an der Wandhalterung, indem Sie die Schrauben festziehen.

## Zugriff auf das Produkt

Für die Suche nach Axis Produkten im Netzwerk und zur Zuweisung einer IP-Adresse unter Windows® werden AXIS IP Utility und AXIS Camera Management empfohlen. Beide Anwendungen sind kostenlos und können von unserer Website unter [www.axis.com/techsup](http://www.axis.com/techsup) heruntergeladen werden.

Das Produkt ist mit den meisten Standard-Betriebssystemen und Browsern kompatibel. Empfohlen werden die Browser

- Internet Explorer® unter Windows®
- Safari® unter OS X®
- Chrome™ oder Firefox® unter anderen Betriebssystemen

Weitere Informationen zur Nutzung dieses Produkts finden Sie im Benutzerhandbuch unter [www.axis.com](http://www.axis.com).

## Zurücksetzen auf Werkseinstellungen

### Wichtig

Das Zurücksetzen auf die Werkseinstellungen sollte mit Vorsicht verwendet werden. Beim Zurücksetzen auf die Werkseinstellungen werden alle Einstellungen einschließlich der IP-Adresse auf die Werkseinstellungen zurückgesetzt.

### Beachten

Die Software-Tools für Installation und Verwaltung sind über die Supportseiten unter [www.axis.com/techsup](http://www.axis.com/techsup) verfügbar.

So wird das Produkt auf die Werkseinstellungen zurückgesetzt:

1. Halten Sie die Steuertaste und die Neustarttaste gleichzeitig gedrückt.
2. Lassen Sie die Neustarttaste los, halten Sie die Steuertaste jedoch für weitere 15 bis 30 Sekunden gedrückt, bis die LED-Statusanzeige gelb blinkt.
3. Lassen Sie die Steuertaste los. Der Vorgang ist abgeschlossen, wenn die LED-Statusanzeige grün leuchtet. Das Produkt wurde auf die Werkseinstellungen

# AXIS P55-E Network Camera Series

---

zurückgesetzt. Wenn kein DHCP-Server im Netzwerk verfügbar ist, lautet die Standard-IP-Adresse 192.168.0.90.

4. Verwenden Sie die Software-Tools für Installation und Verwaltung, um eine IP-Adresse zuzuweisen, ein Kennwort einzurichten und auf den Videostream zuzugreifen.

Die Parameter können auch über die Weboberfläche auf die Werkseinstellungen zurückgesetzt werden. Rufen Sie **Setup > System Options > Maintenance (Setup > Systemoptionen > Wartung)** auf.

## Weitere Informationen

Das Benutzerhandbuch finden Sie unter [www.axis.com](http://www.axis.com).

Unter [www.axis.com/techsup](http://www.axis.com/techsup) finden Sie Firmware-Aktualisierungen für Ihre Netzwerkprodukte. Um die aktuell installierte Firmware-Version zu sehen, gehen Sie auf **Einrichten > Über**.

Besuchen Sie das Axis-Schulungszentrum [www.axis.com/academy](http://www.axis.com/academy) für anregende Schulungen, Webinare, Lernprogramme und Anleitungen.

## Gewährleistungsinformationen

Informationen zur Gewährleistung der Axis Produkte und andere, hierzu relevante Informationen, finden Sie unter [www.axis.com/warranty/](http://www.axis.com/warranty/)

## Informazioni di sicurezza

Leggere con attenzione questa guida all'installazione prima di installare il dispositivo. Conservare questo documento per usi futuri.

### Livelli di pericolo

**▲PERICOLO**

Indica una situazione pericolosa che, se non evitata, provoca morte o lesioni gravi.

**▲AVVERTENZA**

Indica una situazione pericolosa che, se non evitata, può provocare la morte o lesioni gravi.

**▲ATTENZIONE**

Indica una situazione pericolosa che, se non evitata, può provocare lesioni medie o minori.

**AWISO**

Indica una situazione che, se non evitata, può danneggiare la proprietà.

### Altri livelli di messaggio

**Importante**

Indica informazioni importanti, essenziali per il corretto funzionamento del dispositivo.

**Nota**

Indica informazioni utili che aiutano a ottenere il massimo dal dispositivo.

## Istruzioni di sicurezza

### **AWISO**

- Il dispositivo Axis deve essere utilizzato in conformità alle leggi e alle disposizioni locali.
- Conservare il dispositivo Axis in un ambiente asciutto e ventilato.
- Evitare di esporre il dispositivo Axis a urti o pressioni eccessive.
- Non installare il dispositivo su supporti, superfici o pareti instabili.
- Non puntare l'obiettivo della telecamera verso il sole o altre sorgenti di radiazioni ad alta intensità, perché questo potrebbe causare danni alla telecamera.
- Utilizzare solo strumenti applicabili quando si installa il dispositivo Axis. Se si utilizza una forza eccessiva con gli strumenti dell'alimentazione è possibile causare danni al dispositivo.
- Non utilizzare sostanze chimiche, agenti caustici o detergenti aerosol.
- Utilizzare un panno pulito inumidito in acqua pura per la pulizia.
- Utilizzare solo accessori compatibili con le specifiche tecniche del dispositivo. Questi possono essere forniti da Axis o da terze parti.
- Utilizzare solo parti di ricambio fornite o consigliate da Axis.
- Non tentare di riparare il dispositivo da soli. Contattare l'assistenza o il rivenditore Axis per questioni relative alla manutenzione.
- Non puntare l'obiettivo della telecamera verso il sole o altre sorgenti di radiazioni ad alta intensità, perché questo potrebbe causare danni alla telecamera.

## Trasporto

### **AWISO**

- Conservare l'imballaggio di protezione. Durante il trasporto del dispositivo Axis, l'imballaggio di protezione deve essere ricollocato nella sua posizione originale.
- Durante il trasporto del dispositivo Axis, utilizzare l'imballaggio originale o equivalente per evitare danni al dispositivo.

## Batteria

Il dispositivo Axis utilizza una batteria al litio da 3,0 V BR/CR2032 come alimentazione per il suo real-time clock (RTC) interno. In condizioni normali questa batteria avrà una durata minima di cinque anni.

Una bassa carica della batteria influisce sul funzionamento del RTC, facendolo resettare a ogni accensione. Quando la batteria deve essere sostituita, un messaggio di registro viene visualizzato nel report server del dispositivo. Per ulteriori informazioni sul report server, vedere le pagine di configurazione del dispositivo o contattare l'assistenza Axis.



La batteria non deve essere sostituita se non richiesto, ma nel caso in cui questo fosse necessario, contattare il supporto Axis all'indirizzo [www.axis.com/techsup](http://www.axis.com/techsup) per assistenza.

## **⚠AVVERTENZA**

- Rischio di esplosione se la batteria viene sostituita in modo errato.
- Sostituire solo con una batteria identica o una batteria consigliata da Axis.
- Smaltire le batterie usate in base alle normative locali o alle istruzioni del produttore della batteria.

## **Cupola di protezione**

### **AVVISO**

- Fare attenzione a non graffiare, danneggiare o lasciare impronte sulla cupola di protezione, perché potrebbe diminuire la qualità dell'immagine. Se possibile, tenere la protezione in plastica sulla cupola fino a quando l'installazione non sarà completata.
- Non pulire la cupola di protezione se non necessario. Una pulizia eccessiva potrebbe danneggiare la superficie.
- Per la pulizia generale della cupola di protezione, si consiglia di utilizzare un sapone neutro o detergente non abrasivo con acqua pura e un panno morbido e pulito. Sciacquare bene con acqua pura tiepida. Asciugare con un panno morbido e pulito per evitare macchie d'acqua.
- Non usare mai detergenti aggressivi, benzina, benzene o acetone ecc ed evitare di pulire la cupola di protezione alla luce diretta del sole o a temperature elevate.



## Guida all'installazione

La presente guida all'installazione fornisce le istruzioni necessarie per installare la telecamera di rete a cupola AXIS P5514-E/P5515-E PTZ nella rete in uso. Per ulteriori informazioni sull'utilizzo del dispositivo, consultare la guida per l'utente disponibile all'indirizzo [www.axis.com](http://www.axis.com)

## Procedura di installazione

1. Assicurarsi che il contenuto della confezione, gli strumenti e altri materiali necessari per l'installazione siano in ordine. Consultare *pagina 51*.
2. Studiare la descrizione dell'hardware. Consultare *pagina 51*.
3. Studiare le specifiche. Consultare *pagina 54*.
4. Installare l'hardware. Consultare *pagina 55*.
5. Accedere al dispositivo. Consultare *pagina 59*.

## Contenuto della confezione

- Telecamera di rete a cupola AXIS P5514-E/P5515-E PTZ
- Custodia con cupola trasparente chiara (premontata)
- Connettore push-pull RJ45 (IP66)
- Parasole, incluse viti
- Materiali stampati
  - Guida all'installazione (questo documento)
  - Etichetta aggiuntiva con numero di serie (2x)
  - Chiave di autenticazione AVHS

## Accessori opzionali

- Accessori per il montaggio AXIS T91A
- Kit per montaggio incassato AXIS T94A03L

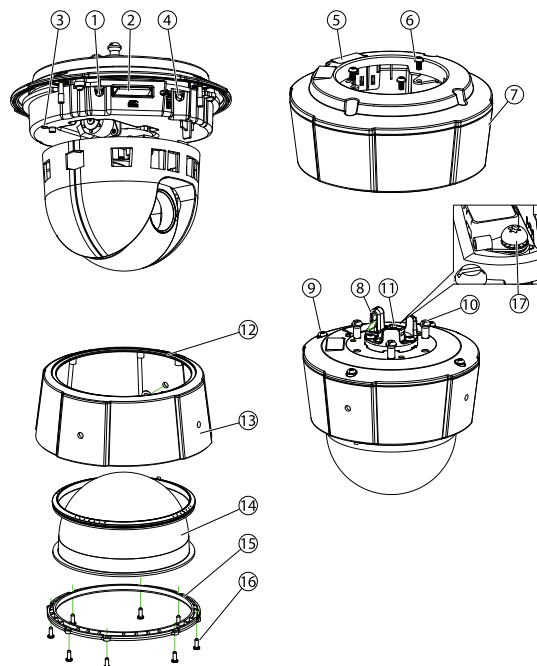
Per informazioni sugli accessori disponibili, visitare il sito Web [www.axis.com](http://www.axis.com)

## Panoramica dell'hardware

### **AWISO**

Assicurarsi che la cupola venga collegata in modalità operativa in modo da non alterare la messa a fuoco.

## AXIS P55-E Network Camera Series



1. Pulsante di comando
2. Slot per scheda SD
3. Indicatore LED di stato
4. Pulsante di riavvio
5. Codice dispositivo (P/N) e numero di serie (S/N). Il numero di serie può essere richiesto durante l'installazione.
6. Viti (3)
7. Parasole
8. Gancio per cavo di sicurezza
9. Viti della copertura superiore (4)
10. Supporti dell'unità (3)
11. Connettore di rete PoE
12. Guarnizione ad anello
13. Coperchio superiore
14. Copertura a cupola
15. Anello cupola
16. Viti anello cupola (8)
17. Vite di messa a terra

## Indicatori LED

LED di stato	Indicazione
Spento	Connessione e funzionamento normale.
Verde	Una luce verde fissa per 10 secondi indica il normale funzionamento una volta completato l'avvio.
Giallo	Luce fissa durante l'avvio. Lampeggia durante l'aggiornamento del firmware.
Giallo/rosso	Lampeggia in giallo/rosso se il Collegamento di rete non è disponibile o è stato perso.

## Connettori e pulsanti

Per le specifiche e le condizioni di funzionamento, consultare *pagina 54*.

### Connettore di rete

Connettore Ethernet RJ45 con Power over Ethernet (PoE+).

### **AWISO**

Collegare il dispositivo con un cavo di rete schermato (STP). Tutti i cavi che collegano il dispositivo alla rete sono destinati al loro uso specifico. Accertarsi che i dispositivi di rete siano installati secondo le istruzioni del produttore. Per maggiori informazioni sui requisiti normativi, consultare *Electromagnetic Compatibility (EMC) on page 2*.

### Pulsante di comando

Per l'ubicazione del pulsante di comando, vedere *Panoramica dell'hardware alla pagina 51*.

Il pulsante di comando viene utilizzato per:

- Ripristino del dispositivo alle impostazioni predefinite di fabbrica. Consultare *pagina 59*.
- Collegamento a un servizio AXIS Video Hosting System o AXIS Internet Dynamic DNS Service. Per ulteriori informazioni su questi servizi, consultare il Manuale Utente.

### Pulsante di riavvio

Premere il pulsante di riavvio per riavviare il dispositivo.

# AXIS P55-E Network Camera Series

---

## Slot per scheda SD

### **AVVISO**

- Rischio di danni alla scheda SD. Non utilizzare strumenti appuntiti e non esercitare eccessiva forza durante l'inserimento o la rimozione della scheda SD.
- Rischio di perdita di dati. Per prevenire il danneggiamento dei dati, la scheda SD deve essere scollegata prima della rimozione. Per scollegare, andare a **Setup > System Options > Storage > SD Card (Configurazione > Opzioni di sistema > Archiviazione > Scheda SD)** e fare clic su **Unmount (Smonta)**.

Questo dispositivo supporta schede di memoria SD/SDHC/SDXC (scheda di memoria non inclusa).

Per i consigli sulla scheda SD, visitare il sito Web [www.axis.com](http://www.axis.com).

## Dati tecnici

### Condizioni di funzionamento

Classificazione	Temperatura	Umidità
IEC 60721-4-3 Classe 3K3, 3M3 + B38 IEC 60068-2	Da -20 °C a 50 °C	Umidità relativa 15-100% RH (con condensa)

### Consumo energetico

#### **AVVISO**

Utilizzare una sorgente di alimentazione limitata (LPS) con una potenza di uscita nominale limitata a  $\leq 100$  W o una corrente nominale di uscita limitata a  $\leq 5$  A.

PoE
Power over Ethernet (PoE) IEEE 802.3af/802.3at Tipo 1 Classe 3 max. 12,95 W

## Installazione dell'hardware

### AVVISO

Collegare il dispositivo con un cavo di rete schermato (STP). Tutti i cavi che collegano il dispositivo alla rete sono destinati al loro uso specifico. Accertarsi che i dispositivi di rete siano installati secondo le istruzioni del produttore. Per maggiori informazioni sui requisiti normativi, consultare *Electromagnetic Compatibility (EMC) on page 2*.

Montare il dispositivo con la cupola rivolta verso il basso.

Leggere tutte le istruzioni prima di prepararsi ad installare la telecamera di rete, poiché numerose fasi di preparazione dell'installazione richiedono la rimozione della copertura superiore ed è opportuno che vengano completate insieme.

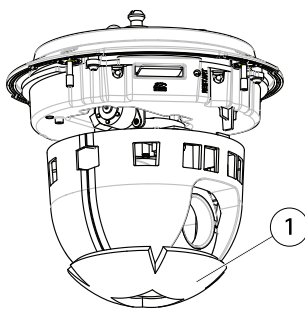
Per installare/rimuovere la scheda SD, è necessario rimuovere il parasole.

- Rimuovere l'imballo protettivo prima di installare la telecamera.
- Il dispositivo viene fornito con una cupola trasparente (premontata) e una trasparente fumé. Per sostituire la cupola, consultare *pagina 56*.
- Una scheda SD standard o ad alta capacità (non inclusa) può essere utilizzata per memorizzare le registrazioni localmente nel dispositivo. Consultare *pagina 56*.
- Per installare il prodotto utilizzando una staffa compatibile da accessori di montaggio di AXIS T91A (venduto separatamente), consultare *pagina 57*.

## Rimozione dell'imballo protettivo

Consultare *Panoramica dell'hardware alla pagina 51* per la posizione dei componenti.

1. Allentare le quattro viti della copertura superiore e rimuoverla.
2. Rimuovere l'imballo protettivo.



1 Imballo protettivo

## AXIS P55-E Network Camera Series

---

3. Per sostituire la copertura a cupola trasparente/oscurata, consultare *pagina 56*. Per installare una scheda SD, consultare *pagina 56*.
4. Rimontare la copertura posteriore nella posizione originale e serrare prima due viti diagonalmente opposte (a una coppia < 0,7 Nm), quindi le altre due viti.

### Sostituzione della protezione a cupola

#### Importante

Questa telecamera è dotata di una membrana deumidificante per mantenere basso il livello di umidità nella cupola. Per evitare fenomeni di condensa, non smontare la telecamera in caso di pioggia o elevata umidità atmosferica.

#### Nota

Fare attenzione a non graffiare o danneggiare la copertura a cupola. Se possibile, tenere la protezione in plastica sulla cupola fino a quando l'installazione non sarà completata.

La sostituzione della cupola è necessaria solo se si desidera utilizzare quella scura o se la cupola è graffiata o danneggiata. È possibile acquistare cupole oscurate o trasparenti di ricambio presso il proprio rivenditore Axis.

Consultare *Panoramica dell'hardware alla pagina 51* per la posizione dei componenti.

1. Allentare le viti della copertura superiore e rimuoverla.
2. Rimuovere le 8 viti dell'anello della copertura e rimuovere l'anello dalla copertura superiore.
3. Fissare l'anello della cupola e la copertura a cupola sostitutiva sulla copertura superiore serrando le viti (a una coppia da 0,4 a 0,6 Nm).
4. Per installare una scheda SD (non inclusa), consultare *pagina 56*.
5. Rimontare la copertura posteriore nella posizione originale e serrare due viti diagonalmente opposte (a una coppia < 0,7 Nm), quindi le altre viti.

### Installazione di una scheda SD

#### AVVISO

Per prevenire il danneggiamento delle registrazioni, la scheda SD deve essere scollegata prima dell'espulsione. Per scollegare, andare a **Setup > System Options > Storage > SD Card (Configurazione > Opzioni di sistema > Archiviazione > Scheda SD)** e fare clic su **Unmount (Smonta)**.

È facoltativo installare una scheda di memoria SD standard o ad alta capacità (non inclusa), che può essere usata per la registrazione in modalità locale con unità di archiviazione rimovibile.

Consultare *Panoramica dell'hardware alla pagina 51* per la posizione dei componenti.



1. Rimuovere il parasole.
2. Allentare le 4 viti della copertura superiore e rimuoverla.
3. Inserire una scheda SD (non inclusa) nello slot per schede SD.
4. Rimontare la copertura posteriore nella posizione originale e serrare prima due viti diagonalmente opposte (a una coppia < 0,7 Nm), quindi le altre viti.
5. Rimontare il parasole nella posizione originale e serrare le viti.

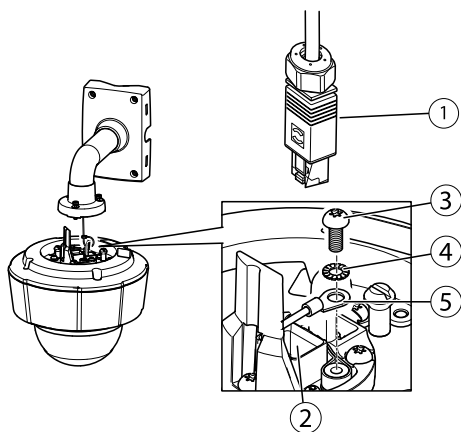
### Installazione della telecamera con montaggio a staffa (venduto separatamente)

#### **⚠AVVERTENZA**

- Rischio di scosse elettriche. Il prodotto deve essere collegato a terra utilizzando un cavo di messa a terra. Assicurarsi che entrambe le estremità del cavo di messa a terra siano in contatto con le rispettive superfici di messa a terra.

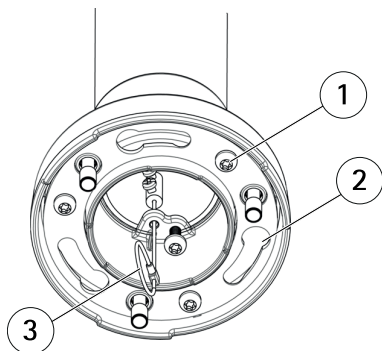
#### **AWISO**

- È necessario utilizzare il Connettore push-pull RJ45 (IP66) in dotazione per mantenere inalterate le caratteristiche di tenuta e protezione di classe IP66 della telecamera. In alternativa, utilizzare il cavo RJ45 di classe IP66 con connettore premontato disponibile presso il proprio rivenditore Axis. Non rimuovere la schermatura in plastica del connettore di rete dalla telecamera.
  - Fare attenzione a non danneggiare il cavo di rete quando lo si collega.
1. Installare la staffa (non inclusa) in base alle istruzioni fornite. Se è necessario forare, assicurarsi di utilizzare punte, viti e tasselli adatti al materiale. Visitare il sito Web [www.axis.com](http://www.axis.com) per informazioni sugli accessori di montaggio disponibili.
  2. Fissare la telecamera utilizzando il cavo di sicurezza in dotazione.
  3. Infilare il cavo di rete e un cavo di messa a terra attraverso i fori presenti sulla staffa di montaggio. Assicurarsi che il cavo di messa a terra sia il più corto possibile per ridurre al minimo il percorso della corrente.
  4. Allentare le viti della messa a terra, quindi rimuovere la rondella e il capocorda.



1. *Connettore di rete – Connettore push-pull RJ45 (IP66)*
2. *Connettore di rete e schermo del connettore di rete*
3. *Vite a terra T20*
4. *Lavaggio*
5. *Capocorda*

5. Fissare il cavo di messa a terra (serraggio da 1,5 a 2 Nm) al capocorda utilizzando le pinze del capocorda.
6. Rimontare il capocorda e la rondella nelle rispettive posizioni originali, quindi serrare la vite (serraggio 0,5 Nm). Assicurarsi che il capocorda sia in contatto con la superficie di messa a terra.
7. Collegare il connettore push-pull RJ45 (IP66) fornito al cavo di rete, come da istruzioni fornite con il connettore.



- 1 *Vite*
- 2 *Alloggiamenti per i supporti dell'unità*

## 3 Cavo di sicurezza

8. Collegare il cavo di rete alla telecamera.
9. Far scorrere i supporti dell'unità sulla telecamera di rete nelle fessure della staffa di montaggio e ruotare la telecamera.
10. Fissare la telecamera di rete alla staffa di montaggio serrando le viti.

## Accedere al dispositivo

AXIS IP Utility e AXIS Camera Management sono i metodi consigliati per trovare i dispositivi Axis in rete e assegnare loro un indirizzo IP in Windows®. Queste applicazioni sono entrambe gratuite e possono essere scaricate da [www.axis.com/techsup](http://www.axis.com/techsup)

Il dispositivo può essere utilizzato con la maggior parte dei sistemi operativi e dei browser. I browser consigliati sono

- Internet Explorer® con Windows®
- Safari® con OS X®
- Chrome™ o Firefox® con altri sistemi operativi.

Per ulteriori informazioni sull'utilizzo del dispositivo, consultare la Guida per l'utente disponibile sul sito Web [www.axis.com](http://www.axis.com)

## Ripristino dei valori predefiniti di fabbrica

### Importante

Il ripristino delle impostazioni di fabbrica deve essere usato con cautela. Un ripristino delle impostazioni di fabbrica consentirà di ripristinare le impostazioni di fabbrica per tutti i parametri, incluso l'indirizzo IP.

### Nota

Gli strumenti per l'installazione e la gestione del software sono disponibili nelle pagine dedicate all'assistenza sul sito Web [www.axis.com/techsup](http://www.axis.com/techsup).

Per ripristinare il dispositivo alle impostazioni predefinite di fabbrica:

1. Tenere premuti contemporaneamente sia il pulsante di comando che il pulsante di riavvio.
2. Rilasciare il pulsante di riavvio, ma continuare a tenere premuto il pulsante di comando per 15-30 secondi fino a quando il LED di stato lampeggia in giallo.
3. Rilasciare il pulsante di comando. Il processo è completo quando il LED di stato diventerà verde. Il dispositivo è stato reimpostato alle impostazioni di fabbrica predefinite. Se nessun server DHCP è disponibile in rete, l'indirizzo IP predefinito è 192.168.0.90.

4. Mediante gli strumenti per l'installazione e la gestione del software, assegnare un indirizzo IP, impostare la password e accedere al flusso video.

È anche possibile reimpostare i parametri alle impostazioni predefinite di fabbrica mediante l'interfaccia Web. Andare a **Setup > System Options > Maintenance (Configurazione > Opzioni di sistema > Manutenzione)**.

### Ulteriori Informazioni

Il manuale per l'utente è disponibile all'indirizzo [www.axis.com](http://www.axis.com)

Visitare il sito all'indirizzo [www.axis.com/techsup](http://www.axis.com/techsup) per verificare se sono stati pubblicati aggiornamenti del firmware per il proprio dispositivo di rete. Per conoscere la versione del firmware installata, andare su **Setup (Impostazioni) > About (Informazioni su)**.

Visitare il centro di apprendimento Axis alla pagina [www.axis.com/academy](http://www.axis.com/academy) per servizi di formazione utili, webinar, tutorial e guide.

### Informazioni sulla garanzia

Per informazioni sulla garanzia del dispositivo Axis e informazioni ad esso relative, consultare la pagina [www.axis.com/warranty/](http://www.axis.com/warranty/)

## Información de seguridad

Lea esta Guía de instalación con atención antes de instalar el producto. Guarde la Guía de instalación para poder consultarla en otro momento.

### Niveles de peligrosidad

#### **▲PELIGRO**

Indica una situación peligrosa que, si no se evita, provocará lesiones graves o la muerte.

#### **▲ADVERTENCIA**

Indica una situación peligrosa que, si no se evita, puede provocar lesiones graves o la muerte.

#### **▲ATENCIÓN**

Indica una situación peligrosa que, si no se evita, puede provocar lesiones moderadas o leves.

#### **AVISO**

Indica una situación peligrosa que, si no se evita, puede provocar daños materiales.

### Otros niveles de mensaje

#### **Importante**

Indica información importante que es fundamental para que el producto funcione correctamente.

#### **Nota**

Indica información útil que ayuda a aprovechar el producto al máximo.

## Instrucciones de seguridad

### AVISO

- El producto de Axis debe utilizarse de acuerdo con la legislación y la normativa locales.
- Almacene el producto de Axis en un entorno seco y ventilado.
- Evite la exposición del producto de Axis a choques o a una fuerte presión.
- No instale el producto en soportes, superficies o paredes inestables.
- No apunte la lente de la cámara hacia el sol u otras fuentes de radiación de alta intensidad, ya que esto podría causar daños a la cámara.
- Utilice solo las herramientas correspondientes cuando instale el producto de Axis. La aplicación de una fuerza excesiva con herramientas eléctricas puede provocar daños en el producto.
- No utilice limpiadores en aerosol, agentes cáusticos ni productos químicos.
- Limpie con un paño limpio humedecido con agua pura.
- Utilice solo accesorios que cumplan con las especificaciones técnicas del producto. Estos accesorios los puede proporcionar Axis o un tercero.
- Utilice solo piezas de repuesto proporcionadas o recomendadas por Axis.
- No intente reparar el producto usted mismo. Póngase en contacto con el servicio de asistencia técnica de Axis o con su distribuidor de Axis para tratar asuntos de reparación.
- No apunte la lente de la cámara hacia el sol u otras fuentes de radiación de alta intensidad, ya que esto podría causar daños a la cámara.

## Transporte

### AVISO

- Mantenga el embalaje de protección. Cuando transporte el producto de Axis, el embalaje de protección debe volver a ponerse en su posición original.
- Cuando transporte el producto de Axis, utilice el embalaje original o un equivalente para evitar daños en el producto.

## Batería

Este producto de Axis utiliza una batería de litio BR/CR2032 de 3,0 V como fuente de alimentación del reloj interno en tiempo real. En condiciones normales, esta batería durará un mínimo de cinco años.

Un nivel bajo de batería afectará al funcionamiento del reloj en tiempo real, lo que provocará el restablecimiento de este cada vez que se encienda el producto. Cuando sea necesario sustituir la batería, aparecerá un mensaje de registro en el informe del servidor del producto. Para obtener más

información sobre el informe del servidor, consulte las páginas de configuración del producto o póngase en contacto con el servicio de asistencia técnica de Axis.

La batería no debe sustituirse a menos que sea necesario; no obstante, si precisa hacerlo, póngase en contacto con el servicio de asistencia técnica de Axis en [www.axis.com/techsup](http://www.axis.com/techsup) para solicitar ayuda.

### **▲ADVERTENCIA**

- La sustitución incorrecta de la batería implica riesgo de explosión.
- Sustituya la batería por una batería idéntica u otra batería recomendada por Axis.
- Deseche las baterías usadas de conformidad con la normativa local o las instrucciones del fabricante.

## Cubierta del domo

### **AVISO**

- Preste atención a no arañar, dañar o dejar las huellas en la cubierta del domo, puesto que esto puede provocar una disminución de la calidad de imagen. Si es posible, mantenga el plástico de protección en la cubierta del domo hasta que se complete la instalación.
- No limpie la cubierta del domo si parece a simple vista que está limpia y nunca pule la superficie. Una limpieza excesiva podría dañar la superficie.
- Para realizar un procedimiento de limpieza general de la cubierta del domo se recomienda usar detergente o jabón neutros, sin disolventes y no abrasivos mezclados con agua pura, y un paño suave y limpio. Enjuague bien con agua pura y tibia. Seque con un paño limpio y suave para evitar las manchas de gotas de agua.
- Nunca utilice detergentes abrasivos, gasolina, benceno, acetona, etc. y evite limpiar la cubierta del domo a temperaturas elevadas o en contacto directo con la luz solar.





## Guía de instalación

Esta Guía de instalación incluye las instrucciones necesarias para instalar las cámaras domo de red PTZ AXIS P5514-E/P5515-E en su red. Para conocer otros aspectos de uso del producto, consulte el Manual del usuario disponible en [www.axis.com](http://www.axis.com).

## Pasos de la instalación

1. Asegúrese de que dispone del contenido del paquete, las herramientas y los demás materiales necesarios para la instalación. *Vea página 65.*
2. Estudie la información general del hardware. *Vea página 65.*
3. Estudie las especificaciones. *Vea página 68.*
4. Instale el hardware. *Vea página 69.*
5. Acceda al producto. *Vea página 73.*

## Contenido del paquete

- Cámara domo de red PTZ AXIS P5514-E/P5515-E
- Cubierta del domo transparente (montaje previo)
- Conector RJ45 con clasificación IP66
- Parasol, tornillos incluidos
- Materiales impresos
  - Guía de instalación (este documento)
  - Etiquetas adicionales con el número de serie (2)
  - Clave de autenticación AVHS

## Accesorios opcionales

- Accesorios de montaje AXIS T91A
- Kit de montaje empotrado AXIS T94A03L

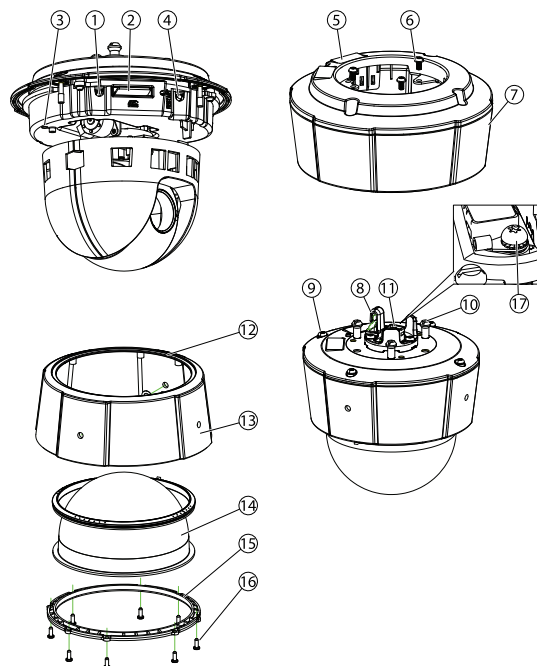
Para obtener información sobre los accesorios disponibles, visite [www.axis.com](http://www.axis.com).

## Información general del hardware

### **AVISO**

Asegúrese de conectar el domo en modo de funcionamiento, si no, el enfoque puede verse afectado.

## AXIS P55-E Network Camera Series



1. Botón de control
2. Ranura para tarjetas SD
3. Indicador LED de estado
4. Botón de reinicio
5. Número de pieza (P/N) y número de serie (S/N). Puede necesitarse el número de serie durante la instalación.
6. Tornillos (3)
7. Parasol
8. Gancho para cable de seguridad
9. Tornillos de cubierta superior (4)
10. Soportes de la unidad (3)
11. Conector de red PoE
12. Anillo de sellado
13. Cubierta superior
14. Cubierta del domo
15. Anillo del domo
16. Tornillos del anillo del domo (8)
17. Tornillo de toma de tierra

## Indicadores LED

LED de estado	Indicación
Apagado	Conexión y funcionamiento normal.
Verde	Se muestra fijo durante diez segundos para indicar un funcionamiento normal después de completado el inicio.
Ámbar	Fijo durante el inicio. Parpadea durante la actualización del firmware.
Ámbar/rojo	Parpadea en ámbar/rojo si la conexión a la red no está disponible o se ha perdido.

## Conectores y botones

Para conocer las especificaciones y las condiciones de funcionamiento, vea *página 68*.

### Conector de red

Conector Ethernet RJ45 con alimentación a través de Ethernet (PoE).

#### **AVISO**

El producto se conectará mediante un cable de red blindado (STP). Todos los cables que conecten el producto a la red deberán estar blindados para su uso específico. Asegúrese de que los dispositivos de red estén instalados de conformidad con las instrucciones del fabricante. Para obtener información sobre los requisitos normativos, vea *Electromagnetic Compatibility (EMC) on page 2*.

### Botón de control

Para conocer la ubicación del botón de control, vea *Información general del hardware en la página 65*.

El botón de control se utiliza para lo siguiente:

- Restablecer el producto a la configuración predeterminada de fábrica. Vea *página 73*.
- Conectarse a un servicio AXIS Video Hosting System o al Servicio de DNS dinámico de Internet de AXIS. Para obtener más información sobre estos servicios, consulte el Manual del usuario.

### Botón de reinicio

Pulse el botón de reinicio para reiniciar el producto.

# AXIS P55-E Network Camera Series

---

## Ranura para tarjetas SD

### AVISO

- Riesgo de daños en la tarjeta SD. No utilice herramientas afiladas ni ejerza demasiada fuerza al insertar o retirar la tarjeta SD.
- Riesgo de pérdida de datos. Antes de retirar la tarjeta SD, es preciso desmontarla para evitar que los datos resulten dañados. Para desmontarla, vaya a **Setup > System Options > Storage > SD Card (Configuración > Opciones del sistema > Almacenamiento > Tarjeta SD)** y haga clic en **Unmount (Desmontar)**.

Este producto admite tarjetas SD/SDHC/SDXC (no incluidas).

Para conocer las recomendaciones de tarjeta SD, consulte [www.axis.com](http://www.axis.com).

## Especificaciones

### Condiciones de funcionamiento

Clasificación	Temperatura	Humedad
IEC 60721-4-3 Clase 3K3, 3M3 + B38 IEC 60068-2	De -20 °C a 50 °C	Humedad relativa del 15 al 100 % (con condensación)

### Consumo

#### AVISO

Utilice una fuente de alimentación limitada (LPS) con una potencia nominal de salida limitada a  $\leq 100$  W o una corriente nominal de salida limitada a  $\leq 5$  A.

PoE
Alimentación a través de Ethernet (PoE) IEEE 802.3af/802.3at Tipo 1 Clase 3 12,95 W máx.

## Instalación del hardware

### AVISO

El producto debe conectarse mediante un cable de red blindado (STP). Todos los cables que conecten el producto a la red deberán estar blindados para su uso específico. Asegúrese de que los dispositivos de red estén instalados de conformidad con las instrucciones del fabricante. Para obtener información sobre los requisitos normativos, vea *Electromagnetic Compatibility (EMC) on page 2*.

Monte el producto con el domo mirando hacia abajo.

Consulte todas las instrucciones antes de preparar la instalación de la cámara de red, ya que algunos pasos de la preparación de la instalación precisan que se retire la cubierta superior y le convendría realizarlos todos juntos.

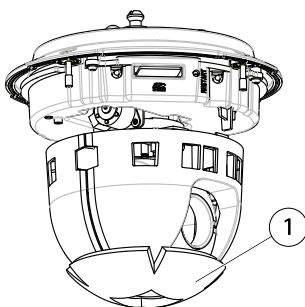
El parasol debe retirarse para instalar o extraer la tarjeta SD.

- Retire el embalaje de protección antes de instalar la cámara.
- El producto se suministra con una cubierta del domo transparente (premontada) y una cubierta del domo transparente ahumada. Para sustituir la cubierta del domo, vea *página 70*.
- Puede emplearse una tarjeta SD estándar o de gran capacidad (no incluida) para el almacenamiento local de grabaciones en el producto. Vea *página 70*.
- Para instalar el producto utilizando un soporte compatible de los accesorios de montaje AXIS T91A (se venden por separado), vea *página 71*.

## Retirada del embalaje de protección

Vea *Información general del hardware en la página 65* para conocer la ubicación de los componentes.

1. Afloje los cuatro tornillos de la cubierta superior y retírela.
2. Retire el embalaje de protección.



1 Embalaje de protección

## AXIS P55-E Network Camera Series

---

3. Para sustituir la cubierta del domo transparente/ahumada, vea *página 70*. Para instalar una tarjeta SD, vea *página 70*.
4. Vuelva a colocar la cubierta superior en su posición original y afloje los dos tornillos opuestos en diagonal primero (par de torsión < 0,7 Nm) y, a continuación, afloje los otros dos tornillos.

### Sustitución de la cubierta del domo

#### Importante

Este producto cuenta con una membrana deshumidificadora para la conservación de niveles bajos de humedad dentro del domo. Para evitar la condensación, no desmonte la cámara en situaciones de lluvia o humedad.

#### Nota

Tenga cuidado de no arañar o dañar la cubierta del domo. Si es posible, mantenga el plástico de protección en la cubierta del domo hasta que termine la instalación.

La sustitución de la cubierta del domo solo es necesaria si desea usar una cubierta del domo ahumada o si la cubierta del domo se ha arañado o dañado. Su distribuidor de Axis puede proporcionarle las cubiertas del domo ahumadas y las normales de repuesto.

Vea *Información general del hardware en la página 65* para conocer la ubicación de los componentes.

1. Afloje los tornillos de la cubierta superior y retírela.
2. Extraiga los 8 tornillos del anillo del domo y retire dicho anillo de la cubierta superior.
3. Fije el anillo del domo y la cubierta del domo de sustitución a la cubierta superior y asegúrela apretando los tornillos (par de torsión de 0,4 a 0,6 Nm).
4. Para instalar una tarjeta SD (no incluida), vea *página 70*.
5. Vuelva a colocar la cubierta superior en su posición original y apriete los dos tornillos opuestos en diagonal primero (par de torsión < 0,7 Nm) y, a continuación, los otros dos.

### Instalación de una tarjeta SD

#### AVISO

Para evitar que las grabaciones resulten dañadas, es preciso desmontar la tarjeta SD antes de expulsarla. Para desmontarla, vaya a **Setup > System Options > Storage > SD Card (Configuración > Opciones del sistema > Almacenamiento > Tarjeta SD)** y haga clic en **Unmount (Desmontar)**.

La instalación de una tarjeta SD estándar o de gran capacidad (no incluida) para la grabación local con almacenamiento extraíble es opcional.

Vea *Información general del hardware en la página 65* para conocer la ubicación de los componentes.

1. Retire el parasol.
2. Afloje los 4 tornillos de la cubierta superior y retírela.
3. Inserte una tarjeta SD (no incluida) en la ranura para tarjetas SD.
4. Vuelva a colocar la cubierta superior en su posición original y afloje los dos tornillos opuestos en diagonal primero (par de torsión < 0,7 Nm) y, a continuación, afloje los demás.
5. Vuelva a colocar el parasol en su posición original y apriete los tornillos.

### Instale la cámara en un montaje con escuadra (se vende por separado)

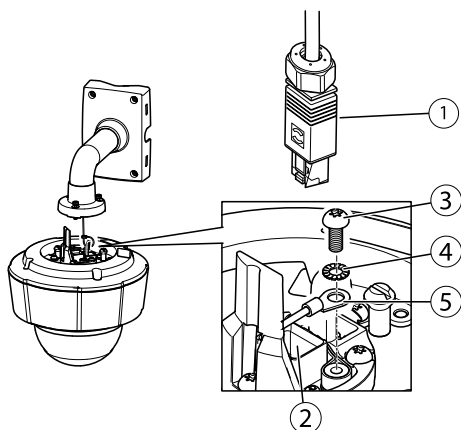
#### **▲ADVERTENCIA**

- Riesgo de descarga eléctrica. El producto deberá conectarse a tierra mediante un cable de tierra. Asegúrese de que los dos extremos del cable de tierra estén en contacto con sus respectivas superficies de toma de tierra.

#### **AVISO**

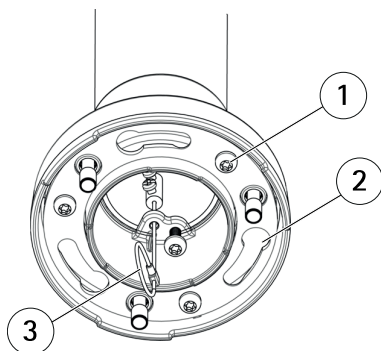
- Para cumplir con el diseño de la clasificación IP66 de la cámara y mantener la protección IP66, debe usarse el conector RJ45 con clasificación IP66 suministrado. Como alternativa, use el cable RJ45 con clasificación IP66 con el conector montado previamente disponible en su distribuidor de Axis. No retire la protección de plástico del conector de red de la cámara.
  - Asegúrese de no dañar el cable de red cuando lo conecte.
1. Instale el soporte (no incluido) según las instrucciones que lo acompañan. Si es necesario perforar, asegúrese de usar brocas, tornillos y tacos adecuados para el material. Para obtener información sobre los accesorios de montaje disponibles, vea [www.axis.com](http://www.axis.com).
  2. Fije la cámara con el cable de seguridad suministrado.
  3. Pase el cable de red y el cable de tierra por los orificios de la escuadra de montaje. Asegúrese de que el cable de tierra es lo más corto posible a fin de que el tránsito de corriente también lo sea.
  4. Afloje el tornillo de toma de tierra y retire la arandela y la zapata para cable.

## AXIS P55-E Network Camera Series



1. Conector de red: conector RJ45 con clasificación IP66
2. Conector de red y cubierta de conector de red
3. Tornillo de toma de tierra T20
4. Arandela
5. Zapata para cable

5. Conecte el cable de tierra (par de torsión de 1,5 a 2 Nm) a la zapata para cable utilizando unos alicates para zapatas.
6. Vuelva a colocar la zapata para cable y la arandela en sus posiciones originales y apriete el tornillo (par de torsión de 0,5 Nm). Asegúrese de que la zapata para cable esté en contacto con la superficie de toma de tierra.
7. Conecte el conector RJ45 con clasificación IP66 al cable de red según las instrucciones facilitadas con el conector.



1. Tornillo
2. Ranuras para soportes de unidades



## 3 Cable de seguridad

8. Conecte el cable de red a la cámara.
9. Deslice los soportes de la cámara de red por las ranuras del soporte de montaje y gire la unidad de cámara.
10. Fije la cámara de red al soporte de montaje ajustando los tornillos.

## Acceso al producto

Se recomiendan AXIS IP Utility y AXIS Camera Management como métodos para buscar los productos de Axis en la red y asignarles direcciones IP en Windows®. Ambas aplicaciones son gratuitas y pueden descargarse de [www.axis.com/techsup](http://www.axis.com/techsup)

El producto se puede utilizar con la mayoría de los sistemas operativos y navegadores. Los navegadores recomendados son

- Internet Explorer® con Windows®
- Safari® con OS X®
- Chrome™ o Firefox® con otros sistemas operativos.

Para obtener más información sobre el uso del producto, consulte el Manual del usuario, disponible en [www.axis.com](http://www.axis.com).

## Restablecimiento a la configuración predeterminada de fábrica

### Importante

Hay que tener cuidado al restablecer la configuración predeterminada de fábrica. Todos los valores, incluida la dirección IP, se restablecerán a la configuración predeterminada de fábrica.

### Nota

Las herramientas del software de instalación y gestión están disponibles en las páginas de asistencia técnica en [www.axis.com/techsup](http://www.axis.com/techsup).

Para restablecer el producto a la configuración predeterminada de fábrica:

1. Pulse los botones de control y de reinicio al mismo tiempo.
2. Suelte el botón de reinicio pero mantenga pulsado el botón de control durante 15-30 segundos, hasta que el indicador LED de estado parpadee en ámbar.
3. Suelte el botón de control. El proceso finaliza cuando el indicador LED de estado se pone verde. El producto se ha restablecido a la configuración predeterminada de fábrica. Si no hay ningún servidor DHCP disponible en la red, la dirección IP predeterminada es 192.168.0.90.

4. Utilice las herramientas del software de instalación y gestión para asignar una dirección IP, establecer la contraseña y acceder a la transmisión de vídeo.

También es posible restablecer los parámetros a los valores predeterminados de fábrica mediante la interfaz web. Para ello, vaya a **Setup > System Options > Maintenance (Configuración > Opciones del sistema > Mantenimiento)**.

### Más información

El Manual de usuario se encuentra disponible en [www.axis.com](http://www.axis.com).

Visite [www.axis.com/techsup](http://www.axis.com/techsup) para comprobar si existe un firmware actualizado disponible para su producto de red. Para ver la versión del firmware instalado actualmente, vaya a **Setup > About (Configuración > Acerca de)**.

Visite el centro de aprendizaje de [www.axis.com/academy](http://www.axis.com/academy) para consultar guías, tutoriales, seminarios web y cursos que pueden resultarle útiles.

### Información de garantía

Para obtener más detalles sobre la garantía del producto de Axis y la información relacionada con ella, consulte [www.axis.com/warranty/](http://www.axis.com/warranty/)

## 安全情報

本製品を設置する前に、このインストールガイドをよくお読みください。インストールガイドは、後で参照できるように保管しておいてください。

## 危険レベル

### ▲危険

回避しない場合、死亡または重傷につながる危険な状態を示します。

### ▲警告

回避しない場合、死亡または重傷につながるおそれのある危険な状態を示します。

### ▲注意

回避しない場合、軽傷または中程度の怪我につながるおそれのある危険な状態を示します。

### 注記

回避しない場合、器物の破損につながるおそれのある状態を示します。

## その他のメッセージレベル

### 重要

製品を正しく機能させるために不可欠な重要情報を示します。

### 注意

製品を最大限に活用するために役立つ有用な情報を示します。

## 安全手順

### 注記

- 本製品は、お使いになる地域の法律や規制に準拠して使用してください。
- 本製品は乾燥した換気のよい環境に保管してください。
- 本製品に衝撃または強い圧力を加えないでください。
- 本製品を不安定なブラケット、表面、または壁に設置しないでください。
- カメラが損傷する可能性があるため、カメラのレンズを太陽や強力な光源に向けしないでください。
- 本製品を設置する際には、適切な工具のみを使用してください。電動工具を使用して過剰な力をかけると、製品が損傷することがあります。
- 化学薬品、腐食剤、噴霧式クリーナーは使用しないでください。
- 清掃には、きれいな水に浸した清潔な布を使用してください。
- 製品の技術仕様に準拠したアクセサリのみを使用してください。これらのアクセサリは、Axisまたはサードパーティから入手できます。
- Axisが提供または推奨する交換部品のみを使用してください。
- 製品を自分で修理しないでください。修理については、Axisサポートまたは販売代理店にお問い合わせください。
- カメラが損傷する可能性があるため、カメラのレンズを太陽や強力な光源に向けしないでください。

## 輸送

### 注記

- 保護包装は保管しておいてください。本製品を輸送する際には、必ず保護包装を元の位置に戻してください。
- 本製品を運搬する際は、製品が損傷しないよう、元の梱包か同等の梱包を使用してください。

## バッテリー

本製品は、内部リアルタイムクロック (RTC) 用電源として、3.0 V BR/CR2032 リチウムバッテリーを使用します。このバッテリーは、通常条件下で最低5年間使用できます。

バッテリーが低電力状態になると、RTCの動作に影響し、電源を入れるたびにRTCがリセットされます。バッテリーの交換が必要になると、製品のサーバーレポートにログメッセージが表示されます。サーバーレポートの詳細については、製品の設定ページを参照するか、Axisサポートまでお問い合わせください。

必要な場合以外はバッテリーを交換しないでください。バッテリーの交換が必要な場合は、Axisサポート ([www.axis.com/techsup](http://www.axis.com/techsup)) までご連絡ください。

### ▲警告

- バッテリーは、正しく交換しないと爆発する危険があります。
- 交換用バッテリーとしては、同一品またはAxisが推奨するバッテリーのみを使用してください。
- 使用済みバッテリーは、地域の規制またはバッテリーメーカーの指示に従って廃棄してください。

## ドームカバー

### ▲注記

- 画質低下の原因となるので、ドームカバーに傷や指紋を付れたり、損傷しないように注意してください。可能であれば、設置が完了するまでドームカバーに保護プラスチックを付けたままにしてください。
- 肉眼で見て汚れがない場合は、ドームカバーを掃除しないでください。また、絶対に表面を磨かないでください。過度な清掃により、表面が破損することがあります。
- ドームカバーの通常のクリーニングには、磨耗防止タイプの無溶媒の中性石鹸またはきれいな水で薄めた洗剤と、柔らかい清潔な布を使用することをお勧めします。洗浄後、きれいなぬるま湯でよくすすいでください。水滴の跡が付かないよう、清潔な柔らかい布で拭いて乾かしてください。
- 強力な洗剤、ガソリン、ベンジン、アセトンなどは絶対に使用しないでください。また直射日光が当たる場所や気温が上昇する場所での、ドームカバーの清掃は避けてください。



## インストールガイド

このインストールガイドでは、AXIS P5514-E/P5515-E PTZ ドームネットワークカメラをお使いのネットワークにインストールする手順について説明します。製品の使用の詳細については、Axisのホームページ ([www.axis.com](http://www.axis.com)) でユーザーズマニュアルを参照してください

## 設置手順

1. パッケージの内容、ツールなど、設置に必要な物がそろっているかを確認します。79ページを参照してください。
2. ハードウェアの概要を確認します。79ページを参照してください。
3. 仕様を確認します。82ページを参照してください。
4. ハードウェアを設置します。83ページを参照してください。
5. 製品にアクセスします。87ページを参照してください。

## パッケージの内容

- AXIS P5514-E/P5515-E PTZ ドームネットワークカメラ
- 透明ドームカバー (装着済み)
- RJ45 プッシュプルコネクタ (IP66)
- サンシールドとネジ
- 印刷物
  - インストールガイド (本書)
  - 予備のシリアル番号ラベル×2
  - AVHS 認証キー

## オプションアクセサリ

- AXIS T91A 取り付けアクセサリ
- AXIS T94A03L 埋込み式マウントキット

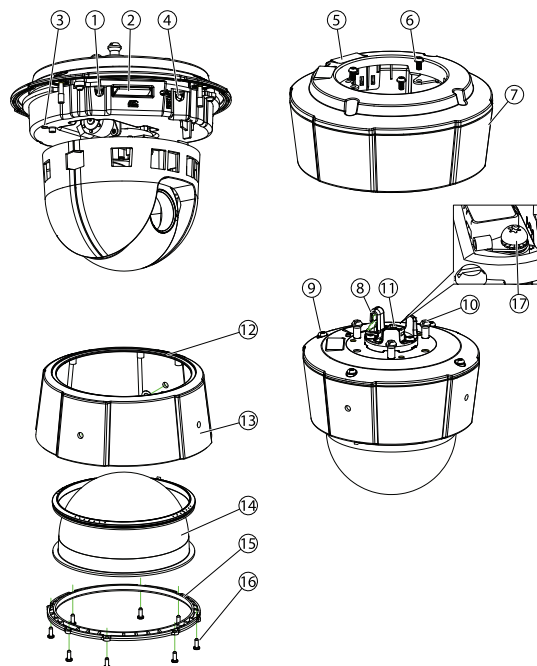
利用可能なアクセサリについては、[www.axis.com](http://www.axis.com)を参照してください

## ハードウェアの概要

### 注記

ドームは動作モードで取り付けてください。そのようにしない場合、フォーカスに影響する場合があります。

## AXIS P55-E Network Camera Series



1. コントロールボタン
2. SDカードスロット
3. ステータスインジケータ-LED
4. 再起動ボタン
5. 型番 (P/N) とシリアル番号 (S/N)。インストール時にシリアル番号が必要になる場合があります。
6. ネジ (3)
7. サンシールド
8. 安全ワイヤーフック
9. トップカバー用ネジ (4)
10. ユニットホルダー (3)
11. ネットワークコネクタPoE
12. 密閉リング
13. 上蓋
14. ドームカバー
15. ドームリング
16. ドームリングネジ (8)
17. アース端子ネジ



## LEDインジケーター

ステータスLED	説明
無点灯	接続時と正常動作時は、無点灯のままです。
緑	起動後正常に動作する場合、10秒間、緑色に点灯します。
黄	起動時に点灯し、ファームウェアのアップグレード時には点滅します。
黄/赤	ネットワーク接続が利用できないか、失われた場合は、黄色/赤色で点滅します。

## コネクタとボタン

仕様と動作条件については、82ページを参照してください。

### ネットワークコネクタ

RJ45イーサネットコネクタ、Power over Ethernet (PoE) 対応。

#### **注記**

本製品は、シールドネットワークケーブル (STP) を使用して接続してください。本製品は、用途に合ったケーブルを使用してネットワークに接続してください。ネットワーク装置がメーカーの指示どおりに設置されていることを確認します。法的要件については、*Electromagnetic Compatibility (EMC) on page 2*を参照してください。

### コントロールボタン

コントロールボタンの位置については、79ページの、ハードウェアの概要を参照してください。

コントロールボタンは、以下の用途で使用します。

- 製品を工場出荷時の設定にリセットする。87ページを参照してください。
- AXIS Video Hosting SystemサービスまたはAXIS Internet Dynamic DNSサービスに接続する。これらのサービスの詳細については、ユーザーズマニュアルを参照してください。

### 再起動ボタン

再起動ボタンを押すと、製品が再起動します。

# AXIS P55-E Network Camera Series

## SDカードスロット

### 注記

- SDカード損傷の危険があります。SDカードの挿入と取り外しの際には、鋭利な工具を使用したり、過剰な力をかけないでください。
- データ損失の危険があります。データが破損しないように、SDカードはマウント解除してから取り外す必要があります。SDカードをアンマウントするには、[Setup] (設定) > [System Options] (システムオプション) > [Storage] (ストレージ) > [SD Card] (SDカード) を選択し、[Unmount] (アンマウント) をクリックします。

本製品は、SD/SDHC/SDXCカードに対応しています (別売)。

推奨するSDカードについては、[www.axis.com](http://www.axis.com)を参照してください

## 仕様

### 動作条件

等級	温度	湿度
IEC 60721-4-3 Class 3K3、3M3 + B38 IEC 60068-2	-20 ° C ~ 50 ° C	湿度: 15 ~ 100% RH (結露可)

### 消費電力

#### 注記

定格出力が100 Wまたは5 A以下の有限電源 (LPS) を使用します。

PoE
Power over Ethernet (PoE) IEEE 802.3af/802.3at Type 1 Class 3 最大12.95 W

## ハードウェアの設置

### 注記

本製品は、シールドネットワークケーブル (STP) を使用して接続してください。本製品は、用途に合ったケーブルを使用してネットワークに接続してください。ネットワーク装置がメーカーの指示どおりに設置されていることを確認します。法的要件については、*Electromagnetic Compatibility (EMC) on page 2*を参照してください。

本製品はドームを下向きにして取り付けてください。

ネットワークカメラのインストールの準備手順では、トップカバーを取り外すことが必要なステップが複数あるため、これらのステップを同時に行えるようすべての手順をよく読んでから取付準備を行ってください。

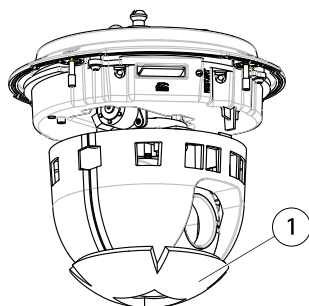
SDカードのインストール/取り出し前には、サンシールドの取り外しが必要です。

- カメラの取付前に緩衝材を取り除きます。
- 本製品には透明ドームカバー (装着済み) とスモーク透明カバーとが同梱されています。ドームカバーの交換方法については、84ページを参照してください。
- 標準または大容量のSDカード (非付属品) を使用すると、ローカルに録画を行えます。85ページを参照してください。
- AXIS T91A取り付けアクセサリーの互換ブラケット (別売) を使用した製品の設置方法については、85ページを参照してください。

## 緩衝材を取り除く

コンポーネントの位置については、79ページの、ハードウェアの概要を参照してください。

1. トップカバー用ネジ4本を緩めて、トップカバーを取り外します。
2. 緩衝材を取り除きます。



## 1 緩衝材

3. クリア/半透明ドームカバーの交換方法については、84ページを参照してください。SDメモリーカードの装着方法については、85ページを参照してください。
4. トップカバーを元の位置に配置し、対角にある2本のネジをまず締め(トルクは0.7 Nm未満)、その後に残り2本のネジを締めます。

## ドームカバーの交換

### 重要

本製品は、除湿膜を使用してドーム内の湿度を低く保っています。結露を予防するために、カメラを雨の中または湿った状態で分解しないでください。

### 注意

ドームカバーに傷が付いたり、損傷したりしないよう注意してください。可能であれば、設置が完了するまでドームカバーに保護プラスチックを付けたままにしてください。

スモークドームカバーを使用したい場合や、ドームカバーに傷が付いたり、損傷したりした場合にのみ、ドームカバーの交換が必要になります。スモークドームカバーおよび交換用の透明ドームカバーは、Axisの販売代理店から購入できます。

コンポーネントの位置については、79ページの、ハードウェアの概要を参照してください。

1. トップカバー用ネジを緩めて、トップカバーを取り外します。
2. 8本のドームリングのネジを取り外し、トップカバーからドームリングを取り外します。
3. ドームリングと代替ドームカバーをトップカバーに取り付け、ネジを締めて固定します(トルク0.4~0.6 Nm)。
4. SDカード(別売)の装着方法については、85ページを参照してください。

5. トップカバーを元の位置に配置し、対角にある2本のネジを締め(トルクは0.7 Nm未満)、その後に残りのネジを締めます。

## SDカードの装着

### 注記

SDカードは、取り外す前に、録画データが破損しないようにアンマウントする必要があります。SDカードをアンマウントするには、**Setup > System Options > Storage > SD Card (設定 > システムオプション > ストレージ > SDカード)**を選択し、**Unmount (アンマウント)**をクリックします。

必要に応じて、標準または大容量のSDカード(非付属品)を装着すると、ローカルに録画を行うことができます。

コンポーネントの位置については、79ページの、*ハードウェアの概要*を参照してください。

1. サンシールドを取り除きます。
2. 4本のトップカバー用ネジを緩めて、トップカバーを取り外します。
3. SDカード(非付属品)をSDカードスロットに挿入します。
4. トップカバーを元の位置に配置し、対角にある2本のネジをまず締め(トルク0.7 Nm未満)、その後に残りのネジを締めます。
5. サンシールドを元の位置に取り付け、ネジを締めます。

## ブラケット(別売)へのカメラの取り付け

### 警告

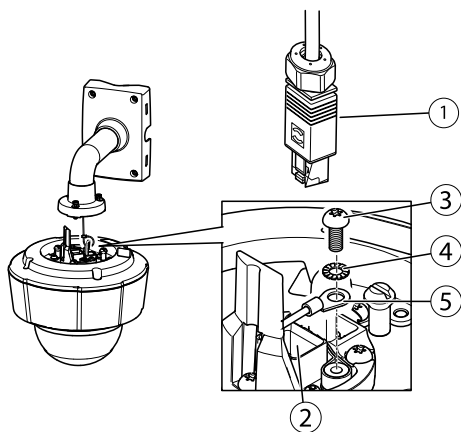
- 感電の危険があります。本製品は、アース線を使用して接地してください。アース線の両端がアース面と接触していることを確認してください。

### 注記

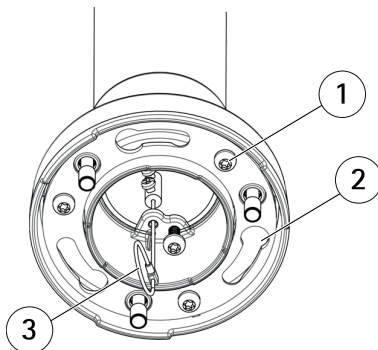
- カメラのIP66対応設計への準拠およびIP66保護等級の維持のため、必ず付属のRJ45 プッシュプルコネクタ(IP66等級)を使用してください。あるいは、RJ45コネクタ付きのIP66等級のケーブルをAxisの販売代理店から購入してください。ネットワークコネクタのプラスチックシールドをカメラから取り外さないでください。
  - 接続時にネットワークケーブルを傷つけないよう、注意してください。
1. ブラケット付属の説明書に従って、ブラケット(非付属品)を取り付けます。ドリルによる穴開けが必要な場合は、素材に適したドリルビット、ネジ、プラグを使用してください。利用可能なアクセサリについては、[www.axis.com](http://www.axis.com)を参照してください。
  2. 付属の安全ワイヤーを使用してカメラを固定します。

## AXIS P55-E Network Camera Series

3. ネットワークケーブルとアース線を取り付け用ブラケットの穴に通します。できるだけ短い電流路にするため、できる限りアース線が短くなるようにしてください。
4. アース端子ネジをゆるめ、ワッシャーとケーブルシューを取り外します。



1. ネットワークコネクタ - RJ45 プッシュプルコネクタ (IP66)
  2. ネットワークコネクタとネットワークコネクタシールド
  3. アース端子ネジ T20
  4. ワッシャー
  5. ケーブルシュー
5. ケーブルシュープライヤーを使用して、アース線 (トルク 1.5~2 Nm) をケーブルシューに取り付けます。
  6. ケーブルシューとワッシャーを元の位置に戻し、ネジをしっかりと締めます (トルク 0.5 Nm)。ケーブルシューがアース面と接触していることを確認してください。
  7. 付属の RJ45 プッシュプルコネクタ (IP66) を付属の説明書に従ってネットワークケーブルに接続します。



- 1 ネジ
- 2 ユニットホルダー用スロット
- 3 安全ワイヤー

8. ネットワークケーブルをカメラに接続します。
9. ネットワークカメラのユニットホルダーを取り付け用ブラケットのスロットにはめ込み、カメラユニットを回転させます。
10. ネジを締め、ネットワークカメラを取り付けブラケットに固定します。

## 製品へのアクセス

ネットワーク上でAXIS製品を検索したり、Windows®でそれにIPアドレスを割り当てるには、AXIS IP UtilityまたはAXIS Camera Managementの使用をお勧めします。いずれのアプリケーションも無料で、[www.axis.com/techsupd](http://www.axis.com/techsupd)からダウンロードできます

本製品は、ほとんどのオペレーティングシステムとブラウザでご利用いただけます。推奨ブラウザは以下のとおりです。

- Internet Explorer® (Windows®の場合)
- Safari® (OS X®の場合)
- Chrome™またはFirefox® (その他のオペレーティングシステムの場合)

製品の使用の詳細については、Axisのホームページ ([www.axis.com](http://www.axis.com)) でユーザーズマニュアルを参照してください

## 工場出荷時の設定にリセットする

### 重要

工場出荷時の設定へのリセットは慎重に行ってください。工場出荷時の設定へのリセットを行うと、IPアドレスを含むすべての設定が工場出荷時の値にリセットされます。

## AXIS P55-E Network Camera Series

---

### 注意

[www.axis.com/techsup](http://www.axis.com/techsup)のサポートページに、インストール・管理ソフトウェアツールが用意されています。

本製品を工場出荷時の設定にリセットするには、以下の手順を実行します。

1. コントロールボタンと再起動ボタンを同時に押し、そのまま押し続けます。
2. 再起動ボタンだけを離し、コントロールボタンをステータスインジケータLEDが黄色に点滅するまで15～30秒間押し続けます。
3. コントロールボタンを離します。プロセスが完了すると、ステータスLEDが緑色に変わります。これで本製品は工場出荷時の設定にリセットされました。ネットワーク上に利用可能なDHCPサーバーがない場合、デフォルトのIPアドレスは192.168.0.90になります。
4. インストール・管理ソフトウェアツールを使用して、IPアドレスの割り当て、パスワードの設定、ビデオストリームへのアクセスを行います。

Webインターフェースを使用して、各種パラメーターを工場出荷時の設定に戻すこともできます。**[Setup - System Options - Maintenance] (設定 - システムオプション - 保守)**を選択します。

## 関連情報

ユーザーズマニュアルは、[www.axis.com](http://www.axis.com)で入手できます。

[www.axis.com/techsup](http://www.axis.com/techsup)にアクセスして、ご使用のネットワーク製品の新しいファームウェアがリリースされていないかを確認してください。現在インストールされているファームウェアのバージョンを確認するには、**[Setup - About] (設定 - バージョン情報)**を参照してください。

Axisラーニングセンター ([www.axis.com/academy](http://www.axis.com/academy)) にアクセスしてください。役に立つトレーニング、ウェブセミナー、チュートリアル、ガイドをご用意しています。

## 保証情報

Axisの製品保証と関連情報については、[www.axis.com/warranty/](http://www.axis.com/warranty/)をご覧ください





