

AXIS Q3538-SLVE Dome Camera

Stainless steel 8 MP dome for corrosive areas

Enclosed in marine-grade stainless steel (SS 316L), DNV-certified casing, this robust camera is resistant to the corrosive effects of sea water and cleaning chemicals. Plus, it's protected against redirection, defocusing, and impacts and can withstand wide temperatures ranges. It offers outstanding image quality in superior 4K resolution under any light conditions. Featuring a deep learning processing unit (DLPU), it supports advanced analytics based on deep learning on the edge. And, thanks to AXIS Object Analytics, it can detect and classify people, and different types of vehicles—all tailored to specific needs. Furthermore, built-in cybersecurity features help safeguard your system.

- > **Ideal for corrosive and harsh conditions**
- > **Marine-grade stainless steel casing**
- > **Outstanding image quality in 4K**
- > **Support for analytics with deep learning**
- > **Built-in cybersecurity features**



AXIS Q3538-SLVE Dome Camera

Camera

Image sensor

1/1.2" progressive scan RGB CMOS
Pixel size 2.9 μm

Lens

Varifocal, 6.2–12.9 mm, F1.6–2.9
Horizontal field of view: 103°–49°
Vertical field of view: 56°–28°
Varifocal, Remote focus and zoom, P-Iris control, IR corrected

Day and night

Automatically removable infrared-cut filter

Minimum illumination

Color: 0.07 lux at 50 IRE, F1.6
B/W: 0 lux at 50 IRE, F1.6

Shutter speed

1/66500 s to 2 s

Camera adjustment

Pan $\pm 180^\circ$, tilt -43 to $+80^\circ$, rotation $\pm 175^\circ$

System on chip (SoC)

Model

ARTPEC-8

Memory

2048 MB RAM, 8194 MB Flash

Compute capabilities

Deep learning processing unit (DLPU)

Video

Video compression

H.264 (MPEG-4 Part 10/AVC) Baseline, Main and High Profiles
H.265 (MPEG-H Part 2/HEVC) Main Profile
Motion JPEG

Resolution

16:9: 3840x2160 to 160x90
16:10: 1280x800 to 160x100
4:3: 2880x2160 to 160x120

Frame rate

With WDR: 25/30 fps with power line frequency 50/60 Hz
Without WDR: 50/60 fps with power line frequency 50/60 Hz

Video streaming

Multiple, individually configurable streams in H.264, H.265 and Motion JPEG
Axis Zipstream technology in H.264 and H.265
Controllable frame rate and bandwidth
VBR/ABR/MBR H.264/H.265
Low latency mode
Video streaming indicator

WDR

Forensic WDR: Up to 120 dB depending on scene

Multi-view streaming

Up to 8 individually cropped out view areas

Image settings

Saturation, contrast, brightness, sharpness, white balance, day/night threshold, tone mapping, exposure mode, exposure zones, defogging, barrel distortion correction, electronic image stabilization, compression, rotation: 0°, 90°, 180°, 270° including Corridor Format, mirroring, text and image overlay, dynamic text and image overlay, privacy masks, polygon privacy mask

Image processing

Axis Zipstream, Forensic WDR, Lightfinder 2.0, OptimizedIR

Pan/Tilt/Zoom

Digital PTZ, optical zoom, preset positions
Limited guard tour, control queue, on-screen directional indicator
Tour recording (max 10, max duration 16 minutes each), guard tour (max 100)
2x optical zoom

Audio

Audio features

Automatic gain control
Speaker pairing

Audio streaming

Configurable duplex:
Two-way (full duplex)

Audio encoding

24bit LPCM, AAC-LC 8/16/48 kHz, G.711 PCM 8 kHz, G.726 ADPCM 8 kHz, Opus 8/16/48 kHz
Configurable bit rate

Audio input/output

External microphone input or line input (balanced or unbalanced), line output, digital audio input

Microphone power:

Microphone power 5V on tip, ring power 12V on ring, phantom power 12V on tip/ring

Network

Network protocols

IPv4, IPv6 USGv6, ICMPv4/ICMPv6, HTTP, HTTPS¹, HTTP/2, TLS¹, QoS Layer 3 DiffServ, FTP, SFTP, CIFS/SMB, SMTP, mDNS (Bonjour), UPnP[®], SNMP v1/v2c/v3 (MIB-II), DNS/DNSv6, DDNS, NTP, RTSP, RTCP, RTP, SRTP/RTSPS, TCP, UDP, IGMPv1/v2/v3, DHCPv4/v6, ARP, SSH, SIP, LLDP, CDP, MQTT v3.1.1, Secure syslog (RFC 3164/5424, UDP/TCP/TLS), Link-Local address (ZeroConf)

System integration

Application Programming Interface

Open API for software integration, including VAPIX[®], metadata and AXIS Camera Application Platform (ACAP); specifications at axis.com/developer-community.

One-click cloud connection

ONVIF[®] Profile G, ONVIF[®] Profile M, ONVIF[®] Profile S, and ONVIF[®] Profile T specification at onvif.org

Video management systems

Compatible with AXIS Camera Station Edge, AXIS Camera Station Pro, AXIS Camera Station 5, and video management software from Axis' partners available at axis.com/vms.

Onscreen controls

Electronic image stabilization

Day/night shift

Defogging

Wide dynamic range

Video streaming indicator

IR illumination

Heater

Edge-to-edge

Speaker pairing

Event conditions

Analytics, external input, supervised external input, edge storage events, virtual inputs through API

Audio: audio detection, audio clip playing

Call: state, state change

Device status: above operating temperature, above or below operating temperature, below operating temperature, IP address removed, network lost, new IP address, shock detected, casing open, storage failure, system ready, within operating temperature

Digital audio: digital signal contains Axis metadata, digital signal has invalid sample rate, digital signal missing, digital signal okay

Edge storage: recording ongoing, storage disruption, storage health issues detected

I/O: digital input, manual trigger, virtual input

MQTT subscribe

MQTT: stateless

Scheduled and recurring: schedule

Video: tampering, average bitrate degradation, day-night mode, live stream open

Event actions

I/O: toggle I/O once, toggle I/O while the rule is active

Record video: SD card and network share

Upload of images or video clips: FTP, SFTP, HTTP, HTTPS, network share and email

Pre- and post-alarm video or image buffering for recording or upload

Notification: email, HTTP, HTTPS, TCP and SNMP trap

Calls: end SIP call, make SIP call, answer call

MQTT publish

Overlay text, external output activation, play audio clip, zoom preset, day/night mode, make call, flash status LED, use lights, set defog mode, send MQTT publish message, set WDR mode

Built-in installation aids

Leveling assistant, straighten image, image grid, pixel counter

Analytics

Applications

Included

AXIS Object Analytics, AXIS Scene Metadata, AXIS Image Health Analytics, AXIS Live Privacy Shield², AXIS Video Motion Detection, active tampering alarm, audio detection

Supported

AXIS License Plate Verifier

Support for AXIS Camera Application Platform enabling installation of third-party applications, see axis.com/acap

1. This product includes software developed by the OpenSSL Project for use in the OpenSSL Toolkit. (openssl.org), and cryptographic software written by Eric Young (eay@cryptsoft.com).

2. Available for download

AXIS Object Analytics

Object classes: humans, vehicles (types: cars, buses, trucks, bikes, other)

Scenarios: line crossing, object in area, time in area, crossline counting, occupancy in area, motion in area, motion line crossing

Up to 10 scenarios

Other features: triggered objects visualized with trajectories, color-coded bounding boxes and tables

Polygon include/exclude areas

Perspective configuration

ONVIF Motion Alarm event

AXIS Image Health Analytics

Detection settings:

Tampering: blocked image, redirected image

Image degradation: blurred image, underexposed image

Other features: sensitivity, validation period

AXIS Scene Metadata

Object classes: humans, faces, vehicles (types: cars, buses, trucks, bikes), license plates

Object attributes: vehicle color, upper/lower clothing color, confidence, position

Approvals

Product markings

BIS, CE, DNV, NSF, KC, RCM, UL/cUL, UKCA, VCCI, WEEE

Supply chain

TAA compliant

EMC

CISPR 35, EN 50121-4, EN 55032 Class A, EN 55035, EN 61000-3-2, EN 61000-3-3, EN 61000-6-1, EN 61000-6-2

Australia/New Zealand: RCM AS/NZS CISPR 32 Class A

Canada: ICES-3(A)/NMB-3(A)

Japan: VCCI Class A

USA: FCC Part 15 Subpart B Class A

Railway: IEC 62236-4

Safety

CAN/CSA-C22.2 No. 60950-22,

CAN/CSA C22.2 No. 62368-1, IEC/EN/UL 62368-1,

IEC/EN/UL 60950-22, IEC 62471, IS 13252

Environment

IEC 60068-2-1, IEC 60068-2-2, IEC 60068-2-6,

IEC 60068-2-14, IEC 60068-2-27, IEC 60068-2-78,

IEC/EN 60529 IP66, IEC/EN 60529 IP67,

IEC/EN 60529 IP68, ISO 20653 IP6K9K, IEC/EN 62262

IK11 (50J), NEMA 250 Type 4X, NEMA TS 2 (2.2.7-2.2.9)

Network

NIST SP500-267

Cybersecurity

ETSI EN 303 645, BSI IT Security Label, FIPS 140

Certifications

DNV:

EMC B, enclosure C, humidity B, temperature D, vibration A

Certificate: TAA00003C6

NSF:

Certificate: C0759806

Cybersecurity

Edge security

Software: Signed OS, brute force delay protection, digest authentication and OAuth 2.0 RFC6749 OpenID Authorization Code Flow for centralized ADFS account management, password protection, Axis Cryptographic Module (FIPS 140-2 level 1), AES-XTS-Plain64 256bit SD card encryption

Hardware: Axis Edge Vault cybersecurity platform TPM 2.0 (CC EAL4+, FIPS 140-2 Level 2), secure element (CC EAL 6+), system-on-chip security (TEE), Axis device ID, secure keystore, signed video, secure boot, encrypted filesystem (AES-XTS-Plain64 256bit)

Network security

IEEE 802.1X (EAP-TLS, PEAP-MSCHAPv2)³,

IEEE 802.1AE (MACsec PSK/EAP-TLS), IEEE 802.1AR,

HTTPS/HSTS³, TLS v1.2/v1.3³, Network Time Security

(NTS), X.509 Certificate PKI, host-based firewall

Documentation

AXIS OS Hardening Guide

Axis Vulnerability Management Policy

Axis Security Development Model

AXIS OS Software Bill of Material (SBOM)

To download documents, go to axis.com/support/cybersecurity/resources

To read more about Axis cybersecurity support, go to axis.com/cybersecurity

3. This product includes software developed by the OpenSSL Project for use in the OpenSSL Toolkit. (openssl.org), and cryptographic software written by Eric Young (eay@cryptsoft.com).

General

Casing

IP6K9K-, IP66-, IP67-, IP68- and NEMA 4X-rated, IK11 (50 joules) impact-resistant stainless steel casing
Polycarbonate hard-coated dome and dehumidifying membranes
Electropolished SS 316L stainless steel
Encapsulated electronics
Captive stainless steel screws

Mounting

Mounting bracket with junction box holes (double-gang, single-gang, 4" square, and 4" octagon)
3/4" (M25) conduit side entry

Power

Power over Ethernet (PoE) IEEE 802.3at Type 2 Class 4
Typical 9 W, max 23 W
10–28 V DC, typical 9 W, max 24 W

Connectors

Audio: 3.5 mm mic/line in, 3.5 mm line out
I/O: Terminal block for two configurable supervised inputs / digital outputs (12 V DC output, max load 50 mA)
Network: Shielded RJ45 10BASE-T/100BASE-TX/1000BASE-T PoE
Power: DC input

IR illumination

Optimized IR with power-efficient, long-life 850 nm IR LEDs
Range of reach 40 m (130 ft) or more depending on the scene

Storage

Support for microSD/microSDHC/microSDXC card
Support for SD card encryption (AES-XTS-Plain64 256bit)
Recording to network-attached storage (NAS)
For SD card and NAS recommendations see axis.com

Operating conditions

-50 °C to 55 °C (-58 °F to 131 °F)
Maximum temperature according to NEMA TS 2 (2.2.7): 74 °C (165 °F)
Start-up temperature: -40 °C (-40 °F)
Humidity 10–100% RH (condensing)

Storage conditions

-40 °C to 65 °C (-40 °F to 149 °F)
Humidity 5–95% RH (non-condensing)

Dimensions

Height: 125 mm (4.9 in)
ø 195 mm (7.7 in)

Weight

2.2 kg (4.9 lb)

Box content

Installation guide, Windows® decoder 1-user license, drill template, terminal block connectors for DC and I/O, RESISTORX® L-key, connector guard, ø5–15mm cable gaskets, ø3–5mm cable gasket, mounting bracket, plugs

Optional accessories

AXIS TQ3807-E Dome Smoked
AXIS TQ3807-E Dome Clear
AXIS T91F61 Wall Mount
AXIS T91F67 Pole Mount
AXIS T94U02D Pendant Kit with weathershield
AXIS T94U01D Pendant Kit
AXIS Multicable B I/O Audio Power
AXIS T8415 Wireless Installation Tool
AXIS Surveillance Cards
For more accessories, go to axis.com/products/axis-q3538-slve#accessories

System tools

AXIS Site Designer, AXIS Device Manager, product selector, accessory selector, lens calculator
Available at axis.com

Languages

English, German, French, Spanish, Italian, Russian, Simplified Chinese, Japanese, Korean, Portuguese, Polish, Traditional Chinese, Dutch, Czech, Swedish, Finnish, Turkish, Thai, Vietnamese

Warranty

5-year warranty, see axis.com/warranty

Part numbers

Available at axis.com/products/axis-q3538-slve#part-numbers

Sustainability

Substance control

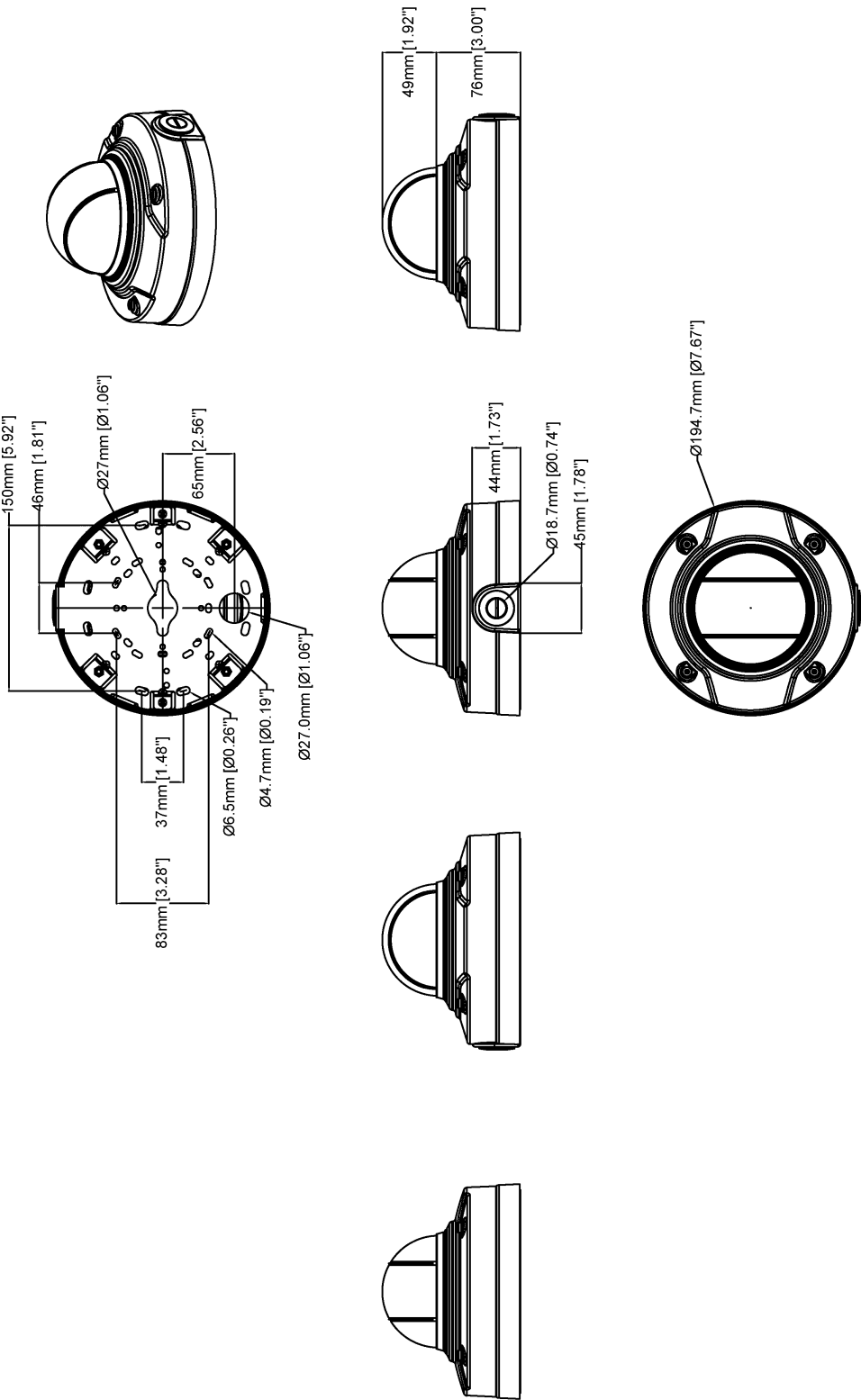
PVC free
RoHS in accordance with EU RoHS Directive 2011/65/EU/ and EN 63000:2018
REACH in accordance with (EC) No 1907/2006. For SCIP UUID, see axis.com/partner.

Environmental responsibility

axis.com/environmental-responsibility

Axis Communications is a signatory of the UN Global Compact, read more at unglobalcompact.org

Dimension drawing



AXIS COMMUNICATIONS
AXIS Q3538-SLVE Dome Camera

www.axis.com

Revision	v.01	Revision date	2022-12-12
Paper size	A4	Release date	2022-12-12
Created by	MF	Scale	1:5

© 2022 Axis Communications

Highlighted capabilities

Axis Edge Vault

Axis Edge Vault is the hardware-based cybersecurity platform that safeguards the Axis device. It forms the foundation that all secure operations depend on and offer features to protect the device's identity, safeguard its integrity and protect sensitive information from unauthorized access. For instance, **secure boot** ensures that a device can boot only with **signed OS**, which prevents physical supply chain tampering. With signed OS, the device is also able to validate new device software before accepting to install it. And the **secure keystore** is the critical building-block for protecting cryptographic information used for secure communication (IEEE 802.1X, HTTPS, Axis device ID, access control keys etc.) against malicious extraction in the event of a security breach. The secure keystore and secure connections are provided through a Common Criteria or FIPS 140 certified hardware-based cryptographic computing module.

Furthermore, signed video ensures that video evidence can be verified as untampered. Each camera uses its unique video signing key, which is securely stored in the secure keystore, to add a signature into the video stream allowing video to be traced back to the Axis camera from where it originated.

To read more about Axis Edge Vault, go to axis.com/solutions/edge-vault.

Zipstream

The Axis Zipstream technology preserves all the important forensic in the video stream while lowering bandwidth and storage requirements by an average of 50%. Zipstream also includes three intelligent algorithms, which ensure that relevant forensic information is identified, recorded, and sent in full resolution and frame rate.

Forensic WDR

Axis cameras with wide dynamic range (WDR) technology make the difference between seeing important forensic details clearly and seeing nothing but a blur in challenging light conditions. The difference between the darkest and the brightest spots can spell trouble for image usability and clarity. Forensic WDR effectively reduces visible noise and artifacts to deliver video tuned for maximal forensic usability.

Lightfinder

The Axis Lightfinder technology delivers high-resolution, full-color video with a minimum of motion blur even in near darkness. Because it strips away noise, Lightfinder makes dark areas in a scene visible and captures details in very low light. Cameras with Lightfinder discern color in low light better than the human eye. In surveillance,

color may be the critical factor to identify a person, an object, or a vehicle.

AXIS Object Analytics

AXIS Object Analytics is a preinstalled, multifeatured video analytics that detects and classifies humans, vehicles, and types of vehicles. Thanks to AI-based algorithms and behavioral conditions, it analyzes the scene and their spatial behavior within – all tailored to your specific needs. Scalable and edge-based, it requires minimum effort to set up and supports various scenarios running simultaneously.

OptimizedIR

Axis OptimizedIR provides a unique and powerful combination of camera intelligence and sophisticated LED technology, resulting in our most advanced camera-integrated IR solutions for complete darkness. In our pan-tilt-zoom (PTZ) cameras with OptimizedIR, the IR beam automatically adapts and becomes wider or narrower as the camera zooms in and out to make sure that the entire field of view is always evenly illuminated.

For more information, see axis.com/glossary