

# VB-H730F Mk II

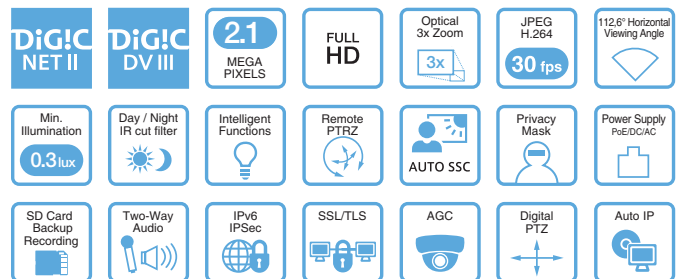


## Keep every angle covered

The VB-H730F Mk II Full HD fixed box camera delivers an ultra-wide 112.6° field of view and superior low-light performance.



- Full HD fixed box IP security camera
- 3x optical zoom lens with ultra-wide 112.6° field of view
- Superior image quality using Canon DIGIC DV III processor
- Canon DIGIC NET II supports multiple motion JPEG and dual H.264 video streams
- Excellent low-light performance: colour at 0.3 lux and mono at 0.015 lux
- Auto Smart Shade Control (Auto-SSC) improves foreground objects in bright backlit scenes
- Motion Adaptive Noise Reduction and Area-Specific Data Size Reduction (ADSR) help reduce data size while optimising image quality
- Built-in analytics functions for intelligent and efficient alarm detection
- Live monitoring and configuration on supported web browsers and mobile devices
- ONVIF® Profile S compliant



# Technical Specifications

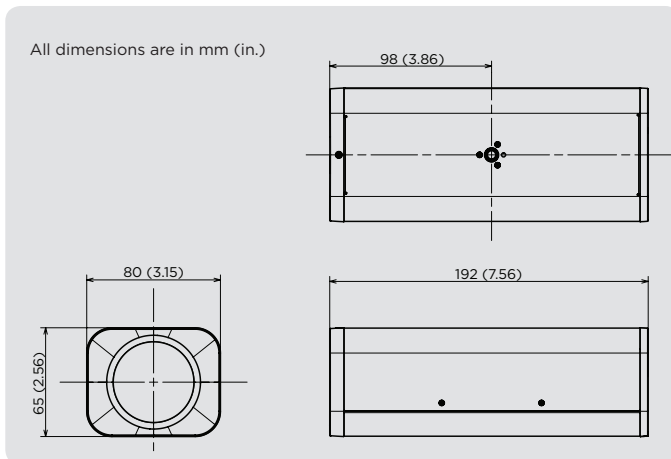
# VB-H730F Mk II

<b>CAMERA</b>	
<b>Image Sensor</b>	1/3 type CMOS (primary colour filter)
<b>Number of Effective Pixels</b>	Approx. 2.1 million pixels
<b>Scanning Method</b>	Progressive
<b>Lens</b>	3x optical zoom (4x digital zoom) lens (electric drive)
<b>Focal Length</b>	2.8 (W) – 8.4 mm (T) (W): maximum wide angle, (T): maximum telephoto
<b>F-number</b>	F1.2 (W) – F2.0 (T)
<b>Viewing Angle</b>	For 16:9 aspect ratios: Horizontal: 112.6° (W) – 36.7° (T) Vertical: 60.8° (W) – 20.6° (T) For 4:3 aspect ratios: Horizontal: 82.3° (W) – 27.5° (T) Vertical: 60.8° (W) – 20.6° (T)
<b>Day / Night Switch</b>	Auto / Day Mode / Night Mode
<b>Min. Subject Illumination</b>	Day Mode (colour): 0.3 lux (F1.2, shutter speed 1/30 sec., when SSC is off, 50IRE) Night Mode (monochrome): 0.015 lux (F1.2, shutter speed 1/30 sec., when SSC is off, 50IRE)
<b>Focus</b>	One-shot AF / Manual / Fixed at infinity
<b>Shooting Distance (from front of lens)</b>	Day Mode: 0.3 m (12 in.) – infinity Night Mode: 1.0 m (3.3 ft.) – infinity
<b>Shutter Speed</b>	1, 1/2, 1/4, 1/8, 1/15, 1/30, 1/50, 1/60, 1/100, 1/120, 1/250, 1/500, 1/1000, 1/2000, 1/4000, 1/8000, 1/10000, 1/16000 sec.
<b>Exposure</b>	Auto / Auto (Flickerless) / Auto (Shutter-priority AE) / Manual (Shutter Speed, Aperture, Gain)
<b>White Balance</b>	Auto/Manual Daylight Fluorescent/White Fluorescent/Warm Fluorescent/ Mercury Lamp/Sodium Lamp/Halogen Lamp Manual: One-shot WB/R Gain/B Gain
<b>Metering Mode</b>	Center-Weighted / Average / Spot
<b>Exposure Compensation</b>	9 levels
<b>Smart Shade Control</b>	Auto / Manual / Disable Auto: 3 levels Manual: 7 levels
<b>Haze Compensation</b>	Auto / Manual / Disable Auto: 3 levels Manual: 7 levels
<b>AGC Limit</b>	6 levels
<b>Motion-Adaptive NR (Noise Reduction)</b>	Available
<b>SERVER UNIT</b>	
<b>Video Compression Method</b>	JPEG, H.264
<b>Video Size</b>	JPEG, H.264: 1920 x 1080, 960 x 540, 480 x 270 1280 x 720, 640 x 360, 320 x 180 1280 x 960, 640 x 480, 320 x 240
<b>Video Quality</b>	JPEG, H.264: 10 levels
<b>Frame Rate</b>	JPEG: 0.1 – 30 fps H.264: 1/2/3/5/6/10/15/30 fps - Values represent streaming performance from the camera. - The frame rate may be reduced due to Viewer PC's specs, the number of clients accessing at the same time, network loads, video quality setting, type or movement of the subject or other reasons.
<b>Max. Frame Rate</b>	When streaming JPEG, H.264 (1920 x 1080): 30 fps When used in the following combinations: When streaming H.264(1) (1920 x 1080) and H.264(2) (all sizes) simultaneously: 15 fps When streaming H.264(1) (all sizes) and H.264(2) (1920 x 1080) simultaneously: 15 fps When streaming H.264(1) (1280 x 960) and H.264(2) (1280 x 960) simultaneously: 15 fps When streaming H.264(1) (1280 x 720) and H.264(2) (1280 x 720) simultaneously: 15 fps
<b>I-Frame Interval</b>	0.5 / 1 / 1.5 / 2 / 3 / 4 / 5 sec.
<b>Simultaneous Client Access</b>	Max. 30 Clients + 1 Admin Client - H.264: Max. 10 Clients
<b>Bit Rate Control</b>	Target Bit Rate: 64/128/256/384/512/768/1024/1536/2048/3072/4096/6144/8192/10240/12288/14336/16384 kbps
<b>ADSR: Area-specific Data Size Reduction</b>	Number of Specified Areas: Max. 8 areas Data Size Reduction Level: 3 levels
<b>Encrypted Communications</b>	SSL / TLS, IPsec (Auto Key Exchange / Manual)
<b>IEEE802.1X Protocol</b>	EAP-MD5, EAP-TLS, EAP-TTLS, EAP-PEAP
<b>ONVIF Profile</b>	Profile-S
<b>Audio Compression Method</b>	G.711 μ-law (64 kbps)
<b>Audio Communication Method</b>	Full-duplex (two-way)/half-duplex - Echo cancellation function compliant RTP, Sound Transfer Protocol by Canon
<b>Audio File Playback</b>	Available (audio files can be played back when an event is triggered by the intelligent function or external device input.) - A third-party amplifier speaker is necessary

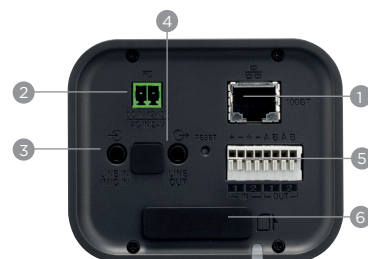
<b>Privacy Mask</b>	Number of registration: Max. 8 places, Number of mask colours: 1 (select from 9 colours)
<b>Preset</b>	Number of registers: Max. 20 positions (+Home Position) Number of Preset Tour Route: Max. 1
<b>Intelligent Function</b>	Video: Moving Object Detection, Abandoned Object Detection, Removed Object Detection, Camera Tampering Detection, Passing Detection, Intrusion Detection Detection Settings: Max. 15 Non-detection Area Settings: Available Audio: Volume Detection, Scream Detection
<b>Event Trigger Type</b>	External Device Input, Intelligent Function (Video), Intelligent Function (Audio), Timer, Day/Night Mode Switching Number of Linked Events: 2 Linked Event Conditions: OR, AND (whether or not there is a sequence to events)
<b>Image Upload</b>	FTP/HTTP/SMTP (e-mail)
<b>Event Notification</b>	HTTP/SMTP (e-mail)
<b>Image Cropping Function</b>	Digital PTZ Cropping sizes: 640 x 360 / 512 x 288 / 384 x 216 / 256 x 144 / 128 x 72 640 x 480 / 512 x 384 / 384 x 288 / 256 x 192 / 128 x 96
<b>On-Screen Display</b>	Available (English only) - The following languages require the use of the On-Screen Display Assist Tool. German/Spanish/French/Italian/Polish/Russian/Turkish/ Korean/Chinese (Simplified) /Japanese
<b>Daylight Saving Time</b>	Available
<b>APPLICATION</b>	
<b>Viewer</b>	Camera Viewer Mobile Camera Viewer
<b>Camera software</b>	Camera Management Tool Recorded Video Utility On-Screen Display Assist Tool
<b>Language</b>	German/English/Spanish/French/Italian/Polish/Russian/ Turkish/Thai/Korean/Chinese (Simplified) /Japanese
<b>INTERFACE</b>	
<b>Network Terminal</b>	LAN x1 (RJ45, 100Base-TX (auto/full-duplex/half-duplex))
<b>Audio Input Terminal (Common for LINE IN &amp; MIC IN)</b>	Ø3.5 mm (Ø0.14 in.) mini-jack connector (monaural) LINE IN (connect to an amplifier microphone) or MIC IN (connect to a microphone w/o amplifier) - Switch LINE IN/MIC IN in the Setting Page.
<b>Audio Output Terminal (LINE OUT)</b>	Ø3.5 mm (Ø0.14 in.) mini-jack connector (monaural) LINE OUT x1 (connect to an amplifier speaker)
<b>External Device I/O Terminal</b>	Input x 2, Output x 2
<b>Memory Card</b>	SD Memory Card, SDHC Memory Card, SDXC Memory Card Compatible. Frame Rate: Max. 1 fps (JPEG) Max. 30 fps (H.264)
<b>OTHER</b>	
<b>Operating Environment</b>	Temperature: -10°C – +50°C (+14°F – +122°F) Humidity: 5% – 85% (without condensation)
<b>Power Supply</b>	PoE: PoE power supply via LAN connector (IEEE802.3at Type1 compliant) AC Adapter: PA-V18 (100 – 240 V AC) (sold separately) External power source: 24 V AC/12 V DC
<b>Power Consumption</b>	When using PoE: Max. approx. 6.9 W* When using AC Adapter PA-V18: Max. approx. 7.5 W (100 V AC) Max. approx. 7.8 W (240 V AC) When using DC: Max. approx. 7.0 W When using AC: Max. approx. 6.5 W * Class 0 power sourcing equipment (requests 15.4 W)
<b>Dimensions</b>	(H x W x D) 65 x 80 x 192 mm (2.56 x 3.15 x 7.56 in.)
<b>Weight</b>	Approx. 670 g (1.48 lb.)
<b>International Standard</b>	EN55032 Class B, FCC part15 subpart B Class B, ICES-003 Class B, VCCI Class B, RCM AS/NZS EN55032 Class B, CNS13438 Class B, KN32 Class B, EN55024, KN35, EN50581 ----- IEC/UL/EN60950-1

All data is based on Canon standard testing methods except where indicated. Subject to change without notice.  
™ and ®: All company and / or product names are trademarks and / or registered trademarks of their respective manufacturers in their markets and / or countries.

## Dimensions



## Connectivity



- 1 Network Interface** RJ45, 100Base-TX (Auto / Full-duplex / Half-duplex)
- 2 Power Connection Terminal** 12V DC / 24V AC
- 3 Audio Input** 3.5mm mono mini-jack
- 4 Audio Output** 3.5mm mono mini-jack
- 5 External Device I/O** 2 x Inputs / 2 x Outputs
- 6 Memory Card Slot** SD and SDHC Memory Card compatible

Keep every angle covered

# VB-H730F Mk II



The VB-H730F Mk II Full HD fixed box camera delivers an ultra-wide 112.6° field of view and superior low-light performance.

Sales Start Date: Q1, 2018

#### Product Details:

Product Name	Mercury Code	EAN Code
Network Camera VB-H730F Mk II	2551C001AB	4549292106930

#### Measurement / Logistic Information:

Product Name	Mercury code	Pack type	Pack description	Quantity per pack	Length (mm)	Width (mm)	Height (mm)	Net Weight (kg)	Gross Weight (kg)
Network Camera VB-H730F Mk II	2551C001AB	EA	Each	1	252	165	130	Approx. 0.7	Approx. 1.1
		CT	Carton	6	409	350	288	Approx. 4.0	Approx. 7.1
		EP	Euro Pallet	—	—	—	—	—	—

#### What's in the box?

- VB-H730F Mk II Main Unit
- Power Connector
- Instruction Guide
- Warranty Card
- Before Using this Camera
- EAC-Supported Guide