

ENGLISH

FRANÇAIS

DEUTSCH

ITALIANO

ESPAÑOL

日本語

AXIS T98A-VE Media Converter Cabinet A Series

Installation Guide

Legal Considerations

Video and audio surveillance can be regulated by laws that vary from country to country. Check the laws in your local region before using this product for surveillance purposes.

Liability

Every care has been taken in the preparation of this document. Please inform your local Axis office of any inaccuracies or omissions. Axis Communications AB cannot be held responsible for any technical or typographical errors and reserves the right to make changes to the product and manuals without prior notice. Axis Communications AB makes no warranty of any kind with regard to the material contained within this document, including, but not limited to, the implied warranties of merchantability and fitness for a particular purpose. Axis Communications AB shall not be liable nor responsible for incidental or consequential damages in connection with the furnishing, performance or use of this material. This product is only to be used for its intended purpose.

Intellectual Property Rights

Axis AB has intellectual property rights relating to technology embodied in the product described in this document. In particular, and without limitation, these intellectual property rights may include one or more of the patents listed at www.axis.com/patent.htm and one or more additional patents or pending patent applications in the US and other countries.

Equipment Modifications


This equipment must be installed and used in strict accordance with the instructions given in the user documentation. This equipment contains no user-serviceable components. Unauthorized equipment changes or modifications will invalidate all applicable regulatory certifications and approvals.

Trademark Acknowledgments

AXIS COMMUNICATIONS, AXIS, ETRAX, ARTPEC and VAPIX are registered trademarks or trademark applications of Axis AB in various jurisdictions. All other company names and products are trademarks or registered trademarks of their respective companies.

Regulatory Information

Europe

 This product complies with the applicable CE marking directives and harmonized standards:

- Electromagnetic Compatibility (EMC) Directive 2004/108/EC. See *Electromagnetic Compatibility (EMC)* on page 2.
- Low Voltage (LVD) Directive 2006/95/EC. See *Safety* on page 2.
- Restrictions of Hazardous Substances (RoHS) Directive 2011/65/EU. See *Disposal and Recycling* on page 3.

A copy of the original declaration of conformity may be obtained from Axis Communications AB. See *Contact Information* on page 3.

Electromagnetic Compatibility (EMC)

This equipment has been designed and tested to fulfill applicable standards for:

- Radio frequency emission when installed according to the instructions and used in its intended environment.
- Immunity to electrical and electromagnetic phenomena when installed according to the instructions and used in its intended environment.

USA

This equipment has been tested using a shielded network cable (STP) and found to comply with the limits for a Class A digital device, pursuant to part 15 of the FCC Rules. These limits are designed to provide reasonable protection against harmful interference when the equipment is operated in a commercial environment. This equipment generates, uses, and can radiate radio frequency energy and, if not installed and used in accordance with the instruction manual, may cause harmful interference to radio communications. Operation of this equipment in a residential area is likely to cause harmful interference in which case the user will be required to correct the interference at his own expense. The product shall be connected using a shielded network cable (STP) that is properly grounded.

Canada

This digital apparatus complies with CAN ICES-3 (Class A). The product shall be connected using a shielded network cable (STP) that is properly grounded. Cet appareil numérique est conforme à la norme NMB ICES-3 (classe A). Le produit doit être connecté à l'aide d'un câble réseau blindé (STP) qui est correctement mis à la terre.

Europe

This digital equipment fulfills the requirements for RF emission according to the Class A limit of EN 55022. The product shall be connected using a shielded network cable (STP) that is properly grounded. Notice! This is a Class A product. In a domestic environment this product may cause RF interference, in which case the user may be required to take adequate measures.

This product fulfills the requirements for emission and immunity according to EN 50121-4 and IEC 62236-4 railway applications.

This product fulfills the requirements for immunity according to EN 61000-6-1 residential, commercial and light-industrial environments.

This product fulfills the requirements for immunity according to EN 61000-6-2 industrial environments.

This product fulfills the requirements for immunity according to EN 55024 office and commercial environments

Australia/New Zealand

This digital equipment fulfills the requirements for RF emission according to the Class A limit of AS/NZS CISPR 22. The product shall be connected using a shielded network cable (STP) that is properly grounded. Notice! This is a Class A product. In a domestic environment this product may cause RF interference, in which case the user may be required to take adequate measures.

Japan

この装置は、クラスA情報技術装置です。この装置を家庭環境で使用すると電波妨害を引き起こすことがあります。この場合には使用者が適切な対策を講ずるよう要求されることがあります。本製品は、シールドネットワークケーブル(STP)を使用して接続してください。また適切に接地してください。

Safety

This product complies with IEC/EN/UL 60950-1 and IEC/EN/UL 60950-22, Safety of Information Technology Equipment. The product shall be grounded either through a shielded network cable (STP) or other appropriate method.

The power supply used with this product shall fulfill the requirements for Safety Extra Low Voltage

(SELV) and Limited Power Source (LPS) according to IEC/EN/UL 60950-1.

Disposal and Recycling

When this product has reached the end of its useful life, dispose of it according to local laws and regulations. For information about your nearest designated collection point, contact your local authority responsible for waste disposal. In accordance with local legislation, penalties may be applicable for incorrect disposal of this waste.

Europe



This symbol means that the product shall not be disposed of together with household or commercial waste. Directive 2012/19/EU on waste electrical and electronic equipment (WEEE) is applicable in the European Union member states. To prevent potential harm to human health and the environment, the product must be disposed of in an approved and environmentally safe recycling process. For information about your nearest designated collection point, contact your local authority responsible for waste disposal. Businesses should contact the product supplier for information about how to dispose of this product correctly.

This product complies with the requirements of Directive 2011/65/EU on the restriction of the use of certain hazardous substances in electrical and electronic equipment (RoHS).

China



This product complies with the requirements of the legislative act Administration on the Control of Pollution Caused by Electronic Information Products (ACPEIP).

Contact Information

Axis Communications AB
Emdalavägen 14
223 69 Lund
Sweden

Tel: +46 46 272 18 00

Fax: +46 46 13 61 30

www.axis.com

Support

Should you require any technical assistance, please contact your Axis reseller. If your questions cannot be answered immediately, your reseller will forward your queries through the appropriate channels to ensure a rapid response. If you are connected to the Internet, you can:

- download user documentation and software updates
- find answers to resolved problems in the FAQ database. Search by product, category, or phrase
- report problems to Axis support staff by logging in to your private support area
- chat with Axis support staff
- visit Axis Support at www.axis.com/techsup/

Learn More!

Visit Axis learning center www.axis.com/academy/ for useful trainings, webinars, tutorials and guides.

Safety Information

Read through this Installation Guide carefully before installing the product. Keep the Installation Guide for future reference.

Hazard Levels

▲DANGER

Indicates a hazardous situation which, if not avoided, will result in death or serious injury.

▲WARNING

Indicates a hazardous situation which, if not avoided, could result in death or serious injury.

▲CAUTION

Indicates a hazardous situation which, if not avoided, could result in minor or moderate injury.

NOTICE

Indicates a situation which, if not avoided, could result in damage to property.

Other Message Levels

Important

Indicates significant information which is essential for the product to function correctly.

Note

Indicates useful information which helps in getting the most out of the product.

Safety Instructions

▲WARNING

- The Axis product shall be installed by a trained professional.

NOTICE

- The Axis product shall be used in compliance with local laws and regulations.
- Store the Axis product in a dry and ventilated environment.
- Avoid exposing the Axis product to shocks or heavy pressure.
- Do not install the product on unstable brackets, surfaces or walls.
- Use only applicable tools when installing the Axis product. Using excessive force with power tools could cause damage to the product.
- Use only accessories that comply with technical specification of the product. These can be provided by Axis or a third party.
- Use only spare parts provided by or recommended by Axis.
- Do not attempt to repair the product by yourself. Contact Axis support or your Axis reseller for service matters.

Transportation

NOTICE

- When transporting the Axis product, use the original packaging or equivalent to prevent damage to the product.

Installation Guide

This Installation Guide provides instructions for installing AXIS T98A Media Converter Cabinet A Series.

Installation Steps

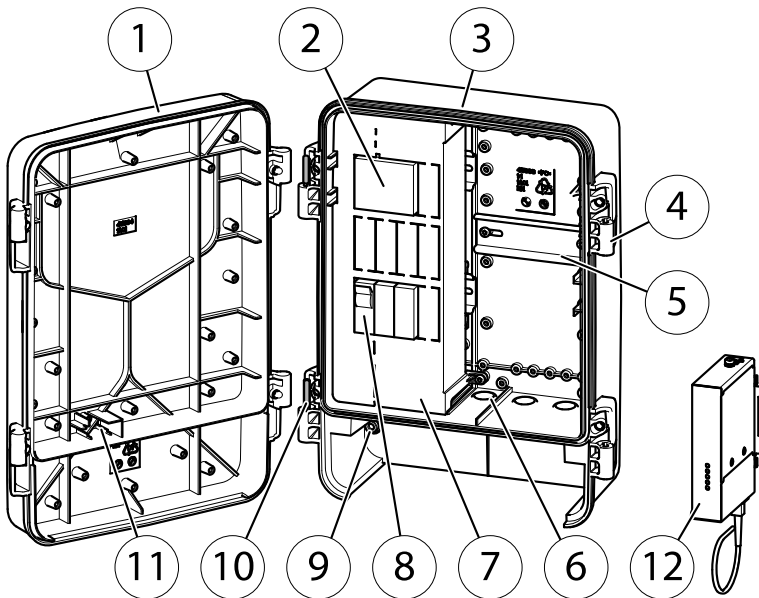
1. Make sure the package contents, tools and other materials necessary for the installation are in order. See *page 7*.
2. Study the hardware overview. See *page 8*.
3. Study the specifications. See *page 12*.
4. Install the hardware. See *page 13*.

Package Contents

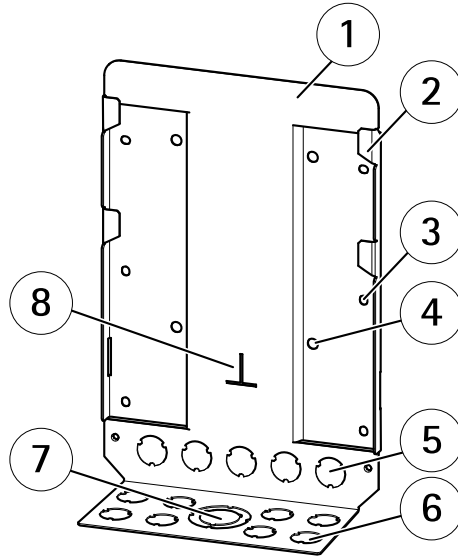
- Surveillance Cabinet
 - AXIS T98A15-VE Media Converter Cabinet A
 - AXIS T98A16-VE Media Converter Cabinet A
 - AXIS T98A17-VE Media Converter Cabinet A
 - AXIS T98A18-VE Media Converter Cabinet A
 - AXIS T98A19-VE Media Converter Cabinet A
- Installation Guide (this document)
- Cable clamps
- Electrical safety cover
- Media Converter
- DIN clip for optional midspan (valid only for variants using midspan)
- Optional Accessories (see *Technical Specifications*)

AXIS T98A-VE Media Converter Cabinet A Series

Hardware Overview



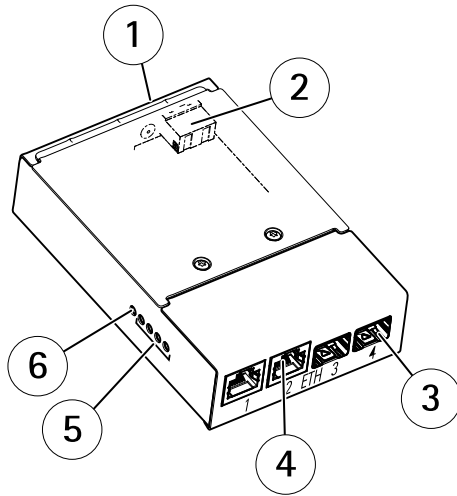
- 1 Cabinet door
- 2 Power supply
- 3 Cabinet base
- 4 Hinges (2x left side, 2x right side)
- 5 DIN rail
- 6 Cable hole and gasket: M25 (3/4 in), M20 (1/2 in) (3x)
- 7 Electrical safety cover
- 8 Electrical safety kit
- 9 Secure screws (2x)
- 10 Hinge pins (2x)
- 11 Slot for door switch
- 12 Media converter



Mounting plate

- 1 Mounting plate
- 2 Hook
- 3 Screw hole for wall mount $\varnothing 6.55$ mm (0.26 in) (6x)
- 4 Screw hole for bracket mount $\varnothing 8.55$ mm (0.35 in) (4x)
- 5 Knock-out M25 (3/4 in) (5x)
- 6 Knock-out M25 (3/4 in) (8x)
- 7 Knock-out M50 (1 1/2 in); M25 (3/4 in)
- 8 Alignment indicator

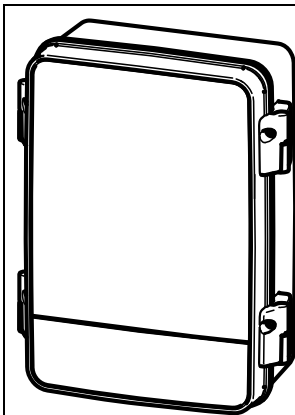
AXIS T98A-VE Media Converter Cabinet A Series



AXIS T8604 Media Converter Switch

- 1 Ground screw
- 2 Power connector (DC input)
- 3 Network connectors SFP
- 4 Network connectors RJ45
- 5 Network LED indicators
- 6 Power LED indicator

Interface Overview

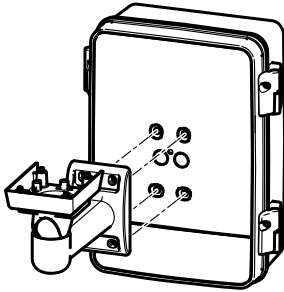


Included in all variants:

- Cable clamp (1x)
- Cable clamp (5x)
- Cable clamp (2x)
- Screw (6x)
- Screw (2x)

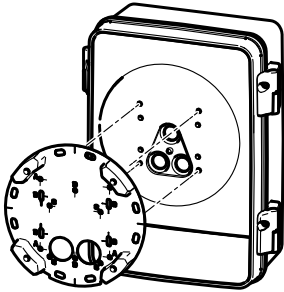
AXIS T98A-VE Media Converter Cabinet A Series

AXIS T98A15-VE Media Converter Cabinet A



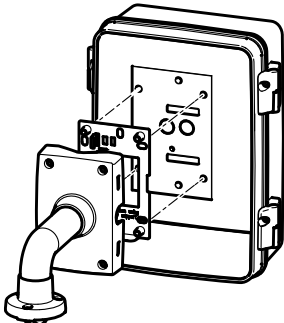
- Screw T30 (4x)
- Washer (4x)
- Cable gasket M20 (2x)

AXIS T98A16-VE Media Converter Cabinet A



- Screw T20 (4x)
- Washer (4x)
- Cable gasket M20 (3x)

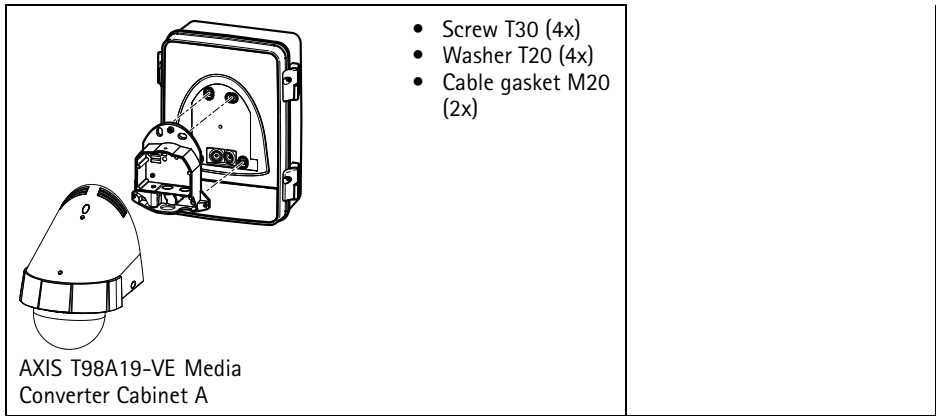
AXIS T98A17-VE Media Converter Cabinet A



- Screw T30 (6x)
- Washer (6x)
- Cable gasket M20 (2x)

AXIS T98A18-VE Media Converter Cabinet A

AXIS T98A-VE Media Converter Cabinet A Series



Media Converter LED Indicators

LED	Color	Indication
Power	Unlit	DC power unconnected or current protection engaged (power overload).
	Green	DC power connected.
Network (4x)	Amber	10 Mbit connection. Flashes during activity.
	Green	100/1000 Mbit connection. Flashes during activity.

Connectors and Buttons

For specifications and operating conditions, see *page 12*.

Network Connector

RJ45 Ethernet connector.

The unit can only use one Network interface, either an SFP module or RJ45 connector. SFP module has higher priority than the RJ45 connector.

Specifications

Operating Conditions

The Axis product is intended for outdoor use.

AXIS T98A-VE Media Converter Cabinet A Series

Product	Temperature	Humidity
AXIS T98A-VE Media Converter Cabinet A Series*	-40 °C to 65 °C (-40 °F to 149 °F)	10-100% RH (condensing)

* For variants using a midspan, see the technical specification for the current midspan.

Screw Torque Specification

Screw	Torque	
Secure cabinet base to mounting plate	3.0 Nm \pm 0.2	2.21 lb-ft \pm 0.15
Attach electrical safety cover to cabinet base	0.8 Nm \pm 0.1	0.59 lb-ft \pm 0.07
Attach cabinet door to cabinet base	3.5 Nm \pm 0.2	2.58 lb-ft \pm 0.15
Screws for attaching for example cable clamps and DIN rails inside the cabinet	0.8 Nm \pm 0.1	0.59 lb-ft \pm 0.07
Attach network camera bracket to AXIS T98A16-VE cabinet door	3.0 Nm \pm 0.2	2.21 lb-ft \pm 0.15
Attach network camera bracket to AXIS T98A17-VE cabinet door	1.2 Nm \pm 0.2	0.89 lb-ft \pm 0.15
Attach network camera bracket to AXIS T98A18-VE cabinet door	3.0 Nm \pm 0.2	2.21 lb-ft \pm 0.15
Attach network camera bracket to AXIS T98A19-VE cabinet door	3.0 Nm \pm 0.2	2.21 lb-ft \pm 0.15

Install the Hardware

NOTICE

- To avoid condensation, do not assemble or disassemble the product during rain.

AXIS T98A-VE Media Converter Cabinet A Series

Note

- The hinges have a stop that locks the cabinet door at 105°.
- For easy installation, the cabinet door can be removed while installing the cabinet base.

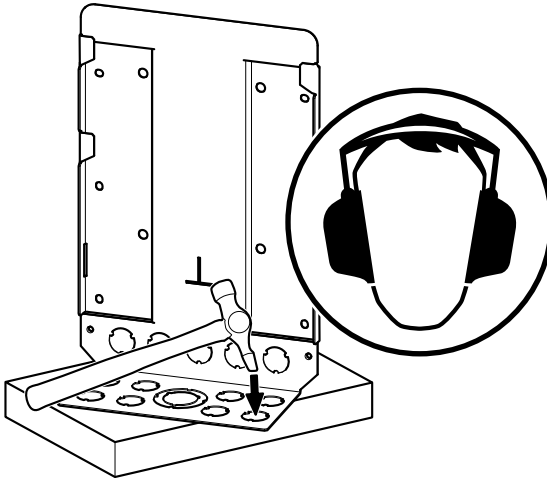
Install the Mounting Plate

Note

- For cables routed from below, use the bottom knock-outs. For cables routed from behind, use the rear knock-outs.
1. Install the mounting plate according to the instructions supplied with the mounting plate. If drilling is required, make sure to use drill bits, screws, and plugs appropriate for the material.

Remove the knock-outs in the following way:

2. Provide support for the mounting plate to make sure it remains flat and not bend when removing the knock-outs.
3. Strike the knock-out with a cross pein hammer until the knock-out pops out.



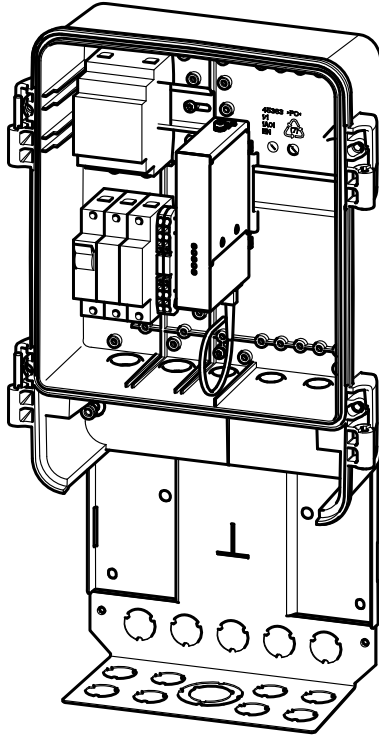
4. Mount the mounting plate on the wall or the selected bracket.

Install the Cabinet Base

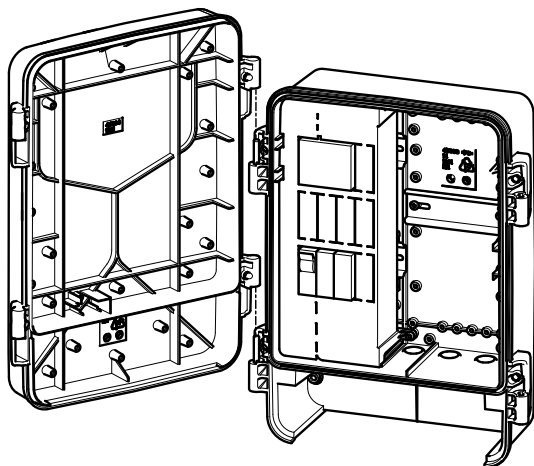
1. Open drill-outs or cut-outs for cables in the cabinet base. Markings indicate where these cable holes can be drilled or cut out.

AXIS T98A-VE Media Converter Cabinet A Series

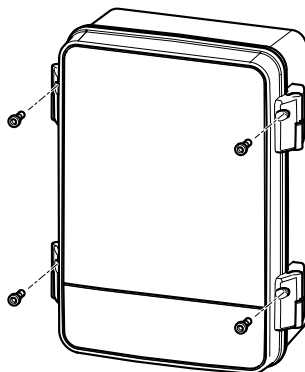
2. Install the media converter, see *Install the Media Converter on page 16*.
3. For variants using midspan: Install the midspan, see *Install the Midspan on page 17*.
4. Hang the cabinet base on the hooks of the mounting plate. Align the lower end of the cabinet with the alignment indicator for easy access while connecting the cables, see illustration below.



5. Connect the cables, see *Connect the Cables on page 17*.
6. Slide the cabinet base to the bottom position.
7. Secure the cabinet base to the mounting plate with the secure screws.
8. Move the hinge pins to the preferred side and hang the door on the hinges, see illustration below.



9. Install the network camera, see *Install the Network Camera* on page 21.
10. Fasten the cabinet door with the screws, see illustration below.



Install the Media Converter

See *Hardware Overview* on page 8 for locations of components.

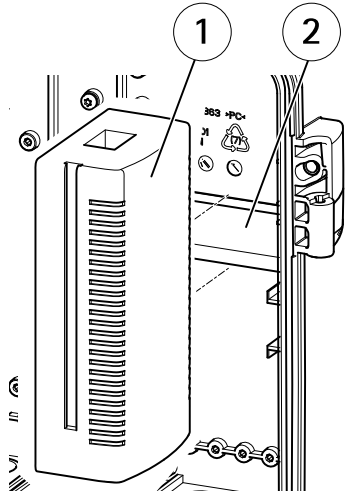
Attach the media converter to the DIN rail in the cabinet.

Install the Midspan

Note

This instruction is valid only for variants using midspan.

1. Attach the included DIN clip to the midspan. See midspan Installation Guide.
2. Attach the midspan to the DIN rail.



- 1 Midspan
- 2 DIN rail

Connect the Cables

⚠ DANGER

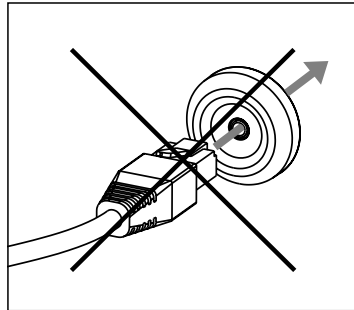
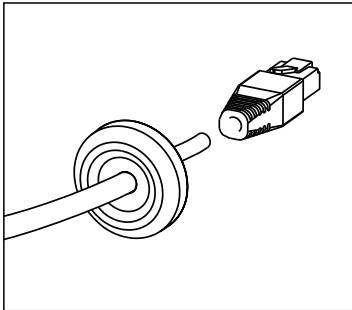
- The electrical connections and conduit installations shall be made by a certified electrician and in compliance with local regulations.
- Do not connect the power supply to the mains supply until the installation is complete.

AXIS T98A-VE Media Converter Cabinet A Series

NOTICE

- Cable gaskets shall be attached to all open cable holes in the cabinet base to maintain the product's IP rating. If the holes are not sealed, water may seep into the cabinet and cause damage to the devices inside.
- Cables routed through M20 gaskets shall have a diameter of 3.5 mm – 12.5 mm (0.14 in – 0.49 in).
- Cables routed through M25 gaskets shall have a diameter of 9.1 mm – 12.5 mm (0.36 in – 0.49 in).
- Signal and power cables shall always be separated within the cabinet.
- Do not force the connector into the gasket.
- Use the cable to pierce a hole in the gasket. Do not use a knife or other sharp object that can damage the gasket.

To prepare a cable with a gasket, gently push the cable through the gasket and attach the appropriate connector.



Connect the Power Cables

NOTICE

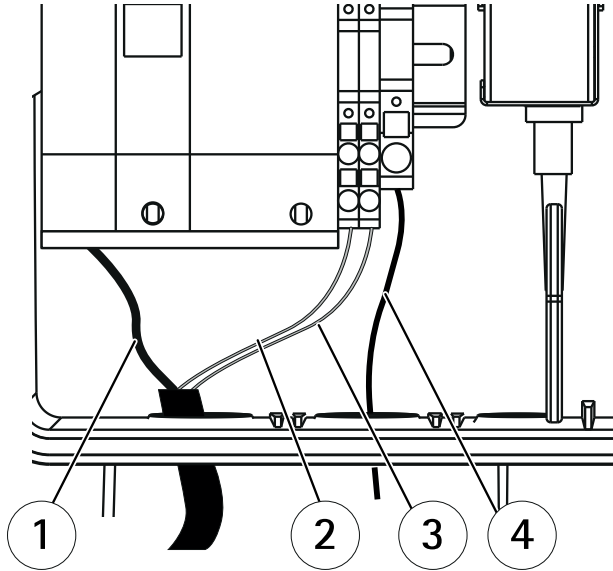
- This is a Permanently connected equipment. A readily accessible disconnect device shall be incorporated externally to the equipment.
- The disconnect device provided external to the equipment shall be a two-pole disconnect device, disconnecting both the line and neutral conductor.
- It is recommended to use an external protective bonding wire with a minimum area of 6 mm² (AWG 10) for indoor use and a minimum area of 10 mm² (AWG 8) for outdoor use.

For connection diagram, see *Connection Diagrams on page 25*.

1. Remove the electrical safety cover.

AXIS T98A-VE Media Converter Cabinet A Series

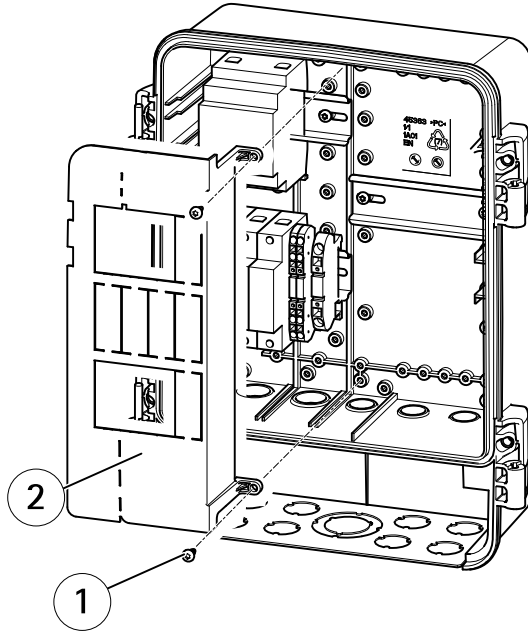
2. Route the cables required for the installation through conduits (not included), cable gaskets and cable holes.
3. Attach the cable gaskets to the cable holes.
4. Connect the three incoming mains voltage cables and the external protective bonding wire as shown in the illustration.



- 1 *Line*
- 2 *Neutral*
- 3 *Ground cable*
- 4 *External protective bonding wire*

5. Attach the electrical safety cover using the supplied screws (torque $0.8 \text{ Nm} \pm 0.1$).

AXIS T98A-VE Media Converter Cabinet A Series



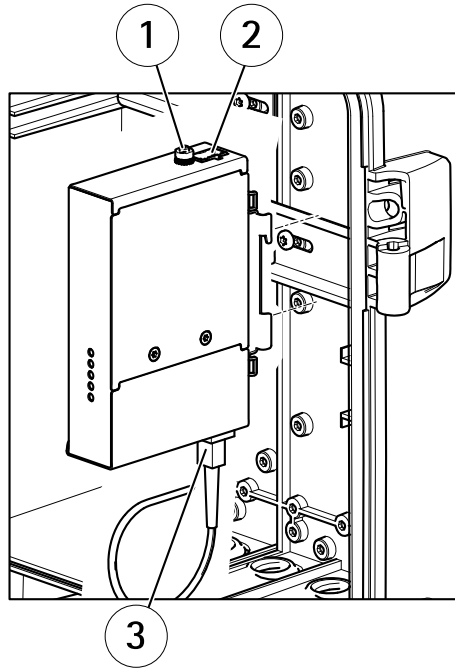
- 1 Screw T20 (2x)
- 2 Electrical safety cover

Connect the Media Converter Cables

Note

The media converter shall be connected using shielded network cables (STP) intended for their specific use. Make sure that the switch is properly grounded. See Electromagnetic Compatibility (EMC) for regulatory requirements.

1. Connect the ground cable to the ground screw.
2. Connect the network cables to the network connectors (RJ45, SFP) as required.
3. Connect the power cable to the power connector (DC input).



- 1 Ground screw
- 2 Power connector (DC input)
- 3 Network cable

Connect the Midspan Cables

Note

This instruction is valid only for variants using midspan.

1. Connect a network cable between the midspan (data in) and the media converter.
2. Connect the premounted power cable to the power connector.

Install the Network Camera

The network camera is sold separately.

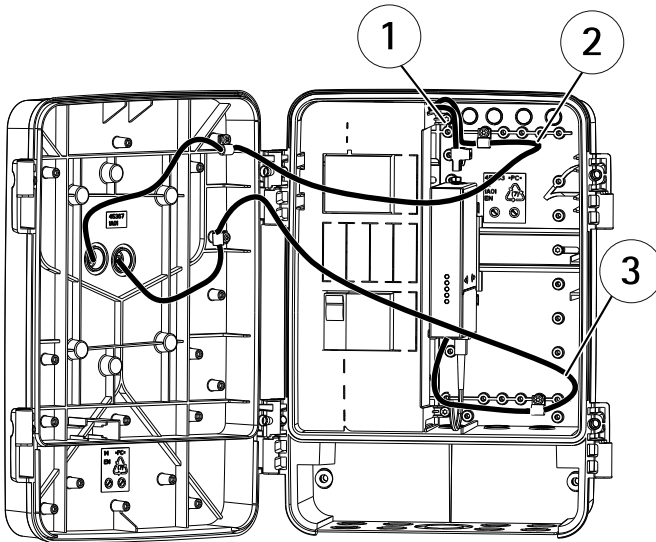
Note

When routing the cables, make sure the cable slack is long enough for the door to be fully opened.

AXIS T98A-VE Media Converter Cabinet A Series

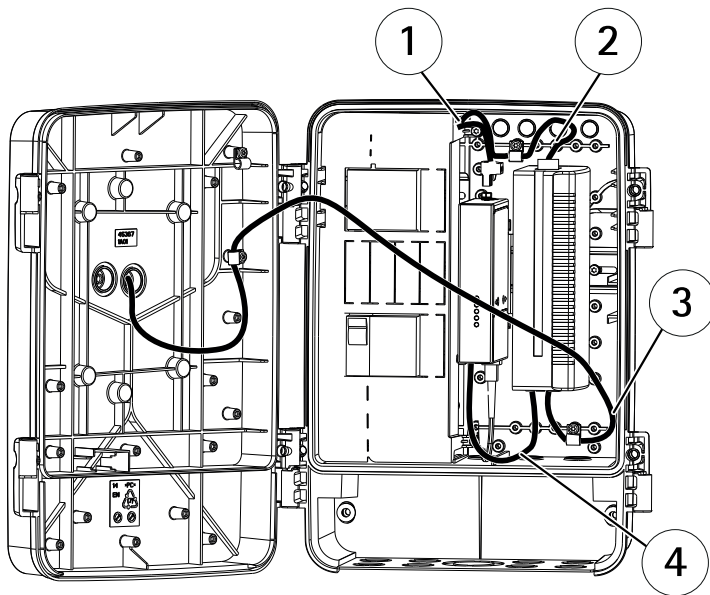
See illustrations below for cable routing.

1. Route the network and power cables through the cabinet door and the camera bracket.
2. For variants using midspan: Connect the midspan (data and power out connection) to the camera using the network cable that has been connected to the camera.
3. Connect the power cable from the media converter cabinet to the camera.
4. Connect the network cable from the media converter to the camera.
5. If available, use the safety wire delivered with the mounting bracket to prevent the camera from falling.
6. Attach the camera to the cabinet door or, if applicable, to the camera bracket. See *Screw Torque Specification on page 13*.



AXIS T98A-VE Media Converter Cabinets

- 1 Power cable to media converter
- 2 Power cable to camera
- 3 Network cable



Cabinet variant using optional midspan

- 1 Power cable to media converter.
- 2 Power cable to midspan
- 3 Network cable to camera
- 4 Network cable between midspan and media converter

Technical Specifications

<p>Models</p>	<p>AXIS T98A15-VE MEDIA CONVERTER CABINET A 120 V AC AXIS T98A16-VE MEDIA CONVERTER CABINET A 120 V AC AXIS T98A17-VE MEDIA CONVERTER CABINET A 120 V AC AXIS T98A18-VE MEDIA CONVERTER CABINET A 120 V AC AXIS T98A19-VE MEDIA CONVERTER CABINET A 120 V AC AXIS T98A15-VE MEDIA CONVERTER CABINET A 230 V AC AXIS T98A16-VE MEDIA CONVERTER CABINET A 230 V AC AXIS T98A17-VE MEDIA CONVERTER CABINET A 230 V AC AXIS T98A18-VE MEDIA CONVERTER CABINET A 230 V AC AXIS T98A19-VE MEDIA CONVERTER CABINET A 230 V AC</p>
<p>Power</p>	<p>Input (120 V AC): 90-175 V AC, max 4 A Input (230 V AC): 90-264 V AC, max 4 A Output AXIS T98A15-VE, AXIS T98A16-VE, AXIS T98A17-VE: 12 V DC, 20 W</p>

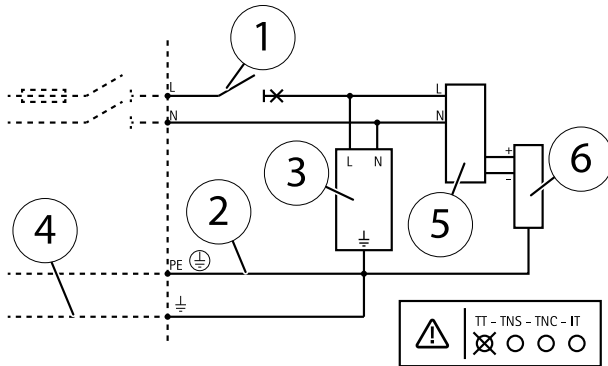
AXIS T98A-VE Media Converter Cabinet A Series

	Output AXIS T98A18-VE, AXIS T98A19-VE: equals input voltage, max 4 A
Connectors	2x RJ45 connectors (10/100 Mbps) 2x SFP connectors (100/1000 Mbps) for SFP fiber optic modules or SFP to copper modules
Casing	Polycarbonate cabinet and stainless steel mounting plate Color: White NCS 1002-B and stainless steel
Display and indicators	LED indicators
Environment	Outdoor
Approvals	<p>AXIS T98A-VE Series 230 V:: EN 55022 Class A EN 55024 EN 61000-3-2 EN 61000-3-3 EN 61000-6-1 EN 61000-6-2 C-Tick AS/NZS CISPR 22 Class A</p> <p>AXIS T98A-VE Series 120 V:: FCC Part 15 Subpart B Class A VCCI Class A ICES-003 Class A CISPR22 Class A</p> <p>AXIS T98A15-VE/T98A16-VE/T98A17-VE: IEC 60068-2-6 Vibration 4M4 IEC 60068-2-27 Shock 4M4</p> <p>AXIS T98A18-VE/T98A19-VE: IEC 60068-2-6 Vibration 4M3 IEC 60068-2-27 Shock 4M3</p> <p>Valid for all: EN 50121-4 IEC 62236-4 EN 50581 (RoHS) IEC/EN 60529 IP66 NEMA 250 Type 4X IEC/EN 62262 IK10 REACH WEEE CE</p>
Operating conditions	-40 °C to 65°C (-40 °F to 149 °F) 10–100% RH (condensing) For AXIS T98A18-VE Media Converter Cabinet operating conditions, see the technical specification for AXIS T8124 Midspan.

AXIS T98A-VE Media Converter Cabinet A Series

Dimensions (HxWxL)	361 x 282 x 131 mm (14.2 x 11.1 x 5.2 in)
Weight	4.4 kg (9.7 lb)
Included accessories	Installation guide Pre-mounted cable gaskets Pre-mounted DIN rails Cable clamps Electrical safety cover Pre-mounted MCB fuse Pre-mounted surge protection Pre-mounted 12 V DC power supply Media converter For variants using midspan: DIN clip for midspan
Optional accessories	AXIS T98A Sunshield A AXIS Door Switch AXIS T95A64 Bracket Corner AXIS T95A67 Bracket Pole AXIS Cabinet Lock A

Connection Diagrams



- 1 Circuit breaker/Fuse 4 A
- 2 Incoming mains voltage
- 3 Surge protector 230 V AC or 120 V AC
- 4 External protective bonding wire
- 5 Power supply unit
- 6 Media converter

AXIS T98A-VE Media Converter Cabinet A Series

Further Information

Visit Axis learning center www.axis.com/academy for useful trainings, webinars, tutorials and guides.

Warranty Information

For information about Axis' product warranty and thereto related information, see www.axis.com/warranty/

Informations sur la sécurité

Lisez attentivement ce guide d'installation avant d'installer l'appareil. Conservez le guide d'installation pour toute référence ultérieure.

Niveaux de risques

▲DANGER

Indique une situation dangereuse qui, si elle n'est pas évitée, entraînera le décès ou des blessures graves.

▲AVERTISSEMENT

Indique une situation dangereuse qui, si elle n'est pas évitée, pourrait entraîner le décès ou des blessures graves.

▲ATTENTION

Indique une situation dangereuse qui, si elle n'est pas évitée, pourrait entraîner des blessures légères ou modérées.

AVIS

Indique une situation qui, si elle n'est pas évitée, pourrait endommager l'appareil.

Autres niveaux de message

Important

Indique les informations importantes, nécessaires pour assurer le bon fonctionnement de l'appareil.

Note

Indique les informations utiles qui permettront d'obtenir le fonctionnement optimal de l'appareil.

Consignes de sécurité

▲ AVERTISSEMENT

- Le produit Axis doit être installé par un professionnel habilité.

AVIS

- Le produit Axis doit être utilisé conformément aux lois et réglementations locales en vigueur.
- Conserver ce produit Axis dans un environnement sec et ventilé.
- Ne pas exposer ce produit Axis aux chocs ou aux fortes pressions.
- Ne pas installer ce produit sur des supports, surfaces ou murs instables.
- Utiliser uniquement des outils recommandés pour l'installation de l'appareil Axis. L'application d'une force excessive sur l'appareil avec des outils puissants pourrait l'endommager.
- Utiliser uniquement des accessoires conformes aux caractéristiques techniques du produit. Ils peuvent être fournis par Axis ou un tiers.
- Utiliser uniquement les pièces de rechange fournies ou recommandées par Axis.
- Ne pas essayer de réparer ce produit par vous-même. Contacter l'assistance technique d'Axis ou votre revendeur Axis pour des problèmes liés à l'entretien.

Transport

AVIS

- Lors du transport du produit Axis, utilisez l'emballage d'origine ou un équivalent pour éviter d'endommager le produit.

Guide d'installation

Ce guide d'installation vous explique comment installer la série d'armoires A de convertisseur de média AXIS T98A.

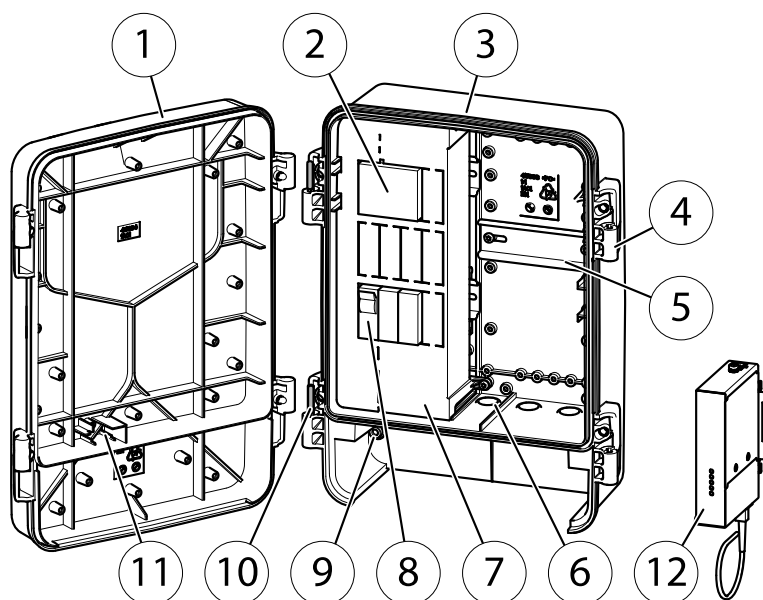
Procédures d'installation

1. Assurez-vous que les outils et autres matériels nécessaires à l'installation sont inclus dans l'emballage. Cf. *page 29*.
2. Consultez la description du matériel. Cf. *page 30*.
3. Étudiez les caractéristiques. Cf. *Caractéristiques techniques page 34*.
4. Installez le matériel. Cf. *page 35*.

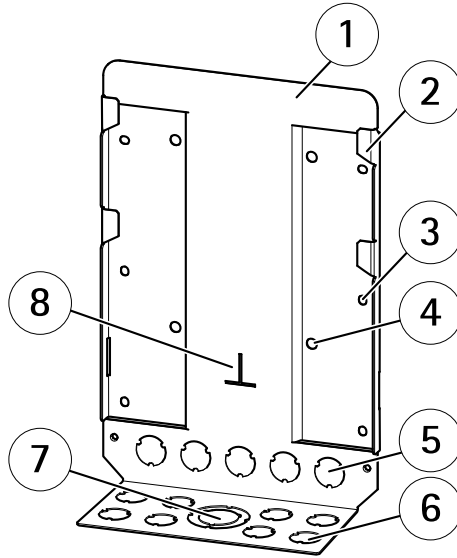
Contenu de l'emballage

- Armoire de surveillance
 - Armoire A de convertisseur de média AXIS T98A15-VE
 - Armoire A de convertisseur de média AXIS T98A16-VE
 - Armoire A de convertisseur de média AXIS T98A17-VE
 - Armoire A de convertisseur de média AXIS T98A18-VE
 - Armoire A de convertisseur de média AXIS T98A19-VE
- Guide d'installation (ce document)
- Pincés de câbles
- Couvercle de sécurité électrique
- Convertisseur de média
- Clip DIN pour injecteur en option (valable uniquement pour les versions utilisant un injecteur)
- Accessoires en option (voir *Caractéristiques techniques*)

Aperçu du matériel



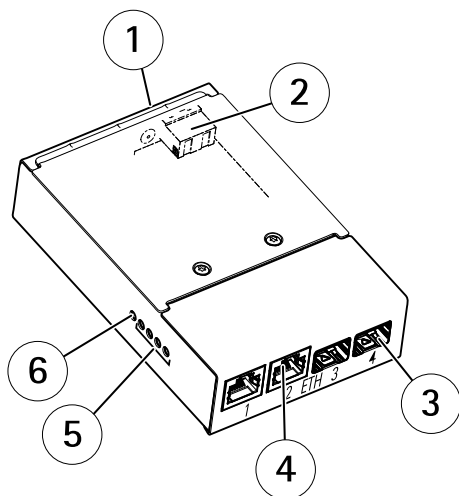
- 1 Porte de l'armoire
- 2 Alimentation
- 3 Armoire
- 4 Charnières (x2 côté gauche, x2 côté droit)
- 5 Rail DIN
- 6 Trou de câble et joint : M25 (3/4"), M20 (1/2") (x3)
- 7 Couvercle de sécurité électrique
- 8 Kit de sécurité électrique
- 9 Vis de fixation (x2)
- 10 Axes de charnières (x2)
- 11 Trou pour interrupteur de porte
- 12 Convertisseur de média



Plaque de montage

- 1 Plaque de montage
- 2 Crochet
- 3 Trou de vis pour montage mural $\varnothing 6,55$ mm (0,26") (x6)
- 4 Trou de vis pour fixation $\varnothing 8,55$ mm (0,35") (x4)
- 5 Point de connexion M25 (3/4") (x5)
- 6 Point de connexion M25 (3/4") (x8)
- 7 Point de connexion M50 (1 1/2") ; M25 (3/4")
- 8 Témoin d'alignement

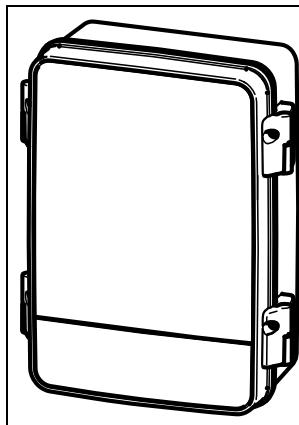
AXIS T98A-VE Media Converter Cabinet A Series



Convertisseur de média AXIS T8604

- 1 Vis de mise à la terre
- 2 Connecteur d'alimentation (entrée CC)
- 3 Connecteurs réseau SFP
- 4 Connecteurs réseau RJ45
- 5 Voyants DEL réseau
- 6 Voyant DEL d'alimentation

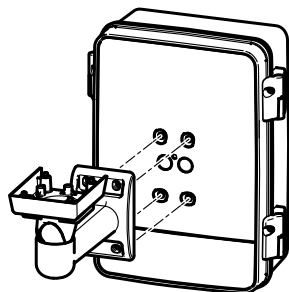
Vue d'ensemble de l'interface



Inclus dans toutes les variantes :

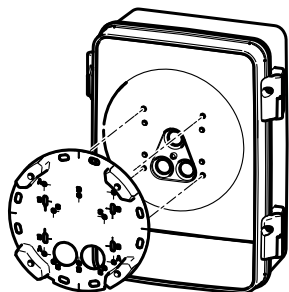
- Pince de câbles (x1)
- Pince de câbles (x5)
- Pince de câbles (x2)
- Vis (x6)
- Vis (x2)

Armoire A de convertisseur de média AXIS T98A15-VE



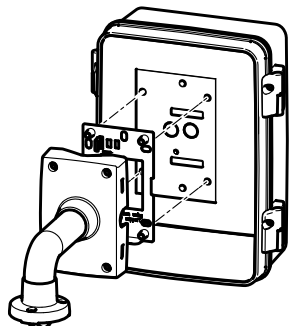
- Vis T30 (x4)
- Rondelle (x4)
- Joint de câble M20 (x2)

Armoire A de convertisseur de média AXIS T98A16-VE



- Vis T20 (x4)
- Rondelle (x4)
- Joint de câble M20 (x3)

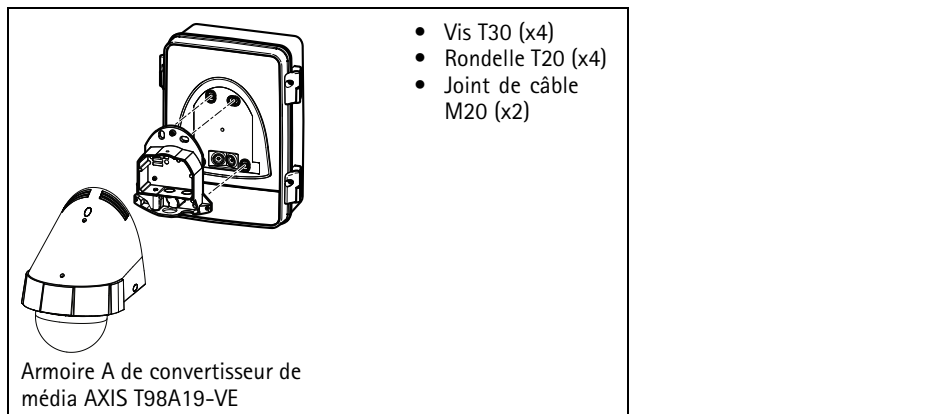
Armoire A de convertisseur de média AXIS T98A17-VE



- Vis T30 (x6)
- Rondelle (x6)
- Joint de câble M20 (x2)

Armoire A de convertisseur de média AXIS T98A18-VE

AXIS T98A-VE Media Converter Cabinet A Series



Voyants du convertisseur de média

Voyant DEL	Couleur	Indication
Alimentation	Éteint	Alimentation CC déconnectée ou dispositif de protection ampère-métrique activé (surcharge).
	Vert	Alimentation CC connectée.
Réseau (x4)	Orange	Connexion 10 Mbit. Clignote pendant l'activité.
	Vert	Connexion 100/1 000 Mbit. Clignote pendant l'activité.

Connecteurs et boutons

Pour les caractéristiques et les conditions d'utilisation, consultez *page 34*.

Connecteur réseau

Connecteur Ethernet RJ45.

L'appareil ne peut utiliser qu'une seule interface réseau : un module SFP ou un connecteur RJ45. Le module SFP a une priorité plus élevée que le connecteur RJ45.

Caractéristiques techniques

Conditions d'utilisation

L'appareil Axis est uniquement destiné à une utilisation en extérieur.

Produit	Température	Humidité
Série d'armoires A de convertisseur de média AXIS T98A-VE*	De - 40 °C à 65 °C (- 40 °F à 149 °F)	Humidité relative 10 - 100 % (condensation)

* Pour les versions utilisant un injecteur, consultez les spécifications techniques de l'injecteur.

Spécifications relatives aux couples de serrage des vis

Vis	Couple de serrage	
Fixation de l'armoire à la plaque de montage	3,0 Nm \pm 0,2	2,21 lb-pi \pm 0,15
Fixation du couvercle de sécurité électrique à l'armoire	0,8 Nm \pm 0,1	0,59 lb-pi \pm 0,07
Fixation de la porte de l'armoire à l'armoire	3,5 Nm \pm 0,2	2,58 lb-pi \pm 0,15
Vis pour fixer par exemple les pinces de câbles et les rails DIN à l'intérieur de l'armoire	0,8 Nm \pm 0,1	0,59 lb-pi \pm 0,07
Fixation du support de la caméra réseau à la porte de l'armoire AXIS T98A16-VE	3,0 Nm \pm 0,2	2,21 lb-pi \pm 0,15
Fixation du support de la caméra réseau à la porte de l'armoire AXIS T98A17-VE	1,2 Nm \pm 0,2	0,89 lb-pi \pm 0,15
Fixation du support de la caméra réseau à la porte de l'armoire AXIS T98A18-VE	3,0 Nm \pm 0,2	2,21 lb-pi \pm 0,15
Fixation du support de la caméra réseau à la porte de l'armoire AXIS T98A19-VE	3,0 Nm \pm 0,2	2,21 lb-pi \pm 0,15

Installation du matériel

AVIS

- Afin d'éviter la condensation, n'installez et ne déinstallez pas le produit sous la pluie.

AXIS T98A-VE Media Converter Cabinet A Series

Note

- Les charnières sont équipées d'une butée qui bloque la porte de l'armoire à 105°.
- Pour faciliter l'installation, il est possible de retirer la porte de l'armoire lors de l'installation de l'armoire.

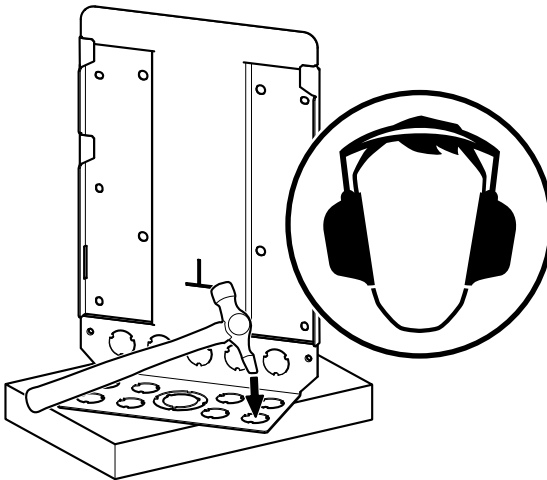
Installation de la plaque de montage

Note

- Pour les câbles acheminés par le bas, utilisez les points de connexion inférieurs. Pour les câbles acheminés par l'arrière, utilisez les points de connexion arrière.
1. Installez la plaque de montage conformément aux instructions fournies avec la plaque de montage. S'il s'avère nécessaire de percer, vérifiez que les forets, vis et chevilles sont appropriés au matériau.

Retirez les points de connexion comme suit :

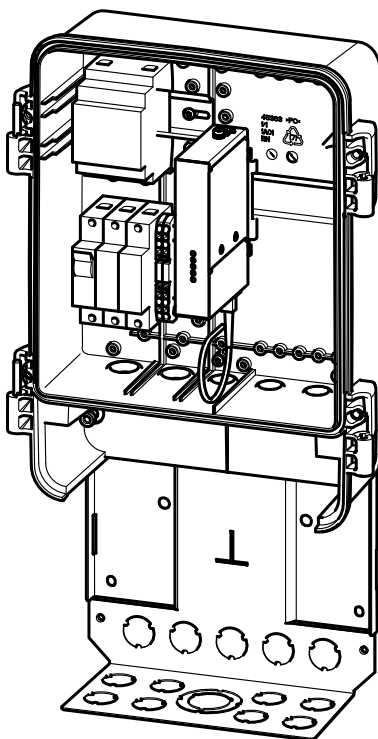
2. Soutenez la plaque de montage, pour être sûr qu'elle reste à plat et qu'elle ne se plie pas lors du retrait des points de connexion.
3. Frappez les points de connexion à l'aide d'un marteau à panne en travers jusqu'à ce qu'ils sortent.



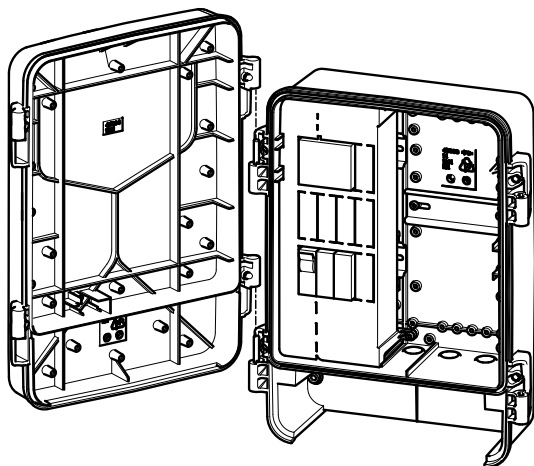
4. Montez la plaque de montage au mur ou sur le support sélectionné.

Installation de l'armoire

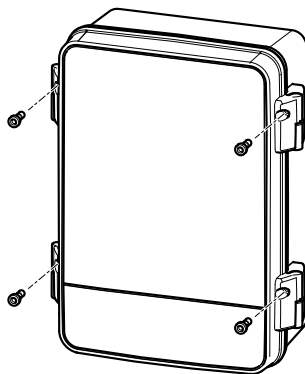
1. Ouvrez les perforations ou les découpes pour câbles de l'armoire. Les repères indiquent les emplacements de perçage ou de découpe de ces trous de câble.
2. Pour installer le convertisseur de média, consultez *Installation du convertisseur de média page 38*.
3. Pour les versions utilisant un injecteur : pour installer l'injecteur, consultez *Installation de l'injecteur page 39*.
4. Accrochez l'armoire aux crochets de la plaque de montage. Alignez l'extrémité inférieure de l'armoire sur le témoin d'alignement pour faciliter l'accès lors du branchement des câbles, comme illustré ci-dessous.



5. Pour brancher les câbles, consultez *Branchement des câbles page 39*.
6. Faites glisser l'armoire en position inférieure.
7. Fixez l'armoire à la plaque de montage à l'aide de vis de fixation.
8. Déplacez les gonds du côté préféré et accrochez la porte aux charnières, comme illustré ci-dessous.



9. Pour installer la caméra réseau, consultez *Installation de la caméra réseau* page 43.
10. Fixez la porte de l'armoire à l'aide des vis, comme illustré ci-dessous.



Installation du convertisseur de média

Pour connaître l'emplacement des composants, consultez *Aperçu du matériel* page 30.

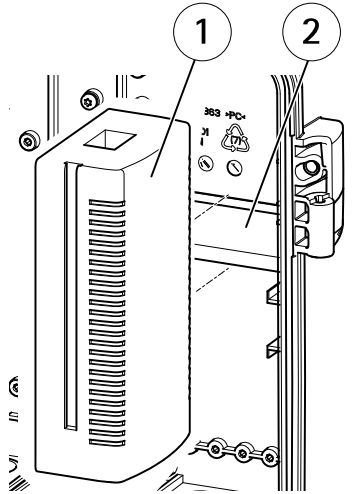
Fixez le convertisseur de média au rail DIN à l'intérieur de l'armoire.

Installation de l'injecteur

Note

Ces instructions sont valables uniquement pour les versions utilisant un injecteur.

1. Fixez le clip DIN inclus à l'injecteur. Cf. le Guide d'installation de l'injecteur.
2. Fixez l'injecteur au rail DIN.



- 1 *Injecteur*
2 *Rail DIN*

Branchement des câbles

⚠ DANGER

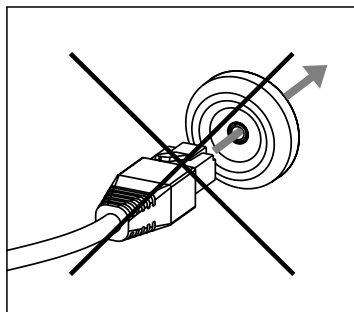
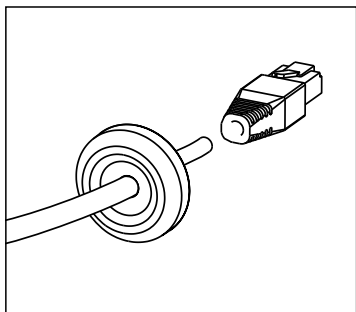
- Les branchements électriques et les installations de conduits doivent être réalisés par un électricien certifié et conformément à la réglementation locale.
- Ne raccordez pas l'alimentation électrique à l'alimentation secteur tant que l'installation n'est pas terminée.

AXIS T98A-VE Media Converter Cabinet A Series

AVIS

- Pour maintenir la classification IP du produit, les joints de câble doivent être fixés à tous les trous de câble ouverts de l'armoire. Si les trous ne sont pas scellés, de l'eau risque de s'infiltrer dans l'armoire et d'endommager les dispositifs qu'elle contient.
- Le diamètre des câbles acheminés à travers les joints M20 doit être de 3,5 mm – 12,5 mm (0,14" – 0,49").
- Le diamètre des câbles acheminés à travers les joints M25 doit être de 9,1 mm – 12,5 mm (0,36" – 0,49").
- Les câbles de signal et d'alimentation doivent toujours être séparés dans l'armoire.
- Ne forcez pas l'entrée du connecteur dans le joint.
- Utilisez le câble pour percer un trou dans le joint. N'utilisez pas de couteau ni aucun autre objet tranchant risquant d'endommager le joint.

Pour effectuer le passage d'un câble dans un joint, poussez délicatement le câble à travers le joint et fixez-y le connecteur approprié.



Branchement des câbles d'alimentation

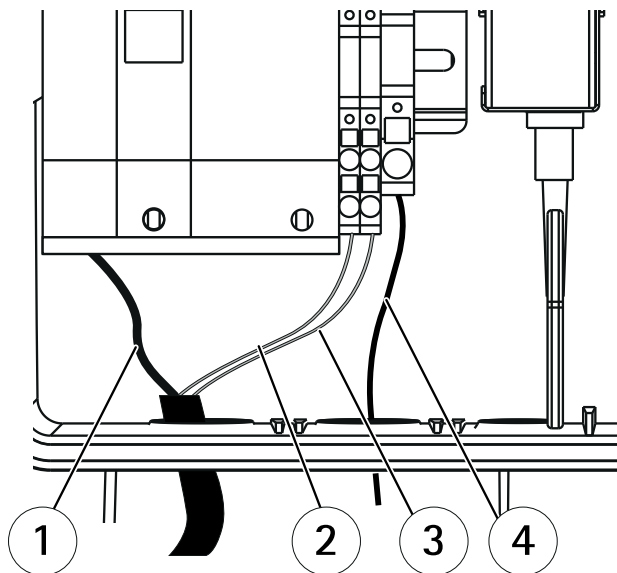
AVIS

- Il s'agit d'un équipement connecté en permanence. Un dispositif de déconnexion accessible aisément doit être intégré à l'extérieur de l'équipement.
- Le dispositif de déconnexion fourni à l'extérieur de l'équipement doit être de type bipolaire pour pouvoir déconnecter le conducteur de ligne et le conducteur neutre.
- Il est recommandé d'utiliser un fil de connexion protecteur externe avec une section minimale de 6 mm² (AWG 10) pour une utilisation en intérieur et une section minimale de 10 mm² (AWG 8) pour une utilisation en extérieur.

Pour le schéma de connexion, consultez *Schémas de connexion* page 48.

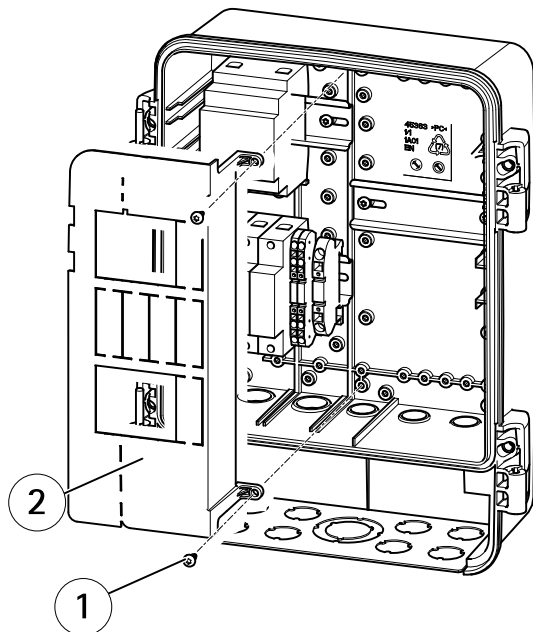
AXIS T98A-VE Media Converter Cabinet A Series

1. Retirez le couvercle de sécurité électrique.
2. Acheminez les câbles nécessaires à l'installation via les conduits (non inclus), joints de câble et trous de câble.
3. Fixez les joints de câble aux trous de câble.
4. Branchez les trois câbles de tension secteur d'entrée et le câble de connexion protecteur externe, comme indiqué sur l'illustration.



- 1 *Ligne*
- 2 *Neutre*
- 3 *Câble de mise à la masse*
- 4 *Fil de connexion protecteur externe*

5. Fixez le couvercle de sécurité électrique à l'aide des vis fournies (à un couple de serrage de 0,8 Nm \pm 0,1).



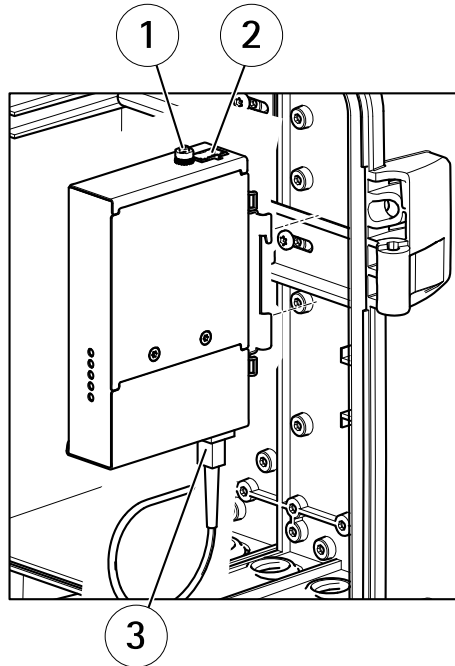
- 1 Vis T20 (x2)
- 2 Couvercle de sécurité électrique

Branchement des câbles du convertisseur de média

Note

Le convertisseur de média doit être branché au réseau à l'aide de câbles blindés (STP) prévus à cet effet. Assurez-vous que le commutateur est convenablement mis à la terre. Pour consulter les réglementations correspondantes, reportez-vous à la section Compatibilité électromagnétique.

1. Reliez le câble de mise à la terre à la vis de mise à la terre.
2. Connectez les câbles réseau aux connecteurs réseau (RJ45, SFP), tel qu'exigé.
3. Connectez le câble d'alimentation au connecteur d'alimentation (DC input).



- 1 Vis de mise à la terre
- 2 Connecteur d'alimentation (entrée CC)
- 3 Câble réseau

Branchement des câbles de l'injecteur

Note

Ces instructions sont valables uniquement pour les versions utilisant un injecteur.

1. Branchez un câble réseau entre l'injecteur (Données d'entrée) et le convertisseur de média.
2. Connectez le câble d'alimentation préinstallé au connecteur d'alimentation.

Installation de la caméra réseau

La caméra réseau est vendue séparément.

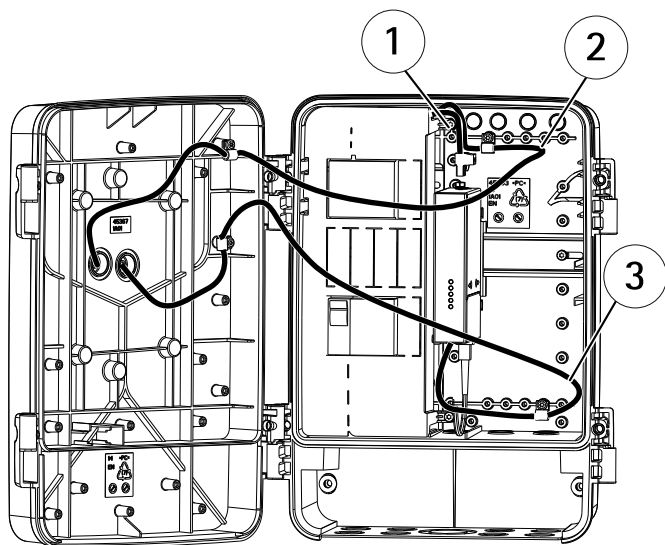
Note

Lors de l'acheminement des câbles, assurez-vous que la longueur des câbles est suffisante pour que la porte puisse être entièrement ouverte.

AXIS T98A-VE Media Converter Cabinet A Series

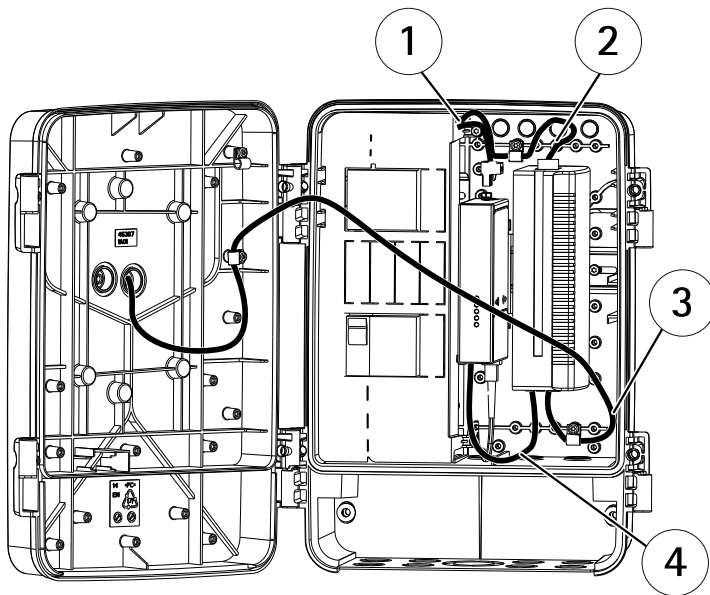
Reportez-vous aux illustrations ci-dessous pour l'acheminement des câbles.

1. Passez les câble réseau et d'alimentation à travers la porte de l'armoire et le support de caméra.
2. Pour les versions utilisant un injecteur : connectez l'injecteur (connexion de sortie des données et de l'alimentation) à la caméra via le câble réseau qui a été branché à la caméra.
3. Connectez le câble d'alimentation de l'armoire du convertisseur de média à la caméra.
4. Connectez le câble réseau du convertisseur de média à la caméra.
5. Si disponible, utilisez le fil de sécurité fourni avec le support de montage pour empêcher la caméra de tomber.
6. Fixez la caméra à la porte de l'armoire ou, le cas échéant, au support de caméra. Cf. *Spécifications relatives aux couples de serrage des vis page 35.*



Armoires de convertisseur de média AXIS T98A-VE

- 1 Câble d'alimentation vers le convertisseur de média
- 2 Câble d'alimentation vers la caméra
- 3 Câble réseau



Version d'armoire utilisant un injecteur en option

- 1 Câble d'alimentation vers le convertisseur de média.
- 2 Câble d'alimentation vers l'injecteur
- 3 Câble réseau vers la caméra
- 4 Câble réseau entre l'injecteur et le convertisseur de média

Caractéristiques techniques

Modèles	
	ARMOIRE A DE CONVERTISSEUR DE MEDIA AXIS T98A15-VE, 120 V CA
	ARMOIRE A DE CONVERTISSEUR DE MEDIA AXIS T98A16-VE, 120 V CA
	ARMOIRE A DE CONVERTISSEUR DE MEDIA AXIS T98A17-VE, 120 V CA
	ARMOIRE A DE CONVERTISSEUR DE MEDIA AXIS T98A18-VE, 120 V CA
	ARMOIRE A DE CONVERTISSEUR DE MEDIA AXIS T98A19-VE, 120 V CA
	ARMOIRE A DE CONVERTISSEUR DE MEDIA AXIS T98A15-VE, 230 V CA
	ARMOIRE A DE CONVERTISSEUR DE MEDIA AXIS T98A16-VE, 230 V CA

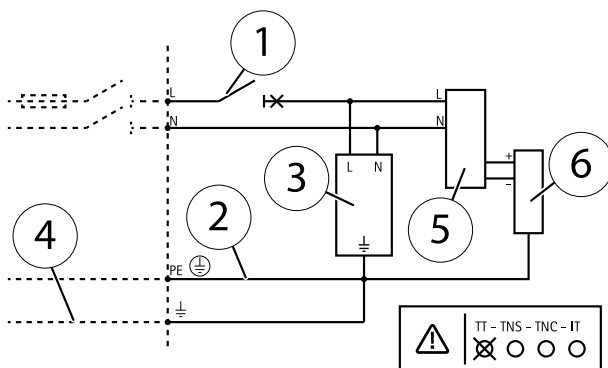
AXIS T98A-VE Media Converter Cabinet A Series

	<p>ARMOIRE A DE CONVERTISSEUR DE MEDIA AXIS T98A17-VE, 230 V CA</p> <p>ARMOIRE A DE CONVERTISSEUR DE MEDIA AXIS T98A18-VE, 230 V CA</p> <p>ARMOIRE A DE CONVERTISSEUR DE MEDIA AXIS T98A19-VE, 230 V CA</p>
Alimentation	<p>Entrée (120 V CA) : 90-175 V CA, maxi. 4 A</p> <p>Entrée (230 V CA) : 90-264 V CA, maxi. 4 A</p> <p>Sortie AXIS T98A15-VE, AXIS T98A16-VE, AXIS T98A17-VE : 12 V CC, 20 W</p> <p>Sortie AXIS T98A18-VE, AXIS T98A19-VE : égale à la tension d'entrée, maxi. 4 A</p>
Connecteurs	<p>2x connecteurs RJ45 (10/100 Mbit/s)</p> <p>2x connecteurs SFP (100/1 000 Mbit/s)</p> <p>pour les modules en fibre optique SFP ou les modules en cuivre SFP</p>
Boîtier	<p>Armoire en polycarbonate et plaque de montage en acier inoxydable</p> <p>Couleur : Blanc NCS 1002-B et acier inoxydable</p>
Écran et indicateurs	Voyants
Environnement	Extérieur
Agréments	<p>Série AXIS T98A-VE 230 V ::</p> <p>EN 55022 Classe A</p> <p>EN 55024</p> <p>EN 61000-3-2</p> <p>EN 61000-3-3</p> <p>EN 61000-6-1</p> <p>EN 61000-6-2</p> <p>C-Tick AS/NZS CISPR 22 Classe A</p> <p>Série AXIS T98A-VE 120 V ::</p> <p>FCC partie 15 - sous-partie B, Classe A</p> <p>VCCI Classe A</p> <p>ICES-003 Classe A</p> <p>CISPR22 Classe A</p> <p>AXIS T98A15-VE/T98A16-VE/T98A17-VE :</p> <p>IEC 60068-2-6 - Vibration, 4M4</p> <p>IEC 60068-2-27 - Choc, 4M4</p> <p>AXIS T98A18-VE/T98A19-VE :</p> <p>IEC 60068-2-6 - Vibration, 4M3</p> <p>IEC 60068-2-27 - Choc, 4M3</p> <p>Valide pour tous :</p> <p>EN 50121-4</p> <p>IEC 62236-4</p> <p>EN 50581 (RoHS)</p>

AXIS T98A-VE Media Converter Cabinet A Series

	<p>IEC/EN 60529 IP66 NEMA 250 Type 4X IEC/EN 62262 IK10 REACH WEEE CE</p>
Conditions d'utilisation	<p>De -40 °C à 65 °C (-40 °F à 149 °F) Humidité relative 10 – 100 % (condensation) Pour connaître les conditions d'utilisation de l'armoire du convertisseur de média AXIS T98A18-VE, reportez-vous aux spécifications techniques de l'injecteur AXIS T8124.</p>
Dimensions (H x l x L)	<p>361 x 282 x 131 mm (14,2 x 11,1 x 5,2 po.)</p>
Poids	<p>4,4 kg (9,7 lb)</p>
Accessoires fournis	<p>Guide d'installation Joints de câbles prémontés Rails DIN prémontés Pinces de câbles Couverture de sécurité électrique Fusible MCB prémonté Protection contre les surcharges prémontée Alimentation électrique 12 V CC prémontée Convertisseur de média Pour les versions utilisant un injecteur : Clip DIN pour injecteur</p>
Accessoires en option	<p>Pare-soleil A AXIS T98A Interrupteur de porte AXIS Support d'angle AXIS T95A64 Support de montage sur poteau AXIS T95A67 Verrou A d'armoire AXIS</p>

Schémas de connexion



- 1 Sectionneur/Fusible 4 A
- 2 Tension secteur d'entrée
- 3 Protection contre les surtensions de 230 V CA ou 120 V CA
- 4 Fil de connexion protecteur externe
- 5 Unité d'alimentation
- 6 Convertisseur de média

Pour obtenir plus de renseignements

Visitez le centre de formation en ligne Axis sur le site www.axis.com/academy pour en savoir plus sur les formations, les webinaires, les tutoriels et les guides.

Informations sur la garantie

Pour obtenir de plus amples informations sur la garantie du produit AXIS et des renseignements connexes, allez sur le site www.axis.com/warranty/

Sicherheitsinformation

Lesen Sie das Installationshandbuch sorgfältig durch bevor sie das Produkt installieren. Bewahren Sie das Installationshandbuch für zukünftige Zwecke auf.

Gefährdungsstufen

▲GEFAHR

Weist auf eine gefährliche Situation hin, die, falls nicht verhindert, zu Tod oder schweren Verletzungen führt.

▲WARNUNG

Weist auf eine gefährliche Situation hin, welche, falls nicht verhindert, zu Tod oder schweren Verletzungen führen kann.

▲VORSICHT

Weist auf eine gefährliche Situation hin, welche, falls nicht verhindert, zu geringfügiger oder mäßiger Verletzung führen kann.

HINWEIS

Weist auf eine gefährliche Situation hin, welche, falls nicht verhindert, zu Sachschäden führen kann.

Weitere Nachrichtenstufen

Wichtig

Weist auf wichtige Informationen hin, die den richtigen Betrieb des Produkts gewährleisten.

Beachten

Weist auf nützliche Informationen hin, die die optimale Verwendung des Produkts unterstützen.

Sicherheitsanweisungen

▲WARNUNG

- Das Axis Produkt muss von fachmännischem Personal installiert werden.

HINWEIS

- Die Anwendung des Axis Produkts muss unter Beachtung der örtlich geltenden rechtlichen Bestimmungen erfolgen.
- Lagern Sie das Axis Produkt in einer trockenen und belüfteten Umgebung.
- Achten Sie darauf, dass das Axis Produkt weder Stößen noch starkem Druck ausgesetzt ist.
- Installieren Sie das Produkt nicht an instabilen Halterungen, Oberflächen oder Wänden.
- Verwenden Sie bei der Installation des Axis Produkts ausschließlich passende Werkzeuge. Ein zu großer Kraftaufwand mit elektrischen Werkzeugen kann das Produkt beschädigen.
- Verwenden Sie nur Zubehör, das den technischen Daten des Produkts entspricht. Dieses ist von Axis oder Drittanbietern erhältlich.
- Verwenden Sie ausschließlich Ersatzteile die von Axis bereitgestellt oder empfohlen werden.
- Versuchen Sie nicht, das Produkt selbstständig zu reparieren. Wenden Sie sich bezüglich Reparatur und Wartung an den Axis Support oder Ihren Axis Händler.

Transport

HINWEIS

- Bei Bedarf transportieren Sie das Axis Produkt in der Originalverpackung oder einer entsprechenden Verpackung, so dass Schäden vermieden werden.

Installationsanleitung

In dieser Anleitung wird die Installation des AXIS T98A Medien-Konverter-Schranks der Serie A beschrieben.

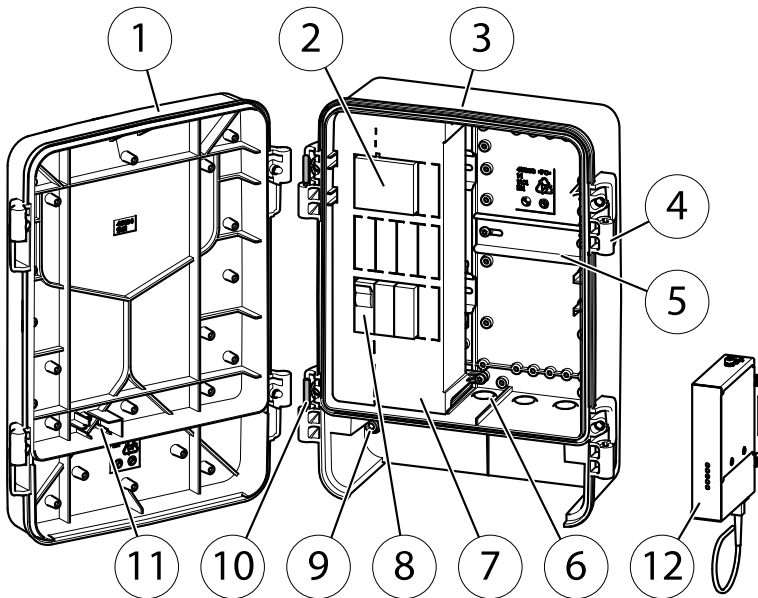
Installationsschritte

1. Stellen Sie sicher, dass die Packungsinhalte, Werkzeuge und andere notwendige Materialien für die Installation in Ordnung sind. Siehe *Seite 51*.
2. Machen Sie sich mit der Hardware-Übersicht vertraut. Siehe *Seite 52*.
3. Machen Sie sich mit den technischen Daten vertraut. Siehe *Seite 56*.
4. Installieren Sie die Hardware. Siehe *Seite 58*.

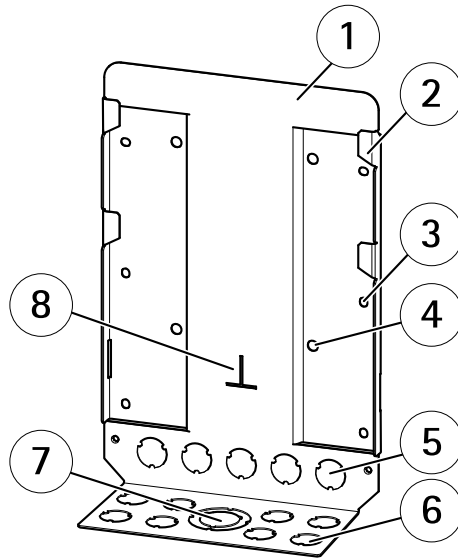
Lieferumfang

- Überwachungsschrank
 - AXIS T98A15-VE Medien-Konverter-Schrank A
 - AXIS T98A16-VE Medien-Konverter-Schrank A
 - AXIS T98A17-VE Medien-Konverter-Schrank A
 - AXIS T98A18-VE Medien-Konverter-Schrank A
 - AXIS T98A19-VE Medien-Konverter-Schrank A
- Installationsanleitung (dieses Dokument)
- Kabelklemmen
- Elektrische Sicherheitsabdeckung
- Medien-Konverter
- DIN-Halterung für optionalen Midspan (gilt nur für Varianten mit Midspan)
- Optionales Zubehör (siehe *Spezifikationen*)

Übersicht über die Hardware



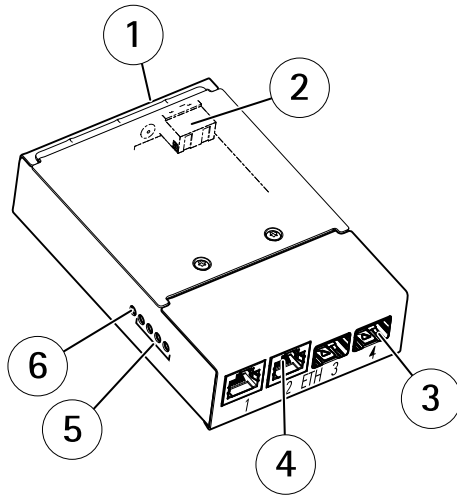
- 1 Schranktür
- 2 Netzteil
- 3 Unterschrank
- 4 Scharniere (2 auf jeder Seite)
- 5 DIN-Schiene
- 6 Kabelloch und Dichtung: M25 (0,75"), M20 (0,5") (3x)
- 7 Elektrische Sicherheitsabdeckung
- 8 Elektrisches Sicherheits-Set
- 9 Sicherheitsschrauben (2x)
- 10 Scharnierbolzen (2x)
- 11 Aussparung für Türschalter
- 12 Medien-Konverter



Montageplatte

- 1 Montageplatte
- 2 Haken
- 3 Gewindebohrung für Wandmontage \varnothing 6,55 mm (0,26") (6x)
- 4 Gewindebohrung für Halterungsmontage \varnothing 8,55 mm (0,35") (4x)
- 5 Knock-Out M25 (0,75") (5x)
- 6 Knock-Out M25 (0,75") (8x)
- 7 Knock-Out M50 (1,5"), M25 (0,75")
- 8 Ausrichtungsmarke

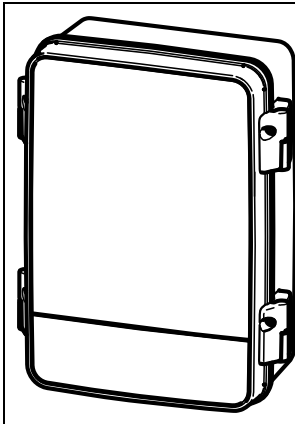
AXIS T98A-VE Media Converter Cabinet A Series



AXIS T8604-Media-Konverter-Switch

- 1 Masseschraube
- 2 Netzanschluss (Gleichstromeingang)
- 3 Netzwerkanschlüsse SFP
- 4 Netzwerkanschlüsse RJ45
- 5 Netzwerk-LED-Anzeigen
- 6 LED-Betriebsanzeige

Übersicht über die Schnittstellen

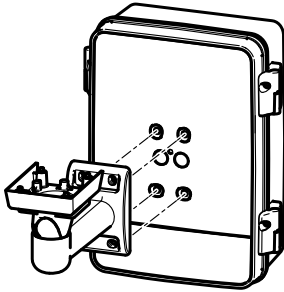


Bei allen Ausführungen
enthalten.

- Kabelklemme (1x)
- Kabelklemme (5x)
- Kabelklemme (2x)
- Schraube (6x)
- Schraube (2x)

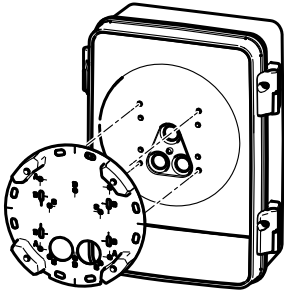
AXIS T98A-VE Media Converter Cabinet A Series

AXIS T98A15-VE
Medien-Konverter-Schrank A



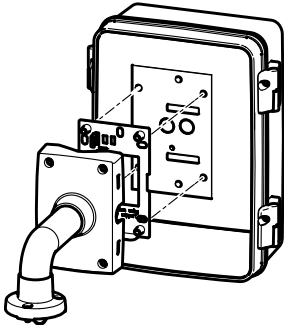
- Schraube T30 (4x)
- Unterlegscheibe (4x)
- Kabeldichtung M20 (2x)

AXIS T98A16-VE
Medien-Konverter-Schrank A



- Schraube T20 (4x)
- Unterlegscheibe (4x)
- Kabeldichtung M20 (3x)

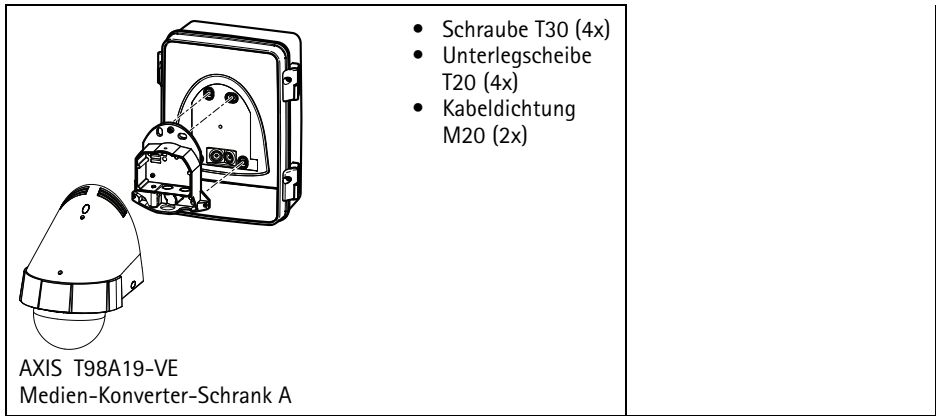
AXIS T98A17-VE
Medien-Konverter-Schrank A



- Schraube T30 (6x)
- Unterlegscheibe (6x)
- Kabeldichtung M20 (2x)

AXIS T98A18-VE
Medien-Konverter-Schrank A

AXIS T98A-VE Media Converter Cabinet A Series



LEDs am Medien-Konverter

LED	Farbe	Bedeutung
Stromversorgung	Leuchtet nicht	Gleichstrom nicht angeschlossen oder Stromschutz eingeschaltet (Überlastung)
	Grün	Gleichstrom angeschlossen.
Netzwerk (4x)	Gelb	10-Mbit-Anschluss. Blinkt bei Aktivität.
	Grün	100/1000-Mbit-Anschluss. Blinkt bei Aktivität.

Anschlüsse und Tasten

Für die technischen Daten und Betriebsbedingungen siehe *Seite 56*.

Netzwerkanschluss

RJ-45-Ethernetanschluss.

Diese Einheit kann nur eine (1) Netzwerkschnittstelle verwenden: entweder ein SFP-Modul oder den RJ-45-Anschluss. Das SFP-Modul hat eine höhere Priorität als der RJ-45-Anschluss.

Technische Daten

Betriebsbedingungen

Das Axis Produkt ist für die Verwendung im Freien konzipiert.

AXIS T98A-VE Media Converter Cabinet A Series

Produkt	Temperatur	Luftfeuchtigkeit
AXIS T98A-VE Medien-Konverter-Schrank der Serie A*	-40 °C bis 65 °C	10 bis 100 % rF (kondensierend)

* Für Varianten mit Midspan siehe technische Daten des aktuellen Midspan.

Spezifikation für Schraubendrehmoment

Schraube	Drehmoment	
Unterschrank an der Montageplatte befestigen	3,0 Nm \pm 0,2	2,21 lb-ft \pm 0,15
Elektrische Schutzabdeckung an den Unterschrank befestigen	0,8 Nm \pm 0,1	0,59 lb-ft \pm 0,07
Schranktür am Unterschrank befestigen	3,5 Nm \pm 0,2	2,58 lb-ft \pm 0,15
Schrauben zum Befestigen von zum Beispiel Kabelklemmen und DIN-Schienen im Schrank	0,8 Nm \pm 0,1	0,59 lb-ft \pm 0,07
Halterung für die Netzwerk-Kamera an der Schranktür des AXIS T98A16-VE befestigen	3,0 Nm \pm 0,2	2,21 lb-ft \pm 0,15
Halterung für die Netzwerk-Kamera an der Schranktür des AXIS T98A17-VE befestigen	1,2 Nm \pm 0,2	0,89 lb-ft \pm 0,15
Halterung für die Netzwerk-Kamera an der Schranktür des AXIS T98A18-VE befestigen	3,0 Nm \pm 0,2	2,21 lb-ft \pm 0,15
Halterung für die Netzwerk-Kamera an der Schranktür des AXIS T98A19-VE befestigen	3,0 Nm \pm 0,2	2,21 lb-ft \pm 0,15

Installieren der Hardware

HINWEIS

- Um Kondensation zu vermeiden, dürfen Sie das Produkt bei Regen weder ein- noch auseinanderbauen.

Beachten

- Die Scharniere haben einen Anschlag, der die Schranktür bei 105° sperrt.
- Für eine einfache Installation kann die Schranktür während der Installation des Unterschranks entfernt werden.

Installieren der Montageplatte

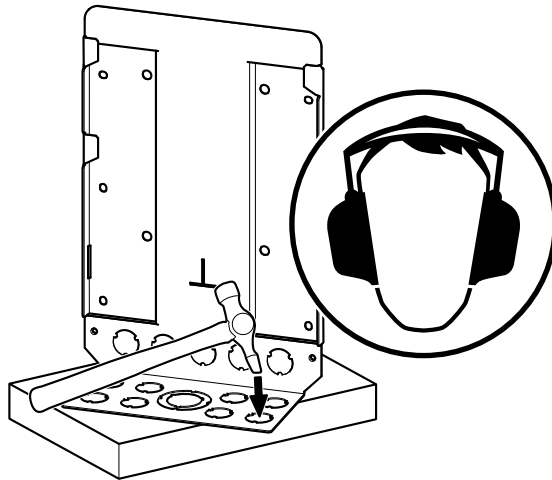
Beachten

- Für Kabel, die von unten verlegt werden, verwenden Sie die Knock-Outs an der Unterseite. Für Kabel, die von hinten verlegt werden, verwenden Sie die rückseitigen Knock-Outs.

1. Installieren Sie die Montageplatte entsprechend der mitgelieferten Anleitung. Falls das Bohren von Löchern erforderlich ist, stellen Sie sicher, dass die Bohrspitzen, Schrauben und Dübel für den Baustoff geeignet sind.

Entfernen Sie die Knock-Outs wie im Folgenden beschrieben:

2. Unterstützen Sie die Montageplatte, damit sie flach bleibt und sich beim Entfernen der Knock-Outs nicht biegt.
3. Schlagen Sie mit einem Kreuzschlosshammer so lange auf das Knock-Out, bis es herauskommt.

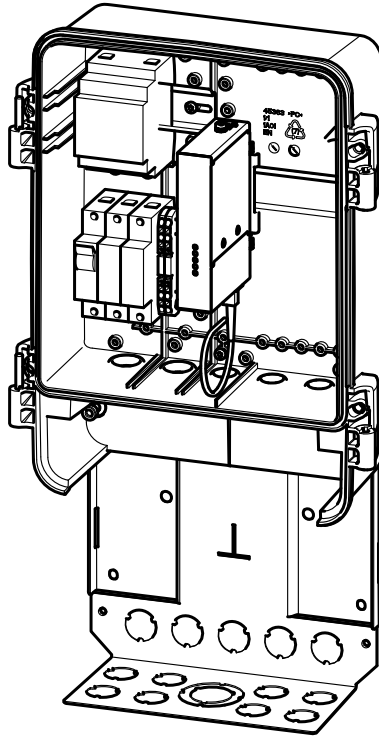


4. Montieren Sie die Montageplatte an der Wand oder an der ausgewählten Halterung.

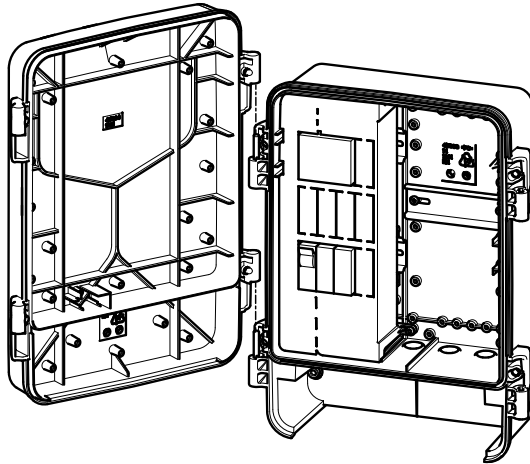
Installieren des Unterschranks

1. Öffnen Sie die Aufbohrungen oder Ausschnitte für Kabel im Unterschrank. Markierungen zeigen an, wo diese Kabellöcher aufgebohrt oder ausgeschnitten werden können.
2. Installieren des Medien-Konverters, siehe *Installieren des Medien-Konverters auf Seite 61*.
3. Für Varianten mit Midspan: Installieren des Midspan, siehe *Installieren des Midspan auf Seite 62*.
4. Hängen Sie den Unterschrank an die Haken der Montageplatte. Richten Sie das untere Ende des Unterschranks an der Übereinstimmungsmarkierung aus, damit Sie einen einfachen Zugang haben, während Sie die Kabel verbinden (siehe Abbildung unten).

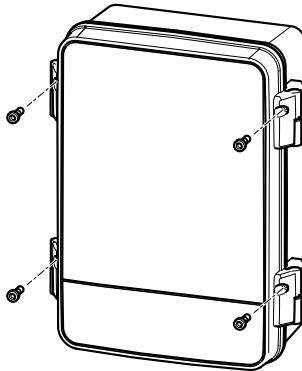
AXIS T98A-VE Media Converter Cabinet A Series



5. Anschließen der Kabel, siehe *Anschließen der Kabel auf Seite 62*.
6. Schieben Sie den Unterschrank in die unterste Position.
7. Befestigen Sie den Unterschrank mithilfe der Sicherungsschrauben an der Montageplatte.
8. Bewegen Sie die Scharnierbolzen an die bevorzugte Seite und hängen Sie die Tür in die Scharniere (siehe Abbildung unten).



9. Installieren der Netzwerk-Kamera, siehe *Installieren der Netzwerk-Kamera auf Seite 66*.
10. Befestigen Sie die Schranktür mit den Schrauben (siehe Abbildung unten).



Installieren des Medien-Konverters

Die Position der Komponenten finden Sie in der *Übersicht über die Hardware auf Seite 52*.

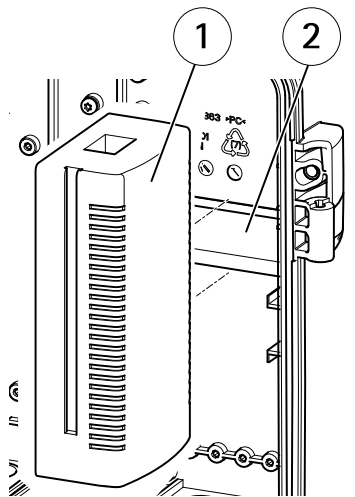
Schließen Sie den Medien-Konverter an die DIN-Schiene im Schrank an.

Installieren des Midspan

Beachten

Diese Anweisung gilt nur für Varianten mit Midspan.

1. Bringen Sie die mitgelieferte DIN-Halterung am Midspan an. Siehe Installationsanleitung für den Midspan.
2. Bringen Sie den Midspan an die DIN-Schiene an.



- 1 Midspan
2 DIN-Schiene

Anschließen der Kabel

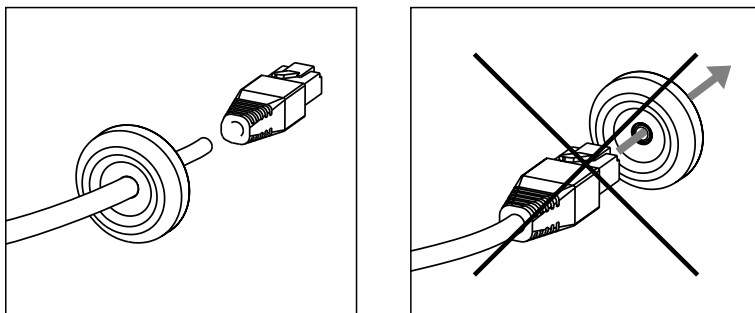
⚠ GEFAHR

- Die Installationen der elektrischen Verbindungen und Kabelkanäle müssen von einem zugelassenen Elektriker in Übereinstimmung mit örtlichen Bestimmungen gemacht werden.
- Schließen Sie das Netzteil erst nach kompletter Installation an das Versorgungsnetz an.

HINWEIS

- Kabeldichtungen müssen in allen offenen Kabellöchern des Unterschranks angebracht werden, um die Schutzklasse des Produktes zu erhalten. Wenn die Löcher nicht verschlossen werden, kann gegebenenfalls Wasser in den Schrank eindringen und das Innere der Geräte beschädigen.
- Kabelkanäle durch M20-Dichtungen sollten einen Durchmesser von 3,5 mm bis 12,5 mm (0,14" bis 0,49") haben.
- Kabelkanäle durch M25-Dichtungen sollten einen Durchmesser von 9,1 mm bis 12,5 mm (0,36" bis 0,49") haben.
- Signal- und Stromkabel müssen im Schrank immer voneinander getrennt sein.
- Drücken Sie den Anschluss nicht mit Gewalt in die Dichtung.
- Stechen Sie mithilfe des Kabels ein Loch in die Dichtung. Verwenden Sie kein Messer oder einen anderen scharfen Gegenstand. Dies kann zu Schäden an der Dichtung führen.

Um ein Kabel mit einer Dichtung zu präparieren, drücken Sie das Kabel vorsichtig durch die Dichtung und befestigen Sie den entsprechenden Anschluss.



Anschließen der Stromkabel

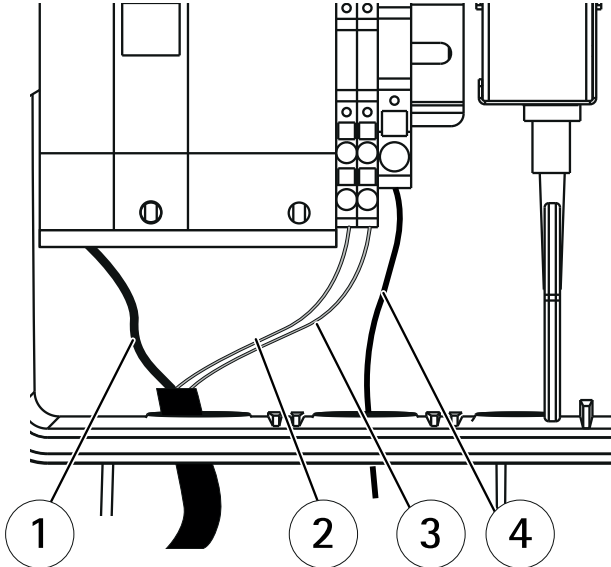
HINWEIS

- Es handelt sich um festgeschaltete Ausrüstung. Ein leicht zugänglicher Hauptschalter sollte außen an der Ausrüstung angebracht werden.
- Beim externen Hauptschalter sollte es sich um einen zweipoligen Schalter handeln, der sowohl die Phase als auch den Nullleiter unterbricht.
- Es wird empfohlen, einen Bonddraht zum äußeren Schutzmantel zu verwenden – mit einer Fläche von mindestens 6 mm² (AWG 10) beim Einsatz in Innenräumen und 10 mm² (AWG 8) im Außenbereich.

Ein Anschlussschaltbild finden Sie unter *Anschlussschaltbilder auf Seite 70*.

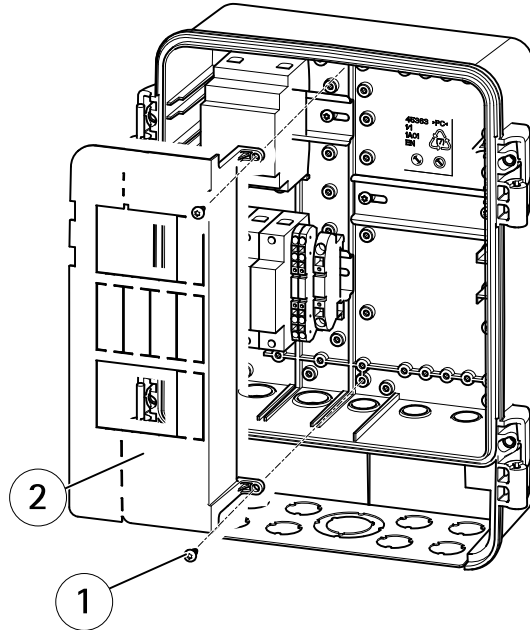
AXIS T98A-VE Media Converter Cabinet A Series

1. Entfernen Sie die elektrische Sicherheitsabdeckung.
2. Für das Verlegen der Kabel durch die Kabelkanäle (nicht im Lieferumfang enthalten) werden Kabeldichtungen und Kabellöcher benötigt.
3. Befestigen Sie die Kabeldichtungen an den Kabellöchern.
4. Schließen Sie die drei eingehenden Kabel für die Netzspannung und den Bonddraht zum äußeren Schutzmantel wie in der obigen Abbildung gezeigt an.



- 1 Leitung
- 2 Neutral
- 3 Massekabel
- 4 Bonddraht zum äußeren Schutzmantel

5. Befestigen Sie die elektrische Sicherheitsabdeckung unter Verwendung der mitgelieferten Schrauben (Drehmoment $0,8 \text{ Nm} \pm 0,1$).



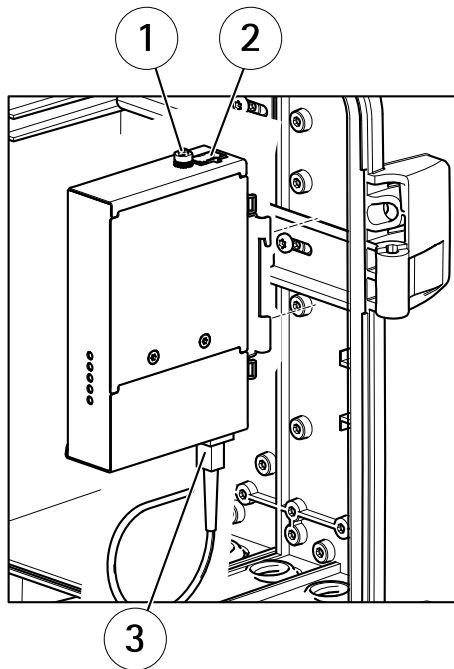
- 1 Schraube T20 (2x)
- 2 Elektrische Sicherheitsabdeckung

Anschließen der Kabel für den Medien-Konverter

Beachten

Der Medien-Konverter sollte mit geschirmten Netzkabeln (Shielded Network Cable, STP) gemäß ihrer bestimmungsgemäßen Verwendung verbunden werden. Stellen Sie sicher, dass der Schalter ordnungsgemäß geerdet ist. Behördliche Anforderungen finden Sie unter Hinweise zur elektromagnetischen Verträglichkeit (EMV).

1. Schließen Sie das Massekabel an die Masseschraube an.
2. Schließen Sie die Netzkabel an die Netzwerkanschlüsse an (RJ45, SFP).
3. Verbinden Sie das Netzkabel mit dem Stromanschluss (Gleichstromeingang).



- 1 *Masseschraube*
- 2 *Netzanschluss (Gleichstromeingang)*
- 3 *Netzwerkkabel*

Anschließen der Midspan-Kabel

Beachten

Diese Anweisung gilt nur für Varianten mit Midspan.

1. Verbinden Sie den Midspan (Dateneingang) und den Medien-Konverter mit einem Netzwerkkabel.
2. Schließen Sie das vorgelegte Netzkabel am Stromanschluss an.

Installieren der Netzwerk-Kamera

Die Netzwerk-Kamera ist separat erhältlich.

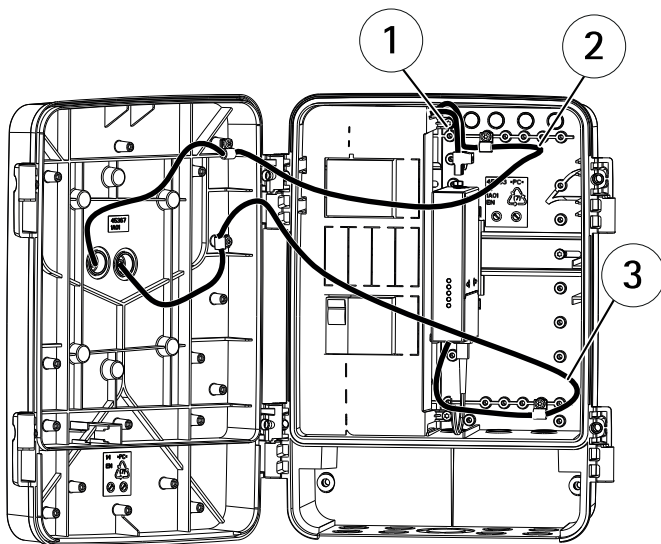
Beachten

Vergewissern Sie sich bei der Kabelführung, dass der Spielraum des Kabels lang genug ist, um die Tür zu öffnen.

AXIS T98A-VE Media Converter Cabinet A Series

Siehe nachfolgende Abbildungen für Kabelführung

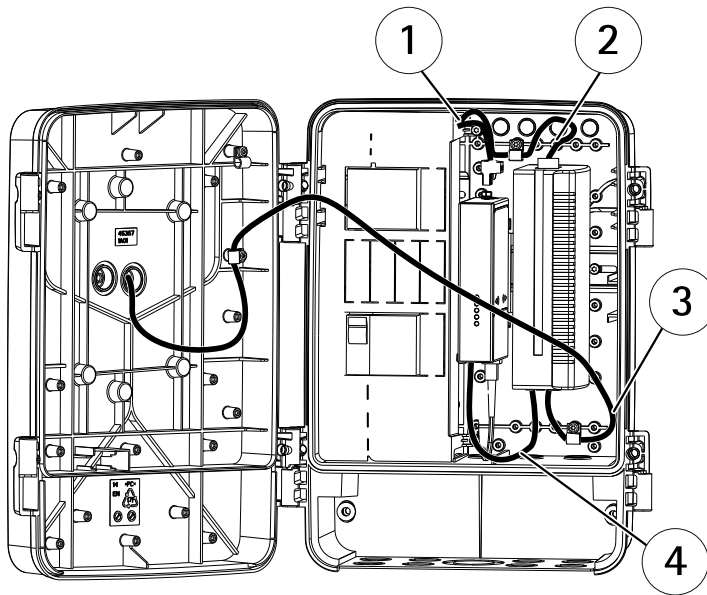
1. Führen Sie die Netzwerk- und Stromkabel durch die Schranktür und die Wandhalterung der Kamera.
2. Für Varianten mit Midspan: Verbinden Sie den Midspan (Anschluss für Daten- und Stromausgang) mit der Kamera durch das Netzwerk-kabel, das mit der Kamera verbunden wurde.
3. Schließen Sie das Stromkabel des Medien-Konverter-Schranks an die Kamera an.
4. Schließen Sie das Netzwerk-kabel des Medien-Konverters an die Kamera an.
5. Falls zutreffend, verwenden Sie den mit der Montagehalterung mitgelieferten Sicherheitsdraht, um zu verhindern, dass die Kamera herunterfällt.
6. Befestigen Sie die Kamera an der Schranktür oder falls zutreffend, an der Kamerahalterung. Siehe *Spezifikation für Schraubendrehmoment auf Seite 57*.



AXIS T98A-VE Medien-Konverter-Schränke

- 1 *Stromkabel an Medien-Konverter*
- 2 *Stromkabel an Kamera*
- 3 *Netzwerk-kabel*

AXIS T98A-VE Media Converter Cabinet A Series



Schrankvariante mit optionalem Midspan

- 1 Stromkabel an Medien-Konverter
- 2 Stromkabel an Midspan
- 3 Netzkabel an Kamera
- 4 Netzkabel zwischen Midspan und Medien-Konverter

Spezifikationen

Modelle	AXIS T98A15-VE MEDIEN-KONVERTER-SCHRANK A 120 V AC AXIS T98A16-VE MEDIEN-KONVERTER-SCHRANK A 120 V AC AXIS T98A17-VE MEDIEN-KONVERTER-SCHRANK A 120 V AC AXIS T98A18-VE MEDIEN-KONVERTER-SCHRANK A 120 V AC AXIS T98A19-VE MEDIEN-KONVERTER-SCHRANK A 120 V AC AXIS T98A15-VE MEDIEN-KONVERTER-SCHRANK A 230 V AC AXIS T98A16-VE MEDIEN-KONVERTER-SCHRANK A 230 V AC AXIS T98A17-VE MEDIEN-KONVERTER-SCHRANK A 230 V AC AXIS T98A18-VE MEDIEN-KONVERTER-SCHRANK A 230 V AC AXIS T98A19-VE MEDIEN-KONVERTER-SCHRANK A 230 V AC
Stromversorgung	Eingang (120 V AC): 90 bis 175 V AC, max. 4 A Eingang (230 V AC): 90 bis 264 V AC, max. 4 A Ausgang AXIS T98A15-VE, AXIS T98A16-VE, AXIS T98A17-VE: 12 V DC, 20 W

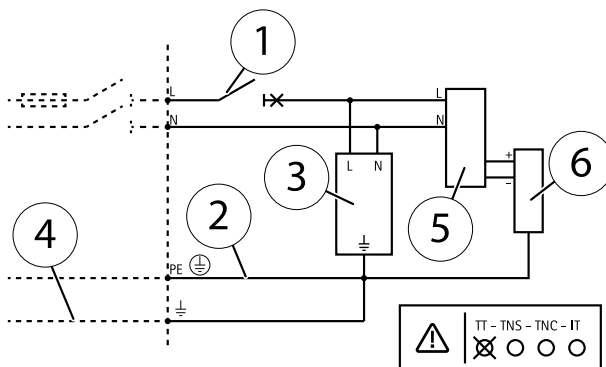
AXIS T98A-VE Media Converter Cabinet A Series

	Ausgang AXIS T98A18-VE , AXIS T98A19-VE : entspricht Eingangsspannung, max. 4 A
Anschlüsse	2 RJ-45-Anschlüsse (10/100 MBit/s) 2 SFP-Anschlüsse (100/1000 MBit/s) für SFP-Glasfasermodule oder SFP-zu-Kupfermodule
Gehäuse	Schrank aus Polycarbonat und Montageplatte aus Edelstahl Farbe: Weiß NCS 1002-B und Edelstahl
Display und Leuchten	LED-Anzeigen
Umgebung	Außenbereich
Zulassungen	<p>AXIS T98A-VE-Serie 230 V: EN 55022 Klasse A EN 55024 EN 61000-3-2 EN 61000-3-3 EN 61000-6-1 EN 61000-6-2 C-Tick AS/NZS CISPR 22 Klasse A</p> <p>AXIS T98A-VE-Serie 120 V: FCC Abschnitt 15, Teil B, Klasse A VCCI Klasse A ICES-003 Klasse A CISPR22 Klasse A</p> <p>AXIS T98A15-VE/T98A16-VE/T98A17-VE: IEC 60068-2-6 Vibration 4M4 IEC 60068-2-27 Stoß 4M4</p> <p>AXIS T98A18-VE/T98A19-VE: IEC 60068-2-6 Vibration 4M3 IEC 60068-2-27 Stoß 4M3</p> <p>Gültig für alle: EN 50121-4 IEC 62236-4 EN 50581 (RoHS) IEC/EN 60529 IP66 NEMA 250 Typ 4X IEC/EN 62262 IK10 REACH WEEE CE</p>

AXIS T98A-VE Media Converter Cabinet A Series

Betriebsbedingungen	-40 °C bis 65 °C 10 bis 100% rF (kondensierend) Die Betriebsbedingungen des AXIS T98A18 VE Medien-Konverter-Schranks finden Sie bei den technischen Daten des AXIS T8124 Midspan.
Abmessungen (H x B x T)	361 x 282 x 131 mm (14,2 x 11,1 x 5,2 Zoll)
Gewicht	4,4 kg (9,7 lb)
Im Lieferumfang enthaltenes Zubehör	Installationsanleitung Vormontierter Kabeldichtungen Vormontierte DIN-Schienen Kabelklemmen Elektrische Sicherheitsabdeckung Vormontierte LS-Sicherung Vormontierter Überspannungsschutz Vormontiertes Netzteil (12 V Gleichstrom) Medien-Konverter Für Varianten mit Midspan: DIN-Halterung für Midspan
Optionales Zubehör	AXIS T98A Sonnenblende A AXIS Türschalter AXIS T95A64 Halterung (Ecke) AXIS T95A67 Halterung (Mast) AXIS Schrankschloss A

Anschlussbilder



- 1 Trennschalter/Sicherung 4 A
- 2 Eingehende Netzspannung

- 3 *Überspannungsschutz mit 230 oder 120 V AC*
- 4 *Bonddraht zum äußeren Schutzmantel*
- 5 *Netzteil*
- 6 *Medien-Konverter*

Weitere Informationen

Besuchen Sie das Axis-Schulungszentrum www.axis.com/academy für anregende Schulungen, Webinare, Lernprogramme und Anleitungen.

Gewährleistung

Informationen zur Gewährleistung der Axis Produkte und hierzu verbundene Informationen, finden Sie unter www.axis.com/warranty/

Informazioni di sicurezza

Leggere con attenzione questa guida all'installazione prima di installare il dispositivo. Conservare questo documento per usi futuri.

Livelli di pericolo

▲PERICOLO

Indica una situazione pericolosa che, se non evitata, provoca morte o lesioni gravi.

▲AVVERTENZA

Indica una situazione pericolosa che, se non evitata, può provocare la morte o lesioni gravi.

▲ATTENZIONE

Indica una situazione pericolosa che, se non evitata, può provocare lesioni medie o minori.

AWISO

Indica una situazione che, se non evitata, può danneggiare la proprietà.

Altri livelli di messaggio

Importante

Indica informazioni importanti, essenziali per il corretto funzionamento del dispositivo.

Nota

Indica informazioni utili che aiutano a ottenere il massimo dal dispositivo.

Istruzioni di sicurezza

⚠AVVERTENZA

- Il dispositivo Axis deve essere installato da un professionista qualificato.

AWISO

- Il dispositivo Axis deve essere utilizzato in conformità alle leggi e alle disposizioni locali.
- Conservare il dispositivo Axis in un ambiente asciutto e ventilato.
- Evitare di esporre il dispositivo Axis a urti o pressioni eccessive.
- Non installare il dispositivo su supporti, superfici o pareti instabili.
- Utilizzare solo strumenti applicabili quando si installa il dispositivo Axis. Se si utilizza una forza eccessiva con gli strumenti dell'alimentazione è possibile causare danni al dispositivo.
- Utilizzare solo accessori compatibili con le specifiche tecniche del dispositivo. Questi possono essere forniti da Axis o da terze parti.
- Utilizzare solo parti di ricambio fornite o consigliate da Axis.
- Non tentare di riparare il dispositivo da soli. Contattare l'assistenza o il rivenditore Axis per questioni relative alla manutenzione.

Trasporto

AWISO

- Durante il trasporto del dispositivo Axis, utilizzare l'imballaggio originale o equivalente per evitare danni al dispositivo.

Guida all'installazione

La presente guida all'installazione fornisce le istruzioni necessarie per installare l'armadio Media Converter AXIS T98A serie A.

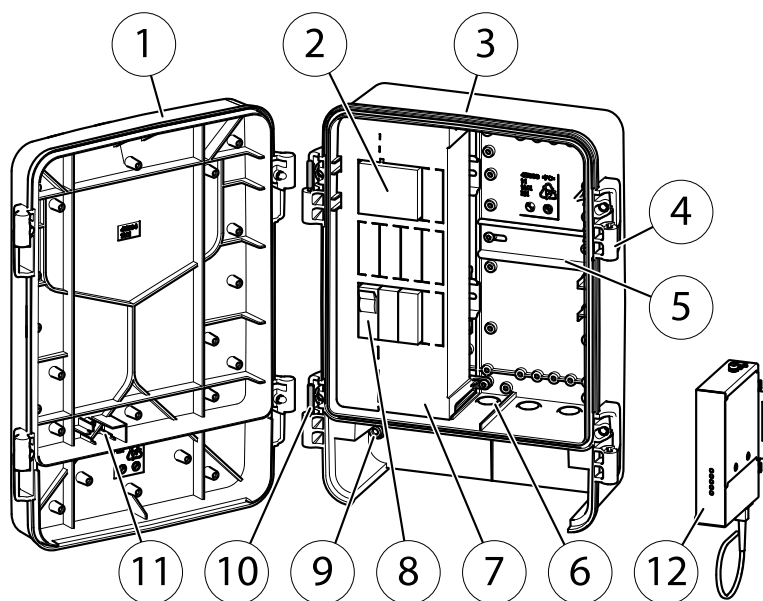
Procedura di installazione

1. Assicurarsi che il contenuto della confezione, gli strumenti e altri materiali necessari per l'installazione siano in ordine. Consultare *pagina 75*.
2. Studiare la descrizione dell'hardware. Consultare *pagina 76*.
3. Studiare le specifiche. Consultare *pagina 80*.
4. Installare l'hardware. Consultare *pagina 81*.

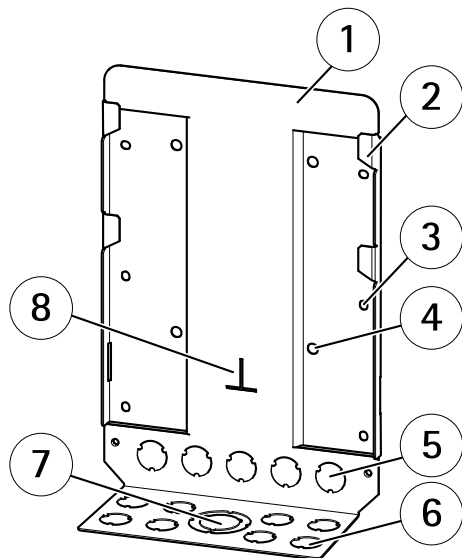
Contenuto della confezione

- Armadio di sorveglianza
 - Armadio Media Converter AXIS T98A15-VE A
 - Armadio Media Converter AXIS T98A16-VE A
 - Armadio Media Converter AXIS T98A17-VE A
 - Armadio Media Converter AXIS T98A18-VE A
 - Armadio Media Converter AXIS T98A19-VE A
- Guida all'installazione (questo documento)
- Morsetti dei cavi
- Sportello di sicurezza elettrica
- Media Converter
- Clip DIN per midspan opzionale (valido solo per le varianti che utilizzano un midspan)
- Accessori opzionali (vedere *Specifiche tecniche*)

Panoramica dell'hardware



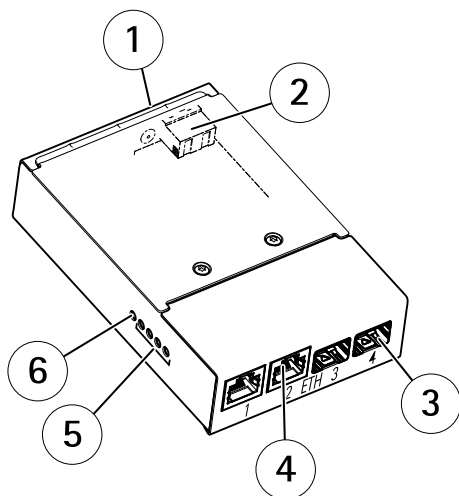
- 1 Anta dell'armadio
- 2 Alimentatore
- 3 Base dell'armadio
- 4 Cerniere (2x lato sinistro, 2x lato destro)
- 5 Guida DIN
- 6 Foro e guarnizione per cavo: M25 (3/4 pollice), M20 (1/2 pollice) (3x)
- 7 Coperchio di sicurezza elettrica
- 8 Kit di sicurezza elettrica
- 9 Viti di sicurezza (2x)
- 10 Perni delle cerniere (2x)
- 11 Slot per interruttore anta
- 12 Media Converter



Piastra di montaggio

- 1 *Piastra di montaggio*
- 2 *Gancio*
- 3 *Foro vite per montaggio a parete $\varnothing 6,55$ mm (0,26 pollici) (6x)*
- 4 *Foro vite per montaggio a staffa $\varnothing 8,55$ mm (0,35 pollici) (4x)*
- 5 *Foro a sfondare M25 (3/4 pollici) (5x)*
- 6 *Foro a sfondare M25 (3/4 pollici) (8x)*
- 7 *Foro a sfondare M50 (1 1/2 pollici); M25 (3/4 pollici)*
- 8 *Indicatore di allineamento*

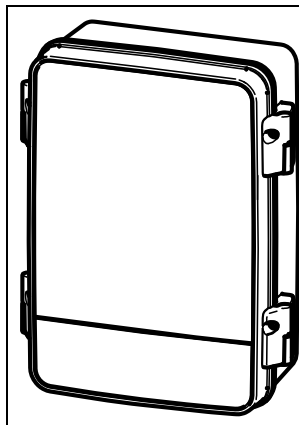
AXIS T98A-VE Media Converter Cabinet A Series



Switch Media Converter AXIS T8604

- 1 Vite di terra
- 2 Connettore di alimentazione (ingresso CC)
- 3 Connettori di rete SFP
- 4 Connettori di rete RJ45
- 5 Indicatore LED di rete
- 6 Indicatore LED di alimentazione

Panoramica dell'interfaccia

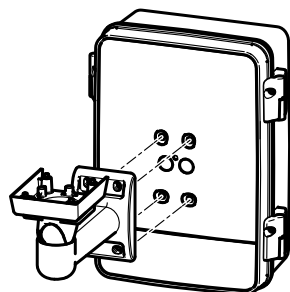


Incluso in tutte le varianti:

- Morsetto cavo (1x)
- Morsetto cavo (5x)
- Morsetto cavo (2x)
- Vite (6x)
- Vite (2x)

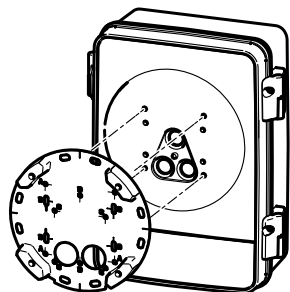
AXIS T98A-VE Media Converter Cabinet A Series

Armadio Media Converter
AXIS T98A15-VE A



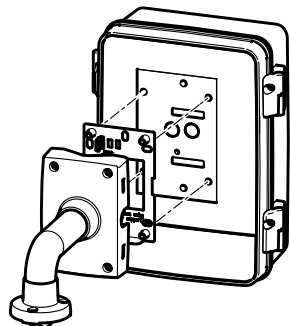
- Vite T30 (4x)
- Rondella (4x)
- Guarnizione cavo M20 (2x)

Armadio Media Converter
AXIS T98A16-VE A



- Vite T20 (4x)
- Rondella (4x)
- Guarnizione cavo M20 (3x)

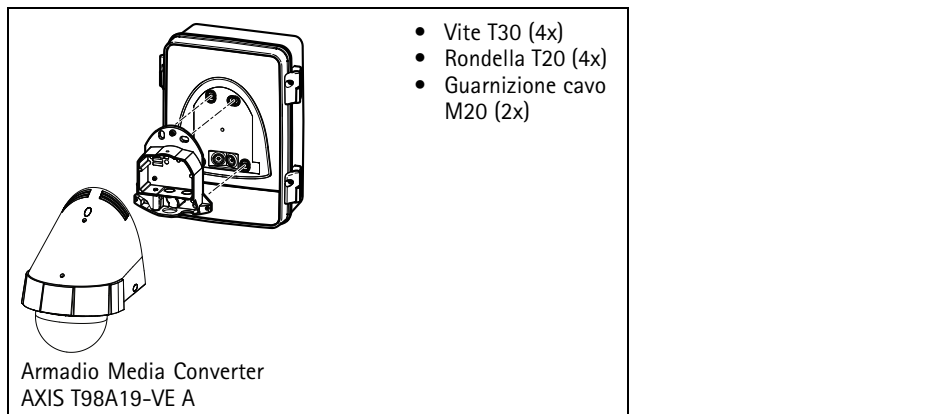
Armadio Media Converter
AXIS T98A17-VE A



- Vite T30 (6x)
- Rondella (6x)
- Guarnizione cavo M20 (2x)

Armadio Media Converter
AXIS T98A18-VE A

AXIS T98A-VE Media Converter Cabinet A Series



Indicatori LED del Media Converter

LED	Colore	Indicazione
Alimentazione	Spento	Alimentazione CC non connessa o protezione della corrente innestata (sovraccarico di alimentazione).
	Verde	Connesso all'alimentazione CC.
Rete (4x)	Giallo	Connessione 10 Mbit. Lampeggia durante l'attività.
	Verde	Connessione 100/1000 Mbit. Lampeggia durante l'attività.

Connettori e pulsanti

Per le specifiche e le condizioni di funzionamento, consultare *pagina 80*.

Connettore di rete

Connettore Ethernet RJ45.

L'unità può utilizzare una sola interfaccia di rete, un modulo SFP o un connettore RJ45. Un modulo SFP ha una priorità più alta rispetto al connettore RJ45.

Dati tecnici

Condizioni di funzionamento

Il dispositivo Axis è destinato all'uso esterno.

AXIS T98A-VE Media Converter Cabinet A Series

Prodotto	Temperatura	Umidità
Armadio Media Converter AXIS T98A-VE serie A*	Da -40 °C a 65 °C (da -40 °F a 149 °F)	10-100% (umidità relativa con condensa)

* Per le varianti che utilizzano un midspan, vedere la specifica tecnica per il midspan attuale.

Specifiche per la stretta delle viti

Vite	Serraggio	
Fissare la base dell'armadio alla piastra di montaggio	3,0 Nm \pm 0,2	2,21 lb-ft \pm 0,15
Fissare il coperchio di sicurezza elettrica alla base dell'armadio	0,8 Nm \pm 0,1	0,59 lb-ft \pm 0,07
Fissare l'anta alla base dell'armadio	3,5 Nm \pm 0,2	2,58 lb-ft \pm 0,15
Viti per fissare ad esempio morsetti dei cavi e guide DIN all'interno dell'armadio	0,8 Nm \pm 0,1	0,59 lb-ft \pm 0,07
Fissare la staffa della telecamera di rete all'anta dell'armadio AXIS T98A16-VE	3,0 Nm \pm 0,2	2,21 lb-ft \pm 0,15
Fissare la staffa della telecamera di rete all'anta dell'armadio AXIS T98A17-VE	1,2 Nm \pm 0,2	0,89 lb-ft \pm 0,15
Fissare la staffa della telecamera di rete all'anta dell'armadio AXIS T98A18-VE	3,0 Nm \pm 0,2	2,21 lb-ft \pm 0,15
Fissare la staffa della telecamera di rete all'anta dell'armadio AXIS T98A19-VE	3,0 Nm \pm 0,2	2,21 lb-ft \pm 0,15

ITALIANO

Installazione dell'Hardware

AVVISO

- Per evitare la formazione di condensa, non montare o smontare il prodotto in caso di pioggia.

Nota

- Le cerniere hanno uno perno che blocca l'anta a 105°.
- Per facilitare l'installazione, l'anta dell'armadio può essere rimossa durante l'installazione della base dell'armadio.

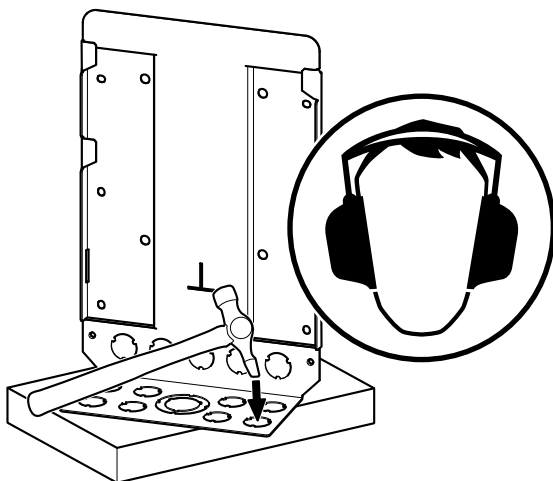
Installazione della piastra di montaggio

Nota

- Per inserire i cavi da sotto o da dietro la piastra di montaggio utilizzare gli appositi fori aiutandosi con un attrezzo al fine di sfondare il foro predefinito.
1. Installare la piastra di montaggio in base alle istruzioni fornite. Se è necessario forare. Assicurarsi di utilizzare punte, viti e tasselli adatti al materiale.

Di seguito come sfondare i fori predefiniti:

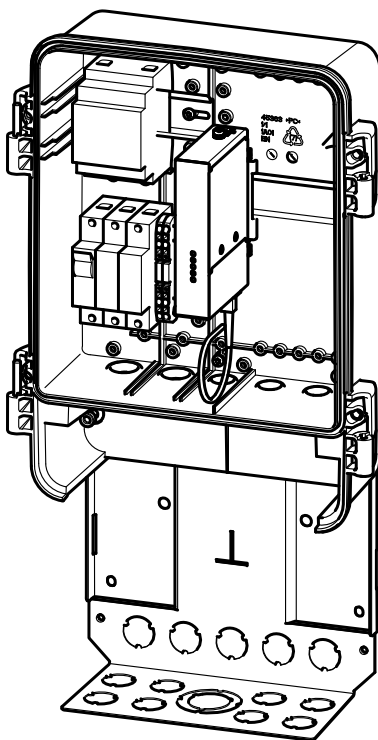
2. Sistemare la piastra di montaggio in modo che rimanga piatta e non si pieghi quando si rimuovono i fori da sfondare.
3. Colpire il foro da sfondare con un attrezzo adatto fino a quando il foro a sfondare fuoriesce.



4. Montare la piastra di montaggio a parete o il supporto selezionato.

Installazione della base dell'armadio

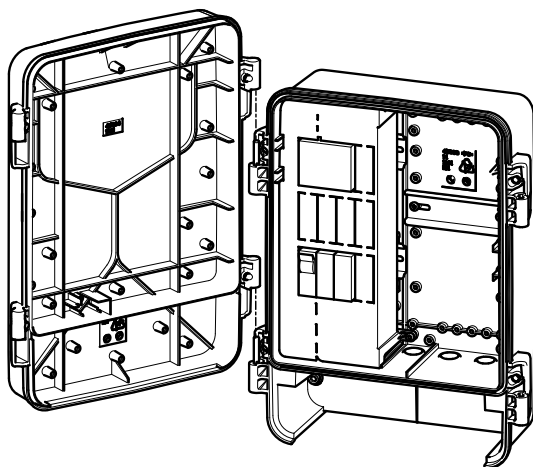
1. Per il passaggio dei cavi nella base dell'armadio forzare i prefori o le linee guida predefinite.
2. Installare il Media Converter, come indicato in *Installazione del Media Converter alla pagina 84*.
3. Per le varianti che utilizzano il midspan: installare il midspan, come indicato in *Installazione del midspan alla pagina 85*.
4. Appendere la base dell'armadio ai ganci della piastra di montaggio. Allineare l'estremità inferiore dell'armadio con l'indicatore di allineamento per facilitare l'accesso durante il collegamento dei cavi, come mostrato nell'illustrazione che segue.



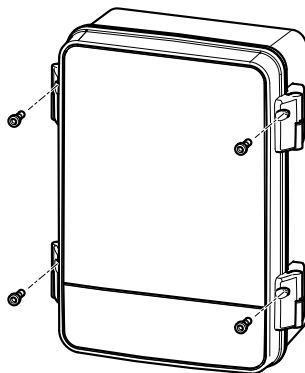
5. Collegare i cavi, come indicato in *Collegamento dei cavi alla pagina 85*.
6. Far scorrere la base dell'armadio nella posizione inferiore.
7. Fissare la base dell'armadio alla piastra di montaggio con le viti di fissaggio.

AXIS T98A-VE Media Converter Cabinet A Series

8. Spostare i perni sul lato preferito e appendere l'anta sulle cerniere, come mostrato nell'illustrazione che segue.



9. Installare la telecamera di rete, come indicato in *Installazione della telecamera di rete alla pagina 89*.
10. Fissare l'anta dell'armadio con le viti, come mostrato nell'illustrazione che segue.



Installazione del Media Converter

Vedere *Panoramica dell'hardware alla pagina 76* per la posizione dei componenti.

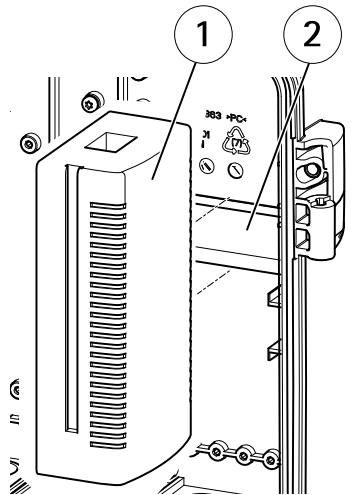
Fissare il Media Converter alla guida DIN nell'armadio.

Installazione del midspan

Nota

Queste istruzioni riguardano esclusivamente le varianti che utilizzano il midspan.

1. Fissare la clip DIN in dotazione al midspan. Per informazioni, vedere la Guida all'installazione del midspan.
2. Fissare il midspan alla guida DIN.



- 1 Midspan
- 2 Guida DIN

Collegamento dei cavi

▲PERICOLO

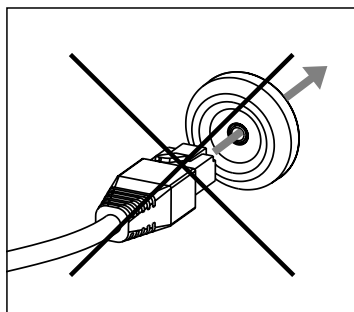
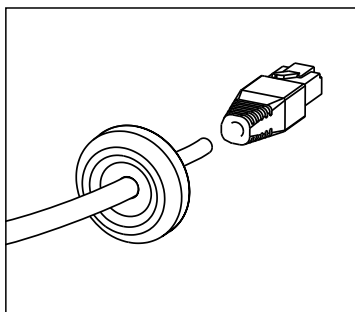
- Le connessioni elettriche e l'installazione dei condotti devono essere effettuate da un elettricista certificato e in conformità alle normative locali.
- Non collegare l'alimentatore all'alimentazione di rete finché l'installazione non è completata.

AXIS T98A-VE Media Converter Cabinet A Series

AVISO

- Le guarnizioni per cavi devono essere applicate a tutti i fori per cavi aperti presenti nella base dell'armadio per mantenere la classificazione IP del prodotto. Se i fori non sono sigillati, l'acqua potrebbe penetrare nell'armadio e causare danni ai dispositivi interni.
- I cavi inseriti attraverso guarnizioni M20 devono avere un diametro di 3,5 mm - 12,5 mm (0,14 pollici - 0,49 pollici).
- I cavi inseriti attraverso guarnizioni M25 devono avere un diametro di 9,1 mm - 12,5 mm (0,36 pollici - 0,49 pollici).
- I cavi di segnale e di potenza devono essere sempre separati all'interno dell'armadio.
- Non forzare il connettore nella guarnizione.
- Utilizzare il cavo per praticare un foro nella guarnizione. Non utilizzare un coltello o un altro oggetto appuntito che può danneggiare la guarnizione.

Per preparare un cavo con una guarnizione, spingere delicatamente il cavo attraverso la guarnizione e collegare il connettore appropriato.



Collegamento dei cavi di alimentazione

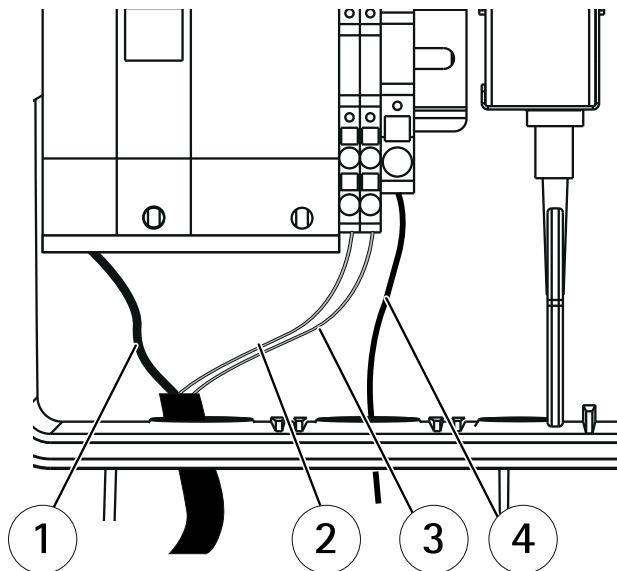
AVISO

- Si tratta di un apparecchio collegato in modo permanente. Un dispositivo di scollegamento accessibile in tempi rapidi viene incorporato esternamente all'apparecchiatura.
- Il dispositivo di scollegamento applicato esternamente all'apparecchiatura è un modello a due poli, che scollega sia la linea sia il conduttore neutro.
- Si consiglia di utilizzare una saldatura a filo di protezione esterna con un'area di almeno 6 mm² (AWG 10) per l'uso in ambienti interni e con un'area di almeno 10 mm² (AWG 8) per l'uso in ambienti esterni.

Per lo schema delle connessioni, vedere *Schemi delle connessioni alla pagina 93*.

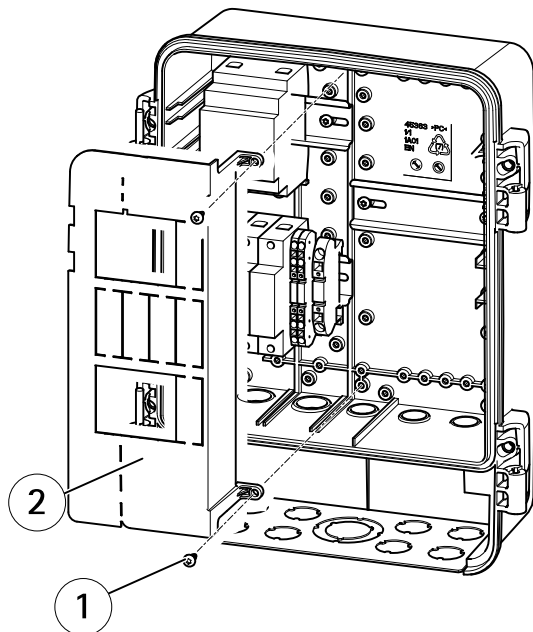
AXIS T98A-VE Media Converter Cabinet A Series

1. Rimuovere il coperchio di sicurezza elettrica.
2. Inserire i cavi necessari per l'installazione attraverso i condotti (non inclusi), le guarnizioni dei cavi e fori per cavi.
3. Fissare le guarnizioni dei cavi ai fori dei cavi.
4. Connettere i tre cavi della tensione in ingresso e la saldatura a filo di protezione esterna come indicato nell'illustrazione.



- 1 *Linea*
- 2 *Neutro*
- 3 *Cavo di terra*
- 4 *Saldatura a filo di protezione esterna*

5. Fissare il coperchio di sicurezza elettrica con le viti in dotazione (serraggio $0,8 \text{ Nm} \pm 0,1$).



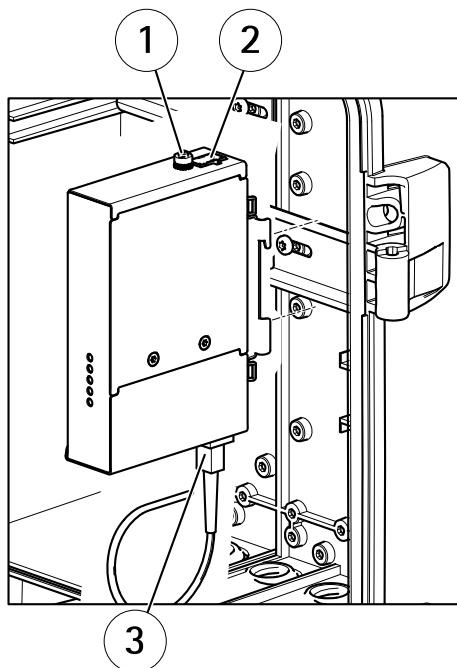
- 1 Vite T20 (2x)
- 2 Coperchio di sicurezza elettrica

Collegamento dei cavi del Media Converter

Nota

Collegare il Media Converter usando i cavi di rete schermati (STP) destinati all'uso specifico. Assicurarsi che lo switch sia adeguatamente connesso a terra. Per i requisiti di legge vedere le norme di Compatibilità elettromagnetica (EMC).

1. Collegare il cavo di terra alla vite di terra.
2. Collegare i cavi di rete ai connettori di rete (RJ45, SFP) come richiesto.
3. Collegare il cavo di alimentazione al connettore di alimentazione (ingresso CC).



- 1 Vite di terra
- 2 Connettore di alimentazione (ingresso CC)
- 3 Cavo di rete

Collegamento dei cavi del midspan

Nota

Queste istruzioni riguardano esclusivamente le varianti che utilizzano il midspan.

1. Collegare un cavo di rete al midspan (ingresso dati) e al Media Converter.
2. Collegare il cavo di alimentazione premontato al connettore di alimentazione.

Installazione della telecamera di rete

La telecamera di rete viene venduta separatamente.

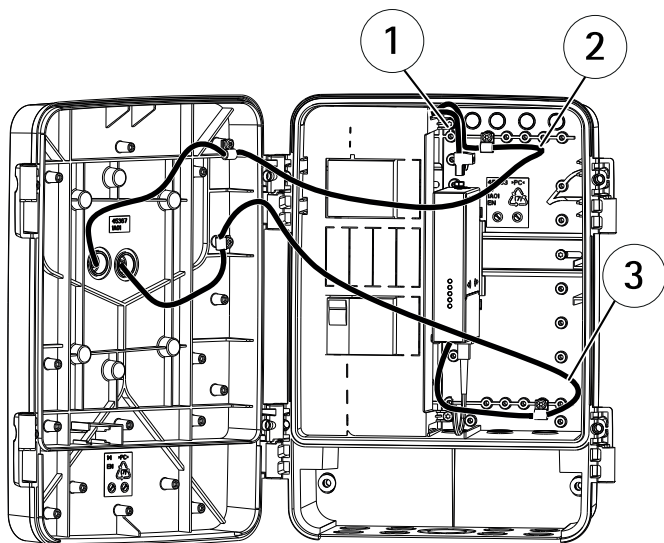
Nota

Quando si inseriscono i cavi, assicurarsi che il cavo sia sufficientemente lungo per aprire completamente l'anta.

AXIS T98A-VE Media Converter Cabinet A Series

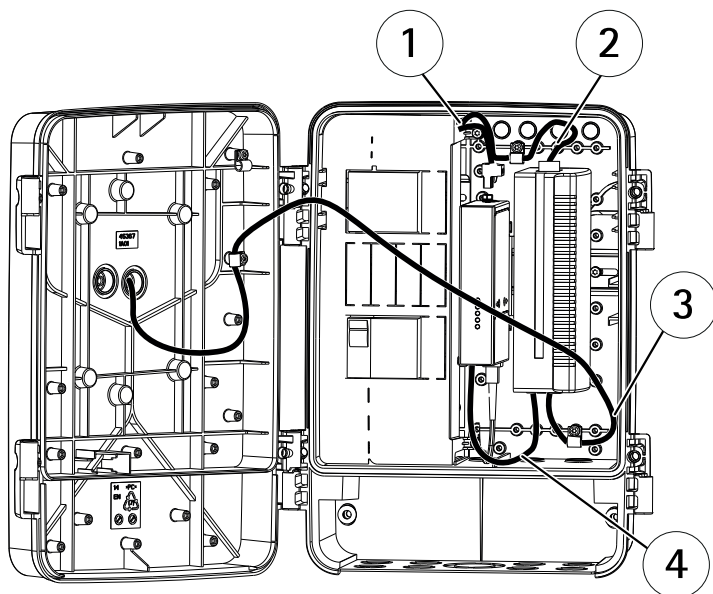
Vedere le illustrazioni riportate di seguito per l'inserimento dei cavi.

1. Inserire il cavo di rete e il cavo di alimentazione attraverso l'anta dell'armadio e la staffa della telecamera.
2. Per le varianti che utilizzano il midspan: collegare il midspan (uscita dati e alimentazione) alla telecamera tramite il cavo di rete che è stato collegato alla telecamera.
3. Collegare il cavo di alimentazione dall'armadio Media Converter alla telecamera.
4. Collegare il cavo di rete dal Media Converter alla telecamera.
5. Se necessario, utilizzare il cavo di sicurezza fornito con la staffa di montaggio per evitare che la telecamera cada.
6. Collegare la telecamera all'anta dell'armadio o, se richiesto, alla staffa della telecamera. Consultare *Specifiche per la stretta delle viti alla pagina 81*.



Armadi Media Converter AXIS T98A-VE

- 1 Collegamento del cavo di alimentazione al Media Converter
- 2 Collegamento del cavo di alimentazione alla telecamera
- 3 Cavo di rete



Variante dell'armadio che utilizza un midspan opzionale

- 1 *Collegamento del cavo di alimentazione al Media Converter*
- 2 *Collegamento del cavo di alimentazione al midspan*
- 3 *Collegamento del cavo di rete alla telecamera*
- 4 *Collegamento del cavo di rete al midspan e al Media Converter*

Specifiche tecniche

Modelli	ARMADIO MEDIA CONVERTER AXIS T98A15-VE A 120 V CA ARMADIO MEDIA CONVERTER AXIS T98A16-VE A 120 V CA ARMADIO MEDIA CONVERTER AXIS T98A17-VE A 120 V CA ARMADIO MEDIA CONVERTER AXIS T98A18-VE A 120 V CA ARMADIO MEDIA CONVERTER AXIS T98A19-VE A 120 V CA ARMADIO MEDIA CONVERTER AXIS T98A15-VE A 230 V CA ARMADIO MEDIA CONVERTER AXIS T98A16-VE A 230 V CA ARMADIO MEDIA CONVERTER AXIS T98A17-VE A 230 V CA ARMADIO MEDIA CONVERTER AXIS T98A18-VE A 230 V CA ARMADIO MEDIA CONVERTER AXIS T98A19-VE A 230 V CA
Alimentazione	Ingresso (120 V CA): 90-175 V CA, max 4 A Ingresso (230 V CA): 90-264 V CA, max 4 A

AXIS T98A-VE Media Converter Cabinet A Series

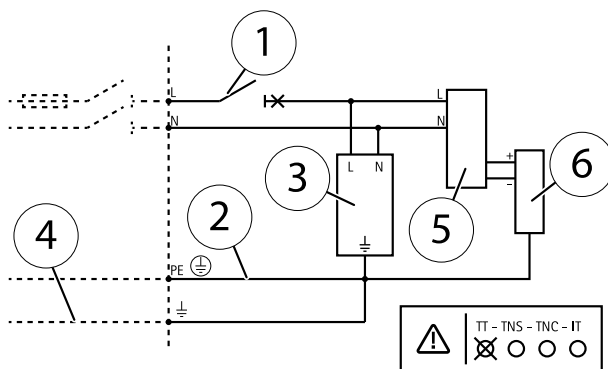
	Uscita AXIS T98A15-VE, AXIS T98A16-VE, AXIS T98A17-VE: 12 V CC, 20 W Uscita AXIS T98A18-VE, AXIS T98A19-VE: uguale alla tensione in ingresso, max 4 A
Connettori	Connettori RJ45 2x (10/100 Mbps) Connettori SFP 2x (100/1000 Mbps) per moduli SFP a fibra ottica o moduli SFP in rame
Alloggiamento	Armadio in policarbonato e piastra di montaggio in acciaio inox colore: bianco NCS S 1002-B e inox
Display e indicatori	Indicatori LED
Ambiente	Per ambienti esterni
Approvazioni	<p>Serie AXIS T98A-VE 230 V:: EN 55022 Classe A EN 55024 EN 61000-3-2 EN 61000-3-3 EN 61000-6-1 EN 61000-6-2 C-Tick AS/NZS CISPR 22 Classe A</p> <p>Serie AXIS T98A-VE 120 V:: FCC Parte 15 Sottosezione B Classe A VCCI Classe A ICES-003 Classe A CISPR22 Classe A</p> <p>AXIS T98A15-VE/T98A16-VE/T98A17-VE: Vibrazione IEC 60068-2-6 4M4 Urti IEC 60068-2-27 4M4</p> <p>AXIS T98A18-VE/T98A19-VE: Vibrazione IEC 60068-2-6 4M3 Urti IEC 60068-2-27 4M3</p> <p>Valide per tutti: EN 50121-4 IEC 62236-4 EN 50581 (RoHS) IEC/EN 60529 IP66 NEMA 250 Tipo 4X IEC/EN 62262 IK10 REACH WEEE CE</p>

AXIS T98A-VE Media Converter Cabinet A Series

Condizioni di funzionamento	Da -40 °C a 65 °C (da -40 °F a 149 °F) 10-100% (umidità relativa con condensa) Per le condizioni di funzionamento dell'armadio Media Converter AXIS T98A18-VE, vedere la specifica tecnica per il midspan AXIS T8124.
Dimensioni (AxPxL)	361 x 282 x 131 mm (14,2 x 11,1 x 5,2 in)
Peso	4,4 kg (9,7 libbre)
Accessori inclusi	Guida all'installazione Guarnizioni per cavi premontati Guide DIN premontate Morsetti dei cavi Coperchio di sicurezza elettrica Fusibile MCB premontato Protezione per sovratensioni premontata Alimentatore 12 V CC premontato Media Converter Per le varianti che utilizzano il midspan: clip DIN per midspan
Accessori opzionali	Parasole AXIS T98A A Interruttore per porta AXIS Staffa angolare AXIS T95A64 Staffa per palo AXIS T95A67 Serratura armadio AXIS A

ITALIANO

Schemi delle connessioni



1 Interruttore/Fusibile 4 A

AXIS T98A-VE Media Converter Cabinet A Series

- 2 *Tensione in ingresso*
- 3 *Dispositivo di protezione contro le sovratensioni 230 V CA o 120 V CA*
- 4 *Saldatura a filo di protezione esterna*
- 5 *Unità di alimentazione*
- 6 *Media Converter*

Ulteriori Informazioni

Visitare il Centro di apprendimento Axis alla pagina www.axis.com/academy per servizi di formazione utili, webinar, tutorial e guide.

Informazioni sulla garanzia

Per informazioni sulla garanzia del dispositivo Axis e informazioni ad esso relative, consultare la pagina www.axis.com/warranty/

Información de seguridad

Lea esta Guía de instalación con atención antes de instalar el producto. Guarde la Guía de instalación para poder consultarla en otro momento.

Niveles de peligrosidad

▲PELIGRO

Indica una situación peligrosa que, si no se evita, provocará lesiones graves o la muerte.

▲ADVERTENCIA

Indica una situación peligrosa que, si no se evita, puede provocar lesiones graves o la muerte.

▲ATENCIÓN

Indica una situación peligrosa que, si no se evita, puede provocar lesiones moderadas o leves.

AVISO

Indica una situación peligrosa que, si no se evita, puede provocar daños materiales.

Otros niveles de mensaje

Importante

Indica información importante que es fundamental para que el producto funcione correctamente.

Nota

Indica información útil que ayuda a aprovechar el producto al máximo.

Instrucciones de seguridad

▲ADVERTENCIA

- El encargado de instalar el producto de Axis debe ser un profesional con experiencia.

AVISO

- El producto de Axis debe utilizarse de acuerdo con la legislación y la normativa locales.
- Almacene el producto de Axis en un entorno seco y ventilado.
- Evite la exposición del producto de Axis a choques o a una fuerte presión.
- No instale el producto en soportes, superficies o paredes inestables.
- Utilice solo las herramientas correspondientes cuando instale el producto de Axis. La aplicación de una fuerza excesiva con herramientas eléctricas puede provocar daños en el producto.
- Utilice solo accesorios que cumplan con las especificaciones técnicas del producto. Estos accesorios los puede proporcionar Axis o un tercero.
- Utilice solo piezas de repuesto proporcionadas o recomendadas por Axis.
- No intente reparar el producto usted mismo. Póngase en contacto con el servicio de asistencia técnica de Axis o con su distribuidor de Axis para tratar asuntos de reparación.

Transporte

AVISO

- Cuando transporte el producto de Axis, utilice el embalaje original o un equivalente para evitar daños en el producto.

Guía de instalación

Esta guía de instalación incluye las instrucciones necesarias para instalar el armario del convertidor de medios AXIS T98A de la serie A.

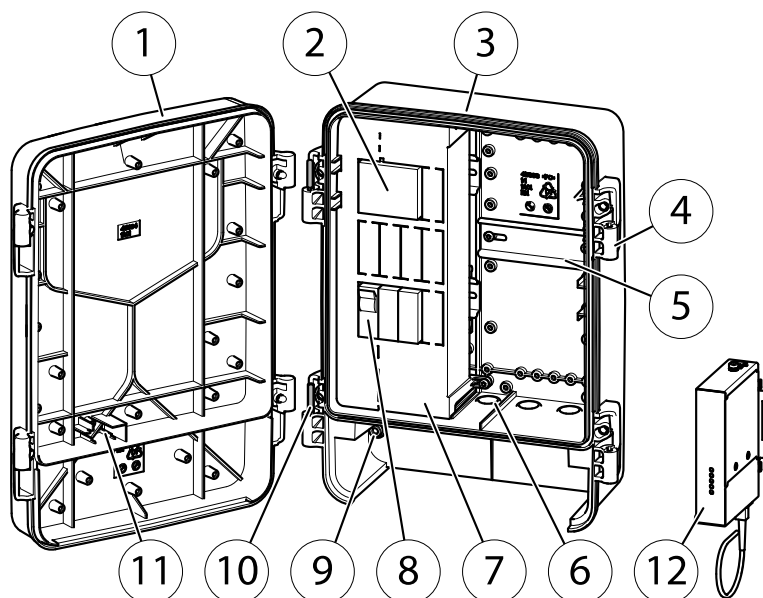
Pasos de la instalación

1. Asegúrese de que dispone del contenido del paquete, las herramientas y los demás materiales necesarios para la instalación. *Vea página 97.*
2. Estudie la información general del hardware. *Vea página 98.*
3. Estudie las especificaciones. *Vea página 103.*
4. Instale el hardware. *Vea página 104.*

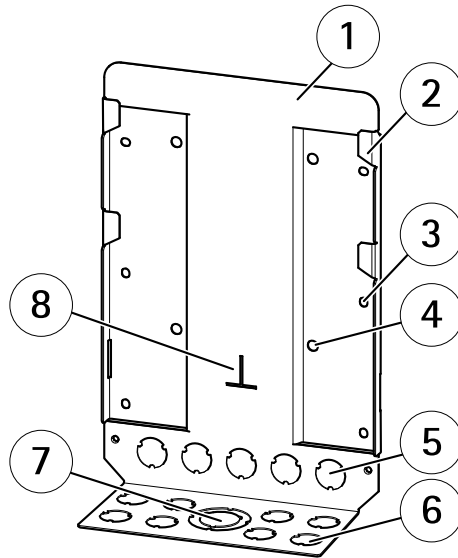
Contenido del paquete

- Armario de vigilancia
 - Armario para convertidor de medios AXIS T98A15-VE A
 - Armario para convertidor de medios AXIS T98A16-VE A
 - Armario para convertidor de medios AXIS T98A17-VE A
 - Armario para convertidor de medios AXIS T98A18-VE A
 - Armario para convertidor de medios AXIS T98A19-VE A
- Guía de instalación (este documento)
- Abrazaderas para cable
- Cubierta de seguridad eléctrica
- Convertidor de medios
- Clip DIN para midspan opcional (válido solo para variantes que utilizan midspan)
- Accesorios opcionales (vea *Especificaciones técnicas*)

Información general del hardware



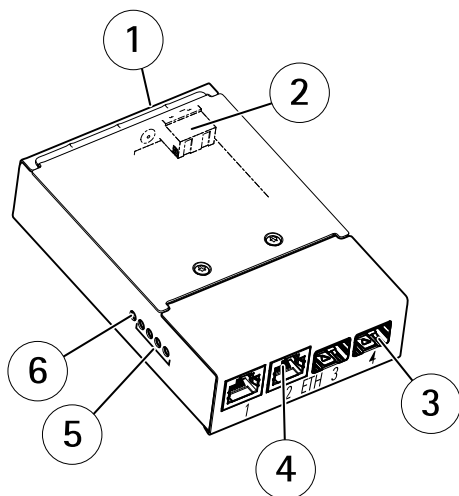
- 1 Puerta del armario
- 2 Fuente de alimentación
- 3 Base del armario
- 4 Bisagras (2 a la izquierda; 2 a la derecha)
- 5 Carril DIN
- 6 Orificio para cable y junta: M25 (3/4"), M20 (1/2") (3)
- 7 Cubierta de seguridad eléctrica
- 8 Kit de seguridad eléctrica
- 9 Tornillos de seguridad (2)
- 10 Ejes de bisagra (2)
- 11 Ranura para interruptor de puerta
- 12 Conversor de medios



Placa de montaje

- 1 Placa de montaje
- 2 Enganche
- 3 Orificio de tornillo para montaje en pared \varnothing 6,55 mm (6)
- 4 Orificio de tornillo para montaje con escuadra \varnothing 8,55 mm (4)
- 5 Orificio ciego M25 (3/4") (5)
- 6 Orificio ciego M25 (3/4") (8)
- 7 Orificio ciego M50 (1 1/2"); M25 (3/4")
- 8 Indicador de alineación

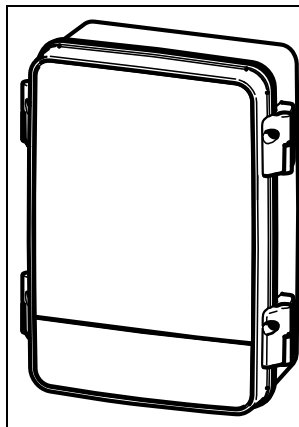
AXIS T98A-VE Media Converter Cabinet A Series



Switch Conversor de Medios de medios AXIS T8604

- 1 Tornillo de tierra
- 2 Conector de corriente (entrada de CC)
- 3 Conectores de red SFP
- 4 Conectores de red RJ45
- 5 Indicadores LED de red
- 6 Indicador LED de corriente

Descripción general de la interfaz

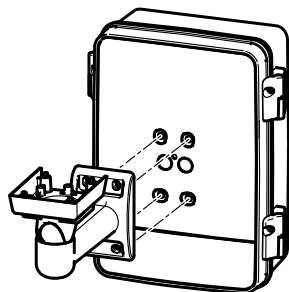


En todas las variantes se incluye:

- Abrazadera para cable (1)
- Abrazadera para cable (5)
- Abrazadera para cable (2)
- Tornillo (6)
- Tornillo (2)

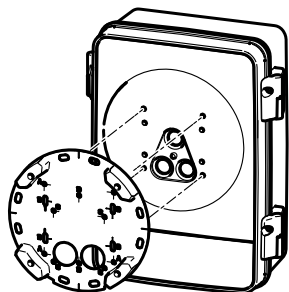
AXIS T98A-VE Media Converter Cabinet A Series

Armario para Conversor de Medios AXIS T98A15-VE A



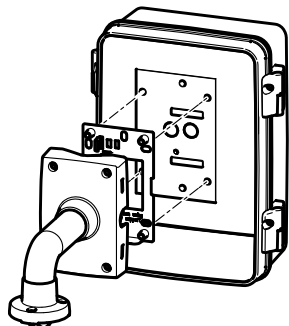
- Tornillo T30 (4)
- Arandela (4)
- Junta de cable M20 (2)

Armario para Conversor de Medios AXIS T98A16-VE A



- Tornillo T20 (4)
- Arandela (4)
- Junta de cable M20 (3)

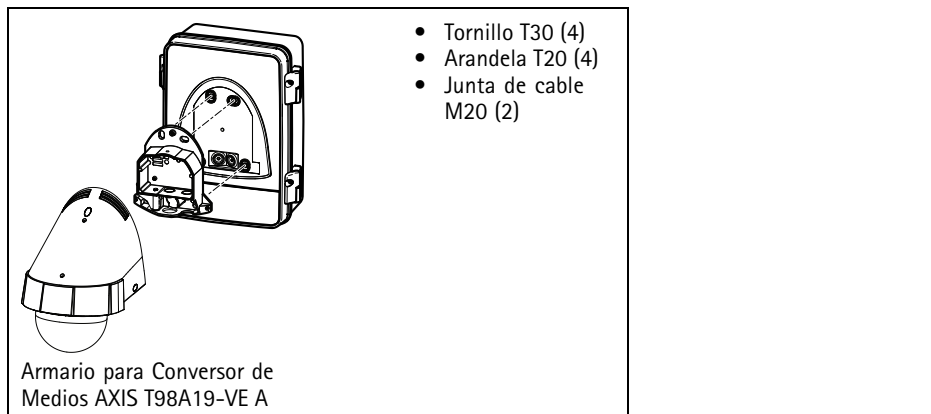
Armario para Conversor de Medios AXIS T98A17-VE A



- Tornillo T30 (6)
- Arandela (6)
- Junta de cable M20 (2)

Armario para Conversor de Medios AXIS T98A18-VE A

AXIS T98A-VE Media Converter Cabinet A Series



Indicadores LED del convertor de medios

LED	Color	Indicación
Alimentación	Apagado	Alimentación CC sin conectar o protección de corriente bloqueada (potencia excesiva).
	Verde	Alimentación CC conectada.
Red (4x)	Ámbar	Conexión de 10 Mbits. Parpadea durante la actividad.
	Verde	Conexión de 100/1000 Mbits. Parpadea durante la actividad.

Conectores y botones

Para conocer las especificaciones y las condiciones de funcionamiento, vea *página 103*.

Conector de red

Conector Ethernet RJ45.

La unidad solo puede utilizar una interfaz de red, ya sea un módulo SFP o un conector RJ45. El módulo SFP tiene mayor prioridad que el conector RJ45.

Especificaciones

Condiciones de funcionamiento

El producto de Axis se ha creado para su uso en exteriores.

Producto	Temperatura	Humedad
Armario del conversor de medios AXIS T98A-VE serie A*	De -40 °C a 65 °C	Humedad relativa del 10 al 100 % (con condensación)

* Para variantes que utilizan midspan, vea las especificaciones técnicas del midspan actual.

Especificación de par de apriete de tornillos

Tornillo	Par de apriete	
Para fijar la base del armario a la placa de montaje	3,0 Nm \pm 0,2	2,21 lb-ft \pm 0,15
Para acoplar la cubierta de seguridad eléctrica a la base del armario	0,8 Nm \pm 0,1	0,59 lb-ft \pm 0,07
Para acoplar la puerta del armario a la base del armario	3,5 Nm \pm 0,2	2,58 lb-ft \pm 0,15
Tornillos para fijar, por ejemplo, las abrazaderas para cables y los carriles DIN dentro del armario	0,8 Nm \pm 0,1	0,59 lb-ft \pm 0,07
Para acoplar la abrazadera de la cámara de red a la puerta del armario AXIS T98A16-VE	3,0 Nm \pm 0,2	2,21 lb-ft \pm 0,15
Para acoplar la abrazadera de la cámara de red a la puerta del armario AXIS T98A17-VE	1,2 Nm \pm 0,2	0,89 lb-ft \pm 0,15

AXIS T98A-VE Media Converter Cabinet A Series

Para acoplar la abrazadera de la cámara de red a la puerta del armario AXIS T98A18-VE	3,0 Nm \pm 0,2	2,21 lb-ft \pm 0,15
Para acoplar la abrazadera de la cámara de red a la puerta del armario AXIS T98A19-VE	3,0 Nm \pm 0,2	2,21 lb-ft \pm 0,15

Instalación del hardware

AVISO

- Para evitar la condensación, no monte o desmonte el producto en condiciones de lluvia.

Nota

- Las bisagras tienen un tope que bloquea la puerta del armario a 105°.
- Para una instalación más sencilla, la puerta del armario se puede quitar mientras se monta la base del armario.

Instalación de la placa de montaje

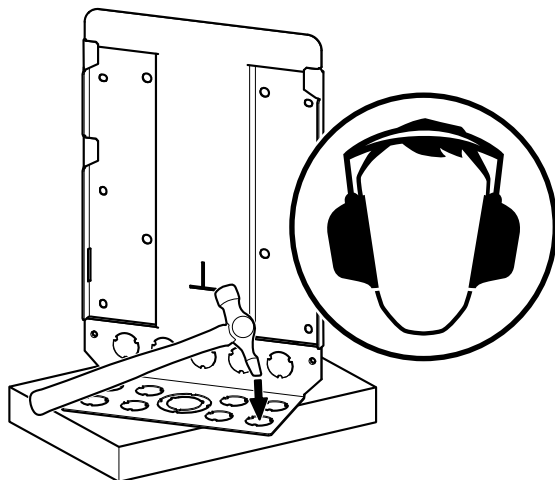
Nota

- Para los cables guiados desde abajo, utilice los orificios ciegos inferiores. Para los cables guiados desde atrás, utilice los orificios ciegos traseros.

1. Instale la placa de montaje según las instrucciones que la acompañan. Si es necesario perforar, asegúrese de usar brocas, tornillos y tacos adecuados para el material.

Extraiga los orificios ciegos de la siguiente manera:

2. Apoye la placa de montaje para asegurarse de que permanece plana y no se dobla al retirar los orificios ciegos.
3. Golpee el orificio ciego con un martillo que tenga algo de punta hasta que salte hacia fuera.

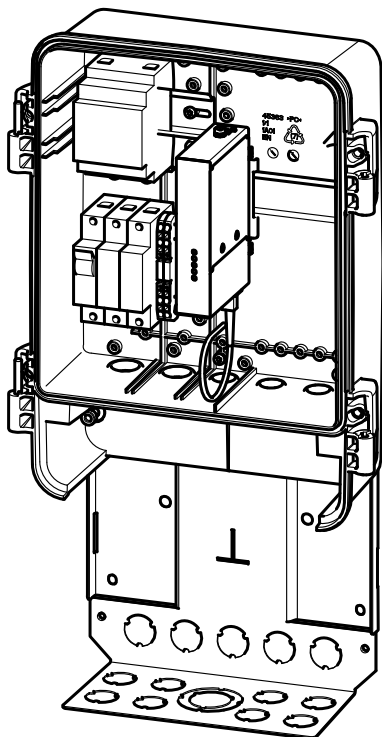


4. Monte la placa de montaje en la pared o en la escuadra seleccionada.

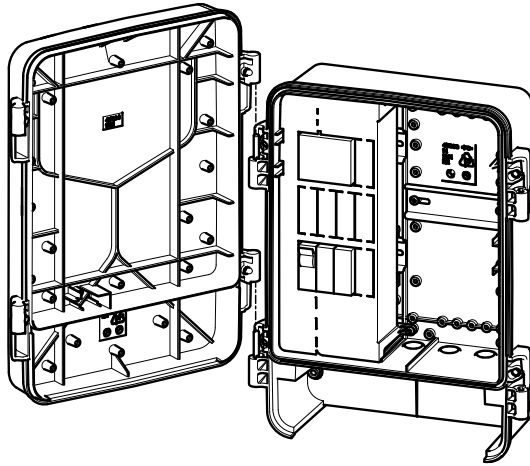
Instalación de la base del armario

1. Abra los orificios preperforados o troquelados para los cables en la base del armario. Las marcas indican dónde pueden troquelarse o perforarse los orificios para los cables.
2. Instale el convertor de medios, vea *Instalación del convertor de medios en la página 107*.
3. Para variantes que utilizan midspan: Instale el midspan, vea *Instalación del midspan en la página 108*.
4. Cuelgue la base del armario en los enganches de la placa de montaje. Alinee el extremo inferior del armario con el indicador de alineación para facilitar el acceso durante la conexión de los cables (vea la siguiente ilustración).

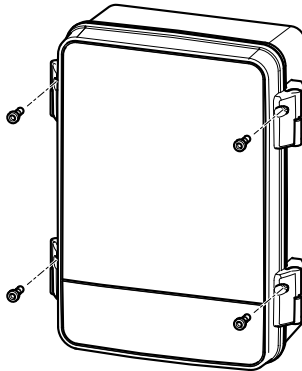
AXIS T98A-VE Media Converter Cabinet A Series



5. Conecte los cables, vea *Conexión de los cables en la página 108*.
6. Deslice la base del armario hasta la posición inferior.
7. Asegúrela la base del armario a la placa de montaje con los tornillos de seguridad.
8. Mueva los ejes de las bisagras hacia el lado que prefiera y cuelgue la puerta de las bisagras, vea la siguiente ilustración.



9. Instale la cámara de red, vea *Instalación de la cámara de red en la página 112*.
10. Fije la puerta del armario con los tornillos como se muestra en la siguiente ilustración.



Instalación del convertor de medios

Vea *Información general del hardware en la página 98* para conocer la ubicación de los componentes.

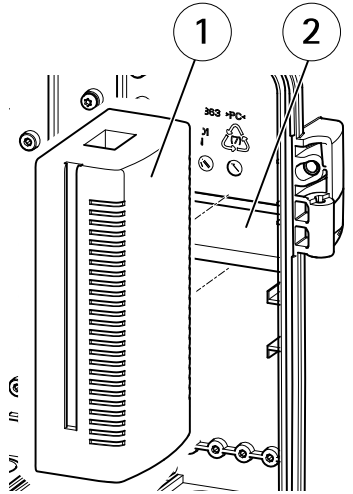
Acople el convertor de medios al carril DIN del armario.

Instalación del midspan

Nota

Esta instrucción solo es válida para las variantes que utilizan midspan.

1. Acople al midspan el clip DIN que se incluye. Consulte la guía de instalación del midspan.
2. Acople el midspan al carril DIN.



- 1 Midspan
- 2 Carril DIN

Conexión de los cables

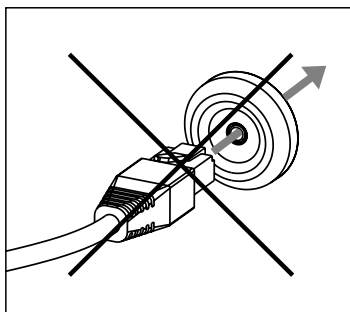
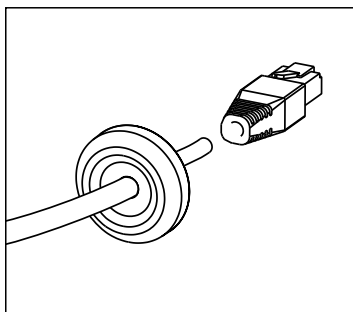
⚠PELIGRO

- Las conexiones eléctricas y las instalaciones de los conductos debe realizarlas un electricista cualificado, de conformidad con la normativa local.
- No conecte la fuente de alimentación a la red principal hasta que haya concluido la instalación.

AVISO

- Las juntas de cable deben estar colocadas en todos los orificios de cables abiertos en la base del armario para mantener la clasificación IP del producto. Si los orificios no están sellados, el agua puede penetrar en el armario y provocar daños en los dispositivos que se encuentran en su interior.
- Los cables guiados a través de las juntas M20 deben tener un diámetro de 3,5 mm – 12,5 mm.
- Los cables guiados a través de las juntas M25 deben tener un diámetro de 9,1 mm – 12,5 mm.
- Los cables de señal y los de corriente deben estar separados siempre dentro del armario.
- No fuerce el conector en la junta.
- Utilice el cable para perforar un orificio en la junta. No utilice un cuchillo ni ningún objeto afilado que pueda dañar la junta.

Para preparar un cable con una junta, empuje suavemente el cable a través de la junta y acople el conector adecuado.



Conexión de los cables de alimentación

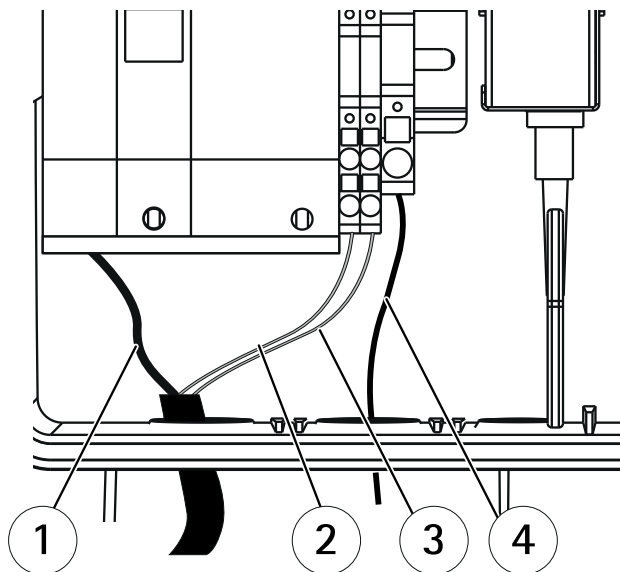
AVISO

- Este equipo está permanentemente conectado. Debe incorporarse externamente al equipo un dispositivo de desconexión accesible.
- El dispositivo de desconexión proporcionado de manera externa al equipo debe ser un dispositivo de desconexión de dos polos, que desconecte tanto la línea como el cable neutro.
- Se recomienda utilizar un cable de conexión de protección externo con un área mínima de 6 mm² (AWG 10) para interior y un área mínima de 10 mm² (AWG 8) para exterior.

Para conocer el diagrama de conexiones, vea *Diagramas de conexión en la página 116*.

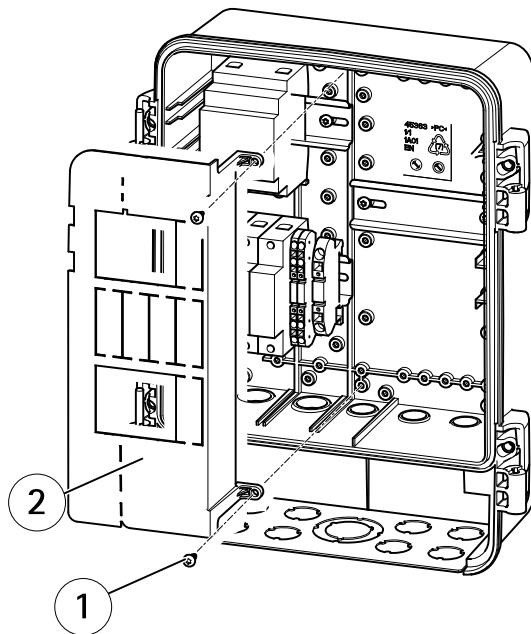
AXIS T98A-VE Media Converter Cabinet A Series

1. Retire la cubierta de seguridad eléctrica.
2. Guíe los cables necesarios para la instalación a través de los conductos (no incluidos), las juntas de cable y los orificios para los cables.
3. Acople las juntas de cable en los orificios de cable.
4. Conecte los tres cables de tensión de red entrante y el cable de conexión de protección externo como se muestra en la ilustración.



- 1 Línea
- 2 Neutro
- 3 Cable de tierra
- 4 Cable de conexión de protección externo

5. Fije la cubierta de seguridad eléctrica utilizando los tornillos facilitados (par de apriete 0,8 Nm \pm 0,1).



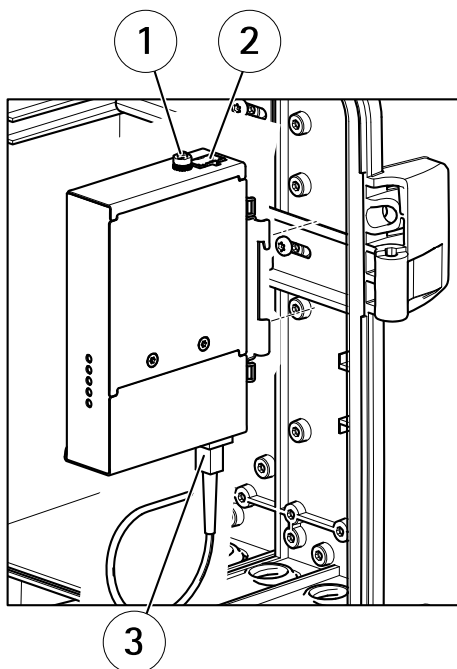
- 1 Tornillo T20 (2)
- 2 Cubierta de seguridad eléctrica

Conexión de los cables del convertor de medios

Nota

El convertor de medios se conectará utilizando cables de red blindados (STP) diseñados para su uso específico. Asegúrese de que el conmutador disponga de una conexión a tierra adecuada. Consulte Compatibilidad electromagnética (EMC) para obtener información sobre los requisitos normativos.

1. Conecte el cable de tierra al tornillo de tierra.
2. Conecte los cables de red a los conectores de red (RJ45 y SFP) según corresponda.
3. Conecte el cable de alimentación al conector de alimentación (entrada de CC).



- 1 Tornillo de tierra
- 2 Conector de corriente (entrada de CC)
- 3 Cable de red

Conexión de los cables del midspan

Nota

Esta instrucción solo es válida para las variantes que utilizan midspan.

1. Conecte un cable de red entre el midspan (entrada de datos) y el convertor de medios.
2. Conecte el cable de alimentación premontado al conector de alimentación.

Instalación de la cámara de red

La cámara de red se vende por separado.

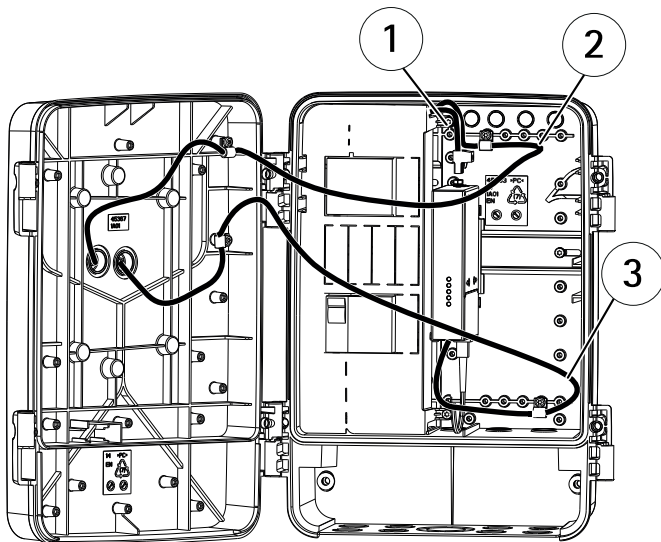
Nota

Al guiar los cables, asegúrese de que la holgura del cable sea lo suficientemente larga para que la puerta se pueda abrir por completo.

AXIS T98A-VE Media Converter Cabinet A Series

Vea las siguientes ilustraciones para la guía de los cables.

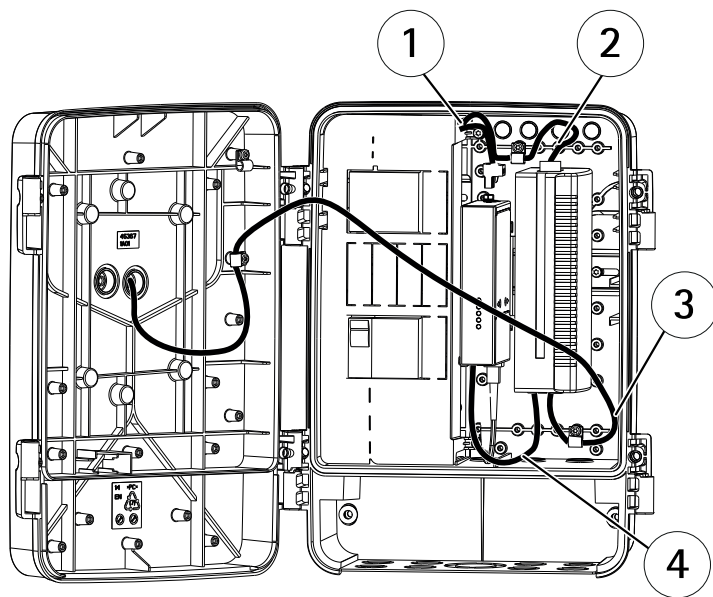
1. Guíe los cables de red y de alimentación a través de la puerta del armario y la escuadra de la cámara.
2. Para variantes que utilizan midspan: Conecte el midspan (conexión de salida datos y alimentación) a la cámara mediante el cable de red que se ha conectado a la cámara.
3. Conecte el cable de alimentación desde el armario del conversor de medios a la cámara.
4. Conecte el cable de red desde el conversor de medios a la cámara.
5. Si se encuentra disponible, utilice el cable de seguridad con la escuadra de montaje para evitar que la cámara se caiga.
6. Sujete la cámara a la puerta del armario o, si es posible, a la escuadra de la cámara. Vea *Especificación de par de apriete de tornillos en la página 103*.



Armarios para conversores de medios AXIS T98A-VE

- 1 *Cable de alimentación al conversor de medios*
- 2 *Cable de alimentación a la cámara*
- 3 *Cable de red*

AXIS T98A-VE Media Converter Cabinet A Series



Variante de armario que utiliza midspan opcional

- 1 Cable de alimentación al convertor de medios
- 2 Cable de alimentación al inyector
- 3 Cable de red a la cámara
- 4 Cable de red entre el midspan y el convertor de medios

Especificaciones técnicas

Modelos	ARMARIO DEL CONVERTOR DE MEDIOS AXIS T98A15-VE A 120 V CA ARMARIO DEL CONVERTOR DE MEDIOS AXIS T98A16-VE A 120 V CA ARMARIO DEL CONVERTOR DE MEDIOS AXIS T98A17-VE A 120 V CA ARMARIO DEL CONVERTOR DE MEDIOS AXIS T98A18-VE A 120 V CA ARMARIO DEL CONVERTOR DE MEDIOS AXIS T98A19-VE A 120 V CA ARMARIO DEL CONVERTOR DE MEDIOS AXIS T98A15-VE A 230 V CA ARMARIO DEL CONVERTOR DE MEDIOS AXIS T98A16-VE A 230 V CA ARMARIO DEL CONVERTOR DE MEDIOS AXIS T98A17-VE A 230 V CA ARMARIO DEL CONVERTOR DE MEDIOS AXIS T98A18-VE A 230 V CA ARMARIO DEL CONVERTOR DE MEDIOS AXIS T98A19-VE A 230 V CA
Alimentación	Entrada (120 V CA): 90-175 V CA, 4 A máx. Entrada (230 V CA): 90-264 V CA, 4 A máx.

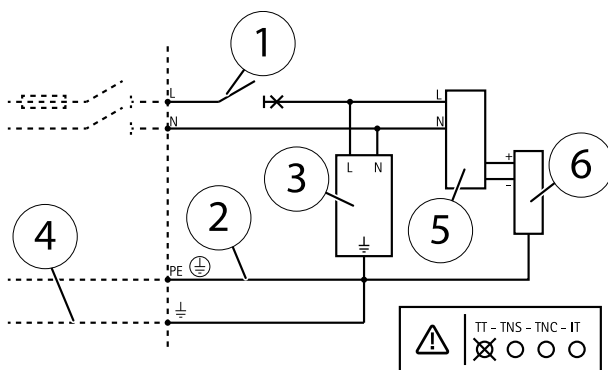
AXIS T98A-VE Media Converter Cabinet A Series

	Salida AXIS T98A15-VE, AXIS T98A16-VE, AXIS T98A17-VE : 12 V CC, 20 W Salida AXIS T98A18-VE, AXIS T98A19-VE : igual a tensión de entrada, máx. 4 A
Conectores	2 conectores RJ45 (10/100 Mbps) 2 conectores SFP (100/1000 Mbps) para los módulos de fibra óptica SFP o módulos de SFP a cobre
Carcasa	Armario de policarbonato y placa de montaje de acero inoxidable Color: blanco NCS 1002-B y acero inoxidable
Pantalla e indicadores	Indicadores LED
Entorno	Para exteriores
Homologaciones	<p>Serie AXIS T98A-VE 230 V:: EN 55022 Clase A EN 55024 EN 61000-3-2 EN 61000-3-3 EN 61000-6-1 EN 61000-6-2 C-Tick AS/NZS CISPR 22 Clase A</p> <p>Serie AXIS T98A-VE 120 V:: FCC Parte 15 Subparte B Clase A VCCI Clase A ICES-003 Clase A CISPR22 Clase A</p> <p>AXIS T98A15-VE/T98A16-VE/T98A17-VE: IEC 60068-2-6 Vibración 4M4 IEC 60068-2-27 Golpes 4M4</p> <p>AXIS T98A18-VE/T98A19-VE: IEC 60068-2-6 Vibración 4M3 IEC 60068-2-27 Golpes 4M3</p> <p>Válido para todas: EN 50121-4 IEC 62236-4 EN 50581 (RoHS) IEC/EN 60529 IP66 NEMA 250 Tipo 4X IEC/EN 62262 IK10 REACH WEEE CE</p>

AXIS T98A-VE Media Converter Cabinet A Series

Condiciones de funcionamiento	De -40 °C a 65°C Humedad relativa del 10 al 100 % (con condensación) Para conocer las condiciones de funcionamiento del armario para el convertor de medios AXIS T98A18-VE, consulte las especificaciones técnicas para el inyector AXIS T8124.
Dimensiones (al. x an. x la.)	361 x 282 x 131 mm
Peso	4,4 kg
Accesorios incluidos	Guía de instalación Juntas de cable premontadas Carriles DIN premontados Abrazaderas para cable Cubierta de seguridad eléctrica Fusible MCB premontado Protección contra sobretensiones premontada Fuente de alimentación de 12 V CC premontada Convertor de medios Para variantes que utilizan midspan: Clip DIN para midspan
Accesorios opcionales	Parasol AXIS T98A A Interruptor de puerta AXIS Escuadra de esquina AXIS T95A64 Poste en escuadra AXIS T95A67 Candado para armario AXIS A

Diagramas de conexión



- 1 Disyuntor/Fusible 4 A
- 2 Tensión de red entrante

- 3 *Protector contra sobretensiones 230 V CA o 120 V CA*
- 4 *Cable de conexión de protección externo*
- 5 *Unidad de fuente de alimentación*
- 6 *Conversor de medios*

Más información

Visite el centro de aprendizaje de www.axis.com/academy para consultar guías, tutoriales, seminarios web y cursos que pueden resultarle útiles.

Información de garantía

Para obtener más detalles sobre la garantía del producto Axis y la información relacionada con ella, consulte www.axis.com/warranty/

安全情報

本製品を設置する前に、このインストールガイドをよくお読みください。インストールガイドは、後で参照できるように保管しておいてください。

危険レベル

▲危険

回避しない場合、死亡または重傷につながる危険な状態を示します。

▲警告

回避しない場合、死亡または重傷につながるおそれのある危険な状態を示します。

▲注意

回避しない場合、軽傷または中程度の怪我につながるおそれのある危険な状態を示します。

注記

回避しない場合、器物の破損につながるおそれのある状態を示します。

その他のメッセージレベル

重要

製品を正しく機能させるために不可欠な重要情報を示します。

注意

製品を最大限に活用するために役立つ有用な情報を示します。

安全手順

▲警告

- 本製品の設置は、訓練を受けた専門技術者が行ってください。

注記

- 本製品は、お使いになる地域の法律や規制に準拠して使用してください。
- 本製品は乾燥した換気のよい環境に保管してください。
- 本製品に衝撃または強い圧力を加えないでください。
- 本製品を不安定なブラケット、表面、または壁に設置しないでください。
- 本製品を設置する際には、適切な工具のみを使用してください。電動工具を使用して過剰な力をかけると、製品が損傷することがあります。
- 製品の技術仕様に準拠したアクセサリのみを使用してください。これらのアクセサリは、Axisまたはサードパーティから入手できます。
- Axisが提供または推奨する交換部品のみを使用してください。
- 製品を自分で修理しないでください。修理については、Axisサポートまたは販売代理店にお問い合わせください。

輸送

注記

- 本製品を運搬する際は、製品が損傷しないよう、元の梱包か同等の梱包を使用してください。

インストールガイド

このインストールガイドでは、AXIS T98AメディアコンバータキャビネットAシリーズの取り付け方法について説明します。

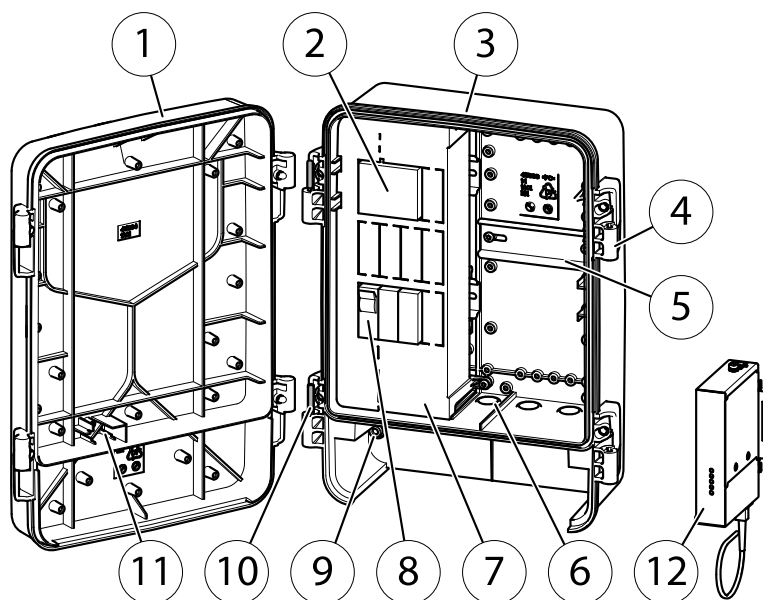
設置手順

1. パッケージの内容、ツールなど、設置に必要な物がそろっているかを確認します。121ページを参照してください。
2. 「ハードウェアの概要」をよく読みます。122ページを参照してください。
3. 「仕様」をよく読みます。127ページを参照してください。
4. ハードウェアを設置します。128ページを参照してください。

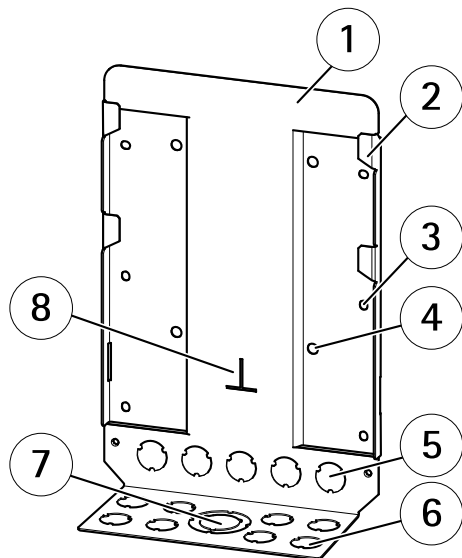
パッケージの内容

- 監視キャビネット
 - AXIS T98A15-VEメディアコンバータキャビネットA
 - AXIS T98A16-VEメディアコンバータキャビネットA
 - AXIS T98A17-VEメディアコンバータキャビネットA
 - AXIS T98A18-VEメディアコンバータキャビネットA
 - AXIS T98A19-VEメディアコンバータキャビネットA
- インストールガイド(本書)
- ケーブルクランプ
- 電気安全カバー
- メディアコンバータ
- オプションのミッドスパン用DINクリップ(ミッドスパンを使用するモデルの場合のみ)
- オプションアクセサリ(技術仕様を参照)

ハードウェアの概要



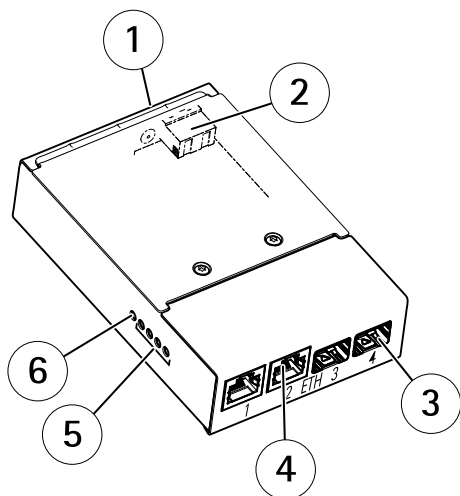
- 1 キャビネットドア
- 2 電源
- 3 キャビネットベース
- 4 ヒンジ(左側×2、右側×2)
- 5 DINレール
- 6 ケーブル孔とガスケット: M25 (3/4")、M20 (1/2")×3
- 7 電気安全カバー
- 8 電気安全キット
- 9 固定ネジ×2
- 10 ヒンジピン×2
- 11 ドアスイッチ用スロット
- 12 メディアコンバータ



取り付けプレート

- 1 取り付けプレート
- 2 フック
- 3 壁取り付け用ネジ孔 $\phi 6.55 \text{ mm} \times 6$
- 4 ブラケット取り付け用ネジ孔 $\phi 8.55 \text{ mm} \times 4$
- 5 ノックアウト孔 M25 \times 5
- 6 ノックアウト孔 M25 \times 8
- 7 ノックアウト孔 M50、M25
- 8 位置合わせ用インジケーター

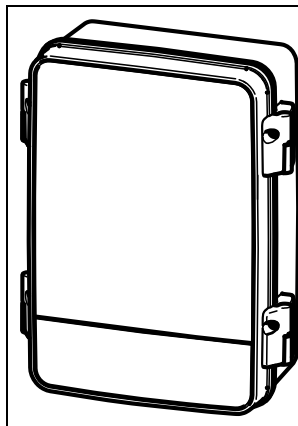
AXIS T98A-VE Media Converter Cabinet A Series



AXIS T8604メディアコンバータスイッチ

- 1 アース端子ネジ
- 2 電源コネクタ (DC入力)
- 3 ネットワークコネクタ (SFP)
- 4 ネットワークコネクタ (RJ45)
- 5 ネットワークLEDインジケータ
- 6 電源LEDインジケータ

インターフェースの概要

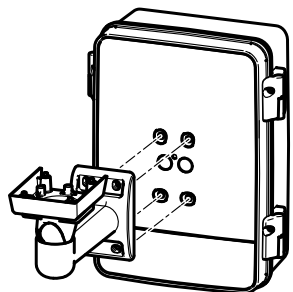


全モデル共通:

- ケーブルクランプx1
- ケーブルクランプx5
- ケーブルクランプx2
- ネジx6
- ネジx2

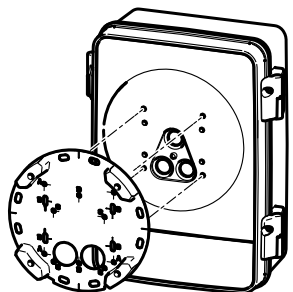
AXIS T98A-VE Media Converter Cabinet A Series

AXIS T98A15-VEメディア
コンバータキャビネットA



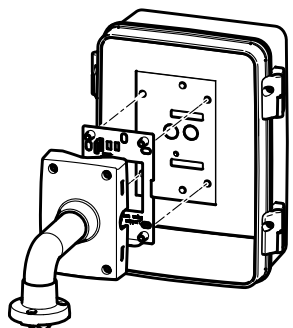
- ネジT30x4
- ワッシャ×4
- ケーブルガスケットM20x2

AXIS T98A16-VEメディア
コンバータキャビネットA



- ネジT20x4
- ワッシャ×4
- ケーブルガスケットM20×3

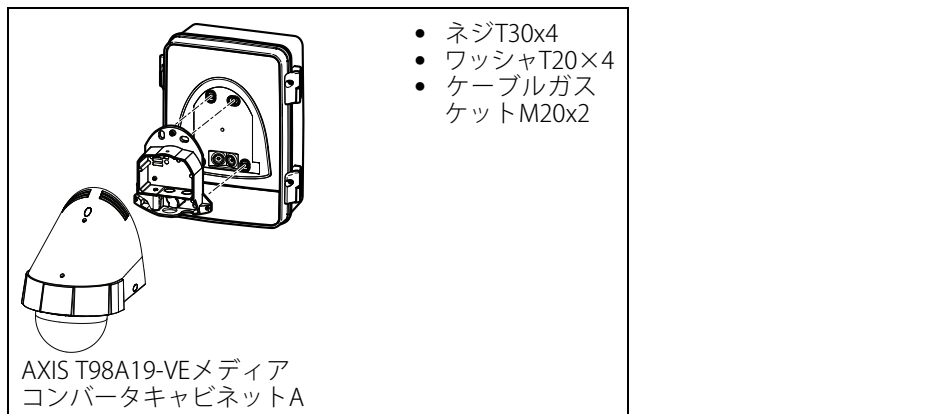
AXIS T98A17-VEメディア
コンバータキャビネットA



- ネジT30x6
- ワッシャ×6
- ケーブルガスケットM20x2

AXIS T98A18-VEメディア
コンバータキャビネットA

AXIS T98A-VE Media Converter Cabinet A Series



メディアコンバータLEDインジケータ

LED	色	説明
電源	無点灯	DC電源未接続または過電流保護(電力過負荷状態)時は、無点灯のままです。
	緑	DC電源接続時に点灯します。
ネットワーク×4	黄	10 Mbit接続時に点灯します。通信時には点滅します。
	緑	100/1000 Mbit接続時に点灯します。通信時には点滅します。

コネクタとボタン

仕様と動作条件については、127ページを参照してください。

ネットワークコネクタ

RJ45イーサネットコネクタ。

本製品では、ネットワークインターフェースとして、SFPモジュール、RJ45コネクタのどちらかのみを使用できます。SFPモジュールは、RJ45コネクタに優先します。

仕様

動作条件

本製品は屋外対応モデルです。

製品	温度	湿度
AXIS T98A-VE メディアコン バータキャビ ネットAシリー ズ*	-40 ° C ~ 65 ° C	10 ~ 100% RH (結露可)

* ミッドスパンを使用するモデルの場合、現行のミッドスパンについては技術仕様を参照してください。

ネジの締付トルクの仕様

ネジ	トルク	
キャビネットベースの取り付けプレートへの固定	3.0 Nm ±0.2	2.21 lb-ft ±0.15
電気安全カバーのキャビネットベースへの固定	0.8 Nm ±0.1	0.59 lb-ft ±0.07
キャビネットドアのキャビネットベースへの固定	3.5 Nm ±0.2	2.58 lb-ft ±0.15
キャビネット内でケーブルクランプやDINレールなどを取り付けるネジ	0.8 Nm ±0.1	0.59 lb-ft ±0.07
ネットワークカメラブラケットのAXIS T98A16-VEキャビネットドアへの固定	3.0 Nm ±0.2	2.21 lb-ft ±0.15
ネットワークカメラブラケットのAXIS T98A17-VEキャビネットドアへの固定	1.2 Nm ±0.2	0.89 lb-ft ±0.15

AXIS T98A-VE Media Converter Cabinet A Series

ネットワークカメラブラケットのAXIS T98A18-VEキャビネットドアへの固定	3.0 Nm \pm 0.2	2.21 lb-ft \pm 0.15
ネットワークカメラブラケットのAXIS T98A19-VEキャビネットドアへの固定	3.0 Nm \pm 0.2	2.21 lb-ft \pm 0.15

ハードウェアの設置

注記

- 結露の防止のため、雨天時に製品の組み立てまたは解体を行わないでください。

注意

- キャビネットドアの開放時、ヒンジによって105°で固定されます。
- 取り付けを容易にするため、キャビネットベースの取り付け時にキャビネットドアを取り外すことができます。

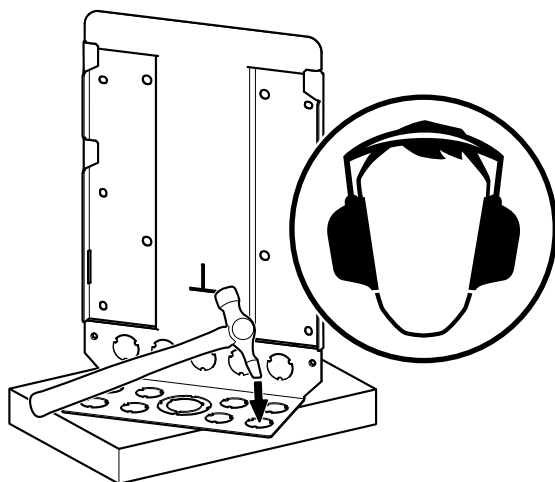
取り付けプレートの取り付け

注意

- 下からケーブルを配線する場合は、下部のロックアウト孔を使用します。背後からケーブルを配線する場合は、背面のロックアウト孔を使用します。
- 取り付けプレートに付属の説明書に従って、取り付けプレートを取り付けます。ドリルによる穴開けが必要な場合は、素材に適したドリルビット、ネジ、プラグを使用してください。

以下の手順に従って、ロックアウト孔の蓋を取り外します。

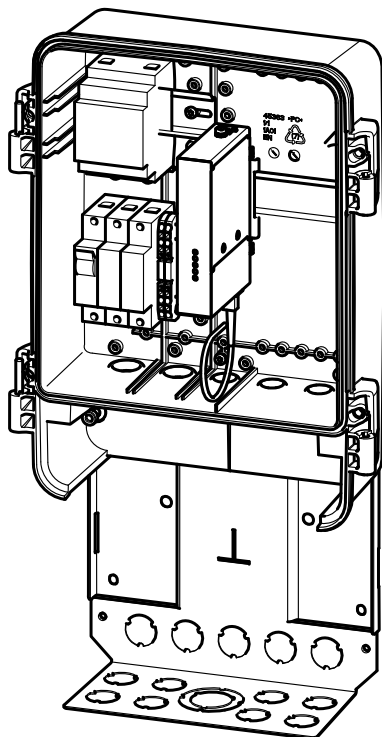
- ロックアウト孔の蓋を取り外す際に、取り付けプレートが曲がらないように支えを使用してください。
- ロックアウト孔の蓋をクロスペインハンマーで叩き、抜き出します。



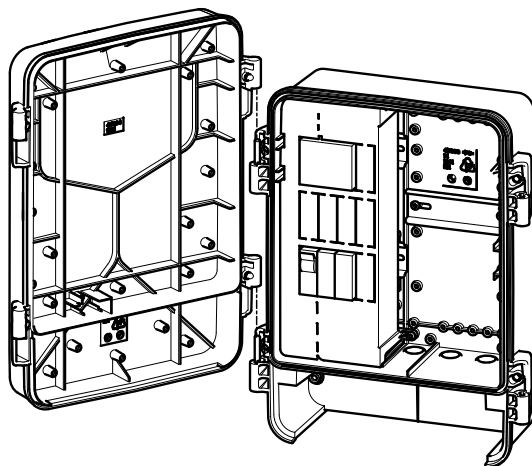
4. 取り付けプレートを壁または選択したブラケットに取り付けます。

キャビネットベースの取り付け

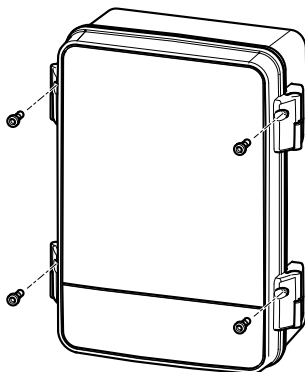
1. キャビネットベースのケーブル用ドリルアウトまたはカットアウトを開きます。ケーブル孔をドリルアウトまたはカットアウトできる場所には印が付いています。
2. メディアコンバータの取り付けについては、131ページの、メディアコンバータの取り付けを参照してください。
3. ミッドスパンを使用するモデルの場合: ミッドスパンの取り付けについては、132ページの、ミッドスパンの取り付けを参照してください。
4. キャビネットベースを、取り付けプレートのフックに掛けます。ケーブルの接続を容易にするため、下図を参照して、キャビネットの下端を位置合わせ用インジケーターに合わせます。



5. ケーブルを接続します (132ページの、ケーブルの接続を参照)。
6. キャビネットベースを底部までスライドさせます。
7. ネジをしっかりと締めてキャビネットベースを取り付けプレートに固定します。
8. ヒンジピンを左右いずれかのヒンジに移動し、下図を参照して、キャビネットドアをヒンジに掛けます。



9. ネットワークカメラを取り付けます (136ページの、ネットワークカメラの取り付けを参照)。
10. 下図を参照して、キャビネットドアをネジで固定します。



メディアコンバータの取り付け

コンポーネントの位置については、122ページの、ハードウェアの概要を参照してください。

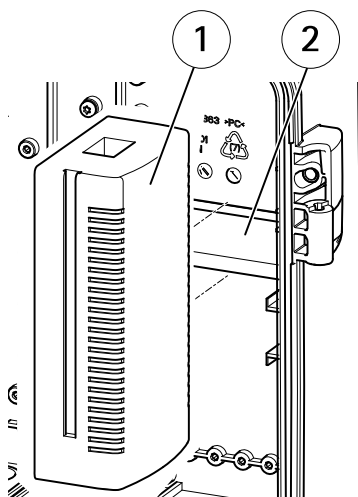
メディアコンバータをキャビネットのDINレールに取り付けます。

ミッドスパンの取り付け

注意

以下の手順は、ミッドスパンを使用するモデルの場合のみ有効です。

1. 製品に同梱のDINクリップをミッドスパンに取り付けます。ミッドスパンのインストールガイドを参照してください。
2. ミッドスパンをDINレールに取り付けます。



- 1 ミッドスパン
- 2 DINレール

ケーブルの接続

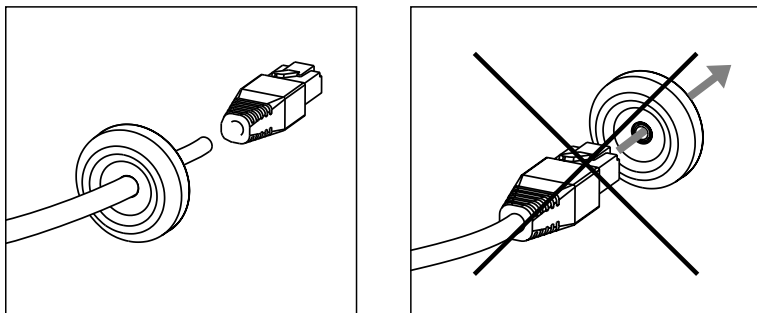
▲危険

- 電気接続およびコンジットの取り付けは、必ず資格のある電気技師が地域の規制に従って行ってください。
- 設置が完了するまで、外部電源アダプタを主電源に接続しないでください。

注記

- 製品のIP定格を維持するため、キャビネットベースの開いたケーブル孔すべてにケーブルガスケットを取り付けてください。ケーブル孔を密封しないと、キャビネットに浸水して、内部の装置が破損することがあります。
- M20ガスケットを通して配線する場合は、直径3.5～12.5 mmのケーブルを使用してください。
- M25ガスケットを通して配線する場合は、直径9.1～12.5 mmのケーブルを使用してください。
- キャビネット内では、信号ケーブルと電源ケーブルを分離してください。
- 無理にコネクタをガスケットに通さないでください。
- ガスケットの穴を通過できるケーブルを使用してください。ナイフやその他の尖った物でガスケットを傷つけないでください。

ケーブルにガスケットを取り付けるときは、ケーブルにあまり力を掛けずにガスケットに通し、適切なコネクタを取り付けます。



電源ケーブルの接続

注記

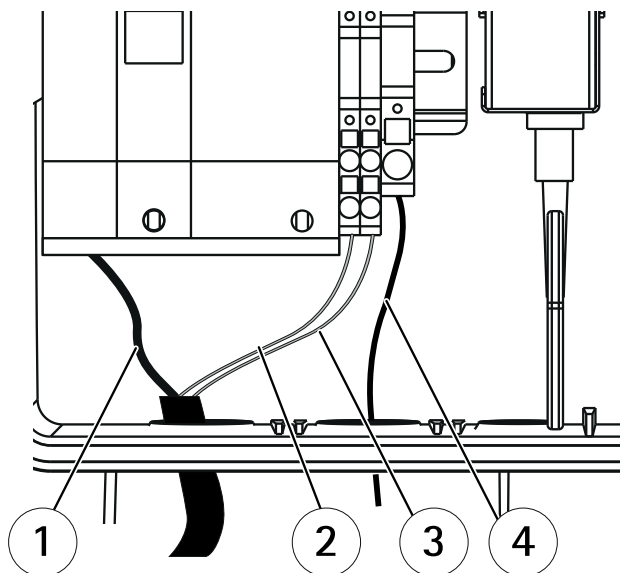
- 永続的に接続された装置です。すぐにアクセスできる断路装置を外部から装置に組み込む必要があります。
- 装置に外付けする断路装置には二極式の断路装置を使用して、ラインと中性線を切断してください。
- 最小面積を屋内用途では6 mm² (AWG 10)、野外用途では10 mm² (AWG 8) とする場合、外部保護ボンディングワイヤを使用することをお勧めします。

接続図については、141ページの、[接続図](#)を参照してください。

1. 電気安全カバーを取り外します。

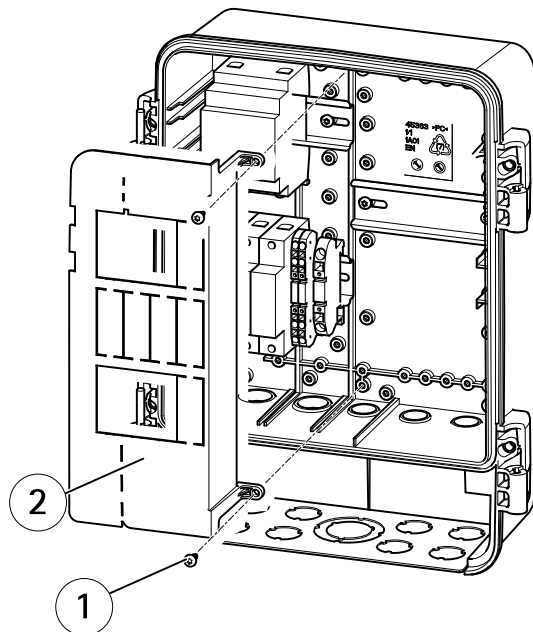
AXIS T98A-VE Media Converter Cabinet A Series

2. 設置に必要なケーブルを導管 (添付されていません)、ケーブルガasket およびケーブル孔に配線します。
3. ケーブルガasketをケーブル孔に取り付けます。
4. 3本の入力メイン電圧ケーブルと外部被覆付きボンディングワイヤーを下図のように接続します。



- 1 ライン
- 2 ニュートラル
- 3 グランドケーブル
- 4 外部被覆付きボンディングワイヤー

5. 付属のネジを使用して、電気安全カバーを取り付けます (トルク0.8 Nm \pm 0.1)。



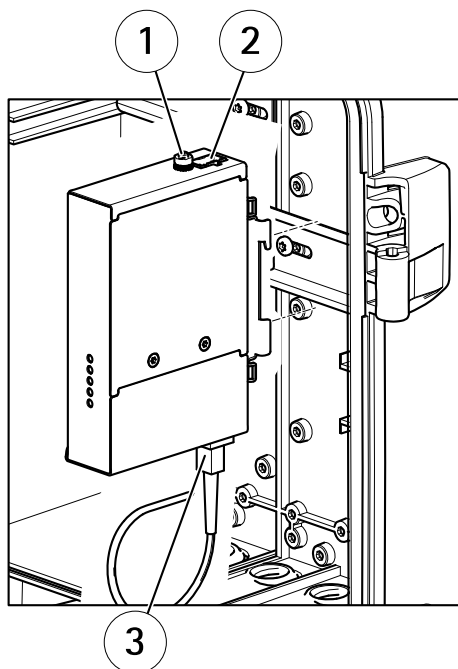
- 1 ネジT20x2
- 2 電気安全カバー

メディアコンバータケーブルの接続

注意

メディアコンバータは、用途に合ったシールドネットワークケーブル (STP) を使用して接続してください。メディアコンバータスイッチは適切に接地してください。法的な要求事項については、電波に関する適合性 (EMC) を参照してください。

1. グランドケーブルをアース端子ネジに接続します。
2. 必要に応じて、ネットワークケーブルをネットワークコネクタ (RJ45、SFP) に接続します。
3. 電源ケーブルを電源コネクタ (DC入力) に接続します。



- 1 アース端子ネジ
- 2 電源コネクタ (DC入力)
- 3 ネットワークケーブル

ミッドスパンケーブルの接続

注意

以下の手順は、ミッドスパンを使用するモデルの場合のみ有効です。

1. ネットワークケーブルを使用して、ミッドスパン (データ入力) とメディアコンバータを接続します。
2. 取り付け済みの電源ケーブルを電源コネクタに接続します。

ネットワークカメラの取り付け

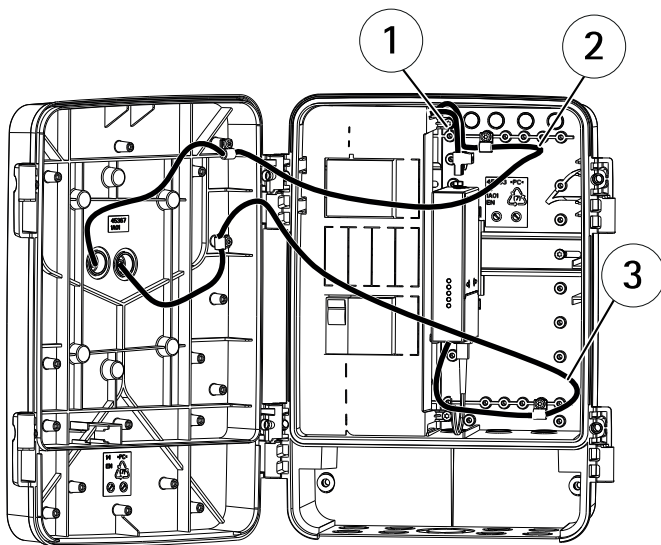
ネットワークカメラは別売です。

注意

ケーブルを配線する際には、ケーブルに十分なたるみを持たせ、キャビネットドアを全開にできるようにしてください。

ケーブルの配線については、下図を参照してください。

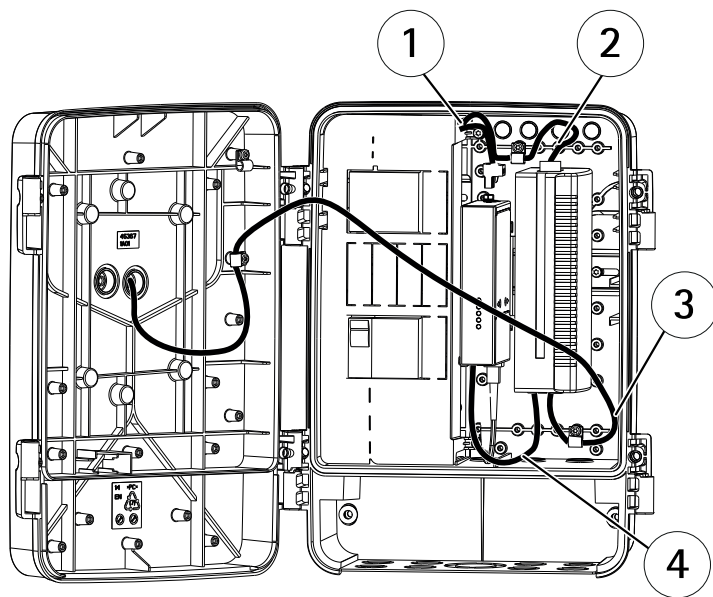
1. ネットワークケーブルと電源ケーブルを、キャビネットドアとカメラブラケットを通して配線します。
2. ミッドスパンを使用するモデルの場合: カメラに接続したネットワークケーブルを使用して、ミッドスパン(データおよび電源出力)とカメラを接続します。
3. メディアコンバータキャビネットからカメラに電源ケーブルを接続します。
4. メディアコンバータからカメラにネットワークケーブルを接続します。
5. 利用可能な場合、取付ブラケットに付属のカメラ落下防止用の安全ワイヤーを使用します。
6. カメラをキャビネットドア、または、カメラブラケットに取り付けます。
127ページの、ネジの締付トルクの仕様を参照してください。



AXIS T98A-VEメディアコンバータキャビネット

- 1 メディアコンバータに接続する電源ケーブル
- 2 カメラに接続する電源ケーブル
- 3 ネットワークケーブル

AXIS T98A-VE Media Converter Cabinet A Series



オプションのミッドスパンを使用するキャビネットモデル

- 1 メディアコンバータに接続する電源ケーブル
- 2 ミッドスパンに接続する電源ケーブル
- 3 カメラに接続するネットワークケーブル
- 4 ミッドスパンとメディアコンバータを接続するネットワークケーブル

技術仕様

モデル	AXIS T98A15-VEメディアコンバータキャビネットA 120 V AC AXIS T98A16-VEメディアコンバータキャビネットA 120 V AC AXIS T98A17-VEメディアコンバータキャビネットA 120 V AC AXIS T98A18-VEメディアコンバータキャビネットA 120 V AC AXIS T98A19-VEメディアコンバータキャビネットA 120 V AC AXIS T98A15-VEメディアコンバータキャビネットA 230 V AC AXIS T98A16-VEメディアコンバータキャビネットA 230 V AC
-----	---

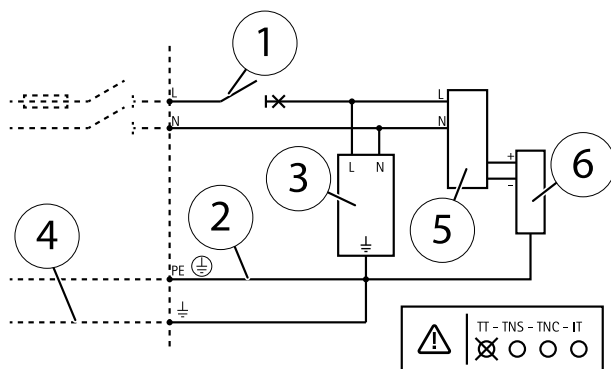
AXIS T98A-VE Media Converter Cabinet A Series

	<p>AXIS T98A17-VEメディアコンバータキャビネットA 230 V AC AXIS T98A18-VEメディアコンバータキャビネットA 230 V AC AXIS T98A19-VEメディアコンバータキャビネットA 230 V AC</p>
電源	<p>入力 (120 V AC): 90~175 V AC、最大4 A 入力 (230 V AC): 90~264 V AC、最大4 A 出力 AXIS T98A15-VE、AXIS T98A16-VE、AXIS T98A17-VE: 12 V DC、20 W 出力 AXIS T98A18-VE、AXIS T98A19-VE: 入力電圧に相当、最大4 A</p>
コネクタ	<p>RJ45コネクタ (10/100 Mbps)×2 SFPコネクタ (100/1000 Mbps)×2 SFP光ファイバーモジュールまたはSFP銅線モジュール用</p>
ケーシング	<p>ポリカーボネート製キャビネット、ステンレス製取り付けプレート 色: 白 NCS 1002-Bおよびステンレス</p>
インジケータ表示	<p>LEDインジケータ</p>
使用環境	<p>屋外</p>
認証規格	<p>AXIS T98A-VEシリーズ230 V: EN 55022 Class A EN 55024 EN 61000-3-2 EN 61000-3-3 EN 61000-6-1 EN 61000-6-2 C-Tick AS/NZS CISPR 22 Class A AXIS T98A-VEシリーズ120 V: FCC Part 15 Subpart B Class A VCCI Class A ICES-003 Class A CISPR22 Class A AXIS T98A15-VE/T98A16-VE/T98A17-VE: IEC 60068-2-6耐振動性4M4 IEC 60068-2-27耐衝撃性4M4 AXIS T98A18-VE/T98A19-VE: IEC 60068-2-6耐振動性4M3 IEC 60068-2-27耐衝撃性4M3 全モデル共通: EN 50121-4 IEC 62236-4</p>

AXIS T98A-VE Media Converter Cabinet A Series

	EN 50581 (RoHS) IEC/EN 60529 IP66 NEMA 250 Type 4X IEC/EN 62262 IK10 REACH WEEE CE
動作条件	-40 ° C~65° C 10~100% RH (結露可) AXIS T98A18-VEメディアコンバータキャビネットの動作条件については、AXIS T8124ミッドスパンの技術仕様を参照してください。
外形寸法 (高さ×幅×長さ)	361 x 282 x 131 mm
重量	4.4 kg
付属品	インストールガイド ケーブルガasket (取り付け済み) DINレール (取り付け済み) ケーブルクランプ 電気安全カバー MCBヒューズ (取り付け済み) サージ保護 (取り付け済み) 12 V DC電源 (取り付け済み) メディアコンバータ ミッドスパンを使用するモデルの場合: ミッドスパン用 DINクリップ
オプションアクセサリ	AXIS T98AサンシールドA AXIS ドアスイッチ AXIS T95A64コーナー取付ブラケット AXIS T95A67ポール取付ブラケット AXISキャビネットロックA

接続図



- 1 サーキットブレーカー/ヒューズ4A
- 2 入力メイン電圧
- 3 サージ保護器230VACまたは120VAC
- 4 外部被覆付きボンディングワイヤー
- 5 電源ユニット
- 6 メディアコンバータ

関連情報

Axisラーニングセンター (www.axis.com/academy) にアクセスしてください。役に立つトレーニング、ウェブセミナー、チュートリアル、ガイドをご用意しています。

保証情報

Axisの製品保証と関連情報については、www.axis.com/warrantyをご覧ください

