

AXIS Q6055-S PTZ Dome Network Camera

Installation Guide

English

EN

France: Français

FR

Deutschland: Deutsch

DE

Italia: Italiano

IT

España: Español

ES

日本: 日本語

JA

中文: 简体中文

ZH

Legal considerations

Video surveillance can be regulated by laws that vary from country to country. Check the laws in your local region before using this product for surveillance purposes.

This product includes the following licences:

- one (1) H.264 decoder license
- To purchase further licenses, contact your reseller.

Liability

Every care has been taken in the preparation of this document. Please inform your local Axis office of any inaccuracies or omissions. Axis Communications AB cannot be held responsible for any technical or typographical errors and reserves the right to make changes to the product and manuals without prior notice. Axis Communications AB makes no warranty of any kind with regard to the material contained within this document, including, but not limited to, the implied warranties of merchantability and fitness for a particular purpose. Axis Communications AB shall not be liable nor responsible for incidental or consequential damages in connection with the furnishing, performance or use of this material. This product is only to be used for its intended purpose.

Intellectual property rights

Axis AB has intellectual property rights relating to technology embodied in the product described in this document. In particular, and without limitation, these intellectual property rights may include one or more of the patents listed at axis.com/patent and one or more additional patents or pending patent applications in the US and other countries.

This product contains licensed third-party software. See the menu item "About" in the product's user interface for more information.

This product contains source code copyright Apple Computer, Inc., under the terms of Apple Public Source License 2.0 (see opensource.apple.com/apsl). The source code is available from developer.apple.com/bonjour/

Equipment modifications

This equipment must be installed and used in strict accordance with the instructions given in the user documentation. This equipment contains no user-serviceable components. Unauthorized equipment changes or modifications will invalidate all applicable regulatory certifications and approvals.

Trademark acknowledgements

AXIS COMMUNICATIONS, AXIS and VAPIX are registered trademarks or trademark applications of Axis AB in various jurisdictions. All other company names and products are trademarks or registered trademarks of their respective companies.

Apple, Apache, Bonjour, Ethernet, Internet Explorer, Linux, Microsoft, Mozilla, Real, SMPTE, QuickTime, UNIX, Windows, and WWW are registered trademarks of the respective holders. Java and all Java-based trademarks and logos are trademarks or registered trademarks of Oracle and/or its affiliates. The UPnP Word Mark and UPnP Logo are trademarks of Open Connectivity Foundation, Inc. in the United States or other countries.



SD, SDHC, and SDXC Logos are trademarks of SD-3C LLC. SD, SDHC and SDXC are trademarks or registered trademarks of SD-3C, LLC in the United States, other countries or both.

Regulatory information

Europe



This product complies with the applicable CE marking directives and harmonized standards:

- Electromagnetic Compatibility (EMC) Directive 2014/30/EU. See *Electromagnetic compatibility (EMC) on page 4*.
- Low Voltage Directive (LVD) 2014/35/EU. See *Safety on page 5*.
- Restriction of Hazardous Substances (RoHS) Directive 2011/65/EU, including any amendments, updates or replacements. See *Disposal and recycling on page 5*.

A copy of the original declaration of conformity may be obtained from Axis Communications AB. See *Contact information on page 5*.

Electromagnetic compatibility (EMC)

This equipment has been designed and tested to fulfill applicable standards for:

- Radio frequency emission when installed according to the instructions and used in its intended environment.
- Immunity to electrical and electromagnetic phenomena when installed according to the instructions and used in its intended environment.

USA

This device complies with part 15 of the FCC Rules. Operation is subject to the following two conditions:

1. This device may not cause harmful interference, and
2. this device must accept any interference received, including interference that may cause undesired operation.

This equipment has been tested using a shielded network cable (STP) and found to comply with the limits for a Class A digital device, pursuant to part 15 of the FCC Rules. These limits are designed to provide reasonable protection against harmful interference when the equipment is operated in a commercial environment. This equipment generates, uses, and can radiate radio frequency energy and, if not installed and used in accordance with the instruction manual, may cause harmful interference to radio communications. Operation of this equipment in a residential area is likely to cause harmful interference in which case the user will be required to correct the interference at his own expense. The product shall be connected using a shielded network cable (STP) that is properly grounded.

Contact information

Axis Communications Inc.
300 Apollo Drive
Chelmsford, MA 01824
United States of America
Tel: +1 978 614 2000

Canada

This digital apparatus complies with CAN ICES-3 (Class A). The product shall be connected using a shielded network cable (STP) that is properly grounded. Cet appareil numérique est conforme à la norme CAN NMB-3 (classe A). Le produit doit être connecté à l'aide d'un câble réseau blindé (STP) qui est correctement mis à la terre.

Europe

This digital equipment fulfills the requirements for RF emission according to the Class A limit of EN 55032. The product shall be connected using a shielded network cable (STP) that is properly grounded. Notice! This is a Class A

product. In a domestic environment this product may cause RF interference, in which case the user may be required to take adequate measures.

Australia/New Zealand

This digital equipment fulfills the requirements for RF emission according to the Class A limit of AS/NZS CISPR 32. The product shall be connected using a shielded network cable (STP) that is properly grounded. Notice! This is a Class A product. In a domestic environment this product may cause RF interference, in which case the user may be required to take adequate measures.

Japan

この装置は、クラスA 情報技術装置です。この装置を家庭環境で使用すると電波妨害を引き起こすことがあります。この場合には使用者が適切な対策を講ずるよう要求されることがあります。本製品は、シールドネットワークケーブル(STP)を使用して接続してください。また適切に接地してください。

Korea

이 기기는 업무용 환경에서 사용할 목적으로 적합성 평가를 받은 기기로서 가정용 환경에서 사용하는 경우 전파간섭의 우려가 있습니다. 적절히 접지된 STP (shielded twisted pair) 케이블을 사용하여 제품을 연결하십시오.

Safety

This product complies with IEC/EN/UL 60950-1 and IEC/EN/UL 60950-22, Safety of Information Technology Equipment. The product shall be grounded either through a shielded network cable (STP) or other appropriate method.

The power supply shall be specified as a Limited Power Source (LPS) according to clause 2.5 of IEC/UL 60950-1 or CEC/NEC Class 2 source of supply as defined in the Canadian Electrical Code, CSA C22.1 and National Electrical Code, ANSI/NFPA 70.

Disposal and recycling

When this product has reached the end of its useful life, dispose of it according to local laws and regulations. For information about your nearest designated collection point, contact your local authority responsible for waste disposal. In accordance with local legislation, penalties may be applicable for incorrect disposal of this waste.

Europe



This symbol means that the product shall not be disposed of together with household or commercial waste. Directive 2012/19/EU on waste electrical and electronic equipment (WEEE) is applicable in the European Union member states. To prevent potential harm to human health and the environment, the product must be disposed of in an approved and environmentally safe recycling process. For information about your nearest designated collection point, contact your local authority responsible for waste disposal. Businesses should contact the product supplier for information about how to dispose of this product correctly.

This product complies with the requirements of Directive 2011/65/EU and 2015/863 on the restriction of the use of certain hazardous substances in electrical and electronic equipment (RoHS).

China



This product complies with the requirements of SJ/T 11364-2014, Marking for the restriction of hazardous substances in electrical and electronic products.

有毒有害物质或元素

部件名称	铅 (Pb)	汞 (Hg)	镉 (Cd)	六价铬 (Cr-(VI))	多溴苯 (PB-B)	多溴二苯醚 (PB-DE)
电气实装部分	X	0	0	0	0	0

0: 表示该有毒有害物质在该部件均质材料中的含量均在GB/T 26572标准规定的限量要求以下。

X: 表示该有毒有害物质至少在该部件的某一均质材料中的含量超出GB/T 26572标准规定的限量要求。

Contact information

Axis Communications AB
Emdalavägen 14
223 69 Lund
Sweden

Tel: +46 46 272 18 00
Fax: +46 46 13 61 30

axis.com

Warranty information

For information about Axis' product warranty and thereto related information, go to axis.com/warranty

Support

Should you require any technical assistance, please contact your Axis reseller. If your questions cannot be answered immediately, your reseller will forward your queries through the appropriate channels to ensure a rapid response. If you are connected to the Internet, you can:

- download user documentation and software updates
- find answers to resolved problems in the FAQ database, search by product, category, or phrase
- report problems to Axis support staff by logging in to your private support area
- chat with Axis support staff
- visit Axis Support at axis.com/support

Learn more!

Visit Axis learning center axis.com/academy for useful trainings, webinars, tutorials and guides.

Package contents

- AXIS Q6055-S PTZ Dome Network Camera
- AXIS T8607 Media Converter Switch
- Multicable (IP66), 7 m (23 ft)
- DIN rail clip
- Printed materials
 - Installation Guide (this document)
 - Extra serial number label (2x)
 - AVHS Authentication key

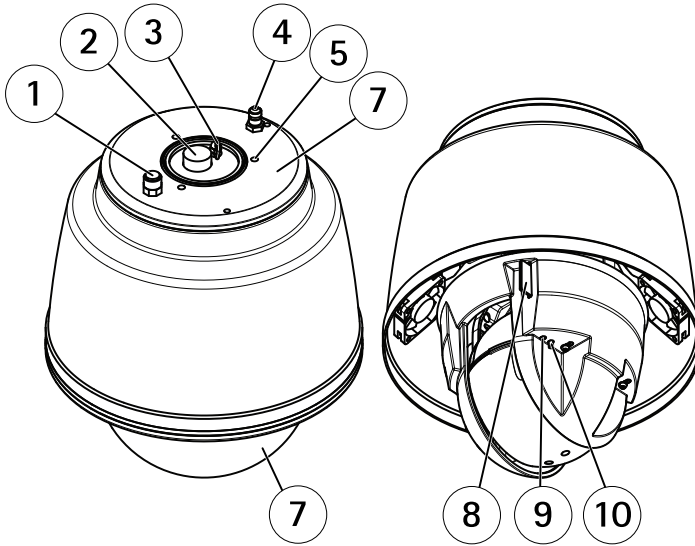
AXIS Q6055-S PTZ Dome Network Camera

Hardware overview

For specifications of the hardware components, see *Specifications* on page 16.

NOTICE

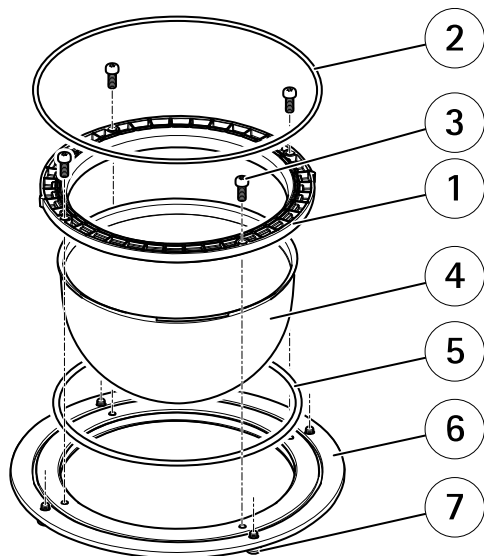
Make sure the dome is attached in operation mode, otherwise focus may be affected.



- 1 Pressure relief valve
- 2 Multiconnector
- 3 Hook for safety wire
- 4 Inlet valve
- 5 Mounting hole (3x)
- 6 Part number (P/N) & Serial number (S/N)
- 7 Dome
- 8 SD card slot (SDHC)
- 9 Status LED indicator
- 10 Control button

AXIS Q6055-S PTZ Dome Network Camera

EN



- 1 *Dome attachment ring*
- 2 *O-ring*
- 3 *Dome bracket screw T20 (4x)*
- 4 *Dome*
- 5 *O-ring*
- 6 *Dome ring*
- 7 *Dome ring screw T25 (4x)*

AXIS Q6055-S PTZ Dome Network Camera

How to install the product

Read all the instructions before installing the product. Some installation steps would benefit from being completed together because they require removal of the dome cover.

NOTICE

- Due to local regulations or the environmental and electrical conditions in which the product is to be used, a shielded network cable (STP) may be appropriate or required. All cables connecting the product to the network and that are routed outdoors or in demanding electrical environments shall be intended for their specific use. Make sure that the network devices are installed in accordance with the manufacturer's instructions. For information about regulatory requirements, see *Regulatory information on page 4*.
- Mount the product with the dome cover facing downward.
- Be careful not to scratch, damage or leave fingerprints on the dome cover because this could decrease image quality. If possible, keep the protective plastic on the dome cover until the installation is complete.

The product can be mounted with the cables routed through or along the wall or roof.

Recommended tools

NOTICE

Stainless steel is corrosion-resistant, but extraneous rust can appear if the material is handled incorrectly. Use stainless tools to avoid rust stains or pitting corrosion.

- Torx® screwdriver T10 (lid, cable clamping)
- Cable shoe pliers (ground cable)
- Torx® screwdriver T20 (dome cover removal)
- Torx® screwdriver T25 (dome replacement)
- 8 mm (5/16") wrench/socket (hose clamp, AXIS T91C67 Pole Bracket)
- 10 mm (3/8") wrench/socket (bracket adapter AXIS T91C61, AXIS T94S01D, AXIS T91C67 Pole Bracket)
- Diagonal pliers (cables)
- Wire stripping tool (cable connecting)

How to replace the dome cover (optional)

The premounted clear dome cover can be replaced if you want to use a smoked dome cover or if the dome cover is scratched or damaged. Smoked dome covers and spare clear dome covers can be purchased from your Axis reseller.

Use the Installation Guide delivered with the dome cover.

How to install an SD card

Installing an SD card is optional. A standard or high capacity SD card (not included) can be used to store recordings locally in the product.

1. Loosen the dome ring screws and remove the dome cover.
2. Insert an SD card into the SD card slot.
3. Attach the dome cover to the top cover and tighten the screws (torque 3.2 Nm).

How to pressurize the camera (recommended)

The camera housing can be filled with Nitrogen gas to prevent condensation.

The filling process is repeated three times, releasing the pressure between fillings, to make sure that all air and humidity is purged from the housing.

Note

The camera housing has an pressure relief valve that limits the filling pressure to 0.5 bar (7 psi). During normal use the pressure inside the camera housing may drop below that pressure. For full protection make sure that the pressure is above 0.2 bar (3 psi) .

1. Set the regulator gauge on the gas cylinder to 0.5 bar (7 psi).
2. Remove the caps from the inlet valve and the pressure relief valve.
3. Place the chuck on the inlet valve and press down to fill the camera with nitrogen.
4. When the pressure inside the camera housing reaches 0.5 bar (7 psi) the pressure relief valve will open. Place your hand over the pressure relief valve to verify that the gas is flowing out.
5. Lift the pressure relief valve to let the overpressure out of the camera unit.
6. Repeat the filling process a total of 3 times, leaving the the camera pressurized the last time.
7. Put the caps back on the inlet valve and the pressure relief valve.

How to install AXIS T8607 Media Converter Switch

The AXIS T8607 Media Converter Switch enables the multicable to send power from the power supply (sold separately), and to send and receive data to and from external alarm devices and the network.

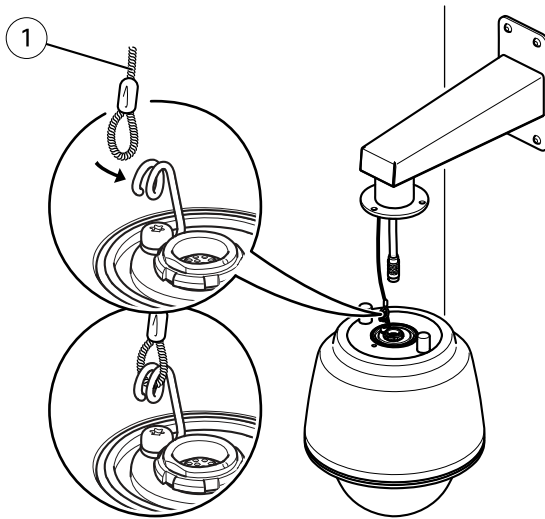
For all information on installing the AXIS T8607 Media Converter Switch, see the separate installation guide supplied with that product.

How to install the camera

NOTICE

To comply with the IP66-rated design of the camera and maintain the IP66 protection, the supplied multicable shall be used.

1. Install the selected bracket according to the instructions supplied with the bracket. If drilling is required, make sure to use drill bits, screws, and plugs that are appropriate for the material.
2. Route the multicable through the holes in the mounting bracket.
3. Secure the camera using the supplied safety wire.



Mounting example (wall bracket sold separately)

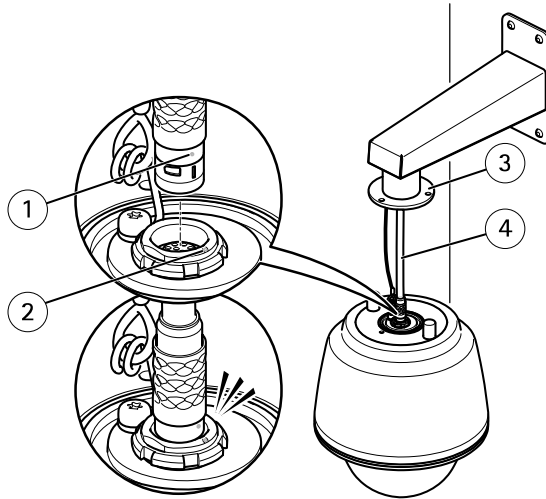
1 Safety wire

4. Remove the protection cap covering the multiconnector on the camera.
5. Connect the multicable to the connector on the camera. Use the alignment indicators to find the correct position.

NOTICE

Be careful not to damage the multicable when connecting it.

6. Fasten the network camera to the mounting bracket with the screws.



Mounting example (wall bracket sold separately)

- 1 Alignment indicator – multicable
- 2 Alignment indicator – camera
- 3 Flange
- 4 Multicable

How to access the product

AXIS IP Utility and AXIS Device Manager are recommended methods for finding Axis products on the network and assigning them IP addresses in Windows®. Both applications are free and can be downloaded from axis.com/support

The product can be used with most operating systems and browsers. We recommend the following browsers:

- Internet Explorer® with Windows®
- Safari® with OS X®
- Chrome™ or Firefox® with other operating systems.

For more information about using the product, see the User Manual available at axis.com

How to reset to factory default settings

Important

Reset to factory default should be used with caution. A reset to factory default resets all settings, including the IP address, to the factory default values.

To reset the product to the factory default settings:

1. Disconnect power from the product.
2. Press and hold the control button while reconnecting power. See .
3. Keep the control button pressed for 15–30 seconds until the status LED indicator flashes amber.
4. Release the control button. The process is complete when the status LED indicator turns green. The product has been reset to the factory default settings. If no DHCP server is available on the network, the default IP address is 192.168.0.90
5. Use the installation and management software tools to assign an IP address, set the password, and access the video stream.

The installation and management software tools are available from the support pages on axis.com/support

It is also possible to reset parameters to factory default through the web interface. Go to **Settings > System > Maintenance** and click **Default**.

Further information

- For the latest version of this document, see axis.com
- The user manual is available at axis.com
- To check if there is updated firmware available for your device, see axis.com/support
- For useful online trainings and webinars, see axis.com/academy

Optional accessories

For a complete list of available accessories for this product, go to the product's page on axis.com and select Software & Accessories.

AXIS Q6055-S PTZ Dome Network Camera

Specifications

To find the latest version of the product's datasheet, go to the product page at axis.com and locate **Support & Documentation**.

LED Indicators

Status LED	Indication
Unlit	Connection and normal operation.
Green	Shows steady green for 10 seconds for normal operation after startup completed.
Amber	Steady during startup. Flashes during firmware upgrade or reset to factory default.
Amber/Red	Flashes amber/red if network connection is unavailable or lost.
Red	Firmware upgrade failure.

SD card slot

NOTICE

- Risk of damage to SD card. Do not use sharp tools, metal objects, or excessive force when inserting or removing the SD card. Use your fingers to insert and remove the card.
- Risk of data loss and corrupted recordings. Do not remove the SD card while the product is running. Unmount the SD card from the product's webpage before removal.

This product supports SD/SDHC/SDXC cards.

For SD card recommendations, see axis.com

Buttons

Control button

For location of the control button, see *Hardware overview on page 8*.

The control button is used for:

- Resetting the product to factory default settings. See *page 14*.
- Connecting to an AXIS Video Hosting System service. To find out more about this service, see axis.com

Connectors

Multiconnector

Terminal connector for connecting the supplied media converter switch, which provides the following signals:

- DC Power
- Network (Ethernet 10/100Base-T)
- Input/Output (I/O)

Multicable connectors & I/O ports

Note

The supplied multicable is required in order to maintain the camera's NEMA/IP rating.

The multicable is connected to the camera's multiconnector, see *Hardware overview on page 8*.

The other end of the multicable is connected to the supplied AXIS T8607 Media Converter Switch. See the installation guide for that product for further information, including an overview of the I/O ports.

Operating conditions

The Axis product is intended for outdoor use.

Classification	IEC 60721-4-3 Class 3K3 IEC/EN 60529 IP66 ISO 20653 IP6K9K
Temperature	-30 °C to 50 °C (-22 °F to 122 °F)
Humidity	10-100% RH (condensing)

Storage conditions

Temperature	-40 °C to 65 °C (-40 °F to 149 °F)
-------------	---------------------------------------

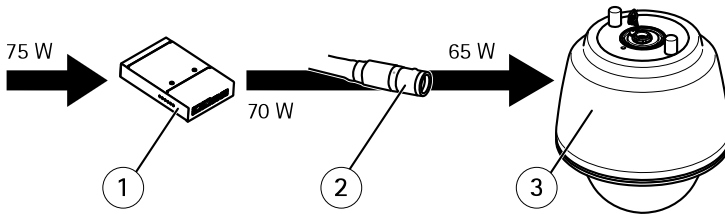
AXIS Q6055-S PTZ Dome Network Camera

Electrical specifications

NOTICE

For confirmed compliance with the requirements for Safety Extra Low Voltage (SELV) and Limited Power Source (LPS), use the power supply (sold separately) recommended by Axis. For information about compatible power accessories, see www.axis.com

Product	Function	Description
Axis network camera	Input power	24 V DC, min 65 W
AXIS T8607 Media Converter Switch	Input voltage	24 V DC
	Input power	min 75 W
	Available output power	min 70 W
	Nominal output voltage	24 V DC
	Minimum input current	3.2 A



- 1 *AXIS T8607 Media converter switch*
- 2 *Multicable*
- 3 *Axis network camera*

Safety information

Hazard levels

▲DANGER

Indicates a hazardous situation which, if not avoided, will result in death or serious injury.

▲WARNING

Indicates a hazardous situation which, if not avoided, could result in death or serious injury.

▲CAUTION

Indicates a hazardous situation which, if not avoided, could result in minor or moderate injury.

NOTICE

Indicates a situation which, if not avoided, could result in damage to property.

Other message levels

Important

Indicates significant information which is essential for the product to function correctly.

Note

Indicates useful information which helps in getting the most out of the product.

AXIS Q6055-S PTZ Dome Network Camera

Safety instructions

⚠ WARNING

The Axis product shall be installed by a trained professional, and in compliance with local laws and regulations.

NOTICE

- The Axis product shall be used in compliance with local laws and regulations.
- Store the Axis product in a dry and ventilated environment.
- Avoid exposing the Axis product to shocks or heavy pressure.
- Do not install the product on unstable poles, brackets, surfaces or walls.
- Use only applicable tools when installing the Axis product. Using excessive force with power tools could cause damage to the product.
- Do not use chemicals, caustic agents, or aerosol cleaners.
- Use a clean cloth dampened with pure water for cleaning.
- Use only accessories that comply with the technical specification of your product. These can be provided by Axis or a third party. Axis recommends using Axis power source equipment compatible with your product.
- Use only spare parts provided by or recommended by Axis.
- Do not attempt to repair the product yourself. Contact Axis support or your Axis reseller for service matters.
- Do not point the camera lens toward the sun or other high-intensity radiation sources because this could cause damage to the camera.

Transportation

NOTICE

- Keep the protective packaging. When transporting the Axis product, the protective packaging shall be replaced in its original position.
- When transporting the Axis product, use the original packaging or equivalent to prevent damage to the product.

Battery

The Axis product uses a 3.0 V BR2032 lithium battery as the power supply for its internal real-time clock (RTC). Under normal conditions this battery will last for a minimum of five years.

Low battery power affects the operation of the RTC, causing it to reset at every power-up. When the battery needs replacing, a log message will appear in the product's server report. For more information about the server report, see the product's web page or contact Axis support.

Lithium coin cell 3.0 V batteries contain 1,2-dimethoxyethane; ethylene glycol dimethyl ether (EGDME), CAS no. 110-71-4.

▲WARNING

- Risk of explosion if the battery is incorrectly replaced.
- The battery should be replaced with an identical battery only.
- Used batteries should be disposed of according to local regulations or the battery manufacturer's instructions.

Dome Cover

NOTICE

- Be careful not to scratch, damage or leave fingerprints on the dome cover because this could decrease image quality. If possible, keep the protective plastic on the dome cover until the installation is complete.
- Do not clean a dome cover that looks clean to the eye and never polish the surface. Excessive cleaning could damage the surface.
- For general cleaning of the dome cover it is recommended to use a non-abrasive, solvent-free neutral soap or detergent mixed with pure water and a soft, clean cloth. Rinse well with pure lukewarm water. Dry with a soft, clean cloth to prevent water spotting.
- Never use harsh detergents or alcohols (isopropyl, butyl, propyl) and avoid cleaning the dome cover in direct sunlight or at elevated temperatures.

Contenu de l'emballage

- Caméra dôme réseau AXIS Q6055-S
- Commutateur de convertisseur de média AXIS T8607
- Câble multiple (IP66), 7 m (23 pi)
- Clip pour rail DIN
- Documents imprimés
 - Guide d'installation (ce document)
 - Étiquette supplémentaire de numéro de série (x2)
 - Clé d'authentification AVHS

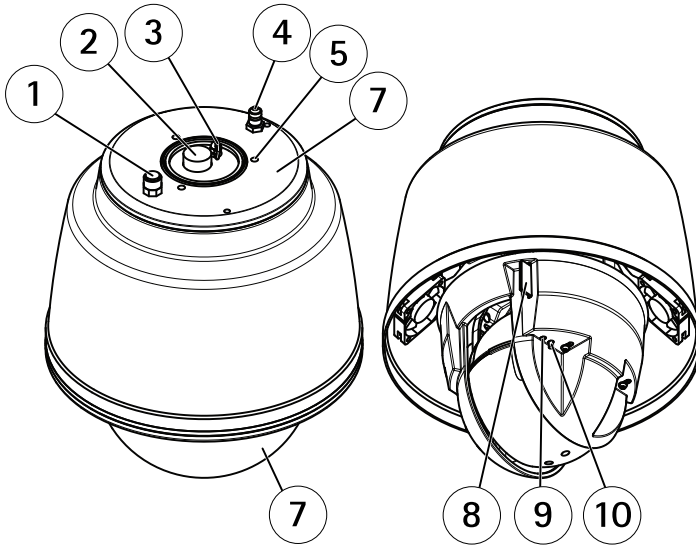
AXIS Q6055-S PTZ Dome Network Camera

Aperçu du matériel

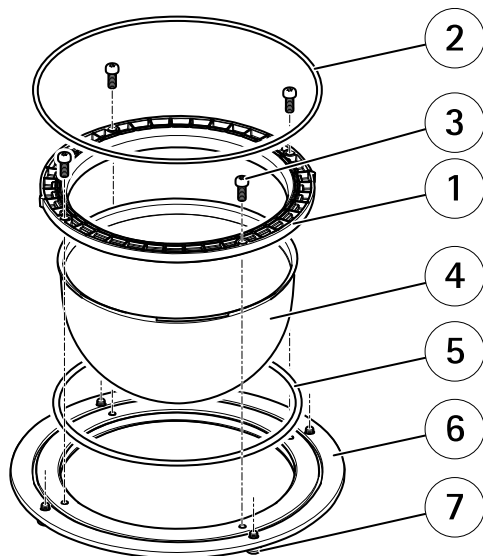
Pour connaître les caractéristiques des composants matériels, consultez *Caractéristiques* page 32.

AVS

Vérifiez que le dôme est fixé en mode de fonctionnement, sinon la mise au point peut en être affectée.



- 1 Soupape de surpression
- 2 Multiconnecteur
- 3 Crochet pour câble de sécurité
- 4 Vanne d'admission
- 5 Trou de fixation (x3)
- 6 Référence produit (P/N) et numéro de série (S/N).
- 7 Dôme
- 8 Emplacement pour carte SD (SDHC)
- 9 Voyant d'état
- 10 Bouton de commande



- 1 *Bague de fixation du dôme*
- 2 *Joint torique*
- 3 *Vis du support pour caméra dôme T20 (x4)*
- 4 *Dôme*
- 5 *Joint torique*
- 6 *Garniture pour caméra dôme*
- 7 *Vis de la garniture pour caméra dôme T25 (x4)*

Comment installer le produit

Lisez toutes les instructions avant l'installation de l'appareil. Il serait préférable de réaliser certaines étapes en même temps parce qu'elles exigent le retrait du couvercle du dôme.

AVIS

- les réglementations locales ou les conditions environnementales et électriques dans lesquelles le produit est utilisé peuvent nécessiter l'utilisation d'un câble réseau blindé (STP). Tous les câbles réseau qui sont acheminés à l'extérieur ou dans des environnements électriques exigeants doivent être destinés à leur usage spécifique. Assurez-vous que les périphériques réseau sont installés conformément aux instructions du fabricant. Pour plus d'informations sur les exigences réglementaires, consultez *Regulatory information on page 4*.
- Fixez le produit en orientant le couvercle du dôme vers le bas.
- Veillez à ne pas rayer, endommager ou laisser d'empreintes sur le couvercle du dôme car cela pourrait altérer la qualité d'image. Laissez, si possible, la protection en plastique sur le couvercle du dôme jusqu'à la fin de l'installation.

Cette caméra peut être montée avec les câbles d'alimentation acheminés à travers ou le long du mur ou du toit.

Outils recommandés

AVIS

L'acier inoxydable résiste à la corrosion, mais de la rouille erratique peut apparaître si le matériel n'est pas manipulé correctement. Utilisez des outils en acier inoxydable pour éviter les taches de rouille ou la formation de piqûres de rouille.

- Tournevis Torx® T10 (couvercle, serrage de câble)
- Pince à sertir pour cosses de câble (câble de mise à la terre)
- Tournevis Torx® T20 (dépose du couvercle du dôme)
- Tournevis Torx® T25 (remplacement du dôme)
- Clé 8 mm (5/16") /prise femelle (collier de serrage, support colonne AXIS T91C67)
- Clé 10 mm (3/8") /prise femelle (adaptateur de support AXIS T91C61, AXIS T94S01D, support colonne AXIS T91C67)
- Pince coupante diagonale (câbles)
- Outil de dénudage de câble (raccordement de câble)

Remplacement du couvercle de dôme(en option)

Le couvercle du dôme prémonté peut être remplacé si vous souhaitez utiliser un couvercle de dôme fumé ou si le couvercle du dôme est rayé ou endommagé. Les couvercles de dôme fumés et les couvercles de dôme non fumés de rechange peuvent être achetés auprès d'un revendeur Axis.

Utilisez le Guide d'installation fourni avec le couvercle de dôme.

Installation d'une carte SD

L'installation d'une carte SD est facultative. Une carte SD standard ou à haute capacité (non fournie) peut être utilisée pour sauvegarder des enregistrements dans l'appareil.

1. Desserrez les vis de la garniture pour caméra dôme et retirez le couvercle du dôme.
2. Insérez une carte SD dans l'emplacement pour carte SD.
3. Fixez le couvercle du dôme sur le couvercle supérieur et serrez les vis (couple 3,2 Nm).

Mise sous pression de la caméra (recommandé)

Le boîtier de la caméra peut être rempli d'azote afin d'empêcher toute condensation.

Le processus de remplissage est répété trois fois, en relâchant la pression entre chaque remplissage, afin de s'assurer que le boîtier est totalement exempt d'air et d'humidité.

Note

Le boîtier de la caméra est équipé d'une soupape de surpression qui limite la pression de remplissage à 0,5 bar (7 psi). En utilisation normale, il est possible que la pression à l'intérieur du boîtier de la caméra soit inférieure à cette pression. Pour une protection optimale, assurez-vous que la pression est supérieure à 0,2 bar (3 psi).

1. Réglez le manomètre du régulateur de la bouteille de gaz sur 0,5 bar (7 psi).
2. Retirez les capuchons de la vanne d'admission et de la soupape de surpression.
3. Placez le mandrin sur la vanne d'admission et appuyez pour remplir la caméra d'azote.
4. Lorsque la pression à l'intérieur du boîtier de la caméra atteint 0,5 bar (7 psi), la soupape de surpression s'ouvre. Placez la main au-dessus de la soupape de surpression pour vérifier que le gaz s'échappe.
5. Soulevez la soupape de surpression pour relâcher la surpression du boîtier de la caméra.
6. Répétez la procédure de remplissage 3 fois, en laissant la caméra sous pression la dernière fois.
7. Remettez en place les capuchons de la vanne d'admission et de la soupape de surpression.

Installation d'AXIS T8607 Media Converter Switch

AXIS T8607 Media Converter Switch permet au câble multiple d'envoyer le courant provenant de l'alimentation (vendue séparément), mais également d'échanger des données avec les dispositifs d'alarme externes et le réseau.

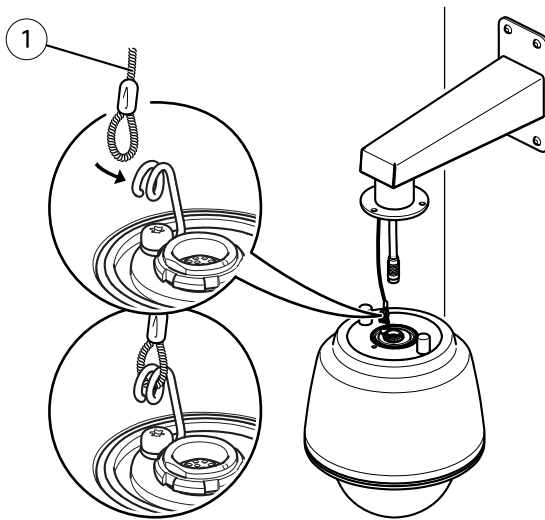
Pour connaître toutes les informations relatives à l'installation d'AXIS T8607 Media Converter Switch, voir le guide d'installation fourni avec le produit.

Installation de la caméra

AVIS

Pour être conforme à la norme IP66 de la caméra et maintenir la protection IP66, il est nécessaire d'utiliser le câble multiple fourni.

1. Installez le support choisi conformément aux instructions fournies avec le support. S'il s'avère nécessaire de percer, vérifiez que les forets, vis et chevilles à utiliser sont appropriés pour le matériau.
2. Acheminez le câble multiple à travers les orifices du support de montage.
3. Sécurisez la caméra à l'aide du câble de sécurité fourni.



Exemple de montage (support mural vendu séparément)

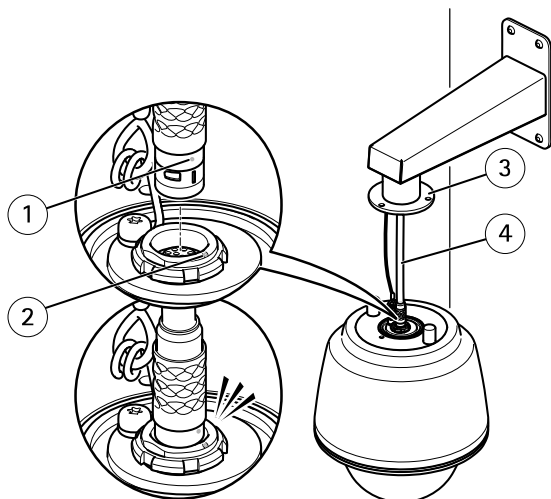
1 Câble de sécurité

4. Retirez la surcapsule qui recouvre le câble multiconnecteurs sur la caméra.
5. Connectez le câble multiple au connecteur sur la caméra. Utilisez les indicateurs d'alignement pour trouver la bonne position.

AVIS

Veillez à ne pas endommager le câble multiple lorsque vous le connectez.

6. Fixez la caméra réseau sur le support de montage avec les vis.



Exemple de montage (support mural vendu séparément)

- 1 *Témoin d'alignement – câble multiple*
- 2 *Témoin d'alignement – caméra*
- 3 *Bride*
- 4 *Câble multiple*

Comment accéder au produit

Pour trouver les périphériques Axis présents sur le réseau et leur attribuer des adresses IP sous Windows®, utilisez AXIS IP Utility ou AXIS Device Manager. Ces applications sont gratuites et peuvent être téléchargées via axis.com/support

Pour plus d'informations sur l'utilisation du produit, consultez le Manuel de l'utilisateur disponible sur axis.com

Comment réinitialiser les paramètres par défaut

Important

La réinitialisation aux paramètres par défaut doit être utilisée avec prudence. Cette opération reconfigure tous les paramètres, y compris l'adresse IP, aux valeurs d'usine par défaut.

Pour réinitialiser l'appareil aux paramètres d'usine par défaut :

1. Déconnectez l'alimentation de l'appareil.
2. Maintenez le bouton de commande enfoncé en remettant l'appareil sous tension. Cf. .
3. Maintenez le bouton de commande enfoncé pendant 15 à 30 secondes, jusqu'à ce que le voyant d'état clignote en orange.
4. Relâchez le bouton de commande. Le processus est terminé lorsque le voyant d'état passe au vert. Les paramètres d'usine par défaut de l'appareil ont été rétablis. En l'absence d'un serveur DHCP sur le réseau, l'adresse IP par défaut est 192 . 168 . 0 . 90.
5. Utilisez les outils d'installation et de gestion pour attribuer une adresse IP, configurer le mot de passe et accéder au flux de données vidéo.

Les logiciels d'installation et de gestion sont disponibles sur les pages d'assistance du site axis.com/support.

Il est également possible de rétablir les paramètres d'usine à partir de l'interface Web. Accédez à **Settings > System > Maintenance (Paramètres > Système > Maintenance)** , puis cliquez sur **Default (Par défaut)**.

Informations complémentaires

- Pour obtenir la version la plus à jour de ce document, voir axis.com
- Le manuel d'utilisateur est disponible sur le site axis.com
- Pour vérifier s'il existe un firmware mis à jour pour votre appareil, voir axis.com/support
- Pour accéder à des formations et webinaires en ligne utiles, voir axis.com/academy

FR

Accessoires en option

Pour une liste complète des accessoires disponibles pour ce produit, accédez à la page du produit sur axis.com et sélectionnez Logiciel et accessoires.

AXIS Q6055-S PTZ Dome Network Camera

Caractéristiques

Pour obtenir la dernière version de la fiche technique du produit, rendez-vous sur la page du produit sur le site axis.com et trouvez l'option **Support & Documentation (Assistance et documentation)**.

Voyants

LED de statut	Indication
Éteinte	Branchement et fonctionnement normal.
Vert	Vert et fixe pendant 10 secondes pour indiquer un fonctionnement normal après le démarrage.
Orange	Fixe pendant le démarrage. Clignote pendant les mises à niveau du microprogramme ou le rétablissement des valeurs par défaut configurées en usine.
Orange / Rouge	Clignote en orange/rouge en cas d'indisponibilité ou de perte de la connexion réseau.
Rouge	Échec de la mise à niveau du microprogramme.

Fente pour carte SD

AVIS

- Risque de dommages à la carte SD. N'utilisez pas d'outils tranchants ou d'objets métalliques pour insérer ou retirer la carte SD, et ne forcez pas lors son insertion ou de son retrait. Utilisez vos doigts pour insérer et retirer la carte.
- Risque de perte de données et d'enregistrements corrompus. Ne retirez pas la carte SD pendant que le produit fonctionne. Démontez la carte SD de la page Web du produit avant le retrait.

Ce produit est compatible avec les cartes SD/SDHC/SDXC.

Pour des recommandations sur les cartes SD, consultez axis.com

Boutons

Bouton de commande

Pour connaître l'emplacement du bouton de commande, voir *Aperçu du matériel* page 24.

Le bouton de commande permet de réaliser les opérations suivantes :

- Réinitialisation du produit aux paramètres d'usine par défaut. Cf. *page 30*.

- Connexion au service du Système d'hébergement vidéo AXIS. Pour en savoir plus sur ce service, consultez le site axis.com.

Connecteurs

Multiconnecteur

FR

Connecteur de terminal pour le branchement du contacteur de convertisseur de support inclus, qui fournit les signaux suivants :

- Alimentation CC
- Réseau (Ethernet 10/100Base-T)
- Entrée/sortie (E/S)

Câbles multiconnecteurs et ports d'E/S

Note

Le câble multiple fourni sert à maintenir la classification NEMA/IP de la caméra.

Le câble multiple est branché au port multiconnecteurs de la caméra, voir *Aperçu du matériel* page 24.

L'autre extrémité du câble multiple est branchée au commutateur AXIS T8607 Media Converter Switch fourni. Pour plus d'informations et pour une présentation des ports d'E/S, voir le guide d'installation du produit.

Conditions d'utilisation

L'appareil Axis est uniquement destiné à une utilisation en extérieur.

Classification	IEC 60721-4-3 Classe 3K3 IEC/EN 60529 IP66 ISO 20653 IP6K9K
Température	- 30 °C à 50 °C (- 22 °F à 122 °F)
Humidité	Humidité relative 10 – 100 % (condensation)

Conditions de stockage

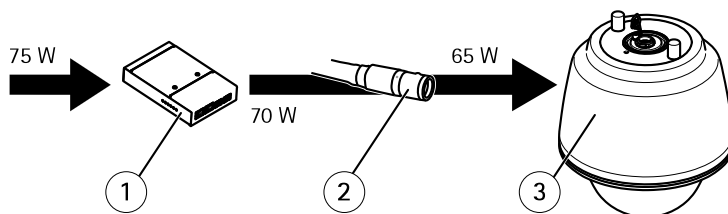
Température	-40°C à 65°C (-40°F à 149°F)
-------------	---------------------------------

Caractéristiques électriques

AVIS

Afin de satisfaire aux exigences de Très basse tension de sécurité (TBTS) et de source d'alimentation limitée (LPS), utilisez le bloc d'alimentation (vendu séparément) recommandé par Axis. Pour plus d'informations sur les accessoires d'alimentation compatibles, voir www.axis.com

Produit	Fonction	Description
Caméra réseau Axis	Puissance d'entrée	24 V CC, 65 W min.
AXIS T8607 Media Converter Switch	Tension d'entrée	24 V CC
	Puissance d'entrée	75 W min.
	Puissance de sortie disponible	70 W min.
	Tension de sortie nominale	24 V CC
	Courant d'entrée minimal	3,2 A



- 1 *AXIS T8607 Media converter switch*
- 2 *Câble multiple*
- 3 *Caméra réseau Axis*

Informations sur la sécurité

Niveaux de risques

▲ DANGER

Indique une situation dangereuse qui, si elle n'est pas évitée, entraînera le décès ou des blessures graves.

▲ AVERTISSEMENT

Indique une situation dangereuse qui, si elle n'est pas évitée, pourrait entraîner le décès ou des blessures graves.

▲ ATTENTION

Indique une situation dangereuse qui, si elle n'est pas évitée, pourrait entraîner des blessures légères ou modérées.

AVIS

Indique une situation qui, si elle n'est pas évitée, pourrait endommager l'appareil.

Autres niveaux de message

Important

Indique les informations importantes, nécessaires pour assurer le bon fonctionnement de l'appareil.

Note

Indique les informations utiles qui permettront d'obtenir le fonctionnement optimal de l'appareil.

AXIS Q6055-S PTZ Dome Network Camera

Consignes de sécurité

⚠ AVERTISSEMENT

Le produit Axis doit être installé par un professionnel qualifié et conformément aux lois et réglementations locales en vigueur.

AVIS

- Le produit Axis doit être utilisé conformément aux lois et règlements locaux.
- Conserver ce produit Axis dans un environnement sec et ventilé.
- Ne pas exposer ce produit Axis aux chocs ou aux fortes pressions.
- Ne pas installer ce produit sur des poteaux, supports, surfaces ou murs instables.
- Utiliser uniquement des outils recommandés pour l'installation de l'appareil Axis. L'application d'une force excessive sur l'appareil avec des outils puissants pourrait l'endommager.
- Ne pas utiliser de produits chimiques, de substances caustiques ou de nettoyeurs pressurisés.
- Utiliser un chiffon propre imbibé d'eau pure pour le nettoyage.
- Utiliser uniquement des accessoires conformes aux caractéristiques techniques de votre produit. Ils peuvent être fournis par Axis ou un tiers. Axis recommande d'utiliser un équipement d'alimentation Axis compatible avec votre produit.
- Utiliser uniquement les pièces de rechange fournies ou recommandées par Axis.
- Ne pas essayer de réparer vous-même ce produit. Contacter l'assistance technique d'Axis ou votre revendeur Axis pour des problèmes liés à l'entretien.
- Évitez de pointer l'objectif de la caméra vers le soleil ou toute autre source de radiation de haute intensité. Cela risque d'endommager la caméra.

Transport

AVIS

- Conservez l'emballage de protection. Lors du transport du produit Axis, l'emballage de protection doit être remis dans sa position d'origine.
- Lors du transport du produit Axis, utilisez l'emballage d'origine ou un équivalent pour éviter d'endommager le produit.

Batterie

Le produit Axis utilise une batterie au lithium BR2032 3,0 V comme alimentation de son horloge en temps réel interne (RTC). Dans des conditions normales, cette batterie a une durée de vie minimale de cinq ans.

Si la batterie est faible, le fonctionnement de l'horloge en temps réel peut être affecté et entraîner sa réinitialisation à chaque mise sous tension. Un message enregistré apparaît dans le rapport de serveur du produit lorsque la batterie doit être remplacée. Pour plus d'informations sur le rapport serveur, consultez la page Web du produit ou contactez l'assistance technique d'Axis.

Les piles boutons 3,0 V au lithium contiennent du 1,2-diméthoxyéthane, éthylène glycol diméthyl éther (EGDME), CAS n° 110-71-4.

▲AVERTISSEMENT

- Risque d'explosion si la batterie est remplacée de façon incorrecte.
- La batterie doit être remplacée par une batterie identique uniquement.
- Les batteries usagées doivent être mises au rebut conformément aux réglementations locales ou aux instructions du fabricant de la batterie.

Couvercle de dôme

AVIS

- Veillez à ne pas rayer, endommager ou laisser d'empreintes sur le couvercle du dôme car cela pourrait altérer la qualité d'image. Laissez, si possible, la protection en plastique sur le couvercle du dôme jusqu'à la fin de l'installation.
- Ne nettoyez pas le couvercle du dôme s'il semble propre à l'œil nu et ne frottez jamais sa surface. Un nettoyage excessif pourrait endommager la surface.
- Pour le nettoyage général du couvercle du dôme, il est recommandé d'utiliser un produit non abrasif, un savon neutre sans solvant ou un détergent mélangé avec de l'eau pure et un chiffon doux propre. Rincez bien à l'eau tiède pure. Séchez avec un chiffon doux et propre pour éviter les taches d'eau.
- N'utilisez jamais de détergents agressifs ou d'alcools (isopropylique, butylique, propylique) et évitez toute exposition directe aux rayons du soleil ou à des températures élevées lors du nettoyage.

Lieferumfang

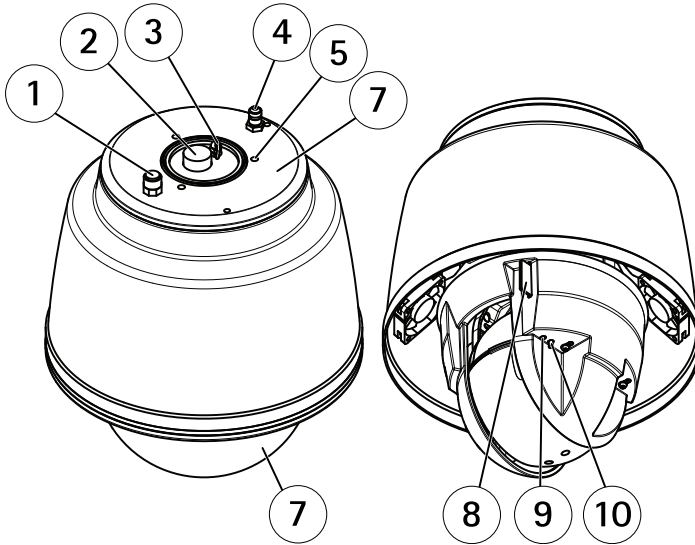
- AXIS Q6055-S PTZ-Dome-Netzwerk-Kamera
- AXIS T8607 Media Converter-Switch
- Mehrfachkabel (IP66), 7 m
- DIN-Schienenhalterung
- Gedruckte Dokumente
 - Installationsanleitung (dieses Dokument)
 - Zusätzliche Etiketten mit der Seriennummer (2 x)
 - AVHS-Authentifizierungsschlüssel

Übersicht über die Hardware

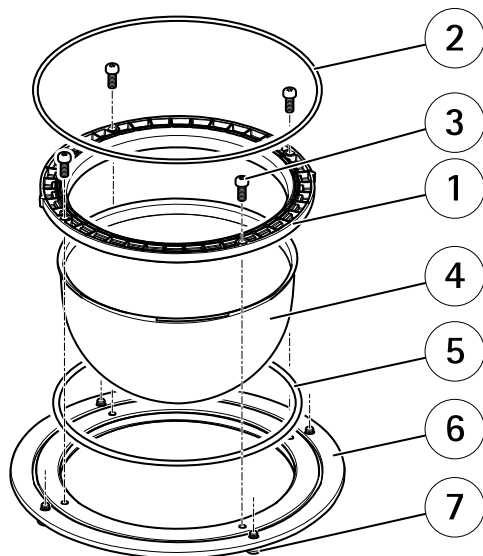
Die technischen Daten für Hardwarekomponenten finden Sie unter *Technische Daten auf Seite 48*.

HINWEIS

Die Kamera darf nur mit angebrachter Kuppel betrieben werden, damit der Fokus nicht beeinträchtigt wird.



- 1 Druckablassventil
- 2 Mehrfachanschluss
- 3 Haken für Sicherheitsdraht
- 4 Einlassventil
- 5 Montagebohrung (3x)
- 6 Bestellnummer (P/N) und Seriennummer (S/N)
- 7 Kuppel
- 8 SD-Karteneinschub (SDHC)
- 9 LED-Statusanzeige
- 10 Steuertaste



DE

- 1 Kuppelbefestigungsring
- 2 O-Ring
- 3 Kuppelhalterungsschraube T20 (4x)
- 4 Kuppel
- 5 O-Ring
- 6 Kuppelring
- 7 Kuppelringschraube T25 (4x)

Installieren des Produkts

Lesen Sie die Anweisungen, bevor Sie das Produkt installieren. Manche Installationsschritte sollten besser zusammen ausgeführt werden, denn sie erfordern die Entfernung der Kuppelabdeckung.

HINWEIS

- Aufgrund örtlicher Vorschriften oder je nach Umgebung oder elektrischer Anlage, in/mit der das Produkt verwendet wird, kann ein abgeschirmtes Netzkabel (STP) empfehlenswert oder notwendig sein. Alle Netzkabel des Produkts, die im Außenbereich oder in anspruchsvollen elektrischen Umgebungen verlegt werden, müssen hierfür ausgelegt sein. Stellen Sie sicher, dass die Netzwerkgeräte gemäß den Anweisungen des Herstellers installiert wurden. Informationen zu gesetzlichen Bestimmungen finden Sie unter *Regulatory information on page 4*.
- Befestigen Sie das Produkt mit der Kuppelabdeckung nach unten zeigend.
- Achten Sie darauf die Kuppelabdeckung weder zu zerkratzen, zu beschädigen oder darauf Fingerabdrücke zu hinterlassen, da dies die Bildqualität beeinträchtigen kann. Falls möglich, entfernen Sie die Schutzfolie erst nach Abschluss der Installation.

Bei der Montage des Produkts können Sie die Kabel entweder durch die Wand oder die Decke führen.

Empfohlene Werkzeuge

HINWEIS

Edelstahl ist korrosionsbeständig, bei unsachgemäßer Handhabung kann jedoch Fremdstoff auftreten. Verwenden Sie Werkzeug aus Edelstahl, um Rostflecken oder Lochfraß zu vermeiden.

- Torx®-Schraubendreher T10 (Abdeckung, Kabelklemmen)
- Kabelschuh-Zange (Erdungsleitung)
- Torx®-Schraubendreher T20 (Entfernen der Kuppelabdeckung)
- Torx®-Schraubendreher T25 (Austausch der Kuppel)
- 8 mm-Schraubenschlüssel/Buchse (Schlauchklemme, AXIS T91C67 Masthalterung)
- 10 mm-Schraubenschlüssel/Buchse (Halterungsadapter AXIS T91C61, AXIS T94S01D, AXIS T91C67 Masthalterung)
- Seitenschneider (Kabel)
- Abisoliergerät (Kabelverbindung)

Austauschen der Kuppelabdeckung (optional)

Die vormontierte klare Kuppelabdeckung kann ausgetauscht werden, wenn Sie eine getönte Kuppelabdeckung verwenden möchten oder wenn die Kuppelabdeckung zerkratzt oder beschädigt ist. Getönte Kuppelabdeckungen oder klare Ersatzabdeckungen können über Ihren Axis Händler erworben werden.

Verwenden Sie die im Lieferumfang der Kuppelabdeckung enthaltene Installationsanleitung.

Installation einer SD-Speicherkarte

Die Installation einer SD-Speicherkarte ist optional. Mit einer Standard-SD-Speicherkarte oder SD-Speicherkarte mit hoher Kapazität (nicht enthalten) können Aufzeichnungen direkt/lokal auf dem Produkt gespeichert werden.

1. Lösen Sie die Kuppelringschrauben und entfernen sie die Kuppelabdeckung.
2. Schieben Sie die SD-Karte in den SD-Karteneinschub.
3. Befestigen Sie die Kuppelabdeckung an der oberen Abdeckung und ziehen Sie die Schrauben an (Drehmoment 3,2 Nm).

DE

Unterdrucksetzen der Kamera (empfohlen)

Das Kameragehäuse kann mit Stickstoff gefüllt werden, um Kondensierung zu vermeiden.

Um sicherzustellen, dass sich keine Luft oder Feuchtigkeit mehr im Gehäuse befindet, sollte der Füllvorgang drei Mal wiederholt und der Druck zwischen jeder Füllung abgelassen werden.

Beachten

Das Kameragehäuse verfügt über ein Druckablassventil, das den Fülldruck auf 0,5 bar (7 psi) begrenzt. Bei normaler Verwendung fällt der Druck innerhalb des Kameragehäuses möglicherweise unter diesen Wert. Stellen Sie sicher, dass der Druck über 0,2 bar (3 psi) liegt, um einen vollständigen Schutz zu gewährleisten.

1. Richten Sie den Druckluftregler des Gaszylinders auf 0,5 bar (7 psi) ein.
2. Entfernen Sie die Abdeckkappen von Einlass- und Druckablassventil.
3. Platzieren Sie das Spannfutter am Einlassventil und drücken Sie es nach unten, um die Kamera mit Stickstoff zu füllen.
4. Wenn der Druck innerhalb des Kameragehäuses 0,5 bar (7 psi) erreicht, wird das Druckablassventil geöffnet. Legen Sie Ihre Hand über das Druckablassventil, um herauszufinden, ob der Stickstoff wirklich austritt.
5. Heben Sie das Druckablassventil an, um den Überdruck aus der Kameraeinheit abzulassen.
6. Wiederholen Sie das Abfüllen insgesamt 3 Mal. Belassen Sie die Kamera beim letzten Mal unter Druck.
7. Setzen Sie die Abdeckkappen wieder auf Einlass- und Druckablassventil.

Den AXIS T8607 Media Converter Switch installieren

Der Media Converter Switch AXIS T8607 ermöglicht über das Mehrfachkabel die Stromversorgung von der Stromquelle (separat erhältlich) sowie die Datenübertragung zwischen externen Alarmanrichtungen und dem Netzwerk.

AXIS Q6055-S PTZ Dome Network Camera

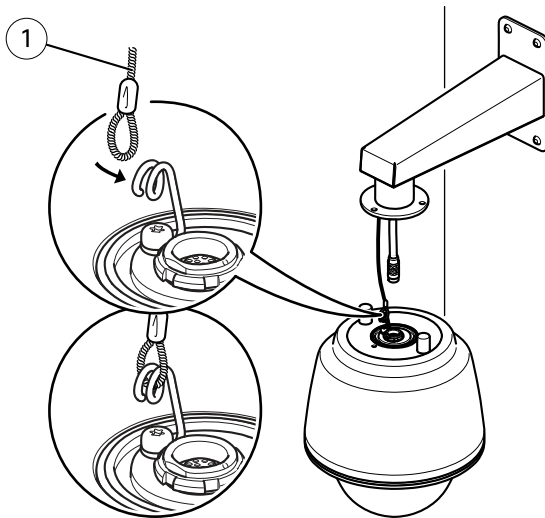
Weitere Informationen zum Installieren des Media Converter Switch AXIS T8607 finden Sie in der gesonderten mitgelieferten Installationsanleitung.

Installieren der Kamera

HINWEIS

Verwenden Sie das im Lieferumfang enthaltene Mehrfachkabel, um die IP66-Einstufung der Kamerabauweise und den IP66-Schutz zu gewährleisten.

1. Installieren Sie die ausgewählte Halterung entsprechend den mitgelieferten Anweisungen. Falls das Bohren von Löchern erforderlich ist, stellen Sie sicher, dass die Bohrer, Schrauben und Dübel für den Baustoff der Wand geeignet sind.
2. Führen Sie das Mehrfachkabel durch die Bohrungen in der Montagehalterung.
3. Sichern Sie die Kamera mit dem mitgelieferten Sicherheitsdraht.



Montagebeispiel (Wandhalterung separat erhältlich)

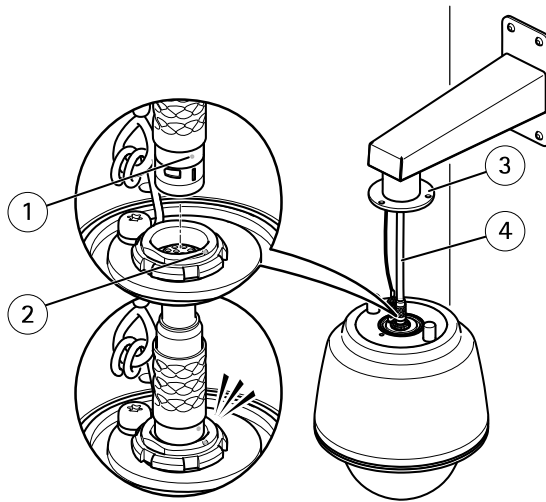
1 Sicherheitsdraht

4. Entfernen Sie die Schutzkappe des Mehrfachanschlusses der Kamera.
5. Schließen Sie das Mehrfachkabel an den Kameraanschluss an. Suchen Sie die korrekte Position mittels der Ausrichtungsmarken.

HINWEIS

Seien Sie beim Anschließen vorsichtig, damit das Mehrfachkabel nicht beschädigt wird.

6. Befestigen Sie die Netzwerk-Kamera mit den Schrauben an der Wandhalterung.



Montagebeispiel (Wandhalterung separat erhältlich)

- 1 Ausrichtungsmarke – Mehrfachkabel
- 2 Ausrichtungsmarke – Kamera
- 3 Flansch
- 4 Mehrfachkabel

Zugriff auf das Produkt

Ermitteln Sie mit AXIS IP Utility und AXIS Device Manager die Axis-Geräte im Netzwerk und weisen Sie ihnen unter Windows® IP-Adressen zu. Beide Anwendungen sind kostenlos und können von axis.com/support heruntergeladen werden.

Weitere Informationen zur Nutzung dieses Produkts finden Sie im Benutzerhandbuch auf axis.com.

Zurücksetzen auf die werksseitigen Standardeinstellungen

Wichtig

Die Funktion zum Zurücksetzen auf die werksseitigen Standardeinstellungen sollte mit Vorsicht verwendet werden. Mit dieser Funktion werden alle Einstellungen einschließlich der IP-Adresse auf die werksseitigen Standardeinstellungen zurückgesetzt.

So wird das Produkt auf die werksseitigen Standardeinstellungen zurückgesetzt:

1. Trennen Sie das Produkt von der Stromversorgung.
2. Halten Sie die Steuertaste gedrückt und stellen Sie die Stromversorgung wieder her. Siehe .
3. Halten Sie die Steuertaste etwa 15 bis 30 Sekunden gedrückt, bis die Status-LED gelb blinkt.
4. Lassen Sie die Steuertaste los. Der Vorgang ist abgeschlossen, wenn die Status LED grün leuchtet. Das Produkt wurde auf die Werkseinstellungen zurückgesetzt. Wenn kein DHCP-Server im Netzwerk verfügbar ist, lautet die Standard-IP-Adresse 192.168.0.90.
5. Verwenden Sie die Software-Tools für Installation und Verwaltung, um eine IP-Adresse zuzuweisen, ein Kennwort einzurichten und auf den Videostream zuzugreifen.
Die Softwaretools für die Installation und Verwaltung stehen auf den Supportseiten unter axis.com/support zur Verfügung.

Die Parameter können auch über die Weboberfläche auf die Werkseinstellungen zurückgesetzt werden. **Einstellungen > Systemoptionen >Wartung** aufrufen und **Standard** anklicken.

Weitere Informationen

- Die aktuelle Version dieses Dokuments finden Sie auf axis.com
- Das Benutzerhandbuch steht auf axis.com zur Verfügung.
- Unter axis.com/support finden Sie die aktuellen Firmwareversionen für Ihr Gerät.
- Nützliches Onlinetraining und Webinare finden Sie unter axis.com/academy.

Optionales Zubehör

Eine vollständige Liste lieferbaren Zubehörs für dieses Produkt finden Sie auf axis.com unter Produkt, Software und Zubehör.

AXIS Q6055-S PTZ Dome Network Camera

Technische Daten

Die aktuelle Version des technischen Datenblatts für das Produkt finden Sie auf axis.com unter **Support und Dokumentation**.

LEDs

LED-Statusanzeige	Bedeutung
Leuchtet nicht	Anschluss und Normalbetrieb
Grün	Leuchtet bei Normalbetrieb nach Abschluss des Startvorgangs 10 Sekunden lang grün.
Gelb	Leuchtet beim Start. Blinkt während Firmware-Aktualisierung und Wiederherstellung der Werkseinstellungen.
Gelb/rot	Blinkt gelb/rot, wenn die Netzwerkverbindung nicht verfügbar ist oder unterbrochen wurde.
Rot	Firmware-Aktualisierung fehlgeschlagen.

Einschub für SD-Speicherkarte

HINWEIS

- Gefahr von Schäden an der SD-Karte. Beim Einsetzen oder Entfernen der SD-Karte keine scharfen Werkzeuge oder Gegenstände aus Metall benutzen und keine übermäßige Kraft anwenden. Setzen Sie die Karte per Hand ein. Das Gleiche gilt für das Entfernen.
- Gefahr von Datenverlust und Beschädigung von Aufzeichnungen. Die SD-Karte darf nicht entfernt werden, während das Produkt in Betrieb ist. Erst die SD-Karte über die Produktwebseite trennen, dann ausbauen.

Dieses Axis-Produkt unterstützt Karten des Typs SD/SDHC/SDXC.

Für Empfehlungen zu SD-Karten, siehe axis.com.

Tasten

Steuertaste

Zur Lage der Steuertaste, siehe *Übersicht über die Hardware auf Seite 40*.

Die Steuertaste hat folgende Funktionen:

- Zurücksetzen des Produkts auf die Werkseinstellungen. Siehe *Seite 46*.

- Anschließen an einen AXIS Video Hosting System-Service Weitere Informationen zu diesem Dienst finden Sie auf axis.com.

Anschlüsse

Mehrfachanschluss

Klemmenanschluss zum mitgelieferten Medienkonverter-Switch, der die folgenden Signale ausgibt:

- Gleichstrom
- Netzwerk (Ethernet 10/100Base-T)
- Eingabe/Ausgabe (E/A)

DE

Anschlüsse und E/A-Ports des Mehrfachkabels

Beachten

Das mitgelieferte Mehrfachkabel ist erforderlich, um die Schutzart (NEMA/IP) der Kamera zu gewährleisten.

Das eine Ende des Mehrfachkabels wird an den Mehrfachanschluss der Kamera angeschlossen, siehe *Übersicht über die Hardware auf Seite 40*.

Das andere Ende des Mehrfachkabels wird an den Media Converter Switch AXIS T8607 angeschlossen. Weitere Informationen sowie eine Übersicht über die E/A-Ports enthält die Installationsanleitung für dieses Produkt.

Betriebsbedingungen

Das Axis Produkt ist für die Verwendung im Außenbereich konzipiert.

Klassifikation	IEC 60721-4-3 Klasse 3K3 IEC/EN 60529 IP66 ISO 20653 IP6K9K
Temperatur	-30 °C bis 50 °C
Luftfeuchtigkeit	10 bis 100 % rF (kondensierend)

Lagerbedingungen

Temperatur	-40 °C bis 65 °C
------------	------------------

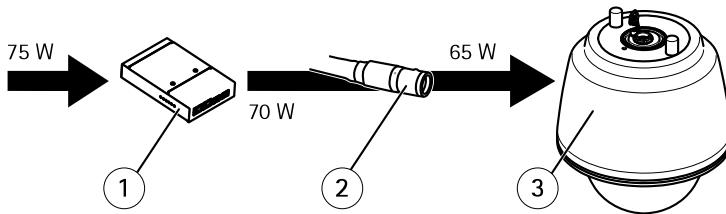
AXIS Q6055-S PTZ Dome Network Camera

Elektrische Daten

HINWEIS

Verwenden Sie zur sicheren Einhaltung der Anforderungen für Schutzkleinspannung (SELV) und Stromquelle mit begrenzter Leistung (LPS) das von Axis empfohlene Netzteil (separat erhältlich). Weitere Informationen zu kompatiblen Zubehör für die Stromversorgung finden Sie unter www.axis.com.

Produkt	Funktion	Beschreibung
Axis-Netzwerkamera	Eingangsleistung	24 V Gleichstrom, min. 65 W
AXIS T8607 Media Converter Switch	Eingangsspannung	24 V Gleichstrom
	Eingangsleistung	min. 75 W
	Verfügbare Ausgangsleistung	min. 70 W
	Ausgangsnennspannung	24 V Gleichstrom
	Minimaler Eingangsstrom	3,2 A



- 1 *AXIS T8607 Media Converter Switch*
- 2 *Mehrfachkabel*
- 3 *Axis-Netzwerkamera*

Sicherheitsinformationen

Gefährdungsstufen

▲GEFAHR

Weist auf eine gefährliche Situation hin, welche, falls nicht verhindert, zu Tod oder schweren Verletzungen führen kann.

▲WARNUNG

Weist auf eine gefährliche Situation hin, welche, falls nicht verhindert, zu Tod oder schweren Verletzungen führen kann.

▲VORSICHT

Weist auf eine gefährliche Situation hin, welche, falls nicht verhindert, zu geringfügiger oder mäßiger Verletzung führen kann.

HINWEIS

Weist auf eine gefährliche Situation hin, welche, falls nicht verhindert, zu Sachschäden führen kann.

DE

Andere Meldeebenen

Wichtig

Weist auf wichtige Informationen hin, die den richtigen Betrieb des Produkts gewährleisten.

Beachten

Weist auf nützliche Informationen hin, die die optimale Verwendung des Produkts unterstützen.

Sicherheitsanweisungen

⚠ WARNUNG

Das Axis Produkt muss von fachmännisch geschultem Personal und unter Einhaltung der örtlich geltenden Bestimmungen installiert werden.

HINWEIS

- Das Axis-Produkt muss unter Beachtung der geltenden Gesetze und Bestimmungen betrieben werden.
- Lagern Sie das Axis Produkt in einer trockenen und belüfteten Umgebung.
- Das Axis-Produkt weder Stößen noch starkem Druck aussetzen.
- Das Produkt nicht an instabilen Masten, Halterungen, Oberflächen oder Wänden anbringen.
- Verwenden Sie bei der Installation des Axis Produkts ausschließlich passende Werkzeuge. Ein zu großer Kraftaufwand mit elektrischen Werkzeugen kann das Produkt beschädigen.
- Verwenden Sie keine chemischen, ätzenden oder aerosolhaltigen Reinigungsmittel.
- Verwenden Sie zum Reinigen ein sauberes, mit destilliertem Wasser angefeuchtetes Tuch.
- Verwenden Sie nur Zubehör, das den technischen Vorgaben Ihres Produkts entspricht. Dieses ist von Axis oder Drittanbietern erhältlich. Axis empfiehlt die mit Ihrem Produkt kompatible Stromversorgung von Axis.
- Verwenden Sie ausschließlich Ersatzteile die von Axis angeboten oder empfohlen werden.
- Versuchen Sie nicht, dieses Produkt selbsttätig zu reparieren. Wenden Sie sich bezüglich Reparatur und Wartung an den Axis Support oder Ihren Axis Händler.
- Richten Sie das Kameraobjektiv nicht direkt auf die Sonne oder andere starke Lichtquellen, um eine Beschädigung der Kamera zu vermeiden.

Transport

HINWEIS

- Bewahren Sie die Schutzverpackung auf. Bei Bedarf Axis Produkt in der Originalverpackung transportieren.
- Bei Bedarf transportieren Sie das Axis Produkt in der Originalverpackung oder einer entsprechenden Verpackung, so dass Schäden vermieden werden.

Batterie

Das Axis Produkt ist mit einer 3,0-V-BR2032-Lithium-Batterie ausgestattet, mit der die interne Echtzeituhr (RTC) versorgt wird. Unter normalen Bedingungen hat die Batterie eine Lebensdauer von mindestens fünf Jahren.

Eine nicht ausreichend geladene Batterie beeinträchtigt den Betrieb der Echtzeituhr, die dann bei jedem Systemstart zurückgesetzt wird. Sie erhalten eine Protokollnachricht im Serverbericht des

Produkts, wenn ein Batteriewechsel erforderlich ist. Weitere Informationen zum Serverbericht finden Sie auf den Webseiten des Produkts, oder wenden Sie sich an den Axis-Support.

Lithium-Knopfzellen (3,0 V) enthalten 1,2-Dimethoxyethan; Ethylenglycoldimethylether (EGDME), CAS-Nr. 110-71-4.

⚠️ WARNUNG

- Explosionsgefahr bei fehlerhaftem Batteriewechsel.
- Die Batterie darf nur durch eine identische Batterie ersetzt werden.
- Verbrauchte Batterien gemäß den örtlichen Vorschriften oder den Anweisungen des Herstellers entsorgen.

DE

Kuppelabdeckung

HINWEIS

- Achten Sie darauf die Kuppelabdeckung weder zu zerkratzen, zu beschädigen oder darauf Fingerabdrücke zu hinterlassen, da dies die Bildqualität beeinträchtigen kann. Falls möglich entfernen Sie die Schutzfolie erst nachdem die Installation abgeschlossen ist.
- Säubern Sie die Kuppelabdeckung nicht, wenn diese sauber erscheint, und polieren Sie niemals die Oberfläche. Zu häufiges Säubern kann die Oberfläche beschädigen.
- Für die normale Reinigung der Kuppelabdeckung werden eine nicht-scheuernde, lösungsmittelfreie neutrale Seife oder ein entsprechendes Reinigungsmittel mit destilliertem Wasser und ein sauberer, weicher Lappen empfohlen. Spülen Sie die Kuppelabdeckung gründlich mit lauwarmem destilliertem Wasser ab. Trocknen Sie die Kuppelabdeckung mit einem weichen, sauberen Tuch, um Wasserflecken zu vermeiden.
- Verwenden Sie niemals starke Reinigungsmittel oder Alkohol (Isopropanol, Butylalkohol, Propylalkohol) und vermeiden Sie, die Kuppelabdeckung im direkten Sonnenlicht oder bei erhöhten Temperaturen zu säubern.

Contenuto della confezione

- Telecamera di rete a cupola PTZ AXIS Q6055-S
- Switch Media Converter AXIS T8607
- Multicavo (IP66), 7 m
- Clip barra DIN
- Materiale cartaceo
 - Guida all'installazione (questo documento)
 - Etichetta aggiuntiva con numero di serie (2x)
 - Chiave di autenticazione AVHS

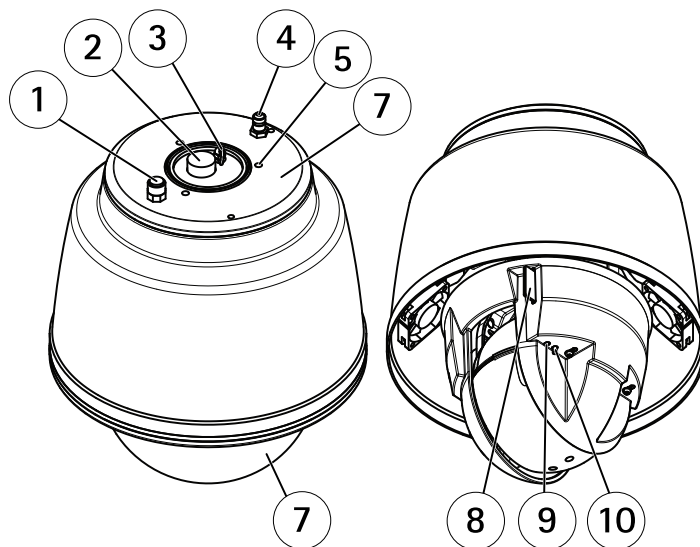
AXIS Q6055-S PTZ Dome Network Camera

Panoramica dell'hardware

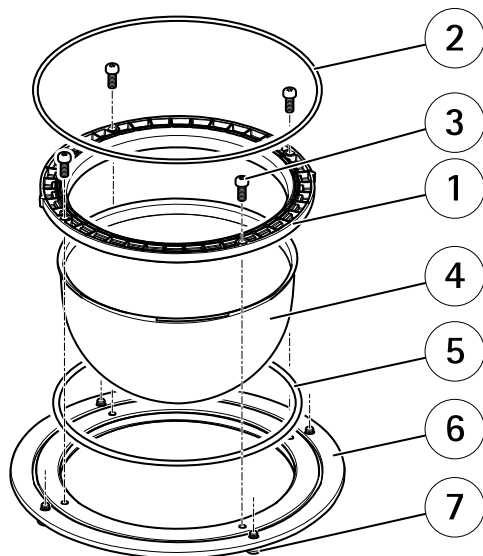
Per le specifiche dei componenti hardware, vedere *Specifiche alla pagina 64*.

AVISO

Assicurarsi che la cupola venga installata quando il dispositivo è operativo in modo da non alterare la messa a fuoco.



- 1 Valvola limitatrice della pressione
- 2 Multi-connettore
- 3 Gancio per cavo di sicurezza
- 4 Valvola di aspirazione
- 5 Foro di montaggio (3x)
- 6 Codice dispositivo (N/P) e numero di serie (N/S)
- 7 Cupola
- 8 Slot per scheda SD (SDHC)
- 9 Indicatore LED di stato
- 10 Pulsante di comando



- 1 Anello di collegamento cupola
- 2 Anello di tenuta
- 3 Vite staffa cupola T20 (4x)
- 4 Cupola
- 5 Anello di tenuta
- 6 Anello cupola
- 7 Vite anello cupola T25 (4x)

Come installare il dispositivo

Leggere attentamente tutte le istruzioni prima di installare il dispositivo. Alcune fasi d'installazione dovrebbero essere eseguite in parallelo perché richiedono la rimozione della cupola.

AWISO

- A causa di normative locali o condizioni ambientali ed elettriche in cui il dispositivo deve essere utilizzato, può essere opportuno o necessario l'utilizzo di un cavo di rete schermato (STP). Tutti i cavi di rete del dispositivo posizionati all'aperto o in ambienti elettrici in condizioni difficili sono destinati al loro uso specifico. Accertarsi che i dispositivi di rete siano installati secondo le istruzioni del produttore. Per maggiori informazioni sui requisiti normativi, consultare *Regulatory information on page 4*.
- Montare il dispositivo con la cupola rivolta verso il basso.
- Fare attenzione a non graffiare, danneggiare o lasciare impronte sulla cupola, perché potrebbe diminuire la qualità dell'immagine. Se possibile, tenere la protezione in plastica sulla cupola fino a quando l'installazione non sarà completata.

Il dispositivo può essere montato installando i cavi attraverso o lungo la parete o il tetto.

Strumenti consigliati

AWISO

L'acciaio inossidabile è resistente alla corrosione, ma è possibile che appaia la ruggine estranea se il materiale non viene maneggiato correttamente. Utilizzare strumenti in acciaio inossidabile per evitare macchie di ruggine o la corrosione per pitting.

- Cacciavite Torx® T10 (coperchio, fissaggio cavo)
- Pinza per il capocorda (cavo di messa a terra)
- Cacciavite Torx® T20 (rimozione della cupola di protezione)
- Cacciavite Torx® T25 (sostituzione della cupola)
- Chiave/socket 8 mm (5/16") (fascetta stringitubo, staffa su palo AXIS T91C67)
- Chiave/socket 10 mm (3/8") (adattatore staffa AXIS T91C61, AXIS T94S01D, Staffa su palo AXIS T91C67)
- Tronchese (cavi)
- Spelafili (connessione cavo)

Come sostituire la cupola di protezione (facoltativa)

La cupola di protezione trasparente premontata può essere sostituita se si desidera utilizzare la cupola oscurata o se la cupola è graffiata o danneggiata. È possibile acquistare le cupole di protezione trasparenti e oscurate di ricambio presso il proprio rivenditore Axis.

Utilizzare la guida all'installazione fornita con la cupola di protezione.

Come installare una scheda SD

L'installazione di una scheda SD è facoltativa. Una scheda SD standard o ad alta capacità (non inclusa) può essere utilizzata per memorizzare le registrazioni localmente nel dispositivo.

1. Allentare le viti dell'anello della cupola e rimuovere la cupola di protezione.
2. Inserire una scheda SD nello slot per schede SD.
3. Fissare la cupola di protezione alla copertura superiore e serrare le viti (serraggio 3,2 Nm).

Come pressurizzare la telecamera (consigliato)

L'alloggiamento della telecamera può essere riempito con azoto per impedire la formazione di condensa.

Il processo di riempimento viene ripetuto tre volte, rilasciando la pressione tra i riempimenti, per assicurare che l'aria e l'umidità siano ripulite dall'alloggiamento.

Nota

L'alloggiamento della telecamera ha una valvola limitatrice della pressione che limita quando la pressione di riempimento a 0,5 bar (7 psi). Durante il normale utilizzo la pressione all'interno dell'alloggiamento della telecamera potrebbe abbassarsi al di sotto di tale pressione. Per una protezione completa verificare che la pressione sia superiore a 0,2 (3 psi).

1. Impostare il regolatore nel cilindro del gas su 0,5 bar (7 psi).
2. Rimuovere i cappucci dalla valvola di aspirazione e dalla valvola limitatrice della pressione.
3. Posizionare la pinza nella valvola di aspirazione e premere per riempire la telecamera con azoto.
4. Quando la pressione all'interno dell'alloggiamento della telecamera raggiunge 0,5 bar (7 psi) la valvola limitatrice della pressione verrà aperta. Posizionare la mano sulla valvola limitatrice della pressione per verificare che il gas stia uscendo.
5. Sollevare la valvola limitatrice della pressione affinché la sovrappressione esca dall'unità della telecamera.
6. Ripetere il processo di riempimento per un totale di 3 volte, lasciando la telecamera pressurizzata l'ultima volta.
7. Riposizionare i cappucci sulla valvola di aspirazione e dalla valvola limitatrice della pressione.

Modalità di installazione di AXIS T8607 Media Converter Switch

AXIS T8607 Media Converter Switch consente al multicavo di inviare alimentazione dall'alimentatore (venduto separatamente) nonché di inviare e ricevere dati a e da dispositivi di allarme esterni e dalla rete.

AXIS Q6055-S PTZ Dome Network Camera

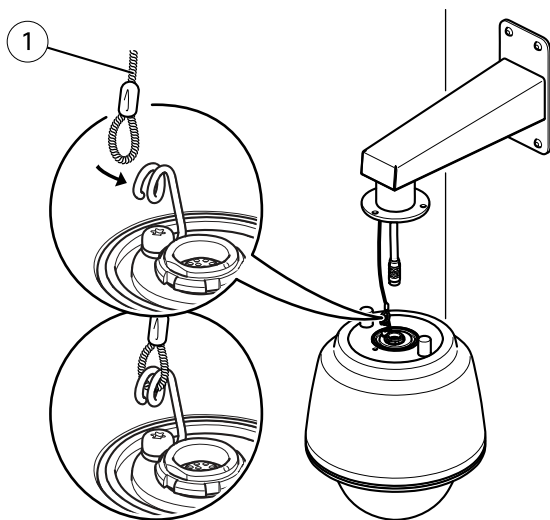
Per le informazioni complete sull'installazione di AXIS T8607 Media Converter Switch, vedere la guida all'installazione fornita con il dispositivo.

Come installare la telecamera

AWISO

È necessario utilizzare il multicavo in dotazione per mantenere inalterate le caratteristiche di tenuta e protezione di classe IP66 della telecamera.

1. Installare la staffa selezionata in base alle istruzioni fornite. Se è necessario forare, assicurarsi di utilizzare punte, viti e tasselli adatti al materiale.
2. Passare il multicavo attraverso i fori della staffa di montaggio.
3. Fissare la telecamera utilizzando il cavo di sicurezza in dotazione.



Esempio di montaggio (staffa a parete venduta separatamente)

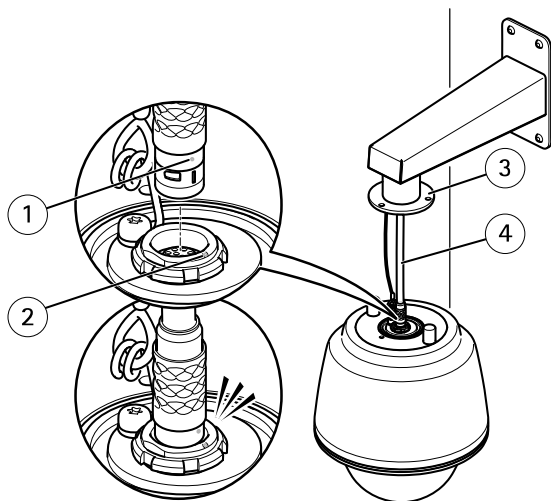
1 Cavo di sicurezza

4. Rimuovere il cappuccio di protezione che copre il multi-connettore della telecamera.
5. Collegare il multicavo alla morsetteria della telecamera. Usare gli indicatori di allineamento per trovare la posizione corretta.

AWISO

Fare attenzione a non danneggiare il multicavo quando lo si collega.

6. Fissare la telecamera di rete alla staffa di montaggio con le viti.



Esempio di montaggio (staffa a parete venduta separatamente)

- 1 *Indicatore di allineamento - multicavo*
- 2 *Indicatore di allineamento - telecamera*
- 3 *Flangia*
- 4 *Multicavo*

Modalità di accesso al dispositivo

Per trovare i dispositivi Axis sulla rete e assegnare loro un indirizzo IP in Windows®, utilizza AXIS IP Utility o AXIS Device Manager. Queste applicazioni sono entrambe gratuite e possono essere scaricate dal sito Web axis.com/support

Per ulteriori informazioni sull'utilizzo del dispositivo, consultare il Manuale per l'utente disponibile sul sito Web all'indirizzo: axis.com

Modalità di ripristino dei valori predefiniti di fabbrica

Importante

Il ripristino dei valori predefiniti di fabbrica deve essere utilizzato con cautela. Tale operazione consentirà di ripristinare i valori predefiniti di fabbrica per tutte le impostazioni, incluso l'indirizzo IP.

Per ripristinare il dispositivo ai valori predefiniti di fabbrica:

1. Scollegare l'alimentazione dal dispositivo.
2. Tenere premuto il pulsante di comando quando si ricollega l'alimentazione. Consultare .
3. Tenere premuto il pulsante di comando per 15-30 secondi finché l'indicatore LED di stato non lampeggia in giallo.
4. Rilasciare il pulsante di comando. Il processo è completo quando l'indicatore del LED di stato diventerà verde. Il dispositivo è stato reimpostato alle impostazioni di fabbrica predefinite. Se nessun server DHCP è disponibile in rete, l'indirizzo IP predefinito è 192.168.0.90
5. Utilizzare gli strumenti per l'installazione e la gestione del software per assegnare un indirizzo IP, impostare la password e accedere al flusso video.

Gli strumenti per l'installazione e la gestione del software sono disponibili nelle pagine dedicate all'assistenza sul sito Web axis.com/support

È anche possibile reimpostare i parametri ai valori predefiniti di fabbrica mediante l'interfaccia Web. Andare a **Impostazioni > Sistema > Manutenzione** e fare clic su **Predefinito**.

Ulteriori Informazioni

- Per la versione più recente di questo documento, visitare il sito all'indirizzo *axis.com*
- Il manuale per l'utente è disponibile all'indirizzo *axis.com*
- Per verificare se sono stati pubblicati aggiornamenti del firmware per il proprio dispositivo, vedere *axis.com/support*
- Per servizi di formazione utili e webinar, visita il sito *axis.com/academy*

Accessori opzionali

Per un elenco completo degli accessori disponibili per questo dispositivo, andare alla pagina del dispositivo al sito *axis.com* e selezionare Software e accessori.

AXIS Q6055-S PTZ Dome Network Camera

Specifiche

Per la versione più aggiornata della scheda tecnica del dispositivo, visitare il sito Web axis.com e trovare la sezione **Support & Documentation (Supporto e documentazione)**.

Indicatori LED

LED di stato	Indicazione
Spento	Connessione e funzionamento normale.
Verde	Una luce verde fissa per 10 secondi indica il normale funzionamento una volta completato l'avvio.
Giallo	Luce fissa durante l'avvio. Lampeggia durante l'aggiornamento del firmware o il ripristino delle impostazioni predefinite.
Giallo/rosso	Lampeggia in giallo/rosso se il collegamento di rete non è disponibile o è stato perso.
Rosso	Errore durante l'aggiornamento del firmware.

Slot per schede di memoria

AVISO

- Rischio di danneggiamento della scheda di memoria SD. Non utilizzare strumenti appuntiti oppure oggetti metallici e non esercitare eccessiva forza durante l'inserimento o la rimozione della scheda di memoria. Utilizzare le dita per inserire e rimuovere la scheda.
- Rischio di perdita di dati e danneggiamento delle registrazioni. Non rimuovere la scheda di memoria mentre il dispositivo è in funzione. Smontare la scheda di memoria dalle pagine Web del dispositivo prima di rimuoverla.

Questo dispositivo supporta schede di memoria SD/SDHC/SDXC.

Visitare axis.com per i consigli sulla scheda SD

Pulsanti

Pulsante di comando

Per l'ubicazione del pulsante di comando, vedere *Panoramica dell'hardware alla pagina 56*.

Il pulsante di comando viene utilizzato per:

- Ripristino del dispositivo alle impostazioni predefinite di fabbrica. Consultare *pagina 62*.

- Collegarsi a un servizio AXIS Video Hosting System. Per ulteriori informazioni su questo servizio, vedere il sito axis.com

Connettori

Multi-connettore

Connettore terminale per collegare il media converter switch in dotazione, che fornisce i seguenti segnali:

- Alimentazione CC
- Rete (Ethernet 10/100Base-T)
- Input/Output (I/O)

IT

Connettori multicavo e porte I/O

Nota

Il multicavo in dotazione è necessario per mantenere la classificazione NEMA/IP del dispositivo.

Il multicavo è connesso al multiconnettore della telecamera, vedere *Panoramica dell'hardware alla pagina 56*.

L'altra estremità del multicavo è collegata ad AXIS T8607 Media Converter Switch. Vedere la guida all'installazione del dispositivo per ulteriori informazioni, compresa una panoramica delle porte I/O.

Condizioni di funzionamento

Il dispositivo Axis è destinato all'uso esterno.

Classificazione	IEC 60721-4-3 Classe 3K3 IEC/EN 60529 IP66 ISO 20653 IP6K9K
Temperatura	Da -30 °C a 50 °C
Umidità	10-100% (umidità relativa con condensa)

Condizioni di immagazzinaggio

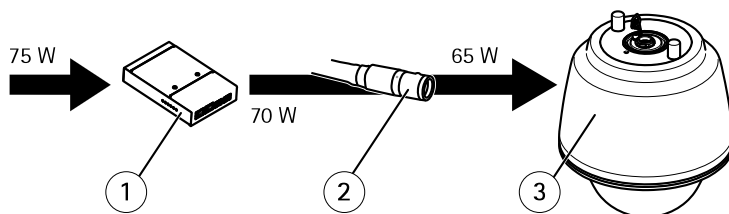
Temperatura	Da -40 °C a 65 °C (da -40 °F a 149 °F)
-------------	---

Specifiche elettriche

AWISO

Per stabilire la conformità ai requisiti di bassissima tensione di sicurezza (SELV) e potenza limitata (LPS), utilizzare l'alimentatore elettrico (venduto separatamente) consigliato da Axis. Visitare il sito Web www.axis.com per informazioni sugli accessori per l'alimentazione compatibili

Dispositivo	Funzione	Descrizione
Telecamera di rete Axis	Potenza di ingresso	24 V CC, min 65 W
AXIS T8607 Media Converter Switch	Tensione in ingresso	24 V CC
	Potenza di ingresso	min 75 W
	Potenza in uscita disponibile	min 70 W
	Tensione nominale in uscita	24 V CC
	Corrente in ingresso minima	3,2 A



- 1 *AXIS T8607 Media converter switch*
- 2 *Multicavo*
- 3 *Telecamera di rete Axis*

Informazioni di sicurezza

Livelli di pericolo

▲PERICOLO

Indica una situazione pericolosa che, se non evitata, provoca morte o lesioni gravi.

▲AVVERTENZA

Indica una situazione pericolosa che, se non evitata, potrebbe provocare la morte o lesioni gravi.

▲ATTENZIONE

Indica una situazione pericolosa che, se non evitata, potrebbe provocare lesioni medie o minori.

AWISO

Indica una situazione che, se non evitata, potrebbe danneggiare la proprietà.

IT

Altri livelli di messaggio

Importante

Indica informazioni importanti, essenziali per il corretto funzionamento del dispositivo.

Nota

Indica informazioni utili che aiutano a ottenere il massimo dal dispositivo.

AXIS Q6055-S PTZ Dome Network Camera

Informazioni di sicurezza

⚠AVVERTENZA

Il dispositivo Axis deve essere installato da un professionista qualificato, in conformità alle leggi e alle disposizioni locali.

AWISO

- Il dispositivo Axis deve essere utilizzato in conformità alle leggi e alle normative locali.
- Conservare il dispositivo Axis in un ambiente asciutto e ventilato.
- Evitare di esporre il dispositivo Axis a urti o pressioni eccessive.
- Non installare il dispositivo su supporti, superfici, pareti o pali instabili.
- Utilizzare solo strumenti applicabili quando si installa il dispositivo Axis. Se si utilizza una forza eccessiva con strumenti non adatti è possibile causare danni al dispositivo.
- Non utilizzare sostanze chimiche, agenti caustici o detergenti aerosol.
- Utilizzare un panno pulito inumidito in acqua pura per la pulizia.
- Utilizzare solo accessori compatibili con le specifiche tecniche del dispositivo. Questi possono essere forniti da Axis o da terze parti. Axis consiglia l'uso dell'apparecchiatura di alimentazione Axis compatibile con il dispositivo.
- Utilizzare solo parti di ricambio fornite o consigliate da Axis.
- Non tentare di riparare il dispositivo da soli. Contattare l'assistenza o il rivenditore Axis per questioni relative alla manutenzione.
- Non rivolgere l'obiettivo della telecamera verso il sole o altre sorgenti di radiazioni molto intense poiché si potrebbe danneggiare la telecamera.

Trasporto

AWISO

- Conservare l'imballaggio di protezione. Durante il trasporto del dispositivo Axis, l'imballaggio di protezione deve essere ricollocato nella sua posizione originale.
- Durante il trasporto del dispositivo Axis, utilizzare l'imballaggio originale o equivalente per evitare danni al dispositivo.

Batteria

Il dispositivo Axis utilizza una batteria al litio da 3,0 V BR2032 come alimentazione per il suo real-time clock (RTC) interno. In condizioni normali questa batteria avrà una durata minima di cinque anni.

Una bassa carica della batteria influisce sul funzionamento del RTC, facendolo resettare a ogni accensione. Quando la batteria deve essere sostituita, un messaggio di registro viene visualizzato

nel report server del dispositivo. Per ulteriori informazioni sul report server, vedere la pagina Web del dispositivo o contattare l'assistenza Axis.

Le batterie a bottone al litio da 3 V contengono 1,2-dimetossietano; etere dimetilico di glicole etilenico (EGDME), CAS n. 110-71-4.

⚠AVVERTENZA

- Rischio di esplosione se la batteria viene sostituita in modo errato.
- La batteria può essere sostituita solo con una batteria identica.
- Le batterie devono essere smaltite in base alle normative locali o alle istruzioni del produttore della batteria.

Cupola di protezione

AVVISO

- Fare attenzione a non graffiare, danneggiare o lasciare impronte sulla cupola di protezione, perché potrebbe diminuire la qualità dell'immagine. Se possibile, tenere la protezione in plastica sulla cupola di protezione fino a quando l'installazione non sarà completata.
- Non pulire la cupola di protezione che allo sguardo sembra pulita e non lucidare la superficie. Una pulizia eccessiva potrebbe danneggiare la superficie.
- Per la pulizia generale della cupola di protezione, si consiglia di utilizzare un sapone neutro o detergente non abrasivo con acqua pura e un panno morbido e pulito. Sciacquare bene con acqua pura tiepida. Asciugare con un panno morbido e pulito per evitare macchie d'acqua.
- Non usare mai detersivi aggressivi o alcool (isopropilico, butilico, propilico) ed evitare di pulire la cupola di protezione alla luce diretta del sole o a temperature elevate.

Contenido del paquete

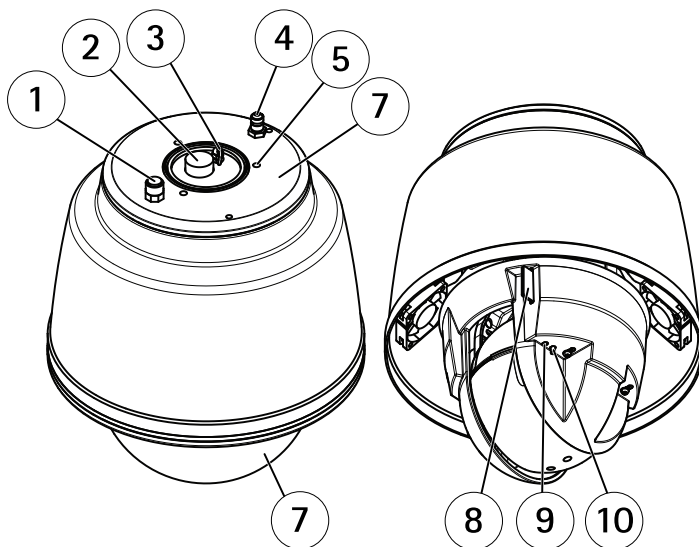
- Cámara de red domo PTZ AXIS Q6055-S
- Switch convertidor de mediosAXIS T8607
- Multicable (IP66), 7 m
- Clip de carril DIN
- Materiales impresos
 - Guía de instalación (este documento)
 - Etiqueta adicional con el número de serie (2)
 - Clave de autenticación AVHS

Información general del hardware

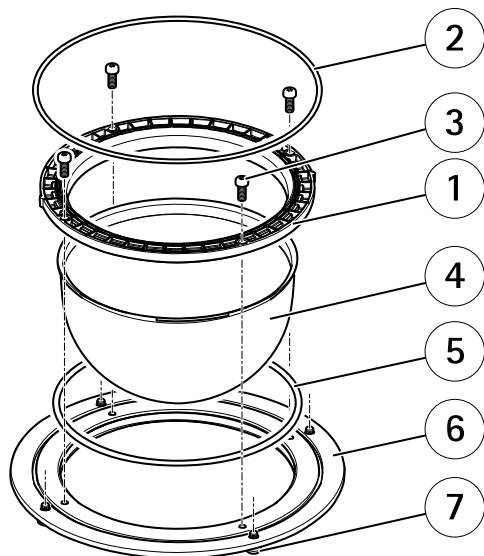
Para conocer las especificaciones de los componentes del hardware, vea *Especificaciones en la página 80*.

AVISO

Asegúrese de conectar el domo en modo de funcionamiento, si no, el enfoque puede verse afectado.



- 1 Válvula disipadora de presión
- 2 Multiconector
- 3 Gancho para cable de seguridad
- 4 Válvula de entrada
- 5 Orificio de montaje (3)
- 6 Número de pieza (P/N) y número de serie (S/N)
- 7 Domo
- 8 Ranura para tarjetas SD (SDHC)
- 9 LED indicador de Estado
- 10 Botón de control



- 1 Anillo de fijación del domo
- 2 Junta tórica
- 3 Tornillo del soporte del domo T20 (4)
- 4 Domo
- 5 Junta tórica
- 6 Anillo del domo
- 7 Tornillo del anillo del domo T25 (4)

Cómo instalar el producto

Lea todas las instrucciones antes de instalar el producto. Es recomendable realizar algunos pasos de la instalación juntos, ya que en ellos se precisa la extracción de la cubierta del domo.

AVISO

- Debido a la normativa local o a las condiciones ambientales y eléctricas en las que se vaya a utilizar el producto, puede que sea adecuado u obligatorio el uso de un cable de red blindado (STP). Todos los cables que conectan el producto a la red y que se utilicen en exteriores o en entornos eléctricos exigentes deberán estar blindados y diseñados para su uso específico. Asegúrese de que los dispositivos de red estén instalados de conformidad con las instrucciones del fabricante. Para obtener información sobre los requisitos normativos, vea *Regulatory information on page 4*.
- Monte el producto con la cubierta del domo mirando hacia abajo.
- Preste atención para no arañar, dañar o dejar las huellas en la cubierta del domo, puesto que esto puede provocar una disminución de la calidad de imagen. Si es posible, mantenga el plástico de protección en la cubierta del domo hasta que se complete la instalación.

El producto puede montarse tendiendo los cables a través de la pared o sobre esta, o en el techo.

Herramientas recomendadas

AVISO

El acero inoxidable es resistente a la corrosión, pero puede aparecer óxido externo si el material se manipula de forma incorrecta. Utilice herramientas de acero inoxidable para evitar la aparición de óxido y la corrosión por picadura.

- Destornillador Torx® T10 (tapa, abrazadera para cable)
- Alicates de zapata para cable (cable de tierra)
- Destornillador Torx® T20 (desmontaje de la cubierta del domo)
- Destornillador Torx® T25 (sustitución de domo)
- Llave/conector de 8 mm (abrazadera para manguera, soporte de poste AXIS T91C67)
- Llave/conector de 10 mm (adaptador de soporte AXIS T91C61, AXIS T94S01D, soporte en poste AXIS T91C67)
- Alicates de corte diagonal (cables)
- Pelacables (conexión de cable)

Cómo sustituir la cubierta del domo (opcional)

La cubierta del domo transparente premontada se puede sustituir si desea usar una cubierta ahumada o si la cubierta del domo se ha arañado o dañado. Su distribuidor de Axis puede proporcionarle las cubiertas del domo ahumadas y las normales de repuesto.

Utilice la guía de instalación que se incluye con la cubierta del domo.

Cómo instalar una tarjeta SD

La instalación de una tarjeta SD es opcional. Puede emplearse una tarjeta SD estándar o de gran capacidad (no incluida) para el almacenamiento local de grabaciones en el producto.

1. Afloje los tornillos del anillo del domo y extraiga la cubierta del domo.
2. Inserte una tarjeta SD en la ranura para tarjetas SD.
3. Fije la cubierta del domo a la cubierta superior y apriete los tornillos (par de torsión de 3,2 Nm).

Cómo presurizar la cámara (recomendado)

La carcasa de la cámara puede rellenarse con nitrógeno para evitar la condensación.

El proceso de llenado se repite tres veces, liberando la presión entre los distintos llenados, para asegurarse de que se purga todo el aire y la humedad de la carcasa.

Nota

La carcasa de la cámara tiene una válvula disipadora de presión que limita la presión de llenado a 0,5 bar. Durante el uso normal, la presión del interior de la carcasa de la cámara puede ser inferior a dicha presión. Para una protección total, asegúrese de que la presión sea superior a los 0,2 bar.

1. Establezca el regulador del cilindro de gas en 0,5 bar.
2. Retire las tapas de la válvula de entrada y la válvula disipadora de presión.
3. Coloque la abrazadera en la válvula de entrada y presione para rellenar la cámara con nitrógeno.
4. Cuando la presión del interior de la carcasa de la cámara alcance los 0,5 bar, la válvula disipadora de presión se abrirá. Coloque la mano sobre la válvula disipadora de presión para comprobar que fluye el gas.
5. Levante la válvula disipadora de presión para que el exceso de presión salga de la unidad de la cámara.
6. Repita el proceso de llenado un total de 3 veces de forma que, la última vez, la cámara quede presurizada.
7. Vuelva a colocar las tapas en la válvula de entrada y la válvula disipadora de presión.

Cómo instalar AXIS T8607 Media Converter Switch

El AXIS T8607 Media Converter Switch suministrado facilita que el multicable proporcione corriente desde la fuente de alimentación (se vende por separado); además de permitir que se envíen y reciban datos desde y hacia los dispositivos de alarma externos y la red.

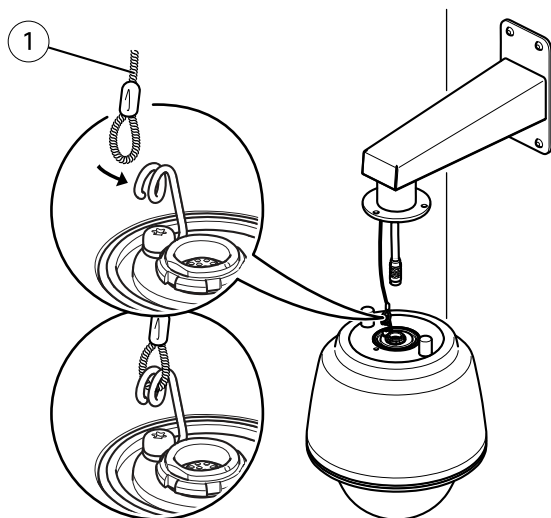
Para obtener información acerca de cómo instalar el AXIS T8607 Media Converter Switch, consulte la guía de instalación que se suministra con el producto.

Cómo instalar la cámara

AVISO

Para cumplir con el diseño de la clasificación IP66 de la cámara y mantener la protección IP66, debe usarse el multicable suministrado.

1. Instale el soporte seleccionado según las instrucciones que lo acompañan. Si es necesaria la perforación, asegúrese de usar brocas, tornillos y tacos apropiados para el material.
2. Pase el multicable por los orificios del soporte de montaje.
3. Fije la cámara con el cable de seguridad suministrado.



Ejemplo de montaje (el soporte de pared se vende por separado)

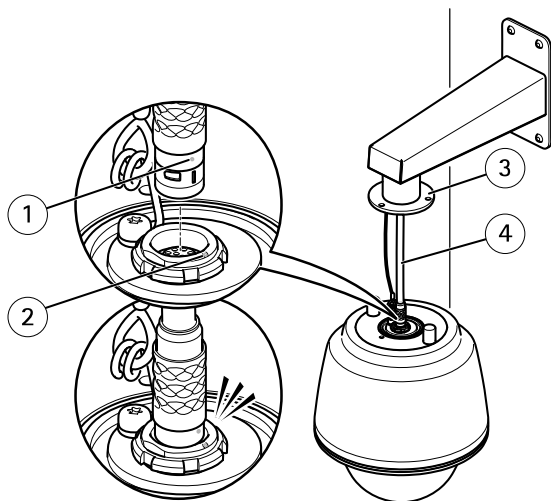
1 Cable de seguridad

4. Extraiga la tapa de protección que cubre el multiconector de la cámara.
5. Enchufe el multicable al conector de la cámara. Utilice los indicadores de alineación para encontrar la posición correcta.

AVISO

Asegúrese de no dañar el multicable cuando lo conecte.

6. Fije la cámara de red al soporte de montaje con los tornillos.



Ejemplo de montaje (el soporte de pared se vende por separado)

- 1 *Indicador de alineación: multicable*
- 2 *Indicador de alineación: cámara*
- 3 *Pestaña*
- 4 *Multicable*

Cómo acceder al producto

Para localizar dispositivos de Axis en la red y asignarles direcciones IP en Windows®, utilice AXIS IP Utility o AXIS Device Manager. Ambas aplicaciones son gratuitas y pueden descargarse desde axis.com/support

Para obtener más información sobre el uso del producto, consulte el manual del usuario, disponible en axis.com.

Cómo restablecer la configuración predeterminada de fábrica

Importante

Es preciso tener cuidado si se va a restablecer la configuración predeterminada de fábrica. Todos los valores, incluida la dirección IP, se restablecerán a la configuración predeterminada de fábrica.

Para restablecer el producto a la configuración predeterminada de fábrica:

1. Desconecte la alimentación del producto.
2. Mantenga pulsado el botón de control mientras vuelve a conectar la alimentación. Consulte .
3. Mantenga pulsado el botón de control durante 15-30 segundos hasta que el indicador LED de estado parpadee en ámbar.
4. Suelte el botón de control. El proceso finaliza cuando el indicador LED de estado se pone verde. El producto se ha restablecido a la configuración predeterminada de fábrica. Si no hay ningún servidor DHCP disponible en la red, la dirección IP predeterminada es 192.168.0.90.
5. Utilice las herramientas del software de instalación y gestión para asignar una dirección IP, establecer la contraseña y acceder a la transmisión de vídeo.

Las herramientas de software de instalación y gestión están disponibles en las páginas de servicio técnico de axis.com/support

También es posible restablecer los parámetros a los valores predeterminados de fábrica mediante la interfaz web. Vaya a **Settings > System > Maintenance (Ajustes > Sistema > Mantenimiento)** y haga clic en **Default (Predeterminado)**.

Más información

- Para consultar la versión más reciente de este documento, vaya a axis.com.
- El manual de usuario se encuentra disponible en axis.com.
- Para comprobar si existe un firmware actualizado disponible para su dispositivo, vaya a axis.com/support.
- Para consultar webinars y cursos en línea que pueden resultarle útiles, vaya a axis.com/academy.

Accesorios opcionales

Para conocer una lista completa de los accesorios disponibles para este producto, vaya a la página de productos en axis.com y seleccione Software y accesorios.

AXIS Q6055-S PTZ Dome Network Camera

Especificaciones

Para acceder a la versión más reciente de la hoja de datos del producto, visite la página del producto en axis.com y localice **Support & Documentation (Soporte técnico y documentación)**.

Indicadores LED

LED de estado	Indicación
Apagado	Conexión y funcionamiento normal.
Verde	Se muestra fijo durante diez segundos para indicar un funcionamiento normal después de completar el inicio.
Ámbar	Fijo durante el inicio. Parpadea en verde durante la actualización del firmware o el restablecimiento a la configuración predeterminada de fábrica.
Ámbar/rojo	Parpadea en ámbar/rojo si la conexión a la red no está disponible o se ha perdido.
Rojo	Error durante la actualización del firmware.

Ranura para tarjetas SD

AVISO

- Riesgo de daños en la tarjeta SD. No emplee herramientas afiladas, objetos de metal ni demasiada fuerza al insertar o extraer la tarjeta SD. Utilice los dedos para insertar o extraer la tarjeta.
- Riesgo de pérdida de datos y grabaciones dañadas. No extraiga la tarjeta SD mientras el producto esté en funcionamiento. Desinstale la tarjeta SD desde la página web de producto antes de retirarla.

Este producto admite tarjetas SD/SDHC/SDXC.

Para conocer las recomendaciones sobre tarjetas SD, consulte axis.com.

Botones

Botón de control

Para conocer la ubicación del botón de control, consulte *Información general del hardware en la página 72*.

El botón de control se utiliza para lo siguiente:

- Restablecer el producto a la configuración predeterminada de fábrica. Consulte *página 78*.
- Conectarse a un servicio AXIS Video Hosting System. Para obtener más información acerca de este servicio, visite *axis.com*

Conectores

Multiconector

Conector de terminales para la conexión del conmutador de conversión de medios suministrado, que proporciona las señales siguientes:

- Alimentación de CC
- Red (Ethernet 10/100Base-T)
- Entrada/salida (E/S)

ES

Conectores de multicable y puertos de E/S

Nota

Es necesario utilizar el multicable suministrado para mantener la clasificación NEMA/IP de la cámara.

El multicable se conecta al multiconector de la cámara, consulte *Información general del hardware en la página 72*.

El otro extremo del multicable se conecta al AXIS T8607 Media Converter Switch suministrado. Consulte la guía de instalación de ese producto para obtener más información, incluida una vista completa de los puertos de E/S.

Condiciones de funcionamiento

El producto de Axis se ha diseñado para su uso en exterior.

Clasificación	IEC 60721-4-3 Clase 3K3 IEC/EN 60529 IP66 ISO 20653 IP6K9K
Temperatura	De -30 °C a 50 °C
Humedad	Humedad relativa del 10 al 100 % (con condensación)

AXIS Q6055-S PTZ Dome Network Camera

Condiciones de almacenamiento

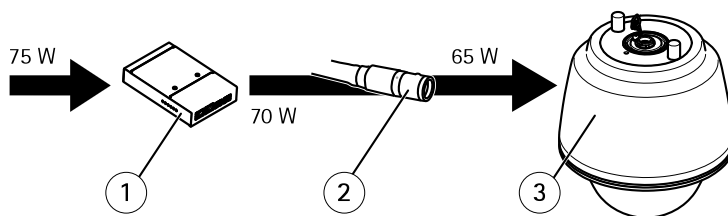
Temperatura	De -40 °C a 65 °C
-------------	-------------------

Especificaciones eléctricas

AVISO

Para confirmar el cumplimiento con los requisitos de seguridad de baja tensión (SELV) y de fuente de alimentación limitada (LPS), use la fuente de alimentación recomendada por Axis (se vende por separado). Para información sobre los accesorios de alimentación compatibles, visite www.axis.com.

Producto	Función	Descripción
Cámara de red Axis	Alimentación de entrada	24 V CC, 65 W mín.
AXIS T8607 Media Converter Switch	Tensión de entrada	24 V CC
	Alimentación de entrada	75 W mín.
	Potencia de salida disponible	70 W mín.
	Tensión de salida nominal	24 V CC
	Corriente de entrada mínima	3,2 A



- 1 *AXIS T8607 Media converter switch*
- 2 *Multicable*
- 3 *Cámara de red Axis*

Información de seguridad

Niveles de peligro

▲PELIGRO

Indica una situación peligrosa que, si no se evita, provocará lesiones graves o la muerte.

▲ADVERTENCIA

Indica una situación peligrosa que, si no se evita, puede provocar lesiones graves o la muerte.

▲ATENCIÓN

Indica una situación peligrosa que, si no se evita, puede provocar lesiones moderadas o leves.

AVISO

Indica una situación peligrosa que, si no se evita, puede provocar daños materiales.

ES

Otros niveles de mensaje

Importante

Indica información importante que es fundamental para que el producto funcione correctamente.

Nota

Indica información útil que ayuda a aprovechar el producto al máximo.

Instrucciones de seguridad

⚠ADVERTENCIA

El producto de Axis debe instalarlo un profesional formado conforme las leyes y normativas locales.

AVISO

- Este producto de Axis debe utilizarse de acuerdo con las leyes y normativas locales.
- Almacene el producto de Axis en un entorno seco y ventilado.
- Evite la exposición del producto de Axis a choques o a una fuerte presión.
- No instale el producto en postes, soportes, superficies o paredes inestables.
- Utilice solo las herramientas correspondientes cuando instale el producto de Axis. La aplicación de una fuerza excesiva con herramientas eléctricas puede provocar daños en el producto.
- No utilice limpiadores en aerosol, agentes cáusticos ni productos químicos.
- Limpie con un paño limpio humedecido con agua pura.
- Utilice solo accesorios que cumplan con las especificaciones técnicas de su producto. Estos accesorios los puede proporcionar Axis o un tercero. Axis recomienda utilizar un equipo de suministro de alimentación de Axis compatible con su producto.
- Utilice solo piezas de repuesto proporcionadas o recomendadas por Axis.
- No intente reparar el producto usted mismo. Póngase en contacto con el servicio de asistencia técnica de Axis o con su distribuidor de Axis para tratar asuntos de reparación.
- No coloque el objetivo de la cámara apuntando hacia el sol u otras fuentes de radiación de alta intensidad ya que podría dañar la cámara.

Transporte

AVISO

- Mantenga el embalaje de protección. Cuando transporte el producto de Axis, el embalaje de protección debe volver a ponerse en su posición original.
- Cuando transporte el producto de Axis, utilice el embalaje original o un equivalente para evitar daños en el producto.

Batería

Este producto de Axis utiliza una batería de litio BR2032 de 3,0 V como fuente de alimentación del reloj interno en tiempo real. En condiciones normales, esta batería durará un mínimo de cinco años.

Un nivel bajo de batería afectará al funcionamiento del reloj en tiempo real, lo que provocará el restablecimiento de este cada vez que se encienda el producto. Cuando sea necesario sustituir la batería, aparecerá un mensaje de registro en el informe del servidor del producto. Para obtener

más información sobre el informe del servidor, consulte la página web del producto o póngase en contacto con el soporte técnico de Axis.

Las pilas de botón de litio de 3,0 V contienen 1,2-dimetoxietano; éter dimetilico de etilenglicol (EGDME), n.º CAS 110-71-4.

⚠ADVERTENCIA

- La sustitución incorrecta de la batería implica riesgo de explosión.
- La batería solo debe sustituirse por una batería idéntica.
- Las baterías usadas deben desecharse de conformidad con la normativa local o las instrucciones del fabricante.

Cubierta del domo

AVISO

- Preste atención a no arañar, dañar o dejar las huellas en la cubierta del domo, puesto que esto puede provocar una reducción en la calidad de imagen. Si es posible, mantenga el plástico de protección en la cubierta del domo hasta que se complete la instalación.
- No limpie la cubierta del domo si parece a simple vista que está limpia y nunca pule la superficie. Una limpieza excesiva podría dañar la superficie.
- Para realizar un procedimiento de limpieza general de la cubierta del domo se recomienda usar detergente o jabón neutros, sin disolventes y no abrasivos mezclados con agua pura, y un paño suave y limpio. Enjuague bien con agua pura y tibia. Seque con un trapo limpio y suave para evitar las manchas de gotas de agua.
- Nunca utilice detergentes abrasivos o alcoholes (isopropilo, butilo y propilo) y evite limpiar la cubierta del domo a temperaturas elevadas o en contacto directo con la luz solar.

ES

パッケージの内容

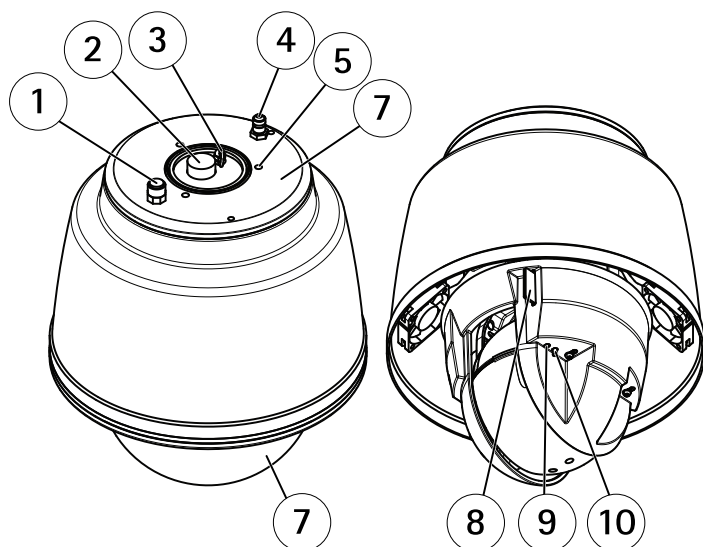
- AXIS Q6055-S PTZドームネットワークカメラ
- AXIS T8607メディアコンバータスイッチ
- マルチケーブル (IP66)、7 m
- DINレールクリップ
- 印刷物
 - インストールガイド (本書)
 - 予備のシリアル番号ラベル (2枚)
 - AVHS認証キー

ハードウェアの概要

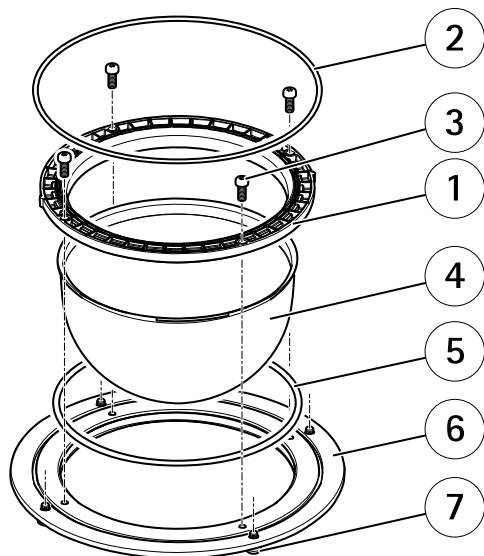
ハードウェアコンポーネントの仕様については、96ページの、仕様を参照してください。

注記

ドームは動作モードで取り付けてください。そうしないとフォーカスに影響する場合があります。



- 1 圧力安全バルブ
- 2 マルチコネクタ
- 3 安全ワイヤーフック
- 4 吸入バルブ
- 5 取付け穴 (×3)
- 6 型番 (P/N) とシリアル番号 (S/N)
- 7 ドーム
- 8 SDカードスロット (SDHC)
- 9 ステータスLEDインジケータ
- 10 コントロールボタン



- 1 ドーム取り付けリング
- 2 O-リング
- 3 ドームブラケットネジT20 (×4)
- 4 ドーム
- 5 O-リング
- 6 ドームリング
- 7 ドームリングネジT25 (×4)

製品の取り付け方法

製品を取り付ける前に、すべての説明に目を通してください。一部の設置手順ではドームカバーを取り外さなければならない場合があるため、読んでおくに役立ちます。

注記

- 本製品を使用する場所の地域条例、環境、電気的条件下によっては、シールドネットワークケーブル (STP) の使用が推奨または必須になります。本製品をネットワークに接続して屋外または電氣的に厳しい環境に配線する場合は、用途に合ったネットワークケーブルを使用してください。ネットワーク装置がメーカーの指示どおりに設置されていることを確認します。法的要件については、*Regulatory information on page 4*を参照してください。
- 本製品はドームカバーを下向きにして取り付けてください。
- 画質低下の原因となるので、ドームカバーに傷や指紋を付けたり、損傷しないように注意してください。可能であれば、設置が完了するまでドームカバーに保護プラスチックを付けたままにしてください。

本製品は、配線を壁や天井に沿って、あるいは中を通して設置することができます。

推奨ツール

注記

ステンレススチールには耐腐食性がありますが、材質の取り扱いを誤ると、外側がさびる可能性があります。さび汚れや孔食を防ぐには、ステンレス製の工具を使用してください。

- トルクス® T10ドライバー (蓋、ケーブルクランプ)
- ケーブルシュープライヤー (アースケーブル)
- トルクス® T20ドライバー (ドームカバーの取り外し)
- トルクス® T25ドライバー (ドーム交換)
- 8 mmレンチ/ソケット (ホースクランプ、AXIS T91C67支柱 Pole Bracket)
- 10 mmレンチ/ソケット (ブラケットアダプターAXIS T91C61、AXIS T94S01D、AXIS T91C67 Pole Bracket)
- ニッパー (ケーブル)
- 電線ストリッパー (ケーブル接続)

ドームカバーの交換方法 (オプション)

スモークドームカバーを使用したい場合や、ドームカバーに傷が付いたり、損傷したりした場合、装着済みの透明ドームカバーを交換できます。スモークドームカバーおよび交換用の透明ドームカバーは、Axisの販売代理店から購入できます。

ドームカバーに付属のインストールガイドを使用してください。

SDカードの装着方法

SDカードは、必要に応じて装着します。標準または大容量のSDカード(非付属品)を使用すると、録画をローカルに保存することができます。

1. ドームリングネジをゆるめてドームカバーを取り外します。
2. SDカードをSDカードスロットに挿入します。
3. ドームカバーを上蓋に取り付け、ネジを締めます(トルク3.2 Nm)。

カメラの加圧方法(推奨)

カメラの筐体に窒素ガスを充填することで結露を防止できます。

充填プロセスは3回繰り返しますが、充填間の圧力差が出ないようにすることで、空気および湿気を筐体からすべて排除します。

注意

カメラ筐体には充填圧を0.5バール(7 psi)に制限する圧力安全バルブが付いています。通常使用下では、カメラ筐体の内圧が低下してその圧力を下回ります。完全に防止するには、圧力が0.2バール(3 psi)を超えるようにしてください。

JA

1. ガスシリンダのレギュレータゲージを0.5バール(7 psi)に設定します。
2. キャップを吸入バルブおよび圧力安全バルブから取り外します。
3. 吸入バルブにチャックを配置し、押しつけてカメラに窒素を入れます。
4. カメラ筐体の内圧が0.5 bar(7 psi)に達すると、圧力安全バルブが開きます。圧力安全バルブに手を当て、ガスが流出していることを確認します。
5. 圧力安全バルブを持ち上げ、過剰圧力がカメラユニットから排出されるようにします。
6. 充填プロセスを計3回繰り返しますが、前回と同じ圧力になるようにしてカメラを加圧します。
7. キャップを吸入バルブおよび圧力安全バルブに戻します。

AXIS T8607 Media Converter Switchの取り付け方法

AXIS T8607 Media Converter Switchを使用すると、マルチケーブルで電源(別売)から電力を送ることができ、外部アラームデバイスやネットワークとの間でデータを送受信することができます。

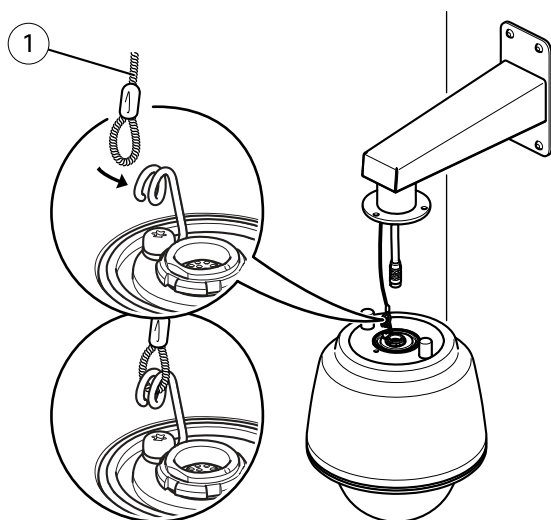
AXIS T8607 Media Converter Switchの取り付けに関するすべての情報については、製品に付属のインストールガイドを参照してください。

カメラの設置方法

注記

カメラのIP66対応設計に準拠し、IP66保護等級を維持するため、必ず付属のマルチケーブルを使用してください。

1. ブラケット付属の説明書に従って、ブラケットを取り付けます。ドリルによる穴開けが必要な場合は、素材に適したドリルビット、ネジ、プラグを使用してください。
2. マルチケーブルを取り付けブラケットの穴に通します。
3. 付属の安全ワイヤーを使用してカメラを固定します。



取り付け例 (別売の壁面ブラケットを使用)

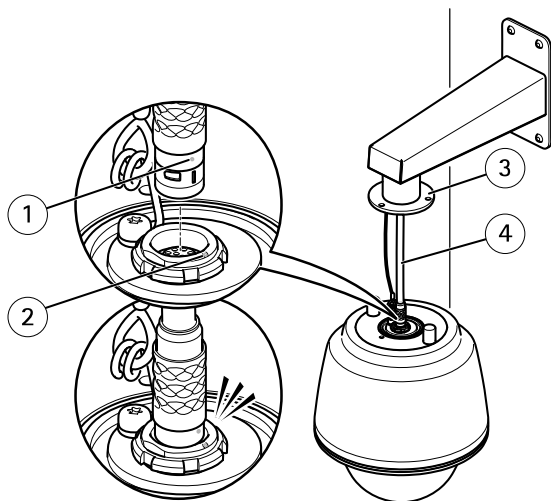
1 安全ワイヤー

4. カメラのマルチコネクタの保護キャップを取り外します。
5. マルチケーブルをカメラのコネクタに接続します。位置合わせ用インジケータを使用して、正しい位置に合わせます。

注記

接続時にマルチケーブルを傷つけないよう、注意してください。

6. ネットワークカメラをネジで取り付けブラケットに固定します。



取り付け例 (別売の壁面ブラケットを使用)

- 1 位置合わせ用インジケータ－マルチケーブル
- 2 位置合わせ用インジケータ－カメラ
- 3 フランジ
- 4 マルチケーブル

JA

製品のアクセス方法

Windows®でネットワーク上のAxisデバイスを見つけて、それらにIPアドレスを割り当てるには、AXIS IP UtilityまたはAXIS Device Managerを使用します。いずれのアプリケーションも無料で、axis.com/supportからダウンロードできます。

製品の使用の詳細については、Axisのホームページ (axis.com) でユーザーズマニュアルを参照してください

工場出荷時の設定にリセットする方法

重要

工場出荷時の設定へのリセットは慎重に行ってください。工場出荷時の設定へのリセットを行うと、IPアドレスを含むすべての設定が工場出荷時の値にリセットされます。

本製品を工場出荷時の設定にリセットするには、以下の手順を実行します。

1. 本製品の電源を切ります。
2. コントロールボタンを押した状態で電源を再接続します。 を参照してください。
3. ステータスLEDインジケーターが黄色に点滅するまで、コントロールボタンを15～30秒間押し続けます。
4. コントロールボタンを離します。プロセスが完了すると、ステータスLEDが緑色に変わります。これで本製品は工場出荷時の設定にリセットされました。ネットワーク上に利用可能なDHCPサーバーがない場合、デフォルトのIPアドレスは192.168.0.90になります。
5. インストールおよび管理ソフトウェアツールを使用してIPアドレスの割り当て、パスワードの設定、ビデオストリームへのアクセスを行います。
*axis.com/support*のサポートページに、インストールおよび管理ソフトウェアツールが用意されています。

Webインターフェースを使用して、各種パラメーターを工場出荷時の設定に戻すこともできます。 **[Settings > System > Maintenance (設定 > システム > メンテナンス)]** を選択し、 **[Default (デフォルト)]** をクリックします。

関連情報

- 本書の最新バージョンについては、axis.comにアクセスしてください。
- ユーザーズマニュアルは、axis.comで入手できます。
- ご使用のデバイスの新しいファームウェアがリリースされていないかを確認するには、axis.com/supportにアクセスしてください。
- 役に立つオンライントレーニングおよびWebセミナーをご用意しております。axis.com/academyをご覧ください。

オプションアクセサリー

本製品で利用可能なすべてのアクセサリーについては、axis.comで本製品のページを開いて「ソフトウェア&アクセサリー」を参照してください。

AXIS Q6055-S PTZ Dome Network Camera

仕様

最新バージョンの製品のデータシートについては、axis.comで本製品のページを開いて「Support & Documentation (サポートとドキュメント)」へお進みください。

LEDインジケーター

ステータスLED	説明
無点灯	接続時と正常動作時は、無点灯のままです。
緑	起動後正常に動作する場合、10秒間、緑色に点灯します。
黄	起動時に点灯し、ファームウェアのアップグレード時と工場出荷時設定へのリセット時に点滅します。
黄/赤	ネットワーク接続が利用できないか、失われた場合は、黄色/赤色で点滅します。
赤	ファームウェアのアップグレード失敗。

SDカードスロット

注記

- SDカード損傷の危険があります。SDカードの挿入と取り外しの際には、鋭利な工具や金属性の物を使用したり、過剰な力をかけたりしないでください。カードの挿入や取り外しは指で行ってください。
- データ損失や録画データ破損の危険があります。本製品の稼働中はSDカードを取り外さないでください。取り外しの前に、製品のWebページからSDカードをマウント解除してください。

本製品は、SD/SDHC/SDXCカードに対応しています。

推奨するSDカードについては、axis.comを参照してください

ボタン

コントロールボタン

コントロールボタンの位置については、88ページの、ハードウェアの概要を参照してください。

コントロールボタンは、以下の用途で使用します。

- 製品を工場出荷時の設定にリセットする。94ページを参照してください。
- AXIS Video Hosting Systemサービスに接続する。このサービスの詳細については、axis.comを参照してください。

コネクタ

マルチコネクタ

付属のメディアコンバータスイッチを接続する端末コネクタで、以下の信号を供給します。

- DC電源
- ネットワーク (Ethernet 10/100Base-T)
- 入出力 (I/O)

マルチケーブルコネクタおよびI/Oポート

注意

カメラのNEMA/IP定格を維持するため、付属のマルチケーブルが必要になります。

JA

マルチケーブルはカメラのマルチコネクタに接続されています。88ページの、ハードウェアの概要を参照してください。

マルチケーブルの他端は付属のAXIS T8607 Media Converter Switchに接続されています。I/Oポートの概要を含む詳細については、製品のインストールガイドを参照してください。

動作条件

本製品は屋外対応モデルです。

等級	IEC 60721-4-3 Class 3K3 IEC/EN 60529 IP66 ISO 20653 IP6K9K
温度	-30 ° C ~ 50 ° C
湿度	10 ~ 100% RH (結露可)

AXIS Q6055-S PTZ Dome Network Camera

保管条件

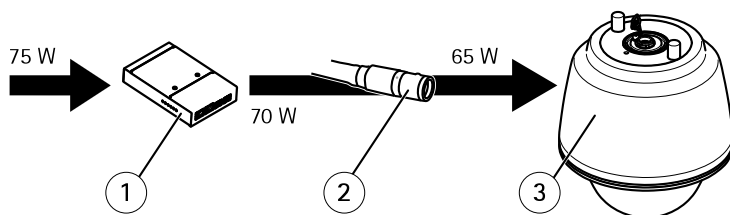
温度	-40 ° C ~ 65 ° C
----	------------------

電氣的仕様

注記

安全特別低電圧 (SELV) および制限電源 (LPS) の要件を満たすため、Axis推奨の電源 (別売) を使用してください。互換性のある電源アクセサリについては、www.axis.comを参照してください。

製品	機能	説明
Axisネットワークカメラ	入力電力	24 V DC、最小65 W
AXIS T8607 Media Converter Switch	入力電圧	24 V DC
	入力電力	最小75 W
	出力可能な電力	最小70 W
	通常出力電圧	24 V DC
	最低入力電流	3.2 A



- 1 AXIS T8607 Media converter switch
- 2 マルチケーブル
- 3 Axisネットワークカメラ

安全情報

危険レベル

▲危険

回避しない場合、死亡または重傷につながる危険な状態を示します。

▲警告

回避しない場合、死亡または重傷につながるおそれのある危険な状態を示します。

▲注意

回避しない場合、軽傷または中程度の怪我につながるおそれのある危険な状態を示します。

注記

回避しない場合、器物の破損につながるおそれのある状態を示します。

その他のメッセージレベル

重要

製品を正しく機能させるために不可欠な重要情報を示します。

注意

製品を最大限に活用するために役立つ有用な情報を示します。

AXIS Q6055-S PTZ Dome Network Camera

安全手順

▲警告

本製品の設置は、お使いになる地域の法律や規制に準拠して、訓練を受けた専門技術者が行ってください。

注記

- 本製品は、お使いになる地域の法律や規制に準拠して使用してください。
- 本製品は乾燥した換気のよい環境に保管してください。
- 本製品に衝撃または強い圧力を加えないでください。
- 本製品を不安定なポール、ブラケット、表面、または壁に設置しないでください。
- 本製品を設置する際には、適切な工具のみを使用してください。電動工具を使用して過剰な力をかけると、製品が損傷することがあります。
- 化学薬品、腐食剤、噴霧式クリーナーは使用しないでください。
- 清掃には、きれいな水に浸した清潔な布を使用してください。
- 製品の技術仕様に準拠したアクセサリのみを使用してください。これらのアクセサリは、Axisまたはサードパーティから入手できます。Axisは、ご使用の製品と互換性のあるAxis給電ネットワークスイッチの使用を推奨します。
- Axisが提供または推奨する交換部品のみを使用してください。
- 製品を自分で修理しないでください。修理については、Axisサポートまたは販売代理店にお問い合わせください。
- 太陽などの高輝度の光源にはカメラのレンズを向けないでください。カメラが損傷することがあります。

輸送

注記

- 保護包装は保管しておいてください。本製品を輸送する際には、必ず保護包装を元の位置に戻してください。
- 本製品を運搬する際は、製品が損傷しないよう、元の梱包が同等の梱包を使用してください。

バッテリー

本製品は、内部リアルタイムクロック (RTC) 用電源として、3.0 V BR2032リチウムバッテリーを使用します。このバッテリーは、通常条件下で最低5年間使用できます。

バッテリーが低電力状態になると、RTCの動作に影響し、電源を入れるたびにRTCがリセットされます。バッテリーの交換が必要になると、製品のサーバーレポートに

ログメッセージが表示されます。サーバーレポートの詳細については、製品のWebページを参照するか、Axisサポートまでお問い合わせください。

リチウムコイン型3.0V電池は、1,2-ジメトキシエタン(エチレングリコールジメチルエーテル(EGDME)、CAS番号110-71-4)を含有しています。

▲警告

- バッテリーは、正しく交換しないと爆発する危険があります。
- バッテリーを交換する場合は、同一品のみを使用してください。
- 使用済みバッテリーは、地域の規制またはバッテリーメーカーの指示に従って廃棄してください。

ドームカバー

注記

- 画質低下の原因となるので、ドームカバーに傷や指紋を付けたり、損傷しないように注意してください。可能であれば、設置が完了するまでドームカバーに保護プラスチックを付けたままにしてください。
- 肉眼で見ても汚れがない場合は、ドームカバーを掃除しないでください。また、絶対に表面を磨かないでください。過度な清掃により、表面が破損することがあります。
- ドームカバーの通常のクリーニングには、磨耗防止タイプの無溶媒の中性石鹸またはきれいな水で薄めた洗剤と、柔らかい清潔な布を使用することをお勧めします。洗浄後、きれいなぬるま湯でよくすすいでください。水滴の跡が付かないよう、清潔な柔らかい布で拭いて乾かしてください。
- 強力な洗剤、アルコール(イソプロピル、ブチル、プロピル)は絶対に使用しないでください。また直射日光が当たる場所や気温が上昇する場所での、ドームカバーの清掃は避けてください。

包装内容

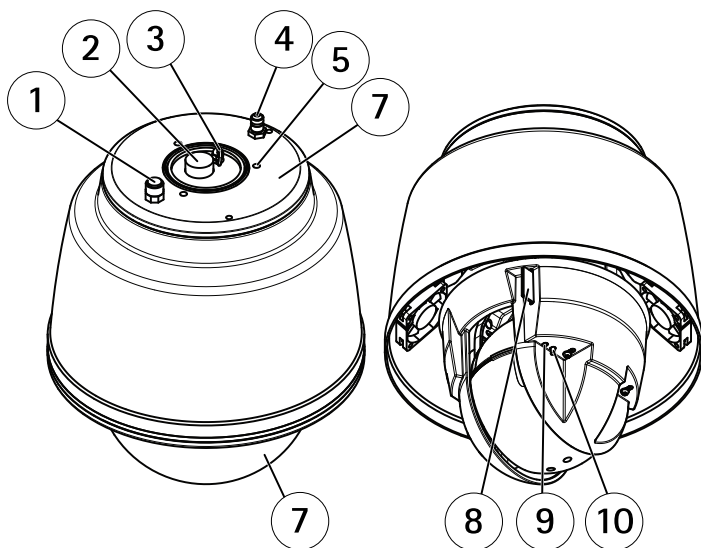
- AXIS Q6055-S PTZ 半球网络摄像机
- AXIS T8607 媒体转换器交换机
- 多芯电缆 (IP66), 7 米 (23 英寸)
- DIN 轨道夹
- 印刷资料
 - 安装指南 (本文档)
 - 额外的序列号 (2 个)
 - AVHS 身份验证密钥

硬件概览

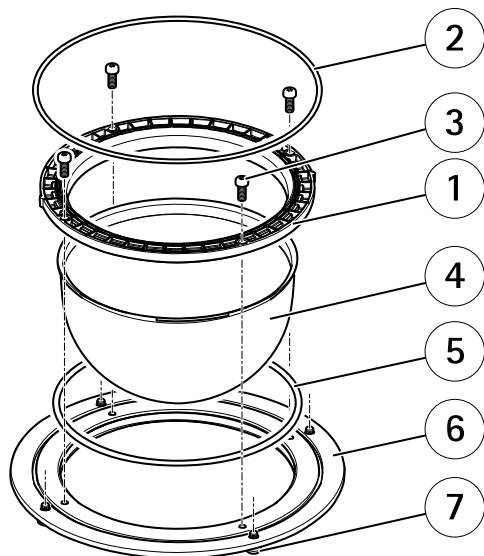
有关硬件组件的规格，请参见 *规格* 在第112页。

注意

确保在操作模式下连接半球，否则可能会影响对焦。



- 1 泄压阀
- 2 复式连接器
- 3 安全线挂钩
- 4 进气阀
- 5 安装孔 (3个)
- 6 部件号 (P/N) 和序列号 (S/N)
- 7 半球
- 8 SD 卡插槽 (SDHC)
- 9 状态 LED 指示灯
- 10 控制按钮



- 1 半球连接环
- 2 O形环
- 3 半球支架螺丝 T20 (4 颗)
- 4 半球
- 5 O形环
- 6 半球环
- 7 半球环螺丝 T25 (4 颗)

如何安装产品

安装产品之前，请阅读说明。某些安装步骤一起完成可能更好，因为它们都需要移除半球罩。

注意

- 由于当地法规或产品使用场所的环境和电气条件，可能需要使用屏蔽网络电缆 (STP)。将产品连接到网络的电缆以及在室外或恶劣电气环境中布放的电缆应专用于其特定用途。确保根据制造商的说明安装网络设备。有关法规要求的信息，请参见 *Regulatory information on page 4*。
- 安装产品时，半球罩朝下。
- 小心不要划伤、损坏或在半球罩上留下指纹，因为这可能会降低图像质量。如果可能，请保留半球罩上的保护塑料，直至安装完成。

安装该产品时，可以穿过或沿着墙壁或屋顶布线。

推荐的工具

注意

不锈钢是耐腐蚀的，但如果材料处理不当，可能会出现外部锈蚀。使用不锈钢工具，以避免锈斑或点蚀。

- Torx® 螺丝刀 T10 (盖子、电缆夹)
- 电缆套管钳 (接地电缆)
- Torx® 螺丝刀 T20 (半球罩移除)
- Torx® 螺丝刀 T25 (半球更换)
- 8 毫米 (5/16 英寸) 扳手/套筒 (软管夹、AXIS T91C67 立杆支架)
- 10 毫米 (3/8 英寸) 扳手/套筒 (支架适配器 AXIS T91C61、AXIS T94S01D、AXIS T91C67 立杆支架)
- 斜嘴钳 (电缆)
- 剥线工具 (电缆连接)

如何更换半球罩 (可选)

如果要使用烟色半球罩或半球罩被划伤或损坏，则可更换预安装的透明半球罩。烟色半球罩和备用透明半球罩可从安讯士经销商处购买。

使用半球罩随附的安装指南。

如何安装 SD 卡

安装 SD 卡是可选的。标准或大容量 SD 卡 (不包括) 可用于在产品中本地存储录制内容。

1. 松开半球环螺丝，然后取下半球罩。
2. 将 SD 卡插入 SD 卡插槽。
3. 将半球罩连接到顶盖，然后拧紧螺丝（扭矩 3.2 Nm）。

摄像机增压方式（推荐）

摄像机外壳可充入氮气，以防止冷凝。

填充过程将重复三次，以释放填充物之间的压力，从而确保从外壳中清除空气和湿度。

备注

摄像机外壳有一个泄压阀，可将填充压力限制为 0.5 bar (7 psi)。在正常使用期间，摄像机外壳内的压力可能下降到该压力以下。为了实现可靠保护，请确保该压力高于 0.2 bar (3 psi)。

1. 将气缸上的压力表设置为 0.5 bar (7 psi)。
2. 取下进气阀和泄压阀上的盖子。
3. 将卡盘放在进气阀上，然后按下以向摄像机充入氮气。
4. 当摄像机外壳内的压力达到 0.5 bar (7 psi) 时，泄压阀将打开。将手放在泄压阀上方，以验证是否有气体流出。
5. 提起泄压阀，让过多压力从摄像机单元中释放出来。
6. 重复填充过程三次，并在最后一次让摄像机加压。
7. 盖上进气阀和泄压阀盖子。

ZH

如何安装 AXIS T8607 Media Converter Switch

AXIS T8607 Media Converter Switch 能够通过多芯电缆从电源（单独出售）供电，并实现与外部报警设备和网络之间的数据收发。

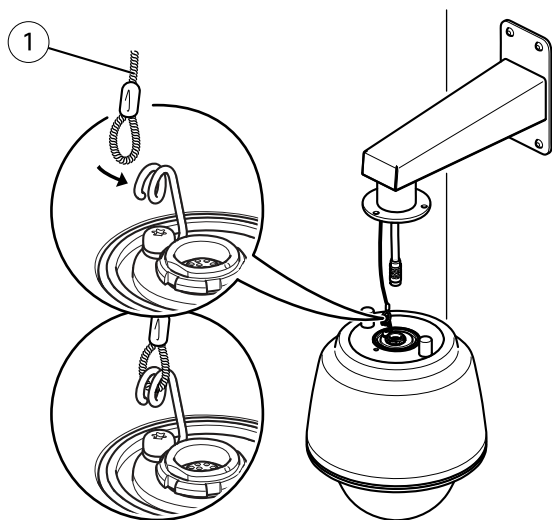
有关安装 AXIS T8607 Media Converter Switch 的全部信息，请参见该产品随附的单独安装指南。

如何安装摄像机

注意

为了符合 IP66 级摄像机设计要求并维持 IP66 防护，应使用随附的多芯电缆。

1. 根据支架随附的说明安装所选支架。如果需要钻孔，请确保使用适合该材料的钻头、螺丝和塞子。
2. 将多芯电缆穿过安装支架上的孔。
3. 使用随附的安全线固定摄像机。



安装示例 (墙挂支架单独出售)

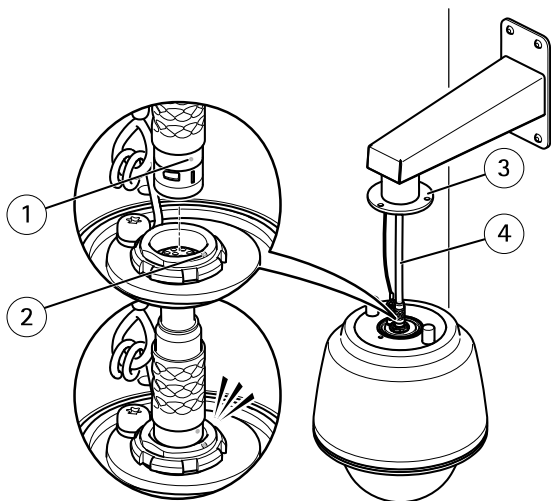
1 安全线

4. 卸下摄像机上覆盖复式连接器的保护盖。
5. 将多芯电缆连接到摄像机上的连接器。使用对准指示器找到正确的位置。

注意

连接时，小心不要损坏多芯电缆。

6. 使用螺丝将网络摄像机固定到安装支架。



安装示例 (墙挂支架单独出售)

- 1 对准指示器 - 多芯电缆
- 2 对准指示器 - 摄像机
- 3 法兰
- 4 多芯电缆

ZH

如何访问产品

若要在网络中查找安讯士设备并为它们分配 Windows® 中的 IP 地址，请使用 AXIS IP Utility 或 AXIS 设备管理器。这两种应用程序都是免费的，可以从 axis.com/support 上进行下载

有关使用产品的更多信息，请参阅 axis.com 上提供的用户手册

如何重置为出厂默认设置

重要

重置为出厂默认设置时应谨慎。重置为出厂默认设置会将所有设置（包括 IP 地址）重置为出厂默认设置。

将产品重置为出厂默认设置：

1. 断开产品电源。
2. 按住控制按钮，同时重新连接电源。请参见。
3. 按住控制按钮 15–30 秒，直到状态 LED 指示灯呈淡黄色闪烁。
4. 松开控制按钮。当状态 LED 指示灯变绿时，此过程完成。产品已重置为出厂默认设置。如果网络上没有可用的 DHCP 服务器，则默认 IP 地址为 192.168.0.90
5. 使用安装和管理软件工具分配 IP 地址、设置密码和访问视频流。

安装和管理软件工具可在 axis.com/support 的支持页上获得

也可通过网页界面将参数重置为出厂默认设置。转到**设置 > 系统 > 维护**，然后单击**默认**。

更多信息

- 有关本文档的最新版本，请参见 axis.com
- 用户手册可从 axis.com 获取
- 要检查是否有设备的可用更新固件，请参见 axis.com/support
- 如需有用的在线培训和在线研讨会，请参见 axis.com/academy

可选附件

欲查看本产品可用附件的完整列表，请转到 axis.com 上的产品页并选择“软件和附件”。

规格

要查找最新版本的产品数据表，请转到 axis.com 上的产品页并查找**支持和文档**。

LED 指示灯

LED 状态指示灯	指示
不亮	连接和正常工作。
绿色	启动完成后，将显示稳定的绿色 10 秒，以表示正常工作。
橙色	在启动期间稳定。在固件升级过程中或重置为出厂默认值时闪烁。
橙色/红色	如果网络连接不可用或丢失，则呈橙色/红色闪烁。
红色	固件升级失败。

SD 卡插槽

注意

- 损坏 SD 卡的风险。插入或取出 SD 卡时，请勿使用锋利的工具、金属物体或过大力气。使用手指插入和取出该卡。
- 数据丢失和录制内容损坏的风险。产品正在运行时，请勿取出 SD 卡。在取出 SD 卡之前，请先从产品的网页上卸载 SD 卡。

本产品支持 SD/SDHC/SDXC 卡。

有关 SD 卡的建议，请参见 axis.com

按钮

控制按钮

有关控制按钮的位置，请参见 *硬件概览* 在第104页。

控制按钮用于：

- 将产品重置为出厂默认设置。请参见第110页。
- 连接至安讯士视频托管系统服务。要查找更多关于此服务的信息，请参见 axis.com

接口

复式连接器

用于连接随附媒体转换器交换机的端子连接器，提供以下信号：

- DC 电源
- 网络（以太网 10/100Base-T）
- 输入/输出 (I/O)

多芯电缆连接器和 I/O 端口

备注

需要随附的多芯电缆，才能维持摄像机的 NEMA/IP 等级。

多芯电缆将连接到摄像机的复式连接器，请参见 [硬件概览](#) 在第 104 页。

多芯电缆的另一端连接到随附的 AXIS T8607 Media Converter Switch。请参见该产品的安装指南了解更多信息，包括 I/O 端口的概览。

工作条件

安讯士产品适用于室外使用。

ZH

等级	IEC 60721-4-3 类 3K3 IEC/EN 60529 IP66 ISO 20653 IP6K9K
温度	-30 ° C 到 50 ° C (-22 ° F 到 122 ° F)
湿度	10-100% RH (冷凝)

存储条件

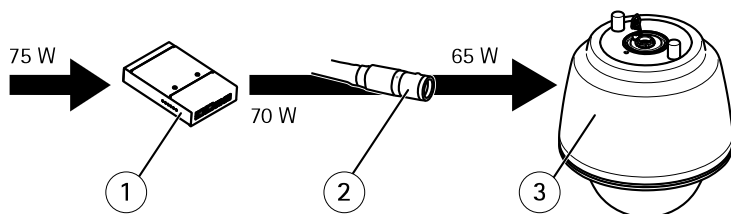
温度	-40 ° C 到 65 ° C (-40 ° F 到 149 ° F)
----	---

电气规格

注意

为了确认符合安全超低电压 (SELV) 和限功率电源 (LPS) 的要求, 请使用安讯士推荐的电源 (单独出售)。有关兼容电源附件的信息, 请参见 www.axis.com

产品	功能	说明
安讯士网络摄像机	输入电源	24 V DC, 最小 65 W
AXIS T8607 Media Converter Switch	输入电压	24 V DC
	输入电源	最小 75 W
	可用输出电源	最小 70 W
	标称输出电压	24 V DC
	最小输入电流	3.2 A



- 1 *AXIS T8607 Media converter switch*
- 2 多芯电缆
- 3 安讯士网络摄像机

安全信息

危险等级

▲危险

表示如果不避免则会导致死亡或严重伤害的危险情况。

▲警告

表示如果不避免则可能导致死亡或严重伤害的危险情况。

▲小心

表示如果不避免则可能导致轻微或中度伤害的危险情况。

注意

表示如果不避免则可能导致财产损失的情况。

其他消息等级

重要

表示产品正常工作所必需的重要信息。

备注

表示有助于充分利用产品的有用信息。

安全说明

警告

安讯士产品应由受过培训的专业人员进行安装，并遵守当地法律和法规。

注意

- 使用安讯士产品时应遵守当地法律和法规。
- 在干燥通风的环境中存放安讯士产品。
- 避免将安讯士产品暴露在冲击或高压环境下。
- 请勿将产品安装在不稳固的立杆、支架、表面或墙壁上。
- 安装安讯士产品时，仅使用适用的工具。使用电动工具过度施力可能导致产品损坏。
- 请勿使用化学品、腐蚀剂或气雾剂。
- 使用蘸纯净水的干净布进行清洁。
- 仅使用符合产品技术规格的附件。这些附件可由安讯士或第三方提供。安讯士推荐使用与产品兼容的安讯士电源设备。
- 仅使用安讯士提供或推荐的备件。
- 请勿尝试自行维修产品。有关服务事项，请联系安讯士支持部门或安讯士经销商。
- 请勿将摄像机镜头对准太阳或其他高强度辐射源，因为这可能会损坏摄像机。

运输

注意

- 保留防护包装。在运输安讯士产品时，防护性包装应在其原有位置上。
- 安讯士产品运输途中，应使用其原包装或等效包装，以防对产品造成损坏。

电池

安讯士产品使用 3.0 V BR2032 锂电池作为其内部实时时钟 (RTC) 的电源。在正常情况下，此电池将持续至少五年。

蓄电池电量过低会影响实时时钟的运行，从而导致实时时钟在每次上电时重置。当电池需要更换时，产品的服务器报告中将显示一条日志消息。有关服务器报告的更多信息，请参见产品网页或与安讯士支持部门联系。

3.0 V 纽扣锂电池内含 1,2-二甲氧基乙烷；乙二醇二甲醚 (EGDME)，CAS 编号为 110-71-4。

警告

- 如果未正确更换电池，则存在爆炸危险。

- 仅应更换上同型号的电池。
- 应根据当地法规或电池制造商的说明处理废电池。

半球罩

注意

- 小心不要划伤、损坏或在半球罩上留下指纹，因为这可能会降低图像质量。如果可能，请保留半球罩上的保护塑料，直至安装完成。
- 请勿清洁看起来干净的半球罩，也不要对表面进行抛光。过度清洁可能会损坏表面。
- 对于半球罩的一般清洁，建议将无腐蚀性、不含溶剂的中性肥皂或洗涤剂与纯水混合，并使用柔软、干净的布进行清洁。用温水冲洗干净。用一块柔软干净的布擦干，以避免留下水渍。
- 切勿使用刺激性洗涤剂或醇类（异丙基、丁基、丙基）溶液，并避免在阳光直射或高温下清洁半球罩。

