



**SAMCON**  
Prozessleittechnik GmbH

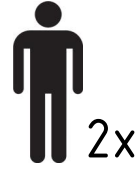


# Assambly Instruction

product: PMB EXCAM XF  
author: S. Weber  
date: June 12, 2018  
doc ID: 180612-PZUQS-SW-PMB EXCAM XF\_assembly  
instruction\_rev.oo.idw



# INTRO



What you need:	
Wrench	17mm
Torque wrench	17mm

## ATTENTION:

Please be careful when working at heights !

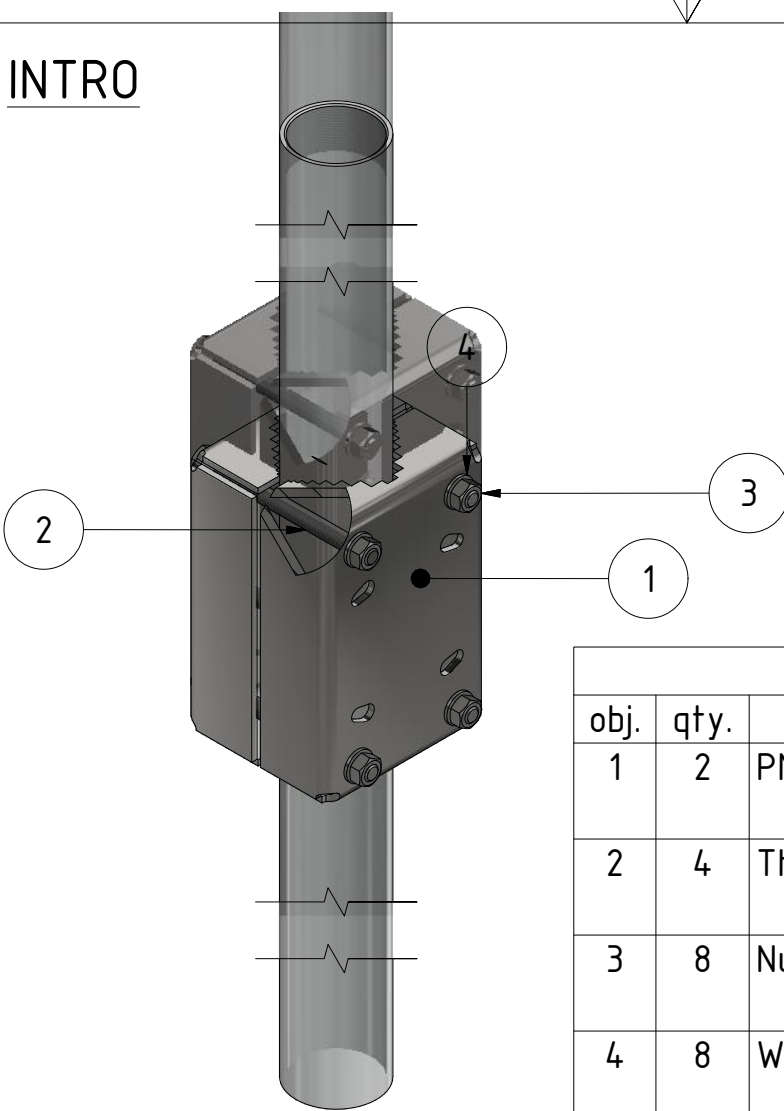
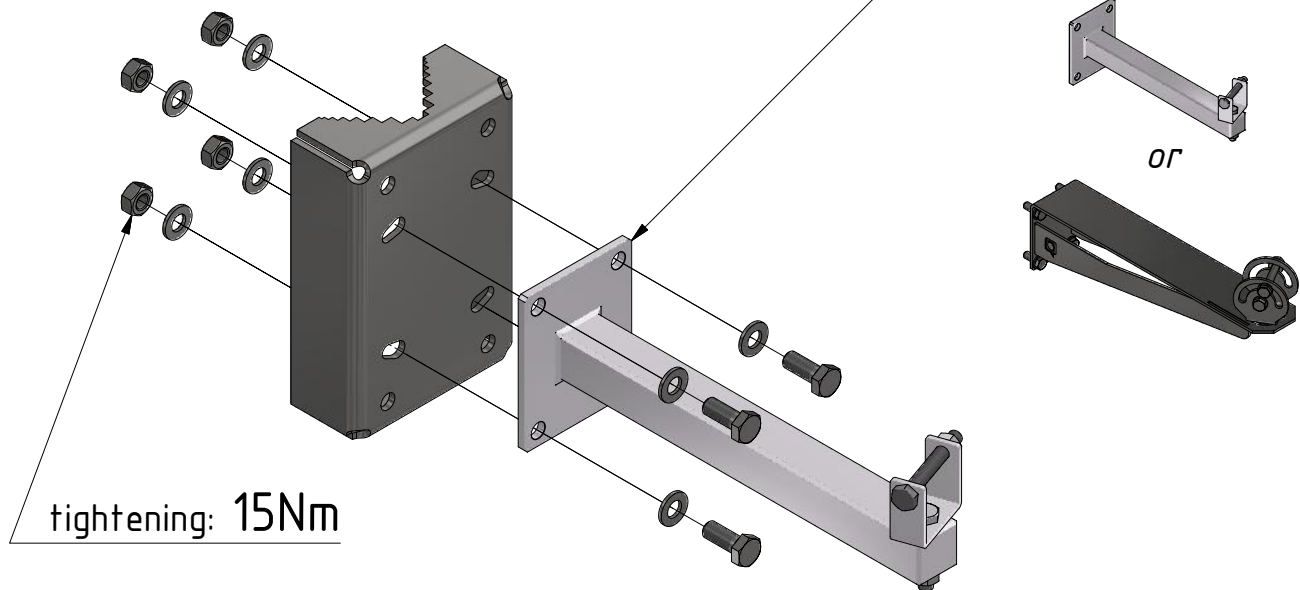


table of content			
obj.	qty.	part	material
1	2	PMB EXCAM XF	stainless steel
2	4	Threaded rod M10x1,5x125	stainless steel
3	8	Nut ISO 4032 - M10	stainless steel
4	8	Washer DIN 125 - A 10,5	stainless steel

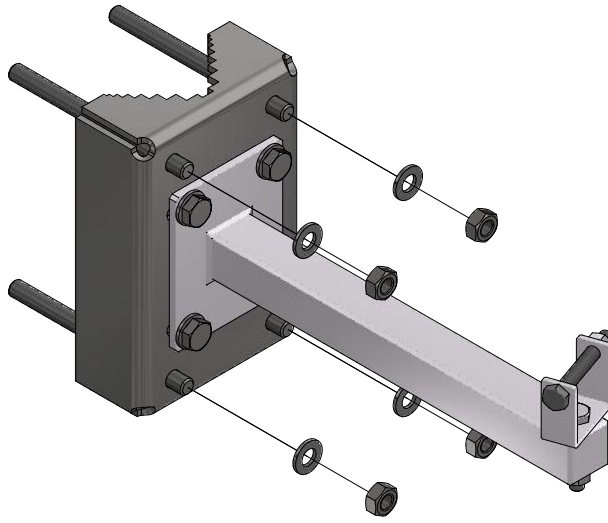
1

*External equipment  
Please mount first!*

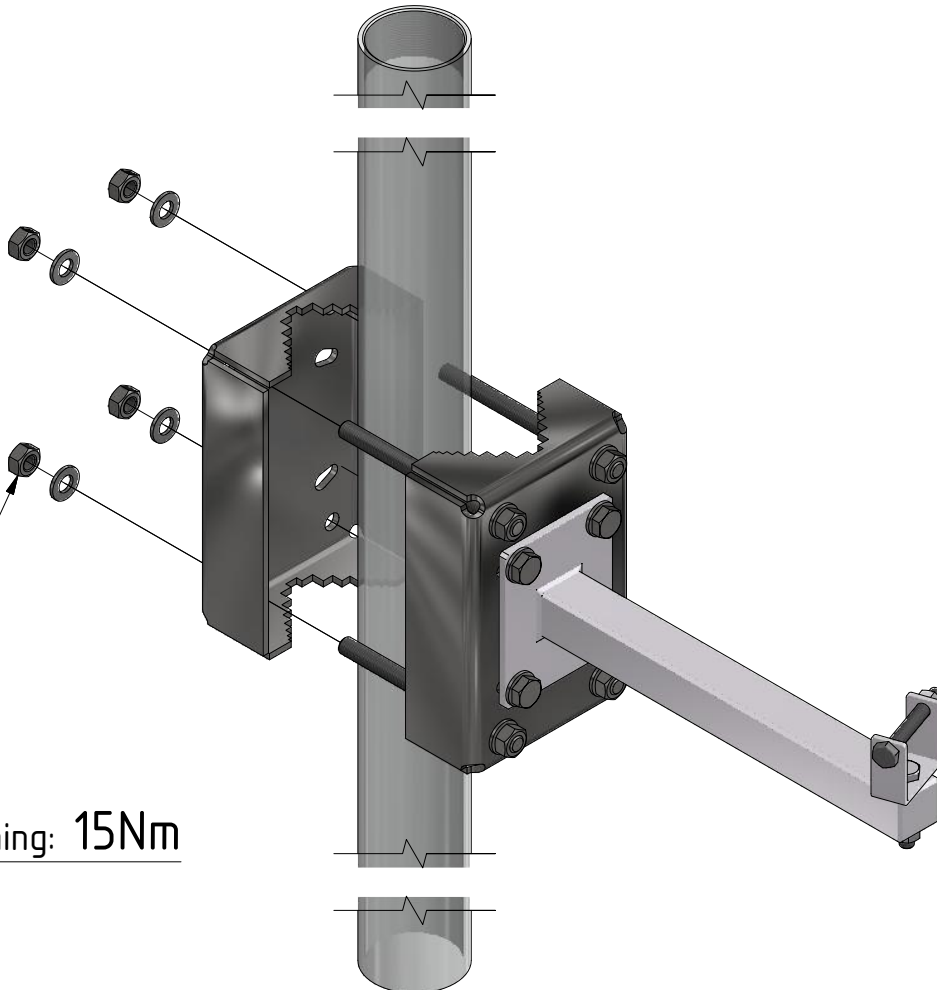


tightening: 15Nm

2

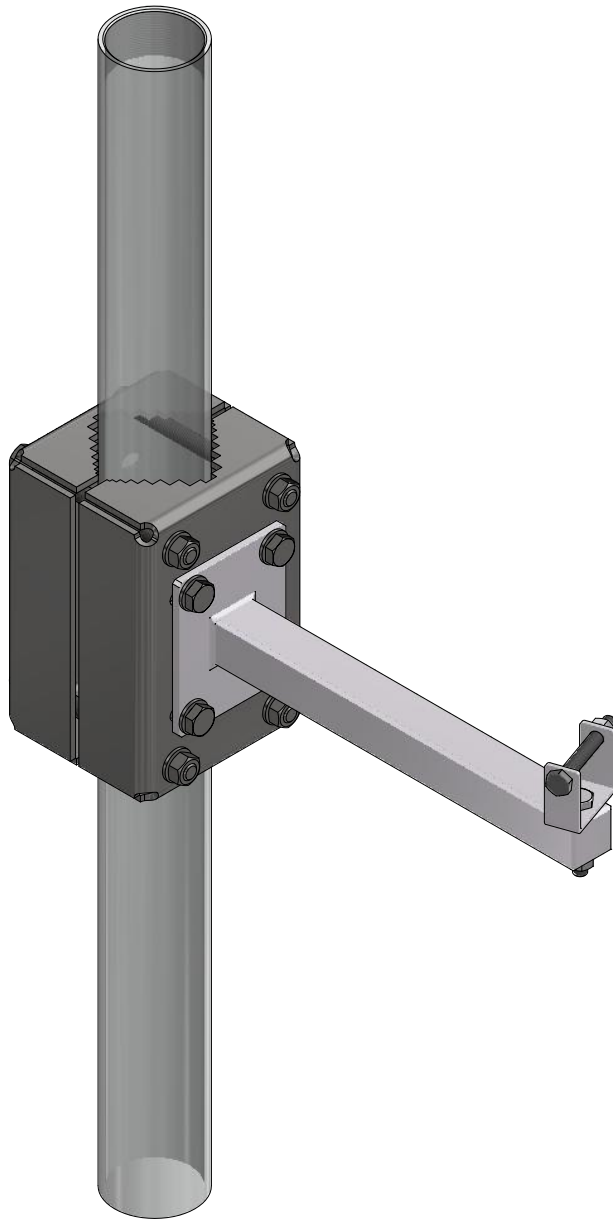


3



tightening: 15Nm

4



Note:  
For more information see  
other assembly instructions!