

## **AXIS T8415 Wireless Installation Tool**

**Installation guide**  
**Guide d'installation**  
**Installationsanleitung**  
**Guida all'installazione**  
**Guía de instalación**  
**インストールガイド**  
**Guia de instalação**  
**Руководство по установке**  
**설치가이드**  
**安装指南**  
**Panduan instalasi**



English

EN

Français

FR

Deutsch

DE

Italiano

IT

Español

ES

日本語

JA

中文

ZH

## Read this first

Read through this installation guide carefully before you install the product. Keep the installation guide for future reference.

## Legal considerations

Video and audio surveillance can be regulated by laws that vary from country to country. Check the laws in your local region before using this product for surveillance purposes.

## Liability

Every care has been taken in the preparation of this document. Please inform your local Axis office of any inaccuracies or omissions. Axis Communications AB cannot be held responsible for any technical or typographical errors and reserves the right to make changes to the product and manuals without prior notice. Axis Communications AB makes no warranty of any kind with regard to the material contained within this document, including, but not limited to, the implied warranties of merchantability and fitness for a particular purpose. Axis Communications AB shall not be liable nor responsible for incidental or consequential damages in connection with the furnishing, performance or use of this material. This product is only to be used for its intended purpose.

## Intellectual property rights

Axis AB has intellectual property rights relating to technology embodied in the product described in this document. In particular, and without limitation, these intellectual property rights may include one or more of the patents listed at [axis.com/patent](http://axis.com/patent) and one or more additional patents or pending patent applications in the US and other countries.

## Equipment modifications

This equipment must be installed and used in strict accordance with the instructions given in the user documentation. This equipment contains no user-serviceable components. Unauthorized equipment changes or modifications will invalidate all applicable regulatory certifications and approvals.

## Trademark acknowledgements

AXIS COMMUNICATIONS, AXIS, ARTPEC and VAPIX are registered trademarks of Axis AB in various jurisdictions. All other trademarks are the property of their respective owners.

Apple, Apache, Bonjour, Ethernet, Internet Explorer, Linux, Microsoft, Mozilla, Real, SMPTE, QuickTime, UNIX, Windows, and WWW are registered trademarks of the respective holders. Java and all Java-based trademarks and logos are trademarks or registered trademarks of Oracle and/or its affiliates. The UPnP Word Mark and UPnP Logo are trademarks of Open Connectivity Foundation, Inc. in the United States or other countries.

## Regulatory information

Europe



This product is restricted to indoor use only.

This product complies with the applicable CE marking directives:

- Radio Equipment Directive (RED) 2014/53/EU. See *Radio transmission*, on page 5.
- Restriction of Hazardous Substances (RoHS) Directive 2011/65/EU and 2015/863, including any amendments, updates or replacements. See *Disposal and recycling*, on page 5.

A copy of the original declaration of conformity may be obtained from Axis Communications AB. See *Contact information*, on page 7.

## Electromagnetic compatibility (EMC)

This equipment has been designed and tested to fulfill applicable standards for:

- Radio frequency emission when installed according to the instructions and used in its intended environment.
- Immunity to electrical and electromagnetic phenomena when installed according to the instructions and used in its intended environment.

## USA

This device complies with part 15 of the FCC Rules. Operation is subject to the following two conditions:

1. This device may not cause harmful interference, and
2. this device must accept any interference received, including interference that may cause undesired operation.

**Using an unshielded network cable (UTP) –** This equipment has been tested using an unshielded network cable (UTP) and found to comply with the limits for a Class A digital device, pursuant to part 15 of the FCC Rules. These limits are designed to provide reasonable protection against harmful interference when the equipment is operated in a commercial environment. This equipment generates, uses, and can radiate radio frequency energy and, if not installed and used in accordance with the instruction manual, may cause harmful interference to radio communications. Operation of this equipment in a residential area is likely to cause harmful interference in which case the user will be required to correct the interference at his own expense.

**Using a shielded network cable (STP) –** This equipment has also been tested using a shielded network cable (STP) and found to comply with the limits for a Class B digital device, pursuant to part 15 of the FCC Rules. These limits are designed to provide reasonable protection against harmful interference in a residential installation. This equipment generates, uses and can radiate radio frequency energy and, if not installed and used in accordance with the instructions, may cause harmful interference to radio communications. However, there is no guarantee that interference will not occur in a particular installation. If this equipment does cause harmful interference to radio or television reception, which can be determined

by turning the equipment off and on, the user is encouraged to try to correct the interference by one or more of the following measures:

- Reorient or relocate the receiving antenna.
- Increase the separation between the equipment and receiver.
- Connect the equipment into an outlet on a circuit different from that to which the receiver is connected.
- Consult the dealer or an experienced radio/TV technician for help.

To be used in a residential area or a demanding electrical environment, the product shall be connected using a shielded network cable (STP) that is properly grounded.

#### Contact information

Axis Communications Inc.  
300 Apollo Drive  
Chelmsford, MA 01824  
United States of America  
Tel: +1 978 614 2000

#### Canada

This digital apparatus complies with CAN ICES-3 (Class B). The product shall be connected using a shielded network cable (STP) that is properly grounded. Cet appareil numérique est conforme à la norme CAN NMB-3 (classe B). Le produit doit être connecté à l'aide d'un câble réseau blindé (STP) qui est correctement mis à la terre.

#### Europe

This digital equipment fulfills the requirements for RF emission according to the Class A limit of EN 55032. The product shall be connected using a shielded network cable (STP) that is properly grounded. Notice! This is a Class A product. In a domestic environment this product may cause RF interference, in which case the user may be required to take adequate measures.

#### Australia/New Zealand

This digital equipment fulfills the requirements for RF emission according to the Class B limit of AS/NZS CISPR 32. The product shall be connected using a shielded network cable (STP) that is properly grounded.

#### Japan

この装置は、クラスB機器です。この装置は、住宅環境で使用することを目的としています。この装置がラジオやテレビジョン受信機に近接して使用されると、受信障害を引き起こすことがあります。取扱説明書に従って正しい取り扱いをして下さい。VCCI-B  
本製品は、シールドネットワークケーブル(STP)を使用して接続してください。また適切に接地してください。  
本製品は電気通信事業者(移動通信会社、固定通信会社、インターネットプロバイダ等)の通信回線(公衆無線LANを含む)に直接接続することができません。本製品をインターネットに接続する場合は、必ずルータ等を経由し接続してください。

#### Korea

이 기기는 가정용(B급) 전자파적합기기로서 주로 가정에서 사용하는 것을 목적으로 하며, 모든 지역에서 사용할 수 있습니다. 적절히 접지된 STP (shielded twisted pair) 케이블을 사용하여 제품을 연결하십시오.

#### Radio transmission

This radio equipment operates at 2.4 and 5.2 GHz, with a maximum output power of 100 and 200 mW respectively.

This equipment may generate or use radio frequency energy. The user could lose the authority to operate this equipment if an unauthorized change or modification is made.

#### USA

This product complies with FCC radiation exposure limits for an uncontrolled environment.

#### Canada

This device complies with Innovation, Science and Economic Development Canada licence-exempt RSS standard(s). Operation is subject to the following two conditions: (1) this device may not cause interference, and (2) this device must accept any interference, including interference that may cause undesired operation of the device.

This device complies with IC radiation exposure limits for an uncontrolled environment.

This device for operation in the frequency band 5150-5250 MHz is only for indoor use to reduce the potential for harmful interference to co-channel mobile satellite systems.

Le présent appareil est conforme aux CNR Innovation, Sciences et Développement économique Canada applicables aux appareils radio exempts de licence. L'exploitation est autorisée aux deux conditions suivantes : (1) l'appareil ne doit pas produire de brouillage, et (2) l'utilisateur de l'appareil doit accepter tout brouillage radioélectrique subi, même si le brouillage est susceptible d'en compromettre le fonctionnement.

Ce produit est conforme aux limites d'exposition aux radiations IC pour un environnement non contrôlé.

Dans la bande de fréquences de 5 150 à 5 250 MHz, cet appareil doit uniquement être utilisé à l'intérieur afin de réduire le risque de brouillage préjudiciable de systèmes de service mobile par satellite se trouvant dans le même canal.

#### Europe

Hereby, Axis Communications AB declares that this product is in compliance with the essential requirements and other relevant provisions of Directive 2014/53/EU.

#### FR

Par la présente Axis Communications AB déclare que l'appareil ce produit est conforme aux exigences essentielles et aux autres dispositions pertinentes de la directive 2014/53/UE.

## DE

Hiermit erklärt Axis Communications AB, dass sich dieses Produkt in Übereinstimmung mit den grundlegenden Anforderungen und den anderen relevanten Vorschriften der Richtlinie 2014/53/EU befindet.

## IT

Con la presente Axis Communications AB dichiara che questo prodotto è conforme ai requisiti essenziali ed alle altre disposizioni pertinenti stabilite dalla direttiva 2014/53/UE.

## ES

Por medio de la presente Axis Communications AB declara que el este producto cumple con los requisitos esenciales y cualesquiera otras disposiciones aplicables o exigibles de la Directiva 2014/53/UE.

## FI

Axis Communications AB vakuuttaa täten että tämä tuote tyypinen laite on direktiivin 2014/53/EU oleellisten vaatimusten ja sitä koskevien direktiivin muiden ehtojen mukainen.

## NL

Hierbij verklaart Axis Communications AB dat het toestel in overeenstemming is met de essentiële eisen en de andere relevante bepalingen van richtlijn 2014/53/UE.

## SV

Härmed intygar Axis Communications AB att denna produkt står i överensstämmelse med de väsentliga egenskapskrav och övriga relevanta bestämmelser som framgår av direktiv 2014/53/UE.

## DA

Undertegnede Axis Communications AB erklærer herved, at følgende udstyr overholder de væsentlige krav og øvrige relevante krav i direktiv 2014/53/UE.

## PT

Axis Communications AB declara que este produto está conforme com os requisitos essenciais e outras disposições da Directiva 2014/53/UE.

## EL

Με την παρούσα η Axis Communications AB δηλώνει ότι αυτό το προϊόν συμμορφώνεται προς τις ορισώδεις απαιτήσεις και τις λοιπές σχετικές διατάξεις της οδηγίας 2014/53/ΕΕ.



This equipment can be used in the following countries:

AT, BE, BG, CH, CY, CZ, DE, DK, EE, EL, ES, FI, FR, HR, HU, IE, IS, IT, LI, LT, LU, LV, MT, NL, NO, PL, PT, RO, SE, SI, SK, TR, UK

## Safety

This product complies with IEC/EN/UL 60950-1, Safety of Information Technology Equipment.

If its connecting cables are routed outdoors, the product shall be grounded either through a shielded network cable (STP) or other appropriate method.

The power supply used with this product shall fulfill one of the following requirements:

- Safety Extra Low Voltage (SELV) according to CEC/NEC Class 2 source of supply as defined in the Canadian Electrical Code, CSA C22.1 and National Electrical Code, ANSI/NFPA 70
- Class 1 electrical energy source (ES1) and Class 2 power source (PS2) rated output power limited to ≤100 W according to IEC/EN/UL 62368-1

When this product has reached the end of its useful life, dispose of it according to local laws and regulations. For information about your nearest designated collection point, contact your local authority responsible for waste disposal. In accordance with local legislation, penalties may be applicable for incorrect disposal of this waste.

## Europe



This symbol means that the product shall not be disposed of together with household or commercial waste. Directive 2012/19/EU on waste electrical and electronic equipment (WEEE) is applicable in the European Union member states. To prevent potential harm to human health and the environment, the product must be disposed of in an approved and environmentally safe recycling process. For information about your nearest designated collection point, contact your local authority responsible for waste disposal. Businesses should contact the product supplier for information about how to dispose of this product correctly.

This product complies with the requirements of Directive 2011/65/EU and 2015/863 on the restriction of the use of certain hazardous substances in electrical and electronic equipment (RoHS).

## China



This product complies with the requirements of SJ/T 11364-2014, Marking for the restriction of hazardous substances in electrical and electronic products.

有毒有害物质或元素						
部件名称	铅 (P-b)	汞 (H-g)	镉 (C-d)	六价铬 (Cr (V-I))	多溴联苯 (P-BB)	多溴二苯醚 (P-B-DE)

电气 实 装 部 分	X	○	○	○	○	○
<p>○表示该有毒有害物质在该部件均质材料中的含量均在GB/T 26572标准规定的限量要求以下。</p> <p>X: 表示该有毒有害物质至少在该部件的某一均质材料中的含量超出GB/T 26572标准规定的限量要求。</p>						

**Contact information**  
Axis Communications AB  
Gränden 1  
223 69 Lund  
Sweden

Tel: +46 46 272 18 00

*axis.com*

**Support**

Should you require any technical assistance, please contact your Axis reseller. If your questions cannot be answered immediately, your reseller will forward your queries through the appropriate channels to ensure a rapid response. If you are connected to the Internet, you can:

- download user documentation and software updates
- find answers to resolved problems in the FAQ database, search by product, category, or phrase
- report problems to Axis support staff by logging in to your private support area
- chat with Axis support staff
- visit Axis Support at *axis.com/support*

**Learn more!**

Visit Axis learning center *axis.com/learning* for useful trainings, webinars, tutorials and guides.





# Safety information

## Hazard levels

### **⚠ DANGER**

Indicates a hazardous situation which, if not avoided, will result in death or serious injury.

### **⚠ WARNING**

Indicates a hazardous situation which, if not avoided, could result in death or serious injury.

### **⚠ CAUTION**

Indicates a hazardous situation which, if not avoided, could result in minor or moderate injury.

### **NOTICE**

Indicates a situation which, if not avoided, could result in damage to property.

## Other message levels

### **Important**

Indicates significant information which is essential for the product to function correctly.

### **Note**

Indicates useful information which helps in getting the most out of the product.

# Safety instructions

## **NOTICE**

- The Axis product shall be used in compliance with local laws and regulations.
- Axis recommends using a shielded network cable (STP).
- Store the Axis product in a dry and ventilated environment.
- Avoid exposing the Axis product to shocks or heavy pressure.
- Avoid exposing the Axis product to vibration.
- Use only applicable tools when installing the Axis product. Using excessive force with power tools could cause damage to the product.
- Do not use chemicals, caustic agents, or aerosol cleaners.
- Use a soft cloth dampened with pure lukewarm water to clean the device.
- Don't use chemicals such as window cleaner or acetone to clean your device.
- Use only accessories that comply with the technical specification of your product. These can be provided by Axis or a third party. Axis recommends using Axis power source equipment compatible with your product.
- Use only spare parts provided by or recommended by Axis.
- Do not attempt to repair the product yourself. Contact Axis support or your Axis reseller for service matters.

## **Lead-Acid Battery**

The Axis product uses a Lead-Acid battery as the power supply.

## **NOTICE**

- Due to the self-discharge characteristics of this type of battery, it is imperative that they be charged within 6 months of storage, otherwise permanent loss of capacity might occur as a result of sulfation.
- Use only the supplied charger.

## **⚠ CAUTION**

Never charge or discharge a battery in a hermetically sealed enclosure. Batteries generate a mixture of gases internally. Given the right set of circumstances, such as extreme overcharging or shorting of the battery, these gases might vent into the enclosure and create the potential for an explosion when ignited by a spark.

## **⚠ CAUTION**

- Never dispose of the battery in a fire as it may cause them to explode or generate a toxic gas.
- Do not attempt to disassemble the battery as it could cause leakage of sulfuric acid that could cause injury.

**NOTICE**

Dispose of used batteries according to local regulations or the battery manufacturer's instructions.

# Installation Guide

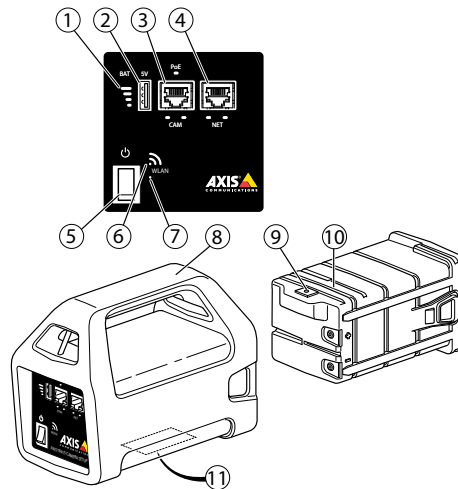
This Installation Guide provides instructions for AXIS T8415 Wireless Installation Tool . This installation tool support both the use of a laptop or an app for installation of cameras. For best performance and experience it is recommended to use the app.

For other aspects of using the product, see the User Manual available at [www.axis.com](http://www.axis.com)

## Package contents

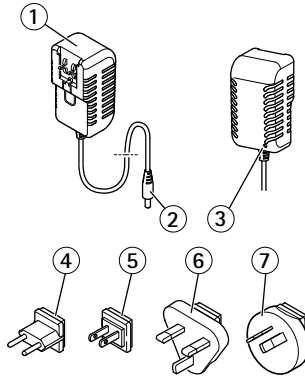
- Main Unit
- Charger
- Battery
- Strap
- Printed materials
  - Installation Guide (this document)

## Hardware overview



- 1 Battery indicator
- 2 USB charging port (non-data)
- 3 RJ45 PoE (CAM)
- 4 RJ45 non-PoE (NET)
- 5 On-Off switch
- 6 WLAN indicator
- 7 Reset button
- 8 Main Unit
- 9 Battery Charger connector
- 10
- 11

- 10 Battery
- 11 Label (network settings)



- 1 Charger
- 2 Charger male connector
- 3 Charger LED
- 4 Power cord plug (EU)
- 5 Power cord plug (US)
- 6 Power cord plug (UK)
- 7 Power cord plug (AU)

### Network connector

RJ45 Ethernet connector.

RJ45 Ethernet connector with Power over Ethernet Plus (PoE+).

**NOTICE**

Due to local regulations or the environmental and electrical conditions in which the product is to be used, a shielded network cable (STP) may be appropriate or required. All cables connecting the product to the network and that are routed outdoors or in demanding electrical environments shall be intended for their specific use. Make sure that the network devices are installed in accordance with the manufacturer's instructions. For information about regulatory requirements, see *Electromagnetic compatibility (EMC), on page 4*.

### USB Connector

AXIS T8415 is equipped with a USB connector (non-data). This connector can be used for charging any compatible handheld device (5V, 2.1A).

**Note**

- AXIS T8415 must be powered on when charging a handheld device.
- Charging a handheld device affects the units battery. When it reaches a critical low level it will no longer charge the handheld device, See *Hardware overview, on page 12* Battery indicator for status of the battery. In order to continue charging replace the battery with a newly charged one, see *Change the Battery, on page 17*.

# AXIS T8415 Web Interface

In AXIS T8415 web interface it is possible to edit network settings and upgrade the firmware.

Access the web interface by typing in the units IP-address in a browser. The IP-address can be found on the label located on the main unit.

### Note

- Actual screenshots may change upon new Firmware releases.
- AXIS T8415 have two IP-addresses. One for connection via WiFi and one for connection via wired network.



- Name: Name for the unit, can be changed.

### Network – Wifi Interface



- Address: The IP-address for the unit.
- Subnet mask: The subnet-mask for the unit.
- Gateway: Default gateway for the unit.
- SSID: Name of the wireless network, can be changed.
- WPA password: Password for the wireless network, can be changed.
- Mode: Set frequency mode for wireless network. Select either 2.4GHz or 5GHz.
- Channel: Set channel for wireless network.

## Note

- Default SSID and password can be found on the label, located on the main unit. If changed in the web interface the label is no longer valid.
- AXIS T8415 supports both 2.4GHz and 5GHz.
- Channels might vary depending on country.

## Network – Wired Network

The screenshot shows the 'Wired Network' configuration page for an AXIS T8415 camera. The page is divided into several sections:

- External DHCP Server:** Shows 'Server detected: No' with a '(Reboot device to re-scan)' instruction.
- Onboard DHCP Server:** Features two radio buttons: 'Server On' (unselected) and 'Server Off' (selected). A 'Save' button is located below.
- Ethernet Ports:** Displays the status of two ports: 'Port 1: Connected' and 'Port 2 (POE): Connected, powered'.
- Interface Configuration:** Offers two options: 'Obtain an IP address via DHCP' (unselected) and 'Assign a static IP address' (selected). Below this are three input fields: 'Address' (10.253.253.253), 'Subnet mask' (255.255.255.0), and 'Gateway' (10.253.253.253). A 'Save' button is at the bottom.

- External DHCP Server: Detection of an external DHCP server.
- Onboard DHCP Server:
  - On: Internal DHCP server on
  - Off: Internal DHCP server off
- Ethernet Ports: Status of the ethernet ports:
  - Connected: Camera/laptop connected to ethernet port
  - Unconnected: No camera/laptop connected to ethernet port
- Interface Configuration: Set IP-address manually or get IP-address from a DHCP server.
- Address: The IP-address for the unit.
- Subnet mask: The subnet-mask for the unit.
- Gateway: Default gateway for the unit.

## Maintenance



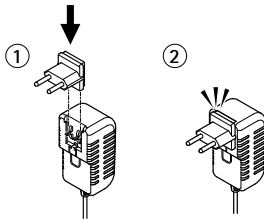
Upgrade the firmware for AXIS T8415.

**Note**

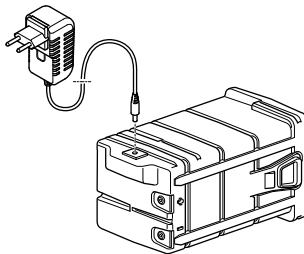
The latest firmware can be found at [www.axis.com](http://www.axis.com)

## Charge the Battery

Attach the country specific power cord plug to the charger. See below image.



Connect the battery charger to the battery (see below image) and to the power outlet.



LED	Behavior
Red	Battery charging
Green	Battery fully charged

**Note**

The charger LED is located on the front side of the charger, see *Hardware overview, on page 12*



### NOTICE

- Due to the self-discharge characteristics of this type of battery, it is imperative that they be charged within 6 months of storage, otherwise permanent loss of capacity might occur as a result of sulfation.
- Use only the supplied charger.

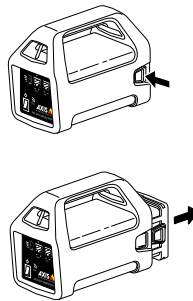
### ⚠ CAUTION

Never charge or discharge a battery in a hermetically sealed enclosure. Batteries generate a mixture of gases internally. Given the right set of circumstances, such as extreme overcharging or shorting of the battery, these gases might vent into the enclosure and create the potential for an explosion when ignited by a spark.

EN

## Change the Battery

See below image for how to change the battery.



### ⚠ CAUTION

- Never dispose of the battery in a fire as it may cause them to explode or generate a toxic gas.
- Do not attempt to disassemble the battery as it could cause leakage of sulfuric acid that could cause injury.
- If the battery is disassembled the warranty is void.

### NOTICE

Dispose of used batteries according to local regulations or the battery manufacturer's instructions.

## Installation Preparations

With AXIS T8415 Wireless Installation Tool, it is possible to perform device installations with a mobile phone, tablet or a laptop. We recommend that you download the app AXIS Installer .

- Make sure that the battery is fully charged before use. See *Charge the Battery*, on page 16
- If you are going to use the app AXIS Installer, make sure it is installed on your mobile device before connecting to AXIS T8415 WiFi network.
- Make sure power is on before connecting the device to the main unit.

#### Note

The app AXIS Installer can be downloaded from App Store or Google Play.

## Connect to AXIS T8415 WiFi

### Handheld device

1. Turn on WiFi on the handheld device.
2. Select The SSID of the unit.
3. Enter password

### Laptop

1. Turn on WiFi on the computer.
2. Select The SSID of the unit.
3. Enter password

#### Important

Make sure the computer is configured so that it will obtain an IP-address from a DHCP server.

#### Note

Default SSID and password are printed on the label located on the main unit.

## Device Installation – AXIS Installer app

1. Download the AXIS Installer app.
2. Install the app on your mobile device.
3. Connect the device you want to install to the CAM port (PoE) on the main unit.
4. Verify that the PoE indicator is lit.
5. Connect to AXIS T8415 WiFi, see *Connect to AXIS T8415 WiFi*, on page 18.
6. Configure the device in AXIS Installer.

#### Note

The start-up time for devices varies for different products. It may take a while before the device is visible in the device list in the app.

#### Note

For information on how to use the AXIS Installer app, read the AXIS Installer user manual in the app or on [help.axis.com](http://help.axis.com).

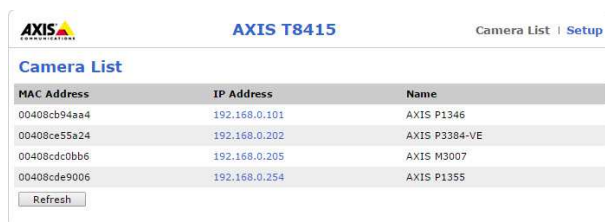
## Device Installation – Laptop

When on a laptop, we recommend you go to [axis.com](http://axis.com) and download AXIS IP Utility to quickly discover and install devices.

1. Connect the device to the CAM port (PoE) on the main unit.
2. Verify that the PoE indicator is lit.
3. Connect the laptop to NET port (non-PoE) on the main unit.
4. Start AXIS IP Utility or go to the web interface and press **Camera List**

### Note

See *AXIS T8415 Web Interface*, on page 14 for how to access AXIS T8415 Web interface



MAC Address	IP Address	Name
00408cb94aa4	192.168.0.101	AXIS P1346
00408ce55a24	192.168.0.202	AXIS P3384-VE
00408cdc0bb6	192.168.0.205	AXIS M3007
00408cde9006	192.168.0.254	AXIS P1355

5. Select a device by clicking on the IP-address.
6. The selected device will now open in a browser.

### Note

- For more information about device settings for respective Axis product, see the products user manual available at [www.axis.com](http://www.axis.com)
- The start-up time for devices varies for different products. It may take a few minutes before the device is visible in the camera list in the web interface.

## Troubleshooting

- **Can't find SSID.**
  - Check that the WLAN indicator is lit.
  - Select a different channel.
  - Make sure the handheld device supports 5GHz mode, if not switch to 2.4GHz mode on AXIS T8415.
- **No device in the app device list**
  - Check that the WLAN indicator is lit.
  - The start-up time for devices varies for different products. It may take a few minutes before the device is visible.
  - Make sure Bonjour is activated on the Axis product.
  - Make sure the device doesn't have an IP-address in the range 10.252.252.X

- Can't login to AXIS T8415 web interface when using network cable and a PC.
  - Make sure the network cable is connected to the correct port (NET).
- No camera in Camera List (web interface), when using laptop for installation.
  - Make sure the network cables are connected to correct ports:  
CAM: Connect to camera  
NET: Connect to laptop
  - Make sure the device and AXIS T8415 are in the same IP-address range.
  - Make sure that AXIS T8415 is used as default gateway.
  - Make sure the device doesn't have an IP-address in the range 10.252.252.X
- Low fps in the image when using the app.
  - Check the WLAN indicator on your mobile device for signal strength.
  - Make sure the wireless network is set to 5GHz
  - Select a different channel.

Below list is applicable when trying to discover a non-Axis camera with Onvif support.

- The device is set to dynamic IP-address but there is no DHCP server on the network.
  - Activate the onboard DHCP server on AXIS T8415.
- The device is set to dynamic IP-address and there is a DHCP server on the network.
  - Configure AXIS T8415 for dynamic IP address.
- The device has a fixed IP-address.
  - Configure AXIS T8415 to have an IP-address in the same range as the device.

## Reset to Factory Default

### Important

- Reset to factory default should be used with caution. A reset to factory default will reset all settings to the factory default values.
- Make sure the WLAN indicator is continuously lit before performing a factory reset.

To reset the product to the factory default settings:

1. Press and hold the Reset button for 10 seconds.
2. AXIS T8415 now re-starts with all values reset to factory default.

### Note

See *Hardware overview*, on page 12 for location of the Reset button.

## Warranty information

For information about Axis' product warranty and thereto related information, go to [axis.com/warranty](http://axis.com/warranty).

# Informations sur la sécurité

## Niveaux de risques

### **⚠ DANGER**

Indique une situation dangereuse qui, si elle n'est pas évitée, entraînera le décès ou des blessures graves.

### **⚠ AVERTISSEMENT**

Indique une situation dangereuse qui, si elle n'est pas évitée, pourrait entraîner le décès ou des blessures graves.

FR

### **⚠ ATTENTION**

Indique une situation dangereuse qui, si elle n'est pas évitée, pourrait entraîner des blessures légères ou modérées.

### **AVIS**

Indique une situation qui, si elle n'est pas évitée, pourrait endommager l'appareil.

## Autres niveaux de message

### **Important**

Indique les informations importantes, nécessaires pour assurer le bon fonctionnement de l'appareil.

### **Remarque**

Indique les informations utiles qui permettront d'obtenir le fonctionnement optimal de l'appareil.

# Consignes de sécurité

## AVIS

- Le produit Axis doit être utilisé conformément aux lois et règlements locaux.
- Axis recommande d'utiliser un câble réseau blindé (STP).
- Conserver ce produit Axis dans un environnement sec et ventilé.
- Ne pas exposer ce produit Axis aux chocs ou aux fortes pressions.
- Ne pas exposer ce produit Axis aux vibrations.
- Utiliser uniquement des outils recommandés pour l'installation de l'appareil Axis. L'application d'une force excessive sur l'appareil avec des outils puissants pourrait l'endommager.
- Ne pas utiliser de produits chimiques, de substances caustiques ou de nettoyeurs pressurisés.
- Pour nettoyer le dispositif, utilisez un chiffon doux humide à l'eau tiède pure.
- N'utilisez pas de produits chimiques tels que le nettoyeur pour vitres ou l'acétone pour nettoyer votre dispositif.
- Utiliser uniquement des accessoires conformes aux caractéristiques techniques de votre produit. Ils peuvent être fournis par Axis ou un tiers. Axis recommande d'utiliser un équipement d'alimentation Axis compatible avec votre produit.
- Utiliser uniquement les pièces de rechange fournies ou recommandées par Axis.
- Ne pas essayer de réparer vous-même ce produit. Contacter l'assistance technique d'Axis ou votre revendeur Axis pour des problèmes liés à l'entretien.

## Batterie au plomb-acide

Le produit Axis utilise une batterie au plomb-acide comme alimentation.

## AVIS

- En raison des caractéristiques d'autodécharge de ce type de batterie, il est impératif que la batterie soit rechargée dans les 6 mois de stockage, sinon une perte de capacité pourrait survenir suite à un sulfatage.
- Utilisez uniquement le chargeur fourni.

## ⚠ ATTENTION

Ne jamais charger ou décharger une batterie dans une enceinte hermétiquement fermée. Les batteries génèrent un mélange gazeux en interne. Selon les circonstances, telle qu'une surcharge extrême ou un court-circuit de la batterie, ces gaz peuvent s'évacuer dans l'enceinte et créer les conditions potentielles d'une explosion en cas d'exposition à une étincelle.

## ⚠ ATTENTION

- Ne jamais jeter la batterie au feu, car cela pourrait provoquer une explosion ou une émanation de gaz toxique.
- Ne pas tenter de démonter la batterie, car cela pourrait provoquer une fuite d'acide sulfurique susceptible d'entraîner des blessures.

**AVIS**

Mettez au rebut les batteries usagées conformément aux réglementations locales ou aux instructions du fabricant de la batterie.

# Guide d'installation

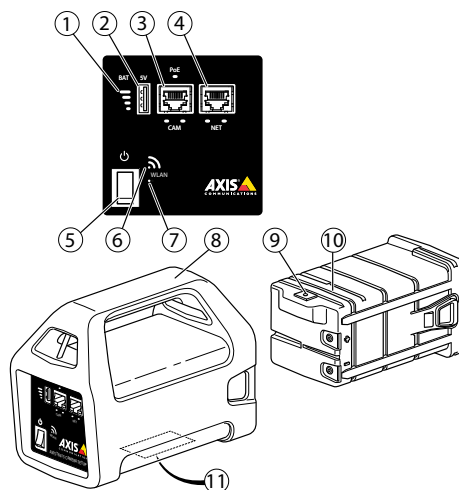
Ce Guide d'installation fournit des instructions pour l'installation de l'AXIS T8415 Wireless Installation Tool. Cet outil d'installation prend en charge l'utilisation d'un ordinateur portable ou d'une application pour l'installation de caméras. Pour obtenir des performances et une expérience optimisées, il est recommandé d'utiliser l'application.

Pour toute autre information relative à l'utilisation du produit, consultez le manuel de l'utilisateur disponible sur le site [www.axis.com](http://www.axis.com)

## Contenu de l'emballage

- Unité principale
- Chargeur
- Batterie
- Sangle
- Documents imprimés
  - Guide d'installation (ce document)

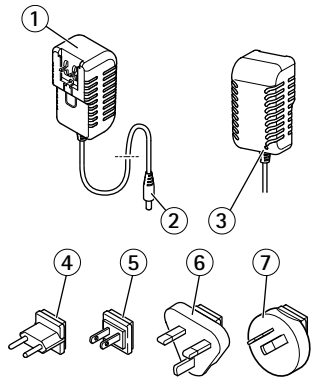
## Présentation du matériel



- 1 Voyant de la batterie
- 2 Port de charge USB (ne servant pas à la transmission des données)
- 3 RJ45 PoE (CAM)
- 4 RJ45 non-PoE (NET)
- 5 Commutateur Marche/Arrêt
- 6 Voyant WLAN
- 7 Touche Reset



- 8 Unité principale
- 9 Connecteur du chargeur de batterie
- 10 Batterie
- 11 Étiquette (paramètres réseau)



- 1 Chargeur
- 2 Connecteur mâle du chargeur
- 3 Voyant du chargeur
- 4 Fiche de cordon d'alimentation (UE)
- 5 Fiche de cordon d'alimentation (US)
- 6 Fiche de cordon d'alimentation (RU)
- 7 Fiche de cordon d'alimentation (AU)

### Connecteur réseau

Connecteur Ethernet RJ45.

Connecteur Ethernet RJ45 avec Power over Ethernet Plus (PoE+).

#### AVIS

Les réglementations locales ou les conditions environnementales et électriques dans lesquelles le produit est utilisé peuvent nécessiter l'utilisation d'un câble réseau blindé (STP). Tous les câbles réseau qui sont acheminés à l'extérieur ou dans des environnements électriques exigeants doivent être destinés à leur usage spécifique. Assurez-vous que les périphériques réseau sont installés conformément aux instructions du fabricant. Pour plus d'informations sur les exigences réglementaires, consultez *Compatibilité électromagnétique (CEM)*, on page .

### Connecteur USB

L'AXIS T8415 est équipé d'un connecteur USB (ne servant pas à la transmission des données). Ce connecteur peut être utilisé pour charger tout appareil portable compatible (5 V, 2,1 A).

#### Remarque

- L'AXIS T8415 doit être alimenté lors de la mise en charge de l'appareil portable.
- La mise en charge d'un appareil portable affecte la batterie de l'unité. Lorsqu'elle atteint un niveau bas critique, elle ne charge plus l'appareil portable. Voir *Présentation du matériel*, on page .

page 24 Voyant de la batterie pour connaître l'état de la batterie. Afin de poursuivre la mise en charge, remplacez la batterie par une batterie nouvellement rechargée, cf. *Changement de la batterie*, on page 29.

## Interface Web AXIS T8415

L'interface Web AXIS T8415 permet de modifier les paramètres réseau et de mettre à jour le micrologiciel.

Accédez à l'interface Web en saisissant l'adresse IP de l'appareil dans un navigateur. Vous trouverez cette adresse IP sur l'étiquette apposée sur l'unité centrale.

### Remarque

- Les copies d'écran peuvent différer selon la version du micrologiciel.
- Le moniteur AXIS T8415 est doté de deux adresses IP. L'une est réservée à la connexion Wi-Fi et l'autre à la connexion au réseau câblé.

The screenshot shows the 'AXIS T8415' web interface. The left sidebar has 'Device', 'Network', and 'Maintenance' options. The main content area is titled 'Device' and contains two sections: 'Settings' and 'Information'. In the 'Settings' section, the 'Name' field is set to 'AXIS T8415' and there is a 'Save' button below it. The 'Information' section lists: Model: T8415, Software version: V1.0.7, Identification: a:cccc8e:22:00:07, and Battery level: 47%.

- Name (Nom) : nom de l'appareil qui peut être modifié.

### Network (Réseau) – Wifi Interface (Interface Wi-Fi)

The screenshot shows the 'AXIS T8415' web interface with the 'Wifi Interface' configuration page selected. The left sidebar shows 'Device', 'Network', and 'Maintenance' options, with 'Wifi Interface' and 'Wired Network' under 'Network'. The main content area is titled 'Wifi Interface' and contains an 'Interface Configuration' section. Fields include: Address: 10.252.252.1, Subnet mask: 255.255.255.0, Gateway: 10.252.252.1, SSID: AXIS\_220007, WPA password: password, Mode: radio buttons for 2.4GHz and 5GHz (5GHz is selected), and Channel: radio buttons for 36, 40, and 44 (40 is selected). A 'Save' button is at the bottom.

- Address (Adresse) : adresse IP de l'appareil.
- Subnet mask (Masque de sous-réseau) : masque de sous-réseau de l'appareil.
- Gateway (Passerelle) : passerelle par défaut de l'appareil.
- SSID : nom du réseau sans fil qui peut être modifié.
- WPA password (Mot de passe WPA) : mot de passe du réseau sans fil qui peut être modifié.

- Mode (Mode) : mode de fréquence du réseau sans fil. Choisissez entre 2.4GHz ou 5GHz.
- Channel (Canal) : canal du réseau sans fil.

#### Remarque

- Vous trouverez le SSID et mot de passe par défaut sur l'étiquette apposée sur l'unité centrale. Si ces informations ont été modifiées sur l'interface Web, les données de l'étiquette ne sont plus valables.
- L'AXIS T8415 prend en charge les fréquences 2,4 GHz et 5 GHz.
- Les canaux varient en fonction des pays.

## Network (Réseau) – Wired Network (Réseau câblé)

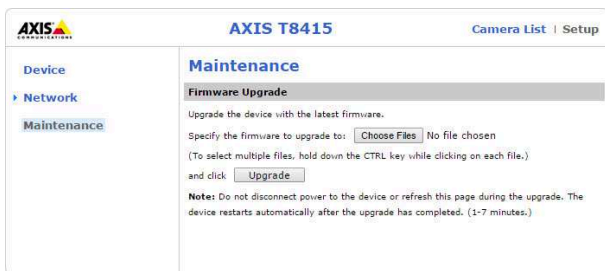
FR

The screenshot shows the 'Wired Network' configuration page for an AXIS T8415 camera. The page is divided into several sections:

- External DHCP Server:** Shows 'Server detected: No' with a note '(Reboot device to rescan)'.
- Onboard DHCP Server:** Features two radio buttons: 'Server On' (unselected) and 'Server Off' (selected). A 'Save' button is below.
- Ethernet Ports:** Shows 'Port 1: Connected' and 'Port 2 (POE): Connected, powered'.
- Interface Configuration:** Offers two options: 'Obtain an IP address via DHCP' (unselected) and 'Assign a static IP address' (selected). Below this are three input fields: 'Address' (10.253.253.253), 'Subnet mask' (255.255.255.0), and 'Gateway' (10.253.253.253). A 'Save' button is at the bottom.

- External DHCP Server (Serveur DHCP externe) : détection d'un serveur DHCP externe.
- Onboard DHCP Server (Serveur DHCP interne) :
  - On (Activé) : serveur DHCP interne activé
  - Off (Désactivé) : serveur DHCP interne désactivé
- Ethernet Ports (Ports Ethernet) : Status of the ethernet ports (État des ports Ethernet) :
  - Connected (Connecté) : caméra/portable connecté au port Ethernet.
  - Unconnected (Déconnecté) : caméra/portable non connecté au port Ethernet.
- Interface Configuration (Configuration de l'interface) : configuration manuelle de l'adresse IP ou obtention d'une adresse IP par l'intermédiaire d'un serveur DHCP.
- Address (Adresse) : adresse IP de l'appareil.
- Subnet mask (Masque de sous-réseau) : masque de sous-réseau de l'appareil.
- Gateway (Passerelle) : passerelle par défaut de l'appareil.

## Maintenance (Maintenance)



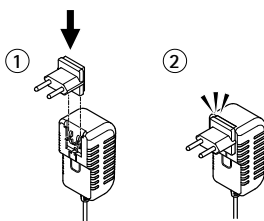
Cette page permet de mettre à jour le micrologiciel du moniteur AXIS T8415.

#### Remarque

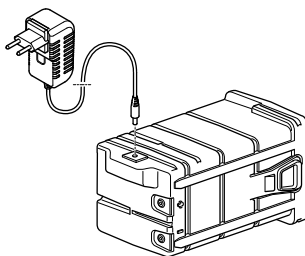
La version la plus récente du micrologiciel se trouve sur le site Web [www.axis.com](http://www.axis.com)

## Mise en charge de la batterie

Fixez la fiche de cordon d'alimentation spécifique au pays au chargeur. Voir l'image ci-dessous.



Branchez la chargeur de batterie à la batterie (voir l'image ci-dessous) et à la prise secteur.



Voyant DEL	Comportement
Rouge	Batterie en charge
Vert	Batterie entièrement rechargée

#### Remarque

Le voyant DEL est situé sur la face avant du chargeur, voir *Présentation du matériel*, on page 24

### AVIS

- En raison des caractéristiques d'autodécharge de ce type de batterie, il est impératif que la batterie soit rechargée dans les 6 mois de stockage, sinon une perte de capacité pourrait survenir suite à un sulfatage.
- Utilisez uniquement le chargeur fourni.

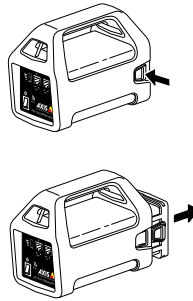
### ⚠ ATTENTION

Ne jamais charger ou décharger une batterie dans une enceinte hermétiquement fermée. Les batteries génèrent un mélange gazeux en interne. Selon les circonstances, telle qu'une surcharge extrême ou un court-circuit de la batterie, ces gaz peuvent s'évacuer dans l'enceinte et créer les conditions potentielles d'une explosion en cas d'exposition à une étincelle.

FR

## Changement de la batterie

Reportez-vous à l'image ci-dessous pour savoir comment changer la batterie.



### ⚠ ATTENTION

- Ne jamais jeter la batterie au feu, car cela pourrait provoquer une explosion ou une émanation de gaz toxique.
- Ne pas tenter de démonter la batterie, car cela pourrait provoquer une fuite d'acide sulfurique susceptible d'entraîner des blessures.
- Le démontage de la batterie annule la garantie.

### AVIS

Mettez au rebut les batteries usagées conformément aux réglementations locales ou aux instructions du fabricant de la batterie.

## Préparatifs à l'installation

Avec AXIS T8415 Wireless Installation Tool, il est possible de réaliser des installations de périphériques à l'aide d'un téléphone portable, d'une tablette ou d'un ordinateur portable. Nous vous recommandons de télécharger l'application AXIS Installer.

- Assurez-vous que la batterie est chargée à 100 % avant utilisation. Reportez-vous à *Mise en charge de la batterie, on page 28*
- Si vous allez utiliser l'application AXIS Installer, assurez-vous qu'elle est installée sur votre périphérique avant de vous connecter au réseau Wi-Fi d'AXIS T8415.
- Assurez-vous que l'appareil est sous tension avant de brancher le périphérique à l'unité principale.

#### Remarque

L'application AXIS Installer peut être téléchargée depuis App Store ou Google Play.

## Connexion au Wi-Fi AXIS T8415

### Appareil portable

1. Activez le Wi-Fi sur l'appareil portable.
2. Sélectionnez le SSID de l'unité.
3. Saisissez le mot de passe.

### Ordinateur portable

1. Activez le Wi-Fi sur l'ordinateur.
2. Sélectionnez le SSID de l'unité.
3. Saisissez le mot de passe.

#### Important

Assurez-vous que l'ordinateur est configuré de façon à obtenir une adresse IP d'un serveur DHCP.

#### Remarque

Le SSID et le mot de passe par défaut sont imprimés sur l'étiquette apposée sur l'unité centrale.

## Installation du périphérique – Application AXIS Installer

1. Téléchargez l'application AXIS Installer.
2. Installez l'application sur votre périphérique.
3. Connectez le périphérique que vous souhaitez installer au port CAM (PoE) de l'unité principale.
4. Vérifiez que le témoin PoE est allumé.
5. Connectez-vous au Wi-Fi AXIS T8415, voir *Connexion au Wi-Fi AXIS T8415, on page 30*.
6. Configurez le périphérique dans AXIS Installer.

#### Remarque

La durée de démarrage des périphériques varie en fonction des produits. Cela peut prendre un moment avant qu'il n'apparaisse dans la liste des périphériques de l'application.

### Remarque

Pour plus d'informations sur l'utilisation de l'application AXIS Installer, consultez son manuel d'utilisation dans l'application elle-même ou sur [help.axis.com](http://help.axis.com).

## Installation du périphérique – Ordinateur portable

Si vous utilisez un ordinateur portable, nous vous recommandons de télécharger AXIS IP Utility sur [axis.com](http://axis.com) pour connaître et installer rapidement les périphériques.

1. Connectez le périphérique au port CAM (PoE) de l'unité principale.
2. Vérifiez que le témoin PoE est allumé.
3. Connectez le portable au port NET (non PoE) de l'unité principale.
4. Lancez AXIS IP Utility ou allez à l'interface web et appuyez sur **Liste des caméras**.

FR

### Remarque

Voir *Interface Web AXIS T8415*, on page 26 pour savoir comment accéder à l'Interface Web AXIS T8415.

MAC Address	IP Address	Name
00408cb94aa4	192.168.0.101	AXIS P1346
00408ce55a24	192.168.0.202	AXIS P3384-VE
00408cdc0bb6	192.168.0.205	AXIS M3007
00408cde9006	192.168.0.254	AXIS P1355

5. Sélectionnez un périphérique en cliquant sur l'adresse IP.
6. Le périphérique sélectionné s'ouvre dans un navigateur.

### Remarque

- Pour savoir comment paramétrer le périphérique Axis, consultez le manuel d'utilisation correspondant, disponible sur le site [www.axis.com](http://www.axis.com)
- La durée de démarrage des périphériques varie en fonction des produits. Cela peut prendre quelques minutes avant que le périphérique n'apparaisse dans la liste des caméras de l'interface Web.

## Recherche de panne

- Impossible de trouver le SSID
  - Vérifiez que le témoin WLAN est allumé.
  - Sélectionnez un autre canal.
  - Assurez-vous que l'appareil portable prend en charge le mode 5GHz, sinon, passez au mode 2.4GHz sur AXIS T8415.
- Aucun périphérique dans la liste des périphériques de l'application
  - Vérifiez que le témoin WLAN est allumé.

- La durée de démarrage des périphériques varie en fonction des produits. Cela peut prendre quelques minutes avant que le périphérique n'apparaisse.
- Assurez-vous que Bonjour est activé sur le produit Axis.
- Assurez-vous que le périphérique n'a pas une adresse IP comprise dans la plage 10.252.252.X
- Impossible de se connecter à l'interface web AXIS T8415 en utilisant un câble réseau et un ordinateur.
  - Vérifiez que le câble réseau est branché sur le port qui convient (NET).
- Pas de caméra dans la Liste des caméras (interface Web) lors de l'utilisation d'un ordinateur portable pour l'installation.
  - Vérifiez que les câbles réseau sont branchés sur les ports qui conviennent :  
CAM : Brancher à la caméra  
NET : Brancher à l'ordinateur portable
  - Assurez-vous que le périphérique et AXIS T8415 sont sur la même plage d'adresses IP.
  - Assurez-vous que l'AXIS T8415 est utilisé comme passerelle par défaut.
  - Assurez-vous que le périphérique n'a pas une adresse IP comprise dans la plage 10.252.252.X
- Faible ips dans l'image lors de l'utilisation de l'application.
  - Vérifiez l'indicateur WLAN sur l'appareil portable pour connaître la force du signal.
  - Vérifiez que le réseau sans fil est réglé sur 5GHz.
  - Sélectionnez un autre canal.

La liste ci-dessous est applicable si vous essayez de découvrir une caméra autre que Axis avec le support Onvif.

- Le périphérique est réglé sur une adresse IP dynamique, mais il n'y a pas de serveur DHCP sur le réseau.
  - Activez le serveur DHCP intégré sur l'AXIS T8415.
- Le périphérique est réglé sur une adresse IP dynamique, et il y a un serveur DHCP sur le réseau.
  - Configurez l'AXIS T8415 pour une adresse IP dynamique.
- Le périphérique a une adresse IP fixe.
  - Configurez AXIS T8415 pour avoir une adresses IP sur la même plage que le périphérique.

## Réinitialisation aux paramètres d'usine par défaut

### Important

- La restauration des paramètres par défaut doit être effectuée avec prudence. Cette opération reconfigure tous les paramètres aux valeurs d'usine par défaut.
- Assurez-vous que l'indicateur WLAN est allumé en continu avant de procéder à une réinitialisation aux paramètres d'usine.



Pour réinitialiser l'appareil aux paramètres d'usine par défaut :

1. Maintenez le bouton Reset enfoncé pendant 10 secondes.
2. L'AXIS T8415 redémarre avec toutes les valeurs réinitialisées aux paramètres d'usine par défaut.

#### Remarque

Voir *Présentation du matériel*, on page 24 pour savoir où se trouve le bouton Reset.

## Informations sur la garantie

Pour plus d'informations sur la garantie du produit Axis et des informations connexes, rendez-vous sur [axis.com/warranty](http://axis.com/warranty).

FR



# Sicherheitsinformationen

## Gefährdungsstufen

### **⚠ GEFAHR**

Weist auf eine gefährliche Situation hin, welche, wenn sie nicht vermieden wird, zum Tod oder zu schweren Verletzungen führen wird.

### **⚠ WARNUNG**

Weist auf eine gefährliche Situation hin, welche, wenn sie nicht vermieden wird, zum Tod oder zu schweren Verletzungen führen könnte.

### **⚠ VORSICHT**

Weist auf eine gefährliche Situation hin, welche, wenn sie nicht vermieden wird, zu leichteren oder mäßig schweren Verletzungen führen könnte.

### **HINWEIS**

Weist auf eine Situation hin, welche, wenn sie nicht vermieden wird, zu Sachschäden führen könnte.

DE

## Andere Meldeebenen

### **Wichtig**

Weist auf wichtige Informationen hin, die den richtigen Betrieb des Produkts gewährleisten.

### **Hinweis**

Weist auf nützliche Informationen hin, die die optimale Verwendung des Produkts unterstützen.

# Sicherheitsanweisungen

## **HINWEIS**

- Das Axis Produkt muss unter Beachtung der geltenden Gesetze und Bestimmungen betrieben werden.
- Axis empfiehlt, ein abgeschirmtes Netzwerk-Kabel (STP) zu verwenden.
- Lagern Sie das Axis Produkt in einer trockenen und belüfteten Umgebung.
- Das Axis Produkt weder Stößen noch starkem Druck aussetzen.
- Das Axis Produkt keinen Schwingungen aussetzen.
- Verwenden Sie bei der Installation des Axis Produkts ausschließlich passende Werkzeuge. Ein zu großer Kraftaufwand mit elektrischen Werkzeugen kann das Produkt beschädigen.
- Verwenden Sie keine chemischen, ätzenden oder aerosolhaltigen Reinigungsmittel.
- Verwenden Sie zur Reinigung des Geräts ein weiches, mit lauwarmem reinen Wasser befeuchtetes Tuch.
- Verwenden Sie zur Reinigung Ihres Geräts keine chemischen Substanzen wie Fensterreiniger oder Aceton.
- Verwenden Sie nur Zubehör, das den technischen Vorgaben Ihres Produkts entspricht. Dieses ist von Axis oder Drittanbietern erhältlich. Axis empfiehlt die mit Ihrem Produkt kompatible Stromversorgung von Axis.
- Verwenden Sie ausschließlich Ersatzteile die von Axis angeboten oder empfohlen werden.
- Versuchen Sie nicht, dieses Produkt selbsttätig zu reparieren. Wenden Sie sich bezüglich Reparatur und Wartung an den Axis Support oder Ihren Axis Händler.

## **Blei-Säure-Batterie**

Dieses Axis Produkt verwendet eine Blei-Säure-Batterie zur Stromversorgung.

## **HINWEIS**

- Wegen der Selbstentladungseigenschaften dieses Batterietyps muss die Batterie nach sechsmonatiger Lagerung unbedingt aufgeladen werden, ansonsten kann es aufgrund von Sulfatierung zu einem dauerhaften Kapazitätsverlust kommen.
- Verwenden Sie ausschließlich das mitgelieferte Ladegerät.

## **▲ VORSICHT**

Laden oder entladen Sie Batterien niemals in einem hermetisch abgedichteten Gehäuse. Innerhalb von Batterien entstehen Gasmischungen. Unter entsprechenden Bedingungen, wie beispielsweise einer extremen Überladung oder einem Kurzschließen der Batterie, können diese Gase ins Gehäuse gelangen und bei Funkenbildung ein Explosionsrisiko darstellen.

**⚠ VORSICHT**

- Entsorgen Sie die Batterie niemals in einem Feuer, da ansonsten die Gefahr einer Explosion besteht oder toxische Gase entstehen können.
- Versuchen Sie nicht, die Batterie zu zerlegen, da Schwefelsäure austreten und dies Verletzungen verursachen kann.

**HINWEIS**

Verbrauchte Batterien sind gemäß den örtlichen Vorschriften oder den Anweisungen des Herstellers zu entsorgen.

# Installationsanleitung

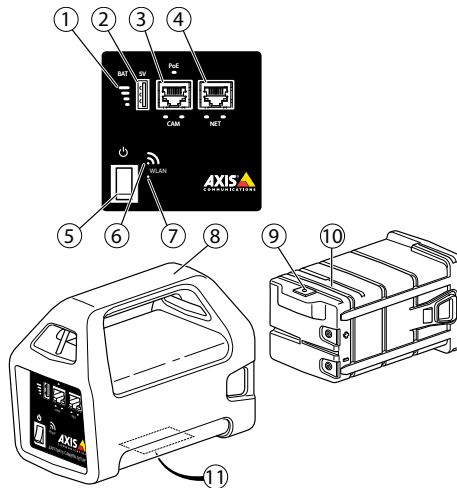
Diese Installationsanleitung enthält Anweisungen für das AXIS T8415 Wireless-Installations-Tool. Mit diesem Installationstool können Kameras mithilfe eines Laptops oder einer App installiert werden. Für eine optimale Leistung und Funktion wird die Verwendung der App empfohlen.

Weitere Informationen zur Nutzung dieses Produkts finden Sie im Benutzerhandbuch auf [www.axis.com](http://www.axis.com).

## Lieferumfang

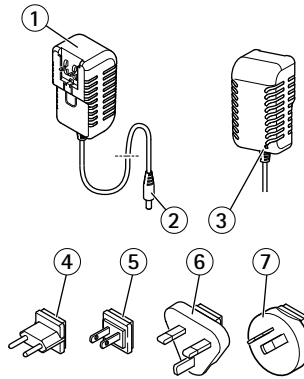
- Haupteinheit
- Ladegerät
- Batterie
- Riemen
- Gedruckte Dokumente
  - Installationsanleitung (dieses Dokument)

## Übersicht über die Hardware



- 1 Batterieanzeige
- 2 USB-Ladeport (nicht Daten führend)
- 3 RJ-45-PoE (CAM)
- 4 RJ-45 ohne PoE (NET)
- 5 Ein/Aus-Schalter
- 6 WLAN-Anzeige
- 7 Reset-Taste
- 8 Haupteinheit

- 9 Anschluss für Batterieladegerät
- 10 Batterie
- 11 Etikett (Netzwerkeinstellungen)



- 1 Ladegerät
- 2 Stecker des Ladegeräts
- 3 Ladegerät-LED
- 4 Netzkabelstecker (EU)
- 5 Netzkabelstecker (USA)
- 6 Netzkabelstecker (GB)
- 7 Netzkabelstecker (AU)

DE

## Netzwerk-Anschluss

Ethernet-Anschluss RJ-45

RJ45-Ethernetanschluss mit Power over Ethernet Plus (PoE+).

### HINWEIS

Aufgrund örtlicher Vorschriften oder je nach Umgebung oder elektrischer Anlage, in/mit der das Produkt verwendet wird, kann ein abgeschirmtes Netzwerk-Kabel (STP) empfehlenswert oder notwendig sein. Alle Netzwerk-Kabel des Produkts, die im Außenbereich oder in anspruchsvollen elektrischen Umgebungen verlegt werden, müssen hierfür ausgelegt sein. Sicherstellen, dass die Netzwerk-Geräte gemäß den Anweisungen des Herstellers installiert werden. Informationen zu gesetzlichen Bestimmungen finden Sie unter *Hinweise zur elektromagnetischen Verträglichkeit (EMV), on page* .

## USB-Anschluss

Das AXIS T8415 verfügt über einen USB-Anschluss (nicht Daten führend). Über diesen Anschluss können kompatible Handgeräte (5 V, 2,1 A) aufgeladen werden.

### Hinweis

- Das AXIS T8415 muss während des Aufladens eines Handgeräts eingeschaltet sein.
- Das Aufladen von Handgeräten belastet die Batterie der Einheit. Wenn diese einen kritischen Niedrigstand erreicht, werden Handgeräte nicht weiter aufgeladen. Informationen zum

Batteriestatus finden Sie unter *Übersicht über die Hardware*, on page 38 Batterieanzeige. Um den Ladevorgang fortzusetzen, müssen Sie die Batterie durch eine voll aufgeladene ersetzen, siehe *Austausch der Batterie*, on page 43.

## AXIS T8415 Weboberfläche

Über die AXIS T8415 Weboberfläche können Netzwerkeinstellungen bearbeitet und die Firmware aktualisiert werden.

Geben Sie für den Zugriff auf die Weboberfläche die IP-Adresse der Einheit in einen Browser ein. Die IP-Adresse befindet sich auf dem Etikett auf der Haupteinheit.

### Hinweis

- Die Bildschirmfotos stimmen möglicherweise nicht mit den neuesten Firmware-Versionen überein.
- AXIS T8415 verfügt über zwei IP-Adressen: Eine für die Verbindung über WiFi und eine für die Verbindung über ein verkabeltes Netzwerk.

The screenshot shows the web interface for an AXIS T8415 camera. The top navigation bar includes the AXIS logo, the device name 'AXIS T8415', and links for 'Camera List' and 'Setup'. A left sidebar contains menu items: 'Device', 'Network' (selected), and 'Maintenance'. The main content area is titled 'Device' and contains two sections: 'Settings' and 'Information'. In the 'Settings' section, the 'Name' field is set to 'AXIS T8415' and there is a 'Save' button below it. The 'Information' section lists: Model: T8415, Software version: V1.0.7, Identification: acc:cc:8e:22:00:07, and Battery level: 47%.

- Name: Name der Einheit, kann geändert werden.

### Netzwerk – WiFi-Oberfläche

The screenshot shows the 'Wifi Interface' configuration page in the AXIS T8415 web interface. The top navigation bar is the same as in the previous screenshot. The left sidebar now has 'Wifi Interface' selected under the 'Network' menu. The main content area is titled 'Wifi Interface' and contains an 'Interface Configuration' section. Fields include: Address: 10.252.252.1, Subnet mask: 255.255.255.0, Gateway: 10.252.252.1, SSID: AXIS\_220007, and WPA password: password. The Mode is set to 5GHz (radio button selected) with 2.4GHz also available. The Channel is set to 40 (radio button selected) with 36 and 44 also available. A 'Save' button is at the bottom.

- Address (Adresse): Die IP-Adresse für die Einheit.
- Subnet mask (Subnetzmaske): Die Subnetzmaske für die Einheit.
- Gateway: Standardgateway für die Einheit.
- SSID: Name des drahtlosen Netzwerks, kann geändert werden.



- WPA password (WPA-Kennwort): Kennwort für das drahtlose Netzwerk, kann geändert werden.
- Mode (Modus): Einstellen des Frequenzmodus für das Drahtlosnetzwerk. Wählen Sie 2,4 GHz oder 5 GHz.
- Channel (Kanal): Einstellen des Kanals für das Drahtlosnetzwerk.

#### Hinweis

- Standard-SSID und Kennwort befinden sich auf dem Etikett auf der Haupteinheit. Wenn Sie diese über die Weboberfläche ändern, verliert das Etikett seine Gültigkeit.
- AXIS T8415 unterstützt sowohl 2,4 GHz als auch 5 GHz.
- Die Kanäle unterscheiden sich je nach Land.

## Netzwerk – Verkabeltes Netzwerk

DE

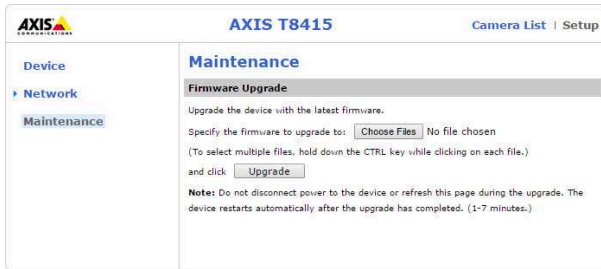
The screenshot shows the 'Wired Network' configuration page for an AXIS T8415 camera. The page is divided into several sections:

- External DHCP Server:** Shows 'Server detected: No' with a note '(Reboot device to re-scan)'.
- Onboard DHCP Server:** Features two radio buttons: 'Server On' (unselected) and 'Server Off' (selected). A 'Save' button is below.
- Ethernet Ports:** Displays the status of two ports: 'Port 1: Connected' and 'Port 2 (POE): Connected, powered'.
- Interface Configuration:** Offers two options: 'Obtain an IP address via DHCP' (unselected) and 'Assign a static IP address' (selected). Below this are three input fields: 'Address' (10.253.253.253), 'Subnet mask' (255.255.255.0), and 'Gateway' (10.253.253.253). A 'Save' button is at the bottom.

- External DHCP Server (Externer DHCP-Server): Erfassung eines externen DHCP-Servers.
- Onboard DHCP Server (Integrierter DHCP-Server):
  - On (An): Interner DHCP-Server ist aktiviert
  - Off (Aus): Interner DHCP-Server ist deaktiviert
- Ethernet Ports (Ethernet-Ports): Status der Ethernet-Ports:
  - Connected (Verbunden): Kamera/Laptop ist mit dem Ethernet-Port verbunden
  - Unconnected (Nicht verbunden): Mit dem Ethernet-Port ist keine Kamera/kein Laptop verbunden.
- Interface Configuration (Schnittstellenkonfiguration): IP-Adresse manuell einstellen oder von einem DHCP-Server abrufen.
- Address (Adresse): Die IP-Adresse für die Einheit.
- Subnet mask (Subnetzmaske): Die Subnetzmaske für die Einheit.

- Gateway: Standardgateway für die Einheit.

## Wartung



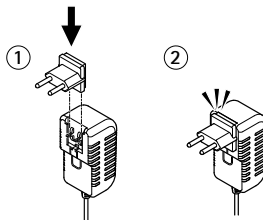
Aktualisieren der Firmware für AXIS T8415.

### Hinweis

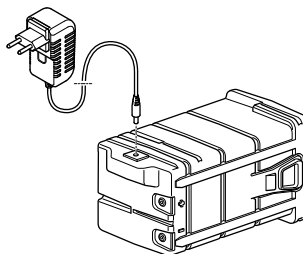
Die aktuelle Firmware finden Sie unter [www.axis.com](http://www.axis.com).

## Aufladen der Batterie

Stecken Sie den landesspezifischen Netzstecker in das Ladegerät, wie unten dargestellt.



Schließen Sie (wie unten dargestellt) das Batterieladegerät an die Batterie an und stecken Sie es in die Steckdose.



LED	Verhalten
Rot	Batterie wird aufgeladen
Grün	Batterie voll aufgeladen

#### Hinweis

Die Ladegerät-LED befindet sich vorne am Ladegerät, siehe *Übersicht über die Hardware*, on page 38.

#### HINWEIS

- Wegen der Selbstentladungseigenschaften dieses Batterietyps muss die Batterie nach sechsmonatiger Lagerung unbedingt aufgeladen werden, ansonsten kann es aufgrund von Sulfatierung zu einem dauerhaften Kapazitätsverlust kommen.
- Verwenden Sie ausschließlich das mitgelieferte Ladegerät.

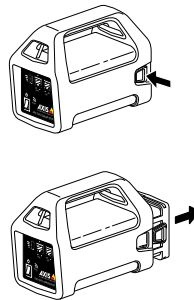
#### ⚠ VORSICHT

Laden oder entladen Sie Batterien niemals in einem hermetisch abgedichteten Gehäuse. Innerhalb von Batterien entstehen Gasmischungen. Unter entsprechenden Bedingungen, wie beispielsweise einer extremen Überladung oder einem Kurzschließen der Batterie, können diese Gase ins Gehäuse gelangen und bei Funkenbildung ein Explosionsrisiko darstellen.

DE

## Austausch der Batterie

Wechseln Sie die Batterie wie unten dargestellt.



#### ⚠ VORSICHT

- Entsorgen Sie die Batterie niemals in einem Feuer, da ansonsten die Gefahr einer Explosion besteht oder toxische Gase entstehen können.
- Versuchen Sie nicht, die Batterie zu zerlegen, da Schwefelsäure austreten und dies Verletzungen verursachen kann.
- Wenn die Batterie zerlegt wird, erlischt die Gewährleistung.

#### HINWEIS

Verbrauchte Batterien sind gemäß den örtlichen Vorschriften oder den Anweisungen des Herstellers zu entsorgen.

## Vorbereitungen zur Installation

Das AXIS T8415 Wireless Installation Tool ermöglicht Geräteinstallationen über ein Mobiltelefon, Tablett oder einen Laptop. Wir empfehlen, dass Sie die AXIS Installer App herunterladen.

- Stellen Sie sicher, dass die Batterie vor der Verwendung voll aufgeladen wurde. Siehe dazu *Aufladen der Batterie, on page 42*
- Wenn Sie die AXIS Installer App verwenden möchten, stellen Sie sicher, dass sie auf Ihrem mobilen Gerät installiert ist, bevor Sie eine Verbindung zum AXIS T8415 WiFi-Netzwerk herstellen.
- Das Gerät muss vor Anschluss des Geräts an die Haupteinheit eingeschaltet werden.

### Hinweis

Die AXIS Installer App kann vom App Store oder von Google Play heruntergeladen werden.

## Herstellen einer Verbindung zum AXIS T8415 WiFi

### Handgerät

1. Aktivieren Sie WiFi auf dem Handgerät.
2. Wählen Sie die SSID der Einheit aus.
3. Geben Sie das Kennwort ein.

### Laptop

1. Aktivieren Sie WiFi auf dem Computer.
2. Wählen Sie die SSID der Einheit aus.
3. Geben Sie das Kennwort ein.

### Wichtig

Stellen Sie sicher, dass der Computer so konfiguriert ist, dass er eine IP-Adresse von einem DHCP-Server erhält.

### Hinweis

Standard-SSID und Kennwort befinden sich auf dem Etikett auf der Haupteinheit.

## Installation des Geräts – AXIS Installer App

1. Laden Sie die AXIS Installer App herunter.
2. Installieren Sie die App auf Ihrem mobilen Gerät.
3. Schließen Sie das Gerät, das Sie installieren möchten, am CAM-Port (PoE) der Haupteinheit an.
4. Überprüfen Sie, ob die PoE-Statusanzeige leuchtet.
5. Stellen Sie eine Verbindung zum AXIS T8415 WiFi her, siehe *Herstellen einer Verbindung zum AXIS T8415 WiFi, on page 44*.
6. Konfigurieren Sie das Gerät in AXIS Installer.

### Hinweis

Die Inbetriebnahme von Geräten dauert je nach Produkt unterschiedlich lang. Es kann etwas dauern, bis das Gerät in der Geräteliste der App angezeigt wird.

### Hinweis

Informationen zur Verwendung der AXIS Installer App finden Sie im Benutzerhandbuch zu AXIS Installer in der App oder auf [help.axis.com](http://help.axis.com).

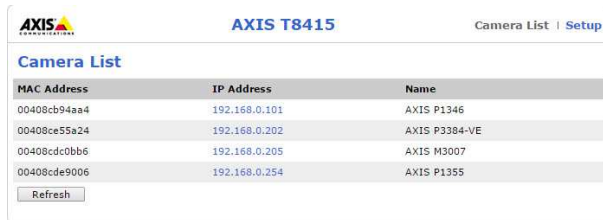
## Installation des Geräts – Laptop

Wenn Sie einen Laptop verwenden, empfehlen wir Ihnen, AXIS IP Utility auf [axis.com](http://axis.com) aufzurufen und herunterzuladen, um Geräte schnell zu erkennen und zu installieren.

1. Schließen Sie das Gerät am CAM-Port (PoE) der Haupteinheit an.
2. Überprüfen Sie, ob die PoE-Statusanzeige leuchtet.
3. Schließen Sie den Laptop am NET-Port (ohne PoE) der Haupteinheit an.
4. Starten Sie AXIS IP Utility oder rufen Sie die Weboberfläche auf und drücken Sie auf Kameraliste

### Hinweis

Informationen zum Zugriff auf die AXIS T8415 Weboberfläche finden Sie unter *AXIS T8415 Weboberfläche, on page 40*.



MAC Address	IP Address	Name
00408cb94aa4	192.168.0.101	AXIS P1346
00408ce55a24	192.168.0.202	AXIS P3384-VE
00408cdc0bb6	192.168.0.205	AXIS M3007
00408cde9006	192.168.0.254	AXIS P1355

5. Wählen Sie ein Gerät aus, indem Sie auf die IP-Adresse klicken.
6. Das ausgewählte Gerät wird jetzt in einem Browser geöffnet.

### Hinweis

- Weitere Informationen über die Geräteeinstellungen des jeweiligen Axis Produkts finden Sie im Benutzerhandbuch unter [www.axis.com](http://www.axis.com).
- Die Inbetriebnahme von Geräten dauert je nach Produkt unterschiedlich lang. Es kann einige Minuten dauern, bis das Gerät in der Kameraliste der Weboberfläche angezeigt wird.

## Fehlerbehebung

- Kann die SSID nicht finden.
  - Überprüfen Sie, ob die WLAN-Statusanzeige leuchtet.
  - Wählen Sie einen anderen Kanal aus.

DE

- Überprüfen Sie, ob das Handgerät den 5-GHz-Modus unterstützt. Wenn nicht, schalten Sie das AXIS T8415 in den 2,4-GHz-Modus.
- **Kein Gerät in der Geräteliste der App**
  - Überprüfen Sie, ob die WLAN-Statusanzeige leuchtet.
  - Die Inbetriebnahme von Geräten dauert je nach Produkt unterschiedlich lang. Es kann einige Minuten dauern, bis ein Gerät angezeigt wird.
  - Überprüfen Sie, ob Bonjour auf dem Axis Produkt aktiviert wurde.
  - Stellen Sie sicher, dass das Gerät nicht über eine IP-Adresse im Bereich 10.252.252.X verfügt.
- **Die Anmeldung auf der AXIS T8415 Weboberfläche ist mit einem Netzwerk-Kabel und einem PC nicht möglich.**
  - Stellen Sie sicher, dass das Netzwerk-Kabel am richtigen Port (NET) angeschlossen ist.
- **Bei Verwendung eines Laptops für die Installation wird in der Kameraliste auf der Weboberfläche keine Kamera angezeigt.**
  - Stellen Sie sicher, dass die Netzwerk-Kabel an den richtigen Ports angeschlossen sind.  
CAM: Kameraanschluss  
NET: Laptopanschluss
  - Stellen Sie sicher, dass das Gerät und das AXIS T8415 im gleichen IP-Adressbereich sind.
  - Stellen Sie sicher, dass das AXIS T8415 als Standardgateway verwendet wird.
  - Stellen Sie sicher, dass das Gerät nicht über eine IP-Adresse im Bereich 10.252.252.X verfügt.
- **Bildrate und Auflösung sind bei Verwendung der App zu niedrig.**
  - Überprüfen Sie die Signalstärke in der WLAN-Anzeige auf dem mobilen Gerät.
  - Stellen Sie sicher, dass das Drahtlosnetzwerk auf 5 GHz eingestellt ist.
  - Wählen Sie einen anderen Kanal aus.

Die folgende Liste gilt, wenn eine Kamera von einem anderen Hersteller als Axis mit Onvif-Unterstützung erfasst werden soll.

- **Auf dem Gerät wurde eine dynamische IP-Adresse eingestellt, es ist jedoch kein DHCP-Server im Netzwerk vorhanden.**
  - Aktivieren Sie den integrierten DHCP-Server auf dem AXIS T8415.
- **Auf dem Gerät wurde eine dynamische IP-Adresse eingestellt, und ist ein DHCP-Server im Netzwerk vorhanden.**
  - Konfigurieren Sie das AXIS T8415 für eine dynamische IP-Adresse.
- **Das Gerät hat eine statische IP-Adresse.**
  - Konfigurieren Sie das AXIS T8415 so, dass die IP-Adresse im gleichen Bereich wie die des Geräts liegt.

## Zurücksetzen auf werksseitige Standardeinstellungen

### Wichtig

- Das Zurücksetzen auf die Werkseinstellungen muss mit Umsicht geschehen. Beim Zurücksetzen auf die werksseitigen Standardeinstellungen werden alle Werte auf die Werkseinstellungen zurückgesetzt.
- Stellen Sie vor dem Zurücksetzen auf die Werkseinstellungen sicher, dass die WLAN-Anzeige dauerhaft leuchtet.

Um das Produkt auf die Werkseinstellungen zurückzusetzen:

1. Halten Sie die Reset-Taste 10 Sekunden lang gedrückt.
2. Das AXIS T8415 wird neu gestartet und alle Werte werden auf die werksseitigen Standardeinstellungen zurückgesetzt.

### Hinweis

Unter *Übersicht über die Hardware, on page 38* ist dargestellt, wo sich die Reset-Taste befindet.

DE

## Gewährleistungsinformationen

Informationen zur Gewährleistung für Axis Produkte und andere in diesem Zusammenhang relevante Informationen finden Sie unter [axis.com/warranty](http://axis.com/warranty).





# Informazioni di sicurezza

## Livelli di pericolo

### **⚠ PERICOLO**

Indica una situazione pericolosa che, se non evitata, provoca morte o lesioni gravi.

### **⚠ AVVISO**

Indica una situazione pericolosa che, se non evitata, potrebbe provocare la morte o lesioni gravi.

### **⚠ ATTENZIONE**

Indica una situazione pericolosa che, se non evitata, potrebbe provocare lesioni medie o minori.

### **AVVISO**

Indica una situazione che, se non evitata, potrebbe danneggiare la proprietà.

IT

## Altri livelli di messaggio

### **Importante**

Indica informazioni importanti, essenziali per il corretto funzionamento del dispositivo.

### **Nota**

Indica informazioni utili che aiutano a ottenere il massimo dal dispositivo.

# Istruzioni per la sicurezza

## **AVVISO**

- Il dispositivo Axis deve essere utilizzato in conformità alle leggi e alle normative locali.
- Axis consiglia l'uso di un cavo di rete schermato (STP).
- Conservare il dispositivo Axis in un ambiente asciutto e ventilato.
- Evitare di esporre il dispositivo Axis a urti o pressioni eccessive.
- Evitare di esporre il dispositivo Axis a vibrazione.
- Utilizzare solo strumenti applicabili quando si installa il prodotto Axis. Se si utilizza una forza eccessiva con strumenti non adatti è possibile causare danni al dispositivo.
- Non utilizzare sostanze chimiche, agenti caustici o detergenti aerosol.
- Usare un panno morbido inumidito con acqua pura tiepida per pulire il dispositivo.
- Non utilizzare sostanze chimiche come detergenti per vetri o acetone per pulire il dispositivo.
- Utilizzare solo accessori compatibili con le specifiche tecniche del dispositivo. Questi possono essere forniti da Axis o da terze parti. Axis consiglia l'uso dell'apparecchiatura di alimentazione Axis compatibile con il dispositivo.
- Utilizzare solo parti di ricambio fornite o consigliate da Axis.
- Non tentare di riparare il dispositivo da soli. Contattare l'assistenza o il rivenditore Axis per questioni relative alla manutenzione.

## **Batteria al piombo acido**

Il dispositivo Axis utilizza una batteria al piombo acido come alimentazione.

## **AVVISO**

- A causa delle caratteristiche di scaricamento automatico di questo tipo di batteria, è imperativo che la batteria venga mantenuta carica entro 6 mesi quando riposta, altrimenti può verificarsi una perdita permanente della capacità a causa della solfatazione.
- Utilizzare solo il caricabatterie fornito.

## **⚠ ATTENZIONE**

Non caricare o scaricare una batteria in un contenitore ermeticamente chiuso. Le batterie generano una miscela di gas internamente. In presenza di determinate circostanze, ad esempio un sovraccarico intenso o un corto circuito della batteria, questi gas possono infiammarsi nel contenitore e creare i presupposti di un'esplosione se innescata da una scintilla.

## **⚠ ATTENZIONE**

- Non gettare mai le batterie nel fuoco in quanto possono provocare esplosioni o generare gas tossici.
- Non tentare di smontare la batteria in quanto si potrebbero causare perdite di acido solforico che può provocare lesioni.

**AVVISO**

Smaltire le batterie usate in base alle normative locali o alle istruzioni del produttore della batteria.

## Guida all'installazione

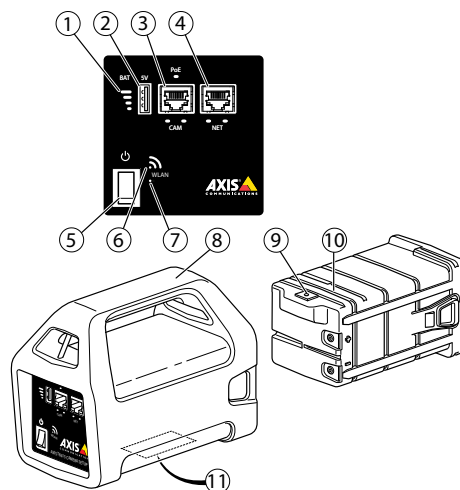
La presente guida all'installazione fornisce le istruzioni per l'installazione di AXIS T8415 Wireless Installation Tool. Questo strumento di installazione supporta l'utilizzo di un computer portatile o di un'applicazione per l'installazione delle telecamere. Per ottimizzare le prestazioni e l'esperienza si consiglia di utilizzare l'applicazione.

Per ulteriori informazioni sull'utilizzo del prodotto, consultare la Guida per l'utente disponibile all'indirizzo [www.axis.com](http://www.axis.com).

### Contenuto della confezione

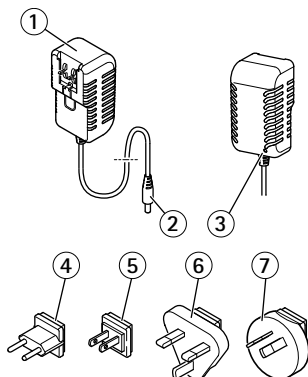
- Unità principale
- Caricabatterie
- Batteria
- Cinghia
- Materiali stampati
  - Guida all'installazione (questo documento)

### Panoramica dell'hardware



- 1 *Indicatore della batteria*
- 2 *Porta di ricarica USB (non dati)*
- 3 *RJ45 PoE (CAM)*
- 4 *RJ45 non PoE (NET)*
- 5 *Interruttore accensione/spengimento*
- 6 *Indicatore WLAN*
- 7 *Pulsante di ripristino*

- 8 Unità principale
- 9 Connettore del caricabatterie
- 10 Batteria
- 11 Etichetta (impostazioni di rete)



- 1 Caricabatterie
- 2 Connettore maschio del caricabatterie
- 3 LED del caricabatterie
- 4 Spina di alimentazione (EU)
- 5 Spina di alimentazione (USA)
- 6 Spina di alimentazione (UK)
- 7 Spina di alimentazione (AU)

IT

### Connettore di rete

Connettore Ethernet RJ45.

Connettore Ethernet RJ45 con Power over Ethernet Plus (PoE +).

#### AVVISO

A causa di normative locali o condizioni ambientali ed elettriche in cui il prodotto deve essere utilizzato, può essere opportuno o necessario l'utilizzo di un cavo di rete schermato (STP). Tutti i cavi di rete del dispositivo posizionati all'aperto o in ambienti elettrici in condizioni difficili sono destinati al loro uso specifico. Accertarsi che i dispositivi di rete siano installati secondo le istruzioni del produttore. Per maggiori informazioni sui requisiti normativi, vedere EMC (Electromagnetic Compatibility) - *Compatibilità Elettromagnetica, on page* .

### Connettore USB

AXIS T8415 è dotato di un connettore USB (non dati). Questo connettore può essere utilizzato per ricaricare qualsiasi dispositivo portatile compatibile (5V, 2,1A).

#### Nota

- AXIS T8415 deve essere acceso quando si ricarica un dispositivo portatile.
- La ricarica di un dispositivo portatile influisce sulla batteria dell'unità. Quando raggiunge un livello minimo critico l'unità smette di ricaricare il dispositivo portatile. Consultare

*Panoramica dell'hardware*, on page 52 Indicatore della batteria per lo stato della batteria. Per continuare a caricare, sostituire la batteria con una appena ricaricata, vedere *Cambiare la batteria*, on page 57.

## Interfaccia Web di AXIS T8415

Nell'interfaccia Web di AXIS T8415 è possibile modificare le impostazioni di rete e aggiornare il firmware.

Accedere all'interfaccia Web digitando l'indirizzo IP delle unità in un browser. L'indirizzo IP si trova sull'etichetta dell'unità principale.

### Nota

- Le schermate effettive potrebbero cambiare con i gli aggiornamenti del firmware.
- AXIS T8415 ha due indirizzi IP. Uno per la connessione tramite WiFi e uno per la connessione tramite rete cablata.



The screenshot shows the 'AXIS T8415' web interface. The left sidebar has 'Device', 'Network', and 'Maintenance' options. The main content area is titled 'Device' and contains two sections: 'Settings' and 'Information'. In the 'Settings' section, the 'Name' field is set to 'AXIS T8415' and there is a 'Save' button below it. The 'Information' section lists: Model: T8415, Software version: V1.0.7, Identification: a:cccc8e:22:00:07, and Battery level: 47%.

- Name (Nome): nome dell'unità, può essere modificato.

### Network (Rete) - Wifi Interface (Interfaccia Wifi)



The screenshot shows the 'AXIS T8415' web interface with the 'Wifi Interface' configuration page. The left sidebar has 'Device', 'Network', and 'Maintenance' options, with 'Wifi Interface' selected under 'Network'. The main content area is titled 'Wifi Interface' and contains an 'Interface Configuration' section. Fields include: Address: 10.252.252.1, Subnet mask: 255.255.255.0, Gateway: 10.252.252.1, SSID: AXIS\_220007, WPA password: password, Mode: 2.4GHz (selected) and 5GHz, and Channel: 36, 40, and 44. A 'Save' button is at the bottom.

- Address (Indirizzo): indirizzo IP dell'unità.
- Subnet mask: subnet mask dell'unità.
- Gateway: gateway predefinito dell'unità.
- SSID: nome della rete wireless, può essere modificato.
- WPA password (Password WPA): password della rete wireless, può essere modificata.

- Mode (Modalità): impostare la modalità di frequenza per la rete wireless. Selezionare 2,4GHz o 5GHz.
- Channel (Canale): impostare il canale per la rete wireless.

#### Nota

- Il SSID e la password predefiniti si trovano sull'etichetta dell'unità principale. Se vengono modificati nell'interfaccia Web, l'etichetta non è più valida.
- AXIS T8415 supporta 2,4GHz e 5GHz.
- I canali possono variare a seconda del paese.

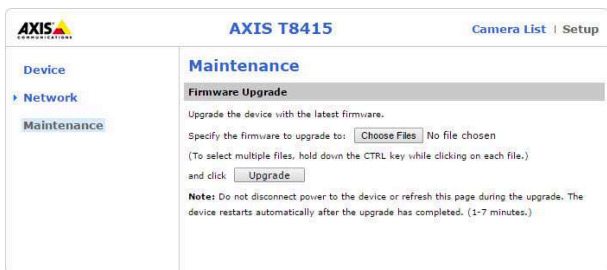
### Network (Rete) – Wired Network (Rete cablata)

The screenshot shows the 'Wired Network' configuration page for an AXIS T8415 device. The page is divided into several sections:

- External DHCP Server:** Shows 'Server detected: No' with a note '(Reboot device to rescan)'. There is a 'Save' button below.
- Onboard DHCP Server:** Features two radio buttons: 'Server On' and 'Server Off'. The 'Server Off' option is selected. A 'Save' button is located below.
- Ethernet Ports:** Displays the status of two ports: 'Port 1: Connected' and 'Port 2 (POE): Connected, powered'. There is a 'Save' button below.
- Interface Configuration:** Offers two options: 'Obtain an IP address via DHCP' (unselected) and 'Assign a static IP address' (selected). Below this, there are three input fields: 'Address' (10.253.253.253), 'Subnet mask' (255.255.255.0), and 'Gateway' (10.253.253.253). A 'Save' button is at the bottom.

- External DHCP Server (Server DHCP esterno): rilevamento di un server DHCP esterno.
- Onboard DHCP Server (Server DHCP su scheda):
  - On (Acceso): server DHCP interno acceso
  - Off (Spento): server DHCP interno spento
- Ethernet Ports (Porte Ethernet): stato delle porte Ethernet.
  - Connected (Connesso): telecamera/portatile connesso alla porta ethernet
  - Unconnected (Non connesso): telecamera/portatile non connesso alla porta ethernet
- Interface Configuration (Configurazione interfaccia): impostare l'indirizzo IP manualmente o ottenere l'indirizzo IP dal un server DHCP.
- Address (Indirizzo): indirizzo IP dell'unità.
- Subnet mask: subnet mask dell'unità.
- Gateway: gateway predefinito dell'unità.

### Manutenzione



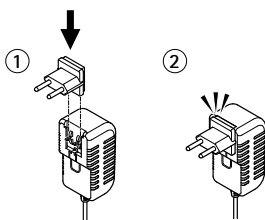
Aggiornare il firmware per AXIS T8415.

#### Nota

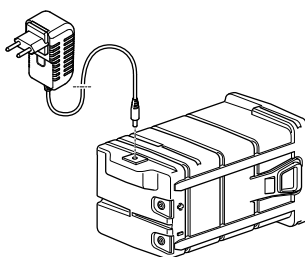
Il firmware più recente è disponibile all'indirizzo [www.axis.com](http://www.axis.com)

## Caricare la batteria

Collegare il cavo di alimentazione specifico del paese al caricabatteria. Vedere l'illustrazione seguente.



Collegare il caricabatteria alla batteria (vedere l'immagine seguente) e alla presa di corrente.



LED	Stato
Rosso	Caricamento della batteria
Verde	Caricamento della batteria completato



#### Nota

Il LED del caricabatterie si trova sul lato anteriore del caricabatterie, vedere *Panoramica dell'hardware*, on page 52

#### AVVISO

- A causa delle caratteristiche di scaricamento automatico di questo tipo di batteria, è imperativo che la batteria venga carica entro 6 mesi dall'immagazzinamento, altrimenti può verificarsi una perdita permanente della capacità a causa della solfatazione.
- Utilizzare solo il caricabatterie fornito.

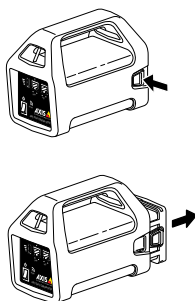
#### ⚠ ATTENZIONE

Non caricare o scaricare una batteria in un contenitore ermeticamente chiuso. Le batterie generano una miscela di gas internamente. In presenza di determinate circostanze, ad esempio un sovraccarico intenso o un corto circuito della batteria, questi gas possono sfogare nel contenitore e creare i presupposti di un'esplosione se innescata da una scintilla.

## Cambiare la batteria

IT

Per informazioni su come cambiare la batteria, fare riferimento all'immagine seguente.



#### ⚠ ATTENZIONE

- Non gettare mai le batterie nel fuoco in quanto possono provocare esplosioni o generare gas tossici.
- Non tentare di smontare la batteria in quanto si potrebbero causare perdite di acido solforico che può provocare lesioni.
- Se la batteria viene smontata la garanzia è nulla.

#### AVVISO

Smaltire le batterie usate in base alle normative locali o alle istruzioni del produttore della batteria.

## Preparazione all'installazione

Usando AXIS T8415 Wireless Installation Tool è possibile eseguire l'installazione del dispositivo con un telefono cellulare, un tablet o un computer portatile. Si consiglia di scaricare l'app AXIS Installer.

- Assicurarsi di caricare completamente la batteria prima dell'utilizzo. Per informazioni, vedere *Caricare la batteria, on page 56*
- Qualora si desiderasse utilizzare l'app AXIS Installer, assicurarsi che sia installata sul proprio dispositivo mobile prima di collegarsi alla rete WiFi di AXIS T8415.
- Assicurarsi che l'alimentazione sia attiva prima di collegare il dispositivo all'unità principale.

### Nota

L'app AXIS Installer può essere scaricata dall'App Store o da Google Play.

## Eeguire la connessione alla rete WiFi di AXIS T8415

### Dispositivo portatile

1. Accendere il WiFi del dispositivo portatile.
2. Selezionare il SSID dell'unità.
3. Immettere la password

### Computer portatile

1. Accendere il WiFi del computer.
2. Selezionare il SSID dell'unità.
3. Immettere la password

### Importante

Assicurarsi che il computer sia configurato in modo da ottenere un indirizzo IP da un server DHCP.

### Nota

Il SSID e la password predefiniti sono stampati sull'etichetta dell'unità principale.

## Installazione dispositivo – App AXIS Installer

1. Scaricare l'app AXIS Installer.
2. Installare l'app sul proprio dispositivo mobile.
3. Collegare il dispositivo che si desidera installare alla porta CAM (PoE) sull'unità principale.
4. Verificare che l'indicatore PoE sia acceso.
5. Eseguire la connessione a AXIS T8415 WiFi, vedere *Eseguire la connessione alla rete WiFi di AXIS T8415, on page 58*.
6. Configurare il dispositivo in AXIS Installer.

## Nota

Il tempo di avvio dei dispositivi varia a seconda del dispositivo. Potrebbe trascorrere del tempo prima che il dispositivo sia visibile nell'elenco dei dispositivi nell'app.

## Nota

Per informazioni sull'utilizzo dell'app AXIS Installer, leggere il manuale per l'utente di AXIS Installer nell'app o sul sito [help.axis.com](http://help.axis.com).

## Installazione dispositivo – Computer portatile

Se viene utilizzato un computer portatile, consigliamo di visitare il sito [axis.com](http://axis.com) e scaricare AXIS IP Utility per scoprire e installare rapidamente i dispositivi.

1. Collegare il dispositivo alla porta CAM (PoE) sull'unità principale.
2. Verificare che l'indicatore PoE sia acceso.
3. Collegare il computer portatile alla porta NET (non PoE) sull'unità principale.
4. Avviare AXIS IP Utility o andare sull'interfaccia web e premere elenco delle telecamere

## Nota

Vedere *Interfaccia Web di AXIS T8415*, on page 54 per informazioni su come accedere all'interfaccia Web di AXIS T8415

MAC Address	IP Address	Name
00408cb94aa4	192.168.0.101	AXIS P1346
00408ce55a24	192.168.0.202	AXIS P3384-VE
00408cdc0bb6	192.168.0.205	AXIS M3007
00408cde9006	192.168.0.254	AXIS P1355

5. Selezionare un dispositivo facendo clic sull'indirizzo IP.
6. Il dispositivo selezionato viene visualizzato in un browser.

## Nota

- Per ulteriori informazioni sulle impostazioni per il relativo dispositivo Axis, consultare il manuale per l'utente del prodotto disponibile sul sito [www.axis.com](http://www.axis.com)
- Il tempo di avvio dei dispositivi varia a seconda del dispositivo. Potrebbero trascorrere alcuni minuti prima che il dispositivo sia visibile nell'elenco delle telecamere dell'interfaccia Web.

## Risoluzione dei problemi

- Impossibile trovare il SSID.
  - Verificare che l'indicatore WLAN sia acceso.
  - Selezionare un canale differente.
  - Assicurarsi che il dispositivo portatile supporti la modalità a 5GHz, in caso contrario passare alla modalità a 2,4GHz su AXIS T8415.

- **Nessun dispositivo nell'elenco dei dispositivi dell'app**
  - Verificare che l'indicatore WLAN sia acceso.
  - Il tempo di avvio dei dispositivi varia a seconda del dispositivo. Potrebbero trascorrere alcuni minuti prima che il dispositivo risulti visibile.
  - Assicurarci che Bonjour sia attivato sul dispositivo Axis.
  - Assicurarci che il dispositivo non abbia un indirizzo IP compreso nell'intervallo 10.252.252.X
- **Impossibile accedere all'interfaccia Web di AXIS T8415 quando si utilizza un cavo di rete e un PC.**
  - Assicurarci che il cavo di rete sia collegato alla porta corretta (NET).
- **Nessuna telecamera nell'elenco delle telecamere (interfaccia Web), quando si utilizza un computer portatile per l'installazione.**
  - Assicurarci che i cavi di rete siano collegati alle porte corrette:  
CAM: collegare alla telecamera  
NET: collegare al computer portatile
  - Assicurarci che il dispositivo e AXIS T8415 siano nello stesso intervallo di indirizzi IP.
  - Assicurarci che AXIS T8415 sia utilizzato come gateway predefinito.
  - Assicurarci che il dispositivo non abbia un indirizzo IP compreso nell'intervallo 10.252.252.X
- **Bassa velocità fps nell'immagine quando si utilizza l'applicazione.**
  - Controllare l'intensità del segnale sul proprio dispositivo mobile fornita dall'indicatore della WLAN.
  - Assicurarci che la rete wireless sia impostata su 5GHz
  - Selezionare un canale differente.

Il seguente elenco si applica quando si tenta di individuare una telecamera non Axis con il supporto Onvif.

- **Il dispositivo è impostato sull'indirizzo IP dinamico ma non è presente un server DHCP nella rete.**
  - Attivare il server DHCP su scheda in AXIS T8415.
- **Il dispositivo è impostato sull'indirizzo IP dinamico ed è presente un server DHCP nella rete.**
  - Configurare AXIS T8415 per l'indirizzo IP dinamico.
- **Il dispositivo ha un indirizzo IP fisso.**
  - Configurare AXIS T8415 in modo che abbia l'indirizzo IP nello stesso intervallo del dispositivo.

## Ripristinare i valori predefiniti di fabbrica

### Importante

- Il ripristino dei valori predefiniti di fabbrica deve essere effettuato con cautela. Un ripristino delle impostazioni di fabbrica consentirà di ripristinare le impostazioni di fabbrica per tutti i parametri.
- Assicurarsi che l'indicatore della WLAN sia sempre acceso prima di eseguire un ripristino di fabbrica.

Per ripristinare il dispositivo alle impostazioni predefinite di fabbrica:

1. Tenere premuto il pulsante di ripristino per circa 10 secondi.
2. AXIS T8415 viene riavviato con tutti i valori reimpostati sui valori predefiniti di fabbrica.

### Nota

Consultare *Panoramica dell'hardware*, on page 52 per l'ubicazione del pulsante di ripristino.

## Informazioni sulla garanzia

Per informazioni sulla garanzia del dispositivo Axis e informazioni ad esso relative, consultare la pagina [axis.com/warranty](http://axis.com/warranty).



# Información de seguridad

## Niveles de peligro

### **▲ PELIGRO**

Indica una situación peligrosa que, si no se evita, provocará lesiones graves o la muerte.

### **▲ ADVERTENCIA**

Indica una situación peligrosa que, si no se evita, puede provocar lesiones graves o la muerte.

### **▲ PRECAUCIÓN**

Indica una situación peligrosa que, si no se evita, puede provocar lesiones moderadas o leves.

### **AVISO**

Indica una situación peligrosa que, si no se evita, puede provocar daños materiales.

## Otros niveles de mensaje

### **Importante**

Indica información importante que es fundamental para que el producto funcione correctamente.

### **Nota**

Indica información útil que ayuda a aprovechar el producto al máximo.

# Instrucciones de seguridad

## AVISO

- Este producto de Axis debe utilizarse de acuerdo con las leyes y normativas locales.
- Axis recomienda utilizar un cable de red blindado (STP).
- Almacene el producto de Axis en un entorno seco y ventilado.
- Evite exponer el producto Axis a golpes o presiones excesivas.
- Evite la exposición del producto de Axis a vibraciones.
- Use solo las herramientas adecuadas al instalar el producto Axis. La aplicación de una fuerza excesiva con herramientas eléctricas puede provocar daños en el producto.
- No utilice productos químicos, agentes cáusticos ni limpiadores en aerosol.
- Utilice un paño suave humedecido con agua pura y tibia para limpiar el dispositivo.
- No utilice productos químicos como un limpiacristales o acetona para limpiar el dispositivo.
- Utilice solo accesorios que cumplan con las especificaciones técnicas de su producto. Puede obtenerlos de Axis o de un tercero. Axis recomienda utilizar un equipo de suministro de alimentación de Axis compatible con su producto.
- Utilice solo piezas de recambio suministradas o recomendadas por Axis.
- No intente reparar el producto usted mismo. Contacte con el servicio de asistencia de Axis o a su distribuidor de Axis para cualquier tema relacionado con el mantenimiento.

## Batería de ácido-plomo

Este producto de Axis utiliza una batería de ácido-plomo como fuente de alimentación.

## AVISO

- A causa de las características de autodescarga de este tipo de baterías, es muy importante cargarlas antes de que se cumplan los seis meses de almacenamiento; en caso contrario, podrían perder capacidad de forma permanente como resultado de la sulfatación.
- Utilice únicamente el cargador proporcionado.

## ⚠ PRECAUCIÓN

Nunca cargue ni descargue una batería en una carcasa herméticamente sellada. Las baterías generan una mezcla de gases internamente. Bajo determinadas circunstancias, como una sobrecarga extrema o un cortocircuito de la batería, estos gases podrían descargarse en la carcasa y generar el potencial para una explosión si se prenden con una chispa.

## ⚠ PRECAUCIÓN

- Nunca deseché las baterías en el fuego, ya que podrían explotar o generar gas tóxico.
- No intente desmontar las baterías, ya que es posible que se produzcan fugas de ácido sulfúrico que podrían causar lesiones.



**AVISO**

Deseche las baterías usadas en conformidad con la normativa local o las instrucciones del fabricante.

ES

# Guía de instalación

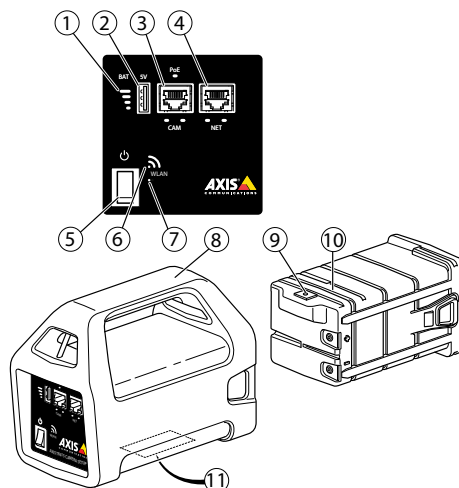
Esta guía de instalación incluye instrucciones para instalar la AXIS T8415 Wireless Installation Tool. La herramienta de instalación se puede usar tanto en portátiles como a través de una aplicación para la instalación de cámaras. Para conseguir un rendimiento y una experiencia óptimos, se recomienda utilizar la aplicación.

Para conocer otros aspectos de uso del producto, vea el manual del usuario disponible en [www.axis.com](http://www.axis.com).

## Contenido del paquete

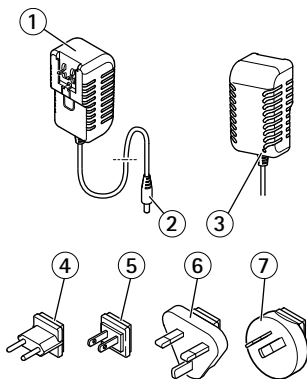
- Unidad principal
- Cargador
- Batería
- Correa
- Materiales impresos
  - Guía de instalación (este documento)

## Información general del hardware



- 1 *Indicador de la batería*
- 2 *Puerto de carga USB (no lleva datos)*
- 3 *RJ45 PoE (CAM)*
- 4 *RJ45 no PoE (NET)*
- 5 *Interruptor de encendido/apagado*
- 6 *Indicador WLAN*
- 7 *Botón de restablecimiento*

- 8 Unidad principal
- 9 Conector del cargador de la batería
- 10 Batería
- 11 Etiqueta (configuración de la red)



- 1 Cargador
- 2 Conector macho del cargador
- 3 LED del cargador
- 4 Enchufe del cable de alimentación (UE)
- 5 Enchufe del cable de alimentación (EE. UU.)
- 6 Enchufe del cable de alimentación (RU)
- 7 Enchufe del cable de alimentación (AU)

ES

### Conector de red

Conector Ethernet RJ45.

Conector Ethernet RJ45 con alimentación a través de Ethernet Plus (PoE+).

#### AVISO

Debido a la normativa local o a las condiciones ambientales y eléctricas en las que se vaya a utilizar el producto, puede que sea adecuado u obligatorio el uso de un cable de red blindado (STP). Todos los cables que conectan el producto a la red y que se utilicen en exteriores o en entornos eléctricos exigentes deberán estar blindados y diseñados para su uso específico. Asegúrese de que los dispositivos de red estén instalados conforme a las instrucciones del fabricante. Para obtener información sobre los requisitos normativos, consulte *Electromagnetic compatibility (EMC)*, on page 4.

### Conector USB

La AXIS T8415 está equipada con un conector USB (sin datos). Este conector puede utilizarse para cargar cualquier dispositivo manual compatible (5 V, 2,1 A).

## Nota

- La AXIS T8415 debe estar encendida al cargar un dispositivo manual.
- La carga de dispositivos manuales influye en la batería de las unidades. Cuando llegue a un nivel críticamente bajo, el dispositivo manual dejará de cargarse. Vea el *Hardware overview, on page 12* indicador de la batería para conocer el estado de la batería. Si desea continuar con la carga, sustituya la batería por una nueva que esté cargada. Vea *Change the Battery, on page 17*.

## Interfaz web de AXIS T8415

En la interfaz web de AXIS T8415 es posible editar la configuración de la red y actualizar el firmware.

Para acceder a la interfaz web, escriba la dirección IP de las unidades en un navegador. La dirección IP se encuentra en la etiqueta de la unidad principal.

## Nota

- Las capturas de pantalla reales pueden cambiar tras la aparición de nuevas versiones de firmware.
- La AXIS T8415 tiene dos direcciones IP: una para la conexión mediante wifi y otra para la conexión por cable a la red.

The screenshot shows the web interface for an AXIS T8415 camera. The page title is "AXIS T8415" and there are links for "Camera List" and "Setup". On the left, a navigation menu includes "Device", "Network", and "Maintenance". The "Device" section is active, showing "Settings" and "Information". Under "Settings", the "Name" field is set to "AXIS T8415" and there is a "Save" button. Under "Information", the following details are listed: Model: T8415, Software version: V1.0.7, Identification: ac:cc:8e:22:00:07, and Battery level: 47%.

- Name (Nombre): el nombre de la unidad (se puede cambiar).

## Red – Interfaz wifi

The screenshot shows the "Wifi Interface" configuration page in the AXIS T8415 web interface. The page title is "AXIS T8415" and there are links for "Camera List" and "Setup". The left navigation menu shows "Device", "Network", and "Maintenance". Under "Network", "Wifi Interface" and "Wired Network" are listed. The "Wifi Interface" section is active, showing "Interface Configuration". The fields are: Address: 10.252.252.1, Subnet mask: 255.255.255.0, Gateway: 10.252.252.1, SSID: AXIS\_220007, and WPA password: password. The Mode is set to 5GHz (radio button selected) and the Channel is set to 40 (radio button selected). There is a "Save" button at the bottom.

- Address (Dirección): la dirección IP de la unidad.
- Subnet mask (Máscara de subred): la máscara de subred de la unidad.

- Gateway (Puerta de enlace): la puerta de enlace predeterminada de la unidad.
- SSID: el nombre de la red inalámbrica (se puede cambiar).
- WPA password (Contraseña WPA): la contraseña de la red inalámbrica (se puede cambiar).
- Mode (Modo): modo de frecuencia establecido para la red inalámbrica. Seleccione 2.4 GHz o 5 GHz.
- Channel (Canal): canal establecido para la red inalámbrica.

#### Nota

- El SSID y la contraseña predeterminados se encuentran en la etiqueta de la unidad principal. Si se cambian en la interfaz web, la etiqueta dejará de ser válida.
- La AXIS T8415 admite 2,4 GHz y 5 GHz.
- Los canales pueden variar según el país.

#### Red – Conexión por cable

The screenshot shows the 'Wired Network' configuration page for an AXIS T8415 device. The page is divided into several sections:

- External DHCP Server:** Shows 'Server detected: No' and a '(Reboot device to rescan)' button.
- Onboard DHCP Server:** Features two radio buttons: 'Server On' (unselected) and 'Server Off' (selected). A 'Save' button is located below.
- Ethernet Ports:** Displays the status of two ports: 'Port 1: Connected' and 'Port 2 (POE): Connected, powered'.
- Interface Configuration:** Contains two radio buttons: 'Obtain an IP address via DHCP' (unselected) and 'Assign a static IP address' (selected). Below this are three input fields: 'Address' (10.253.253.253), 'Subnet mask' (255.255.255.0), and 'Gateway' (10.253.253.253). A 'Save' button is at the bottom.

- External DHCP Server (Servidor DHCP externo): detección de un servidor DHCP externo.
- Onboard DHCP Server (Servidor DHCP integrado):
  - On (Encendido): el servidor DHCP interno está encendido.
  - Off (Apagado): el servidor DHCP interno está apagado.
- Ethernet Ports (Puertos Ethernet): estado de los puertos Ethernet:
  - Connected (Conectado): la cámara o el portátil están conectados al puerto Ethernet.
  - Unconnected (Desconectado): no hay ninguna cámara o portátil conectados al puerto Ethernet.
- Interface Configuration (Configuración de la interfaz): dirección IP establecida manualmente u obtenida de un servidor DHCP.
- Address (Dirección): la dirección IP de la unidad.

- Subnet mask (Máscara de subred): la máscara de subred de la unidad.
- Gateway (Puerta de enlace): la puerta de enlace predeterminada de la unidad.

## Mantenimiento



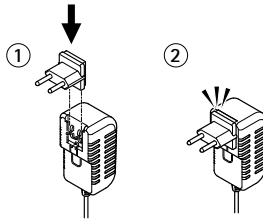
Actualice el firmware de AXIS T8415.

### Nota

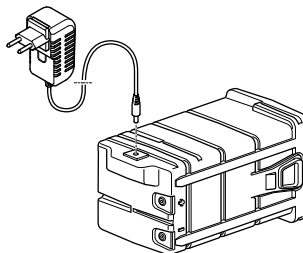
El firmware más reciente se encuentra en [www.axis.com](http://www.axis.com)

## Carga de la batería

Conecte el enchufe del cable de alimentación específico del país al cargador. Vea la siguiente imagen.



Conecte el cargador a la batería (vea la siguiente imagen) y a la toma de corriente.



LED	Comportamiento
Rojo	Batería cargando
Verde	Batería totalmente cargada

#### Nota

El LED del cargador se encuentra en la parte delantera del cargador. Vea *Información general del hardware*, on page 66

#### AVISO

- A causa de las características de autodescarga de este tipo de baterías, es muy importante cargarlas antes de que se cumplan los seis meses de almacenamiento; en caso contrario, podrían perder capacidad de forma permanente como resultado de la sulfatación.
- Utilice únicamente el cargador proporcionado.

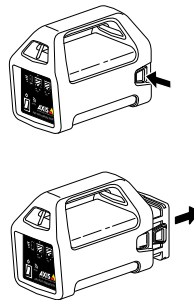
#### ⚠ PRECAUCIÓN

Nunca cargue ni descargue una batería en una carcasa herméticamente sellada. Las baterías generan una mezcla de gases internamente. Bajo determinadas circunstancias, como una sobrecarga extrema o un cortocircuito de la batería, estos gases podrían descargarse en la carcasa y generar el potencial para una explosión si se prenden con una chispa.

ES

## Cambio de la batería

Vea la siguiente imagen para obtener información sobre cómo cambiar la batería.



#### ⚠ PRECAUCIÓN

- Nunca deseche las baterías en el fuego, ya que podrían explotar o generar gas tóxico.
- No intente desmontar las baterías, ya que es posible que se produzcan fugas de ácido sulfúrico que podrían causar lesiones.
- Si se desmonta la batería, se anula la garantía.

## **AVISO**

Deseche las baterías usadas en conformidad con la normativa local o las instrucciones del fabricante.

## **Preparativos para la instalación**

Con la AXIS T8415 Wireless Installation Tool, puede instalar dispositivos con ayuda de un teléfono móvil, una tablet o un ordenador portátil. Le recomendamos que descargue la aplicación AXIS Installer.

- Asegúrese de que la batería esté totalmente cargada antes de utilizarla. Consulte *Charge the Battery, on page 16*
- Si va a utilizar la aplicación AXIS Installer, asegúrese de que esta esté instalada en su dispositivo móvil antes de conectarse a la red WiFi AXIS T8415.
- Asegúrese de que la alimentación esté encendida antes de conectar el dispositivo a la unidad principal.

### **Nota**

Puede descargar la aplicación AXIS Installer desde App Store o desde Google Play.

## **Conexión a wifi de AXIS T8415**

### **Dispositivo de mano**

1. Active la wifi en el dispositivo manual.
2. Seleccione el SSID de la unidad.
3. Introduzca la contraseña.

### **Portátil**

1. Active la wifi en el ordenador.
2. Seleccione el SSID de la unidad.
3. Introduzca la contraseña.

### **Importante**

Asegúrese de que el ordenador esté configurado para obtener una dirección IP de un servidor DHCP.

### **Nota**

El SSID y la contraseña predeterminados están impresos en la etiqueta de la unidad principal.

## **Instalación de dispositivos – Aplicación AXIS Installer**

1. Descargue la aplicación AXIS Installer.
2. Instale la aplicación en su dispositivo móvil.
3. Conecte el dispositivo que desee instalar al puerto CAM (PoE) de la unidad principal.
4. Compruebe que el indicador PoE esté encendido.



5. Conecte la opción wifi de AXIS T8415. Vea *Connect to AXIS T8415 WiFi, on page 18*.
6. Configure el dispositivo en AXIS Installer.

#### Nota

El tiempo de arranque necesario para los dispositivos varía en cada producto. Puede pasar un rato antes de que el dispositivo aparezca en la lista de dispositivos de la aplicación.

#### Nota

Para obtener información sobre cómo utilizar la aplicación AXIS Installer, lea el manual del usuario de AXIS Installer en la aplicación o en [help.axis.com](http://help.axis.com).

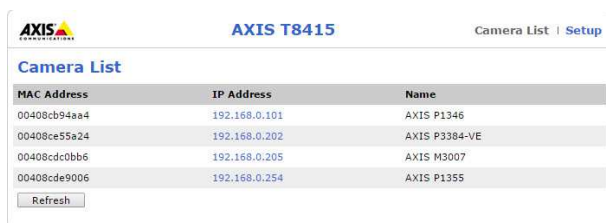
## Instalación del dispositivo – Portátil

Si utiliza un ordenador portátil, le recomendamos que vaya a [axis.com](http://axis.com) y descargue AXIS IP Utility para detectar e instalar dispositivos rápidamente.

1. Conecte el dispositivo al puerto CAM (PoE) de la unidad principal.
2. Compruebe que el indicador PoE esté encendido.
3. Conecte el portátil al puerto NET (no PoE) de la unidad principal.
4. Inicie AXIS IP Utility o vaya a la interfaz web y presione **Camera List**

#### Nota

Vea *AXIS T8415 Web Interface, on page 14* para obtener información sobre cómo acceder a la interfaz web de AXIS T8415.



MAC Address	IP Address	Name
00408cb94aa4	192.168.0.101	AXIS P1346
00408ce55a24	192.168.0.202	AXIS P3384-VE
00408cdc0bb6	192.168.0.205	AXIS M3007
00408cde9006	192.168.0.254	AXIS P1355

5. Seleccione un dispositivo haciendo clic en la dirección IP.
6. El dispositivo seleccionado se abrirá en un navegador.

#### Nota

- Para obtener más información sobre la configuración del dispositivo del producto de Axis correspondiente, vea el manual del usuario de los productos, disponible en [www.axis.com](http://www.axis.com)
- El tiempo de arranque necesario para los dispositivos varía en cada producto. Pueden pasar varios minutos antes de que el dispositivo aparezca en la lista de cámaras de la interfaz web.

## Localización de problemas

- No encuentro el SSID.
  - Compruebe que el indicador WLAN esté encendido.
  - Seleccione un canal diferente.

- Asegúrese de que el dispositivo manual sea compatible con el modo 5 GHz; en caso contrario, cambie al modo 2.4 GHz en la AXIS T8415.
- **No hay ningún dispositivo en la lista de dispositivos de la aplicación.**
  - Compruebe que el indicador WLAN esté encendido.
  - El tiempo de arranque necesario para los dispositivos varía en cada producto. Pueden pasar varios minutos antes de que aparezca el dispositivo.
  - Asegúrese de que Bonjour esté activado en el producto de Axis.
  - Asegúrese de que la dirección IP del dispositivo no se encuentre en el rango 10.252.252.X
- **No se puede iniciar sesión en la interfaz web de AXIS T8415 si se utiliza un cable de red y un ordenador.**
  - Asegúrese de que el cable de red esté conectado al puerto correcto (NET).
- **No hay ninguna cámara en Camera List (Lista de cámaras) (interfaz web) al utilizar un portátil para la instalación.**
  - Asegúrese de que los cables de red estén conectados a los puertos correctos:  
CAM: conectado a la cámara  
NET: conectado al ordenador portátil
  - Asegúrese de que el dispositivo y la interfaz AXIS T8415 estén en el mismo rango de direcciones IP.
  - Asegúrese de que se utilice AXIS T8415 como puerta de enlace predeterminada.
  - Asegúrese de que la dirección IP del dispositivo no se encuentre en el rango 10.252.252.X
- **Pocas imágenes por segundo en la imagen al utilizar la aplicación.**
  - Observe el indicador WLAN en su dispositivo móvil para comprobar la intensidad de la señal.
  - Asegúrese de que la red inalámbrica esté establecida en 5GHz.
  - Seleccione un canal diferente.

La siguiente lista se aplica si se intenta detectar una cámara de otro fabricante distinto de Axis compatible con Onvif.

- **El dispositivo está configurado en una dirección IP dinámica, pero no hay ningún servidor DHCP en la red.**
  - Active el servidor DHCP integrado en AXIS T8415.
- **El dispositivo está configurado en una dirección IP dinámica y hay un servidor DHCP en la red.**
  - Configure la AXIS T8415 para que utilice una dirección IP dinámica.
- **El dispositivo tiene una dirección IP fija.**
  - Configure la interfaz AXIS T8415 para que su dirección IP se encuentre en el mismo rango que el del dispositivo.

## Restablecimiento de los valores predeterminados de fábrica

### Importante

- Es preciso tener cuidado si se va a restablecer la configuración predeterminada de fábrica. Todos los valores se restablecerán a la configuración predeterminada de fábrica.
- Asegúrese de que el indicador WLAN esté encendido de forma continua antes de restablecer los valores de fábrica.

Para restablecer el producto a la configuración predeterminada de fábrica:

1. Mantenga pulsado el botón de restablecimiento durante diez segundos.
2. La AXIS T8415 se reiniciará con todos los valores restablecidos a los valores predeterminados de fábrica.

### Nota

Vea *Hardware overview, on page 12* para obtener información sobre cómo localizar el botón de restablecimiento.

## Información de garantía

ES

Para obtener más detalles sobre la garantía del producto Axis y la información relacionada con ella, visite [axis.com/warranty](http://axis.com/warranty).



## 安全情報

### 危険レベル

#### ▲ 危険

回避しない場合、死亡または重傷につながる危険な状態を示します。

#### ▲ 警告

回避しない場合、死亡または重傷につながるおそれのある危険な状態を示します。

#### ▲ 注意

回避しない場合、軽傷または中程度の怪我につながるおそれのある危険な状態を示します。

#### 注意

回避しない場合、器物の破損につながるおそれのある状態を示します。

### その他のメッセージレベル

#### 重要

製品を正しく機能させるために不可欠な重要情報を示します。

#### 注

製品を最大限に活用するために役立つ有用な情報を示します。

## 安全に関する指示

### 注意

- ・ 本製品は、お使いになる地域の法律や規制に準拠して使用してください。
- ・ Axisは、シールドネットワークケーブル (STP) の使用を推奨します。
- ・ 本製品は乾燥した換気のよい環境に保管してください。
- ・ 本製品に衝撃または強い圧力を加えないでください。
- ・ 本製品に振動を加えないでください。
- ・ 本製品を設置する際には、適切な工具のみを使用してください。電動工具を使用して過剰な力をかけると、製品が損傷することがあります。
- ・ 化学薬品、腐食剤、噴霧式クリーナーは使用しないでください。
- ・ 装置のクリーニングには、ぬるま湯で湿らせた柔らかい布を使用してください。
- ・ 窓ガラス用洗剤やアセトンなどの化学薬品を使用して装置をクリーニングしないでください。
- ・ 製品の技術仕様に準拠したアクセサリのみを使用してください。これらのアクセサリは、Axisまたはサードパーティから入手できます。Axisは、ご使用の製品と互換性のあるAxis給電ネットワークスイッチの使用を推奨します。
- ・ Axisが提供または推奨する交換部品のみを使用してください。
- ・ 製品を自分で修理しないでください。修理については、Axisサポートまたは販売代理店にお問い合わせください。

## 鉛酸バッテリー

本製品は、電源に鉛酸バッテリーを使用しています。

### 注意

- ・ このタイプのバッテリーは自己放電特性を有しているため、6か月以内に充電を行う必要があります。そのようにしないと、硫酸化により電池容量が永続的に失われる可能性があります。
- ・ 付属のチャージャーのみを使用してください。

### ▲ 注意

密閉容器内でのバッテリーの充電または放電は絶対に行わないでください。バッテリーの内部では混合ガスが生成されます。過充電やバッテリーのショートなど一定の状況が重なると、これらのガスが容器内に放出され、火花による着火時に爆発を引き起こす可能性があります。

### ▲ 注意

- ・ 爆発したり有害ガスを生成したりする恐れがあるため、バッテリーを絶対に火気のある場所に廃棄しないでください。
- ・ 負傷の原因となる硫酸が漏洩する可能性があるため、バッテリーの分解は行わないでください。

**注意**

使用済みバッテリーは、地域の規制またはバッテリーメーカーの指示に従って廃棄してください。

# インストールガイド

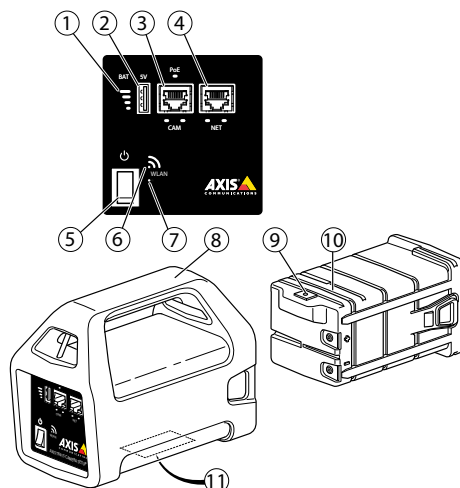
このインストールガイドでは、AXIS T8415 Wireless Installatin Toolをインストールする手順について説明します。このインストールツールでは、ノートPCおよびカメラのインストール用アプリの使用に対応しています。最高のパフォーマンスと経験を得るために、アプリを使用することをお勧めします。

製品の使用の詳細については、[www.axis.com](http://www.axis.com)で入手できるユーザーズマニュアルを参照してください

## パッケージの内容

- メインユニット
- チャージャー
- バッテリー
- ストラップ
- 印刷物
  - インストールガイド (本書)

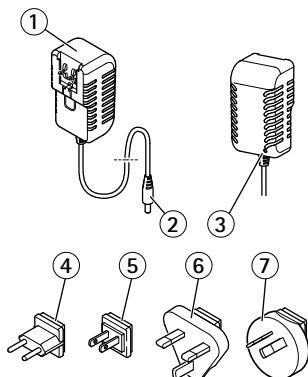
## ハードウェアの概要



- 1 バッテリーインジケーター
- 2 USB充電ポート (データ転送不可)
- 3 RJ45 PoE CAM(カメラ側)
- 4 RJ45 PoE非対応 NET(ネットワーク側)
- 5 オン/オフスイッチ
- 6 WLANインジケーター
- 7 リセットボタン



- 8 メインユニット
- 9 バッテリーチャージャーコネクタ
- 10 バッテリー
- 11 ラベル (ネットワーク設定)



- 1 チャージャー
- 2 チャージャー (オスコネクタ)
- 3 チャージャーLED
- 4 電源コードプラグ (EU)
- 5 電源コードプラグ (日本/米国)
- 6 電源コードプラグ (英国)
- 7 電源コードプラグ (オーストラリア)

JA

## ネットワーク コネクター

RJ45イーサネットコネクタ。

Power over Ethernet Plus (PoE+) 対応RJ45イーサネットコネクター

### 注意

本製品を使用する場所の地域条例、環境、電気的条件によっては、シールドネットワークケーブル (STP) の使用が推奨または必須になります。本製品をネットワークに接続して屋外または電氣的に厳しい環境に配線する場合は、用途に合ったネットワークケーブルを使用してください。ネットワーク装置がメーカーの指示どおりに設置されていることを確認します。法的要件については、電波に関する適合性 (EMC), on page を参照してください。

## USBコネクタ

AXIS T8415にはUSBコネクタ (データ転送不可) が搭載されています。このコネクタを使用して、互換性のある携帯型デバイス (5 V, 2.1 A) を充電することができます。

## 注

- 携帯型デバイスを充電する場合は、AXIS T8415の電源をオンにする必要があります。
- 携帯型デバイスの充電はユニットのバッテリーに影響します。バッテリーの残量が非常に低いレベルに到達すると、携帯型デバイスを充電しなくなります。バッテリーの状態については、バッテリーインジケーター ハードウェアの概要, on page 80を参照してください。充電を継続するには、新しく充電されたバッテリーと交換します。バッテリーを交換する, on page 85を参照してください。

## AXIS T8415 Webインターフェース

AXIS T8415 Webインターフェースでは、ネットワーク設定の編集とファームウェアのアップグレードが可能です。

ブラウザにユニットのIPアドレスを入力して、Webインターフェースにアクセスします。IPアドレスはメインユニットのラベルで確認することができます。

## 注

- 実際のスクリーンショットは、新しいファームウェアのリリースによって変更される場合があります。
- AXIS T8415には2つのIPアドレスがあります。1つはWiFi経由の接続用で、もう1つは有線ネットワーク経由の接続用です。

AXIS T8415		Camera List   Setup
Device	Device	
Network	Settings	
Maintenance	Name: <input type="text" value="AXIS T8415"/>	
	<input type="button" value="Save"/>	
	Information	
	Model:	T8415
	Software version:	V1.0.7
	Identification:	acc:cc:8e:22:00:07
	Battery level:	47%

- 名前: ユニットの名前は変更することができます。

## ネットワーク - Wifiインターフェース

, WPA password: , Mode:  2.4GHz  5GHz, Channel:  36  40  44. There is a 'Save' button at the bottom."/>

AXIS T8415		Camera List   Setup
Device	Wifi Interface	
Network	Interface Configuration	
Maintenance	Address: 10.252.252.1	
	Subnet mask: 255.255.255.0	
	Gateway: 10.252.252.1	
	SSID: <input type="text" value="AXIS_220007"/>	
	WPA password: <input type="text" value="password"/>	
	Mode: <input type="radio"/> 2.4GHz <input checked="" type="radio"/> 5GHz	
	Channel: <input type="radio"/> 36 <input checked="" type="radio"/> 40 <input type="radio"/> 44	
	<input type="button" value="Save"/>	

- Address (アドレス): ユニットのIPアドレスです。

- Subnet mask (サブネットマスク): ユニットのサブネットマスクです。
- Gateway (ゲートウェイ): ユニットのデフォルトゲートウェイです。
- SSID: ワイヤレスネットワークの名前は変更することができます。
- WPA password (WPA/パスワード): ワイヤレスネットワークのパスワードは変更することができます。
- Mode (モード): ワイヤレスネットワークの周波数モードを設定します。 2.4 GHzか5 GHzのどちらかを選択します。注: 5GHzは屋内専用です。屋外で使用する場合は2.4GHzを選択してください。
- チャンネルは国によって異なる場合があります。 5GHzは屋内のみでお使いください。屋外で作業する場合は2.4GHzのみお使いいただけます。

#### 注

- デフォルトのSSIDおよびパスワードは、メインユニットにあるラベルで確認することができます。 Webインターフェースで変更する場合、ラベルは無効になります。
- AXIS T8415は、2.4 GHzと5 GHzの両方をサポートしています。
- チャンネルは国によって異なる場合があります。

## ネットワーク - 有線ネットワーク

- External DHCP Server (外部DHCPサーバー): 外部DHCPサーバーの検出状況です。
- Onboard DHCP Server (オンボードDHCPサーバー):
  - On (オン): 内部DHCPサーバーをオンにします
  - Off (オフ): 内部DHCPサーバーをオフにします
- Ethernet Ports (イーサネットポート): イーサネットポートのステータスを表示します。

- Connected (接続): カメラ/ノートPCがイーサネットポートに接続されています
- Unconnected (未接続): カメラ/ノートPCがイーサネットポートに接続されていません
- Interface Configuration (インターフェースの設定): IPアドレスを手動で設定するか、DHCPサーバーからIPアドレスを取得します。
- Address (アドレス): ユニットのIPアドレスです。
- Subnet mask (サブネットマスク): ユニットのサブネットマスクです。
- Gateway (ゲートウェイ): ユニットのデフォルトゲートウェイです。

## メンテナンス



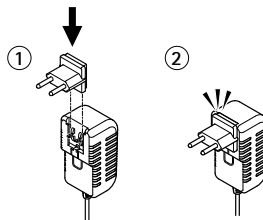
AXIS T8415のファームウェアをアップグレードします。

### 注

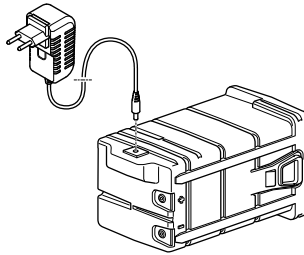
最新のファームウェアは[www.axis.com](http://www.axis.com)で入手できます

## バッテリーを充電する

各国ごとの電源コードプラグをチャージャーに取り付けます。下の図を参照してください。



バッテリーチャージャーをバッテリーに取り付け(下の図を参照)、コンセントに接続します。



LED	挙動
赤	バッテリー充電中
緑	バッテリー充電完了

**注**

チャージャーLEDは、チャージャーの正面にあります (ハードウェアの概要, on page 80を参照)

**注意**

- このタイプのバッテリーは自己放電特性を有しているため、6か月以内に充電を行う必要があります。そのようにしないと、硫酸化により電池容量が永続的に失われる可能性があります。
- 付属のチャージャーのみを使用してください。

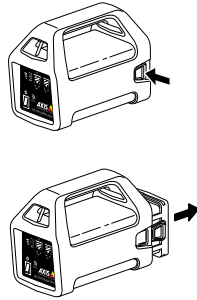
JA

**▲ 注意**

密閉容器内でのバッテリーの充電または放電は絶対に行わないでください。バッテリーの内部では混合ガスが生成されます。過充電やバッテリーのショートなど一定の状況が重なると、これらのガスが容器内に放出され、火花による着火時に爆発を引き起こす可能性があります。

## バッテリーを交換する

バッテリーの交換については、下の図を参照してください。



### ▲ 注意

- 爆発したり有害ガスを生成したりする恐れがあるため、バッテリーを絶対に火気のある場所に廃棄しないでください。
- 負傷の原因となる硫酸が漏洩する可能性があるため、バッテリーの分解は行わないでください。
- バッテリーを分解すると、保証の対象外となります。

### 注意

使用済みバッテリーは、地域の規制またはバッテリーメーカーの指示に従って廃棄してください。

## インストールの準備

AXIS T8415 Wireless Installation Toolを利用することで、携帯電話、タブレット、ノートPCでデバイスの設置を実行することができます。AXIS Installerアプリをダウンロードすることが勧められます。

- 使用前にバッテリーが完全に充電されていることを確認します。バッテリーを充電する、on page 84を参照してください。
- AXIS Installerアプリを使用する場合は、AXIS T8415 WiFiネットワークに接続する前に、このアプリがモバイル装置にインストールされていることを確認してください。
- 装置をメインユニットに接続する前に、電源がオンになっていることを確認します。

### 注

AXIS Installerアプリは、App StoreまたはGoogle Playからダウンロードすることができます。

## AXIS T8415 WiFiに接続する

### 携帯型デバイス

1. 携帯型デバイスのWiFiをオンにします。
2. ユニットのSSIDを選択します。
3. パスワードを入力します

### ノートPC

1. コンピューターのWiFiをオンにします。
2. ユニットのSSIDを選択します。
3. パスワードを入力します

#### 重要

コンピューターがDHCPからIPアドレスを取得するよう設定されていることを確認します。

#### 注

デフォルトのSSIDおよびパスワードは、メインユニットのラベルに印刷されています。

## 装置の設置 - AXIS Installerアプリ

JA

1. AXIS Installerアプリをダウンロードします。
2. モバイル装置にアプリをインストールします。
3. 設置する装置をメインユニットのCAMポート (PoE) に接続します。
4. PoEインジケーターが点灯していることを確認します。
5. AXIS T8415 WiFiに接続します ( *AXIS T8415 WiFiに接続する, on page 87*を参照)
6. AXIS Installerで装置を設定します。

#### 注

装置の起動時間は製品によって異なります。アプリの装置リストに装置が表示されるまでにしばらく時間がかかる場合があります。

#### 注

AXIS Installerアプリの使用方法については、アプリまたは[help.axis.com](http://help.axis.com)でAXIS Installerユーザーマニュアルを参照してください。

## 装置の設置 - ノートPC

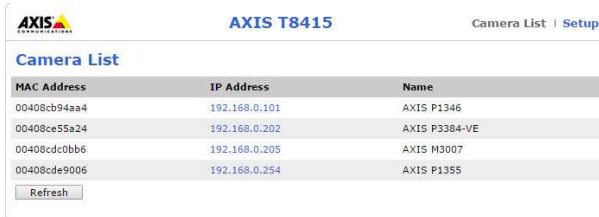
ノートPCの場合は、[axis.com](http://axis.com)にアクセスして、AXIS IP Utilityをダウンロードすることが勧められます。そうすれば、デバイスを迅速に検出して、設置することができます。

1. 装置をメインユニットのCAMポート (PoE) に接続します。
2. PoEインジケーターが点灯していることを確認します。

3. ノートPCをメインユニットの NET ポート (PoE非対応) に接続します。
4. AXIS IP Utilityを起動するか、Webインターフェースに移動して、[カメラリスト] を押します。

**注**

AXIS T8415 Webインターフェースにアクセスする方法については、AXIS T8415 Webインターフェース, on page 82を参照してください



MAC Address	IP Address	Name
00408cb94aa4	192.168.0.101	AXIS P1346
00408ce55a24	192.168.0.202	AXIS P3384-VE
00408cdc0bb6	192.168.0.205	AXIS M3007
00408cde9006	192.168.0.254	AXIS P1355

5. IPアドレスをクリックして、装置を選択します。
6. 選択した装置がブラウザで開きます。

**注**

- 各Axis製品の装置設定の詳細については、[www.axis.com](http://www.axis.com)に記載されている製品のユーザーマニュアルを参照してください
- 装置の起動時間は製品によって異なります。装置がWebインターフェースのカメラリストに表示されるまでに数分かかる場合があります。

## トラブルシューティング

- **SSIDが見つかりません。**
  - WLANインジケーターが点灯していることを確認します。
  - 別のチャンネルを選択します。
  - 携帯型デバイスが5 GHzモードに対応していることを確認します。対応していない場合は、AXIS T8415で2.4 GHzモードに切り替えます。
- **アプリの装置リストに装置が表示されていません**
  - WLANインジケーターが点灯していることを確認します。
  - 装置の起動時間は製品によって異なります。装置が表示されるまでに数分かかる場合があります。
  - 本製品でBonjourが有効になっていることを確認します。
  - 装置のIPアドレスが10.252.252.Xの範囲外であることを確認します。
- **ネットワークケーブルとPCを使用している場合は、AXIS T8415 Webインターフェースにログインすることはできません。**
  - ネットワークケーブルが適切なポート (NET) に接続されていることを確認します。



- ・ インストールにノートPCを使用する際、カメラリスト (Webインターフェース) にカメラが表示されません。
  - ネットワークケーブルが適切なポートに接続されていることを確認します。  
CAM：カメラに接続  
NET：ノートPCに接続
  - 装置とAXIS T8415のIPアドレス範囲が同じになっていることを確認します。
  - AXIS T8415がデフォルトゲートウェイとして使用されていることを確認します。
  - 装置のIPアドレスが10.252.252.Xの範囲外であることを確認します。
- ・ アプリを使用すると、画像のフレーム/秒が低下します。
  - モバイル装置のWLANインジケータで信号強度を確認します。
  - ワイヤレスネットワークが5 GHzに設定されていることを確認します。
  - 別のチャンネルを選択します。

以下のリストは、ONVIF対応の社外製カメラを発見する際に適用されます。

- ・ 装置には動的IPアドレスが設定されていますが、ネットワークにDHCPサーバーが存在しません。
  - AXIS T8415でオンボードDHCPサーバーをアクティブにします。
- ・ 装置には動的IPアドレスが設定されており、ネットワークにDHCPサーバーが存在します。
  - AXIS T8415で動的IPアドレスを設定します。
- ・ 装置には固定IPアドレスが設定されています。
  - AXIS T8415のIPアドレスがデバイスと同じ範囲になるように設定します。

JA

## 工場出荷時の設定にリセットする

### 重要

- ・ 工場出荷時の設定へのリセットは慎重に行ってください。工場出荷時の設定へのリセットを行うと、すべての設定が工場出荷時の値にリセットされます。
- ・ 工場出荷時設定へのリセットを実行する前に、WLANインジケータが継続的に点灯していることを確認します。

本製品を工場出荷時の設定にリセットするには、以下の手順に従います。

1. リセットボタンを10秒間押し続けます。
2. AXIS T8415が再起動し、すべての値が工場出荷時の設定にリセットされます。

### 注

リセットボタンの位置については、ハードウェアの概要, on page 80を参照してください。

## 保証情報

Axisの製品保証と関連情報については、[axis.com/warranty](http://axis.com/warranty)を参照してください。



# 安全信息

## 危险等级

### **▲ 危险**

表示如果不避免则会导致死亡或严重伤害的危险情况。

### **▲ 警告**

表示如果不避免则可能导致死亡或严重伤害的危险情况。

### **▲ 警示**

表示如果不避免则可能导致轻微或中度伤害的危险情况。

### **注意**

表示如果不避免则可能导致财产损失的情况。

## 其他消息等级

### **重要**

表示产品正常工作所必需的重要信息。

### **注意**

表示有助于充分利用产品的有用信息。

# 安全说明

## 注意

- 使用安讯士产品时应遵守当地法律和法规。
- 安讯士推荐使用屏蔽网络电缆 (STP)。
- 在干燥通风的环境中存放安讯士产品。
- 避免将安讯士产品暴露在冲击或重压下。
- 避免将安讯士产品暴露在振动中。
- 安装安讯士产品时，仅使用适用的工具。使用电动工具过度施力可能导致产品损坏。
- 请勿使用化学品、腐蚀剂或气雾剂。
- 使用蘸有温水的软布清洁设备。
- 请勿使用窗户清洁剂或丙酮等化学品来清洁设备。
- 仅使用符合产品技术规格的附件。这些附件可由安讯士或第三方提供。安讯士推荐使用与产品兼容的安讯士电源设备。
- 仅使用安讯士提供或推荐的备件。
- 请勿尝试自行维修产品。有关服务事项，请联系安讯士支持部门或安讯士经销商。

## 铅酸电池

本安讯士产品使用铅酸电池作为电源。

## 注意

- 由于这种电池具有自放电特征，因此这些电池需要在存放后 6 个月内进行充电，否则硫酸盐化作用可能使电池永久失去容量。
- 仅使用随附的充电器。

## ⚠ 警示

切勿在密封的外壳内对电池进行充电或放电。电池内部会产生混合气体。在特定情况下，如电池极度过度充电或短路，这些气体可能泄漏到外壳内，从而引发火花致爆炸的潜在风险。

## ⚠ 警示

- 切勿将电池丢入燃火内，因为这会使电池爆炸或产生有毒气体。
- 切勿拆卸电池，因为这会导致硫酸泄漏，从而造成伤害。

## 注意

请按照当地法规或电池制造商的说明来处理废旧电池。

# 安装指南

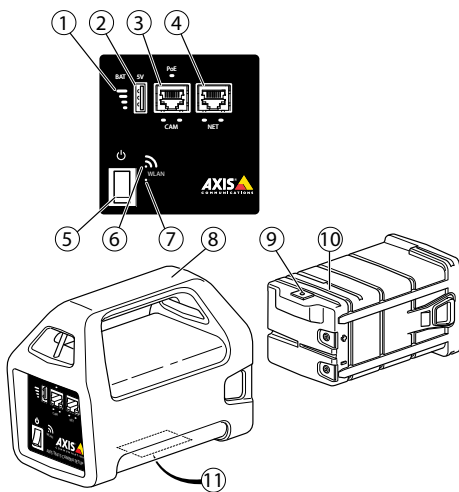
本安装指南提供了 AXIS T8415 无线安装工具的说明。本安装工具支持使用笔记本电脑和应用安装摄像机。为实现优异安装，推荐使用本应用。

有关使用该产品的其他信息，请参见用户手册，网址：[www.axis.com](http://www.axis.com)

## 包装内容

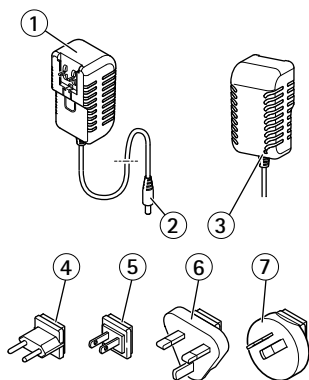
- 主单元
- 充电器
- 电池
- 带
- 印刷资料
  - 安装指南 (本文档)

## 硬件概览



- 1 电池指示灯
- 2 USB 充电端口 (非数据)
- 3 RJ45 PoE (CAM)
- 4 RJ45 非 PoE (NET)
- 5 通断开关
- 6 WLAN 指示灯
- 7 重置按钮
- 8 主单元
- 9 电池充电器接口
- 10 电池

## 11 标签 (网络设置)



- 1 充电器
- 2 充电器公头接口
- 3 LED 充电器指示灯
- 4 电源线插头 (欧洲)
- 5 电源线插头 (美国)
- 6 电源线插头 (英国)
- 7 电源线插头 (澳大利亚)

### 网络连接器

RJ45 以太网连接器。

采用以太网供电 增强版 (PoE+) 的 RJ45 以太网连接器。

#### 注意

由于当地法规或产品使用场所的环境和电气条件，可能适合或需要使用屏蔽网络电缆 (STP)。将产品连接到网络的电缆，以及在室外或恶劣电气环境中布放的不同电缆，都应用于其特定用途。确保根据制造商的说明安装网络设备。有关法规要求的信息，请参见 [电磁兼容性 \(EMC\)](#), *on page* 。

### USB 接口

AXIS T8415 配有 USB 接口 (非数据)。该接口可用于对不同兼容的手持设备 (5V, 2.1A) 进行充电。

#### 注意

- 在对手持设备充电时，AXIS T8415 必须开启。
- 对手持设备充电会影响单元电池。在达到临界低电平时，它会停止对手持设备充电，请参见 [硬件概览](#), *on page* 93 电池指示灯了解电池状态。为继续充电，请使用新充电的电池替换已有电池，参见 [更换电池](#), *on page* 98。

### AXIS T8415 Web 界面

在 AXIS T8415 Web 界面中，可以编辑网络设置和升级固件。

在浏览器中键入单元 IP 地址，访问 Web 界面。IP 地址位于主单元的标签上。

#### 注意

- 对于新固件版本，实际屏幕截图可能变化。
- AXIS T8415 具有两个 IP 地址。一个用于通过 WiFi 连接，一个用于通过有线网络连接。

- 名称：单元名称可以修改。

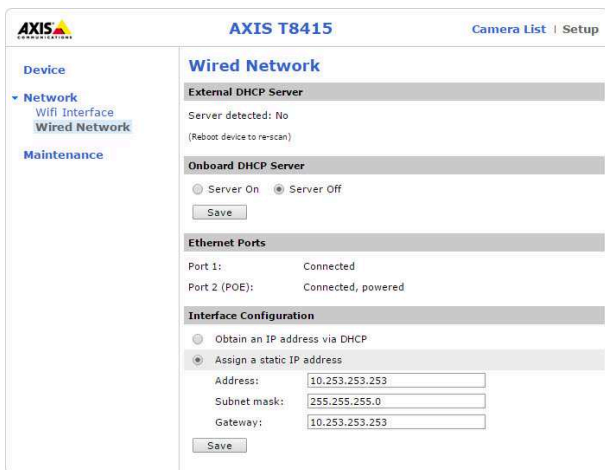
## 网络– Wifi 界面

- 地址：单元的 IP 地址。
- 子网掩码：单元的子网掩码。
- 网关：单元的默认网关。
- SSID：无线网络名称可以修改。
- WPA 密码：无线网络密码可以修改。
- 模式：设置无线网络的频率模式。选择 2.4GHz 或 5GHz。
- 通道：设置无线网络的通道。

#### 注意

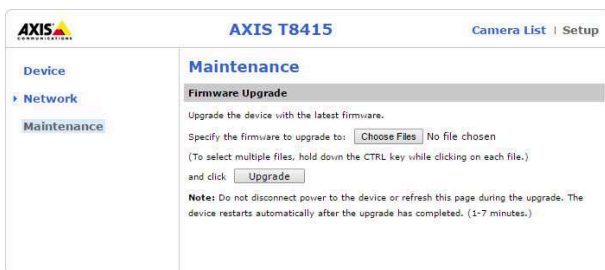
- 默认 SSID 和密码位于主单元的标签上。如果在 Web 界面中进行更改，标签不再有效。
- AXIS T8415 支持 2.4GHz 和 5GHz。
- 通道可能因国家和地区而不同。

## 网络 – 有线网络



- 外部 DHCP 服务器：外部 DHCP 服务器检测。
- 板载 DHCP 服务器：
  - 开启：内部 DHCP 服务器开启
  - 关闭：内部 DHCP 服务器关闭
- 以太网端口：以太网端口状态：
  - 已连接：摄像机/笔记本电脑已连接至以太网端口
  - 未连接：摄像机/笔记本电脑未连接至以太网端口
- 界面配置：手动设置 IP 地址，或从 DHCP 服务器中获取 IP 地址。
- 地址：单元的 IP 地址。
- 子网掩码：单元的子网掩码。
- 网关：单元的默认网关。

## 维护



升级 AXIS T8415 的固件。

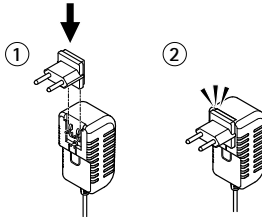


**注意**

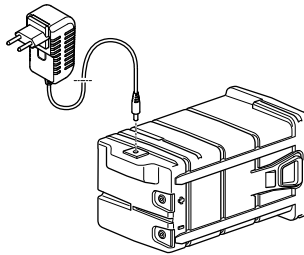
最新固件发布于 [www.axis.com](http://www.axis.com)

## 为电池充电

将特定国家/地区的电源线插头连接至充电器。见下图。



将电池充电器连接至电池（见下图）和电源插座。



ZH

LED	行为
红色	电池充电中
绿色	电池充满电

**注意**

LED 充电器指示灯位于充电器正面，参见 [硬件概览](#), on page 93

**注意**

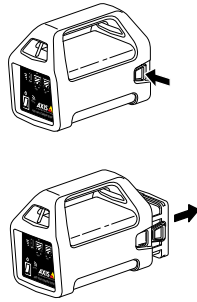
- 由于这种电池具有自放电特征，因此这些电池需要在存放后 6 个月内进行充电，否则硫酸盐化作用可能使电池永久失去容量。
- 仅使用随附的充电器。

**⚠ 警示**

切勿在密封的外壳内对电池进行充电或放电。电池内部会产生混合气体。在特定情况下，如电池极度过度充电或短路，这些气体可能泄漏到外壳内，从而引发火花致爆炸的潜在风险。

## 更换电池

参见下图了解如何更换电池。



### ⚠ 警示

- 切勿将电池丢入燃火内，因为这会使电池爆炸或产生有毒气体。
- 切勿拆卸电池，因为这会导致硫酸泄漏，从而造成伤害。
- 如果电池被拆卸，保修无效。

### 注意

请按照当地法规或电池制造商的说明来处理废旧电池。

## 安装准备

借助 AXIS T8415 Wireless Installation Tool，可使用手机、平板电脑或笔记本电脑进行设备安装。建议下载 AXIS Installer 应用程序。

- 使用前，请务必保证电池满电。参见 *为电池充电*, on page 97
- 如要使用 AXIS Installer 应用程序，请保证在连接至 AXIS T8415 WiFi 网络之前，此应用程序已安装到移动设备上。
- 将设备连接到主机之前，请保证电源已打开。

### 注意

可从 App Store 或 Google Play 下载 AXIS Installer 应用程序。

## 连接至 AXIS T8415 WiFi

### 手持设备

1. 打开手持设备上的 WiFi
2. 选择单元的 SSID。

3. 输入密码

## 笔记本电脑

1. 打开电脑上的 WiFi。
2. 选择单元的 SSID。
3. 输入密码

### 重要

确保电脑经配置可从 DHCP 服务器获取 IP 地址。

### 注意

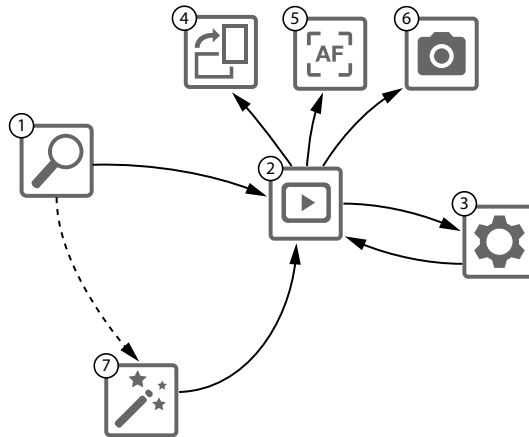
默认 SSID 和密码打印在主单元的标签上。

## 摄像机安装 – 安讯士无线安装工具应用

1. 将摄像机连接至主单元上的 CAM 端口 (PoE)。
2. 检查确认 PoE 指示灯已亮起。
3. 连接至 AXIS T8415 WiFi, 参见 [连接至 AXIS T8415 WiFi, on page 98](#)
4. 启动应用安讯士无线安装工具

### 注意

摄像机的启动时间因产品而异。摄像机显示在该应用的摄像机列表中可能需要花费几分钟时间。



- 1 摄像机列表
- 2 实时视图
- 3 设置
- 4 旋转图像
- 5 自动对焦
- 6 快照
- 7 向导

## 配置摄像机

选择 **1 摄像机列表** 中的摄像机。若需要，键入密码以继续。

在 **2 实时视图** 中，通过按住屏幕可以访问操作按钮（**4、5 和 6**）。

选择 **4 旋转图像**，旋转图像。

选择 **5 自动对焦**，搜索理想的对焦点。

**注意**

- 自动对焦仅用于支持该功能的摄像机。
- 自动对焦可能需要几分钟完成，在这一时间内，摄像机需要保持静止。

选择 **6 快照**，拍摄视频图像的快照。

选择 **3 设置**，编辑产品的网络设置。

编号 **7 向导**。该向导会在安讯士产品首次被访问时或出厂默认设置重置后启动。

**注意**

有关向导中设置的信息，请参见产品用户手册，网址：[www.axis.com](http://www.axis.com)

**注意**

有关各安讯士产品摄像机设置的更多信息，请参见产品用户手册，网址：[www.axis.com](http://www.axis.com)

## 设备安装 – 笔记本电脑

使用笔记本电脑时，建议您前往 [axis.com](http://axis.com)，并下载 AXIS IP Utility，以便快速发现和安装设备。

1. 将设备连接到主机上的 CAM 端口 (PoE)。
2. 确认 PoE 指示灯已亮起。
3. 将笔记本电脑连接到主机上的 NET 端口（非 PoE）。
4. 启动 AXIS IP Utility，或转到网页界面，并单击 **Camera List（摄像机列表）**

**注意**

有关如何访问 AXIS T8415 网页界面，请参阅 *AXIS T8415 Web 界面*，on page 94

MAC Address	IP Address	Name
00408cb94aa4	192.168.0.101	AXIS P1346
00408ce55a24	192.168.0.202	AXIS P3384-VE
00408cdc0bb6	192.168.0.205	AXIS M3007
00408cde9006	192.168.0.254	AXIS P1355

5. 单击 IP 地址以选择设备。
6. 现在选定设备将在浏览器中打开。

## 注意

- 如需详细了解相应安讯士产品的设备设置，请参阅 [www.axis.com](http://www.axis.com) 上的产品用户手册。
- 不同产品的设备启动时间各不相同。可能需要几分钟的时间才能在网页界面的摄像机列表中看到此设备。

## 故障排除

- **找不到 SSID。**
  - 确认 WLAN 指示灯已亮起。
  - 选择别的通道。
  - 保证手持设备支持 5GHz 模式，如果不支持，请切换到 AXIS T8415 上的 2.4GHz 模式。
- **应用程序设备列表中没有设备**
  - 确认 WLAN 指示灯已亮起。
  - 不同产品的设备启动时间各不相同。可能需要几分钟才能看到此设备。
  - 确保在安讯士产品上激活了 Bonjour。
  - 确保设备的 IP 地址不在 10.252.252.X 范围内。
- **使用网络电缆和 PC 时，无法登录 AXIS T8415 网页界面。**
  - 确保网络电缆连接至正确端口 (NET)。
- **使用笔记本电脑进行安装时，Camera List (摄像机列表) (网页界面) 中没有摄像机。**
  - 确保网络电缆连接至正确端口：  
**CAM:** 连接至摄像机  
**.NET:** 连接到笔记本电脑
  - 确保设备和 AXIS T8415 在同一 IP 地址范围内。
  - 确保将 AXIS T8415 用作默认网关。
  - 确保设备的 IP 地址不在 10.252.252.X 范围内。
- **使用应用程序时，图像的 fps 偏低。**
  - 检查移动设备上的 WLAN 指示灯，查看信号强度。
  - 确保无线网络设置为 5GHz
  - 选择别的通道。

以下列表适用于尝试发现支持 Onvif 的非安讯士摄像机。

- **设备已设置为动态 IP 地址，但网络上没有 DHCP 服务器。**
  - 启动 AXIS T8415 上的机载 DHCP 服务器。
- **设备已设置为动态 IP 地址，且网络上有 DHCP 服务器。**
  - 配置 AXIS T8415 以用于动态 IP 地址。

- 设备有一个固定 IP 地址。
  - 配置 AXIS T8415，使其 IP 地址所在的范围与设备相同。

## 恢复出厂默认值

### 重要

- 重置为出厂默认设置时应谨慎。恢复出厂默认值会将全部设置重置为出厂默认值。
- 恢复出厂设置前，请保证 WLAN 指示灯常亮。

将产品重置为出厂默认设置：

1. 按住重置按钮10 秒。
2. AXIS T8415 现在重新启动，所有值重置为出厂默认值。

### 注意

有关重置按钮的位置，请参见 *硬件概览*, on page 93。

## 质保信息

有关安讯士产品质保的信息及相关信息，请转到 [axis.com/warranty](http://axis.com/warranty)。





2149053

2025-01 (M8.4)

© 2015 – 2025 Axis Communications AB