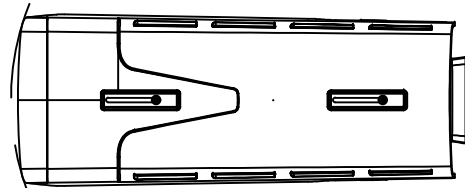
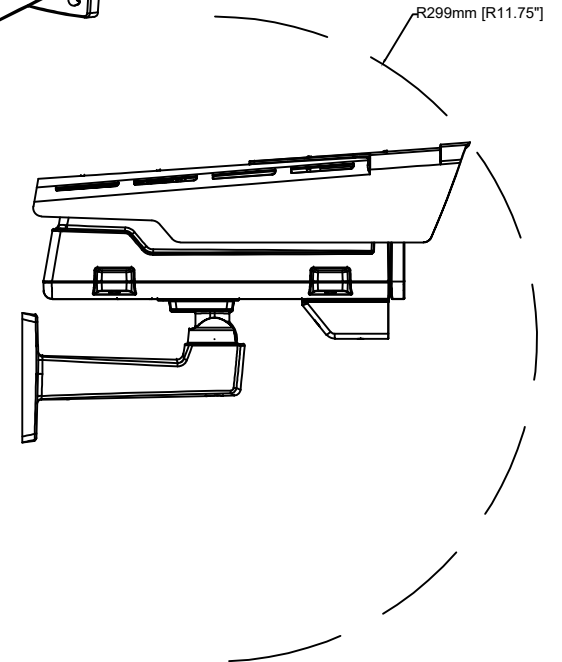
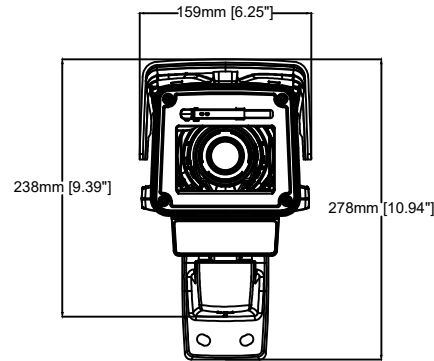
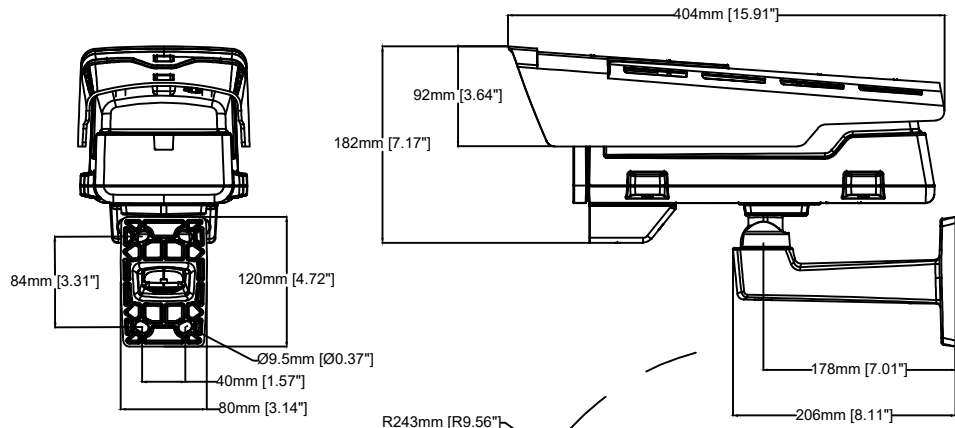
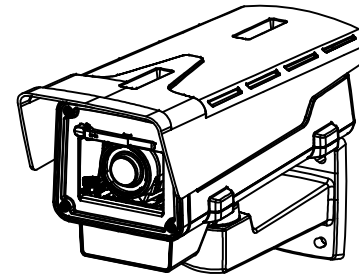


10mm [0.40"]



AXIS Q1656-LE Box Camera

Revision	v.01	Revision date	2021-06-24
Paper size	A4	Release date	2021-06-24
Created by	JSK	Scale	1:7