

AXIS P38 Panoramic Camera Series

AXIS P3818-PVE Panoramic Camera

AXIS P3827-PVE Panoramic Camera

Repainting instructions

AXIS P38 Panoramic Camera Series

Impact on warranty

Impact on warranty

This product is approved for repaint by Axis, provided that you follow the instructions in this document and at axis.com/warranty-implication-when-repainting.

Risks with repainting

There are several risks when disassembling or assembling an Axis product. There is always a certain yield loss during assembly. Training of operators and the use of correct tools mediates some of the problems but they can never be fully avoided. Some of the risks include:

ESD Damage – Always handle the product in an ESD safe environment. Even if precautions are taken there is always a risk of ESD damage. The damage can remain undetected and cause problems during the lifetime of the equipment.

Dust contamination – Opening a camera may expose the lens and sensor to dust or paint. Dust will affect the optical performance. Lenses need to be disassembled in a dust-free environment, preferably a cleanroom.

Paint overspray – Masking the different components of the equipment is critical. Failure to mask sensitive areas can cause problems with assembling the equipment. Any areas that are not painted at factory or have a different surface treatment than the rest of the parts (threads, ground and electrical contact surfaces) must also be masked to ensure function.

AXIS P38 Panoramic Camera Series

Repaint the product

Repaint the product

Preparations

- If applicable, disassemble the device according to the instructions in this document.
- Clean all parts that will be repainted thoroughly to remove grease, dust, or oil.
- To ensure reassembly and functionality of the product, mask any openings (for example for screws, LED indicators, or microphones) before you paint.

Pretreatment of parts

Depending on the part material and type of paint applied at factory, different pretreatment should be done for the new paint to adhere as well as possible. Clean the parts properly to remove oil, grease and dust.

Powder coated parts – Use a primer. Alternatively, remove the original powder coating down to the base material, using fine sandpaper, and clean the parts before painting.

Anodised and chromated parts – Use a primer.

Uncoated stainless steel – No special pretreatment is needed, but make sure that the surface is clean before painting.

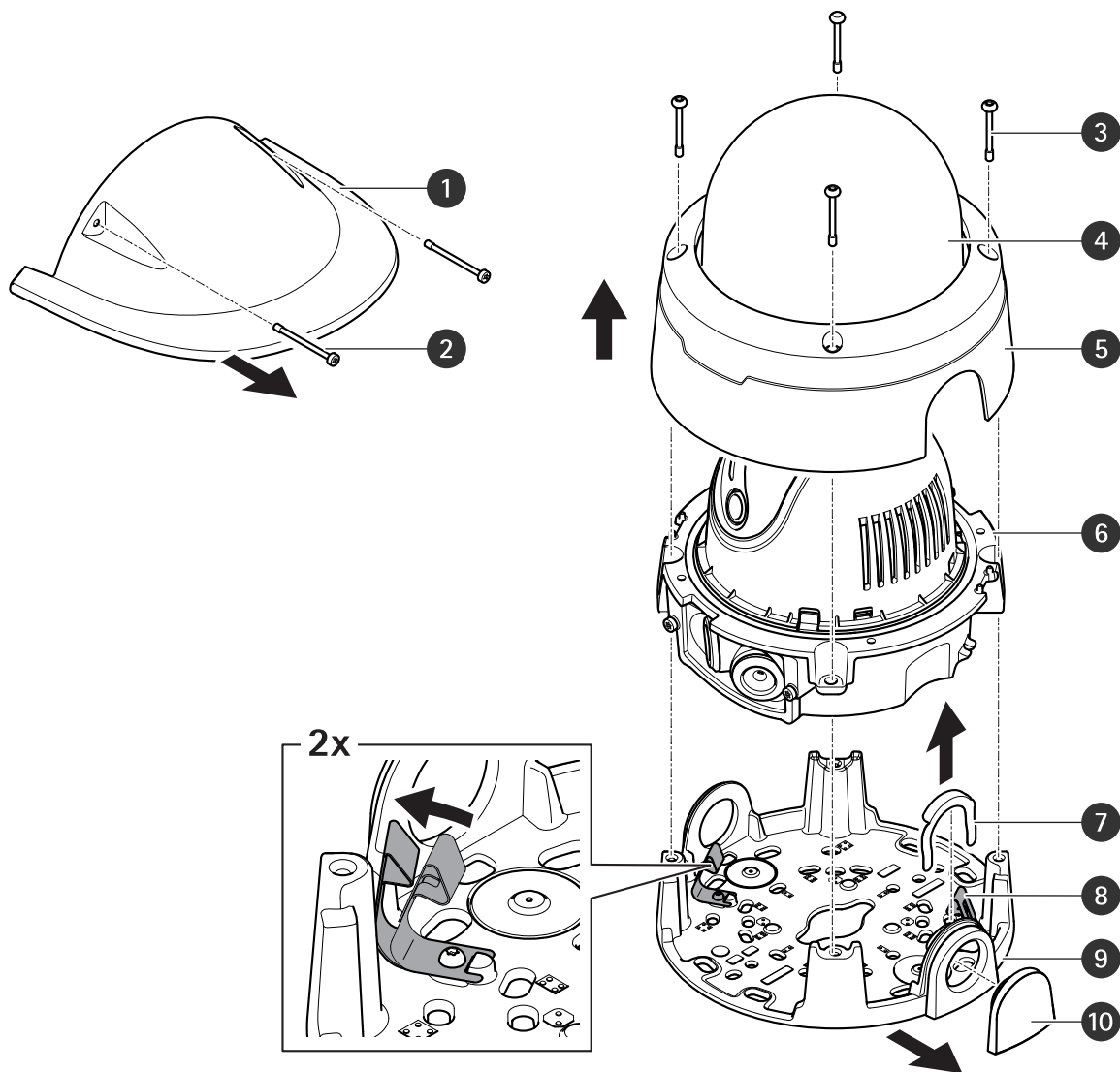
Plastic – Use a primer.

The material used in the dome cover is powder-coated aluminum. The material used in the weathershield is ASA Luran S 797SEUV.

AXIS P38 Panoramic Camera Series

Repaint the product

Disassembly



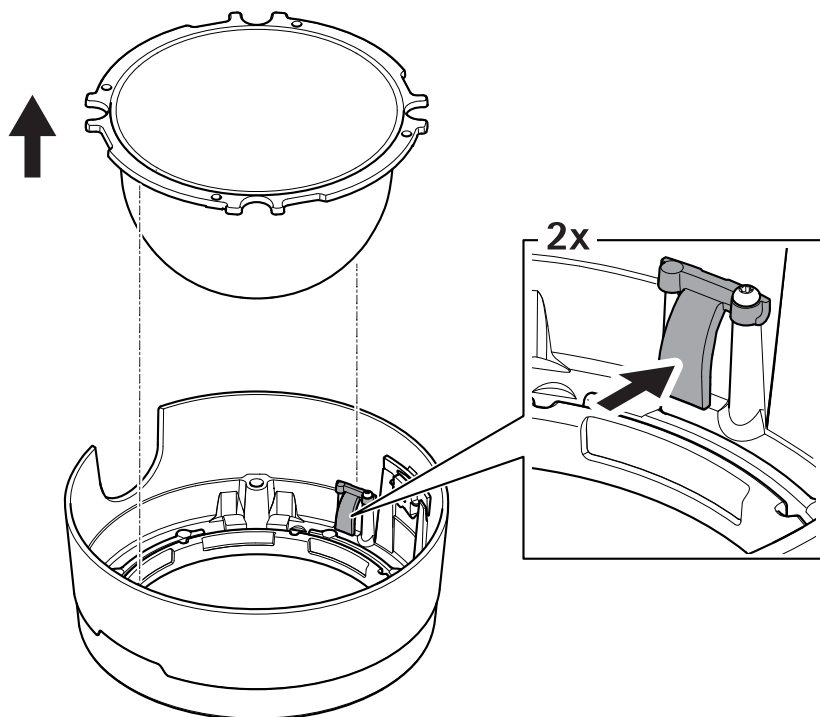
- 1 Weathershield
- 2 Screws (2x, TR20)
- 3 Screws (4x, TR20)
- 4 Dome
- 5 Dome cover
- 6 Camera unit

AXIS P38 Panoramic Camera Series

Repaint the product

- 7 *Spring clip*
- 8 *Spring holder*
- 9 *Mounting bracket*
- 10 *Lid*

1. Remove the weathershield, if it's already attached to the dome cover.
2. Remove the dome.
3. Remove the camera unit by pressing the two spring holders.
4. Remove the spring clip and the lid.



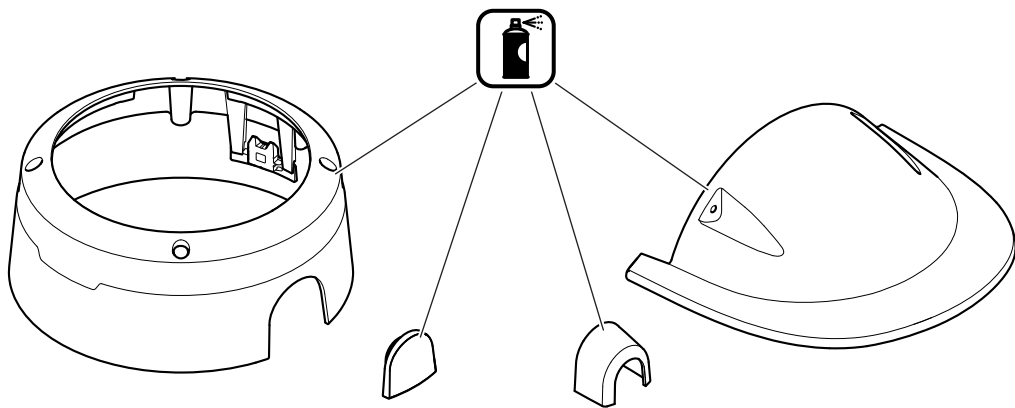
5. Remove the dome from the dome cover by pressing the two spring holders.

Repainting

1. Make sure all necessary preparations of the parts to be painted have been made, see *Preparations on page 3*.

AXIS P38 Panoramic Camera Series

Repaint the product



2. Apply a thin and even layer of spray paint according to the instructions of the paint manufacturer.
3. Let the paint dry.
4. To get a better coverage and clearer color, apply a second layer of spray paint.
5. When the paint is dry, remove the masking and reassemble the product.

Reassembly

1. Reassemble the dome and the dome cover.
2. Reattach the spring clip and the lid.
3. Reattach the camera unit.
4. Reassemble the dome and the weathershield and tighten the screws (torque 1.0 N m, 0.7 lb ft).

