

AXIS Q7411 Video Encoder

Installation Guide

English

EN

France: Français

FR

Deutschland: Deutsch

DE

Italia: Italiano

IT

España: Español

ES

日本: 日本語

JA

中文: 简体中文

ZH

Read this first

Read through this Installation Guide carefully before installing the product. Keep the Installation Guide for future reference.

Legal considerations

Video and audio surveillance can be regulated by laws that vary from country to country. Check the laws in your local region before using this product for surveillance purposes.

This product includes the following licences:

- one (1) AAC decoder license

To purchase further licenses, contact your reseller.

Liability

Every care has been taken in the preparation of this document. Please inform your local Axis office of any inaccuracies or omissions. Axis Communications AB cannot be held responsible for any technical or typographical errors and reserves the right to make changes to the product and manuals without prior notice. Axis Communications AB makes no warranty of any kind with regard to the material contained within this document, including, but not limited to, the implied warranties of merchantability and fitness for a particular purpose. Axis Communications AB shall not be liable nor responsible for incidental or consequential damages in connection with the furnishing, performance or use of this material. This product is only to be used for its intended purpose.

Intellectual property rights

Axis AB has intellectual property rights relating to technology embodied in the product described in this document. In particular, and without limitation, these intellectual property rights may include one or more of the patents listed at axis.com/patent and one or more additional patents or pending patent applications in the US and other countries.

This product contains licensed third-party software. See the menu item "About" in the product's user interface for more information.

This product contains source code copyright Apple Computer, Inc., under the terms of Apple Public Source License 2.0 (see opensource.apple.com/apsl/). The source code is available from developer.apple.com/bonjour/

Equipment modifications

This equipment must be installed and used in strict accordance with the instructions given in the user documentation. This equipment contains no user-serviceable components. Unauthorized equipment changes or modifications will invalidate all applicable regulatory certifications and approvals.

Trademark acknowledgements

AXIS COMMUNICATIONS, AXIS and VAPIX are registered trademarks or trademark applications of Axis AB in various jurisdictions. All other company names and products are trademarks or registered trademarks of their respective companies.

Apple, Apache, Bonjour, Ethernet, Internet Explorer, Linux, Microsoft, Mozilla, Real, SMPTE, QuickTime, UNIX, Windows, and WWW are registered trademarks of the respective holders. Java and all Java-based trademarks and logos are trademarks or registered

trademarks of Oracle and/or its affiliates. The UPnP Word Mark and UPnP Logo are trademarks of Open Connectivity Foundation, Inc. in the United States or other countries.



microSD, microSDHC, and microSDXC Logos are trademarks of SD-3C LLC. microSD, microSDHC, microSDXC are trademarks or registered trademarks of SD-3C, LLC in the United States, other countries or both.

Regulatory information

Europe



This product complies with the applicable CE marking directives and harmonized standards:

- Electromagnetic Compatibility (EMC) Directive 2014/30/EU. See *Electromagnetic compatibility (EMC) on page 4.*
- Low Voltage Directive (LVD) 2014/35/EU. See *Safety on page 5.*
- Restriction of Hazardous Substances (RoHS) Directive 2011/65/EU, including any amendments, updates or replacements. See *Disposal and recycling on page 5.*

A copy of the original declaration of conformity may be obtained from Axis Communications AB. See *Contact information on page 5.*

Electromagnetic compatibility (EMC)

This equipment has been designed and tested to fulfill applicable standards for:

- Radio frequency emission when installed according to the instructions and used in its intended environment.
- Immunity to electrical and electromagnetic phenomena when installed according to the instructions and used in its intended environment.

USA

This device complies with part 15 of the FCC Rules. Operation is subject to the following two conditions:

1. This device may not cause harmful interference, and
2. this device must accept any interference received, including interference that may cause undesired operation.

This equipment has been tested using a shielded network cable (STP) and found to comply with the limits for a Class B digital device, pursuant to part 15 of the FCC Rules. These limits are designed to provide reasonable protection against harmful interference in a residential installation. This equipment generates, uses and can radiate radio frequency energy and, if not installed and used in accordance with the instructions, may cause harmful interference to radio communications. However, there is no guarantee that interference will not occur in a particular installation. If this equipment does cause harmful interference to radio or television reception, which can be determined by turning the equipment off and on, the user is encouraged to try to correct the interference by one or more of the following measures:

- Reorient or relocate the receiving antenna.
- Increase the separation between the equipment and receiver.

- Connect the equipment into an outlet on a circuit different from that to which the receiver is connected.
- Consult the dealer or an experienced radio/TV technician for help.

The product shall be connected using a shielded network cable (STP) that is properly grounded.

Contact information

Axis Communications Inc.
300 Apollo Drive
Chelmsford, MA 01824
United States of America
Tel: +1 978 614 2000

Canada

This digital apparatus complies with CAN ICES-3 (Class B). The product shall be connected using a shielded network cable (STP) that is properly grounded. Cet appareil numérique est conforme à la norme CAN NMB-3 (classe B). Le produit doit être connecté à l'aide d'un câble réseau blindé (STP) qui est correctement mis à la terre.

Europe

This digital equipment fulfills the requirements for RF emission according to the Class B limit of EN 55032. The product shall be connected using a shielded network cable (STP) that is properly grounded.

Australia/New Zealand

This digital equipment fulfills the requirements for RF emission according to the Class B limit of AS/NZS CISPR 32. The product shall be connected using a shielded network cable (STP) that is properly grounded.

Japan

この装置は、クラスB 情報技術装置です。この装置は、家庭環境で使用することを目的としていますが、この装置がラジオやテレビジョン受信機に近接して使用されると、受信障害を引き起こすことがあります。取扱説明書に従って正しい取り扱いをして下さい。VCCI-B 本製品は、シールドネットワークケーブル (STP) を使用して接続してください。また適切に接地してください。

Korea

이 기기는 가정용(B급) 전자파적합기기로서 주로 가정에서 사용하는 것을 목적으로 하며, 모든 지역에서 사용할 수 있습니다. 적절히 접지된 STP (shielded twisted pair) 케이블을 사용하여 제품을 연결 하십시오.

Safety

This product complies with IEC/EN/UL 60950-1, Safety of Information Technology Equipment.

Disposal and recycling

When this product has reached the end of its useful life, dispose of it according to local laws and regulations. For information about your nearest designated collection point, contact your local authority responsible for waste disposal. In accordance with local legislation, penalties may be applicable for incorrect disposal of this waste.

Europe



■ This symbol means that the product shall not be disposed of together with household or commercial

waste. Directive 2012/19/EU on waste electrical and electronic equipment (WEEE) is applicable in the European Union member states. To prevent potential harm to human health and the environment, the product must be disposed of in an approved and environmentally safe recycling process. For information about your nearest designated collection point, contact your local authority responsible for waste disposal. Businesses should contact the product supplier for information about how to dispose of this product correctly.

This product complies with the requirements of Directive 2011/65/EU and 2015/863 on the restriction of the use of certain hazardous substances in electrical and electronic equipment (RoHS).

China



This product complies with the requirements of SJ/T 11364-2014, Marking for the restriction of hazardous substances in electrical and electronic products.

有毒有害物质或元素						
部件名称	铅 (Pb)	汞 (Hg)	镉 (Cd)	六价铬 (Cr-VI)	多溴联苯 (PB-B)	多溴二苯醚 (PB-DE)
电气安装部分	X	0	0	0	0	0
0: 表示该有毒有害物质在该部件均质材料中的含量均在GB/T 26572标准规定的限量要求以下。 X: 表示该有毒有害物质至少在该部件的某一均质材料中的含量超出GB/T 26572标准规定的限量要求。						

Contact information

Axis Communications AB
Emdalvägen 14
223 69 Lund
Sweden

Tel: +46 46 272 18 00

Fax: +46 46 13 61 30

axis.com

Warranty information

For information about Axis' product warranty and thereto related information, go to axis.com/warranty

Support

Should you require any technical assistance, please contact your Axis reseller. If your questions cannot be

answered immediately, your reseller will forward your queries through the appropriate channels to ensure a rapid response. If you are connected to the Internet, you can:

- download user documentation and software updates
- find answers to resolved problems in the FAQ database, search by product, category, or phrase
- report problems to Axis support staff by logging in to your private support area
- chat with Axis support staff
- visit Axis Support at axis.com/support

Learn more!

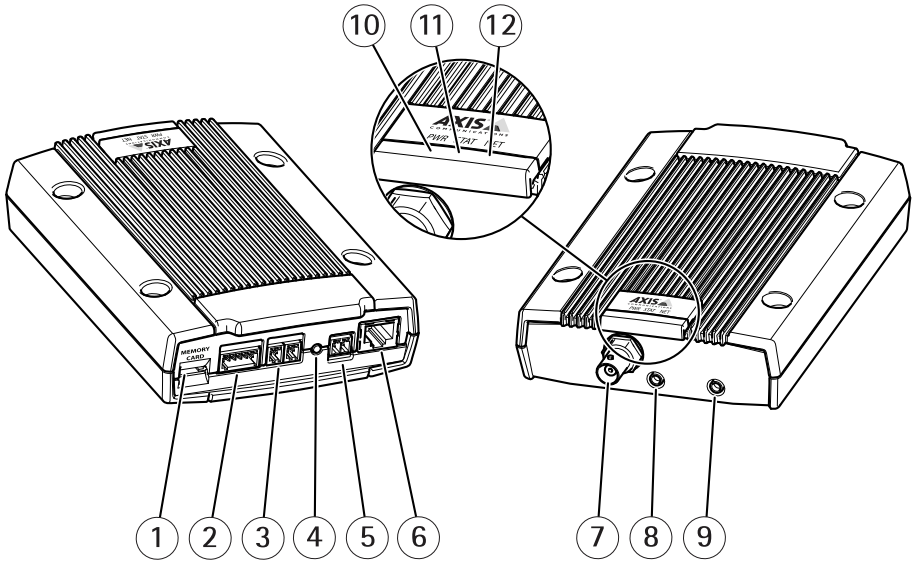
Visit Axis learning center axis.com/academy for useful trainings, webinars, tutorials and guides.

Package contents

- AXIS Q7411
- Power adapter
- Mounting kit
 - 4 screws and plugs to mount the encoder to a concrete wall
 - 4 surface protection pads
 - Terminal block connectors (I/O: 6-pin connector, RS-485/422: 2x 2-pin connector)
- Printed materials
 - Installation Guide (this document)

AXIS Q7411 Video Encoder

Product overview



- 1 Memory card
- 2 I/O connector
- 3 RS485/422 connector
- 4 Control button
- 5 Power connector
- 6 Network connector
- 7 Video input
- 8 Audio input
- 9 Audio output
- 10 Power LED
- 11 Status LED
- 12 Network LED

How to install the product

Install the hardware

Mount the video encoder

The video encoder is supplied with a mounting kit containing screws and plugs for mounting the video encoder to a concrete wall:

1. Place the video encoder against the wall, and mark the location of the four mounting holes (see *page 8*) through which the video encoder will be attached.
2. Remove the video encoder and drill the four mounting holes.
3. Insert the wall plugs into the wall, position the video encoder, and attach it to the wall using the screws provided.

Note

The supplied protective pads can be used to avoid scratching the surface on which the video encoder is placed. Punch out the pads and apply them to the underside of the video encoder.

Connect the cables

1. Connect the encoder to the network using a shielded network cable. If using PoE see note below.
2. Optionally connect external input/output devices, e.g. alarm devices. See *page 13* for information on the terminal connector pins.
3. Optionally connect an active speaker and/or external microphone.
4. Connect the camera to the video input.
5. If powering the unit with the DC input, connect the supplied indoor power adapter or an external power supply. See note below.
6. Check that the indicator LEDs indicate the correct conditions. See *page 12* for information on the LED indicators.

Note

- The unit can be powered using either the DC power input or PoE (Power over Ethernet).
- If powering the unit using DC power, connect the power supply to the power connector at the rear of the unit.
- If powering the unit using PoE, connect a PoE network cable.

How to access the product

To find Axis devices on the network and assign them IP addresses in Windows®, use AXIS IP Utility or AXIS Device Manager. Both applications are free and can be downloaded from axis.com/support

For more information about using the product, see the User Manual available at axis.com

How to reset to factory default settings

Important

Reset to factory default should be used with caution. A reset to factory default resets all settings, including the IP address, to the factory default values.

To reset the product to the factory default settings:

1. Disconnect power from the product.
2. Press and hold the control button and reconnect power.
3. Keep the control button pressed for 15–30 seconds until the status LED indicator flashes amber.
4. Release the control button. The process is complete when the status LED indicator turns green. The product has been reset to the factory default settings. If no DHCP server is available on the network, the default IP address is 192.168.0.90
5. Using the installation and management software tools, assign an IP address, set the password, and access the video stream.

The installation and management software tools are available from the support pages at axis.com/support

It is also possible to reset parameters to factory default via the web interface. Go to **Setup > System Options > Maintenance** and click **Default**.

Further information

- For the latest version of this document, see axis.com
- The user manual is available at axis.com
- To check if there is updated firmware available for your device, see axis.com/support
- For useful online trainings and webinars, see axis.com/academy

Optional accessories

For a complete list of available accessories for this product, go to the product's page on axis.com and select Software & Accessories.

AXIS Q7411 Video Encoder

Specifications

To find the latest version of the product's datasheet, go to the product page at axis.com and locate **Support & Documentation**.

LED indicators

LED	Color	Indication
Net-work	Green	Steady for connection to a 100/1000 MBit/s network. Flashes for network activity.
	Amber	Steady for connection to a 10 MBit/s network. Flashes for network activity.
	Unlit	No network connection.
Status	Green	Steady green for normal operation.
	Amber	Steady during startup, during reset to factory default or when restoring settings.
	Red	Slow flash for failed upgrade.
Power	Green	Normal operation.
	Amber	Flashes green/amber during firmware upgrade.

SD card slot

NOTICE

- Risk of damage to SD card. Do not use sharp tools, metal objects, or excessive force when inserting or removing the SD card. Use your fingers to insert and remove the card.
- Risk of data loss and corrupted recordings. Do not remove the SD card while the product is running. Unmount the SD card from the product's webpage before removal.

This product supports microSD/microSDHC/microSDXC cards.

For SD card recommendations, see axis.com

Buttons

Control button

For location of the control button, see .

The control button is used for:

- Resetting the product to factory default settings. See *page 10*.

Connectors

BNC connector

The video input is terminated using a coax/BNC connector.

Connect a 75 Ohm coaxial video cable; the recommended maximum length is 250 m (800 ft).

Note

If the video source is connected in parallel with other equipment using a BNC T adaptor, disable the input termination by setting the 75 Ohm termination switch to OFF to avoid reduced image quality.

Network connector

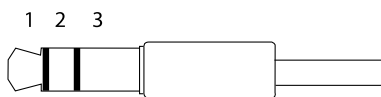
RJ45 Ethernet connector with Power over Ethernet (PoE).

Audio connector

The Axis product has the following audio connectors:

- Audio in (pink)** – 3.5 mm input for a mono microphone, or a line-in mono signal.
- Audio out (green)** – 3.5 mm output for audio (line level) that can be connected to a public address (PA) system or an active speaker with a built-in amplifier. We recommend to use a stereo connector for audio out.

3.5 mm audio connectors



	1 Tip	2 Ring	3 Sleeve
Audio Input			Ground
Audio Output	Line out, mono	Line out, mono	Ground

I/O connector

Use the I/O connector with external devices in combination with, for example, motion detection, event triggering, and alarm notifications. In addition to the 0 V DC reference point and power (DC output), the I/O connector provides the interface to:

AXIS Q7411 Video Encoder

Digital input – For connecting devices that can toggle between an open and closed circuit, for example PIR sensors, door/window contacts, and glass break detectors.

Digital output – For connecting external devices such as relays and LEDs. Connected devices can be activated by the VAPIX® Application Programming Interface or from the product's webpage.

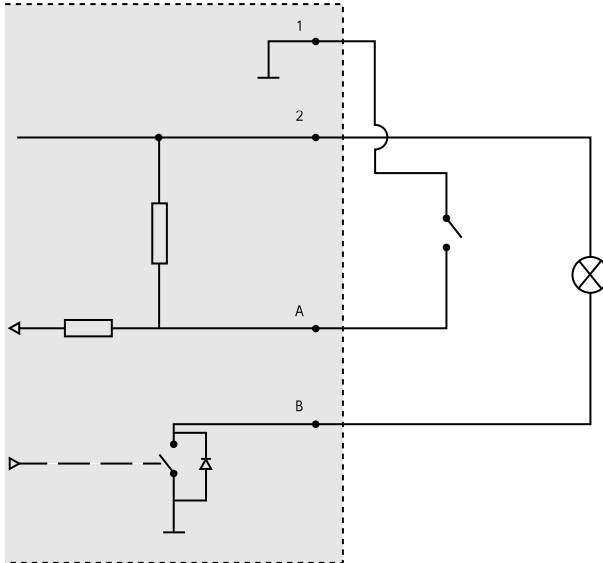
6-pin configurable terminal block



Function	Pin	Notes	Specifications
0 V DC (-)	1		0 V DC
DC output	2	Can be used to power auxiliary equipment. Note: This pin can only be used as power out.	3.3 V DC Max load = 250 mA
Configurable (Input or Output)	3– 6	Digital input – Connect to pin 1 to activate, or leave floating (unconnected) to deactivate.	0 to max 40 V DC
		Digital output – Connected to pin 1 when activated, floating (unconnected) when deactivated. If used with an inductive load, e.g. a relay, a diode must be connected in	0 to max 40 V DC, open drain, 100 mA

parallel with the load, for protection against voltage transients.

EN



- 1 0 VDC (-)
- 2 DC output 3.3 V, max 250 mA
- A I/O configured as input
- B I/O configured as output

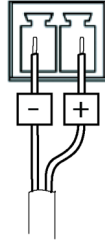
Power connector

2-pin terminal block is used for power input from the supplied power adapter or an external power supply.

The external power supply alternatives are:

1. the power supply included in package
2. an external 8-28 V DC limited power source with a maximum output current of 1A.

AXIS Q7411 Video Encoder



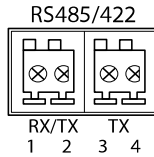
Function	Pin number	Description
GND	1	Ground
DC Power	2	Power input 8-28 V DC max 5.3 W

RS485/RS422 connector

Two 2-pin terminal blocks for RS485/RS422 serial interface used to control auxiliary equipment such as pan-tilt devices.

The serial port can be configured to support:

- Two-wire RS485 half duplex
- Four-wire RS485 full duplex
- Two-wire RS422 simplex
- Four-wire RS422 full duplex point to point communication



Function	Pin	Notes
RS485/RS422 RX/TX A	1	(RX) For full duplex RS485/RS422 (RX/TX) For half duplex RS485
RS485/RS422 RX/TX B	2	
RS485/RS422 TX A	3	(TX) For full duplex RS485/RS422
RS485/RS422 TX B	4	

Safety information

Hazard levels

▲ DANGER

Indicates a hazardous situation which, if not avoided, will result in death or serious injury.

▲ WARNING

Indicates a hazardous situation which, if not avoided, could result in death or serious injury.

▲ CAUTION

Indicates a hazardous situation which, if not avoided, could result in minor or moderate injury.

NOTICE

Indicates a situation which, if not avoided, could result in damage to property.

Other message levels

Important

Indicates significant information which is essential for the product to function correctly.

Note

Indicates useful information which helps in getting the most out of the product.

Safety instructions

⚠ WARNING

The Axis product shall be installed by a trained professional, and in compliance with local laws and regulations.

NOTICE

- The Axis product shall be used in compliance with local laws and regulations.
- Store the Axis product in a dry and ventilated environment.
- Avoid exposing the Axis product to shocks or heavy pressure.
- Use only applicable tools when installing the Axis product. Using excessive force with power tools could cause damage to the product.
- Use only accessories that comply with the technical specification of your product. These can be provided by Axis or a third party. Axis recommends using Axis power source equipment compatible with your product.
- Use only spare parts provided by or recommended by Axis.
- Do not attempt to repair the product yourself. Contact Axis support or your Axis reseller for service matters.

Transportation

NOTICE

- When transporting the Axis product, use the original packaging or equivalent to prevent damage to the product.

Battery

The Axis product uses a 3.0 V BR2032 lithium battery as the power supply for its internal real-time clock (RTC). Under normal conditions this battery will last for a minimum of five years.

Low battery power affects the operation of the RTC, causing it to reset at every power-up. When the battery needs replacing, a log message will appear in the product's server report. For more information about the server report, see the product's web page or contact Axis support.

Lithium coin cell 3.0 V batteries contain 1,2-dimethoxyethane; ethylene glycol dimethyl ether (EGDME), CAS no. 110-71-4.

⚠ WARNING

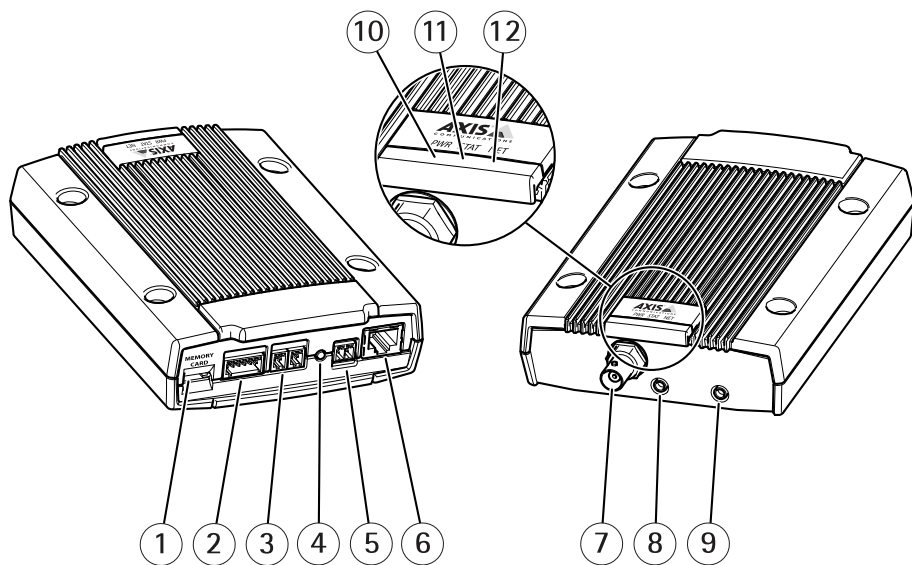
- Risk of explosion if the battery is incorrectly replaced.
- The battery should be replaced with an identical battery only.
- Used batteries should be disposed of according to local regulations or the battery manufacturer's instructions.

Contenu de l'emballage

- AXIS Q7411
- Adaptateur d'alimentation
- Kit de montage
 - 4 vis et chevilles pour monter l'encodeur sur un mur en béton
 - 4 patins de protection de surface
 - Bornes de connexion (E/S : connecteur à 6 broches, RS-485/422 : 2 connecteurs à 2 broches)
- Documents imprimés
 - Guide d'installation (ce document)

AXIS Q7411 Video Encoder

Vue d'ensemble du produit



- 1 Carte mémoire
- 2 Connecteur d'E/S
- 3 Connecteur RS485/422
- 4 Bouton de commande
- 5 Connecteur d'alimentation
- 6 Connecteur réseau
- 7 Entrée vidéo
- 8 Entrée audio
- 9 Sortie audio
- 10 Voyant d'alimentation
- 11 Voyant d'état
- 12 Voyant réseau

Comment installer le produit

Installation du matériel

Montage de l'encodeur vidéo

L'encodeur vidéo est fourni avec un kit de montage contenant des vis et des connecteurs pour le montage de l'encodeur vidéo sur un mur en béton :

1. Placez l'encodeur vidéo contre le mur et marquez l'emplacement des quatre trous de montage (voir *page 20*) à travers lesquels l'encodeur vidéo sera fixé.
2. Retirez l'encodeur vidéo et percez les quatre trous de montage.
3. Insérez les chevilles dans le mur, positionnez l'encodeur vidéo et fixez-le au mur à l'aide des vis fournies.

Note

Les cales de protection fournies peuvent être utilisées pour éviter de rayer la surface sur laquelle l'encodeur vidéo est placé. Poussez les cales et appuyez-les sur le côté inférieur de l'encodeur vidéo.

Branchement des câbles

1. Branchez l'encodeur au réseau à l'aide d'un câble réseau blindé. En cas d'utilisation de PoE, voir la remarque ci-dessous.
2. Si vous le souhaitez, connectez des périphériques d'entrée/sortie externes, tels que des systèmes d'alarme. Reportez-vous à la section *page 26* pour plus d'informations sur les broches du connecteur pour terminaux.
3. Si vous le souhaitez, vous pouvez brancher un haut-parleur actif et/ou un microphone externe.
4. Connectez la caméra à l'entrée vidéo.
5. Si l'appareil est alimenté avec l'entrée en CC, branchez l'adaptateur secteur d'intérieur fourni ou une alimentation externe. Voir la remarque ci-dessous.
6. Vérifiez que les voyants DEL indiquent le bon état de fonctionnement. Reportez-vous à la section *page 25* pour plus d'informations sur les voyants.

Note

- L'appareil peut être alimenté soit avec une entrée CC ou PoE (alimenté par Ethernet).
- Si l'appareil est alimenté par une alimentation en courant continu, branchez l'alimentation au connecteur d'alimentation situé à l'arrière de l'appareil.
- Si l'appareil est alimenté par PoE, branchez un câble réseau PoE.

Comment accéder au produit

Pour trouver les périphériques Axis présents sur le réseau et leur attribuer des adresses IP sous Windows®, utilisez AXIS IP Utility ou AXIS Device Manager. Ces applications sont gratuites et peuvent être téléchargées via axis.com/support

Pour plus d'informations sur l'utilisation du produit, consultez le Manuel de l'utilisateur disponible sur axis.com

Comment réinitialiser les paramètres par défaut

Important

La réinitialisation aux paramètres par défaut doit être utilisée avec prudence. Cette opération reconfigure tous les paramètres, y compris l'adresse IP, aux valeurs d'usine par défaut.

FR

Pour réinitialiser l'appareil aux paramètres d'usine par défaut :

1. Déconnectez l'alimentation de l'appareil.
2. Maintenez le bouton de commande enfoncé et remettez l'appareil sous tension.
3. Maintenez le bouton de commande enfoncé pendant 15 à 30 secondes, jusqu'à ce que le voyant d'état passe à l'orange et clignote.
4. Relâchez le bouton de commande. Le processus est terminé lorsque le voyant d'état passe au vert. Les paramètres d'usine par défaut de l'appareil ont été rétablis. En l'absence d'un serveur DHCP sur le réseau, l'adresse IP par défaut est 192.168.0.90.
5. Utilisez les outils d'installation et de gestion pour attribuer une adresse IP, configurez le mot de passe et accédez au flux de données vidéo.

Les logiciels d'installation et de gestion sont disponibles sur les pages d'assistance du site axis.com/support.

Il est également possible de rétablir les paramètres d'usine à partir de l'interface Web. Accédez à **Setup > System Options > Maintenance (Configuration > Options du système > Maintenance)** et cliquez sur **Default (Défaut)**.

Informations complémentaires

- Pour obtenir la version la plus à jour de ce document, voir axis.com
- Le manuel d'utilisateur est disponible sur le site axis.com
- Pour vérifier s'il existe un firmware mis à jour pour votre appareil, voir axis.com/support
- Pour accéder à des formations et webinaires en ligne utiles, voir axis.com/academy

Accessoires en option

Pour une liste complète des accessoires disponibles pour ce produit, accédez à la page du produit sur axis.com et sélectionnez Logiciel et accessoires.

Caractéristiques

Pour obtenir la dernière version de la fiche technique du produit, rendez-vous sur la page du produit sur le site axis.com et trouvez l'option **Support & Documentation (Assistance et documentation)**.

Voyants DEL

Voyant DEL	Couleur	Indication
Réseau	Vert	Fixe en cas de connexion à un réseau de 100/1 000 Mbits/s. Clignote en cas d'activité réseau.
	Orange	Fixe en cas de connexion à un réseau de 10 Mbits/s. Clignote en cas d'activité réseau.
	Éteint	Pas de connexion réseau.
État	Vert	Vert fixe en cas de fonctionnement normal.
	Orange	Fixe pendant le démarrage, la réinitialisation des paramètres d'usine ou la restauration des paramètres.
	Rouge	Clignote lentement en cas d'échec de la mise à niveau.
Alimentation	Vert	Fonctionnement normal.
	Orange	Le voyant vert/orange clignote pendant la mise à niveau du firmware.

FR

Fente pour carte SD

AVIS

- Risque de dommages à la carte SD. N'utilisez pas d'outils tranchants ou d'objets métalliques pour insérer ou retirer la carte SD, et ne forcez pas lors son insertion ou de son retrait. Utilisez vos doigts pour insérer et retirer la carte.
- Risque de perte de données et d'enregistrements corrompus. Ne retirez pas la carte SD pendant que le produit fonctionne. Démontez la carte SD de la page Web du produit avant le retrait.

Ce produit est compatible avec les cartes microSD/microSDHC/microSDXC.

Pour des recommandations sur les cartes SD, consultez axis.com

Boutons

Bouton de commande

Pour connaître l'emplacement du bouton de commande, voir .

Le bouton de commande permet de réaliser les opérations suivantes :

- Réinitialisation du produit aux paramètres d'usine par défaut. Cf. *page 23*.

Connecteurs

Connecteur BNC

L'entrée vidéo est terminée à l'aide d'un connecteur coaxial/BNC.

Utilisez un câble vidéo coaxial de 75 ohms ; la longueur maximale recommandée est de 250 mètres (800 pi).

Note

Si la source vidéo doit être connectée parallèlement à d'autres équipements à l'aide d'un adaptateur en T BNC, désactivez la terminaison d'entrée en configurant le commutateur de terminaison de 75 ohms sur OFF afin d'éviter une qualité d'image réduite.

Connecteur réseau

Connecteur Ethernet RJ45 avec l'alimentation par Ethernet (PoE).

Connecteur audio

Le produit Axis dispose des connecteurs audio suivants :

- **Entrée audio (rose)** – entrée de 3,5 mm pour microphone mono ou signal d'entrée mono.
- **Sortie audio (verte)** : sortie de 3,5 mm (sortie de ligne) qui peut être connectée à un système de sonorisation (PA) ou à un haut-parleur actif avec amplificateur intégré. Nous recommandons d'utiliser un connecteur stéréo pour la sortie audio.

Connecteurs audio 3,5 mm



	1 Pointe	2 Anneau	3 Manchon
Entrée audio			Masse
Sortie audio	Sortie de ligne, mono	Sortie de ligne, mono	Masse

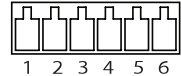
Connecteur d'E/S

Utilisez le connecteur d'E/S avec des périphériques externes, associés aux applications telles que la détection de mouvement, le déclenchement d'événements et les notifications d'alarme. En plus du point de référence 0 V CC et de l'alimentation (sortie CC), le connecteur d'E/S fournit une interface aux éléments suivants :

Entrée numérique – Pour connecter des dispositifs pouvant passer d'un circuit ouvert à un circuit fermé, par exemple capteurs infrarouge passifs, contacts de porte/fenêtre et détecteurs de bris de verre.

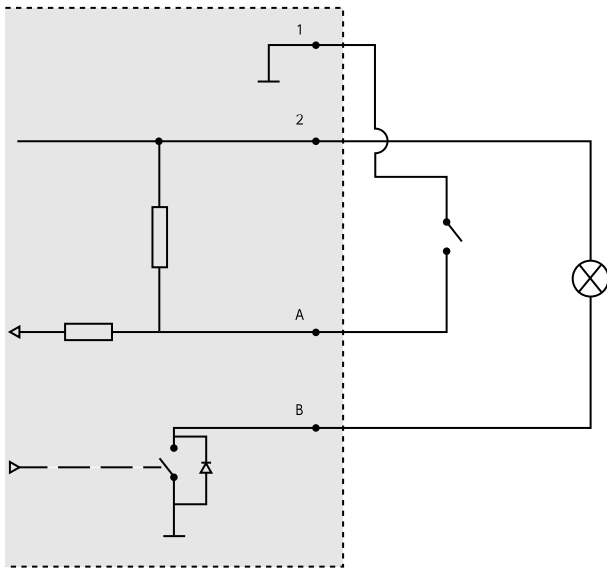
Sortie numérique – Permet de connecter des dispositifs externes, comme des relais ou des voyants. Les appareils connectés peuvent être activés par l'interface de programmation VAPIX® ou à partir de la page Web du produit.

Bloc terminal configurable à 6 broches



Fonction	Broche	Remarques	Caractéristiques
0 V CC (-)	1		0 V CC
Sortie CC	2	Peut servir à alimenter le matériel auxiliaire. Remarque : cette broche ne peut être utilisée que comme sortie d'alimentation.	3,3 V CC Charge max. = 250 mA
Configurable (entrée ou sortie)	3-6	Entrée numérique – Connectez-la à la broche 1 pour l'activer ou laissez-la flotter (déconnectée) pour la désactiver.	0 à 40 V CC
		Sortie numérique – Connectée à la broche 1 lorsqu'elle est activée, flotte (déconnectée) lorsqu'elle est désactivée. Si vous l'utilisez avec une charge inductive, par exemple un relais, une diode doit être connectée en parallèle avec la charge, en guise de protection contre les tensions transitoires.	0 à 40 V CC max., drain ouvert, 100 mA

AXIS Q7411 Video Encoder



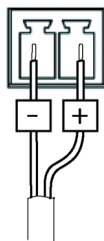
- 1 0 V CC (-)
- 2 Sortie CC 3,3 V, maxi. 250 mA
- A Entrée/sortie configurée comme entrée
- B Entrée/sortie configurée comme sortie

Connecteur d'alimentation

Le bloc terminal à 2 broches est utilisé pour la puissance d'entrée de l'adaptateur secteur fourni ou du bloc d'alimentation externe.

Les alternatives pour l'alimentation externe sont les suivantes :

1. l'alimentation électrique est également fournie avec l'encodeur.
2. une source d'alimentation limitée externe 8-28 V CC avec un courant de sortie maximum de 1 A.



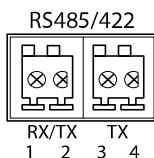
Fonction	Numéro de broche	Description
Terre	1	mise à la terre
Alimentation CC	2	Puissance d'entrée 8-28 V CC max. 5,3 W

Connecteur RS485/RS422

Deux blocs terminaux à 2 broches pour l'interface série RS485/RS422 utilisée pour commander les équipements auxiliaires, tels que les dispositifs panoramique/inclinaison.

Le port série peut être configuré pour la prise en charge de :

- RS485 semi-duplex sur deux fils
- RS485 duplex intégral sur quatre fils
- RS422 simplex sur deux fils
- RS422 duplex intégral sur quatre fils pour communication point à point



Fonction	Broche	Notes
RS485/RS422 RX/TX A	1	(RX) Pour duplex intégral RS485/RS422 (RX/TX) pour semi-duplex RS485
RS485/RS422 RX/TX B	2	
RS485/RS422 TX A	3	(TX) Pour duplex intégral RS485/RS422
RS485/RS422 TX B	4	

Informations sur la sécurité

Niveaux de risques

▲DANGER

Indique une situation dangereuse qui, si elle n'est pas évitée, entraînera le décès ou des blessures graves.

▲AVERTISSEMENT

Indique une situation dangereuse qui, si elle n'est pas évitée, pourrait entraîner le décès ou des blessures graves.

▲ATTENTION

Indique une situation dangereuse qui, si elle n'est pas évitée, pourrait entraîner des blessures légères ou modérées.

AVIS

Indique une situation qui, si elle n'est pas évitée, pourrait endommager l'appareil.

Autres niveaux de message

Important

Indique les informations importantes, nécessaires pour assurer le bon fonctionnement de l'appareil.

Note

Indique les informations utiles qui permettront d'obtenir le fonctionnement optimal de l'appareil.

Consignes de sécurité

⚠ AVERTISSEMENT

Le produit Axis doit être installé par un professionnel qualifié et conformément aux lois et réglementations locales en vigueur.

AVS

- Le produit Axis doit être utilisé conformément aux lois et règlements locaux.
- Conserver ce produit Axis dans un environnement sec et ventilé.
- Ne pas exposer ce produit Axis aux chocs ou aux fortes pressions.
- Utiliser uniquement des outils recommandés pour l'installation de l'appareil Axis. L'application d'une force excessive sur l'appareil avec des outils puissants pourrait l'endommager.
- Utiliser uniquement des accessoires conformes aux caractéristiques techniques de votre produit. Ils peuvent être fournis par Axis ou un tiers. Axis recommande d'utiliser un équipement d'alimentation Axis compatible avec votre produit.
- Utiliser uniquement les pièces de rechange fournies ou recommandées par Axis.
- Ne pas essayer de réparer vous-même ce produit. Contacter l'assistance technique d'Axis ou votre revendeur Axis pour des problèmes liés à l'entretien.

Transport

AVS

- Lors du transport du produit Axis, utilisez l'emballage d'origine ou un équivalent pour éviter d'endommager le produit.

Batterie

Le produit Axis utilise une batterie au lithium BR2032 3,0 V comme alimentation de son horloge en temps réel interne (RTC). Dans des conditions normales, cette batterie a une durée de vie minimale de cinq ans.

Si la batterie est faible, le fonctionnement de l'horloge en temps réel peut être affecté et entraîner sa réinitialisation à chaque mise sous tension. Un message enregistré apparaît dans le rapport de serveur du produit lorsque la batterie doit être remplacée. Pour plus d'informations sur le rapport serveur, consultez la page Web du produit ou contactez l'assistance technique d'Axis.

Les piles boutons 3,0 V au lithium contiennent du 1,2-diméthoxyéthane, éthylène glycol diméthyl éther (EGDME), CAS n° 110-71-4.

⚠ AVERTISSEMENT

- Risque d'explosion si la batterie est remplacée de façon incorrecte.
- La batterie doit être remplacée par une batterie identique uniquement.

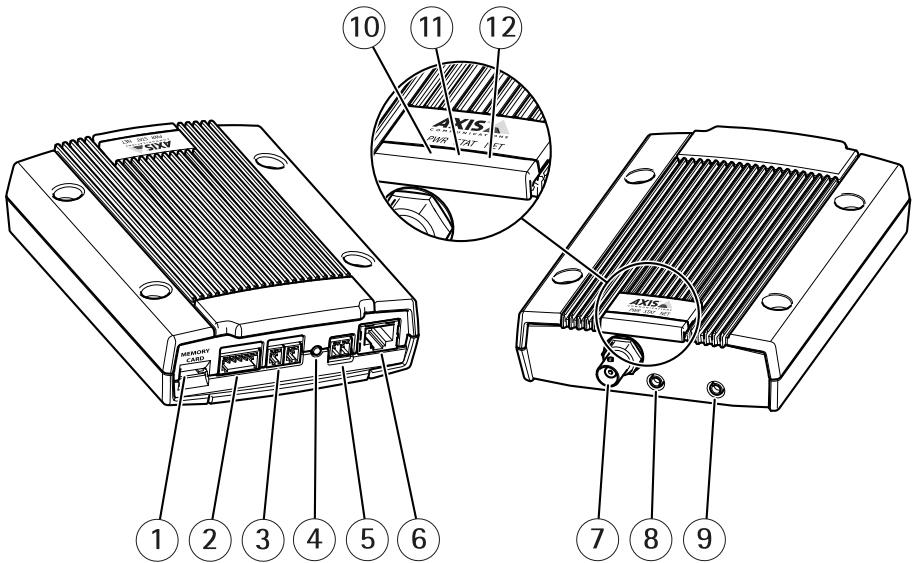
- Les batteries usagées doivent être mises au rebut conformément aux réglementations locales ou aux instructions du fabricant de la batterie.

Lieferumfang

- AXIS Q7411
- Netzteil
- Montagesatz
 - Vier Schrauben und vier Dübel für die Montage des Encoders an Betonwänden
 - Vier Oberflächenschutzpolster
 - Anschlussklemmenleiste (E/A: sechspoliger Anschluss, RS-485/422: zweipoliger Anschluss, 2 St.)
- Gedrucktes Material
 - Installationsanleitung (dieses Dokument)

DE

Produktübersicht



- 1 Speicherkarte
- 2 E/A-Anschluss
- 3 Anschluss RS-485/422
- 4 Steuertaste
- 5 Netzanschluss
- 6 Netzwerkanschluss
- 7 Videoeingang
- 8 Audioeingang
- 9 Audioausgang
- 10 LED-Stromanzeige
- 11 LED-Statusanzeige
- 12 LED-Netzwerkanzeige

Installieren des Produkts

Die Hardware installieren

Den Videoencoder montieren

Der Montagesatz enthält Schrauben und Dübel zum Befestigen des Videoencoders an Betonwänden.

1. Den Videoencoder an der Wand platzieren und die vier Montagebohrungen (siehe *Seite 36*) markieren.
2. Den Videoencoder entfernen und die vier Montagelöcher bohren.
3. Die Dübel in die Bohrlöcher einsetzen, den Videoencoder ansetzen und mit den Schrauben befestigen.

DE

Beachten

Die mitgelieferten Schutzpolster schützen die Montageoberfläche vor Verkratzen durch den Videoencoder. Die vier Schutzpolster herausdrücken und an der Unterseite des Videoencoders anbringen.

Die Kabel anschließen

1. Den Encoder mit einem geschirmten Netzwerkkabel mit dem Netzwerk verbinden. Für PoE die nachfolgenden Hinweise beachten.
2. Optionale externe E/A-Geräte wie etwa Alarmgeräte anschließen. Für Informationen zur Anschlussbelegung siehe *Seite 42*.
3. Optionalen Aktivlautsprecher und/oder externes Mikrofon anschließen.
4. Die Kamera an den Videoeingang anschließen.
5. Wenn die Einheit über den Gleichstromeingang versorgt wird, das mitgelieferte Netzteil oder ein anderes externes Netzteil anschließen. Siehe die Anmerkung unten.
6. Überprüfen, ob die LED-Anzeigen die Zustände richtig angeben. Informationen zur Anschlussbelegung, siehe *Seite 41*.

Beachten

- Die Einheit kann entweder über den Gleichstromeingang oder über PoE (Power over Ethernet) mit Strom versorgt werden.
- Falls das Gerät mit Gleichstrom betrieben wird, das Gerät über den Anschluss an der Rückseite anschließen.
- Falls das Gerät über PoE betrieben wird, das PoE-Netzwerkkabel anschließen.

Zugriff auf das Produkt

Ermitteln Sie mit AXIS IP Utility und AXIS Device Manager die Axis-Geräte im Netzwerk und weisen Sie ihnen unter Windows® IP-Adressen zu. Beide Anwendungen sind kostenlos und können von axis.com/support heruntergeladen werden.

AXIS Q7411 Video Encoder

Weitere Informationen zur Nutzung dieses Produkts finden Sie im Benutzerhandbuch auf axis.com.

Zurücksetzen auf die werksseitigen Standardeinstellungen

Wichtig

Die Funktion zum Zurücksetzen auf die werksseitigen Standardeinstellungen sollte mit Vorsicht verwendet werden. Mit dieser Funktion werden alle Einstellungen einschließlich der IP-Adresse auf die werksseitigen Standardeinstellungen zurückgesetzt.

So wird das Produkt auf die werksseitigen Standardeinstellungen zurückgesetzt:

1. Trennen Sie das Produkt von der Stromversorgung.
2. Halten Sie die Steuertaste gedrückt und stecken Sie den Netzstecker wieder ein.
3. Die Steuertaste etwa 15 bis 30 Sekunden gedrückt halten, bis die LED-Statusanzeige gelb blinkt.
4. Lassen Sie die Steuertaste los. Der Vorgang ist abgeschlossen, wenn die Status LED grün leuchtet. Das Produkt wurde auf die Werkseinstellungen zurückgesetzt. Wenn kein DHCP-Server im Netzwerk verfügbar ist, lautet die Standard-IP-Adresse 192.168.0.90.
5. Verwenden Sie die Software-Tools für Installation und Verwaltung, um eine IP-Adresse zuzuweisen, ein Kennwort einzurichten und auf den Videostream zuzugreifen.

Die Softwaretools für die Installation und Verwaltung stehen auf den Supportseiten unter axis.com/support zur Verfügung.

Die Parameter können auch über die Weboberfläche auf die Werkseinstellungen zurückgesetzt werden. Rufen Sie **Setup > System Options > Maintenance (Setup > Systemoptionen > Wartung)** auf und klicken Sie auf **Default (Standard)**.

Weitere Informationen

- Die aktuelle Version dieses Dokuments finden Sie auf axis.com
- Das Benutzerhandbuch steht auf axis.com zur Verfügung.
- Unter axis.com/support finden Sie die aktuellen Firmwareversionen für Ihr Gerät.
- Nützliches Onlinetraining und Webinare finden Sie unter axis.com/academy.

Optionales Zubehör

Eine vollständige Liste lieferbaren Zubehörs für dieses Produkt finden Sie auf axis.com unter Produkt, Software und Zubehör.

Technische Daten

Die aktuelle Version des technischen Datenblatts für das Produkt finden Sie auf axis.com unter **Support und Dokumentation**.

LED-Anzeigen

LED	Farbe	Bedeutung
Netzwerk	Grün	Dauerhaft bei Verbindung mit einem 100/1000 MBit/s-Netzwerk. Blinkt bei Netzwerkaktivität
	Orange	Dauerhaft bei Verbindung mit einem 10 MBit/s-Netzwerk. Blinkt bei Netzwerkaktivität.
	Leuchtet nicht	Keine Netzwerkverbindung vorhanden.
Status	Grün	Leuchtet bei Normalbetrieb grün.
	Gelb	Leuchtet konstant beim Einschalten und beim Wiederherstellen der Werkseinstellungen bzw. von vorherigen Einstellungen.
	Rot	Blinkt langsam bei einem Aktualisierungsfehler.
Stromversorgung	Grün	Normaler Betrieb
	Orange	Blinkt grün/orange während Firmware-Aktualisierung

Einschub für SD-Speicherkarte

HINWEIS

- Gefahr von Schäden an der SD-Karte. Beim Einsetzen oder Entfernen der SD-Karte keine scharfen Werkzeuge oder Gegenstände aus Metall benutzen und keine übermäßige Kraft anwenden. Setzen Sie die Karte per Hand ein. Das Gleiche gilt für das Entfernen.
- Gefahr von Datenverlust und Beschädigung von Aufzeichnungen. Die SD-Karte darf nicht entfernt werden, während das Produkt in Betrieb ist. Erst die SD-Karte über die Produktwebseite trennen, dann ausbauen.

Dieses Axis-Produkt unterstützt Karten des Typs microSD/microSDHC/microSDXC.

Für Empfehlungen zu SD-Karten, siehe axis.com.

Tasten

Steuertaste

Zur Lage der Steuertaste, siehe .

Die Steuertaste hat folgende Funktionen:

- Zurücksetzen des Produkts auf die Werkseinstellungen. Siehe *Seite 39*.

Anschlüsse

BNC-Steckverbinder

Der Videoeingang wird mit einem Koaxial-/BNC-Anschluss abgeschlossen.

Ein Koaxialvideokabel mit 75 Ohm Widerstand anschließen. Die empfohlene maximale Kabellänge beträgt 250 m.

Beachten

Wenn die Videoquelle parallel zu anderen Geräten mit einem BNC T-Adapter angeschlossen werden soll, den Eingangsabschluss aktivieren. Dazu den Abschlusschalter (75 Ohm) in die Position OFF stellen. Dies verbessert die Bildqualität.

Netzwerkanschluss

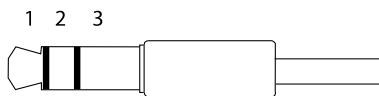
RJ45-Ethernetanschluss mit Power over Ethernet (PoE).

Audioanschlüsse

Das Axis Produkt ist mit den folgenden Audioanschlüssen ausgestattet:

- **Audioeingang (rosa)** – 3,5-mm-Anschluss für ein Monomikrofon oder ein Monosignal.
- **Audioausgang (grün)** – Audioausgang (Leitungspiegel) 3,5 mm zum Anschließen einer Rundrufanlage (PA) oder eines Aktivlautsprechers mit integriertem Verstärker. Für den Audioausgang empfiehlt wir eine Stereosteckverbindung.

Audioanschlüsse 3,5 mm



	1 Spitze	2 Ring	3 Schaft
Audioeingang			Erde
Audioausgang	Leitungsausgang, Mono	Leitungsausgang, Mono	Erde

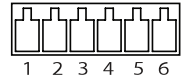
E/A-Anschluss

Über den E/A-Anschluss werden externe Geräte in Verbindung mit Manipulationsalarmen, Bewegungserkennung, Ereignisauslösung, Alarmbenachrichtigungen und anderen Funktionen angeschlossen. Außer dem Bezugspunkt 0 V Gleichstrom und Strom (Gleichstromausgang) besitzt der E/A-Anschluss über eine Schnittstelle zum:

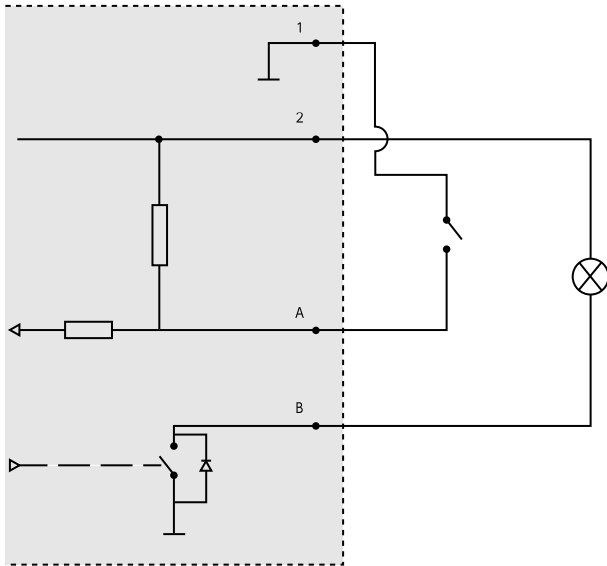
Digitaleingang – Zum Anschluss von Geräten, die zwischen geöffnetem und geschlossenem Schaltkreis wechseln können wie etwa PIR-Sensoren, Tür- und Fensterkontakte sowie Glasbruchmelder.

Digitalausgang – Zum Anschluss externer Geräte wie Relais und LEDs. Die angeschlossenen Geräte können über das VAPIX® Application Programming Interface oder über die Produktwebsite aktiviert werden.

6-poliger konfigurierbarer Anschlussblock



Funktion	Kontakt	Hinweise	Technische Angaben
0 V (-) Gleichstrom	1		0 V Gleichstrom
Gleichstromausgang	2	Kann für die Stromversorgung von Zusatzgeräten verwendet werden. Hinweis: Dieser Kontakt kann nur für den Stromausgang verwendet werden.	3,3 V DC Max. Stromstärke = 250 mA
Konfigurierbar (Ein- oder Ausgang)	3-6	Digitaleingang – zum Aktivieren mit Pin 1 verbinden; zum Deaktivieren nicht anschließen.	0 bis max. 40 V DC
		Digitalausgang – bei Aktivierung mit Pin 1 verbunden; wenn deaktiviert: frei (nicht verbunden). Bei Verwendung mit einer induktiven Last, z. B. einem Relais, muss parallel zur Last zum Schutz vor Spannungsspitzen eine Diode zwischengeschaltet werden.	0 bis max. 40 V DC, Open Drain, 100 mA



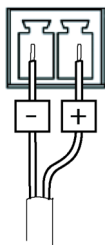
- 1 0 V (-) Gleichstrom
- 2 Gleichstromausgang 3,3 V, max. 250 mA
- A E/A als Eingang konfiguriert
- B E/A als Ausgang konfiguriert

Netzanschluss

Zweipolige Klemmenleiste für die Stromversorgung über den mitgelieferten Adapter oder ein externes Netzteil.

Alternativ können folgende externe Netzteile verwendet werden:

1. Die mitgelieferte Stromversorgungseinheit
2. Ein externes, auf 8 bis 28 V Gleichstrom begrenztes Netzteil mit einem maximalen Ausgangsstrom von 1A



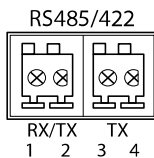
Funktion	Kontakt Nummer	Beschreibung
GND	1	Erde
Gleichstrom	2	Leistungsaufnahme 8 bis 28 V Gleichstrom max. 5,3 W

RS485-/RS422-Anschluss

Zwei 2-polige Anschlussblöcke für serielle Schnittstellen vom Typ RS485/RS422 zur Steuerung von Zusatzgeräten, beispielsweise zum Schwenken und Neigen.

Der serielle Anschluss kann in den folgenden Anschlussmodi konfiguriert werden:

- zweiadriger RS485-Halbduplex-Anschluss
- vieradriger RS485-Vollduplex-Anschluss
- zweiadriger RS422-Simplex-Anschluss
- vieradriger RS422-Vollduplex-Anschluss (Punkt-zu-Punkt-Verbindung)



Funktion	Kontakt	Hinweise
RS485/RS422 RX/TX A	1	(RX) RS485/RS422 für Vollduplex (RX/TX) RS485 für Halbduplex
RS485/RS422 RX/TX B	2	

AXIS Q7411 Video Encoder

RS485/RS422 TX A	3	(TX) RS485/RS422 für Vollduplex
RS485/RS422 TX B	4	

Sicherheitsinformationen

Gefährdungsstufen

▲GEFAHR

Weist auf eine gefährliche Situation hin, welche, falls nicht verhindert, zu Tod oder schweren Verletzungen führen kann.

▲WARNUNG

Weist auf eine gefährliche Situation hin, welche, falls nicht verhindert, zu Tod oder schweren Verletzungen führen kann.

▲VORSICHT

Weist auf eine gefährliche Situation hin, welche, falls nicht verhindert, zu geringfügiger oder mäßiger Verletzung führen kann.

HINWEIS

Weist auf eine gefährliche Situation hin, welche, falls nicht verhindert, zu Sachschäden führen kann.

Andere Meldeebenen

Wichtig

Weist auf wichtige Informationen hin, die den richtigen Betrieb des Produkts gewährleisten.

Beachten

Weist auf nützliche Informationen hin, die die optimale Verwendung des Produkts unterstützen.

Sicherheitsanweisungen

⚠ WARNUNG

Das Axis Produkt muss von fachmännisch geschultem Personal und unter Einhaltung der örtlich geltenden Bestimmungen installiert werden.

HINWEIS

- Das Axis-Produkt muss unter Beachtung der geltenden Gesetze und Bestimmungen betrieben werden.
- Lagern Sie das Axis Produkt in einer trockenen und belüfteten Umgebung.
- Das Axis-Produkt weder Stößen noch starkem Druck aussetzen.
- Verwenden Sie bei der Installation des Axis Produkts ausschließlich passende Werkzeuge. Ein zu großer Kraftaufwand mit elektrischen Werkzeugen kann das Produkt beschädigen.
- Verwenden Sie nur Zubehör, das den technischen Vorgaben Ihres Produkts entspricht. Dieses ist von Axis oder Drittanbietern erhältlich. Axis empfiehlt die mit Ihrem Produkt kompatible Stromversorgung von Axis.
- Verwenden Sie ausschließlich Ersatzteile die von Axis angeboten oder empfohlen werden.
- Versuchen Sie nicht, dieses Produkt selbsttätig zu reparieren. Wenden Sie sich bezüglich Reparatur und Wartung an den Axis Support oder Ihren Axis Händler.

Transport

HINWEIS

- Bei Bedarf transportieren Sie das Axis Produkt in der Originalverpackung oder einer entsprechenden Verpackung, so dass Schäden vermieden werden.

Batterie

Das Axis Produkt ist mit einer 3,0-V-BR2032-Lithium-Batterie ausgestattet, mit der die interne Echtzeituhr (RTC) versorgt wird. Unter normalen Bedingungen hat die Batterie eine Lebensdauer von mindestens fünf Jahren.

Eine nicht ausreichend geladene Batterie beeinträchtigt den Betrieb der Echtzeituhr, die dann bei jedem Systemstart zurückgesetzt wird. Sie erhalten eine Protokollnachricht im Serverbericht des Produkts, wenn ein Batteriewechsel erforderlich ist. Weitere Informationen zum Serverbericht finden Sie auf den Webseiten des Produkts, oder wenden Sie sich an den Axis-Support.

Lithium-Knopfzellen (3,0 V) enthalten 1,2-Dimethoxyethan; Ethylenglycoldimethylether (EGDME), CAS-Nr. 110-71-4.

⚠ WARNUNG

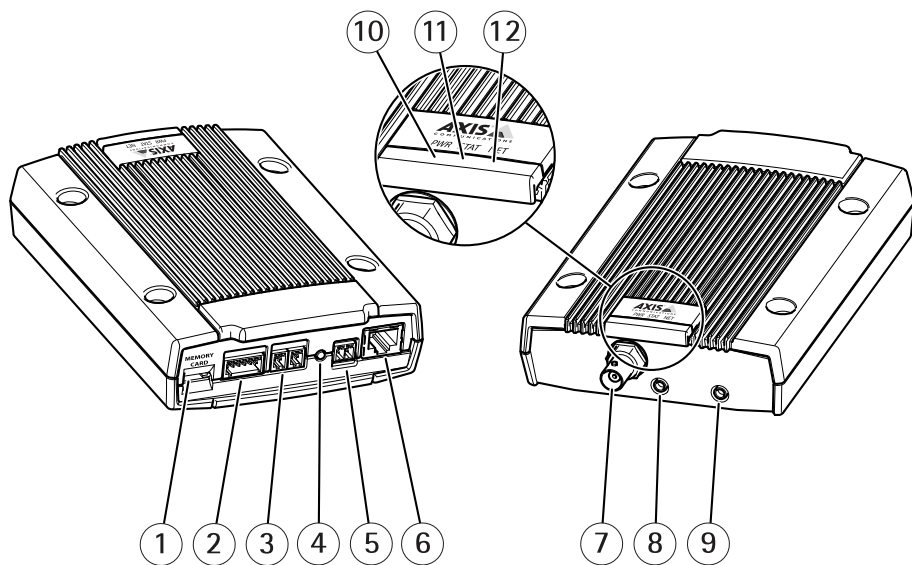
- Explosionsgefahr bei fehlerhaftem Batteriewechsel.
- Die Batterie darf nur durch eine identische Batterie ersetzt werden.

- Verbrauchte Batterien gemäß den örtlichen Vorschriften oder den Anweisungen des Herstellers entsorgen.

Contenuto della confezione

- AXIS Q7411
- Adattatore alimentazione
- Kit di montaggio
 - 4 viti e tasselli per montare il codificatore alla parete
 - 4 cuscinetti di protezione
 - Connettori morsettiera (I/O: connettore a 6 pin, RS-485/422: 2 connettori a 2 pin)
- Documentazione
 - Guida all'installazione (il presente documento)

Panoramica del dispositivo



- 1 Scheda di memoria
- 2 Connettore I/O
- 3 Connettore RS485/422
- 4 Pulsante di comando
- 5 Connettore di alimentazione
- 6 Connettore di rete
- 7 Ingresso video
- 8 Ingresso audio
- 9 Uscita audio
- 10 Power LED
- 11 LED di stato
- 12 LED di rete

Come installare il dispositivo

Installazione dell'hardware

Montaggio del codificatore video

Il codificatore video viene fornito con un kit di montaggio contenente viti e tasselli per il montaggio del codificatore video a parete:

1. Posizionare il codificatore video sulla parete e contrassegnare la posizione dei quattro fori di montaggio (vedere *pagina 52*) da usare per il fissaggio del codificatore video.
2. Rimuovere il codificatore video e realizzare i quattro fori di montaggio.
3. Inserire i tasselli nella parete, posizionare il codificatore video e fissarlo alla parete con le viti fornite.

Nota

I cuscinetti di protezione forniti possono essere utilizzati per evitare di graffiare la superficie su cui viene collocato il codificatore video. Estrarre i cuscinetti e applicarli alla base del codificatore video.

IT

Collegare i cavi

1. Collegare il codificatore alla rete mediante un cavo di rete schermato. vedere le sezioni che seguono per PoE.
2. Collegare gli altri dispositivi di input/output esterni (opzionali) come eventuali sistemi di allarme. Per informazioni sui pin del connettore terminale, vedere *pagina 58*.
3. Collegare, facoltativamente, l'altoparlante attivo e/o il microfono esterno.
4. Collegare la telecamera all'ingresso video.
5. Se l'unità è alimentata dall'ingresso CC, collegare l'alimentatore per interni fornito in dotazione o l'alimentatore esterno. Fare riferimento alla nota seguente.
6. Verificare che gli indicatori LED indichino le condizioni di funzionamento corrette. Per informazioni sugli indicatori LED, vedere *pagina 57*.

Nota

- L'unità può essere alimentata tramite l'ingresso di alimentazione CC o PoE (Power over Ethernet).
- Per alimentare l'unità tramite l'ingresso CC, collegare l'alimentatore al connettore di alimentazione sul retro dell'unità.
- Per alimentare l'unità tramite PoE, collegare un cavo di rete PoE.

Modalità di accesso al dispositivo

Per trovare i dispositivi Axis sulla rete e assegnare loro un indirizzo IP in Windows®, utilizza AXIS IP Utility o AXIS Device Manager. Queste applicazioni sono entrambe gratuite e possono essere scaricate dal sito Web axis.com/support

AXIS Q7411 Video Encoder

Per ulteriori informazioni sull'utilizzo del dispositivo, consultare il Manuale per l'utente disponibile sul sito Web all'indirizzo: axis.com

Modalità di ripristino dei valori predefiniti di fabbrica

Importante

Il ripristino dei valori predefiniti di fabbrica deve essere utilizzato con cautela. Tale operazione consentirà di ripristinare i valori predefiniti di fabbrica per tutte le impostazioni, incluso l'indirizzo IP.

Per ripristinare il dispositivo ai valori predefiniti di fabbrica:

1. Scollegare l'alimentazione dal dispositivo.
2. Tenere premuto il pulsante di comando e ricollegare l'alimentazione.
3. Tenere premuto il pulsante di comando per 15-30 secondi fino a quando l'indicatore LED di stato lampeggerà in giallo.
4. Rilasciare il pulsante di comando. Il processo è completo quando l'indicatore del LED di stato diventerà verde. Il dispositivo è stato reimpostato alle impostazioni di fabbrica predefinite. Se nessun server DHCP è disponibile in rete, l'indirizzo IP predefinito è 192.168.0.90.
5. Mediante gli strumenti per l'installazione e la gestione del software, assegnare un indirizzo IP, impostare la password e accedere al flusso video.

Gli strumenti per l'installazione e la gestione del software sono disponibili nelle pagine dedicate all'assistenza sul sito Web axis.com/support

È anche possibile reimpostare i parametri ai valori predefiniti di fabbrica mediante l'interfaccia Web. Andare a **Setup > System Options > Maintenance (Configurazione > Opzioni di sistema > Manutenzione)** e fare clic su **Default (Predefinito)**.

Ulteriori Informazioni

- Per la versione più recente di questo documento, visitare il sito all'indirizzo *axis.com*
- Il manuale per l'utente è disponibile all'indirizzo *axis.com*
- Per verificare se sono stati pubblicati aggiornamenti del firmware per il proprio dispositivo, vedere *axis.com/support*
- Per servizi di formazione utili e webinar, visita il sito *axis.com/academy*

Accessori opzionali

Per un elenco completo degli accessori disponibili per questo dispositivo, andare alla pagina del dispositivo al sito *axis.com* e selezionare Software e accessori.

Specifiche

Per la versione più aggiornata della scheda tecnica del dispositivo, visitare il sito Web axis.com e trovare la sezione **Support & Documentation (Supporto e documentazione)**.

Indicatori LED

LED	Colore	Indicazione
Rete	Verde	Luce fissa per connessione di rete a 100/1000 MBit/s. Luce lampeggiante: attività di rete.
	Giallo	Luce fissa per connessione di rete a 10 MBit/s. Luce lampeggiante: attività di rete.
	Spento	Assenza di connessione.
Stato	Verde	Luce verde fissa: condizioni di normale utilizzo.
	Giallo	Luce fissa: durante l'avvio o il ripristino delle impostazioni predefinite o della configurazione.
	Rosso	Luce lampeggiante lenta: aggiornamento non riuscito.
Alimentazione	Verde	Funzionamento normale.
	Giallo	Luce lampeggiante verde/gialla: aggiornamento firmware.

IT

Slot per schede di memoria

AVVISO

- Rischio di danneggiamento della scheda di memoria SD. Non utilizzare strumenti appuntiti oppure oggetti metallici e non esercitare eccessiva forza durante l'inserimento o la rimozione della scheda di memoria. Utilizzare le dita per inserire e rimuovere la scheda.
- Rischio di perdita di dati e danneggiamento delle registrazioni. Non rimuovere la scheda di memoria mentre il dispositivo è in funzione. Smontare la scheda di memoria dalle pagine Web del dispositivo prima di rimuoverla.

Questo dispositivo supporta schede microSD/microSDHC/microSDXC.

Visitare axis.com per i consigli sulla scheda SD

Pulsanti

Pulsante di comando

Per l'ubicazione del pulsante di comando, vedere .

AXIS Q7411 Video Encoder

Il pulsante di comando viene utilizzato per:

- Ripristino del dispositivo alle impostazioni predefinite di fabbrica. Consultare *pagina 55*.

Connettori

Connettore BNC

L'ingresso video viene terminato con un connettore coassiale BNC.

Collegare un cavo video coassiale da 75 Ohm; la lunghezza massima consigliata è 250 m.

Nota

Per collegare la sorgente video in parallelo ad altre apparecchiature tramite un adattatore BNC T, disattivare la terminazione dell'uscita impostando l'interruttore di terminazione a 75 Ohm su OFF per evitare di ridurre la qualità d'immagine.

Connettore di rete

Connettore Ethernet RJ45 con Power over Ethernet (PoE+).

Connettore audio

Il dispositivo Axis dispone dei seguenti connettori audio:

- **Ingresso audio (rosa)** - Ingresso audio da 3,5 mm per microfono in mono o segnale mono line-in.
- **Uscita audio (verde)**: uscita audio da 3,5 mm (livello di linea) che può essere connessa a un sistema di indirizzo pubblico (PA) o a un altoparlante attivo con amplificatore integrato. Si consiglia di utilizzare un connettore stereo per l'uscita audio.

Connettori audio da 3,5 mm



	1 Punta	2 Anello	3 Guaina
Ingresso audio			Terra
Uscita audio	Uscita linea, mono	Uscita linea, mono	Terra

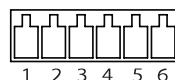
Connettore I/O

Utilizzare il connettore I/O con dispositivi esterni in combinazione con, ad esempio, rilevamento movimento, attivazione di eventi e notifiche di allarme. Oltre al punto di riferimento 0 V CC e all'alimentazione (uscita CC), il connettore I/O fornisce l'interfaccia per:

Ingresso digitale – Per il collegamento di dispositivi che possono passare dal circuito chiuso al circuito aperto, ad esempio i sensori PIR, i contatti porta/finestra e i rilevatori di rottura.

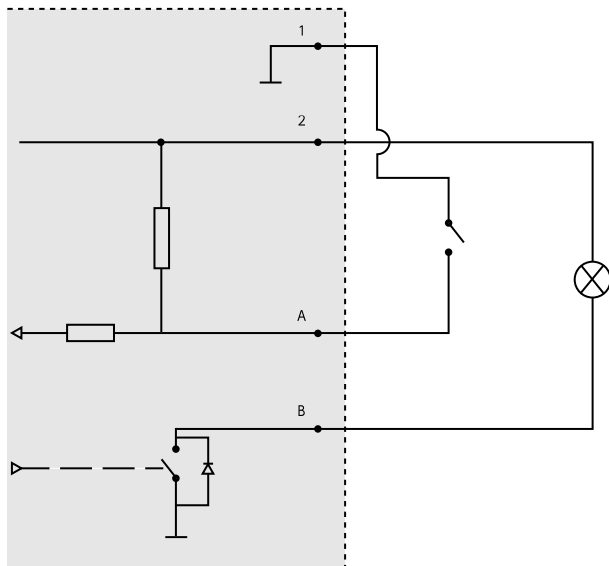
Uscita digitale – Per il collegamento di dispositivi esterni come relè e LED. I dispositivi collegati possono essere attivati tramite l'API (interfaccia per la programmazione di applicazioni) VAPIX® oppure dalla pagina Web del dispositivo.

Morsettiera a 6 pin configurabile



IT

Funzione	Pin	Note	Specifiche
0 V CC (-)	1		0 V CC
Uscita CC	2	Può essere utilizzato per alimentare una periferica ausiliaria. Nota: usare questo pin solo come uscita alimentazione.	3,3 V CC Carico massimo = 250 mA
Configurabile (ingresso o uscita)	3-6	Ingresso digitale - collegare al pin 1 per attivarlo oppure lasciarlo isolato (scollegato) per disattivarlo.	da 0 a max 40 V CC
		Uscita digitale - Collegare al pin 1 quando attiva, isolata (scollegata) quando inattiva. Se utilizzata con un carico induttivo, ad esempio un relè esterno, è necessario collegare un diodo in parallelo al carico per proteggere il dispositivo da sovratensioni.	Da 0 a max 40 V CC, open-drain, 100 mA



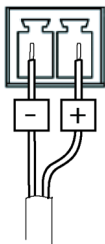
- 1 0 V CC (-)
- 2 Uscita CC 3,3 V, max 250 mA
- A I/O configurato come ingresso
- B I/O configurato come uscita

Connettore di alimentazione

Morsettiera a 2 pin utilizzata per l'ingresso dall'adattatore di alimentazione fornito o da un alimentatore esterno.

Gli alimentatori esterni utilizzabili sono i seguenti:

1. La confezione contiene un alimentatore
2. una fonte di alimentazione limitata da 8-28 V CC con un'uscita massima corrente di 1A.



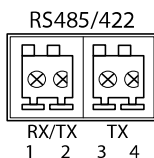
Funzione	Numero Pin	Descrizione
GND	1	Massa
Alimentazione CC	2	Ingresso alimentazione 8-28 V CC max 5,3 W

Connettore RS485/RS422

Due morsettiere a 2 pin per l'interfaccia seriale RS485/RS422 utilizzate per il controllo di periferiche ausiliarie come i dispositivi di rotazione/inclinazione.

La porta seriale può essere configurata per supportare:

- RS485 a due fili, half-duplex
- RS485 a quattro fili, full-duplex
- RS422 a due fili, simplex
- Comunicazione full-duplex punto a punto con RS422 a quattro fili



Funzione	Pin	Note
RS485/RS422 RX/TX A	1	(RX) Per RS485/RS422 full duplex (RX/TX) Per RS485 half duplex
RS485/RS422 RX/TX B	2	
RS485/RS422 TX A	3	(TX) Per RS485/RS422 full-duplex
RS485/RS422 TX B	4	

Informazioni di sicurezza

Livelli di pericolo

▲PERICOLO

Indica una situazione pericolosa che, se non evitata, provoca morte o lesioni gravi.

▲AVVERTENZA

Indica una situazione pericolosa che, se non evitata, potrebbe provocare la morte o lesioni gravi.

▲ATTENZIONE

Indica una situazione pericolosa che, se non evitata, potrebbe provocare lesioni medie o minori.

AWISO

Indica una situazione che, se non evitata, potrebbe danneggiare la proprietà.

IT

Altri livelli di messaggio

Importante

Indica informazioni importanti, essenziali per il corretto funzionamento del dispositivo.

Nota

Indica informazioni utili che aiutano a ottenere il massimo dal dispositivo.

Informazioni di sicurezza

⚠AVVERTENZA

Il dispositivo Axis deve essere installato da un professionista qualificato, in conformità alle leggi e alle disposizioni locali.

AWISO

- Il dispositivo Axis deve essere utilizzato in conformità alle leggi e alle normative locali.
- Conservare il dispositivo Axis in un ambiente asciutto e ventilato.
- Evitare di esporre il dispositivo Axis a urti o pressioni eccessive.
- Utilizzare solo strumenti applicabili quando si installa il dispositivo Axis. Se si utilizza una forza eccessiva con strumenti non adatti è possibile causare danni al dispositivo.
- Utilizzare solo accessori compatibili con le specifiche tecniche del dispositivo. Questi possono essere forniti da Axis o da terze parti. Axis consiglia l'uso dell'apparecchiatura di alimentazione Axis compatibile con il dispositivo.
- Utilizzare solo parti di ricambio fornite o consigliate da Axis.
- Non tentare di riparare il dispositivo da soli. Contattare l'assistenza o il rivenditore Axis per questioni relative alla manutenzione.

Trasporto

AWISO

- Durante il trasporto del dispositivo Axis, utilizzare l'imballaggio originale o equivalente per evitare danni al dispositivo.

Batteria

Il dispositivo Axis utilizza una batteria al litio da 3,0 V BR2032 come alimentazione per il suo real-time clock (RTC) interno. In condizioni normali questa batteria avrà una durata minima di cinque anni.

Una bassa carica della batteria influisce sul funzionamento del RTC, facendolo resettare a ogni accensione. Quando la batteria deve essere sostituita, un messaggio di registro viene visualizzato nel report server del dispositivo. Per ulteriori informazioni sul report server, vedere la pagina Web del dispositivo o contattare l'assistenza Axis.

Le batterie a bottone al litio da 3 V contengono 1,2-dimetossietano; etere dimetilico di glicole etilenico (EGDME), CAS n. 110-71-4.

⚠AVVERTENZA

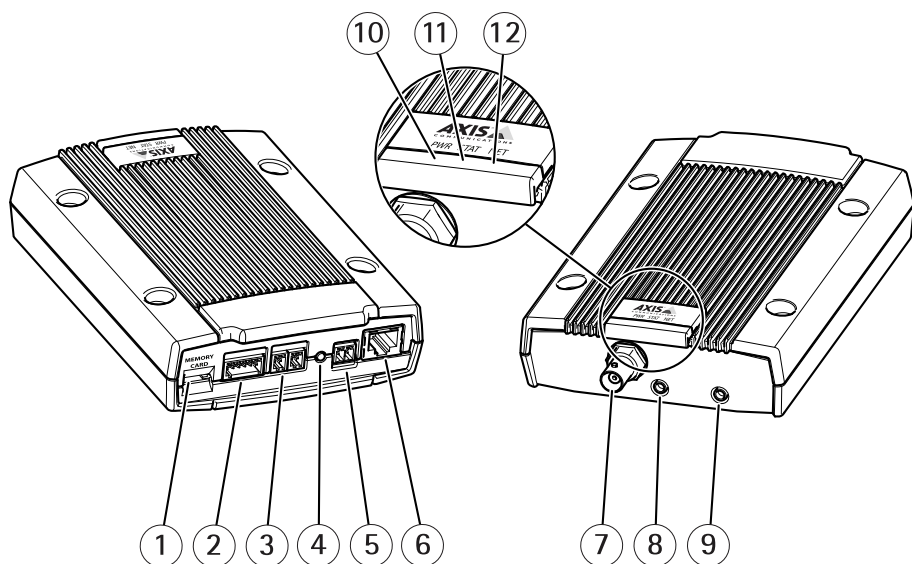
- Rischio di esplosione se la batteria viene sostituita in modo errato.
- La batteria può essere sostituita solo con una batteria identica.

- Le batterie devono essere smaltite in base alle normative locali o alle istruzioni del produttore della batteria.

Contenido del paquete

- AXIS Q7411
- Adaptador de alimentación
- Kit de montaje
 - 4 tornillos y tacos para montar el codificador en una pared de cemento
 - 4 almohadillas de protección para superficie
 - Bloque de terminal de conectores (I/O: conector 6 pines, RS-485/422: 2X conector 2 pines)
- Materiales impresos
 - Guía de instalación (este documento)

Información general del producto



- 1 Tarjeta de memoria
- 2 Conector de E/S
- 3 Conector RS485/422
- 4 Botón de control
- 5 Conector de alimentación
- 6 Conector de red
- 7 Entrada de vídeo
- 8 Entrada de audio
- 9 Salida de audio
- 10 LED de alimentación
- 11 LED de estado
- 12 LED de red

Cómo instalar el producto

Instalación del hardware

Montaje del codificador de vídeo

El codificador de vídeo se suministra con un kit de montaje que contiene tornillos y tacos para montar el codificador de vídeo en una pared de cemento:

1. Coloque el codificador de vídeo contra la pared y marque la ubicación de los cuatro orificios de montaje (vea *página 68*) mediante los cuales se fijará el codificador de vídeo.
2. Desmonte el codificador de vídeo y taladre los cuatro orificios de montaje.
3. Introduzca en la pared los tacos para pared, coloque el codificador de vídeo y fíjelo a la pared utilizando los tornillos que se incluyen.

Nota

Las almohadillas protectoras suministradas se pueden utilizar para evitar que se arañe la superficie donde lo coloque. Perfore las almohadillas y colóquelas en la parte inferior del codificador de vídeo.

ES

Conexión de los cables

1. Conecte el codificador a la red mediante un cable de red blindado. Si se utiliza PoE, vea la siguiente nota.
2. Si lo desea, conecte dispositivos de entrada/salida externos, como dispositivos de alarma. Para obtener información sobre los pines del conector del terminal, vea *página 74*.
3. Si lo desea, conecte un altavoz activo o un micrófono externo.
4. Conecte la cámara a la entrada de vídeo.
5. Si alimenta la unidad con la entrada de CC, conecte el adaptador de corriente para interior suministrado o una fuente de alimentación externa. Vea la siguiente nota.
6. Compruebe que los indicadores LED informan de las condiciones correctas. Consulte *página 73* para obtener información sobre los indicadores LED.

Nota

- La unidad puede recibir alimentación mediante una entrada de alimentación de CC o de PoE (alimentación a través de Ethernet).
- Si se alimenta la unidad con CC, conecte la fuente de alimentación al conector de alimentación situado en la parte posterior de la unidad.
- Si alimenta la unidad mediante PoE, conecte un cable de red PoE.

Cómo acceder al producto

Para localizar dispositivos de Axis en la red y asignarles direcciones IP en Windows®, utilice AXIS IP Utility o AXIS Device Manager. Ambas aplicaciones son gratuitas y pueden descargarse desde axis.com/support

AXIS Q7411 Video Encoder

Para obtener más información sobre el uso del producto, consulte el manual del usuario, disponible en axis.com.

Cómo restablecer la configuración predeterminada de fábrica

Importante

Es preciso tener cuidado si se va a restablecer la configuración predeterminada de fábrica. Todos los valores, incluida la dirección IP, se restablecerán a la configuración predeterminada de fábrica.

Para restablecer el producto a la configuración predeterminada de fábrica:

1. Desconecte la alimentación del producto.
2. Mantenga pulsado el botón de control y vuelva a conectar la alimentación.
3. Mantenga pulsado el botón de control durante 15-30 segundos hasta que el indicador LED de estado parpadee en ámbar.
4. Suelte el botón de control. El proceso finaliza cuando el indicador LED de estado se pone verde. El producto se ha restablecido a la configuración predeterminada de fábrica. Si no hay ningún servidor DHCP disponible en la red, la dirección IP predeterminada es 192.168.0.90.
5. Utilice las herramientas del software de instalación y gestión para asignar una dirección IP, establecer la contraseña y acceder a la transmisión de vídeo.

Las herramientas de software de instalación y gestión están disponibles en las páginas de servicio técnico en axis.com/support

También es posible restablecer los parámetros a los valores predeterminados de fábrica mediante la interfaz web. Vaya a **Setup > System Options > Maintenance (Configuración > Opciones del sistema > Mantenimiento)** y haga clic en **Default (Predeterminado)**.

Más información

- Para consultar la versión más reciente de este documento, vaya a axis.com.
- El manual de usuario se encuentra disponible en axis.com.
- Para comprobar si existe un firmware actualizado disponible para su dispositivo, vaya a axis.com/support.
- Para consultar webinars y cursos en línea que pueden resultarle útiles, vaya a axis.com/academy.

Accesorios opcionales

Para conocer una lista completa de los accesorios disponibles para este producto, vaya a la página de productos en axis.com y seleccione Software y accesorios.

Especificaciones

Para acceder a la versión más reciente de la hoja de datos del producto, visite la página del producto en axis.com y localice **Support & Documentation** (Soporte técnico y documentación).

Indicadores LED

LED	Color	Indicación
Red	Verde	Fijo para indicar una conexión a una red de 100/1000 Mbits/s. Parpadea cuando hay actividad de red.
	Ámbar	Fijo para indicar una conexión a una red de 10 Mbits/s. Parpadea cuando hay actividad de red.
	Apagado	No hay conexión a la red.
Estado	Verde	Verde fijo para indicar un funcionamiento normal.
	Ámbar	Fijo durante el inicio, durante el restablecimiento de la configuración predeterminada de fábrica y la restauración de valores de configuración.
	Rojo	Parpadea despacio si se ha producido un error en una actualización.
Alimentación	Verde	Funcionamiento normal.
	Ámbar	Parpadea en verde/ámbar durante la actualización del firmware.

ES

Ranura para tarjetas SD

AVISO

- Riesgo de daños en la tarjeta SD. No emplee herramientas afiladas, objetos de metal ni demasiada fuerza al insertar o extraer la tarjeta SD. Utilice los dedos para insertar o extraer la tarjeta.
- Riesgo de pérdida de datos y grabaciones dañadas. No extraiga la tarjeta SD mientras el producto esté en funcionamiento. Desinstale la tarjeta SD desde la página web de producto antes de retirarla.

Este producto admite tarjetas microSD/microSDHC/microSDXC.

Para conocer las recomendaciones sobre tarjetas SD, consulte axis.com.

Botones

Botón de control

Para conocer la ubicación del botón de control, consulte .

AXIS Q7411 Video Encoder

El botón de control se utiliza para lo siguiente:

- Restablecer el producto a la configuración predeterminada de fábrica. Consulte *página 71*.

Conectores

Conector BNC

Las entradas de video se terminan con un conector coaxial/BNC.

Conecte un cable coaxial de video de 75 Ohm; la longitud máxima recomendada es de 250 m (800 ft).

Nota

Si la fuente de video está conectada en paralelo con otros equipos que emplean un adaptador BNC T, deshabilite la entrada ajustando el interruptor de la terminación de 75 Ohm en OFF a fin de evitar una calidad de imagen inferior.

Conector de red

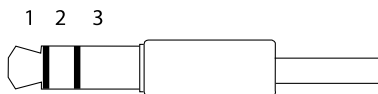
Conector Ethernet RJ45 con alimentación a través de Ethernet (PoE).

Conector de audio

El producto de Axis integra los siguientes conectores de audio:

- **Entrada de audio (rosa):** entrada de 3,5 mm para micrófono mono, o entrada de línea de señal mono.
- **Salida de audio (verde):** salida para audio (nivel de línea) de 3,5 mm que se puede conectar a un sistema de megafonía pública o a un altavoz con amplificador incorporado. Recomendamos utilizar un conector estéreo para la salida de audio.

Conectores de audio de 3,5 mm



	1 Punta	2 Anillo	3 Manguito
Entrada de audio			Tierra
Salida de audio	Salida de línea (mono)	Salida de línea (mono)	Tierra

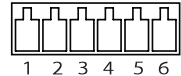
Conector de E/S

Utilice el conector de E/S con dispositivos externos en combinación con detección de movimiento, activación de eventos y notificaciones de alarma, por ejemplo. Además del punto de referencia de 0 V CC y la alimentación (salida de CC), el conector de E/S ofrece una interfaz para:

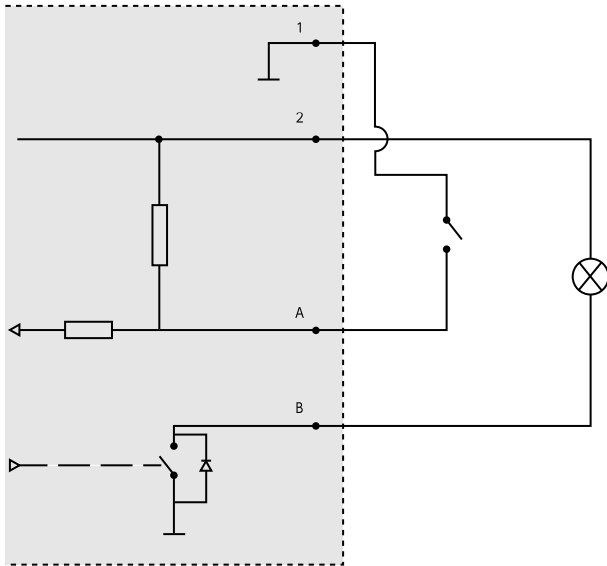
Entrada digital – Conectar dispositivos que puedan alternar entre circuitos cerrados y abiertos, por ejemplo, sensores PIR, contactos de puertas y ventanas o detectores de cristales rotos.

Salida digital – Conectar dispositivos externos como relés y LED. Los dispositivos conectados se pueden activar mediante la interfaz de programación de aplicaciones VAPIX® o desde la página web del producto.

Bloque de terminales configurable de 6 pines



Función	Pin	Notas	Especificaciones
0 V CC (-)	1		0 V CC
Salida de CC	2	Se puede utilizar para conectar el equipo auxiliar. Nota: Este pin solo se puede utilizar como salida.	3,3 V CC Carga máx. = 250 mA
Configurable (entrada o salida)	3–6	Entrada digital: Conectar al pin 1 para activarla o dejarla suelta (o desconectada) para desactivarla.	0 a 40 V CC máx.
		Salida digital: Conectada al pin 1 cuando se activa y suelta (sin conectar) cuando está desactivada. Si se utiliza con una carga inductiva (por ejemplo, un relé), debe conectarse un diodo en paralelo a la carga como protección ante transitorios de tensión.	De 0 a 40 V CC máx., colector abierto, 100 mA



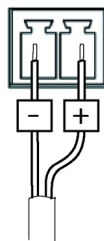
- 1 0 V CC (-)
- 2 Salida de CC 3,3 V, 250 mA máx.
- A E/S configurada como entrada
- B E/S configurada como salida

Conector de alimentación

El bloque de terminales de 2 pines se utiliza para la entrada de alimentación desde el adaptador de corriente suministrado o una fuente de alimentación externa.

Las alternativas de fuente de alimentación externa son:

1. la fuente de alimentación incluida en el paquete;
2. una fuente de alimentación limitada externa de 8-28 V CC con una corriente de salida máxima de 1 A.



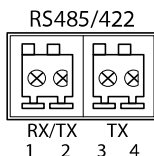
Función	Número de pin	Descripción
GND	1	Masa
Alimentación de CC	2	Entrada de alimentación de 8-28 V CC 5,3 W máx.

Conector RS485/RS422

Dos bloques de terminales de 2 pines para la interfaz serie RS485/RS422 usada para controlar equipos auxiliares, como dispositivos de movimiento horizontal/vertical.

El puerto serie puede configurarse para admitir:

- Semidúplex RS485 de dos cables
- Dúplex completo RS485 de cuatro cables
- Símples RS422 de dos cables
- Dúplex completo RS422 de cuatro cables para comunicación dúplex punto a punto



Función	Pin	Notas
RS485/RS422 RX/TX A	1	(RX) para dúplex completo RS485/RS422 (RX/TX) para semidúplex RS485
RS485/RS422 RX/TX B	2	
RS485/RS422 TX A	3	(TX) para dúplex completo RS485/RS422
RS485/RS422 TX B	4	

Información de seguridad

Niveles de peligro

▲PELIGRO

Indica una situación peligrosa que, si no se evita, provocará lesiones graves o la muerte.

▲ADVERTENCIA

Indica una situación peligrosa que, si no se evita, puede provocar lesiones graves o la muerte.

▲ATENCIÓN

Indica una situación peligrosa que, si no se evita, puede provocar lesiones moderadas o leves.

AVISO

Indica una situación peligrosa que, si no se evita, puede provocar daños materiales.

ES

Otros niveles de mensaje

Importante

Indica información importante que es fundamental para que el producto funcione correctamente.

Nota

Indica información útil que ayuda a aprovechar el producto al máximo.

Instrucciones de seguridad

⚠ADVERTENCIA

El producto de Axis debe instalarlo un profesional formado conforme las leyes y normativas locales.

AVISO

- Este producto de Axis debe utilizarse de acuerdo con las leyes y normativas locales.
- Almacene el producto de Axis en un entorno seco y ventilado.
- Evite la exposición del producto de Axis a choques o a una fuerte presión.
- Utilice solo las herramientas correspondientes cuando instale el producto de Axis. La aplicación de una fuerza excesiva con herramientas eléctricas puede provocar daños en el producto.
- Utilice solo accesorios que cumplan con las especificaciones técnicas de su producto. Estos accesorios los puede proporcionar Axis o un tercero. Axis recomienda utilizar un equipo de suministro de alimentación de Axis compatible con su producto.
- Utilice solo piezas de repuesto proporcionadas o recomendadas por Axis.
- No intente reparar el producto usted mismo. Póngase en contacto con el servicio de asistencia técnica de Axis o con su distribuidor de Axis para tratar asuntos de reparación.

Transporte

AVISO

- Cuando transporte el producto de Axis, utilice el embalaje original o un equivalente para evitar daños en el producto.

Batería

Este producto de Axis utiliza una batería de litio BR2032 de 3,0 V como fuente de alimentación del reloj interno en tiempo real. En condiciones normales, esta batería durará un mínimo de cinco años.

Un nivel bajo de batería afectará al funcionamiento del reloj en tiempo real, lo que provocará el restablecimiento de este cada vez que se encienda el producto. Cuando sea necesario sustituir la batería, aparecerá un mensaje de registro en el informe del servidor del producto. Para obtener más información sobre el informe del servidor, consulte la página web del producto o póngase en contacto con el soporte técnico de Axis.

Las pilas de botón de litio de 3,0 V contienen 1,2-dimetoxietano; éter dimetilico de etilenglicol (EGDME), n.º CAS 110-71-4.

⚠ADVERTENCIA

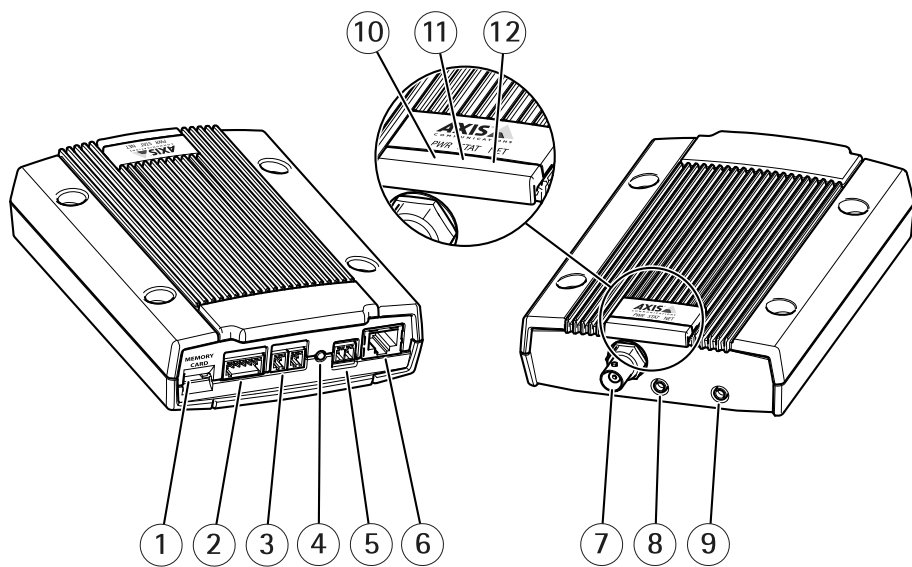
- La sustitución incorrecta de la batería implica riesgo de explosión.
- La batería solo debe sustituirse por una batería idéntica.

- Las baterías usadas deben desecharse de conformidad con la normativa local o las instrucciones del fabricante.

パッケージの内容

- AXIS Q7411
- 電源アダプター
- 取り付けキット
 - コンクリートの壁にエンコーダを取り付けるためのねじとプラグ (×4)
 - 表面保護パッド (×4)
 - ターミナルブロックコネクタ (I/O: 6ピンコネクタ、RS-485/422: 2ピンコネクタ (×2))
- 印刷物
 - インストールガイド (本書)

製品の概要



- 1 メモリーカード
- 2 I/Oコネクタ
- 3 RS485/422コネクタ
- 4 コントロールボタン
- 5 電源コネクタ
- 6 ネットワークコネクタ
- 7 ビデオ入力
- 8 音声入力
- 9 音声出力
- 10 電源LED
- 11 ステータスLED
- 12 ネットワークLED

製品の取り付け方法

ハードウェアの設置

ビデオエンコーダの取り付け

本製品には、ビデオエンコーダをコンクリート壁に取り付けるためのネジとプラグを含む取り付けキットが同梱されています。

1. ビデオエンコーダを壁に当て、壁に、4つの取り付け穴 (84ページ参照) の位置の印を付けます。
2. 4つの取り付け穴を開けます。
3. プラグを壁に差し込み、ビデオエンコーダの位置を合わせ、付属のネジで固定します。

注意

同梱の保護パッドは、ビデオエンコーダの設置箇所に擦り傷を付けないために使用します。パッドを取り出し、ビデオエンコーダの底面に当ててください。

ケーブルを接続します。

1. シールド付きネットワークケーブルを使ってエンコーダをネットワークに接続します。PoEを使用する場合は、下記の注を参照してください。
2. 必要に応じて、アラームデバイスなどの外部入力/出力装置を接続します。ターミナルコネクタのピンの詳細については、90ページを参照してください。
3. 必要に応じて、アクティブスピーカー、外部マイクを接続します。
4. カメラをビデオ入力に接続します。
5. ユニットにDC入力から電力を供給する場合、付属の屋内用電源アダプターまたは外部電源装置を接続します。下記の注を参照してください。
6. LEDインジケーターが正常な状態を示すことを確認します。LEDインジケーターの詳細については、89ページを参照してください。

注意

- 本製品には、DC電源入力またはPoE (Power over Ethernet) を使用して給電を行うことができます。
- DC電源からユニットに電力を供給する場合は、ユニットの背面にある電源コネクタに電源装置を接続します。
- PoEでユニットに電力を供給する場合は、PoEネットワークケーブルを接続します。

製品のアクセス方法

Windows®でネットワーク上のAxisデバイスを見つけて、それらにIPアドレスを割り当てるには、AXIS IP UtilityまたはAXIS Device Managerを使用します。いずれのアプリケーションも無料で、axis.com/supportからダウンロードできます。

製品の使用の詳細については、Axisのホームページ (axis.com) でユーザーズマニュアルを参照してください

工場出荷時の設定にリセットする方法

重要

工場出荷時の設定へのリセットは慎重に行ってください。工場出荷時の設定へのリセットを行うと、IPアドレスを含むすべての設定が工場出荷時の値にリセットされます。

本製品を工場出荷時の設定にリセットするには、以下の手順を実行します。

1. 本製品の電源を切ります。
2. コントロールボタンを押し続けながら電源を再投入します。
3. ステータスLEDインジケーターが黄色に点滅するまで、コントロールボタンを15～30秒間押し続けます。
4. コントロールボタンを離します。プロセスが完了すると、ステータスLEDが緑色に変わります。これで本製品は工場出荷時の設定にリセットされました。ネットワーク上に利用可能なDHCPサーバーがない場合、デフォルトのIPアドレスは192.168.0.90になります。
5. インストール・管理ソフトウェアツールを使用して、IPアドレスの割り当て、パスワードの設定、ビデオストリームへのアクセスを行います。
axis.com/supportのサポートページに、インストールおよび管理ソフトウェアツールが用意されています。

JA

Webインターフェースを使用して、各種パラメーターを工場出荷時の設定に戻すこともできます。[Setup > System Options > Maintenance] (設定 > システムオプション > メンテナンス) を選択し、[Default] (デフォルト) をクリックします。

関連情報

- 本書の最新バージョンについては、axis.comにアクセスしてください。
- ユーザーズマニュアルは、axis.comで入手できます。
- ご使用のデバイスの新しいファームウェアがリリースされていないかを確認するには、axis.com/supportにアクセスしてください。
- 役に立つオンライントレーニングおよびWebセミナーをご用意しております。axis.com/academyをご覧ください。

オプションアクセサリー

本製品で利用可能なすべてのアクセサリーについては、axis.comで本製品のページを開いて「ソフトウェア&アクセサリー」を参照してください。

仕様

最新バージョンの製品のデータシートについては、axis.comで本製品のページを開いて「Support & Documentation (サポートとドキュメント)」へお進みください。

LEDインジケーター

LED	カラー	説明
ネットワーク	緑	100/1000 Mbit/sネットワークに接続している場合、点灯します。ネットワークパケットを送受信した場合、点滅します。
	黄	10 Mbit/sネットワークに接続している場合、点灯します。ネットワークパケットを送受信した場合、点滅します。
	無点灯	ネットワーク接続なし。
状態	緑	正常動作であれば緑色に点灯。
	黄	スタートアップ中または工場出荷時の設定へのリセット中、設定の復元時に黄色に点灯。
	赤	アップグレードに失敗した場合に、ゆっくりと点滅します。
電源	緑	正常動作。
	黄	ファームウェアアップグレード中は緑と黄の交互点滅。

JA

SDカードスロット

注記

- SDカード損傷の危険があります。SDカードの挿入と取り外しの際には、鋭利な工具や金属性の物を使用したり、過剰な力をかけたりしないでください。カードの挿入や取り外しは指で行ってください。
- データ損失や録画データ破損の危険があります。本製品の稼働中はSDカードを取り外さないでください。取り外しの前に、製品のWebページからSDカードをマウント解除してください。

本製品は、microSD/microSDHC/microSDXCカードに対応しています。

推奨するSDカードについては、axis.comを参照してください

ボタン

コントロールボタン

コントロールボタンの位置については、を参照してください。

コントロールボタンは、以下の用途で使用します。

- 製品を工場出荷時の設定にリセットする。87ページを参照してください。

コネクター

BNCコネクタ

ビデオ入力は、同軸/BNCコネクタを使用して終端します。

75Ω同軸ビデオケーブルを使用し、ケーブル長は250 m以下にすることをお勧めします。

注意

BNC Tアダプターを使用してビデオソースを他の機器と平行接続する場合は、75Ω終端スイッチをオフに設定して入力終端を無効にし、画質が低下しないようにします。

ネットワークコネクタ

RJ45イーサネットコネクタ、Power over Ethernet (PoE) 対応。

音声コネクタ

本製品は、以下の音声コネクタを搭載しています。

- **音声入力 (ピンク)** – モノラルマイクロフォンまたはライン入力モノラル信号用3.5 mm入力。
- **音声出力 (緑)** – パブリックアドレス (PA) システムまたはアンプ内蔵アクティブスピーカーに接続可能な3.5 mm音声 (ラインレベル) 出力。音声出力には、ステレオコネクタを使用することをお勧めします。

3.5 mm音声コネクタ



	1 チップ	2 リング	3 スリーブ
音声入力			グラウンド
音声出力	ライン出力、モノラル	ライン出力、モノラル	グラウンド

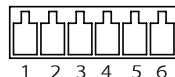
I/Oコネクタ

I/Oコネクタに外部装置を接続し、動体検知、イベントトリガー、アラーム通知などと組み合わせて使用することができます。I/Oコネクタは、0V DC基準点と電力 (DC出力)に加えて、以下のインターフェースを提供します。

デジタル入力 - オープンサーキットとクローズサーキットの切り替えが可能なデバイス (PIRセンサー、ドア/窓の接触、ガラス破損検知器など) を接続するための入力です。

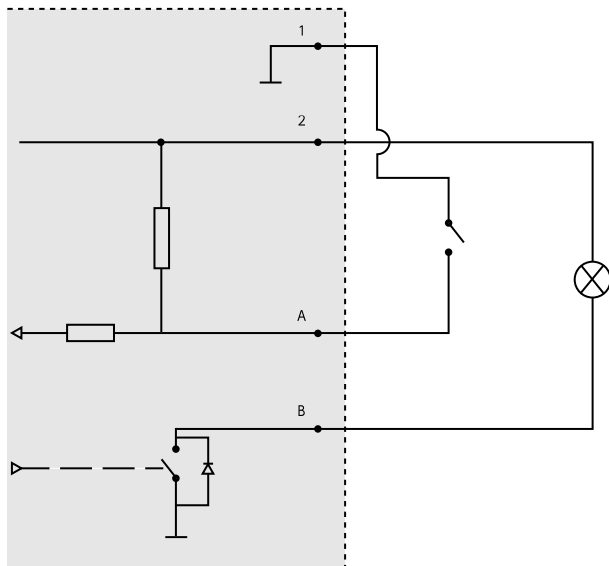
デジタル出力 - リレーやLEDなどの外部デバイスを接続します。接続されたデバイスは、VAPIX®アプリケーションプログラミングインターフェースまたは製品のWebページから有効にすることができます。

設定可能な6ピンターミナルブロック



JA

機能	ピン	備考	仕様
0V DC (-)	1		0V DC
DC出力	2	補助装置の電源供給に使用できます。 注: このピンは、電源出力としてのみ使用できます。	3.3V DC 最大負荷 = 250 mA
設定可能 (入力または出力)	3-6	デジタル入力 - 動作させるにはピン1に接続し、動作させない場合はフロート状態 (未接続) のままにします。	0~40V DC (最大)
		デジタル出力 - 動作させるにはピン1に接続し、動作させない場合はフロート状態 (未接続) にします。誘導負荷 (例: リレー) とともに使用する場合は、過渡電圧から保護するため、ダイオードを負荷と並列に接続する必要があります。	0~40V DC (最大)、 オープンドレイン、 100 mA



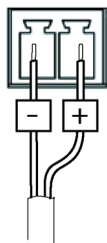
- 1 0VDC (-)
- 2 DC出力3.3V、最大250mA
- A I/O (入力として設定)
- B I/O (出力として設定)

電源コネクタ

2ピンターミナルブロックを使用して同梱の電源アダプターまたは外部電源による電源入力を行います。

以下の外部電源を使用することができます。

1. パッケージに含まれている電源アダプター
2. 最大出力電流1Aの8~28VDC制限外部電源



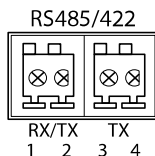
機能	ピン番号	説明
GND	1	グラウンド
DC電源	2	電源入力8~28 V DC 最大5.3 W

RS485/RS422 コネクター

パン/チルトデバイスなど補助装置の制御に使用する、RS485/RS422シリアルインターフェース用の2ピンターミナルブロック×2。

シリアルポートの設定により、次のモードをサポート可能。

- 2ワイヤーRS485半二重
- 4ワイヤーRS485全二重
- 2ワイヤーRS422単方向
- 4ワイヤーRS422全二重ポイントツーポイント通信



機能	ピン	備考
RS485/RS422 RX/TX A	1	(RX) 全二重RS485/RS422用 (RX/TX) 半二重RS485用
RS485/RS422 RX/TX B	2	
RS485/RS422 TX A	3	(TX) 全二重RS485/RS422用
RS485/RS422 TX B	4	

安全情報

危険レベル

▲危険

回避しない場合、死亡または重傷につながる危険な状態を示します。

▲警告

回避しない場合、死亡または重傷につながるおそれのある危険な状態を示します。

▲注意

回避しない場合、軽傷または中程度の怪我につながるおそれのある危険な状態を示します。

注記

回避しない場合、器物の破損につながるおそれのある状態を示します。

その他のメッセージレベル

重要

製品を正しく機能させるために不可欠な重要情報を示します。

注意

製品を最大限に活用するために役立つ有用な情報を示します。

安全手順

▲警告

本製品の設置は、お使いになる地域の法律や規制に準拠して、訓練を受けた専門技術者が行ってください。

注記

- 本製品は、お使いになる地域の法律や規制に準拠して使用してください。
- 本製品は乾燥した換気のよい環境に保管してください。
- 本製品に衝撃または強い圧力を加えないでください。
- 本製品を設置する際には、適切な工具のみを使用してください。電動工具を使用して過剰な力をかけると、製品が損傷することがあります。
- 製品の技術仕様に準拠したアクセサリのみを使用してください。これらのアクセサリは、Axisまたはサードパーティから入手できます。Axisは、ご使用の製品と互換性のあるAxis給電ネットワークスイッチの使用を推奨します。
- Axisが提供または推奨する交換部品のみを使用してください。
- 製品を自分で修理しないでください。修理については、Axisサポートまたは販売代理店にお問い合わせください。

輸送

注記

- 本製品を運搬する際は、製品が損傷しないよう、元の梱包が同等の梱包を使用してください。

バッテリー

本製品は、内部リアルタイムクロック (RTC) 用電源として、3.0 V BR2032リチウムバッテリーを使用します。このバッテリーは、通常条件下で最低5年間使用できます。

バッテリーが低電力状態になると、RTCの動作に影響し、電源を入れるたびにRTCがリセットされます。バッテリーの交換が必要になると、製品のサーバーレポートにログメッセージが表示されます。サーバーレポートの詳細については、製品のWebページを参照するか、Axisサポートまでお問い合わせください。

リチウムコイン型3.0V電池は、1,2-ジメトキシエタン (エチレングリコールジメチルエーテル (EGDME)、CAS番号110-71-4) を含有しています。

▲警告

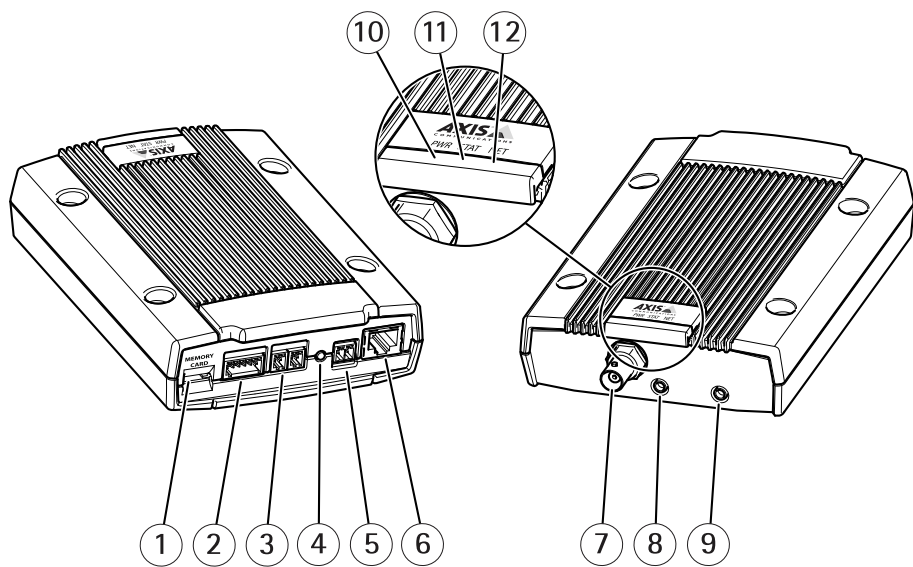
- バッテリーは、正しく交換しないと爆発する危険があります。
- バッテリーを交換する場合は、同一品のみを使用してください。

- 使用済みバッテリーは、地域の規制またはバッテリーメーカーの指示に従って廃棄してください。

包装内容

- AXIS Q7411
- 电源适配器
- 安装套件
 - 4 个用于将编码器安装至混凝土墙的螺丝和墙塞
 - 4 块表面保护垫
 - 接线盒连接器 (I/O: 6 针连接器, RS-485/422: 2 个 2 针连接器)
- 印刷材料
 - 安装指南 (本文档)

产品概述



- 1 内存卡
- 2 I/O 连接器
- 3 RS485/422 连接器
- 4 控制按钮
- 5 电源连接器
- 6 网络连接器
- 7 视频输入
- 8 音频输入
- 9 音频输出
- 10 电源 LED
- 11 状态 LED
- 12 网络 LED

如何安装产品

安装硬件

安装视频编码器

视频编码器与包含螺丝和墙塞等用于将视频编码器安装至混凝土墙的安装套件一同提供：

1. 使视频编码器紧靠墙壁，并标记四个安装孔（参见 [第100页](#)）的位置，将通过这四个安装孔连接视频编码器。
2. 取下视频编码器并钻四个安装孔。
3. 将墙塞插入墙壁中，定位视频编码器并使用提供的螺丝将其安装至墙壁。

备注

提供的保护垫可用于避免刮擦放置视频编码器的表面。冲压出保护垫并将其用于视频编码器底部。

连接电缆

1. 使用一根屏蔽网络电缆将编码器连接至网络。如果要使用 PoE，请参见以下说明。
2. 可视情况连接外部 I/O 设备，如报警设备。请参见 [第105页](#) 以了解有关端子连接器销的信息。
3. 可视情况连接一个有源扬声器和/或外接麦克风。
4. 将摄像机连接至视频输入。
5. 如果要使用 DC 输入给装置供电，则连接提供的室内电源适配器或一个外部电源。请参见以下说明。
6. 检查 LED 指示灯是否指示正确的状态。请参见 [第104页](#) 以了解有关 LED 指示灯的信息。

备注

- 可使用 DC 电源输入或 PoE（以太网供电）给装置供电。
- 如果要使用 DC 电源给装置供电，则将电源连接至装置后部上的电源连接器。
- 如果要使用 PoE 给装置供电，则连接一根 PoE 网络电缆。

如何访问产品

若要在网络中查找安讯士设备并为它们分配 Windows® 中的 IP 地址，请使用 AXIS IP Utility 或 AXIS 设备管理器。这两种应用程序都是免费的，可以从 axis.com/support 上进行下载

有关使用产品的更多信息，请参阅 axis.com 上提供的用户手册

如何重置为出厂默认设置

重要

重置为出厂默认设置时应谨慎。重置为出厂默认设置会将所有设置（包括 IP 地址）重置为出厂默认设置。

将产品重置为出厂默认设置：

1. 断开产品电源。
2. 按住控制按钮并重新连接电源。
3. 按住控制按钮 15–30 秒，直到状态 LED 指示灯呈淡黄色闪烁。
4. 松开控制按钮。当状态 LED 指示灯变绿时，此过程完成。产品已重置为出厂默认设置。如果网络上没有可用的 DHCP 服务器，则默认 IP 地址为 192.168.0.90
5. 使用安装和管理软件工具分配 IP 地址、设置密码和访问视频流。

安装和管理软件工具可在 axis.com/support 的支持页上获得

也可通过网页界面将参数重置为出厂默认设置。转到 **Setup > System Options > Maintenance (设置 > 系统选项 > 维护)**，然后单击 **Default (默认)**。

更多信息

- 有关本文档的最新版本，请参见 axis.com
- 用户手册可从 axis.com 获取
- 要检查是否有设备的可用更新固件，请参见 axis.com/support
- 如需有用的在线培训和在线研讨会，请参见 axis.com/academy

可选附件

欲查看本产品可用附件的完整列表，请转到 axis.com 上的产品页并选择“软件和附件”。

规格

要查找最新版本的产品数据表，请转到 axis.com 上的产品页并查找 **支持和文档**。

LED 指示灯

LED	颜色	指示
网络	绿色	稳定表示连接到 100/1000 MBit/s 网络。闪烁表示网络活动。
	淡黄色	稳定表示连接到 10 MBit/s 网络。闪烁表示网络活动。
	不亮	没有网络连接。
状态	绿色	稳定绿色表示正常工作。
	淡黄色	在启动期间、重置为出厂默认设置过程中或在还原设置时稳定。
	红色	缓慢闪烁表示升级失败。
电源	绿色	正常工作。
	淡黄色	在固件升级过程中呈绿色/淡黄色闪烁。

SD 卡插槽

注意

- 损坏 SD 卡的风险。插入或取出 SD 卡时，请勿使用锋利的工具、金属物体或过大力气。使用手指插入和取出该卡。
- 数据丢失和录制内容损坏的风险。产品正在运行时，请勿取出 SD 卡。在取出 SD 卡之前，请先从产品的网页上卸载 SD 卡。

本产品支持 microSD/microSDHC/microSDXC 卡。

有关 SD 卡的建议，请参见 axis.com

按钮

控制按钮

有关控制按钮的位置，请参见。

控制按钮用于：

- 将产品重置为出厂默认设置。请参见 [第102页](#)。

接口

BNC 连接器

使用一个同轴电缆/BNC 连接器终止视频输入。

连接一根 75 欧姆的同轴视频电缆；建议最长为 250 米（800 英尺）。

备注

如果使用一个 BNC T 型适配器将视频源与其他设备以并联方式连接，则通过将 75 欧姆终端开关设置为“关闭”来禁用输入终端，从而避免图像质量降低。

网络连接器

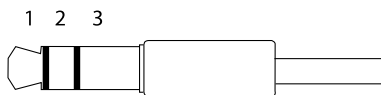
采用以太网供电 (PoE) 的 RJ45 以太网连接器。

音频连接器

安讯士产品具有以下音频连接器：

- **音频输入（粉色）** – 3.5 毫米输入，用于单声道麦克风或线路输入单声道信号。
- **音频输出（绿色）** – 用于音频（线路级）的 3.5 毫米输出，可连接到公共地址 (PA) 系统或带有内置放大器的有源扬声器。建议将立体声连接器用于音频输出。

3.5 毫米音频连接器



	1 尖部	2 中间环	3 尾段
音频输入			接地
音频输出	线路输出，单声道	线路输出，单声道	接地

I/O 连接器

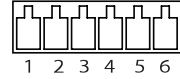
在外部设备结合了移动侦测、事件触发和报警通知等功能的情况下，使用 I/O 连接器。除 0 V DC 参考点和电源（DC 输出）外，I/O 连接器还提供连接至以下模块的接口：

数字输入 – 用于连接可在开路 and 闭路之间切换的设备，例如 PIR 传感器、门/窗触点和玻璃破碎侦测器。

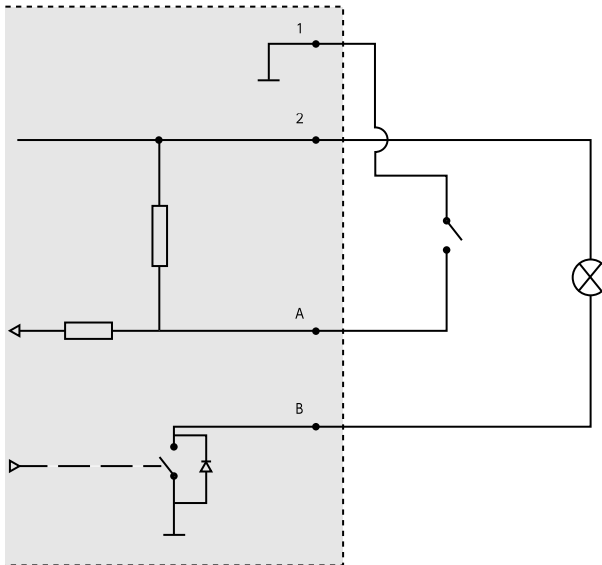
AXIS Q7411 Video Encoder

数字输出 – 用于连接继电器和 LED 等外部设备。已连接的设备可通过 VAPIX® 应用程序编程接口或从产品网页进行激活。

6 针可配置接线端子



功能	针	说明	规格
0 V DC (-)	1		0 V DC
DC 输出	2	可用于为辅助设备供电。 注意：此针只能用作电源输出。	3.3 V DC 最大负载 = 250 mA
可配置（输入或输出）	3-6	数字输入 – 连接至针 1 以启用，或保留浮动状态（断开连接）以停用。	0 至最大 40 V DC
		数字输出 – 启用时连接至针 1，停用时保留浮动状态（断开连接）。如果与电感负载（如继电器）一起使用，二极管必须与负载并联连接，以防止电压瞬变。	0 至最大 40 V DC，开漏，100 mA



1 0 V DC (-)

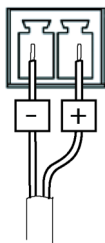
- 2 DC 输出 3.3 V, 最大 250 mA
- A I/O 配置为输入
- B I/O 配置为输出

电源连接器

2 针接线盒用于提供的电源适配器或外部电源上的电源输入。

外部电源替换方案是：

1. 包装中自带的电源
2. 最大输出电流为 1 A 的外部 8–28 V DC 限功率电源。



功能	针数量	描述
接地	1	接地
DC 电源	2	电源输入 8–28 V DC 最大 5.3 W

ZH

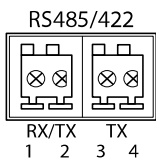
RS485/RS422 连接器

两个用于 RS485/RS422 串行接口的 2 针接线端子，用于控制辅助设备（如水平转动-垂直转动设备）。

串行端口可配置为支持：

- 两线 RS485 半双工
- 四线 RS485 全双工
- 两线 RS422 单工
- 四线式 RS422 全双工点到点通信

AXIS Q7411 Video Encoder



功能	针	说明
RS485/RS422 RX/TX A	1	(RX) 适用于全双工 RS485/RS422 (RX/TX) 适用于半双工 RS485
RS485/RS422 RX/TX B	2	
RS485/RS422 TX A	3	(TX) 适用于全双工 RS485/RS422
RS485/RS422 TX B	4	

安全信息

危险等级

▲危险

表示如果不避免则会导致死亡或严重伤害的危险情况。

▲警告

表示如果不避免则可能导致死亡或严重伤害的危险情况。

▲小心

表示如果不避免则可能导致轻微或中度伤害的危险情况。

注意

表示如果不避免则可能导致财产损失的情况。

其他消息等级

重要

表示产品正常工作所必需的重要信息。

备注

表示有助于充分利用产品的有用信息。

安全说明

⚠警告

安讯士产品应由受过培训的专业人员进行安装，并遵守当地法律和法规。

注意

- 使用安讯士产品时应遵守当地法律和法规。
- 在干燥通风的环境中存放安讯士产品。
- 避免将安讯士产品暴露在冲击或高压环境下。
- 安装安讯士产品时，仅使用适用的工具。使用电动工具过度施力可能导致产品损坏。
- 仅使用符合产品技术规格的附件。这些附件可由安讯士或第三方提供。安讯士推荐使用与产品兼容的安讯士电源设备。
- 仅使用安讯士提供或推荐的备件。
- 请勿尝试自行维修产品。有关服务事项，请联系安讯士支持部门或安讯士经销商。

运输

注意

- 安讯士产品运输途中，应使用其原包装或等效包装，以防对产品造成损坏。

电池

安讯士产品使用 3.0 V BR2032 锂电池作为其内部实时时钟 (RTC) 的电源。在正常情况下，此电池将持续至少五年。

蓄电池电量过低会影响实时时钟的运行，从而导致实时时钟在每次上电时重置。当电池需要更换时，产品的服务器报告中将显示一条日志消息。有关服务器报告的更多信息，请参见产品网页或与安讯士支持部门联系。

3.0 V 纽扣锂电池内含 1,2-二甲氧基乙烷；乙二醇二甲醚 (EGDME)，CAS 编号为 110-71-4。

⚠警告

- 如果未正确更换电池，则存在爆炸危险。
- 仅应更换上同型号的电池。
- 应根据当地法规或电池制造商的说明处理废电池。

Installation Guide

AXIS Q7411 Video Encoder

© Axis Communications AB, 2017 - 2020

Ver. M3.2

Date: March 2020

Part No. 2136549