

# INSTALLATION GUIDE

## AXIS Q1614 Network Camera

ENGLISH

FRANÇAIS

DEUTSCH

ITALIANO

ESPAÑOL

日本語

## Legal Considerations

Video and audio surveillance can be regulated by laws that vary from country to country. Check the laws in your local region before using this product for surveillance purposes.

This product includes one (1) H.264 decoder license and one (1) AAC decoder license. To purchase further licenses, contact your reseller.

## Liability

Every care has been taken in the preparation of this document. Please inform your local Axis office of any inaccuracies or omissions. Axis Communications AB cannot be held responsible for any technical or typographical errors and reserves the right to make changes to the product and manuals without prior notice. Axis Communications AB makes no warranty of any kind with regard to the material contained within this document, including, but not limited to, the implied warranties of merchantability and fitness for a particular purpose. Axis Communications AB shall not be liable nor responsible for incidental or consequential damages in connection with the furnishing, performance or use of this material. This product is only to be used for its intended purpose.

## Intellectual Property Rights

Axis AB has intellectual property rights relating to technology embodied in the product described in this document. In particular, and without limitation, these intellectual property rights may include one or more of the patents listed at <http://www.axis.com/patent.htm> and one or more additional patents or pending patent applications in the US and other countries.

This product contains licensed third-party software. See the menu item "About" in the product's user interface for more information.

This product contains source code copyright Apple Computer, Inc., under the terms of Apple Public Source License 2.0 (see <http://www.opensource.apple.com/apsl>). The source code is available from <http://developer.apple.com/darwin/projects/bonjour/>

## Equipment Modifications

This equipment must be installed and used in strict accordance with the instructions given in the user documentation. This equipment contains no user-serviceable components. Unauthorized equipment changes or modifications will invalidate all applicable regulatory certifications and approvals.

## Trademark Acknowledgments

AXIS COMMUNICATIONS, AXIS, ETRAX, ARTPEC and VAPIX are registered trademarks or trademark applications of Axis AB in various jurisdictions. All other company names and products are trademarks or registered trademarks of their respective companies.

Apple, Boa, Apache, Bonjour, Ethernet, Internet Explorer, Linux, Microsoft, Mozilla, Real, SMPTE, QuickTime, UNIX, Windows, Windows Vista and WWW are registered trademarks of the respective holders. Java and all Java-based trademarks and logos are trademarks or registered trademarks of Oracle and/or its affiliates. UPnP™ is a certification mark of the UPnP™ Implementers Corporation.

SD, SDHC and SDXC are trademarks or registered trademarks of SD-3C, LLC in the United States, other countries or both. Also, miniSD, microSD, miniSDHC, microSDHC, microSDXC are all trademarks or registered trademarks of SD-3C, LLC in the United States, other countries or both.

## Support

Should you require any technical assistance, please contact your Axis reseller. If your questions cannot be answered immediately, your reseller will forward your queries through the appropriate channels to ensure a rapid response. If you are connected to the Internet, you can:

- download user documentation and software updates
- find answers to resolved problems in the FAQ database. Search by product, category, or phrase
- report problems to Axis support staff by logging in to your private support area
- chat with Axis support staff (selected countries only)
- visit Axis Support at [www.axis.com/techsup/](http://www.axis.com/techsup/)

## Learn More!

Visit Axis learning center [www.axis.com/academy/](http://www.axis.com/academy/) for useful trainings, webinars, tutorials and guides.

## Regulatory Information

### Europe

**CE** This product complies with the applicable CE marking directives and harmonized standards:

- Electromagnetic Compatibility (EMC) Directive 2004/108/EC. See *Electromagnetic Compatibility (EMC)*, on page 2.
- Low Voltage (LVD) Directive 2006/95/EC. See *Safety*, on page 3.
- Restrictions of Hazardous Substances (RoHS) Directive 2011/65/EU. See *Disposal and Recycling*, on page 3.

A copy of the original declaration of conformity may be obtained from Axis Communications AB. See *Contact Information*, on page 3.

### Electromagnetic Compatibility (EMC)

This equipment has been designed and tested to fulfill applicable standards for:

- Radio frequency emission when installed according to the instructions and used in its intended environment.
- Immunity to electrical and electromagnetic phenomena when installed according to the instructions and used in its intended environment.

### USA

This equipment has been tested using a shielded network cable (STP) and found to comply with the limits for a Class B digital device, pursuant to part 15 of the FCC Rules. These limits are designed to provide reasonable protection against harmful interference in a residential installation. This equipment generates, uses and can radiate radio frequency energy and, if not installed and used in accordance with the instructions, may cause harmful interference to radio communications. However, there is no guarantee that interference will not occur in a particular installation. If this equipment does cause harmful interference to radio or television reception, which can be determined by turning the equipment off and on, the user is encouraged to try to correct the interference by one or more of the following measures:

- Reorient or relocate the receiving antenna.
- Increase the separation between the equipment and receiver.
- Connect the equipment into an outlet on a circuit different from that to which the receiver is connected.
- Consult the dealer or an experienced radio/TV technician for help.

### Canada

This Class B digital apparatus complies with Canadian ICES-003.

## Europe

This digital equipment fulfills the requirements for RF emission according to the Class B limit of EN 55022.

This product fulfills the requirements for immunity according to EN 61000-6-1 residential, commercial and light-industrial environments.

This product fulfills the requirements for immunity according to EN 61000-6-2 industrial environments.

This product fulfills the requirements for immunity according to EN 55024 office and commercial environments

## Australia/New Zealand

This digital equipment fulfills the requirements for RF emission according to the Class B limit of AS/NZS CISPR 22.

## Japan

この装置は、クラスB 情報技術装置です。この装置は、家庭環境で使用することを目的としていますが、この装置がラジオやテレビジョン受信機に近接して使用されると、受信障害を引き起こすことがあります。取扱説明書に従って正しい取り扱いをして下さい。

## Korea

이 기기는 가정용(B급) 전자파적합기기로서 주로 가정에서 사용하는 것을 목적으로 하며, 모든 지역에서 사용할 수 있습니다.

## Safety

This product complies with IEC/EN/UL 60950-1, Safety of Information Technology Equipment.

The power supply used with this product shall fulfill the requirements for Safety Extra Low Voltage (SELV) and Limited Power Source (LPS) according to IEC/EN/UL 60950-1.

## Disposal and Recycling

When this product has reached the end of its useful life, dispose of it according to local laws and regulations. For information about your nearest designated collection point, contact your local authority responsible for waste disposal. In accordance with local legislation, penalties may be applicable for incorrect disposal of this waste.

## Europe



■ This symbol means that the product shall not be disposed of together with household or commercial waste. Directive 2012/19/EU on waste electrical and electronic equipment (WEEE) is applicable in the European Union member states. To prevent potential harm to human health and the environment, the product must be disposed of in an approved and environmentally safe recycling process. For information about your nearest designated collection point, contact your local authority responsible for waste disposal. Businesses should contact the product supplier for information about how to dispose of this product correctly.

This product complies with the requirements of Directive 2011/65/EU on the restriction of the use of certain hazardous substances in electrical and electronic equipment (RoHS).

## China



This product complies with the requirements of the legislative act Administration on the Control of Pollution Caused by Electronic Information Products (ACPEIP).

## Contact Information

Axis Communications AB  
Emdalavägen 14

223 69 Lund

Sweden

Tel: +46 46 272 18 00

Fax: +46 46 13 61 30

www.axis.com



## Safety Information

Read through this Installation Guide carefully before installing the product. Keep the Installation Guide for future reference.

### Hazard Levels

**▲DANGER**

Indicates a hazardous situation which, if not avoided, will result in death or serious injury.

**▲WARNING**

Indicates a hazardous situation which, if not avoided, could result in death or serious injury.

**▲CAUTION**

Indicates a hazardous situation which, if not avoided, could result in minor or moderate injury.

**NOTICE**

Indicates a situation which, if not avoided, could result in damage to property.

### Other Message Levels

**Important**

Indicates significant information which is essential for the product to function correctly.

**Note**

Indicates useful information which helps in getting the most out of the product.

## Safety Instructions

### **NOTICE**

- The Axis product shall be used in compliance with local laws and regulations.
- To use the Axis product outdoors, or in similar environments, it shall be installed in an approved outdoor housing.
- Store the Axis product in a dry and ventilated environment.
- Avoid exposing the Axis product to shocks or heavy pressure.
- Do not install the product on unstable brackets, surfaces or walls.
- Use only applicable tools when installing the Axis product. Excessive force could cause damage to the product.
- Do not use chemicals, caustic agents, or aerosol cleaners. Use a clean cloth dampened with pure water for cleaning.
- Use only accessories that comply with technical specification of the product. These can be provided by Axis or a third party.
- Use only spare parts provided by or recommended by Axis.
- Do not attempt to repair the product by yourself. Contact Axis support or your Axis reseller for service matters

## Transportation

### **NOTICE**

- When transporting the Axis product, use the original packaging or equivalent to prevent damage to the product.

## Battery

The Axis product uses a 3.0 V CR2032 lithium battery as the power supply for its internal real-time clock (RTC). Under normal conditions this battery will last for a minimum of five years.

Low battery power affects the operation of the RTC, causing it to reset at every power-up. A log message will appear when the battery needs replacing.

The battery should not be replaced unless required, but if the battery does need replacing, contact Axis support at [www.axis.com/techsup/](http://www.axis.com/techsup/) for assistance.

### **⚠WARNING**

- Risk of explosion if the battery is incorrectly replaced.
- Replace only with an identical battery or a battery which is recommended by Axis.
- Dispose of used batteries according to local regulations or the battery manufacturer's instructions.





## Installation Guide

This Installation Guide provides instructions for installing AXIS Q1614 Network Camera on your network. For other aspects of using the product, see the User Manual available at [www.axis.com](http://www.axis.com)

## Installation Steps

1. Make sure the package contents, tools and other materials necessary for the installation are in order. See *page 9*.
2. Study the hardware overview. See *page 10*.
3. Study the specifications. See *page 14*.
4. Install the hardware. See *page 18*.
5. Access the product. See *page 18*.
6. Set the focus. See *page 18*.

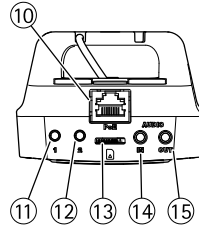
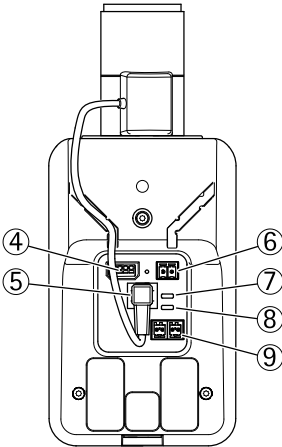
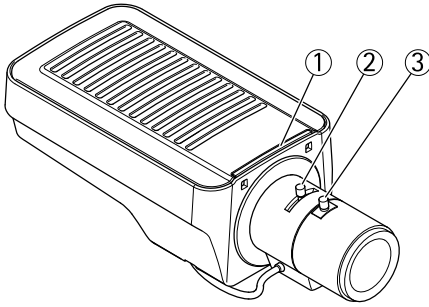
## Package Contents

- AXIS Q1614 Network Camera
- 2-pin connector block for power input
- 4-pin I/O connector block for connecting external devices
- Camera stand
- Torx screwdriver T20
- Installation and Management Software CD
- Printed materials
  - Installation Guide (this document)
  - Extra serial number label (2x)
  - AVHS Authentication key

## Optional Accessories

For information about available accessories, including power accessories and outdoor housings see [www.axis.com](http://www.axis.com)

## Hardware Overview



1. Status LED indicator
2. Zoom puller
3. Focus puller
4. I/O connector
5. Iris connector
6. Power connector
7. Power LED indicator
8. Network LED indicator
9. RS485/RS422 connector
10. Network connector (PoE)

11. Control button (1)
12. Function button (2)
13. microSD Card slot
14. Audio in
15. Audio out

## LED Indicators

LED	Color	Indication
Net-work	Green	Steady for connection to a 100 MBit/s network. Flashes for network activity.
	Amber	Steady for connection to a 10 MBit/s network. Flashes for network activity.
	Unlit	No network connection.
Status	Green	Steady green for normal operation.
	Amber	Steady during startup and when restoring settings.
	Red	Slow flash for failed upgrade.
Power	Green	Normal operation.
	Amber	Flashes green/amber during firmware upgrade.

### Note

- The Status LED can be configured to be unlit during normal operation. To configure, go to **Setup > System Options > Ports & Devices > LED**. See the online help for more information.
- The Status LED can be configured to flash while an event is active.
- The Status LED can be configured to flash for identifying the unit. Go to **Setup > System Options > Maintenance** .
- The Power LED can be configured to be unlit during normal operation. To configure, go to **Setup > System Options > Ports & Devices > LED**. See the online help for more information.
- The Network LED can be disabled so that it does not flash when there is network traffic. To configure, go to **Setup > System Options > Ports & Devices > LED**. See the online help for more information.

## Status LED Behavior for Focus Assistant

Color	Indication
Green	Focus Assistant is enabled The lens is optimally adjusted
Amber	The camera has been moved, or an object has been inserted in front of the lens. Exit and restart the Focus Assistant. The lens is less optimally adjusted.
Red	The camera has been moved, or an object has been inserted in front of the lens. Exit and restart the Focus Assistant. The lens is poorly adjusted.

## Buzzer Signal for Focus Assistant

Buzzer	Lens
Fast interval	Optimally adjusted
Medium interval	Less optimally adjusted
Slow interval	Poorly adjusted

## Status LED Behavior and Buzzer Signal for Levelling Assistant

For information on the Function button used for levelling the camera, see *Connectors and Buttons*.

Color	Buzzer	Camera position
Fixed green	Continuous beep	Level
Flashing green	Fast interval	Almost level
Flashing orange	Medium interval	Not level
Flashing red	Slow interval	Far from level

## Connectors and Buttons

For specifications and operating conditions, see *page 14*.

### Network Connector

RJ45 Ethernet connector. Supports Power over Ethernet (PoE).

## **NOTICE**

The product shall be connected using a shielded network cable (STP). All cables connecting the product to the network switch shall be shielded (STP) and intended for their specific use. Make sure that the network switch is properly grounded. For information about regulatory requirements, see *Regulatory Information, on page 2*.

## **I/O Connector**

Use in applications for e.g. motion detection, event triggering, time lapse recording and alarm notifications. In addition to an auxiliary power and a GND pin, the I/O terminal connector provides the interface to:

- **Digital output** – For connecting external devices such as relays and LEDs. Connected devices can be activated by the VAPIX® Application Programming Interface, output buttons on the Live View page or by an Action Rule. The output will show as active (shown under **System Options > Ports & Devices**) if the alarm device is activated.
- **Digital input** – An alarm input for connecting devices that can toggle between an open and closed circuit, for example: PIRs, door/window contacts, glass break detectors, etc. When a signal is received the state changes and the input becomes active (shown under **System Options > Ports & Devices**).

## **Power Connector**

2-pin terminal block for power input. Use a Safety Extra Low Voltage (SELV) compliant limited power source (LPS) with either a rated output power limited to  $\leq 100$  W or a rated output current limited to  $\leq 5$  A.

## **Audio Connector**

The Axis product has the following audio connectors:

- **Audio in (pink)** – 3.5 mm input for a mono microphone, or a line-in mono signal (left channel is used from a stereo signal).
- **Audio out (green)** – 3.5 mm output for audio (line level) that can be connected to a public address (PA) system or an active speaker with a built-in amplifier. A stereo connector must be used for audio out.

## **RS485/RS422 Connector**

Two terminal blocks for RS485/RS422 serial interface used to control auxiliary equipment such as PTZ devices.

## SD Card Slot

A microSD card (not included) can be used for local recording with removable storage. For more information, see *Specifications, on page 14*.

### **NOTICE**

To prevent corruption of recordings, the SD card should be unmounted before removal. To unmount, go to **Setup > System Options > Storage > SD Card** and click **Unmount**.

## Control Button

The control button is used for:

- Resetting the product to factory default settings. See *page 20*.
- Connecting to an AXIS Video Hosting System service or AXIS Internet Dynamic DNS Service. For more information about these services, see the User Manual.

## Function Button

The function button has multiple functions:

- **Levelling assistant** – This function helps to ensure the camera is level. Press the button for about 3 seconds to start the levelling assistant and press again to stop the leveling assistant. The status LED (see *page 12*) and buzzer signal (see *page 12*) assist levelling of the camera. The camera is level when the buzzer beeps continuously.
- **Focus assistant** – This function is used for enabling the Focus Assistant. To enable the focus assistant, press and very quickly release the button. Press again to stop the focus assistant. For more information, see *page 19*.

# Specifications

## Operating Conditions

The Axis product is intended for indoor use.

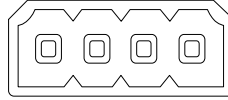
Product	Temperature	Humidity
AXIS Q1614	0 °C to 50 °C (32 °F to 122 °F)	20-85% RH (non-condensing)

## Connectors

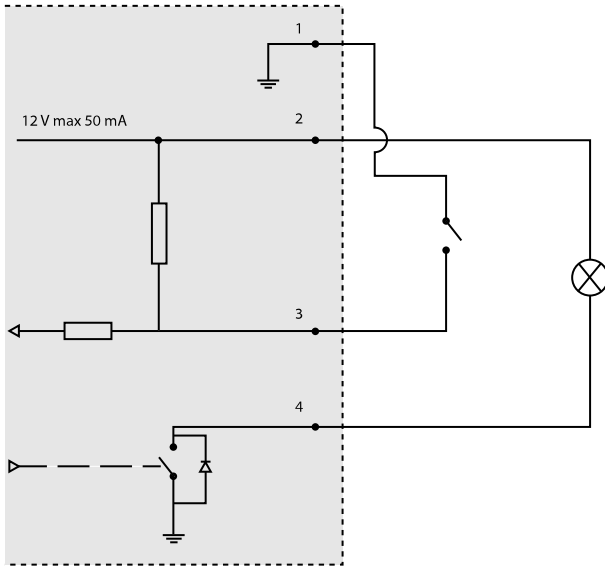
### I/O terminal connector

4-pin terminal block for:

- Digital Input
- Digital Output
- Auxiliary power and ground (GND)



Function	Pin	Notes	Specifications
GND	1	Ground	
12 V DC Power	2	Can be used to power auxiliary equipment. Note: This pin can only be used as power out.	Max load = 50 mA
Configurable (Input or Output)	3-4	Digital input – Connect to GND to activate, or leave floating (unconnected) to deactivate.	0 to +30 V DC
		Digital output – Internal connection to ground when activated, floating (unconnected) when deactivated. If used with an inductive load, e.g. a relay, a diode must be connected in parallel with the load, for protection against voltage transients.	Max load = 100 mA Max voltage = +30 V DC

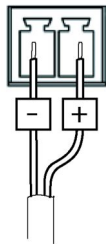


- 3. I/O configured as input
- 4. I/O configured as output

## Power Connector

2-pin terminal block for power input. Use a Safety Extra Low Voltage (SELV) compliant limited power source (LPS) with either a rated output power limited to  $\leq 100$  W or a rated output current limited to  $\leq 5$  A.

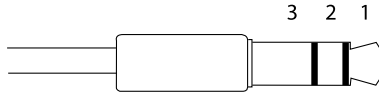
### DC power input





## Audio Connector

3.5 mm audio connectors (stereo)

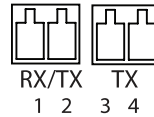


	Audio Input	Audio Output
1 Tip	Balanced Microphone Hot (+) In/Unbalance Microphone In/Line In	Line out (mono)
2 Ring	Balanced Microphone Cold (-) In	
3 Sleeve	Ground	Ground

## RS-485/422 Connector

Two 2-pin terminal blocks for RS485/RS422 serial interface. The serial port can be configured to support:

- Two-wire RS485 half duplex
- Four-wire RS485 full duplex
- Two-wire RS422 simplex
- Four-wire RS422 full duplex point to point communication



Function	Pin	Notes
RS485B alt RS485/422 RX(B)	1	RX pair for all modes (combined RX/TX for 2-wire RS485)
RS485A alt RS485/422 RX(A)	2	
RS485/RS422 TX(B)	3	TX pair for RS422 and 4-wire RS485
RS485/RS422 TX(A)	4	

### Important

The recommended maximum cable length is 30 m (98.4 ft).

## SD Card Slot

Supports microSD cards with up to 64 GB of storage. For best recording performance, use a microSDHC or microSDXC card with speed class 10.

## Install the Hardware

### NOTICE

Due to local regulations or the environmental and electrical conditions in which the product is to be used, a shielded network cable (STP) may be appropriate or required. Any network cables that are routed outdoors or in demanding electrical environments shall be shielded (STP) and intended for their specific use.

1. Optionally connect external input/output devices, such as alarm devices. See *Connectors, on page 15* for information on the terminal connector pins.
2. Optionally connect an active speaker and/or external microphone.
3. Connect the camera to the network using a shielded network cable.
4. Connect power, using one of the methods listed below:
  - PoE (Power over Ethernet). PoE is automatically detected when the network cable is connected.
  - Connect an external power adapter to the power connector block. See *Connectors and Buttons, on page 12*.
5. Check that the indicator LEDs indicate the correct conditions. See the table on *page 11* for more details. Note that the Status LED can be configured to be unlit during normal operation.
6. Optionally insert a microSD card (not included) into the SD card slot.

### NOTICE

To prevent corruption of recordings, the SD card should be unmounted before it is ejected. To unmount, go to **Setup > System Options > Storage > SD Card** and click **Unmount**.

## Access the Product

Use the tools provided on the Installation and Management Software CD to assign an IP address, set the password and access the video stream. This information is also available from the support pages on [www.axis.com/techsup/](http://www.axis.com/techsup/)

## Adjust Focus

To adjust the zoom and focus follow these instructions:

## Note

- Set focus as precisely as possible with the focus puller or Focus Assistant before starting automatic fine tuning. Using the focus puller normally gives the best result.
  - The iris should always be opened to its maximum while focusing. This gives the smallest depth of field and thus the best conditions for correct focusing.
1. Open the product's home page and go to **Setup > Basic Setup > Focus**.
  2. Under the **Basic** tab, click **Open iris**. If the button is inactive the iris is already open.
  3. If focus has been set before, click **Reset** to reset the back focus.
  4. Loosen the zoom and focus pullers (see *Hardware Overview, on page 10*) on the lens by turning them counter-clockwise. Move the pullers to set zoom and focus and check the quality of the image in the image window. If the camera is mounted so that one cannot look at the image and move the pullers at the same time, use the Focus Assistant instead. See *Focus Assistant, on page 19*.
  5. Re-tighten the zoom and focus pullers.
  6. On the Focus page, click **Fine-tune focus automatically** and wait until automatic fine tuning is completed.
  7. Click **Enable iris**. If the button is inactive the iris is already enabled.
  8. If needed, make further adjustments under the **Advanced** tab. See the online help for more information.

## Focus Assistant

### Note

- The view in front of the camera should not be changed during focus adjustment (steps 5 and 6). If the camera is moved, or if a finger or other object is placed in front of the lens, steps 3 - 7 will have to be repeated.
- If movements in front of the camera cannot be avoided, the Focus Assistant should not be used.
- If the camera is mounted so that the Function button cannot be accessed, you can still use the Focus Assistant. Follow the instructions above but mount the camera after step 4, pressing the Function button instead and skip step 7.

To focus your network camera using the Focus Assistant, follow steps 1 - 3 on *page 18* before you start with the steps below. See *Hardware Overview, on page 10*.

1. Mount or place the camera so that it cannot be moved.
2. Loosen the zoom puller by turning it counter-clockwise. Move the puller to set the zoom level. Re-tighten the zoom puller.
3. Set the camera to its extreme distant-focus position by loosening the focus puller and turning the lens fully clockwise.

4. Press and quickly release the Function button. When the Status LED flashes green, the Focus Assistant is enabled.  
If the Status LED flashes either red or amber before you are able to adjust the lens, skip to step 7 to exit the Focus Assistant and repeat steps 3 - 7. See the notes above. See *Status LED Behavior for Focus Assistant, on page 12*.
5. Gently turn the lens counter-clockwise until it stops.
6. Turn the lens slowly clockwise until the status indicator flashes green or amber (not red).
7. Retighten the focus puller.
8. Open the **Live View** page in the web browser and check the quality of the image.
9. Continue with steps 6 - 8 on *page 18*.

## Replacing the lens

It is possible to use optional lenses for the Axis product.

To replace the lens:

1. Disconnect the iris cable.
2. Unscrew the standard lens.
3. Attach and screw on the new lens.

## Reset to Factory Default Settings

### Important

Reset to factory default should be used with caution. A reset to factory default will reset all settings, including the IP address, to the factory default values.

### Note

The installation and management software tools are available on the CD supplied with the product and from the support pages on [www.axis.com/techsup](http://www.axis.com/techsup)

To reset the product to the factory default settings:

1. Disconnect power from the product.
2. Press and hold the control button and reconnect power. See *Hardware Overview, on page 10*.
3. Keep the control button pressed for about 15–30 seconds until the status LED indicator flashes amber.
4. Release the control button. The process is complete when the status LED indicator turns green. The product has been reset to the factory default settings. If no DHCP server is available on the network, the default IP address is 192.168.0.90

5. Using the installation and management software tools, assign an IP address, set the password, and access the video stream.
6. Refocus the product.

It is also possible to reset parameters to factory default via the web interface. Go to **Setup > System Options > Maintenance**.

### Further Information

The User Manual is available at [www.axis.com](http://www.axis.com)

Visit [www.axis.com/techsup](http://www.axis.com/techsup) to check if there is updated firmware available for your network product. To see the currently installed firmware version, go to **Setup > About**.

Visit Axis learning center [www.axis.com/academy](http://www.axis.com/academy) for useful trainings, webinars, tutorials and guides.

### Warranty Information

For information about Axis' product warranty and thereto related information, see [www.axis.com/warranty/](http://www.axis.com/warranty/)

## Considérations légales

La surveillance vidéo et audio peut être réglementée par la législation qui diffère selon le pays. Renseignez-vous sur les lois en vigueur dans votre région avant d'utiliser ce produit à des fins de surveillance.

Cet appareil contient une (1) licence de décodeur H.264 et une (1) licence de décodeur AAC. Veuillez contacter votre revendeur si vous souhaitez acquérir des licences supplémentaires.

## Responsabilité

Le plus grand soin a été apporté à l'élaboration de ce document. Veuillez signaler les erreurs ou omissions à votre représentant Axis local. Axis Communications AB décline toute responsabilité concernant les erreurs techniques et typographiques et se réserve le droit de modifier ses produits et ses manuels sans préavis. Axis Communications AB ne garantit en aucun cas le contenu de ce document, y compris mais sans s'y limiter, les garanties implicites de la qualité marchande et d'aptitude à répondre à un objectif particulier. Axis Communications AB ne sera pas tenu pour responsable de dommages accidentels ou consécutifs liés à l'acquisition, aux performances ou à l'utilisation de ce produit. Cet appareil doit être utilisé uniquement pour son usage prévu.

## Droits de propriété intellectuelle

Axis AB détient les droits de propriété intellectuelle relatifs à la technologie incorporée dans l'appareil décrit dans ce document. En particulier, et de façon non limitative, ces droits de propriété intellectuelle peuvent inclure un ou plusieurs brevets répertoriés à l'adresse <http://www.axis.com/patent.htm> et un ou plusieurs brevets supplémentaires ou demandes de brevet en instance aux États-Unis et dans d'autres pays.

Cet appareil contient un logiciel tiers sous licence. Voir l'option de menu « À propos » dans l'interface utilisateur du produit pour plus d'informations.

Cet appareil détient un droit d'auteur sur le code source d'Apple Computer, Inc., en conformité avec les termes de Apple Public Source License version 2.0 (reportez-vous à l'adresse <http://www.opensource.apple.com/apsl>). Le code source est disponible sur le site <http://developer.apple.com/darwin/projects/bonjour/>

## Modifications sur l'appareil

Cet appareil doit être installé et utilisé en stricte conformité avec les instructions données dans le manuel de l'utilisateur. Il ne contient aucun composant réparable par l'utilisateur. Tout changement ou modification non autorisé sur l'appareil annulera toutes les certifications et approbations réglementaires applicables.

## Informations sur les marques déposées

AXIS COMMUNICATIONS, AXIS, ETRAX, ARTPEC et VAPIX sont des marques déposées d'Axis AB ou en cours de dépôt par Axis AB dans différentes juridictions. Tous les autres noms de sociétés et de produits sont des marques ou des marques déposées de leurs sociétés respectives.

Apple, Boa, Apache, Bonjour, Ethernet, Internet Explorer, Linux, Microsoft, Mozilla, Real, SMPTE, QuickTime, UNIX, Windows, Windows Vista et WWW sont des marques déposées des détenteurs respectifs. Java ainsi que toutes les marques déposées et logos dérivés de Java sont des marques commerciales ou des marques déposées d'Oracle et/ou ses sociétés affiliées. UPnP™ est une marque de certification d'UPnP™ Implementers Corporation.

SD, SDHC et SDXC sont des marques ou des marques déposées de SD-3C, LLC aux États-Unis et dans d'autres pays ou les deux. miniSD, microSD, miniSDHC, microSDHC et microSDXC sont également des marques ou des marques déposées de SD-3C, LLC aux États-Unis et dans d'autres pays ou les deux.

## Assistance

Si vous avez besoin d'une assistance technique, contactez votre revendeur Axis. Si celui-ci n'est pas en mesure de répondre immédiatement à vos questions, il transmettra votre demande aux services compétents afin d'obtenir une réponse dans les meilleurs délais. Si vous disposez d'une connexion Internet, vous pouvez :

- télécharger la documentation de l'utilisateur et les mises à jour du logiciel ;
- consulter les réponses aux problèmes résolu dans notre base de données Foire aux questions ; effectuer une recherche par produit, catégorie ou expression ;
- signaler des problèmes au personnel d'assistance technique d'Axis en vous connectant à votre espace d'assistance personnel ;
- discuter en ligne avec le personnel d'assistance technique d'Axis (certains pays uniquement) ;
- consulter la page d'assistance technique à l'adresse [www.axis.com/techsup/](http://www.axis.com/techsup/)

## Pour en savoir plus !

Visitez le Centre d'apprentissage Axis [www.axis.com/academy/](http://www.axis.com/academy/) pour obtenir des formations, des webinaires, des didacticiels et des guides.

## Informations sur les exigences réglementaires Europe



Cet appareil est conforme aux directives sur le marquage et aux normes harmonisées CE en vigueur :

- Directive sur la compatibilité électromagnétique (EMC) 2004/108/CE. Cf. *Compatibilité électromagnétique (CEM)*, à la page 22.
- Directive sur la basse tension (LVD) 2006/95/CE. Cf. *La sécurité*, à la page 23.
- Directive relative à la limitation de l'utilisation de certaines substances dangereuses (RoHS) 2011/65/UE. Cf. *Mise au rebut et recyclage*, à la page 23.

Une copie de la déclaration de conformité originale peut être obtenue auprès de Axis Communications AB. Cf. *Coordonnées*, à la page 23.

## Compatibilité électromagnétique (CEM)

Cet appareil a été conçu et testé pour répondre aux normes en vigueur d' :

- émission des fréquences radio lorsqu'il est installé conformément aux instructions et utilisé dans son environnement prévu.
- immunité aux phénomènes électriques et électromagnétiques lorsqu'il est installé conformément aux instructions et utilisé dans son environnement prévu.

## États-Unis

Cet appareil a été testé à l'aide d'un câble réseau blindé (STP) et satisfait aux limites imposées pour les appareils numériques de Classe B, conformément à l'alinéa 15 de la réglementation FCC. Ces limites sont destinées à assurer une protection raisonnable contre les interférences nuisibles dans une installation résidentielle. Cet appareil génère, utilise et émet des fréquences radioélectriques et peut causer des interférences nuisibles dans les communications radio s'il n'est pas installé et exploité conformément

aux instructions. Toutefois, aucune garantie n'empêche la production d'interférences dans une installation particulière. Si cet équipement cause des interférences préjudiciables à la réception radio ou télévisée (ce que vous pouvez vérifier en éteignant et en rallumant l'équipement), nous vous recommandons d'essayer de corriger le problème comme suit :

- Réorientez ou repositionnez l'antenne de réception.
- Augmentez la distance entre l'appareil et le récepteur.
- Connectez l'appareil sur la sortie d'un circuit différent de celui sur lequel le récepteur est connecté.
- Consultez un revendeur ou un technicien radio/TV expérimenté pour obtenir de l'aide.

#### Canada

Cet appareil numérique de Class B est conforme à la norme canadienne ICES-003.

#### Europe

Cet appareil numérique satisfait aux exigences des émissions des fréquences radio conformément à la limite de la Classe B de la norme EN 55022.

Cet appareil satisfait aux exigences de l'immunité conformément à la norme EN 61000-6-1 relative aux environnements résidentiels, commerciaux et d'industrie légère.

Cet appareil satisfait aux exigences de l'immunité conformément à la norme EN 61000-6-2 relative aux environnements industriels.

Cet appareil satisfait aux exigences de l'immunité conformément à la norme EN 55024 relative aux environnements de bureau et commerciaux.

#### Australie/Nouvelle Zélande

Cet appareil numérique satisfait aux exigences des émissions des fréquences radio conformément à la limite de la Classe B de la norme AS/NZS CISPR 22.

#### Japon

この装置は、クラスB 情報技術装置です。この装置は、家庭環境で使用することを目的としていますが、この装置がラジオやテレビジョン受信機に近接して使用されると、受信障害を引き起こすことがあります。取扱説明書に従って正しい取り扱いをして下さい。

#### Corée

이 기기는 가정용(B급) 전자파적합기기로서 주로 가정에서 사용하는 것을 목적으로 하며, 모든 지역에서 사용할 수 있습니다.

#### La sécurité


Cet appareil est conforme à la norme relative à la sécurité des équipements de technologies de l'information IEC/EN/UL60950-1.

L'alimentation utilisée avec cet appareil doit satisfaire aux exigences de Très basse tension de sécurité (TBTS) et la source d'alimentation limitée (LPS) selon la norme IEC/EN/UL60950-1.

#### Mise au rebut et recyclage


Lorsque cet appareil a atteint la fin de sa vie utile, mettez-le au rebut selon les lois et réglementations locales. Pour plus d'informations sur votre point de collecte le plus proche, veuillez contacter votre autorité locale responsable de l'élimination des déchets. Conformément à la législation locale, des sanctions peuvent être appliquées en cas d'élimination incorrecte de ces déchets.



**Europe**  Ce symbole signifie que l'appareil ne doit pas être évacué avec les ordures ménagères ou commerciales.

La Directive 2012/19/UE relative aux déchets d'équipements électriques et électroniques (DEEE) est applicable dans les États membres de l'Union. Pour prévenir tout dommage potentiel sur la santé humaine et l'environnement, l'appareil doit être mis au rebut suivant un processus de recyclage approuvé et sans danger pour l'environnement. Pour plus d'informations sur votre point de collecte le plus proche, veuillez contacter votre autorité locale responsable de l'élimination des déchets. Les entreprises doivent communiquer avec le fournisseur de l'appareil pour plus d'informations sur sa méthode de mise au rebut adéquate.

Cet appareil est conforme aux exigences de la Directive 2011/65/UE relative à la limitation de l'utilisation de certaines substances dangereuses dans les équipements électriques et électroniques (RoHS).

**Chine**  Cet appareil est conforme aux prescriptions de l'Administration pour le contrôle de la pollution causée par les produits d'information électroniques (ACPEIP).

#### Coordonnées

Axis Communications AB  
Emdalavägen 14  
223 69 Lund  
Suède

Tél. : +46 46 272 18 00

Fax : +46 46 13 61 30

[www.axis.com](http://www.axis.com)





## Informations sur la sécurité

Lisez attentivement ce guide d'installation avant d'installer l'appareil. Conservez le Guide d'installation pour référence ultérieure.

### Niveaux de risques

#### **▲ DANGER**

Indique une situation dangereuse qui, si elle n'est pas évitée, entraînera le décès ou des blessures graves.

#### **▲ AVERTISSEMENT**

Indique une situation dangereuse qui, si elle n'est pas évitée, pourrait entraîner le décès ou des blessures graves.

#### **▲ ATTENTION**

Indique une situation dangereuse qui, si elle n'est pas évitée, pourrait entraîner des blessures légères ou modérées.

#### **AVIS**

Indique une situation qui, si elle n'est pas évitée, pourrait entraîner des dommages à l'appareil.

### Autres niveaux de message

#### **Important**

Indique les informations importantes, nécessaires pour assurer le bon fonctionnement de l'appareil.

#### **Note**

Indique les informations utiles qui permettront d'obtenir le potentiel maximal de l'appareil.

## Consignes de sécurité

### AVIS

- Le produit Axis doit être utilisé conformément aux lois et réglementations locales en vigueur.
- Pour pouvoir utiliser le produit Axis à l'extérieur, ou dans des environnements similaires, il doit être installé dans un boîtier d'extérieur homologué.
- Conserver ce produit Axis dans un environnement sec et ventilé.
- Ne pas exposer ce produit Axis aux chocs ou aux fortes pressions.
- Ne pas installer ce produit sur des supports, surfaces ou murs instables.
- Utiliser uniquement des outils recommandés pour l'installation de l'appareil Axis. Une force excessive appliquée sur l'appareil pourrait l'endommager.
- Ne pas utiliser de produits chimiques, de substances caustiques ou de nettoyeurs pressurisés. Utiliser un chiffon propre imbibé d'eau pure pour le nettoyage.
- Utiliser uniquement des accessoires conformes aux caractéristiques techniques du produit. Ils peuvent être fournis par Axis ou un tiers.
- Utiliser uniquement les pièces de rechange fournies ou recommandées par Axis.
- Ne pas essayer de réparer ce produit par vous-même. Contacter l'assistance technique d'Axis ou votre revendeur Axis pour des problèmes liés à l'entretien.

## Transport

### AVIS

- Lors du transport du produit Axis, utilisez l'emballage d'origine ou l'équivalent pour éviter d'endommager le produit.

## Batterie

Le produit Axis utilise une batterie au lithium CR2032 3,0 V comme alimentation de son horloge en temps réel interne (RTC). Dans des conditions normales, cette batterie a une durée de vie minimale de cinq ans.

Une batterie faible affecte le fonctionnement du RTC, entraînant sa réinitialisation à chaque mise sous tension. Un message de journal apparaît lorsque la batterie doit être remplacée.

La batterie doit être remplacée uniquement en cas de besoin, et pour le faire, contactez l'assistance technique d'Axis à l'adresse [www.axis.com/techsup/](http://www.axis.com/techsup/) pour obtenir de l'aide.

### **⚠AVERTISSEMENT**

- Risque d'explosion si la batterie est remplacée de façon incorrecte.
- Remplacez-la uniquement par une batterie identique ou une batterie recommandée par Axis.
- Mettez au rebut les piles usagées conformément aux réglementations locales ou aux instructions du fabricant de la batterie.



## Guide d'installation

Ce guide d'installation vous explique comment installer la caméra réseau AXIS Q1614 sur votre réseau. Pour toute autre information relative à l'utilisation du produit, reportez-vous au manuel de l'utilisateur disponible sur le site [www.axis.com](http://www.axis.com)

## Procédures d'installation

1. Assurez-vous que les outils et autres matériels nécessaires à l'installation sont inclus dans l'emballage. Cf. *la page 29*.
2. Étudiez la description du matériel. Cf. *la page 30*.
3. Étudiez les caractéristiques. Cf. *la page 34*.
4. Installez le matériel. Cf. *la page 38*.
5. Utilisez le produit. Cf. *la page 38*.
6. Réglez la mise au point. Cf. *la page 39*.

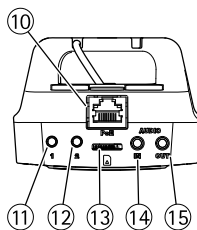
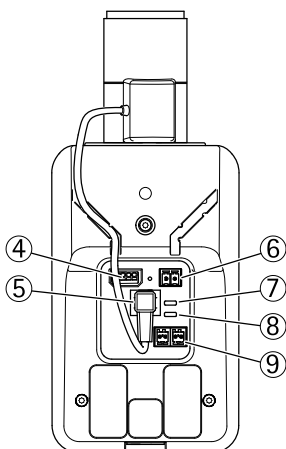
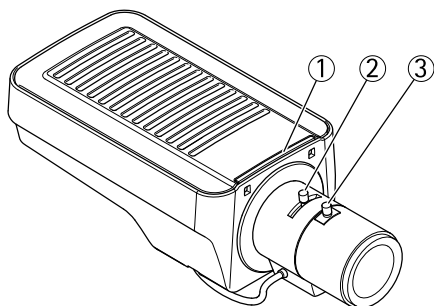
## Contenu de l'emballage

- Caméra réseau AXIS Q1614
- Bloc de connexion à 2 broches utilisé pour l'alimentation en entrée
- Bloc de connexion à 4 broches pour le raccordement de dispositifs externes au connecteur pour terminaux E/S
- Support de caméra
- Tournevis Torx T20
- CD d'installation et de gestion
- Documents imprimés
  - Guide d'installation (ce document)
  - Étiquette supplémentaire reprenant le numéro de série (x2)
  - Clé d'authentification AVHS

## Accessoires en option

Pour plus d'informations sur les accessoires disponibles, y compris les accessoires d'alimentation et les boîtiers d'extérieur, consultez [www.axis.com](http://www.axis.com)

## Présentation du matériel



1. Voyant d'état
2. Commande de zoom
3. Commande de mise au point
4. Connecteur d'E/S
5. Connecteur du diaphragme
6. Connecteur d'alimentation
7. Voyant DEL d'alimentation
8. Voyant DEL réseau
9. Connecteur RS485/RS422
10. Connecteur réseau (PoE)

11. *Bouton de commande (1)*
12. *Bouton Fonction (2)*
13. *Logement de carte microSD*
14. *Entrée audio*
15. *Sortie audio*

## Voyants

Voyant	Couleur	Indication
Réseau	Vert	Fixe en cas de connexion à un réseau de 100 Mbits/s. Clignote en cas d'activité réseau.
	Orange	Fixe en cas de connexion à un réseau de 10 Mbits/s. Clignote en cas d'activité réseau.
	Éteint	Pas de connexion réseau.
État	Vert	Vert fixe en cas de fonctionnement normal.
	Orange	Fixe pendant le démarrage et lors de la restauration des paramètres.
	Rouge	Clignote lentement en cas d'échec de la mise à niveau.
Alimentation	Vert	Fonctionnement normal.
	Orange	Le voyant vert/orange clignote pendant la mise à niveau du microprogramme.

### Note

- Le voyant d'état peut être éteint pendant le fonctionnement normal. Pour ce faire, rendez-vous dans **Setup > System Options > Ports & Devices > LED (Configuration > Options système > Ports et dispositifs > DEL)**. Consultez l'aide en ligne pour plus d'informations.
- Le voyant d'état peut clignoter lorsqu'un événement est actif.
- Le voyant d'état peut clignoter pendant l'identification de l'appareil. Rendez-vous dans **Setup > System Options > Maintenance (Configuration > Options système > Maintenance)**.
- Le voyant d'alimentation peut être éteint pendant le fonctionnement normal. Pour ce faire, rendez-vous dans **Setup > System Options > Ports & Devices > LED (Configuration > Options système > Ports et dispositifs > DEL)**. Consultez l'aide en ligne pour plus d'informations.
- Le voyant de réseau peut être désactivé afin qu'il ne clignote pas en cas de trafic réseau. Pour ce faire, rendez-vous dans **Setup > System Options > Ports & Devices > LED (Configuration > Options système > Ports et dispositifs > DEL)**. Consultez l'aide en ligne pour plus d'informations.

### Comportement du voyant d'état pour l'assistant de mise au point

Couleur	Indication
Vert	L'assistant de mise au point est activé L'objectif est réglé de manière optimale.
Orange	La caméra a bougé ou un objet a été placé devant l'objectif. Quittez l'assistant de mise au point et recommencez. L'objectif est réglé de manière moins optimale.
Rouge	La caméra a bougé ou un objet a été placé devant l'objectif. Quittez l'assistant de mise au point et recommencez. L'objectif est mal réglé.

### Signal sonore de l'assistant de mise au point

Avertisseur	Objectif
Intervalle rapide	Réglage optimal
Intervalle intermédiaire	Réglage moins optimal
Intervalle lent	Réglage médiocre

### Comportement du voyant d'état et du signal sonore pour l'assistant de nivellement

Pour plus d'information sur le bouton Fonction utilisé pour le réglage du niveau de la caméra, consultez *Connecteurs et boutons*.

Couleur	Avertisseur	Position de la caméra
Vert fixe	Signal sonore continu	Niveau
Clignote en vert	Intervalle rapide	Presque niveau
Orange clignotant	Intervalle intermédiaire	Pas niveau
Rouge clignotant	Intervalle lent	Loin du niveau

### Connecteurs et boutons

Pour les caractéristiques et les conditions d'utilisation, consultez *la page 34*.

#### Connecteur réseau

Connecteur Ethernet RJ45. Prend en charge l'alimentation par Ethernet (PoE).



## AVIS

Le produit doit être connecté à l'aide d'un câble réseau blindé (STP). Tous les câbles reliant le produit au commutateur réseau doivent être blindés (STP) et destinés à leur usage spécifique. Assurez-vous que le commutateur réseau est convenablement mis à la terre. Pour plus d'informations sur les exigences réglementaires, consultez *Informations sur les exigences réglementaires, à la page 22*.

## Connecteur d'E/S

Utilisé notamment dans les applications de détection de mouvement, de déclenchement d'événements, d'enregistrement à intervalles et de notifications d'alarme. En plus d'une alimentation auxiliaire et d'une broche de mise à la terre, le connecteur pour terminaux d'E/S fournit une interface vers les éléments suivants :

- **Sortie numérique** – Permet de connecter des dispositifs externes, comme des relais ou des voyants. Les appareils connectés peuvent être activés par l'interface de programmation VAPIX®, les boutons de sortie sur la page Live View (Vidéo en direct) ou par une règle d'action. La sortie est considérée comme étant active (comme indiqué dans **System Options > Ports & Devices** (Options Système > Ports et dispositifs)) si le dispositif d'alarme est activé.
- **Entrée numérique** – Entrée d'alarme utilisée pour connecter des dispositifs pouvant passer d'un circuit ouvert à un circuit fermé, par exemple : détecteurs infrarouge passifs, contacts de porte/fenêtre, détecteurs de bris de verre, etc. À la réception d'un signal, l'état change et l'entrée s'active (sous **System Options > Ports & Devices** (Options système > Ports et dispositifs)).

## Connecteur d'alimentation

Bloc terminal à 2 broches pour l'alimentation. Utilisez une source d'alimentation limitée (LPS) conforme aux exigences de Très basse tension de sécurité (TBTS) dont la puissance de sortie nominale est limitée à  $\leq 100$  W ou dont le courant de sortie nominal est limité à  $\leq 5$  A.

## Connecteur audio

Le produit Axis dispose des connecteurs audio suivants :

- **Entrée audio (rose)** : entrée de 3,5 mm pour microphone mono ou signal d'entrée mono (le canal de gauche est utilisé pour le signal stéréo).
- **Sortie audio (verte)** : sortie de 3,5 mm (sortie de ligne) qui peut être connectée à un système de sonorisation (PA) ou à un haut-parleur actif avec amplificateur intégré. Un connecteur stéréo doit être utilisé pour la sortie audio.

## Connecteur RS485/RS422

Deux blocs terminaux à 2 broches pour l'interface série RS485/RS422 utilisée pour commander les équipements auxiliaires, tels que les dispositifs PTZ.

## Fente pour carte SD

Une carte microSD (non fournie) peut être utilisée pour l'enregistrement local sur stockage amovible. Pour en savoir plus, consultez *Caractéristiques techniques*, à la page 34.

### AVIS

Pour éviter la corruption des enregistrements, la carte SD doit être démontée avant son retrait. Pour ce faire, rendez-vous dans **Setup > System Options > Storage > SD Card (Configuration > Options du système > Stockage > Carte SD)** et cliquez sur **Unmount (Démonter)**.

## Bouton de commande

Le bouton de commande permet de réaliser les opérations suivantes :

- Réinitialisation du produit aux paramètres d'usine par défaut. Cf. *la page 41*.
- Connexion au service du Système d'hébergement vidéo AXIS ou au service AXIS Internet Dynamic DNS. Pour plus d'informations sur ces services, reportez-vous au Manuel de l'utilisateur.

## Bouton Fonction

Le bouton Fonction permet de réaliser les opérations suivantes :

- **Assistant de nivellement** : cette fonction permet de s'assurer que la caméra est à niveau. Appuyez sur le bouton pendant environ 3 secondes pour démarrer l'assistant de nivellement et appuyez une nouvelle fois pour le désactiver. Le voyant d'état (cf. *la page 32*) et le signal sonore (cf. *la page 32*) vous aident lors du nivellement de la caméra. Lorsque l'avertisseur émet un signal sonore continu, cela signifie que la caméra est mise à niveau.
- **Assistant de mise au point** : cette fonction est utilisée pour activer l'assistant de mise au point. Pour activer l'assistant de mise au point, appuyez sur le bouton et relâchez-le très rapidement. Pour quitter l'assistant de mise au point, appuyez à nouveau sur le bouton. Pour en savoir plus, consultez *la page 40*.

## Caractéristiques techniques

### Conditions d'utilisation

L'appareil Axis est destiné uniquement à des utilisations en intérieur.

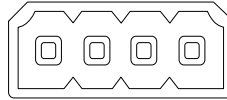
Produit	Température	Humidité
AXIS Q1614	0 °C à 50 °C (32 °F à 122 °F)	Humidité relative de 20 à 85 % (sans condensation)

## Connecteurs

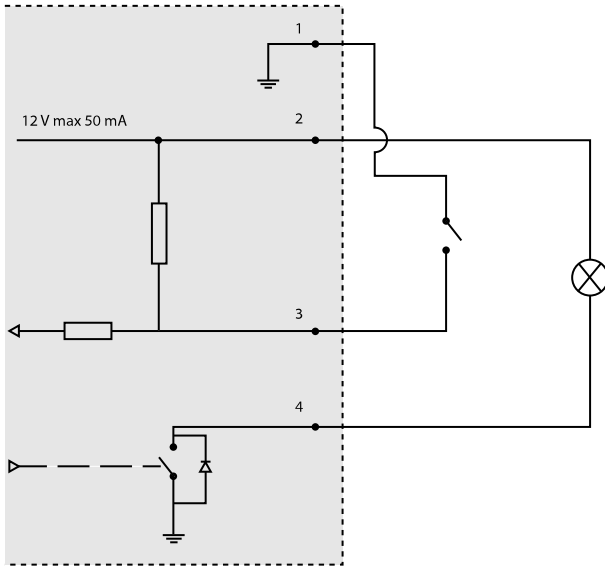
### Connecteur pour terminal E/S

Bloc terminal à 4 broches pour :

- Entrée numérique
- Sortie numérique
- Alimentation auxiliaire et mise à la terre



Fonction	B-roche	Notes	Caractéristiques
Terre	1	Mise à la terre	
Alimentation 12 V CC	2	Peut servir à alimenter le matériel auxiliaire. Remarque : cette broche ne peut être utilisée que comme sortie d'alimentation.	Charge maximale =50 mA
Configurable (entrée ou sortie)	3-4	Entrée numérique – Connectez-la à la terre pour l'activer ou laissez-la flotter (déconnectée) pour la désactiver.	Entre 0 et 30 V CC
		Sortie numérique – Connexion interne à la terre lorsqu'activée, flottante (déconnectée) lorsque désactivée. Si vous l'utilisez avec une charge inductive, par exemple un relais, une diode doit être connectée en parallèle avec la charge, en guise de protection contre les tensions transitoires.	Charge maximale = 100 mA Tension maximale = +30 V CC

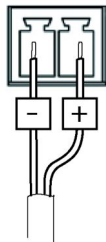


3. Entrée/sortie configurée comme entrée
4. Entrée/sortie configurée comme sortie

## Connecteur d'alimentation

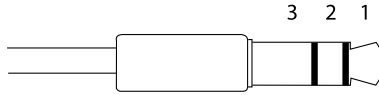
Bloc terminal à 2 broches pour l'alimentation. Utilisez une source d'alimentation limitée (LPS) conforme aux exigences de Très basse tension de sécurité (TBTS) dont la puissance de sortie nominale est limitée à  $\leq 100$  W ou dont le courant de sortie nominal est limité à  $\leq 5$  A.

Entrée d'alimentation CC



## Connecteur audio

Connecteurs audio 3,5 mm (stéréo)

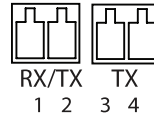


	Entrée audio	Sortie audio
1 Embout	Entrée positive microphone équilibrée/Entrée déséquilibrée micro/Entrée ligne	Sortie ligne (mono)
2 Anneau	Entrée microphone équilibrée négative	
3 Manche	Mise à la terre	Mise à la terre

## Connecteur RS-485/422

Blocs terminaux à 2 broches pour interface série RS485/RS422. Le port série peut être configuré pour la prise en charge de :

- RS485 semi-duplex sur deux fils
- RS485 duplex intégral sur quatre fils
- RS422 simplex sur deux fils
- RS422 duplex intégral sur quatre fils pour communication point à point



Fonction	Broche	Notes
RS485B alt RS485/422 RX(B)	1	Paire RX pour tous les modes (combiné RX/TX pour le mode RS485 2 fils)
RS485A alt RS485/422 RX(A)	2	
RS485/RS422 TX(B)	3	Paire TX pour RS422 et le mode RS485 4 fils
RS485/RS422 TX(A)	4	

### Important

La longueur du câble maximum recommandée est 30 m (98.4 ft).

### Fente pour carte SD

Prise en charge des cartes microSD jusqu'à 64 Go. Pour des performances d'enregistrement optimales, utilisez une carte microSDHC ou microSDXC de classe 10.

## Installation du matériel

### AVIS

Les réglementations locales ou les conditions environnementales et électriques dans lesquelles le produit est utilisé peuvent nécessiter l'utilisation d'un câble réseau blindé (STP). Tous les câbles réseau qui sont acheminés à l'extérieur ou dans des environnements électriques exigeants doivent être blindés (STP) et destinés à leur usage spécifique.

1. Vous pouvez brancher des dispositifs d'entrée/sortie externes, tels que des systèmes d'alarme. Reportez-vous à la section *Connecteurs*, à la page 35 pour plus d'informations sur les broches du connecteur pour terminaux.
2. Si vous le souhaitez, vous pouvez brancher un haut-parleur actif et/ou un microphone externe.
3. Connectez la caméra au réseau à l'aide d'un câble réseau blindé.
4. Branchez l'alimentation en suivant l'une des méthodes décrites ci-dessous :
  - Alimentation par Ethernet (PoE) : l'alimentation par Ethernet (PoE) est automatiquement détectée lorsque le câble réseau est connecté.
  - Connectez un adaptateur d'alimentation externe au bloc de connexion d'alimentation. Cf. *Connecteurs et boutons*, à la page 32.
5. Vérifiez que les voyants DEL indiquent le bon état de fonctionnement. Pour plus d'informations, reportez-vous au tableau de la page 31. Notez que le voyant d'état peut être configuré pour être éteint pendant le fonctionnement normal.
6. Vous pouvez également insérer une carte microSD (non fournie) dans la fente pour carte SD.

### AVIS

Pour éviter la corruption des enregistrements, la carte SD doit être démontée avant son éjection. Pour ce faire, rendez-vous dans **Setup > System Options > Storage > SD Card** (Configuration > Options du système > Stockage > Carte SD) et cliquez sur **Unmount** (Démonter).

## Accès au produit

Utilisez les outils fournis sur le CD d'installation et de gestion pour attribuer une adresse IP, configurer le mot de passe et accéder au flux de données vidéo. Ces informations sont également disponibles sur les pages d'assistance technique du site [www.axis.com/techsup](http://www.axis.com/techsup)

## Réglage de la mise au point

Pour régler le zoom et la mise au point, procédez comme suit :

### Note

- Effectuez la mise au point aussi précisément que possible à l'aide de la commande de mise au point ou de l'assistant avant de démarrer l'ajustement automatique. L'utilisation de la commande de mise au point donne généralement le meilleur résultat.
  - Le diaphragme doit toujours être ouvert au maximum lors de la mise au point. Cela donne la plus petite profondeur de champ, ce qui offre les meilleures conditions pour une mise au point correcte.
1. Ouvrez la page d'accueil du produit et sélectionnez **Setup > Basic Setup > Focus (Configuration > Configuration de base > Mise au point)**.
  2. Sous l'onglet **Basic (Base)**, cliquez sur **Open iris (Ouvrir le diaphragme)**. Si le bouton est inactif, le diaphragme est déjà ouvert.
  3. Si la mise au point a déjà été effectuée, cliquez sur **Reset (Réinitialiser)** pour réinitialiser le foyer arrière.
  4. Desserrez les commandes de zoom et de mise au point de l'objectif (voir *Présentation du matériel*, à la page 30) en les tournant dans le sens inverse des aiguilles d'une montre. Déplacez les commandes pour régler le zoom et la mise au point et vérifiez la qualité de l'image dans la fenêtre correspondante. Si la caméra est montée de façon à ce qu'il soit impossible de regarder l'image et de déplacer les commandes en même temps, utilisez plutôt l'assistant de mise au point. Cf. *Assistant de mise au point*, à la page 40.
  5. Resserrez les commandes de zoom et de mise au point.
  6. À la page **Focus (Mise au point)**, cliquez sur **Fine-tune focus automatically (Ajuster la mise au point automatiquement)** et attendez que l'ajustement automatique soit terminé.
  7. Cliquez sur **Enable iris (Activer le diaphragme)**. Si le bouton est inactif, le diaphragme est déjà activé.
  8. Si nécessaire, effectuez d'autres réglages sous l'onglet **Advanced (Avancé)**. Consultez l'aide en ligne pour plus d'informations.

## Assistant de mise au point

### Note

- La vue en face de la caméra ne doit pas être modifiée lors du réglage de la mise au point (étapes 5 et 6). Si la caméra est déplacée ou si un doigt ou un autre objet est placé devant l'objectif, vous devrez recommencer les étapes 3 à 7.
- Si les mouvements devant la caméra ne peuvent pas être évités, l'assistant de mise au point ne doit pas être utilisé.
- Si la caméra est montée de sorte qu'il soit impossible d'accéder au bouton Fonction, vous pouvez tout de même utiliser l'assistant. Procédez comme indiqué ci-dessus, mais installez la caméra après l'étape 4 (en appuyant sur le bouton Fonction) et passez à l'étape 7.

Pour effectuer la mise au point de la caméra réseau en utilisant l'assistant, suivez les étapes 1 à 3 de la section *la page 39* avant de procéder aux étapes ci-dessous. Consultez *Présentation du matériel*, à la page 30.

1. Installez la caméra ou placez-la de façon à ce qu'elle ne puisse pas bouger.
2. Desserrez la commande de zoom en la tournant dans le sens inverse des aiguilles d'une montre. Déplacez la commande pour régler le niveau du zoom. Resserrez la commande de zoom.
3. Réglez la caméra sur sa position de mise au point à distance extrême en desserrant la commande de mise au point et en tournant l'objectif au maximum dans le sens des aiguilles d'une montre.
4. Appuyez sur le bouton Fonction et relâchez-le très rapidement. Lorsque le voyant d'état clignote en vert, l'assistant de mise au point est activé.  
Si le voyant d'état clignote en rouge ou en orange avant que vous n'ayez pu régler l'objectif, passez à l'étape 7 pour quitter l'assistant et recommencez les étapes 3 à 7. Voir les remarques ci-dessus. Cf. *Comportement du voyant d'état pour l'assistant de mise au point*, à la page 32.
5. Tournez délicatement l'objectif dans le sens inverse des aiguilles d'une montre jusqu'à ce qu'il s'arrête.
6. Tournez lentement l'objectif dans le sens des aiguilles d'une montre jusqu'à ce que l'indicateur d'état clignote en vert ou en orange (et non en rouge).
7. Resserrez la commande de mise au point.
8. Ouvrez la page **Live View (Vue en direct)** du navigateur web et contrôlez la qualité de l'image.
9. Continuez avec les étapes 6 à 8 de la page *la page 39*.

## Remplacement de l'objectif

Il est possible d'utiliser des objectifs en option pour le produit Axis.

Pour remplacer l'objectif :



1. Débranchez le câble du diaphragme.
2. Dévissez l'objectif standard.
3. Fixez et vissez le nouvel objectif.

### Réinitialisation aux paramètres d'usine par défaut

#### Important

La réinitialisation aux paramètres par défaut doit être utilisée avec prudence. Cette opération reconfigure tous les paramètres, y compris l'adresse IP, aux valeurs d'usine par défaut.

#### Note

Les logiciels d'installation et de gestion sont disponibles sur le CD fourni avec le produit et sur les pages d'assistance du site [www.axis.com/techsup](http://www.axis.com/techsup)

Pour réinitialiser l'appareil aux paramètres d'usine par défaut :

1. Déconnectez l'alimentation de l'appareil.
2. Maintenez le bouton de commande enfoncé et remettez l'appareil sous tension. Consultez *Présentation du matériel*, à la page 30.
3. Maintenez le bouton de commande enfoncé pendant 15 à 30 secondes, jusqu'à ce que le voyant d'état passe à l'orange et clignote.
4. Relâchez le bouton de commande. Le processus est terminé lorsque le voyant d'état passe au vert. Les paramètres d'usine par défaut de l'appareil ont été rétablis. En l'absence d'un serveur DHCP sur le réseau, l'adresse IP par défaut est 192.168.0.90.
5. Utilisez les outils d'installation et de gestion pour attribuer une adresse IP, configurer le mot de passe et accéder au flux de données vidéo.
6. Nouvelle mise au point du produit.

Il est également possible de rétablir les paramètres d'usine à partir de l'interface Web. Rendez-vous dans **Setup > System Options > Maintenance** (Configuration > Options système > Maintenance) ((Configuration > Configuration du contrôleur d'accès > Configuration > Options système > Maintenance).

### Informations complémentaires

Vous trouverez le Manuel d'utilisation sur [www.axis.com](http://www.axis.com).

Rendez-vous sur le site [www.axis.com/techsup](http://www.axis.com/techsup) pour vérifier si des mises à jour de microprogramme sont disponibles pour votre produit réseau. Pour connaître la version du microprogramme actuellement installée, accédez à **Setup > About** (Configuration > À propos de).

Visitez le Centre d'apprentissage AXIS sur [www.axis.com/academy](http://www.axis.com/academy) pour obtenir des formations, des webinaires, des didacticiels et des guides.

### **Informations sur la garantie**

Pour obtenir plus d'amples informations sur la garantie du produit AXIS et des renseignements connexes, allez sur le site [www.axis.com/warranty/](http://www.axis.com/warranty/)

## Rechtlicher Hinweis

Die Video- und Audio-Überwachung kann gesetzlich geregelt sein. Diesbezügliche Gesetze sind von Land zu Land unterschiedlich. Machen Sie sich mit den Gesetzen vor Ort vertraut, bevor Sie dieses Produkt zu Überwachungszwecken benutzen.

Dieses Produkt enthält eine (1) H.264-Decoder-Lizenz und eine (1) AAC-Decoder-Lizenz. Wenn Sie weitere Lizenzen erwerben möchten, wenden Sie sich bitte an Ihren Händler.

## Haftungsausschluss

Dieses Dokument wurde mit äußerster Sorgfalt erstellt. Informieren Sie bitte Ihre Axis Vertretung vor Ort über Ungenauigkeiten oder Auslassungen. Axis Communications AB übernimmt keinerlei Haftung für technische oder typographische Fehler und behält sich das Recht vor, jederzeit ohne vorherige Ankündigung Änderungen am Produkt und an den Handbüchern vorzunehmen. Axis Communications AB übernimmt keinerlei Garantie für den Inhalt dieses Dokuments. Dies gilt auch für die eingeschlossene Gewähr bezüglich der Handelsfähigkeit und Zweckdienlichkeit, ist aber nicht darauf beschränkt. Axis Communications AB ist nicht für direkte oder indirekte Folgeschäden haftbar oder verantwortlich, die in Verbindung mit der Ausstattung, der Leistung und dem Einsatz dieses Produkts entstehen. Dieses Produkt darf nur für seinen vorgesehenen Zweck verwendet werden.

## Rechte zum Schutz des geistigen Eigentums

Axis AB besitzt Rechte zum Schutz des geistigen Eigentums an der Technologie des Produkts, welches in diesem Dokument beschrieben ist. Insbesondere und ohne jedwede Einschränkung können diese Rechte zum Schutz des geistigen Eigentums eines oder mehrerer Patente enthalten, die unter <http://www.axis.com/patent.htm> aufgeführt sind, sowie eines oder mehrere weitere Patente oder Anwendungen, die in den USA oder anderen Ländern zum Patent angemeldet sind.

Dieses Produkt enthält lizenzierte Software von Drittherstellern. Weitere Informationen finden Sie auf der Produktoberfläche unter dem Menüpunkt „About“ (Info).

Dieses Produkt enthält den urheberrechtlich geschützten Quellcode von Apple Computer, Inc., unter den Bedingungen der Apple Public Source License 2.0 (siehe <http://www.opensource.apple.com/apsf>). Dieser Quellcode ist verfügbar unter <http://developer.apple.com/darwin/projects/bonjour/>

## Geräteänderungen

Dieses Gerät darf nur unter strikter Einhaltung der Anleitungen der Benutzerdokumentation installiert und verwendet werden. Dieses Gerät enthält keine benutzerdienlichen Komponenten. Nicht genehmigte Geräteänderungen oder Modifikationen setzen alle geltenden gesetzlichen Zertifikate und Zulassungen außer Kraft.

## Marken

AXIS COMMUNICATIONS, AXIS, ETRAX, ARTPEC und VAPIX sind eingetragene Marken oder Markenmeldungen der Axis AB in verschiedenen Rechtsordnungen. Alle weiteren Firmen- und Produktnamen sind Marken oder eingetragene Marken der jeweiligen Inhaber.

Apple, Boa, Apache, Bonjour, Ethernet, Internet Explorer, Linux, Microsoft, Mozilla, Real, SMPTE, QuickTime, UNIX, Windows, Windows Vista und WWW sind eingetragene Marken der jeweiligen Inhaber. Java und Java-basierte Marken und Logos sind Marken oder eingetragene Marken

von Oracle und/oder seiner Tochterunternehmen. UPnP™ ist ein Gütezeichen der UPnP™ Implementers Corporation. SD, SDHC und SDXC sind Marken oder eingetragene Marken von SD-3C, LLC in den USA und/oder anderen Ländern. Weiterhin sind miniSD, microSD, miniSDHC, microSDHC, microSDXC Marken oder eingetragene Marken von SD-3C, LLC in den USA und/oder anderen Ländern.

## Support

Wenn Sie technische Unterstützung benötigen, wenden Sie sich bitte an Ihren Axis Händler. Wenn Ihre Fragen nicht sofort beantwortet werden können, leitet Ihr Händler Ihre Anfragen an die zuständigen Stellen weiter, damit Sie umgehend Unterstützung erhalten. Wenn Sie über eine Internetverbindung verfügen, können Sie:

- Benutzerhandbücher und Softwareaktualisierungen herunterladen
- Antworten auf bereits gelöste Probleme in der FAQ-Datenbank finden Eine Suche auf der Grundlage eines Produkts, einer Kategorie oder eines Satzes
- Axis Supportmitarbeiter über Probleme informieren, indem Sie sich in Ihrem persönlichen Supportbereich anmelden
- Chat mit Axis Supportmitarbeitern (nur in bestimmten Ländern möglich)
- Axis Support im Internet: [www.axis.com/techsup/](http://www.axis.com/techsup/)

## Erfahren Sie mehr!

Besuchen Sie das Axis-Schulungszentrum [www.axis.com/academy/](http://www.axis.com/academy/) für anregende Schulungen, Webinare, Tutorien und Anleitungen.

## Zulassungsrelevante Informationen

### Europa



Dieses Produkt entspricht den anwendbaren CE-Kennzeichnungsrichtlinien und vereinheitlichten Standards:

- Elektromagnetische Verträglichkeit von Elektro- und Elektronikprodukten (EMV) – Richtlinie 2004/108/EG. Siehe *Hinweise zur elektromagnetischen Verträglichkeit (EMV)*, auf Seite 43.
- Niederspannung (LVD) – Richtlinie 2006/95/EG. Siehe *Sicherheit*, auf Seite 44.
- Beschränkung der Verwendung bestimmter gefährlicher Stoffe in Elektro- und Elektronikgeräten (RoHS) – Richtlinie 2011/65/EU. Siehe *Entsorgung und Recycling*, auf Seite 44.

Eine Kopie des Originals der Konformitätserklärung ist bei der Axis Communications AB erhältlich. Siehe *Kontaktinformationen*, auf Seite 44.

## Hinweise zur elektromagnetischen Verträglichkeit (EMV)

Dieses Gerät wurde konzipiert und getestet für nachstehende Standards:

- Radiofrequenzemission, wenn es entsprechend den Anleitungen installiert und in seiner angedachten Umgebung verwendet wird.
- Immunität gegen elektrische und elektromagnetische Phänomene, wenn es entsprechend den Anleitungen installiert und in seiner angedachten Umgebung verwendet wird.

### USA

Dieses Gerät wurde gemäß Teil 15 der FCC-Bestimmungen unter Verwendung eines abgeschirmten Netzkabels (STP) mit den Grenzwerten eines digitalen Gerätes der Klasse B geprüft. Diese Grenzwerte bieten einen angemessenen Schutz gegen schädliche Störungen bei der Installation in einem Wohngebiet. Dieses Gerät erzeugt und

nutzt hochfrequente Energie und kann diese abstrahlen. Wenn das Gerät nicht anweisungsgemäß installiert und eingesetzt wird, kann es schädliche Störungen im Funkverkehr verursachen. Es kann jedoch nicht garantiert werden, dass bei bestimmten Installationen keine Störungen auftreten. Bei einer Störung des Radio- oder Fernsehempfangs durch dieses Gerät (dies kann durch Aus- und Wiedereinschalten des Geräts festgestellt werden), sollten Sie versuchen, die Störung durch eine oder mehrere der folgenden Maßnahmen zu beheben:

- Richten Sie die Empfangsantenne neu aus oder bringen Sie sie an einem anderen Ort an.
- Vergrößern Sie den Abstand zwischen dem Gerät und dem Empfänger.
- Schließen Sie das Gerät an eine Steckdose eines anderen Stromkreises an, als der, an den der Empfänger angeschlossen ist.
- Ziehen Sie den Händler oder einen qualifizierten Radio- und Fernsehtechniker zu Rate.

#### Canada

Dieser Apparat der Klasse B erfüllt die ICES-003 Kanadas.

#### Europa

Dieses digitale Gerät erfüllt die Anforderungen der RF-Emission gemäß der Grenzen der Klasse B von EN 55022.

Dieses Produkt erfüllt die Anforderungen für Immunität gemäß EN 61000-6-1 der Wohn-, kommerziellen und Leichtindustriegebiete.

Dieses Produkt erfüllt die Anforderungen für Immunität gemäß EN 61000-6-2 der Industriegebiete.

Dieses Produkt erfüllt die Anforderungen für Immunität gemäß EN 55024 für Büro- und Industrieumgebungen.

#### Australien/Neuseeland

Dieses digitale Gerät erfüllt die Anforderungen für RF-Emission gemäß der Grenzen der Klasse B der AS/NZS CISPR 22.

#### Japan

この装置は、クラスB 情報技術装置です。この装置は、家庭環境で使用することを目的としていますが、この装置がラジオやテレビジョン受信機に近接して使用されると、受信障害を引き起こすことがあります。取扱説明書に従って正しい取り扱いをして下さい。

#### Korea

이 기기는 가정용(B급) 전자파적합기기로서 주로 가정에서 사용하는 것을 목적으로 하며, 모든 지역에서 사용할 수 있습니다.

#### Sicherheit


Dieses Produkt entspricht der IEC/EN/UL60950-1, Sicherheit von Einrichtungen der Informationstechnik.

Die für dieses Produkt verwendete Stromversorgung muss die Anforderungen für Schutzkleinspannung (SELV) und für Stromquellen mit begrenzter Leistung (LPS) entsprechend der IEC/EN/UL60950-1 erfüllen.

#### Entsorgung und Recycling

Wenn dieses Produkt ausgedient hat, entsorgen Sie es entsprechend der geltenden Gesetze und Bestimmungen. Für Informationen zu Ihrem nächstliegenden Wertstoffhof kontaktieren Sie bitte die örtliche Behörde für Abfallentsorgung. Gemäß den örtlichen gesetzlichen Regelungen können Geldstrafen für die nicht fachgerechte Entsorgung verhängt werden.



**Europa**  Dieses Symbol bedeutet, dass das Produkt nicht zusammen mit Hausmüll oder Gewerbeabfall entsorgt werden darf. Die Richtlinie 2012/19/EU für elektrischen Müll und elektronische Geräte (WEEE) ist in den Ländern der Europäischen Union anzuwenden. Um potentiellen Schaden für Mensch und Umwelt zu vermeiden, muss das Produkt durch einem geprüften und umweltverträglichen Recycling-Prozess entsorgt werden. Für Informationen zu Ihrem nächstliegenden Wertstoffhof kontaktieren Sie bitte die örtliche Behörde für Abfallentsorgung. Unternehmen sollten den Produktlieferanten kontaktieren, um zu erfahren wie sie dieses Produkt richtig entsorgen können.

Dieses Produkt entspricht der Richtlinie 2011/65/EU bezüglich der Einschränkung der Verwendung bestimmter gefährdender Substanzen in Elektro- und Elektronikgeräten (RoHS).



**China** Dieses Produkt unterliegt den Anforderungen der zentralen Verwaltungsorgane bezüglich der Kontrolle von Umweltverschmutzungen durch elektronische Produkte.

#### Kontaktinformationen

Axis Communications AB

Emdalavägen 14

223 69 Lund

Schweden

Tel: +46 46 272 18 00

Fax: +46 46 13 61 30

[www.axis.com](http://www.axis.com)

## Sicherheitsinformation

Lesen Sie das Installationshandbuch sorgfältig durch bevor sie das Produkt installieren. Bewahren Sie das Installationshandbuch für zukünftige Zwecke auf.

### Gefährdungsstufen

**▲GEFAHR**

Weist auf eine gefährliche Situation hin, die, falls nicht verhindert, zu Tod oder schweren Verletzungen führen kann.

**▲WARNUNG**

Weist auf eine gefährliche Situation hin, welche, falls nicht verhindert, zu Tod oder schweren Verletzungen führen kann.

**▲VORSICHT**

Weist auf eine gefährliche Situation hin, welche, falls nicht verhindert, zu geringfügiger oder mäßiger Verletzung führen kann.

**HINWEIS**

Weist auf eine gefährliche Situation hin, welche, falls nicht verhindert, zu Sachschäden führen kann.

### Weitere Nachrichtenstufen

**Wichtig**

Weist auf wichtige Informationen hin, die den richtigen Betrieb des Produkts gewährleisten.

**Beachten**

Weist auf nützliche Informationen hin, die die optimale Verwendung des Produkts unterstützen.

## Sicherheitsanweisungen

### **HINWEIS**

- Die Anwendung des Axis Produkts muss unter Beachtung der örtlich geltenden rechtlichen Bestimmungen erfolgen.
- Bei der Anwendung von Axis Produkten im Außenbereich oder ähnlichen Umgebungen, müssen diese in zugelassenen Außengehäusen installiert werden.
- Lagern Sie das Axis Produkt in einer trockenen und belüfteten Umgebung.
- Achten Sie darauf, dass das Axis Produkt weder Stößen noch starkem Druck ausgesetzt ist.
- Installieren Sie das Produkt nicht an instabilen Halterungen, Oberflächen oder Wänden.
- Verwenden Sie bei der Installation des Axis Produkts ausschließlich passende Werkzeuge. Ein zu großer Kraftaufwand kann das Produkt beschädigen.
- Verwenden Sie keine chemischen, ätzenden oder aerosolhaltigen Reinigungsmittel. Verwenden Sie zum Reinigen ein sauberes, mit sauberem Wasser angefeuchtetes Tuch.
- Verwenden Sie nur Zubehör, das den technischen Daten des Produkts entspricht. Dieses ist von Axis oder Drittanbietern erhältlich.
- Verwenden Sie ausschließlich Ersatzteile die von Axis bereitgestellt oder empfohlen werden.
- Versuchen Sie nicht, das Produkt selbstständig zu reparieren. Wenden Sie sich bezüglich Reparatur und Wartung an den Axis Support oder Ihren Axis Händler.

## Transport

### **HINWEIS**

- Bei Bedarf Axis Produkt in der Originalverpackung oder entsprechenden Verpackung transportieren, so dass Schäden vermieden werden.

## Batterie

Das Axis-Produkt ist mit einer 3,0-V-CR2032-Lithium-Batterie ausgestattet, mit der die interne Echtzeituhr (RTC) versorgt wird. Unter normalen Bedingungen hat die Batterie eine Lebensdauer von mindestens fünf Jahren.

Bei entladener Batterie ist der Betrieb der Echtzeituhr nicht mehr gewährleistet, sodass die Uhr bei jedem Systemstart zurückgesetzt wird. Sie erhalten eine Protokollnachricht, wenn ein Batteriewechsel erforderlich ist.

Die Batterie sollte nur bei Bedarf ersetzt werden. Wenden Sie sich in diesem Fall an den Axis Support unter [www.axis.com/techsup/](http://www.axis.com/techsup/).

### **⚠WARNUNG**

- Explosionsgefahr bei fehlerhaftem Batteriewechsel.
- Die Batterie darf nur durch eine identische Batterie oder eine von Axis empfohlene Batterie ersetzt werden.
- Verbrauchte Batterien sind gemäß den örtlichen Vorschriften oder den Anweisungen des Herstellers zu entsorgen.





## Installationsanleitung

In dieser Anleitung wird die Installation der <keep>AXIS Q1614</keep>-Netzwerk-Kamera in Ihrem Netzwerk beschrieben. Weitere Informationen zur Nutzung dieses Produktes finden Sie im Benutzerhandbuch unter [www.axis.com](http://www.axis.com).

## Installationsschritte

1. Stellen Sie sicher, dass die Packungsinhalte, Werkzeuge und andere notwendige Materialien für die Installation in Ordnung sind. Siehe *Seite 49*.
2. Machen Sie sich mit der Hardware-Übersicht vertraut. Siehe *Seite 50*.
3. Machen Sie sich mit den technischen Daten vertraut. Siehe *Seite 55*.
4. Installieren Sie die Hardware. Siehe *Seite 58*.
5. Zugriff auf das Produkt. Siehe *Seite 59*.
6. Stellen Sie den Fokus ein. Siehe *Seite 59*.

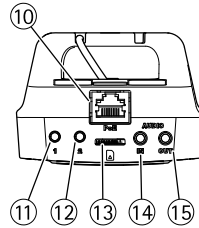
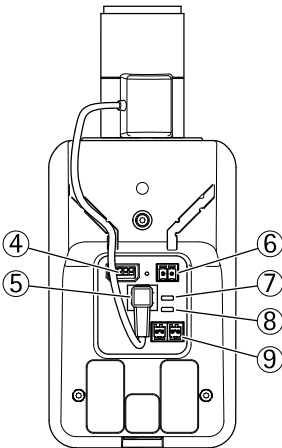
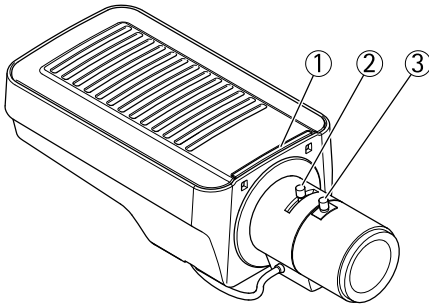
## Lieferumfang

- <keep>AXIS Q1614</keep>-Netzwerk-Kamera
- 2-poliger Anschlussblock für Stromeingang
- 4-poliger E/A-Anschlussblock für den Anschluss externer Geräte
- Kameramontagefuß
- <keep>Torx T20</keep>-Schraubendreher
- CD-ROM mit Installations- und Verwaltungssoftware
- Dokumente
  - Installationsanleitung (dieses Dokument)
  - Zusätzliche Etiketten mit der Seriennummer (2x)
  - AVHS-Authentifizierungsschlüssel

## Optionales Zubehör

Unter [www.axis.com](http://www.axis.com) finden Sie Informationen zu dem verfügbaren Zubehör wie Zubehör für die Stromversorgung und Gehäuse für den Einsatz in Außenbereichen.

## Hardwareübersicht



1. LED-Statusanzeige
2. Zoomregler
3. Schärferegler
4. E/A-Anschluss
5. Blendenanschluss
6. Netzanschluss
7. LED-Betriebsanzeige
8. LED-Netzwerkanzeige
9. RS485-/RS422-Anschluss
10. Netzwerkanschluss (PoE)

11. *Steuertaste (1)*
12. *Funktionstaste (2)*
13. *microSD-Kartensteckplatz*
14. *Audioeingang*
15. *Audioausgang*

## LED-Anzeigen

LED	Farbe	Bedeutung
Netzwerk	Grün	Leuchtet bei Verbindung mit einem 100 MBit/s-Netzwerk. Blinkt bei Netzwerkaktivität.
	Gelb	Leuchtet bei Verbindung mit einem 10 MBit/s-Netzwerk. Blinkt bei Netzwerkaktivität.
	Leuchtet nicht	Keine Netzwerkverbindung vorhanden.
Status	Grün	Leuchtet bei Normalbetrieb grün.
	Gelb	Leuchtet beim Start und beim Wiederherstellen der Einstellungen.
	Rot	Blinkt langsam bei einem Aktualisierungsfehler.
Stromversorgung	Grün	Normaler Betrieb.
	Gelb	Blinkt grün/gelb bei der Firmware-Aktualisierung.

## Beachten

- Die Status-LED kann so eingestellt werden, dass sie während des Normalbetriebs nicht leuchtet. Diese Konfiguration können Sie unter **Setup > System Options > Ports & Devices > LED** (Einrichtung> Systemoptionen > Ports & Geräte > LED) einstellen. Weitere Informationen finden Sie in der Online-Hilfe.
- Die Status-LED kann so eingestellt werden, dass sie blinkt, wenn ein Ereignis aktiv ist.
- Die Status-LED kann so eingestellt werden, dass sie blinkt, wenn die Einheit erkannt wird. Rufen Sie **Setup > System Options > Maintenance** (Einrichtung > Systemoptionen > Wartung) auf.
- Die Netz-LED kann so eingestellt werden, dass sie während des Normalbetriebs nicht leuchtet. Diese Konfiguration können Sie unter **Setup > System Options > Ports & Devices > LED** (Einrichtung> Systemoptionen > Ports & Geräte > LED) einstellen. Weitere Informationen finden Sie in der Online-Hilfe.
- Die Netzwerk-LED kann deaktiviert werden, sodass Sie bei Datenverkehr über das Netzwerk nicht blinkt. Diese Konfiguration können Sie unter **Setup > System Options > Ports & Devices > LED** (Einrichtung> Systemoptionen > Ports & Geräte > LED) einstellen. Weitere Informationen finden Sie in der Online-Hilfe.

## Verhalten der LED-Statusanzeige für den Fokus-Assistenten

Farbe	Bedeutung
Grün	Der Fokus-Assistent ist aktiviert. Das Objektiv ist optimal eingestellt.
Gelb	Die Kamera wurde bewegt oder vor dem Objektiv wurde ein Gegenstand platziert. Beenden Sie den Fokus-Assistenten und starten Sie ihn neu. Das Objektiv ist nicht optimal eingestellt.
Rot	Die Kamera wurde bewegt oder vor dem Objektiv wurde ein Gegenstand platziert. Beenden Sie den Fokus-Assistenten und starten Sie ihn neu. Das Objektiv ist unzureichend eingestellt.

## Summton für Fokus-Assistenten

Summer	Objektiv
Kurzes Intervall	Optimal eingestellt
Mittellanges Intervall	Nicht ganz optimal eingestellt
Langes Intervall	Unzureichend eingestellt

## Verhalten der LED-Statusanzeige und Summton für den Ausrichtungsassistenten

Für Informationen zur Verwendung der Funktionstaste bei der Ausrichtung der Kamera siehe *Anschlüsse und Tasten*.

Farbe	Summer	Kameraposition
Durchgehend grün	Durchgehender Ton	Ausgerichtet
Grün blinkend	Kurzes Intervall	Nahezu ausgerichtet
Orange blinkend	Mittellanges Intervall	Nicht ausgerichtet
Rot blinkend	Langes Intervall	Unzureichend ausgerichtet

## Anschlüsse und Tasten

Für die technischen Daten und Betriebsbedingungen siehe *Seite 55*.

### Netzwerkanschluss

RJ45-Ethernetanschluss. Unterstützt Power over Ethernet (PoE).

#### **HINWEIS**

Das Produkt sollte mit einem abgeschirmten Netzwerkkabel (STP) angeschlossen werden. Alle Kabel, die das Produkt mit dem Netzwerkschwitch verbinden, sollten abgeschirmt (STP) und nur für die bestimmte Anwendung eingesetzt werden. Stellen Sie sicher, dass der Netzwerkschwitch vorschriftsmäßig geerdet ist. Für Informationen zu den gesetzlichen Vorschriften siehe *Zulassungsrelevante Informationen, auf Seite 43*.

### E/A-Anschluss

Dieser Anschluss wird für Anwendungen wie Bewegungserkennung, Ereignisauslösung, Zeitrafferaufzeichnungen und Alarmbenachrichtigungen verwendet. Zusätzlich zu den Anschlüssen für die Zusatzstromversorgung und Masse fungiert der E/A-Anschluss als Schnittstelle für:

- **Digitalausgang** – Zum Anschluss externer Geräte wie Relais und LEDs. Angeschlossene Geräte können über die VAPIX® Application Programming Interface (Programmierschnittstelle) über die Schaltflächen für den Ausgang auf der Seite „Live View“ oder durch eine Aktionsregel aktiviert werden. Der Ausgang wird als aktiviert (siehe **System Options > Ports & Devices** (Systemoptionen > Anschlüsse und Geräte)) angezeigt, wenn das Alarmmeldegerät eingeschaltet ist.
- **Digitaleingang** – Alarmeingang für den Anschluss von Geräten, die zwischen geöffnetem und geschlossenem Schaltkreis wechseln können, z. B.: PIR-Kameras, Tür-/Fensterkontakte, Glasbruchmelder usw. Bei Empfang eines Signals ändert

sich der Status und der Eingang wird aktiviert (siehe **System Options > Ports & Devices**(Systemoptionen > Ports und Geräte)).

### Netzanschluss

2-poliger Anschlussblock für die Stromversorgung. Verwenden Sie eine mit den Anforderungen für Schutzkleinspannung (SELV) kompatible Stromquelle mit begrenzter Leistung (LPS) mit einer Nennausgangsleistung von  $\leq 100$  W oder einem dauerhaft auf  $\leq 5$  A begrenzten Nennausgangsstrom.

### Audioanschlüsse

Das Axis-Produkt ist mit den folgenden Audioanschlüssen ausgestattet:

- **Audioeingang (rosa)** – 3,5-mm-Anschluss für ein Monomikrofon oder ein Monosignal (der linke Kanal wird von einem Stereosignal benutzt).
- **Audioausgang (grün)** – 3,5-mm-Audioausgang (Leitungspegel) zum Anschließen einer Rundrufanlage (PA) oder eines Aktivlautsprechers mit integriertem Verstärker. Für den Audioausgang muss ein Stereostecker verwendet werden.

### RS485-/RS422-Anschluss

Zwei 2-polige Anschlussblöcke für serielle Schnittstellen vom Typ RS485/RS422 zur Steuerung von Zusatzgeräten, z. B. PTZ-Geräten.

### SD-Kartensteckplatz

Zur lokalen Aufzeichnung mit Wechselmedien kann eine microSD-Speicherkarte (nicht im Lieferumfang enthalten) verwendet werden. Für weitere Informationen siehe *Technische Daten*, auf Seite 55.

### **HINWEIS**

Um einer Beschädigung der Aufnahmen vorzubeugen, sollte die SD-Karte vor dem mechanischen Auswerfen getrennt (deaktiviert) werden. Rufen Sie zum Trennen **Setup (Einrichtung) > System Options (Systemoptionen) > Storage (Speichermedien) > SD Card (SD-Karte)** auf und klicken Sie auf **Unmount (Trennen)**.

### Steuertaste

Die Steuertaste hat folgende Funktionen:

- Zurücksetzen des Produkts auf Werkseinstellungen. Siehe Seite 61.
- Verbinden mit einem AXIS Video Hosting System-Service oder einem AXIS Internet Dynamic DNS-Service. Weitere Informationen zu diesen Diensten finden Sie in der Bedienungsanleitung.

## Funktionstaste

Die Funktionstaste hat mehrere Aufgaben:

- **Ausrichtungsassistent:** Diese Funktion unterstützt Sie bei der Ausrichtung der Kamera. Drücken Sie die Taste für ca. 2 Sekunden, um den Ausrichtungsassistenten zu starten. Drücken Sie die Taste erneut, um den Ausrichtungsassistenten zu deaktivieren. Die LED-Statusanzeige (siehe *Seite 53*) und der Summton (siehe *Seite 52*) unterstützen Sie bei der Ausrichtung der Kamera. Die Kamera ist korrekt ausgerichtet, wenn der Summton durchgehend ertönt.
- **Fokus-Assistent:** Mit dieser Funktion wird der Fokus-Assistent aktiviert. Drücken Sie die Taste kurz, um den Fokus-Assistenten zu aktivieren. Zum Beenden des Fokus-Assistenten drücken Sie die Taste erneut. Für weitere Informationen siehe *Seite 60*

## Technische Daten

### Betriebsbedingungen

Das Axis Produkt ist für die Verwendung in Innenräumen ausgelegt.

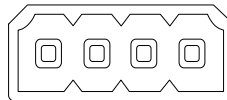
Produkt	Temperatur	Luftfeuchtigkeit
AXIS Q1614	0 °C bis 50 °C (32 °F bis 122 °F)	20 bis 85 % relative Luftfeuchtigkeit (nicht kondensierend)

### Anschlüsse

#### E/A-Klemmanschluss

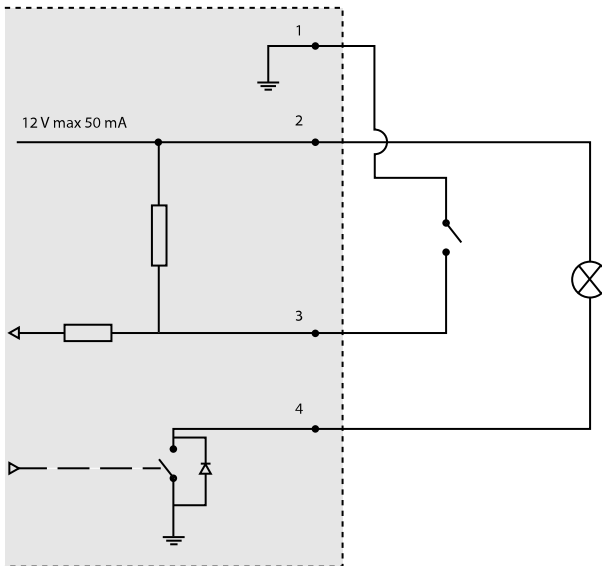
4-poliger Anschlussblock für:

- Digitaleingang
- Digitalausgang
- Zusatzstromversorgung und Masse (GND)



Funktion	K-on-t-akt	Hinweise	Technische Daten
GND	1	Masse	

Gleichstrom 12 V	2	Kann für die Stromversorgung von Zusatzgeräten verwendet werden. Hinweis: Dieser Kontakt kann nur für den Stromausgang verwendet werden.	Max. Stromstärke = 50 mA
Konfigurierbar (Ein- oder Ausgang)	3-4	Digitaleingang – zum Aktivieren mit dem Massekontakt verbinden; zum Deaktivieren nicht anschließen.	Gleichstrom 0 bis +30 V
		Digitalausgang – bei Aktivierung interne Verbindung mit Masse; wenn deaktiviert: frei (nicht verbunden). Bei Verwendung mit einer induktiven Last, z. B. einem Relais, muss parallel zur Last zum Schutz vor Spannungsspitzen eine Diode zwischengeschaltet werden.	Max. Stromstärke = 100 mA Max. Spannung = Gleichstrom +30 V



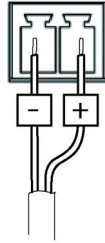
3. E/A als Eingang konfiguriert
4. E/A als Ausgang konfiguriert



## Netzanschluss

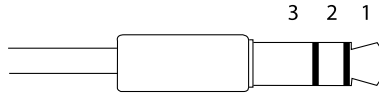
2-poliger Anschlussblock für die Stromversorgung. Verwenden Sie eine mit den Anforderungen für Schutzkleinspannung (SELV) kompatible Stromquelle mit begrenzter Leistung (LPS) mit einer Nennausgangsleistung von  $\leq 100$  W oder einem dauerhaft auf  $\leq 5$  A begrenzten Nennausgangsstrom.

### Gleichstromanschluss



## Audioanschlüsse

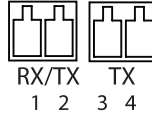
3,5-mm-Audioanschlüsse (stereo)



	Audioeingang	Audioausgang
1 Spitze	Symmetrischer Mikrofon-Pluseingang (+)/unsymmetrischer Mikrofon-/Leitungseingang	Leitungsausgang (mono)
2 Ring	Symmetrischer Mikrofon-Minuseingang (-)	
3 Schaft	Masse	Masse

## RS485-/RS422-Anschluss

Zwei 2-polige Anschlussblöcke für serielle Schnittstellen vom Typ RS485/RS422. Der serielle Anschluss kann in den folgenden Anschlussmodi konfiguriert werden:



- zweiadrigter RS485-Halbduplex-Anschluss
- vieradriger RS485-Vollduplex-Anschluss
- zweiadrigter RS422-Simplex-Anschluss
- vieradriger RS422-Vollduplex-Anschluss (Punkt-zu-Punkt-Verbindung)

Funktion	Kon-tak	Hinweise
RS485B Alt RS485/422 RX(B)	1	RX Paar für alle Modi (kombiniertes RX/TX für 2-Kabel RS485)
RS485A Alt RS485/422 RX(A)	2	
RS485/RS422 TX(B)	3	TX-Paar für RS422 und 4-Kabel RS485
RS485/RS422 TX(A)	4	

### Wichtig

Die empfohlene maximale Kabellänge ist 30 m (98,4 ft).

## SD-Kartensteckplatz

Unterstützt microSD-Karten mit bis zu 64 GB Speicherplatz. Verwenden Sie eine microSDHC- oder microSDXC-Karte der Geschwindigkeitsklasse 10, um optimale Aufzeichnungsergebnisse zu erzielen.

## Installieren der Hardware

### HINWEIS

Aufgrund örtlicher Vorschriften oder der umweltbedingten und elektrischen Bedingungen, unter denen das Produkt verwendet wird, kann ein abgeschirmtes Netzkabel (STP) empfehlenswert oder notwendig sein. Alle Netzkabel, die im Außenbereich oder in schwierigen elektrischen Umgebungen verlegt werden, sollten abgeschirmt (STP) und nur für die jeweilige Anwendung eingesetzt werden.

1. Schließen Sie bei Bedarf externe Eingabe-/Ausgabegeräte wie Alarmanlagen an. Für Informationen zur Anschlussbelegung siehe *Anschlüsse, auf Seite 55*.

2. Zusätzlich können Sie außerdem einen Aktivlautsprecher und/oder ein externes Mikrofon anschließen.
3. Verbinden Sie die Kamera über ein abgeschirmtes Netzkabel mit dem Netzwerk.
4. Schließen Sie die Kamera auf eine der folgenden Arten an die Stromversorgung an:
  - PoE (Power over Ethernet). PoE wird beim Anschließen des Netzkabels automatisch erkannt.
  - Verbinden Sie ein externes Netzteil mit dem Anschlussblock für die Stromversorgung. Siehe *Anschlüsse und Tasten, auf Seite 53*.
5. Überprüfen Sie, ob die LED-Anzeigen die Betriebszustände korrekt angeben. Für weitere Details siehe die Tabelle auf *Seite 51*. Beachten Sie, dass die Status-LED so konfiguriert werden kann, dass sie bei normalem Betrieb nicht leuchtet.
6. Setzen Sie optional eine microSD-Karte (nicht im Lieferumfang enthalten) in den SD-Kartensteckplatz ein.

## HINWEIS

Um die Beschädigung der Aufzeichnungen zu verhindern, muss die SD-Karte vor dem mechanischen Auswerfen deaktiviert (getrennt) werden. Rufen Sie zum Deaktivieren **Setup > System Options > Storage > SD Card** (Einrichten> Systemoptionen> Speicher> SD-Karte) auf und klicken Sie auf **Unmount** (Deaktivieren).

## Zugriff auf das Produkt

Verwenden Sie die bereitgestellten Tools der Installations- und Management-Software-CD, um eine IP-Adresse zuzuordnen, ein Passwort einzurichten und auf den Videostream zuzugreifen. Diese Information finden Sie ebenso auf den Support-Seiten unter [www.axis.com/techsup/](http://www.axis.com/techsup/)

## Einstellen der Bildschärfe

Befolgen Sie die folgenden Anweisungen, um Zoom und Bildschärfe einzustellen:

### Beachten

- Stellen Sie die Bildschärfe so präzise wie möglich über den Schärfe regler oder den Fokus-Assistenten ein, bevor Sie die automatische Feinabstimmung starten. Der Schärfe regler liefert in der Regel die besten Ergebnisse.
  - Die Blende muss beim Fokussieren Kamera vollständig geöffnet sein. Dadurch werden die geringste Schärfentiefe und damit die optimalen Voraussetzungen für die richtige Fokussierung erreicht.
1. Rufen Sie die Startseite des Produkts auf und gehen Sie zu **Setup (Einrichtung) Basic Setup (Standardeinstellung) Focus (Fokus)**.
  2. Klicken Sie unter der Registerkarte **Basic (Standard)** auf **Open iris (Blende öffnen)**. Ist diese Schaltfläche deaktiviert, ist die Blende bereits vollständig geöffnet.

3. Wenn die Bildschärfe bereits eingestellt wurde, klicken Sie auf **Reset (Zurücksetzen)**, um das Auflagemaß zurückzusetzen.
4. Lösen Sie den Zoomregler und den Schärferegler am Objektiv (siehe *Hardwareübersicht, auf Seite 50*), indem Sie sie gegen den Uhrzeigersinn drehen. Bewegen Sie die beiden Regler und stellen Sie Zoomstärke und Bildschärfe ein. Prüfen Sie die Bildqualität im Bildfenster. Ist die Kamera so montiert, dass sich die Bildqualität nicht prüfen lässt, während gleichzeitig die Regler bewegt werden, können Sie stattdessen den Fokus-Assistenten verwenden. Siehe *Fokus-Assistent, auf Seite 60*.
5. Drehen Sie Zoomregler und Schärferegler wieder fest.
6. Klicken Sie auf der Fokus-Seite auf **Fine-tune focus automatically (Automatische Feinabstimmung der Bildschärfe)** und warten Sie, bis die automatische Feinabstimmung abgeschlossen ist.
7. Klicken Sie auf **Enable iris (Blende aktivieren)**. Ist diese Schaltfläche deaktiviert, ist die Blende bereits aktiviert.
8. Auf der Registerkarte **Advanced (Erweitert)** können Sie bei Bedarf weitere Einstellungen vornehmen. Weitere Informationen finden Sie in der Online-Hilfe.

## Fokus-Assistent

### Beachten

- Während der Fokussierung der Kamera (Schritte 5 und 6) muss das Sichtfeld der Kamera unverändert bleiben. Falls Sie die Kamera bewegen oder wenn ein Finger oder ein Gegenstand vor dem Objektiv platziert wird, müssen Sie die Schritte 3 bis 7 wiederholen.
- Wenn Bewegungen vor der Kamera nicht vermieden werden können, sollten Sie den Fokus-Assistenten nicht verwenden.
- Wenn die Kamera so montiert ist, dass die Betätigung der Funktionstaste nicht möglich ist, können Sie den Fokus-Assistenten trotzdem verwenden. Folgen Sie den Anweisungen oben, aber hängen Sie die Kamera stattdessen nach Schritt 4 ein (Funktionstaste drücken) und überspringen Sie Schritt 7.

Befolgen Sie zur Fokussierung Ihrer Netzwerk-Kamera mit dem Fokus-Assistenten zunächst die Anweisungen in den Schritten 1 bis 3 auf *Seite 59*, bevor Sie die folgenden Schritte ausführen. Siehe *Hardwareübersicht, auf Seite 50*.

1. Fixieren oder platzieren Sie die Kamera so, dass sie nicht bewegt werden kann.
2. Lösen Sie den Zoomregler, indem Sie ihn gegen den Uhrzeigersinn drehen. Bewegen Sie den Regler und stellen Sie die Zoomstärke ein. Drehen Sie den Zoomregler wieder fest.
3. Stellen Sie die Kamera auf die weiteste Fernfokus-Position ein, indem Sie den Schärferegler lösen und das Objektiv vollständig im Uhrzeigersinn drehen.
4. Drücken Sie kurz die Funktionstaste. Wenn die Status-LED grün blinkt, ist der Fokus-Assistent aktiviert.

Wenn die Status-LED rot oder gelb blinkt, bevor Sie das Objektiv einstellen können, fahren Sie mit Schritt 7 fort, um den Fokus-Assistenten zu beenden, und wiederholen

die Schritte 3 bis 7. Weitere Informationen finden Sie in den Hinweisen oben. Siehe *Verhalten der LED-Statusanzeige für den Fokus-Assistenten, auf Seite 52*.

5. Drehen Sie das Objektiv vorsichtig gegen den Uhrzeigersinn bis zum Anschlag.
6. Drehen Sie das Objektiv dann langsam im Uhrzeigersinn, bis die Statusanzeige grün oder gelb blinkt (nicht rot).
7. Drehen Sie den Schärferegler wieder fest.
8. Öffnen Sie die Seite **Live View (Live-Ansicht)** im Webbrowser und überprüfen Sie die Bildqualität.
9. Führen Sie anschließend die Schritte 6 bis 8 auf *Seite 59* aus.

## Wechsel des Objektivs

Das Axis-Produkt kann mit optionalen Objektiven verwendet werden.

So wird das Objektiv gewechselt:

1. Ziehen Sie das Blendenkabel ab.
2. Drehen Sie das Standardobjektiv heraus.
3. Setzen Sie das neue Objektiv an und drehen Sie es fest.

## Zurücksetzen auf werkseitige Standardeinstellungen

### Wichtig

Das Zurücksetzen auf die werkseitigen Standardeinstellungen sollte mit Vorsicht verwendet werden. Beim Zurücksetzen auf die werkseitigen Standardeinstellungen werden alle Einstellungen einschließlich der IP-Adresse auf die werkseitigen Standardeinstellungen zurückgesetzt.

### Beachten

Die Software-Tools für Installation und Verwaltung sind auf der mit dem Produkt ausgelieferten CD-ROM und über die Supportseiten unter [www.axis.com/techsup](http://www.axis.com/techsup) verfügbar.

So wird das Produkt auf die werkseitigen Standardeinstellungen zurückgesetzt:

1. Trennen Sie das Produkt von der Stromversorgung.
2. Halten Sie die Steuertaste gedrückt und stecken Sie den Netzstecker wieder ein. Siehe *Hardwareübersicht, auf Seite 50*.
3. Halten Sie die Steuertaste etwa 15–30 Sekunden gedrückt, bis die LED-Statusanzeige gelb blinkt.
4. Lassen Sie die Steuertaste los. Der Vorgang ist abgeschlossen, wenn die LED-Statusanzeige grün leuchtet. Das Produkt wurde auf die werkseitigen

Standardeinstellungen zurückgesetzt. Wenn kein DHCP-Server im Netzwerk verfügbar ist, lautet die Standard-IP-Adresse 192.168.0.90.

5. Verwenden Sie die Software-Tools für Installation und Verwaltung, um eine IP-Adresse zuzuweisen, ein Kennwort einzurichten und auf den Videostream zuzugreifen.
6. Justieren Sie den Fokus des Produkts neu.

Die Parameter können auch über die Weboberfläche auf die werksseitigen Standardeinstellungen zurückgesetzt werden. Rufen Sie **Setup > System Options > Maintenance** (Setup > Systemoptionen > Wartung) (Setup > Zugangskontrollenkonfiguration > Setup > Systemoptionen > Wartung) auf.

## Weitere Informationen

Das Benutzerhandbuch ist unter [www.axis.com](http://www.axis.com) erhältlich.

Unter [www.axis.com/techsup](http://www.axis.com/techsup) finden Sie Informationen zu Firmware-Aktualisierungen für Ihr Netzwerkprodukt. Um die aktuell installierte Firmware-Version einzusehen, siehe **Setup > About** (Einrichtung > Über).

Besuchen Sie das Axis-Schulungszentrum [www.axis.com/academy](http://www.axis.com/academy) für anregende Schulungen, Webinare, Tutorien und Anleitungen.

## Garantieinformationen

Informationen zur Garantie der Axis Produkte und hierzu verbundene Informationen, finden Sie unter [www.axis.com/warranty/](http://www.axis.com/warranty/)

## Considerazioni legali

La sorveglianza video e audio può essere regolata da leggi che variano da paese a paese. Controllare le leggi della propria zona prima di utilizzare questo prodotto per scopi di sorveglianza.

Questo prodotto include una (1) licenza di decoder H.264 e una (1) licenza di decoder AAC. Per acquistare licenze aggiuntive rivolgersi al proprio rivenditore Axis.

## Responsabilità

Ogni cura è stata posta nella preparazione di questo documento. Si prega di informare l'ufficio Axis locale per eventuali inesattezze od omissioni. Axis Communications AB non può essere ritenuta responsabile per gli errori tecnici o di stampa e si riserva il diritto di apportare modifiche al prodotto ed ai manuali senza preavviso. Questa documentazione viene fornita senza alcuna garanzia, esplicita o implicita, incluse eventuali garanzie implicite di commerciabilità e idoneità a un determinato scopo. Axis Communications AB non è responsabile per eventuali danni diretti o indiretti derivanti dalla manutenzione, dalle prestazioni o dall'uso del prodotto. Questo prodotto è da utilizzare solo per lo scopo previsto.

## Diritti di Proprietà Intellettuale

Axis AB detiene i diritti di proprietà intellettuale relativi alla tecnologia incorporata nel prodotto descritto in questo documento. In particolare, e senza limitazione, tali diritti di proprietà intellettuale possono includere uno o più dei brevetti elencati nella pagina <http://www.axis.com/patent.htm> e uno o più brevetti aggiuntivi o in attesa di brevetto negli Stati Uniti e in altri paesi.

Questo prodotto contiene software con licenza di terze parti. Per ulteriori informazioni, vedere la voce del menù "Informazioni" nell'interfaccia utente.

Questo prodotto contiene il codice sorgente, copyright di Apple Computer, Inc., ai sensi della Apple Public Source License 2.0 (vedi <http://www.opensource.apple.com/aps/>). Il codice sorgente è disponibile alla pagina <http://developer.apple.com/darwin/projects/bonjour/>

## Modifiche Dispositivo

Questo dispositivo deve essere installato e utilizzato in stretta conformità con le istruzioni fornite nella documentazione per l'utente. Questo dispositivo non contiene componenti riparabili dall'utente. Cambiamenti o modifiche non autorizzate apportate al dispositivo invalideranno tutte le certificazioni e approvazioni regolamentari applicabili.

## Marchi di fabbrica

AXIS COMMUNICATIONS, AXIS, ETRAX, ARTPEC e VAPIX sono marchi registrati o applicazioni con marchio di Axis AB in diverse giurisdizioni. Tutti gli altri nomi di società e prodotti sono marchi di fabbrica o registrati di proprietà delle rispettive società.

Apple, Boa, Apache, Bonjour, Ethernet, Internet Explorer, Linux, Microsoft, Mozilla, Real, SMPTE, QuickTime, UNIX, Windows, Windows Vista e WWW sono marchi di fabbrica registrati dei rispettivi proprietari. Java e tutti i marchi basati su Java e i loghi sono marchi di fabbrica o marchi registrati di Oracle e/o suoi affiliati. UPnP™ è un marchio di certificazione di UPnP™ Implementers Corporation.

SD, SDHC e SDXC sono marchi di fabbrica o registrati di proprietà di SD-3C, LLC negli Stati Uniti, in altri paesi o in entrambe. Inoltre, miniSD, microSD, miniSDHC, microSDHC, microSDXC sono tutti marchi di fabbrica o registrati di

proprietà di SD-3C, LLC negli Stati Uniti, in altri paesi o in entrambe.

## Supporto

Per ottenere assistenza tecnica, rivolgersi al proprio rivenditore Axis. Se il rivenditore non è in grado di risolvere il problema, inoltrerà le richieste dell'utente agli appositi centri specializzati per garantire una risposta rapida. Se si è connessi a Internet, è possibile:


- scaricare la documentazione dell'utente e gli aggiornamenti del software
- trovare le risposte a problemi noti nel database delle domande frequenti (FAQ). Cercare per prodotto, categoria o frase immessa
- segnalare i problemi allo staff di assistenza Axis accedendo alla propria area di supporto privata
- parlare via chat con lo staff di assistenza Axis (solo in alcuni Paesi)
- visitare la pagina di assistenza tecnica Axis all'indirizzo [www.axis.com/techsup/](http://www.axis.com/techsup/)

## Ulteriori informazioni!

Visitare il Centro di apprendimento Axis alla pagina [www.axis.com/academy/](http://www.axis.com/academy/) per servizi di formazione utili, webinar, tutorial e guide.

## Informazioni normative

### Europa

 Questo prodotto è conforme alle direttive CE applicabili e alle norme armonizzate:

- Compatibilità Elettromagnetica (EMC) - Direttiva 2004/108/EC. Consultare *EMC (Electromagnetic Compatibility) - Compatibilità Elettromagnetica, alla pagina 63*.
- Bassa Tensione (LVD) - Direttiva 2006/95/EC. Consultare *Sicurezza, alla pagina 64*.
- Restrizioni all'Uso di Sostanze Pericolose (RoHS) - Direttiva 2011/65/EU. Consultare *Smaltimento e Riciclaggio, alla pagina 64*.

Una copia della dichiarazione di conformità originale può essere richiesta ad Axis Communications AB. Consultare *Informazioni di contatto, alla pagina 64*.

## EMC (Electromagnetic Compatibility) - Compatibilità Elettromagnetica

Questo apparecchio è stato progettato e testato per soddisfare le norme applicabili per:

- Frequenza di emissione radio, se installato secondo le istruzioni e utilizzato nell'ambiente di destinazione.
- Immunità ai fenomeni elettrici ed elettromagnetici, se installato secondo le istruzioni e utilizzato nell'ambiente di destinazione.

## STATI UNITI

Questo dispositivo è stato testato utilizzando un cavo di rete schermato (STP) ed è risultato conforme ai limiti per i dispositivi digitali Classe B, di cui alla parte 15 delle norme FCC. Questi limiti sono stabiliti per fornire una protezione adeguata contro interferenze dannose in installazioni residenziali. Questo dispositivo genera, usa ed emette energia a radiofrequenza e, se non installato ed utilizzato in base alle istruzioni fornite, potrebbe causare interferenze dannose alle comunicazioni radio. Tuttavia, non vi è alcuna garanzia che tali interferenze non si verifichino in una particolare installazione. Se questo dispositivo causa interferenze dannose alla ricezione radio o televisiva, che possono essere determinate accendendo e spegnendo l'apparecchio, l'utente è invitato a cercare di correggere l'interferenza adottando una o più delle seguenti misure:

- Riorientare o riposizionare l'antenna di ricezione.
- Aumentare la distanza tra l'apparecchio e il ricevitore.
- Collegare il dispositivo a una presa su un circuito diverso da quello a cui è collegato il ricevitore.
- Consultare il rivenditore o un tecnico radio/TV esperto.

#### Canada

Questo dispositivo digitale Classe B è conforme con la normativa canadese ICES-003.

#### Europa

Questo dispositivo digitale è conforme ai requisiti per l'emissione di radiofrequenza stabiliti nel limite Classe B della normativa EN55022.

Questo prodotto soddisfa i requisiti di immunità in accordo con la normativa EN 61000-6-1 Ambienti residenziali, commerciali e dell'industria leggera.

Questo prodotto soddisfa i requisiti di immunità in accordo con la normativa EN61000-6-2 Ambienti industriali.

Questo prodotto soddisfa i requisiti di immunità in accordo con la normativa EN55024 Ambienti di lavoro e commerciali

#### Australia/Nuova Zelanda

Questo dispositivo digitale è conforme ai requisiti per l'emissione di radiofrequenza stabiliti nel limite Classe B della normativa AS/NZS CISPR22.

#### Giappone

この装置は、クラスB 情報技術装置です。この装置は、家庭環境で使用することを目的としています。この装置がラジオやテレビジョン受信機に近接して使用されると、受信障害を引き起こすことがあります。取扱説明書に従って正しい取り扱いをして下さい。

#### Corea

이 기기는 가정용(B급) 전자파적합기기로서 주로 가정에서 사용하는 것을 목적으로 하며, 모든 지역에서 사용할 수 있습니다.

#### Sicurezza


Questo prodotto è conforme alla normativa IEC/EN/UL60950-1, Sicurezza dell'Attrezzatura IT.

L'alimentazione elettrica utilizzata con questo prodotto deve soddisfare i requisiti di Bassissima Tensione di Sicurezza (SELV) e con potenza limitata (LPS) secondo la normativa IEC/EN/UL60950-1.


#### Smaltimento e Riciclaggio

Quando il prodotto ha raggiunto la fine della sua vita utile, smaltirlo secondo le leggi e alle normative locali. Per informazioni sul punto di raccolta più vicino, contattare l'autorità locale competente per lo smaltimento dei rifiuti. In conformità con la legislazione locale, possono essere applicate delle sanzioni per lo smaltimento non corretto di questi rifiuti.



**Europa**  Questo simbolo indica che il prodotto non deve essere smaltito insieme ai normali rifiuti domestici o commerciali. La direttiva 2012/19/UE sui rifiuti di apparecchiature elettriche ed elettroniche (RAEE) è applicabile agli stati membri dell'Unione Europea. Per evitare potenziali danni per la salute dell'uomo e per l'ambiente, il prodotto deve essere smaltito in un processo di riciclaggio approvato e sicuro per l'ambiente. Per informazioni sul punto di raccolta più vicino, contattare l'autorità locale competente per lo smaltimento dei rifiuti. Alle imprese è richiesto di contattare il fornitore del prodotto per informazioni su come smaltirlo correttamente.

Questo prodotto è conforme ai requisiti della Direttiva 2011/65/EU sulla restrizione dell'uso di determinate sostanze pericolose nelle apparecchiature elettriche ed elettroniche (RoHS).

**Cina**  Questo prodotto è conforme ai requisiti della normativa Administration on the Control of Pollution Caused by Electronic Information Products (ACPEIP) - Amministrazione sul controllo dell'inquinamento proveniente da prodotti elettronici informatici).

#### Informazioni di contatto

Axis Communications AB  
Emdalavägen 14  
223 69 Lund  
Sweden

Tel.: +46 46 272 18 00  
Fax: +46 46 13 61 30

[www.axis.com](http://www.axis.com)



## Informazioni di Sicurezza

Leggere questa Guida d'Installazione prima di installare il prodotto. Conservare la Guida d'Installazione per usi futuri.

### Livelli di pericolo

**▲PERICOLO**

Indica una situazione pericolosa che, se non evitata, provoca morte o lesioni gravi.

**▲AVVERTENZA**

Indica una situazione pericolosa che, se non evitata, può provocare la morte o lesioni gravi.

**▲ATTENZIONE**

Indica una situazione pericolosa che, se non evitata, può provocare lesioni medie o minori.

**AVVISO**

Indica una situazione che, se non evitata, può danneggiare la proprietà.

### Livelli altro messaggio

**Importante**

Indica informazioni importanti, essenziali per il corretto funzionamento del prodotto.

**Nota**

Indica informazioni utili che aiutano a ottenere il massimo dal prodotto.

## Istruzioni di sicurezza

### **AVVISO**

- Il prodotto Axis deve essere utilizzato in conformità alle leggi e alle disposizioni locali.
- Per utilizzare il prodotto Axis in ambienti esterni, o in ambienti simili, deve essere installato in una custodia per esterni approvata.
- Conservare il prodotto Axis in un ambiente asciutto e ventilato.
- Evitare di esporre il prodotto Axis a urti o pressioni eccessive.
- Non installare il prodotto su supporti, superfici o pareti instabili.
- Utilizzare solo strumenti applicabili quando si installa il prodotto Axis. Una forza eccessiva può causare danni al prodotto.
- Non utilizzare sostanze chimiche, agenti caustici o detergenti aerosol. Utilizzare un panno pulito inumidito in acqua pura per la pulizia.
- Utilizzare solo accessori compatibili con le specifiche tecniche del prodotto. Questi possono essere forniti da Axis o da terze parti.
- Utilizzare solo parti di ricambio fornite o consigliate da Axis.
- Non tentare di riparare il prodotto da soli. Contattare l'assistenza o il rivenditore Axis per questioni relative alla manutenzione

## Trasporti

### **AVVISO**

- Durante il trasporto del prodotto Axis, utilizzare l'imballaggio originale o equivalente per evitare danni al prodotto.

## Batteria

Il prodotto Axis utilizza una batteria al litio da 3,0 V CR2032 come alimentazione per il suo real-time clock (RTC) interno. In condizioni normali questa batteria avrà una durata minima di cinque anni.

Una bassa carica della batteria influisce sul funzionamento del RTC, facendolo resettare a ogni accensione. Un messaggio di registro viene visualizzato quando la batteria deve essere sostituita.

La batteria non deve essere sostituita se non richiesto, ma nel caso in cui ci fosse la necessità di sostituirla, contattare il supporto Axis all'indirizzo [www.axis.com/techsup/](http://www.axis.com/techsup/) per assistenza.

### **⚠AVVERTENZA**

- Rischio di esplosione se la batteria viene sostituita in modo errato.
- Sostituire solo con una batteria identica o una batteria consigliata da Axis.
- Smaltire le batterie usate in base alle normative locali o alle istruzioni del produttore della batteria.



## Guida all'installazione

La presente Guida all'installazione fornisce le istruzioni necessarie per installare la telecamera di rete AXIS Q1614 alla rete. Per ulteriori informazioni sull'utilizzo del prodotto, consultare la Guida per l'utente disponibile all'indirizzo [www.axis.com](http://www.axis.com).

## Procedure di installazione

1. Assicurarsi che il contenuto della confezione, gli strumenti e altri materiali necessari per l'installazione siano in ordine. Consultare *pagina 69*.
2. Studiare la descrizione dell'hardware. Consultare *pagina 70*.
3. Studiare le specifiche. Consultare *pagina 74*.
4. Installare l'hardware. Consultare *pagina 78*.
5. Accedere al prodotto. Consultare *pagina 78*.
6. Impostare la messa a fuoco. Consultare *page 18*.

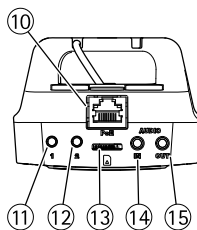
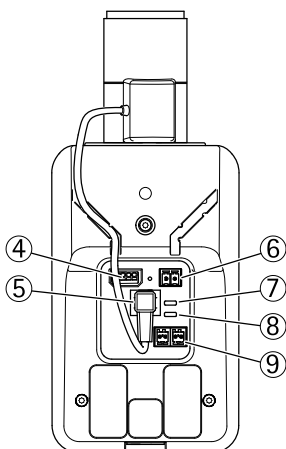
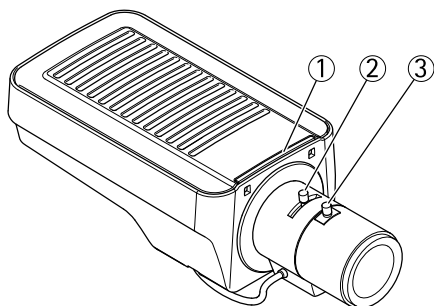
## Contenuto della Confezione

- Telecamera di rete AXIS Q1614
- Morsettiera a 2 pin per ingresso alimentazione.
- Morsettiera I/O a 4 pin per collegare dispositivi esterni
- Cavalletto
- Cacciavite Torx T20
- CD di installazione e gestione del software
- Materiali stampati
  - Guida all'installazione (questo documento)
  - Etichetta aggiuntiva con numero di serie (2)
  - Chiave di autenticazione AVHS

## Accessori opzionali

Per informazioni sugli accessori disponibili, inclusi gli accessori per l'alimentazione e gli alloggiamenti da esterni, visitare il sito Web [www.axis.com](http://www.axis.com).

## Panoramica dell'Hardware



1. *Indicatore LED stato*
2. *Levetta zoom*
3. *Levetta di messa a fuoco*
4. *Connettore I/O*
5. *Connettore del diaframma*
6. *Connettore di alimentazione*
7. *Indicatore LED di alimentazione*
8. *Indicatore LED di rete*
9. *Connettore RS485/RS422*
10. *Connettore di rete (PoE)*

11. Pulsante di comando (1)
12. Tasto Funzione (2)
13. Slot per scheda microSD
14. Ingresso audio
15. Uscita audio

## Indicatori LED

LED	Colore	Indicazione
Rete	Verde	Luce fissa per connessione di rete a 100 MBit/s. Luce lampeggiante: attività di rete.
	Giallo	Luce fissa per connessione di rete a 10 MBit/s. Luce lampeggiante: attività di rete.
	Spento	Assenza di connessione.
LED di stato	Verde	Luce verde fissa: condizioni di normale utilizzo.
	Giallo	Fissa durante l'avvio e quando si ripristinano le impostazioni.
	Rosso	Luce lampeggiante lenta: aggiornamento non riuscito.
Alimentazione	Verde	Normale utilizzo.
	Giallo	Luce lampeggiante verde/gialla: aggiornamento firmware.

### Nota

- Lo status del LED può essere configurato per essere spento durante il normale funzionamento. Per configurarlo, selezionare **Setup (Configurazione) > System Options (Opzioni di sistema) > Ports & Devices (Porte & Dispositivi) > LED**. Per ulteriori informazioni, consultare l'aiuto in linea.
- Il LED di stato può essere configurato per lampeggiare quando un evento è attivo.
- Il LED di stato può essere configurato per lampeggiare per identificare l'unità. Andare su **Setup > System Options > Maintenance (Configurazione > Opzioni di sistema > Manutenzione)**.
- Il LED di alimentazione può essere configurato per essere spento durante il normale funzionamento. Per configurarlo, selezionare **Setup (Configurazione) > System Options (Opzioni di sistema) > Ports & Devices (Porte & Dispositivi) > LED**. Per ulteriori informazioni, consultare l'aiuto in linea.
- Il LED di rete può essere disattivato in modo da non lampeggiare in caso di traffico di rete. Per configurarlo, selezionare **Setup (Configurazione) > System Options (Opzioni di sistema) > Ports & Devices (Porte & Dispositivi) > LED**. Per ulteriori informazioni, consultare l'aiuto in linea.

## Comportamento del LED di stato per Focus Assistant

Colore	Indicazione
Verde	Focus Assistant abilitato. Obiettivo regolato in modo ottimale.
Giallo	Telecamera spostata oppure inserimento di un oggetto davanti all'obiettivo. Uscire e riavviare Focus Assistant. Obiettivo regolato in modo non ottimale.
Rosso	Telecamera spostata oppure inserimento di un oggetto davanti all'obiettivo. Uscire e riavviare Focus Assistant. Obiettivo regolato in modo improprio.

## Segnale acustico per Focus Assistant

Segnale acustico	Obiettivo
Intervallo rapido	Regolato in modo ottimale
Intervallo medio	Regolato in modo meno ottimale
Intervallo lento	Regolato in modo improprio

## Comportamento del LED di stato e del segnale acustico per Levelling Assistant

Per informazioni sul tasto Funzione utilizzato per il livellamento della telecamera, consultare *Connettori e pulsanti*.

Colore	Segnale acustico	Posizione telecamera
Verde fisso	Segnale acustico continuo	Orizzontale
Luce lampeggiante verde	Intervallo rapido	Quasi orizzontale
Luce lampeggiante arancione	Intervallo medio	Non orizzontale
Luce lampeggiante rossa	Intervallo lento	Assolutamente non orizzontale

## Connettori e pulsanti

Per le specifiche e le condizioni di funzionamento, consultare *pagina 74*.



## Connettore di rete

Connettore Ethernet RJ45. Supporta Power over Ethernet (PoE).

### **AVVISO**

Il prodotto deve essere collegato con un cavo di rete schermato (STP). Tutti i cavi che collegano il prodotto allo switch di rete devono essere schermati (STP) e destinati al loro uso specifico. Assicurarsi che lo switch di rete sia correttamente messo a terra. Per maggiori informazioni sui requisiti normativi, consultare *Informazioni normative, alla pagina 63*.

## Connettore I/O

Utilizzare ad esempio nelle applicazioni per rilevazione di movimento, attivazione di eventi, registrazione temporizzata e notifiche di allarme. Oltre a un'alimentazione ausiliaria e a un pin di messa a terra, la morsettiera I/O fornisce l'interfaccia per:

- **Uscita digitale** – Per collegare dispositivi esterni come relè o LED. Le periferiche collegate possono essere attivate tramite VAPIX® API (interfaccia per la programmazione di applicazioni), tramite i pulsanti di comando della pagina Live View (Immagini dal vivo) oppure tramite l'opzione Action Rule (regola di azione). L'uscita verrà visualizzata come attiva (visualizzata in **Opzioni di Sistema > Porte e Dispositivi**) se il dispositivo di allarme è attivato.
- **Ingresso digitale** – Ingresso allarme utilizzabile per collegare le periferiche, che può passare dal circuito chiuso al circuito aperto, ad esempio: Sensori di movimento (PIR), contatti porta/finestra, rilevatori di rottura vetri e così via. Dopo la ricezione del segnale lo stato cambia e l'ingresso diventa attivo (visualizzato in **System Options > Ports & Devices (Opzioni di Sistema > Porte e Dispositivi)**).

## Connettore di alimentazione

Morsettiera a 2 pin per ingresso alimentazione. Utilizzare una sorgente di alimentazione limitata (LPS) compatibile con una bassissima tensione di sicurezza (SELV) con una potenza di uscita nominale limitata a  $\leq 100$  W o una corrente nominale di uscita limitata a  $\leq 5$  A.

## Connettore audio

Il prodotto Axis dispone dei seguenti connettori audio:

- **Ingresso audio (rosa)** – Ingresso audio da 3,5 mm per microfono in mono o segnale mono line-in (il canale sinistro è usato da un segnale stereo).
- **Uscita audio (verde)** – Uscita audio da 3,5 mm (livello di linea) che può essere connessa a un sistema di indirizzo pubblico (PA) o a un altoparlante con amplificatore integrato. Per l'uscita audio è necessario usare un connettore stereo.

## Connettore RS485/RS422

Due morsettiere per l'interfaccia seriale RS485/RS422 utilizzate per il controllo di periferiche ausiliarie come le videocamere PTZ.

## Slot per scheda SD

È possibile utilizzare una scheda microSD (non inclusa) per la registrazione in modalità locale con unità di archiviazione rimovibile. Per ulteriori informazioni, consultare *Dati tecnici, alla pagina 74*.

### **AVVISO**

Per prevenire il danneggiamento delle registrazioni, la scheda SD deve essere smontata prima della rimozione. Per smontare, andare su **Setup > System Options > Storage > SD Card (Configurazione > Opzioni di sistema > Archiviazione > Scheda SD)** e fare clic su **Unmount (Smonta)**.

## Pulsante di comando

Il pulsante di comando viene utilizzato per:

- Ripristino del prodotto alle impostazioni predefinite di fabbrica. Consultare *pagina 80*.
- Collegamento a un servizio AXIS Video Hosting System o AXIS Internet Dynamic DNS Service. Per ulteriori informazioni su questi servizi, consultare il Manuale Utente.

## Tasto Funzione

Il tasto Funzione può essere utilizzato per più finalità:

- **Levelling assistant:** questa funzione aiuta a garantire che la telecamera sia in posizione orizzontale. Premere il pulsante per circa 3 secondi per avviare il levelling assistant e premere nuovamente per interrompere la funzione. Il LED di stato (consultare *pagina 72*) e il segnale acustico (consultare *pagina 72*) sono di ausilio nel livellamento della telecamera. La telecamera è in posizione orizzontale quando il segnale acustico è continuo.
- **Focus assistant:** questa funzione viene utilizzata per abilitare Focus Assistant. Per abilitare la messa a fuoco assistita, premere e rilasciare molto rapidamente il pulsante. Per uscire da Focus Assistant, premere nuovamente il tasto. Per ulteriori informazioni, consultare *pagina 79*.

## Dati tecnici

### Condizioni di funzionamento

Il prodotto Axis è destinato all'uso interno.

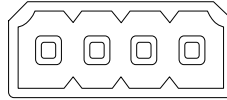
Prodotto	Temperatura	Umidità
AXIS Q1614	Da 0 °C a 50 °C (da 32 °F a 122 °F)	20-85% RH (umidità relativa senza condensa)

## Connettori

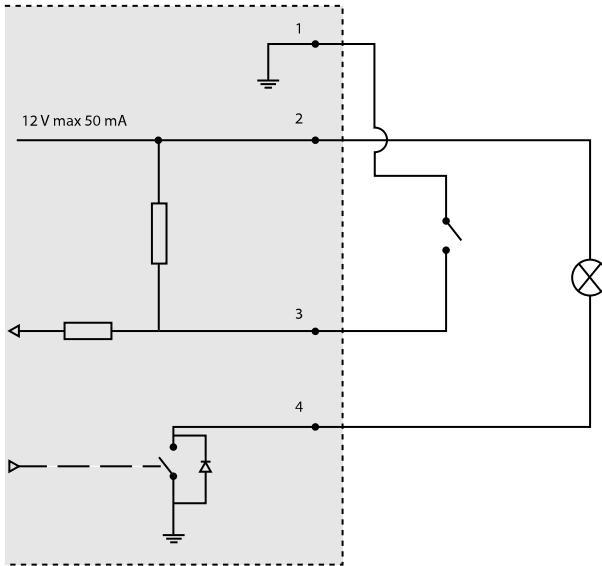
### Connettore terminale I/O

Morsettiera a 4 pin per:

- Ingresso digitale
- Uscita digitale
- Alimentazione ausiliaria e presa di terra (GND)



Funzione	Pin	Note	Specifiche
GND	1	Terra	
Alimentazione CC da 12 V	2	Il pin può essere utilizzato anche per alimentare una periferica ausiliaria. Nota: questo pin può essere usato solo come uscita alimentazione.	Carico massimo: 50 mA
Configurabile (ingresso o uscita)	3-4	Ingresso digitale - Collegare a terra (GND) per attivarlo oppure lasciarlo isolato (scollegato) per disattivarlo.	Da 0 a +30 V CC
		Uscita digitale - Connessione interna a terra quando attivo, isolato (scollegato) per quando inattivo. Se utilizzato con un carico induttivo, ad esempio un relè esterno, è necessario collegare un diodo in parallelo al carico per proteggere il dispositivo da extratensioni.	Carico massimo = 100 mA Tensione massima = +30 V CC

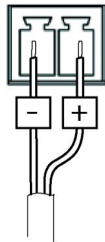


3. I/O configurato come ingresso
4. I/O configurato come uscita

## Connettore di alimentazione

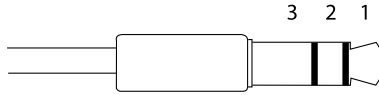
Morsettiera a 2 pin per ingresso alimentazione. Utilizzare una sorgente di alimentazione limitata (LPS) compatibile con una bassissima tensione di sicurezza (SELV) con una potenza di uscita nominale limitata a  $\leq 100$  W o una corrente nominale di uscita limitata a  $\leq 5$  A.

Potenza di ingresso  
CC



## Connettore audio

Connettori audio da 3,5 mm (stereo)

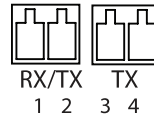


	Ingresso audio	Uscita audio
1 Punta	Ingresso microfono bilanciato caldo (+)/Ingresso microfono non bilanciato/Ingresso linea	Uscita linea (mono)
2 Anello	Ingresso microfono bilanciato freddo (-)	
3 Guaina	Terra	Terra

## Connettore RS-485/422

Due morsettiere a 2 pin per interfaccia seriale RS485/RS422. La porta seriale può essere configurata per supportare:

- RS485 a due fili, half-duplex
- RS485 a quattro fili, full-duplex
- RS422 a due fili, simplex
- Comunicazione full-duplex punto a punto con RS422 a quattro fili



Funzione	Pin	Notes
RS485B oppure RS485/422 RX(B)	1	Coppia RX per tutte le modalità (abbinata con RX/TX per le RS485 a 2 cavi)
RS485A oppure RS485/422 RX(A)	2	
RS485/RS422 TX(B)	3	Coppia TX per la RS422 e per le RS485 a Quattro cavi
RS485/RS422 TX(A)	4	

### Importante

La lunghezza massima raccomandata del cavo è di 30m.

## Slot per scheda SD

Supporta schede microSD con un massimo di 64 GB di archiviazione. Per prestazioni di registrazione ottimali, utilizzare una scheda microSDHC o microSDXC con classe di velocità 10.

## Installazione dell'Hardware

### **AVVISO**

A causa di normative locali o condizioni ambientali ed elettriche in cui il prodotto deve essere utilizzato, può essere opportuno o necessario l'utilizzo di un cavo di rete schermato (STP). Eventuali cavi di rete che vengono posizionati all'aperto o in ambienti elettrici devono essere schermati (STP) e destinati al loro uso specifico.

1. Se si desidera, collegare dispositivi esterni di ingresso/uscita, ad esempio i dispositivi di allarme. Per informazioni sui pin del connettore terminale, consultare *Connettori, alla pagina 75*.
2. Collegare, facoltativamente, l'altoparlante attivo e/o il microfono esterno.
3. Collegare la telecamera alla rete mediante un cavo di rete schermato.
4. Collegare l'alimentazione mediante uno dei metodi elencati di seguito:
  - PoE (Power over Ethernet). PoE è rilevato automaticamente quando si collega il cavo di rete.
  - Collegare un alimentatore esterno alla basetta di alimentazione. Consultare *Connettori e pulsanti, alla pagina 72*.
5. Verificare che i LED indichino le condizioni di funzionamento corrette. Per ulteriori dettagli, consultare la tabella a *pagina 71*. Notare che è possibile configurare il LED di stato in modo che sia spento durante l'uso normale.
6. Facoltativamente, inserire una scheda microSD (non inclusa) nello slot per schede SD.

### **AVVISO**

Per prevenire il danneggiamento delle registrazioni, la scheda SD deve essere smontata prima dell'espulsione. Per smontare, andare su **Setup > System Options > Storage > SD Card (Configurazione > Opzioni di sistema > Archiviazione > Scheda SD)** e fare clic su **Unmount (Smonta)**.

## Accedere al Prodotto

Utilizzare le utility contenute nel CD del software d'installazione e gestione per assegnare un indirizzo IP, impostare la password ed accedere al flusso video. Queste informazioni sono disponibili anche sulle pagine dedicate all'assistenza sul sito [www.axis.com/techsup/](http://www.axis.com/techsup/)

## Regolazione della messa a fuoco

Per regolare lo zoom e la messa a fuoco, attenersi alla seguente procedura:

### Nota

- È consigliabile regolare il più accuratamente possibile la messa a fuoco tramite l'apposita levetta o Focus Assistant prima di avviare la regolazione automatica precisa. Generalmente i risultati migliori si ottengono utilizzando la levetta di regolazione della messa a fuoco.
  - Il diaframma deve sempre essere aperto al massimo quando si regola la messa a fuoco. In questo modo, viene utilizzata la minima profondità di campo, offrendo le condizioni migliori per una corretta messa a fuoco.
1. Aprire la pagina iniziale del prodotto e selezionare **Setup (Impostazioni) > Basic Setup (Impostazioni di base) > Focus (Messa a fuoco)**.
  2. Nella scheda **Basic (Base)**, fare clic su **Open iris (Aprire diaframma)**. Se il pulsante è inattivo, il diaframma è già aperto.
  3. Se la messa a fuoco è già stata impostata, fare clic su **Reset (Reimposta)** per reimpostare la messa a fuoco.
  4. Allentare le levette di regolazione dello zoom e della messa a fuoco (consultare *Panoramica dell'Hardware, alla pagina 70*) sull'obiettivo ruotandole in senso antiorario. Spostare le levette per impostare lo zoom e la messa a fuoco, quindi controllare la qualità dell'immagine nella finestra corrispondente. Se la telecamera è montata in una posizione che non consente di controllare l'immagine e di spostare contemporaneamente le levette, usare il Focus Assistant. Consultare *Focus Assistant - Messa a Fuoco Assistita, alla pagina 79*.
  5. Riavvitare la levetta di messa a fuoco.
  6. Nella pagina della messa a fuoco, fare clic su **Fine-tune focus automatically (Messa a fuoco regolazione fine automatica)** e aspettare fino a quando la regolazione fine automatica venga completata.
  7. Fare clic su **Enable iris (Abilita diaframma)**. Se il pulsante è inattivo, il diaframma è già abilitato.
  8. Se necessario, apportare ulteriori regolazioni nella scheda **Advanced (Avanzate)**. Per ulteriori informazioni, consultare l'aiuto in linea.

## Focus Assistant – Messa a Fuoco Assistita.

### Nota

- Verificare che la scena davanti alla telecamera non cambi durante la regolazione della messa a fuoco (punti 5 e 6). Se si sposta la telecamera o si colloca un dito o un altro oggetto davanti all'obiettivo, sarà necessario ripetere le operazioni descritte nei punti da 3 a 7.
- Se non è possibile evitare movimenti davanti alla telecamera, non utilizzare Focus Assistant.
- È possibile utilizzare Focus Assistant anche se la posizione di installazione della telecamera non consente l'accesso al tasto Funzione. Seguire le istruzioni seguenti, ma montare la telecamera dopo il passaggio 4 (tenendo premuto il tasto Funzione) e saltare il passaggio 7.

Per regolare la messa a fuoco della telecamera tramite Focus Assistant, seguire le istruzioni riportate nei punti da 1 a 3 a *pagina 78* prima di eseguire le operazioni descritte di seguito. Consultare *Panoramica dell'Hardware, alla pagina 70*.

1. Installare o collocare la telecamera in un luogo da cui non possa essere spostata.
2. Allentare la levetta di regolazione dello zoom ruotandola in senso antiorario. Spostare la levetta per impostare il livello di zoom. Riavvitare la levetta dello zoom.
3. Impostare la telecamera nella posizione corrispondente alla massima distanza di messa a fuoco allentando la levetta di regolazione di messa a fuoco e ruotando l'obiettivo in senso orario fino in fondo.
4. Premere e rilasciare velocemente il tasto Funzione. Se il LED di stato inizia a lampeggiare in verde, significa che Focus Assistant è abilitato.

Se il LED di stato lampeggia in rosso o giallo prima che si sia riusciti a regolare l'obiettivo, passare al punto 7 per uscire da Focus Assistant e ripetere le operazioni descritte nei punti da 3 a 7. Per ulteriori informazioni, consultare le note riportate in precedenza. Consultare *Comportamento del LED di stato per Focus Assistant, alla pagina 72*.

5. Ruotare delicatamente l'obiettivo in senso antiorario fino all'arresto.
6. Ruotare l'obiettivo lentamente in senso orario fino a quando l'indicatore di stato lampeggia in verde o giallo (non in rosso).
7. Serrare nuovamente la levetta di regolazione della messa a fuoco.
8. Aprire la pagina **Live View (Vista dal Vivo)** nel browser e controllare la qualità dell'immagine.
9. Continuare con i punti 6 - 8 alla *pagina 78*.

## Sostituzione dell'obiettivo

Per il prodotto Axis è possibile utilizzare obiettivi opzionali.

Per sostituire l'obiettivo:

1. Scollegare il cavo del diaframma.
2. Svitare l'obiettivo standard.
3. Collegare e avvitare il nuovo obiettivo.

## Ripristino dei valori predefiniti di fabbrica

### Importante

Il ripristino delle impostazioni di fabbrica deve essere usato con cautela. Un ripristino delle impostazioni di fabbrica consentirà di ripristinare le impostazioni di fabbrica per tutti i parametri, incluso l'indirizzo IP.



## Nota

Gli strumenti per l'installazione e la gestione del software sono disponibili sul CD fornito con il prodotto e sulle pagine dedicate all'assistenza sul sito Web [www.axis.com/techsup](http://www.axis.com/techsup).

Per ripristinare il prodotto alle impostazioni predefinite di fabbrica:

1. Scollegare l'alimentazione dal prodotto.
2. Tenere premuto il pulsante di comando e ricollegare l'alimentazione. Consultare *Panoramica dell'Hardware, alla pagina 70*.
3. Tenere premuto il pulsante di comando per 15-30 secondi circa fino a quando l'indicatore LED di stato lampeggerà in giallo.
4. Rilasciare il pulsante di comando. Il processo è completo quando il LED di stato diventerà verde. Il prodotto è stato reimpostato alle impostazioni di fabbrica predefinite. Se nessun server DHCP è disponibile in rete, l'indirizzo IP predefinito è 192.168.0.90.
5. Mediante gli strumenti per l'installazione e la gestione del software, assegnare un indirizzo IP, impostare la password e accedere al flusso video.
6. Ripetere la messa a fuoco del prodotto.

È anche possibile reimpostare i parametri alle impostazioni predefinite in fabbrica mediante l'interfaccia Web. Andare a **Setup > System Options > Maintenance (Configurazione > Opzioni di sistema > Manutenzione)**.

## Ulteriori informazioni

Il Manuale per l'utente è disponibile all'indirizzo [www.axis.com](http://www.axis.com)

Visitare il sito [www.axis.com/techsup](http://www.axis.com/techsup) per verificare se sono disponibili aggiornamenti del firmware per il prodotto di rete. Per conoscere la versione del firmware attualmente installata, andare su **Setup (Configurazione) > About (Informazioni)**.

Visitare il Centro di formazione Axis alla pagina [www.axis.com/academy](http://www.axis.com/academy) per utili webinar, esercitazioni, formazione e guide.

## Informazioni sulla garanzia

Per informazioni sulla garanzia del prodotto Axis e informazioni ad esso relative, consultare la pagina [www.axis.com/warranty/](http://www.axis.com/warranty/)

## Consideraciones legales

La vigilancia mediante vídeo y audio puede estar regulada por leyes distintas en cada país. Infórmese sobre las leyes locales antes de usar este producto para propósitos de vigilancia.

Este producto incluye una (1) licencia de descodificador H.264 y una (1) licencia de descodificador AAC. Para adquirir más licencias, póngase en contacto con su distribuidor.

## Responsabilidad

Para preparar el presente documento se ha procedido con todo el cuidado necesario. Le rogamos que informe a su oficina de Axis si detecta alguna imprecisión u omisión. Axis Communications AB no se hace responsable de los errores técnicos o tipográficos y se reserva el derecho a realizar cambios en el producto y la manuales sin previo aviso. Axis Communications AB no proporciona garantías de ningún tipo con respecto al material contenido en este documento, incluidas pero no limitadas a éstas, las garantías implícitas de comercialidad y aptitud para un propósito determinado. Axis Communications AB no se hará responsable de daños directos o indirectos relativos al suministro o uso de este material. Este producto sólo puede utilizarse para el propósito para el que fue diseñado.

## Derechos de propiedad intelectual

Axis AB posee derechos de propiedad intelectual relacionados con la tecnología incorporada en el producto que se describe en este documento. En particular, y sin limitación alguna, estos derechos de propiedad intelectual pueden incluir una o más de las patentes mostradas en <http://www.axis.com/patent.htm> y una o más patentes adicionales o aplicaciones pendientes de patente en los Estados Unidos y otros países.

Este producto contiene software con licencia de terceros. Consulte el elemento de menú "About" (Acerca de) en la interfaz de usuario del producto para más información.

Este producto contiene código fuente con derechos de autor de Apple Computer, Inc., bajo los términos de la Licencia de código público de Apple (consulte <http://www.opensource.apple.com/aps/>). El código fuente está disponible en <http://developer.apple.com/darwin/projects/bonjour/>

## Modificaciones del equipo

Instale y utilice este equipo siguiendo estrictamente las instrucciones que figuran en la documentación de usuario. El equipo no contiene componentes de servicio para el usuario. Los cambios y las modificaciones no autorizados en el equipo anularán todas las certificaciones y aprobaciones normativas aplicables.

## Reconocimiento de marcas comerciales

AXIS COMMUNICATIONS, AXIS, ETRAX, ARTPEC y VAPIX son marcas comerciales registradas o aplicaciones de marcas comerciales de Axis AB en distintas jurisdicciones. Los demás nombres de empresas y productos son marcas comerciales o marcas comerciales registradas de sus respectivas empresas.

Apple, Boa, Apache, Bonjour, Ethernet, Internet Explorer, Linux, Microsoft, Mozilla, Real, SMPTE, QuickTime, UNIX, Windows, Windows Vista y WWW son marcas comerciales registradas de sus respectivos propietarios. Java y todos los logotipos y marcas comerciales basados en Java son marcas comerciales o marcas comerciales registradas de Oracle o de sus afiliados. UPnP™ es una marca de certificación de UPnP™ Implementers Corporation.

SD, SDHC y SDXC son marcas comerciales o marcas comerciales registradas de SD-3C, LLC en Estados Unidos, en otros países o ambos. Además, miniSD, microSD, miniSDHC, microSDHC y microSDXC son todas marcas comerciales o marcas comerciales registradas de SD-3C, LLC en Estados Unidos, en otros países o ambos.

## Soporte técnico

Si precisa asistencia técnica, póngase en contacto con su distribuidor de Axis. Si no se puede responder a sus preguntas de inmediato, el distribuidor le enviará consultas a través de los canales apropiados para garantizar una respuesta rápida. Si dispone de conexión a Internet, puede realizar las siguientes acciones:


- Descargar la documentación del usuario y las actualizaciones de software.
- Encontrar las respuestas a problemas resueltos en la base de datos de preguntas más frecuentes. Buscar por producto, categoría o frase.
- Informar de problemas al personal del servicio de asistencia técnica de Axis mediante el inicio de sesión en la zona privada de asistencia técnica.
- Hablar mediante chat con el personal del servicio de asistencia técnica de Axis (solo en determinados países).
- Visitar la página de asistencia técnica de Axis en [www.axis.com/techsup/](http://www.axis.com/techsup/).

## ¡Más información!

Visite el centro de formación de Axis en [www.axis.com/academy/](http://www.axis.com/academy/) para consultar cursos, seminarios Web, tutoriales y guías de gran utilidad.

## Información normativa

### Europa

 Este producto cumple las directivas y las normas armonizadas aplicables de marcado CE:

- Directiva de compatibilidad electromagnética (EMC) 2004/108/EC. Vea *Compatibilidad electromagnética (EMC)*, en la página 82.
- Directiva de baja tensión (LVD) 2006/95/EC. Vea *Seguridad*, en la página 83.
- Directiva sobre restricción de sustancias peligrosas (RoHS) 2011/65/EU. Vea *Residuos y reciclaje*, en la página 83.

Se puede obtener una copia de la declaración original de conformidad en Axis Communications AB. Vea *Información de contacto*, en la página 83.

### Compatibilidad electromagnética (EMC)

Este equipo ha sido diseñado y probado para cumplir con las normas aplicables para:

- Emisión de radio frecuencia cuando se instala según las instrucciones y se usa en su entorno previsto.
- Inmunidad a fenómenos eléctricos y electromagnéticos cuando se instala según las instrucciones y se usa en su entorno previsto.

### EE. UU.

Este equipo también se ha probado con un cable de red blindado y se ha comprobado que cumple con las restricciones para dispositivos digitales de clase B de conformidad con la parte 15 de las reglas de la FCC. Estos límites se han diseñado para ofrecer una protección razonable frente a una interferencia perjudicial en una instalación residencial. Este equipo genera, usa y puede irradiar energía de radiofrecuencia y, si no se instala y utiliza de acuerdo con las instrucciones, puede provocar una interferencia perjudicial en las comunicaciones

de radio. Sin embargo, no existe ninguna garantía de que la interferencia no se produzca en una instalación determinada. Si este equipo provoca una interferencia perjudicial en la recepción de la radio o la televisión, que se puede determinar encendiendo y apagando el equipo, se anima al usuario a intentar corregir la interferencia mediante una o más de las siguientes medidas:

- Reorientación o recolocación de la antena de recepción.
- Aumento de la separación entre el equipo y el receptor.
- Conexión del equipo a una salida de un circuito distinta a la que se conecta el receptor.
- Solicitud de ayuda al fabricante o a un técnico de TV/radio con experiencia.

#### Canadá

Este dispositivo digital de clase B es compatible con la norma canadiense ICES-003.

#### Europa

Este equipo digital satisface los requisitos de emisión de RF de acuerdo con las restricciones de la clase B de EN 55022.

Este producto cumple con los requisitos sobre inmunidad de acuerdo con los entornos industriales ligeros, comerciales y residenciales de EN 61000-6-1.

Este producto cumple con los requisitos sobre inmunidad de acuerdo con los entornos industriales de EN 61000-6-2.

Este producto cumple con los requisitos sobre inmunidad de acuerdo con los entornos comerciales y de oficina de EN 55024.

#### Australia/Nueva Zelanda

Este equipo digital cumple con los requisitos de emisiones de RF de acuerdo con las restricciones de la clase B de AS/NZS CISPR 22.

#### Japón

この装置は、クラスB 情報技術装置です。この装置は、家庭環境で使用することを目的としていますが、この装置がラジオやテレビジョン受信機に近接して使用されると、受信障害を引き起こすことがあります。取扱説明書に従って正しい取り扱いをして下さい。

#### Corea

이 기기는 가정용(B급) 전자파적합기기로서 주로 가정에서 사용하는 것을 목적으로 하며, 모든 지역에서 사용할 수 있습니다.

#### Seguridad

Este producto cumple la norma IEC/EN/UL60950-1 sobre Seguridad de equipos de tecnología de la información.

La fuente de alimentación empleada en este producto cumple los requisitos de la norma IEC/EN/UL60950-1 sobre Tensión extra-baja de seguridad (SELV) y Fuente de alimentación limitada (LPS).

#### Residuos y reciclaje

Cuando este producto llegue al final de su vida útil, deshágase de él de acuerdo con las leyes y regulaciones locales. Para más información acerca de su punto de recogida más cercano, contacte con las autoridades locales responsables de la eliminación de residuos. Según la legislación local, pueden aplicarse sanciones por la eliminación incorrecta de estos residuos.



**Europa** El símbolo significa que el producto no debe eliminarse junto con los residuos domésticos o comerciales. La directiva 2012/19/EU sobre los residuos eléctricos y de equipos electrónicos (WEEE) es aplicable en los estados miembros de la Unión Europea. Para evitar posibles daños a la salud humana y al medioambiente, el producto debe

ser desechado en un proceso de reciclaje aprobado y en un ambiente seguro. Para más información acerca de su punto de recogida más cercano, contacte con las autoridades locales responsables de la eliminación de residuos. Las empresas deben ponerse en contacto con el proveedor del producto para obtener información acerca de cómo desechar este producto de forma correcta.

Este producto cumple con los requisitos de la Directiva 2011/65/EU acerca de la restricción de uso de ciertas sustancias peligrosas en equipos eléctricos y electrónicos (RoHS).

**China** Este producto cumple con los requerimientos de la administración del acto legislativo sobre el control de contaminación caudado por los productos de información electrónica (ACPEIP).

#### Información de contacto

Axis Communications AB  
Emdlavägen 14  
223 69 Lund  
Suecia  
Tel: +46 46 272 18 00  
Fax: +46 46 13 61 30  
www.axis.com



## Información de seguridad

Lea atentamente la Guía de instalación antes de instalar el producto. Guarde la Guía de instalación para futuras consultas.

### Niveles de peligro

**▲PELIGRO**

Indica una situación peligrosa que, si no se evita, provocará lesiones graves o la muerte.

**▲ADVERTENCIA**

Indica una situación peligrosa que, si no se evita, puede provocar lesiones graves o la muerte.

**▲ATENCIÓN**

Indica una situación peligrosa que, si no se evita, puede provocar lesiones moderadas o leves.

**AVISO**

Indica una situación peligrosa que, si no se evita, puede provocar daños materiales.

### Otros niveles de mensaje

**Importante**

Indica información importante que es fundamental para que el producto funcione correctamente.

**Nota**

Indica información útil que ayuda a aprovechar el producto al máximo.

## Instrucciones de seguridad

### AVISO

- El producto de Axis debe utilizarse de acuerdo con las leyes y normas locales.
- Para usar el producto de Axis en exteriores, o en entornos similares, debe instalarse en una carcasa exterior aprobada.
- Almacene el producto de Axis en un entorno seco y ventilado.
- Evite la exposición del producto de Axis a choques o a una fuerte presión.
- No instale el producto en soportes, superficies o paredes inestables.
- Utilice solo las herramientas correspondientes cuando instale el producto de Axis. La aplicación de una fuerza excesiva puede provocar daños en el producto.
- No utilice limpiadores en aerosol, agentes cáusticos ni productos químicos. Limpie con un trapo limpio humedecido con agua pura.
- Utilice solo accesorios que cumplan con las especificaciones técnicas del producto. Estos accesorios los puede proporcionar Axis o un tercero.
- Utilice solo piezas de repuesto proporcionadas o recomendadas por Axis.
- No intente reparar el producto usted mismo. Póngase en contacto con el soporte técnico de Axis o con su distribuidor de Axis para tratar asuntos de reparación.

## Transporte

### AVISO

- A la hora de transportar el producto Axis, utilice el embalaje original o uno equivalente para no dañar el producto.

## Batería

Este producto de Axis utiliza una batería de litio CR2032 de 3,0 V como fuente de alimentación del reloj interno en tiempo real. En condiciones normales, esta batería durará un mínimo de cinco años.

Un nivel de la batería bajo afectará al funcionamiento del reloj en tiempo real, causando el restablecimiento de este cada vez que se encienda el producto. El sistema mostrará un mensaje de registro cuando sea preciso sustituir la batería.

La batería no debe sustituirse a menos que sea necesario; no obstante, cuando sea necesario, póngase en contacto con el servicio de asistencia técnica de Axis en [www.axis.com/techsup/](http://www.axis.com/techsup/) para solicitar asistencia.

### **⚠ADVERTENCIA**

- La sustitución incorrecta de la batería implica riesgo de explosión.
- Sustituya la batería con una batería idéntica u otra batería recomendada por Axis.
- Deseche las baterías usadas de conformidad con la normativa local o las instrucciones del fabricante.





## Guía de instalación

Esta Guía de instalación incluye las instrucciones necesarias para instalar la cámara de red AXIS Q1614 en su red. Para conocer otros aspectos de uso del producto, consulte el Manual del usuario disponible en [www.axis.com](http://www.axis.com).

## Pasos de la instalación

1. Asegúrese de que dispone del contenido del paquete, las herramientas y los demás materiales necesarios para la instalación. Vea *página 89*.
2. Estudie la información general del hardware. Vea *página 90*.
3. Estudie las especificaciones. Vea *página 94*.
4. Instale el hardware. Vea *página 98*.
5. Acceda al producto. Vea *página 98*.
6. Establezca el enfoque. Vea *página 99*.

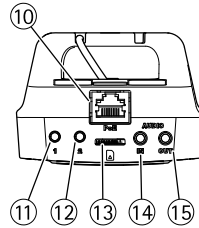
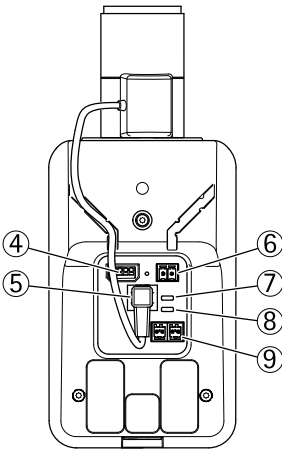
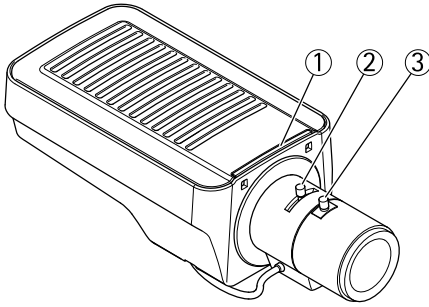
## Contenido del paquete

- Cámara de red AXIS Q1614
- Bloque de conector de 2 pines para entrada de alimentación
- Bloque de conector de E/S de 4 pines para conectar dispositivos externos
- Soporte de la cámara
- Destornillador Torx T20
- CD de software de instalación y gestión
- Materiales impresos
  - Guía de instalación (este documento)
  - Etiquetas adicionales con el número de serie (2x)
  - Clave de autenticación AVHS

## Accesorios opcionales

Para obtener información sobre los accesorios disponibles, incluidos los accesorios de alimentación y las carcasas para exteriores, visite [www.axis.com](http://www.axis.com).

Presentación del hardware



1. *Indicador LED de estado*
2. *Palanca de zoom*
3. *Palanca de enfoque*
4. *Conector de E/S*
5. *Conector de iris*
6. *Conector de alimentación*
7. *Indicador LED de corriente*
8. *Indicador LED de red*
9. *Conector RS485/RS422*
10. *Conector de red (PoE)*

11. Botón de control (1)
12. Botón de función (2)
13. Ranura para tarjetas microSD
14. Entrada de audio
15. Salida de audio

## Indicadores LED

LED	Color	Indicación
Red	Verde	Fijo para indicar una conexión a una red de 100 MBits/s. Parpadea cuando hay actividad de red.
	Ámbar	Fijo para indicar una conexión a una red de 10 MBits/s. Parpadea cuando hay actividad de red.
	Apagado	No hay conexión a la red.
Estado	Verde	Verde fijo para indicar un funcionamiento normal.
	Ámbar	Fijo durante el inicio y al restaurar valores de configuración.
	Rojo	Parpadea despacio si se ha producido un error en una actualización.
Alimentación	Verde	Funcionamiento normal.
	Ámbar	Parpadea en verde/ámbar durante la actualización del firmware.

### Nota

- Se puede configurar el LED Estado para que se apague durante el funcionamiento normal. Para ello, vaya a **Setup > System Options > Ports & Devices > LED** (Configuración > Opciones del sistema > Puertos y dispositivos > LED). Vea la ayuda en línea para obtener más información.
- Se puede configurar el LED Estado para que parpadee mientras haya un evento activo.
- Se puede configurar el LED de estado para que parpadee e identifique la unidad. Vaya a **Setup > System Options > Maintenance** (Configuración > Opciones del sistema > Mantenimiento).
- Se puede configurar el indicador LED de alimentación para que se apague durante el funcionamiento normal. Para ello, vaya a **Setup > System Options > Ports & Devices > LED** (Configuración > Opciones del sistema > Puertos y dispositivos > LED). Vea la ayuda en línea para obtener más información.
- El indicador LED de red puede desactivarse para que no parpadee cuando exista tráfico de red. Para ello, vaya a **Setup > System Options > Ports & Devices > LED** (Configuración > Opciones del sistema > Puertos y dispositivos > LED). Vea la ayuda en línea para obtener más información.

### Comportamiento del indicador LED de estado del Asistente de enfoque

Color	Indicación
Verde	El Asistente de enfoque está activado. El ajuste del objetivo es óptimo.
Ámbar	La cámara se ha movido o se ha colocado algún objeto delante del objetivo. Salga y reinicie el Asistente de enfoque. El ajuste del objetivo es menos óptimo.
Rojo	La cámara se ha movido o se ha colocado algún objeto delante del objetivo. Salga y reinicie el Asistente de enfoque. El ajuste del objetivo es pobre.

### Avisador acústico del Asistente de enfoque

Avisador acústico	Objetivo
Intervalo rápido	Ajuste óptimo
Intervalo medio	Ajuste menos óptimo
Intervalo lento	Ajuste pobre

### Comportamiento del indicador LED de estado y la señal del avisador acústico con el Asistente de nivelación

Para obtener información sobre el botón de función, utilizado para nivelar la cámara, vea *Conectores y botones*.

Color	Avisador acústico	Posición de la cámara:
Verde continuo	Sonido continuo	Nivelada
Verde parpadeante	Intervalo rápido	Casi nivelada
Ámbar parpadeante	Intervalo medio	No nivelada
Rojo parpadeante	Intervalo lento	En absoluto nivelada

### Conectores y botones

Para conocer las especificaciones y las condiciones de funcionamiento, vea *página 94*.

## Conector de red

Conector Ethernet RJ45. Admite alimentación a través de Ethernet (PoE).

### AVISO

El producto se conectará mediante un cable de red blindado (STP). Todos los cables que conecten el producto al conmutador de red deberán estar blindados (STP) y diseñados para su uso específico. Asegúrese de que el conmutador de red disponga de una conexión a tierra adecuada. Para obtener información sobre los requisitos normativos, vea *Información normativa, en la página 82*.

## Conector de E/S

Se utiliza en aplicaciones de, por ejemplo, detección de movimiento, activación de eventos, grabación de intervalos de tiempo y notificaciones de alarma. Además de un pin auxiliar de alimentación y conexión a tierra, el conector del terminal de E/S proporciona la interfaz para lo siguiente:

- **Salida digital:** para conectar dispositivos externos como relés y LED. Los dispositivos conectados se pueden activar mediante la Interfaz de programación de aplicaciones (API) VAPIX®, los botones de salida de la página Live View o mediante una regla de acción. La salida se mostrará activa (se indica en **System Options > Ports & Devices** (Opciones del sistema > Puertos y dispositivos)) si el dispositivo de alarma está activado.
- **Entrada digital:** una entrada de alarma para conectar dispositivos que puedan alternar circuitos cerrados y abiertos, como detectores PIR, contactos de puertas y ventanas, detectores de rotura de cristales, etc. Cuando se recibe una señal, el estado cambia y la entrada se vuelve activa (se indica en **System Options > Ports & Devices** (Opciones del sistema > Puertos y dispositivos)).

## Conector de alimentación

Bloque de terminales de 2 pines para la entrada de alimentación. Use una fuente de alimentación limitada (LPS) que cumpla los requisitos de tensión muy baja de seguridad (SELV) con una potencia nominal de salida limitada a  $\leq 100$  W o una corriente nominal de salida limitada a  $\leq 5$  A.

## Conector de audio

El producto de Axis integra los siguientes conectores de audio:

- **Entrada de audio (rosa):** entrada de 3,5 mm para micrófono mono, o entrada de línea de señal mono (se usa el canal izquierdo de una señal estéreo).
- **Salida de audio (verde):** salida para audio (nivel de línea) de 3,5 mm que se puede conectar a un sistema de megafonía pública o a un altavoz con amplificador incorporado. Debe utilizarse un conector estéreo para la salida de audio.

## Conector RS485/RS422

Dos bloques de terminales de 2 pines para la interfaz serie RS485/RS422 usada para controlar equipos auxiliares, como dispositivos PTZ.

## Ranura para tarjetas SD

Puede emplearse una tarjeta microSD (no incluida) para la grabación local con almacenamiento extraíble. Para obtener más información, vea *Especificaciones, en la página 94*.

### **AVISO**

Antes de retirar la tarjeta SD, hay que desinstalarla para evitar que las grabaciones resulten dañadas. Para desinstalarla, vaya a **Setup > System Options > Storage > SD Card (Configuración > Opciones del sistema > Almacenamiento > Tarjeta SD)** y haga clic en **Unmount (Desinstalar)**.

## Botón de control

El botón de control se utiliza para lo siguiente:

- Restablecer el producto a la configuración predeterminada de fábrica. Vea *página 101*.
- Conectarse a un servicio AXIS Video Hosting System o al Servicio de DNS dinámico de Internet de AXIS. Para obtener más información sobre estos servicios, vea el Manual del usuario.

## Botón de función

El botón de función tiene diversas utilidades:

- **Asistente de nivelación:** esta función ayuda a garantizar que la cámara está nivelada. Presione el botón durante 3 segundos aproximadamente para iniciar el Asistente de nivelación; presiónelo de nuevo para detener el Asistente de nivelación. El indicador LED de estado (vea *página 92*) y la señal del avisador acústico (vea *página 92*) ayudan en la nivelación de la cámara. La cámara está nivelada cuando el avisador acústico emite un sonido continuo.
- **Asistente de enfoque:** esta función se utiliza para activar el Asistente de enfoque. Para activar el Asistente de enfoque, presione y suelte rápidamente el botón. Para detener el Asistente de enfoque, presione y suelte rápidamente el botón una vez más. Para obtener más información, vea *página 100*.

# Especificaciones

## Condiciones de funcionamiento

El producto de Axis se ha creado para su uso en interiores.

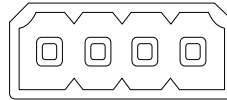
Producto	Temperatura	Humedad
AXIS Q1614	0 °C a 50 °C (32 °F a 122 °F)	Humedad relativa del 20-85 % (sin condensación)

## Conectores

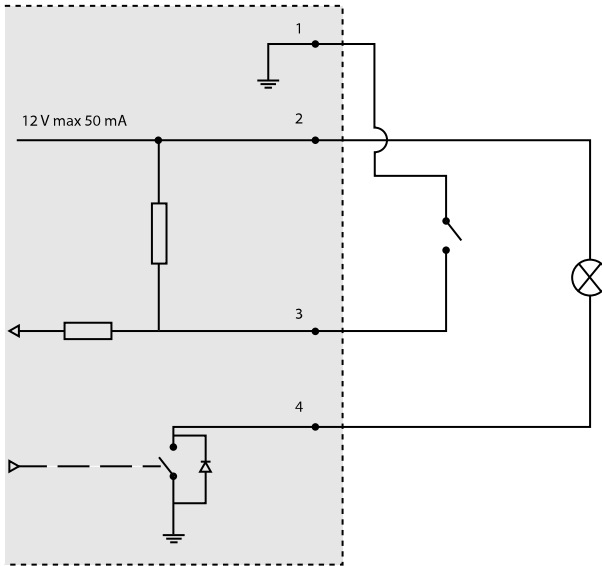
### Conector del terminal de E/S

Bloque de terminales de 4 pines para:

- Entrada digital
- Salida digital
- Alimentación auxiliar y conexión a tierra (masa)



Función	Pin	Notas	Especificaciones
Masa	1	Tierra	
Alimentación de 12 V CC	2	Se puede usar para conectar el equipo auxiliar. Nota: este pin se puede usar solo como salida.	Carga máx.: 50 mA
Configurable (entrada o salida)	3-4	Entrada digital: conectar a GND (tierra) para activarla o dejarla suelta (desconectada) para desactivarla.	0 a +30 V CC
		Salida digital: conexión interna a tierra cuando está activada; suelta (sin conectar) cuando está desactivada. Si se utiliza con una carga inductiva (por ejemplo, un relé), debe conectarse un diodo en paralelo a la carga como protección ante transitorios de tensión.	Carga máx.: 100 mA Voltaje máx.: +30 V CC

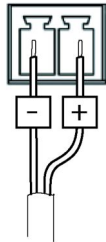


3. E/S configurada como entrada
4. E/S configurada como salida

## Conector de alimentación

Bloque de terminales de 2 pines para la entrada de alimentación. Use una fuente de alimentación limitada (LPS) que cumpla los requisitos de tensión muy baja de seguridad (SELV) con una potencia nominal de salida limitada a  $\leq 100$  W o una corriente nominal de salida limitada a  $\leq 5$  A.

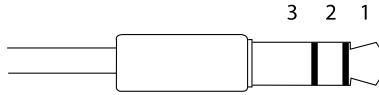
Entrada de alimentación de CC





## Conector de audio

Conectores de audio de 3,5 mm (estéreo)

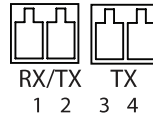


	Entrada de audio	Salida de audio
1 Punta	equilibrado caliente (+)/Entrada de línea/micrófono no equilibrado	Salida de línea (mono)
2 Anillo	Entrada de micrófono equilibrado frío (-)	
3 Manguito	Tierra	Tierra

## Conector RS-485/422

Dos bloques de terminales de 2 pines para la interfaz serie RS485/RS422. El puerto serie puede configurarse para admitir:

- Semidúplex RS485 de dos cables
- Dúplex completo RS485 de cuatro cables
- Simplex RS422 de dos cables
- Dúplex completo RS422 de cuatro cables para comunicación dúplex punto a punto



Función	Pin	Notas
RS485B alt RS485/422 RX(B)	1	Par RX para todos los modos (combinado RX/TX para el modo RS485 2 hilos)
RS485A alt RS485/422 RX(A)	2	
RS485/RS422 TX(B)	3	Par TX para RS422 y el modo RS485 4 hilos
RS485/RS422 TX(A)	4	

### Importante

La longitud máxima recomendada del cable es 30 m (98.4 ft).

## Ranura para tarjetas SD

Admite tarjetas microSD de hasta 64 GB de capacidad de almacenamiento. Para obtener un rendimiento de grabación óptimo, utilice una tarjeta microSDHC o microSDXC de velocidad de clase 10.

## Instalación del hardware

### AVISO

Debido a la normativa local o a las condiciones ambientales y eléctricas en las que se vaya a utilizar el producto, puede que sea adecuado u obligatorio el uso de un cable de red blindado (STP). Todos los cables de red que se utilicen en exteriores o en entornos eléctricos exigentes deberán estar blindados (STP) y diseñados para su uso específico.

1. Si lo desea, conecte dispositivos de entrada/salida externos, como dispositivos de alarma. Para obtener información sobre los pines del conector del terminal, vea *Conectores, en la página 95*.
2. Si lo desea, conecte un altavoz activo y/o un micrófono externo.
3. Conecte la cámara a la red mediante un cable de red blindado.
4. Conecte la alimentación utilizando uno de los métodos enumerados a continuación:
  - Alimentación a través de Ethernet (PoE) El sistema detecta automáticamente la alimentación PoE cuando se conecta el cable de red.
  - Conecte un adaptador de corriente externo al bloque del conector de alimentación. Vea *Conectores y botones, en la página 92*.
5. Compruebe que los indicadores LED indican las condiciones correctas. Vea la tabla de la *página 91* para obtener información detallada. Tenga en cuenta que el indicador LED puede configurarse de modo que esté apagado durante el funcionamiento normal.
6. Si lo desea, inserte una tarjeta microSD (no incluida) en la ranura de tarjetas SD.

### AVISO

Para evitar que las grabaciones resulten dañadas, es preciso desinstalar la tarjeta SD antes de expulsarla. Para desinstalarla, vaya a **Setup > System Options > Storage > SD Card** (Configuración > Opciones del sistema > Almacenamiento > Tarjeta SD) y haga clic en **Unmount** (Desinstalar).

## Acceso al producto

Utilice las herramientas suministradas en el CD del software de instalación y gestión para asignar una dirección IP, establecer la contraseña y acceder a la transmisión de vídeo. Esta información también está disponible en las páginas de asistencia técnica en [www.axis.com/techsup/](http://www.axis.com/techsup/)

## Ajuste de enfoque

Para ajustar el zoom y el enfoque, siga las instrucciones detalladas a continuación:

### Nota

- Antes de iniciar el ajuste preciso automático, establezca el enfoque con la mayor precisión posible con la ayuda de la palanca de enfoque o el Asistente de enfoque. Generalmente, los mejores resultados se obtienen con la palanca de enfoque.
  - Durante el enfoque, el iris debe estar abierto al máximo en todo momento. Con esto se consigue la menor profundidad de campo posible y, por tanto, las condiciones óptimas para el enfoque correcto.
1. Abra la página inicial del producto y vaya a **Setup (Configuración) > Basic Setup (Configuración básica) > Focus (Enfoque)**.
  2. En la pestaña **Basic (Básica)**, haga clic en **Open iris (Abrir iris)**. Si el botón no está activo, esto significa que el iris ya está abierto.
  3. Si el enfoque se ha establecido en alguna ocasión anterior, haga clic en **Reset (Restablecer)** para restablecer el enfoque anterior.
  4. Afloje las palancas de zoom y enfoque (vea *Presentación del hardware, en la página 90*) del objetivo girándolas en el sentido contrario a las agujas del reloj. Mueva las palancas para establecer el zoom y el enfoque y compruebe la calidad de la imagen en la ventana de imagen. Si la cámara está montada de manera que no es posible mirar la imagen y mover las palancas al mismo tiempo, utilice el Asistente de enfoque en lugar de las palancas. Vea *Asistente de enfoque, en la página 100*.
  5. Apriete de nuevo las palancas de zoom y enfoque.
  6. En la página de enfoque, haga clic en **Fine-tune focus automatically (Ajustar el enfoque automáticamente)** y espere a que el ajuste preciso automático finalice.
  7. Haga clic en **Enable iris (Activar iris)**. Si el botón no está activo, esto significa que el iris ya está activado.
  8. En caso necesario, realice ajustes adicionales en la pestaña **Advanced (Avanzada)**. Vea la ayuda en línea para obtener más información.

## Asistente de enfoque

### Nota

- La vista delante de la cámara no debe cambiar durante el ajuste del enfoque (pasos 5 y 6). Si la cámara se mueve, o si se coloca un dedo u otro objeto delante del objetivo, será preciso repetir los pasos 3 a 7.
- Si no es posible evitar el movimiento delante de la cámara, el Asistente de enfoque no debe utilizarse.
- Si la cámara está montada de manera que no es posible acceder al botón de función, todavía se puede utilizar el Asistente de enfoque. En tal caso, siga las instrucciones detalladas anteriormente pero monte la cámara después del paso 4, en esta ocasión presionando el botón de función, y omita el paso 7.

Para enfocar la cámara de red con la ayuda del Asistente de enfoque, siga los pasos 1 a 3 descritos en *página 99* antes de iniciar la secuencia de pasos detallada a continuación. Vea *Presentación del hardware*, en la *página 90*.

1. Monte o coloque la cámara de modo que no pueda moverse.
2. Afloje la palanca de zoom girándola en el sentido contrario a las agujas del reloj. Mueva la palanca para establecer el nivel de zoom. Apriete de nuevo la palanca de zoom.
3. Ponga la cámara en la posición máxima de enfoque lejano; para hacerlo, afloje la palanca de enfoque y gire el objetivo en el sentido de las agujas del reloj hasta el tope.
4. Presione y suelte rápidamente el botón de función. Cuando el indicador LED de estado parpadea en verde, el Asistente de enfoque está activado.  
Si el indicador LED de estado parpadea en rojo o ámbar antes de que pueda ajustar el objetivo, omita el paso 7 para salir del Asistente de enfoque y repita los pasos 3 a 7. Vea las notas enumeradas anteriormente. Vea *Comportamiento del indicador LED de estado del Asistente de enfoque*, en la *página 92*.
5. Gire lentamente el objetivo en el sentido contrario a las agujas del reloj hasta que se detenga.
6. Gire lentamente el objetivo en el sentido de las agujas del reloj hasta que el indicador LED de estado parpadee en verde o ámbar (no en rojo).
7. Apriete de nuevo la palanca de enfoque.
8. Abra la página **Live View (Vista en directo)** en el explorador Web y compruebe la calidad de la imagen.
9. Prosiga con los pasos 6 a 8 descritos en *página 99*.

## Sustitución del objetivo

Con este producto de Axis, es posible utilizar objetivos opcionales.

Para sustituir el objetivo:

1. Desconecte el cable del iris.
2. Desatornille el objetivo estándar.
3. Acople y atornille el nuevo objetivo.

## Restablecimiento a la configuración predeterminada de fábrica

### Importante

Hay que tener cuidado al restablecer la configuración predeterminada de fábrica. Todos los valores, incluida la dirección IP, se restablecerán a la configuración predeterminada de fábrica.

### Nota

Las herramientas del software de instalación y gestión están disponibles en el CD suministrado con el producto, así como en las páginas de asistencia técnica en [www.axis.com/techsup](http://www.axis.com/techsup).

Para restablecer el producto a la configuración predeterminada de fábrica:

1. Desconecte la alimentación del producto.
2. Mantenga pulsado el botón de control y vuelva a conectar la alimentación. Vea *Presentación del hardware, en la página 90*.
3. Mantenga pulsado el botón de control durante 15-30 segundos hasta que el indicador LED de estado parpadee en ámbar.
4. Suelte el botón de control. El proceso finaliza cuando el indicador LED de estado se pone verde. El producto se ha restablecido a la configuración predeterminada de fábrica. Si no hay ningún servidor DHCP disponible en la red, la dirección IP predeterminada es 192.168.0.90.
5. Utilice las herramientas del software de instalación y gestión para asignar una dirección IP, establecer la contraseña y acceder a la transmisión de vídeo.
6. Vuelva a enfocar el producto.

También es posible restablecer los parámetros a los valores predeterminados de fábrica mediante la interfaz web. Para ello, vaya a **Setup > System Options > Maintenance** (Configuración > Opciones del sistema > Mantenimiento) (Configuración > Configuración del controlador de acceso > Configuración > Opciones del sistema > Mantenimiento).

## Más información

El Manual del usuario está disponible en [www.axis.com](http://www.axis.com).

Visite [www.axis.com/techsup](http://www.axis.com/techsup) para comprobar si hay firmware actualizado disponible para su producto de red. Para consultar la versión firmware instalada actualmente, vaya a **Setup > About** (Configuración > Acerca de).

Visite el centro de formación de Axis en [www.axis.com/academy](http://www.axis.com/academy) para consultar cursos de formación, seminarios web, tutoriales y guías de gran utilidad.

### **Información de la garantía**

Para obtener más información acerca de la garantía del producto Axis e información relacionada, visite [www.axis.com/warranty/](http://www.axis.com/warranty/)

## 法律上の注意事項

ビデオ、音声監視は法律によって規制されている場合があります、その内容は国によって異なります。本製品を監視用途でご利用になる前に、ご利用いただく地域の法律を確認してください。

本製品にはH.264デコーダーのライセンスが1つとAACデコーダーのライセンスが1つ含まれています。追加ライセンスの購入については、Axis製品の販売代理店にお問い合わせください。

## 法的責任

本書は細心の注意をもって準備されています。誤りや欠落を見つけた場合には、お近くのAxisオフィスまでお知らせください。Axis Communications ABは、いかなる技術または印刷上の誤りについても一切責任を負わず、本製品およびマニュアルに予告なく変更を加える権利を留保します。Axis Communications ABは、市場性および特定目的との適合性に関する黙示的保証を含む(ただし、それらに限定されない)、本書の記載内容に関して、いかなる種類の保証もいたしません。Axis Communications ABは、本書の記載内容にしたがった機器の設置、性能、使用に関する間接的損害または結果的損害に責任も義務も負わないものとします。本製品は、その本来の目的でのみ使用してください。

## 知的財産権

Axis ABは、本書記載の製品に組み込まれた技術の知的財産権を保有しています。この知的財産権には、<http://www.axis.com/patent.html>に示される特許と米国や他の国々における追加特許または出願中の特許(ただし、これらに制限されるものではありません)が含まれる場合があります。

本製品には、ライセンスされたサードパーティー製のソフトウェアが含まれています。詳細については、本製品のユーザーインターフェースのメニュー項目 [About] (製品情報) を参照してください。

本製品には、Apple Public Source License 2.0 (<http://www.opensource.apple.com/apsl/>を参照) の条項に基づいて、Apple Computer, Inc. のソースコード著作権が含まれています。ソースコードは、<http://developer.apple.com/darwin/projects/bonjour/>から利用いただけます。

## 製品の改修

本製品は、本書記載の手順に厳密にしたがってインストールし、使用する必要があります。本製品には、ユーザーが修理できる部品は含まれていません。本製品を権限なく変更または改修すると、適用されるすべての規制上の認証や認可が無効になります。

## 商標

AXIS COMMUNICATIONS、AXIS、ETRAX、ARTPEC、VAPIXは、スウェーデンおよびその他の国で登録されたAxis ABの登録商標です。その他、記載の社名、商品名などは、各社の商標または登録商標です。

Apple、Boa、Apache、Bonjour、Ethernet、Internet Explorer、Linux、Microsoft、Mozilla、Real、SMPT、QuickTime、UNIX、Windows、Windows Vista、WWWは、各所有者の登録商標です。JavaとすべてのJavaベースの商標およびロゴは、Oracleまたはその関連会社の商標または登録商標です。UPnP™は、UPnP™ Implementers Corporationの認証マークです。

SD、SDHC、SDXCは、米国またはその他の国におけるSD-3C、LLCの商標または登録商標です。

miniSD、microSD、miniSDHC、microSDHC、microSDXCは、米国またはその他の国におけるSD-3C、LLCの商標または登録商標です。

## サポート

技術サポートが必要になった場合は、Axisの販売代理店までお問い合わせください。ご質問にすぐにお答えできない場合は、お客様をお待たせしないように、お問い合わせ内容が販売店から適切な窓口へ送られます。インターネットに接続している場合は、以下を行うことができます。

- ユーザードキュメントとソフトウェアアップデートのダウンロード
- FAQデータベースを使用した、問題の解決方法の検索。製品、カテゴリ、フレーズで検索
- お客様専用のサポートページにログインすることによる、Axisのサポートスタッフへの問題の報告
- Axisのサポートスタッフとのチャット(一部の国のみ)
- Axisサポート: [www.axis.com/techsup/](http://www.axis.com/techsup/)

## さらに詳しく:

Axisラーニングセンター ([www.axis.com/academy](http://www.axis.com/academy)) にアクセスしてください。役に立つトレーニング、Webセミナー、チュートリアル、ガイドを用意しています。

## 規制情報

### 欧州

**CE** 本製品は、適用される各種のCE マーキング指令および整合規格に準拠しています。

- 電磁適合性 (EMC) 指令2004/108/EC。電波に関する適合性 (EMC)、ページ 103を参照してください。
- 低電圧 (LVD) 指令2006/95/EC。安全性、ページ 104を参照してください。
- 危険物質に関する制限 (RoHS) 指令2011/65/EU。廃棄およびリサイクル、ページ 104を参照してください。

適合宣言の原本のコピーは、Axis Communications ABから入手できます。連絡先、ページ 104を参照してください。

### 電波に関する適合性 (EMC)

本装置は、以下に関する適用規格を満たすように設計、試験されています。

- 指示に従って設置し、想定環境内で使用する場合の無線周波放射
- 指示に従って設置し、想定環境内で使用する場合の電気、電磁現象への耐性

### 米国

本装置は、シールドネットワークケーブル (STP) を使用した試験により、FCC基準パート15に基づき、クラスBデジタルデバイスの制限への準拠の審査を受け、認証済みです。この制限は、住居設備における有害な干渉からの適切な保護を目的として規定されています。本装置は無線周波エネルギーを発生および使用し、また、放射する可能性があるため、指示にしたがって設置、使用しない場合、無線通信に干渉をおよぼすおそれがあります。ただし、特定の設置で干渉が発生しないことを保証するものではありません。本装置が原因となつてラジオまたはテレビの受信に干渉が発生し、本装置の電源の入/切によって本装置が原因であると確認できた場合は、以下の1つ以上の方法で干渉を是正してください。

- 受信アンテナの向きまたは位置を変更する。

- 本装置と受信機の距離を離す。
- 本装置を受信機が接続されているコンセントとは別のコンセントに接続する。
- 販売代理店または、経験あるラジオ、テレビ技術者に相談する。

#### カナダ

本装置は、カナダのICES-003に準拠するクラスBデジタル装置です。

#### 欧州

本デジタル装置は、EN 55022のクラスB制限に準拠したRF放射に関する要件を満たしています。

本製品は、EN61000-6-1居住地、商業、軽工業環境に準拠した耐性の要件を満たしています。

本製品は、EN61000-6-2工業環境に準拠した耐性の要件を満たしています。

本製品は、EN55024事業所および商業環境に準拠した耐性の要件を満たしています。

#### オーストラリア/ニュージーランド

本デジタル装置は、AS/NZS CISPR 22のクラスB制限に準拠した無線周波放射の要件を満たしています。

#### 日本

この装置は、クラスB情報技術装置です。この装置は、家庭環境で使用することを目的としていますが、この装置がラジオやテレビジョン受信機に近接して使用されると、受信障害を引き起こすことがあります。取扱説明書に従って正しい取り扱いをして下さい。

#### 韓国

이 기기는 가정용(B급) 전자파적합기기로서 주로 가정에서 사용하는 것을 목적으로 하며, 모든 지역에서 사용할 수 있습니다.

#### 安全性


本製品は、IEC/EN60950-1情報技術装置の安全性に準拠しています。

本製品に使用する電源は、IEC/EN/UL60950-1に従って安全特別低電圧 (SELV) および制限電源 (LPS) の要件を満たす必要があります。


#### 廃棄およびリサイクル

本製品がその耐用年数に達した場合は、地域の法律と規制に従って廃棄してください。最寄りの指定収集場所に関する情報については、当該地域の廃棄物担当当局にお問い合わせください。廃棄物を不正に処分すると、地元当局による処罰の対象となることがあります。



**欧州**  この記号は、本製品を家庭または商業廃棄物と一緒に処分してはならないことを意味するものです。本製品は、欧州連合 (EU) 加盟国において廃電気電子機器指令 (WEEE指令) 2012/19/EUの対象となります。人の健康や環境に危害を与える可能性を避けるため、本製品は必ず、認可された環境に安全なリサイクル処理に則って廃棄してください。最寄りの指定収集場所に関する情報については、当該地域の廃棄物担当当局にお問い合わせください。商用利用者は本製品の適切な廃棄方法について製品のサプライヤーに問い合わせてください。

本製品は、電気電子機器における特定有害物質の利用規制に関するRoHS指令 2011/65/EUの要件に準拠しています。

**中国**  本製品は、電子情報製品汚染制御管理弁法 (ACPEIP) の要件に準拠しています。

#### 連絡先

Axis Communications AB  
Emdalavägen 14  
223 69 Lund  
Sweden

電話: +46 46 272 18 00

FAX: +46 46 13 61 30

www.axis.com



## 安全情報

本製品を設置する前に、本インストールガイドをよくお読みください。インストールガイドは今後参照できるように保管しておいてください。

## 危険レベル

### ▲危険

回避しない場合、死亡または重傷につながる危険な状態を示します。

### ▲警告

回避しない場合、死亡または重傷につながる可能性のある危険な状態を示します。

### ▲注意

回避しない場合、軽傷または中程度の怪我につながる可能性のある危険な状態を示します。

### 注記

回避しない場合、器物の破損につながる可能性のある状態を示します。

## その他のメッセージレベル

### 重要

製品を正しく機能させるために不可欠な重要情報を示します。

### 注意

製品を最大限に活用するために役立つ有用な情報を示します。

## 安全手順

### 注記

- 本製品は、お使いになる国、地域の法律、規制にしたがって使用してください。
- 本製品を屋外またはそれに準じる環境で使用する場合は、認定済みの屋外用ハウジングに収容して設置する必要があります。
- 本製品は、乾燥した通気のよい環境に保管してください。
- 本製品に衝撃または強い圧力を加えないでください。
- 本製品を不安定なブラケット、場所または壁に設置しないでください。
- 本製品を設置する際には、適切な工具のみを使用してください。不適切な工具を使用すると、製品に過剰な力がかかり、損傷することがあります。
- 化学薬品、腐食剤、噴霧式クリーナーは使用しないでください。清掃はきれいな水に浸した清潔な布を使用して行ってください。
- 製品の技術仕様に準拠したアクセサリのみを使用してください。Axisまたはサードパーティから入手することができます。
- Axisが提供または推奨する交換部品のみを使用してください。
- 製品を自分で修理しないでください。修理に関しては、AxisまたはAxisの販売代理店にお問い合わせください。

## 輸送

### 注記

- 本製品を運搬する際は、製品が損傷しないよう、元の梱包または同等の梱包を使用してください。

## バッテリー

本製品は、内部リアルタイムクロック (RTC) 用電源として3.0V CR2032リチウムバッテリーを使用しています。このバッテリーは、通常条件下で最低5年間使用できます。

バッテリーが低電力状態になると、RTCの動作に影響し、電源を入れるたびにリセットされます。バッテリーの交換が必要になると、ログメッセージが表示されます。

必要な場合以外はバッテリーを交換しないでください。バッテリーの交換が必要な場合は、AxisサポートのWebサイト ([www.axis.com/techsup](http://www.axis.com/techsup)) を参照してください。

### **▲警告**

- バッテリーは、正しく交換しないと爆発する危険があります。
- 交換用のバッテリーには、同一品またはAxisが推奨するバッテリーのみを使用してください。
- 使用済みのバッテリーは、地域の規制またはメーカーの指示に従って廃棄してください。



## インストールガイド

このインストールガイドでは、AXIS Q1614ネットワークカメラをお使いのネットワークにインストールする手順について説明します。製品の使用の詳細については、Axisのホームページ ([www.axis.com](http://www.axis.com)) でユーザーズマニュアルを参照してください。

### 設置手順

1. パッケージ内容、ツール、設置に必要なその他の部品がそろっているかを確認します。ページ109を参照してください。
2. 「ハードウェアの概要」をよく読んでください。ページ110を参照してください。
3. 「仕様」をよく読んでください。ページ115を参照してください。
4. ハードウェアを設置します。ページ118を参照してください。
5. 製品にアクセスします。ページ119を参照してください。
6. フォーカスを設定します。ページ119を参照してください。

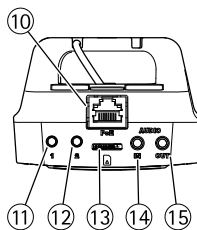
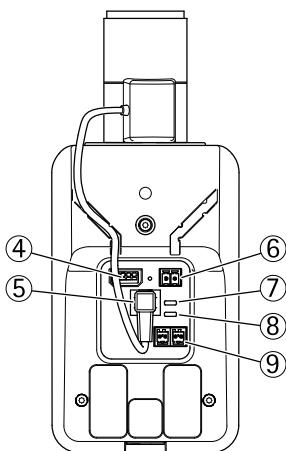
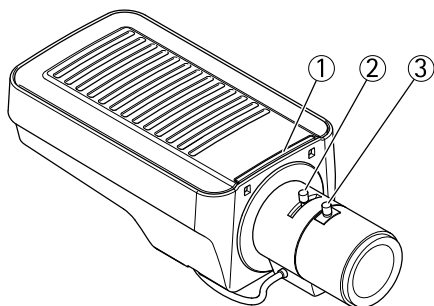
### パッケージの内容

- AXIS Q1614ネットワークカメラ
- 電源入力用2ピンコネクタブロック
- 外部デバイス接続用4ピンI/Oコネクタブロック
- カメラスタンド
- トルクスT20ドライバー
- インストール・管理ソフトウェアCD
- 印刷物
  - インストールガイド (本書)
  - 予備のシリアル番号ラベル (×2)
  - AVHS認証キー

### オプションのアクセサリ

電源アクセサリ、屋外用ハウジングなど、使用可能なアクセサリについての情報は、[www.axis.com](http://www.axis.com)をご覧ください。

## ハードウェアの概要



1. ステータスLEDインジケータ
2. ズーム調整レバー
3. フォーカス調整レバー
4. I/Oコネクタ
5. アイリスコネクタ
6. 電源コネクタ
7. 電源LEDインジケータ
8. ネットワークLEDインジケータ
9. RS485/RS422コネクタ
10. ネットワークコネクタ (PoE)

11. コントロールボタン (1)
12. 機能ボタン (2)
13. microSDカードスロット
14. 音声入力
15. 音声出力

## LEDインジケーター

LED	色	表示
ネットワーク	緑	100 Mbit/sでネットワークに接続している場合、点灯します。 ネットワークパケットを送受信した場合、点滅します。
	黄	10 Mbit/sでネットワークに接続している場合、点灯します。 ネットワークパケットを送受信した場合、点滅します。
	消灯	ネットワーク接続なし
ステータス	緑	正常に動作する場合、緑色で点灯します。
	黄	起動中および設定の復元時に黄色で点灯します。
	赤	アップグレードに失敗すると、ゆっくりと点滅します。
出力電力	緑	正常動作
	黄	ファームウェアのアップグレード中、緑/黄に交互に点滅します。

**注意**

- ステータスLEDは、正常動作時に点灯しないように設定することもできます。設定は、[Setup] (設定) - [System Options] (システムオプション) - [Ports & Devices] (ポートとデバイス) - [LED] で行います。詳細については、オンラインヘルプを参照してください。
- ステータスLEDは、イベントがアクティブなときに点滅するように設定することもできます。
- ステータスLEDは、装置の識別中に点滅するように設定することもできます。設定は、[Setup] (設定) - [System Options] (システムオプション) - [Maintenance] (保守) で行います。
- 電源LEDは、正常動作時に点灯しないように設定することもできます。設定は、[Setup] (設定) - [System Options] (システムオプション) - [Ports & Devices] (ポートとデバイス) - [LED] で行います。詳細については、オンラインヘルプを参照してください。
- ネットワークLEDは、ネットワークトラフィックがあるときに点滅しないように無効にすることができます。設定は、[Setup] (設定) - [System Options] (システムオプション) - [Ports & Devices] (ポートとデバイス) - [LED] で行います。詳細については、オンラインヘルプを参照してください。

**フォーカスアシスタントのステータスLED**

色	意味
緑	フォーカスアシスタントが有効 レンズは最適に調節されています。
黄	カメラが動いたか、レンズの前に物体が入り込みました。フォーカスアシスタントを終了して、再度開始してください。 レンズの調節は最適ではありません。
赤	カメラが動いたか、レンズの前に物体が入り込みました。フォーカスアシスタントを終了して、再度開始してください。 レンズの調節が不適切な状態です。

**フォーカスアシスタントのブザー信号**

ブザー	レンズ
短い間隔	最適に調節されています
中程度の間隔	もう少しで最適になります
長い間隔	適切に調節されていません



## 水平化アシスタントのステータスLEDとブザー信号

カメラの水平化に使用する機能ボタンの詳細については、コネクターとボタンを参照してください。

色	ブザー	カメラの位置
緑: 点灯	連続音	水平
緑: 点滅	短い間隔	ほぼ水平
橙: 点滅	中程度の間隔	水平ではない
赤: 点滅	長い間隔	かなり傾いている

## コネクターとボタン

仕様と動作条件については、ページ115を参照してください。

### ネットワークコネクター

RJ45イーサネットコネクター。PoE (Power over Ethernet) をサポート。

#### 注記

本製品は、シールドネットワークケーブル (STP) を使用して接続してください。本製品とネットワークスイッチは、個別の用途に合ったシールドネットワークケーブル (STP) を使用して接続してください。ネットワークスイッチは適切に接地してください。法的な要求事項については、*規制情報*, ページ103を参照してください。

### I/Oコネクター

動体検知、イベントトリガー、低速度撮影、アラーム通知などのアプリケーションで使用されます。補助電源とGNDピンの他に、I/Oターミナルコネクターにより次のインターフェースが提供されます。

- デジタル出力** - リレーやLEDなどの外部デバイスを接続します。接続されたデバイスは、VAPIX®アプリケーションプログラミングインターフェース、[Live View] (ライブビュー) ページの出力ボタン、イベントルールによってアクティブにすることができます。アラームデバイスがアクティブな場合は、出力がactiveとして表示されます ([System Options] (システムオプション) - [Port & Devices] (ポートとデバイス) で表示)。
- デジタル入力** - 回路の開閉の切り替えが可能なデバイス (PIR、ドアや窓のコンタクト、ガラス破損検知器など) を接続するためのアラーム入力です。信号を受取ると状態が変化し、入力がactiveになります ([System Options] (システムオプション) - [Ports & Devices] (ポートとデバイス) で表示)。

## 電源コネクタ

電源入力用2ピンターミナルブロック。定格出力が100 W以下または5 A以下の安全特別低電圧 (SELV) に準拠した有限電源 (LPS) を使用してください。

## 音声コネクタ

本製品は、以下の音声コネクタを搭載しています。

- **音声入力 (ピンク)** - モノラルマイクロフォンまたはライン入力モノラル信号用 (左チャンネルはステレオ信号で使用) 3.5 mm入力。
- **音声出力 (緑)** - 3.5 mmの音声 (ラインレベル) 出力 (パブリックアドレス (PA) システムまたはアンプ内蔵アクティブスピーカーに接続可能)。音声出力には、ステレオコネクタを使用する必要があります。

## RS485/RS422 コネクタ

PTZデバイスなど補助装置の制御に使用する、RS485/RS422シリアルインターフェース用のターミナルブロック (×2)

## SDカードスロット

microSDメモリーカード (非付属品) を使用すると、ローカルに録画を行えます。詳細については、仕様 ページ 115を参照してください。

### 注記

SDカードは取り外す前に、録画データが破損しないようにアンマウントする必要があります。SDカードをアンマウントするには、**[Setup] (設定) - [System Options] (システムオプション) - [Storage] (ストレージ) - [SD Card] (SDカード)** を選択し、**[Unmount] (アンマウント)** をクリックします。

## コントロールボタン

コントロールボタンは、以下の用途で使用します。

- 製品を工場出荷時の設定にリセットする。ページ 127を参照してください。
- AXIS Video Hosting SystemサービスまたはAXIS Internet Dynamic DNSサービスに接続する。これらのサービスの詳細については、ユーザーズマニュアルを参照してください。

## 機能ボタン

機能ボタンは、以下の機能を備えています。

- **水平化アシスタント** - カメラを水平にするのに役立つ機能です。ボタンを約3秒押し続けると水平化アシスタントが始動し、もう一度押しと停

止します。ステータスLED (ページ 113参照) とブザー信号 (ページ 112参照) を使用して、カメラの水平化を行います。カメラが水平になると、ブザーが連続音になります。

- フォーカスアシスタント** – この機能はフォーカスアシスタントを有効にするために使用します。フォーカスアシスタントを有効にするには、ボタンを押してすぐに離します。もう一度押すと、フォーカスアシスタントが停止します。詳細については、ページ 120を参照してください。

## 仕様

### 動作条件

本製品は屋内対応モデルです。

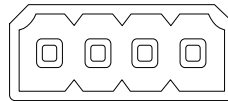
製品	温度	湿度
AXIS Q1614	0° C ~ 50° C	20 ~ 85% RH (結露不可)

### コネクタ

#### I/Oターミナルコネクタ

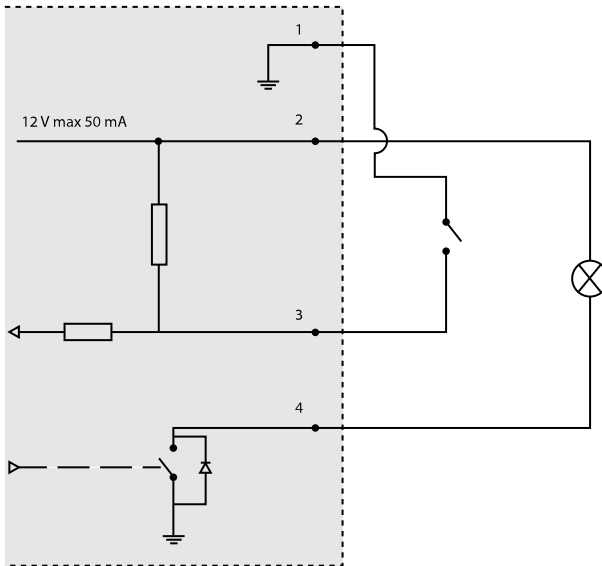
4ピンターミナルブロック:

- デジタル入力
- デジタル出力
- 補助電源およびグラウンド (GND)



機能	ピン	備考	仕様
GND	1	グラウンド	
12 V DC 電源	2	補助装置の電源供給に使用できます。 備考: このピンは、電源出力としてのみ使用できます。	最大負荷=50 mA

設定可能 (入力または出力)	3、4	デジタル入力 - 動作させるにはGNDに接続し、動作させない場合はフロート状態(未接続)のままにします。	0～+30 V DC
		デジタル出力 - 動作させるにはグラウンドに内部接続し、動作させない場合はフロート状態(未接続)にします。誘導負荷(例: リレー)とともに使用する場合は、過渡電圧から保護するため、ダイオードを負荷と並列に接続する必要があります。	最大負荷=100 mA 最大電圧= +30 V DC

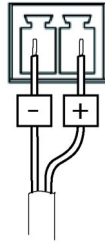


- 3. 入力として設定されたI/O
- 4. 出力として設定されたI/O

## 電源コネクター

電源入力用2ピンターミナルブロック。定格出力が100 W以下または5 A以下の安全特別低電圧 (SELV) に準拠した有限電源 (LPS) を使用してください。

### DC電源入力



## 音声コネクター

3.5 mm 音声コネクター (ステレオ)

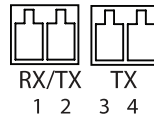


	音声入力	音声出力
1 先端部	バランス型マイクロフォンホット (+) 入力/アンバランス型マイクロフォン入力/ライン入力	ライン出力 (モノラル)
2 リング	バランス型マイクロフォンコールド (-) 入力	
3 スリーブ	グラウンド	グラウンド

## RS-485/422 コネクター

RS485/RS422シリアルインターフェイス用2ピンターミナルブロック (×2)。以下のように設定できます。

- 2ワイヤーRS485半二重
- 4ワイヤーRS485全二重
- 2ワイヤーRS422単方向
- 4ワイヤーRS422全二重ポイントツーポイント通信



機能	ピン	備考
RS485B 代替 RS485/422 RX(B)	1	すべてのモードのRXペア(2ワイヤーRS-485のRX/TXペア)
RS485A 代替 RS485/422 RX(A)	2	
RS485/RS422 TX(B)	3	RS-422、4ワイヤーRS-485のTXペア
RS485/RS422 TX(A)	4	

## 重要

推奨されるケーブルの長さは最大30mです。

## SDカードスロット

最大64 GBのmicroSDカードを使用することができます。最高の録画パフォーマンスを確保するには、スピードクラス10のmicroSDHCまたはmicroSDXCカードを使用してください。

## ハードウェアの設置

### 注記

本製品を使用する場所の地域条例、環境、電気的条件によっては、シールドネットワークケーブル (STP) の使用が推奨または必要になります。野外または電氣的に厳しい環境にネットワークケーブルを配線する場合は、個別の用途に合ったシールドネットワークケーブル (STP) を使用してください。

- 必要に応じて、警報装置などの外部入力/出力装置を接続します。ターミナルコネクタのピンの詳細については、コネクタ、ページ 115を参照してください。
- 必要に応じて、アクティブスピーカー、外部マイクを接続します。
- シールドネットワークケーブルを使用して、カメラをネットワークに接続します。
- 以下のどちらかの方法で、電源を接続します。
  - PoE (Power over Ethernet)。PoEは、ネットワークケーブルを接続すると自動的に検出されます。
  - 外部電源アダプターを電源コネクタブロックに接続します。コネクタとボタン、ページ 113を参照してください。

5. LEDインジケータが正常な状態を示すことを確認します。詳細については、ページ111の表を参照してください。ステータスLEDは、正常動作時に点灯しないように設定することもできます。
6. 必要に応じて、microSDカード(非付属品)をSDカードスロットに挿入します。

### 注記

SDカードは、取り外す前に、録画データが破損しないようにアンマウントする必要があります。SDカードをアンマウントするには、[Setup] (設定) - [System Options] (システムオプション) - [Storage] (ストレージ) - [SD Card] (SDカード) を選択し、[Unmount] (アンマウント) をクリックします。

## 製品へのアクセス

インストール・管理ソフトウェアCDに収録されているツールを使用して、IPアドレスの割り当て、パスワードの設定、ビデオストリームへのアクセスを行うことができます。この情報はAxisのWebサイトのサポートページ([www.axis.com/techsup](http://www.axis.com/techsup))にも掲載されています。

## フォーカスの調節

ズームとフォーカスを調整するには、以下の手順にしたがいます。

### 注意

- フォーカス調整レバーがフォーカスアシスタントを使用してフォーカスをできるだけ正確に設定してから、自動微調整を開始します。通常は、フォーカス調整レバーを使用して、最適な結果を得ることができます。
  - フォーカスの調整中には、常に絞りを最大に開いておく必要があります。これにより被写界深度が最小となり、フォーカス補正に最適な条件になります。
1. 製品のホームページを開き、[Setup] (設定) - [Basic Setup] (基本設定) - [Focus] (フォーカス) を選択します。
  2. [Basic] (ベーシック) タブで、[Open iris] (開く) をクリックします。絞りがすでに開いている場合、このボタンは使用できない状態になっています。
  3. 以前にフォーカスを設定している場合は、[Reset] (元に戻す) をクリックしてバックフォーカスのリセットを行います。
  4. レンズのズーム調整レバーとフォーカス調整レバー(ハードウェアの概要、ページ110を参照)を、反時計回りに回してゆるめます。レバーを動かしてズームとフォーカスを調整し、映像ウィンドウで画質を確認します。映像を見ながらレバーを動かせるようにカメラが設置されていない場合は、フォーカスアシスタントを使用します。フォーカスアシスタント、ページ120を参照してください。
  5. ズーム調整レバーとフォーカス調整レバーを締め直します。

6. [Focus] (フォーカス) ページで、**[Fine-tune focus automatically] (オートフォーカス微調整)** をクリックして、自動微調整の完了を待ちます。
7. **[Enable iris] (絞り有効)** をクリックします。絞りがすでに有効な場合、このボタンは使用できない状態になっています。
8. 必要に応じて、**[Advanced] (高度な設定)** タブでさらに調整を行います。詳細については、オンラインヘルプを参照してください。

## フォーカスアシスタント

### 注意

- フォーカスの調整中(手順5、6)はカメラ前の被写体に変化しないようにしてください。カメラが動いたり、レンズの前に指やその他の物体が入り込んだ場合は、手順3~7を繰り返す必要があります。
- カメラの前の被写体の動きを止めることができない場合は、フォーカスアシスタントを使用しないでください。
- 機能ボタンに手が届かない場所にカメラを設置する場合でも、フォーカスアシスタントを使用できます。手順4までは上記の手順にしたがい、機能ボタンを押してからカメラを設置し、手順7はスキップします。

フォーカスアシスタントを使用してネットワークカメラのフォーカスを合わせる場合は、ページ119の手順1~3の指示にしたがい、その後、以下の手順を開始してください。ハードウェアの概要、ページ110を参照してください。

1. カメラが動かないようにしっかりと固定します。
2. ズーム調整レバーを反時計回りに回してゆるめます。レバーを動かしてズーム倍率を設定します。ズーム調節レバーを締め直します。
3. フォーカス調整レバーをゆるめてレンズを時計方向にいっぱいまで回し、最も離れた位置にフォーカスを合わせます。
4. 機能ボタンを押して、すぐに離します。ステータスLEDが緑色に点滅して、フォーカスアシスタントが有効になります。  
 レンズの調整が可能になる前にステータスLEDが赤または黄色に点滅する場合は、手順7にしたがってフォーカスアシスタントを終了してから、手順3~7を繰り返してください(上記の注を参照)。フォーカスアシスタントのステータスLED、ページ112を参照してください。
5. レンズを反時計方向にいっぱいまでゆっくりと回します。
6. ステータスインジケータが緑または黄色(赤以外)に点滅するまでレンズを時計方向にゆっくりと回します。
7. フォーカス調整レバーを締め直します。
8. Webブラウザで**[Live View] (ライブビュー)** ページを開き、映像の画質を確認します。
9. ページ119の手順6~8にしたがいます。



## レンズの交換

本製品ではオプションのレンズを使用することができます。

レンズを交換する手順は以下のとおりです。

1. アイリスケーブルを外します。
2. 標準のレンズのネジを外します。
3. 新しいレンズを取り付けます。

## 工場出荷時の設定にリセットする

### 重要

工場出荷時の設定へのリセットは慎重に行ってください。工場出荷時の設定へのリセットを行うと、IPアドレスを含むすべての設定が工場出荷時の値にリセットされます。

### 注意

インストール・管理ソフトウェアツールは、製品に付属のCDと、[www.axis.com/techsup](http://www.axis.com/techsup)のサポートページから入手できます。

本製品を工場出荷時の設定にリセットするには、以下の手順を実行します。

1. 本製品の電源を切ります。
2. コントロールボタンを押しながら、電源を再投入します。ハードウェアの概要、ページ110を参照してください。
3. ステータスインジケータLEDが黄色に点滅するまで、コントロールボタンを押し続けます(約15~30秒間)。
4. コントロールボタンを離します。プロセスが完了すると、ステータスインジケータLEDが緑色に変わります。これで本製品は工場出荷時の設定にリセットされました。ネットワーク上に利用可能なDHCPサーバーがない場合、デフォルトのIPアドレスは192.168.0.90になります。
5. インストール・管理ソフトウェアツールを使用して、IPアドレスの割り当て、パスワードの設定、ビデオストリームのアクセスを行います。
6. 本製品のフォーカスを調節します。

Webインターフェースを使用して、各種パラメーターを工場出荷時の設定に戻すことも可能です。**[Setup] (設定) - [System Options] (システムオプション) - [Maintenance] (保守)**を選択します。

## 関連情報

ユーザーマニュアルは[www.axis.com](http://www.axis.com)で入手できます。

[www.axis.com/techsupl](http://www.axis.com/techsupl)にアクセスして、ネットワーク製品用ファームウェアのアップデート版がリリースされていないかどうか確認してください。現在インストールされているファームウェアのバージョンを確認するには、**Setup (設定) > About (バージョン情報)**へ進みます。

Axisラーニングセンター ([www.axis.com/academy](http://www.axis.com/academy)) には、役立つトレーニング、ウェビナー、チュートリアル、ガイドなどがあります。

## 保証

Axisの製品保証と関連情報については、[www.axis.com/warranty](http://www.axis.com/warranty)をご覧ください。



