

INSTALLATION GUIDE

AXIS Q87-E Dual PTZ Network Camera Series

AXIS Q8721-E Dual PTZ Network Camera

AXIS Q8722-E Dual PTZ Network Camera

Legal Considerations

Video and audio surveillance can be prohibited by laws that vary from country to country. Check the laws in your local region before using this product for surveillance purposes. This product includes two (1) H.264 decoder licenses. To purchase further licenses, contact your reseller.

Trademark Acknowledgments

Apple, Boa, Bonjour, Ethernet, Internet Explorer, Linux, Microsoft, Mozilla, Real, SMPTE, QuickTime, UNIX, Windows, Windows Vista and WWW are registered trademarks of the respective holders. Java and all Java-based trademarks and logos are trademarks or registered trademarks of Oracle and/or its affiliates. UPnP™ is a certification mark of the UPnP™ Implementers Corporation.


Electromagnetic Compatibility (EMC)

This equipment, configured with designated power supply and IR illuminators (sold separately), has been designed and tested to fulfill applicable standards for:

- Radio frequency emission when installed according to the instructions and used in its intended environment.
- Immunity to electrical and electromagnetic phenomena when installed according to the instructions and used in its intended environment.

USA – This equipment has been tested using a shielded network cable and found to comply with the limits for a Class A digital device, pursuant to part 15 of the FCC Rules. These limits are designed to provide reasonable protection against harmful interference when the equipment is operated in a commercial environment. This equipment generates, uses, and can radiate radio frequency energy and, if not installed and used in accordance with the instruction manual, may cause harmful interference to radio communications. Operation of this equipment in a residential area is likely to cause harmful interference in which case the user will be required to correct the interference at his own expense.

Canada – This Class A digital apparatus complies with Canadian ICES-003.

Europe –  This digital equipment fulfills the requirements for RF emission according to the Class A limit of EN 55022. Caution! This is a Class A product. In a domestic environment this product may cause RF interference, in which case the user may be required to take adequate measures.

This product fulfills the requirements for immunity according to EN 61000-6-1 residential, commercial and light-industry environments. This product fulfills the requirements for immunity according to EN 61000-6-2 industrial environments. This product fulfills the requirements for immunity according to EN 55024 office and commercial environments.

Australia – This digital equipment fulfills the requirements for RF emission according to the Class A limit of AS/NZS CISPR 22. NOTICE! This is a class A product. In a domestic environment this product may cause RF interference, in which case the user may be required to take adequate measures.

Safety

This product complies with EN/IEC 60950-1 and EN/IEC 60950-22, Safety of Information Technology Equipment.

Photobiological Safety

This product, configured with IR illuminators (sold separately), fulfills the requirements for photobiological safety according to EN 62471 (risk group 1).

Equipment Modifications

This equipment must be installed and used in strict accordance with the instructions given in the user documentation. This equipment contains no user-serviceable components. Unauthorized equipment changes or modifications will invalidate all applicable regulatory certifications and approvals.

Liability

Every care has been taken in the preparation of this document. Please inform your local Axis office of any inaccuracies or omissions. Axis Communications AB cannot be held responsible for any technical or typographical errors and reserves the right to make changes to the product and documentation without prior notice. Axis Communications AB makes no warranty of any kind with regard to the material contained within this document, including, but not limited to, the implied warranties of merchantability and fitness for a particular purpose. Axis Communications AB shall not be liable nor responsible for incidental or consequential damages in connection with the furnishing, performance or use of this material. This product is only to be used for its intended purpose.

RoHS

This product complies with both the European RoHS directive, 2002/95/EC, and the Chinese RoHS regulations, ACPEIP.



WEEE Directive

The European Union has enacted a Directive 2002/96/EC on Waste Electrical and Electronic Equipment (WEEE Directive). This directive is applicable in the European Union member states.



The WEEE marking on this product (see right) or its documentation indicates that the product must not be disposed of together with household waste. To prevent possible harm to human health and/or the environment, the product must be disposed of in an approved and environmentally safe recycling process. For further information on how to dispose of this product correctly, contact the product supplier, or the local authority responsible for waste disposal in your area. Business users should contact the product supplier for information on how to dispose of this product correctly. This product should not be mixed with other commercial waste.

Support

Should you require any technical assistance, please contact your Axis reseller. If your questions cannot be answered immediately, your reseller will forward your queries through the appropriate channels to ensure a rapid response. If you are connected to the Internet, you can:

- download user documentation and firmware updates
- find answers to resolved problems in the FAQ database. Search by product, category, or phrases
- report problems to Axis support by logging in to your private support area

Contact Information

Axis Communications AB
Emdalvägen 14
223 69 Lund
Sweden
Tel: +46 46 272 18 00
Fax: +46 46 13 61 30
www.axis.com

Safeguards

Please read through this Installation Guide carefully before installing the product. Keep the Installation Guide for further reference.

⚠ CAUTION

- Risk of pinching. Do not touch the product while it is moving.

NOTICE

- Store the Axis product in a dry and ventilated environment.
- Avoid exposing the Axis product to vibration, shocks or heavy pressure and do not install the product on unstable brackets, unstable or vibrating surfaces or walls, since this could cause damage to the product.
- Only use applicable tools when installing the Axis product; excessive force could cause damage to the product.
- Do not aim the thermal camera lens toward the sun or other high-intensity radiation sources since this could cause damage to the sensor.
- Do not use chemicals, caustic agents, or aerosol cleaners. Use a damp cloth for cleaning.
- Only use accessories that comply with the technical specification of the product. These can be provided by Axis or a third party.
- Use only spare parts provided by or recommended by Axis.
- Do not attempt to repair the product by yourself, contact Axis or your Axis reseller for service matters.

Important

- This Axis product shall be used in compliance with local laws and regulations.
- Do not install the camera near heat sources since fluctuating temperatures may affect thermal image quality.
- The Axis product should be installed by a trained professional. Please observe relevant national and local regulations for the installation.

Transportation

NOTICE

- When transporting the Axis product, use the original packaging or equivalent to prevent damage to the product.

Battery Replacement

This Axis product uses a 3.0 V CR2032 Lithium battery as the power supply for its internal real-time clock (RTC). Under normal conditions this battery will last for a minimum of 5 years. Low battery power affects the operation of the RTC, causing it to reset at every power-up. A log message will appear when the battery needs replacing. The battery should not be replaced unless required!

If the battery does need replacing, please contact www.axis.com/techsup for assistance.

⚠ WARNING

- Dispose of used batteries according to the manufacturer's instructions.

NOTICE

- Risk of explosion if battery is incorrectly replaced.
- Replace only with the same or equivalent battery, as recommended by the manufacturer.

AXIS Q87-E Installation Guide

This Installation Guide provides instructions for installing an AXIS Q8721-E Dual PTZ Network Camera or an AXIS Q8722-E Dual PTZ Network Camera on your network. For all other aspects of using the product, please see the User Manuals, available at www.axis.com

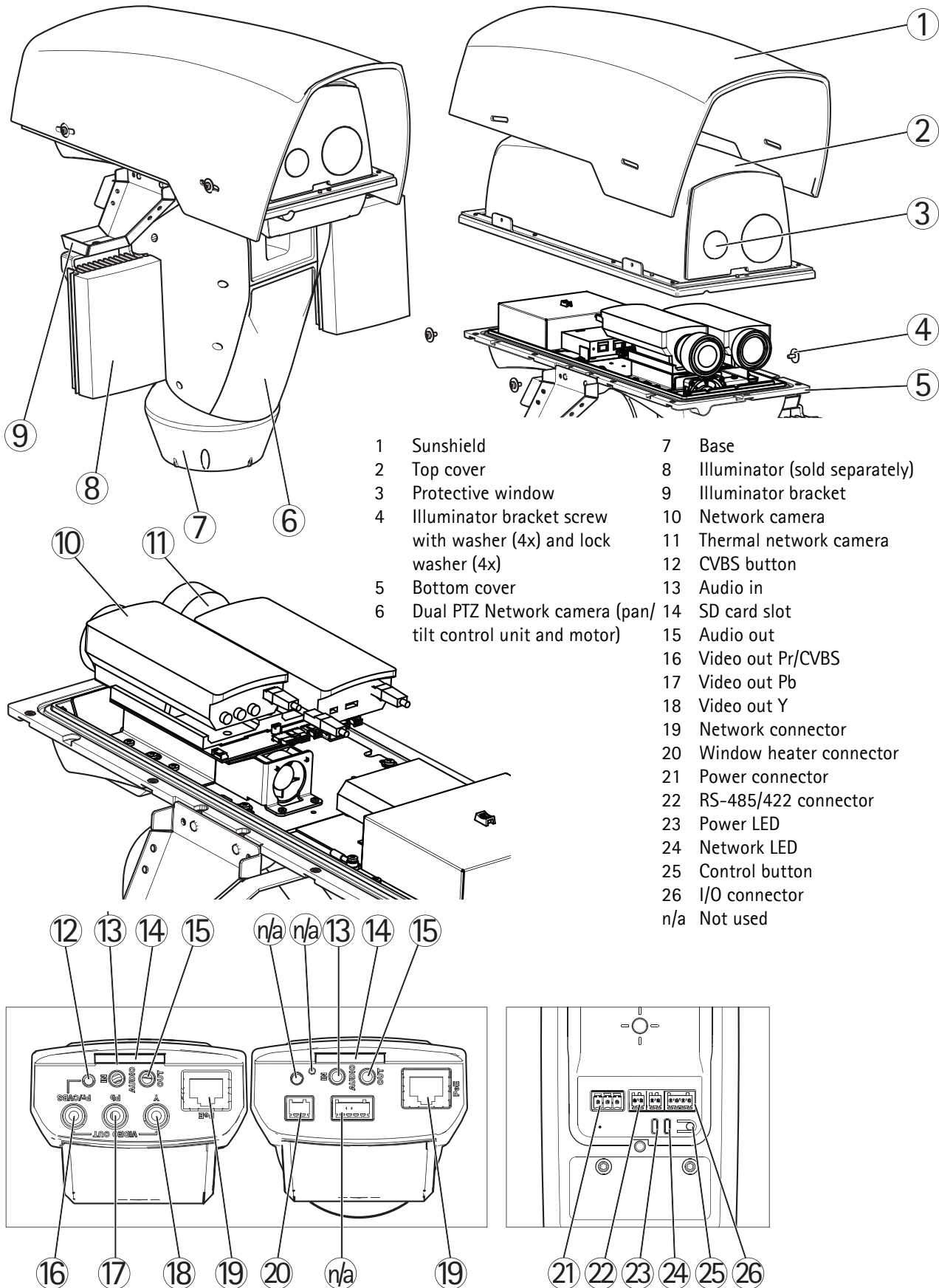
Installation Steps

1. Check the package contents against the list below.
2. Hardware overview. See page 6.
3. Install the hardware.
 - Install the Power Supply (sold separately), see page 7.
 - Install the Bracket (sold separately), see page 8.
 - Attach the Base to the Bracket, see page 10.
 - Attach the AXIS Q87-E Dual PTZ Network Camera Series to the Base, see page 13.
 - Install the Illuminators (sold separately), see page 16.
 - Install the Counterweights, see page 14.
4. Configuration. See page 17.
5. Access the Video Stream. See page 18.

1 Package Contents

Item	Models/variants/notes
Dual PTZ network camera	AXIS Q8721-E, includes AXIS Q1755 and AXIS Q1921 AXIS Q8722-E, includes AXIS Q1755 and AXIS Q1922 Pan/tilt control unit and motor Sunshield
Base	Base for dual PTZ network camera
Counterweights	Counterweights for balancing pan/tilt control unit (when not using illuminators)
Mounting accessories	Sunshield mounting kit Base mounting kit
CD	Installation and Management Software CD
Printed materials	AXIS Q87-E Installation Guide (this document) Extra serial number labels (2x)
Required accessories	Power supply (230 V/120 V) with built-in day/night sensor (sold separately) Wall bracket or column bracket (sold separately)
Optional accessories	Corner mount, pole mount IR Illuminators Axis Installation Display See www.axis.com for information on available accessories
Tools needed (not included)	RJ45 crimp tool Allen key set Ratchet set Drill for drilling holes in mounting surface Loctite 243® threadlocker

2 Hardware Overview



3 Install the Hardware

For information on the cameras' connectors, LED behaviors etc., see the respective User Manuals.

Install the Power Supply (sold separately)

⚠ WARNING

The mains supply shall be disconnected during installation.

NOTICE

The power supply specified with the product shall be used. Using any other power supply will void the warranty and could leave the unit at a risk.

Important

The day/night sensor is attached to the power supply (sold separately). If using the day/night sensor, place the power supply so that the sensor can track the changes in daylight.

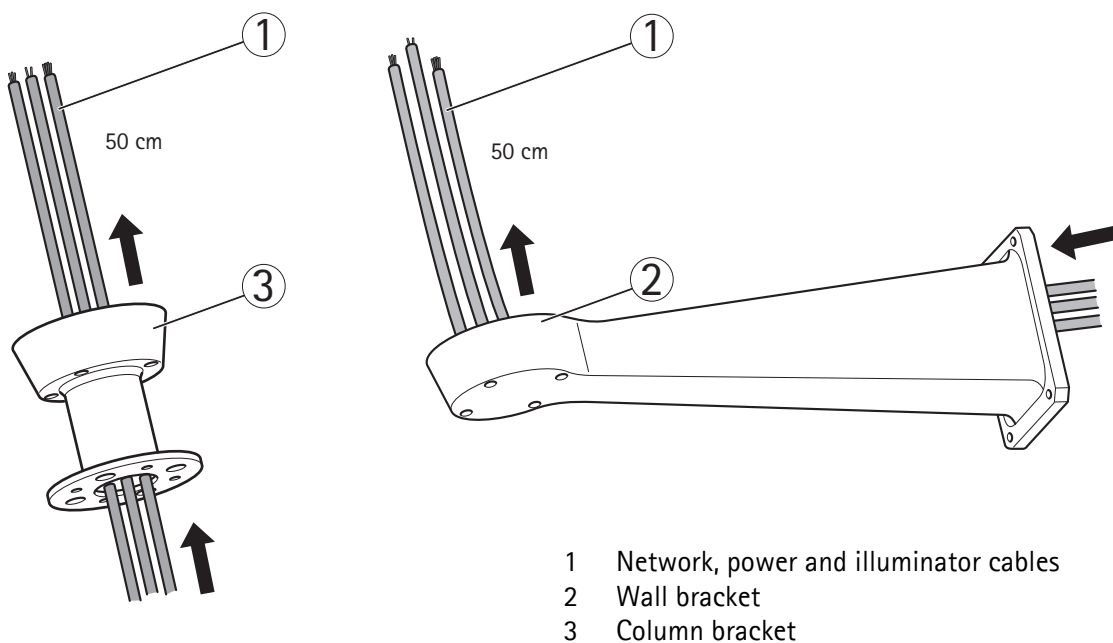
1. Install the power supply according to the instructions supplied with the power supply.

Install the Bracket (sold separately)

1. Prepare a wall, parapet or pole for installation of the selected bracket (sold separately). See www.axis.com for information on available mounting accessories.
2. Route the network, power and, if applicable, illuminator cables through the bracket. Leave approximately 50 cm (11.8") of cable for connecting the base.

NOTICE

Due to local regulations or the environmental and electrical conditions in which the product is to be used, a shielded network cable (STP) may be appropriate or required. Any network cables that are routed in outdoor environments or similar shall be shielded (STP) and intended for their specific use. Make sure that the network switch is properly grounded. See *Electromagnetic Compatibility (EMC)* for regulatory requirements.

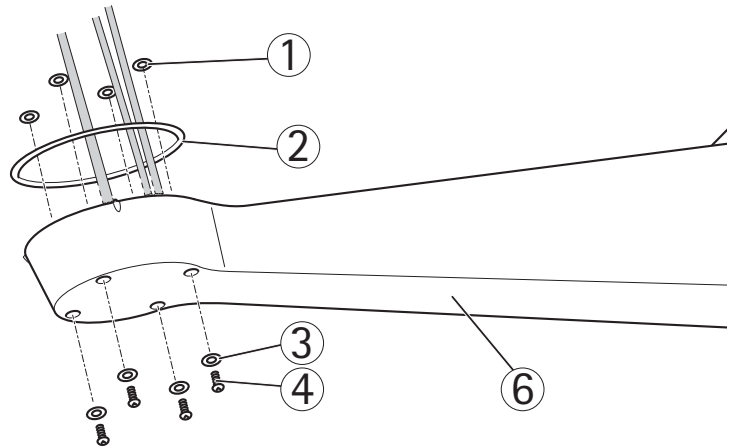
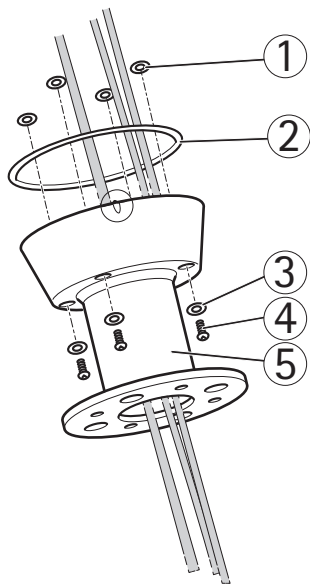


3. Install the selected bracket. Make sure that the screws and plugs are appropriate for the material (e.g. wood, metal, sheet rock, stone). Make sure that the bracket is secured properly and that the material is strong enough to support a weight of 35 kg (77.2 lb.).

Important

- Assemble the product in an upright position. Do not install the product upside down.
- When attaching the bracket to a concrete surface, use dowel pins with a traction torque rating of ≥ 300 dN.
- When attaching the bracket to a metal surface, use screws with a diameter of at least 8 mm.

4. Assemble the screws, washers and screw seals.
5. Put the seal in its position.



- | | | | |
|---|-----------------|---|----------------|
| 1 | Screw seal (4x) | 4 | Screw (4x) |
| 2 | Seal | 5 | Column bracket |
| 3 | Washer (4x) | 6 | Wall bracket |

Attach the Base to the Bracket

1. Remove the desiccant bag, which is placed in the base.
2. Make sure the seal is in position.
3. Route the network, power and, if applicable, illuminator cables through their respective cable glands in the base.

Important

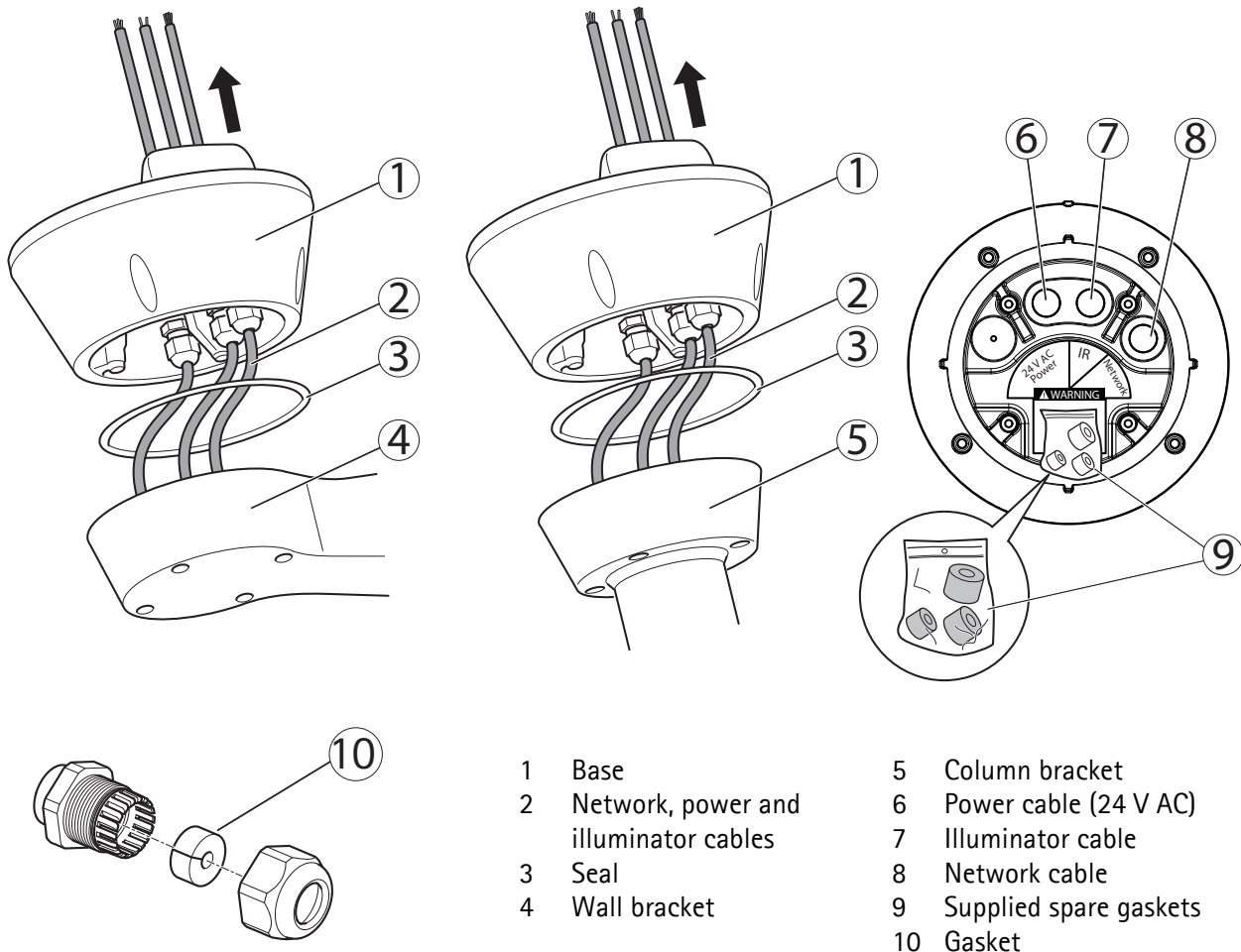
The cable gland for the power cable, and the IR illuminator cable has a pre-mounted gasket suitable for cables with a diameter of 5 mm - 10 mm. For cables with a diameter 3 mm - 7 mm, use the supplied spare gaskets.

The cable gland for the network cable has a pre-mounted gasket suitable for cables with a diameter of 3 mm - 7 mm. For cables with a diameter 5 mm - 10 mm, use the supplied spare gaskets.

4. Screw the cable gland caps on firmly.

NOTICE

To maintain the product's IP rating and reduce cable strain, make sure to tighten the cable gland caps.



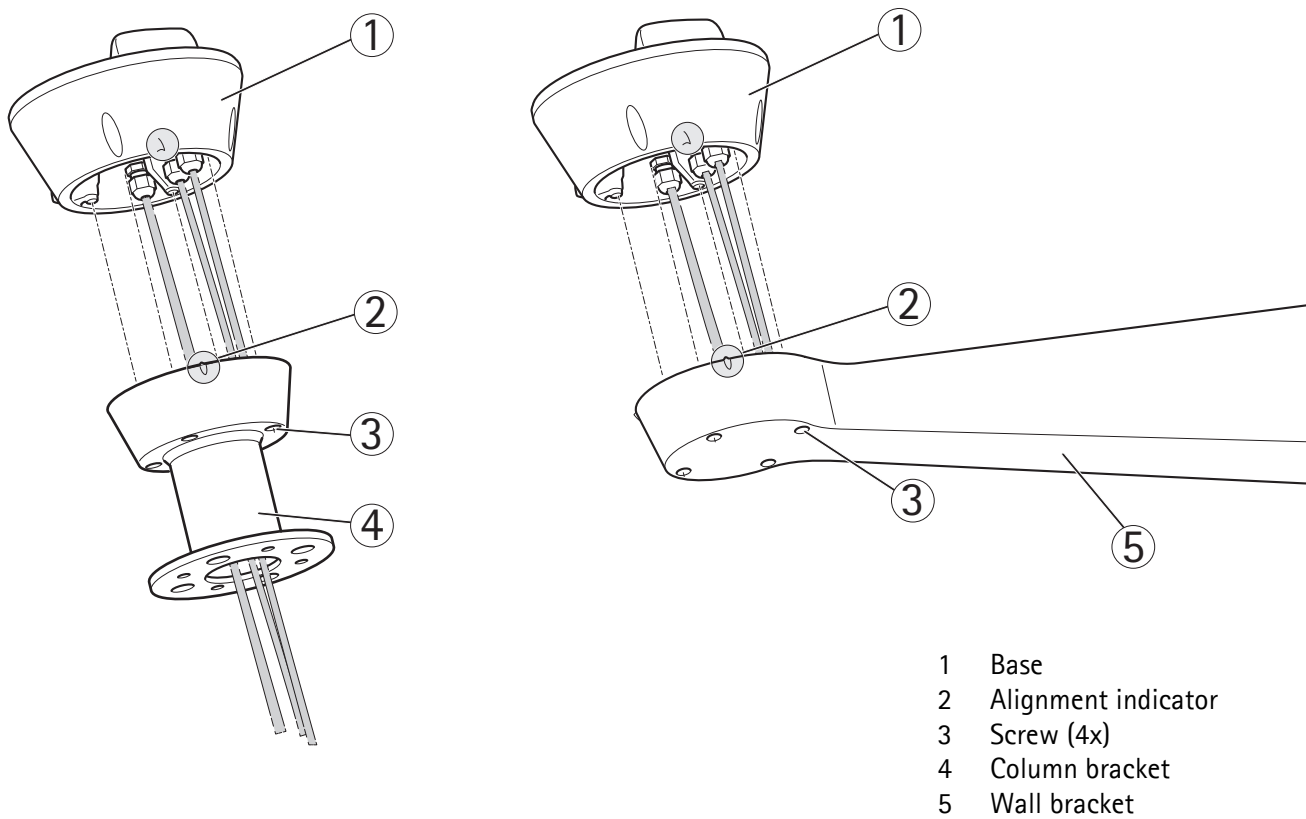
5. Attach the base to the bracket and tighten the screws (torque 4 Nm).

NOTICE

Apply Loctite 243® threadlocker on the screws.

Important

The base can be attached to the bracket in four different positions. Use the alignment indicators on the different units to find a suitable position that allows access to the configuration board, which can be opened for easy access to the network connector, see illustration on page 12. This is useful for troubleshooting or for connecting an Axis installation display. The dip switches are configured with the correct PTZ protocol in the factory and do not need to be changed.

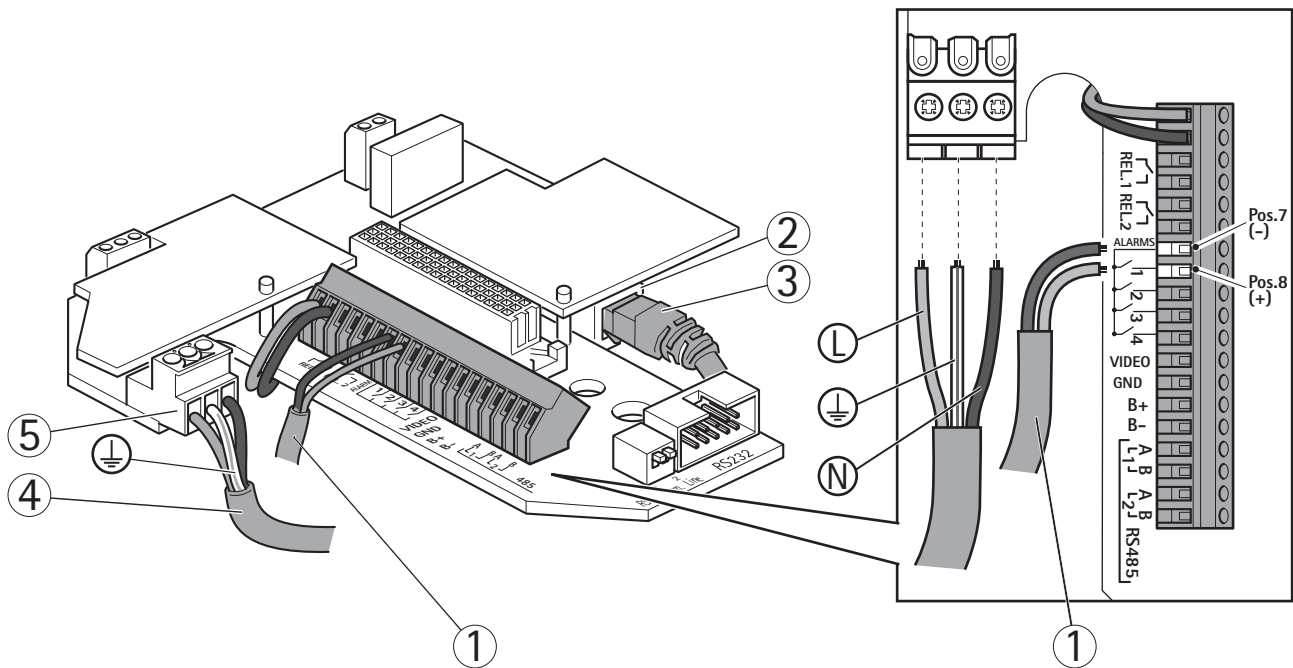


6. If applicable, connect the illuminator cable to the connector (ALARMS and 1) on the base.
7. Using a RJ45 crimp tool, strip and crimp the network cable according to the manufacturer's instructions.
8. Connect the network cable to the network connector on the base.

NOTICE

The power supply specified with the product shall be used. Using any other power supply will void the warranty and could leave the unit at a risk.

9. 234Connect the 24 V AC power cable to the power connector on the base. Make sure the green/yellow ground wire is connected to the middle pin. To make the installation easier, it is possible to remove the connector from the circuit board and mount it when the cables are correctly connected.



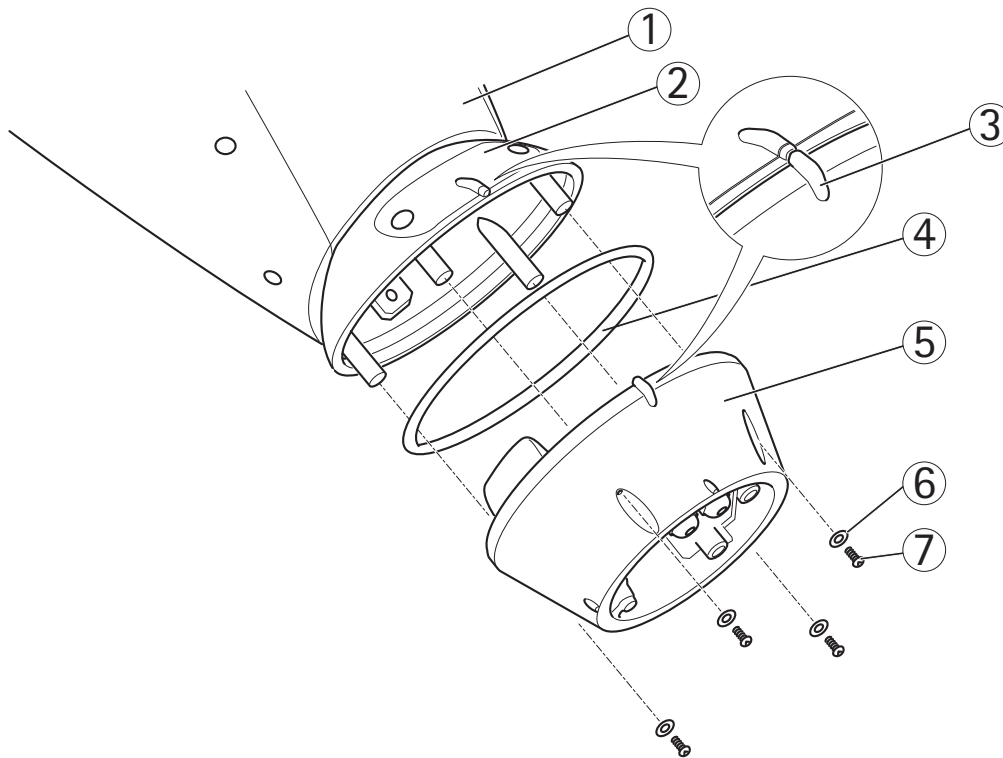
- | | | | |
|---|-------------------|---|---|
| 1 | Illuminator cable | 4 | Power cable (24 V AC, blue – L, green/yellow – \perp , brown – N) |
| 2 | Network connector | 5 | Power connector (24 V AC) |
| 3 | Network cable | | |

Attach the AXIS Q87-E Dual PTZ Network Camera Series to the Base

1. Make sure the seal is in position.
2. Remove the sunshield, which is placed on but not attached to, from the top cover.
3. Attach the Pan/Tilt control unit, motor and camera assembly to the base and tighten the screws (torque 4 Nm).

NOTICE

Use the alignment indicators to align the units. Incorrect alignment could cause damage to components.



- | | | | |
|---|--|---|-------------|
| 1 | Pan/Tilt control unit, motor and camera assembly | 4 | Seal |
| 2 | Configuration board lid | 5 | Base |
| 3 | Alignment indicators | 6 | Washer (4x) |
| | | 7 | Screw (4x) |

4. Aim the dual PTZ network camera to the point of interest and focus the thermal network camera if required, see *Focus Adjustment - AXIS Q1921/AXIS Q1922*, on page 18. See *Access the Video Stream*, on page 18 and the Installation and Management Software CD for information on how to view the video stream.
5. Install the counterweights, see *Install the Counterweights*, on page 14 or install the selected illuminators (sold separately), see page 16. Infrared LED Illuminators are available as accessories, see www.axis.com for information of available illuminators.

NOTICE

Either counterweights or illuminators shall be installed. Any other installation method will void the warranty and could leave the unit at a risk

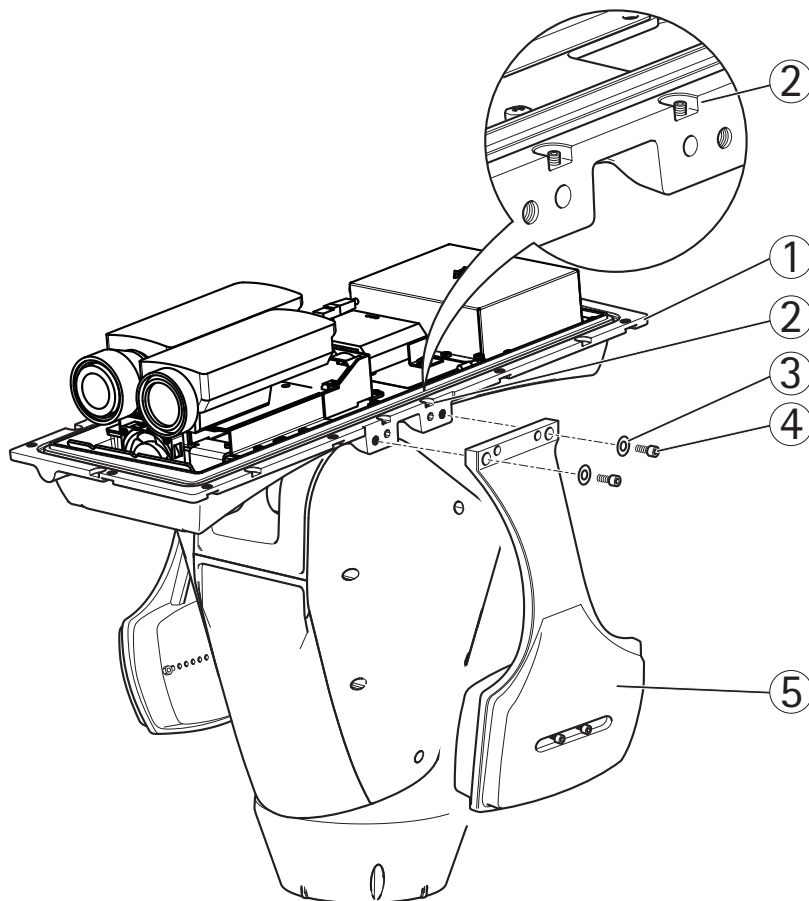
Install the Counterweights

1. Unscrew the bottom cover screws and remove the top cover, see illustration on page 15.
2. Attach the counterweights to the bottom cover using the supplied screws and washers (torque 4 Nm).

NOTICE

Apply Loctite 243® threadlocker on the screws.

3. Secure the counterweights using the supplied grub screws (torque 4 Nm).

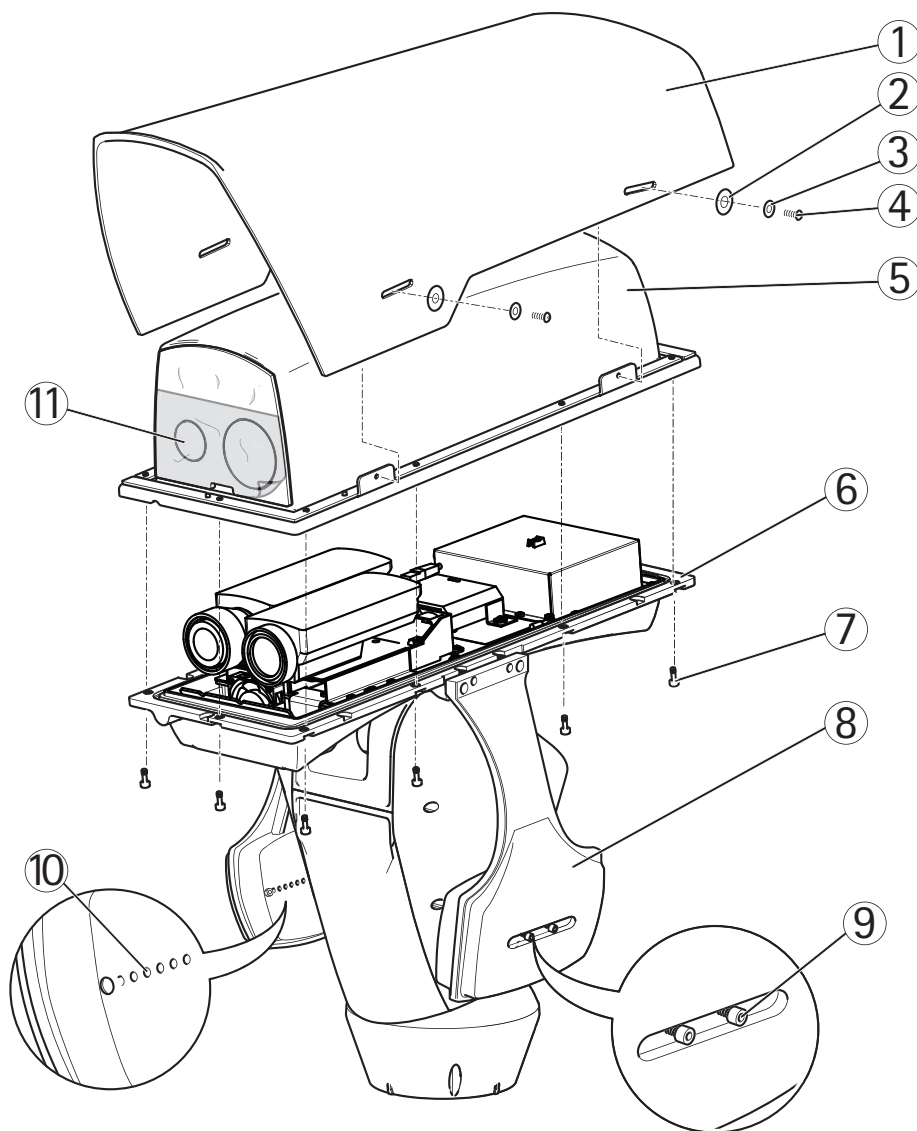


- 1 Bottom cover
- 2 Grub screw (4x)
- 3 Washer (4x)
- 4 Screw (4x)
- 5 Counterweight (2x)

4. Attach the top cover to the bottom cover. Make sure to tighten diagonally opposite bottom cover screws a few turns at a time until all are tight (torque 4 Nm). This will help ensure that the bottom cover gasket is compressed evenly.
5. Attach the sunshield to the top cover.
6. Loosen the counterweight locking screws and adjust the position of the weights to the desired position. The positions of the weights must be identical.

Note:The pan/tilt assembly must remain balanced for the pan/tilt function to operate correctly. Check the balance by swinging the housing slightly.

7. Remove the protective plastic from the protective window.



- | | |
|------------------------|--------------------------------|
| 1 Sunshield | 7 Bottom cover screw (10x) |
| 2 Washer (4x) | 8 Counterweight |
| 3 Lock washer (4x) | 9 Counterweight locking screws |
| 4 Sunshield screw (4x) | 10 Positioning holes |
| 5 Top cover | 11 Protective plastic |
| 6 Bottom cover | |

8. Switch on the mains supply. The pan/tilt control unit will start turning and the cameras will turn on approximately 30 seconds later. In cold temperatures, there might be a delay due to the de-icing process, see *Day/Night Sensor*, on page 17.

⚠ CAUTION

Risk of pinching. Do not touch the product while it is moving.

Install the Illuminators (sold separately)

See the Installation Guide provided with the illuminators for instructions on how to install the illuminators (sold separately).

Composite Video (Optional AXIS Q1755)

For information how to connect composite video in/out, see AXIS Q1755 User Manual.

4 Configuration

For information about how to assign an IP address and gain access to the product, see *Access the Video Stream*, on page 18 and the Installation and Management Software CD.

PTZ

The PTZ functionality is controlled through the network camera. The PTZ controls will be available from the Live View page in the network camera's web pages after enabling the PTZ functionality. See the User Manual, available at www.axis.com

Day/Night Sensor

The day/night sensor is attached to the power supply (sold separately).

The product is configured in the factory for optimal performance in a range of conditions. However, settings can be adjusted to suit specific conditions on site.

To adjust the sensitivity of the day/night sensor, turn the potentiometer until it reaches the desired threshold. Turn the potentiometer clockwise to increase the threshold and advance the switch to night mode. Turn the potentiometer counterclockwise to decrease the threshold and delay the switch to night mode. The switch to night mode will activate the illuminators (sold separately).

De-icing

The product's automatic de-icing process starts when the air temperature is below 0 °C (32 °F) required that the product is switched on. The de-icing process ensures that the product works properly even at low temperatures. The de-icing period lasts 90 minutes and during this period both cameras are turned off.

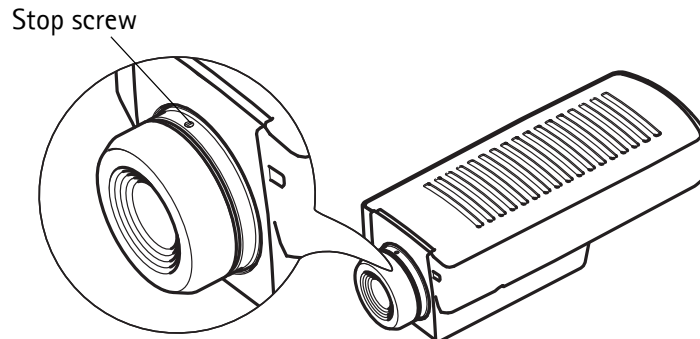
5 Access the Video Stream

Use the tools provided on the Installation and Management Software CD to assign an IP address, set the password and access the video stream. This information is also available from the support pages on www.axis.com/techsup

Focus Adjustment - AXIS Q1921/AXIS Q1922

If required, follow these instructions to focus the thermal network camera:

1. Unscrew the stop screw on the lens, using a slotted screwdriver 1.8 mm.



2. Focus the camera to the appropriate distance. See the table below for recommended focus distances for achieving optimal focus both for near focus and infinity.

Camera and lens	35 mm	60 mm
AXIS Q1921	22 m (72 ft.)	60 m (200 ft.)
AXIS Q1922	33 m (110 ft.)	90 m (300 ft.)

3. Secure the stop screw.

Note

The network camera has a lens with autofocus and cannot be adjusted manually.

Resetting to the Factory Default Settings

This will reset all parameters, including the IP address, to the Factory Default settings:

1. Disconnect power from the camera.
2. Press and hold the control button and reconnect power.
3. Keep the control button pressed until the status indicator displays amber (this may take up to 15 seconds).
4. Release the control button. When the status indicator displays green (which can take up to 1 minute) the process is complete and the camera has been reset.
5. Re-assign the IP address.

It is also possible to reset parameters to the original factory default settings via the web interface. For more information, please see the online help or the User Manual.

Troubleshooting

This table applies to the pan/tilt and illumination units only. For troubleshooting of the network cameras, see the respective User Manuals.

⚠ WARNING

Disconnect the mains supply before performing any kind of maintenance procedure.

The product is not running	Make sure all the connections are correct.
The product does not move	Make sure that the power supply cable is intact and connected correctly.
	The pan/tilt is disabled during the de-icing process, see <i>De-icing</i> , on page 17.
The product moves, but is unresponsive to commands	Check that the PTZ functionality is enabled, see <i>PTZ</i> , on page 17.
	Make sure that the RS-485 cable is intact and connected correctly.
The illuminators are not turning on when day changes into night.	Make sure all the connections are correct.
	Make sure the day/night sensor is positioned so it can track the changes in daylight.
	Adjust the potentiometer, see <i>Day/Night Sensor</i> , on page 17.

Technical Specifications

For technical specifications of the network cameras, see the respective User Manuals.

Function/group	Item	Specifications
Camera	Model	AXIS Q8721-E, includes AXIS Q1755 and AXIS Q1921 AXIS Q8722-E, includes AXIS Q1755 and AXIS Q1922
General	Pan/Tilt	Pan: 360° endless, 0.1° – 20°/s Tilt: +45° to -20°, 0.1° – 20°/s
	Protocol	Pelco D
	Preset accuracy	0.02°
	Casing	Aluminum casing, sunshield ABS PMMA IP66-rated Color: RAL 9002
	Power	24 V AC 50/60 Hz, 200 W provided by power supply (sold separately) 230/ 120 V AC 50/60 Hz with built-in day/night sensor
	Operating conditions	-30 °C to 45 °C (-22 °F to 113 °F) Humidity 10% – 100% RH (condensing)
	Approvals	EN 55022 Class A, EN 55024, EN 61000-6-1, EN 61000-6-2 FCC Part 15 Subpart B Class A demonstrated by compliance with EN 55022 ICES-003 Class A demonstrated by compliance with EN 55022 C-tick AS/NZS CISPR 22 demonstrated by compliance with EN 55022 EN 61000-3-2, EN 61000-3-3 EN 60950-1, EN 60950-22 IEC/EN 60529 IP66
	Weight	28.5 kg (63 lb.)
	Included accessories	Installation and Management Software CD Windows decoder 1-user license
	Required accessories	Power supply (230 V/120 V) with built-in day/night sensor (sold separately) Wall bracket or column bracket (sold separately)
Optional accessories	Corner mount and pole mount IR Illuminator Installation Display AXIS Camera Station and video management software from Axis' Application Development Partners	

Further Information

Visit www.axis.com/techsup to check if there is updated firmware available for your network product. To see the currently installed firmware version, see **Setup > About**.

Visit Axis learning center www.axis.com/academy for useful trainings, webinars, tutorials and guides.

Warranty

For information about Axis' product warranty and thereto related information, see www.axis.com/warranty

Mesures de sécurité

Lisez attentivement le présent Guide d'installation avant d'installer le produit Axis. Conservez le Guide d'installation pour une utilisation ultérieure.

⚠ ATTENTION

- Risque de pincement. Ne pas toucher le produit pendant le mouvement.

AVS

- Conservez le produit Axis dans un environnement sec et aéré.
- Évitez d'exposer le produit Axis aux vibrations, aux chocs ou à une forte pression. N'installez pas le produit sur un support instable, ou des surfaces ou des murs instables ou vibrants, car cela pourrait l'endommager.
- N'utilisez que les outils applicables pour installer le produit Axis ; une force excessive pourrait endommager le produit.
- Ne pas orienter l'objectif de la caméra thermique vers le soleil ou autre source de radiation haute intensité car cela pourrait endommager le capteur.
- Pour le nettoyage, n'utilisez ni produits chimiques, ni substances caustiques ou aérosols. Utilisez un chiffon humide pour le nettoyage.
- N'utilisez que des accessoires conformes aux caractéristiques techniques du produit. Ceux-ci peuvent être fournis par Axis ou par un fournisseur tiers.
- Utilisez uniquement des pièces de rechange fournies ou recommandées par Axis.
- Ne tentez pas de réparer le produit vous-même, contactez Axis ou votre revendeur Axis pour toute réparation.

Important

- Ce produit Axis doit être utilisé conformément aux lois et réglementations locales en vigueur.
- Ne pas installer la caméra près d'une source de chaleur car les variations de températures pourrait affecter la qualité de l'image thermique.
- Le produit Axis doit être installé par un professionnel qualifié. Veuillez vous conformer aux règlements nationaux et locaux relatifs à l'installation.

Transport

AVS

- Pour transporter le produit Axis et éviter de l'endommager, utilisez l'emballage d'origine ou un emballage équivalent.

Remplacement des piles

Ce produit Axis nécessite une pile au lithium CR2032 de 3,0 V pour l'alimentation de son horloge en temps réel interne. Dans des conditions normales d'utilisation, cette pile est censée durer au moins 5 ans. Si la pile est faible, le fonctionnement de l'horloge en temps réel peut être affecté et entraîner sa réinitialisation à chaque mise sous tension. Un message enregistré apparaît lorsque la pile doit être remplacée. Ne remplacez la pile qu'en cas de nécessité !

Si la pile doit être remplacée, veuillez contacter www.axis.com/techsup pour obtenir de l'aide.

⚠ AVERTISSEMENT

- Jetez les piles usagées conformément aux consignes du fabricant.

AVIS

- Le remplacement incorrect de la pile peut entraîner un risque d'explosion.
- Remplacez la pile par une pile identique ou équivalente uniquement, en respectant les recommandations du fabricant.

AXIS Q87-E Guide d'installation

Ce guide d'installation vous explique comment installer une double caméra réseau PTZ AXIS Q8721-E ou AXIS Q8722-E sur votre réseau. Pour tous les autres aspects liés à l'utilisation de ce produit, veuillez consulter le Manuel de l'utilisateur, disponible sur www.axis.com

Procédure d'installation

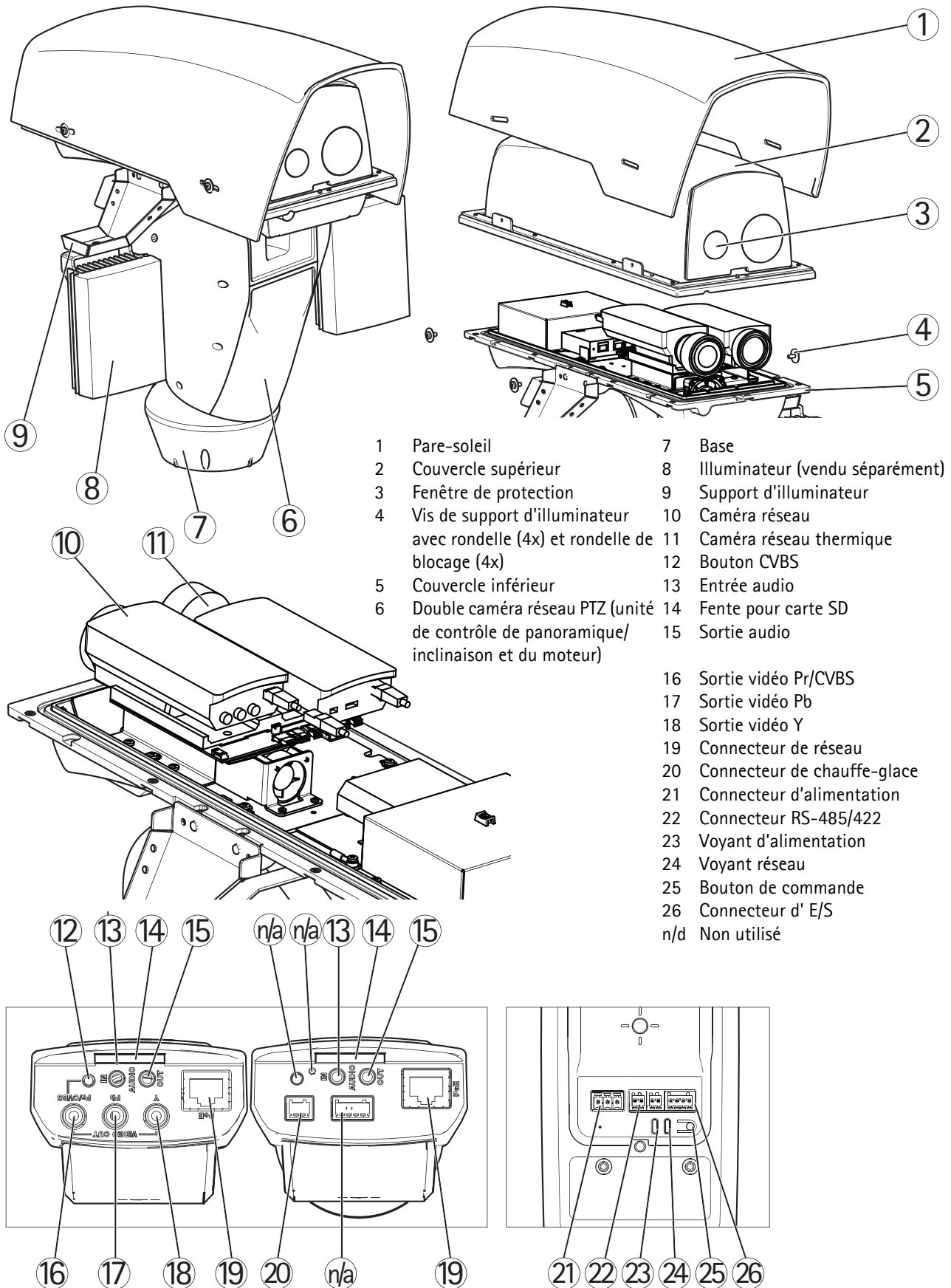
1. Vérification du contenu de l'emballage par rapport à la liste ci-dessous.
2. Aperçu du matériel. Voir page 25.
3. Installation du matériel.
 - Installez le bloc d'alimentation (vendu séparément), voir page 26.
 - Installez le support (vendu séparément), voir page 27.
 - Attachez la base sur le support, voir page 29.
 - Attachez la double caméra réseau PTZ Q87-E à la base, voir page 32.
 - Installez les illuminateurs (vendus séparément), voir page 35.
 - Installer les contrepoids, voir page 33.
4. Configuration. Voir page 36.
5. Accès au flux de données vidéo. Voir page 37.

1 Contenu de la boîte

Élément	Modèles/variantes/remarques
Double caméra réseau PTZ	AXIS Q8721-E, comprend l'AXIS Q1755 et l'AXIS Q1921 AXIS Q8722-E, comprend l'AXIS Q1755 et l'AXIS Q1922 Unité de contrôle de panorama/inclinaison et moteur Pare-soleil
Base	Base pour double caméra réseau PTZ
Contrepoids	Contrepoids pour équilibrer l'unité de contrôle de panorama/inclinaison (lorsque vous n'utilisez pas d'illuminateurs)
Accessoires de montage	Kit de montage du pare-soleil Kit de montage de la base
CD	CD d'installation et de logiciel de gestion
Documentations imprimés	AXIS Q87-E Guide d'installation (ce document) Document de garantie Axis Étiquettes de numéro de série supplémentaires (x2)
Accessoires nécessaires	Bloc d'alimentation (230 V/120 V CA) avec capteur jour/nuit intégré (vendu séparément) Support mural ou une colonne de support (vendu séparément)
Accessoires en option	Montage d'angle, montage sur mât Illuminateurs à infrarouge Moniteur d'installation AXIS Consultez le site www.axis.com pour plus d'informations sur les accessoires disponibles

Élément	Modèles/variantes/remarques
Outils nécessaires (non inclus)	Pince à sertir RJ45 Jeu de clés Allen Ensemble à cliquet Perceuse pour percer des trous dans la surface de montage Frein filet Loctite 243®

2 Aperçu du matériel



- | | | | |
|---|--|-----|---------------------------------|
| 1 | Pare-soleil | 7 | Base |
| 2 | Couvercle supérieur | 8 | Illuminateur (vendu séparément) |
| 3 | Fenêtre de protection | 9 | Support d'illuminateur |
| 4 | Vis de support d'illuminateur avec rondelle (4x) et rondelle de blocage (4x) | 10 | Caméra réseau |
| 5 | Couvercle inférieur | 11 | Caméra réseau thermique |
| 6 | Double caméra réseau PTZ (unité de contrôle de panoramique/inclinaison et du moteur) | 12 | Bouton CVBS |
| | | 13 | Entrée audio |
| | | 14 | Fente pour carte SD |
| | | 15 | Sortie audio |
| | | 16 | Sortie vidéo Pr/CVBS |
| | | 17 | Sortie vidéo Pb |
| | | 18 | Sortie vidéo Y |
| | | 19 | Connecteur de réseau |
| | | 20 | Connecteur de chauffe-glace |
| | | 21 | Connecteur d'alimentation |
| | | 22 | Connecteur RS-485/422 |
| | | 23 | Voyant d'alimentation |
| | | 24 | Voyant réseau |
| | | 25 | Bouton de commande |
| | | 26 | Connecteur d' E/S |
| | | n/d | Non utilisé |

FRANÇAIS

3 Installer le matériel

Pour plus d'informations sur les connecteurs des caméras, le comportements des LEDs, etc., voir les manuels d'utilisation respectifs.

Installez le bloc d'alimentation (vendu séparément)

⚠ AVERTISSEMENT

L'alimentation secteur doit être débranchée pendant l'installation.

AVS

Le bloc d'alimentation spécifié avec le produit doit être utilisé. L'utilisation de tout autre bloc d'alimentation annulera la garantie et pourrait exposer l'appareil à des risques.

⚠ AVERTISSEMENT

Le capteur jour/nuit est fixé au bloc d'alimentation (vendu séparément). Si vous utilisez le capteur jour/nuit, placez le bloc d'alimentation de sorte que le capteur puisse suivre les changements de lumière du jour.

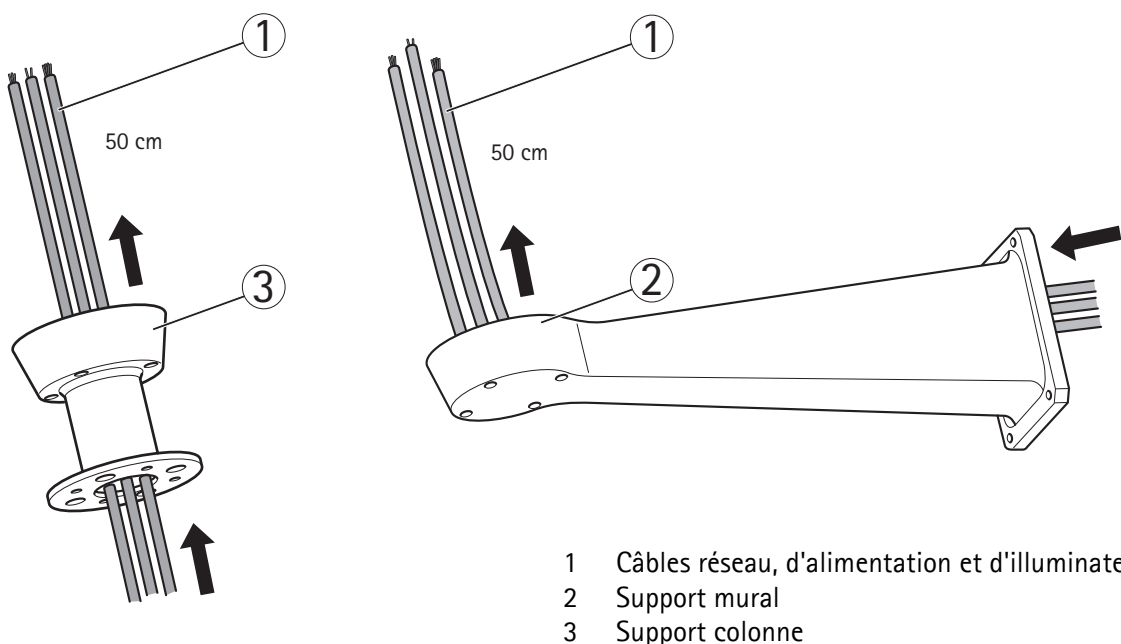
1. Installez le bloc d'alimentation selon les instructions fournies avec le bloc d'alimentation.

Installez le support (vendu séparément)

1. Préparez un mur, un parapet ou un mât pour l'installation du support sélectionné (vendu séparément). Consultez le site www.axis.com pour plus d'informations sur les accessoires de montage disponibles.
2. Acheminez les câbles de réseau, d'alimentation et, le cas échéant, d'illuminateur à travers le support. Laissez environ 50 cm (11.8") de câble pour la connexion à la base.

AVIS

En raison des réglementations locales ou des conditions environnementales et électriques dans lesquelles le produit est utilisé, un câble réseau blindé (STP) peut être approprié ou nécessaire. Les câbles réseau acheminés dans des environnements extérieurs ou similaires doivent être blindés (STP) et conçus pour cet usage spécifique. Assurez-vous que le commutateur réseau est convenablement mis à la terre. Voir *Electromagnetic Compatibility (EMC)* pour les exigences réglementaires.

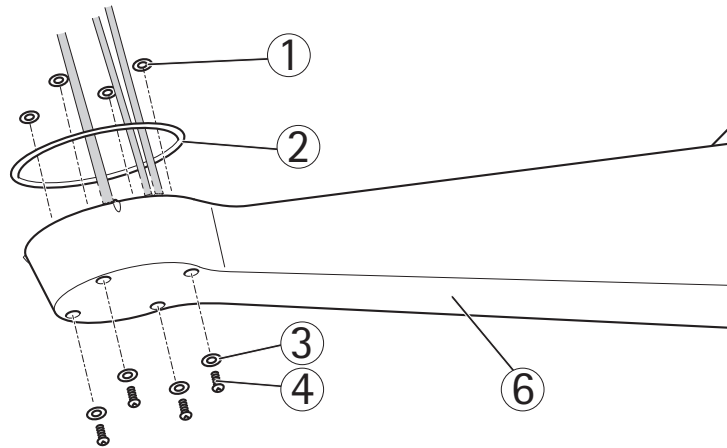
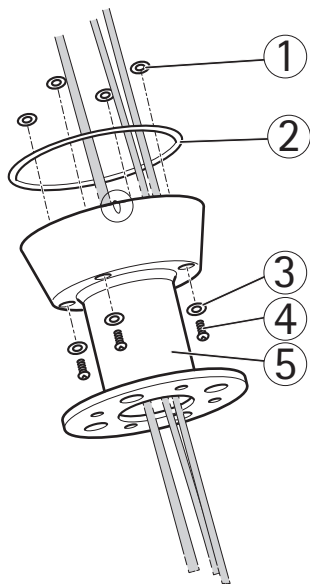


3. Installez le support sélectionné. Assurez-vous que les vis et les chevilles sont adaptées au matériau (bois, métal, placoplâtre, pierre). Assurez-vous que le support est bien fixé et que le matériau est suffisamment solide pour supporter un poids de 35 kg (77,2 lb.).

Important

- Assemblez le produit en position verticale. Ne pas installer le produit à l'envers.
- Lorsque vous fixez le support sur une surface en béton, utilisez les goujons avec un couple nominal de torsion de ≥ 300 dN.
- Lorsque vous fixez le support sur une surface métallique, utilisez des vis d'un diamètre d'au moins 8 mm.

- Montez les vis, les rondelles et les joints à vis.
- Placez le joint dans sa position.



- Joint à vis (4x)
- Joint
- Rondelle (4x)

- Vis (4x)
- Support colonne
- Support mural

Attachez la base sur le support

1. Retirez le sachet déshydratant, qui est placé dans la base.
2. Assurez-vous que le joint est en place.
3. Acheminez le câble de réseau, d'alimentation et, le cas échéant, d'illuminateurs, grâce à leurs presse-étoupes dans la base.

Important

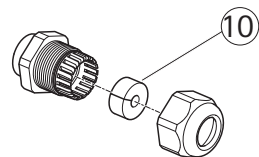
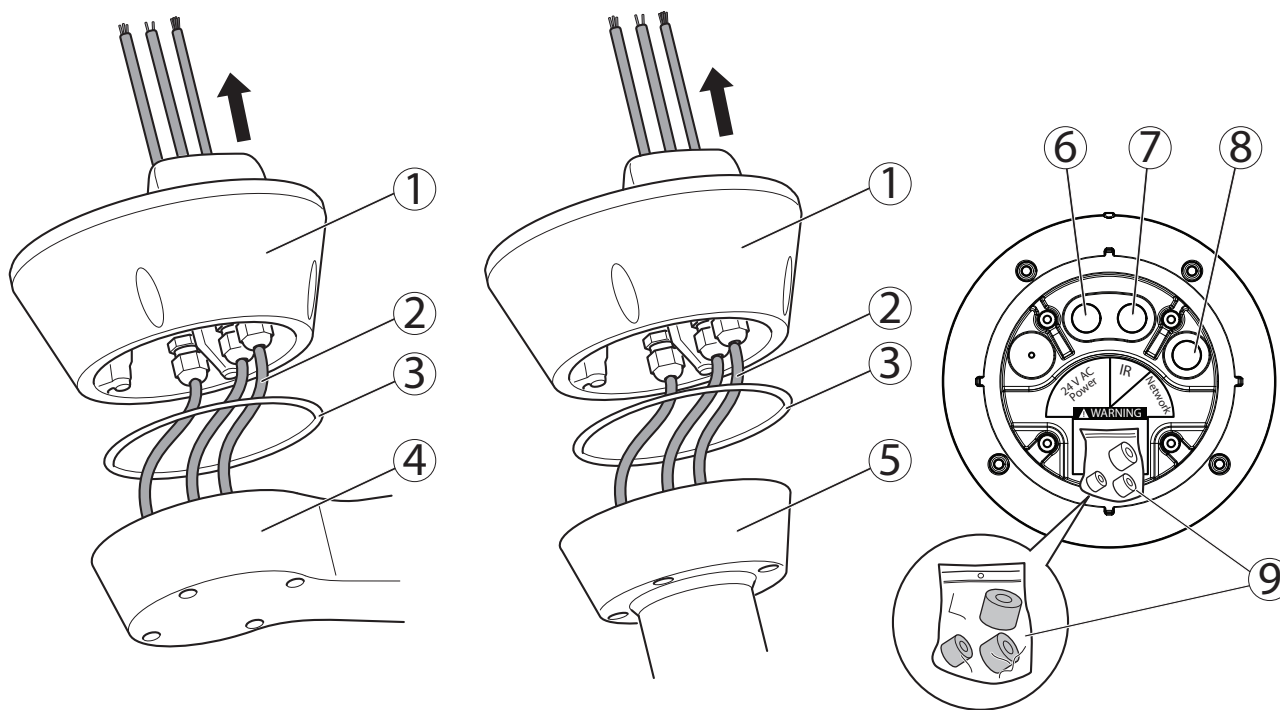
Le presse-étoupe pour le câble d'alimentation et le câble de l'illuminateur IR a un joint pré-monté adapté pour les câbles d'un diamètre de 5 mm - 10 mm. Pour les câbles de diamètre 3 mm - 7 mm, utiliser les joints de rechange fournis.

Le presse-étoupe pour le câble réseau a un joint pré-monté adapté pour les câbles d'un diamètre de 3 mm - 7 mm. Pour les câbles de diamètre 5 mm - 10 mm, utiliser les joints de rechange fournis.

4. Visser les bouchons de presse-étoupe fermement.

AVS

Il est important de serrer les bouchons de presse-étoupe afin de maintenir l'indice de protection IP des produits et de réduire la tension du câble.



- | | |
|---|--|
| <ol style="list-style-type: none"> 1 Base 2 Câbles réseau, d'alimentation et d'illuminateur 3 Joint 4 Support mural | <ol style="list-style-type: none"> 5 Support colonne 6 Câble d'alimentation (24 V CA) 7 Câble d'illuminateur 8 Câble réseau 9 Joints de rechange fournis 10. Joint |
|---|--|

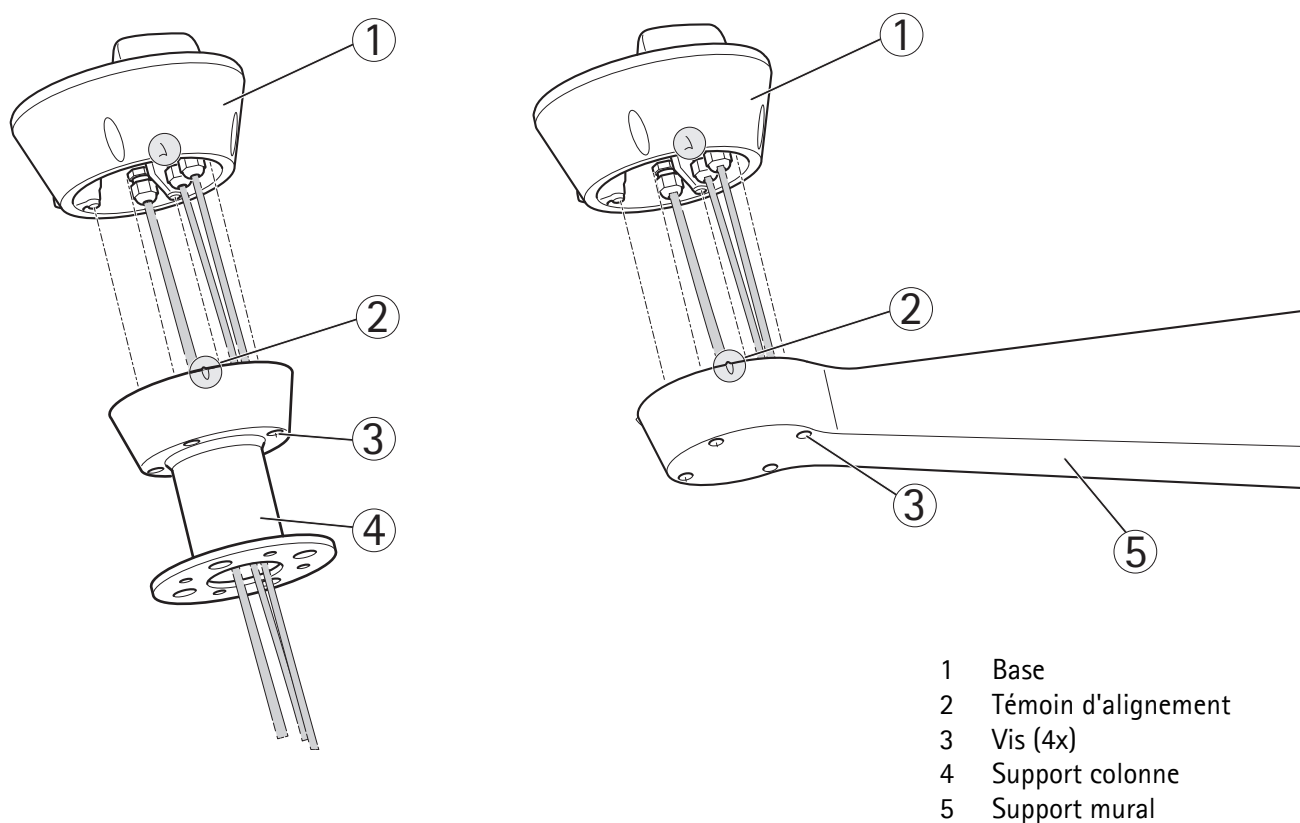
5. Fixez la base sur le support et serrez les vis (couple de 4 Nm).

AVS

Appliquez du frein filet Loctite 243® sur les vis.

Important

La base peut être fixée sur le support en quatre positions différentes. Utilisez les indicateurs d'alignement sur les différentes unités pour trouver une position appropriée qui permet d'accéder à la carte de configuration, qui peut être ouverte pour un accès facile au connecteur réseau; voir l'illustration à la page 31. Ceci est utile pour le dépannage ou pour connecter un Moniteur d'installation Axis. Les commutateurs DIP sont configurés avec le bon protocole PTZ dans l'usine et n'ont pas besoin d'être changés.

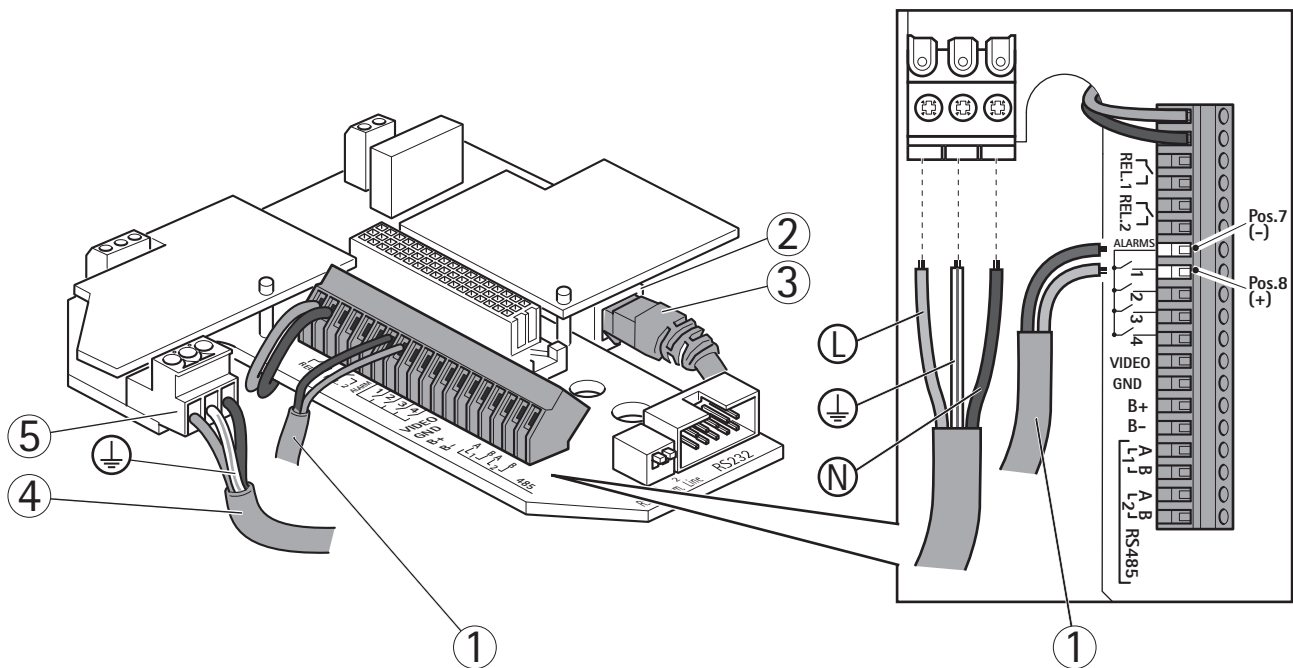


6. Le cas échéant, raccordez le câble d'illuminateur au connecteur (ALARMES et 1) sur la base.
7. En utilisant un outil de sertissage RJ45, dénudez et sertissez le câble réseau conformément aux instructions du fabricant.
8. Branchez le câble réseau sur le connecteur réseau situé sur la base.

AVIS

Le bloc d'alimentation spécifié avec le produit doit être utilisé. L'utilisation de tout autre bloc alimentation annulera la garantie et pourrait exposer l'appareil à des risques.

9. Branchez le câble d'alimentation 24 V CA au connecteur d'alimentation sur la base. Assurez-vous que le fil de terre vert/jaune est connecté à la broche du milieu. Pour faciliter l'installation, il est possible de retirer le connecteur de la carte et de le monter quand les câbles sont correctement connectés.



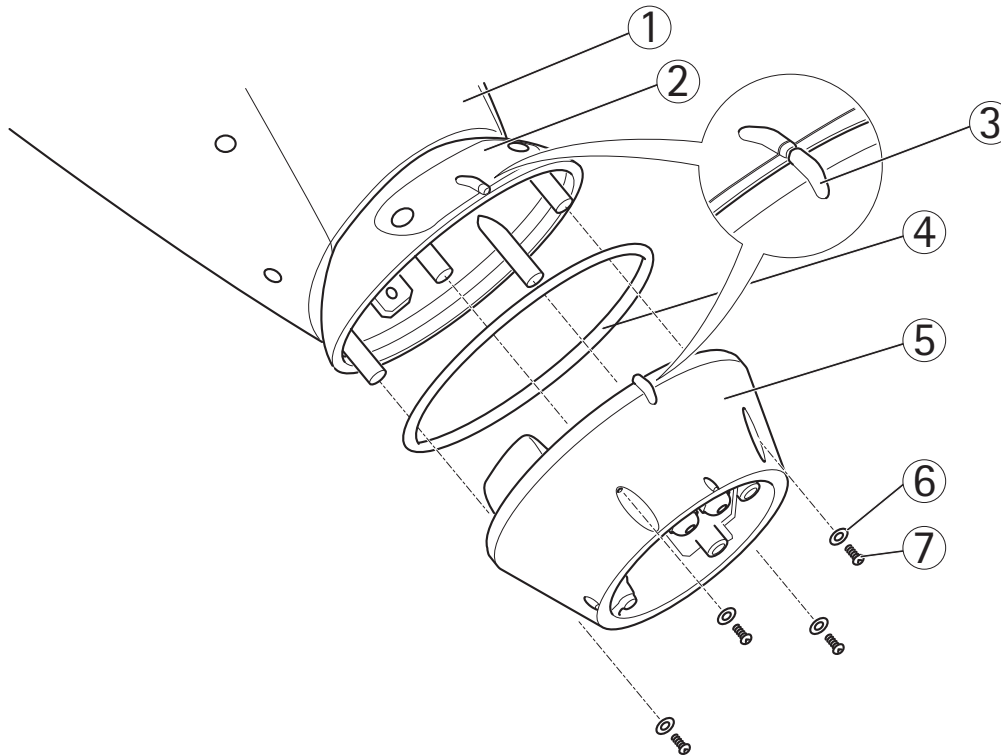
- | | | | |
|---|----------------------|---|---|
| 1 | Câble d'illuminateur | 4 | Câble d'alimentation (24 V CA, bleu - L, vert/jaune - \perp , marron - N) |
| 2 | Connecteur de réseau | 5 | Câble d'alimentation (24 V CA) |
| 3 | Câble réseau | | |

Attachez la double caméra réseau PTZ Q87-E à la base

1. Assurez-vous que le joint est en place.
2. Retirez le pare-soleil, qui est placé sur mais pas attaché, du capot supérieur.
3. Fixez l'unité de contrôle de panorama/inclinaison, le moteur et l'ensemble de caméras sur la base et serrez les vis (couple de 4 Nm).

AVIS

Utilisez les indicateurs d'alignement pour aligner les unités. Un alignement incorrect peut causer des dommages aux composants.



- | | | | |
|---|--|---|---------------|
| 1 | Contrôle de l'unité de panorama/
inclinaison et du moteur | 4 | Joint |
| 2 | Couvercle de la carte de configuration | 5 | Base |
| 3 | Témoins d'alignement | 6 | Rondelle (4x) |
| | | 7 | Vis (4x) |

4. Orientez la double caméra réseau PTZ vers le point d'intérêt et faites la mise au point de la caméra réseau thermique si nécessaire, voir *Réglage de la mise au point de l'AXIS Q1921/AXIS Q1922*, sur la page 37. Voir *Accès au flux de données vidéo*, sur la page 37 et le CD du logiciel d'installation et de gestion de l'information sur la façon de visualiser le flux vidéo.
5. Installez les contrepoids, voir *Installer les contrepoids*, sur la page 33 ou installez les illuminateurs sélectionnés (vendu séparément), voir page 35. Des illuminateurs LED infrarouge sont disponibles comme accessoires, visitez le site www.axis.com pour plus d'informations disponibles sur les illuminateurs.

AVIS

Soit des contrepoids soit des illuminateurs doivent être installés. Toute autre méthode d'installation annulera la garantie et pourrait exposer l'unité à des risques.

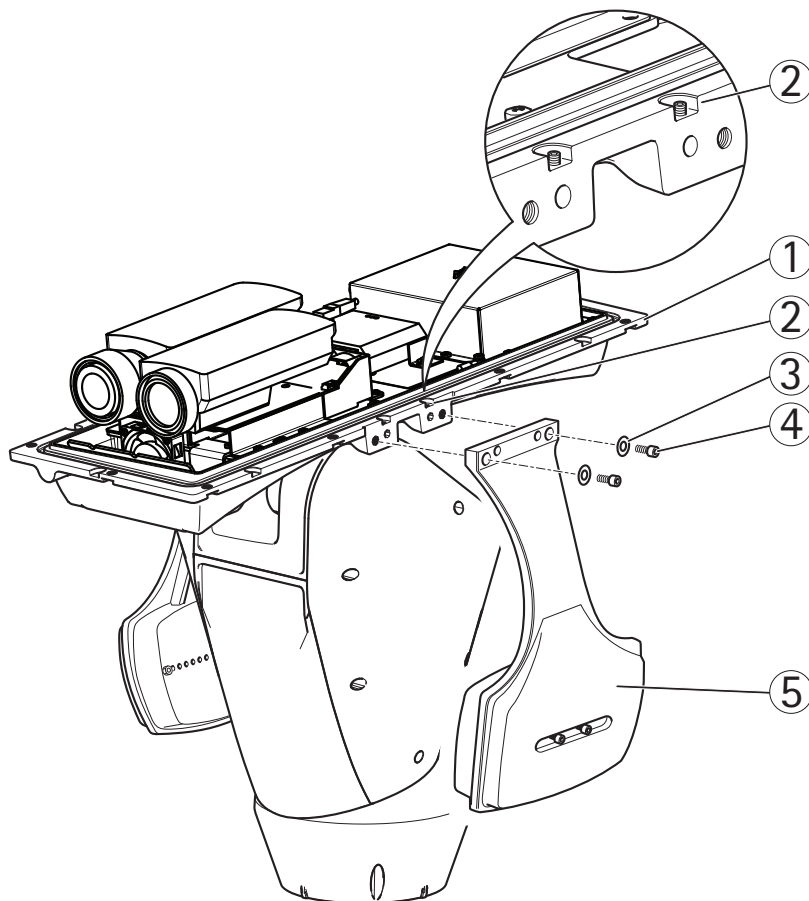
Installer les contrepoids

1. Dévissez les vis du couvercle inférieur et retirez le couvercle supérieur, voir l'illustration à la page 34.
2. Fixez les contrepoids sur le couvercle inférieur en utilisant les vis et rondelles fournies (couple 4 Nm).

AVS

Appliquez du frein filet Loctite 243® sur les vis.

3. Fixez les contrepoids à l'aide des vis sans tête fournies (couple 4 Nm).

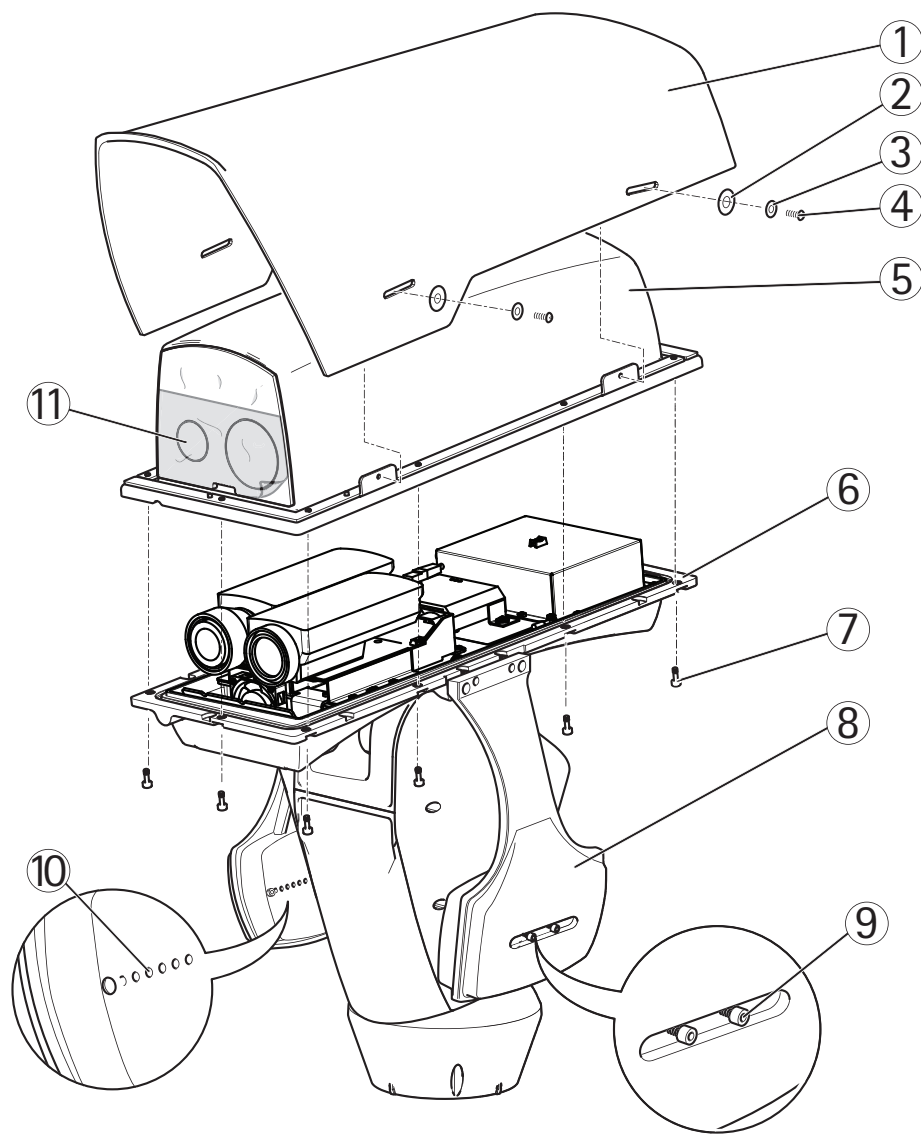


- 1 Couvercle inférieur
- 2 Vis sans tête (4x)
- 3 Rondelle (4x)
- 4 Vis (4x)
- 5 Contrepoids (2x)

4. Fixez le couvercle supérieur au couvercle inférieur. Assurez-vous de serrer diagonalement les vis opposées du couvercle inférieur de quelques tours à la fois jusqu'à ce que toutes soient bien serrées (couple 4 Nm). Cela permettra de garantir que le joint du couvercle inférieur est comprimé de façon régulière.
5. Fixez le pare-soleil sur le capot supérieur.
6. Desserrez les vis de fixation du contrepoids et ajustez la position des poids dans la position souhaitée. Les positions des poids doivent être identiques.

Note : L'unité panoramique/inclinaison doit rester équilibrée pour que la fonction panorama/inclinaison fonctionne correctement. Vérifiez l'équilibre en balançant légèrement le boîtier.

7. Retirez la protection en plastique de la fenêtre de protection.



- | | | | |
|---|--------------------------|----|----------------------------------|
| 1 | Pare-soleil | 7 | Vis du couvercle inférieur (10x) |
| 2 | Rondelle (4x) | 8 | Contrepoids |
| 3 | Rondelle de blocage (4x) | 9 | Vis de blocage du contrepoids |
| 4 | Vis du pare-soleil (4x) | 10 | Trous de positionnement |
| 5 | Couvercle supérieur | 11 | Protection plastique |
| 6 | Couvercle inférieur | | |

8. Branchez l'alimentation secteur. L'unité de contrôle panoramique/inclinaison commencera à tourner et les caméras se mettront en marche environ 30 secondes plus tard. Par temps froid, il pourrait y avoir un retard en raison du processus de dégivrage, voir *Capteur jour/nuit*, sur la page 36.

⚠ ATTENTION

Risque de pincement. Ne touchez pas le produit alors qu'il est en mouvement.

Installez les illuminateurs (vendus séparément)

Consultez le Guide d'installation fourni avec les illuminateurs pour obtenir des instructions sur la façon d'installer les illuminateurs (vendu séparément).

Vidéo composite (Option AXIS Q1755)

Pour plus d'informations sur comment brancher l'entrée/sortie vidéo composite, voir AXIS Q1755 le Manuel de l'utilisateur.

4 Configuration

Pour plus d'informations sur la façon d'attribuer une adresse IP et d'avoir accès au produit, voir *Accès au flux de données vidéo*, sur la page 37 et le CD d'installation et de gestion.

PTZ

La fonctionnalité PTZ est contrôlée par la caméra réseau. Les commandes PTZ seront disponibles à partir de la page d' image en direct dans les pages Web de la caméra réseau après l'activation de la fonctionnalité PTZ. Voir le Manuel d'utilisation, disponible à l'adresse www.axis.com

Capteur jour/nuit

Le capteur jour/nuit est fixé au bloc d'alimentation (vendu séparément).

Le produit est configuré en usine pour une performance optimale dans une gamme de conditions. Cependant, les paramètres peuvent être ajustés en fonction des conditions spécifiques sur site.

Pour régler la sensibilité du capteur jour/nuit, tournez le potentiomètre jusqu'à ce qu'il atteigne le seuil souhaité. Tournez le potentiomètre vers la droite pour augmenter le seuil et avancez l'interrupteur en mode nuit. Tournez le potentiomètre vers la gauche pour diminuer le seuil et retardez l' interrupteur en mode nuit. Le passage en mode nuit activera les illuminateurs (vendus séparément).

Dégivrage

Le processus de dégivrage automatique du produit commence lorsque la température de l'air est inférieure à 0 °C (32 °F) requérant que le produit soit sous tension. Le processus de dégivrage assure que le produit fonctionne correctement même à basses températures. La période de dégivrage dure 90 minutes et pendant cette période, les deux caméras sont éteintes.

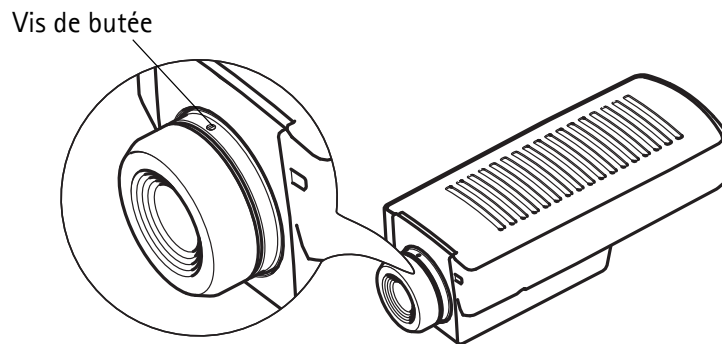
5 Accès au flux de données vidéo

Utilisez les outils fournis sur le CD d'installation et de logiciel de gestion pour attribuer une adresse IP, configurez le mot de passe et accédez au flux vidéo. Ces informations sont également disponibles sur les pages d'assistance technique de www.axis.com/techsup

Réglage de la mise au point de l'AXIS Q1921/AXIS Q1922

Si nécessaire, suivez les instructions suivantes pour la mise au point de la caméra réseau thermique :

1. Dévissez la vis de butée de la lentille à l'aide d'un tournevis à fente de 1,8 mm.



2. Procédez à la mise au point de la caméra pour la distance requise. Consultez le tableau ci-après pour les distances de mise au point recommandées, afin d'obtenir la mise au point optimale autant pour la mise au point approximative que pour la mise au point fixe.

Camera et objectif	35 mm	60 mm
AXIS Q1921	22 m (72 pi)	60 m (200 pi)
AXIS Q1922	33 m (110 pi)	90 m (300 pi)

3. Fixez la vis de butée.

Note

La caméra réseau a une lentille avec une mise au point automatique et ne peut pas être réglée manuellement.

Rétablissement des paramètres d'usine par défaut

Procédez comme suit pour rétablir tous les paramètres d'usine par défaut, y compris l'adresse IP :

1. Mettez la caméra hors tension.
2. Maintenez le bouton de commande enfoncé et remettez la caméra sous tension.
3. Appuyez sur le bouton de commande jusqu'à ce que l'indicateur d'état passe à l'orange (cela peut prendre jusqu'à 15 secondes).
4. Relâchez le bouton de commande. Lorsque le voyant d'état émet une lumière verte (ce qui peut prendre jusqu'à 1 minute), les paramètres par défaut de la caméra ont été rétablis.
5. Attribuez à nouveau l'adresse IP.

Il est également possible de rétablir les paramètres d'origine usine par défaut à partir de l'interface Web. Pour plus d'informations, reportez-vous à l'aide en ligne ou au manuel de l'utilisateur.

Dépannage

Ce tableau s'applique aux unités de panoramique/inclinaison et d'appareils d'illumination seulement. Pour le dépannage des caméras réseau, consultez les Manuels d'utilisation respectifs.

⚠ AVERTISSEMENT

Débranchez l'alimentation secteur avant d'effectuer tout type de procédure de maintenance.

Le produit ne fonctionne pas	Assurez-vous que toutes les connexions sont correctes.
Le produit ne bouge pas	Assurez-vous que le câble d'alimentation est intact et correctement connecté.
	Le panorama/inclinaison est désactivé pendant le processus de dégivrage, voir <i>Dégivrage</i> , sur la page 36.
Le produit se déplace, mais ne répond plus aux commandes	Vérifiez que la fonction PTZ est activée, voir <i>PTZ</i> , sur la page 36.
	Assurez-vous que le câble RS-485 est intact et correctement connecté.
Les illuminateurs ne s'allument pas lorsqu'on passe du jour à la nuit.	Assurez-vous que toutes les connexions sont correctes.
	Assurez-vous que le capteur jour/nuit est positionné de sorte qu'il peut suivre les changements de la lumière du jour.
	Réglez le potentiomètre, voir <i>Capteur jour/nuit</i> , sur la page 36.

Caractéristiques techniques

Pour les spécifications techniques des caméras sur IP, consultez les manuels d'utilisation respectifs.

Fonction/groupe	Élément	Caractéristiques
Caméra	Modèle	AXIS Q8721-E, inclus AXIS Q1755 et AXIS Q1921 AXIS Q8722-E, inclus AXIS Q1755 et AXIS Q1922
Général	Panoramique/ inclinaison	Panoramique : 360° infini, 0,1° - 20°/s Inclinaison : +45° à -20°, 0.1° à 20°/s
	Protocole	Pelco D
	Précision prédéfinie	0,02°
	Boîtier	Boîtier en aluminium, pare-soleil ABS PMMA Certifié IP66 Couleur : Ral 9002
	Voyant d'alimentation	24 V CA 50/60 Hz, 200 W fourni par le bloc d'alimentation (vendu séparément) 230/120 V CA 50/60 Hz avec capteur jour/nuit intégré
	Conditions d'utilisation	de -30 °C à 45 °C (de -22 °F à 113 °F) Humidité 10% à 100% HR (avec condensation)
	Agréments	EN 55022 Class A, EN 55024, EN 61000-6-1, EN 61000-6-2 FCC Partie 15 Sous-partie B Classe A démontrée par la conformité aux normes EN 55022 ICES-003 Class A démontrée par la conformité à la norme EN 55022 C-tick AS/NZS CISPR 22 démontrée par la conformité à la norme EN 55022 EN 61000-3-2, EN 61000-3-3 EN 60950-1, EN 60950-22 IEC/EN 60529 IP66
	Poids	28,5 kg (63 lb.)
	Accessoires inclus	CD d'installation et de logiciel de gestion Décodeur Windows licence pour 1 utilisateur
	Accessoires nécessaires	Bloc d'alimentation (230 V/120 V CA) avec capteur jour/nuit intégré (vendu séparément) Support mural ou une colonne de support (vendu séparément)
Accessoires en option	Montage en angle et sur mât Illumination IR Moniteur d'installation AXIS Camera Station et le logiciel de gestion vidéo des partenaires de développement d'applications Axis.	

Pour obtenir plus de renseignements

Consultez le site www.axis.com/techsup pour vérifier si des mises à jour des logiciels sont disponibles pour votre caméra Axis. Pour voir la version du logiciel actuellement installée, voir **Configuration > À propos**.

Visitez le centre d'apprentissage en ligne d'Axis sur le site www.axis.com/academy pour en savoir plus sur les formations, les webinaires, les tutoriels et les guides.

Garantie

Pour plus d'informations sur la garantie des produits Axis et des informations générales relatives à celle-ci merci de consulter le site www.axis.com/warranty

Sicherheitsvorkehrungen

Bitte lesen Sie diese Installationsanleitung sorgfältig durch, bevor Sie mit der Installation des Axis Produkts beginnen. Halten Sie die Installationsanleitung bereit, falls Sie darauf zurückgreifen müssen.

⚠ VORSICHT

Quetschgefahr. Bitte berühren Sie das Produkt nicht, während es bewegt wird.

HINWEIS

- Lagern Sie das Axis-Produkt in einer trockenen und belüfteten Umgebung.
- Setzen Sie das Axis Produkt keinen Vibrationen, Erschütterungen oder starkem Druck aus. Installieren Sie das Produkt nicht an instabilen Halterungen oder instabilen oder vibrierenden Oberflächen oder Mauern, da dadurch das Produkt beschädigt werden könnte.
- Verwenden Sie bei der Installation des Axis Produkts nur geeignetes Werkzeug; zu hoher Kraftaufwand kann das Produkt beschädigen.
- Richten Sie die Linse der Thermalkamera nicht auf die Sonne oder andere Strahlungsquellen mit hoher Intensität aus, da dies den Sensor beschädigen kann.
- Verwenden Sie keine chemischen, ätzenden oder aerosolhaltigen Reinigungsmittel. Verwenden Sie zur Reinigung ein feuchtes Tuch.
- Verwenden Sie nur Zubehör, das den technischen Spezifikationen des Produkts entspricht. Dieses ist von Axis oder Drittanbietern erhältlich.
- Verwenden Sie nur Ersatzteile, die von Axis empfohlen bzw. bereitgestellt wurden.
- Versuchen Sie nicht, das Produkt selbst zu reparieren. Wenden Sie sich bei Service-Angelegenheiten an Axis oder an Ihren Axis-Händler.

Wichtig

- Verwenden Sie dieses Axis-Produkt unter Beachtung der vor Ort geltenden rechtlichen Bestimmungen.
- Installieren Sie die Kamera nicht in der Nähe von Wärmequellen, da schwankende Temperaturen die Bildqualität der Thermalkamera beeinflussen können.
- Das Axis Produkt sollte nur von geschultem Fachpersonal installiert werden. Beachten Sie bei der Montage die geltenden nationalen und lokalen Bestimmungen.

Transport

HINWEIS

- Transportieren Sie das Axis-Produkt nur in der Originalverpackung bzw. in einer vergleichbaren Verpackung, damit das Produkt nicht beschädigt wird.

Batteriewechsel

Dieses Axis-Produkt ist mit einer 3,0 V CR2032 Lithium-Batterie als Stromversorgung für die interne Echtzeituhr (RTC) ausgestattet. Unter normalen Bedingungen hält die Batterie mindestens 5 Jahre. Bei entladener Batterie ist der Betrieb der Echtzeituhr nicht mehr ausreichend gewährleistet, so dass die Uhr bei jedem Systemstart zurückgesetzt wird. Sie erhalten eine Protokollnachricht, wenn ein Batteriewechsel erforderlich ist. Die Batterie sollte erst bei Bedarf gewechselt werden.

Unter www.axis.com/techsup finden Sie Informationen darüber, was Sie beim Austausch der Batterie beachten müssen.

⚠️ WARNUNG

- Verbrauchte Batterien sind gemäß den Herstelleranweisungen zu entsorgen.

HINWEIS

- Explosionsgefahr bei fehlerhaftem Batteriewechsel!
- Die Batterie muss durch dasselbe oder ein gleichwertiges Fabrikat ersetzt werden, das vom Hersteller zugelassen ist.

AXIS Q87-E Installationsanleitung

In dieser Anleitung wird die Installation der AXIS Q8721-E Dual PTZ Netzwerk-Kamera oder der AXIS Q8722-E Dual PTZ Netzwerk-Kamera in einem Netzwerk beschrieben. Alle weiteren Aspekte zur Verwendung des Produkts finden Sie im Benutzerhandbuch, das Sie unter www.axis.com abrufen können.

Installationsschritte

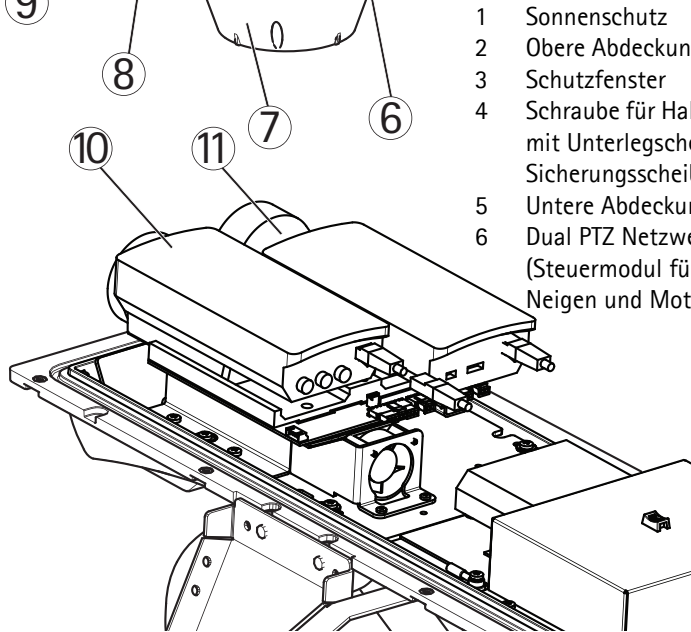
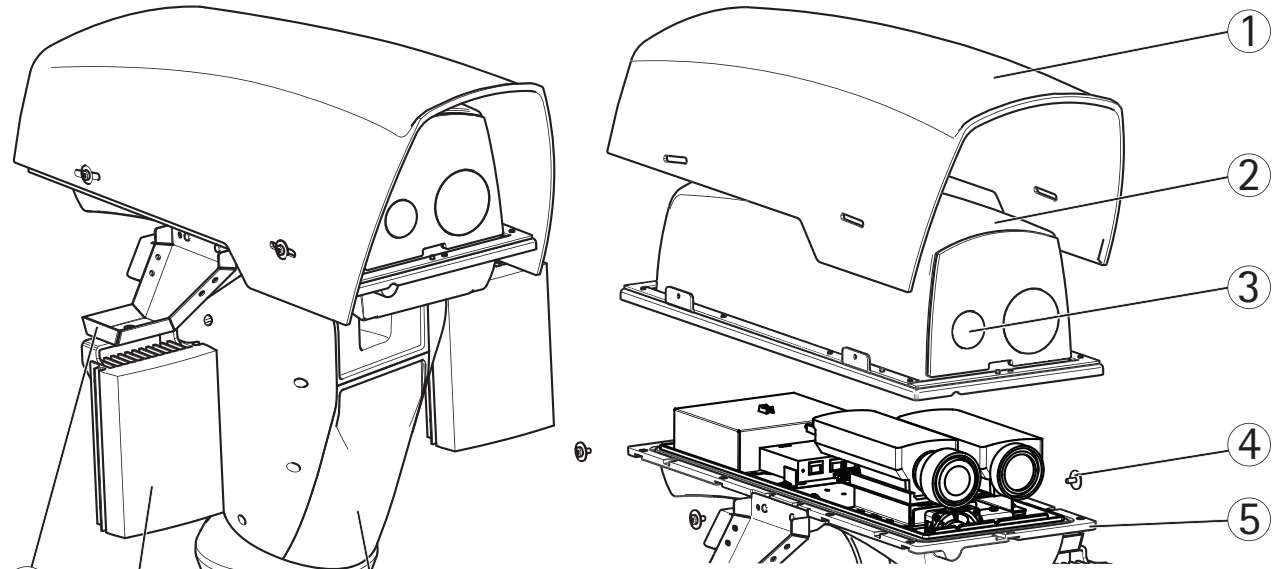
1. Prüfen Sie den Packungsinhalt anhand der nachfolgenden Liste.
2. Übersicht über die Hardware. Siehe Seite 45.
3. Installieren Sie die Hardware.
 - Installation des Netzteils (separat erhältlich), siehe Seite 46.
 - Installation der Halterung (separat erhältlich), siehe Seite 47.
 - Befestigen des Fußes an der Halterung, siehe Seite 49.
 - Befestigen der AXIS Q87-E Dual PTZ Netzwerk-Kamera am Fuß, siehe Seite 52.
 - Installation der Strahler (separat erhältlich), siehe Seite 56.
 - Installieren der Gegengewichte, siehe Seite 53.
4. Konfiguration. Siehe Seite 57.
5. Zugriff auf den Videostrom. Siehe Seite 58.

1 Inhalt der Packung

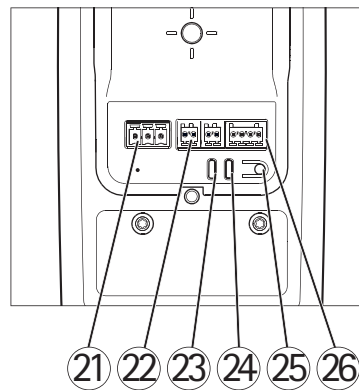
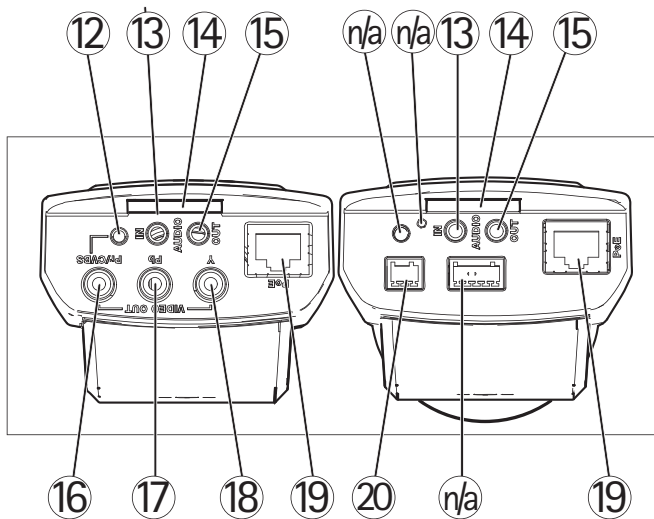
Artikel	Modelle/Varianten/Hinweise
Dual PTZ Netzwerk-Kamera	AXIS Q8721-E, enthält AXIS Q1755 und AXIS Q1921 AXIS Q8722-E, enthält AXIS Q1755 und AXIS Q1922 Steuermodul für Schwenken/Neigen und Motor Sonnenschutz
Fuß	Fuß für Dual PTZ Netzwerk-Kamera
Gegengewichte	Gegengewichte für das Ausbalancieren des Steuermoduls für Schwenken/Neigen (wenn keine Strahler verwendet werden)
Montagezubehör	Montagesatz für Sonnenschutz Montagesatz für Fuß
CD-ROM	Installations- und Management-Software CD-ROM
Gedruckte Dokumente	AXIS Q87-E Installationsanleitung (dieses Dokument) Axis-Garantieerklärung Zusätzliche Seriennummer-Etiketten (2x)
Erforderliches Zubehör	Netzteil (230 V/120 V) mit integriertem Tag-Nacht-Sensor (separat erhältlich) Wandhalterung oder Halterung für Säulenmontage (separat erhältlich)
Optionales Zubehör	Eckmontage, Hochständermontage IR Strahler Axis Installationsmonitor Unter www.axis.com finden Sie Informationen zum verfügbaren Zubehör.

Artikel	Modelle/Varianten/Hinweise
Erforderliche, nicht enthaltene Werkzeuge	RJ45 Crimp-Werkzeug Inbusschlüsselsatz Ratschensatz Bohrer zum Bohren von Löchern in die Montagefläche Loctite 243® Gewindekleber

2 Übersicht über die Hardware



- | | | | |
|---|---|----|-------------------------------|
| 1 | Sonnenschutz | 7 | Fuß |
| 2 | Obere Abdeckung | 8 | Strahler (separat erhältlich) |
| 3 | Schutzfenster | 9 | Halterung für Strahler |
| 4 | Schraube für Halterung für Strahler mit Unterlegscheiben (4x) und Sicherungsscheiben (4x) | 10 | Netzwerk-Kamera |
| 5 | Untere Abdeckung | 11 | Wärmebild-Netzwerk-Kamera |
| 6 | Dual PTZ Netzwerk-Kamera (Steuermodul für Schwenken/Neigen und Motor) | 12 | CVBS-Taste |



- | | |
|-----|-------------------------------|
| 16 | Video-Ausgang Pr/CVBS |
| 17 | Video-Ausgang Pb |
| 18 | Video-Ausgang Y |
| 19 | Netzwerkanschluss |
| 20 | Anschluss für Scheibenheizung |
| 21 | Netzanschluss |
| 22 | RS-485/422-Anschluss |
| 23 | Netz-LED |
| 24 | Netzwerk-LED |
| 25 | Steuertaste |
| 26 | E/A-Anschluss |
| n/a | Nicht verwendet |

3 Installieren der Hardware

Hinweise zu den Anschlüssen der Kamera, der Bedeutung der LED-Farben und des Leuchtverhaltens finden Sie im jeweiligen Benutzerhandbuch.

Installation des Netzteils (separat erhältlich)

⚠ WARNUNG

Die Stromversorgung muss während der Installation unterbrochen sein.

HINWEIS

Das in der Produktdokumentation angegebene Netzteil ist zu verwenden. Wenn Sie ein anderes Netzteil verwenden, erlischt die Garantie und der sichere Betrieb des Geräts ist nicht gewährleistet.

Wichtig

Der Tag-Nacht-Sensor ist am Netzteil (separat erhältlich) befestigt. Bei Verwendung des Tag-Nacht-Sensors ist das Netzteil so zu platzieren, dass der Sensor die Änderungen am Tageslicht wahrnehmen kann.

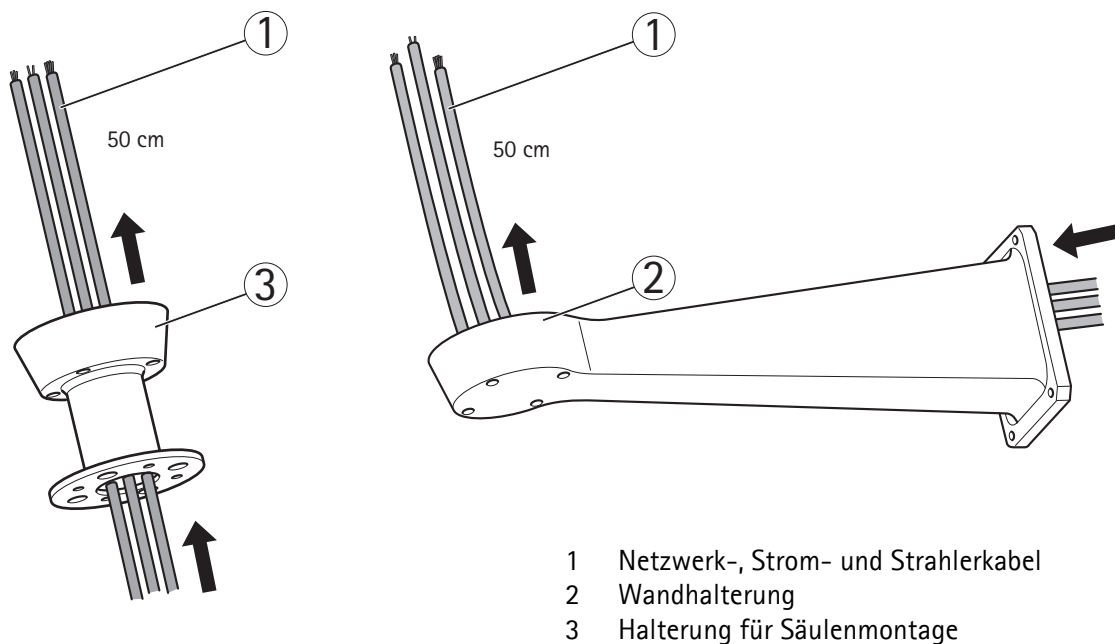
1. Installieren Sie das Netzteil entsprechend der mit dem Netzteil gelieferten Anleitung.

Installation der Halterung (separat erhältlich)

1. Bereiten Sie eine Wand, eine Brüstung oder einen Hochständer für die Installation der ausgewählten Halterung (separat erhältlich) vor. Unter „www.axis.com“ finden Sie Informationen über verfügbares Montagezubehör.
2. Führen Sie das Netzwerk-, das Strom- und, sofern vorhanden, das Strahlerkabel durch die Halterung. Sie benötigen noch etwa 50 cm Kabel für den Anschluss an den Fuß.

HINWEIS

Aufgrund örtlicher Vorschriften oder umweltbedingter und elektrischer Umstände, unter denen das Produkt verwendet wird, wird ein abgeschirmtes Netzkabel (STP) empfohlen bzw. ist sogar notwendig. Netzkabel, die in Außenumgebungen oder ähnlich geführt werden, müssen abgeschirmt (STP) und für diesen Zweck vorgesehen sein. Stellen Sie sicher, dass der Netzschalter vorschriftsmäßig geerdet ist. Beachten Sie die behördlichen Bestimmungen in *Electromagnetic Compatibility (EMC)*.

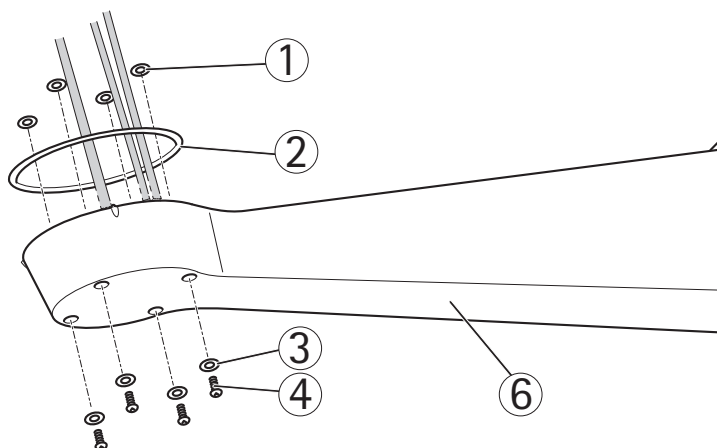
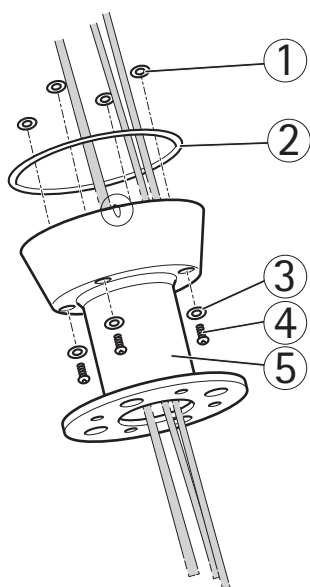


3. Installieren Sie die ausgewählte Halterung. Die Schrauben und Dübel müssen für das Material, auf dem installiert wird (beispielsweise Holz, Metall, Rigips) geeignet sein. Die Halterung muss ordnungsgemäß befestigt werden und das Material muss stabil genug für ein Gewicht von 35 kg sein.

Wichtig

- Bauen Sie das Produkt in aufrechter Position zusammen, nicht anders herum.
- Beim Anbringen der Halterung auf Beton sind Stifte mit einem Zugmoment von ≥ 300 dN zu verwenden.
- Beim Anbringen der Halterung auf Metall sind Schrauben mit einem Durchmesser von mindestens 8 mm zu verwenden.

4. Setzen Sie die Unterleg- und die Sicherungsscheiben auf die Schrauben.
5. Bringen Sie die Abdichtung in die richtige Position.



- | | | | |
|---|----------------------|---|-----------------------------|
| 1 | Sicherungsring (4x) | 4 | Schraube (4x) |
| 2 | Abdichtung | 5 | Halterung für Säulenmontage |
| 3 | Unterlegscheibe (4x) | 6 | Wandhalterung |

Befestigen des Fußes an der Halterung

1. Nehmen Sie den Antikondensationsbeutel aus dem Fuß.
2. Sehen Sie nach, ob sich die Abdichtung in der richtigen Position befindet.
3. Führen Sie das Netzwerk-, das Strom- und, sofern vorhanden, das Strahlerkabel durch die entsprechende Kabelverschraubung am Fuß.

Wichtig

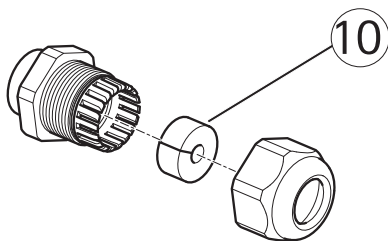
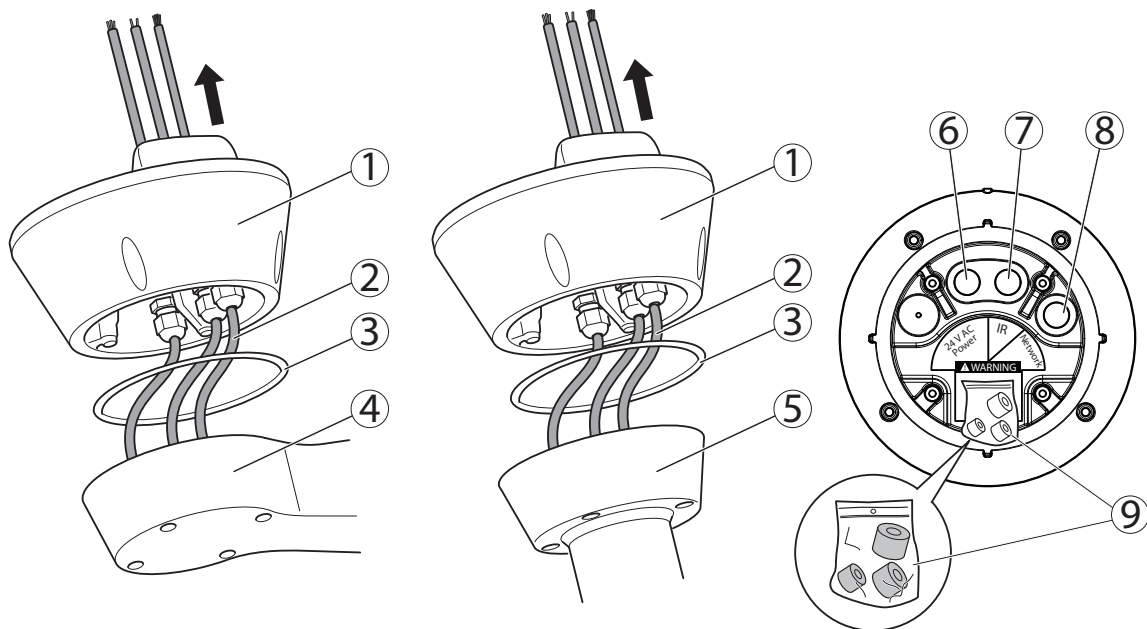
Die Kabelverschraubungen für die Stromversorgung und den IR-Strahler haben eine vorinstallierte Kabeldurchführung, die für Kabel mit einem Durchmesser von 5 mm bis 10 mm geeignet ist. Für Kabel mit einem Durchmesser von 3 mm bis 7 mm sind die mitgelieferten Ersatzdichtungen zu verwenden.

Die Kabelverschraubung für das Netzkabel hat eine vorinstallierte Kabeldurchführung, die für Kabel mit einem Durchmesser von 3 mm bis 7 mm geeignet ist. Für Kabel mit einem Durchmesser von 5 mm bis 10 mm sind die mitgelieferten Ersatzdichtungen zu verwenden.

4. Ziehen Sie die Kappen der Kabelverschraubungen fest.

HINWEIS

Um die IP-Klassifizierung des Produktes sicherzustellen und um Belastungen des Kabels zu reduzieren, stellen Sie sicher, dass Sie die Kabelverschraubungen fest anziehen.



- | | |
|---------------------------------------|-----------------------------------|
| 1 Fuß | 5 Halterung für Säulenmontage |
| 2 Netzwerk-, Strom- und Strahlerkabel | 6 Stromkabel (24 V AC) |
| 3 Abdichtung | 7 Kabel für Strahler |
| 4 Wandhalterung | 8 Netzkabel |
| | 9. Mitgelieferte Ersatzdichtungen |
| | 10. Dichtung |

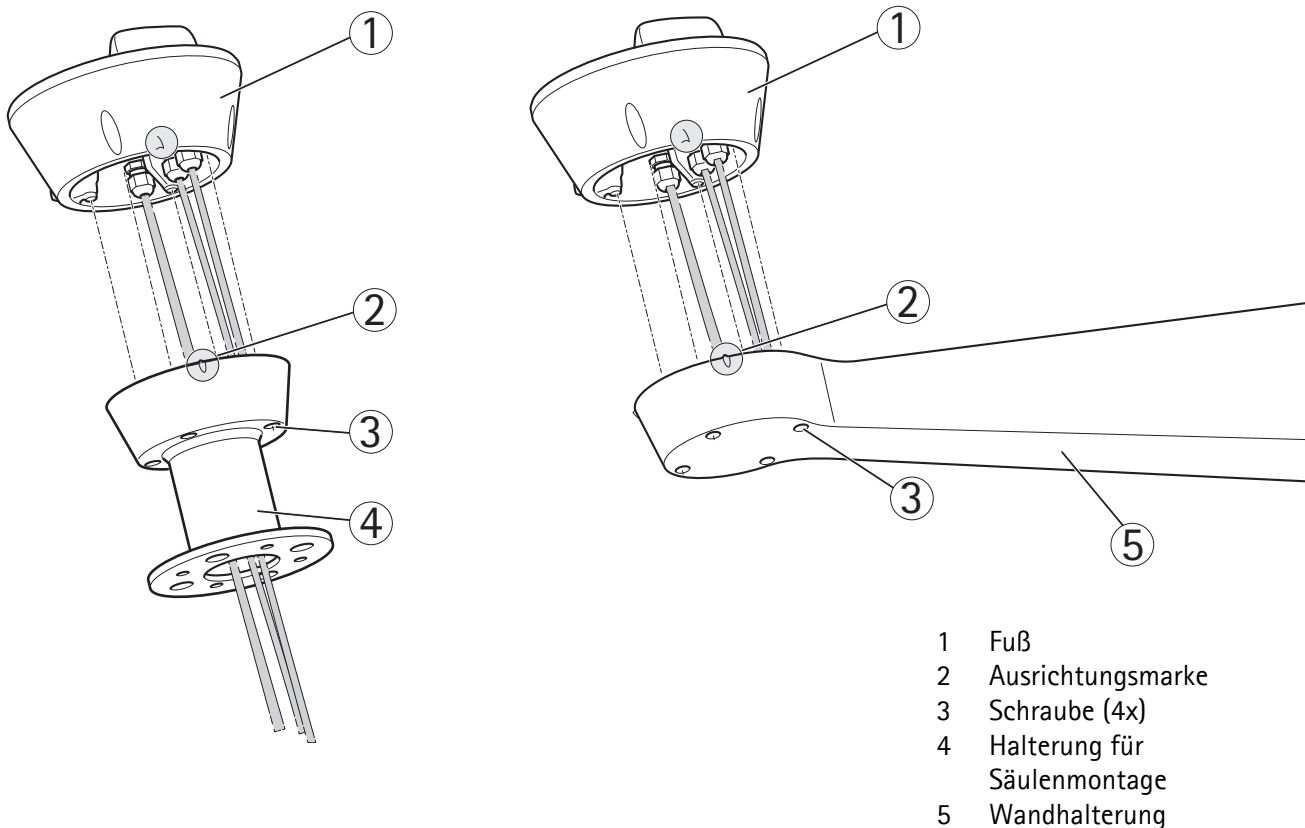
5. Befestigen Sie den Fuß an der Halterung und ziehen Sie die Schrauben fest (Zugmoment 4 Nm).

HINWEIS

Tragen Sie Loctite 243® Gewindekleber auf die Schrauben auf.

Wichtig

Der Fuß kann in vier verschiedenen Positionen an der Halterung angebracht werden. Ermitteln Sie mithilfe der Ausrichtungsmarken an den einzelnen Komponenten eine geeignete Position, die den Zugang zum Konfigurationsring ermöglicht (dieser kann zwecks Erleichterung des Zugangs zum Netzwerkanschluss geöffnet werden, s. Abb. auf Seite 51). Dies ist nützlich für die Beseitigung von Problemen oder zum Anschließen eines Axis Installationsmonitors. Die DIP-Schalter wurden werkseitig mit dem richtigen PTZ-Protokoll konfiguriert; hier sind keine Änderungen erforderlich.

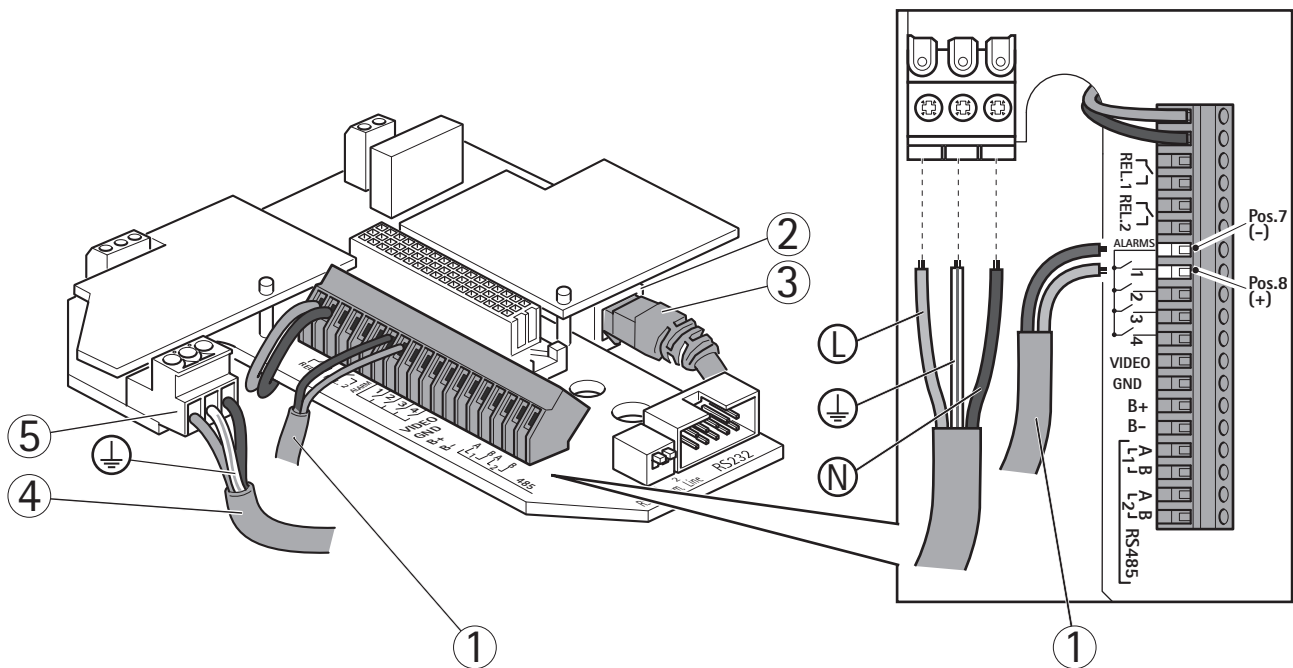


6. Schließen Sie das Strahlerkabel (falls vorhanden) an den Anschluss (ALARMS und 1) am Fuß an.
7. Manteln Sie das Netzkabel ab und crimpen Sie es gemäß den Anweisungen des Herstellers mit einem RJ45 Crimp-Werkzeug.
8. Verbinden Sie das Netzkabel mit dem Netzwerkanschluss am Fuß.

HINWEIS

Das in der Produktdokumentation angegebene Netzteil ist zu verwenden. Wenn Sie ein anderes Netzteil verwenden, erlischt die Garantie und der sichere Betrieb des Geräts ist nicht gewährleistet.

9. Verbinden Sie das 24 V AC-Kabel mit dem Netzanschluss am Fuß. Sehen Sie nach, ob der grünelbe Erdungsdraht an den mittleren Pol angeschlossen ist. Zur Vereinfachung der Installation kann der Anschluss von der Platine abgezogen und nach dem ordnungsgemäßen Anschluss der Kabel wieder aufgesteckt werden.



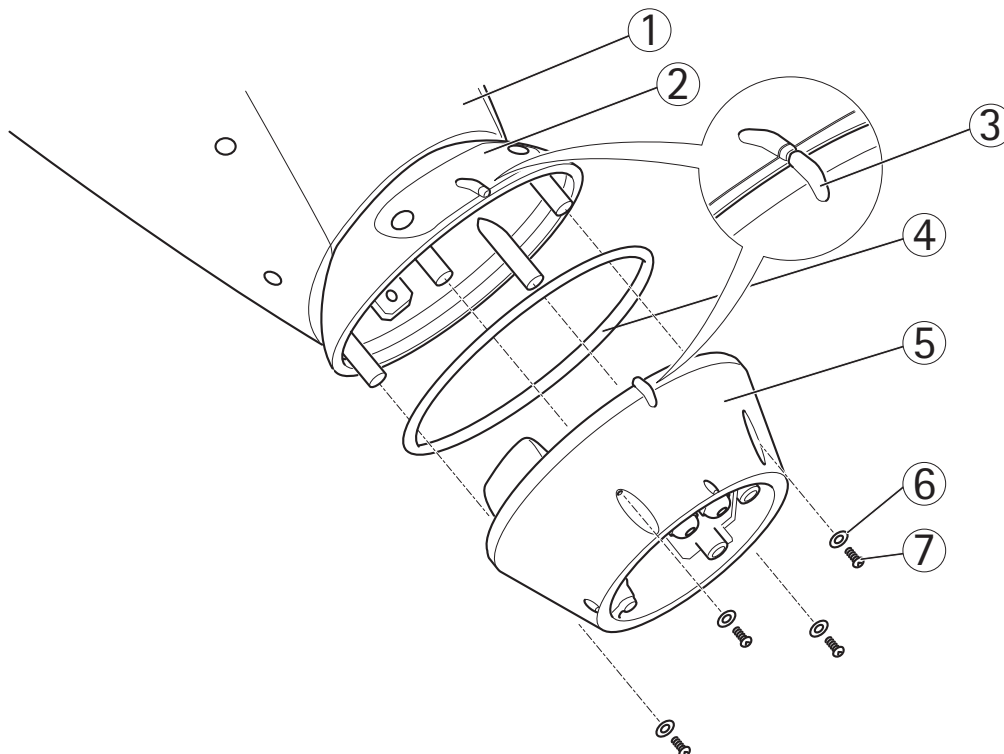
- | | | | |
|---|--------------------|---|---|
| 1 | Kabel für Strahler | 4 | Stromkabel (24 V AC, blau - L, grünelb - \perp , braun - N) |
| 2 | Netzwerkanschluss | 5 | Netzanschluss (24 V AC) |
| 3 | Netzwerkabel | | |

Befestigen der AXIS Q87-E Dual PTZ Netzwerk-Kamera am Fuß

1. Sehen Sie nach, ob sich die Abdichtung in der richtigen Position befindet.
2. Entfernen Sie den Sonnenschutz von der oberen Abdeckung (er befindet sich dort, ist jedoch nicht dort befestigt).
3. Bringen Sie das Steuermodul für Schwenken/Neigen, den Motor und die Kameraeinheit am Fuß an und ziehen Sie die Schrauben fest (Zugmoment 4 Nm).

HINWEIS

Richten Sie die einzelnen Komponenten mithilfe der Ausrichtungsmarkierungen aus. Durch falsche Ausrichtung können die Komponenten beschädigt werden.



- | | | | |
|---|--|---|----------------------|
| 1 | Steuermodul für Schwenken/Neigen,
Motor und Kameraeinheit | 4 | Abdichtung |
| 2 | Abdeckung des Konfigurationsrings | 5 | Fuß |
| 3 | Ausrichtungsmarken | 6 | Unterlegscheibe (4x) |
| | | 7 | Schraube (4x) |

4. Richten Sie die Dual PTZ Netzwerk-Kamera auf einen interessanten Punkt und fokussieren Sie die Thermal-Netzwerk-Kamera bei Bedarf (siehe *Fokussierung – AXIS Q1921/AXIS Q1922*, auf Seite 58). Hinweise zum Anzeigen des Videostroms finden Sie unter *Zugriff auf den Videostrom*, auf Seite 58 und auf der Installations- und Management-Software-CD-ROM.
5. Installieren Sie die Gegengewichte (siehe *Installieren der Gegengewichte*, auf Seite 53) oder die ausgewählten Strahler (separat erhältlich; siehe Seite 56). Infrarot-LED-Strahler sind als Zubehör erhältlich. Unter www.axis.com finden Sie Informationen über verfügbare Strahler.

HINWEIS

Entweder Gegengewichte oder Strahler werden installiert. Wenn Sie andere Installationsmethoden verwenden, erlischt die Garantie und der sichere Betrieb des Geräts ist nicht gewährleistet.

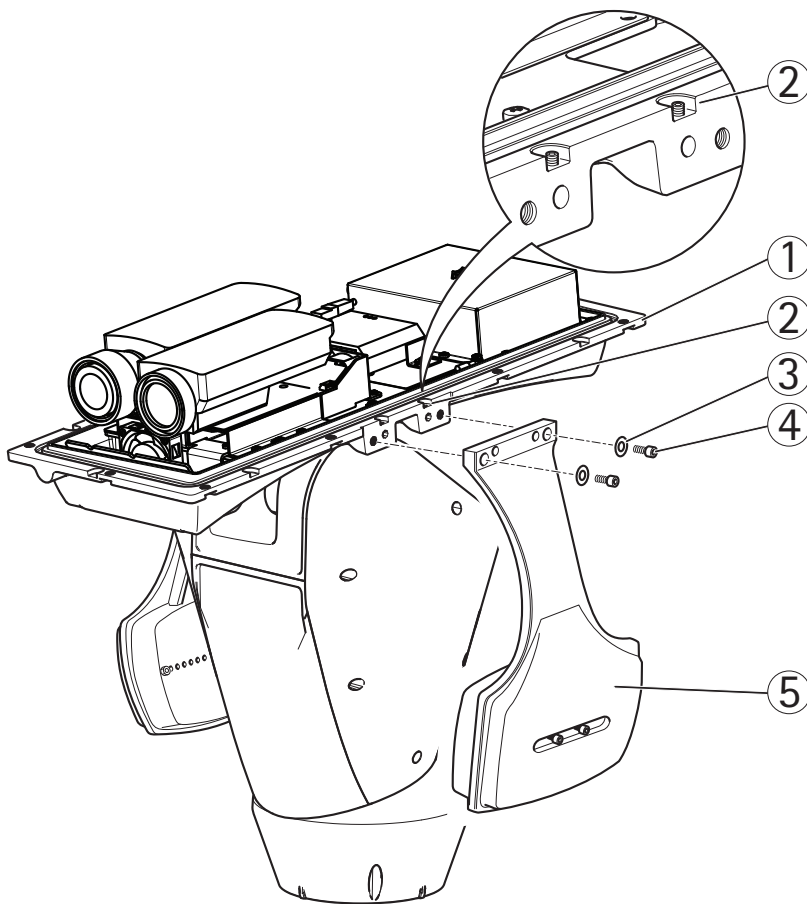
Installieren der Gegengewichte

1. Lösen Sie die Schrauben der unteren Abdeckung und nehmen Sie die obere Abdeckung ab (siehe Abbildung auf Seite 55).
2. Befestigen Sie die Gegengewichte mithilfe der mitgelieferten Schrauben und Unterlegscheiben (Zugmoment 4 Nm) an der unteren Abdeckung.

HINWEIS

Tragen Sie Loctite 243® Gewindekleber auf die Schrauben auf.

3. Befestigen Sie die Gegengewichte mit den mitgelieferten Gewindestiften (Zugmoment 4 Nm).

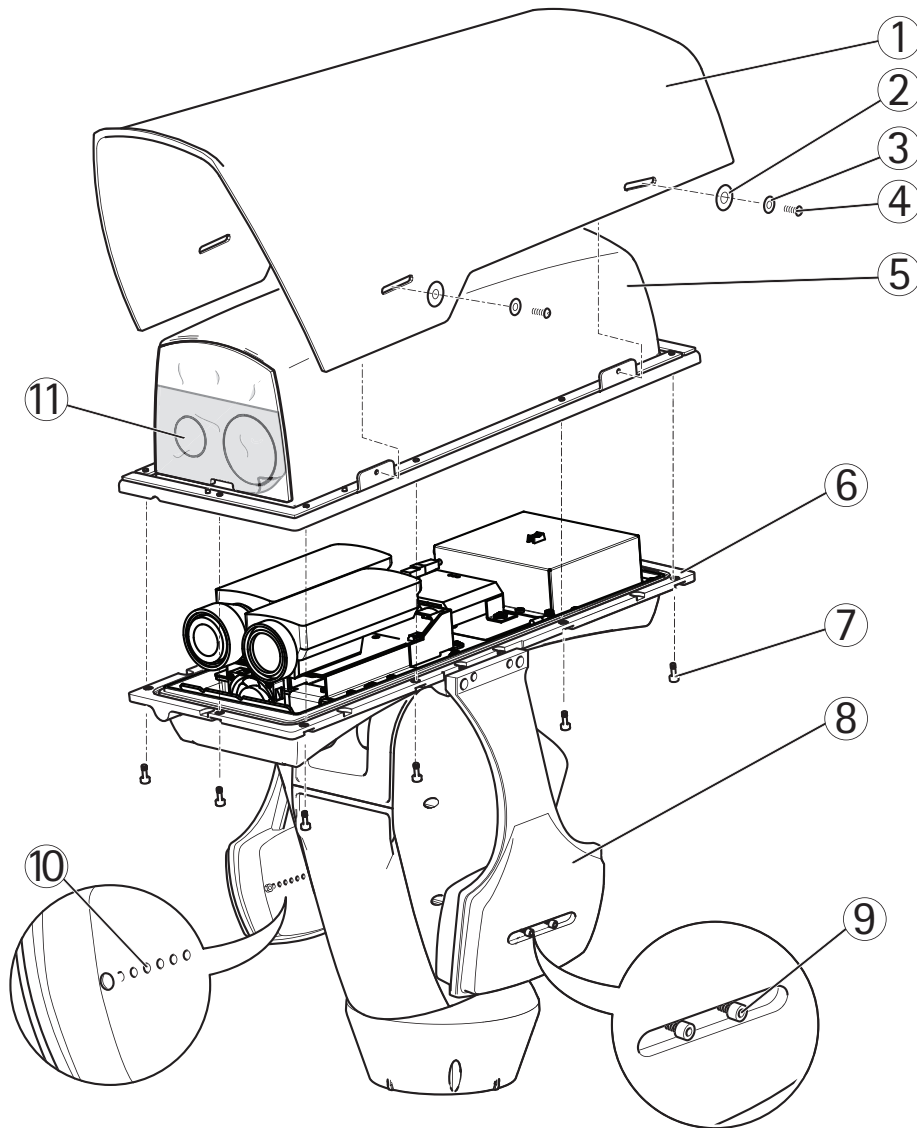


- 1 Untere Abdeckung
- 2 Gewindestift (4x)
- 3 Unterlegscheibe (4x)
- 4 Schraube (4x)
- 5 Gegengewicht (2x)

4. Setzen Sie die obere Abdeckung auf die untere Abdeckung. Ziehen Sie abwechselnd die jeweils diagonal gegenüberliegenden Schrauben der unteren Abdeckung um einige Umdrehungen fest, bis alle Schrauben festgezogen sind (Zugmoment 4 Nm). Somit wird sichergestellt, dass die Dichtung der unteren Abdeckung gleichmäßig angepresst wird.
5. Befestigen Sie den Sonnenschutz auf der oberen Abdeckung.
6. Lösen Sie die Feststellschrauben der Gegengewichte und bringen Sie diese an die gewünschte Position. Die Position der Gewichte muss symmetrisch sein.

Hinweis: Die Schwenk-/Neigungseinheit muss sich im Gleichgewicht befinden, damit die gleichnamige Funktion ordnungsgemäß arbeitet. Überprüfen Sie das Gleichgewicht durch leichtes Schwingen des Gehäuses.

7. Entfernen Sie die Schutzfolie vom Schutzfenster.



- | | | | |
|---|--------------------------------|----|--------------------------------------|
| 1 | Sonnenschutz | 7 | Schraube für untere Abdeckung (10x) |
| 2 | Unterlegscheibe (4x) | 8 | Gegengewicht |
| 3 | Sicherungsscheibe (4x) | 9 | Feststellschrauben für Gegengewichte |
| 4 | Schraube für Sonnenschutz (4x) | 10 | Positionierungslöcher |
| 5 | Obere Abdeckung | 11 | Schutzfolie |
| 6 | Untere Abdeckung | | |

8. Schalten Sie die Stromversorgung an. Das Steuermodul für Schwenken/Neigen beginnt sich zu drehen und die Kameras schalten sich ca. 30 Sek. später ein. Bei niedrigen Temperaturen dauert dieses Einschalten aufgrund des Enteisens u. U. länger (siehe *Tag-Nacht-Sensor*, auf Seite 57).

⚠ VORSICHT

Einklemmgefahr. Berühren Sie das Produkt nicht, während es sich bewegt.

Installation der Strahler (separat erhältlich)

Hinweise zur Installation der Strahler (separat erhältlich) finden Sie in der Installationsanleitung für diese Strahler.

Composite Video (optional für AXIS Q1755)

Hinweise zum Anschluss des Composite Video-Ein-/Ausgangs finden Sie im Benutzerhandbuch für AXIS Q1755.

4 Konfiguration

Informationen zum Zuweisen einer IP-Adresse und zum Einrichten des Zugangs zum Produkt finden Sie unter *Zugriff auf den Videostrom*, auf Seite 58 und auf der Installations- und Managementsoftware-CD.

PTZ

Die PTZ-Funktionalität wird durch die Netzwerk-Kamera gesteuert. Die PTZ-Steuerungen sind von der Seite für Direktansicht auf den Webseiten der Netzwerk-Kamera nach Aktivierung der PTZ-Funktionalität verfügbar. Hinweise finden Sie im Benutzerhandbuch unter www.axis.com.

Tag-Nacht-Sensor

Der Tag-Nacht-Sensor ist am Netzteil (separat erhältlich) befestigt.

Das Produkt ist werksseitig für optimale Leistung unter verschiedenen Bedingungen konfiguriert. Diese Einstellungen können jedoch vor Ort an die jeweiligen Bedingungen angepasst werden.

Drehen Sie zum Einstellen der Empfindlichkeit des Tag-Nacht-Sensors das Potentiometer, bis der gewünschte Grenzwert erreicht ist. Drehen Sie zum Vergrößern des Grenzwerts und Einstellen des Schalters auf Nachtmodus das Potentiometer im Uhrzeigersinn. Drehen Sie zum Verringern des Grenzwerts und Verzögern des Erreichens des Nachtmodus das Potentiometer im Gegenuhrzeigersinn. Durch den Übergang in den Nachtmodus werden die Strahler (separat erhältlich) eingeschaltet.

Enteisen

Die automatische Enteisierung des Produkts beginnt bei Lufttemperaturen unter 0 °C; hierfür muss das Produkt eingeschaltet sein. Durch Enteisierung wird sichergestellt, dass das Produkt auch bei niedrigen Temperaturen ordnungsgemäß funktioniert. Die Enteisierung dauert 90 Min.; in dieser Zeit sind beide Kameras ausgeschaltet.

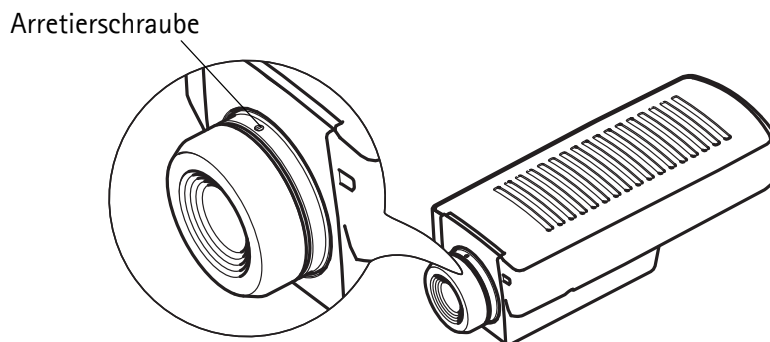
5 Zugriff auf den Videostrom

Verwenden Sie die bereitgestellten Tools der Installations- und Management-Software-CD, um eine IP-Adresse zuzuordnen, ein Passwort einzurichten und um Zugang zum Videostrom zu erhalten. Diese Informationen sind ebenso in den Hilfeseiten der Website www.axis.com/techsup enthalten.

Fokussierung – AXIS Q1921/AXIS Q1922

Führen Sie, falls nötig, die folgenden Schritte aus, um die Fokussierung der Thermal-Netzwerk-Kamera durchzuführen:

1. Lösen Sie die Arretierschraube am Objektiv mit einem 1,8-mm-Schlitzschraubendreher.



2. Fokussieren Sie die Kamera auf die entsprechende Entfernung. In der folgenden Tabelle finden Sie die empfohlenen Fokussentfernungen für einen optimalen Fokus (Nahfokus und unendlich).

Camera und Objektiv	35 mm	60 mm
AXIS Q1921	22 m	60 m
AXIS Q1922	33 m	90 m

3. Ziehen Sie die Arretierschraube an.

Beachten

Die Netzwerk-Kamera besitzt ein Objektiv mit Autofokus und kann daher nicht manuell eingestellt werden.

Wiederherstellen der werksseitigen Standardeinstellungen

Dadurch werden sämtliche Parameter einschließlich der IP-Adresse auf die werksseitigen Standardeinstellungen zurückgesetzt:

1. Trennen Sie die Kamera von der Stromversorgung.
2. Halten Sie die Steuertaste gedrückt und stecken Sie den Netzstecker wieder ein.
3. Halten Sie die Steuertaste so lange gedrückt, bis die Statusanzeige gelb aufleuchtet (dies kann bis zu 15 Sekunden dauern).
4. Lassen Sie die Steuertaste los. Sobald die Statusanzeige grün leuchtet (dies kann bis zu einer Minute dauern), ist die Kamera auf die werksseitigen Standardeinstellungen zurückgesetzt.
5. Legen Sie die IP-Adresse erneut fest.

Die Parameter können auch über die Webschnittstelle auf die werksseitigen Standardeinstellungen zurückgesetzt werden. Weitere Informationen dazu finden Sie in der Online-Hilfe und im Benutzerhandbuch.

Fehlerbehebung

Die folgende Tabelle gilt nur für die Einheit zum Schwenken/Neigen und für die Strahler. Hinweise zur Fehlerbeseitigung der Netzwerk-Kameras finden Sie in den entsprechenden Benutzerhandbüchern.

⚠ WARNUNG

Trennen Sie vor Wartungsarbeiten die Verbindung zwischen Stromversorgung und Produkt.

Das Produkt läuft nicht.	Überprüfen Sie, ob alle Verbindungen korrekt sind.
Das Produkt bewegt sich nicht.	Überprüfen Sie, dass das Netzkabel nicht beschädigt und ordnungsgemäß angeschlossen ist.
	Schwenken/Neigen ist während des Enteisens deaktiviert (siehe <i>Enteisen</i> , auf Seite 57).
Das Produkt bewegt sich, reagiert jedoch nicht auf Befehle.	Überprüfen Sie, ob die PTZ-Funktionalität aktiviert ist (siehe <i>PTZ</i> , auf Seite 57).
	Überprüfen Sie, dass das RS-485-Kabel nicht beschädigt und ordnungsgemäß angeschlossen ist.
Die Strahler werden beim Übergang von Tag zu Nacht nicht eingeschaltet.	Überprüfen Sie, ob alle Verbindungen korrekt sind.
	Überprüfen Sie, ob der Tag-Nacht-Sensor so positioniert ist, dass er Änderungen am Tageslicht wahrnehmen kann.
	Ändern Sie die Einstellung des Potentiometers (siehe <i>Tag-Nacht-Sensor</i> , auf Seite 57).

Technische Daten

Die technischen Daten der Netzwerk-Kameras finden Sie in den entsprechenden Benutzerhandbüchern.

Funktion/Gruppe	Artikel	Spezifikationen
Kamera	Modell	AXIS Q8721-E, enthält AXIS Q1755 und AXIS Q1921 AXIS Q8722-E, enthält AXIS Q1755 und AXIS Q1922
Allgemeines	Schwenken/ Neigen	Schwenken: 360° endlos, 0,1° bis 20°/s Neigen: +45° bis -20°, 0,1° bis 20°/s
	Protokoll	Pelco-D
	Voreingestellte Genauigkeit	0.02°
	Gehäuse	Aluminium, Sonnenschutz ABS PMMA Schutzklasse IP 66 Farbe: RAL 9002
	Netzspannung	24 V AC 50/60 Hz, 200 W vom Netzteil (separat erhältlich) 230/120 V AC 50/60 Hz mit integriertem Tag-Nacht-Sensor
	Betriebsbedin- gungen	-30 °C bis 45 °C Relative Luftfeuchtigkeit 10 bis 100 % (kondensierend)
	Zulassungen	EN 55022 Klasse A, EN 55024, EN 61000-6-1, EN 61000-6-2 FCC Teil 15 Teilabschnitt B Klasse A bewiesen durch Einhaltung von EN 55022 ICES-003 Klasse A bewiesen durch Einhaltung von EN 55022 C-Tick AS/NZS CISPR 22 bewiesen durch Einhaltung von EN 55022 EN 61000-3-2, EN 61000-3-3 EN 60950-1, EN 60950-22 IEC/EN 60529 IP66
	Gewicht	28,5 kg
	Im Lieferumfang enthaltenes Zubehör	Installations- und Management-Software CD-ROM Windows-Decoder-Lizenz für 1 Benutzer
	Erforderliches Zubehör	Netzteil (230 V/120 V) mit integriertem Tag-Nacht-Sensor (separat erhältlich) Wandhalterung oder Halterung für Säulenmontage (separat erhältlich)
Optionales Zubehör	Eckmontage und Hochständermontage IR Strahler Installationsmonitor Management-Software für die AXIS Camera Station und Videofunktionalität von Axis Application Development Partners	

Weitere Informationen

Unter www.axis.com/techsup finden Sie Firmware-Aktualisierungen für Ihre Netzwerkprodukte. Für die aktuell installierte Firmware-Version siehe **Setup > About**.

Im Axis Lernzentrum unter www.axis.com/academy finden Sie hilfreiche Schulungen, Webinare, Lernprogramme und Anleitungen.

Garantie

Die Garantiebedingungen für Axis Produkte sowie weitere Informationen zum Thema Garantie finden Sie unter www.axis.com/warranty

Medidas preventivas

Lea detenidamente esta Guía de instalación antes de instalar el producto Axis. Guarde la Guía de instalación para poder consultarla en el futuro.

⚠ ATENCIÓN

Riesgo de punzamiento. No toque el producto mientras está en movimiento.

AVISO

- Guarde el producto Axis en un entorno seco y ventilado.
- Evite exponer el producto Axis a vibraciones, golpes o presiones excesivas. No instale el producto en soportes inestables ni en superficies o paredes inestables o con vibraciones, ya que esto podría dañarlo.
- Utilice solo las herramientas apropiadas para instalar el producto Axis; una fuerza excesiva podría dañarlo.
- No apunte la lente de la cámara termal directamente hacia el sol u otras emisiones de radiación de alta intensidad ya que el sensor podría ser dañado.
- No utilice productos químicos, agentes cáusticos ni limpiadores en aerosol. Límpielo con un paño húmedo.
- Utilice solo accesorios que cumplan las especificaciones técnicas del producto. Puede obtenerlos de Axis o de un tercero.
- Utilice solo piezas de recambio suministradas o recomendadas por Axis.
- No intente reparar el producto usted mismo, póngase en contacto con Axis o con el distribuidor de Axis para los temas de servicio técnico.

Importante

- Este producto Axis se utilizará de conformidad con la legislación y normativas locales.
- No instale la cámara cerca de emisiones de calor ya que las fluctuaciones de temperatura podrían afectar la calidad de la imagen.
- La instalación del producto Axis debe realizarla un profesional cualificado. Siga las normativas nacionales y locales aplicables para la instalación.

Transporte

AVISO

- A la hora de transportar el producto Axis, utilice el embalaje original o uno equivalente para no dañar el producto.

Sustitución de la batería

Este producto Axis utiliza una batería de litio CR2032 3.0 de 3,0 V como fuente de alimentación para su reloj de tiempo real interno (RTC). En condiciones normales, esta batería durará un mínimo de 5 años. Cuando la batería tiene poca carga, el funcionamiento del RTC se puede ver afectado, ya que esto puede hacer que se reinicie cada vez que se encienda. Aparecerá un mensaje de registro cuando sea necesario sustituir la batería. No se debe sustituir la batería a menos que sea necesario.

Si necesita sustituir la batería, visite la página www.axis.com/techsup para recibir asistencia.

⚠ ADVERTENCIA

- Deseche las baterías usadas según las instrucciones del fabricante.

AVISO

- Existe peligro de explosión si la batería se sustituye de forma incorrecta.
- Utilice solo baterías de recambio iguales o equivalentes, de acuerdo con las recomendaciones del fabricante.

Guía de instalación de las unidades AXIS Q87-E

Esta Guía de instalación incluye las instrucciones necesarias para instalar las cámaras de red PTZ duales AXIS Q8721-E y Q8722-E en su red. Para cualquier otra cuestión relativa al uso del producto, consulte los Manuales del usuario, disponibles en www.axis.com

Pasos para la instalación

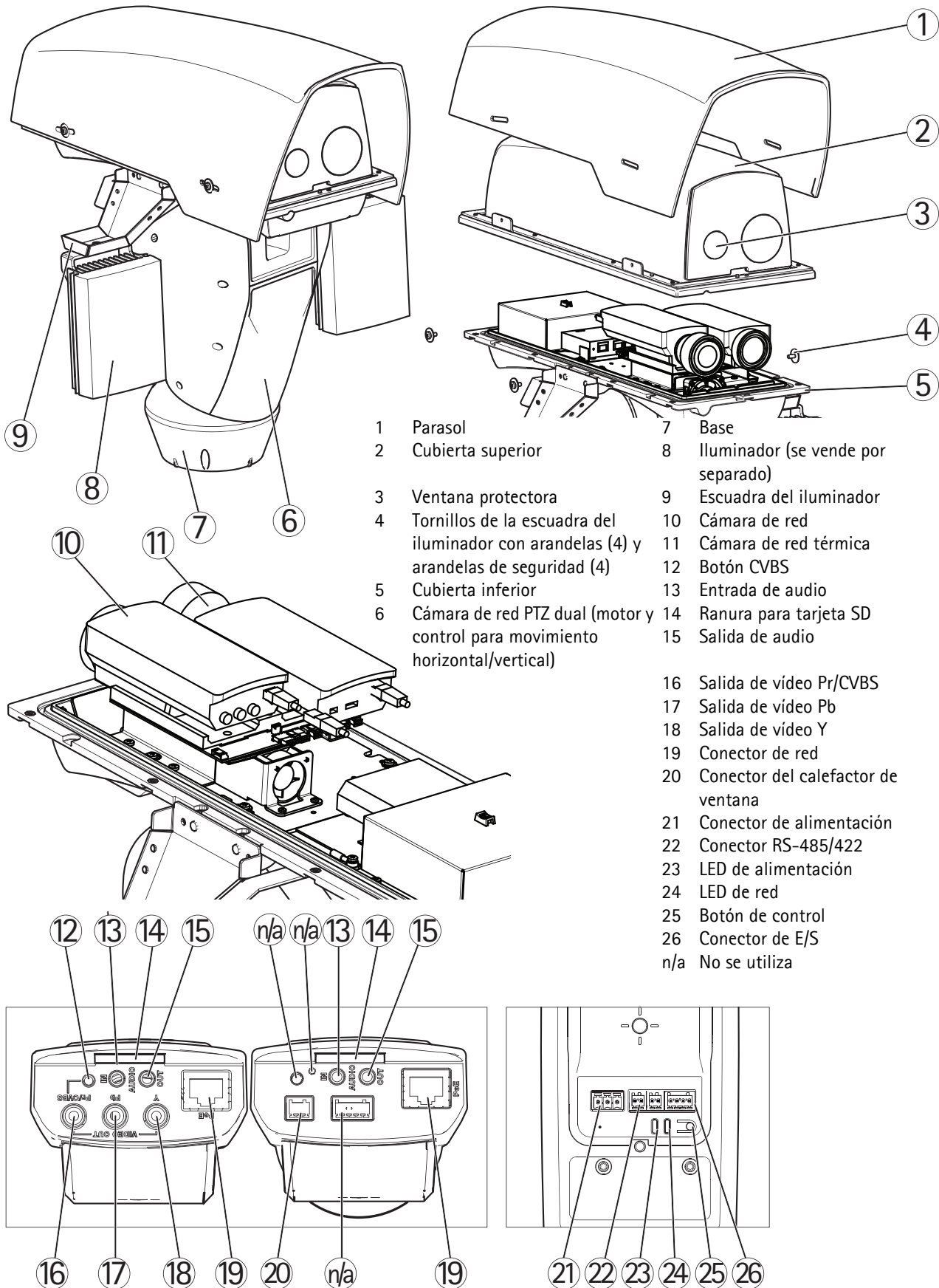
1. Verifique el contenido del paquete cotejándolo con la lista que aparece más abajo.
2. Presentación del hardware. Consulte página 67.
3. Instalación del hardware.
 - Instalar la fuente de alimentación (se vende por separado), consulte página 68.
 - Instalar la escuadra (se vende por separado), consulte página 69.
 - Fijar la base a la escuadra, consulte página 71.
 - Acople la cámara de red de la serie Q87-E a la base, consulte página 74.
 - Instalar los iluminadores (se venden por separado), consulte página 77.
 - Instalación de los contrapesos, consulte página 75.
4. Configuración. Consulte página 78.
5. Acceso a la transmisión de vídeo. Consulte página 79.

1 Contenido del paquete

Artículo	Modelos/variantes/notas
Cámara de red PTZ dual	AXIS Q8721-E, incluye AXIS Q1755 y AXIS Q1921 AXIS Q8722-E, incluye AXIS Q1755 y AXIS Q1922 Motor y control para movimiento horizontal/vertical Parasol
Base	Base para cámara de red PTZ dual
Contrapesos	Contrapesos para equilibrar de la unidad de control de movimiento horizontal/vertical (cuando no usa iluminadores)
Accesorios de montaje	Kit de montaje del parasol Kit de montaje de la base
CD	CD del software de instalación y gestión
Materiales impresos	Guía de instalación de la unidad AXIS Q87-E (este documento) Documento de garantía de Axis Etiquetas adicionales con el número de serie (2)
Accesorios necesarios	Fuente de alimentación (230 V/120 V) con sensor diurno/nocturno integrado (se vende por separado) Escuadra de pared o escuadra de columna (se vende por separado)
Accesorios opcionales	Montaje en esquina, montaje en poste Iluminadores de infrarrojos Monitor de instalación Axis Visite www.axis.com para obtener más información acerca de los accesorios disponibles

Artículo	Modelos/variantes/notas
Herramientas necesarias (no incluidas)	Herramienta de crimpado para RJ45 Juego de llaves Allen Juego de carracas Taladro para realizar agujeros en la superficie de montaje Fijador de roscas Loctite 243®

2 Presentación del hardware



3 Instalación del hardware

Para más información acerca de los conectores de la cámara, comportamiento de los LED, etc., consulte los Manuales del usuario correspondientes.

Instalar la fuente de alimentación (se vende por separado)

⚠ ADVERTENCIA

La alimentación eléctrica principal debe estar desconectada durante la instalación.

AVISO

Debe usarse la fuente de alimentación suministrada con el producto. El uso de cualquier otra fuente de alimentación anulará la garantía y podría poner en riesgo la unidad.

Importante

El sensor diurno/nocturno se conecta a la fuente de alimentación (se vende por separado). Si usa un sensor diurno/nocturno, coloque la fuente de alimentación de manera que el sensor pueda registrar los cambios de la luz del día.

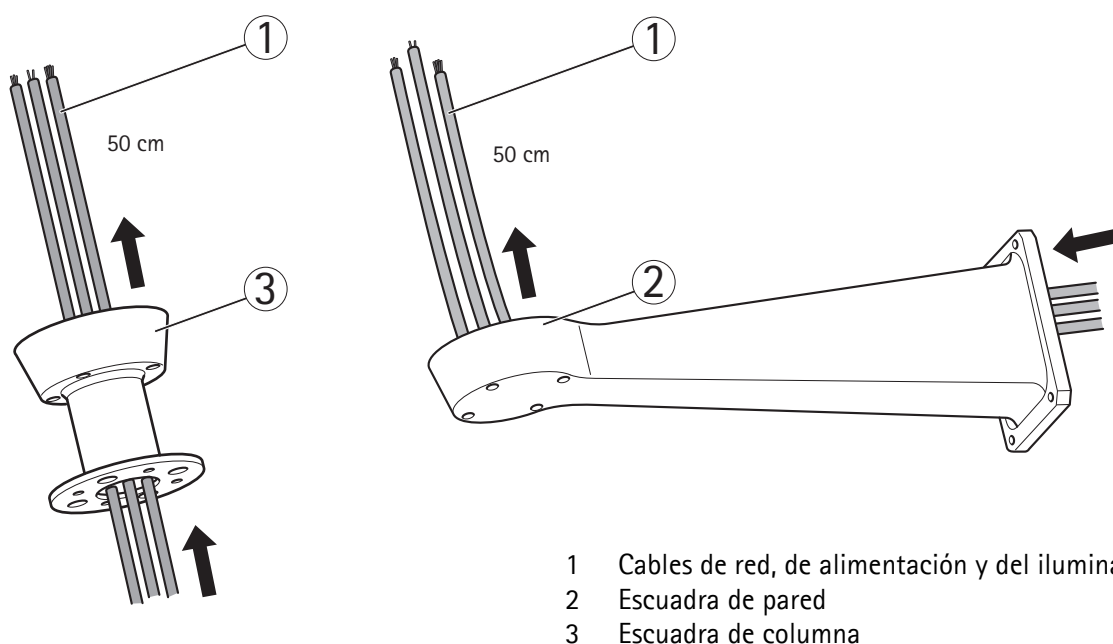
1. Instale la fuente de alimentación siguiendo las instrucciones suministradas con ella.

Instalar la escuadra (se vende por separado)

1. Prepare una pared, parapeto o poste para la instalación de la escuadra seleccionada (se vende por separado). Visite www.axis.com para obtener más información sobre los accesorios de montaje disponibles.
2. Pase los cables de red, alimentación y del iluminador si procede por la escuadra. Deje aproximadamente 50 cm de cable para conectar la base.

AVISO

Debido a las regulaciones locales o a las condiciones eléctricas o ambientales en las que se usa el producto, podría ser apropiado o necesario un cable de red blindado (STP). Todos los cables de red que se utilicen en exteriores o similares deberán estar blindados (STP) y diseñados para su uso específico. Asegúrese de que el switch de red está conectado a tierra de forma correcta. Consulte el apartado de *Electromagnetic Compatibility (EMC)* para los requerimientos normativos.

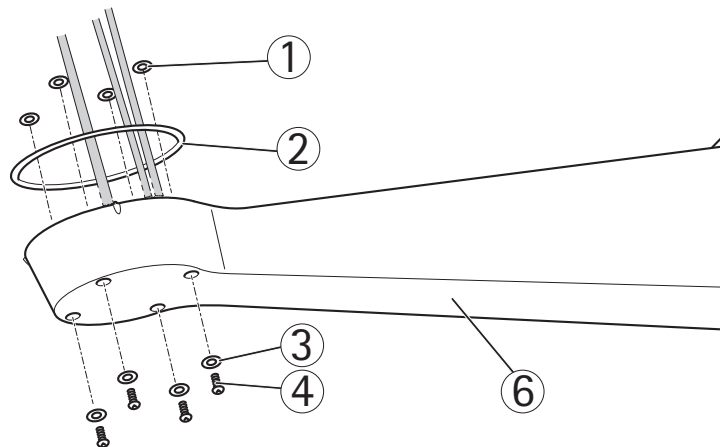
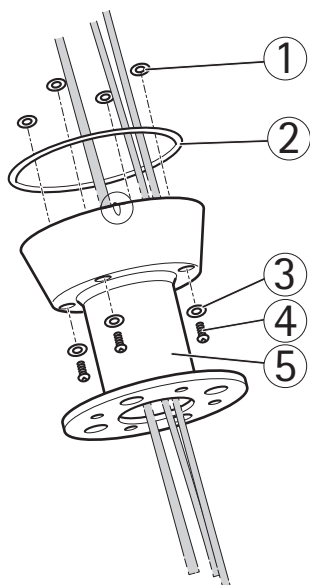


3. Instale la escuadra seleccionada. Asegúrese de que los tornillos y los tacos resultan adecuados para el material (por ejemplo, madera, metal, paneles de yeso, piedra). Asegúrese de que la escuadra está bien fijada y que el material es lo suficientemente resistente para soportar un peso de 35 kg.

Importante

- Instalación del producto en una posición vertical. No instale el producto boca abajo.
- Al fijar la escuadra a una superficie de hormigón, utilice pasadores con un valor de par de ≥ 300 dN.
- Al fijar la escuadra a una superficie de metal, utilice tornillos con un diámetro como mínimo de 8 mm.

4. Monte los tornillos, arandelas y juntas.
5. Coloque la junta en su posición.



- | | | | |
|---|-------------------------|---|---------------------|
| 1 | Juntas de tornillos (4) | 4 | Tornillos (4) |
| 2 | Junta | 5 | Escuadra de columna |
| 3 | Arandelas (4) | 6 | Escuadra de pared |

Fijar la base a la escuadra

1. Quite la bolsa desecante que está colocada en la base.
2. Asegúrese de que la junta está en su posición.
3. Pase los cables de red, de alimentación y del iluminador si procede a través de los prensaestopas en la base.

Importante

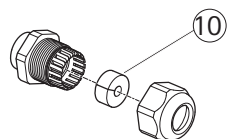
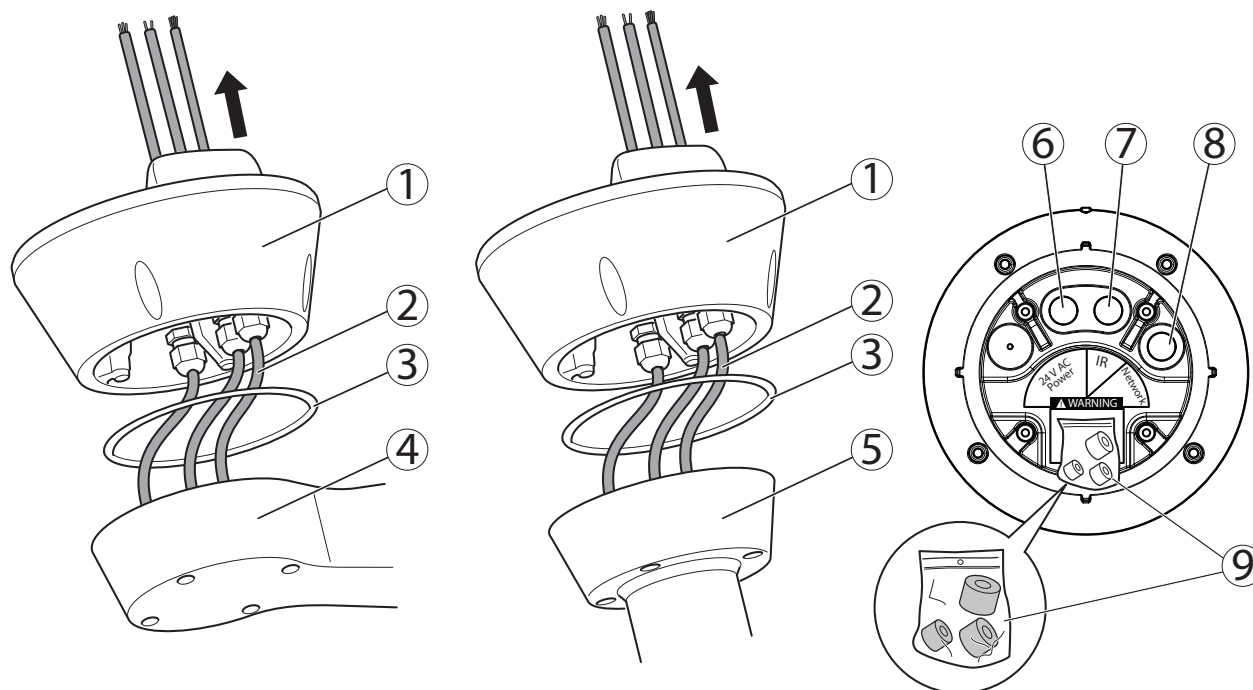
El prensaestopas para el cable de alimentación, y el cable de alimentación del iluminador IR tiene una junta pre-montada apta para cables con diámetro entre 5 mm - 10 mm . Para cables con un diámetro entre 3 mm - 7 mm, use las juntas de repuesto suministradas.

El prensaestopas para el cable de red tiene una junta pre-montada apta para cables con diámetro entre 3 mm - 7 mm. Para cables cuyo diámetro es de 5 mm - 10 mm, use las juntas de repuesto suministradas.

4. Enrosque las tapas de los prensaestopas de los cables con firmeza.

AVISO

Es importante apretar las tapas de los prensaestopas de los cables para mantener la clasificación IP del producto y reducir la deformación del cable."



- | | | | |
|---|---|----|----------------------------------|
| 1 | Base | 5 | Escuadra de columna |
| 2 | Cables de red, de alimentación y del iluminador | 6 | Cable de alimentación (24 V CA) |
| 3 | Junta | 7 | Cable del iluminador |
| 4 | Escuadra de pared | 8 | Cable de red |
| | | 9 | Juntas de repuesto suministradas |
| | | 10 | Juntas |

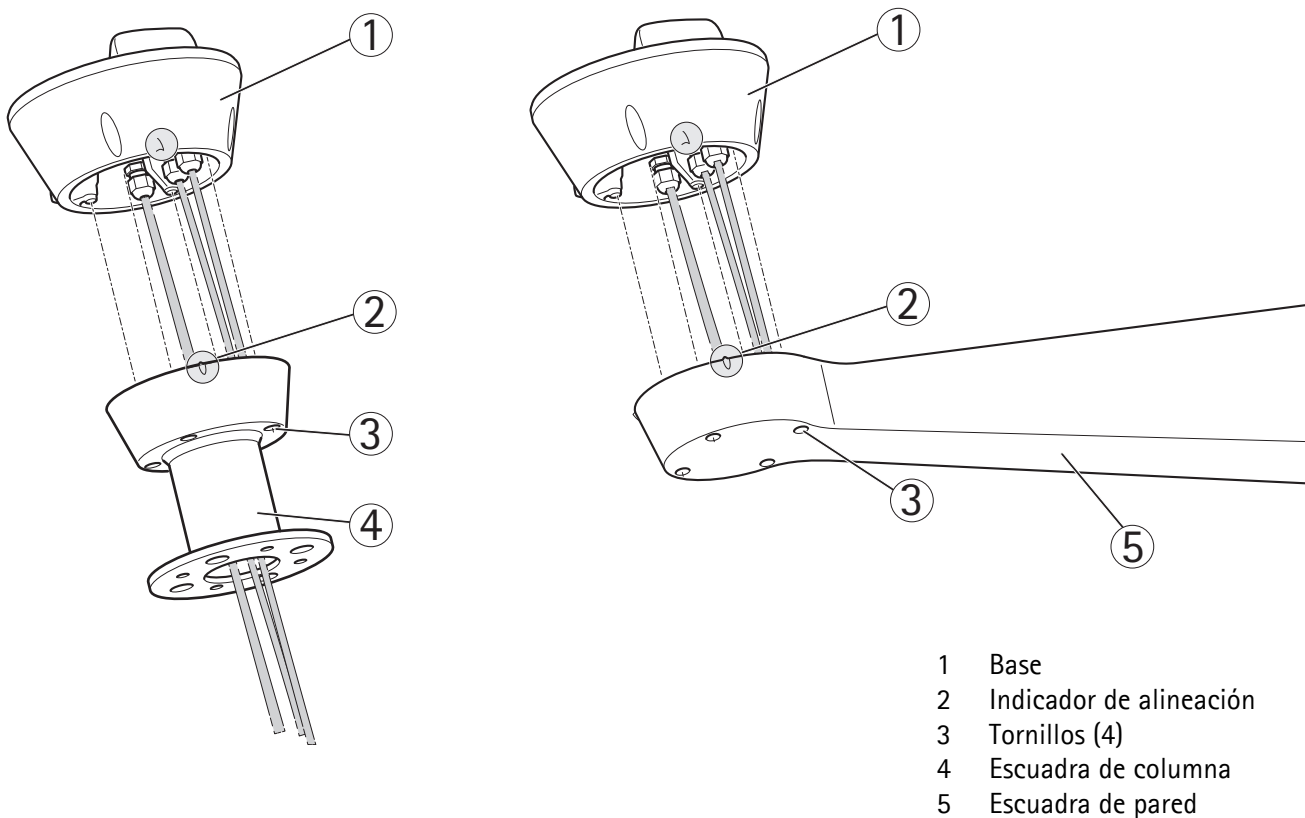
5. Encaje la base a la escuadra y apriete los tornillos (valor de par de 4 Nm).

AVISO

Aplique el fijador de roscas Loctite 243® en los tornillos.

Importante

La base puede unirse a la escuadra en cuatro posiciones distintas. Use los indicadores de alineación de las distintas unidades para encontrar una posición adecuada que le permita acceder al circuito de configuración, el cual puede abrirse para obtener un acceso más fácil al conector de red, vea la ilustración de la página 73. Esto es útil para la resolución de problemas o para conectar un monitor de instalación Axis. Los switches DIP están configurados con el protocolo PTZ adecuado de fábrica y no es necesario modificarlos.

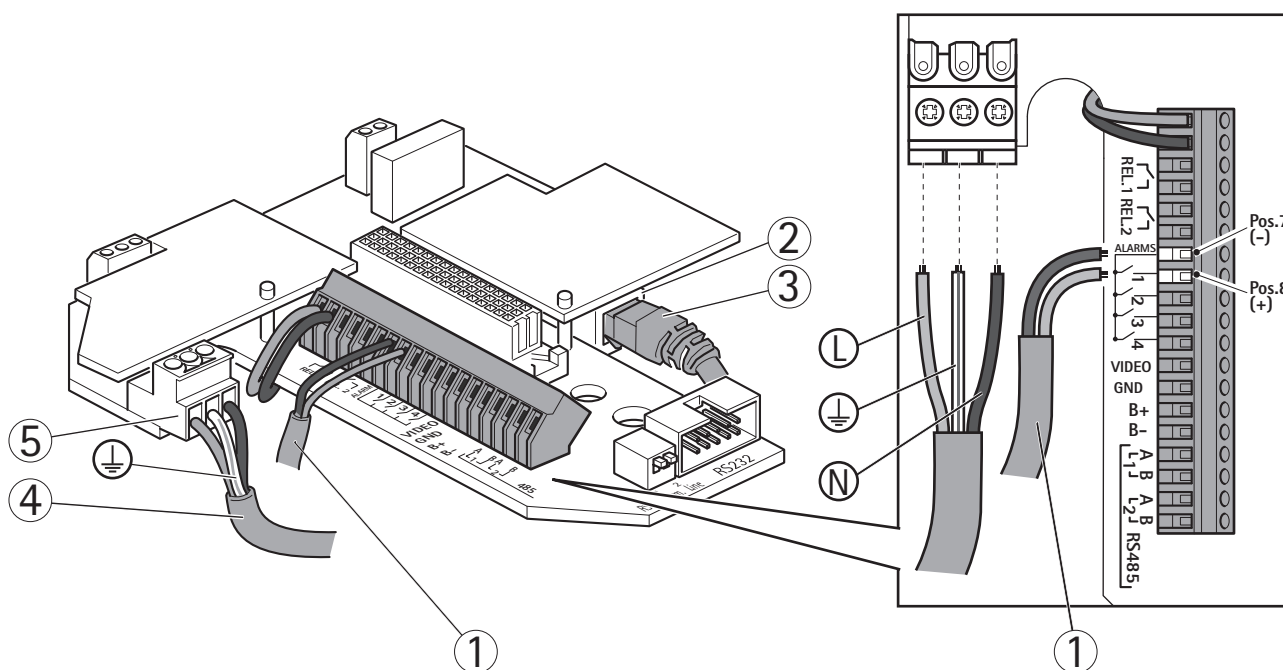


6. Si procede, conecte el cable del iluminador al conector (ALARMS y 1) en la base.
7. Con una herramienta de crimpado para RJ45, pele y crimpe el cable según las instrucciones del fabricante.
8. Conecte el cable de red al conector de red en la base.

AVISO

Debe usarse la fuente de alimentación suministrada con el producto. El uso de cualquier otra fuente de alimentación anulará la garantía y podría poner en riesgo la unidad.

9. Conecte el cable de alimentación de 24 V CA al conector de alimentación en la base. Asegúrese de que el cable de masa amarillo/verde está conectado al pin central. Para facilitar la instalación, es posible quitar el conector del circuito e instalarlo cuando los cables ya estén conectados de forma correcta.



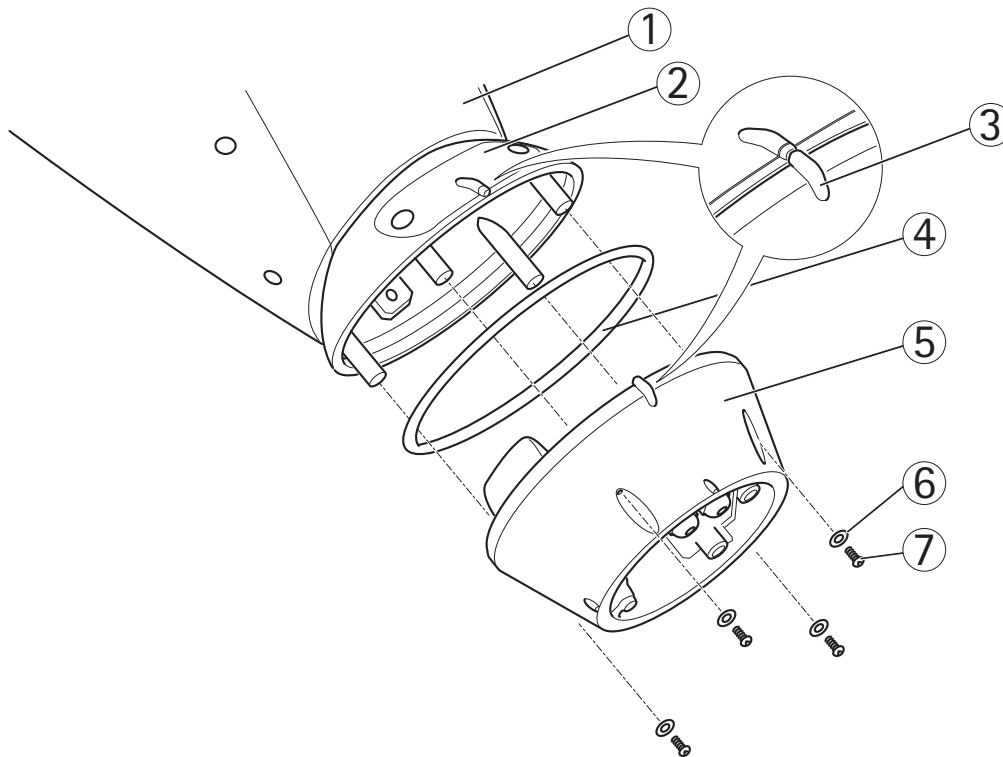
- | | | | |
|---|----------------------|---|--|
| 1 | Cable del iluminador | 4 | Cable de alimentación (24 V CA, azul - L, verde/amarillo - \perp , marrón- N)) |
| 2 | Conector de red | 5 | Cable de alimentación (24 V CA) |
| 3 | Cable de red | | |

Acople la cámara de red de la serie Q87-E a la base

1. Asegúrese de que la junta está en su posición.
2. Quite el parasol, que está colocado pero no fijado, de la cubierta superior.
3. Encaje la unidad de control de movimiento horizontal/vertical, el motor y la cámara a la base y apriete los tornillos (valor de par de 4 Nm).

AVISO

Use los indicadores de alineación para alinear las unidades. El alineamiento incorrecto podría causar daños a los componentes.



- | | | | |
|---|---|---|---------------|
| 1 | Conjunto de unidad de control para movimiento horizontal/vertical, motor y cámara | 4 | Junta |
| 2 | Tapa del circuito de configuración | 5 | Base |
| 3 | Indicadores de alineación | 6 | Arandelas (4) |
| | | 7 | Tornillos (4) |

4. Dirija la cámara de red PTZ dual al punto de interés y enfoque la cámara de red térmica si es necesario, consulte *Enfoque: AXIS Q1921/AXIS Q1922*, en la página 79. Consulte *Acceso a la transmisión de vídeo*, en la página 79 y el CD del software de instalación y gestión para obtener información sobre cómo visualizar las transmisiones de vídeo.
5. Instale los contrapesos, consulte *Instalación de los contrapesos*, en la página 75 o instale los iluminadores seleccionados (se venden por separado), consulte página 77. Los iluminadores LED infrarrojos están disponibles como accesorios, consulte www.axis.com para obtener información sobre iluminadores disponibles.

AVISO

Solo podrán instalarse: o contrapesos o iluminadores. Cualquier otro método de instalación eliminará la garantía y podría poner en riesgo la unidad.

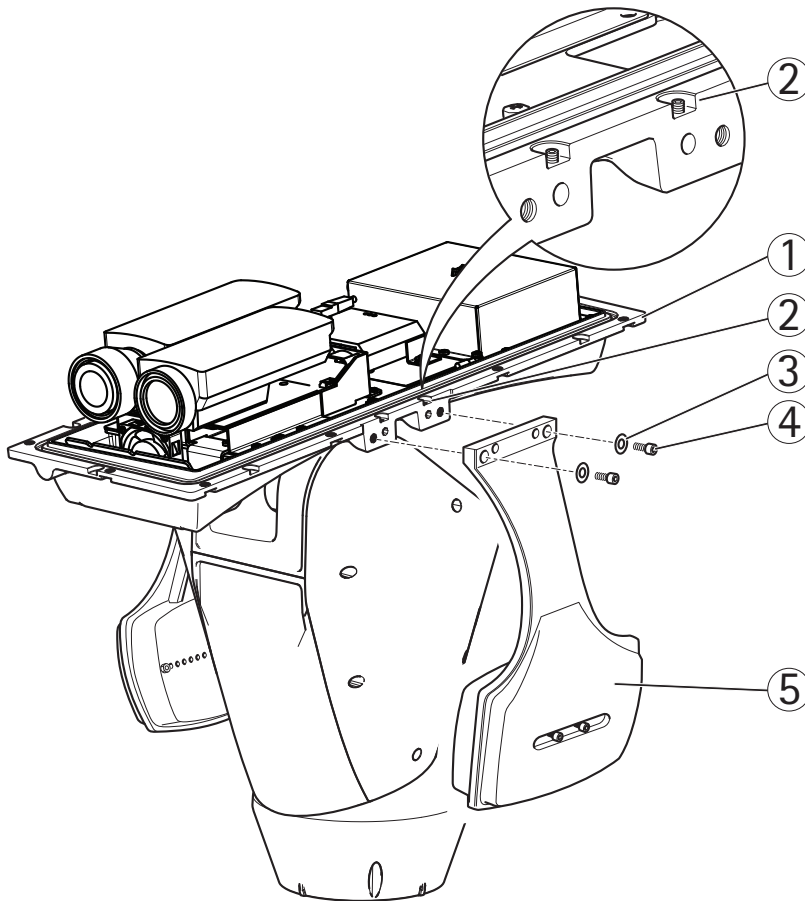
Instalación de los contrapesos

1. Afloje los tornillos de la cubierta inferior y quite la cubierta superior, observe la ilustración en página 76.
2. Sujete los contrapesos a la cubierta inferior usando los tornillos y las arandelas suministrados (valor de par de 4 Nm).

AVISO

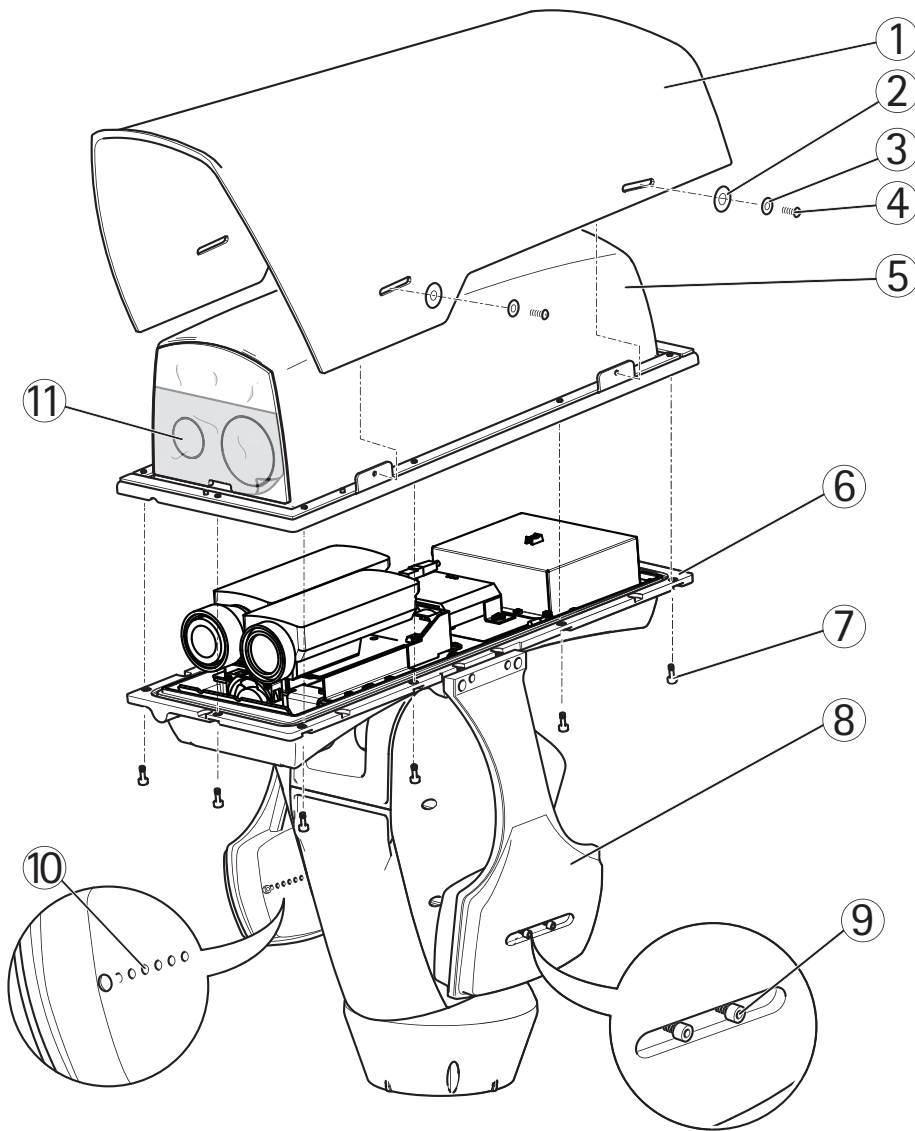
Aplique el fijador de roscas Loctite 243® en los tornillos.

3. Asegure los contrapesos con los tornillos de presión suministrados (valor de par de 4 Nm).



- 1 Cubierta inferior
- 2 Tornillos de presión (4)
- 3 Arandelas (4)
- 4 Tornillos (4)
- 5 Contrapesos (2)

4. Fije la cubierta superior a la cubierta inferior. Asegúrese de apretar los tornillos diagonalmente opuestos de la cubierta inferior de uno en uno unas cuantas vueltas cada vez hasta que todos estén bien apretados (valor de par de 4 Nm). Esto contribuye a garantizar que la junta de la cubierta inferior se comprima de manera uniforme.
 5. Fije el parasol a la cubierta superior.
 6. Afloje los tornillos de fijación del contrapeso y ajuste la posición de los pesos en la posición deseada. Las posiciones de los pesos deben ser idénticas.
- Nota:** El conjunto de control de movimiento horizontal/vertical debe permanecer equilibrado para que funcione correctamente. Compruebe el equilibrio balanceando ligeramente la carcasa.
7. Quite el plástico de protección de la ventana protectora.



- | | | | |
|---|----------------------------|----|--|
| 1 | Parasol | 7 | Tornillos de la cubierta inferior (10) |
| 2 | Arandelas (4) | 8 | Contrapesos |
| 3 | Arandelas de seguridad (4) | 9 | Tornillos para fijar el contrapeso |
| 4 | Tornillos del parasol (4) | 10 | Agujeros de posición |
| 5 | Cubierta superior | 11 | Plástico de protección |
| 6 | Cubierta inferior | | |

8. Conectar la alimentación eléctrica. La unidad de control de movimiento horizontal/vertical comenzará a girar primero y luego se encenderán las cámaras unos 30 segundos más tarde. En temperaturas bajas, puede que haya un retraso debido al proceso de descongelación, consulte *Sensor diurno/nocturno*, en la página 78.

⚠ ATENCIÓN

Riesgo de pellizcos. No toque el producto mientras esté en movimiento.

Instalar los iluminadores (se venden por separado)

Consulte la Guía de instalación proporcionada con los iluminadores para obtener instrucciones acerca de su instalación (se venden por separado).

Salida de vídeo compuesto (Opcional AXIS Q1755)

Para más información acerca de cómo conectar la entrada/salida del vídeo compuesto, consulte el Manual de usuario de AXIS Q1755.

4 Configuración

Para más información acerca de cómo asignar una dirección IP y obtener acceso al producto, consulte *Acceso a la transmisión de vídeo*, en la página 79 y el CD del software de instalación y gestión.

PTZ

La funcionalidad PTZ se controla mediante la cámara de red. Los controles PTZ estarán disponibles desde la página de la vista en directo (Live View) de la página web de la cámara de red después de habilitar la funcionalidad PTZ. Consulte el Manual del usuario disponible en www.axis.com.

Sensor diurno/nocturno

El sensor diurno/nocturno se conecta a la fuente de alimentación (se vende por separado).

El producto está configurado de fábrica para un rendimiento óptimo en una variedad de condiciones. No obstante, los ajustes pueden configurarse para adaptarse a las condiciones del lugar de emplazamiento.

Para ajustar la sensibilidad del sensor diurno/nocturno, gire el potenciómetro hasta que alcance el umbral deseado. Gire el potenciómetro en sentido horario para aumentar el umbral y adelantar el cambio al modo nocturno. Gire el potenciómetro en sentido contrario a las agujas del reloj para disminuir el umbral y retrasar el cambio al modo nocturno. El cambio al modo nocturno activará los iluminadores (se venden por separado).

Descongelación

El producto comienza un proceso de descongelación automático cuando la temperatura del aire está por debajo de los 0 °C necesarios para que el producto esté encendido. El proceso de descongelación asegura que el producto trabaja de forma correcta incluso en temperaturas bajas. El proceso de descongelación tarda 90 minutos y durante este periodo las cámaras están desconectadas.

5 Acceso a la transmisión de vídeo

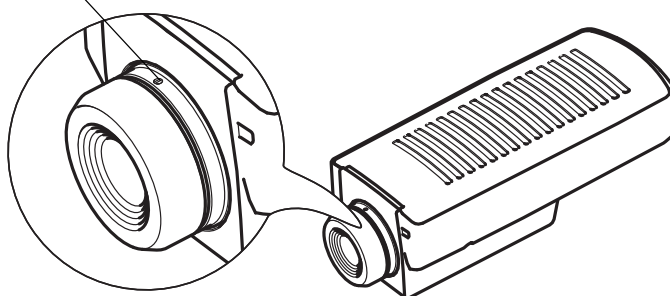
Utilice las herramientas suministradas en el CD del software de instalación y gestión para asignar una dirección IP, establecer la contraseña y acceder a la transmisión de vídeo. Esta información también está disponible en las páginas de asistencia técnica en www.axis.com/techsup

Enfoque: AXIS Q1921/AXIS Q1922

Si es necesario, siga estas instrucciones para enfocar la cámara de red térmica:

1. Desatornille el tornillo de retención del objetivo con un destornillador para tornillos ranurados de 1,8 mm.

Tornillo de retención



2. Enfoque la cámara a la distancia adecuada. Consulte en la siguiente tabla las distancias de enfoque recomendadas para lograr un enfoque óptimo tanto cercano como infinito..

Cámara y objetivo	35 mm	60 mm
AXIS Q1921	22 m	60 m
AXIS Q1922	33 m	90 m

3. Fije el tornillo de retención.

Nota

La cámara de red tiene un objetivo con enfoque automático y no puede ajustarse de forma manual.

Restablecer a la configuración predeterminada de fábrica

Esta operación restaurará todos los parámetros, incluida la dirección IP, a los valores iniciales:

1. Desconecte la alimentación de la cámara.
2. Mantenga pulsado el botón de control y vuelva a conectar la alimentación.
3. Mantenga pulsado el botón de control hasta que el indicador de estado emita una luz ámbar (puede tardar hasta 15 segundos en encenderse).
4. Suelte el botón de control. Cuando el indicador de estado emita una luz verde (lo que puede tardar hasta 1 minuto), habrá finalizado el proceso y se habrán restablecido los valores iniciales de la cámara.
5. Vuelva a asignar la dirección IP.

También es posible restablecer los parámetros a los valores iniciales de fábrica mediante la interfaz web. Para más información, consulte la ayuda en línea o el Manual del usuario.

Solución de problemas

Esta tabla es aplicable únicamente a las unidades de iluminación y de control de movimiento horizontal/vertical. Para solucionar problemas de las cámaras de red, consulte los Manuales del usuario correspondientes.

⚠ ADVERTENCIA

Desconecte la alimentación principal antes de realizar cualquier tipo de procedimiento de mantenimiento.

El producto no está funcionando	Asegúrese de que todas las conexiones se han realizado correctamente.
El producto no se mueve	Asegúrese de que el cable de alimentación está intacto y conectado de forma correcta.
	El control del movimiento horizontal/vertical está desactivado durante el proceso de descongelación, consulte <i>Descongelación</i> , en la página 78.
El producto se desplaza, pero no responde a las órdenes	Compruebe que la funcionalidad PTZ está activada, consulte <i>PTZ</i> , en la página 78.
	Asegúrese de que el cable RS-485 está intacto y conectado de forma correcta.
Los iluminadores no se encienden cuando se hace de noche.	Asegúrese de que todas las conexiones se han realizado correctamente.
	Asegúrese de que el sensor diurno/nocturno está colocado de manera que puede registrar cambios en la luz del día.
	Ajustar el potenciómetro, consulte <i>Sensor diurno/nocturno</i> , en la página 78.

Especificaciones técnicas

Para especificaciones técnicas de las cámaras de red, consulte el Manual del usuario correspondiente.

Función/grupo	Artículo	Especificaciones
Cámara	Modelo	AXIS Q8721-E, incluye AXIS Q1755 y AXIS Q1921 AXIS Q8722-E, incluye AXIS Q1755 y AXIS Q1922
Generales	Movimiento horizontal y vertical	Horizontal: 360° ilimitado, 0,1° - 20°/s Vertical: entre +45° y -20°, 0,1° - 20°/s
	Protocolo	Pelco D
	Precisión predeterminada	0.02°
	Carcasa	Carcasa de aluminio, parasol ABS PMMA Nivel de protección IP66 Color: RAL 9002
	Alimentación	24 V CA 50/60 Hz, 200 W suministrados por la fuente de alimentación (se vende por separado) 230/120 V CA 50/60 Hz con sensor diurno/nocturno integrado
	Condiciones de funcionamiento	De -30 °C a 45 °C Humedad relativa: 10% - 100% (con condensación)
	Homologaciones	EN 55022 Clase A, EN 55024, EN 61000-6-1, EN 61000-6-2 FCC Parte 15 Subparte B Clase A demostrado por el cumplimiento con EN 55022 ICES-003 Clase A demostrado por el cumplimiento con EN 55022 C-tick AS/NZS CISPR 22 demostrado por el cumplimiento con EN 55022 EN 61000-3-2, EN 61000-3-3 EN 60950-1, EN 60950-2 IEC/EN 60529 IP66
	Peso	28,5 kg
	Accesorios incluidos	CD del software de instalación y gestión Descodificador Windows (1 licencia de usuario)
	Accesorios necesarios	Fuente de alimentación (230 V/120 V) con sensor diurno/nocturno integrado (se vende por separado) Escuadra de pared o escuadra de columna (se vende por separado)
Accesorios opcionales	Montaje en esquina y montaje en poste Iluminadores de infrarrojos Monitor de instalación AXIS Camera Station y software de gestión de vídeo de los socios desarrolladores de aplicaciones de Axis	

Más información

Visite www.axis.com/techsup para comprobar si hay firmware actualizado disponible para el producto de red. Para consultar la versión firmware que tiene instalada actualmente, vaya a Configuración (Setup) < Acerca de (About). Visite el centro de formación de Axis en www.axis.com/academy para consultar cursos, seminarios web, tutoriales y guías de gran utilidad.

Garantía

Para información sobre la garantía de productos Axis e información relacionada, por favor consulte www.axis.com/warranty

Sicurezza

Leggere attentamente questa Guida all'installazione prima di installare un prodotto Axis. Conservare la Guida all'installazione per ulteriori riferimenti.

⚠ ATTENZIONE

È rischioso per le mani toccare il prodotto mentre è in movimento.

AVVISO

- Conservare il prodotto Axis in un ambiente asciutto e ben ventilato.
- Evitare di esporre il prodotto Axis alle vibrazioni, agli urti o a forte pressione. Non installare il prodotto su staffe instabili, superfici o pareti instabili o vibranti, poiché ciò potrebbe danneggiare il prodotto.
- Utilizzare solo strumenti idonei quando si installa il prodotto Axis. Una forza eccessiva potrebbe danneggiare il prodotto.
- Non dirigere l'obiettivo della telecamera termica direttamente verso sorgenti luminose ad alta intensità o la luce solare. Questo potrebbe danneggiare il sensore.
- Non utilizzare sostanze chimiche, agenti caustici o detergenti spray. Utilizzare un panno umido per la pulizia.
- Utilizzare solo accessori conformi alle specifiche tecniche del prodotto. Queste possono essere fornite da Axis o da terze parti.
- Utilizzare solo parti di ricambio fornite o raccomandate da Axis.
- Non tentare di riparare il prodotto da soli, contattare Axis o il rivenditore di zona Axis per assistenza.

Importante

- Questo prodotto Axis deve essere utilizzato in conformità alle leggi e alle disposizioni locali.
- Non installare la telecamera vicino a sorgenti di calore poiché gli sbalzi di temperatura potrebbero influenzare negativamente la qualità della rilevazione termica.
- Il prodotto Axis deve essere installato da un tecnico qualificato. Osservare le disposizioni nazionali e locali per l'installazione.

Trasporto

AVVISO

- Quando si trasporta il prodotto Axis, utilizzare l'imballo originale o un imballo equivalente per evitare di danneggiare il prodotto.

Sostituzione della batteria

Questo prodotto Axis utilizza una batteria al litio CR2032 da 3.0 V per alimentare il real-time clock (RTC) interno. In normali condizioni questa batteria ha una durata di almeno 5 anni. La batteria scarica determina malfunzionamento dell'RTC, che viene reimpostato ad ogni accensione. Un messaggio di avviso apparirà quando la batteria dovrà essere sostituita. La batteria non deve essere sostituita a meno che non sia necessario.

Se la batteria deve essere sostituita, contattare www.axis.com/techsup per assistenza.

⚠AVVERTENZA

- Smaltire le batterie usate secondo le istruzioni del produttore.

AVVISO

- Rischio di esplosione se la batteria non viene sostituita correttamente.
- Sostituire solo con una batteria identica o equivalente, come raccomandato dal produttore.

AXIS Q87-E Guida all'installazione

Questa Guida all'installazione fornisce le istruzioni necessarie per installare la telecamera doppia di rete AXIS Q8721-E o la telecamera doppia di rete AXIS Q8722-E nella rete desiderata. Per tutte le altre informazioni relative all'uso del prodotto, consultare i Manuali per l'utente, disponibili sul sito www.axis.com

Procedura di installazione

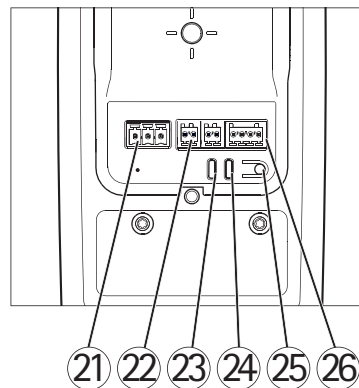
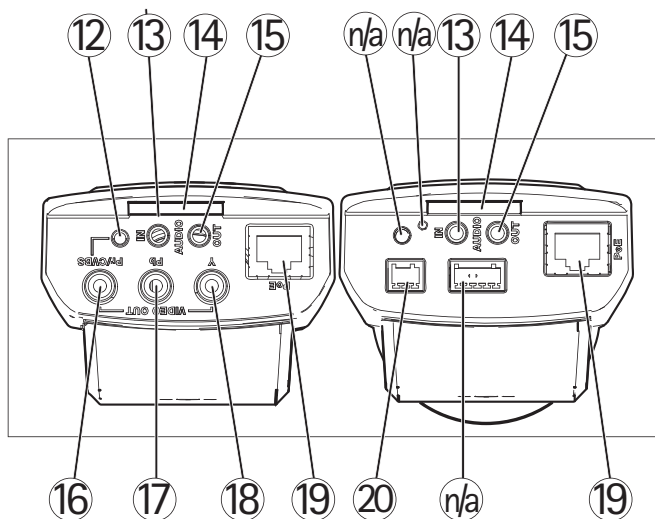
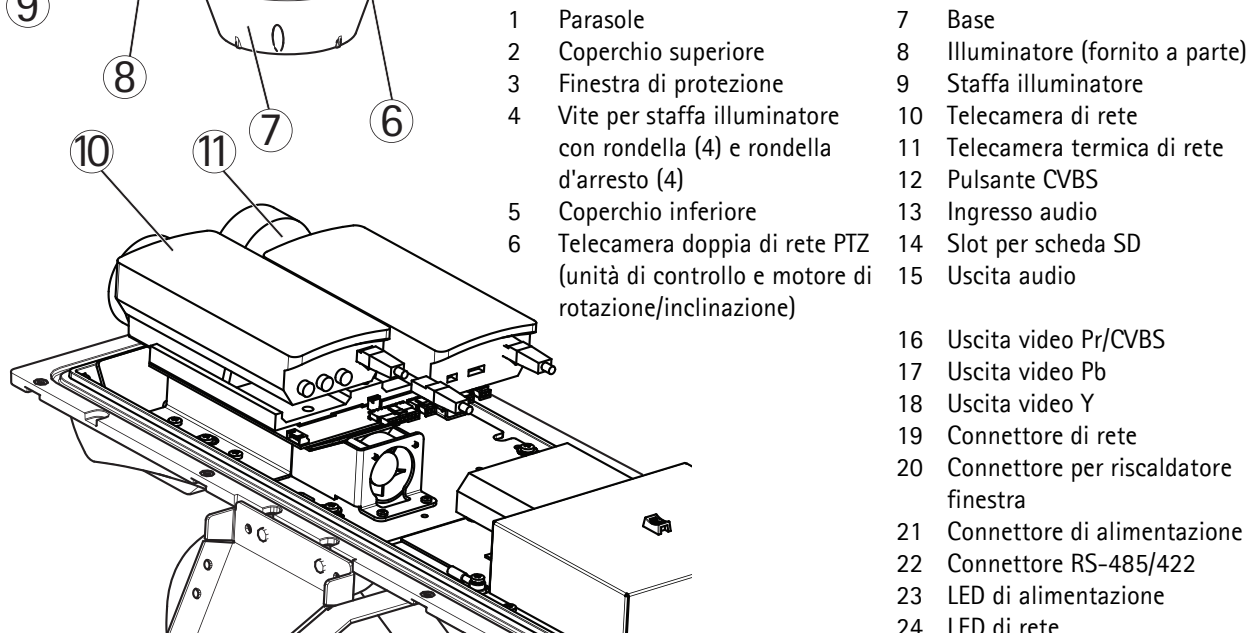
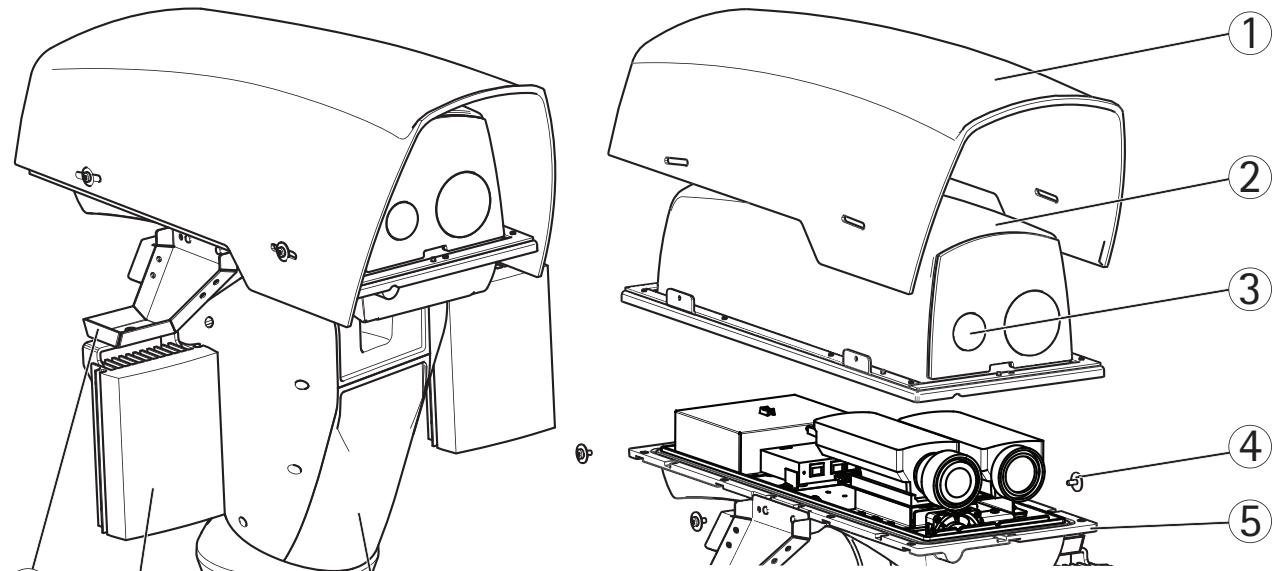
1. Controllare il contenuto della confezione con l'elenco che segue.
2. Panoramica dell'hardware. Vedere la pagina 87.
3. Installazione dell'hardware.
 - Installazione dell'alimentatore (acquistabile a parte), vedere pagina 88.
 - Installazione della staffa (acquistabile a parte), vedere pagina 89.
 - Fissare la base alla staffa, vedere pagina 91.
 - Fissare la telecamera doppia di rete PTZ alla base, vedere pagina 94.
 - Installazione degli Illuminatori (acquistabile a parte), vedere pagina 97.
 - Installazione dei contrappesi, vedere pagina 95.
4. Configurazione. Vedere la pagina 98.
5. Accesso al flusso video. Vedere la pagina 99.

1 Contenuto della confezione

Elemento	Modelli/varianti/note
Telecamera doppia di rete PTZ	AXIS Q8721-E, comprende AXIS Q1755 e AXIS Q1921 AXIS Q8722-E, comprende AXIS Q1755 e AXIS Q1922 Unità di controllo e motore di rotazione/inclinazione Parasole
Base	Base per la telecamera doppia di rete PTZ
Contrappesi	Contrappesi per il bilanciamento dell'unità di controllo rotazione/inclinazione (se non si usano illuminatori)
Accessori di montaggio	Kit di montaggio parasole Kit di montaggio base
CD	CD d'installazione e gestione
Materiali stampati	AXIS Q87-E Guida all'installazione (questo documento) Documento di garanzia Axis Etichette aggiuntive con numero di serie (2x)
Accessori necessari	Alimentatore (230 V/120 V) con sensore diurno/notturno incorporato (acquistabile a parte) Staffa a parete o staffa per colonna (acquistabile a parte)
Accessori opzionali	Staffa per il montaggio ad angolo o su palo Illuminatori IR Display d'installazione Axis Visitare il sito web www.axis.com per informazioni sugli accessori disponibili

Elemento	Modelli/varianti/note
Strumenti necessari (non inclusi)	Attrezzo di piegatura RJ45 Set di chiavi a brugola Set di tasselli Trapano con punte adatte alla superficie di montaggio Frenafilietti Loctite 243®

2 Panoramica dell'hardware



- | | | | |
|---|---|-----|--------------------------------------|
| 1 | Parasole | 7 | Base |
| 2 | Coperchio superiore | 8 | Illuminatore (fornito a parte) |
| 3 | Finestra di protezione | 9 | Staffa illuminatore |
| 4 | Vite per staffa illuminatore con rondella (4) e rondella d'arresto (4) | 10 | Telecamera di rete |
| 5 | Coperchio inferiore | 11 | Telecamera termica di rete |
| 6 | Telecamera doppia di rete PTZ (unità di controllo e motore di rotazione/inclinazione) | 12 | Pulsante CVBS |
| | | 13 | Ingresso audio |
| | | 14 | Slot per scheda SD |
| | | 15 | Uscita audio |
| | | 16 | Uscita video Pr/CVBS |
| | | 17 | Uscita video Pb |
| | | 18 | Uscita video Y |
| | | 19 | Connettore di rete |
| | | 20 | Connettore per riscaldatore finestra |
| | | 21 | Connettore di alimentazione |
| | | 22 | Connettore RS-485/422 |
| | | 23 | LED di alimentazione |
| | | 24 | LED di rete |
| | | 25 | Pulsante di comando |
| | | 26 | Connettore I/O |
| | | n/a | Non utilizzato |

3 Installazione dell'hardware

Per informazioni sui connettori delle telecamere, comportamento dei LED, ecc., vedere i rispettivi Manuali dell'utente.

Installazione dell'alimentatore (acquistabile a parte)

⚠ AVVERTENZA

L'alimentazione di rete deve essere staccata durante l'installazione.

AVVISO

Utilizzare l'alimentatore specifico del prodotto. L'uso di un altro alimentatore invalida la garanzia e potrebbe danneggiare l'unità.

Importante

Il sensore diurno/notturno è fissato all'alimentatore (fornito a parte). Se si intende utilizzare il sensore, sistemare l'alimentatore in modo che il sensore possa rilevare i cambiamenti di luce.

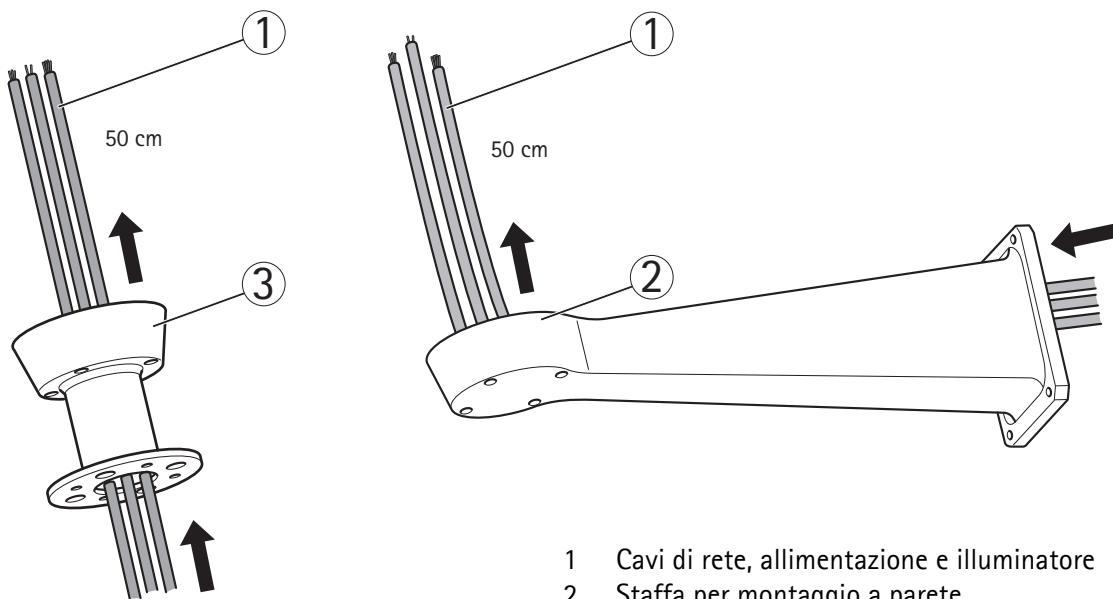
1. Installare l'alimentatore seguendo le istruzioni fornite a corredo.

Installazione della staffa (acquistabile a parte)

1. Preparare una parete, parapetto o un palo per l'installazione dell'apposita staffa (acquistabile a parte). Visitare il sito web www.axis.com per informazioni sugli accessori di montaggio disponibili.
2. Far passare i cavi di rete, d'alimentazione e, se presente, dell'illuminatore attraverso la staffa. Lasciare circa 50 cm di cavo per il collegamento alla base.

AVVISO

A causa di normative locali o condizioni ambientali ed elettriche in cui il prodotto deve essere utilizzato, può essere opportuno o necessario l'utilizzo di un cavo di rete schermato (STP). Tutti i cavi di rete installati in ambienti esterni o simili devono essere schermati (STP) e concepiti per l'uso specifico. Assicurarsi che lo switch di rete sia correttamente messo a terra. Vedere *Electromagnetic Compatibility (EMC)* per i requisiti normativi.



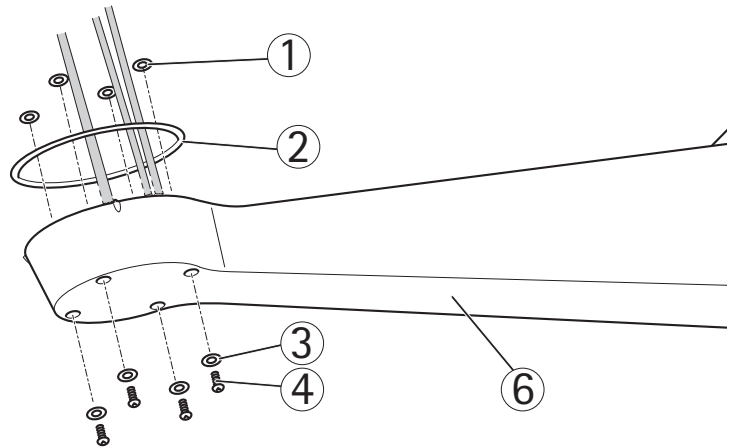
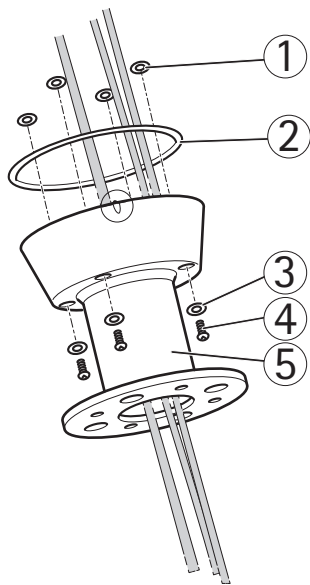
- 1 Cavi di rete, alimentazione e illuminatore
- 2 Staffa per montaggio a parete
- 3 Staffa per colonna

3. Installare la staffa scelta. Verificare che le viti e i tasselli siano adatti per il materiale (p.es. legno, metallo, cartongesso, pietra). Assicurarsi che la staffa sia correttamente fissata e che il materiale sia adatto a sostenere un peso di 35 kg.

Importante

- Assemblare il prodotto in posizione verticale. Attenzione a non installarlo capovolto.
- Quando si fissa la staffa ad una superficie in cemento, utilizzare dei tasselli con una coppia di trazione nominale di ≥ 300 dN.
- Quando si fissa la staffa ad una superficie di metallo, utilizzare viti con un diametro di almeno 8 mm.

4. Montare le viti, le rondelle e le tenute delle viti.
5. Mettere in posizione la tenuta.



- | | | | |
|---|----------------------|---|-------------------------------|
| 1 | Tenuta per vite (4x) | 4 | Vite (4) |
| 2 | Tenuta | 5 | Staffa per colonna |
| 3 | Rondella (4) | 6 | Staffa per montaggio a parete |

Fissare la base alla staffa

1. Togliere il sacchetto essiccante, che si trova nella base.
2. Assicurarsi che la tenuta sia in posizione.
3. Dirigere i cavi di rete, d'alimentazione e, se presente, dell'illuminatore attraverso i rispettivi premistoppa nella base.

Importante

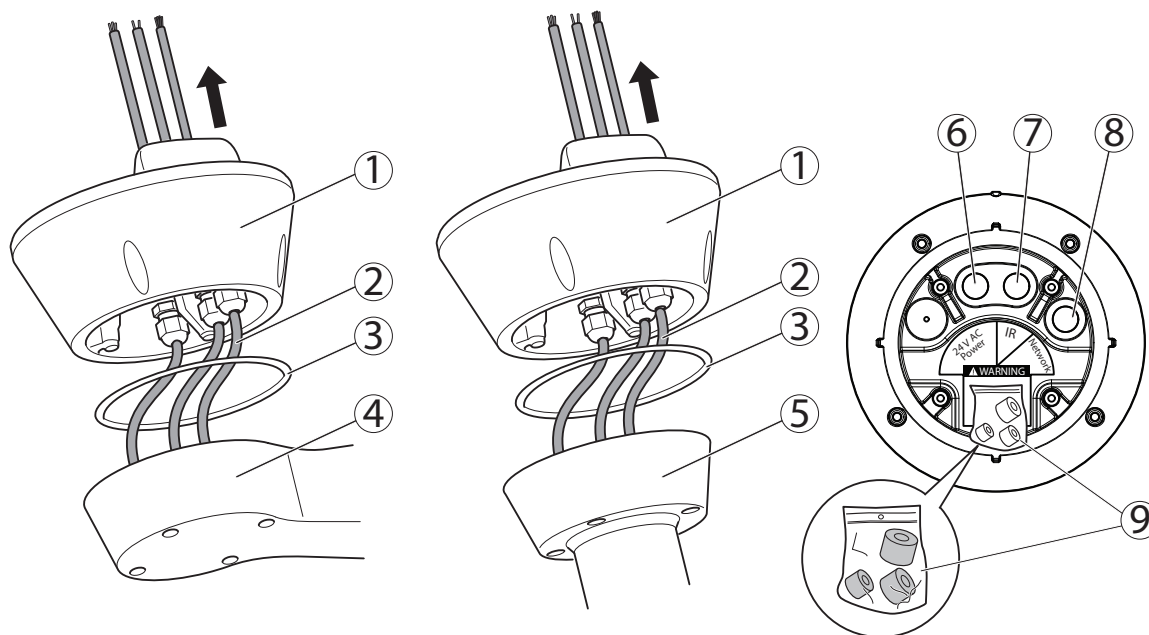
Il pressacavo per il cavo di alimentazione, e per il cavo dell'illuminatore ha una guarnizione pre-montata adatta per cavi del diametro da 5mm a 10mm.

Il pressacavo per il cavo di rete ha una guarnizione adatta per cavi del diametro da 3mm a 7mm. Per cavi con diametro da 5mm a 10mm utilizzare le guarnizioni supplementari fornite in dotazione.

4. Avvitare saldamente i cappucci dei premistoppa.

AVVISO

Per mantenere la classificazione IP del prodotto e ridurre la deformazione del cavo stringere adeguatamente i tappi del pressacavo.



- | | | | |
|---|--|-----|--|
| 1 | Base | 5 | Staffa per colonna |
| 2 | Cavi di rete, alimentazione e illuminatore | 6 | Cavo di alimentazione (24 V CA) |
| 3 | Tenuta | 7 | Cavo illuminatore |
| 4 | Staffa per montaggio a parete | 8 | Cavo di rete |
| | | 9 | Guarnizioni supplementari in dotazione |
| | | 10. | Guarnizione |

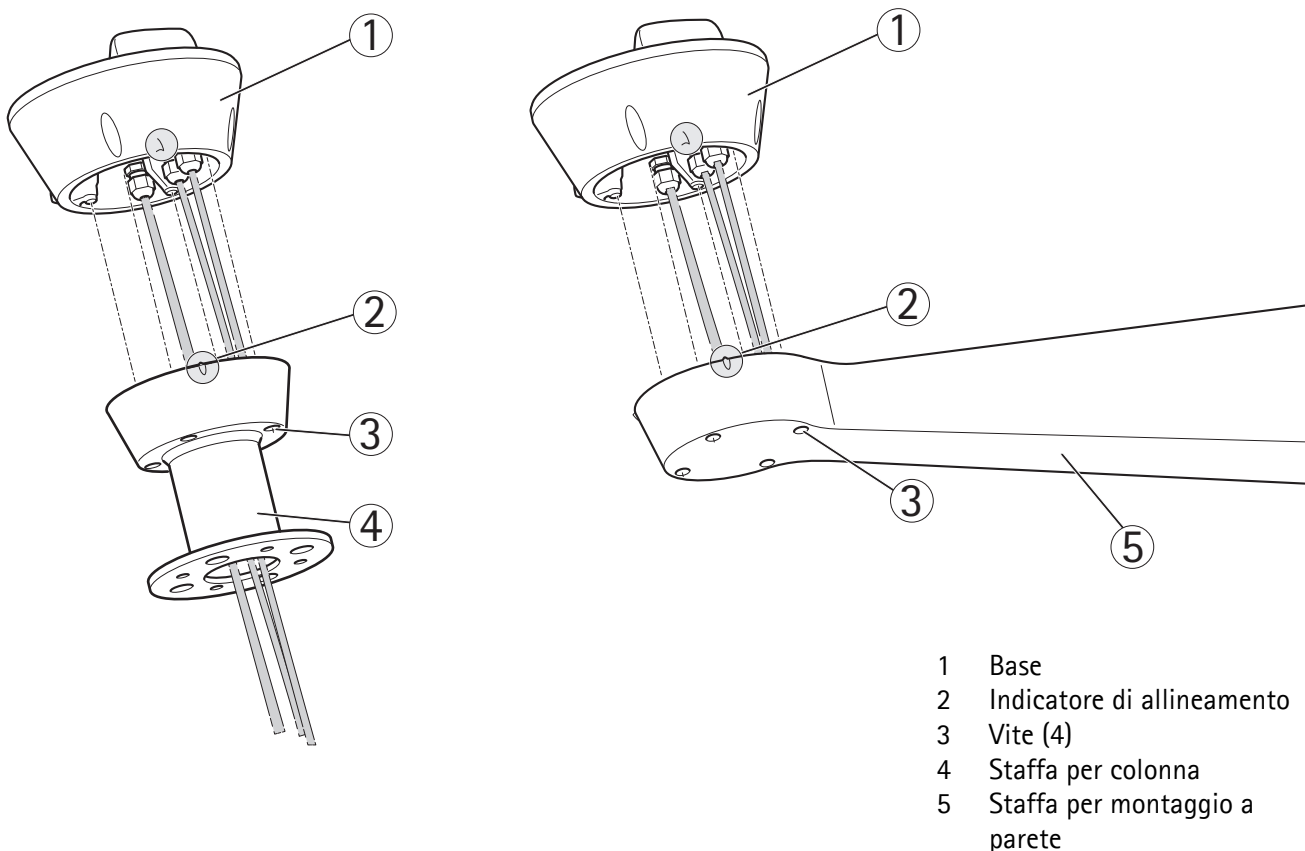
5. Fissare la base alla staffa e serrare le viti (coppia di 4 Nm).

AVVISO

Applicare il frenafilietti Loctite 243® sulle viti.

Importante

La base può essere fissata alla staffa in quattro diverse posizioni. Utilizzare gli indicatori di allineamento sulle diverse unità per trovare una posizione adatta che consenta l'accesso alla scheda di configurazione, che può essere raggiunta per semplificare l'accesso al connettore di rete, vedi figura a pagina 93. Ciò è utile per individuare e risolvere problemi o per collegare un display di installazione AXIS. I dip switch sono configurati con il corretto protocollo PTZ in fabbrica e non devono essere cambiati.

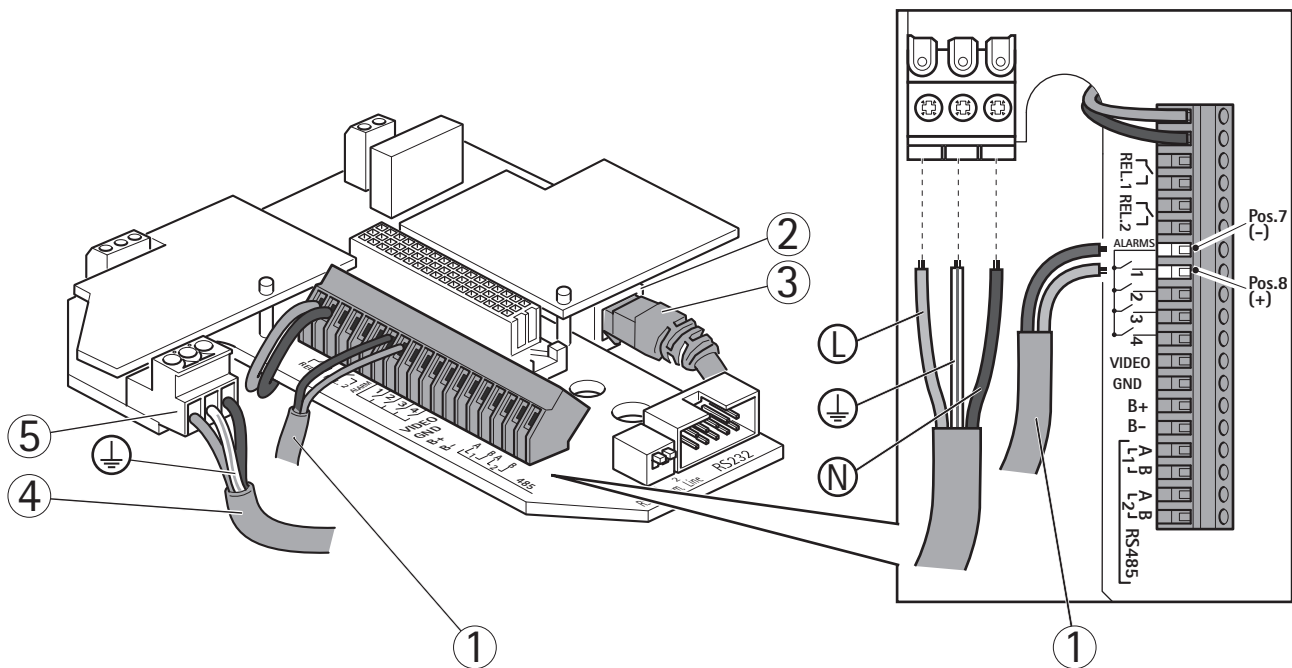


6. Ove applicabile, collegare il cavo illuminatore al connettore (ALLARMI e 1) sulla base.
7. Servendosi di un attrezzo di piegatura RJ45, spellare e piegare il cavo di rete in base alle istruzioni del costruttore.
8. Collegare il cavo di rete al relativo connettore sulla base.

AVVISO

Utilizzare l'alimentatore specifico del prodotto. L'uso di un altro alimentatore invalida la garanzia e potrebbe danneggiare l'unità.

9. Collegare il cavo di alimentazione da 24 V CA al relativo connettore sulla base. Assicurarsi che il cavo di rete giallo/verde sia collegato al perno centrale. Per facilitare l'installazione, è possibile rimuovere il connettore dalla scheda elettronica e rimontarlo quando i cavi sono stati correttamente collegati.



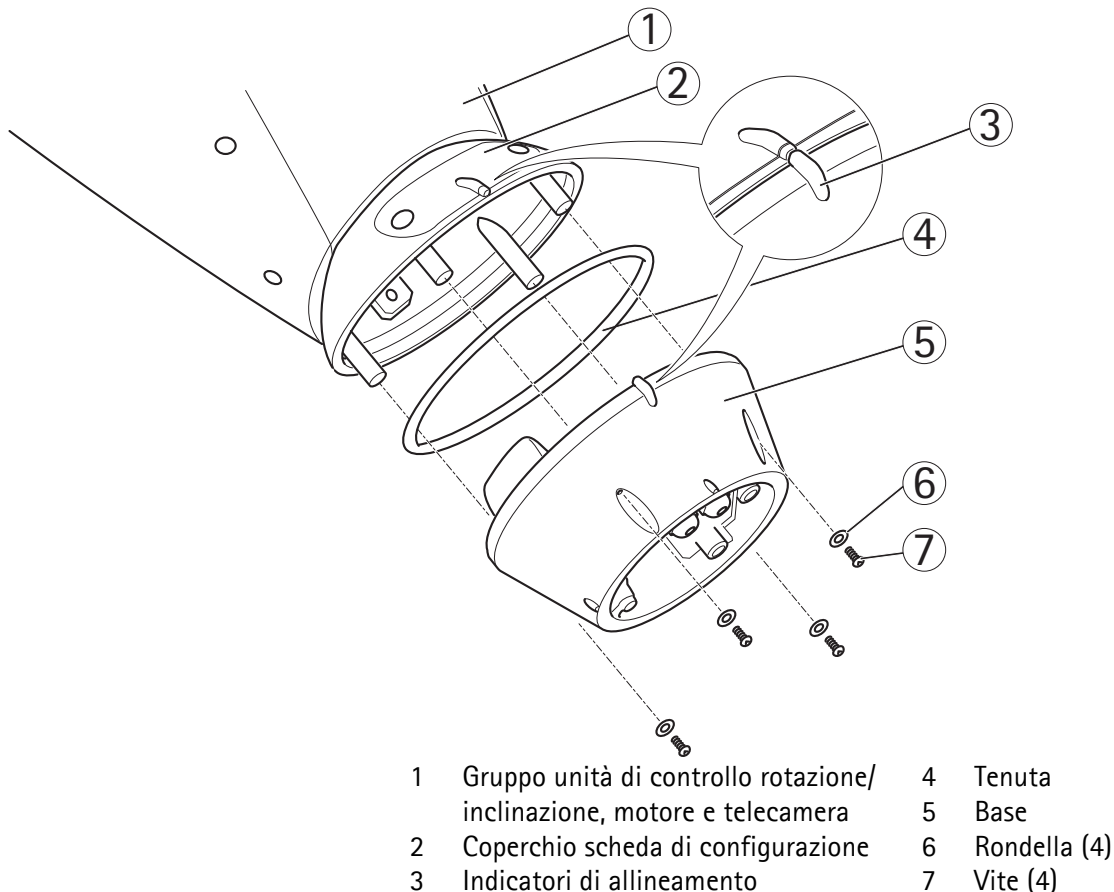
- | | | | |
|---|--------------------|---|--|
| 1 | Cavo illuminatore | 4 | Cavo di alimentazione (24 V CA, blu - L, giallo/verde - \perp , marrone - N) |
| 2 | Connettore di rete | 5 | Connettore di alimentazione (24 V CA) |
| 3 | Cavo di rete | | |

Fissare la telecamera doppia di rete PTZ alla base

1. Assicurarsi che la tenuta sia in posizione.
2. Rimuovere il parasole, posizionato sopra senza essere fissato, dal coperchio superiore.
3. Fissare il gruppo unità di controllo rotazione/inclinazione, motore e telecamera alla base e serrare le viti (coppia di 4 Nm).

AVVISO

Utilizzare gli appositi indicatori per allinere le unità. L'errato allineamento potrebbe causare il danneggiamento dei componenti.



4. Puntare la telecamera di rete PTZ doppia sul punto interessato e se necessario mettere a fuoco la telecamera termica di rete, vedi *Regolazione della messa a fuoco - AXIS Q1921/AXIS Q1922*, a pagina 99. Vedi *Accesso al flusso video*, a pagina 99 e il CD con le utility software di installazione e gestione per le informazioni su come visualizzare il flusso video.
5. Installare i contrappesi, vedi *Installazione dei contrappesi*, a pagina 95 o installare gli illuminatori selezionati (forniti a parte), vedi pagina 97. Gli illuminatori LED a infrarossi sono disponibili come accessori, vedi www.axis.com per le informazioni sugli illuminatori disponibili.

AVVISO

L'installazione dei contrappesi o degli illuminatori è mutualmente esclusiva. Non è possibile l'installazione di entrambi contemporaneamente. Qualsiasi simile tentativo invaliderà la garanzia costituendo un rischio per l'unità.

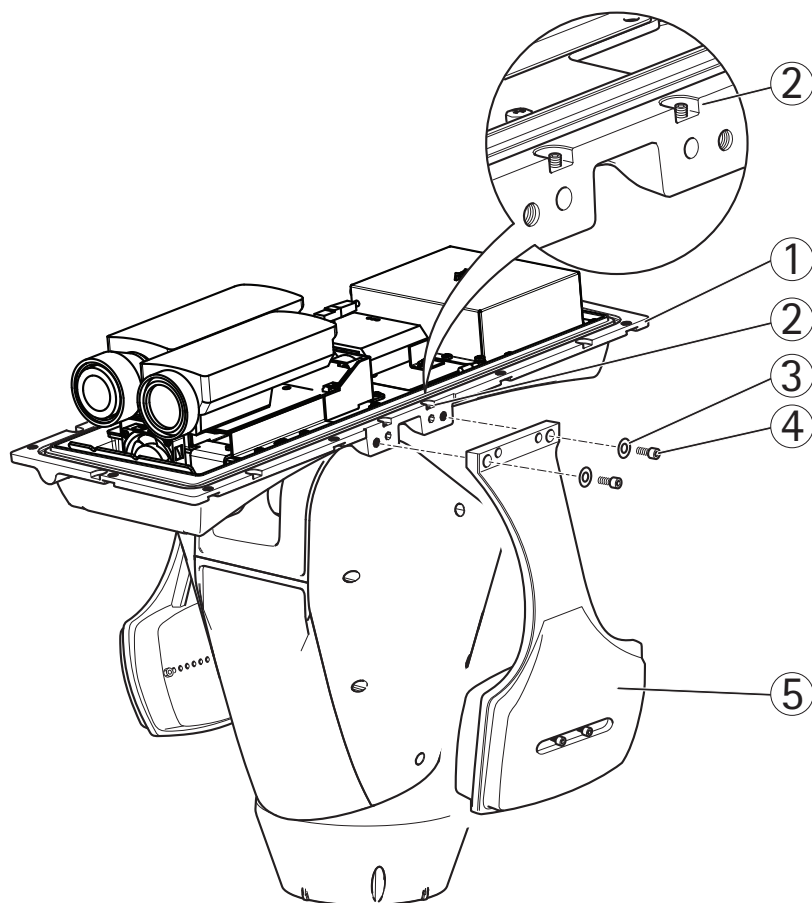
Installazione dei contrappesi

1. Svitare le viti del coperchio inferiore e togliere il coperchio superiore, vedi figura a pagina 96.
2. Fissare i contrappesi al coperchio inferiore servendosi delle viti e rondelle fornite (coppia di 4 Nm).

AVVISO

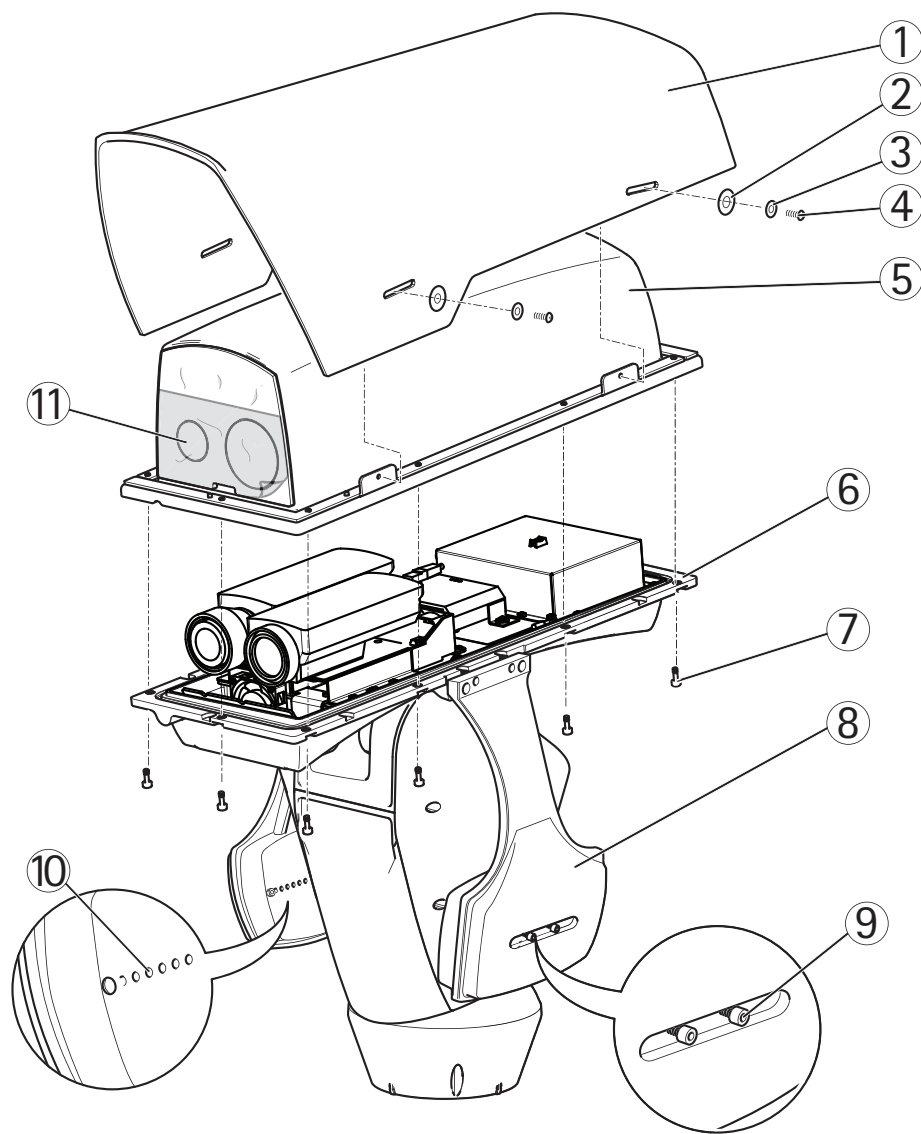
Applicare il frenafilietti Loctite 243® sulle viti.

3. Fissare i contrappesi con le viti di fermo fornite (coppia di 4 Nm)



- 1 Coperchio inferiore
- 2 Vite di fermo (4)
- 3 Rondella (4)
- 4 Vite (4)
- 5 Contrappeso (2)

4. Fissare il coperchio superiore a quello inferiore. Assicurarsi di serrare le viti del coperchio inferiore in modo diagonalmente opposto di qualche giro alla volta finché non sono tutte serrate (coppia 4 Nm). Questo aiuta a garantire che la guarnizione del coperchio inferiore sia compressa in modo uniforme.
 5. Fissare il parasole al coperchio superiore.
 6. Allentare le viti di fermo del contrappeso e regolare la posizione dei pesi nella posizione desiderata. Le posizioni dei pesi devono essere identiche.
- Nota:** Il gruppo di rotazione/inclinazione deve rimanere bilanciato perché la funzione di rotazione/inclinazione si svolga correttamente. Verificare il bilanciamento facendo delicatamente oscillare l'alloggiamento.
7. Rimuovere la plastica protettiva dalla finestra di protezione.



- | | | | |
|---|------------------------|----|-------------------------------|
| 1 | Parasole | 7 | Vite coperchio inferiore (10) |
| 2 | Rondella (4) | 8 | Contrappeso |
| 3 | Rondella d'arresto (4) | 9 | Viti di fermo contrappeso |
| 4 | Vite parasole (4) | 10 | Fori di posizionamento |
| 5 | Coperchio superiore | 11 | Plastica protettiva |
| 6 | Coperchio inferiore | | |

- Inserire l'alimentazione di rete. L'unità di controllo di rotazione/inclinazione comincerà a ruotare e le telecamere si accenderanno dopo circa 30 secondi. Con temperature basse, si potrebbe verificare un ritardo dovuto alla procedura di sghiacciamento, vedi *Sensore diurno/notturno*, a pagina 98.

⚠ ATTENZIONE

È rischioso per le mani toccare il prodotto mentre è in movimento.

Installazione degli Illuminatori (acquistabile a parte)

Consultare la Guida di installazione fornita con gli illuminatori per istruzioni su come installarli (forniti a parte).

Video composito (opzionale AXIS Q1755)

Per informazioni su come collegare l'ingresso/uscita del video composito, vedi Manuale dell'utente AXIS Q1755.

4 Configurazione

Per informazioni su come assegnare un indirizzo IP ed avere accesso al prodotto, vedi *Accesso al flusso video*, a pagina 99 e il CD con il software di installazione e gestione.

PTZ

La funzione PTZ è controllata dalla telecamera di rete. I controlli PTZ saranno disponibili nella pagina Live View delle pagine web della telecamera di rete dopo aver attivato la funzione PTZ. Vedere il Manuale dell'utente sul sito www.axis.com

Sensore diurno/notturno

Il sensore diurno/notturno è fissato all'alimentatore (acquistabile a parte).

Il prodotto è configurato in fabbrica per fornire di prestazioni ottimali in un'ampia varietà di condizioni. Tuttavia, le impostazioni si possono cambiare per meglio adattarle alle condizioni specifiche d'uso.

Per regolare la sensibilità del sensore diurno/notturno, ruotare il potenziometro finché non raggiunge la soglia desiderata. Ruotare il potenziometro in senso orario per aumentare la soglia e anticipare l'interruttore in modalità notturna. Ruotare il potenziometro in senso antiorario per ridurre la soglia e ritardare l'interruttore in modalità notturna. L'interruttore in modalità notturna metterà in funzione gli illuminatori (forniti a parte).

Sghiacciamento

La procedura automatica di sghiacciamento del prodotto comincia quando la temperatura scende sotto gli 0°C, sempre che esso sia acceso. La procedura di sghiacciamento assicura che il prodotto funzioni correttamente anche a basse temperature. Il tempo di sghiacciamento dura 90 minuti e durante questo periodo entrambe le telecamere sono spente.

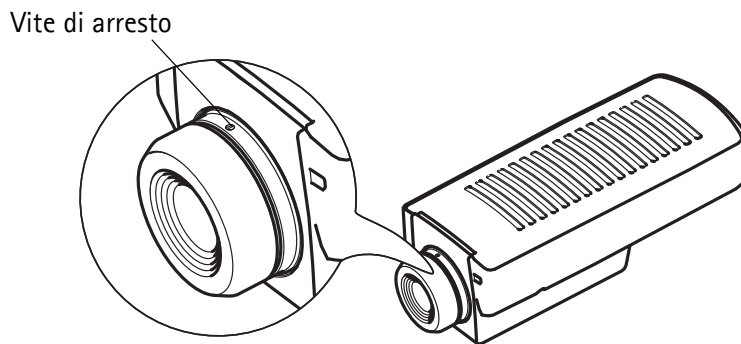
5 Accesso al flusso video

Utilizzare le utility contenute nel CD del software d'installazione e gestione per assegnare un indirizzo IP, impostare la password ed accedere al flusso video. Queste informazioni sono disponibili anche sulle pagine dedicate all'assistenza sul sito www.axis.com/techsup

Regolazione della messa a fuoco - AXIS Q1921/AXIS Q1922

Se necessario, seguire queste istruzioni per mettere a fuoco la telecamera termica di rete:

1. Svitare la vite d'arresto dell'obiettivo con un cacciavite scanalato da 1,8 mm.



2. Mettere a fuoco la telecamera alla distanza appropriata. Vedere la tabella che segue per le distanze focali raccomandate per ottenere una messa a fuoco ottimale per le immagini a distanza ravvicinata e infinita..

Telecamera e obiettivo	35 mm	60 mm
AXIS Q1921	22 m	60 m
AXIS Q1922	33 m	90 m

3. Fissare la vite d'arresto.

Nota

La telecamera di rete ha un obiettivo con autofocus che non può essere regolato manualmente.

Ripristino delle impostazioni predefinite

Questa procedura consente di ripristinare le impostazioni predefinite di fabbrica per tutti i parametri, incluso l'indirizzo IP.

1. Scollegare l'alimentazione dalla telecamera.
2. Tenere premuto il pulsante di controllo e ricollegare l'alimentazione.
3. Tenere premuto il pulsante di comando fino a quando l'indicatore di stato non inizia a lampeggiare in giallo (l'operazione può richiedere fino a 15 secondi).
4. Rilasciare il pulsante di comando. Quando l'indicatore di stato diventa verde (l'operazione può richiedere fino a 1 minuto) la procedura è completata e sono state ripristinate le impostazioni predefinite per la telecamera.
5. Riassegnare l'indirizzo IP.

È possibile inoltre reimpostare i parametri alle impostazioni predefinite in fabbrica mediante l'interfaccia web. Per ulteriori informazioni, consultare la Guida in linea o la Guida per l'utente.

Risoluzione dei problemi

Questa tabella riguarda solo le unità di rotazione/inclinazione e di illuminazione. Per la risoluzione dei problemi delle telecamere di rete, vedere i rispettivi Manuali dell'Utente.

⚠ WARNING

Staccare l'alimentazione di rete prima di eseguire qualsiasi intervento di manutenzione.

Il prodotto non è in funzione	Assicurarsi che le connessioni siano corrette.
Il prodotto non si muove	Assicurarsi che il cavo di alimentazione sia intatto e correttamente collegato.
	Durante la procedura di sghiacciamento la funzione di rotazione/inclinazione è disattivata, vedi <i>Sghiacciamento</i> , a pagina 98.
Il prodotto si muove ma non risponde ai comandi	Verificare che la funzione PTZ sia attiva, vedi <i>PTZ</i> , a pagina 98.
	Assicurarsi che il cavo RS-485 sia intatto e correttamente collegato.
Gli illuminatori non si accendono quando si passa dalla modalità diurna a quella notturna.	Assicurarsi che tutte le connessioni siano corrette.
	Accertarsi che il sensore diurno/notturno sia posizionato in modo che possa rilevare i cambiamenti di luce diurna.
	Regolazione del potenziometro, vedi <i>Sensore diurno/notturno</i> , a pagina 98.

Specifiche tecniche

Per le specifiche tecniche delle telecamere di rete, vedere i rispettivi Manuali dell'Utente.

Funzione/gruppo	Elemento	Specifiche
Telecamera	Modello	AXIS Q8721-E, include AXIS Q1755 e AXIS Q1921 AXIS Q8722-E, include AXIS Q1755 e AXIS Q1922
Caratteristiche generali	Rotazione/ inclinazione	Rotazione: 360° senza interruzioni, 0,1° - 20°/s Inclinazione: da +45° a -20°, 0,1° - 20°/s
	Protocollo	Pelco D
	Predefinitone dell'accuratezza	0.02°
	Involucro	Involucro in alluminio, parasole in ABS PMMA Classe IP66 Colore: RAL 9002
	Alimentazione	24 V CA 50/60 Hz, 200 W forniti dall'alimentatore (acquistabile a parte) 230/120 V CA 50/60 Hz con sensore diurno/notturno incorporato
	Condizioni operative	da -30°C a 45°C Umidità relativa 10% - 100% (con condensa)
	Approvazioni	EN 55022 Classe A, EN 55024, EN 61000-6-1, EN 61000-6-2 FCC Part 15 Sottosezione B Classe A, dimostrata dalla conformità a EN 55022 ICES-003 Classe A, dimostrata dalla conformità a EN 55022 C-tick AS/NZS CISPR 22, dimostrata dalla conformità a EN 55022 EN 61000-3-2, EN 61000-3-3 EN 60950-1, EN 60950-22 IEC/EN 60529 IP66
	Peso	28,5 kg
	Accessori inclusi	CD d'installazione e gestione Decodificatore Windows con 1 licenza utente
	Accessori necessari	Alimentatore (230 V/120 V) con sensore diurno/notturno incorporato (fornito a parte) Staffa a parete o staffa per colonna (fornita a parte)
Accessori opzionali	Montaggio ad angolo e su palo Illuminatore IR Display per l'installazione AXIS Camera Station e software per la gestione video dei partner ADP di Axis.	

Ulteriori Informazioni

Visitare il sito di Axis all'indirizzo www.axis.com/techsup per verificare se sono stati pubblicati aggiornamenti del firmware per il proprio prodotto di rete. Per conoscere la versione installata del firmware, vedere **Configurazione > Informazioni su**.

Per utili corsi di formazione, webinar, tutorial e guide, visitare il centro di apprendimento di Axis all'indirizzo www.axis.com/academy

Garanzia

Per informazioni relative alla garanzia del prodotto AXIS ed ogni altra ulteriore informazione correlata, si prega di consultare la pagina www.axis.com/warranty

Installation Guide

AXIS Q87-E

© Axis Communications AB, 2014

Rev. 2.3

Printed: April 2014

Part No. 57838