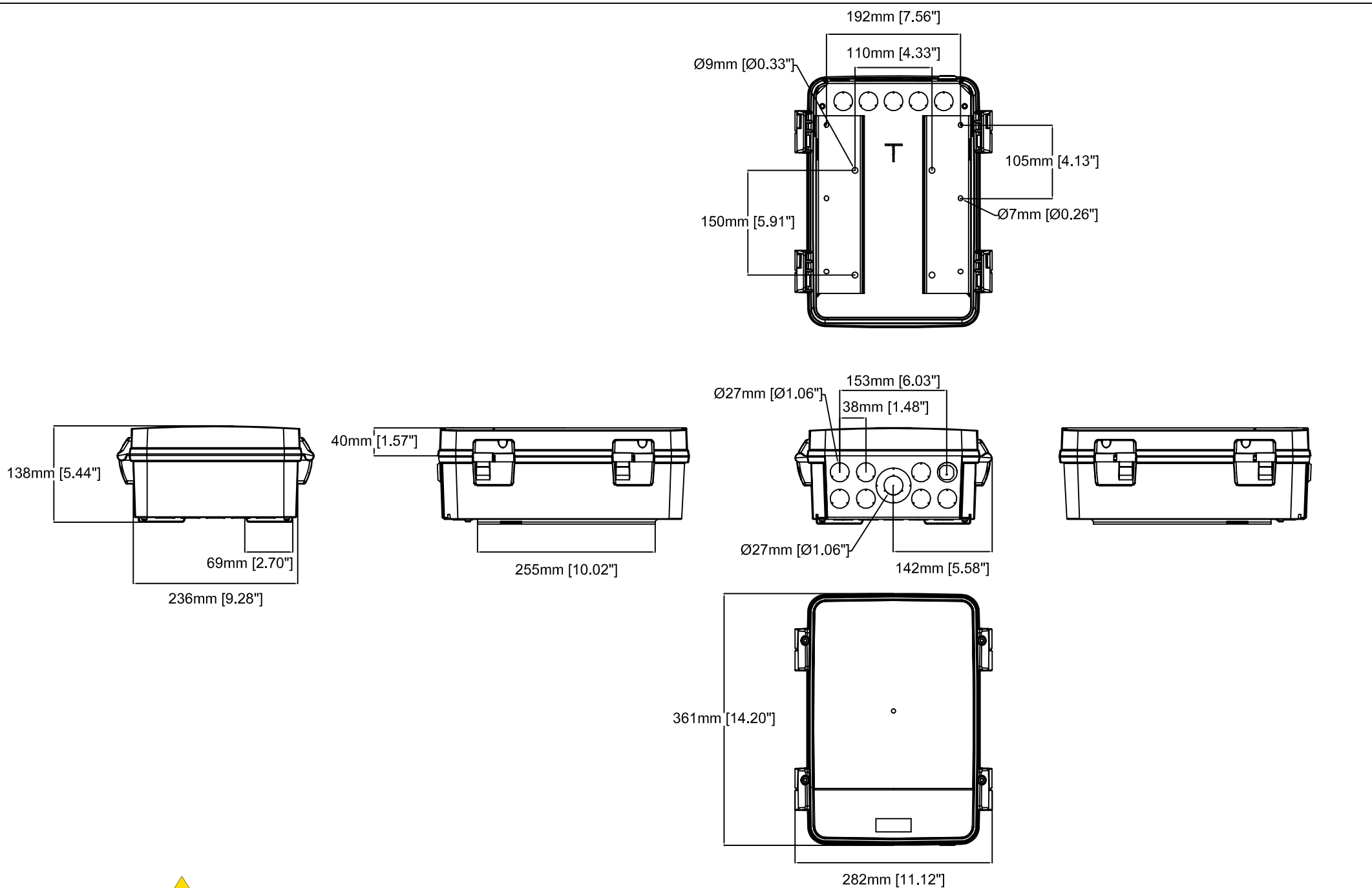


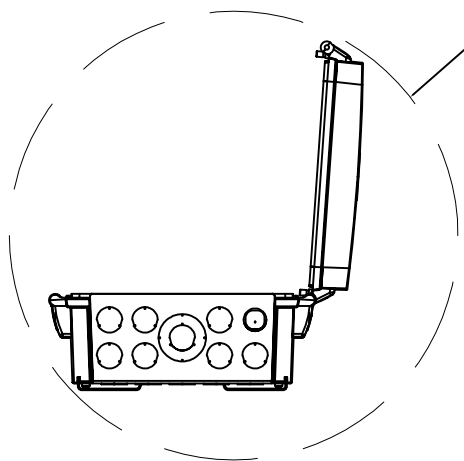
AXIS T98A15-VE Surveillance Cabinet

Revision	v.01	Revision date	2017-10-18
Paper size	A4	Release date	2012-06-30
Created by	JOT	Scale	1:5

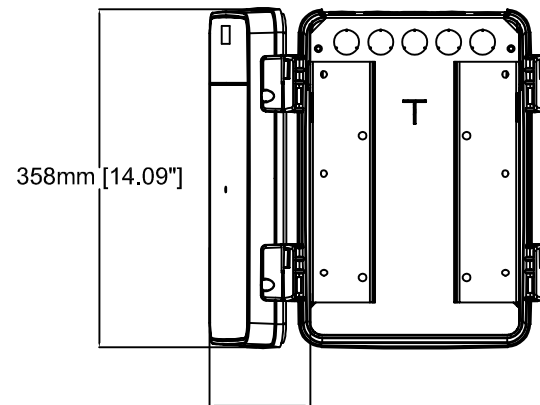


AXIS T98A15-VE Surveillance Cabinet

Revision	v.01	Revision date	2017-10-19
Paper size	A4	Release date	2012-06-30
Created by	JOT	Scale	1:7

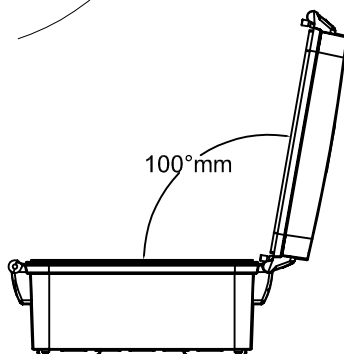


Cabinet Door, T98A05,
can be installed on either side of the cabinet.



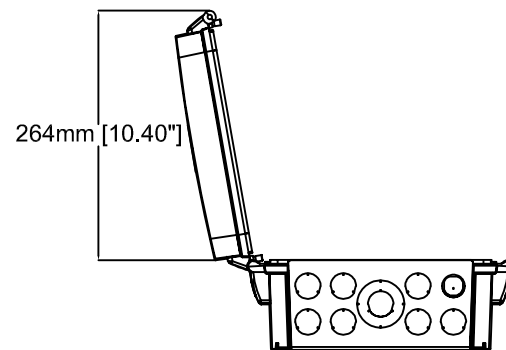
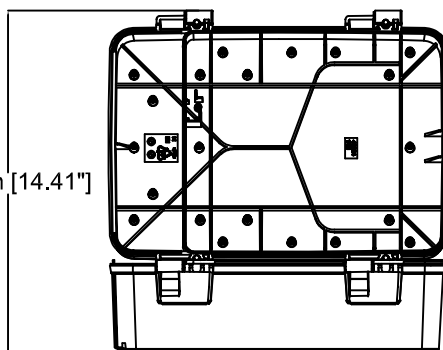
358mm [14.09"]

107mm [4.19"]

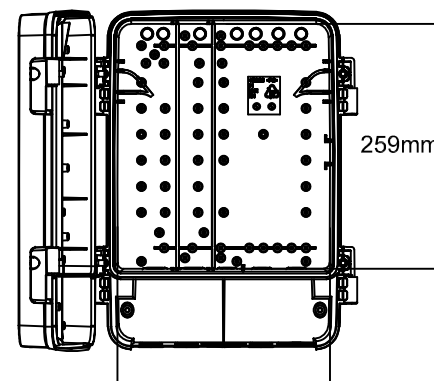
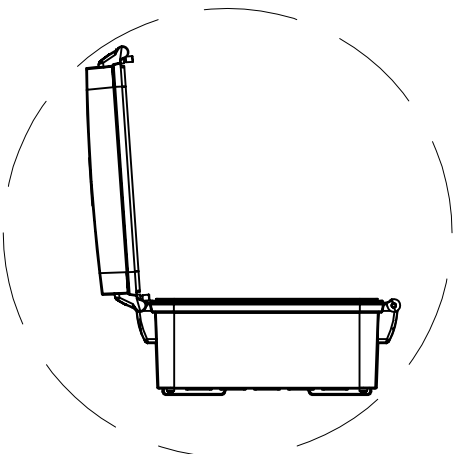
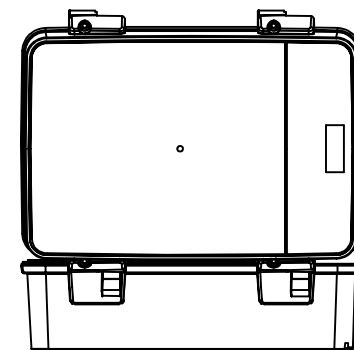


100°mm

366mm [14.41"]



264mm [10.40"]



259mm [10.20"]

225mm [8.85"]



AXIS T98A15-VE Surveillance Cabinet

Revision	v.01	Revision date	2017-10-19
Paper size	A4	Release date	2012-06-30
Created by	JOT	Scale	1:8