

AXIS T8127 60 W Splitter 12/24 V DC

Installation Guide

English	EN
---------	----

France: Français	FR
------------------	----

Deutschland: Deutsch	DE
----------------------	----

Italia: Italiano	IT
------------------	----

España: Español	ES
-----------------	----

日本: 日本語	JA
---------	----

中文: 简体中文	ZH
----------	----

Legal considerations

Video and audio surveillance can be regulated by laws that vary from country to country. Check the laws in your local region before using this product for surveillance purposes.

Liability

Every care has been taken in the preparation of this document. Please inform your local Axis office of any inaccuracies or omissions. Axis Communications AB cannot be held responsible for any technical or typographical errors and reserves the right to make changes to the product and manuals without prior notice. Axis Communications AB makes no warranty of any kind with regard to the material contained within this document, including, but not limited to, the implied warranties of merchantability and fitness for a particular purpose. Axis Communications AB shall not be liable nor responsible for incidental or consequential damages in connection with the furnishing, performance or use of this material. This product is only to be used for its intended purpose.

Intellectual property rights

Axis AB has intellectual property rights relating to technology embodied in the product described in this document. In particular, and without limitation, these intellectual property rights may include one or more of the patents listed at axis.com/patent and one or more additional patents or pending patent applications in the US and other countries.

Equipment modifications

This equipment must be installed and used in strict accordance with the instructions given in the user documentation. This equipment contains no user-serviceable components. Unauthorized equipment changes or modifications will invalidate all applicable regulatory certifications and approvals.

Trademark acknowledgements

AXIS COMMUNICATIONS, AXIS and VAPIX are registered trademarks or trademark applications of Axis AB in various jurisdictions. All other company names and products are trademarks or registered trademarks of their respective companies.

Regulatory information

Europe



This product complies with the applicable CE marking directives and harmonized standards:

- Restriction of Hazardous Substances (RoHS) Directive 2011/65/EU, including any amendments, updates or replacements. See *Disposal and recycling on page 5*.

A copy of the original declaration of conformity may be obtained from Axis Communications AB. See *Contact information on page 5*.

Electromagnetic compatibility (EMC)

This equipment has been designed and tested to fulfill applicable standards for:

- Radio frequency emission when installed according to the instructions and used in its intended environment.
- Immunity to electrical and electromagnetic phenomena when installed according to the instructions and used in its intended environment.

USA

This device complies with part 15 of the FCC Rules. Operation is subject to the following two conditions:

1. This device may not cause harmful interference, and
2. this device must accept any interference received, including interference that may cause undesired operation.

This equipment has been tested and found to comply with the limits for a Class B digital device, pursuant to part 15 of the FCC Rules. These limits are designed to provide reasonable protection against harmful interference in a residential installation. This equipment generates, uses and can radiate radio frequency energy and, if not installed and used in accordance with the instructions, may cause harmful interference to radio communications. However, there is no guarantee that interference will not occur in a particular installation. If this equipment does cause harmful interference to radio or television reception, which can be determined by turning the equipment off and on, the user is encouraged to try to correct the interference by one or more of the following measures:

- Reorient or relocate the receiving antenna.
- Increase the separation between the equipment and receiver.
- Connect the equipment into an outlet on a circuit different from that to which the receiver is connected.
- Consult the dealer or an experienced radio/TV technician for help.

The product shall be properly grounded.

Contact information

Axis Communications Inc.
300 Apollo Drive
Chelmsford, MA 01824
United States of America
Tel: +1 978 614 2000

Canada

This digital apparatus complies with CAN ICES-3 (Class B). The product shall be properly grounded. Cet appareil numérique est conforme à la norme CAN NMB-3 (classe B). Le produit doit être correctement mis à la terre.

Europe

This digital equipment fulfills the requirements for RF emission according to the Class B limit of EN 55022. The product shall be properly grounded.

Japan

この装置は、クラスB 情報技術装置です。この装置は、家庭環境で使用することを目的としていますが、この装置がラジオやテレビジョン受信機に近接して使用されると、受信障害を引き起こすことがあります。取扱説明書に従って正しい取り扱いをして下さい。本製品は、適切に接地してください。

Disposal and recycling

When this product has reached the end of its useful life, dispose of it according to local laws and regulations. For information about your nearest designated collection point, contact your local authority responsible for waste disposal. In accordance with local legislation, penalties may be applicable for incorrect disposal of this waste.

Europe



■ This symbol means that the product shall not be disposed of together with household or commercial waste. Directive 2012/19/EU on waste electrical and electronic equipment (WEEE) is applicable in the European Union member states. To prevent potential harm to human health and the environment, the product must be disposed of in an approved and environmentally safe recycling process. For information about your nearest designated collection point, contact your local authority responsible for waste disposal. Businesses should contact the product supplier for information about how to dispose of this product correctly.

This product complies with the requirements of Directive 2011/65/EU on the restriction of the use of certain hazardous substances in electrical and electronic equipment (RoHS).

China



This product complies with the requirements of SJ/T 11364-2014, Marking for the restriction of hazardous substances in electrical and electronic products.

电气安装部分	X	0	0	0	0	0
--------	---	---	---	---	---	---

0: 表示该有毒有害物质在该部件所有均质材料中的含量均在GB/T 26572标准规定的限量要求以下。
X: 表示该有毒有害物质至少在该部件的某一均质材料中的含量超出GB/T 26572标准规定的限量要求。

Contact information

Axis Communications AB
Emdalavägen 14
223 69 Lund
Sweden

Tel: +46 46 272 18 00
Fax: +46 46 13 61 30

axis.com

Support

Should you require any technical assistance, please contact your Axis reseller. If your questions cannot be answered immediately, your reseller will forward your queries through the appropriate channels to ensure a rapid response. If you are connected to the Internet, you can:

- find answers to resolved problems in the FAQ database, search by product, category, or phrase
- report problems to Axis support staff by logging in to your private support area
- chat with Axis support staff
- visit Axis Support at axis.com/support

Learn more!

Visit Axis learning center axis.com/academy for useful trainings, webinars, tutorials and guides.

有毒有害物质或元素						
部件名称	铅 (P-b)	汞 (H-g)	镉 (C-d)	六价铬 (C-r (V-l))	多溴联苯 (P-B-B)	多溴二苯醚 (P-B-D-E)

Safety information

Hazard levels

▲ DANGER

Indicates a hazardous situation which, if not avoided, will result in death or serious injury.

▲ WARNING

Indicates a hazardous situation which, if not avoided, could result in death or serious injury.

▲ CAUTION

Indicates a hazardous situation which, if not avoided, could result in minor or moderate injury.

NOTICE

Indicates a situation which, if not avoided, could result in damage to property.

Other message levels

Important

Indicates significant information which is essential for the product to function correctly.

Note

Indicates useful information which helps in getting the most out of the product.

Safety instructions

NOTICE

- The Axis product shall be used in compliance with local laws and regulations.
- Use only applicable tools when installing the Axis product. Using excessive force with power tools could cause damage to the product.
- Use only accessories that comply with the technical specification of your product. These can be provided by Axis or a third party. Axis recommends using Axis power source equipment compatible with your product.
- Use only spare parts provided by or recommended by Axis.
- Do not attempt to repair the product yourself. Contact Axis support or your Axis reseller for service matters.

Transportation

NOTICE

- When transporting the Axis product, use the original packaging or equivalent to prevent damage to the product.

Install the hardware

See *System overview on page 11* for a system overview image.

EN

See *Hardware overview on page 10* for positions of connectors and switches.

This product is intended for indoor use only.

Mount the PoE splitter as close as possible to the powered device.

Before installation, make sure that the voltage switch is in correct position for the powered device. Default is 12 V DC. For devices that require 24 V DC, set the voltage switch selector to 24 V DC.

NOTICE

Using the wrong power level might cause damage to property.

1. Connect an Ethernet cable from the splitter's DATA OUT port to Ethernet input on the powered device.
2. Connect the supplied power cord cable from the splitter's DC OUT port to power input on the powered device.
3. Connect an Ethernet cable from the PoE device to the splitter's POWER & DATA IN port.
4. Place a cover sticker on the voltage switch



selector.

5. Verify that the splitter's PWR OUT LED is lit.
6. Verify that the powered device powers up.

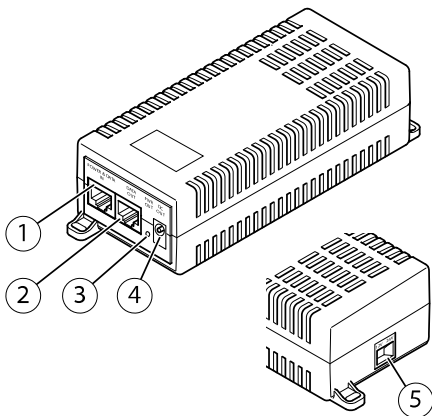
Reference material

Package contents

- AXIS T8127 60 W Splitter
- Power cord cable
- Cover sticker
- Printed material
 - Installation Guide (this document)

Hardware overview

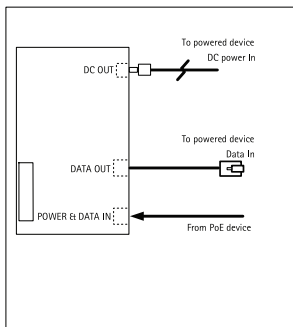
For specifications of the hardware components, see .



- 1 Power & Data in
- 2 Data out

- 3 *Pwr out LED*
- 4 *DC out*
- 5 *Voltage switch selector*

System overview



Specifications

LAN input/output

10/100/1000Base-T

DC OUT output

Internal pole: Positive (+) V DC

External pole: Negative (-) V DC

DC barrel connector: 5.5 x 2.5 mm

AXIS T8127 60 W Splitter 12/24 V DC

Power ratings
Input Voltage: 42 ~ 57 V DC
Input Current: 720 mA (max for each pair)
Output Voltage: 12 V DC / 24 V DC
Peak output current: 5 A / 2.5 A
Peak output power: max 60 W
Continuous output current: 4.5 A / 2.25 A
Continuous output power: max 54 W

Physical dimensions
Height: 38 mm (1.49 in)
Width: 73 mm (2.87 in)
Depth: 130 mm (5.12 in)

Environmental requirements
Operating temperature: 0° C to 40° C (32 ° F to 104 ° F)
Humidity: 0 to 90% (non-condensing)

Installation du matériel

Consultez *Vue d'ensemble du système page 15* pour une vue d'ensemble du système.

Pour connaître l'emplacement des connecteurs et des interrupteurs, consultez *Aperçu du matériel page 14*.

Cet appareil est destiné à une utilisation en intérieur uniquement.

Montez le diviseur PoE aussi près que possible de l'appareil alimenté.

Avant de commencer l'installation, vérifiez que le sélecteur de tension est dans la bonne position pour l'appareil alimenté. La valeur par défaut est 12 V CC. Pour les appareils nécessitant 24 V CC, réglez le sélecteur de tension sur 24 V CC.

AVIS

L'utilisation d'un mauvais niveau de puissance peut causer des dommages matériels.

1. Raccordez un câble Ethernet allant du port SORTIE DONNEES du diviseur à l'entrée Ethernet de votre appareil alimenté.
2. Raccordez le cordon d'alimentation fourni au port SORTIE CC du diviseur à l'entrée d'alimentation de votre appareil alimenté.
3. Raccordez un câble Ethernet allant de l'appareil PoE au port DONNÉES ET ALIMENTATION du diviseur.
4. Placez un adhésif couvercle sur le sélecteur de



tension.

5. Vérifiez que la LED PWR OUT du diviseur est allumée.
6. Vérifiez que l'appareil alimenté est sous tension.

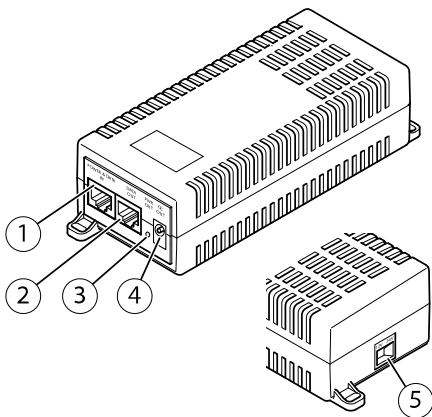
Éléments de référence

Contenu de l'emballage

- Diviseur AXIS T8127 60 W
- Cordon d'alimentation
- Adhésif couvercle
- Documentation imprimée
 - Guide d'installation (ce document)

Aperçu du matériel

Pour connaître les caractéristiques des composants matériels, consultez .

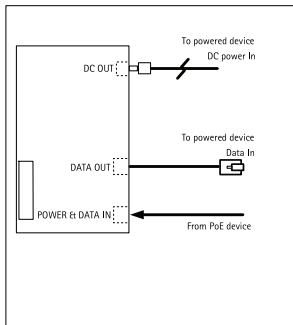


- 1 Alimentation et entrée données
- 2 Sortie données

- 3 LED Pwr out
- 4 Sortie CC
- 5 Sélecteur de tension

Vue d'ensemble du système

FR



Caractéristiques techniques

Entrée/Sortie LAN

10/100/1000Base-T

Sortie CC

Pôle interne : Positif (+) V CC

Pôle externe : Négatif (-) V CC

connecteur cylindrique CC : 5,5 x 2,5 mm
--

AXIS T8127 60 W Splitter 12/24 V DC

Puissance nominale
Tension d'entrée : 42 ~ 57 V CC
Courant d'entrée : 720 mA (maximum pour chaque paire)
Tension de sortie : 12 V CC / 24 V CC
Courant de sortie de crête : 5 A / 2,5 A
Puissance de sortie de crête : max. 60 W
Courant de sortie permanent : 4,5 A / 2,25 A
Puissance de sortie permanente : max 54 W

Dimensions physiques
Hauteur : 38 mm (1,49 po)
Largeur : 73 mm (2,87 po)
Profondeur : 130 mm (5,12 po)

Exigences environnementale
Température de fonctionnement : De 0°C à 40°C (32 °F à 104 °F)
Humidité : 0 à 90 % (sans condensation)

Die Hardware installieren

Siehe *Systemübersicht auf Seite 20* für eine Systemübersichtsabbildung.

Die Positionen der Anschlüsse und Schalter finden Sie unter *Übersicht über die Hardware auf Seite 19*.

Dieses Produkt ist ausschließlich für die Verwendung in Innenräumen ausgelegt.

DE

Befestigen Sie den PoE-Splitter so nahe wie möglich am betriebenen Gerät.

Gehen Sie vor Beginn der Installation sicher, dass sich der Spannungsschalter in der richtigen Position für das betriebene Gerät befindet. Der Standard ist 12 V DC. Für Geräte, die 24 V DC benötigen, stellen Sie den Spannungswahlschalter auf 24 V DC.

HINWEIS

Wenn die Leistungsstufe nicht korrekt eingestellt wird, kann es zu Schäden kommen.

1. Verbinden Sie ein Ethernetkabel vom Splitterport DATENAUSGANG mit dem Etherneteingang am betriebenen Gerät.
2. Verbinden Sie das mitgelieferte Netzkabel vom Splitterport GLEICHSTROMAUSGANG mit dem Stromeingang am betriebenen Gerät.
3. Verbinden Sie ein Ethernetkabel vom PoE-Anschluss des Geräts mit dem Splitterport Strom & Dateneingang.
4. Kleben Sie einen Sticker für die Abdeckung auf den



Spannungswähler.

5. Überprüfen Sie, ob die PWR OUT LED-Statusanzeige am Splitter leuchtet.

6. Stellen Sie sicher, dass das eingeschaltete Gerät startet.

Informationsmaterial

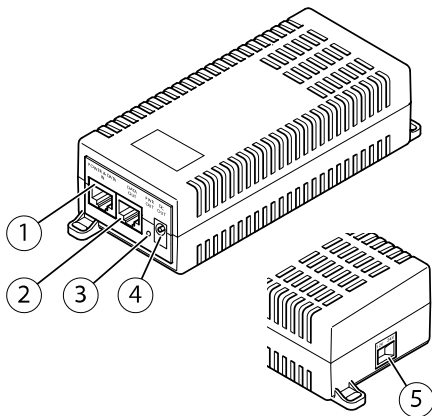
Paketinhalte

- AXIS T8127 60 W Splitter
- Netzkabel
- Aufkleber für Abdeckung
- Gedruckte Dokumente
 - Installationsanleitung (dieses Dokument)

DE

Übersicht über die Hardware

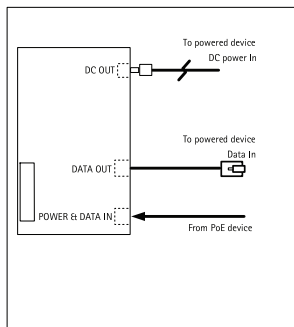
Die technischen Daten für Hardwarekomponenten finden Sie unter .



- 1 *Stromversorgungs- und Dateneingang*
- 2 *Datenausgang*

- 3 *Pwr out LED*
- 4 *Gleichstromausgang*
- 5 *Spannungswahlschalter*

Systemübersicht



Technische Daten

LAN Eingabe/Ausgabe
10/100/1000Base-T
Gleichstrom-Ausgang
Interner Pol: Positiv (+) V Gleichstrom
Externer Pol: Negativ (-) V Gleichstrom
Steckverbindung Gleichstrom: 5.5 x 2.5 mm

Leistungsdaten

Eingangsspannung: 42 ~ 57 V DC

Eingangsstrom: 720 mA (maximal für jedes Paar)

Ausgangsspannung: 12 V DC / 24 V DC

Höchster Ausgangsstrom: 5 A / 2.5 A

Höchste Ausgangsleistung: max. 60 W

kontinuierlicher Ausgangsstrom: 4.5 A / 2.25 A

Kontinuierliche Ausgangsleistung: max 54 W

DE

Physische Maße

Höhe: 38 mm

Breite: 73 mm

Tiefe: 130 mm

Umweltanforderungen

Betriebstemperatur: 0° C to 40° C

Luftfeuchtigkeit: 0 bis 90 % (nicht kondensierend)

Installazione dell'hardware

Per un'immagine sulla panoramica di sistema, vedere *Panoramica di sistema alla pagina 25*.

Per le posizioni dei connettori e degli switch, vedere *Panoramica dell'hardware alla pagina 24*.

Il dispositivo è destinato solo per uso interno.

Montare lo splitter PoE il più vicino possibile al dispositivo alimentato.

Prima dell'installazione, assicurarsi che lo switch di tensione sia nella posizione corretta per il dispositivo alimentato. Il valore predefinito è 12 V CC. Per i dispositivi che richiedono una tensione di 24 V CC, impostare il selettore switch di tensione su 24 V CC.

AWISO

L'uso di un livello di alimentazione errato potrebbe causare danni alla proprietà.

1. Collegare un cavo Ethernet dalla porta DATA OUT dello splitter alla porta di input Ethernet sul dispositivo alimentato.
2. Collegare un cavo di alimentazione fornito dalla porta DC OUT dello splitter all'ingresso alimentazione sul dispositivo alimentato.
3. Collegare un cavo Ethernet dal dispositivo PoE alla porta POWER & DATA IN dello splitter.
4. Posizionare un adesivo del coperchio sul selettore switch di



tensione.

5. Verificare che PWR OUT LED dello splitter sia acceso.
6. Verificare che il dispositivo alimentato si accenda.

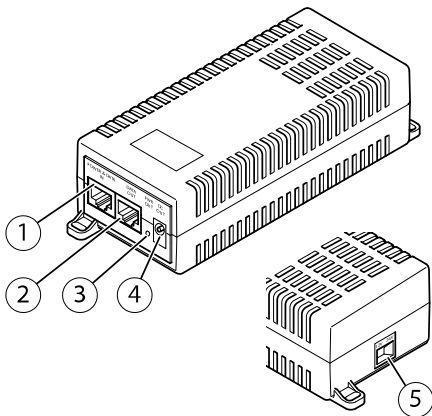
Materiale di riferimento

Contenuto della confezione

- Splitter AXIS T8127 60 W
- Cavo di alimentazione
- Adesivo del coperchio
- Documentazione cartacea
 - Guida all'installazione (il presente documento)

Panoramica dell'hardware

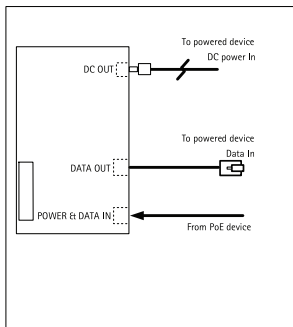
Per le specifiche dei componenti hardware, vedere .



- 1 Alimentazione e dati in ingresso
- 2 Dati in uscita

- 3 Alimentazione in uscita LED
- 4 Uscita CC
- 5 Selettore switch di tensione

Panoramica di sistema



IT

Dati tecnici

Input/output LAN

10/100/1000Base-T

Uscita CC OUT:

Polo interno: positivo (+) V CC

Polo esterno: negativo (-) V CC

Connettore cilindrico CC: 5,5 x 2,5 mm

AXIS T8127 60 W Splitter 12/24 V DC

Potenze nominali

Tensione in ingresso: 42 ~ 57 V CC

Corrente in ingresso: 720 mA (max per ogni coppia)

Tensione in uscita: 12 V CC/24 V CC

Corrente di picco in uscita: 5 A/2,5 A

Potenza di picco in uscita: max 60 W

Corrente continua in uscita: 4,5 A/2,25 A

Potenza continua in uscita: max 54 W

Dimensioni fisiche

Altezza: 38 mm

Larghezza: 73 mm

Profondità: 130 mm

Requisiti ambientali

Temperatura di esercizio: da 0° C a 40° C

Umidità: da 0 a 90% (senza condensa)

Instalación del hardware

Consulte *Descripción general del sistema en la página 30* para obtener una imagen de visión completa del sistema.

Consulte *Información general del hardware en la página 29* para conocer las posiciones de los conectores y switches.

Este producto se ha diseñado para su uso exclusivo en interiores.

Instale el splitter PoE tan cerca como sea posible del dispositivo alimentado.

Antes de la instalación, asegúrese de que el selector de voltaje esté en la posición correcta para el dispositivo alimentado. El valor por defecto es 12 V CC. Para dispositivos que precisen 24 V CC, ajuste el selector de tensión en 24 V CC.

AVISO

Si no se utiliza el nivel de tensión correcto, podrían producirse daños materiales.

1. Conecte un cable Ethernet desde el puerto DATA OUT (Salida de datos) del splitter hasta la entrada Ethernet del dispositivo alimentado.
2. Conecte el cable de alimentación suministrado desde el puerto DC OUT (Salida de CC) del splitter hasta la entrada de alimentación del dispositivo alimentado.
3. Conecte un cable Ethernet desde el dispositivo PoE hasta el puerto POWER & DATA IN (Entrada de alimentación y datos) del splitter.
4. Coloque un adhesivo de la cubierta en el selector de

tensión.



AXIS T8127 60 W Splitter 12/24 V DC

5. Compruebe que el LED PWR OUT (LED de salida de alimentación) del splitter esté encendido.
6. Compruebe que el dispositivo alimentado se enciende.

Material de referencia

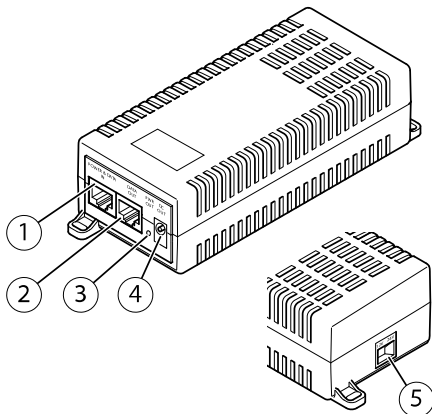
Contenido del paquete

- AXIS T8127 60 W Splitter
- Cable de alimentación
- Adhesivo de la cubierta
- Material impreso
 - Guía de instalación (este documento)

Información general del hardware

Para conocer las especificaciones de los componentes del hardware, vea .

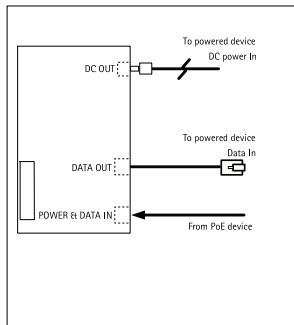
ES



- 1 *Entrada de alimentación y datos*
- 2 *Salida de datos*

- 3 LED de salida de alimentación
- 4 Salida de CC
- 5 Switch de selección de tensión

Descripción general del sistema



Especificaciones

Entrada/salida LAN
10/100/1000Base-T
Salida DC OUT
Polo interno: positivo (+) V CC
Polo externo: negativo (-) V CC
Conector cilíndrico de CC: 5,5 x 2,5 mm

AXIS T8127 60 W Splitter 12/24 V DC

Potencias nominales
Tensión de entrada: 42 ~ 57 V CC
Corriente de entrada: 720 mA (máx. para cada par)
Tensión de salida: 12 V CC / 24 V CC
Corriente de salida máxima: 5 A / 2,5 A
Potencia de salida máxima: 60 W máx.
Corriente de salida continua: 4,5 A / 2,25 A
Potencia de salida continua: 54 W máx.

ES

Dimensiones físicas
Altura: 38 mm
Anchura: 73 mm
Profundidad: 130 mm

Requisitos medioambientales
Temperatura de funcionamiento: De 0 °C a 40 °C
Humedad: De 0 a 90 % (sin condensación)

ハードウェアのインストール

システムの全体画像については37ページの、システムの概要をご覧ください。

コネクタとスイッチの位置については、35ページの、ハードウェアの概要を参照してください

本製品は屋内専用モデルです。

PoEスプリッタを受電機器のできるだけ近くに取り付けます。

設置する前に、電圧スイッチが受電機器に対して正しい位置にあることを確認してください。デフォルトは12 V DCです。24 V DCを必要とするデバイスの場合は、電圧スイッチセレクターを24 V DCに設定してください。

注記

誤った電力レベルを使用すると、器物を破損するおそれがあります。

JA

1. イーサネットケーブルを使って、スプリッタのDATA OUTポートと受電機器のイーサネット入力を接続します。
2. 付属の電源コードケーブルを使って、スプリッタのDC OUTポートと受電デバイスの電源入力を接続します。
3. イーサネットケーブルを使って、PoEデバイスとスプリッタのPOWER & DATA INポートを接続します。
4. 電圧スイッチセレクターにカバーステッカーを配置



します。

5. スプリッタのPWR OUT LEDが点灯していることを確認します。

AXIS T8127 60 W Splitter 12/24 V DC

6. 受電機器の電源が入っていることを確認します。

参考資料

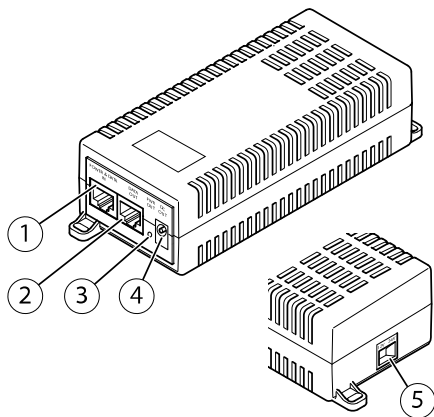
パッケージの内容

- AXIS T8127 60 W Splitter (スプリッタ)
- 電源コードケーブル
- カバーステッカー
- 印刷物
 - インストールガイド (本書)

ハードウェアの概要

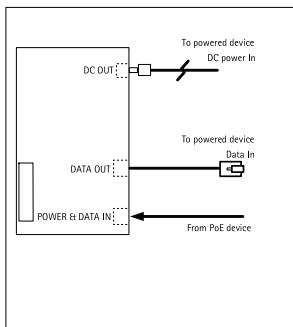
ハードウェアコンポーネントの仕様については、を参照してください。

AXIS T8127 60 W Splitter 12/24 V DC



- 1 電源/データ入力
- 2 データ出力
- 3 PWR OUT LED
- 4 DC出力
- 5 電圧スイッチセレクター

システムの概要



仕様

JA

LAN入力/出力

10/100/1000Base-T

DC OUT出力

内部電極: プラス(+) V DC

外部電極: マイナス(-) V DC

DCバレルコネクタ: 5.5 x 2.5 mm

AXIS T8127 60 W Splitter 12/24 V DC

電力定格

入力電圧: 42 ~ 57 V DC

入力電流: 720 mA(各ペアの最大)

出力電圧: 12 V DC / 24 V DC

ピーク出力電流: 5 A / 2.5 A

ピーク出力電力: 最大60 W

連続出力電流: 4.5 A / 2.25 A

連続出力電力: 最大54 W

物理寸法

高さ: 38 mm

幅: 73 mm

奥行: 130 mm

環境要件

動作温度: 0° C ~ 40° C

湿度: 0 ~ 90% (非結露)

安装硬件

请参见 *系统概览* 在第41页查看系统概览图像。

请参见 *硬件概览* 在第40页了解连接器和开关的位置。

本产品仅供室内使用。

将 PoE 分离器安装到尽可能靠近受电设备的位置。

安装前，请确保电压开关位于受电设备的正确位置。默认为 12 V DC。对于需要 24 V DC 的设备，将电压开关选择器设置为 24 V DC。

注意

使用错误的功率级可能导致财产损失。

1. 将分离器数据输出端口的以太网电缆连接到受电设备上的以太网输入端。
2. 将分离器 DC 输出端口的电源线连接到受电设备上的电源输入端。
3. 将 PoE 设备的以太网电缆连接到分离器的电源和数据输入端口。
4. 将机盖标签放在电压开关选择器



上。

5. 确认分离器的电源输出 LED 亮起。
6. 确认受电设备已通电。

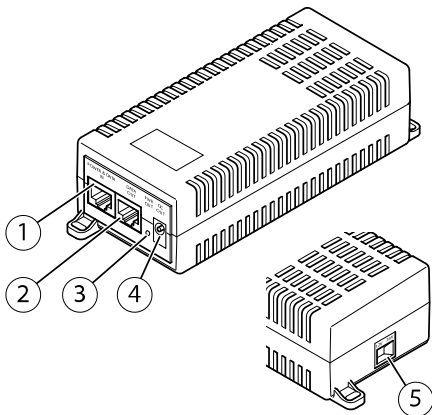
参考资料

包装内含物

- AXIS T8127 60 W 分离器
- 电源线电缆
- 机盖标签
- 印刷材料
 - 安装指南（本文档）

硬件概览

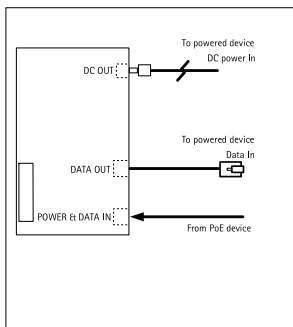
有关硬件组件的规格，请参见。



1 电源和数据输入

- 2 数据输出
- 3 电源输出 LED
- 4 DC 输出
- 5 电压开关选择器

系统概览



ZH

规格

LAN 输入/输出

10/100/1000Base-T

DC 输出

内极： 正极 (+) V DC

AXIS T8127 60 W Splitter 12/24 V DC

外极： 负极 (-) V DC

DC 圆柱形连接器： 5.5 x 2.5 毫米

额定功率

输入电压： 42 ~ 57 V DC

输入电流： 720 mA (每对最大值)

输出电压： 12 V DC / 24 V DC

峰值输出电流： 5 A / 2.5 A

峰值输出功率： 最大 60 W

连续输出电流： 4.5 A / 2.25 A

连续输出功率： 最大 54 W

物理尺寸

高度： 38 毫米 (1.49 英寸)

宽度： 73 毫米 (2.87 英寸)

深度： 130 毫米 (5.12 英寸)

环境要求

工作温度： 0° C 至 40° C (32° F 至 104° F)

湿度： 0 至 90% (非冷凝)

Installation Guide

AXIS T8127 60 W Splitter 12/24 V DC

© Axis Communications AB, 2016 - 2018

Ver. M1.4

Date: December 2018

Part No. 1943677