

AXIS T86 Media Converter Switch Series

AXIS T8606 Media Converter Switch

AXIS T8607 Media Converter Switch

Installation Guide

English

EN

France: Français

FR

Deutschland: Deutsch

DE

Italia: Italiano

IT

España: Español

ES

日本: 日本語

JA

中文: 简体中文

ZH

Legal considerations

Video and audio surveillance can be regulated by laws that vary from country to country. Check the laws in your local region before using this product for surveillance purposes.

Liability

Every care has been taken in the preparation of this document. Please inform your local Axis office of any inaccuracies or omissions. Axis Communications AB cannot be held responsible for any technical or typographical errors and reserves the right to make changes to the product and manuals without prior notice. Axis Communications AB makes no warranty of any kind with regard to the material contained within this document, including, but not limited to, the implied warranties of merchantability and fitness for a particular purpose. Axis Communications AB shall not be liable nor responsible for incidental or consequential damages in connection with the furnishing, performance or use of this material. This product is only to be used for its intended purpose.

Intellectual property rights

Axis AB has intellectual property rights relating to technology embodied in the product described in this document. In particular, and without limitation, these intellectual property rights may include one or more of the patents listed at axis.com/patent and one or more additional patents or pending patent applications in the US and other countries.

Equipment modifications

This equipment must be installed and used in strict accordance with the instructions given in the user documentation. This equipment contains no user-serviceable components. Unauthorized equipment changes or modifications will invalidate all applicable regulatory certifications and approvals.

Trademark acknowledgements

AXIS COMMUNICATIONS, AXIS and VAPIX are registered trademarks or trademark applications of Axis AB in various jurisdictions. All other company names and products are trademarks or registered trademarks of their respective companies.

Regulatory information

Europe



This product complies with the applicable CE marking directives and harmonized standards:

- Electromagnetic Compatibility (EMC) Directive 2014/30/EU. See *Electromagnetic compatibility (EMC) on page 4.*
- Low Voltage Directive (LVD) 2014/35/EU. See *Safety on page 5.*
- Restriction of Hazardous Substances (RoHS) Directive 2011/65/EU and 2015/863, including any amendments, updates or replacements. See *Disposal and recycling on page 5.*

A copy of the original declaration of conformity may be obtained from Axis Communications AB. See *Contact information on page 5.*

Electromagnetic compatibility (EMC)

This equipment has been designed and tested to fulfill applicable standards for:

- Radio frequency emission when installed according to the instructions and used in its intended environment.
- Immunity to electrical and electromagnetic phenomena when installed according to the instructions and used in its intended environment.

USA

This device complies with part 15 of the FCC Rules. Operation is subject to the following two conditions:

1. This device may not cause harmful interference, and
2. this device must accept any interference received, including interference that may cause undesired operation.

This equipment has been tested using a shielded network cable (STP) and found to comply with the limits for a Class A digital device, pursuant to part 15 of the FCC Rules. These limits are designed to provide reasonable protection against harmful interference when the equipment is operated in a commercial environment. This equipment generates, uses, and can radiate radio frequency energy and, if not installed and used in accordance with the instruction manual, may cause harmful interference to radio communications. Operation of this equipment in a residential area is likely to cause harmful interference in which case the user will be required to correct the interference at his own expense. The product shall be connected using a shielded network cable (STP) that is properly grounded.

Contact information

Axis Communications Inc.
300 Apollo Drive
Chelmsford, MA 01824
United States of America
Tel: +1 978 614 2000

Canada

This digital apparatus complies with CAN ICES-3 (Class A). The product shall be connected using a shielded network cable (STP) that is properly grounded. Cet appareil numérique est conforme à la norme CAN NMB-3 (classe A). Le produit doit être connecté à l'aide d'un câble réseau blindé (STP) qui est correctement mis à la terre.

Europe

This digital equipment fulfills the requirements for RF emission according to the Class A limit of EN 55032. The product shall be connected using a shielded network cable (STP) that is properly grounded. Notice! This is a Class A product. In a domestic environment this product may cause RF interference, in which case the user may be required to take adequate measures.

Australia/New Zealand

This digital equipment fulfills the requirements for RF emission according to the Class A limit of AS/NZS CISPR 32. The product shall be connected using a shielded network cable (STP) that is properly grounded. Notice! This is a Class A product. In a domestic environment this product may cause RF interference, in which case the user may be required to take adequate measures.

Japan

この装置は、クラスA機器です。この装置を住宅環境で使用すると電波妨害を引き起こすことがあります。この場合には使用者が適切な対策を講ずるよう要求されることがあります。VCCI - A

本製品は、シールドネットワークケーブル (STP) を使用して接続してください。また適切に接地してください。
 本製品は電気通信事業者 (移動通信会社、固定通信会社、インターネットプロバイダ等) の通信回線 (公衆無線 LAN を含む) に直接接続することができません。本製品をインターネットに接続する場合は、必ずルータ等を経由し接続してください。

Korea
 이 기기는 업무용 환경에서 사용할 목적으로 적합성평가를 받은 기기로서 가정용 환경에서 사용하는 경우 전파간섭의 우려가 있습니다. 적절히 접지된 STP (shielded twisted pair) 케이블을 사용하여 제품을 연결하십시오.

Safety

If its connecting cables are routed outdoors, the product shall be grounded either through a shielded network cable (STP) or other appropriate method.



In areas where the temperature is above 60 °C (140 °F), the product shall be placed in a restricted access location.

Disposal and recycling

When this product has reached the end of its useful life, dispose of it according to local laws and regulations. For information about your nearest designated collection point, contact your local authority responsible for waste disposal. In accordance with local legislation, penalties may be applicable for incorrect disposal of this waste.

Europe



This symbol means that the product shall not be disposed of together with household or commercial waste. Directive 2012/19/EU on waste electrical and electronic equipment (WEEE) is applicable in the European Union member states. To prevent potential harm to human health and the environment, the product must be disposed of in an approved and environmentally safe recycling process. For information about your nearest designated collection point, contact your local authority responsible for waste disposal. Businesses should contact the product supplier for information about how to dispose of this product correctly.

This product complies with the requirements of Directive 2011/65/EU and 2015/863 on the restriction of the use of certain hazardous substances in electrical and electronic equipment (RoHS).

China



This product complies with the requirements of SJ/T 11364-2014, Marking for the restriction of hazardous substances in electrical and electronic products.

有毒有害物质或元素						
部件名称	铅 (Pb)	汞 (Hg)	镉 (Cd)	六价铬 (Cr-(VI))	多溴联苯 (PB-B)	多溴二苯醚 (PB-DE)
电气安装部分	X	0	0	0	0	0
0: 表示该有毒有害物质在该部件均质材料中的含量均在GB/T 26572标准规定的限量要求以下。 X: 表示该有毒有害物质至少在该部件的某一均质材料中的含量超出GB/T 26572标准规定的限量要求。						

Contact information

Axis Communications AB
 Emdalavägen 14
 223 69 Lund
 Sweden

Tel: +46 46 272 18 00

Fax: +46 46 13 61 30

axis.com

Warranty information

For information about Axis' product warranty and thereto related information, go to axis.com/warranty.

Support

Should you require any technical assistance, please contact your Axis reseller. If your questions cannot be answered immediately, your reseller will forward your queries through the appropriate channels to ensure a rapid response. If you are connected to the Internet, you can:

- find answers to resolved problems in the FAQ database, search by product, category, or phrase
- report problems to Axis support staff by logging in to your private support area
- chat with Axis support staff
- visit Axis Support at axis.com/support

Learn more!

Visit Axis learning center axis.com/academy for useful trainings, webinars, tutorials and guides.

AXIS T86 Media Converter Switch Series

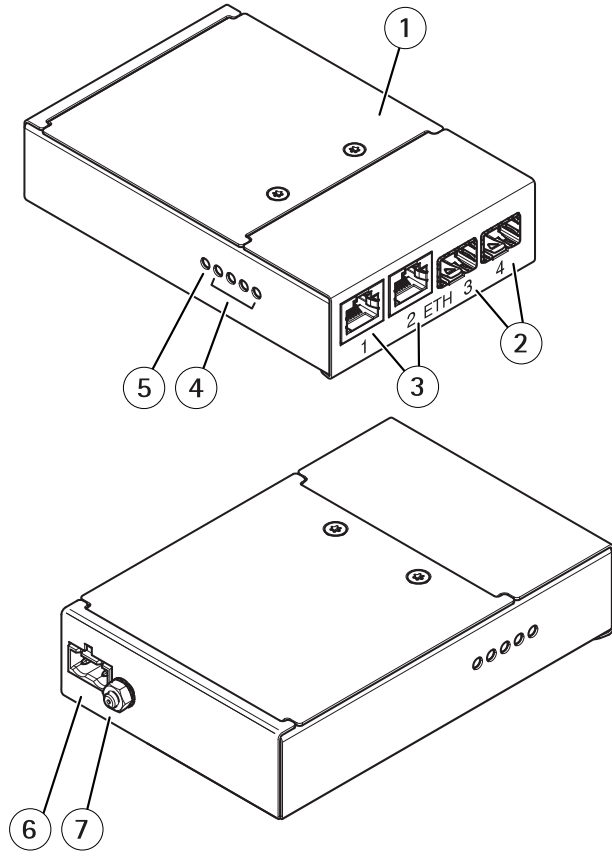
Package contents

- AXIS T8606/T8607 Media Converter Switch
- Mounting kit
 - Clip for DIN clip
 - Screw (2x)
- Printed material
 - Installation Guide (this document)

Hardware overview

AXIS T8606 Media Converter Switch – external view

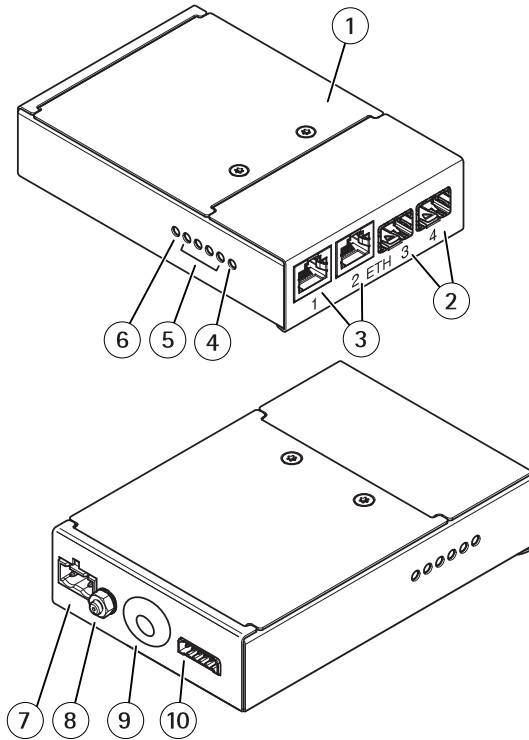
EN



- 1 Cover
- 2 Network connector SFP (2x)
- 3 Network connector RJ45 (2x)
- 4 Network LED indicator (4x)
- 5 Power LED indicator
- 6 Power connector (DC input)
- 7 Grounding screw

AXIS T86 Media Converter Switch Series

AXIS T8607 Media Converter Switch - external view



- 1 Cover
- 2 Network connector SFP (2x)
- 3 Network connector RJ45 (2x)
- 4 Camera network LED indicator
- 5 Network LED indicator (4x)
- 6 Power LED indicator
- 7 Power connector (DC input)
- 8 Grounding screw
- 9 Multicable inlet
- 10 I/O terminal connector

How to install the product

Recommended tools

- Torx® screwdriver T10
- Cable shoe pliers (for grounding cable)
- 7 mm wrench (for grounding screw)
- Flathead screwdriver 2.5 mm
- Wire stripping tool (for cable connection to AXIS T8607)

How to install AXIS T8606 Media Converter Switch

NOTICE

- The media converter switch shall be installed in an environment protected against dust and water, for example indoors or in an appropriate cabinet.
- The media converter switch shall be connected using shielded network cables (STP) intended for their specific use. Make sure that the switch is properly grounded. For regulatory requirements, see *Electromagnetic compatibility (EMC) on page 4*.

For an overview of the hardware components, see *page 7*.

1. Mount the media converter switch on the wall, or attach it to a DIN rail in a cabinet.
2. Connect the network cables to the network connectors (RJ45, SFP) as required.
3. Connect the power cable to the power connector (DC input).
4. Earth the switch by connecting to the grounding screw.
5. Make sure the LED indicators on the media converter switch indicate the correct conditions, see *Media converter switch LED indicators on page 16*.

Note

If you wish to configure a system that uses VLAN tags, the product's dip switches must be set correctly. See *Network connector dip switches on page 19*.

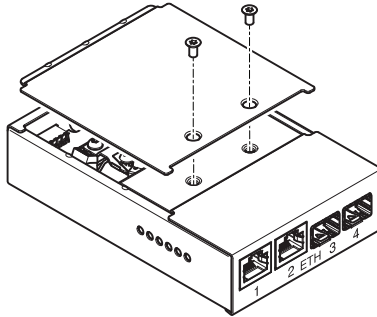
How to install AXIS T8607 Media Converter Switch

NOTICE

- Make sure the connections to the mains supply and conduits have been installed by a trained professional, according to the manufacturer's instructions and in compliance with local regulations.
 - The power supply (sold separately) and the media converter switch shall be installed in an environment protected against dust and water, for example indoors or in an appropriate cabinet.
1. Make sure the mains supply is switched off.

AXIS T86 Media Converter Switch Series

2. Mount the power supply and the media converter switch on the wall, or attach them to a DIN rail in the cabinet. If drilling is required, make sure to use drill bits, screws, and plugs that are appropriate for the material.
3. Loosen the screws and remove the cover from the media converter switch.



4. Push the end of the multicable through the cable gasket on the rear of the unit, and pull it through far enough so that it will be easy to work with.

Important

If you need to shorten the supplied cable, follow steps 5–10. Otherwise, proceed to step 11.

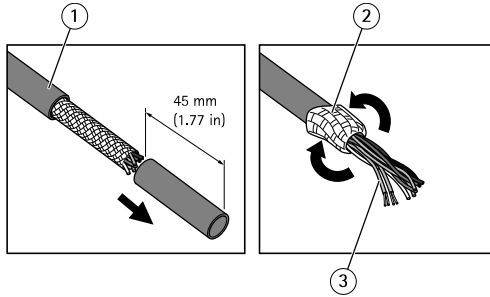
5. Strip off about 45 mm (1.77 in) from the end of the multicable jacket.
6. Leave the braided shield intact, but fold it back so that it is about 20 mm (0.79 in) long.
7. Cut off 16 mm (0.63 in) from the Ethernet wire foil shields.
8. Strip off 8 mm (0.31 in) insulation from the four Ethernet wires (green, green/white, orange and orange/white).
9. Strip off 8 mm (0.31 in) insulation from the two I/O wires (blue and yellow).
10. Strip off 5 mm (0.20 in) insulation from the three power wires (red, red and black).

Important

- After stripping the insulation, the power and Ethernet wires must be tinned to ensure proper connections.
- The Ethernet wires must be of equal length, and should protrude approximately 25 mm (1.0 in) from the end of the braided shield.

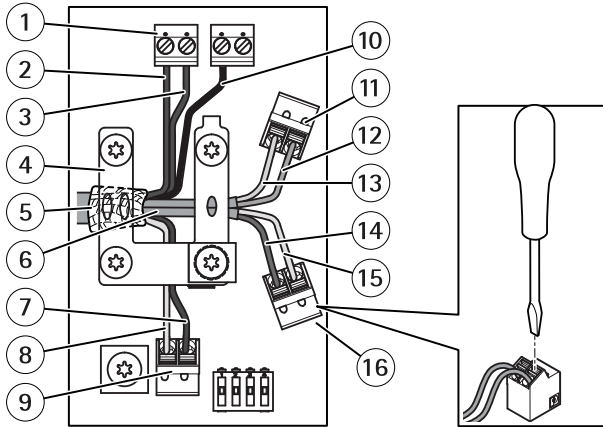
AXIS T86 Media Converter Switch Series

EN



- 1 Multicable jacket
- 2 Braided shield
- 3 Ethernet wire foil shield (2x)

11. Connect the network and I/O wires to the internal network connectors (11, 16) and the I/O connector (9). Open these connectors by pushing down on the slots with a flathead screwdriver. Insert the wire and then release.
12. Connect the ground and power wires to the power connector (DC output (1)).



- 1 Power connector (DC output)
- 2 Power wire (red)
- 3 Power wire (red)
- 4 Clamp
- 5 Braided shield coil
- 6 Ethernet wire shield (2x)
- 7 Digital I/O wire (blue)
- 8 Digital I/O wire (yellow)

AXIS T86 Media Converter Switch Series

- 9 I/O connector (*internal*)
- 10 Ground wire (*black*)
- 11 Ethernet connector (*internal*)
- 12 Ethernet wire (*green*)
- 13 Ethernet wire (*green/white*)
- 14 Ethernet wire (*orange*)
- 15 Ethernet wire (*orange/white*)
- 16 Ethernet connector (*internal*)

- 13. Carefully pull the excess multicable back out through the gasket.
- 14. Make sure the clamp is in place, insert the braided shield coil into the ground clip and tighten the screws.

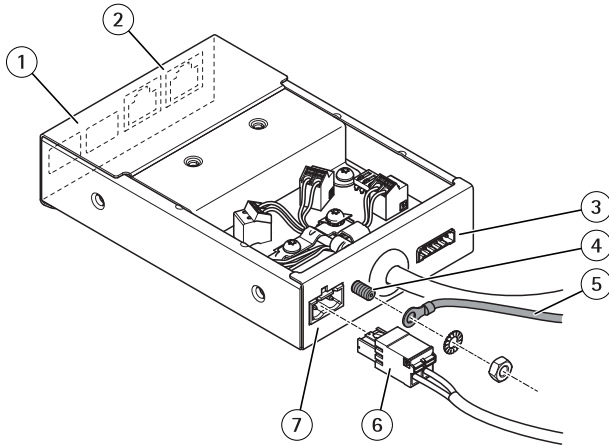
NOTICE

- The shields and the clamp surfaces must be in complete contact with each other so that the multicable is grounded.
 - Make sure that the multicable jacket is firmly secured by the clamp.
 - Make sure all surfaces and contacts are clean and free from scrap shield material.
- 15. Connect the network cables to the external network connectors (RJ45, SFP) as required.

Note

An SFP module (not included) must be used when connecting an optical fiber cable.

- 16. If used, connect an I/O device to the external I/O connector.
- 17. Connect the power cable (DC input) to the power connector (DC input) via the terminal block plug.
- 18. Attach the ground wire to the ground screw.



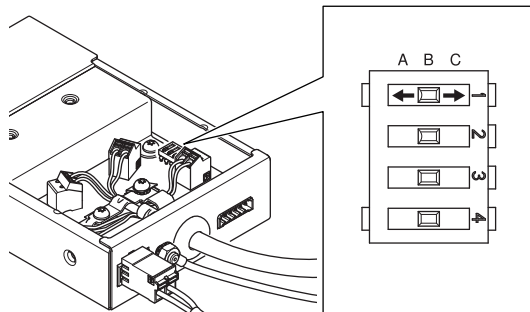
- 1 Network connector SFP (external) (2x)
- 2 Network connector RJ45 (external) (2x)
- 3 I/O connector (external)
- 4 Ground screw
- 5 Ground wire
- 6 Power cable (DC input)
- 7 Power connector (DC input)

19. If connecting several media converter switches in a daisy chain, you need to set the dip switch of each outgoing network connector port that connects to another media converter switch to position C.

Leave the dip switch in its default position (position B) when connecting the port directly to the network. For more information, see *Media converter switch connectors* on page 16.

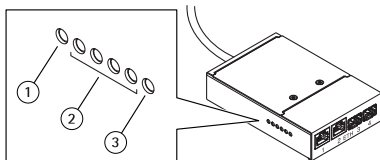
Important

If the system is not defined, use the default dip switch setting (position B).



AXIS T86 Media Converter Switch Series

20. Replace the cover on the switch and fasten the screws.
21. Switch on the power supply.
22. Make sure the LED indicators on the media converter switch indicate the correct conditions. For more information, see *Media converter switch LED indicators on page 16*.



- 1 Power LED indicator
- 2 Network LED indicator (4x) ETH 1/2/3/4
- 3 Camera LED indicator

Further information

- For the latest version of this document, see axis.com
- For useful online trainings and webinars, see axis.com/academy

Optional accessories

For a complete list of available accessories for this product, go to the product's page on axis.com and select Software & Accessories.

AXIS T86 Media Converter Switch Series

Specifications

To find the latest version of the product's datasheet, go to the product page at axis.com and locate **Support & Documentation**.

Media converter switch LED indicators

LED	Color	Indication
Power	Unlit	DC power unconnected or current protection engaged (power overload)
	Green	DC power connected.
Network (4x)	Amber	10 Mbit connection. Flashes during activity.
	Green	100/1000 Mbit connection. Flashes during activity.
Camera network (AXIS T8607 only)	Green	100 Mbit connection. Flashes during activity.

Connectors

Media converter switch connectors

NOTICE

The product shall be connected using a shielded network cable (STP). All cables connecting the product to the network shall be intended for their specific use. Make sure that the network devices are installed in accordance with the manufacturer's instructions. For information about regulatory requirements, see *Electromagnetic compatibility (EMC)* on page 4.

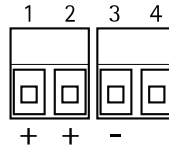
Important

The media converter switch does not support hotswapping. Disconnect power from the switch before swapping cameras. An attempt to hotswap could cause the switch to freeze, in which case it must be restarted.

Camera connectors

Power connector

Two 2-pin terminal blocks for power output (pin 4 not used).



Function		Pin	Notes
DC output	24 V DC	1, 2	Power out to camera
	0 V DC (-)	3	
	N/A	4	N/A

Network connectors

2-pin Ethernet terminal block (x2).



I/O terminal connector

2-pin terminal block.



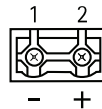
External connectors

Ground screw

Ground screw for connecting the media converter switch to earth ground. Make sure that both ends of the grounding wire are in contact with their respective grounding surfaces.

Power connector

2-pin terminal block for power input.



AXIS T86 Media Converter Switch Series

Function		Pin	Notes
DC input	0 V DC (-)	1	
	24 V DC	2	Power in from power supply (sold separately)

Network connector RJ45

Two RJ45 connectors (10/100Base-T) for network.

Network slot SFP

Two SFP slots (100Base-FX/1000Base-X) for network.

Each RJ45 and SFP port has its own dip switch. The dip switches control how the port forwards data. For more information, see *page 19*.

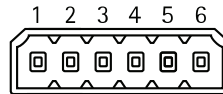
I/O terminal connector

6-pin configurable I/O terminal block, which is connected to the camera through the multicable. Use with external devices in combination with, for example, tampering alarms, motion detection, event triggering, time lapse recording and alarm notifications. In addition to the 0 V DC reference point and power (DC output), the I/O connector provides the interface to:

- **Digital output** – For connecting external devices such as relays and LEDs. Connected devices can be activated by the VAPIX® Application Programming Interface, output buttons on the Live View page or by an Action Rule. The output will show as active (shown under **System Options > Port & Devices > Port Status**) if the alarm device is activated.
- **Digital input** – An alarm input for connecting devices that can toggle between an open and closed circuit, for example: PIRs, door/window contacts, glass break detectors, etc. When a signal is received the state changes and the input becomes active (shown under **System Options > Port & Devices > Port Status**).

6-pin terminal blocks for:

- Digital Input/Output
- Power (DC output)
- 0 V DC (-)



Function	Pin	Notes	Specifications
0 V DC (-)	1, 4, 6		0 V DC
DC output	2	Power out	12 V DC, 50 mA

AXIS T86 Media Converter Switch Series

EN

Configurable I/O 1 (Input or Output)	3	Digital input	0 to max 30 V DC
		Digital output (transistor – open collector)	0 to max 30 V DC, open drain, 100 mA
Configurable I/O 2 (Input or Output)	5	Digital input	0 to max 30 V DC
		Digital output (transistor – open collector)	0 to max 30 V DC, open drain, 100 mA

Network connector dip switches

Important

Always use the default dip switch setting (position B) if the relationship between devices in the system is not defined.

The camera attaches a particular VLAN tag to all its forwarded multicast packages. The media converter switch manages how these multicast packages are forwarded between cameras, media converter switches and other network devices. This is especially useful when connecting the camera and media converter switch to the network in a daisy chain.

By changing the position of the dip switches, each network connector port in the media converter switch can be configured to manage multicasts in three different ways.

Dip switch position		Description
Default (middle)	B	Remove VLAN tags from forwarded multicast packages. Use this setting when connecting to the network, directly or through a router or network switch.
Left	A	Block multicast packages that have a VLAN tag. Use this setting when connecting to a device that is not intended for multicast viewing.
Right	C	Forward multicast packages with a VLAN tag. Use this setting when connecting to another media converter switch.

VLAN tags are used to create independent logical networks, virtual local area networks (VLANs), within a physical network. Multiple media converter switches that are connected to each other in a daisy chain are members of the same VLAN. The media converter switches tag the multicast packages moving between them so that the next media converter switch in line knows the destination of the packages. In other words, the VLAN tag serves as a VLAN identifier. VLAN tagging should only be used when using multiple cameras and media converter switches because

AXIS T86 Media Converter Switch Series

forwarding multicast packages with a VLAN tag only serves a purpose when the port is connected to another media converter switch, which might be connected to potential viewers.

Note

When connecting an outgoing media converter switch network connector to another type of network device, set the dip switch to position A to protect the device from multicast traffic.

Operating conditions

Temperature	-40 °C to 75 °C (-40 °F to 167 °F)
Humidity	10–85% RH (non-condensing)

Power specifications

Product	Voltage	Minimum current rating for external power supply
AXIS T8606 Media Converter Switch	24 V DC	0.15 A
AXIS T8607 Media Converter Switch	24 V DC	3.2 A

Safety information

Hazard levels

▲ DANGER

Indicates a hazardous situation which, if not avoided, will result in death or serious injury.

▲ WARNING

Indicates a hazardous situation which, if not avoided, could result in death or serious injury.

▲ CAUTION

Indicates a hazardous situation which, if not avoided, could result in minor or moderate injury.

NOTICE

Indicates a situation which, if not avoided, could result in damage to property.

Other message levels

Important

Indicates significant information which is essential for the product to function correctly.

Note

Indicates useful information which helps in getting the most out of the product.

AXIS T86 Media Converter Switch Series

Safety instructions

⚠WARNING

The Axis product shall be installed by a trained professional, and in compliance with local laws and regulations.

NOTICE

- The Axis product shall be used in compliance with local laws and regulations.
- Axis recommends using a shielded network cable (STP).
- Store the Axis product in a dry and ventilated environment.
- Avoid exposing the Axis product to shocks or heavy pressure.
- Do not install the product on unstable poles, brackets, surfaces or walls.
- Do not install the product on vibrating poles, brackets, surfaces or walls.
- Use only applicable tools when installing the Axis product. Using excessive force with power tools could cause damage to the product.
- Do not use chemicals, caustic agents, or aerosol cleaners.
- Use a clean cloth dampened with pure water for cleaning.
- Use only accessories that comply with the technical specification of your product. These can be provided by Axis or a third party. Axis recommends using Axis power source equipment compatible with your product.
- Use only spare parts provided by or recommended by Axis.
- Do not attempt to repair the product yourself. Contact Axis support or your Axis reseller for service matters.
- The power supply shall be plugged in to a socket outlet installed near the product and shall be easily accessible.

Transportation

NOTICE

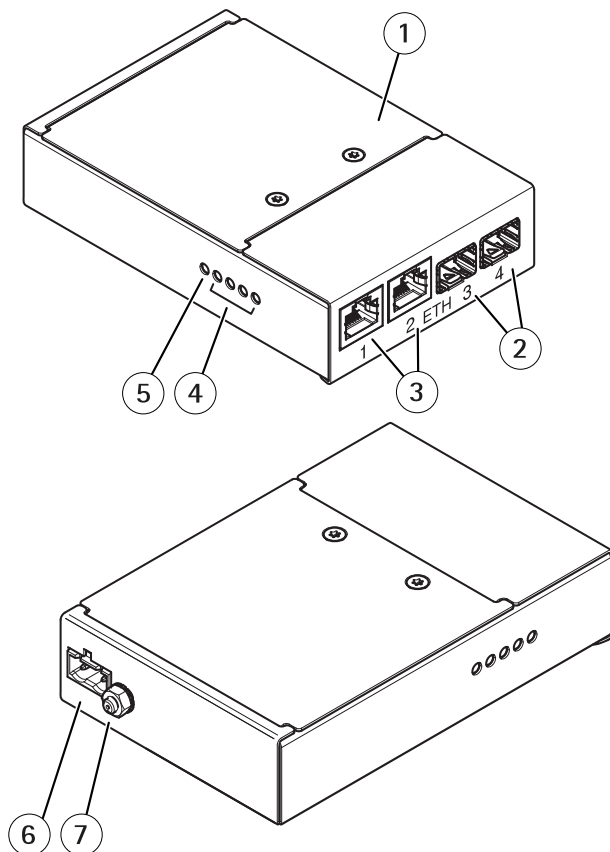
- When transporting the Axis product, use the original packaging or equivalent to prevent damage to the product.

Contenu de l'emballage

- Commutateur de convertisseur de média AXIS T8606/T8607
- Kit de montage
 - Clip pour le clip DIN
 - Vis (x2)
- Documentation imprimée
 - Guide d'installation (ce document)

Aperçu du matériel

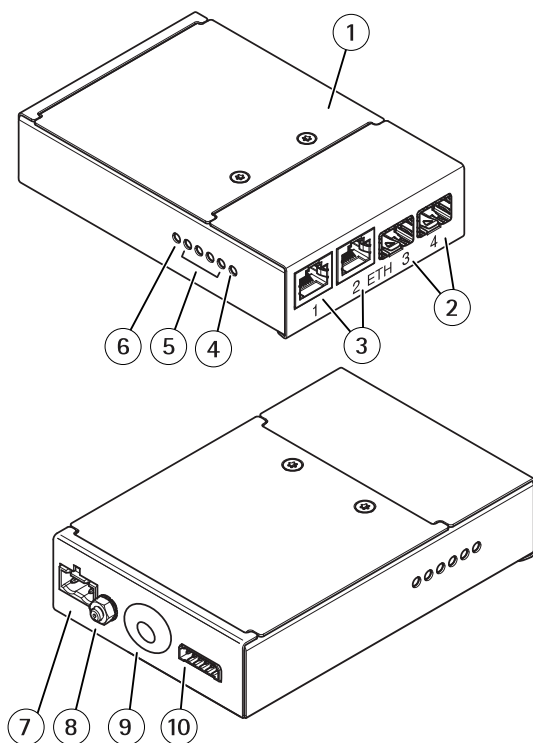
Commutateur de convertisseur de média AXIS T8606 - vue extérieure



- 1 Couverture
- 2 Connecteur réseau SFP (x2)
- 3 Connecteur réseau RJ45 (x2)
- 4 Indicateur LED réseau (x4)
- 5 Indicateur LED d'alimentation
- 6 Connecteur d'alimentation (entrée CC)
- 7 Vis de mise à la terre

Commutateur de convertisseur de média AXIS T8607 - vue extérieure

FR



- 1 Couverture
- 2 Connecteur réseau SFP (x2)
- 3 Connecteur réseau RJ45 (x2)
- 4 Voyant LED du réseau de caméra
- 5 Indicateur LED réseau (x4)
- 6 Indicateur LED d'alimentation
- 7 Connecteur d'alimentation (entrée CC)
- 8 Vis de mise à la terre
- 9 Entrée de câble multiple
- 10 Connecteur pour terminal E/S

Comment installer le produit

Outils recommandés

- Tournevis Torx® T10
- Pince à sertir pour cosses de câble (câble de mise à la terre)
- Clé 7 mm (pour vis de mise à la terre)
- Tournevis plat 2,5 mm
- Outil de dénudage de câble (pour raccordement de câble à AXIS T8607)

Installation du commutateur du convertisseur de média AXIS T8606

AVIS

- Le commutateur du convertisseur de média doit être installé dans un environnement protégé contre la poussière et l'eau, par exemple en intérieur ou dans une armoire.
- Le commutateur du convertisseur de média doit être branché au réseau à l'aide de câbles blindés (STP) prévus à cet effet. Assurez-vous que le commutateur est convenablement mis à la terre. Pour connaître les exigences réglementaires, reportez-vous à .

Pour une présentation des composants matériels, consultez *page 24*.

1. Fixez l' interrupteur du convertisseur de media sur le mur ou fixez-le sur un rail DIN dans l'armoire.
2. Connectez les câbles réseau aux connecteurs réseau (RJ45, SFP), comme requis.
3. Connectez le câble d'alimentation au connecteur d'alimentation (DC input).
4. Mettez l' interrupteur à la terre en le connectant à la vis de mise à la terre.
5. Assurez-vous que les voyants LED sur le commutateur de convertisseur de média indiquent les conditions correctes, reportez-vous à *Voyants LED du commutateur de convertisseur de média page 33*.

Note

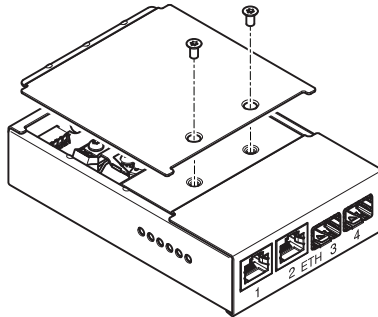
Si vous souhaitez configurer un système qui utilise des étiquettes VLAN, les commutateurs DIP du produit doivent être réglés correctement. Cf. *Commutateur DIP de connecteur réseau page 36*.

Installation du commutateur du convertisseur de média AXIS T8607

AVIS

- Il faut s'assurer que les branchements à l'alimentation de secteur et conduits ont été effectués par un professionnel qualifié, selon les instructions du fabricant et en conformité avec la réglementation locale.

- L'alimentation (vendue séparément) et le commutateur de convertisseur de média doivent être installés dans un environnement à l'abri de la poussière et de l'eau, par exemple en intérieur ou dans une armoire appropriée.
1. Assurez-vous que l'alimentation de secteur est arrêtée.
 2. Montez l'alimentation et le commutateur du convertisseur de média sur le mur ou attachez-les à un rail DIN dans l'armoire. S'il s'avère nécessaire de percer, vérifiez que les forets, vis et chevilles à utiliser sont appropriés pour le matériau.
 3. Desserrez les vis et retirez le couvercle du commutateur de convertisseur de média.



4. Passez l'extrémité du câble multiple dans le joint de câble situé à l'arrière de l'unité et tirez suffisamment dessus de sorte qu'il soit facile à manipuler.

Important

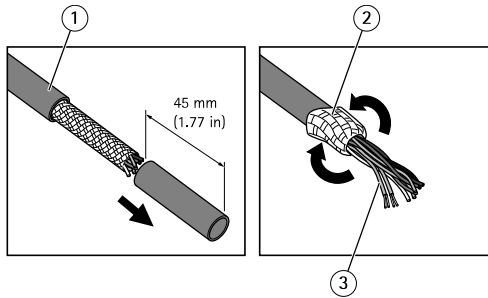
Si vous avez besoin de raccourcir le câble fourni, suivez les étapes 5 à 10. Sinon, passez à l'étape 11.

5. Enlevez environ 45 mm (1,77 po.) en partant de l'extrémité de la gaine du câble multiple.
6. Ne touchez pas au blindage tressé, mais repliez-le pour qu'il fasse environ 20 mm (0,79 po.) de long.
7. Coupez 16 mm (0,63 po.) de la feuille de blindage du câble Ethernet.
8. Retirez 8 mm (0,31 po.) d'isolant des quatre câbles Ethernet (vert, vert/blanc, orange et orange/blanc).
9. Retirez 8 mm (0,31 po.) d'isolant des deux câbles E/S (bleu et jaune).
10. Retirez 5 mm (0,20 po.) d'isolant des trois câbles d'alimentation (rouge, rouget et noir).

Important

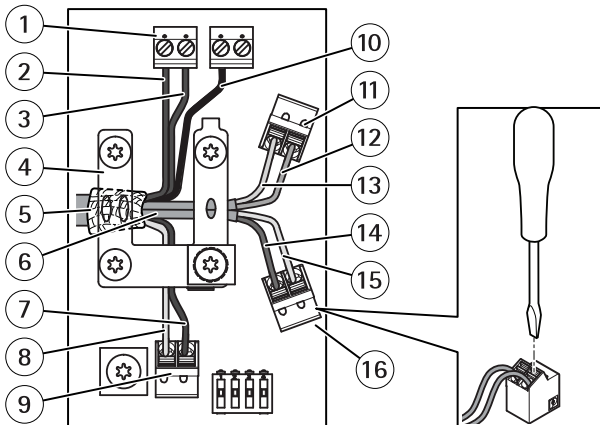
- Une fois l'isolant retiré, les câbles Ethernet et d'alimentation doivent être recouverts d'étain pour assurer une bonne connexion.
- Les câbles Ethernet doivent être de la même longueur et doivent dépasser de l'extrémité du blindage tressé d'environ 25 mm (1 po.).

AXIS T86 Media Converter Switch Series



- 1 Gaine de câble multiple
- 2 Blindage tressé
- 3 Feuille de blindage du câble Ethernet (x2)

11. Connectez les fils réseau et les fils E/S aux connecteurs de réseau interne (11, 16) et au connecteur E/S (9). Pour ouvrir ces connecteurs, abaissez la languette à l'aide d'un tournevis plat. Insérez le fil, puis refermez.
12. Connectez les fils de mise à la masse et d'alimentation au connecteur d'alimentation (sortie CC (1)).



- 1 Connecteur d'alimentation (sortie CC)
- 2 Fil d'alimentation (rouge)
- 3 Fil d'alimentation (rouge)
- 4 Pince
- 5 Bobine de blindage tressé
- 6 Blindage du câble Ethernet (x2)
- 7 Fil de réseau E/S numérique (bleu)

- 8 *Fil de réseau E/S numérique (jaune)*
- 9 *Connecteur E/S (interne)*
- 10 *Fil de mise à la masse (noir)*
- 11 *Connecteur Ethernet (interne)*
- 12 *Câble Ethernet (vert)*
- 13 *Câble Ethernet (vert/blanc)*
- 14 *Câble Ethernet (orange)*
- 15 *Câble Ethernet (orange/blanc)*
- 16 *Connecteur Ethernet (interne)*

- 13. Tirez avec précaution l'excédent de câble multiple et faites le repasser par le joint.
- 14. Assurez-vous que la pince est en place, insérez la bobine de blindage tressé dans le clip de mise à la masse et serrez les vis.

AVIS

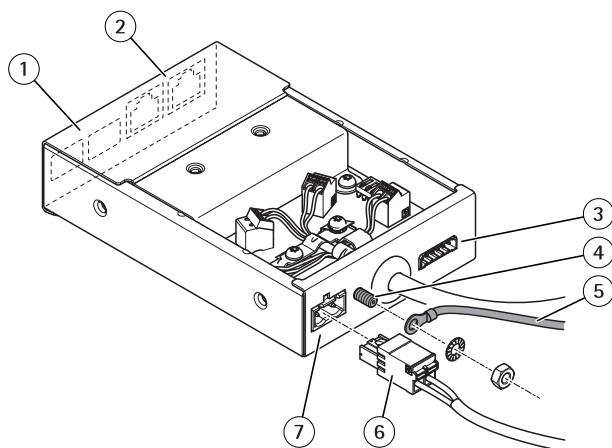
- Les blindages et les surfaces de la pince doivent être en contact total, de sorte que le câble multiple soit mis à la masse.
 - Assurez-vous que la gaine de câble multiple est solidement fixée par la bride.
 - Assurez-vous que toutes les surfaces et que tous les contacts sont propres et exempts de résidus de matériaux de blindage.
- 15. Connectez les câbles réseau aux connecteurs réseau externes (RJ45, SFP), si nécessaire.

Note

Un module SFP (non fourni) doit être utilisé pour la connexion d'un câble à fibres optiques.

- 16. Le cas échéant, connectez un dispositif E/S au connecteur E/S externe.
- 17. Connectez le câble d'alimentation (entrée CC) au connecteur d'alimentation (entrée CC) via la fiche du bloc terminal.
- 18. Reliez le fil de mise à la terre à la vis de mise à la terre.

AXIS T86 Media Converter Switch Series



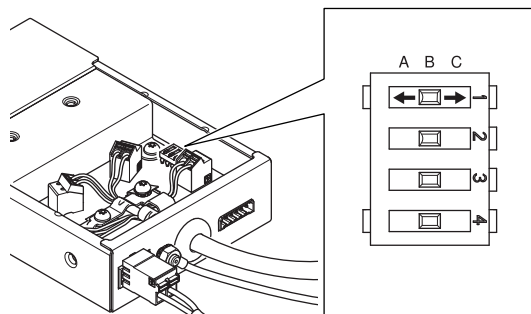
- 1 Connecteur réseau SFP (externe) (x2)
- 2 Connecteur réseau RJ45 (externe) (x2)
- 3 Connecteur E/S (externe)
- 4 Vis de mise à la terre
- 5 Fil de mise à la terre
- 6 Câble d'alimentation (entrée CC)
- 7 Connecteur d'alimentation (entrée CC)

19. Si vous connectez plusieurs commutateurs de convertisseur de média en cascade, vous devez configurer le commutateur DIP de chaque port du connecteur réseau sortant à un autre commutateur de convertisseur de média à la position C.

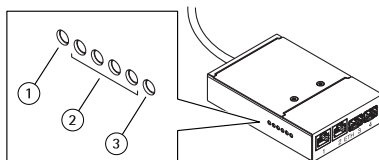
Laissez le commutateur DIP sur sa position par défaut (position B) lorsque vous connectez le port directement au réseau. Pour en savoir plus, consultez *Connecteurs du commutateur de convertisseur de média* page 33.

Important

Si le système n'est pas défini, utilisez le commutateur DIP sur sa position par défaut (position B).



20. Remplacez le couvercle sur le commutateur, puis serrez les vis.
21. Branchez l'alimentation électrique.
22. Assurez-vous que les voyants LED sur le commutateur de convertisseur de média indiquent les conditions appropriées. Pour en savoir plus, consultez *Voyants LED du commutateur de convertisseur de média* page 33.



- 1 *Voyant LED d'alimentation*
- 2 *Voyant DEL réseau (x4) ETH 1/2/3/4*
- 3 *Voyant de la caméra*

AXIS T86 Media Converter Switch Series

Informations complémentaires

- Pour obtenir la version la plus à jour de ce document, voir axis.com
- Pour accéder à des formations et webinaires en ligne utiles, voir axis.com/academy

Accessoires en option

Pour une liste complète des accessoires disponibles pour ce produit, accédez à la page du produit sur axis.com et sélectionnez Logiciel et accessoires.

Caractéristiques

Pour obtenir la dernière version de la fiche technique du produit, rendez-vous sur la page du produit sur le site *axis.com* et trouvez l'option **Support & Documentation (Assistance et documentation)**.

Voyants LED du commutateur de convertisseur de média

FR

LED	Couleur	Indication
Alimentation	Éteint	Alimentation CC déconnectée ou dispositif de protection ampère-métrique activé (surcharge)
	Vert	Alimentation CC connectée.
Réseau (x4)	Orange	Connexion 10 Mbit. Clignote pendant l'activité.
	Vert	Connexion 100/1 000 Mbit. Clignote pendant l'activité.
Caméra réseau (AXIS T8607 seulement)	Vert	Connexion 100 Mbit. Clignote pendant l'activité.

Connecteurs

Connecteurs du commutateur de convertisseur de média

AVIS

Le produit doit être connecté à l'aide d'un câble réseau blindé (STP). Tous les câbles reliant le produit au commutateur réseau doivent être destinés à leur usage spécifique. Assurez-vous que les périphériques réseau sont installés conformément aux instructions du fabricant. Pour plus d'informations sur les exigences réglementaires, consultez *Electromagnetic compatibility (EMC) on page 4*.

Important

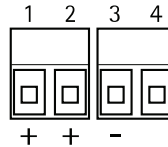
Le commutateur de convertisseur de média ne peut être remplacé à chaud. Déconnectez l'alimentation du commutateur avant de remplacer les caméras. Un remplacement à chaud peut bloquer le commutateur, auquel cas il doit être redémarré.

AXIS T86 Media Converter Switch Series

Connecteurs de la caméra

Connecteur d'alimentation

Blocs terminaux à 2 broches pour la sortie d'alimentation (la broche 4 n'est pas utilisée).



Fonction		Broche	Remarques
Sortie CC	24 V CC	1, 2	Sortie d'alimentation vers la caméra
	0 V CC (-)	3	
	Sans objet	4	Sans objet

Connecteurs réseau

Bloc terminal Ethernet à 2 broches (x2).



Connecteur pour terminal E/S

Bloc terminal à 2 broches.



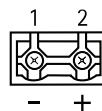
Connecteurs externes

Vis de mise à la terre

Vis de mise à la terre pour raccorder à la terre le commutateur de convertisseur de média. Assurez-vous que les deux extrémités du câble de mise à la terre sont en contact avec les surfaces de mise à la terre correspondantes.

Connecteur d'alimentation

Bloc terminal à 2 broches pour l'alimentation.



Fonction		Broche	Remarques
Entrée CC	0 V CC (-)	1	
	24 V CC	2	Entrée de courant provenant de l'alimentation (vendue séparément)

Connecteur réseau RJ45

Deux connecteurs RJ45 (10/100Base-T) pour le réseau.

Emplacement réseau SFP

Deux emplacements SFP (100Base-FX/1000Base-X) pour le réseau.

Chaque port RJ45 et SFP utilise son propre commutateur DIP. Les commutateurs DIP contrôlent la transmission des données par le port. Pour en savoir plus, consultez *page 36*.

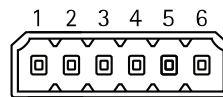
Connecteur pour terminal E/S

Bloc terminal E/S configurable à 6 broches qui est connecté à la caméra à travers le câble multiple. Utilisez-le avec des périphériques externes associés aux applications telles que les alarmes de détérioration, la détection de mouvement, le déclenchement d'événements, l'enregistrement à intervalles et les notifications d'alarme. En plus du point de référence 0 V CC et de l'alimentation (sortie CC), le connecteur d'E/S fournit une interface aux éléments suivants :

- **Sortie numérique** – Permet de connecter des dispositifs externes, comme des relais ou des voyants. Les appareils connectés peuvent être activés par l'interface de programmation VAPIX®, des boutons de sortie sur la page Live View (Vidéo en direct) ou par une règle d'action. La sortie est considérée comme étant active (affichée dans **System Options > Port & Devices > Port Status** (Options du système > Port et périphériques > État du port)) si le dispositif de l'alarme est activé.
- **Entrée numérique** – Entrée d'alarme utilisée pour connecter des dispositifs pouvant passer d'un circuit ouvert à un circuit fermé, par exemple : détecteurs infrarouge passifs, contacts de porte/fenêtre, détecteurs de bris de verre, etc. À la réception d'un signal, l'état change et l'entrée s'active (sous **System Options > Port & Devices > Port Status** (Options du système > Port et dispositifs > État du port)).

Bloc terminal à 6 broches pour :

- Entrée/sortie (E/S) numérique
- Alimentation (Sortie CC)
- 0 V CC (-)



AXIS T86 Media Converter Switch Series

Fonction	Broche	Notes	Caractéristiques
0 V CC (-)	1, 4, 6		0 V CC
Sortie CC	2	Sortie d'alimentation	12 V CC, 50 mA
Configurable E/S 1 (entrée ou sortie)	3	Entrée numérique	0 à 30 V CC max.)
		Sortie numérique (transistor à collecteur ouvert)	0 à 30 V CC max., drain ouvert, 100 mA
Configurable E/S 2 (entrée ou sortie)	5	Entrée numérique	0 à 30 V CC max.
		Sortie numérique (transistor à collecteur ouvert)	0 à 30 V CC max., drain ouvert , 100 mA

Commutateur DIP de connecteur réseau

Important

Utilisez toujours le commutateur DIP sur sa position par défaut (position B) si la relation entre les périphériques du système n'est pas définie.

La caméra joint une étiquette VLAN spécifique à tous les packages multicast transmis. Le commutateur de convertisseur de média gère la façon dont les packages multicast sont transmis entre les caméras, les commutateurs de convertisseurs de média et d'autres périphériques réseau. Ceci s'avère particulièrement pratique lors de la connexion de la caméra et du commutateur de convertisseur de média au réseau en cascade.

Si vous changez la position du commutateur DIP, chaque port de connecteur réseau du commutateur de convertisseur de média peut être configuré pour gérer les multicasts de trois façons différentes.

Position du commutateur DIP	Description
Défaut (milieu)	B Supprimez les étiquettes VLAN des packages multicast transmis. Utilisez ce réglage lors de la connexion au réseau, directement ou à travers un routeur ou un commutateur de réseau.

AXIS T86 Media Converter Switch Series

FR

Gauche	A	Bloquez les packages multicast qui ont une étiquette VLAN. Utilisez ce réglage lors de la connexion à un appareil qui n'est pas réservé à la visualisation multicast.
Droit	C	Transmettez des packages multicast avec une étiquette VLAN. Utilisez ce réglage lors de la connexion à un autre commutateur de convertisseur de média.

Les étiquettes VLAN sont utilisées pour créer des réseaux logiques indépendants, des réseaux locaux virtuels (VLAN), dans un réseau physique. Des commutateurs de convertisseur de média multiples raccordés entre eux en cascade font partie du même VLAN. Les commutateurs de convertisseur de média affectent une étiquette aux packages multicast voyageant entre eux de sorte que le commutateur de convertisseur de média suivant dans la ligne connaît la destination des packages. En d'autres termes, l'étiquette VLAN sert d'identifiant VLAN. Les étiquettes VLAN doivent être utilisées uniquement lors de l'utilisation de caméras multiples et de commutateurs de convertisseur de média car la transmission de packages multicast avec une étiquette VLAN n'est utile que lorsque le port est raccordé à un autre commutateur de convertisseur de média potentiellement raccordé à des visionneurs éventuels.

Note

Si vous raccordez le connecteur réseau d'un commutateur de convertisseur de média sortant à un autre type de périphérique réseau, configurez le commutateur DIP en position A pour protéger le périphérique d'un trafic multicast.

Conditions d'utilisation

Température	- 40 °C à 75 °C (- 40 °F à 167 °F)
Humidité	Humidité relative de 10 à 85 % (sans condensation)

Caractéristiques d'alimentation

Produit	Tension	Courant nominal minimum pour une alimentation électrique externe
Commutateur de convertisseur de média AXIS T8606	24 V CC	0,15 A
Commutateur de convertisseur de média AXIS T8607	24 V CC	3,2 A

Informations sur la sécurité

Niveaux de risques

▲ DANGER

Indique une situation dangereuse qui, si elle n'est pas évitée, entraînera le décès ou des blessures graves.

▲ AVERTISSEMENT

Indique une situation dangereuse qui, si elle n'est pas évitée, pourrait entraîner le décès ou des blessures graves.

▲ ATTENTION

Indique une situation dangereuse qui, si elle n'est pas évitée, pourrait entraîner des blessures légères ou modérées.

AVIS

Indique une situation qui, si elle n'est pas évitée, pourrait endommager l'appareil.

Autres niveaux de message

Important

Indique les informations importantes, nécessaires pour assurer le bon fonctionnement de l'appareil.

Note

Indique les informations utiles qui permettront d'obtenir le fonctionnement optimal de l'appareil.

Consignes de sécurité

▲AVERTISSEMENT

Le produit Axis doit être installé par un professionnel qualifié et conformément aux lois et réglementations locales en vigueur.

AVIS

- Le produit Axis doit être utilisé conformément aux lois et règlements locaux.
- Axis recommande d'utiliser un câble réseau blindé (STP).
- Conserver ce produit Axis dans un environnement sec et ventilé.
- Ne pas exposer ce produit Axis aux chocs ou aux fortes pressions.
- Ne pas installer ce produit sur des poteaux, supports, surfaces ou murs instables.
- Ne pas installer ce produit sur des poteaux, supports, surfaces ou murs soumis à des vibrations.
- Utiliser uniquement des outils recommandés pour l'installation de l'appareil Axis. L'application d'une force excessive sur l'appareil avec des outils puissants pourrait l'endommager.
- Ne pas utiliser de produits chimiques, de substances caustiques ou de nettoyeurs pressurisés.
- Utiliser un chiffon propre imbibé d'eau pure pour le nettoyage.
- Utiliser uniquement des accessoires conformes aux caractéristiques techniques de votre produit. Ils peuvent être fournis par Axis ou un tiers. Axis recommande d'utiliser un équipement d'alimentation Axis compatible avec votre produit.
- Utiliser uniquement les pièces de rechange fournies ou recommandées par Axis.
- Ne pas essayer de réparer vous-même ce produit. Contacter l'assistance technique d'Axis ou votre revendeur Axis pour des problèmes liés à l'entretien.
- L'alimentation électrique doit être branchée à une prise de courant installée près de l'équipement et être facilement accessible.

Transport

AVIS

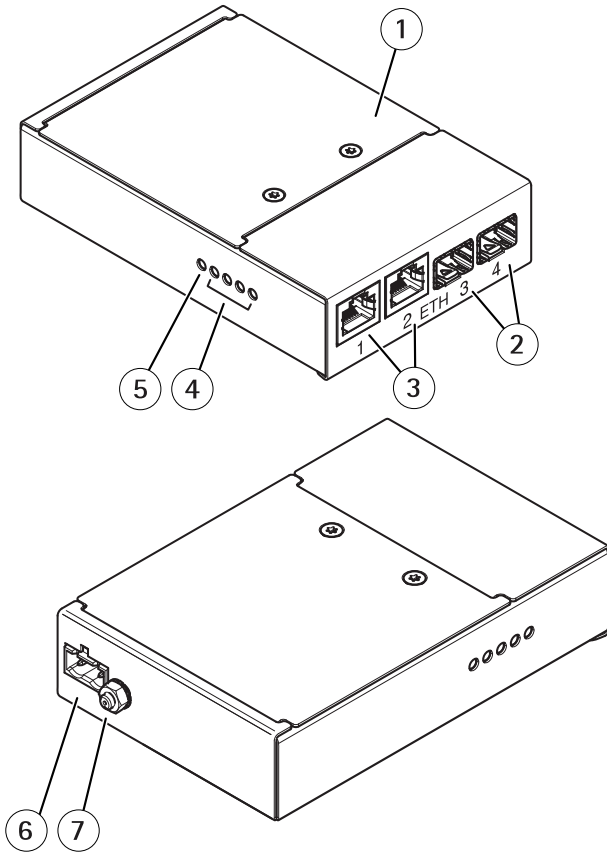
- Lors du transport du produit Axis, utilisez l'emballage d'origine ou un équivalent pour éviter d'endommager le produit.

Lieferumfang

- AXIS T8606/T8607 Media Converter-Switch
- Montageausrüstung
 - Halterung für DIN-Halterung
 - Schraube (2x)
- Gedruckte Dokumente
 - Installationsanleitung (dieses Dokument)

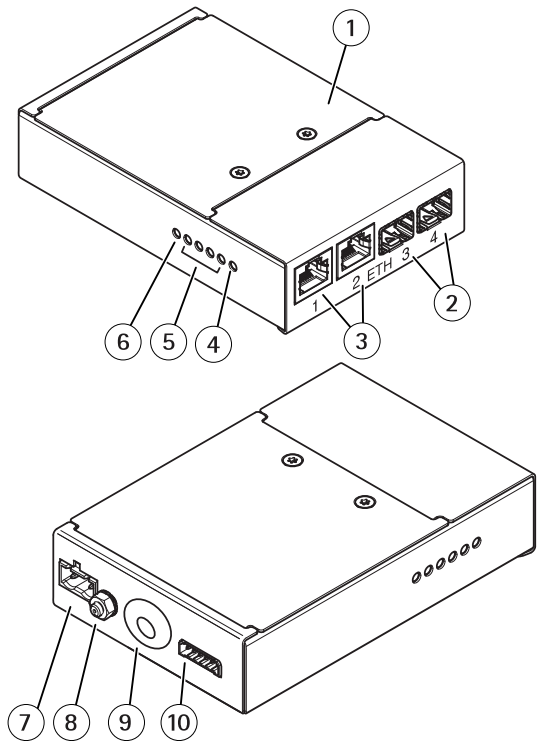
Übersicht über die Hardware

AXIS T8606 Media Converter Switch – Außenansicht



- 1 Abdeckung
- 2 Netzwerk-Anschluss SFP (2 St.)
- 3 Netzwerk-Anschluss RJ45 (2 St.)
- 4 Netzwerk-LED-Anzeige (4 x)
- 5 LED-Betriebsanzeige
- 6 Netzanschluss (Gleichstromeingang)
- 7 Erdungsschraube

AXIS T8607 Media Converter Switch – Außenansicht



- 1 Abdeckung
- 2 Netzwerk-Anschluss SFP (2 St.)
- 3 Netzwerk-Anschluss RJ45 (2 St.)
- 4 LED-Netzwerk-Anzeige der Kamera
- 5 Netzwerk-LED-Anzeige (4 x)
- 6 LED-Betriebsanzeige
- 7 Netzanschluss (Gleichstromeingang)
- 8 Erdungsschraube
- 9 Multikabeleingang
- 10 E/A-Anschluss

Installieren des Produkts

Empfohlene Werkzeuge

- Schraubendreher Torx® T10
- Kabelschuhzange (für Erdungskabel)
- Schraubenschlüssel 7 mm (für Erdungsschraube)
- 2,5 mm-Schlitzschraubenzieher
- Abisolierwerkzeug (für Kabelverbindungen zu AXIS T8607)

Installieren des AXIS T8606 Media Converter Switch

HINWEIS

- Der Media Converter Switch sollte in einer gegen Staub und Wasser geschützten Umgebung installiert werden, zum Beispiel im Haus oder in einem passenden Schrank.
- Der Media Converter Switch sollte mit geschirmten Netzkabeln (Shielded Network Cable, STP) gemäß ihrer bestimmungsgemäßen Verwendung verbunden werden. Sicherstellen, dass der Switch ordnungsgemäß geerdet ist. Für Informationen zu gesetzlichen Bestimmungen, siehe .

Für eine Übersicht der Hardware-Komponenten, siehe *Seite 42*.

1. Den Media Converter Switch an der Wand oder an einer DIN-Schiene im Schrank montieren.
2. Die Netzkabel an die Netzwerkanschlüsse (RJ45, SFP) anschließen.
3. Verbinden Sie das Netzkabel mit dem Stromanschluss (Gleichstromeingang).
4. Erden Sie den Schalter durch eine Verbindung mit der Erdungsschraube.
5. Sicherstellen, dass die LED-Anzeigen des Media Converter Switch vorgabegemäß anzeigen. Siehe dazu *LED-Anzeigen am Media Converter Switch auf Seite 51*.

Beachten

Für ein System das VLAN-Tags verwendet, die Kippschalter des Produkts gemäß Vorgabe einstellen. Siehe *Netzwerkanschluss-DIP-Schalter auf Seite 54*.

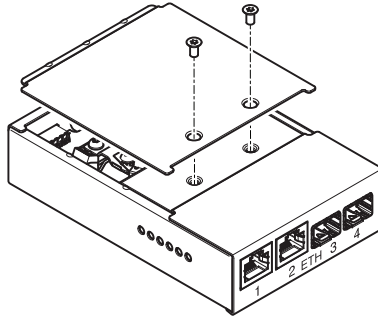
Den AXIS T8607 Media Converter Switch installieren

HINWEIS

- Stellen Sie sicher, dass die Anschlüsse zur Stromversorgung und die Leiter nach den Anweisungen des Herstellers und entsprechend den örtlichen Vorschriften von einem Fachmann installiert werden.
 - Das Netzteil (separat erhältlich) und der Media Converter Switch müssen in einer Umgebung installiert werden, die Schutz gegen Staub und Wasser bietet, z. B. in geschlossenen Räumen oder in einem geeigneten Schrank.
1. Stellen Sie sicher, dass die Stromzufuhr abgeschaltet ist.

AXIS T86 Media Converter Switch Series

2. Die Stromquelle und den Media Converter Switch an der Wand oder an eine DIN-Schiene im Schrank montieren. Falls das Bohren von Löchern erforderlich ist, stellen Sie sicher, dass die Bohrer, Schrauben und Dübel für den Baustoff der Wand geeignet sind.
3. Die Schrauben lösen und die Abdeckung vom Media Converter Switch nehmen.



DE

4. Drücken Sie das Ende des Mehrfachkabels durch die Kabeldurchführung auf der Rückseite des Geräts und ziehen Sie es weit genug durch, damit es einfach zu handhaben ist.

Wichtig

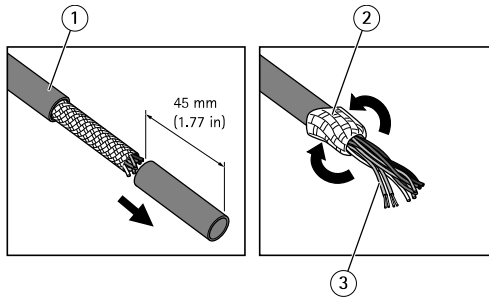
Falls das Kabel gekürzt werden muss, befolgen Sie Schritte 5 bis 10. Andernfalls weiter mit Schritt 11.

5. Etwa 45 mm der Ummantelung vom Ende des Mehrfachkabels entfernen.
6. Lassen Sie die Drahtgeflechtabschirmung intakt, aber falten Sie diese so zurück, dass sie noch 20 mm lang ist.
7. Schneiden Sie etwa 16 mm der Folienabschirmung des Ethernetkabels ab.
8. Entfernen Sie 8 mm der Isolierung von den vier Ethernetkabeln (grün, grün/weiß, orange und orange/weiß).
9. Entfernen Sie 8 mm der Isolierung von den zwei Ein-/Ausgangskabeln (blau und gelb).
10. Entfernen Sie 5 mm der Isolierung von den drei Netzkabeln (rot, rot und schwarz).

Wichtig

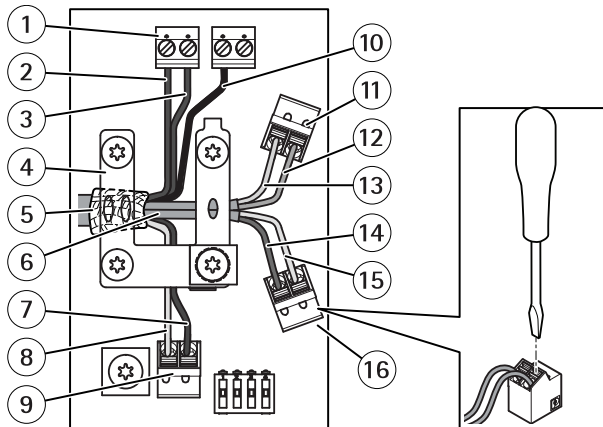
- Nach dem Entfernen der Isolierung müssen die Netz- und Ethernetkabel verzinnt werden, um eine vernünftige Verbindung zu gewährleisten.
- Die Ethernetkabel müssen gleich lang sein und jeweils etwa 25 mm aus der Drahtgeflechtabschirmung herausragen.

AXIS T86 Media Converter Switch Series



- 1 Ummantelung des Mehrfachkabels
- 2 Geflechtschirm
- 3 Folienabschirmung des Ethernetkabels (2 St.)

11. Die Kabel für Netzwerk und E/A an die internen Netzwerkanschlüsse (11, 16) und den E/A-Anschluss (9) anschließen. Diese Anschlüsse öffnen, indem Sie einen Schlitzschraubendreher in die Schlitz drücken. Das Kabel einführen und freigeben.
12. Die Kabel für Erdung und Strom an den Netzanschluss (Gleichstromausgang 1) anschließen.



- 1 Netzanschluss (Gleichstromausgang)
- 2 Stromversorgung (rot)
- 3 Stromversorgung (rot)
- 4 Schelle
- 5 Anschluss des Geflechtschirms
- 6 Folienabschirmung des Ethernetkabels (2 St.)
- 7 Digitales E/A-Kabel (blau)

- 8 *Digitales E/A-Kabel (gelb)*
- 9 *E/A-Anschluss (intern)*
- 10 *Erdungskabel (schwarz)*
- 11 *Ethernetanschluss (intern)*
- 12 *Ethernetkabel (grün)*
- 13 *Ethernetkabel (grün/weiß)*
- 14 *Ethernetkabel (orange)*
- 15 *Ethernetkabel (orange/weiß)*
- 16 *Ethernetanschluss (intern)*

13. Überschüssiges Mehrfachkabel vorsichtig durch die Kabeldurchführung herausziehen.
14. Sicherstellen, dass die Schelle angebracht ist. Den Anschluss des Geflechtschirms in die Erdungsklemme einsetzen und die Schrauben anziehen.

DE

HINWEIS

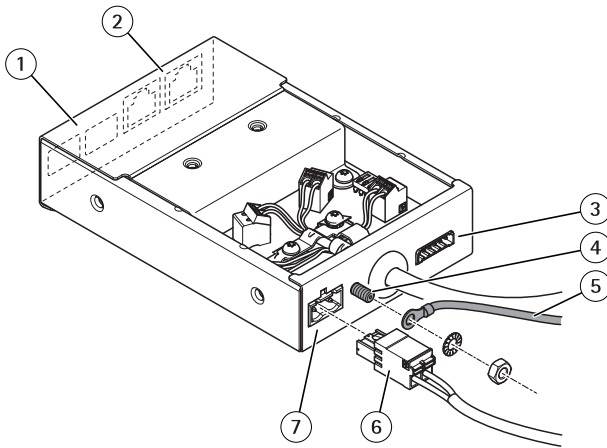
- Die Abschirmungen und die Schellenoberflächen müssen flächig vollständig miteinander in Kontakt stehen. Dies ist für das Erden des Mehrfachkabels unerlässlich.
 - Stellen Sie sicher, dass die Ummantelung des Mehrfachkabels sicher mit der Klemme befestigt ist.
 - Vergewissern Sie sich, dass alle Flächen und Kontakte sauber und frei von Abschirmungsmaterialresten sind.
15. Die Netzwerk-Kabel gemäß Vorgabe an die externen Netzwerkanschlüsse (RJ45, SFP) anschließen.

Beachten

Zum Anschließen an ein Glasfaserkabel ist ein SFP-Modul (nicht enthalten) erforderlich.

16. Falls verwendet, das E/A-Gerät an den externen E/A-Anschluss anschließen.
17. Das Stromkabel (Gleichstromeingang) anschließen. Dazu den Stecker (Gleichstromeingang) in die Buchse der Klemmleiste einsetzen.
18. Das Erdungskabel an der Erdungsschraube befestigen.

AXIS T86 Media Converter Switch Series



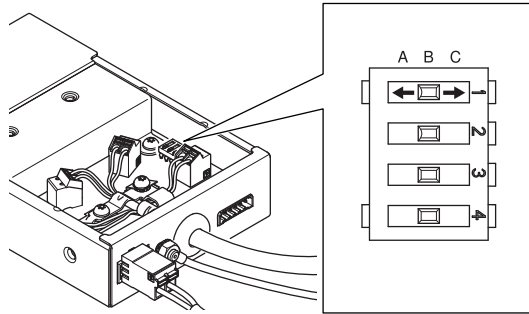
- 1 Netzwerk-Anschluss SFP (extern) (2 St.)
- 2 Netzwerk-Anschluss RJ45 (extern) (2 St.)
- 3 E/A-Anschluss (extern)
- 4 Erdungsschraube
- 5 Erdungsleitung
- 6 Stromkabel (Gleichstromeingang)
- 7 Netzanschluss (Gleichstromeingang)

19. Wenn mehrere Media Converter Switches über eine Daisy Chain miteinander verbunden werden: Die Kippschalter an allen Ausgangsports, die im Netzwerk zu einem anderen Media Converter Switch leiten, auf Position C stellen.

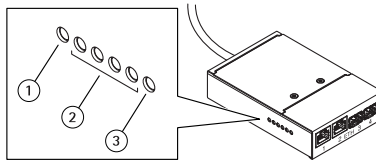
Wenn der Port direkt mit dem Netzwerk verbunden wird, belassen Sie den DIP-Schalter in der Standardposition (Position B). Weitere Informationen finden Sie unter *Anschlüsse des Media Converter-Switches auf Seite 51*.

Wichtig

Wenn das System undefiniert ist, die Standardposition (B) des Kippschalters wählen.



20. Die Abdeckung auf den Switch setzen und die Schrauben anziehen.
21. Den Strom einschalten.
22. Stellen Sie sicher, dass die LED-Anzeigen am Schalter des Media Converter Switch die korrekten Bedingungen anzeigen. Weitere Informationen finden Sie unter *LED-Anzeigen am Media Converter Switch auf Seite 51*



- 1 LED-Betriebsanzeige
- 2 Netzwerk-LED-Anzeige (4 St.) ETH 1/2/3/4
- 3 Kamera-LED-Anzeige

Weitere Informationen

- Die aktuelle Version dieses Dokuments finden Sie auf axis.com
- Nützliches Onlinetraining und Webinare finden Sie unter axis.com/academy.

Optionales Zubehör

Eine vollständige Liste lieferbaren Zubehörs für dieses Produkt finden Sie auf axis.com unter Produkt, Software und Zubehör.

Technische Daten

Die aktuelle Version des technischen Datenblatts für das Produkt finden Sie auf axis.com unter **Support und Dokumentation**.

LED-Anzeigen am Media Converter Switch

LED	Farbe	Bedeutung
Stromversorgung	Leuchtet nicht	Gleichstrom nicht angeschlossen oder Stromschutz eingeschaltet (Überlastung)
	Grün	Gleichstrom angeschlossen.
Netzwerk (4 St.)	Gelb	10-Mbit-Anschluss. Blinkt bei Aktivität.
	Grün	Anschluss 100/1000 Mbit Blinkt bei Aktivität
Kameranetzwerk (nur AXIS T8607)	Grün	Anschluss 100 Mbit Blinkt bei Aktivität

DE

Anschlüsse

Anschlüsse des Media Converter-Switches

HINWEIS

Das Produkt muss mit einem abgeschirmten Netzkabel (STP) angeschlossen werden. Alle Kabel, die das Produkt mit dem Netzwerkschalter verbinden, müssen hierfür ausgelegt sein. Stellen Sie sicher, dass die Netzwerkgeräte gemäß den Anweisungen des Herstellers installiert wurden. Informationen zu gesetzlichen Bestimmungen finden Sie unter *Electromagnetic compatibility (EMC) on page 4*.

Wichtig

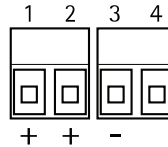
Ein Hot-Swap ist mit dem Media Converter-Switch nicht möglich. Trennen Sie den Schalter vom Netz, bevor Sie die Kameras wechseln. Beim Versuch des Hot-Swap funktioniert der Schalter möglicherweise nicht mehr ordnungsgemäß und muss neu gestartet werden.

AXIS T86 Media Converter Switch Series

Kameraanschlüsse

Netzanschluss

Zwei zweipolige Klemmenleisten für Stromausgang (Kontakt 4 wird nicht verwendet).



Funktion		Kontakt	Hinweise
Gleichstromausgang	24 V Gleichstrom	1, 2	Stromausgang zur Kamera
	0 V (-) Gleichstrom	3	
	k. A.	4	k. A.

Netzwerkanschlüsse

Zwei zweipolige Ethernet-Klemmenleisten.



E/A-Klemmanschluss

2-polige Klemmleiste.



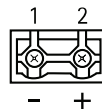
Externe Anschlüsse

Erdungsschraube

Erdungsschraube zum Erden des Medienkonverter-Switches. Sorgen Sie dafür, dass beide Enden des Erdungskabels Kontakt mit den entsprechenden Erdungsflächen haben.

Netzanschluss

2-polige Klemmleiste für die Stromversorgung.



Funktion		Kontakt	Hinweise
Gleichstromeingang	0 V (-) Gleichstrom	1	
	24 V Gleichstrom	2	Stromeingang von Stromquelle (separat erhältlich)

Netzwerkanschluss RJ45

Zwei RJ45-Anschlüsse (10/100Base-T) für Netzwerkverbindung.

Netzwerksteckplatz, SFP

Zwei SFP-Steckplätze (100Base-FX/1000Base-X) für Netzwerk.

DE

Jeder RJ45- und SFP-Port verfügt über einen eigenen DIP-Schalter. Mit den DIP-Schaltern wird die Datenübertragung vom Port gesteuert. Weitere Informationen finden Sie unter *Seite 54*.

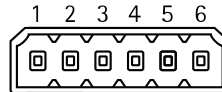
E/A-Klemmanschluss

6-polige konfigurierbare E/A-Klemmenleiste, die über das Mehrfachkabel an die Kamera angeschlossen ist. Zur Verwendung mit externen Geräten in Verbindung mit Manipulationsalarmen, Bewegungserkennung, Ereignisauslösung, Zeitrafferaufnahmen, Alarmbenachrichtigungen usw. Abgesehen vom 0 V Gleichstrom-Bezugspunkt und einer Strom (Gleichstromausgang) verfügt die E/A-Klemmenleiste über eine Schnittstelle zu:

- **Digitalausgang** – Zum Anschluss externer Geräte wie Relais und LEDs. Angeschlossene Geräte können über die VAPIX® Application Programming Interface (Programmierschnittstelle) über die Schaltflächen für den Ausgang auf der Seite „Live View“ oder durch eine Aktionsregel aktiviert werden. Der Ausgang wird als aktiviert (siehe **System Options > Ports & Devices > Port Status**[Systemoptionen > Ports & Geräte > Port Status]) angezeigt, wenn das Alarmmeldegerät eingeschaltet ist.
- **Digitaleingang** – Alarmeingang für den Anschluss von Geräten, die zwischen geöffnetem und geschlossenem Schaltkreis wechseln können, z. B.: PIR-Kameras, Tür-/Fensterkontakte, Glasbruchmelder usw. Bei Empfang eines Signals ändert sich der Status und der Eingang wird aktiviert (siehe **System Options > Ports & Devices > Port Status (Systemoptionen > Ports & Geräte > Port Status)**).

6-polige Klemmenleiste für:

- Digitale E/A
- Stromversorgung (Gleichstromausgang)
- 0 V (-) Gleichstrom



Funktion	Kontakt	Hinweise	Technische Daten
0 V (-) Gleichstrom	1, 4, 6		0 V Gleichstrom

AXIS T86 Media Converter Switch Series

Gleichstromausgang	2	Stromausgang	12 V Gleichstrom, 50 mA
Konfigurierbar E/A 1 (Eingang oder Ausgang)	3	Digitaleingang	0 bis max. 30 V Gleichstrom
		Digitalausgang (Transistor, offener Kollektor)	0 bis max. 30 V Gleichstrom, Open Drain, 100 mA
Konfigurierbar E/A 2 (Eingang oder Ausgang)	5	Digitaleingang	0 bis max. 30 V Gleichstrom
		Digitalausgang (Transistor, offener Kollektor)	0 bis max. 30 V Gleichstrom, Open Drain, 100 mA

Netzwerkanschluss-DIP-Schalter

Wichtig

Wenn die Beziehung zwischen den Geräten im System nicht definiert wurde, verwenden Sie die Standardeinstellung (Position B) des DIP-Schalters.

Die Kamera fügt ein bestimmtes VLAN-Tag an alle ihre weitergeleiteten Multicast-Pakete an. Der Media Converter Switch verwaltet, wie diese Multicast-Pakete zwischen Kameras, Media Converter Switches und anderen Netzwerkgeräten weitergeleitet werden. Dies ist insbesondere dann nützlich, wenn die Kamera und der Media Converter Switch in einer Daisy-Chain-Verkettung mit dem Netzwerk verbunden werden.

Indem Sie die Position der DIP-Schalter ändern, kann jede Netzwerkverbindung im Media Converter Switch so konfiguriert werden, dass Multicasts auf drei verschiedene Arten verwaltet werden.

Position des DIP-Schalters		Beschreibung
Standard (Mitte)	B	Entfernen Sie die VLAN-Tags von den weitergeleiteten Multicast-Paketen. Verwenden Sie diese Einstellung beim Anschluss an das Netzwerk, direkt oder über einen Router- oder Netzwerk-Switch.
Links	A	Sperrern Sie Multicast-Pakete mit einem VLAN-Tag. Verwenden Sie diese Einstellung beim Anschluss an ein Gerät, das nicht für die Multicast-Ansicht gedacht ist.
Rechts	C	Leiten Sie Multicast-Pakete mit einem VLAN-Tag weiter. Verwenden Sie diese Einstellung beim Anschluss an einen anderen Media Converter Switch.

AXIS T86 Media Converter Switch Series

Mithilfe von VLAN-Tags werden unabhängige logische Netzwerke, virtuelle lokale Netzwerke (Virtual Local Area Networks, VLANs), in einem physischen Netzwerk erstellt. Mehrere in einer Daisy Chain miteinander verbundene Media Converter Switches sind Mitglieder des gleichen VLAN. Die Media Converter Switches markieren die Multicast-Pakete, die zwischen ihnen übermittelt werden, damit der nächste Media Converter Switch in der Reihe die Richtung der Pakete kennt. Mit anderen Worten, das VLAN-Tag fungiert als VLAN-Bezeichner. VLAN-Tagging sollte nur beim Einsatz mehrerer Kameras und Media Converter Switches verwendet werden, da das Weiterleiten von Multicast-Paketen mit einem VLAN-Tag nur dann sinnvoll ist, wenn der Port mit einem anderen Media Converter Switch verbunden ist, der mit potenziellen Viewern verbunden werden kann.

Beachten

Beim Anschluss eines ausgehenden Media Converter Switch-Netzwerkanschlusses an einen anderen Typ von Netzwerkgerät, müssen Sie den DIP-Schalter auf Position A festlegen, damit das Gerät vor Multicast-Traffic geschützt ist.

DE

Betriebsbedingungen

Temperatur	-40 bis 75 °C
Luftfeuchtigkeit	10 bis 85 % rF (nicht kondensierend)

Technische Daten – Stromversorgung

Produkt	Spannung	Mindestspannung durch externe Stromversorgung
AXIS T8606 Media Converter Switch	24 V Gleichstrom	0,15 A
AXIS T8607 Media Converter Switch	24 V Gleichstrom	3,2 A

Sicherheitsinformationen

Gefährdungsstufen

▲GEFAHR

Weist auf eine gefährliche Situation hin, welche, falls nicht verhindert, zu Tod oder schweren Verletzungen führen kann.

▲WARNUNG

Weist auf eine gefährliche Situation hin, welche, falls nicht verhindert, zu Tod oder schweren Verletzungen führen kann.

▲VORSICHT

Weist auf eine gefährliche Situation hin, welche, falls nicht verhindert, zu geringfügiger oder mäßiger Verletzung führen kann.

HINWEIS

Weist auf eine gefährliche Situation hin, welche, falls nicht verhindert, zu Sachschäden führen kann.

DE

Andere Meldeebenen

Wichtig

Weist auf wichtige Informationen hin, die den richtigen Betrieb des Produkts gewährleisten.

Beachten

Weist auf nützliche Informationen hin, die die optimale Verwendung des Produkts unterstützen.

Sicherheitsanweisungen

⚠ WARNUNG

Das Axis Produkt muss von fachmännisch geschultem Personal und unter Einhaltung der örtlich geltenden Bestimmungen installiert werden.

HINWEIS

- Das Axis Produkt muss unter Beachtung der geltenden Gesetze und Bestimmungen betrieben werden.
- Axis empfiehlt, ein abgeschirmtes Netzwerk-Kabel (STP) zu verwenden.
- Lagern Sie das Axis Produkt in einer trockenen und belüfteten Umgebung.
- Das Axis Produkt weder Stößen noch starkem Druck aussetzen.
- Das Produkt nicht an instabilen Masten, Halterungen, Oberflächen oder Wänden anbringen.
- Installieren Sie das Produkt nicht an vibrierenden Masten, Halterungen, Oberflächen oder Wänden.
- Verwenden Sie bei der Installation des Axis Produkts ausschließlich passende Werkzeuge. Ein zu großer Kraftaufwand mit elektrischen Werkzeugen kann das Produkt beschädigen.
- Verwenden Sie keine chemischen, ätzenden oder aerosolhaltigen Reinigungsmittel.
- Verwenden Sie zum Reinigen ein sauberes, mit destilliertem Wasser angefeuchtetes Tuch.
- Verwenden Sie nur Zubehör, das den technischen Vorgaben Ihres Produkts entspricht. Dieses ist von Axis oder Drittanbietern erhältlich. Axis empfiehlt die mit Ihrem Produkt kompatible Stromversorgung von Axis.
- Verwenden Sie ausschließlich Ersatzteile die von Axis angeboten oder empfohlen werden.
- Versuchen Sie nicht, dieses Produkt selbsttätig zu reparieren. Wenden Sie sich bezüglich Reparatur und Wartung an den Axis Support oder Ihren Axis Händler.
- Das Netzteil sollte an eine Steckdose in der Nähe des Produkts angeschlossen werden und leicht zugänglich sein.

Transport

HINWEIS

- Bei Bedarf transportieren Sie das Axis Produkt in der Originalverpackung oder einer entsprechenden Verpackung, so dass Schäden vermieden werden.

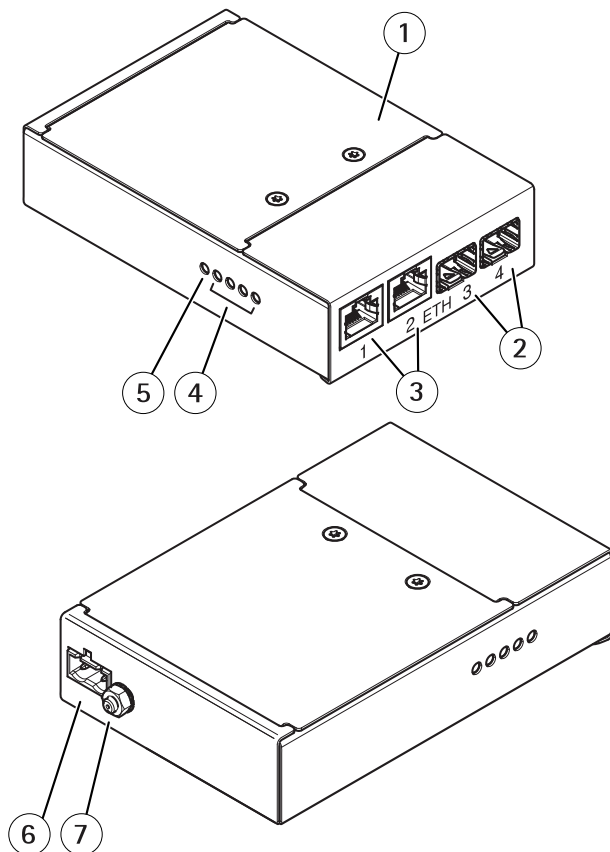
Contenuto della confezione

- Switch Media Converter AXIS T8606/T8607
- Kit di montaggio
 - Clip per clip DIN
 - Vite (2x)
- Documentazione cartacea
 - Guida all'installazione (questo documento)

AXIS T86 Media Converter Switch Series

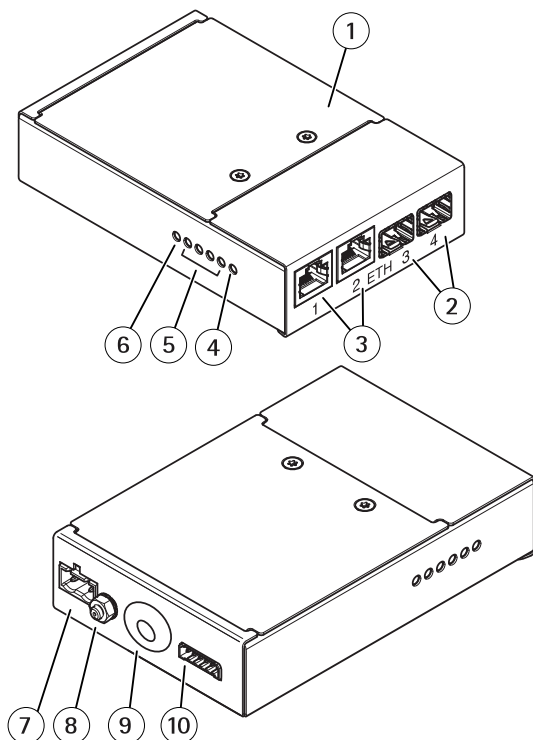
Panoramica dell'hardware

Switch media converter AXIS T8606 - vista esterna



- 1 Coperchio
- 2 Connettore di rete SFP (2x)
- 3 Connettore di rete RJ45 (2x)
- 4 Indicatore LED di rete (4)
- 5 Indicatore LED di alimentazione
- 6 Connettore di alimentazione (input CC)
- 7 Vite di messa a terra

Switch media converter AXIS T8607 - vista esterna



- 1 Coperchio
- 2 Connettore di rete SFP (2x)
- 3 Connettore di rete RJ45 (2x)
- 4 Indicatore LED di rete della telecamera
- 5 Indicatore LED di rete (4)
- 6 Indicatore LED di alimentazione
- 7 Connettore di alimentazione (input CC)
- 8 Vite di messa a terra
- 9 Presa di alimentazione multicavo
- 10 Connettore per morsetti I/O

Come installare il dispositivo

Strumenti consigliati

- Cacciavite Torx® T10
- Pinza per il capocorda (per cavo di messa a terra)
- Chiave 7 mm (per vite di messa terra)
- Cacciavite a punta piatta da 2,5 mm
- Spelafili (per il collegamento dei cavi ad AXIS T8607)

Come installare AXIS T8606 Media Converter

AWISO

- Lo switch media converter dovrà essere installato in un ambiente protetto dalla polvere e dall'acqua, ad esempio in ambienti interni o in un armadietto adatto.
- Collegare lo switch Media Converter usando i cavi di rete schermati (STP) destinati all'uso specifico. Assicurarsi che lo switch sia adeguatamente connesso a terra. Per i requisiti normativi, consultare .

Per una panoramica dei componenti hardware, vedere *pagina 60*.

1. Montare lo switch media converter sulla parete o collegarlo a una guida DIN in un armadietto.
2. Collegare i cavi di rete ai connettori di rete (RJ45, SFP) come richiesto.
3. Collegare il cavo di alimentazione al connettore di alimentazione (ingresso CC).
4. Mettere a terra lo switch collegandolo alla vite a terra.
5. Verificare che gli indicatori LED dello switch media converter indichino le condizioni corrette, vedere *Indicatori LED dello switch Media Converter alla pagina 69*.

Nota

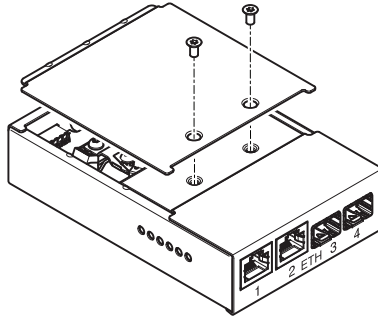
Se si desidera configurare un sistema che usi tag VLAN, i dip switch del dispositivo devono essere correttamente impostati. Vedere *Dip switch del connettore di rete alla pagina 72*.

Modalità di installazione dello switch Media Converter AXIS T8607

AWISO

- Assicurarsi che le connessioni alla rete e le canaline siano state installate da un tecnico qualificato, secondo le istruzioni del produttore e in conformità alle normative locali.
 - L'alimentatore (venduto separatamente) e lo switch Media Converter saranno installati in un ambiente protetto da polvere e acqua, per esempio all'interno o in un idoneo armadietto.
1. Assicurarsi che la rete sia scollegata.

2. Montare l'alimentatore e lo switch media converter alla parete o fissarli a una guida DIN nell'armadietto. Se è necessario forare, assicurarsi di utilizzare punte, viti e tasselli adatti al materiale.
3. Allentare le viti e rimuovere il coperchio dallo switch Media Converter.



4. Spingere l'estremità del multicavo attraverso la guarnizione per cavi nella parte posteriore dell'unità e tirarla abbastanza da lavorarci facilmente.

IT

Importante

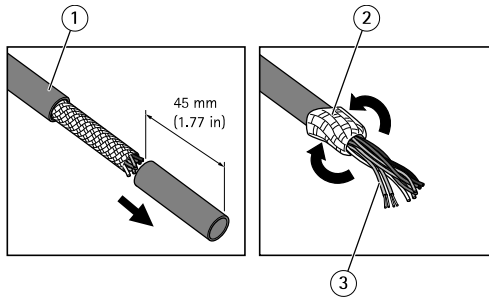
Se è necessario accorciare il cavo fornito, seguire le istruzioni riportate nei punti da 5 a 10, altrimenti procedere con il punto 11.

5. Accorciare circa 45 mm dall'estremità del rivestimento multicavo.
6. Lasciare intatto lo schermo intrecciato ma ripiegarlo in modo che sia lungo circa 20 mm.
7. Tagliare 16 mm circa dagli schermi in lamina del cavo Ethernet.
8. Togliere 8 mm di isolamento dai quattro cavi Ethernet (verde, verde/bianco, arancione e arancione/bianco).
9. Togliere 8 mm di isolamento dai due cavi I/O (blu e giallo).
10. Togliere 5 mm di isolamento dai tre cavi di alimentazione (rosso, rosso e nero).

Importante

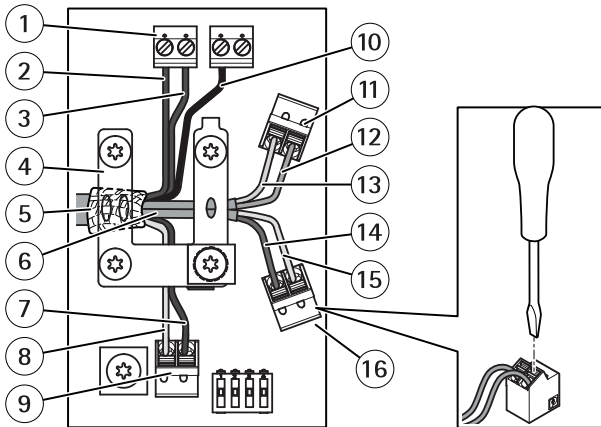
- Dopo aver tolto l'isolamento, i cavi Ethernet e di alimentazione devono essere stagnati per garantire il corretto collegamento.
- I cavi Ethernet devono avere la stessa lunghezza e devono sporgere circa 25 mm dall'estremità dello schermo intrecciato.

AXIS T86 Media Converter Switch Series



- 1 Rivestimento multicavo
- 2 Schermo intrecciato
- 3 Schermo in lamina del cavo Ethernet (2x)

11. Collegare i cavi di rete e I/O ai connettori di rete interni (11, 16) e al connettore I/O (9). Aprire tali connettori premendo verso il basso sugli slot con un cacciavite a punta piatta. Inserire il cavo, quindi rilasciare.
12. Connettere i cavi di terra e di alimentazione al connettore di alimentazione (uscita CC 1).



- 1 Connettore di alimentazione (uscita CC)
- 2 Cavo di alimentazione (rosso)
- 3 Cavo di alimentazione (rosso)
- 4 Morsetto
- 5 Bobina schermo intrecciato
- 6 Schermo del cavo Ethernet (2x)
- 7 Cavo digitale I/O (blu)
- 8 Cavo digitale I/O (giallo)

- 9 *Morsettiera I/O (interna)*
- 10 *Filo di massa (nero)*
- 11 *Connettore Ethernet (interno)*
- 12 *Cavo Ethernet (verde)*
- 13 *Cavo Ethernet (verde/bianco)*
- 14 *Cavo Ethernet (arancio)*
- 15 *Cavo Ethernet (arancio/bianco)*
- 16 *Connettore Ethernet (interno)*

- 13. Ritirare delicatamente il multicavo in eccesso attraverso la guarnizione.
- 14. Assicurarsi che il morsetto sia in posizione, inserire la bobina di schermo intrecciato nella clip di massa e serrare le viti.

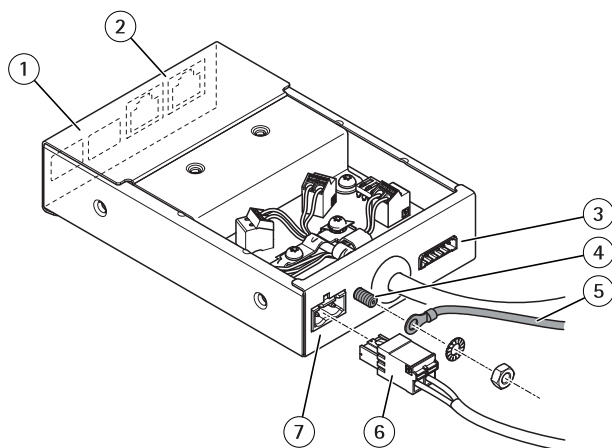
AVISO

- Gli schermi e le superfici del morsetto devono essere perfettamente in contatto l'uno con l'altro, così che il multicavo sia a terra.
 - Verificare che il rivestimento multicavo sia fissato saldamente dal morsetto.
 - Assicurarsi che tutte le superfici e i contatti siano puliti e liberi da materiale di scarto dello schermo.
- 15. Collegare i cavi di rete ai connettori di rete esterni (RJ45, SFP) come richiesto.

Nota

Un modulo SFP (non incluso) deve essere utilizzato quando si collega un cavo a fibra ottica.

- 16. Se utilizzato, collegare un dispositivo I/O al connettore I/O esterno.
- 17. Collegare il cavo di alimentazione (ingresso CC) alla morsettiera di alimentazione (ingresso CC) tramite un connettore a blocco terminale.
- 18. Fissare il cavo di terra alla vite di terra.



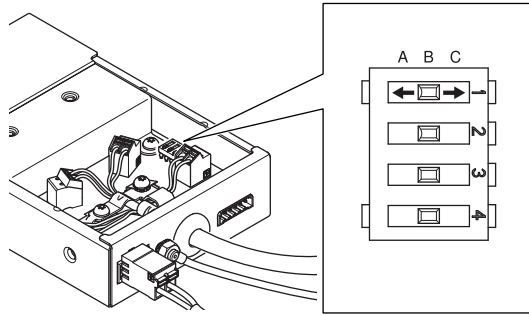
- 1 Connettore di rete SFP (esterno) (2x)
- 2 Connettore di rete RJ45 (esterno) (2x)
- 3 Morsettiera I/O (esterna)
- 4 Vite di terra
- 5 Filo di massa
- 6 Cavo di alimentazione (ingresso CC)
- 7 Connettore di alimentazione (ingresso CC)

19. Se si collegano diversi switch media converter in cascata, è necessario impostare il dip switch di ciascuna porta del connettore di rete in uscita in modo che si colleghi a un altro switch media converter in posizione C.

Lasciare il dip switch nella posizione predefinita (posizione B) quando si collega la porta direttamente alla rete. Per ulteriori informazioni, consultare *Connettori switch Media Converter alla pagina 69*.

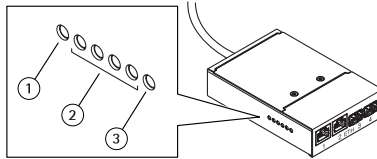
Importante

Usare l'impostazione del dip switch predefinita (posizione B) se il sistema non è definito.



20. Rimontare il coperchio sullo switch e serrare le viti.
21. Accendere l'alimentatore.
22. Verificare che gli indicatori LED dello switch media converter indichino le condizioni corrette. Per ulteriori informazioni, consultare *Indicatori LED dello switch Media Converter alla pagina 69*.

IT



- 1 *Indicatore LED di alimentazione*
- 2 *Indicatore LED di rete (4x) ETH 1/2/3/4*
- 3 *Indicatore LED telecamera*

AXIS T86 Media Converter Switch Series

Ulteriori Informazioni

- Per la versione più recente di questo documento, visitare il sito all'indirizzo *axis.com*
- Per servizi di formazione utili e webinar, visita il sito *axis.com/academy*

Accessori opzionali

Per un elenco completo degli accessori disponibili per questo dispositivo, andare alla pagina del dispositivo al sito *axis.com* e selezionare Software e accessori.

Specifiche

Per la versione più aggiornata della scheda tecnica del dispositivo, visitare il sito Web axis.com e trovare la sezione **Support & Documentation** (Supporto e documentazione).

Indicatori LED dello switch Media Converter

LED	Colore	Indicazione
Alimentazione	Spento	Alimentazione CC non connessa o protezione della corrente innestata (sovraccarico di alimentazione)
	Verde	Connesso all'alimentazione CC.
Rete (4)	Giallo	Connessione 10 Mbit. Lampeggia durante l'attività.
	Verde	Connessione 100/1.000 Mbit. Lampeggia durante l'attività.
Rete della telecamera (solo AXIS T8607)	Verde	Connessione 100 Mbit. Lampeggia durante l'attività.

IT

Connettori

Connettori switch Media Converter

AVVISO

Collegare il dispositivo con un cavo di rete schermato (STP). Tutti i cavi che collegano il dispositivo alla rete sono destinati al loro uso specifico. Accertarsi che i dispositivi di rete siano installati secondo le istruzioni del produttore. Per maggiori informazioni sui requisiti normativi, consultare *Electromagnetic compatibility (EMC) on page 4*.

Importante

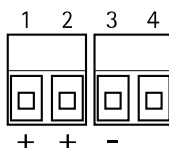
Lo switch Media Converter non supporta l'hot swapping. Scollegare l'alimentazione dallo switch prima dello swapping delle telecamere. Un tentativo di effettuare l'hot swapping potrebbe causare il blocco dello switch, in tal caso deve essere riavviato.

AXIS T86 Media Converter Switch Series

Connettori telecamera

Connettore di alimentazione

Due morsettiere a 2 pin utilizzate per l'uscita alimentazione (pin 4 non utilizzato).



Funzione		Pin	Note
Uscita CC	24 V CC	1, 2	Uscita alimentazione alla telecamera
	0 V CC (-)	3	
	N/D	4	N/D

Connettori di rete

Morsettiere a 2-pin Ethernet (x2).



Connettore per morsetti I/O

Morsettiere a 2 pin.



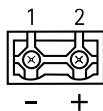
Connettori esterni

Vite di terra

Vite a terra per la connessione dello switch Media converter a terra alla messa a terra. Assicurarsi che entrambe le estremità del cavo di messa a terra siano in contatto con le rispettive superfici di messa a terra.

Connettore di alimentazione

Morsettiere a 2 pin per ingresso alimentazione.



Funzione		Pin	Note
ingresso CC	0 V CC (-)	1	
	24 V CC	2	Alimentazione dall'alimentatore (venduto separatamente)

Connettore di rete RJ45

Due connettori RJ45 (10/100Base-T) per la rete.

SFP slot di rete

Due slot SFP (100Base-FX/1000Base-X) per rete.

IT

Ogni porta RJ45 e SFP ha il proprio dip switch. I dip switch controllano come la porta inoltra i dati. Per ulteriori informazioni, consultare *pagina 72*.

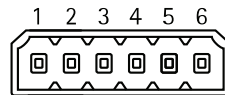
Connettore per morsetti I/O

Morsettiera I/O a 6 pin configurabile, collegata alla telecamera tramite il multicavo. Utilizzare con dispositivi esterni in combinazione con, ad esempio, allarmi antimanomissione, rilevazione del movimento, attivazione di eventi, registrazione temporizzata e notifiche di allarme. Oltre al punto di riferimento 0 V CC e all'alimentazione (uscita CC), il connettore I/O fornisce l'interfaccia per:

- **Uscita digitale** – Per collegare dispositivi esterni come relè o LED. Le periferiche collegate possono essere attivate tramite VAPIX® API (interfaccia per la programmazione di applicazioni), tramite i pulsanti di comando della pagina Live View (Immagini dal vivo) oppure tramite l'opzione Action Rule (regola di azione). L'uscita verrà visualizzata come attiva (visualizzata in **System Options (Opzioni di Sistema) > Port & Devices (Porta & Dispositivi) > Port Status (Stato porta)**) se il dispositivo di allarme è attivato.
- **Ingresso digitale** – Ingresso allarme utilizzabile per collegare le periferiche, che può passare dal circuito chiuso al circuito aperto, ad esempio: Sensori di movimento (PIR), contatti porta/finestra, rilevatori di rottura vetri e così via. Dopo la ricezione del segnale lo stato cambia e l'ingresso diventa attivo (visualizzato in **System Options > Port & Devices > Port Status (Opzioni di Sistema > Porte e Dispositivi > Stato porta)**)).

Morsettiera a 6 pin per:

- Input/Output Digitale
- Alimentazione (Uscita CC)
- 0 V CC (-)



AXIS T86 Media Converter Switch Series

Funzione	Pin	Note	Specifiche
0 V CC (-)	1, 4, 6		0 V CC
Uscita CC	2	Alimentazione in uscita	12 V CC, 50 mA
Configurabile I/O 1 (ingresso o uscita)	3	Ingresso digitale	Da 0 a max 30 V CC
		Uscita digitale (transistor - collettore aperto)	Da 0 a max 30 V CC, open-drain, 100 mA
Configurabile I/O 2 (ingresso o uscita)	5	Ingresso digitale	Da 0 a max 30 V CC
		Uscita digitale (transistor - collettore aperto)	Da 0 a max 30 V CC, open-drain, 100 mA

Dip switch del connettore di rete

Importante

Usare sempre l'impostazione del dip switch predefinita (posizione B) se non è definita la relazione tra i dispositivi del sistema.

La telecamera collega un particolare tag VLAN a tutti i pacchetti multicast inviati. Lo switch Media Converter gestisce il modo in cui vengono inoltrati i pacchetti multicast tra le telecamere, gli switch Media Converter e gli altri dispositivi di rete. È utile soprattutto quando si collega la telecamera e lo switch Media Converter alla rete in cascata.

Modificando la posizione dei dip switch, ogni porta del connettore di rete nello switch Media Converter può essere configurata per gestire i multicast in tre modi diversi.

Posizione dip switch		Descrizione
Predefinito (medio)	B	Rimuovere i tag VLAN dai pacchetti multicast inoltrati. Utilizzare questa impostazione quando si effettua il collegamento alla rete, direttamente o tramite un router o uno switch di rete.
Sinistra	A	Bloccare i pacchetti multicast con un tag VLAN. Utilizzare questa impostazione quando si effettua il collegamento a un dispositivo non destinato alla visualizzazione multicast.
Destra	C	Inoltrare i pacchetti multicast con un tag VLAN. Utilizzare questa impostazione quando si effettua il collegamento a un altro switch Media Converter.

I tag VLAN sono utilizzati per creare reti logiche indipendenti, reti VLAN (virtual local area networks), in una rete fisica. Più Switch Media Converter collegati tra loro in cascata sono membri della stessa VLAN. Gli switch Media Converter registrano i pacchetti multicast spostandoli tra loro in modo che lo switch Media Converter successivo in linea conosca la destinazione dei pacchetti. In altre parole, il tag VLAN serve come identificativo VLAN. La registrazione VLAN deve essere utilizzata solo con telecamere multiple e switch Media Converter poiché l'inoltro dei pacchetti multicast con un tag VLAN servono solo come scopo quando la porta è collegata a un altro switch Media Converter che potrebbe essere collegato a possibili visualizzatori.

Nota

Quando si collega un connettore di rete dello switch Media Converter in uscita a un altro tipo di dispositivo di rete, impostare il dip switch sulla posizione A per proteggere il dispositivo dal traffico multicast.

IT

Condizioni di funzionamento

Temperatura	Da -40 °C a 75 °C
Umidità	10 - 85% (umidità relativa senza condensa)

Specifiche di alimentazione

Dispositivo	Tensione	Classificazione corrente minima per alimentazione esterna
Switch Media Converter AXIS T8606	24 V CC	0,15 A
Switch Media Converter AXIS T8607	24 V CC	3,2 A

Informazioni di sicurezza

Livelli di pericolo

▲PERICOLO

Indica una situazione pericolosa che, se non evitata, provoca morte o lesioni gravi.

▲AVVERTENZA

Indica una situazione pericolosa che, se non evitata, potrebbe provocare la morte o lesioni gravi.

▲ATTENZIONE

Indica una situazione pericolosa che, se non evitata, potrebbe provocare lesioni medie o minori.

AWISO

Indica una situazione che, se non evitata, potrebbe danneggiare la proprietà.

IT

Altri livelli di messaggio

Importante

Indica informazioni importanti, essenziali per il corretto funzionamento del dispositivo.

Nota

Indica informazioni utili che aiutano a ottenere il massimo dal dispositivo.

Informazioni di sicurezza

▲AVVERTENZA

Il dispositivo Axis deve essere installato da un professionista qualificato, in conformità alle leggi e alle disposizioni locali.

AWISO

- Il dispositivo Axis deve essere utilizzato in conformità alle leggi e alle normative locali.
- Axis consiglia l'uso di un cavo di rete schermato (STP).
- Conservare il dispositivo Axis in un ambiente asciutto e ventilato.
- Evitare di esporre il dispositivo Axis a urti o pressioni eccessive.
- Non installare il dispositivo su supporti, superfici, pareti o pali instabili.
- Non installare il dispositivo su supporti, superfici, pareti o pali che vibrano.
- Utilizzare solo strumenti applicabili quando si installa il dispositivo Axis. Se si utilizza una forza eccessiva con strumenti non adatti è possibile causare danni al dispositivo.
- Non utilizzare sostanze chimiche, agenti caustici o detergenti aerosol.
- Utilizzare un panno pulito inumidito in acqua pura per la pulizia.
- Utilizzare solo accessori compatibili con le specifiche tecniche del dispositivo. Questi possono essere forniti da Axis o da terze parti. Axis consiglia l'uso dell'apparecchiatura di alimentazione Axis compatibile con il dispositivo.
- Utilizzare solo parti di ricambio fornite o consigliate da Axis.
- Non tentare di riparare il dispositivo da soli. Contattare l'assistenza o il rivenditore Axis per questioni relative alla manutenzione.
- L'alimentatore dovrebbe essere collegato a una presa di corrente vicina al dispositivo e facilmente accessibile.

Trasporto

AWISO

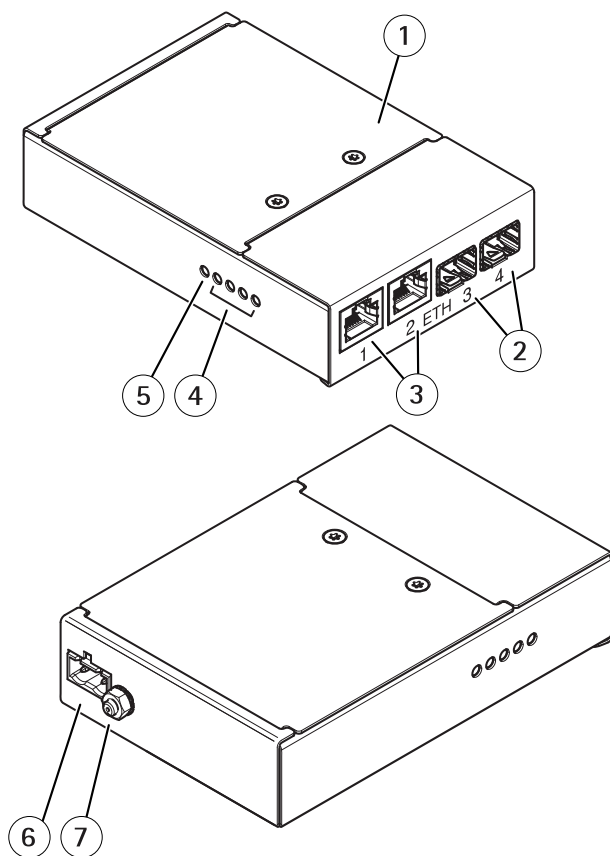
- Durante il trasporto del dispositivo Axis, utilizzare l'imballaggio originale o equivalente per evitare danni al dispositivo.

Contenido del paquete

- Switch convertidor de medios AXIS T8606/T8607
- Kit de montaje
 - Clip para clip DIN
 - Tornillo (2)
- Material impreso
 - Guía de instalación (este documento)

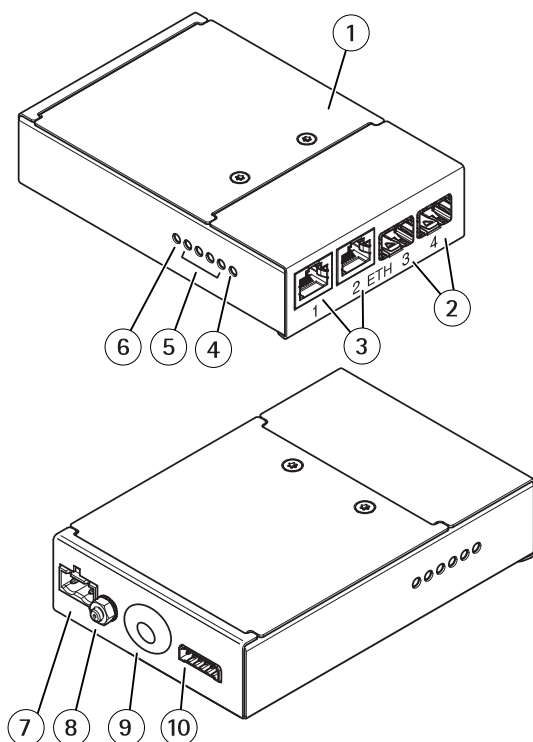
Información general del hardware

Switch convertidor de medios AXIS T8606, vista exterior



- 1 Cubierta
- 2 Conectores de red SFP (2)
- 3 Conectores de red RJ45 (2)
- 4 Indicador LED de red (4)
- 5 Indicador LED de alimentación
- 6 Conector de alimentación (entrada de CC)
- 7 Tornillo de toma de tierra

Switch convertidor de medios AXIS T8607, vista exterior



- 1 Cubierta
- 2 Conectores de red SFP (2)
- 3 Conectores de red RJ45 (2)
- 4 LED indicador de cámara de red
- 5 Indicador LED de red (4)
- 6 Indicador LED de alimentación
- 7 Conector de alimentación (entrada de CC)
- 8 Tornillo de toma de tierra
- 9 Entrada del multicable
- 10 Conector del terminal de E/S

Cómo instalar el producto

Herramientas recomendadas

- Destornillador Torx® T10
- Alicates de zapata para cable (para cable de tierra)
- Llave de 7 mm (para tornillo de tierra)
- Destornillador plano de 2,5 mm
- Pelacables (para conexión de cable con AXIS T8607)

Cómo instalar el switch convertidor de medios AXIS T8606

AVISO

- El switch convertidor de medios debe instalarse en un entorno protegido contra el polvo y el agua, por ejemplo en interiores o en un armario adecuado.
- El conmutador de conversión de medios se conectará utilizando cables de red blindados (STP) diseñados para su uso específico. Asegúrese de que el switch tiene una conexión a tierra adecuada. Para obtener información sobre los requisitos normativos, vea .

Consulte una descripción general de los componentes del hardware en *página 78*.

1. Monte el switch convertidor de medios en la pared o fíjelo a un carril DIN de un armario.
2. Conecte los cables de red a los conectores de red (RJ45 y SFP) según corresponda.
3. Conecte el cable de alimentación al conector de corriente (entrada de CC).
4. Conecte a tierra el switch convertidor de medios conectándolo al tornillo de tierra.
5. Asegúrese de que los indicadores LED del switch convertidor de medios indican las condiciones correctas, consulte *LED indicadores del switch convertidor de medios en la página 87*.

Nota

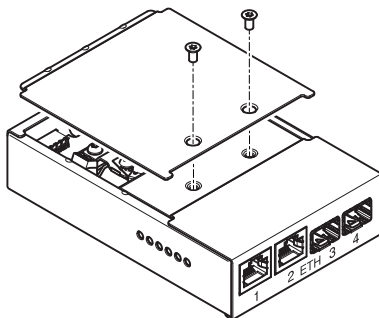
Si quiere configurar un sistema con etiquetas VLAN, los conmutadores DIP deben estar configurados correctamente. Consulte *Conmutadores DIP del conector de red en la página 90*.

Cómo instalar AXIS T8607 Media Converter Switch

AVISO

- Asegúrese de que la conexión a la alimentación y a la red haya sido realizada por un profesional con formación, acorde a las instrucciones del fabricante y de acuerdo a las normativas locales.
- La fuente de alimentación (se vende por separado) y el switch convertidor de medios deben instalarse en un entorno protegido contra el polvo y el agua, por ejemplo en interiores o en un armario adecuado.

1. Asegúrese de que la alimentación esté apagada.
2. Monte la fuente de alimentación y el switch convertidor de medios en la pared, o fíjelos a un rail DIN de la cabina. Si es necesario hacer agujeros, asegúrese de usar brocas, tornillos y tacos apropiados para el material.
3. Afloje los tornillos y extraiga la cubierta del switch convertor de medios.



4. Pase el extremo del multicable por la junta de cable de la parte trasera de la unidad. Tire de este lo suficiente para facilitar el trabajo con él.

Importante

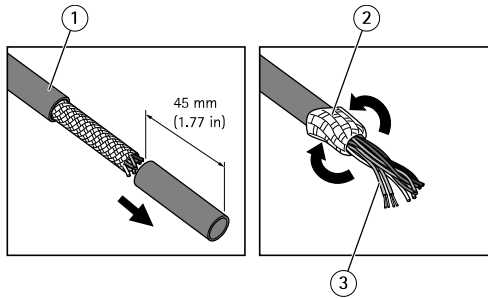
Si necesita acortar el cable suministrado, siga los pasos 5-10. De lo contrario, vaya al paso 11.

5. Pele unos 45 mm desde el extremo de la cubierta del multicable.
6. Deje la cubierta trenzada intacta, pero dóblela hacia atrás de manera que mida unos 20 mm de largo.
7. Corte unos 16 mm de la cubierta blindada del cable Ethernet.
8. Corte unos 8 mm de aislamiento de los cuatro cables Ethernet (verde, verde/blanco, naranja y naranja/blanco).
9. Corte unos 8 mm de aislamiento de los dos cables de E/S (azul y amarillo).
10. Corte unos 5 mm de aislamiento de los tres cables de alimentación (rojo, rojo y negro).

Importante

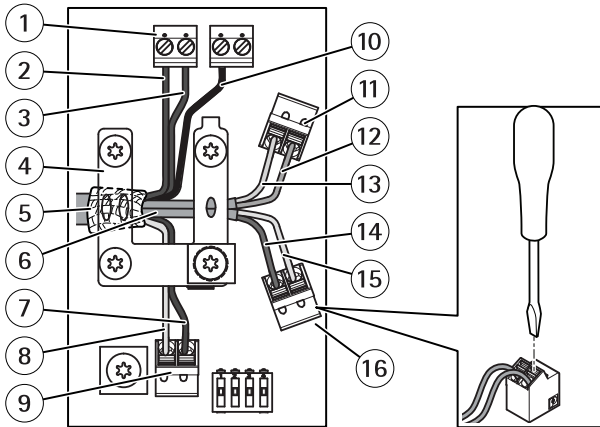
- Después de recortar el aislamiento, los cables de alimentación y Ethernet deben estañarse para asegurar unas conexiones adecuadas.
- Los cables Ethernet deben tener la misma longitud y deben sobresalir unos 25 mm del extremo de la cubierta trenzada.

AXIS T86 Media Converter Switch Series



- 1 Cubierta del multicable
- 2 Cubierta trenzada
- 3 Cubierta blindada del cable Ethernet (2)

11. Conecte los cables de red y de E/S a los conectores de red internos (11, 16) y al conector de E/S (9). Abra los conectores empujando las ranuras hacia abajo con un destornillador plano. Inserte el cable y, a continuación, suelte la ranura.
12. Conecte los cables de tierra y alimentación al conector de alimentación (salida CC, 1).



- 1 Conector de alimentación (salida de CC)
- 2 Cable de alimentación (rojo)
- 3 Cable de alimentación (rojo)
- 4 Abrazadera
- 5 Bobina de cubierta trenzada
- 6 Cubierta blindada Ethernet (2)
- 7 Cable de E/S digital (azul)
- 8 Cable de E/S digital (amarillo)

- 9 Conector de E/S (interno)
- 10 Cable de tierra (negro)
- 11 Conector Ethernet (interno)
- 12 Cable Ethernet (verde)
- 13 Cable Ethernet (verde/blanco)
- 14 Cable Ethernet (naranja)
- 15 Cable Ethernet (naranja/blanco)
- 16 Conector Ethernet (interno)

- 13. Con cuidado, tire del multicable por la junta hacia afuera.
- 14. Asegúrese de que la abrazadera esté bien colocada, inserte la bobina de la cubierta trenzada en el clip de tierra y apriete los tornillos.

AVISO

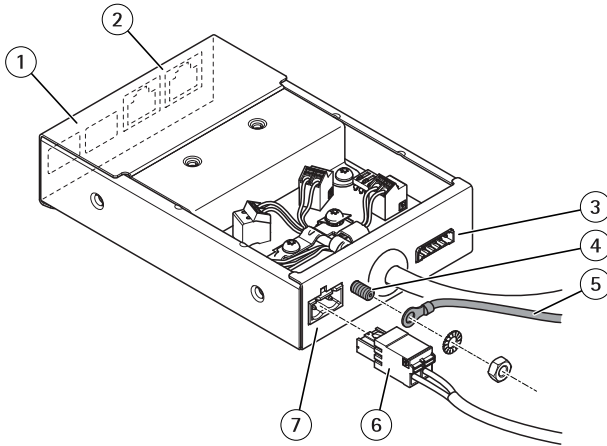
- Las superficies de las abrazaderas y las cubiertas deben estar totalmente en contacto para que el multicable se conecte a tierra.
 - Asegúrese de que la cubierta del multicable se fija con firmeza mediante la abrazadera.
 - Asegúrese de que todas las superficies y contactos estén limpios y que no contengan material de desecho de la cubierta.
- 15. Conecte los cables de red a los conectores de red externos (RJ45 y SFP) como corresponda.

ES

Nota

- Se debe utilizar un módulo SFP, no incluido, para conectar un cable de fibra óptica.
- 16. Si se utiliza, conecte un dispositivo de E/S al conector de E/S externo.
 - 17. Conecte el cable de alimentación (entrada de CC) al conector de alimentación (entrada de CC) mediante la conexión del bloque de terminales.
 - 18. Conecte el cable de tierra al tornillo de tierra.

AXIS T86 Media Converter Switch Series



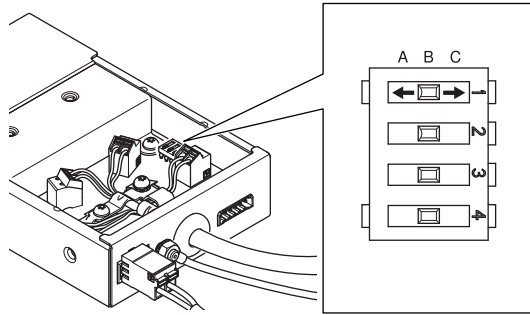
- 1 Conectores de red SFP (externos, 2)
- 2 Conectores de red RJ45 (externos, 2)
- 3 Conector de E/S (externo)
- 4 Tornillo de tierra
- 5 Cable de tierra
- 6 Cable de alimentación (entrada de CC)
- 7 Conector de alimentación (entrada de CC)

19. Si se conectan varios conmutadores de conversión de medios en una conexión en cadena, es necesario establecer el conmutador DIP de cada puerto del conector de red saliente que se conecta con otro conmutador de conversión de medios en la posición C. Deje el conmutador DIP en la posición predeterminada (posición B) cuando conecte el puerto directamente a la red. Para obtener más información, vea *Conectores del switch convertidor de medios en la página 87*.

Importante

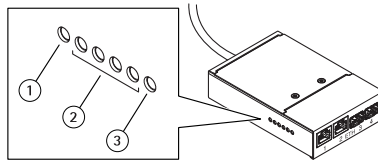
Si no se ha definido el sistema, use el ajuste del conmutador DIP predeterminado (posición B).

AXIS T86 Media Converter Switch Series



20. Vuelva a poner la cubierta en el switch y apriete los tornillos.
21. Active la alimentación de red.
22. Asegúrese de que los indicadores LED del conmutador de conversión de medios indican las condiciones correctas. Para obtener más información, vea *LED indicadores del switch convertidor de medios en la página 87*.

ES



- 1 *Indicador LED de alimentación*
- 2 *Indicador LED de red (4x) ETH 1/2/3/4*
- 3 *Indicador LED de la cámara*

AXIS T86 Media Converter Switch Series

Más información

- Para consultar la versión más reciente de este documento, vaya a axis.com.
- Para consultar webinars y cursos en línea que pueden resultarle útiles, vaya a axis.com/academy.

Accesorios opcionales

Para conocer una lista completa de los accesorios disponibles para este producto, vaya a la página axis.com y seleccione Software y accesorios.

Especificaciones

Para acceder a la versión más reciente de la hoja de datos del producto, visite la página del producto en axis.com y localice Support & Documentation (Soporte técnico y documentación).

LED indicadores del switch convertidor de medios

LED	Color	Indicación
Alimentación	Apagado	Alimentación CC sin conectar o protección de corriente bloqueada (potencia excesiva)
	Verde	Alimentación CC conectada.
Red (4x)	Ámbar	Conexión de 10 Mbits. Parpadea durante la actividad.
	Verde	Conexión de 100/1000 Mbits. Parpadea durante la actividad.
Red de cámaras (solo AXIS T8607)	Verde	Conexión de 100 Mbits. Parpadea durante la actividad.

ES

Conectores

Conectores del switch convertidor de medios

AVISO

El producto se conectará mediante un cable de red blindado (STP). Todos los cables que conecten el producto a la red deberán estar blindados para su uso específico. Asegúrese de que los dispositivos de red estén instalados de conformidad con las instrucciones del fabricante. Para obtener información sobre los requisitos normativos, vea *Electromagnetic compatibility (EMC) on page 4*.

Importante

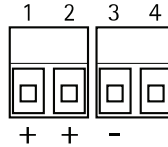
El conmutador de conversión de medios no es compatible con el intercambio en funcionamiento. Desenchufe la corriente del conmutador antes de intercambiar las cámaras. Si intenta efectuar un intercambio en funcionamiento, es posible que el switch se bloquee y sea necesario reiniciarlo.

AXIS T86 Media Converter Switch Series

Conectores de cámara

Conector de alimentación

Dos bloques de terminales de 2 pines para la salida de alimentación (el bloque de terminales de 4 pines no se usa).



Función		Pin	Notas
Salida de CC	24 V CC	1, 2	Salida a la cámara
	0 V CC (-)	3	
	N/D	4	N/D

Conectores de red

Bloques de terminales Ethernet de 2 pines (2).



Conector del terminal de E/S

Bloque de terminales de 2 pines.



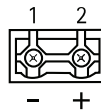
Conectores externos

Tornillo de tierra

Tornillo de toma de tierra para la conexión del switch convertidor de medios a tierra. Asegúrese de que los dos extremos del cable de tierra estén en contacto con sus respectivas superficies de toma de tierra.

Conector de corriente

Bloque de terminales de 2 pines para la entrada de alimentación.



Función		Pin	Notas
Entrada de CC	0 V CC (-)	1	
	24 V CC	2	Entrada de fuente de alimentación (se vende por separado)

Conector de red RJ45

Dos conectores RJ45 (10/100Base-T) para la red.

Ranura de red SFP

Dos ranuras SFP (100Base-FX/1000Base-X) para la red.

Los puertos RJ45 y SFP cuentan con sus propios conmutadores DIP. Los conmutadores DIP controlan la forma en la que el puerto envía los datos. Para obtener más información, vea [página 90](#).

ES

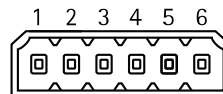
Conector del terminal de E/S

Bloque de terminales de E/S configurable de 6 pines que se conecta a la cámara a través del multicable. Se utiliza con dispositivos externos combinados, por ejemplo, con alarmas antimanipulación, detección de movimiento, activación de eventos, grabación de intervalos de tiempo y notificaciones de alarma. Además del punto de referencia de 0 V CC y la potencia (salida de CC), el conector de E/S ofrece la interfaz para:

- **Salida digital:** para conectar dispositivos externos como relés y LED. Los dispositivos conectados se pueden activar mediante la Interfaz de programación de aplicaciones (API) VAPIX®, los botones de salida de la página Live View o mediante una regla de acción. La salida se mostrará activa (se indica en **System Options > Port & Devices > Port Status** [Opciones del sistema > Puerto y dispositivos > Estado del puerto]) si el dispositivo de alarma está activado.
- **Entrada digital:** una entrada de alarma para conectar dispositivos que puedan alternar circuitos cerrados y abiertos, como detectores PIR, contactos de puertas y ventanas, detectores de rotura de cristales, etc. Cuando se recibe una señal, el estado cambia y la entrada se vuelve activa (se indica en **System Options > Port & Devices > Port Status** [Opciones del sistema > Puerto y dispositivos > Estado del puerto]).

Bloques de terminales de 6 pines para:

- Entrada/salida digital
- Encendido (salida de CC)
- 0 V CC (-)



AXIS T86 Media Converter Switch Series

Función	Pin	Notas	Especificaciones
0 V CC (-)	1, 4, 6		0 V CC
Salida de CC	2	Salida	12 V CC, 50 mA
E/S configurable 1 (entrada o salida)	3	Entrada digital	De 0 a 30 V CC máx.
		Salida digital (transistor: colector abierto)	De 0 a 30 V CC máx., colector abierto, 100 mA
E/S configurable 2 (entrada o salida)	5	Entrada digital	De 0 a 30 V CC máx.
		Salida digital (transistor: colector abierto)	De 0 a 30 V CC máx., colector abierto, 100 mA

Conmutadores DIP del conector de red

Importante

Use siempre el ajuste del conmutador DIP predeterminado (posición B) si la relación entre los dispositivos del sistema no está definida.

La cámara fija una etiqueta VLAN específica a todos los paquetes multicast enviados. El switch convertidor de medios gestiona la forma en que dichos paquetes multicast se envían entre las cámaras, los switches convertidores de medios y otros dispositivos de red. Esto resulta especialmente útil al conectar la cámara y el switch convertidor de medios a una red en cadena.

Al cambiar la posición de los conmutadores DIP, cada puerto del conector de red del switch convertidor de medios se puede configurar para que gestione multicasts de tres formas diferentes.

Posición del conmutador DIP		Descripción
Predeterminado (parte central)	B	Retire las etiquetas VLAN de los paquetes multicast enviados. Use este ajuste cuando se conecta a la red, directamente o a través de un switch de red o router.
Izquierda	A	Paquetes multicast del bloque que tienen una etiqueta VLAN. Use este ajuste cuando se conecta a una cámara o a un dispositivo no creado para la visualización multicast.
Derecha	C	Envíe los paquetes multicast con una etiqueta VLAN. Use este ajuste cuando se conecta a otro switch convertidor de medios.

AXIS T86 Media Converter Switch Series

Las etiquetas VLAN se usan para crear redes lógicas independientes, redes virtuales de área locales (VLAN), dentro de una red física. Varios switches convertidores de medios conectados entre sí en un cadena tipo margarita pertenecen a la misma VLAN. Los switches convertidores de medios etiquetan los paquetes multicast moviéndose entre ellos, de forma que el siguiente switch convertidor de medios de la fila conoce el destino de los paquetes. Es decir, la etiqueta VLAN actúa como un identificador VLAN. El etiquetado VLAN debería usarse solo cuando se usan varias cámaras y switches convertidores de medios, ya que el envío de paquetes multicast con una etiqueta VLAN tiene sentido únicamente si el puerto está conectado a otro switch convertidor de medios, que puede que esté conectado a posibles visores.

Nota

Cuando se conecta un conector de red switch convertidor de medios saliente a otro tipo de dispositivo de red, establezca el conmutador DIP en la posición A para proteger el dispositivo del tráfico multicast.

Condiciones de funcionamiento

Temperatura	De -40 °C a 75 °C
Humedad	Humedad relativa del 10 al 85 % (sin condensación)

ES

Especificaciones de alimentación

Producto	Tensión	Corriente nominal mínima para fuente de alimentación externa
Switch convertidor de medios AXIS T8606	24 V CC	0,15 A
Switch convertidor de mediosAXIS T8607	24 V CC	3,2 A

Información de seguridad

Niveles de peligro

▲PELIGRO

Indica una situación peligrosa que, si no se evita, provocará lesiones graves o la muerte.

▲ADVERTENCIA

Indica una situación peligrosa que, si no se evita, puede provocar lesiones graves o la muerte.

▲ATENCIÓN

Indica una situación peligrosa que, si no se evita, puede provocar lesiones moderadas o leves.

AVISO

Indica una situación peligrosa que, si no se evita, puede provocar daños materiales.

ES

Otros niveles de mensaje

Importante

Indica información importante que es fundamental para que el producto funcione correctamente.

Nota

Indica información útil que ayuda a aprovechar el producto al máximo.

Instrucciones de seguridad

▲ADVERTENCIA

El producto de Axis debe instalarlo un profesional formado conforme a las leyes y normativas locales.

AVISO

- Este producto de Axis debe utilizarse de acuerdo con las leyes y normativas locales.
- Axis recomienda utilizar un cable de red blindado (STP).
- Almacene el producto de Axis en un entorno seco y ventilado.
- Evite la exposición del producto de Axis a choques o a una fuerte presión.
- No instale el producto en postes, soportes, superficies o paredes inestables.
- No instale el producto en postes, soportes, superficies o paredes que vibren.
- Utilice solo las herramientas correspondientes cuando instale el producto de Axis. La aplicación de una fuerza excesiva con herramientas eléctricas puede provocar daños en el producto.
- No utilice limpiadores en aerosol, agentes cáusticos ni productos químicos.
- Limpie con un paño limpio humedecido con agua pura.
- Utilice solo accesorios que cumplan con las especificaciones técnicas de su producto. Estos accesorios los puede proporcionar Axis o un tercero. Axis recomienda utilizar un equipo de suministro de alimentación de Axis compatible con su producto.
- Utilice solo piezas de repuesto proporcionadas o recomendadas por Axis.
- No intente reparar el producto usted mismo. Póngase en contacto con el servicio de asistencia técnica de Axis o con su distribuidor de Axis para tratar asuntos de reparación.
- La fuente de alimentación se enchufará a una toma de conector instalada cerca del producto y a la que se podrá acceder fácilmente.

Transporte

AVISO

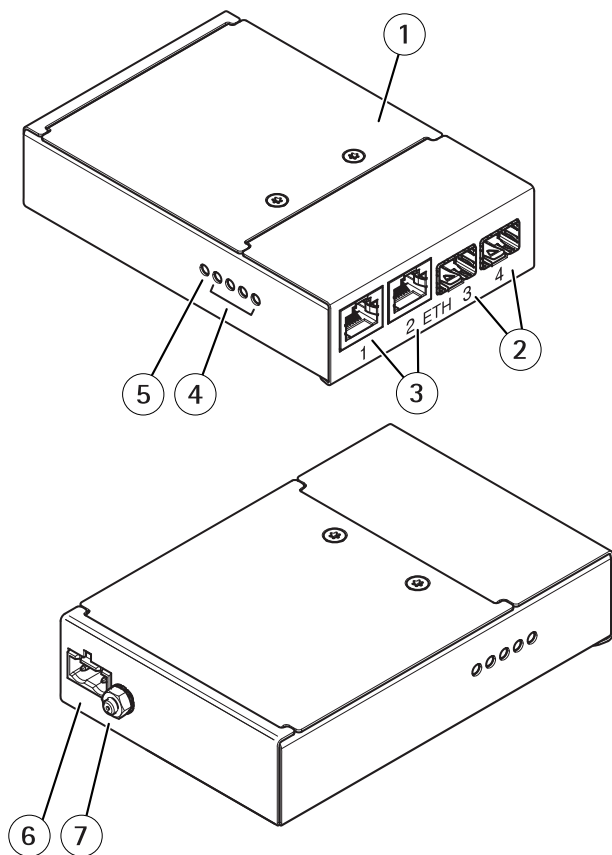
- Cuando transporte el producto de Axis, utilice el embalaje original o un equivalente para evitar daños en el producto.

パッケージの内容

- AXIS T8606/T8607メディアコンバータスイッチ
- 取り付けキット
 - DINクリップ用クリップ
 - ネジ(×2)
- 印刷物
 - インストールガイド(本書)

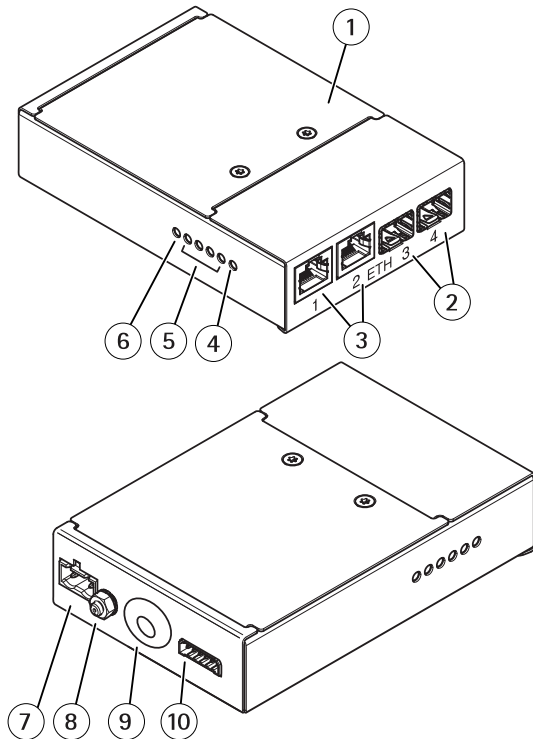
ハードウェアの概要

AXIS T8606メディアコンバータスイッチ - 外観図



- 1 カバー
- 2 ネットワークコネクタ (SFP) (x2)
- 3 ネットワークコネクタ (RJ45) (x2)
- 4 ネットワーク LED インジケータ (x4)
- 5 電源 LED インジケータ
- 6 電源コネクタ (DC入力)
- 7 アース端子ネジ

AXIS T8607 Media Converter Switch (メディアコンバータスイッチ) - 外観図



- 1 カバー
- 2 ネットワークコネクタ (SFP) (x2)
- 3 ネットワークコネクタ (RJ45) (x2)
- 4 カメラのネットワークLEDインジケータ
- 5 ネットワークLEDインジケータ (x4)
- 6 電源LEDインジケータ
- 7 電源コネクタ (DC入力)
- 8 アース端子ネジ
- 9 マルチケーブル挿入口
- 10 I/Oターミナルコネクタ

製品の取り付け方法

推奨ツール

- トルクス® T10ドライバー
- ケーブルシュープライヤー (アースケーブル用)
- 7 mmレンチ (アース端子ネジ用)
- マイナスドライバー 2.5 mm
- 電線ストリッパー (AXIS T8607へのケーブル接続用)

AXIS T8606 Media Converter Switch (メディアコンバータスイッチ)の取り付け方法

注記

- メディアコンバータスイッチは、屋内や適切なキャビネットなど、ほこりや水から保護された環境に取り付けてください。
- メディアコンバータスイッチは、用途に合ったシールドネットワークケーブル (STP) を使用して接続してください。メディアコンバータスイッチは適切に接地してください。規制上の要件については、を参照してください。

ハードウェアコンポーネントの概要については、96ページを参照してください。

1. メディアコンバータスイッチを壁、またはキャビネットのDINレールに取り付けます。
2. 必要に応じて、ネットワークケーブルをネットワークコネクタ (RJ45、SFP) に接続します。
3. 電源ケーブルを電源コネクタ (DC入力) に接続します。
4. スイッチをアース端子ネジに接続して接地します。
5. メディアコンバータスイッチのLEDインジケータが正しい状態を示していることを確認します。105ページの、メディアコンバータスイッチのLEDインジケータを参照してください。

注意

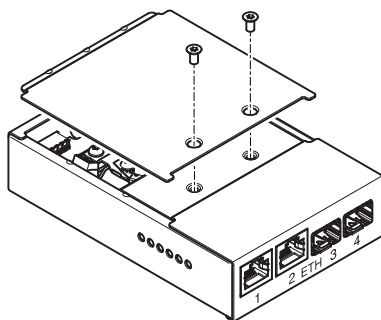
VLANタグを使用するシステムを設定する場合は、製品のディップスイッチを正しく設定する必要があります。108ページの、ネットワークコネクタのディップスイッチを参照してください。

AXIS T8607 Media Converter Switch (メディアコンバータスイッチ)の取り付け方法

注記

- 主電源や電線管への接続は、地域条例を順守し、メーカーの指示に従って、訓練を受けた専門技術者が行ってください。

- 電源 (別売) とメディアコンバータスイッチは、屋内や適切なキャビネットなど、ほこりや水から保護された環境に取り付けてください。
1. 主電源のスイッチがオフになっていることを確認します。
 2. 電源とメディアコンバータスイッチを壁、またはキャビネットのDINレールに取り付けます。ドリルによる穴開けが必要な場合は、素材に適したドリルビット、ネジ、プラグを使用してください。
 3. カバーを固定するネジをゆるめ、メディアコンバータスイッチからカバーを取り外します。



4. ユニットの背面にあるケーブルガasketを通してマルチケーブルの端を押し込み、処理しやすいように十分に引き込みます。

重要

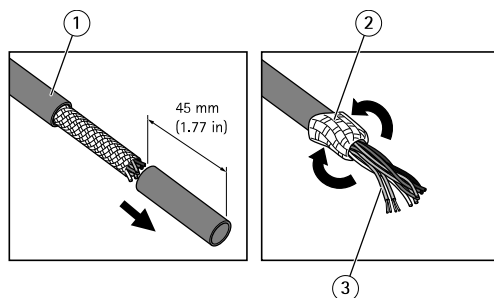
付属のケーブルを短くする必要がある場合は、手順5～10に従ってください。必要がない場合は、手順11に進みます。

5. マルチケーブルの被覆を端から約45 mm剥きます。
6. 編組シールドはそのまま残しつつ折り返して、20 mmほどの長さにします。
7. イーサネットワイヤーのフォイルシールドを16 mm切除します。
8. 4つのイーサネットワイヤー (緑、緑/白、オレンジおよびオレンジ/白) から絶縁体を8 mm剥きます。
9. 2つのI/Oワイヤー (青および黄) から絶縁体を8 mm剥きます。
10. 3つの電源ワイヤー (赤、赤および黒) から絶縁体を5 mm剥きます。

重要

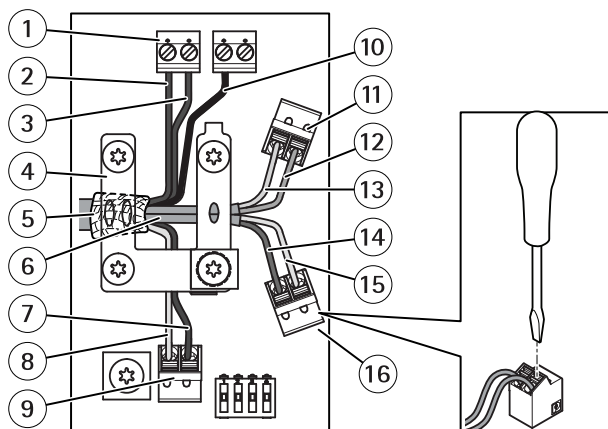
- 絶縁体を剥いた後、適切な接続を確保できるよう、電源およびイーサネットワイヤーにスズを被せる必要があります。
- 2本のイーサネットワイヤーは同じ長さにして、編組シールドの端から約25 mm突き出るようにしてください。

AXIS T86 Media Converter Switch Series



- 1 マルチケーブルの被覆
- 2 編組シールド
- 3 イーサネットワイヤーのフォイルシールド (×2)

11. ネットワークワイヤーを内部ネットワークコネクタ (11、16) に、I/Oワイヤーを内部I/Oコネクタ (9) に接続します。これらのコネクタは、マイナスドライバーでスロットを押し下げて開きます。ワイヤーを挿入し、ドライバーを離します。
12. アース線と電源ワイヤーを電源コネクタ (DC出力 (1)) に接続します。



- 1 電源コネクタ (DC出力)
- 2 電源ワイヤー (赤)
- 3 電源ワイヤー (赤)
- 4 クランプ
- 5 編組シールドコイル
- 6 イーサネットワイヤーシールド (×2)
- 7 デジタルI/Oワイヤー (青)

- 8 デジタルI/Oワイヤー (黄)
- 9 内部I/Oコネクタ
- 10 アース線 (黒)
- 11 内部イーサネットコネクタ
- 12 イーサネットワイヤー (緑)
- 13 イーサネットワイヤー (緑/白)
- 14 イーサネットワイヤー (橙)
- 15 イーサネットワイヤー (橙/白)
- 16 内部イーサネットコネクタ

13. 余ったマルチケーブルを、ガスケットを通して慎重に外に引き戻します。
14. クランプを使用してケーブルを固定し、まとめた編組シールドはグラウンドクリップに挿入してネジを締めます。

注記

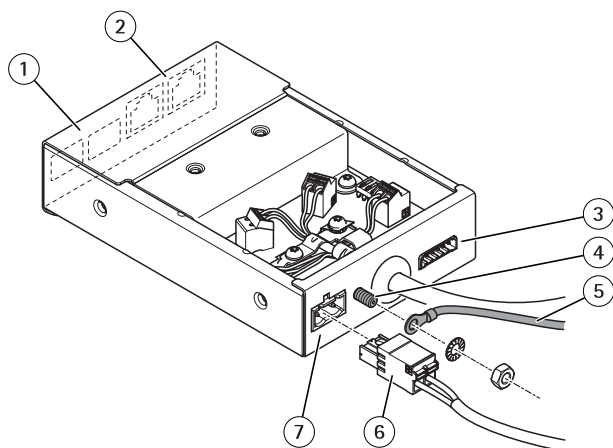
- マルチケーブルが接地されるように、シールドとクランプを完全に接触させてください。
 - マルチケーブルの被覆がクランプでしっかりと固定されていることを確認します。
 - すべての表面と接点が汚れておらず、シールド材の断片が落ちていないことを確認してください。
15. 必要に応じて、ネットワークケーブルを外部ネットワークコネクタ (RJ45、SFP) に接続します。

JA

注意

オプションのファイバーケーブルを接続する場合は、SFPモジュール (非付属品) を使用する必要があります。

16. 使用している場合は、I/Oデバイスを外部I/Oコネクタに接続します。
17. 電源ケーブル (DC入力) をターミナルブロックプラグから電源コネクタ (DC入力) に接続します。
18. アース線をグラウンドスクリューに取り付けます。



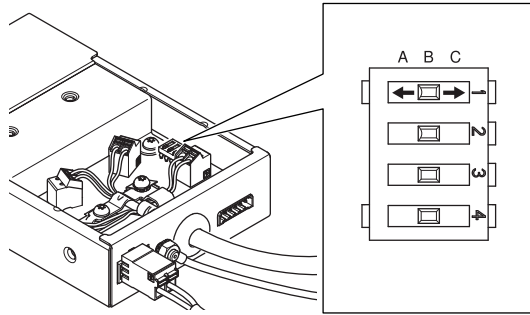
- 1 外部ネットワークコネクタ (SFP) (×2)
- 2 外部ネットワークコネクタ (RJ45) (×2)
- 3 外部I/Oコネクタ
- 4 グランドスクリュー
- 5 アース線
- 6 電源ケーブル (DC入力)
- 7 電源コネクタ (DC入力)

19. 複数のメディアコンバータスイッチをデジチェーン接続する場合は、別のメディアコンバータスイッチに接続するネットワークコネクタポートのディップスイッチをCの位置に設定する必要があります。

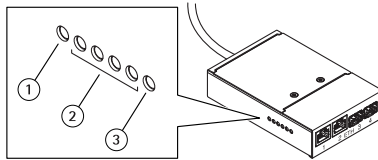
ネットワークに直接接続するポートのディップスイッチはデフォルトの位置 (B) のままにします。詳細については、105ページの、メディアコンバータスイッチのコネクタを参照してください。

重要

システムが定義されていない場合は、デフォルトのディップスイッチ設定 (B) を使用してください。



20. スイッチにカバーを取り付け、ネジを締めます。
21. 電源のスイッチを入れます。
22. メディアコンバータスイッチのLEDインジケータが正しい状態を示していることを確認します。詳細については、105ページの、メディアコンバータスイッチのLEDインジケータを参照してください。



- 1 電源LEDインジケータ
- 2 ネットワークLEDインジケータ (×4) ETH 1/2/3/4
- 3 カメラのLEDインジケータ

関連情報

- 本書の最新バージョンについては、axis.comにアクセスしてください。
- 役に立つオンライントレーニングおよびWebセミナーをご用意しております。axis.com/academyをご覧ください。

オプションアクセサリ

本製品で利用可能なすべてのアクセサリについては、axis.comで本製品のページを開いて「ソフトウェア&アクセサリ」を参照してください。

仕様

最新バージョンの製品のデータシートについては、axis.comで本製品のページを開いて「Support & Documentation (サポートとドキュメント)」へお進みください。

メディアコンバータスイッチのLEDインジケータ

LED	色	説明
電源	無点灯	DC電源未接続または過電流保護(電力過負荷状態)時は、無点灯のままです。
	緑	DC電源接続時に点灯します。
ネットワーク (×4)	黄	10 Mbit接続時に点灯します。通信時には点滅しません。
	緑	100/1000 Mbit接続時に点灯します。通信時には点滅しません。
カメラネットワーク (AXIS T8607のみ)	緑	100 Mbit接続時に点灯します。通信時には点滅しません。

JA

コネクタ

メディアコンバータスイッチのコネクタ

注記

本製品は、シールドネットワークケーブル(STP)を使用して接続してください。本製品は、用途に合ったケーブルを使用してネットワークに接続してください。ネットワーク装置がメーカーの指示どおりに設置されていることを確認します。法的要件については、*Electromagnetic compatibility (EMC) on page 4*を参照してください。

重要

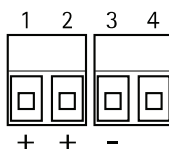
メディアコンバータスイッチはホットスワップに対応していません。カメラを交換する前にスイッチの電源を切断してください。ホットスワップを行うと、スイッチがフリーズする原因となります。フリーズした場合は再起動を行う必要があります。

AXIS T86 Media Converter Switch Series

カメラコネクタ

電源コネクタ

電源出力用2ピンターミナルブロック×2(ピン4は未使用)。



機能		ピン	備考
DC出力	24V DC	1, 2	カメラへの電源出力
	0V DC (-)	3	
	該当なし	4	該当なし

ネットワークコネクタ

2ピンイーサネットターミナルブロック(×2)。



I/Oターミナルコネクタ

2ピンターミナルブロック。



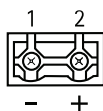
外部コネクタ

アース端子ネジ

メディアコンバータスイッチをアース線に接続するためのアース端子ネジ。アース線の両端がアース面と接触していることを確認してください。

電源コネクタ

電源入力用2ピンターミナルブロック。



機能		ピン	備考
DC入力	0 V DC (-)	1	
	24 V DC	2	電源 (別売) から電力供給

ネットワークコネクタ (RJ45) ネットワーク用のRJ45コネクタ (10/100Base-T) ×2。

ネットワークスロット (SFP) ネットワーク用SFPスロット (100Base-FX/1000Base-X) ×2。

RJ45およびSFPポートには、それぞれ専用のディップスイッチがあります。このディップスイッチで、ポートのデータ転送方法を制御します。詳細については、108ページを参照してください。

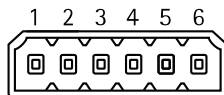
I/Oターミナルコネクタ

6ピンの設定可能なI/Oターミナルブロック。マルチケーブルを使用して、カメラと接続します。外部装置を接続し、カメラに対するいたずらの警報、動体検知、イベントトリガー、低速度撮影、アラーム通知などを使用することができます。I/Oコネクタは、0 V DC基準点と電力 (DC出力) に加えて、以下のインターフェースを提供します。

- **デジタル出力** - リレーやLEDなどの外部デバイスを接続します。接続されたデバイスは、VAPIX®アプリケーションプログラミングインターフェース (API)、[Live View] (ライブビュー) ページの出力ボタン、アクションルールを使用してアクティブにすることができます。アラームデバイスがアクティブな場合は、出力がactiveとして表示されます ([System Options - Port & Devices - Port Status] (システムオプション - ポートとデバイス - ポートの状態) で表示)。
- **デジタル入力** - オープンサーキットとクローズサーキットの切り替えが可能なデバイスを接続するためのアラーム入力。たとえば、PIR、ドア/窓の接触、ガラス破壊検知などです。信号を受け取ると状態が変化し、入力がactiveになります ([System Options - Port & Devices - Port Status] (システムオプション - ポートとデバイス - ポートの状態) で表示)。

6ピンターミナルブロック:

- デジタル入力/出力
- 電源 (DC出力)
- 0 V DC (-)



AXIS T86 Media Converter Switch Series

機能	ピン	備考	仕様
0 V DC (-)	1, 4, 6		0 V DC
DC出力	2	電源出力	12 V DC、50 mA
設定可能なI/O 1 (入力または出力)	3	デジタル入力	0~30 V DC (最大)
		デジタル出力 (トランジスター-オープンコレクター)	0~30 V DC (最大)、オープンドレイン、100 mA
設定可能なI/O 2 (入力または出力)	5	デジタル入力	0~30 V DC (最大)
		デジタル出力 (トランジスター-オープンコレクター)	0~30 V DC (最大)、オープンドレイン、100 mA

ネットワークコネクタのディップスイッチ

重要

システム内のデバイス間の関係が定義されていない場合は、常にデフォルトのディップスイッチ設定 (B) を使用してください。

カメラは、転送されるマルチキャストパッケージすべてに特定のVLANタグを付けます。メディアコンバータスイッチは、カメラ、メディアコンバータスイッチ、および他のネットワークデバイスの間で、これらのマルチキャストパッケージがどのように転送されるかを管理します。これは、カメラとメディアコンバータスイッチをディジーチェーンでネットワークに接続するとき特に有用です。

ディップスイッチの位置を変更することで、メディアコンバータスイッチの各ネットワークコネクタポートを、次の3つの方法でマルチキャストを管理するように設定できます。

DIPスイッチの位置	説明
デフォルト (中央)	B 転送されたマルチキャストパッケージからVLANタグを削除します。直接、もしくは、ルーターまたはネットワークスイッチを経由してネットワークに接続する場合、この設定を使用します。

AXIS T86 Media Converter Switch Series

左	A	VLANタグの付いたマルチキャストパッケージをブロックします。マルチキャスト表示を行わないデバイスに接続する場合、この設定を使用します。
右	C	VLANタグを付けたままマルチキャストパッケージを転送します。別のメディアコンバータスイッチと接続する場合、この設定を使用します。

VLANタグは、物理ネットワーク内に独立した論理ネットワークである仮想ローカルエリアネットワーク (VLAN) を作成するために使用されます。ディジーチェーンで互いに接続された複数のメディアコンバータスイッチは、同じVLANのメンバーです。メディアコンバータスイッチは、スイッチ間を移動するマルチキャストパッケージにタグを付けて、次のメディアコンバータスイッチにパッケージの宛先がわかるようにします。つまり、VLANタグはVLAN識別子として機能します。VLANタグ付けは、複数のカメラとメディアコンバータスイッチを使用するときのみ使用してください。VLANタグを付けたマルチキャストパッケージを転送することで目的を果たせるのは、ポートが別のメディアコンバータスイッチに接続され、そのスイッチが閲覧すべき相手に接続されている可能性があるときだけだからです。

注意

メディアコンバータスイッチの出力側ネットワークコネクタを、別の種類のネットワークデバイスに接続するときは、マルチキャストトラフィックからデバイスを保護するためにディップスイッチをAの位置に設定してください。

JA

動作条件

温度	-40 ° C ~ 75 ° C
湿度	10 ~ 85% RH (結露不可)

電源仕様

製品	電圧	外部電源の最低定格電流
AXIS T8606メディアコンバータスイッチ	24 V DC	0.15 A
AXIS T8607メディアコンバータスイッチ	24 V DC	3.2 A

安全情報

危険レベル

▲危険

回避しない場合、死亡または重傷につながる危険な状態を示します。

▲警告

回避しない場合、死亡または重傷につながるおそれのある危険な状態を示します。

▲注意

回避しない場合、軽傷または中程度の怪我につながるおそれのある危険な状態を示します。

注記

回避しない場合、器物の破損につながるおそれのある状態を示します。

その他のメッセージレベル

重要

製品を正しく機能させるために不可欠な重要情報を示します。

注意

製品を最大限に活用するために役立つ有用な情報を示します。

安全手順

▲警告

本製品の設置は、お使いになる地域の法律や規制に準拠して、訓練を受けた専門技術者が行ってください。

注記

- 本アクシス製品は、お使いになる地域の法律や規制に準拠して使用してください。
- Axisは、シールドネットワークケーブル (STP) の使用を推奨します。
- 本製品は乾燥した換気のよい環境に保管してください。
- 本製品に衝撃または強い圧力を加えないでください。
- 本製品を不安定なポール、ブラケット、表面、または壁に設置しないでください。
- 本製品を振動するポール、ブラケット、表面、または壁に設置しないでください。
- 本製品を設置する際には、適切な工具のみを使用してください。電動工具を使用して過剰な力をかけると、製品が損傷することがあります。
- 化学薬品、腐食剤、噴霧式クリーナーは使用しないでください。
- 清掃には、きれいな水に浸した清潔な布を使用してください。
- 製品の技術仕様に準拠したアクセサリのみを使用してください。これらのアクセサリは、Axisまたはサードパーティから入手できます。Axisは、ご使用の製品と互換性のあるAxis給電ネットワークスイッチの使用を推奨します。
- Axisが提供または推奨する交換部品のみを使用してください。
- 製品を自分で修理しないでください。修理については、Axisサポートまたは販売代理店にお問い合わせください。
- 電源は、製品の近くで簡単に手の届く場所にあるコンセントに接続してください。

輸送

注記

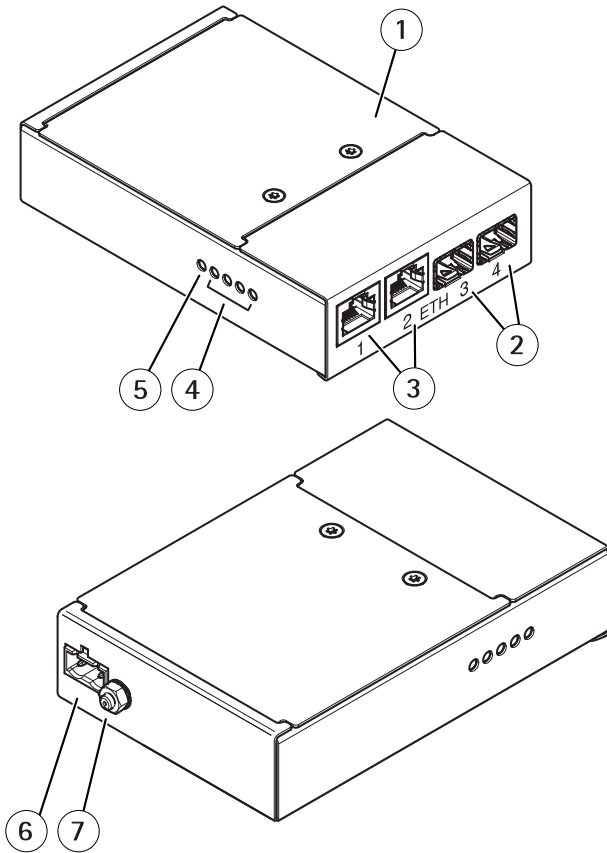
- 本製品を運搬する際は、製品が損傷しないよう、元の梱包が同等の梱包を使用してください。

包装内容

- AXIS T8606/T8607 媒体转换器交换机
- 安装套件
 - DIN 轨道安装夹
 - 螺丝 (2 颗)
- 印刷资料
 - 安装指南 (本文档)

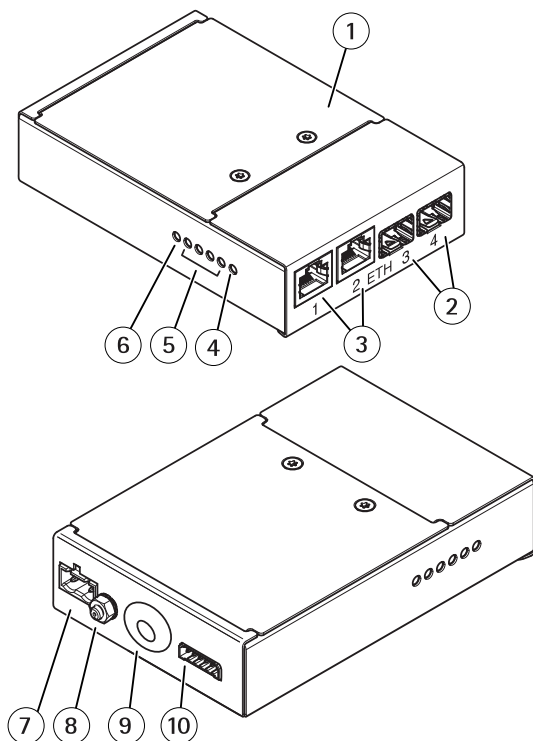
硬件概览

AXIS T8606 Media Converter Switch – 外部视图



- 1 外壳
- 2 网络连接器 SFP (2 个)
- 3 网络连接器 RJ45 (2 个)
- 4 网络 LED 指示灯 (4 个)
- 5 LED 电源指示灯
- 6 电源连接器 (DC 输入)
- 7 接地螺丝

AXIS T8607 Media Converter Switch – 外部视图



- 1 外壳
- 2 网络连接器 SFP (2 个)
- 3 网络连接器 RJ45 (2 个)
- 4 摄像机网络 LED 指示灯
- 5 网络 LED 指示灯 (4 个)
- 6 LED 电源指示灯
- 7 电源连接器 (DC 输入)
- 8 接地螺丝
- 9 多芯电缆输入端口
- 10 I/O 端子连接器

如何安装产品

推荐的工具

- Torx® 螺丝刀 T10
- 电缆套管钳（使用接地电缆）
- 7 毫米扳手（处理接地螺丝）
- 平头螺丝刀 2.5 毫米
- 剥线工具（用于将电缆连接到 AXIS T8607）

如何安装 AXIS T8606 媒体转换器交换机

注意

- 媒体转换器交换机应安装在防尘和防水的环境中，例如，室内或适合的机柜中。
- 媒体转换器交换机应使用其专用的屏蔽网络电缆 (STP) 进行连接。确保交换机正确接地。有关法规要求，请参见。

有关硬件组件的概述，请参见 [第114页](#)。

1. 将媒体转换器交换机安装在墙壁上，或者将其连接到机柜中的 DIN 导轨。
2. 根据需要将网络电缆连接到网络连接器（RJ45，SFP）。
3. 将电源线连接到电源连接器（DC 输入）。
4. 通过连接到接地螺丝，将交换机接地。
5. 确保媒体转换器交换机上的 LED 指示灯指示正确的情况，请参见 [媒体转换器交换机 LED 指示灯 在第122页](#)。

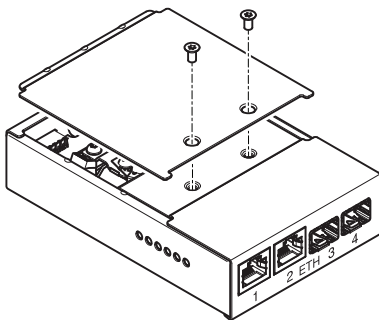
备注

如果您希望配置使用 VLAN 标签的系统，必须正确设置产品的 DIP 开关。请参见 [网络连接器 DIP 开关 在第124页](#)。

如何安装 AXIS T8607 媒体转换器交换机

注意

- 确保与主电源和导线管的连接已由受过培训的专业人员根据制造商的说明并遵循当地法规进行安装。
 - 电源（单独出售）和媒体转换器交换机应安装在防尘和防水的环境中，例如，室内或适合的机柜中。
1. 确保主电源已关闭。
 2. 将电源和媒体转换器交换机安装在墙壁上，或者将其连接到机柜中的 DIN 导轨。如果需要钻孔，请确保使用适合该材料的钻头、螺丝和塞子。
 3. 松开螺丝，然后从媒体转换器交换机上取下半球罩。



4. 将多芯电缆的末端从装置后部的线缆垫圈中穿过，并拉出足够长度以方便使用。

重要

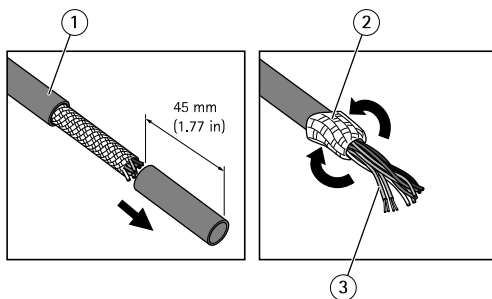
如果需要缩短随附电缆的长度，请按照步骤 5–10 操作。否则，请继续步骤 11。

5. 将多芯电缆护套的末端剥去约 45 毫米（1.77 英寸）。
6. 保持编织屏蔽层完好，并将其折叠为约 20 毫米（0.79 英寸）长。
7. 将以太网线铝箔屏蔽层切除 16 毫米（0.63 英寸）。
8. 将四根以太网电线（绿色、绿色/白色、橙色、橙色/白色）的绝缘层剥去 8 毫米（0.31 英寸）。
9. 将两根 I/O 电线（蓝色和黄色）的绝缘层剥去 8 毫米（0.31 英寸）。
10. 将三根电源线（红色、红色和黑色）的绝缘层剥去 5 毫米（0.20 英寸）。

ZH

重要

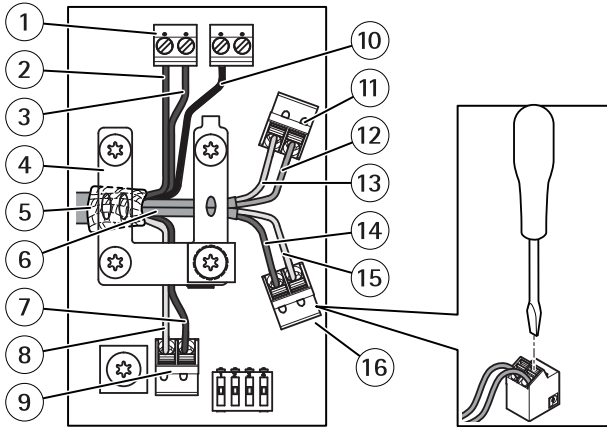
- 剥去绝缘层后，电源线和以太网电线必须包以马口铁以确保正确连接。
- 以太网电线必须足够长，并且应从编织屏蔽层末端伸出约 25 毫米（1.0 英寸）。



- 1 多芯电缆护套
- 2 编织屏蔽层

3 以太网线铝箔屏蔽层 (2个)

11. 将网络和 I/O 电线连接到内部网络连接器 (11、16) 和 I/O 连接器 (9)。使用平头螺丝刀在插槽上向下推，打开这些连接器。插入电线，然后松开。
12. 将接地线和电源线连接到电源连接器 (DC 输出 (1))。



- 1 电源连接器 (DC 输出)
- 2 电源线 (红色)
- 3 电源线 (红色)
- 4 夹子
- 5 编织屏蔽线圈
- 6 以太网线屏蔽层 (2个)
- 7 数字输入/输出线 (蓝色)
- 8 数字输入/输出线 (黄色)
- 9 I/O 连接器 (内部)
- 10 接地线 (黑色)
- 11 以太网连接器 (内部)
- 12 以太网线 (绿色)
- 13 以太网线 (绿色/白色)
- 14 以太网线 (橙色)
- 15 以太网线 (橙色/白色)
- 16 以太网连接器 (内部)

13. 从垫圈中将多余的多芯电缆重新拉出。
14. 确保夹子就位，将编织屏蔽线圈插入接地夹，然后拧紧螺丝。

注意

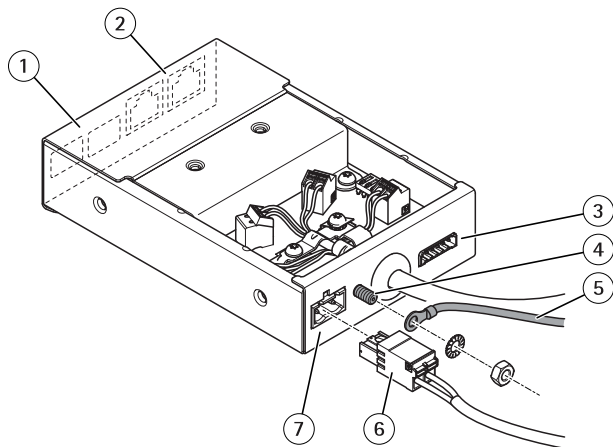
- 屏蔽层和夹子表面必须彼此完全接触，以使多芯电缆接地。

- 确保多芯电缆护套由夹具牢固固定。
 - 确保表面和接触位置清洁，没有废弃的屏蔽层材料。
15. 根据需要 will 网络电缆连接到外部网络连接器（RJ45，SFP）。

备注

连接光纤电缆时，必须使用 SFP 模块（不包括）。

16. 如果使用，将 I/O 设备连接到外部 I/O 连接器。
17. 通过接线端子插头将电源线（DC 输入）连接到电源连接器（DC 输入）。
18. 将接地线连接到接地螺丝。

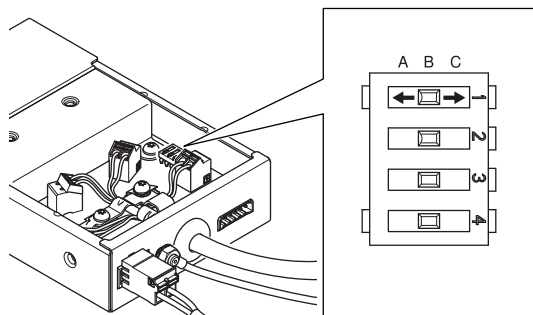


- 1 网络连接器 SFP (外部) (2个)
- 2 网络连接器 RJ45 (外部) (2个)
- 3 I/O 连接器 (外部)
- 4 接地螺丝
- 5 接地线
- 6 电源线 (DC 输入)
- 7 电源连接器 (DC 输入)

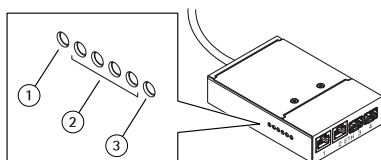
19. 如果在菊链式网络中连接几个媒体转换器交换机，您需要将连接到其他媒体转换器交换机的每个传出网络连接器端口的 DIP 开关设置到位置 C。将端口直接连接到网络时，请将 DIP 开关保留在其默认位置（位置 B）。有关详细信息，请参见 [媒体转换器交换机连接器](#) 在第 122 页。

重要

如果未定义系统，请使用默认 DIP 开关设置（位置 B）。



20. 更换交换机上的顶罩并拧紧螺丝。
21. 打开电源。
22. 确保媒体转换器交换机上的 LED 指示灯指示正确的情况。有关详细信息，请参见 *媒体转换器交换机 LED 指示灯* 在第122页。



- 1 LED 电源指示灯
- 2 网络 LED 指示灯 (4 个) ETH 1/2/3/4
- 3 摄像机 LED 指示灯

更多信息

- 若要获取本文档的新版本，请参见 axis.com
- 如需有用的在线培训和在线研讨会，请参见 axis.com/academy

可选附件

欲查看本产品可用附件的完整列表，请转到 axis.com 上的产品页并选择“软件和附件”。

规格

要查找最新版本的产品数据表，请转到 axis.com 上的产品页并查找**支持和文档**。

媒体转换器交换机 LED 指示灯

LED	颜色	指示
电源	熄灭	DC 电源未连接或应用电流保护（电源过载）
	绿色	已连接 DC 电源。
网络 (4x)	淡黄色	10 兆比特连接。在活动期间闪烁。
	绿色	100/1000 兆比特连接。在活动期间闪烁。
网络摄像机（仅 AXIS T8607）	绿色	100 兆比特连接。在活动期间闪烁。

接口

媒体转换器交换机连接器

注意

该产品应使用屏蔽网络电缆 (STP) 进行连接。将产品连接到网络的电缆应专用于其特定用途。确保根据制造商的说明安装网络设备。有关法规要求的信息，请参见 *Electromagnetic compatibility (EMC) on page 4*。

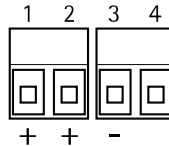
重要

媒体转换器交换机不支持热插拔。交换摄像机之前，请断开交换机电源。尝试热插拔可能导致交换机冻结，在此情况下必须重启。

摄像机连接器

电源连接器

两个 2 针接线端子，用于电源输出（未使用针 4）。



功能		针	备注
DC 输出	24 V DC	1, 2	向摄像机输出电源
	0 V DC (-)	3	
	不适用	4	不适用

网络连接器

2 针以太网接线端子 (2 个)。



I/O 端子连接器

2 针接线端子。



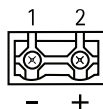
外部连接器

接地螺丝

接地螺丝，用于将媒体转换器交换机接地。确保接地线的两端与其各自的接地表面接触。

电源连接器

2 针接线端子，用于电源输入。



ZH

功能		针	备注
DC 输入	0 V DC (-)	1	
	24 V DC	2	电源输入 (单独出售)

网络连接器 RJ45

两个 RJ45 连接器 (10/100Base-T)，用于网络。

网络插槽 SFP

两个 SFP 插槽 (100Base-FX/1000Base-X)，用于网络。

AXIS T86 Media Converter Switch Series

每个 RJ45 和 SFP 端口都有其自己的 DIP 开关。DIP 开关控制端口转发数据的方式。有关详细信息，请参见第 124 页。

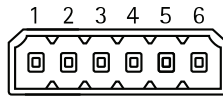
I/O 端子连接器

6 针可配置 I/O 接线端子，通过多芯电缆连接到摄像机。用于外部设备，例如与主动防破坏报警、运动侦测、事件触发、时间间隔录制和警报通知结合使用。除了 0 V DC 参考点和电源（DC 输出）以外，I/O 连接器还提供了以下接口：

- **数字输出** – 用于连接继电器和 LED 等外部设备。已连接的设备可通过 VAPIX® 应用程序编程接口、“直播”页面上的输出按钮或操作规则进行激活。如果已激活警报设备，则输出将显示为活动状态（显示在 **System Options > Port & Devices > Port Status (系统选项 > 端口和设备 > 端口状态)** 下方）。
- **数字输入** – 警报输入，用于连接可在开路和闭路之间切换的设备，例如：PIR、门/窗传感器、玻璃破碎探测器等。收到信号时，状态将变化，输入将变为活动状态（显示在 **System Options > Port & Devices > Port Status (系统选项 > 端口和设备 > 端口状态)** 下方）。

6 针接线端子，用于：

- 数字输入/输出
- 电源（DC 输出）
- 0 V DC (-)



功能	针	备注	规格
0 V DC (-)	1, 4, 6		0 V DC
DC 输出	2	电源输出	12 V DC, 50 mA
可配置 I/O 1 (输入或输出)	3	数字输入	0 至最大 30 V DC
		数字输出 (晶体管 - 开集)	0 至最大 30 V DC, 开漏, 100 mA
可配置 I/O 2 (输入或输出)	5	数字输入	0 至最大 30 V DC
		数字输出 (晶体管 - 开集)	0 至最大 30 V DC, 开漏, 100 mA

网络连接器 DIP 开关

重要

如果未定义系统中各设备之间的关系，请始终使用默认的 DIP 开关设置（位置 B）。

摄像机将特定 VLAN 标记附加到其转发的组播包。媒体转换器交换机用于管理如何在摄像机、媒体转换器交换机及其他网络设备之间转发这些组播包。将摄像机和媒体转换器交换机连接到菊链式网络时，这尤其有用。

通过改变 DIP 开关的位置，媒体转换器交换机中每个网络连接器端口可以配置为使用三种不同方式来管理组播。

DIP 开关位置		说明
默认（中间）	B	从转发的组播包中移除 VLAN 标记。在直接或通过路由器或网络交换机连接到网络时，使用此设置。
左	A	阻止具有 VLAN 标记的组播包。在连接到不适合组播查看的设备时，使用此设置。
右	C	转发具有 VLAN 标记的组播包。在连接到其他媒体转换器交换机时，使用此设置。

VLAN 标记用于在物理网络中创建独立的逻辑网络、虚拟局域网 (VLAN)。在菊链式网络中彼此相连的多个媒体转换器交换机是同一 VLAN 的成员。媒体转换器交换机可标记在这些交换机之间移动的组播包，以便下一个在线媒体转换器知道这些包的目的地。换言之，VLAN 标记用作 VLAN 标识符。仅当使用多个摄像机和媒体转换器交换机时，才应使用 VLAN 标记，因为仅在端口连接到其他媒体转换器交换机（可能连接到潜在浏览者）时，转发具有 VLAN 标记的组播包才有意义。

备注

将传出媒体转换器交换机网络连接器连接到另一种类型的网络设备时，请将 DIP 开关设置到位置 A，以保护设备免受组播流量影响。

工作条件

温度	-40 ° C 到 75 ° C (-40 ° F 到 167 ° F)
湿度	10-85% RH (非冷凝)

AXIS T86 Media Converter Switch Series

电源规格

产品	电压	外部电源的最小额定电流
AXIS T8606 媒体转换器交换机	24 V DC	0.15 A
AXIS T8607 媒体转换器交换机	24 V DC	3.2 A

安全信息

危险等级

▲危险

表示如果不避免则会导致死亡或严重伤害的危险情况。

▲警告

表示如果不避免则可能导致死亡或严重伤害的危险情况。

▲小心

表示如果不避免则可能导致轻微或中度伤害的危险情况。

注意

表示如果不避免则可能导致财产损失的情况。

其他消息等级

重要

表示产品正常工作所必需的重要信息。

备注

表示有助于充分利用产品的有用信息。

安全说明

警告

安讯士产品应由受过培训的专业人员进行安装，并遵守当地法律和法规。

注意

- 使用 Axis 产品时应遵守当地法律和法规。
- 安讯士推荐使用屏蔽网络电缆 (STP)。
- 在干燥通风的环境中存放安讯士产品。
- 避免将安讯士产品暴露在冲击或高压环境下。
- 请勿将产品安装在不稳固的立杆、支架、表面或墙壁上。
- 请勿将本产品安装在振动的立杆、支架、表面或墙壁上。
- 安装安讯士产品时，仅使用适用的工具。使用电动工具过度施力可能导致产品损坏。
- 请勿使用化学品、腐蚀剂或气雾剂。
- 使用蘸纯净水的干净布进行清洁。
- 仅使用符合产品技术规格的附件。这些附件可由安讯士或第三方提供。安讯士推荐使用与产品兼容的安讯士电源设备。
- 仅使用安讯士提供或推荐的备件。
- 请勿尝试自行维修产品。有关服务事项，请联系安讯士支持部门或安讯士经销商。
- 电源应插入安装在产品附近的插座上并易于触及。

运输

注意

- 安讯士产品运输途中，应使用其原包装或等效包装，以防对产品造成损坏。

