

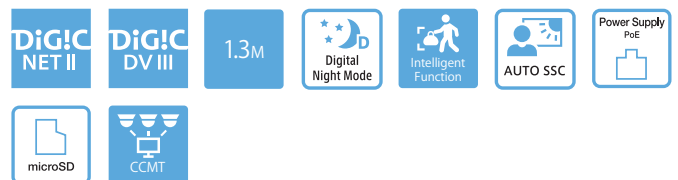
VB-S805D Mk II

Smart, HD Fixed Minidome camera in an ultra-compact body.

The Fixed Minidome is a HD network security camera with ultra-compact lens technology. Ideal for indoor security in retail, education and business environments.



- HD at 30fps for clear, detailed images
- CMOS sensor delivers high performance in low light
- Wide angle F/1.6 Canon lens offers a 95,0° Angle of View
- Multi-streaming of MJPEG and H.264 video in HD or lower resolutions
- Direct recording / playback from microSD card (64GB)
- Auto Smart Shade Control (Auto-SSC) applies the optimum exposure for every environment
- Motion Adaptive Noise Reduction and Area-Specific Data Size Reduction (ADSR) help reduce data size while optimising image quality
- Built-in analytics functions for intelligent and efficient alarm detection
- Live monitoring and configuration on supported web browsers and mobile devices
- ONVIF® Profile S compliant
- Compact size: just 120mm in diameter and 54mm in height



Canon

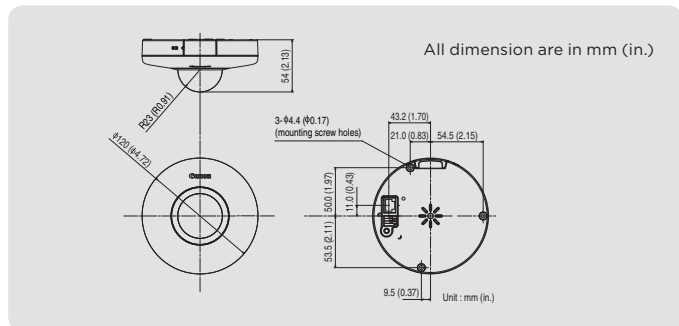
VB-S805D Mk II

Technical Specifications

CAMERA	
Image Sensor	1/3 type CMOS (primary colour filter)
Number of Effective Pixels	Approx. 1.3 million pixels
Scanning Method	Progressive
Lens	Fixed focal length lens (4x digital zoom)
Focal Length	2.7 mm
F-number	F1.6
Viewing Angle	For 16:9 aspect ratios: Horizontal: 96.0° Vertical: 60.5° For 4:3 aspect ratios: Horizontal: 77.0° Vertical: 60.5°
Day / Night Switch	Auto / Day Mode / Night Mode
Min. Subject Illumination	Day Mode (colour): 0.45 lux (F1.6, shutter speed 1/30 sec., SSC off, 50IRE) Night Mode (monochrome): 0.25 lux (F1.6, shutter speed 1/30 sec., SSC off, 50IRE)
Shooting Distance (from front of lens)	0.5 m (1.6 ft.) - infinity
Shutter Speed	1, 1/2, 1/4, 1/8, 1/15, 1/30, 1/50, 1/60, 1/100, 1/120, 1/250, 1/500, 1/1000, 1/2000, 1/4000, 1/8000, 1/10000, 1/16000 sec.
Exposure	Auto / Auto (Flickerless) / Auto (Flickerless2) / Auto (Shutter-priority AE) / Manual
White Balance	Auto/Manual Daylight Fluorescent/White Fluorescent/Warm Fluorescent/ Mercury Lamp/Sodium Lamp/Halogen Lamp Manual: One-shot WB/R Gain/B Gain
Metering Mode	Center-Weighted / Average / Spot
Exposure Compensation	9 levels
Smart Shade Control	Auto / Manual / Disable Auto: 3 levels Manual: 7 levels
Haze Compensation	Auto / Manual / Disable Auto: 3 levels Manual: 7 levels
AGC Limit	6 levels
Motion-Adaptive NR (Noise Reduction)	Available
Pan Angle Range	350° (±175°)
Tilt Angle Range	90° (ceiling-mounted position: -90° - 0°) - When the horizontal direction of the camera is 0°
Rotation Angle Range	180° (±90°)
SERVER	
Video Compression Method	JPEG, H.264
Video Size	JPEG, H.264: 1280 x 720, 640 x 360, 320 x 180 1280 x 960, 640 x 480, 320 x 240
Video Quality	JPEG, H.264: 10 levels
Frame Rate	JPEG: 0.1 - 30 fps H.264: 1/2/3/5/6/10/15/30 fps - Values represent streaming performance from the camera. - The frame rate may be reduced due to Viewer PC's specs, the number of clients accessing at the same time, network loads, video quality setting, type or movement of the subject or other reasons.
Max. Frame Rate	When streaming JPEG, H.264 (1920 x 1080): 30 fps When used in the following combinations: When streaming H.264(1) (1920 x 1080) and H.264(2) (all sizes) simultaneously: 15 fps When streaming H.264(1) (all sizes) and H.264(2) (1920 x 1080) simultaneously: 15 fps When streaming H.264(1) (1280 x 960) and H.264(2) (1280 x 960) simultaneously: 15 fps When streaming H.264(1) (1280 x 720) and H.264(2) (1280 x 720) simultaneously: 15 fps
I-Frame Interval	0.5/1/1.5/2/3/4/5 sec.
Simultaneous Client Access	Max. 30 Clients + 1 Admin Client - H.264: Max. 10 Clients

Bit Rate Control	Target Bit Rate: 64/128/256/384/512/768/1024/1536/2048/3072/4096/6144/8192/10240/12288/14336/16384 kbps
ADSR: Area-specific Data Size Reduction	Number of Specified Areas: Max. 8 areas Data Size Reduction Level: 3 levels
Encrypted Communications	SSL / TLS, IPsec (Auto Key Exchange / Manual)
IEEE 802.1X	EAP-MD5, EAP-TLS, EAP-TTLS, EAP-PEAP
Protocol	IPv4, IPv6, TCP/IP, UDP, HTTP, FTP, SNMPv1/v2c/v3 (MIB2), DHCP, DNS, AutoIP, mDNS, ARP, ICMP, POP3, NTP, SMTP, RTP/RTCP, RTSP, SSL/TLS, IPsec, ONVIF, WV-HTTP (Canon proprietary)
ONVIF Profile	Profile-S
Audio Compression Method	G.711 μ -law (64 kbps)
Audio Communication Method	Audio Reception Only
Privacy Mask	Number of registration: Max. 8 places, Number of mask colours: 1 (select from 9 colours)
Preset	Number of registers: Max. 20 positions (+Home Position) Number of Preset Tour Route: Max. 1
Intelligent Function	Video: Moving Object Detection, Abandoned Object Detection, Removed Object Detection, Camera Tampering Detection, Passing Detection, Intrusion Detection Detection Settings: Max. 15 Non-detection Area Settings: Available Audio: Volume Detection, Scream Detection
Event Trigger Type	External Device Input, Timer, Intelligent Function (Video), Intelligent Function (Volume)
Image Upload	FTP / HTTP / SMTP (e-mail)
Event Notification	HTTP / SMTP (e-mail)
Camera Angle Setting	Available
Image Cropping Function	Digital PTZ Cropping sizes: 640 x 360 / 512 x 288 / 384 x 216 / 256 x 144 / 128 x 72 640 x 480 / 512 x 384 / 384 x 288 / 256 x 192/128 x 96
On-Screen Display	Available (English only) - The following languages require the use of the On-Screen Display Assist Tool. German/Spanish/French/Italian/Polish/Russian/Turkish/Korean/Chinese (Simplified)/Japanese
Daylight Saving Time	Available
APPLICATION	
Viewer	Camera Viewer Mobile Camera Viewer
Camera software	Camera Management Tool Recorded Video Utility On-Screen Display Assist Tool
Language	German/English/Spanish/French/Italian/Polish/Russian/Turkish/Thai/Korean/Chinese (Simplified)/Japanese
INTERFACE	
Network Terminal	LAN x1 (RJ45, 100Base-TX (auto / full-duplex / half-duplex))
Audio Input Terminal (common for LINE IN & MIC IN)	Φ 3.5 mm (Φ 0.14 in.) mini-jack connector (monaural) LINE IN (connect to an amplifier microphone) or MIC IN (connect to a microphone w/o amplifier) - Switch LINE IN/MIC IN in the Setting Page.
External Device I/O Terminal	Input x1, Output x1
Memory Card	microSD Memory Card, microSDHC Memory Card, microSDXC Memory Card Compatible. Frame Rate: Max. 1 fps (JPEG) Max. 30 fps (H.264)
OTHER	
Operating Environment	Temperature: -10°C - +50°C (+14°F - +122°F) Humidity: 5% - 85% (without condensation)
Power Supply	PoE: PoE power supply via LAN connector (IEEE802.3at Type1 compliant)
Power Consumption	Max. 4.1 W - Class 2 power sourcing equipment (requests 7.0 W)
Dimensions	(H x W x D) 54 x 32 x 114 mm (2.13 x 1.26 x 4.49 in.) - excluding projections
Weight	Approx. 180 g (6.4 oz.)
International Standard	EN55032 Class B, FCC part15 subpart B Class B, ICES-003 Class B, VCCI Class B, RCM AS/NZS EN55032 Class B, CNS13438 Class B, KN22 Class B, EN55024, KN24, EN50581
	IEC/UL/EN60950-1

Dimensions



Smart, HD Fixed Minidome camera in an ultra-compact body.

VB-S805D Mk II



The Fixed Minidome is a HD network security camera with ultra-compact lens technology. Ideal for indoor security in retail, education and business environments.

Sales Start Date: Q1, 2018

Product Details:

Product Name	Mercury Code	EAN Code
Network Camera VB-S805D Mk II	2554C001AB	4549292107005

Optional Accessories:

Product Name	Mercury Code	EAN Code
Pendant Mounting Kit (PC30-VB)	9919B001AA	4549292022575
Surface Mounting Spacer (SS30-VB)	9920B001AA	4549292022582
Junction Box Mounting Kit (PS30-VB)	9921B001AA	4549292022568
Plenum Mounting Kit (SR30-P-VB)	1065C001AA	4549292071566

Measurement / Logistic Information:

Product Name	Mercury code	Pack type	Pack description	Quantity per pack	Length (mm)	Width (mm)	Height (mm)	Net Weight (kg)	Gross Weight (kg)
Network Camera VB-S805D Mk II	2554C001AB	EA	Each	1	174	174	135	Approx. 0.2	Approx. 0.6
		CT	Carton	6	445	374	212	Approx. 1.4	Approx. 4.5
		EP	Euro Pallet	—	—	—	—	—	—

What's in the box?

- VB-S805D Mk II Main Unit
- Installation guide & template
- Safety wire & screw
- Warranty Card
- Before Using this Camera
- EAC-Supported Guide