

# Indoor Dome Housing DR41-C-VB / DR41-S-VB Installation Guide

Be sure to read the "Safety Precautions" section for correct use. After reading this "Installation Guide", keep it in a readily accessible location for future reference. In addition to this "Installation Guide", also read the "Installation Guide" included with the camera.

**Caution** Request a professional installer for all installation work. Never try to install the camera yourself. Doing so may result in unforeseen accidents such as dropping the camera or electric shock.

## Check Included Items

This product comes with the following items. If any item is missing, contact the dealer where you purchased the product.

- |                              |  |             |
|------------------------------|--|-------------|
|                              |  |             |
| 1. Ceiling bracket           | 2. Backside ceiling bracket            | 3. Dome     |
|                              |  |             |
| 4. Dust cover                | 5. Safety wire                         | 6. Template |
| 7. Fixing screws (M3) x7     | 8. Ceiling bracket screws (M4) x3      |             |
| 9. Dome fixing screw (M2) x1 | 10. Installation Guide (this document) |             |

## Using the Indoor Dome Housing

When using the indoor dome housing, it is recommended you use it with the black model camera to reduce the camera's visibility and reflection.

### Important

- If using the dome housing, care must be taken when installing the camera since the dome may blur the video, or the body of the dome may be visible, when the camera lens approaches the horizontal (less than 15°).
- The angle of view is slightly wider when using the dome housing.
- Grime on the dome may reduce image quality. Periodic cleaning is recommended. Use a soft cloth moistened with water or diluted neutral detergent to wipe away grime, then wipe dry.

## Symbols Indicating Safety Precautions

This Installation Guide uses the following marks to indicate the important information the user should know in order to use the product safely. Be sure to observe these items.

	<b>Warning</b>	Inappropriate handling against the instruction accompanied by this sign may result in death or serious injury. Be sure to observe these warnings to ensure safety.
	<b>Caution</b>	Inappropriate handling against the instruction accompanied by this sign may result in injury. Be sure to observe these precautions to ensure safety.
	<b>Caution</b>	Inappropriate handling against the instruction accompanied by this sign may result in property damage. Be sure to observe these precautions.
	<b>Important</b>	This symbol indicates important or restricted items. Be sure to read this section.
	<b>Note</b>	Contains reference information for operation or additional explanations.

## Safety Precautions

This section explains precautions that must be observed when using the camera. If they are not observed, injury, death and/or property damage may occur. Read the following information carefully and be sure to observe the precautions.

### Installation Precautions

#### Warning

Do not install in the following places:

- Places in direct sunlight, near heat-generating objects, or locations subject to high temperatures
- Places near fire sources or flammable solvents (alcohol, thinner, fuel, etc.)
- Humid or dusty places
- Places subject to oily smoke or steam
- Places subject to sea air
- Confined or enclosed places

Failure to do so may result in fire or electric shock.

#### Caution

For installation or inspection of this camera, consult the dealer where you purchased the product.

- This installation should be made by a qualified service person and should conform to all local codes.
- When installing, make sure the surface is capable of withstanding the total weight of the camera and accessories, and sufficiently reinforce if necessary.
- Be sure to use installation screws designed for the type of surface the camera is to be installed.
- Periodically check the parts and screws for rust and loosening, in order to prevent injuries and equipment damage due to falling items.

- Do not install in unstable places, places subject to significant vibration or impact, or places subject to salt damage or corrosive gas.
- The camera cannot be installed on vertical surfaces such as walls.
- Be sure to attach the safety wire when installing the camera.
- Use only with compatible cameras.

Failure to do so may result in the camera falling or other accidents.

- Do not touch the edge of the metal parts with bare hands.
- Be careful not to get your fingers caught when installing.

Failure to do so may result in injuries.

#### Caution

- Do not hold the device by the camera head.
- Do not turn the camera rotator by hand.
- Do not install the camera on an unstable or inclined surface.
- If there is condensation, please wait to power on, until the condensation dissipates.

Failure to do so may result in malfunctions.

- Take care not to damage wiring or piping.

Failure to do so may result in damage to peripheral items.

### Precautions for Use

#### Warning

- If you discover defective conditions such as smoke, strange sounds, heat or strange odors, immediately stop using the camera and contact your nearest dealer.

Fire or electric shock may result from continued use of the product.

- If thunder starts, stop installation or inspection etc. and do not touch the camera or continue connecting the cable.
- Do not disassemble or modify the camera.
- Do not damage the connecting cable.
- Do not spray the camera with water, or otherwise make it wet.
- Do not insert foreign objects such as water or metal into the camera.
- Do not use flammable sprays near the camera.
- Do not leave LAN cables, external power supply, or the power connector for the AC adapter (sold separately) connected when the camera is not in use for long periods.
- Do not use flammable solvents such as alcohol, paint thinner or benzene when cleaning the camera.

Failure to do so may result in fire or electric shock.

### Notes on Power Supply

#### Warning

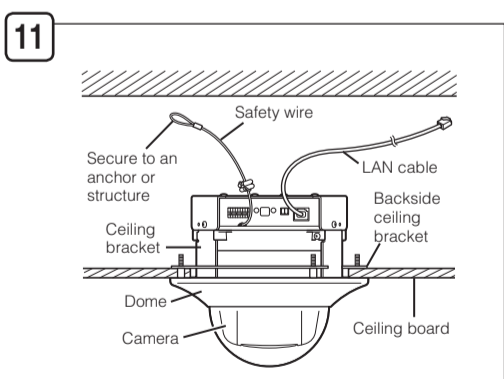
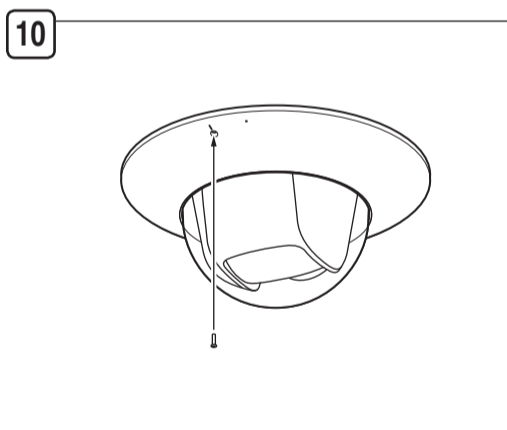
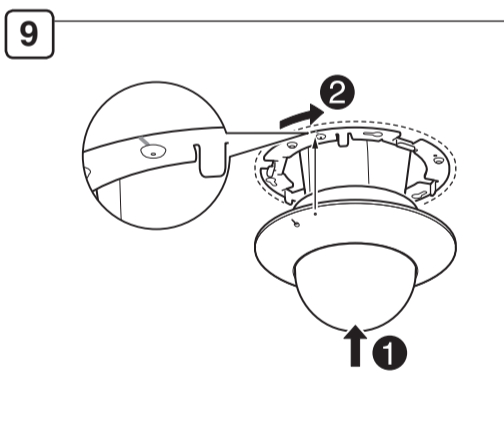
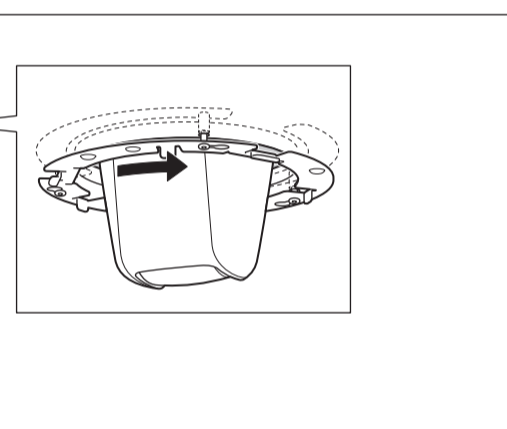
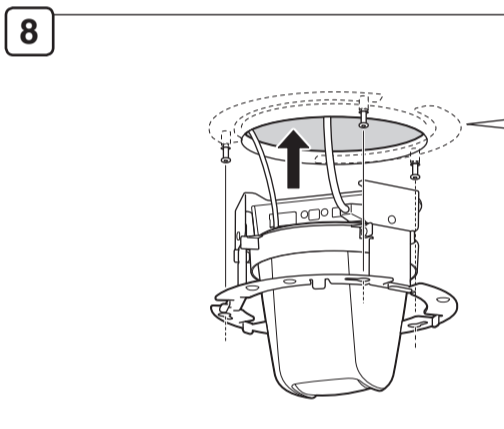
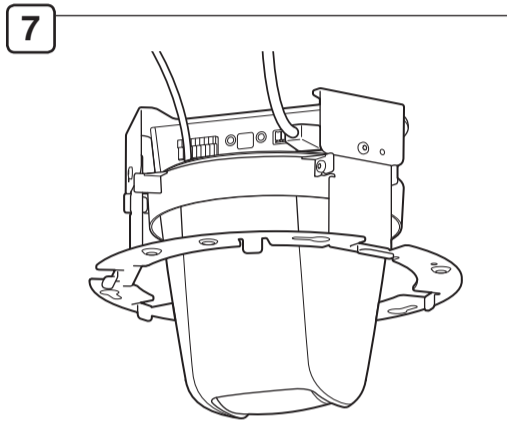
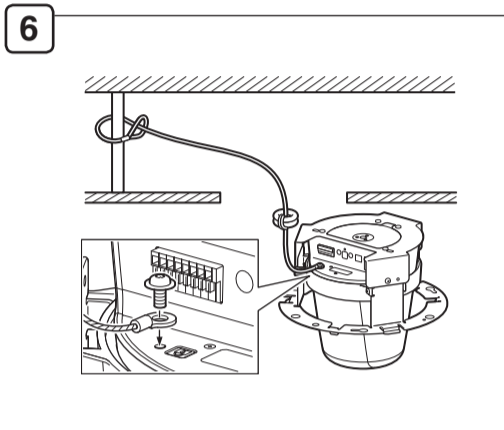
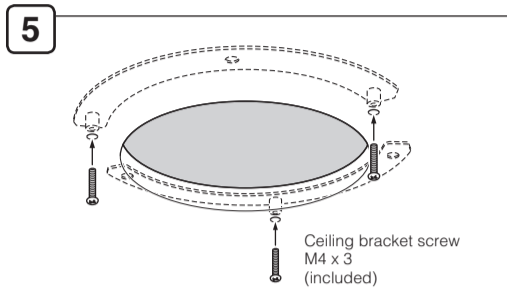
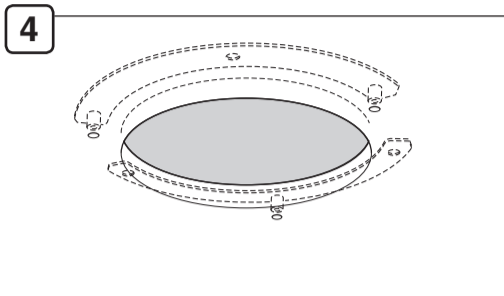
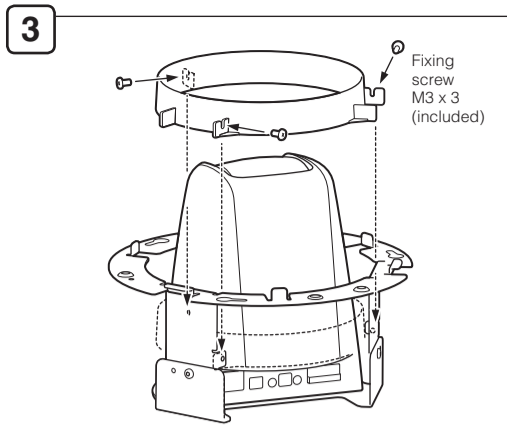
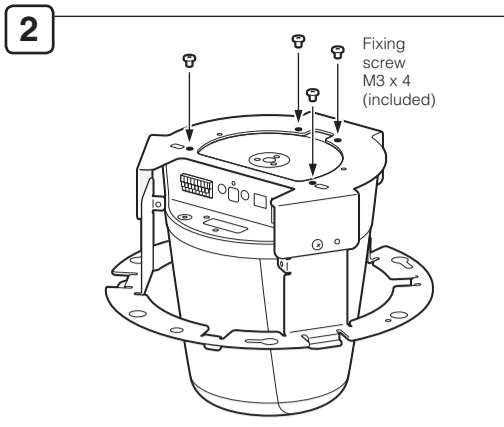
- Only use the dedicated AC adapter (sold separately), when using AC adapter.
- Do not set any heavy objects on the power cable (or the LAN cable for a PoE power supply).
- Do not pull, forcibly bend, scratch, or modify the power cable (or the LAN cable for a PoE power supply).
- Do not cover or wrap the AC adapter (sold separately) with cloth or blankets.

Failure to do so may result in fire or electric shock.

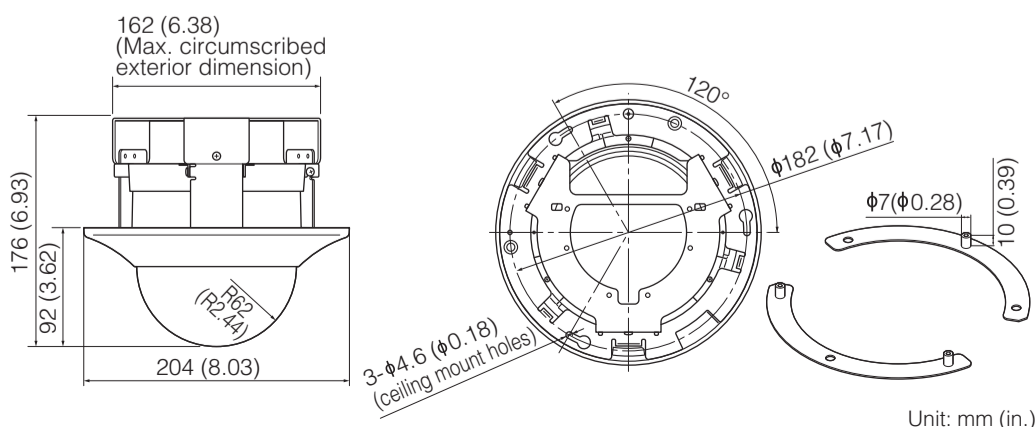
Be sure to read the user manual for the dedicated AC adapter (sold separately) before use.

#### Caution

- Never touch the camera head during initialization. Initialization failure or malfunction may result.
- After turning off the power, wait for at least five seconds before turning the power on again. If the power is turned on again too quickly, the camera may not operate well.



## External Dimensions



## Installing the Camera

The procedures for mounting the camera to the ceiling using the indoor dome housing are described below.

If using a memory card, insert the memory card into the camera before installing (please refer to the "Installation Guide" included with the camera).

### Important

Once the camera is installed to the ceiling, to insert and remove the memory card, the camera must be removed from the ceiling and the ceiling bracket dismounted.

### 1 Determine an installation position for the camera and drill holes in the ceiling

Using the included template, line up the direction of the camera, determine the locations of the backside ceiling bracket mounting holes (three) and the ceiling bracket holes, then drill the holes ( $\phi 165$  mm ( $\phi 6.50$  in.)) into the ceiling.

Use the template with the printed side facing you.

### Important

When mounting the indoor dome housing, be sure no shavings enter the dome.

### 2 Mount the camera to the ceiling bracket

Affix with four included fixing screw (M3).

### 3 Mount the dust cover to the ceiling bracket

Affix with three included fixing screw (M3).

### 4 Attach the backside ceiling brackets inside the ceiling

From the inside of the ceiling, insert the protrusions on the backside ceiling brackets through the mounting holes drilled in step 1.

### 5 Temporarily tighten screws to the backside ceiling bracket

Temporarily tighten the three included ceiling bracket screws (M4) through the ceiling.

### 6 Secure the safety wire

Securely attach the safety wire to an anchor or structure. After securing one end of the safety wire to the ceiling, secure the other end to the camera using the screw that is fastened to the camera.

### 7 Connect the LAN cable to the camera through the wiring hole

If AC Adapter (sold separately) or an external power supply is used, connect the power connector to the camera. Connect cables to external device I/O terminals and audio input/output terminals as necessary (please refer to the "Installation Guide" included with the camera).

### 8 Mount the ceiling bracket on the ceiling

Position the ceiling bracket over the screws temporarily tightened in step 5, turn clockwise to temporarily secure in place, and completely fasten the screws.

### 9 Attach the dome

Align the (O) mark on the dome with the (I) mark on the ceiling bracket, and turn clockwise until the (I) mark on the dome aligns with the (I) mark on the ceiling bracket. This procedure also aligns the ceiling bracket screw hole with the dome fixing screw hole.

### 10 Affix the dome

To prevent the dome from rotating, attach one dome fixing screw (M2).

### 11 Reboot the camera when the installation is complete

The camera position is initialized (please refer to the "Operation Guide").

### Note

While the LED is on, light may reflect inside the dome and be captured on video. If this happens, set the LED setting to [Turn Off] (please refer to the "Operation Guide").

## Specifications

Model	DR41-C-VB/DR41-S-VB
Type	Clear/Smoked *
Dimensions	( $\phi$ x H) $\phi 204$ x 176 mm ( $\phi 8.03$ x 6.93 in.) (Dome: R62 mm (R2.44 in.))
Weight	Approx. 765 g (1.687 lb.) (excluding camera)

\* This dome is approximately 50% transparent.