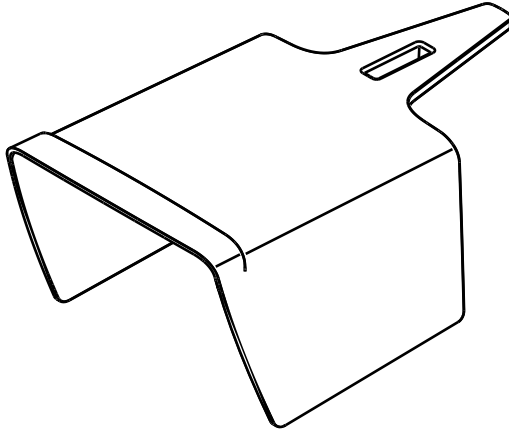


AXIS P13 Weathershield Extension A



Installation guide

Guide d'installation

Installationsanleitung

Guida all'installazione

Guía de instalación

インストールガイド

Guia de instalação

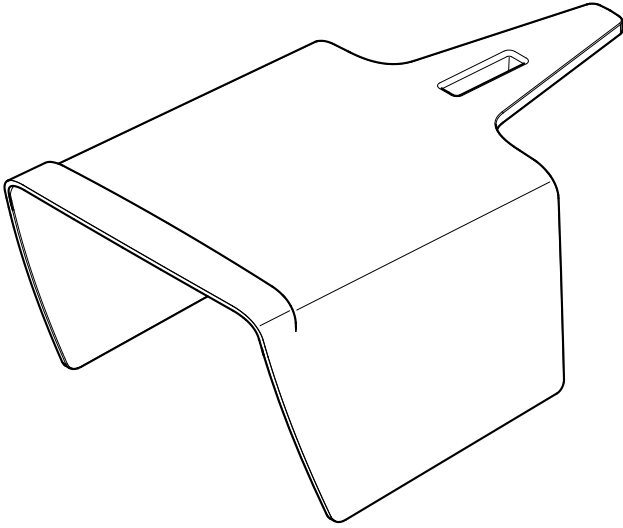
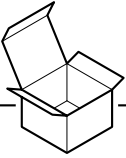
РУКОВОДСТВО ПО УСТАНОВКЕ

설치가이드

安裝指南

Panduan instalasi

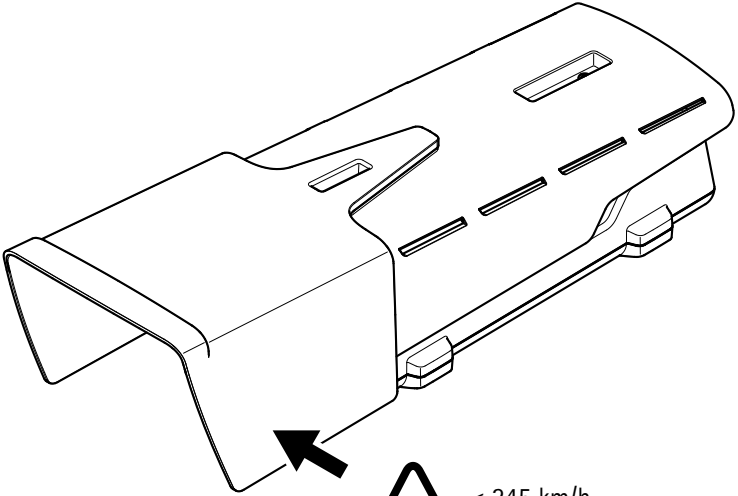
Kurulum kılavuzu



1x

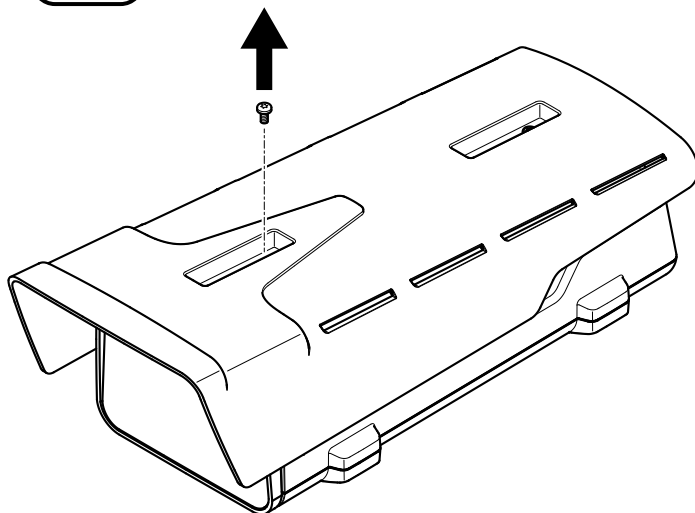


1x

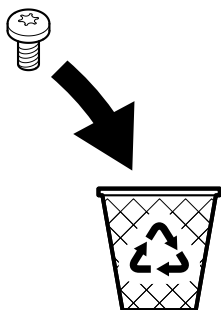


< 245 km/h
(< 150 mph)

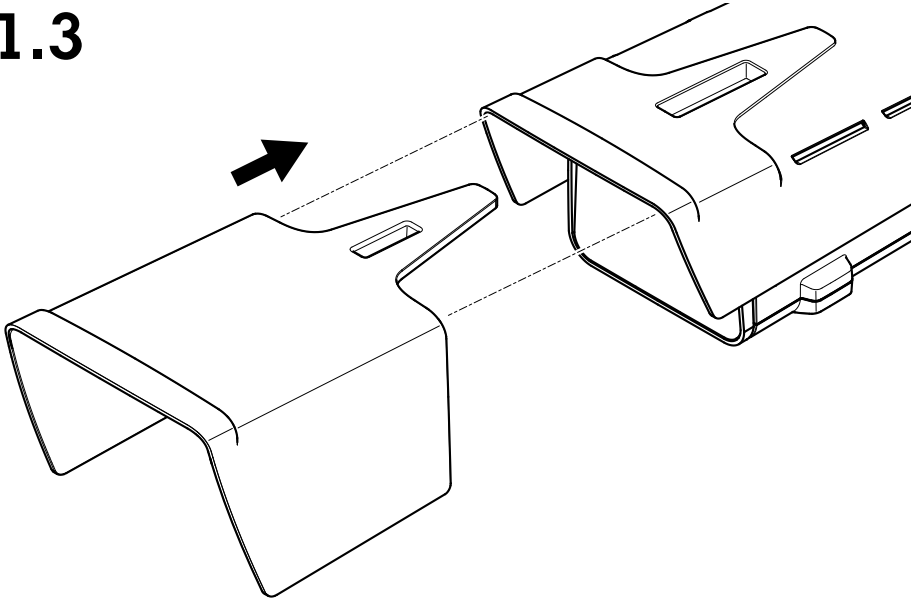
1.1



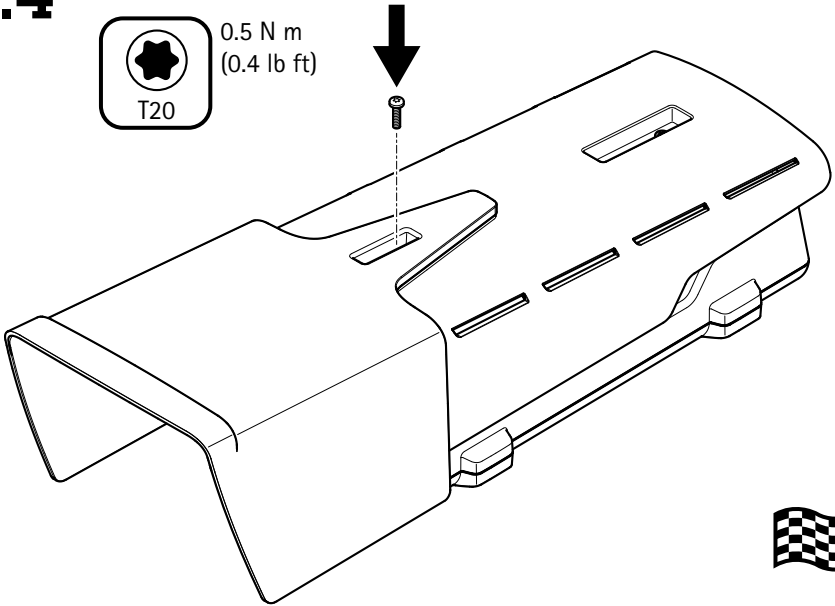
1.2



1.3



1.4





1948464

2019-01 (M2.2)

© 2019 Axis Communications AB