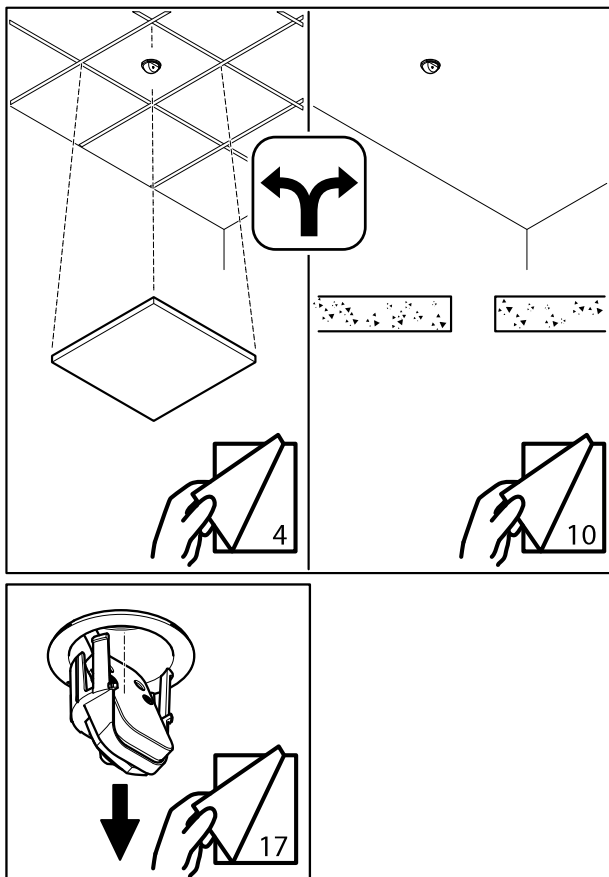


# **AXIS F8225 Pinhole Accessory**

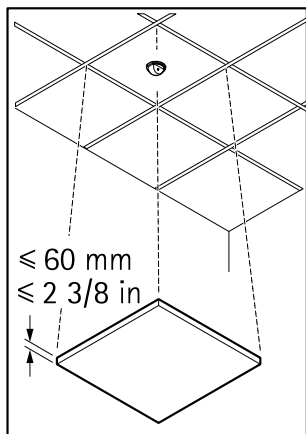
## **Installation Guide**



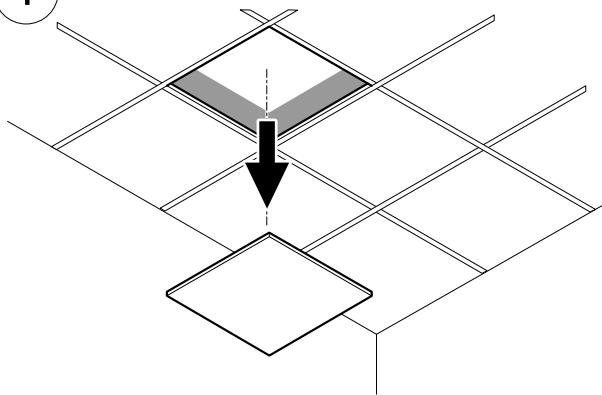


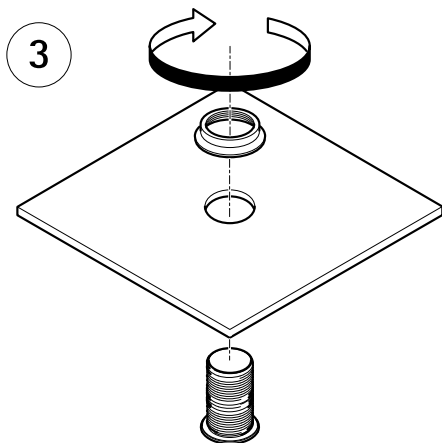
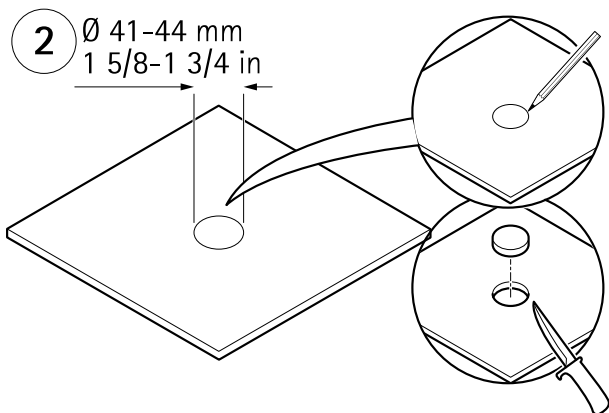
## AXIS F8225 Pinhole Accessory

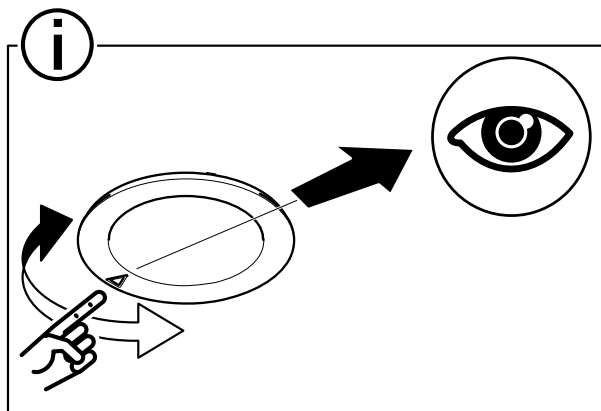
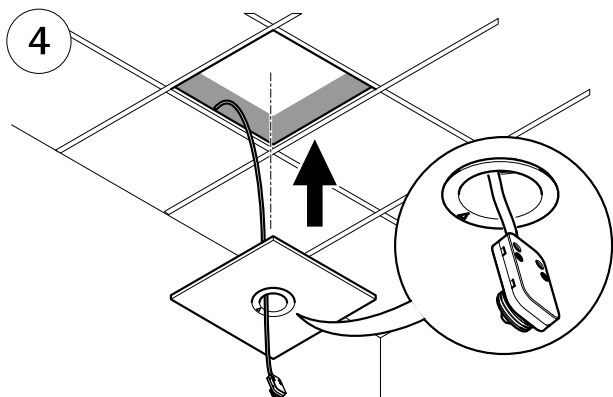
---



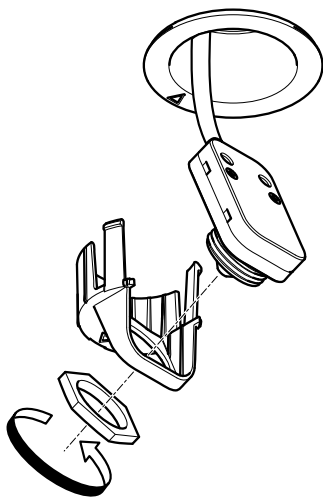
1



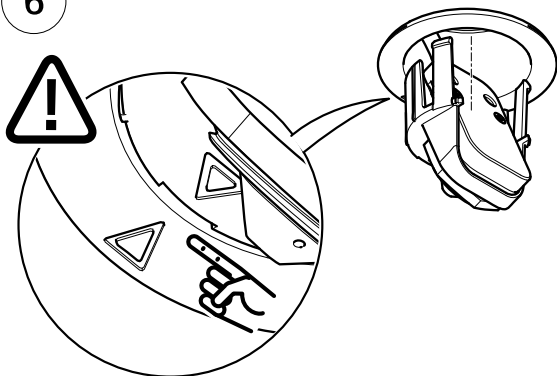




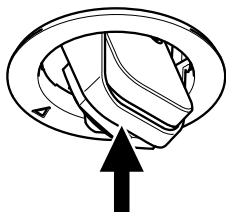
5



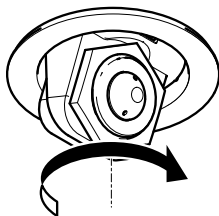
6



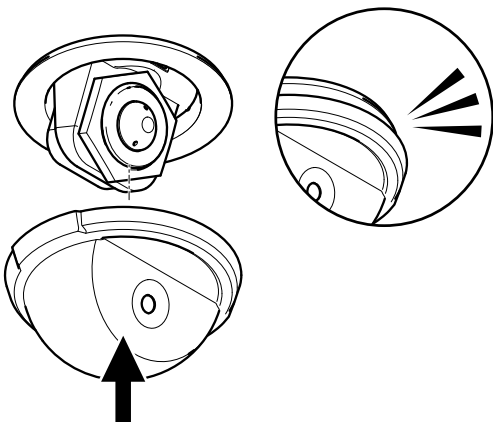
7



8

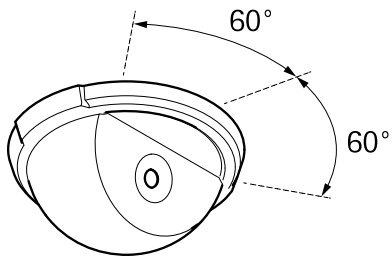


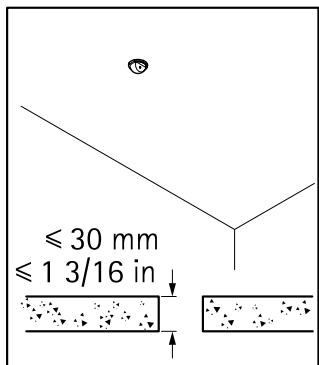
9



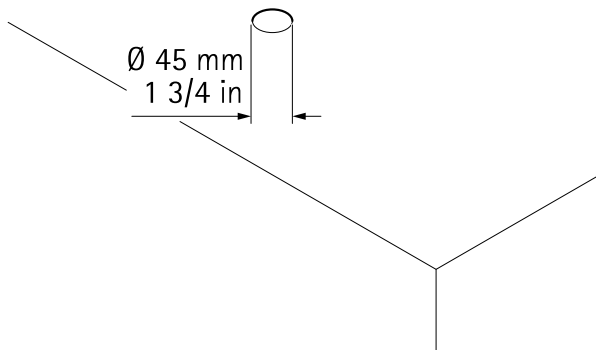


10

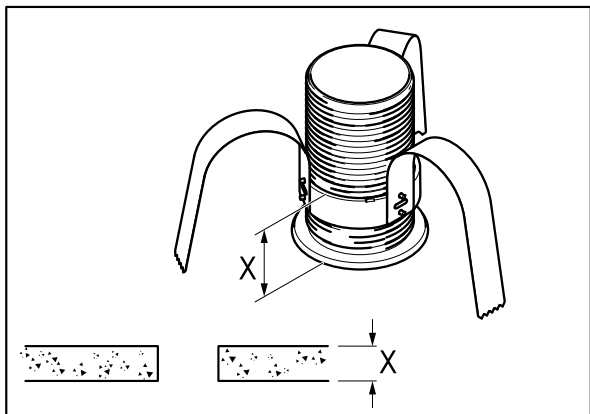
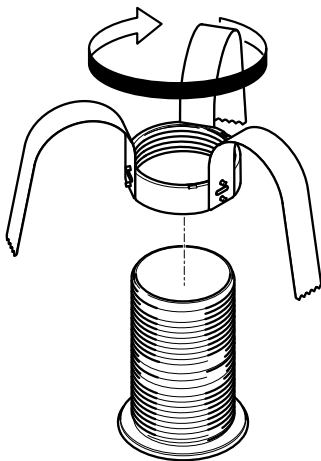




1



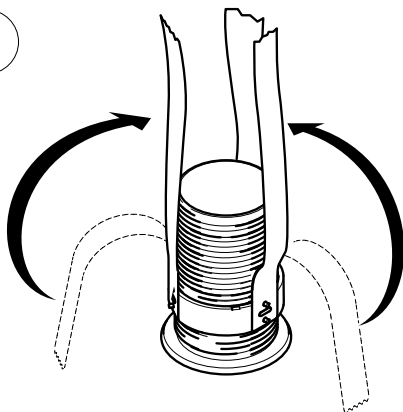
2



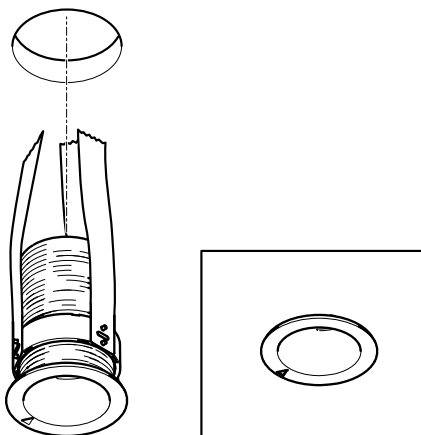
## AXIS F8225 Pinhole Accessory

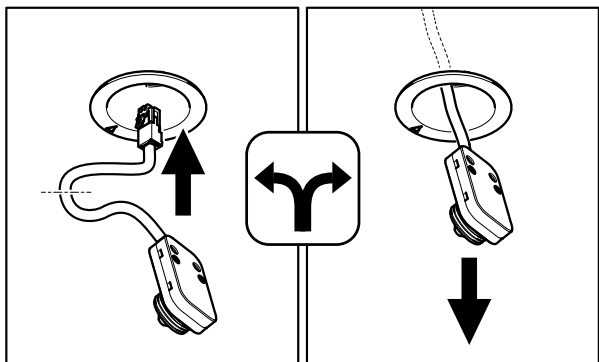
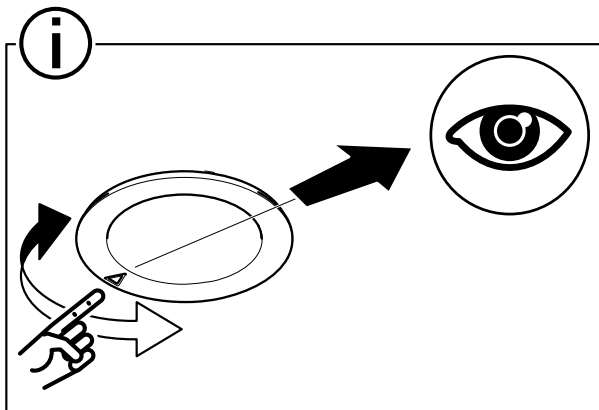
---

3

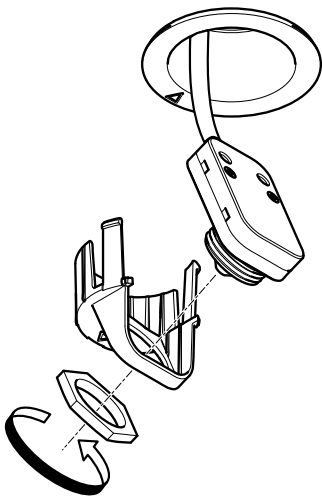


4

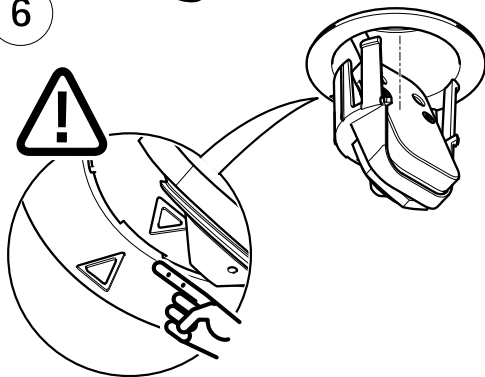




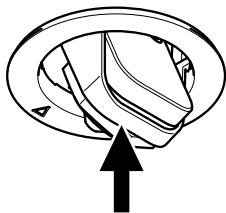
5



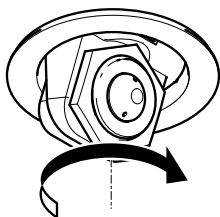
6



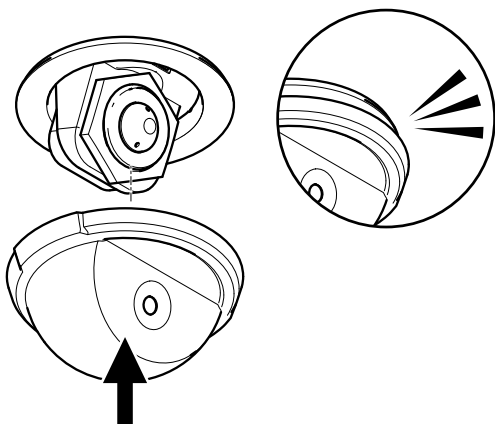
7



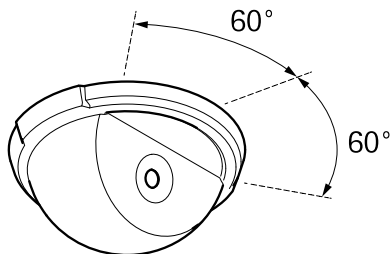
8



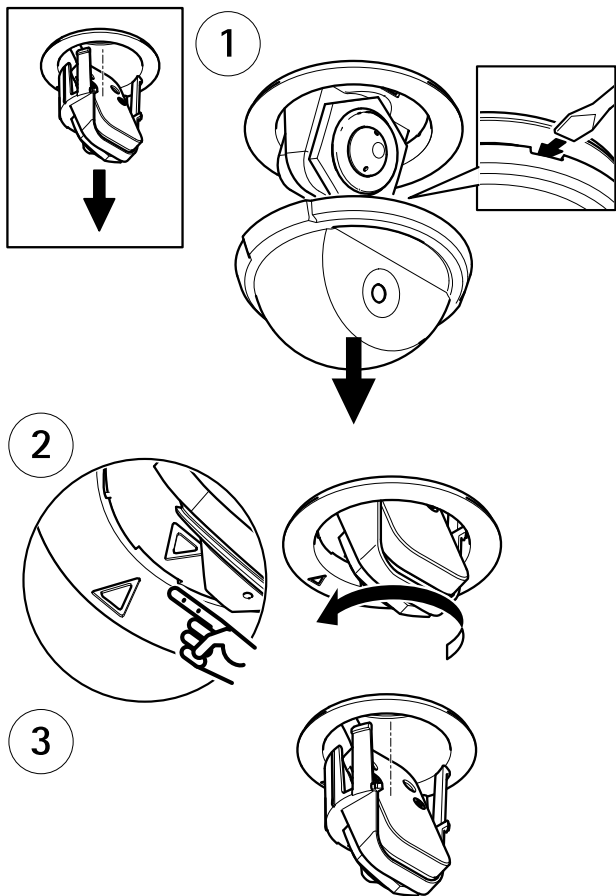
9



10







Installation Guide

AXIS F8225 Pinhole Accessory

© Axis Communications AB, 2015

Ver. M1.2

Date: July 2015

Part No. 1492869