

AXIS Q3517–LV Network Camera

Installation Guide

English

EN

France: Français

FR

Deutschland: Deutsch

DE

Italia: Italiano

IT

España: Español

ES

日本: 日本語

JA

中文: 简体中文

ZH

Read this first

Read through this Installation Guide carefully before installing the product. Keep the Installation Guide for future reference.

Legal considerations

Video and audio surveillance can be regulated by laws that vary from country to country. Check the laws in your local region before using this product for surveillance purposes.

This product includes the following licences:

- one (1) AAC decoder license
- one (1) H.264 decoder license

To purchase further licenses, contact your reseller.

Liability

Every care has been taken in the preparation of this document. Please inform your local Axis office of any inaccuracies or omissions. Axis Communications AB cannot be held responsible for any technical or typographical errors and reserves the right to make changes to the product and manuals without prior notice. Axis Communications AB makes no warranty of any kind with regard to the material contained within this document, including, but not limited to, the implied warranties of merchantability and fitness for a particular purpose. Axis Communications AB shall not be liable nor responsible for incidental or consequential damages in connection with the furnishing, performance or use of this material. This product is only to be used for its intended purpose.

Intellectual property rights

Axis AB has intellectual property rights relating to technology embodied in the product described in this document. In particular, and without limitation, these intellectual property rights may include one or more of the patents listed at www.axis.com/patent.htm and one or more additional patents or pending patent applications in the US and other countries.

This product contains licensed third-party software. See the menu item "About" in the product's user interface for more information.

This product contains source code copyright Apple Computer, Inc., under the terms of Apple Public Source License 2.0 (see www.opensource.apple.com/aps/). The source code is available from <https://developer.apple.com/bonjour/>

Equipment modifications

This equipment must be installed and used in strict accordance with the instructions given in the user documentation. This equipment contains no user-serviceable components. Unauthorized equipment changes or modifications will invalidate all applicable regulatory certifications and approvals.

Trademark acknowledgments

AXIS COMMUNICATIONS, AXIS and VAPIX are registered trademarks or trademark applications of Axis AB in various jurisdictions. All other company names and products are trademarks or registered trademarks of their respective companies.

Apple, Boa, Apache, Bonjour, Ethernet, Internet Explorer, Linux, Microsoft, Mozilla, Real, SMPTE, QuickTime, UNIX, Windows, Windows Vista and WWW are registered trademarks of the respective holders.

Java and all Java-based trademarks and logos are trademarks or registered trademarks of Oracle and/or its affiliates. UPnP™ is a certification mark of the UPnP™ Implementers Corporation.

SD, SDHC and SDXC are trademarks or registered trademarks of SD-3C, LLC in the United States, other countries or both. Also, miniSD, microSD, miniSDHC, microSDHC, microSDXC are all trademarks or registered trademarks of SD-3C, LLC in the United States, other countries or both.

Regulatory information

Europe



This product complies with the applicable CE marking directives and harmonized standards:

- Electromagnetic Compatibility (EMC) Directive 2014/30/EU. See *Electromagnetic compatibility (EMC) on page 4.*
- Low Voltage (LVD) Directive 2014/35/EU. See *Safety on page 5.*
- Restrictions of Hazardous Substances (RoHS) Directive 2011/65/EU. See *Disposal and recycling on page 5.*

A copy of the original declaration of conformity may be obtained from Axis Communications AB. See *Contact information on page 5.*

Electromagnetic compatibility (EMC)

This equipment has been designed and tested to fulfill applicable standards for:

- Radio frequency emission when installed according to the instructions and used in its intended environment.
- Immunity to electrical and electromagnetic phenomena when installed according to the instructions and used in its intended environment.

USA

This equipment has been tested using an unshielded network cable (UTP) and found to comply with the limits for a Class A digital device, pursuant to part 15 of the FCC rules. This equipment has also been tested using a shielded network cable (STP) and found to comply with the limits for a Class A digital device, pursuant to part 15 of the FCC rules. These limits are designed to provide reasonable protection against harmful interference when the equipment is operated in a commercial environment. This equipment generates, uses, and can radiate radio frequency energy and, if not installed and used in accordance with the instruction manual, may cause harmful interference to radio communications. Operation of this equipment in a residential area is likely to cause harmful interference in which case the user will be required to correct the interference at his own expense.

Canada

This digital apparatus complies with CAN ICES-3 (Class A). The product shall be connected using a shielded network cable (STP) that is properly grounded. Cet appareil numérique est conforme à la norme NMB ICES-3 (classe A). Le produit doit être connecté à l'aide d'un câble réseau blindé (STP) qui est correctement mis à la terre.

Europe

This digital equipment fulfills the requirements for RF emission according to the Class A limit of EN 55032.

The product shall be connected using a shielded network cable (STP) that is properly grounded. Notice! This is a Class A product. In a domestic environment this product may cause RF interference, in which case the user may be required to take adequate measures.

This product fulfills the requirements for immunity according to EN 61000-6-1 residential, commercial and light-industrial environments.

This product fulfills the requirements for immunity according to EN 61000-6-2 industrial environments.

This product fulfills the requirements for immunity according to EN 55024 office and commercial environments.

Australia/New Zealand

This digital equipment fulfills the requirements for RF emission according to the Class A limit of AS/NZS CISPR 32. The product shall be connected using a shielded network cable (STP) that is properly grounded. Notice! This is a Class A product. In a domestic environment this product may cause RF interference, in which case the user may be required to take adequate measures.

Japan

この装置は、クラスA 情報技術装置です。この装置を家庭環境で使用すると電波妨害を引き起こすことがあります。この場合には使用者が適切な対策を講ずるよう要求されることがあります。本製品は、シールドネットワークケーブル(STP)を使用して接続してください。また適切に接地してください。

Korea

이 기기는 업무용 환경에서 사용할 목적으로 적당성평가를 받은 기기로서 가정용 환경에서 사용하는 경우 전파간섭의 우려가 있습니다. 적절히 접지된 STP (shielded twisted pair) 케이블을 사용하여 제품을 연결 하십시오.

Safety

This product complies with IEC/EN/UL 60950-1, Safety of Information Technology Equipment.

If its connecting cables are routed outdoors, the product shall be grounded either through a shielded network cable (STP) or other appropriate method.

The power supply used with this product shall fulfill the requirements for Safety Extra Low Voltage (SELV) according to clause 2.2 of IEC/UL 60950-1 and Limited Power Source (LPS) according to clause 2.5 of IEC/UL 60950-1 or CEC/NEC Class 2 source of supply as defined in the Canadian Electrical Code, CSA C22.1 and National Electrical Code, ANSI/NFPA 70.

Disposal and recycling

When this product has reached the end of its useful life, dispose of it according to local laws and regulations. For information about your nearest designated collection point, contact your local authority responsible for waste disposal. In accordance with local legislation, penalties may be applicable for incorrect disposal of this waste.

Europe



■ This symbol means that the product shall not be disposed of together with household or commercial waste. Directive 2012/19/EU on waste electrical

and electronic equipment (WEEE) is applicable in the European Union member states. To prevent potential harm to human health and the environment, the product must be disposed of in an approved and environmentally safe recycling process. For information about your nearest designated collection point, contact your local authority responsible for waste disposal. Businesses should contact the product supplier for information about how to dispose of this product correctly.

This product complies with the requirements of Directive 2011/65/EU and 2015/863 on the restriction of the use of certain hazardous substances in electrical and electronic equipment (RoHS).

China



This product complies with the requirements of SJ/T 11364-2014, Marking for the restriction of hazardous substances in electrical and electronic products.

有毒有害物质或元素						
部件名称	铅 (Pb)	汞 (Hg)	镉 (Cd)	六价铬 (Cr-(VI))	多溴联苯 (PB-B)	多溴二苯醚 (PB-DE)
电气实装部分	X	0	0	0	0	0
0: 表示该有毒有害物质在该部件均质材料中的含量均在GB/T 26572标准规定的限量要求以下。 X: 表示该有毒有害物质至少在该部件的某一均质材料中的含量超出GB/T 26572标准规定的限量要求。						

Contact information

Axis Communications AB
Emdalavägen 14
223 69 Lund
Sweden

Tel: +46 46 272 18 00

Fax: +46 46 13 61 30

www.axis.com

Warranty information

For information about Axis' product warranty and thereto related information, go to www.axis.com/warranty/

Support

Should you require any technical assistance, please contact your Axis reseller. If your questions cannot be

answered immediately, your reseller will forward your queries through the appropriate channels to ensure a rapid response. If you are connected to the Internet, you can:

- download user documentation and software updates
- find answers to resolved problems in the FAQ database. Search by product, category, or phrase
- report problems to Axis support staff by logging in to your private support area
- chat with Axis support staff
- visit Axis Support at www.axis.com/support

Learn more!

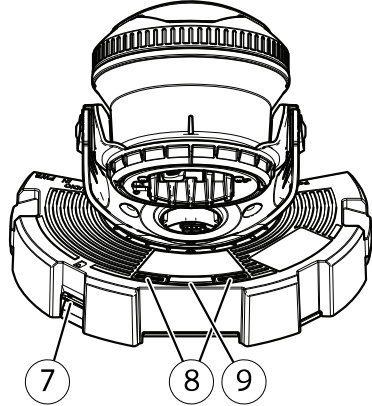
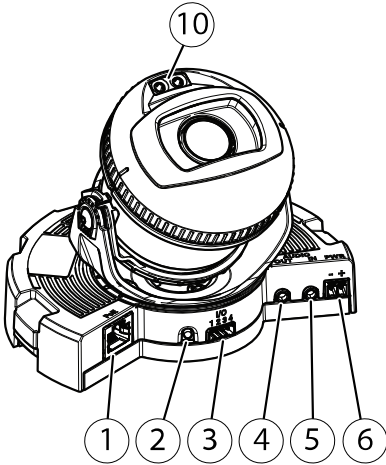
Visit Axis learning center www.axis.com/academy/ for useful trainings, webinars, tutorials and guides.

Package contents

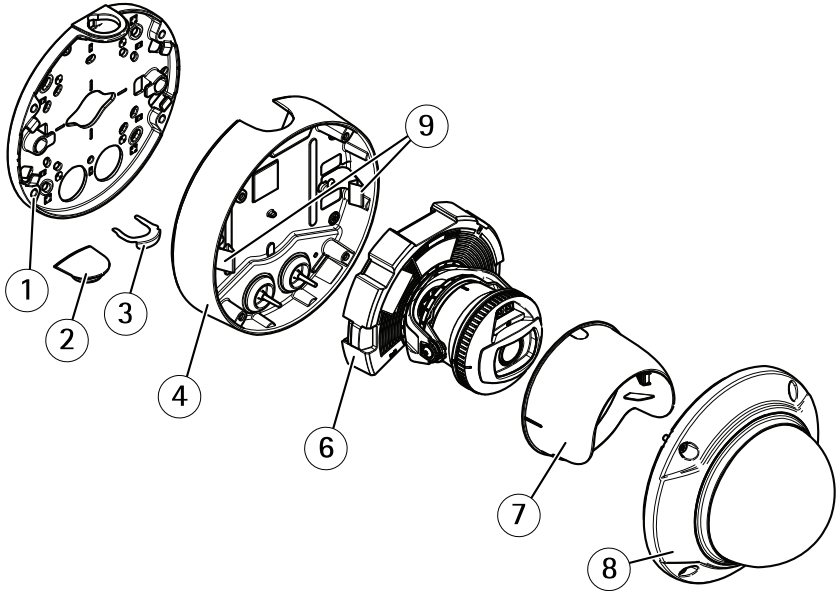
- AXIS Q3517-LV Fixed Dome Network Camera
- Resistorx® L-key TR20
- DC connector
- I/O connector kit
- Extra cable gaskets
 - Cable Gasket M20 5 mm (for cable diameter 5–10 mm)
 - Gasket kit M20 3 mm (for cable diameter 3–5 mm)
- Connector guard
- Printed materials
 - Installation Guide (this document)
 - Drill template
 - Extra serial number label (2x)
 - AVHS Authentication key

AXIS Q3517-LV Network Camera

Product overview

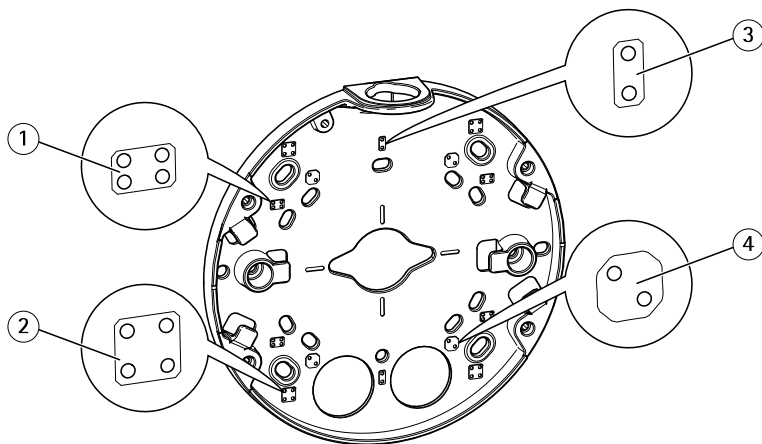


- 1 Network connector
- 2 Control button
- 3 I/O connector
- 4 Audio out
- 5 Audio in
- 6 DC connector
- 7 SD card slot
- 8 Status LED (2x)
- 9 Function button
- 10 IR LED (2x)



- 1 *Mounting bracket*
- 2 *Side lid*
- 3 *Locking clip*
- 4 *Unit casing*
- 5 *Springs*
- 6 *Camera unit*
- 7 *View protector*
- 8 *Dome cover*

Mounting Bracket



- 1 *Standard-sized US double gang junction box*
- 2 *4" square box*
- 3 *Standard-sized US single gang junction box*
- 4 *4" octagon box*

The mounting bracket has 4 standard mounting patterns.

How to install the product

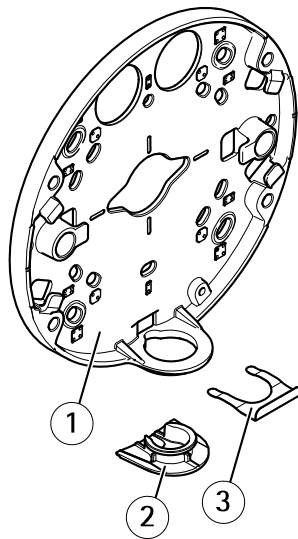
Install the hardware

Route the cables

- If you want to route the cables **along** the wall, see *page 11*.
- If you want to route the cables **through** the wall, see *page 12*.
- If you are attaching a pipe to the mounting bracket, see *page 13*

Route the cables along the wall

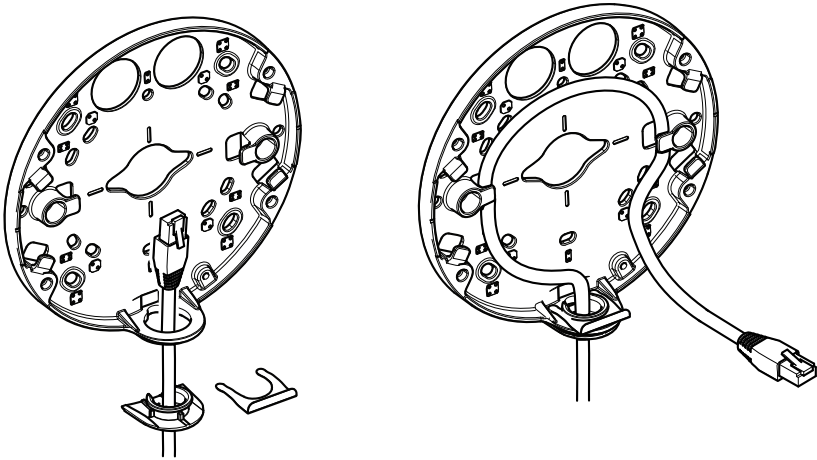
1. Use the drill template to drill four holes for the mounting bracket.
2. Attach the mounting bracket to the wall with appropriate screws.



- 1 *Mounting bracket*
- 2 *Side lid*
- 3 *Locking clip*

3. Remove the locking clip and the side lid.
4. Drill a hole in the side lid for the cable.

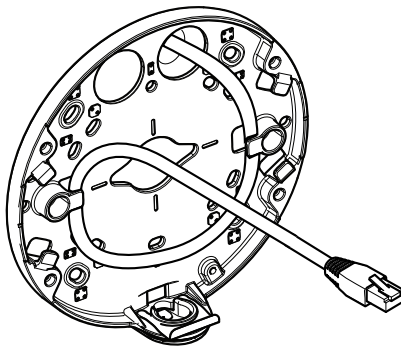
AXIS Q3517-LV Network Camera



5. Route the cable through the hole in the side lid.
6. Attach the side lid to the mounting bracket with the locking clip.
7. Wind the network cable along the grooves on the mounting bracket to keep extra cable length that may be required later.

Route the cables through the wall

1. Use the drill template to drill four holes for the mounting bracket, and one hole for each cable.
2. Attach the mounting bracket to the wall with appropriate screws.



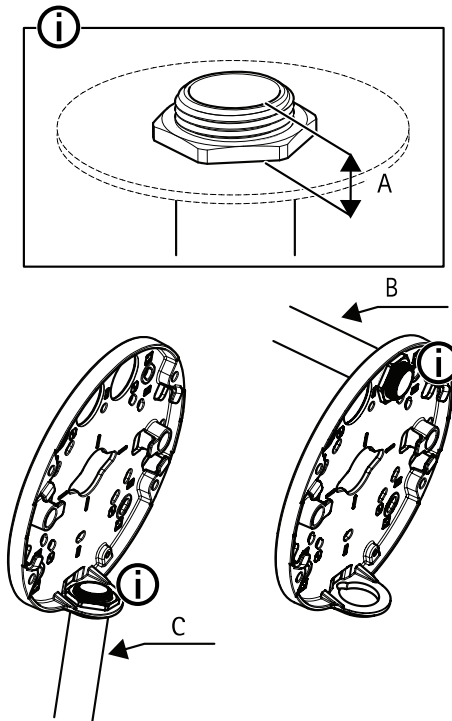
3. Route the network cable through the wall and the mounting bracket.

4. Wind the network cable along the grooves on the mounting bracket to keep extra cable length that may be required later.

Route the cables through a pipe

EN

1. Use the drill template to drill four holes for the mounting bracket, and one hole for the pipe if it is attach through the back of the mounting bracket.
2. Attach the mounting bracket to the wall with appropriate screws.



A Maximum 8 mm

B 3/4" pipe

C 1/2" pipe

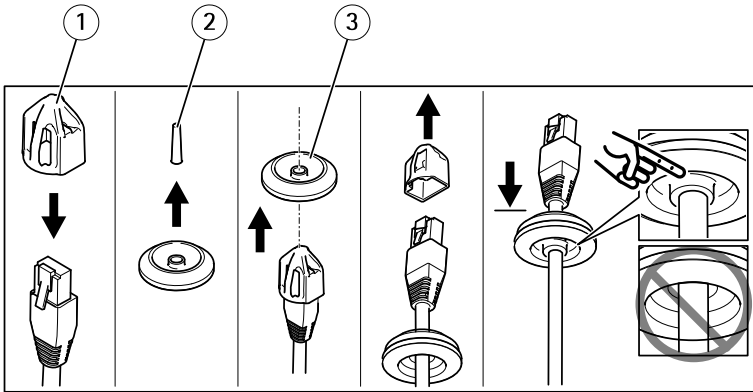
3. Attach the pipe with the lock nut using Loctite® threadlocker between the nut and the threads on the pipe.
4. Check that distance A is within limits.
5. Route the cable through the pipe.

AXIS Q3517-LV Network Camera

6. Wind the network cable along the grooves on the mounting bracket to keep extra cable length that may be required later.

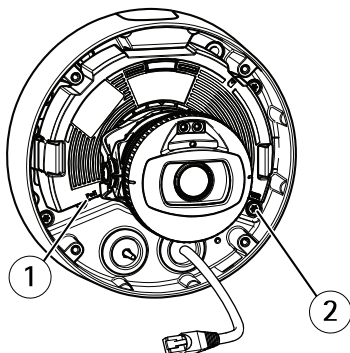
Connect the cables and attach the unit casing to the mounting bracket

1. Insert an SD card in the camera unit (optional).



- 1 Connector guard
- 2 Tab
- 3 Cable gasket

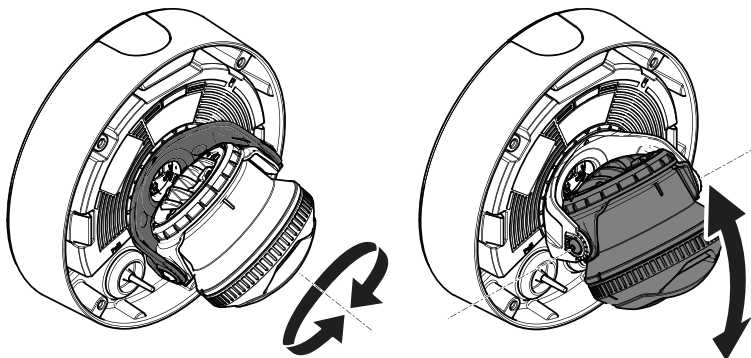
2. Attach the provided connector guard to the network cable.
3. Pull the tab from the cable gasket farthest from the network connector in the camera unit.
4. Push the network cable through the cable gasket .
5. Remove the connector guard from the network cable.
6. Route the network cable through the cable gasket.
7. Pull the network cable back slightly so that the cable gasket adjusts itself on the cable.



- 1 Network connector
- 2 Tamper-proof screw

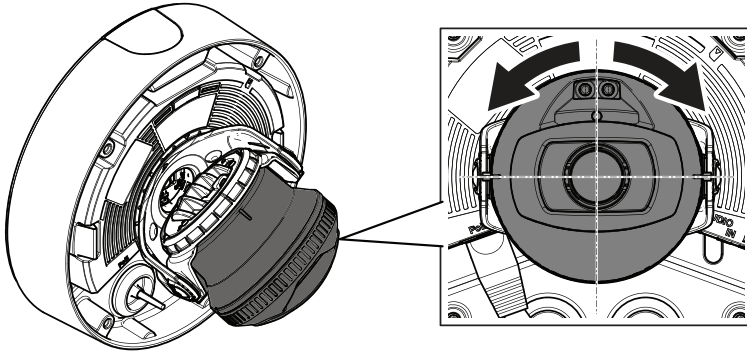
8. Attach the unit casing to the mounting bracket by tightening the four tamper-proof screws with a Resistorx® key TR20.
9. Connect the network cable to the camera unit.
10. Pull the springs aside in the unit casing and attach the camera unit to the unit casing.

Adjust the camera angle

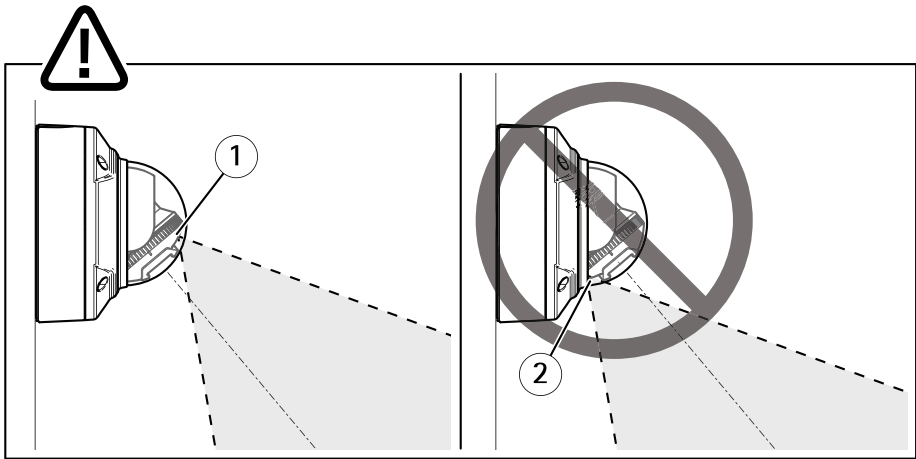


1. Pan and tilt the camera to adjust the angle. The camera can pan 360° and tilt from -80° to 80°.

AXIS Q3517-LV Network Camera



2. Rotate the camera to adjust the angle. The camera can rotate $\pm 175^\circ$.

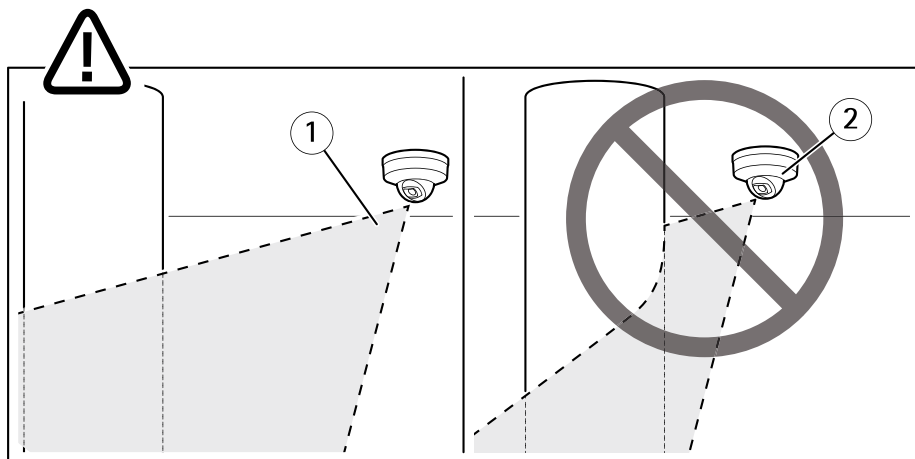


- 1 IR LED's correctly positioned.
- 2 IR LED's blocked by dome cover.

3. Put the dome cover over the camera without attaching the screws.
4. Check that the IR LED's are not blocked by the dome cover.

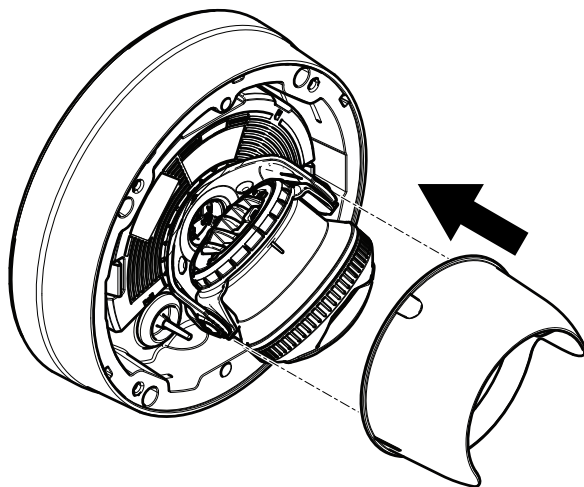
Note

It is important to position the camera at an angle so the light from the IR LED's does not reflect back to the camera.



- 1 IR LED's not illuminating nearby reflecting surface.
- 2 Camera positioned too close to reflecting surface.

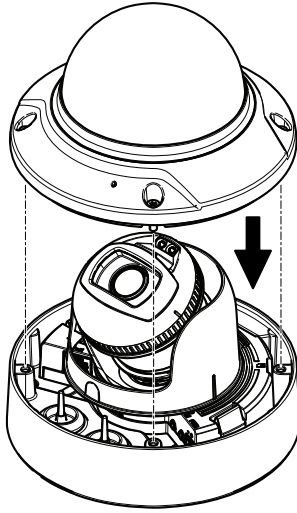
Attach the view protector



1. Attach the view protector to the camera unit.
2. Remove the view protector by pressing down on top and bottom.

AXIS Q3517-LV Network Camera

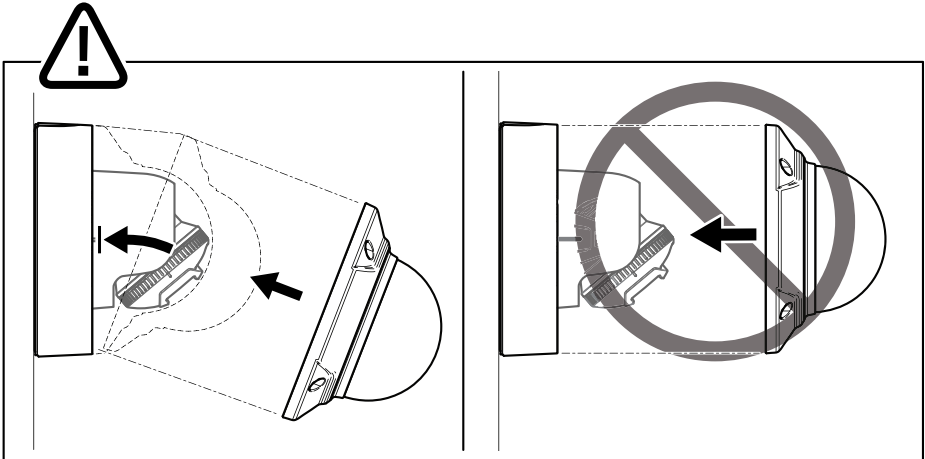
Attach the dome cover



1. Attach the dome cover to the unit casing with the Resistorx® key TR20.

Note

Attach the dome cover at an angle to keep the position of the camera lens.



2. Remove the protective film from the dome cover.

How to access the product

AXIS IP Utility and AXIS Camera Management are recommended methods for finding Axis products on the network and assigning them IP addresses in Windows®. Both applications are free and can be downloaded from www.axis.com/support

The product can be used with most operating systems and browsers. We recommend the following browsers:

- Internet Explorer® with Windows®
- Safari® with OS X®
- Chrome™ or Firefox® with other operating systems.

For more information about using the product, see the User Manual available at www.axis.com

How to adjust focus and zoom

1. Go to the **Image** tab in the product's webpage.
2. Click **Autofocus**.
3. Click **Autofocus**.

How to reset to factory default settings

Important

Reset to factory default should be used with caution. A reset to factory default resets all settings, including the IP address, to the factory default values.

To reset the product to the factory default settings:

1. Disconnect power from the product.
2. Press and hold the control button while reconnecting power. See *Product overview on page 8*.
3. Keep the control button pressed for 15–30 seconds until the status LED indicator flashes amber.
4. Release the control button. The process is complete when the status LED indicator turns green. The product has been reset to the factory default settings. If no DHCP server is available on the network, the default IP address is 192.168.0.90
5. Use the installation and management software tools to assign an IP address, set the password, and access the video stream.

The installation and management software tools are available from the support pages on www.axis.com/support

Further information

- For the latest version of this document, see www.axis.com
- The user manual is available at www.axis.com
- To check if there is updated firmware available for your product, see www.axis.com/support
- For useful online trainings and webinars, see www.axis.com/academy

Optional accessories

For a complete list of available accessories for this product, go to www.axis.com

AXIS Q3517–LV Network Camera

Technical specifications

To find the latest version of the datasheet, go to www.axis.com > product > Support & Documentation.

LED Indicators

Note

- The Status LED can be configured to flash while an event is active.

Status LED	Indication
Unlit	Connection and normal operation.
Green	Shows steady green for 10 seconds for normal operation after startup completed.
Amber	Steady during startup. Flashes during firmware upgrade or reset to factory default.
Amber/Red	Flashes amber/red if network connection is unavailable or lost.

Status LED behavior and buzzer signal for leveling assistant

For information on the function button used for leveling the image, see *page 23*.

Color	Buzzer	Camera position
Fixed green	Continuous beep	Level
Flashing green	Fast beeps	Almost level
Flashing orange	Medium beeps	Not level
Flashing red	Slow beeps	Far from level

SD card slot

NOTICE

- Risk of damage to SD card. Do not use sharp tools, metal objects, or excessive force when inserting or removing the SD card. Use your fingers to insert and remove the card.
- Risk of data loss and corrupted recordings. Do not remove the SD card while the product is running. Disconnect power or unmount the SD card from the product's webpage before removal.

This product supports microSD/microSDHC/microSDXC cards (not included).

For SD card recommendations, see www.axis.com

Buttons

Control button

For location of the control button, see *Product overview on page 8*.

The control button is used for:

- Resetting the product to factory default settings. See *page 20*.
- Connecting to an AXIS Video Hosting System service or AXIS Internet Dynamic DNS Service. For more information about these services, see *www.axis.com*.

Function Button

The function button has multiple functions:

- **As leveling Assistant** – This function helps to ensure the image is level. Press the button for about 2 seconds to start the leveling assistant and press again to stop. The status LED (see) and buzzer signal assist leveling of the image. The image is level when the buzzer beeps continuously.
- **To view the Status LED** – Press the button once to light up the Status LEDs. Press again to turn them off. The LEDs will turn off automatically after 10 seconds.

Connectors

Network connector

RJ45 Ethernet connector with Power over Ethernet (PoE).

NOTICE

Due to local regulations or the environmental and electrical conditions in which the product is to be used, a shielded network cable (STP) may be appropriate or required. All cables connecting the product to the network and that are routed outdoors or in demanding electrical environments shall be intended for their specific use. Make sure that the network devices are installed in accordance with the manufacturer's instructions. For information about regulatory requirements, see *Electromagnetic compatibility (EMC) on page 4*.

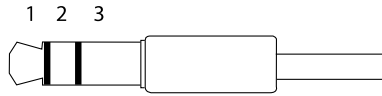
Audio connector

The Axis product has the following audio connectors:

- **Audio in (pink)** – 3.5 mm input for a mono microphone, or a line-in mono signal.
- **Audio out (green)** – 3.5 mm output for audio (line level) that can be connected to a public address (PA) system or an active speaker with a built-in amplifier. It is recommended to use a stereo connector for audio out.

AXIS Q3517-LV Network Camera

3.5 mm audio connectors (stereo)



	1 Tip	2 Ring	3 Sleeve
Audio Input	Microphone/Line in	Microphone bias voltage	Ground
Audio Output	Line out, mono	Line out, mono	Ground

I/O connectors

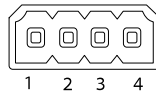
Use the I/O connector with external devices in combination with, for example, tampering alarms, motion detection, event triggering, and alarm notifications. In addition to the 0 V DC reference point and power (DC output), the I/O connector provides the interface to:

Digital output – For connecting external devices such as relays and LEDs. Connected devices can be activated by the VAPIX® Application Programming Interface or in the product’s webpage.

Digital input – For connecting devices that can toggle between an open and closed circuit, for example PIR sensors, door/window contacts, and glass break detectors.

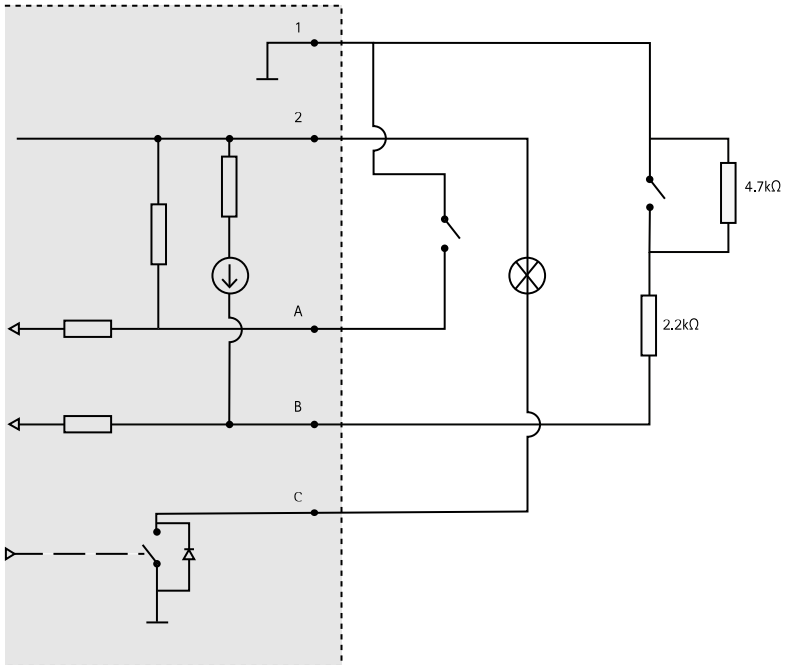
Supervised input – Enables possibility to detect tampering on a digital input.

4-pin terminal block



Function	Pin	Notes	Specifications
0 V DC (-)	1	DC ground	0 V DC
DC output	2	Can be used to power auxiliary equipment. Note: This pin can only be used as power out.	12 V DC Max load = 50 mA

Configurable (Input or Output)	3-4	Digital input – Connect to pin 1 to activate, or leave floating (unconnected) to deactivate.	0 to max 30 V DC
		Digital output – Connected to pin 1 when activated, floating (unconnected) when deactivated. If used with an inductive load, e.g. a relay, a diode must be connected in parallel with the load, for protection against voltage transients.	0 to max 30 V DC, open drain, 100 mA
		Supervised input – To use supervised input install end of line resistors. See connection diagram for information about how to connect the resistors.	0 to max 30 V DC

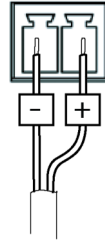


- 1 0 VDC (-)
- 2 DC output 12 V, max 50 mA
- A I/O configured as input
- B I/O configured as supervised input
- C I/O configured as output

AXIS Q3517-LV Network Camera

Power connector

2-pin terminal block for DC power input. Use a Safety Extra Low Voltage (SELV) compliant limited power source (LPS) with either a rated output power limited to ≤ 100 W or a rated output current limited to ≤ 5 A.



Operating conditions

The Axis product is intended for indoor use.

Product	Classification	Temperature	Humidity
AXIS Q3517-LV	IEC 60529 IP52	-10 °C to 60 °C (14 °F to 122 °F)	10–85% RH

Power consumption

Product	Power over Ethernet (PoE)	DC
AXIS Q3517-LV	IEEE 802.3af/802.3at Type 1, Class 3 Typical 6.5 W Max 12.9 W	Typical 6.9 W Max 14.5 W

Safety information

Hazard levels

▲DANGER

Indicates a hazardous situation which, if not avoided, will result in death or serious injury.

▲WARNING

Indicates a hazardous situation which, if not avoided, could result in death or serious injury.

▲CAUTION

Indicates a hazardous situation which, if not avoided, could result in minor or moderate injury.

NOTICE

Indicates a situation which, if not avoided, could result in damage to property.

Other message levels

Important

Indicates significant information which is essential for the product to function correctly.

Note

Indicates useful information which helps in getting the most out of the product.

AXIS Q3517–LV Network Camera

Safety instructions

NOTICE

- The Axis product shall be used in compliance with local laws and regulations.
- Axis recommends using a shielded network cable (STP) CAT5 or higher.
- To use the Axis product outdoors, or in similar environments, it shall be installed in an approved outdoor housing.
- Store the Axis product in a dry and ventilated environment.
- Avoid exposing the Axis product to shocks or heavy pressure.
- Do not install the product on unstable poles, brackets, surfaces or walls.
- Use only applicable tools when installing the Axis product. Using excessive force with power tools could cause damage to the product.
- Do not use chemicals, caustic agents, or aerosol cleaners.
- Use a clean cloth dampened with pure water for cleaning.
- Use only accessories that comply with the technical specification of your product. These can be provided by Axis or a third party. Axis recommends using Axis power source equipment compatible with your product.
- Use only spare parts provided by or recommended by Axis.
- Do not attempt to repair the product yourself. Contact Axis support or your Axis reseller for service matters.

Transportation

NOTICE

- When transporting the Axis product, use the original packaging or equivalent to prevent damage to the product.

Battery

The Axis product uses a 3.0 V CR2032 lithium battery as the power supply for its internal real-time clock (RTC). Under normal conditions this battery will last for a minimum of five years.

Low battery power affects the operation of the RTC, causing it to reset at every power-up. When the battery needs replacing, a log message will appear in the product's server report. For more information about the server report, see the product's setup pages or contact Axis support.

The battery should not be replaced unless required, but if the battery does need replacing, contact Axis support at www.axis.com/support for assistance.

Lithium coin cell 3.0 V batteries contain 1,2-dimethoxyethane; ethylene glycol dimethyl ether (EGDME), CAS no. 110-71-4.

⚠WARNING

- Risk of explosion if the battery is incorrectly replaced.
- Replace only with an identical battery or a battery which is recommended by Axis.
- Dispose of used batteries according to local regulations or the battery manufacturer's instructions.

Dome cover

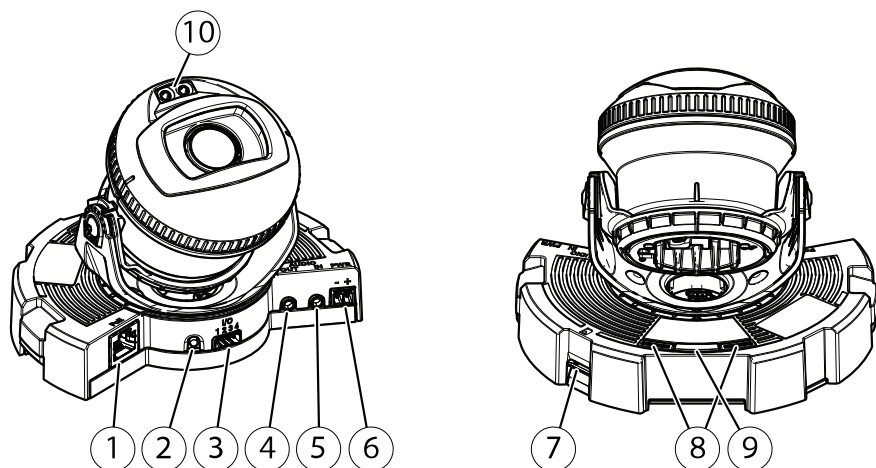
NOTICE

- Be careful not to scratch, damage or leave fingerprints on the dome cover because this could decrease image quality. If possible, keep the protective plastic on the dome cover until the installation is complete.
- Do not clean a dome cover that looks clean to the eye and never polish the surface. Excessive cleaning could damage the surface.
- For general cleaning of the dome cover it is recommended to use a non-abrasive, solvent-free neutral soap or detergent mixed with pure water and a soft, clean cloth. Rinse well with pure lukewarm water. Dry with a soft, clean cloth to prevent water spotting.
- Never use harsh detergents, gasoline, benzene or acetone etc. and avoid cleaning the dome cover in direct sunlight or at elevated temperatures.

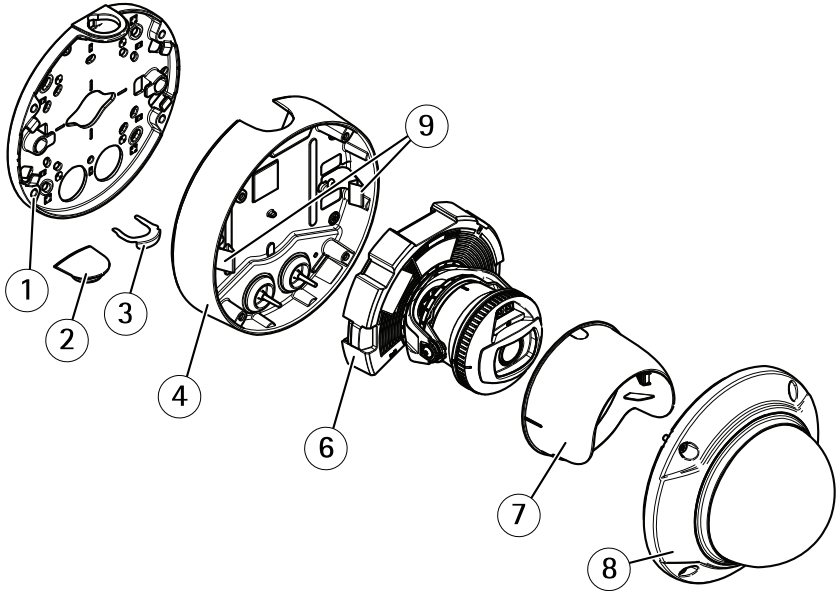
Contenu de l'emballage

- Caméra réseau à dôme fixe AXIS Q3517-LV
- Clé Resitorx® TR20
- Connecteur CC
- Kit connecteur E/S
- Joints de câble supplémentaires
 - Joint de câble M20 5 mm (pour diamètre de câble 5–10 mm)
 - Kit de joint M20 3 mm (pour diamètre de câble 3–5 mm)
- Protection du connecteur
- Documents imprimés
 - Guide d'installation (ce document)
 - Gabarit de perçage
 - Étiquette supplémentaire de numéro de série (x2)
 - Clé d'authentification AVHS

Vue d'ensemble du produit

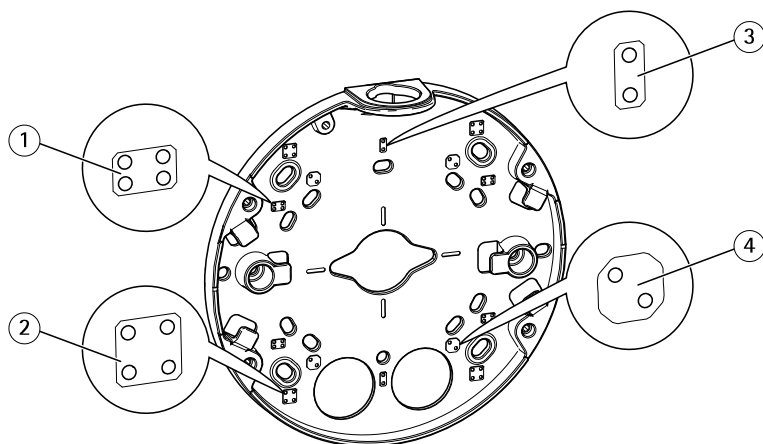


- 1 *Connecteur réseau*
- 2 *Bouton de commande*
- 3 *Connecteur E/S*
- 4 *Sortie audio*
- 5 *Entrée audio*
- 6 *Connecteur CC*
- 7 *Emplacement pour carte SD*
- 8 *Voyant d'état (2x)*
- 9 *Bouton Fonction*
- 10 *Éclairage IR (2x)*



- 1 Support de fixation
- 2 Couvercle latéral
- 3 Clip de verrouillage
- 4 Boîtier de l'unité
- 5 Ressorts
- 6 Caméra
- 7 Protection d'objectif
- 8 Couvercle de dôme

Support de fixation



- 1 Boîtier de jonction américain double de taille normale
- 2 Boîtier carré de 4 po
- 3 Boîtier de jonction américain simple de taille normale
- 4 Boîtier octogonal de 4 po

Le support de fixation dispose de 4 configurations de montage standard.

Comment installer le produit

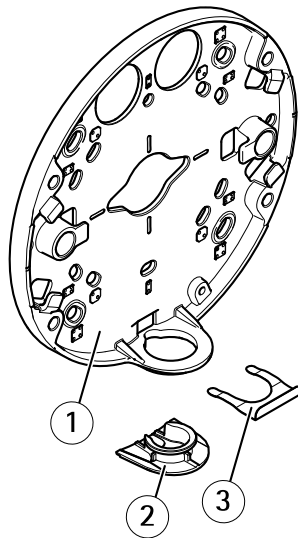
Installation du matériel

Acheminement des câbles

- Si vous souhaitez acheminer les câbles le long du mur, consultez *page 35*.
- Si vous souhaitez acheminer les câbles à travers le mur, consultez *page 36*.
- Si vous fixez un tuyau sur le support de fixation, consultez *page 37*

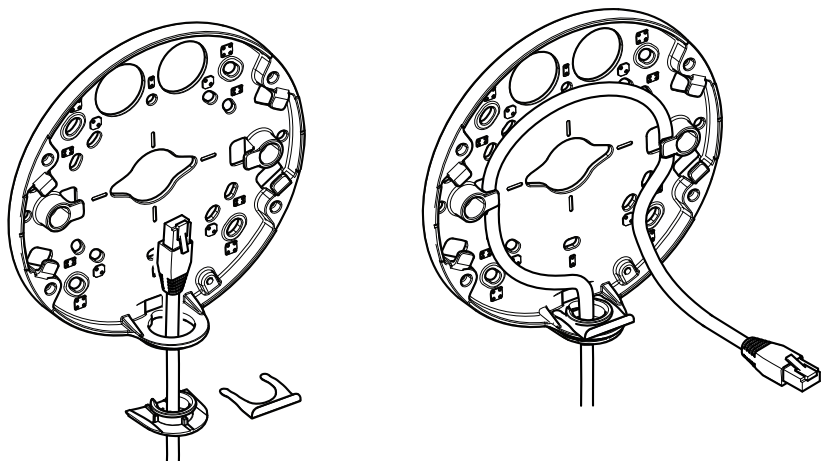
Acheminement des câbles le long du mur

1. Utilisez le gabarit de perçage pour percer quatre trous pour le support de montage.
2. Fixez le support au mur en utilisant des vis appropriées.



- 1 Support de fixation
- 2 Couvercle latéral
- 3 Clip de verrouillage

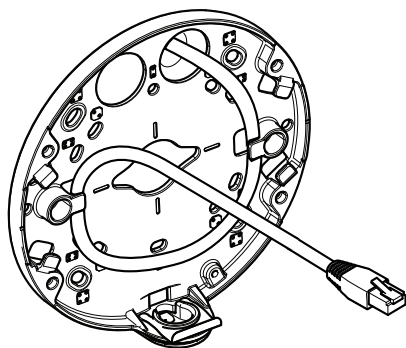
3. Retirez le clip de verrouillage et le couvercle latéral.
4. Percez un trou dans le couvercle latéral pour le câble.



5. Acheminez le câble dans le trou du couvercle latéral.
6. Fixez le couvercle latéral au support de fixation à l'aide du clip de verrouillage.
7. Enroulez le câble réseau le long des rainures du support de fixation, pour conserver de la longueur supplémentaire, qui pourra servir par la suite.

Acheminement des câbles à travers le mur

1. Utilisez le gabarit de perçage pour percer quatre trous pour le support de montage et un trou pour chaque câble.
2. Fixez le support au mur en utilisant des vis appropriées.



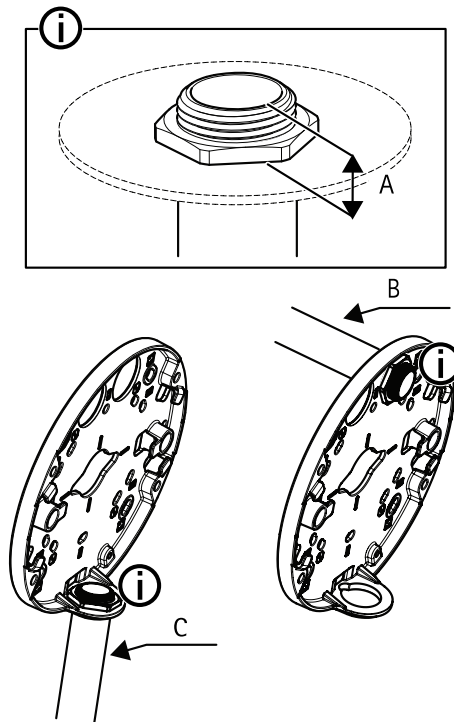
3. Acheminez le câble réseau en le faisant passer au travers le mur et le support de montage.

4. Enroulez le câble réseau le long des rainures du support de fixation, pour conserver de la longueur supplémentaire, qui pourra servir par la suite.

Acheminement des câbles à travers un tuyau

1. Utilisez le gabarit de perçage pour percer quatre trous pour le support de montage et un trou pour le tuyau s'il est fixé à l'arrière du support de montage.
2. Fixez le support au mur en utilisant des vis appropriées.

FR



A 8 mm maximum

B Tuyau 3/4"

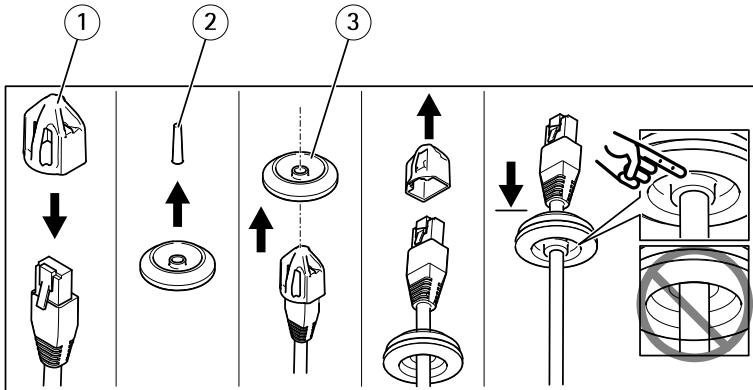
C Tuyau 1/2"

3. Fixez le tuyau avec l'écrou de blocage en utilisant un frein filet Loctite® entre l'écrou et les filetages du tuyau.
4. Vérifiez que la distance A se trouve dans les limites spécifiées.
5. Acheminez le câble réseau dans le tuyau.

6. Enroulez le câble réseau le long des rainures du support de fixation, pour conserver de la longueur supplémentaire, qui pourra servir par la suite.

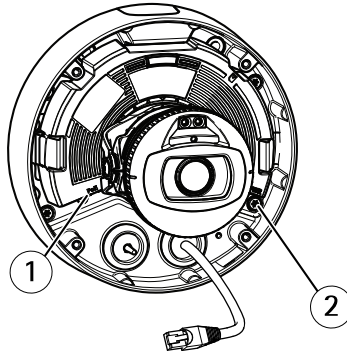
Connexion des câbles et fixation du boîtier de l'unité au support de fixation

1. Insérez une carte SD dans la caméra (en option).



- 1 *Protection du connecteur*
- 2 *Patte*
- 3 *Joint de câble*

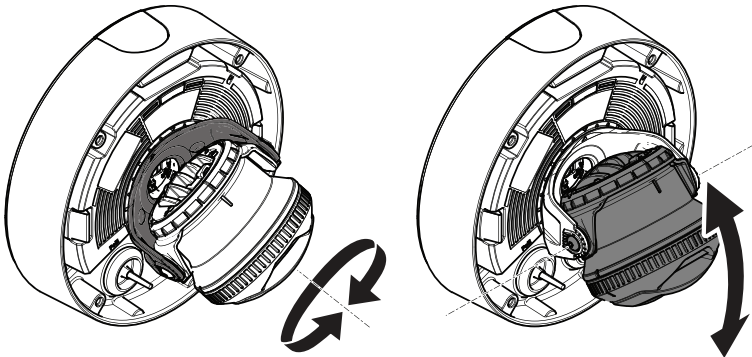
2. Fixez la protection du connecteur fournie au câble réseau.
3. Tirez la patte du joint de câble à travers le trou le plus éloigné du connecteur réseau dans la caméra.
4. Faites passer le câble réseau à travers le joint de câble.
5. Déposez la protection du connecteur du câble réseau.
6. Acheminez le câble réseau à travers le joint de câble.
7. Tirez légèrement sur le câble réseau pour que le joint s'ajuste dessus.



- 1 *Connecteur réseau*
- 2 *Vis inviolable*

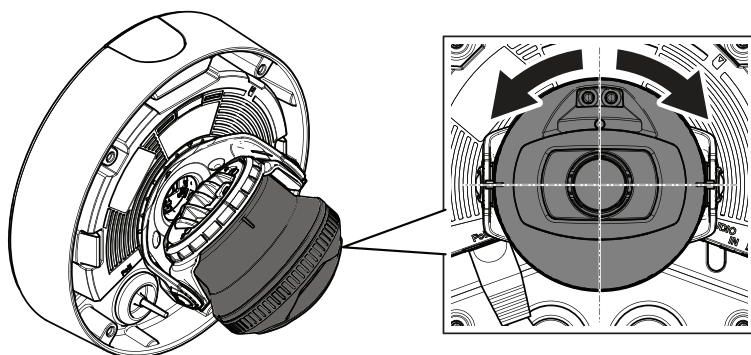
8. Fixez le boîtier de l'unité au support en serrant les 4 vis inviolables à l'aide d'une clé Resitorx® TR20.
9. Connectez le câble réseau à la caméra.
10. Écartez les ressorts du boîtier de l'unité et fixez la caméra au boîtier.

Réglage de l'angle de la caméra

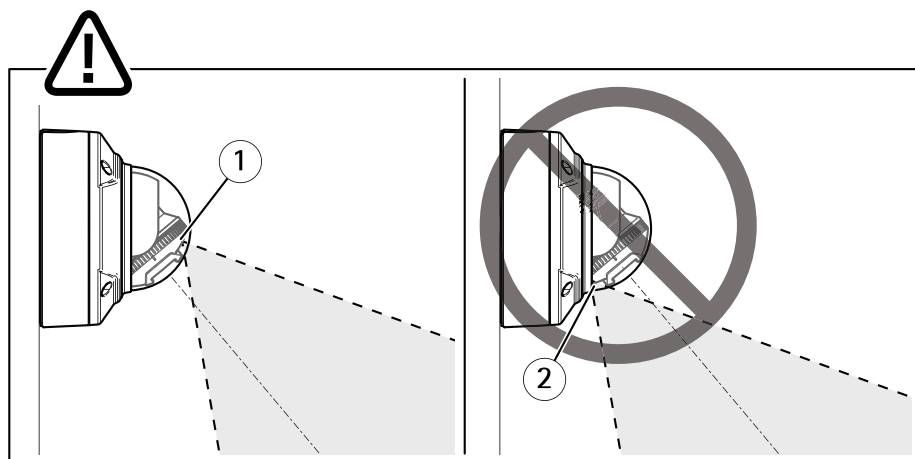


1. Faites un panoramique et inclinez la caméra pour ajuster l'angle. La caméra peut faire un panoramique à 360° et s'incliner de -80° à 80°.

AXIS Q3517-LV Network Camera



2. Pivotez la caméra pour ajuster l'angle. La caméra peut pivoter à $\pm 175^\circ$.

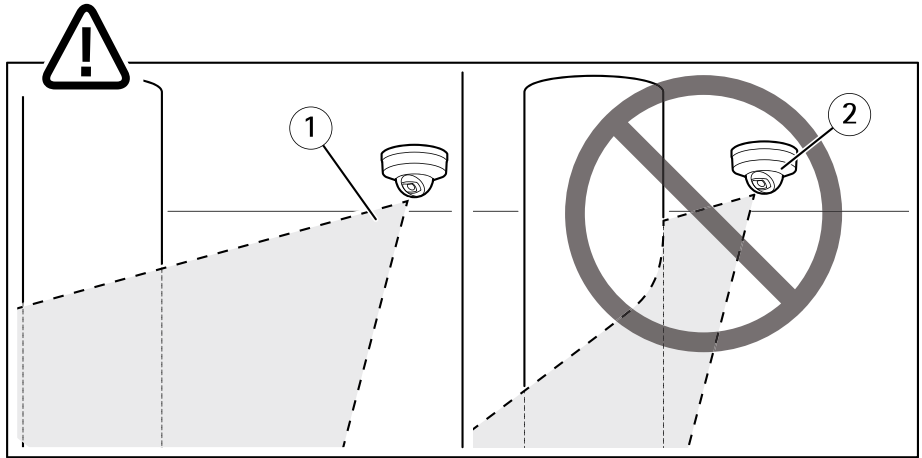


- 1 Éclairage IR correctement positionné.
- 2 Éclairage IR bloqué par le couvercle de dôme.

3. Placez le couvercle de dôme au-dessus de la caméra sans fixer les vis.
4. Vérifiez que l'éclairage IR n'est pas bloqué par le couvercle de dôme.

Note

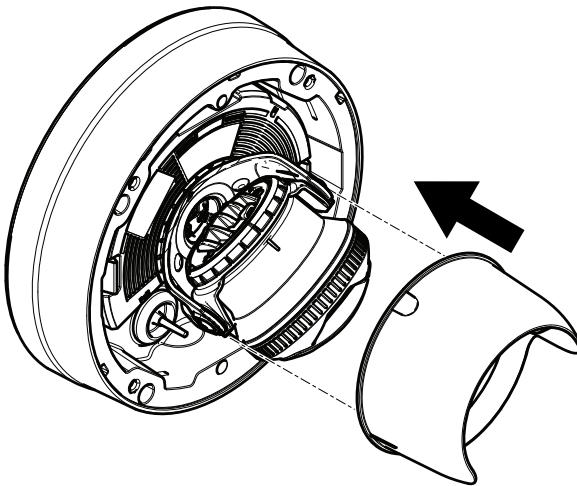
Il est important de positionner la caméra à l'oblique de sorte que la lumière venant de l'éclairage IR ne réfléchisse pas sur la caméra.



FR

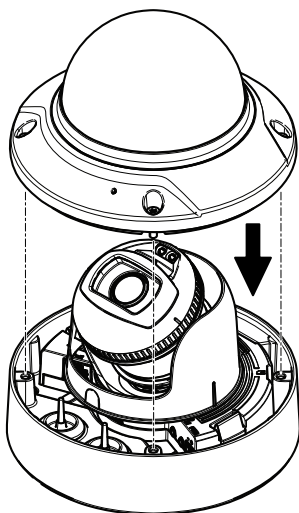
- 1 L'éclairage IR n'éclaire pas la surface réfléchissante à proximité.
- 2 Caméra positionnée trop près de la surface réfléchissante.

Fixation de la protection d'objectif



1. Fixez la protection d'objectif sur la caméra.
2. Retirez la protection d'objectif en appuyant vers le bas le haut et le bas.

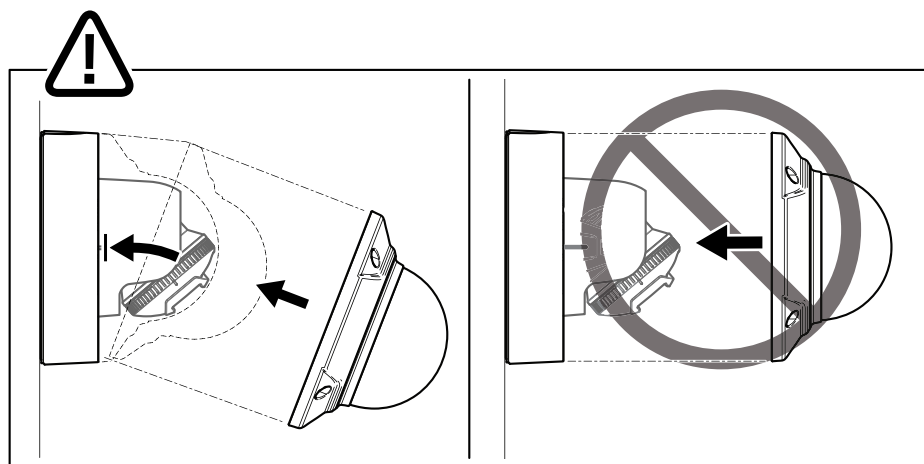
Fixation du couvercle du dôme



1. Fixez le couvercle du dôme sur le boîtier de l'unité à l'aide de la clé Resistorx® TR20.

Note

Fixez le couvercle du dôme à l'oblique pour garder la position de l'objectif de la caméra.



2. Retirez le film protecteur du couvercle de dôme.

Comment accéder au produit

Si vous souhaitez rechercher des produits Axis sur le réseau ou leur affecter des adresses IP sous Windows®, nous recommandons l'utilisation des applications AXIS IP Utility et AXIS Camera Management. Ces deux applications sont gratuites et peuvent être téléchargées depuis www.axis.com/support

FR

Le produit peut être utilisé avec la plupart des systèmes d'exploitation et des navigateurs. Nous recommandons les navigateurs suivants :

- Internet Explorer® avec Windows®,
- Safari® avec OS X®
- Chrome™ ou Firefox® avec les autres systèmes d'exploitation.

Pour plus d'informations concernant l'utilisation du produit, consultez le manuel de l'utilisateur disponible sur le site www.axis.com

Réglage de la mise au point et du zoom

1. Accédez à l'onglet Image de la page Web du produit.
2. Cliquez sur **Autofocus (Mise au point automatique)**.
3. Cliquez sur **Autofocus (Mise au point automatique)**.

Comment réinitialiser les paramètres par défaut

Comment restaurer les paramètres par défaut

Important

La restauration des paramètres par défaut doit être effectuée avec prudence. Cette opération reconfigure tous les paramètres, y compris l'adresse IP, aux valeurs d'usine par défaut.

Pour réinitialiser l'appareil aux paramètres d'usine par défaut :

1. Déconnectez l'alimentation de l'appareil.
2. Maintenez le bouton de commande enfoncé en remettant l'appareil sous tension. Cf. *Vue d'ensemble du produit* page 32.
3. Maintenez le bouton de commande enfoncé pendant 15 à 30 secondes, jusqu'à ce que le voyant d'état clignote en orange.
4. Relâchez le bouton de commande. Le processus est terminé lorsque le voyant d'état passe au vert. Les paramètres d'usine par défaut de l'appareil ont été rétablis. En l'absence d'un serveur DHCP sur le réseau, l'adresse IP par défaut est 192 . 168 . 0 . 90.
5. Utilisez les outils d'installation et de gestion pour attribuer une adresse IP, configurer le mot de passe et accéder au flux de données vidéo.

Les logiciels d'installation et de gestion sont disponibles sur les pages d'assistance du site www.axis.com/support.

Informations complémentaires

- Pour la dernière version de ce document, consultez le site www.axis.com
- Le Manuel de l'utilisateur est disponible à l'adresse suivante : www.axis.com
- Pour vérifier si des mises à jour des logiciels sont disponibles pour votre appareil réseau, consultez le site www.axis.com/techsup.
- Pour en savoir plus sur les formations, les webinaires, les tutoriels et les guides, visitez le site www.axis.com/academy.

FR

Accessoires en option

Pour obtenir la liste complète des accessoires disponibles pour ce produit, consultez www.axis.com

Caractéristiques techniques

Pour obtenir la dernière version de la fiche technique, rendez-vous sur www.axis.com > produit > Support et documentation.

Voyants

Note

- Le voyant d'état peut clignoter lorsqu'un événement est actif.

Voyant d'état	Indication
Éteint	Branchement et fonctionnement normal.
Vert	Vert et fixe pendant 10 secondes pour indiquer un fonctionnement normal après le démarrage.
Orange	Fixe pendant le démarrage. Clignote pendant les mises à niveau du microprogramme ou le rétablissement des valeurs par défaut configurées en usine.
Orange / Rouge	Clignote en orange/rouge en cas d'indisponibilité ou de perte de la connexion réseau.

Comportement du voyant d'état et du signal sonore pour l'assistant de nivellement

Pour plus d'informations sur le bouton Fonction utilisé pour la stabilisation de l'image, consultez [page 47](#).

Couleur	Avertisseur	Position de la caméra
Vert fixe	Signal sonore continu	Niveau
Clignote en vert	Bips rapides	Presque niveau
Orange clignotant	Bips moyens	Pas niveau
Rouge clignotant	Bips lents	Loin du niveau

Emplacement pour carte SD

AVIS

- La carte SD risque d'être endommagée. Ne pas utiliser d'outils tranchants ou d'objets métalliques et ne pas forcer lors de l'insertion ou du retrait de la carte SD. Utilisez vos doigts pour insérer et retirer la carte.

- Risque de perte de données et d'enregistrements corrompus. Ne retirez pas la carte SD tant que le produit est en fonctionnement. Débranchez l'alimentation ou démontez la carte SD des pages Web du produit avant de la retirer.

Cet appareil est compatible avec des cartes microSD/microSDHC/microSDXC (cartes non fournies).

Pour obtenir des conseils sur la carte SD, rendez-vous sur www.axis.com

FR

Boutons

Bouton de commande

Pour connaître l'emplacement du bouton de commande, consultez *Vue d'ensemble du produit* page 32.

Le bouton de commande permet de réaliser les opérations suivantes :

- Réinitialisation du produit aux paramètres d'usine par défaut. Cf. *page 44*.
- Connexion au service du Système d'hébergement vidéo AXIS ou au service AXIS Internet Dynamic DNS. Pour obtenir plus d'informations sur ces services, consultez le site www.axis.com.

Bouton Fonction

Le bouton Fonction permet de réaliser les opérations suivantes :

- **Assistant de nivellement** : cette fonction permet de s'assurer que l'image est stable. Appuyez sur le bouton pendant environ 2 secondes pour démarrer l'assistant de nivellement et appuyez une nouvelle fois pour le désactiver. Le voyant d'état (cf. *page 46*) et le signal sonore vous aident lors de la stabilisation de l'image. Lorsque l'avertisseur émet un signal sonore continu, cela signifie que l'image est stable.
- **Affichage des voyants d'état** : appuyez sur le bouton une fois pour allumer les voyants d'état. Appuyez à nouveau pour les éteindre. Les voyants s'éteignent automatiquement après 10 secondes.

Connecteurs

Connecteur réseau

Connecteur Ethernet RJ45 avec l'alimentation par Ethernet (PoE).

AVIS

les réglementations locales ou les conditions environnementales et électriques dans lesquelles le produit est utilisé peuvent nécessiter l'utilisation d'un câble réseau blindé (STP). Tous les câbles réseau qui sont acheminés à l'extérieur ou dans des environnements

AXIS Q3517–LV Network Camera

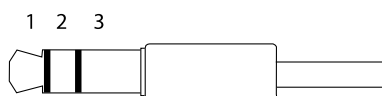
électriques exigeants doivent être destinés à leur usage spécifique. Assurez-vous que les périphériques réseau sont installés conformément aux instructions du fabricant. Pour plus d'informations sur les exigences réglementaires, consultez *Electromagnetic compatibility (EMC) on page 4*.

Connecteur audio

Le produit Axis dispose des connecteurs audio suivants :

- **Entrée audio (rose)** – entrée de 3,5 mm pour microphone mono ou signal d'entrée mono.
- **Sortie audio (verte)** : sortie de 3,5 mm (sortie de ligne) qui peut être connectée à un système de sonorisation (PA) ou à un haut-parleur actif avec amplificateur intégré. Il est recommandé d'utiliser un connecteur stéréo pour la sortie audio.

Connecteurs
audio 3,5 mm (stéréo)



	1 Pointe	2 Anneau	3 Manchon
Entrée audio	Entrée micro/ligne	Tension de polarisation de microphone	Masse
Sortie audio	Sortie ligne, mono	Sortie ligne, mono	Masse

Connecteur d'E/S

Utilisez le connecteur d'E/S avec des périphériques externes, associés aux applications telles que les alarmes de détérioration, la détection de mouvement, le déclenchement d'événements et les notifications d'alarme. En plus du point de référence 0 V CC et de l'alimentation (sortie CC), le connecteur d'E/S fournit une interface aux éléments suivants :

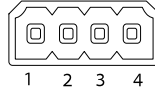
Sortie numérique – Permet de connecter des dispositifs externes, comme des relais ou des voyants. Les appareils connectés peuvent être activés par l'interface de programmation VAPIX® ou dans les pages Web des produits.

Entrée numérique – Pour connecter des dispositifs pouvant passer d'un circuit ouvert à un circuit fermé, par exemple capteurs infrarouge passifs, contacts de porte/fenêtre et détecteurs de bris de verre.

Entrée supervisée – Permet la détection de sabotage sur une entrée numérique.

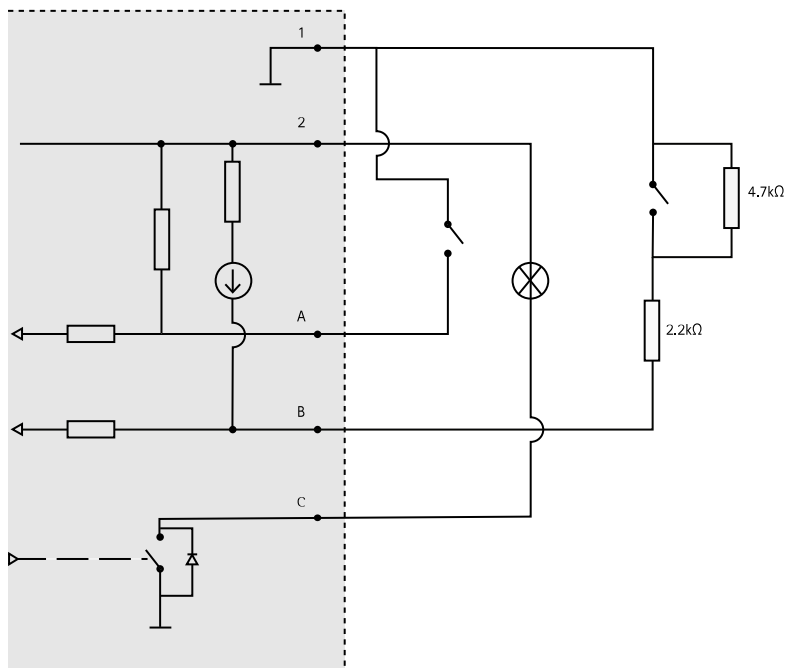
AXIS Q3517–LV Network Camera

Bloc terminal à 4 broches



FR

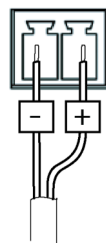
Fonction	Broche	Remarques	Caractéristiques
0 V CC (-)	1	Masse CC	0 V CC
Sortie CC	2	Peut servir à alimenter le matériel auxiliaire. Remarque : cette broche ne peut être utilisée que comme sortie d'alimentation.	12 V CC Charge maximale = 50 mA
Configurable (entrée ou sortie)	3–4	Entrée numérique – Connectez-la à la broche 1 pour l'activer ou laissez-la flotter (déconnectée) pour la désactiver.	0 à 30 V CC
		Sortie numérique - Connectée à la broche 1 lorsqu'elle est activée, flotte (déconnectée) lorsqu'elle est désactivée. Si vous l'utilisez avec une charge inductive, par exemple un relais, une diode doit être connectée en parallèle avec la charge, en guise de protection contre les tensions transitoires.	0 à 30 V CC max., drain ouvert, 100 mA
		Entrée supervisée : pour utiliser une entrée supervisée, installez des résistances de fin de ligne. Pour savoir comment connecter les résistances, consultez le schéma de raccordement.	0 à 30 V CC max.



- 1 0 V CC (-)
- 2 Sortie CC 12 V, maxi. 50 mA
- A Entrée/sortie configurée comme entrée
- B Entrée/sortie configurée comme entrée supervisée
- C Entrée/sortie configurée comme sortie

Connecteur d'alimentation

Bloc terminal à 2 broches pour l'alimentation CC. Utilisez une source d'alimentation limitée (LPS) conforme aux exigences de Très basse tension de sécurité (TBTS) dont la puissance de sortie nominale est limitée à ≤ 100 W ou dont le courant de sortie nominal est limité à ≤ 5 A.



Conditions d'utilisation

Le produit Axis est uniquement destiné à une utilisation en intérieur.

Produit	Classification	Température	Humidité
AXIS Q3517-LV	IEC 60529 IP52	De -10°C à 60°C (14°F à 122°F)	Humidité relative de 10 à 85 %

FR

Consommation électrique

Produit	Alimentation par Ethernet (PoE)	CC
AXIS Q3517-LV	IEEE 802.3af/802.3at Type 1, Classe 3 Standard 6,5 W 12,9 W max.	Standard 6,9 W 14,5 W max.

Informations sur la sécurité

Niveaux de risques

▲ DANGER

Indique une situation dangereuse qui, si elle n'est pas évitée, entraînera le décès ou des blessures graves.

▲ AVERTISSEMENT

Indique une situation dangereuse qui, si elle n'est pas évitée, pourrait entraîner le décès ou des blessures graves.

▲ ATTENTION

Indique une situation dangereuse qui, si elle n'est pas évitée, pourrait entraîner des blessures légères ou modérées.

AVIS

Indique une situation qui, si elle n'est pas évitée, pourrait endommager l'appareil.

Autres niveaux de message

Important

Indique les informations importantes, nécessaires pour assurer le bon fonctionnement de l'appareil.

Note

Indique les informations utiles qui permettront d'obtenir le fonctionnement optimal de l'appareil.

Consignes de sécurité

AVIS

- Le produit Axis doit être utilisé conformément aux lois et réglementations locales en vigueur.
- Axis recommande d'utiliser un câble réseau blindé (STP) CAT5 ou supérieur.
- Pour pouvoir utiliser le produit Axis à l'extérieur, ou dans des environnements similaires, il doit être installé dans un boîtier d'extérieur homologué.
- Conserver ce produit Axis dans un environnement sec et ventilé.
- Ne pas exposer ce produit Axis aux chocs ou aux fortes pressions.
- Ne pas installer ce produit sur des poteaux, supports, surfaces ou murs instables.
- Utiliser uniquement des outils recommandés pour l'installation de l'appareil Axis. L'application d'une force excessive sur l'appareil avec des outils puissants pourrait l'endommager.
- Ne pas utiliser de produits chimiques, de substances caustiques ou de nettoyeurs pressurisés.
- Utiliser un chiffon propre imbibé d'eau pure pour le nettoyage.
- Utiliser uniquement des accessoires conformes aux caractéristiques techniques de votre produit. Ils peuvent être fournis par Axis ou un tiers. Axis recommande d'utiliser un équipement d'alimentation Axis compatible avec votre produit.
- Utiliser uniquement les pièces de rechange fournies ou recommandées par Axis.
- Ne pas essayer de réparer vous-même ce produit. Contacter l'assistance technique d'Axis ou votre revendeur Axis pour des problèmes liés à l'entretien.

Transport

AVIS

- Lors du transport du produit Axis, utilisez l'emballage d'origine ou un équivalent pour éviter d'endommager le produit.

Batterie

Le produit Axis utilise une batterie au lithium CR2032 3,0 V comme alimentation de son horloge en temps réel interne (RTC). Dans des conditions normales, cette batterie a une durée de vie minimale de cinq ans.

Si la batterie est faible, le fonctionnement de l'horloge en temps réel peut être affecté et entraîner sa réinitialisation à chaque mise sous tension. Un message enregistré apparaît dans le rapport de serveur du produit lorsque la batterie doit être remplacée. Pour tout complément d'information

concernant le rapport de serveur, reportez-vous aux pages de Configuration du produit ou contactez l'assistance technique d'Axis.

La batterie doit être remplacée uniquement en cas de besoin, et pour ce faire, contactez l'assistance technique d'Axis à l'adresse www.axis.com/support et obtenir de l'aide.

Les piles boutons 3,0 V au lithium contiennent du 1,2-diméthoxyéthane, éthylène glycol diméthyl éther (EGDME), CAS N° 110-71-4.

▲AVERTISSEMENT

- Risque d'explosion si la batterie est remplacée de façon incorrecte.
- Remplacez-la uniquement par une batterie identique ou une batterie recommandée par Axis.
- Mettez au rebut les batteries usagées conformément aux réglementations locales ou aux instructions du fabricant de la batterie.

Couvercle de dôme

AVIS

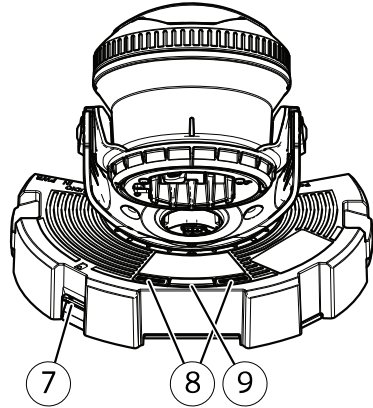
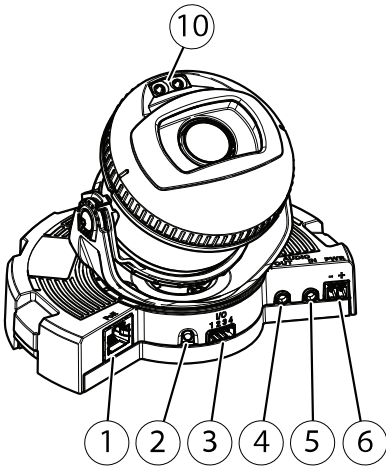
- Veillez à ne pas rayer, endommager ou laisser d'empreintes sur le couvercle du dôme car cela pourrait altérer la qualité d'image. Laissez, si possible, la protection en plastique sur le couvercle du dôme jusqu'à la fin de l'installation.
- Ne nettoyez pas le couvercle du dôme s'il semble propre à l'œil nu et ne frottez jamais sa surface. Un nettoyage excessif pourrait endommager la surface.
- Pour le nettoyage général du couvercle du dôme, il est recommandé d'utiliser un produit non abrasif, un savon neutre sans solvant ou un détergent mélangé avec de l'eau pure et un chiffon doux propre. Rincez bien à l'eau tiède pure. Séchez avec un chiffon doux et propre pour éviter les tâches d'eau.
- N'utilisez jamais de détergents agressifs, d'essence, de benzène ou d'acétone, etc. et évitez toute exposition directe aux rayons du soleil ou à des températures élevées lors du nettoyage.

Lieferumfang

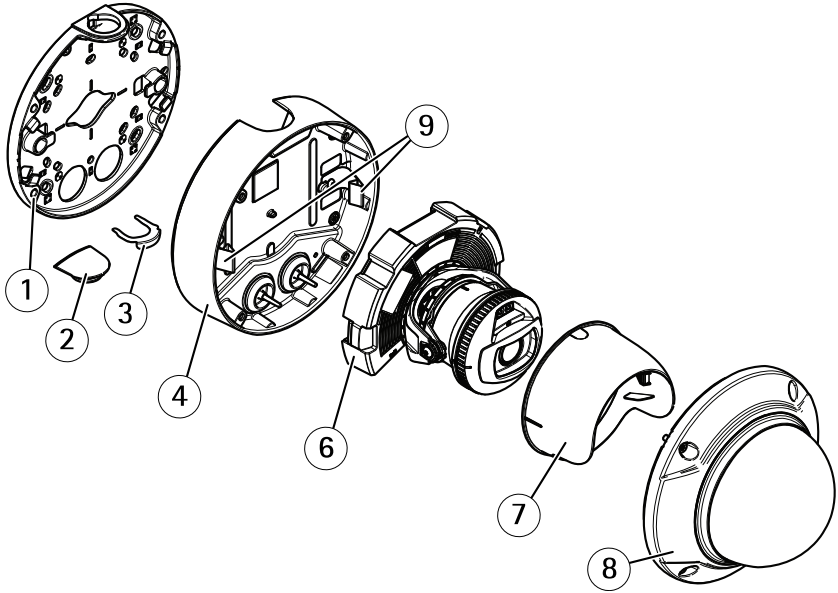
- AXIS Q3517-LV Unbewegliche Netzwerk-Dome-Kamera
- Resistorx®-Schlüssel TR20 L
- Gleichstromanschluss
- E/A-Anschlusssatz
- Zusätzliche Kabeldichtungen
 - Kabeldichtung M20 (5 mm, für Kabel mit einem Durchmesser von 5–10 mm)
 - Dichtungssatz M20 (3 mm, für Kabel mit einem Durchmesser von 3–5 mm)
- Verbindungsschutz
- Gedrucktes Material
 - Installationsanleitung (dieses Dokument)
 - Bohrschablone
 - Zusätzliche Etiketten mit der Seriennummer (2x)
 - AVHS-Authentifizierungsschlüssel

AXIS Q3517-LV Network Camera

Produktübersicht

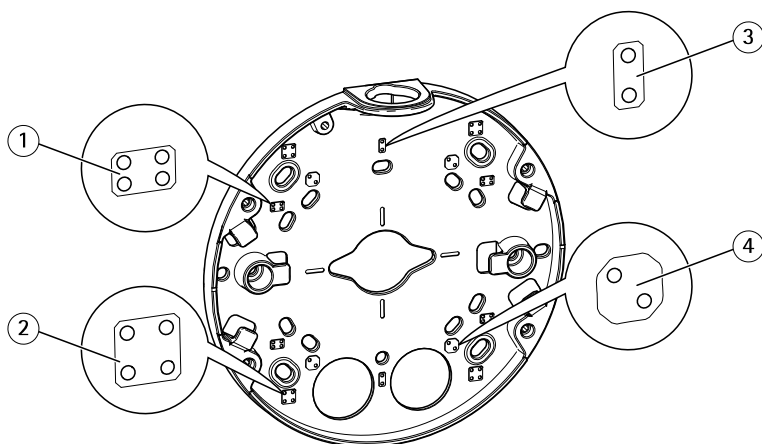


- 1 Netzwerkanschluss
- 2 Steuertaste
- 3 E/A-Anschluss
- 4 Audioausgang
- 5 Audioeingang
- 6 Gleichstromanschluss
- 7 SD-Kartensteckplatz
- 8 Status-LED (2x)
- 9 Funktionstaste
- 10 IR-LED (2x)



- 1 Montagehalterung
- 2 Seitenabdeckung
- 3 Feststellklemme
- 4 Kameragehäuse
- 5 Federn
- 6 Kameraeinheit
- 7 Sichtschutz
- 8 Kuppelabdeckung

Montagehalterung



- 1 *Standard-US-Doppelverteilerdose*
- 2 *Quadratische 4"-Anschlussdose*
- 3 *Standard-US-Anschlussdose*
- 4 *Achteckige 4"-Anschlussdose*

Die Montagehalterung besitzt 4 Standard-Montagemuster.

Installieren des Produkts

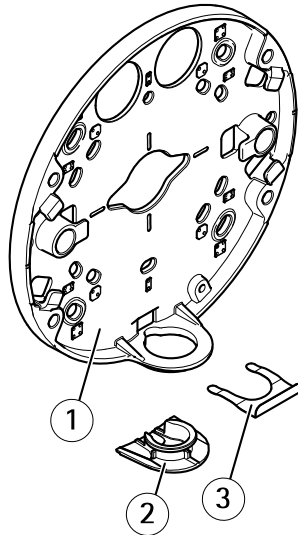
Die Hardware installieren

Führen der Kabel

- Wenn Sie die Kabel entlang der Wand verlegen möchten, finden Sie weitere Informationen unter *Seite 61*.
- Wenn Sie die Kabel durch die Wand verlegen möchten, finden Sie weitere Informationen dazu unter *Seite 62*.
- Wenn Sie ein Rohr an der Montagehalterung anbringen möchten, finden Sie weitere Informationen dazu unter *Seite 63*.

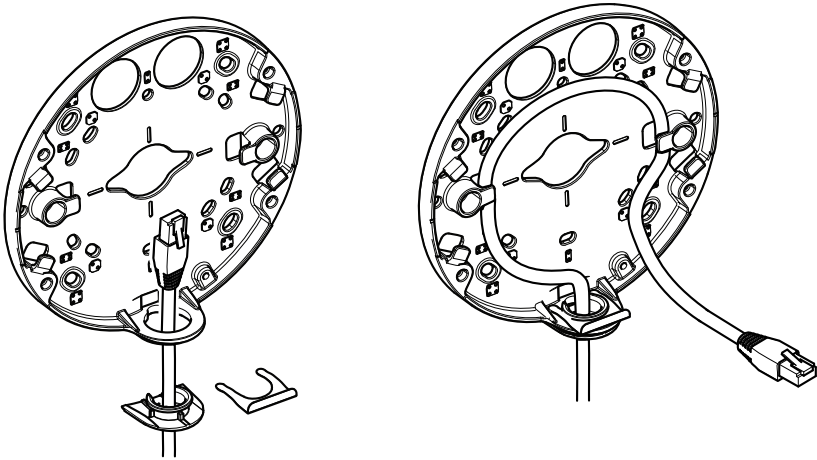
Verlegen der Kabel entlang der Wand

1. Bohren Sie mithilfe der Bohrschablone vier Löcher für die Wandhalterung.
2. Bringen Sie die Montagehalterung mit geeigneten Schrauben an der Wand an.



- 1 Montagehalterung
- 2 Seitenabdeckung
- 3 Feststellklemme

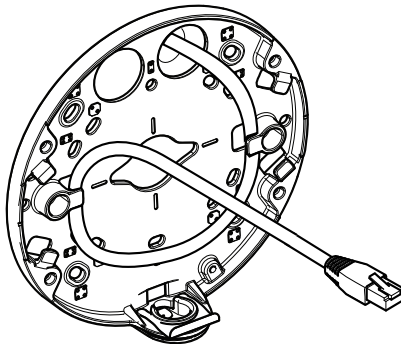
3. Entfernen Sie die Feststellklemme und die Seitenabdeckung.
4. Bohren Sie in die Seitenabdeckung ein Loch für das Kabel.



5. Führen Sie das Kabel durch das Loch in der Seitenabdeckung.
6. Bringen Sie die Seitenabdeckung an der Montagehalterung an und arretieren Sie sie mit der Feststellklemme.
7. Wickeln Sie das Netzkabel entlang der Nuten an der Halterung. Die zusätzliche Kabellänge kann sich später als nützlich erweisen.

Verlegen der Kabel durch die Wand

1. Bohren Sie mithilfe der Bohrschablone vier Löcher für die Montagehalterung und ein Loch für jedes Kabel.
2. Bringen Sie die Montagehalterung mit geeigneten Schrauben an der Wand an.

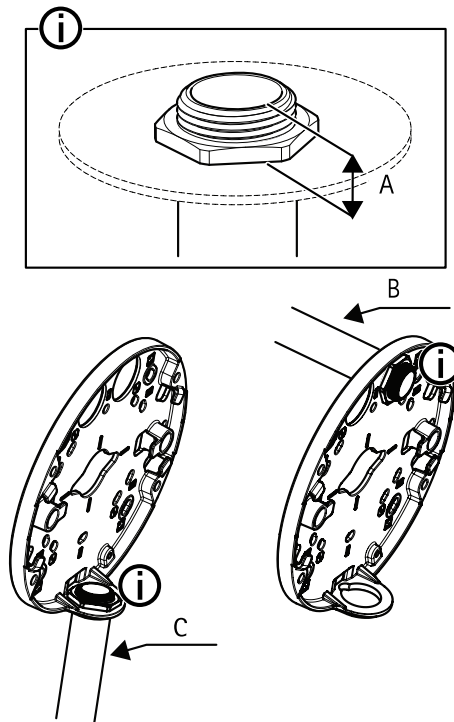


3. Führen Sie das Netzkabel durch die Wand und die Wandhalterung.

4. Wickeln Sie das Netzkabel entlang der Nuten an der Halterung. Die zusätzliche Kabellänge kann sich später als nützlich erweisen.

Verlegen der Kabel durch ein Rohr

1. Bohren Sie mithilfe der Bohrschablone vier Löcher für die Montagehalterung und ein Loch für das Rohr, falls es von der Rückseite der Montagehalterung aus angebracht wird.
2. Bringen Sie die Montagehalterung mit geeigneten Schrauben an der Wand an.



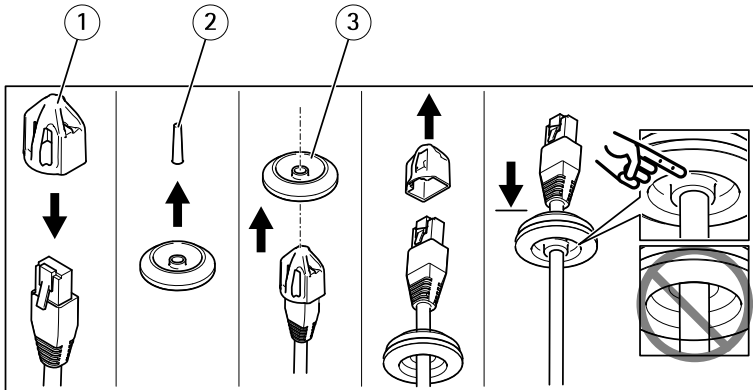
- A Maximal 8 mm
B 3/4"-Rohr
C 1/2"-Rohr

3. Befestigen Sie das Rohr mit der Kontermutter. Tragen Sie Loctite®-Gewindekleber zwischen der Mutter und den Rohrgewinden auf.
4. Überprüfen Sie, ob Abstand A innerhalb der Grenzwerte liegt.
5. Führen Sie das Kabel durch das Rohr.

6. Wickeln Sie das Netzkabel entlang der Nuten an der Halterung. Die zusätzliche Kabellänge kann sich später als nützlich erweisen.

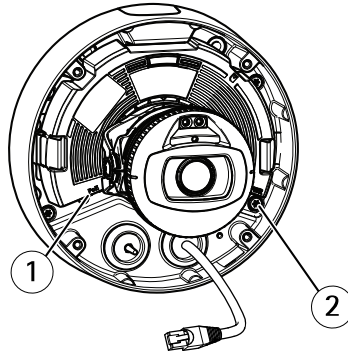
Anschließen der Kabel und Anbringen des Kameragehäuses an der Halterung

1. Setzen Sie eine SD-Speicherkarte in die Kameraeinheit ein (optional).



- 1 *Verbindungsschutz*
- 2 *Lasche*
- 3 *Kabeldichtung*

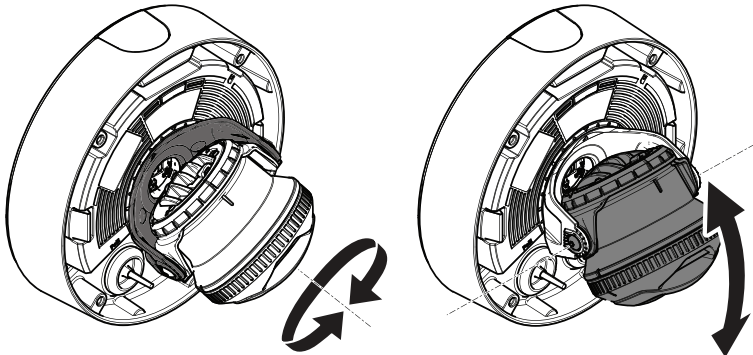
2. Bringen Sie den mitgelieferten Verbindungsschutz am Netzkabel an.
3. Ziehen Sie die Lasche an der Kabeldichtung, die am weitesten vom Netzwerkanschluss im Kameragehäuse entfernt ist.
4. Führen Sie das Netzkabel durch die Kabeldichtung.
5. Entfernen Sie den Verbindungsschutz vom Netzkabel.
6. Führen Sie das Netzkabel durch die Kabeldichtung.
7. Ziehen Sie das Netzkabel leicht zurück, damit sich die Kabeldichtung an das Kabel anpassen kann.



- 1 *Netzwerkanschluss*
- 2 *Manipulationssichere Schraube*

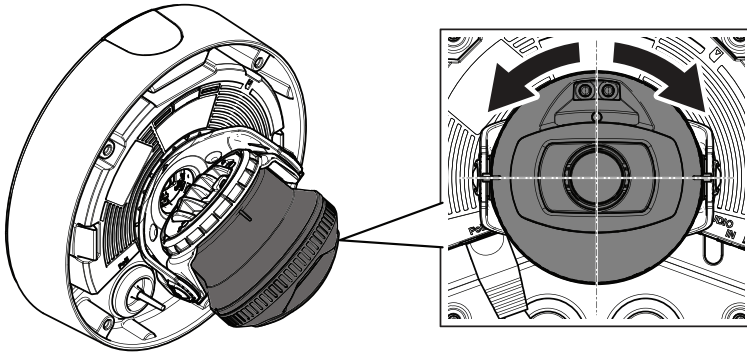
8. Bringen Sie das Kameragehäuse an der Halterung an, indem Sie die vier manipulationssicheren Schrauben mit dem Resitorx®-Schlüssel TR20 festziehen.
9. Schließen Sie das Netzkabel an die Kameraeinheit an.
10. Ziehen Sie die Federn im Kameragehäuse zur Seite und setzen Sie die Kameraeinheit in dieses ein.

Einstellen des Kamerawinkels

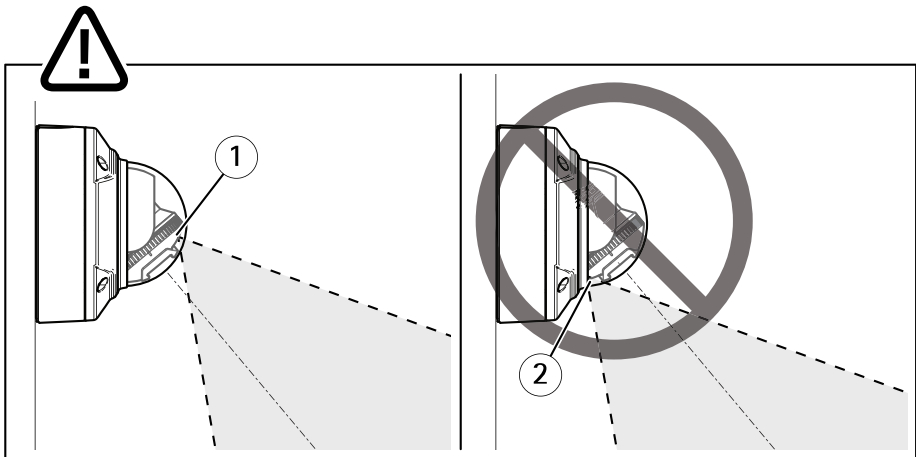


1. Stellen Sie den Winkel durch Schwenken und Neigen der Kamera ein. Die Kamera kann um 360° geschwenkt und von -80° bis 80° geneigt werden.

AXIS Q3517-LV Network Camera



2. Stellen Sie den Winkel durch Drehen der Kamera ein. Die Kamera kann um $\pm 175^\circ$ gedreht werden.

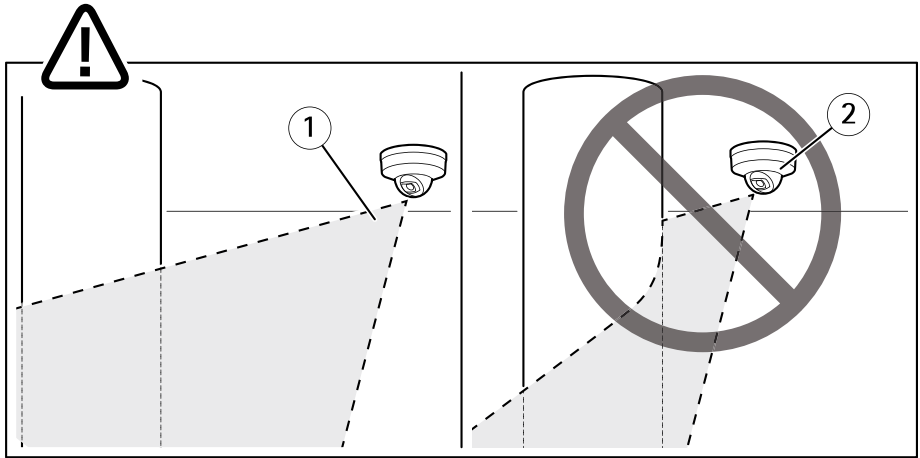


- 1 IR-LEDs ordnungsgemäß positioniert.
- 2 IR-LEDs durch Kuppelabdeckung verdeckt.

3. Schieben Sie die Kuppelabdeckung über die Kamera, ohne die Schrauben anzubringen.
4. Vergewissern Sie sich, dass die IR-LEDs nicht durch die Kuppelabdeckung verdeckt werden.

Beachten

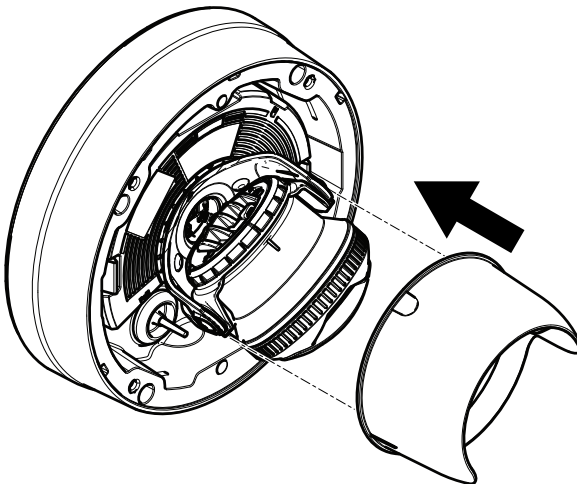
Es ist wichtig, die Kamera in einem Winkel zu positionieren, sodass das Licht der IR-LEDs nicht in die Kamera zurückreflektiert.



DE

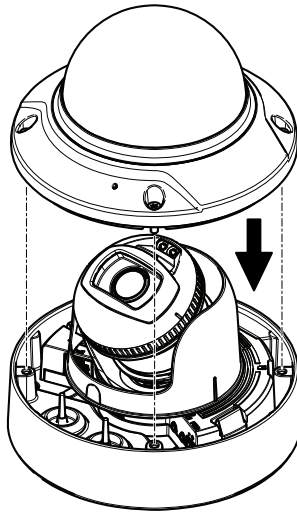
- 1 IR-LEDs beleuchten nicht die reflektierende Oberfläche in der Nähe.
- 2 Kamera zu nah an der reflektierenden Oberfläche positioniert.

Anbringen des Sichtschutzes



1. Bringen Sie den Sichtschutz an der Kameraeinheit an.
2. Entfernen Sie den Sichtschutz durch Herunterdrücken der Ober- und Unterseite.

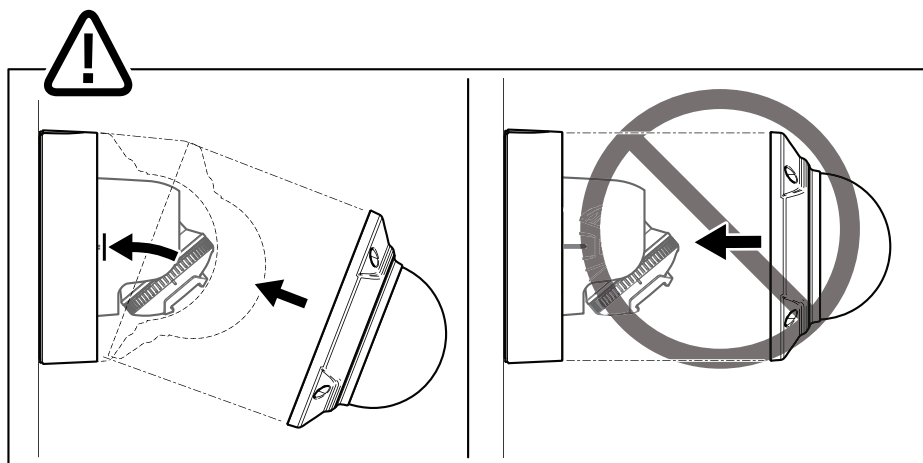
Anbringen der Kuppelabdeckung



1. Befestigen Sie die Kuppelabdeckung mit dem Resitorx®-Schlüssel TR20 am Kameragehäuse.

Beachten

Bringen Sie die Kuppelabdeckung in einem Winkel an, um das Kameraobjektiv in Position zu halten.



DE

2. Entfernen Sie die Schutzfolie von der Kuppelabdeckung.

Zugriff auf das Produkt

Für die Suche nach Axis Produkten im Netzwerk und zur Zuweisung einer IP-Adresse unter Windows® werden AXIS IP Utility und AXIS Camera Management empfohlen. Beide Anwendungen sind kostenlos und können von www.axis.com/support heruntergeladen werden.

Das Produkt ist mit den meisten Betriebssystemen und Browsern kompatibel. Empfohlen werden folgende Browser:

- Internet Explorer® unter Windows®
- Safari® unter OS X®
- Chrome™ oder Firefox® unter anderen Betriebssystemen

Weitere Informationen zur Nutzung dieses Produkts finden Sie im Benutzerhandbuch unter www.axis.com.

Einstellen von Fokus und Zoom

1. Rufen Sie auf der Produktwebseite die Registerkarte Bild auf.
2. Klicken Sie auf Autofokus.
3. Klicken Sie auf Autofokus.

Zurücksetzen auf die werksseitigen Standardeinstellungen

Zurücksetzen auf die werksseitigen Standardeinstellungen

Wichtig

Die Funktion zum Zurücksetzen auf die werksseitigen Standardeinstellungen sollte mit Vorsicht angewendet werden. Beim Zurücksetzen auf die Werkseinstellungen werden alle Einstellungen einschließlich der IP-Adresse auf die Werkseinstellungen zurückgesetzt.

So wird das Produkt auf die werksseitigen Standardeinstellungen zurückgesetzt:

1. Trennen Sie das Produkt von der Stromversorgung.
2. Halten Sie die Steuertaste gedrückt und stellen Sie die Stromversorgung wieder her. Siehe *Produktübersicht auf Seite 58*.
3. Halten Sie die Steuertaste etwa 15 bis 30 Sekunden gedrückt, bis die Status LED gelb blinkt.
4. Lassen Sie die Steuertaste los. Der Vorgang ist abgeschlossen, wenn die Status LED grün leuchtet. Das Produkt wurde auf die Werkseinstellungen zurückgesetzt. Wenn kein DHCP-Server im Netzwerk verfügbar ist, lautet die Standard-IP-Adresse 192.168.0.90.
5. Verwenden Sie die Software-Tools für Installation und Verwaltung, um eine IP-Adresse zuzuweisen, ein Kennwort einzurichten und auf den Videostream zuzugreifen. Die Software-Tools für Installation und Verwaltung sind über die Supportseiten unter www.axis.com/support verfügbar.

Weitere Informationen

- Unter www.axis.com finden Sie die aktuelle Version dieses Dokuments.
- Das Benutzerhandbuch steht unter www.axis.com zur Verfügung.
- Unter www.axis.com/support finden Sie Firmware-Aktualisierungen für Ihre Produkte.
- Nützliche Onlineschulungen und Webinare finden Sie unter www.axis.com/academy.

Optionales Zubehör

Eine vollständige Liste mit Zubehör für dieses Produkt finden Sie unter www.axis.com.

Technische Daten

Die aktuelle Version der technischen Kenndaten finden Sie auf www.axis.com unter Product > Support & Documentation.

LEDs

Beachten

- Die Status-LED kann so eingestellt werden, dass sie blinkt, wenn ein Ereignis aktiv ist.

Status-LED	Bedeutung
Leuchtet nicht	Anschluss und Normalbetrieb
Grün	Leuchtet bei Normalbetrieb nach Abschluss des Startvorgangs 10 Sekunden lang grün.
Gelb	Leuchtet beim Start. Blinkt während Firmware-Aktualisierung und Wiederherstellung der Werkseinstellungen.
Gelb/rot	Blinkt gelb/rot, wenn die Netzwerkverbindung nicht verfügbar ist oder unterbrochen wurde.

Verhalten von LED-Statusanzeige und Summton des Nivellier-Assistenten

Informationen zum Gebrauch der Funktionstaste beim Nivellieren des Bildes siehe *Seite 73*.

Farbe	Summer	Kameraposition
Grün konstant	Dauerton	Ausgerichtet
Grün blinkend	Schnelle Einzeltonfolge	Fast nivelliert
Orange blinkend	Mittelschnelle Einzeltonfolge	Nicht nivelliert
Rot blinkend	Langsame Einzeltonfolge	Völlig unnivelliert

SD-Karteneinschub

HINWEIS

- Gefahr von Schäden an der SD-Karte. Verwenden Sie beim Einlegen oder Entfernen der SD-Karte keine scharfen/spitzen Werkzeuge oder Gegenstände aus Metall und wenden Sie nicht zu viel Kraft an. Setzen Sie die Karte per Hand ein. Das Gleiche gilt für das Entfernen.
- Gefahr von Datenverlust und Beschädigung der Aufnahmen. Die SD-Karte darf nicht entfernt werden, während das Produkt in Betrieb ist. Trennen Sie die Stromversorgung oder deaktivieren Sie die SD-Karte vor dem Entfernen über die Webseite des Produkts.

Dieses Produkt unterstützt microSD-/microSDHC-/microSDXC-Karten (separat erhältlich).

Empfehlungen zu SD-Karten finden Sie unter www.axis.com.

Tasten

Steuertaste

Zur Lage der Steuertaste, siehe *Produktübersicht auf Seite 58*.

Die Steuertaste hat folgende Funktionen:

- Zurücksetzen des Produkts auf die Werkseinstellungen. Siehe *Seite 70*.
- Verbinden mit einem Dienst des Typs AXIS Video Hosting System oder des Typs AXIS Internet Dynamic DNS. Weitere Informationen zu diesen Diensten finden Sie auf www.axis.com.

DE

Funktionstaste

Die Funktionstaste hat mehrere Aufgaben:

- **Nivellier-Assistent** – Diese Funktion unterstützt das Nivellieren des Bildes. Die Taste ca. 2 Sekunden lang betätigen, um den Nivellier-Assistenten zu starten. Die Taste erneut betätigen, um den Assistenten zu beenden. Die LED-Statusanzeige (siehe *Seite 72*) und der Summton unterstützen das Nivellieren des Bildes. Das Bild ist nivelliert, wenn der Summton als Dauerton erklingt.
- **Kontrolle der Status-LEDs** – Drücken Sie die Taste einmal, leuchten die Status-LEDs auf. Drücken Sie die Taste erneut, erlöschen die LEDs. Die LEDs werden nach zehn Sekunden automatisch ausgeschaltet.

Anschlüsse

Netzwerkanschluss

RJ45-Ethernetanschluss mit Power over Ethernet (PoE).

HINWEIS

Aufgrund örtlicher Vorschriften bzw. je nach Umgebung oder elektrischer Anlage, in/mit der das Produkt verwendet wird, kann ein abgeschirmtes Netzkabel (STP) empfehlenswert oder notwendig sein. Alle Netzkabel des Produkts, die im Außenbereich oder in anspruchsvollen elektrischen Umgebungen verlegt werden, müssen hierfür ausgelegt sein. Stellen Sie sicher, dass die Netzwerkgeräte gemäß den Anweisungen des Herstellers installiert wurden. Informationen zu gesetzlichen Bestimmungen finden Sie unter *Electromagnetic compatibility (EMC) on page 4*.

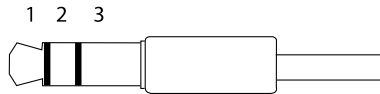
AXIS Q3517–LV Network Camera

Audioanschlüsse

Das Axis Produkt ist mit den folgenden Audioanschlüssen ausgestattet:

- **Audioeingang (rosa)** – 3,5-mm-Anschluss für ein Monomikrofon oder ein Monosignal.
- **Audioausgang (grün)** – 3,5-mm-Audioausgang (Leitungspegel) zum Anschließen einer Rundrufanlage (PA) oder eines Aktivlautsprechers mit integriertem Verstärker. Für den Audioausgang empfiehlt sich die Verwendung eines Stereosteckers.

3,5-mm-
Audioanschlüsse
(Stereo)



	1 Spitze	2 Ring	3 Schaft
Audioeingang	Mikrofon-/Leitungseingang	Mikrofon-Vorspannung	Masse
Audioausgang	Leitungsausgang, Mono	Leitungsausgang, Mono	Masse

E/A-Anschlüsse

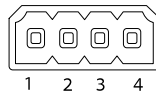
Über den E/A-Anschluss werden externe Geräte in Verbindung mit Manipulationsalarmen, Bewegungserkennung, Ereignisauslösung, Alarmbenachrichtigungen und anderen Funktionen angeschlossen. Abgesehen von 0 V DC-Bezugspunkt und Strom (Gleichstromausgang) verfügt der E/A-Anschluss über eine Schnittstelle zu:

Digitalausgang – Zum Anschluss externer Geräte wie Relais und LEDs. Angeschlossene Geräte können über die VAPIX®-API (Application Programming Interface) oder über die Produktwebsite aktiviert werden.

Digitaleingang – Zum Anschluss von Geräten, die zwischen geöffnetem und geschlossenem Schaltkreis wechseln können, z. B. PIR-Sensoren, Tür-/Fensterkontakte und Glasbruchmelder.

Überwachter Eingang – Ermöglicht das Erfassen von Manipulation an einem digitalen Eingang.

4-poliger Anschlussblock



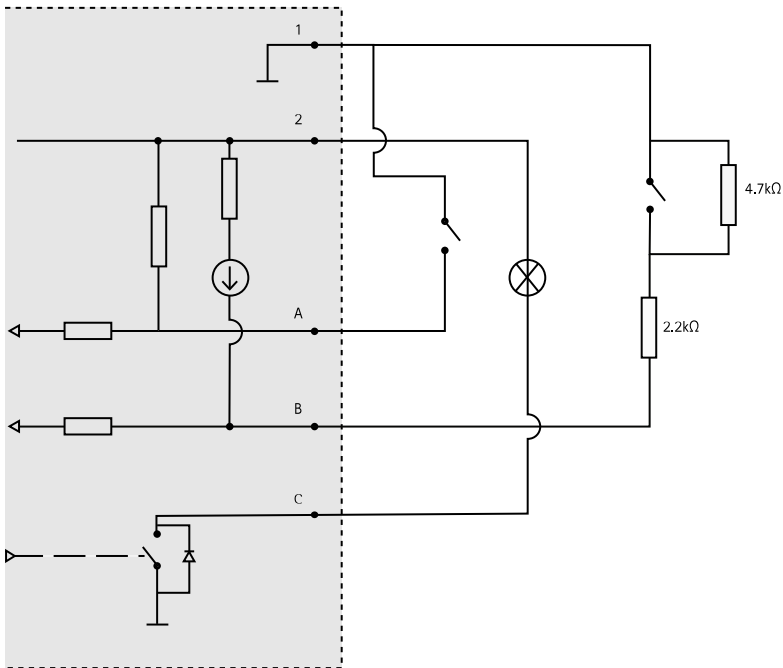
Funktion	Kontakt	Hinweise	Technische Daten
0 V DC (-)	1	Masse	0 V DC

AXIS Q3517–LV Network Camera

DC-Ausgang	2	Kann für die Stromversorgung von Zusatzgeräten verwendet werden. Hinweis: Dieser Kontakt kann nur für den Stromausgang verwendet werden.	12 V DC Max. Stromstärke = 50 mA
Konfigurierbar (Ein- oder Ausgang)	3–4	Digitaleingang – zum Aktivieren mit Pin 1 verbinden; zum Deaktivieren nicht anschließen.	0 bis max. 30 V DC
		Digitalausgang – bei Aktivierung mit Pin 1 verbunden; wenn deaktiviert: frei (nicht verbunden). Bei Verwendung mit einer induktiven Last, z. B. einem Relais, muss parallel zur Last eine Diode zum Schutz vor Spannungsspitzen zwischengeschaltet werden.	0 bis max. 30 V DC, Open Drain, 100 mA
		Überwacher Eingang: Bringen Sie zur Verwendung überwachter Eingänge Abschlusswiderstände an. Informationen zum Anschließen der Widerstände entnehmen Sie dem Anschlusschaltbild.	0 bis max. 30 V DC

DE

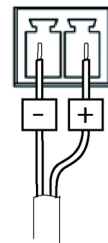
AXIS Q3517-LV Network Camera



- 1 0 V DC (-)
- 2 DC-Ausgang 12 V, max. 50 mA
- A E/A als Eingang konfiguriert
- B E/A als überwachter Eingang konfiguriert
- C E/A als Ausgang konfiguriert

Netzanschluss

2-poliger Anschlussblock für die Gleichstromversorgung. Verwenden Sie eine mit den Anforderungen für Schutzkleinspannung (SELV) kompatible Stromquelle mit begrenzter Leistung (LPS) mit einer Nennausgangsleistung von ≤ 100 W oder einem dauerhaft auf ≤ 5 A begrenzten Nennausgangsstrom.



Betriebsbedingungen

Das Axis Produkt ist für die Verwendung im Innenbereich konzipiert.

Produkt	Klassifizierung	Temperatur	Luftfeuchtigkeit
AXIS Q3517-LV	IEC 60529 IP52	-10 °C bis 60 °C	Relative Luftfeuchtigkeit 10 bis 85 %

Leistungsaufnahme

DE

Produkt	Power over Ethernet (PoE)	Gleichstrom
AXIS Q3517-LV	IEEE 802.3af/802.3at Typ 1, Klasse 3 Normal 6,5 W Max. 12,9 W	Normal 6,9 W Max. 14,5 W

Sicherheitsinformationen

Gefährdungsstufen

▲GEFAHR

Weist auf eine gefährliche Situation hin, welche zum Tod oder zu schweren Verletzungen führt.

▲WARNUNG

Weist auf eine gefährliche Situation hin, welche, falls nicht verhindert, zu Tod oder schweren Verletzungen führen kann.

▲VORSICHT

Weist auf eine gefährliche Situation hin, welche, falls nicht verhindert, zu geringfügiger oder mäßiger Verletzung führen kann.

HINWEIS

Weist auf eine gefährliche Situation hin, welche, falls nicht verhindert, zu Sachschäden führen kann.

DE

Weitere Nachrichtenstufen

Wichtig

Weist auf wichtige Informationen hin, die den richtigen Betrieb des Produkts gewährleisten.

Beachten

Weist auf nützliche Informationen hin, die die optimale Verwendung des Produkts unterstützen.

Sicherheitsanweisungen

HINWEIS

- Das Axis Produkt muss unter Beachtung der örtlich geltenden Gesetze und Bestimmungen benutzt werden.
- Axis empfiehlt die Verwendung eines abgeschirmten Netzkabels (STP) der Kategorie 5 oder höher.
- Für den Einsatz von Axis-Produkten im Außenbereich oder ähnlichen Umgebungen müssen diese in für den Außenbereich zugelassenen Gehäusen installiert werden.
- Lagern Sie das Axis Produkt in einer trockenen und belüfteten Umgebung.
- Achten Sie darauf, dass das Axis Produkt weder Stößen noch starkem Druck ausgesetzt ist.
- Installieren Sie das Produkt nicht an instabilen Masten, Halterungen, Oberflächen oder Wänden.
- Verwenden Sie bei der Installation des Axis Produkts ausschließlich passende Werkzeuge. Ein zu großer Kraftaufwand mit elektrischen Werkzeugen kann das Produkt beschädigen.
- Verwenden Sie keine chemischen, ätzenden oder aerosolhaltigen Reinigungsmittel.
- Verwenden Sie zum Reinigen ein sauberes, mit destilliertem Wasser angefeuchtetes Tuch.
- Verwenden Sie nur Zubehör, das den technischen Vorgaben Ihres Produkts entspricht. Dieses ist von Axis oder Drittanbietern erhältlich. Axis empfiehlt die mit Ihrem Produkt kompatible Stromversorgung von Axis.
- Verwenden Sie ausschließlich Ersatzteile die von Axis angeboten oder empfohlen werden.
- Versuchen Sie nicht, dieses Produkt selbsttätig zu reparieren. Wenden Sie sich bezüglich Reparatur und Wartung an den Axis Support oder Ihren Axis Händler.

Transport

HINWEIS

- Bei Bedarf transportieren Sie das Axis Produkt in der Originalverpackung oder einer entsprechenden Verpackung, so dass Schäden vermieden werden.

Batterie

Das Axis-Produkt ist mit einer 3,0 V-CR2032-Lithium-Batterie ausgestattet, mit der die interne Echtzeituhr (RTC) versorgt wird. Unter normalen Bedingungen hat die Batterie eine Lebensdauer von mindestens fünf Jahren.

Bei entladener Batterie ist der Betrieb der Echtzeituhr nicht mehr gewährleistet, sodass die Uhr bei jedem Systemstart zurückgesetzt wird. Sie erhalten eine Protokollnachricht im Serverbericht des Produkts, wenn ein Batteriewechsel erforderlich ist. Weitere Informationen über den Serverbericht finden Sie auf den Setup-Seiten des Produkts, oder wenden Sie sich an den Axis Support.

Die Batterie sollte nur bei Bedarf ersetzt werden. Wenden Sie sich in diesem Fall unter www.axis.com/support an den Axis-Support.

Lithium-Knopfzellen (3,0 V) enthalten 1,2-Dimethoxyethan; Ethylenglycoldimethylether (EGDME), CAS-Nr. 110-71-4.

⚠️ WARNUNG

- Explosionsgefahr bei fehlerhaftem Batteriewechsel.
- Die Batterie darf nur durch eine identische Batterie oder eine von Axis empfohlene Batterie ersetzt werden.
- Verbrauchte Batterien sind gemäß den örtlichen Vorschriften oder den Anweisungen des Herstellers zu entsorgen.

DE

Kuppelabdeckung

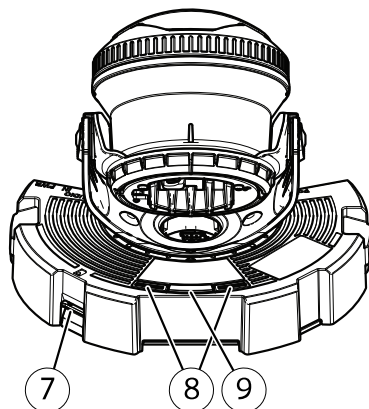
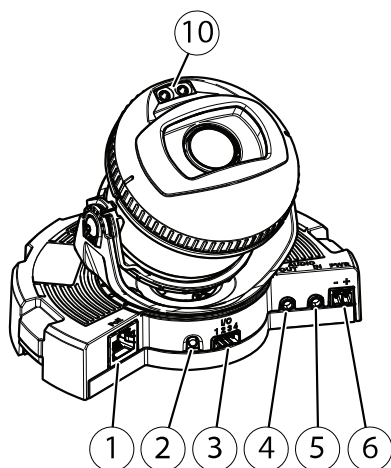
HINWEIS

- Achten Sie darauf die Kuppelabdeckung weder zu zerkratzen, zu beschädigen oder darauf Fingerabdrücke zu hinterlassen, da dies die Bildqualität beeinträchtigen kann. Falls möglich, entfernen Sie die Schutzfolie erst nach Abschluss der Installation.
- Säubern Sie niemals eine Kuppelabdeckung, wenn diese sauber erscheint, und polieren Sie keinesfalls die Oberfläche. Zu häufiges Säubern kann die Oberfläche beschädigen.
- Für die normale Reinigung der Kuppelabdeckung werden eine nicht-scheuernde, lösungsmittelfreie neutrale Seife oder ein entsprechendes Reinigungsmittel mit destilliertem Wasser und ein sauberer, weicher Lappen empfohlen. Spülen Sie die Kuppelabdeckung gründlich mit lauwarmem destilliertem Wasser ab. Trocknen Sie die Kuppelabdeckung mit einem weichen, sauberen Lappen, um Wasserflecken zu vermeiden.
- Verwenden Sie niemals aggressive Reinigungsmittel, Benzin, Benzol oder Aceton usw. Reinigen Sie die Kuppelabdeckung nicht bei direkter Sonneneinstrahlung oder höheren Temperaturen.

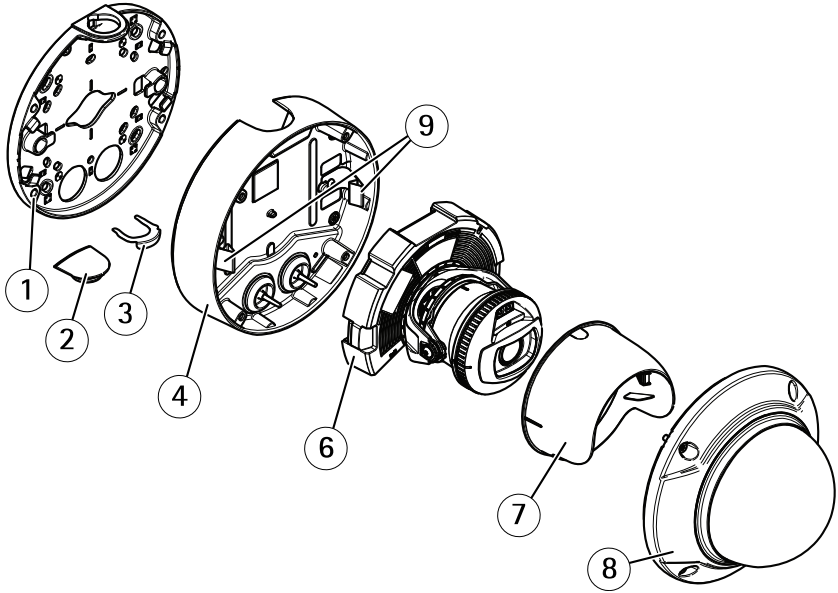
Contenuto della confezione

- Telecamera di rete a cupola fissa AXIS Q3517-LV
- Chiave a L Resistorx® TR20
- Connettore CC
- Kit del connettore I/O
- Guarnizioni per cavi aggiuntive
 - Guarnizione per cavi M20 da 5 mm (per cavo da 5 a 10 mm di diametro)
 - Kit della guarnizione per cavi M20 da 3 mm (per cavo da 3 a 5 mm di diametro)
- Protezione del connettore
- Documentazione
 - Guida all'installazione (questo documento)
 - Sagoma per la foratura
 - Etichetta aggiuntiva con numero di serie (2x)
 - Chiave di autenticazione AVHS

Panoramica del dispositivo

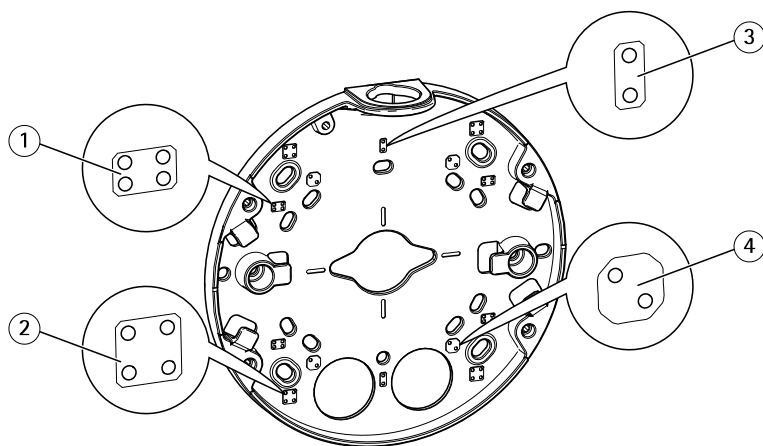


- 1 Connettore di rete
- 2 Pulsante di comando
- 3 Connettore I/O
- 4 Uscita audio
- 5 Ingresso audio
- 6 Connettore CC
- 7 Slot per scheda di memoria
- 8 LED di stato (2x)
- 9 Tasto Funzione
- 10 LED a infrarossi (2x)



- 1 Staffa di montaggio
- 2 Copertura laterale
- 3 Clip di arresto
- 4 Casing dell'unità
- 5 Molle
- 6 Unità telecamera
- 7 Protezione visualizzazione
- 8 Copertura a cupola

Staffa di montaggio



- 1 *Scatola di giunzione per unità doppia, a dimensioni standard USA*
- 2 *Scatola quadrata da 4"*
- 3 *Scatola di giunzione per unità singola, a dimensioni standard USA*
- 4 *Scatola ottagonale da 4"*

La staffa di montaggio ha 4 schemi di montaggio standard.

Come installare il dispositivo

Installazione dell'hardware

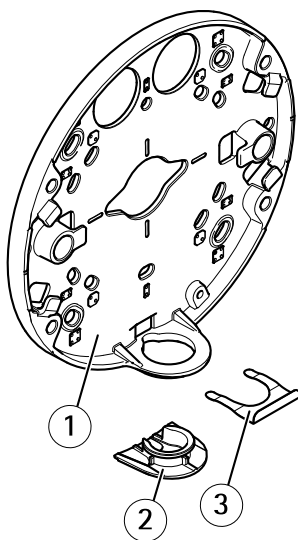
Installazione dei cavi

- Per installare i cavi lungo la parete, consultare *pagina 87*.
- Per far passare i cavi attraverso la parete, consultare *pagina 88*.
- Se si fissa un tubo alla staffa di montaggio, consultare *pagina 89*

Installazione dei cavi lungo la parete

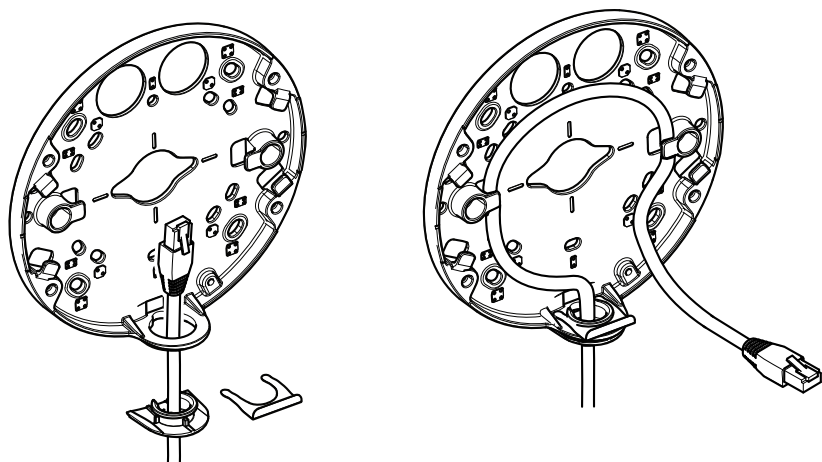
1. Utilizzare la maschera di foratura per praticare quattro fori per la staffa di montaggio.
2. Fissare la staffa di montaggio alla parete con le viti appropriate.

IT



- 1 Staffa di montaggio
- 2 Copertura laterale
- 3 Clip di arresto

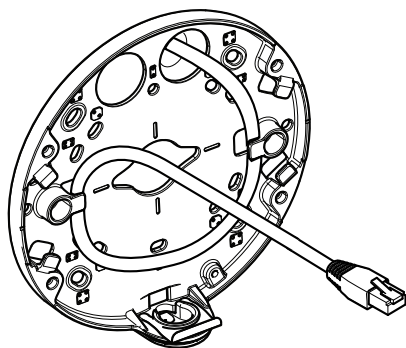
3. Rimuovere la clip di arresto e la copertura laterale.
4. Praticare un foro nella copertura laterale per il cavo.



5. Far passare il cavo attraverso il foro nella copertura laterale.
6. Fissare la copertura laterale alla staffa di montaggio con la clip di arresto.
7. Inserire il cavo di rete nelle scanalature della staffa di montaggio mantenendo fuori una parte per un eventuale utilizzo successivo.

Installazione dei cavi attraverso la parete

1. Utilizzare la maschera di foratura per praticare quattro fori per la staffa di montaggio e uno per ogni cavo.
2. Fissare la staffa di montaggio alla parete con le viti appropriate.

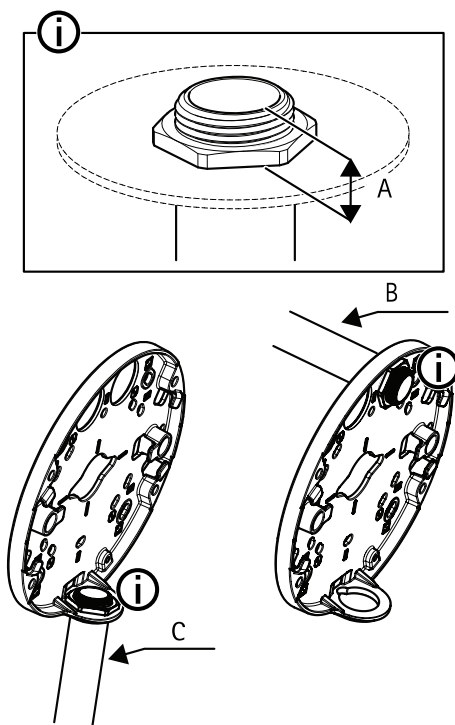


3. Inserire il cavo di rete attraverso la parete e la staffa di montaggio.

4. Inserire il cavo di rete nelle scanalature della staffa di montaggio mantenendo fuori una parte per un eventuale utilizzo successivo.

Instradamento dei cavi tramite un tubo

1. Utilizzare la maschera di foratura per praticare quattro fori per la staffa di montaggio e uno per il tubo se collegato tramite la parte posteriore della staffa di montaggio.
2. Fissare la staffa di montaggio alla parete con le viti appropriate.



- A Massimo 8 mm
B Tubo da 3/4"
C Tubo da 1/2"

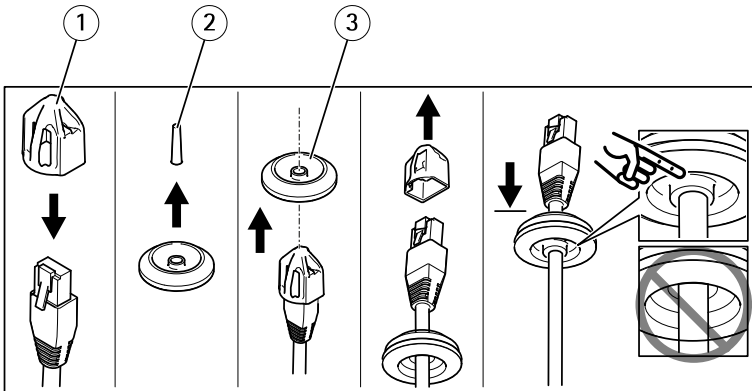
3. Fissare il tubo con il controdado applicando il frenafilletteri Loctite® tra il dado e le filettature sul tubo.
4. Verificare che la distanza A sia entro i limiti.
5. Instradare il cavo attraverso il tubo.

AXIS Q3517-LV Network Camera

6. Inserire il cavo di rete nelle scanalature della staffa di montaggio mantenendo fuori una parte per un eventuale utilizzo successivo.

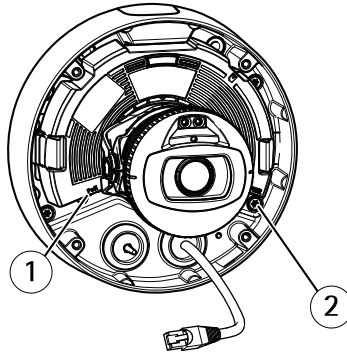
Collegamento dei cavi e fissaggio del casing dell'unità alla staffa di montaggio

1. Inserire una scheda di memoria nell'unità telecamera (opzionale).



- 1 *Protezione del connettore*
- 2 *Linguetta*
- 3 *Guarnizione per cavi*

2. Fissare la protezione del connettore fornita al cavo di rete.
3. Tirare la linguetta dalla guarnizione del cavo nel punto più lontano dal connettore di rete sull'unità telecamera.
4. Inserire il cavo di rete attraverso la guarnizione per cavi.
5. Rimuovere la protezione del connettore dal cavo di rete.
6. Instrarare il cavo di rete attraverso la guarnizione per cavi.
7. Tirare delicatamente il cavo di rete in modo da adattare la guarnizione al cavo.

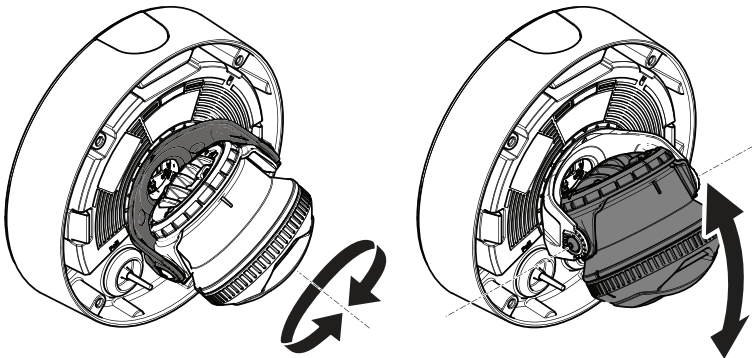


- 1 *Connettore di rete*
- 2 *Vite antimanomissione*

IT

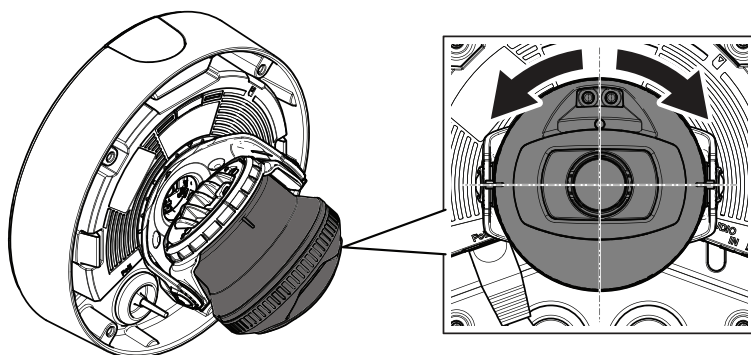
8. Fissare il casing dell'unità alla staffa di montaggio, serrando le quattro viti antimanomissione con una chiave Resistorx® TR20.
9. Collegare il cavo di rete all'unità telecamera.
10. Allontanare le molle del casing dell'unità e fissare l'unità telecamera in posizione.

Regolazione dell'angolo della telecamera

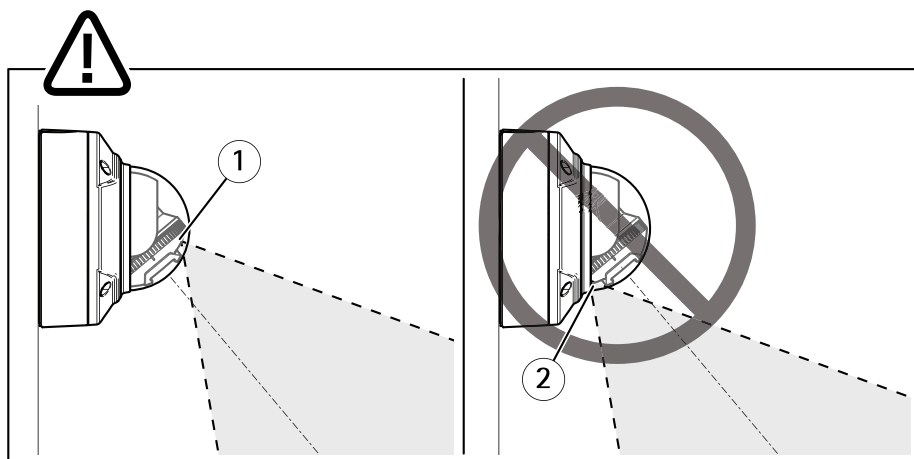


1. Inclinare e ruotare la telecamera per regolarne l'angolo. La telecamera può ruotare di 360° e può inclinarsi da -80° a 80°.

AXIS Q3517-LV Network Camera



2. Ruotare la telecamera per regolarne l'angolo. La telecamera può ruotare di $\pm 175^\circ$.

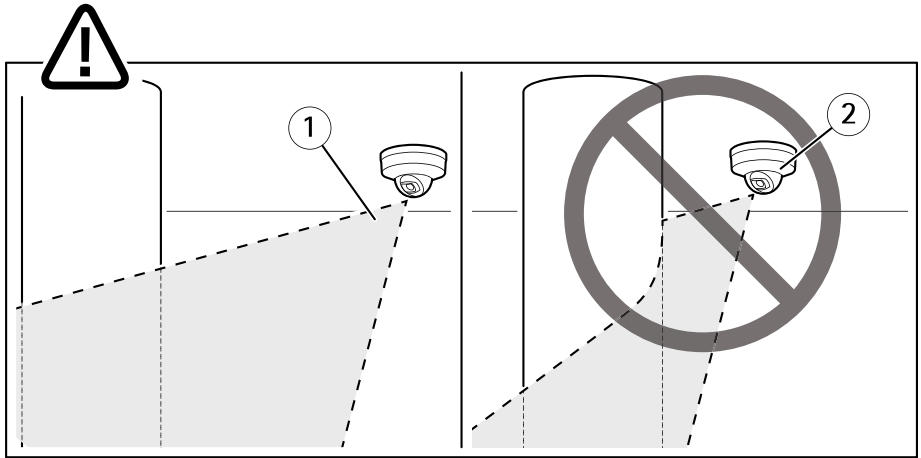


- 1 Il LED a infrarossi è posizionato correttamente.
- 2 Il LED a infrarossi è bloccato dalla copertura a cupola.

3. Posizionare la copertura a cupola sulla telecamera senza collegare le viti.
4. Verificare che il LED a infrarossi non sia bloccato dalla copertura a cupola.

Nota

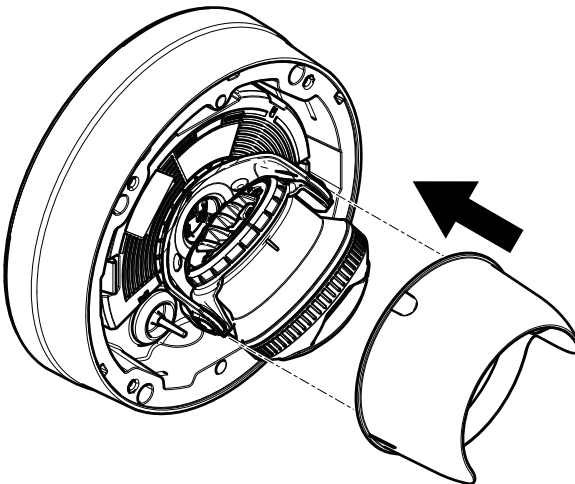
È importante posizionare la telecamera ad un'angolo in modo che la luce del LED a infrarossi non si rifletta sulla telecamera.



- 1 Il LED a infrarossi non illumina nelle vicinanze riflettendo sulla superficie.
- 2 La telecamera è posizionata troppo vicino per riflettere la superficie.

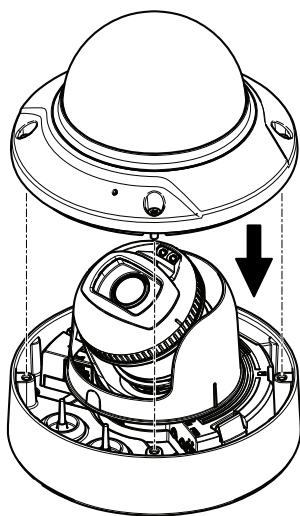
IT

Fissaggio della protezione della visualizzazione



1. Fissare la protezione della visualizzazione all'unità telecamera.
2. Rimuovere la protezione della visualizzazione premendo nella parte superiore e inferiore.

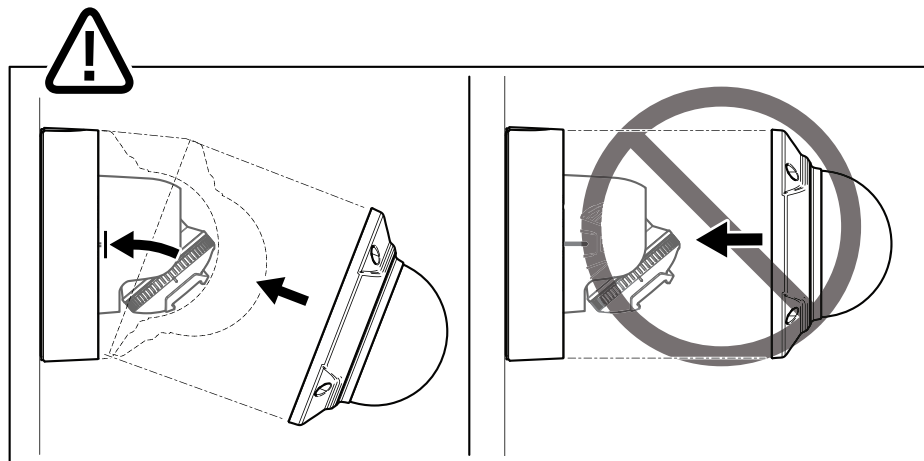
Fissaggio della copertura a cupola



1. Fissare la copertura a cupola al casing dell'unità con la chiave Resistorx® TR20.

Nota

Fissare la copertura a cupola a un'angolo per mantenere la posizione dell'obiettivo della telecamera.



2. Rimuovere la pellicola protettiva dalla copertura a cupola.

Come accedere al dispositivo

AXIS IP Utility e AXIS Camera Management sono i metodi consigliati per trovare i dispositivi Axis in rete e assegnare loro un indirizzo IP in Windows®. Queste applicazioni sono entrambe gratuite e possono essere scaricate da www.axis.com/support

Il dispositivo può essere utilizzato con la maggior parte dei sistemi operativi e dei browser. I browser consigliati sono i seguenti:

- Internet Explorer® con Windows®
- Safari® con OS X®
- Chrome™ o Firefox® con altri sistemi operativi.

Per ulteriori informazioni sull'utilizzo del dispositivo, consultare la guida per l'utente disponibile sul sito Web www.axis.com

IT

Modalità di regolazione della messa a fuoco e dello zoom

1. Andare alla scheda **Image (Immagine)** sulla pagina Web del dispositivo.
2. Fare clic su **Autofocus (Messa a fuoco automatica)**.
3. Fare clic su **Autofocus (Messa a fuoco automatica)**.

Modalità di ripristino dei valori predefiniti di fabbrica

Modalità di ripristino dei valori predefiniti di fabbrica

Importante

Il ripristino delle impostazioni predefinite di fabbrica deve essere utilizzato con cautela. Tale operazione consentirà di ripristinare le impostazioni di fabbrica per tutti i parametri, incluso l'indirizzo IP.

Per ripristinare il dispositivo alle impostazioni predefinite di fabbrica:

1. Scollegare l'alimentazione dal dispositivo.
2. Tenere premuto il pulsante di comando quando si ricollega l'alimentazione. Consultare *Panoramica del dispositivo alla pagina 84*.
3. Tenere premuto il pulsante di comando per 15-30 secondi finché l'indicatore LED di stato non lampeggia in giallo.
4. Rilasciare il pulsante di comando. Il processo è completo quando l'indicatore del LED di stato diventerà verde. Il dispositivo è stato reimpostato alle impostazioni di fabbrica predefinite. Se nessun server DHCP è disponibile in rete, l'indirizzo IP predefinito è 192.168.0.90
5. Utilizzare gli strumenti per l'installazione e la gestione del software per assegnare un indirizzo IP, impostare la password e accedere al flusso video.

Gli strumenti per l'installazione e la gestione del software sono disponibili nelle pagine dedicate all'assistenza sul sito Web www.axis.com/support

Ulteriori Informazioni

- Per la versione più recente di questo documento, visitare il sito all'indirizzo www.axis.com
- Il manuale per l'utente è disponibile all'indirizzo www.axis.com
- Per verificare se sono stati pubblicati aggiornamenti del firmware per il proprio dispositivo, vedere www.axis.com/support
- Per servizi di formazione utili e webinar, visita il sito www.axis.com/academy

Accessori opzionali

Per un elenco completo degli accessori disponibili per questo dispositivo, andare al sito www.axis.com

Specifiche tecniche

Per la versione più aggiornata della scheda tecnica, visitare il sito www.axis.com > prodotto > Supporto e documentazione.

Indicatori LED

Nota

- Il LED di stato può essere configurato per lampeggiare quando un evento è attivo.

LED di stato	Indicazione
Spento	Connessione e funzionamento normale.
Verde	Una luce verde fissa per 10 secondi indica il normale funzionamento una volta completato l'avvio.
Giallo	Luce fissa durante l'avvio. Lampeggia durante l'aggiornamento del firmware o il ripristino delle impostazioni predefinite.
Giallo/rosso	Lampeggia in giallo/rosso se il collegamento di rete non è disponibile o è stato perso.

Comportamento del LED di stato e del segnale acustico per l'Assistente di livellamento

Per informazioni sul tasto Funzione utilizzato per il livellamento dell'immagine, vedere *pagina 99*.

Colore	Segnale acustico	Posizione telecamera
Verde fisso	Segnale acustico continuo	Orizzontale
Luce lampeggiante verde	Segnali acustici rapidi	Quasi orizzontale
Luce lampeggiante arancione	Segnali acustici medi	Non orizzontale
Luce lampeggiante rossa	Segnali acustici lenti	Assolutamente non orizzontale

Slot per scheda SD

AWISO

- Rischio di danneggiamento della scheda di memoria. Non utilizzare strumenti appuntiti oppure oggetti metallici e non esercitare eccessiva forza durante l'inserimento o la rimozione della scheda di memoria. Utilizzare le dita per inserire e rimuovere la scheda.

- Rischio di perdita di dati e danneggiamento delle registrazioni. Non rimuovere la scheda di memoria mentre il dispositivo è in funzione. Scollegare l'alimentazione oppure smontare la scheda di memoria dalle pagine Web del dispositivo prima di rimuoverla.

Questo dispositivo supporta schede microSD/microSDHC/microSDXC (scheda di memoria non inclusa).

Per i consigli sulla scheda SD, visitare il sito Web www.axis.com.

Pulsanti

Pulsante di comando

Per l'ubicazione del pulsante di comando, vedere *Panoramica del dispositivo alla pagina 84*.

Il pulsante di comando viene utilizzato per:

- Ripristino del dispositivo alle impostazioni predefinite di fabbrica. Consultare *pagina 96*.
- Collegamento a un servizio AXIS Video Hosting System o AXIS Internet Dynamic DNS Service. Per ulteriori informazioni su tali servizi, vedere www.axis.com.

Tasto Funzione

Il tasto Funzione può essere utilizzato per più finalità:

- **Assistente di livellamento** – Questa funzione consente di garantire che l'immagine sia in posizione orizzontale. Premere il pulsante per circa 2 secondi per avviare l'Assistente di livellamento, premerlo nuovamente per interrompere la funzione. Il LED di stato (consultare *pagina 98*) e il segnale acustico sono di ausilio nel livellamento dell'immagine. L'immagine è in posizione orizzontale quando il segnale acustico è continuo.
- **Per visualizzare il LED di stato** – Premere il pulsante una volta per accendere i LED di stato. Premerlo di nuovo per spegnerli. I LED si spegneranno in modo automatico dopo 10 secondi.

Connettori

Connettore di rete

Connettore Ethernet RJ45 con Power over Ethernet (PoE+).

AVVISO

A causa di normative locali o condizioni ambientali ed elettriche in cui il dispositivo deve essere utilizzato, può essere opportuno o necessario l'utilizzo di un cavo di rete schermato (STP). Tutti i cavi di rete del dispositivo posizionati all'aperto o in ambienti elettrici in condizioni difficili sono destinati al loro uso specifico. Accertarsi che i dispositivi di rete

AXIS Q3517-LV Network Camera

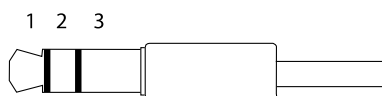
siano installati secondo le istruzioni del produttore. Per maggiori informazioni sui requisiti normativi, consultare *Electromagnetic compatibility (EMC) on page 4*.

Connettore audio

Il dispositivo Axis dispone dei seguenti connettori audio:

- **Ingresso audio (rosa)** - Ingresso audio da 3,5 mm per microfono in mono o segnale mono line-in.
- **Uscita audio (verde)**: uscita audio da 3,5 mm (livello di linea) che può essere connessa a un sistema di indirizzo pubblico (PA) o a un altoparlante attivo con amplificatore integrato. Si consiglia di utilizzare un connettore stereo per l'uscita audio.

Connettori audio da
3,5 mm (stereo)



	1 Punta	2 Anello	3 Guaina
Ingresso audio	Ingresso microfono/linea	Tensione polarizzazione del microfono	Terra
Uscita audio	Uscita linea, mono	Uscita linea, mono	Terra

Connettori I/O

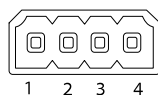
Utilizzare il connettore I/O con dispositivi esterni in combinazione con, ad esempio, allarmi antimanomissione, rilevamento movimento, attivazione di eventi e notifiche di allarme. Oltre al punto di riferimento 0 V CC e all'alimentazione (uscita CC), il connettore I/O fornisce l'interfaccia per:

Uscita digitale - Per collegare dispositivi esterni come relè o LED. I dispositivi collegati possono essere attivati tramite l'API (interfaccia per la programmazione di applicazioni) VAPIX® oppure nella pagina Web del dispositivo.

Ingresso digitale - Per collegare i dispositivi che possono passare dal circuito chiuso al circuito aperto, ad esempio i sensori PIR, i contatti porta/finestra e i rilevatori di rottura.

Ingresso supervisionato - Consente di rilevare le manomissioni su un input digitale.

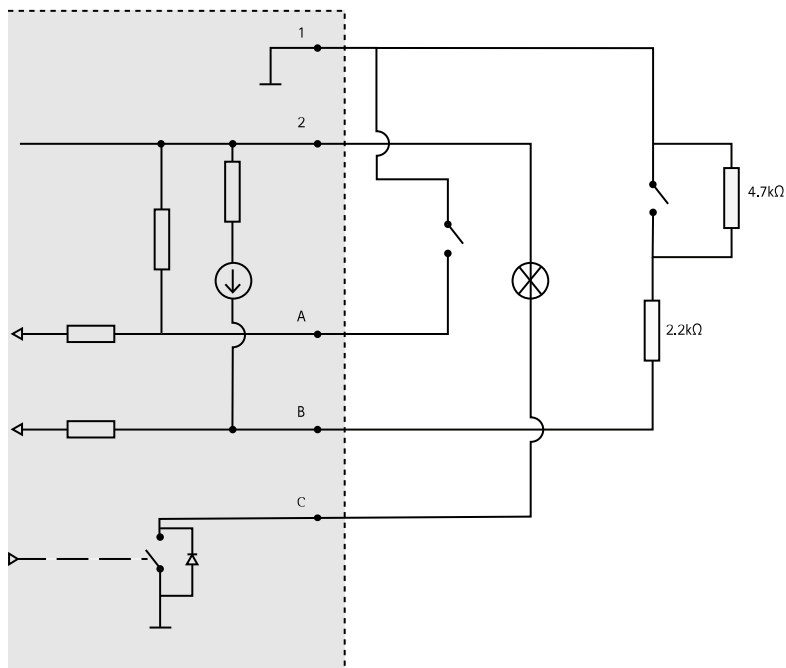
Morsettiera a 4 pin



AXIS Q3517-LV Network Camera

Funzione	Pin	Note	Specifiche
0 V CC (-)	1	Terra CC	0 V CC
Uscita CC	2	Può essere utilizzato per alimentare una periferica ausiliaria. Nota: questo pin può essere usato solo come uscita alimentazione.	12 V CC Carico massimo = 50 mA
Configurabile (ingresso o uscita)	3-4	Ingresso digitale - collegare al pin 1 per attivarlo oppure lasciarlo isolato (scollegato) per disattivarlo.	da 0 a max 30 V CC
		Uscita digitale - Collegare al pin 1 quando attiva, isolata (scollegata) quando inattiva. Se utilizzata con un carico induttivo, ad esempio un relè esterno, è necessario collegare un diodo in parallelo al carico per proteggere il dispositivo da sovratensioni.	Da 0 a max 30 V CC, open-drain, 100 mA
		Ingressi supervisionati: per utilizzare ingressi supervisionati, installare resistori terminali. Vedere il diagramma di connessione per informazioni su come collegare i resistori.	Da 0 a max 30 V CC

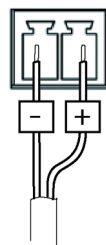
IT



- 1 0 V CC (-)
- 2 Uscita CC 12 V, max 50 mA
- A I/O configurato come input
- B I/O configurato come ingresso supervisionato
- C I/O configurato come output

Connettore di alimentazione

Morsettiera a 2 pin per ingresso alimentazione CC. Utilizzare una sorgente di alimentazione limitata (LPS) compatibile con una bassissima tensione di sicurezza (SELV) con una potenza di uscita nominale limitata a ≤ 100 W o una corrente nominale di uscita limitata a ≤ 5 A.



Condizioni di funzionamento

Il dispositivo Axis è destinato all'uso interno.

Dispositivo	Classificazione	Temperatura	Umidità
AXIS Q3517-LV	IEC 60529 IP52	Da -10 °C a 60 °C (da 14 °F a 122 °F)	10-85% umidità relativa

Consumo energetico

Dispositivo	Power over Ethernet (PoE)	CC
AXIS Q3517-LV	IEEE 802.3af/802.3at Tipo 1, Classe 3 Tipico 6,5 W Max 12,9 W	Tipico 6,9 W Max 14,5 W

IT

Informazioni di sicurezza

Livelli di pericolo

▲PERICOLO

Indica una situazione pericolosa che, se non evitata, provoca morte o lesioni gravi.

▲AVVERTENZA

Indica una situazione pericolosa che, se non evitata, potrebbe provocare la morte o lesioni gravi.

▲ATTENZIONE

Indica una situazione pericolosa che, se non evitata, potrebbe provocare lesioni medie o minori.

AWISO

Indica una situazione che, se non evitata, potrebbe danneggiare la proprietà.

IT

Altri livelli di messaggio

Importante

Indica informazioni importanti, essenziali per il corretto funzionamento del dispositivo.

Nota

Indica informazioni utili che aiutano a ottenere il massimo dal dispositivo.

Informazioni di sicurezza

AWISO

- Il dispositivo Axis deve essere utilizzato in conformità alle leggi e alle disposizioni locali.
- Axis consiglia l'uso di un cavo di rete schermato (STP) CAT5 o superiore.
- Per utilizzare il dispositivo Axis in ambienti esterni o in ambienti simili, deve essere installato in una custodia per esterni approvata.
- Conservare il dispositivo Axis in un ambiente asciutto e ventilato.
- Evitare di esporre il dispositivo Axis a urti o pressioni eccessive.
- Non installare il dispositivo su supporti, superfici, pareti o pali instabili.
- Utilizzare solo strumenti applicabili quando si installa il dispositivo Axis. Se si utilizza una forza eccessiva con strumenti non adatti è possibile causare danni al dispositivo.
- Non utilizzare sostanze chimiche, agenti caustici o detergenti aerosol.
- Utilizzare un panno pulito inumidito in acqua pura per la pulizia.
- Utilizzare solo accessori compatibili con le specifiche tecniche del dispositivo. Questi possono essere forniti da Axis o da terze parti. Axis consiglia l'uso dell'apparecchiatura di alimentazione Axis compatibile con il dispositivo.
- Utilizzare solo parti di ricambio fornite o consigliate da Axis.
- Non tentare di riparare il dispositivo da soli. Contattare l'assistenza o il rivenditore Axis per questioni relative alla manutenzione.

Trasporto

AWISO

- Durante il trasporto del dispositivo Axis, utilizzare l'imballaggio originale o equivalente per evitare danni al dispositivo.

Batteria

Il dispositivo Axis utilizza una batteria al litio da 3,0 V CR2032 come alimentazione per il suo real-time clock (RTC) interno. In condizioni normali questa batteria avrà una durata minima di cinque anni.

Una bassa carica della batteria influisce sul funzionamento del RTC, facendolo resettare a ogni accensione. Quando la batteria deve essere sostituita, un messaggio di registro viene visualizzato nel report server del dispositivo. Per ulteriori informazioni sul report server, vedere le pagine di configurazione del dispositivo o contattare l'assistenza Axis.

La batteria non deve essere sostituita se non richiesto, ma nel caso in cui questo fosse necessario, contattare il supporto Axis all'indirizzo www.axis.com/support per assistenza.

Batteria a bottone al litio 3,0 V contengono 1,2-dimetossietano; etere dimetilico di glicole etilenico (EGDME), CAS n. 110-71-4.

▲AVVERTENZA

- Rischio di esplosione se la batteria viene sostituita in modo errato.
- Sostituire solo con una batteria identica o una batteria consigliata da Axis.
- Smaltire le batterie usate in base alle normative locali o alle istruzioni del produttore della batteria.

Cupola di protezione

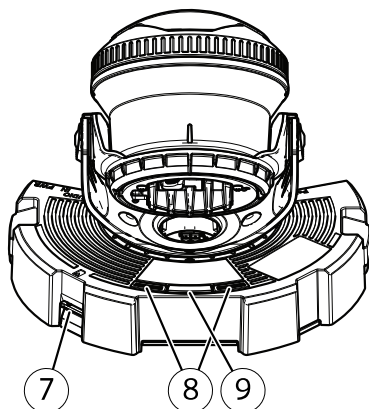
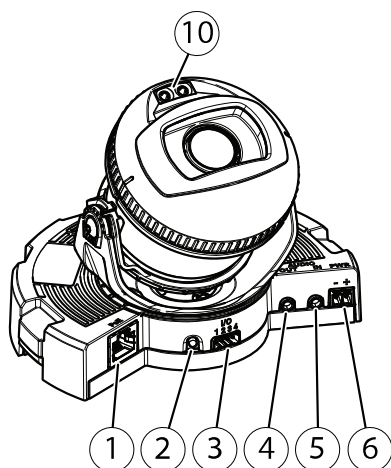
AVVISO

- Fare attenzione a non graffiare, danneggiare o lasciare impronte sulla cupola di protezione, perché potrebbe diminuire la qualità dell'immagine. Se possibile, tenere la protezione in plastica sulla cupola fino a quando l'installazione non sarà completata.
- Non pulire la cupola di protezione quando allo sguardo risulta pulita e non lucidare la superficie. Una pulizia eccessiva potrebbe danneggiare la superficie.
- Per la pulizia generale della cupola di protezione, si consiglia di utilizzare un sapone neutro o detergente non abrasivo con acqua pura e un panno morbido e pulito. Sciacquare bene con acqua pura tiepida. Asciugare con un panno morbido e pulito per evitare macchie d'acqua.
- Non usare mai detergenti aggressivi, benzina, benzene o acetone ecc ed evitare di pulire la cupola alla luce diretta del sole o a temperature elevate.

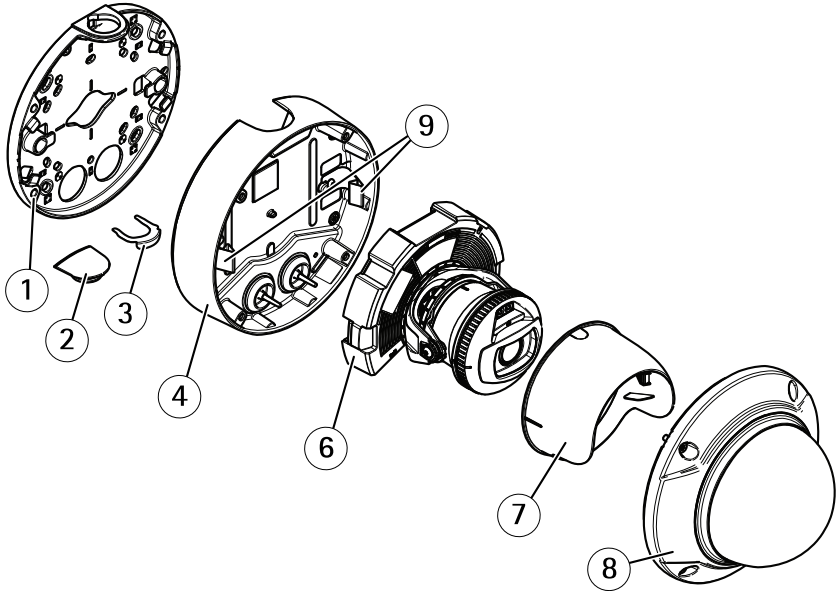
Contenido del paquete

- Cámara domo de red fija AXIS Q3517-LV
- Llave L Resistorx® TR20
- Conector de CC
- Kit de conector de E/S
- Juntas de cable adicionales
 - Junta de cable M20 5 mm (para cables con diámetro de 5-10 mm)
 - Kit de juntas M20 3 mm (para cables con diámetro de 3-5 mm)
- Protector del conector
- Materiales impresos
 - Guía de instalación (este documento)
 - Plantilla de perforado
 - Etiquetas adicionales con el número de serie (2)
 - Clave de autenticación AVHS

Información general del producto

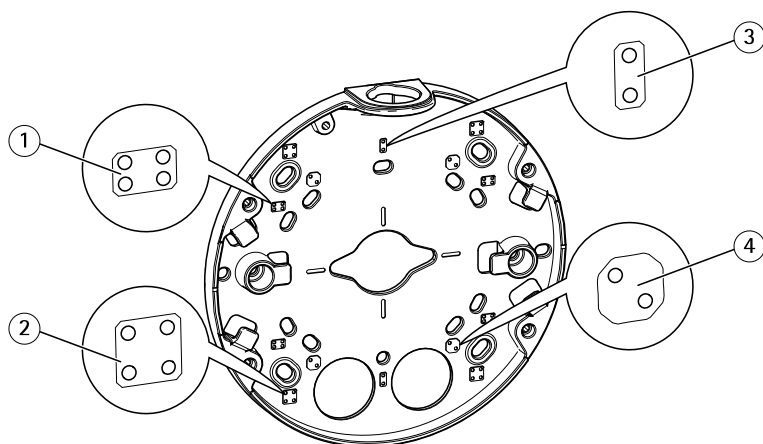


- 1 Conector de red
- 2 Botón de control
- 3 Conector de E/S
- 4 Salida de audio
- 5 Entrada de audio
- 6 Conector de CC
- 7 Ranura para tarjetas SD
- 8 LED de estado (2)
- 9 Botón de función
- 10 LED IR (2)



- 1 Soporte de montaje
- 2 Tapa lateral
- 3 Clip de bloqueo
- 4 Carcasa de la unidad
- 5 Muelles
- 6 Unidad de cámara
- 7 Protector visual
- 8 Cubierta del domo

Soporte de montaje



- 1 Caja de conexiones de salida doble de tamaño estándar para EE. UU.
- 2 Caja cuadrada de 10,16 cm
- 3 Caja de conexiones de salida única de tamaño estándar para EE. UU.
- 4 Caja octogonal de 10,16 cm

El soporte de montaje cuenta con cuatro diseños de montaje estándar.

Cómo instalar el producto

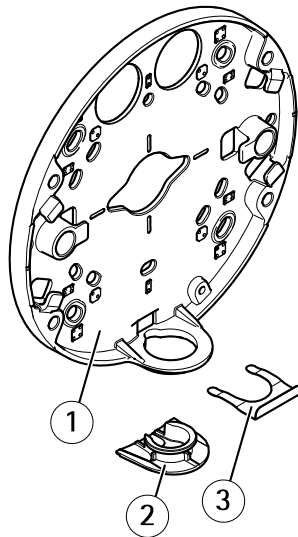
Instalación del hardware

Guía de los cables

- Si desea guiar los cables a lo largo de la pared, consulte *página 113*.
- Si desea guiar los cables a través de la pared, consulte *página 114*.
- Si va a fijar un tubo al soporte de montaje, consulte *página 115*

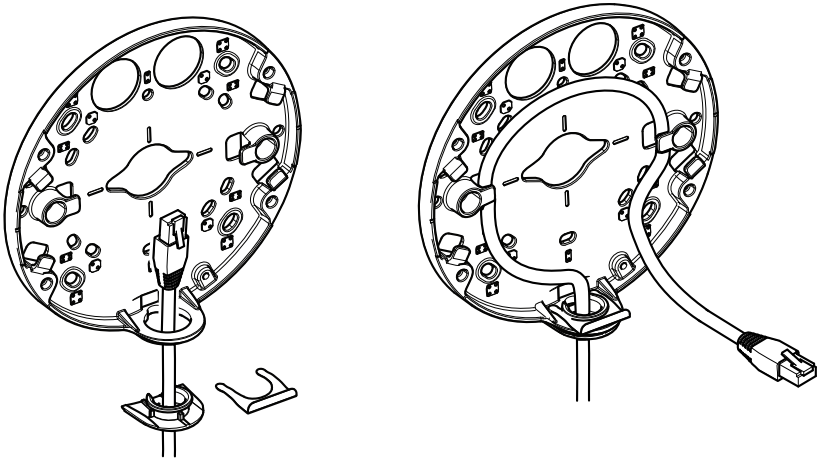
Tendido de los cables a lo largo de la pared

1. Utilice la plantilla de perforado para realizar cuatro orificios para el soporte de montaje.
2. Fije el soporte de montaje a la pared con los tornillos adecuados.



- 1 Soporte de montaje
- 2 Tapa lateral
- 3 Clip de bloqueo

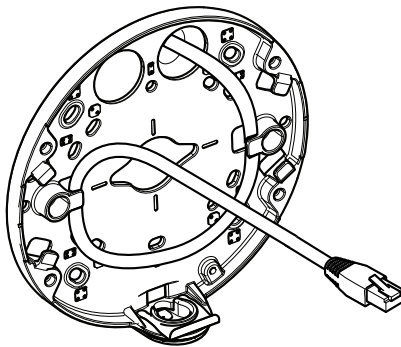
3. Retire el clip de bloqueo y la tapa lateral.
4. Perfore un orificio en la tapa lateral para el cable.



5. Guíe el cable a través del orificio de la tapa lateral.
6. Fije la tapa lateral al soporte de montaje con el clip de bloqueo.
7. Enrolle el cable de red a lo largo de las muescas del soporte de montaje para dejar una longitud de cable adicional que podría necesitarse más adelante.

Tendido de los cables a través de la pared

1. Utilice la plantilla de perforado para realizar cuatro orificios para el soporte de montaje y un orificio para cada cable.
2. Fije el soporte de montaje a la pared con los tornillos adecuados.

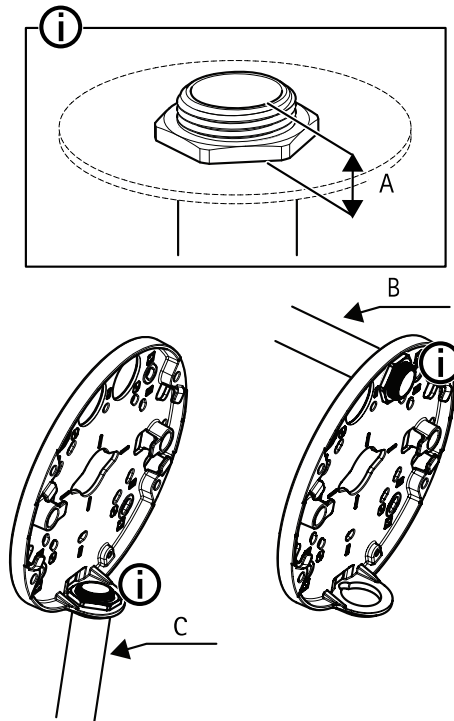


3. Guíe el cable de red a través de la pared y del soporte de montaje.

4. Enrolle el cable de red a lo largo de las muescas del soporte de montaje para dejar una longitud de cable adicional que podría necesitarse más adelante.

Tendido de los cables a través de un tubo

1. Utilice la plantilla de perforado para realizar cuatro orificios en el soporte de montaje y uno en el tubo si se fija a través de la parte posterior del soporte de montaje.
2. Fije el soporte de montaje a la pared con los tornillos adecuados.



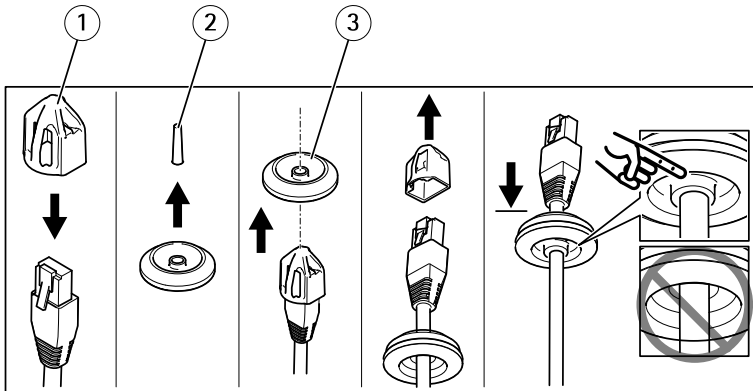
- A 8 mm máximo
- B Tubo de 3/4"
- C Tubo de 1/2"

3. Fije el tubo con la tuerca de bloqueo utilizando fijador de roscas Loctite® entre la tuerca y las roscas del tubo.
4. Compruebe que la distancia A se encuentra dentro de los límites.
5. Guíe el cable a través del tubo.

6. Enrolle el cable de red a lo largo de las muescas del soporte de montaje para dejar una longitud de cable adicional que podría necesitarse más adelante.

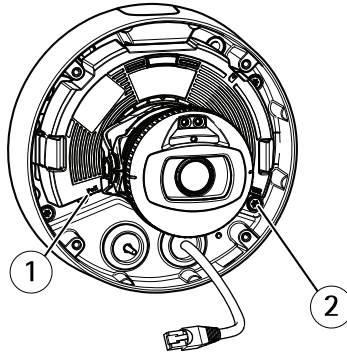
Conexión de los cables y fijación de la carcasa de la unidad al soporte de montaje

1. Inserte una tarjeta SD en la unidad de la cámara (opcional).



- 1 *Protector del conector*
- 2 *Lengüeta*
- 3 *Junta de cable*

2. Acople el protector del conector al cable de red.
3. Tire de la lengüeta a través de la junta de cable más alejada del conector de red de la unidad de la cámara.
4. Empuje el cable de red a través de la junta de cable.
5. Retire el protector del conector del cable de red.
6. Guíe el cable de red a través de la junta de cable.
7. Tire del cable de red hacia atrás suavemente de manera que la junta de cable se ajuste en el cable.

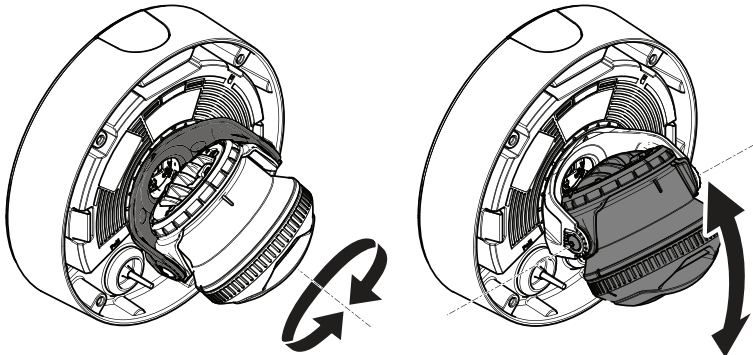


- 1 Conector de red
- 2 Tornillo a prueba de manipulaciones

8. Fije la carcasa de la unidad al soporte de montaje apretando los cuatro tornillos a prueba de manipulaciones utilizando una llave Resistorx® TR20.
9. Conecte el cable de red a la unidad de cámara.
10. Separe los muelles de la carcasa de la unidad y fije la unidad de la cámara a la carcasa de la unidad.

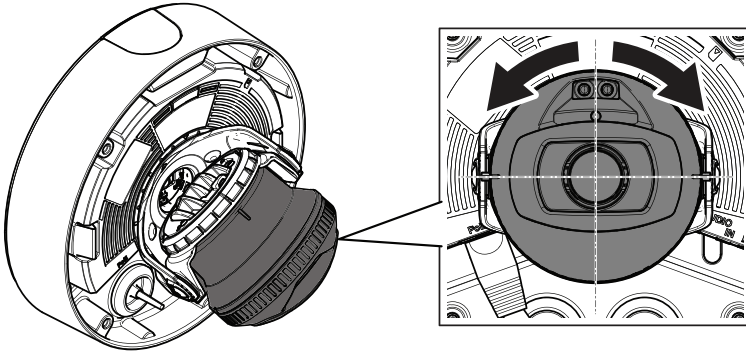
ES

Ajuste del ángulo de la cámara

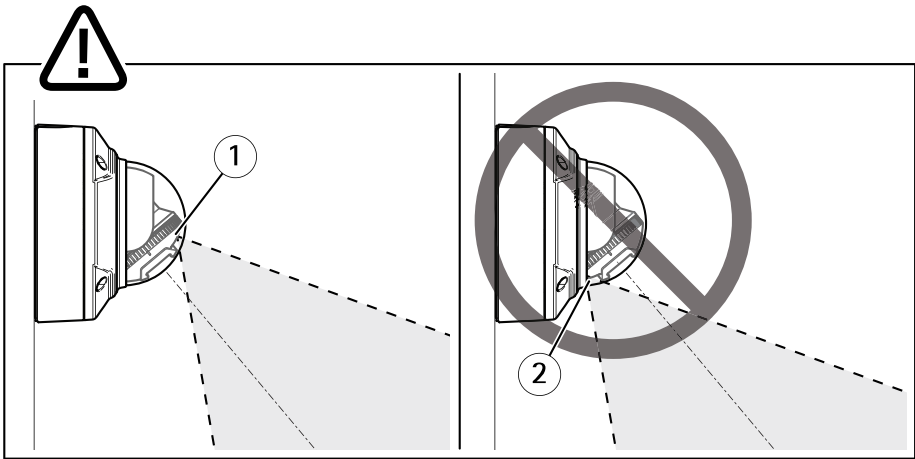


1. Mueva la cámara en horizontal y vertical para ajustar el ángulo. La cámara puede moverse 360° en horizontal y de -80° a 80° en vertical.

AXIS Q3517-LV Network Camera



2. Gire la cámara para ajustar el ángulo. La cámara puede girar $\pm 175^\circ$.

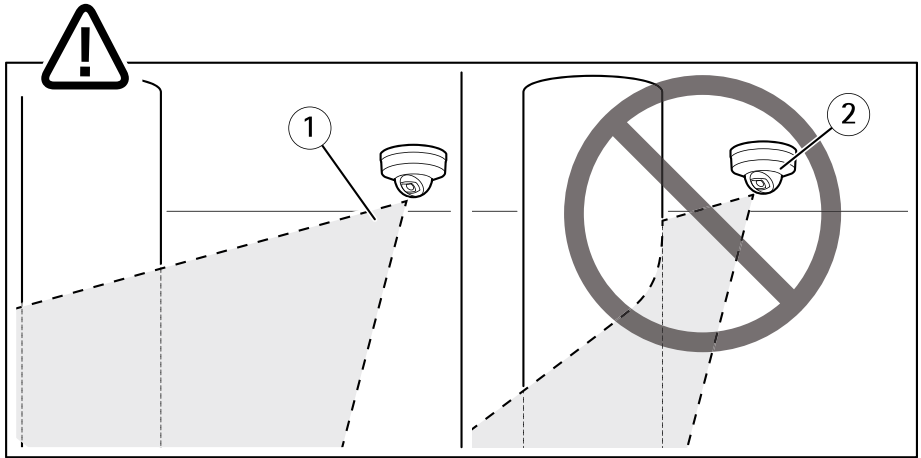


- 1 LED IR colocados correctamente.
- 2 LED IR bloqueados por la cubierta del domo.

3. Coloque la cubierta del domo sobre la cámara sin fijar los tornillos.
4. Compruebe que los LED IR no estén bloqueados por la cubierta del domo.

Nota

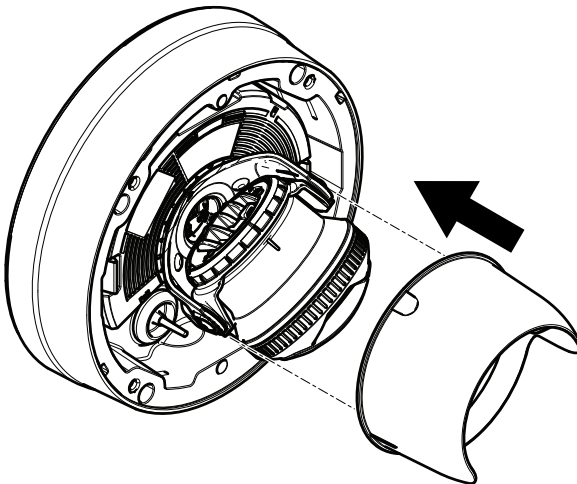
Es importante colocar la cámara en un ángulo de manera que la luz de los LED IR no se refleje en la cámara.



- 1 LED IR no iluminando cerca de la superficie reflectante.
- 2 Camera colocada demasiado cerca de la superficie reflectante.

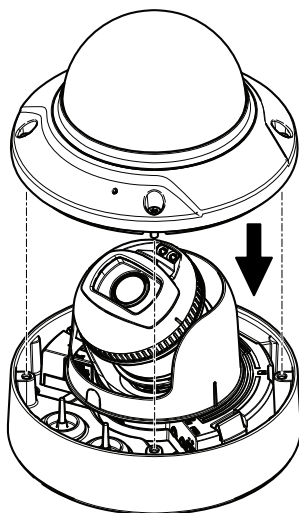
ES

Colocación del protector visual



1. Fije el protector visual a la unidad de la cámara.
2. Retire el protector visual presionando en la parte superior e inferior.

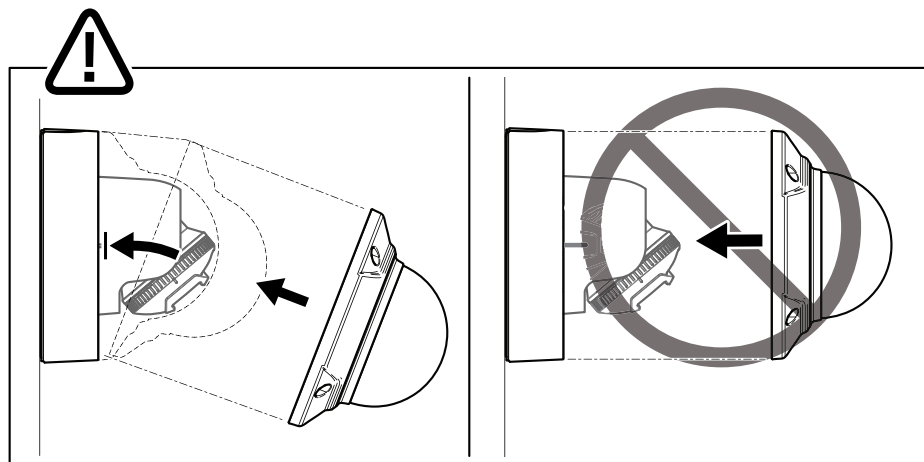
Colocación de la cubierta del domo



1. Fije la cubierta del domo a la carcasa de la unidad con la llave Resistorx® TR20.

Nota

Fije la cubierta del domo en un ángulo que mantenga la posición del objetivo de la cámara.



2. Retire la película protectora de la cubierta del domo.

Cómo acceder al producto

Se recomiendan AXIS IP Utility y AXIS Camera Management como métodos para buscar los productos de Axis en la red y asignarles direcciones IP en Windows®. Ambas aplicaciones son gratuitas y pueden descargarse de www.axis.com/support

El producto se puede utilizar con la mayoría de los sistemas operativos y navegadores. Los navegadores recomendados son:

- Internet Explorer® con Windows®
- Safari® con OS X®
- Chrome™ o Firefox® con otros sistemas operativos.

Para obtener más información sobre el uso del producto, consulte el manual del usuario, disponible en www.axis.com.

ES

Cómo ajustar el enfoque y el zoom

1. Vaya a la pestaña **Image (Imagen)** en la página web del producto.
2. Haga clic en **Autofocus (Enfoque automático)**.
3. Haga clic en **Autofocus (Enfoque automático)**.

Cómo restablecer la configuración predeterminada de fábrica

Cómo restablecer los ajustes predeterminados de fábrica

Importante

Es preciso tener cuidado si se va a restablecer los ajustes predeterminados de fábrica. Todos los valores, incluida la dirección IP, se restablecerán a la configuración predeterminada de fábrica.

Para restablecer el producto a la configuración predeterminada de fábrica:

1. Desconecte la alimentación del producto.
2. Mantenga pulsado el botón de control mientras vuelve a conectar la alimentación. Consulte *Información general del producto en la página 110*.
3. Mantenga pulsado el botón de control durante 15-30 segundos hasta que el indicador LED de estado parpadee en ámbar.
4. Suelte el botón de control. El proceso finaliza cuando el indicador LED de estado se pone verde. El producto se ha restablecido a la configuración predeterminada de fábrica. Si no hay ningún servidor DHCP disponible en la red, la dirección IP predeterminada es 192.168.0.90.
5. Utilice las herramientas del software de instalación y gestión para asignar una dirección IP, establecer la contraseña y acceder a la transmisión de vídeo.

Las herramientas del software de instalación y gestión están disponibles en las páginas de servicio técnico en www.axis.com/support.

Más información

- Para consultar la versión más reciente de este documento, vaya a www.axis.com
- El manual de usuario se encuentra disponible en www.axis.com.
- Para comprobar si existe un firmware actualizado disponible para su producto, vaya a www.axis.com/support
- Para consultar seminarios web y cursos en línea que pueden resultarle útiles, vaya a www.axis.com/academy

Accesorios opcionales

Para conocer una lista completa de los accesorios disponibles para este producto, vaya a www.axis.com

Especificaciones técnicas

Para acceder a la versión más reciente de la hoja de datos, visite www.axis.com > productos > soporte técnico y documentación.

Indicadores LED

Nota

- Se puede configurar el LED Estado para que parpadee mientras haya un evento activo.

LED de estado	Indicación
Apagado	Conexión y funcionamiento normal.
Verde	Se muestra fijo durante diez segundos para indicar un funcionamiento normal después de completar el inicio.
Ámbar	Fijo durante el inicio. Parpadea en verde durante la actualización del firmware o el restablecimiento a la configuración predeterminada de fábrica.
Ámbar/rojo	Parpadea en ámbar/rojo si la conexión a la red no está disponible o se ha perdido.

Comportamiento del indicador LED de estado y la señal del avisador acústico con el Asistente de nivelación

Para obtener información sobre el botón de función que se usa para nivelar la imagen, consulte *página 125*.

Color	Avisador acústico	Posición de la cámara
Verde continuo	Sonido continuo	Nivelada
Verde parpadeante	Sonidos rápidos	Casi nivelada
Ámbar parpadeante	Sonidos a velocidad media	No nivelada
Rojo parpadeante	Sonidos lentos	En absoluto nivelada

Ranura para tarjetas SD

AVISO

- Riesgo de daños en la tarjeta SD. No emplee herramientas afiladas, objetos de metal ni demasiada fuerza al insertar o extraer la tarjeta SD. Utilice los dedos para insertar o extraer la tarjeta.

- Riesgo de pérdida de datos y grabaciones dañadas. No extraiga la tarjeta SD mientras el producto esté en funcionamiento. Desconecte la alimentación o desinstale la tarjeta SD desde la página web de producto antes de retirarla.

Este producto admite tarjetas microSD/microSDHC/microSDXC (no incluidas).

Para conocer las recomendaciones de tarjeta SD, consulte www.axis.com.

Botones

Botón de control

Para conocer la ubicación del botón de control, consulte *Información general del producto en la página 110*.

El botón de control se utiliza para lo siguiente:

- Restablecer el producto a la configuración predeterminada de fábrica. Consulte *página 122*.
- Conectarse a un servicio AXIS Video Hosting System o al Servicio de DNS dinámico de Internet de AXIS. Para obtener más información acerca de estos servicios, visite www.axis.com.

ES

Botón de función

El botón de función tiene diversas utilidades:

- **Como asistente de nivelación:** Esta función ayuda a garantizar que la imagen esté nivelada. Presione el botón durante 2 segundos aproximadamente para iniciar el asistente de nivelación y vuelva a presionarlo para detenerlo. El indicador LED de estado (consulte *página 124*) y la señal del avisador acústico ayudan a nivelar la imagen. La imagen está nivelada cuando el avisador acústico emite un sonido continuo.
- **Para ver el LED de estado:** Pulse el botón una vez para iluminar los LED de estado. Púlselo de nuevo para apagarlos. Los LED se apagarán automáticamente después de 10 segundos.

Conectores

Conector de red

Conector Ethernet RJ45 con alimentación a través de Ethernet (PoE).

AVISO

Debido a la normativa local o a las condiciones ambientales y eléctricas en las que se vaya a utilizar el producto, puede que sea adecuado u obligatorio el uso de un cable de red blindado (STP). Todos los cables que conectan el producto a la red y que se utilicen en

AXIS Q3517–LV Network Camera

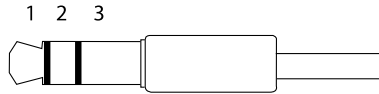
exteriores o en entornos eléctricos exigentes deberán estar blindados y diseñados para su uso específico. Asegúrese de que los dispositivos de red estén instalados de conformidad con las instrucciones del fabricante. Para obtener información sobre los requisitos normativos, vea *Electromagnetic compatibility (EMC) on page 4*.

Conector de audio

El producto de Axis integra los siguientes conectores de audio:

- **Entrada de audio (rosa):** entrada de 3,5 mm para micrófono mono, o entrada de línea de señal mono.
- **Salida de audio (verde):** salida para audio (nivel de línea) de 3,5 mm que se puede conectar a un sistema de megafonía pública o a un altavoz con amplificador incorporado. Se recomienda utilizar un conector estéreo para la salida de audio.

Conectores de audio de 3,5 mm (estéreo)



	1 Punta	2 Anillo	3 Manguito
Entrada de audio	Entrada de línea/micrófono	Tensión de polarización del micrófono	Tierra
Salida de audio	Salida de línea (mono)	Salida de línea (mono)	Tierra

Conectores de E/S

Utilice el conector de E/S con dispositivos externos en combinación con alarmas antimanipulación, detección de movimiento, activación de eventos y notificaciones de alarma, por ejemplo. Además del punto de referencia de 0 V CC y la alimentación (salida de CC), el conector de E/S ofrece una interfaz para:

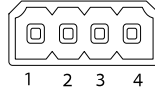
Salida digital – Conectar dispositivos externos como relés y LED. Los dispositivos conectados se pueden activar mediante la interfaz de programación de aplicaciones VAPIX® o en la página web del producto.

Entrada digital – Conectar dispositivos que puedan alternar entre circuitos cerrados y abiertos, por ejemplo, sensores PIR, contactos de puertas y ventanas o detectores de cristales rotos.

Entrada supervisada – Permite detectar la manipulación de una señal digital.

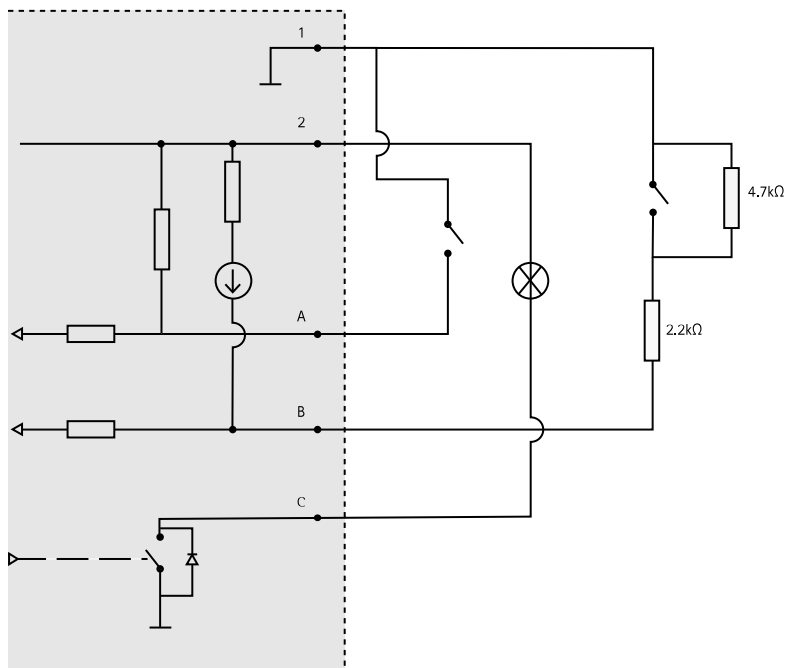
AXIS Q3517–LV Network Camera

Bloque de terminales de 4 pines



Función	Pin	Notas	Especificaciones
0 V CC (-)	1	Tierra CC	0 V CC
Salida de CC	2	Se puede utilizar para conectar el equipo auxiliar. Nota: Este pin solo se puede utilizar como salida de alimentación.	12 V CC Carga máx. = 50 mA
Configurable (entrada o salida)	3–4	Entrada digital: Conéctela al pin 1 para activarla, o bien déjela suelta (sin conectar) para desactivarla.	0 a 30 V CC máx.
		Salida digital: Conectada al pin 1 cuando se activa, suelta (sin conectar) cuando está desactivada. Si se utiliza con una carga inductiva (por ejemplo, un relé), debe conectarse un diodo en paralelo a la carga como protección ante transitorios de tensión.	De 0 a 30 V CC máx., colector abierto, 100 mA
		Entrada supervisada: para usar entradas supervisadas, instale las resistencias de final de línea. Consulte el diagrama de conexiones para obtener información sobre cómo conectar las resistencias.	0 a 30 V CC máx.

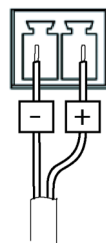
ES



- 1 0 V CC (-)
- 2 Salida de CC 12 V, 50 mA máx.
- A E/S configurada como entrada
- B E/S configurada como entrada supervisada
- C E/S configurada como salida

Conector de alimentación

Bloque de terminales de 2 pines para la entrada de alimentación de CC. Use una fuente de alimentación limitada (LPS) que cumpla los requisitos de seguridad de baja tensión (SELV) con una potencia nominal de salida limitada a ≤ 100 W o una corriente nominal de salida limitada a ≤ 5 A.



Condiciones de funcionamiento

El producto de Axis se ha diseñado para su uso en interior.

Producto	Clasificación	Temperatura	Humedad
AXIS Q3517-LV	IEC 60529 IP52	De -10 °C a 60 °C	Humedad relativa del 10 al 85 %

Consumo de energía

Producto	Alimentación a través de Ethernet (PoE)	CC
AXIS Q3517-LV	IEEE 802.3af/802.3at Tipo 1, Clase 3 6,5 W típicos 12,9 W máx.	6,9 W típicos 14,5 W máx.

ES

Información de seguridad

Niveles de peligro

▲PELIGRO

Indica una situación peligrosa que, si no se evita, provocará lesiones graves o la muerte.

▲ADVERTENCIA

Indica una situación peligrosa que, si no se evita, puede provocar lesiones graves o la muerte.

▲ATENCIÓN

Indica una situación peligrosa que, si no se evita, puede provocar lesiones moderadas o leves.

AVISO

Indica una situación peligrosa que, si no se evita, puede provocar daños materiales.

ES

Otros niveles de mensaje

Importante

Indica información importante que es fundamental para que el producto funcione correctamente.

Nota

Indica información útil que ayuda a aprovechar el producto al máximo.

Instrucciones de seguridad

AVISO

- El producto de Axis debe utilizarse de acuerdo con las leyes y normativas locales.
- Axis recomienda utilizar un cable de red blindado (STP) CAT5 o superior.
- Para usar el producto de Axis en exteriores, o en entornos similares, debe instalarse en una carcasa exterior aprobada.
- Almacene el producto de Axis en un entorno seco y ventilado.
- Evite la exposición del producto de Axis a choques o a una fuerte presión.
- No instale el producto en postes, soportes, superficies o paredes inestables.
- Utilice solo las herramientas correspondientes cuando instale el producto de Axis. La aplicación de una fuerza excesiva con herramientas eléctricas puede provocar daños en el producto.
- No utilice limpiadores en aerosol, agentes cáusticos ni productos químicos.
- Limpie con un paño limpio humedecido con agua pura.
- Utilice solo accesorios que cumplan con las especificaciones técnicas de su producto. Estos accesorios los puede proporcionar Axis o un tercero. Axis recomienda utilizar un equipo de suministro de alimentación de Axis compatible con su producto.
- Utilice solo piezas de repuesto proporcionadas o recomendadas por Axis.
- No intente reparar el producto usted mismo. Póngase en contacto con el servicio de asistencia técnica de Axis o con su distribuidor de Axis para tratar asuntos de reparación.

Transporte

AVISO

- Cuando transporte el producto de Axis, utilice el embalaje original o un equivalente para evitar daños en el producto.

Batería

Este producto de Axis utiliza una batería de litio CR2032 de 3,0 V como fuente de alimentación del reloj interno en tiempo real. En condiciones normales, esta batería durará un mínimo de cinco años.

Un nivel bajo de batería afectará al funcionamiento del reloj en tiempo real, lo que provocará el restablecimiento de este cada vez que se encienda el producto. Cuando sea necesario sustituir la batería, aparecerá un mensaje de registro en el informe del servidor del producto. Para obtener más información sobre el informe del servidor, consulte las páginas de configuración del producto o póngase en contacto con el servicio de asistencia técnica de Axis.

La batería no debe sustituirse a menos que sea necesario; no obstante, si precisa hacerlo, póngase en contacto con el servicio de asistencia técnica de Axis en www.axis.com/support para solicitar ayuda.

Las pilas de botón de litio de 3,0 V contienen 1,2-dimetoxietano; éter dimetilico de etilenglicol (EGDME), n.º CAS 110-71-4.

▲ADVERTENCIA

- La sustitución incorrecta de la batería implica riesgo de explosión.
- Sustituya la batería por una batería idéntica u otra batería recomendada por Axis.
- Deseche las baterías usadas de conformidad con la normativa local o las instrucciones del fabricante.

Cubierta del domo

AVISO

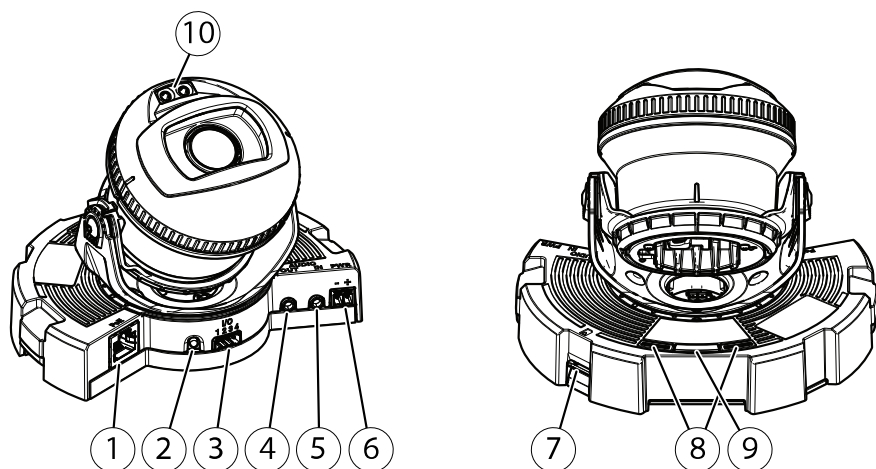
- Preste atención para no arañar, dañar o dejar las huellas en la cubierta del domo, puesto que esto puede provocar una disminución de la calidad de imagen. Si es posible, mantenga el plástico de protección en la cubierta del domo hasta que se complete la instalación.
- No limpie la cubierta del domo si parece a simple vista que está limpia y nunca pule la superficie. Una limpieza excesiva podría dañar la superficie.
- Para realizar un procedimiento de limpieza general de la cubierta del domo se recomienda usar detergente o jabón neutros, sin disolventes y no abrasivos mezclados con agua pura, y un paño suave y limpio. Enjuague bien con agua pura y tibia. Seque con un paño limpio y suave para evitar las manchas de gotas de agua.
- Nunca utilice detergentes abrasivos, gasolina, benceno, acetona, etc. y evite limpiar la cubierta del domo a temperaturas elevadas o en contacto directo con la luz solar.

ES

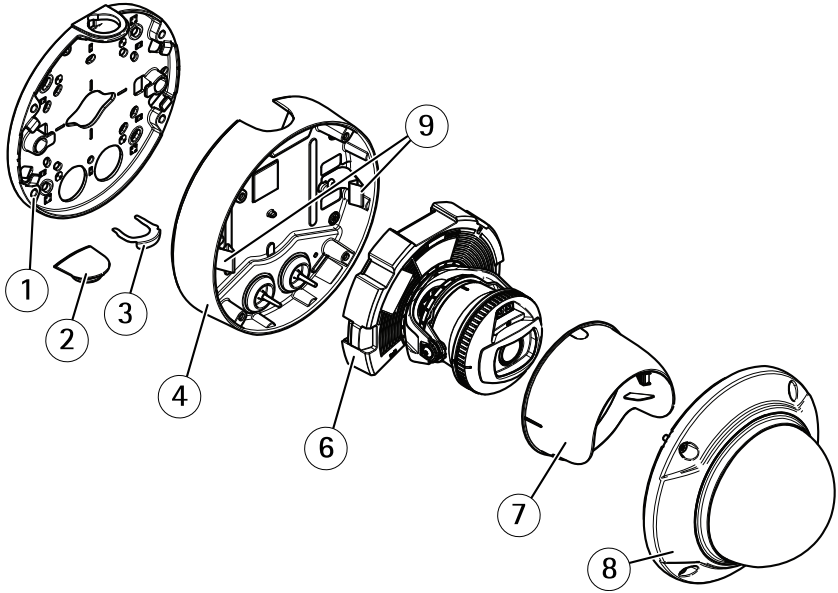
パッケージの内容

- AXIS Q3517-LV 固定ドームネットワークカメラ
- Resistorx[®]L型レンズTR20
- DCコネクタ
- I/Oコネクタキット
- 予備のケーブルガスケット
 - ケーブルガスケットM20、5 mm (ケーブル直径5～10 mm用)
 - ガスケットキットM20、3 mm (ケーブル直径3～5 mm用)
- コネクタガード
- 印刷物
 - インストールガイド (本書)
 - ドリルテンプレート
 - 予備のシリアル番号ラベル×2
 - AVHS認証キー

製品の概要

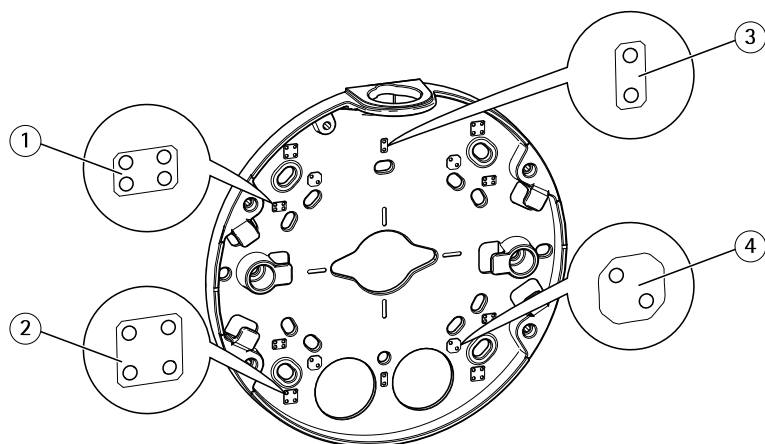


- 1 ネットワークコネクタ
- 2 コントロールボタン
- 3 I/Oコネクタ
- 4 音声出力
- 5 音声入力
- 6 DCコネクタ
- 7 SDカードスロット
- 8 ステータスLED (×2)
- 9 機能ボタン
- 10 IR LED (×2)



- 1 取付ブラケット
- 2 サイドリッド
- 3 ロッキングクリップ
- 4 ユニットケーシング
- 5 スプリング
- 6 カメラユニット
- 7 ビュープロテクター
- 8 ドームカバー

取付ブラケット



- 1 標準サイズの米国ダブルギャングジャンクションボックス
- 2 4インチの正方形ボックス
- 3 標準サイズの米国シングルギャングジャンクションボックス
- 4 4インチの八角形ボックス

取付ブラケットには、4つの標準的な取り付けパターンがあります。

製品の取り付け方法

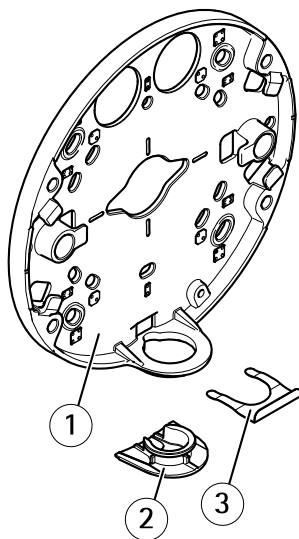
ハードウェアのインストール

ケーブルの配線

- ケーブルを壁に**沿って**配線する場合、139ページを参照してください。
- ケーブルを壁の**中を通して**配線する場合、140ページを参照してください。
- パイプを取付ブラケットに取り付ける場合、141ページを参照してください。

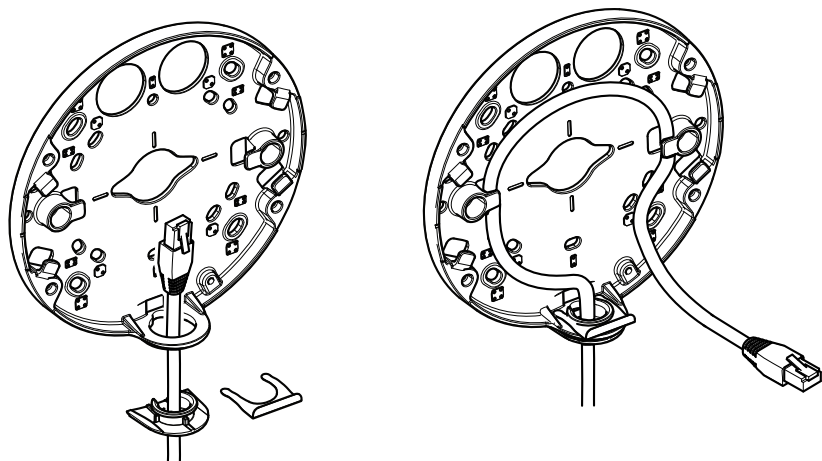
壁を通すケーブル配線

1. ドリルテンプレートを使用して、取付ブラケット用の穴を4つ開けます。
2. 適切なネジで取付ブラケットを壁に取り付けます。



- 1 取付ブラケット
- 2 サイドリッド
- 3 ロッキングクリップ

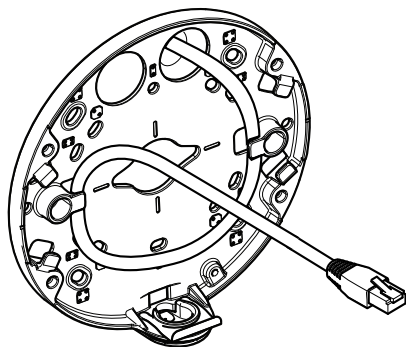
3. ロッキングクリップとサイドリッドを外します。
4. サイドリッドにケーブル用の穴を開けます。



5. サイドリッドの穴にケーブルを通します。
6. サイドリッドを取付ブラケットにロックングクリップで取り付けます。
7. 後でさらにケーブル長が必要になる場合に備えて、取付ブラケットの溝に沿ってネットワークケーブルを巻き付けます。

壁の中を通したケーブル配線

1. ドリルテンプレートを使用して、取り付けブラケット用の穴を4つと、各ケーブルごとに1つの穴を開けます。
2. 適切なネジで取付ブラケットを壁に取り付けます。

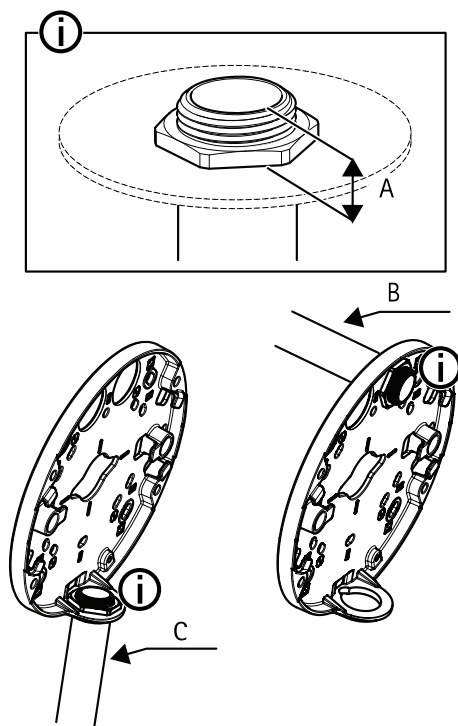


3. ネットワークケーブルを壁の中と取付ブラケットに通します。

4. 後でさらにケーブル長が必要になる場合に備えて、取付ブラケットの溝に沿ってネットワークケーブルを巻き付けます。

パイプを通したケーブル配線

1. ドリルテンプレートを使用して、取付ブラケット用の穴を4つと、パイプを取付ブラケットの背面から取り付ける場合はパイプ用の穴を1つ開けます。
2. 適切なネジで取付ブラケットを壁に取り付けます。



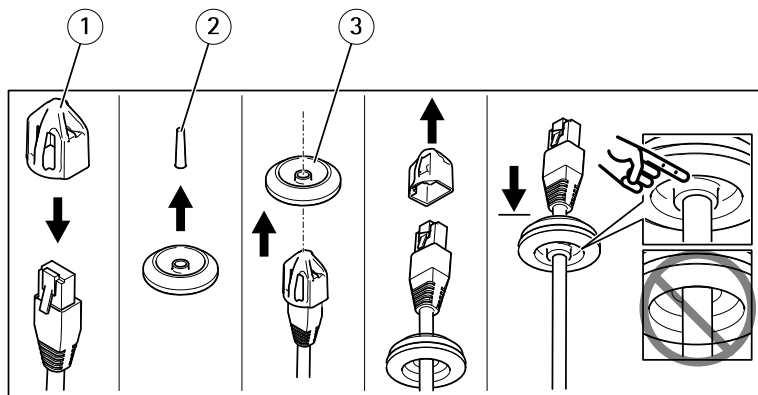
- A 最大8mm
 B 3/4インチパイプ
 C 1/2インチパイプ

3. Loctite®スレッドロッカーをパイプのナットからネジまでの部分に使用し、ロックナット付きパイプを取り付けます。
4. 距離Aが制限内であることを確認します。
5. パイプにケーブルを通します。

- 後でさらにケーブル長が必要になる場合に備えて、取付ブラケットの溝に沿ってネットワークケーブルを巻き付けます。

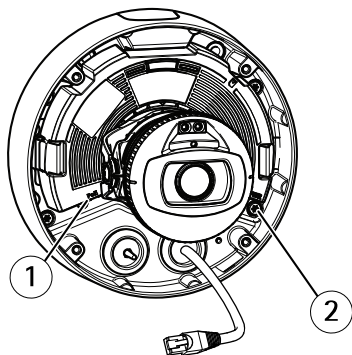
ケーブルの接続と取り付けブラケットへのユニットケーシングの取り付け

- SDカードをカメラユニットに挿入します (オプション)。



- 1 コネクターガード
- 2 タブ
- 3 ケーブルガasket

- 付属のコネクターガードをネットワークケーブルに取り付けます。
- カメラユニットのネットワークコネクターから最も遠いケーブルガasketのタブを引っ張ります。
- ネットワークケーブルをケーブルガasketに通します。
- ネットワークケーブルからコネクターガードを取り外します。
- ネットワークケーブルをケーブルガasketに通します。
- ネットワークケーブルを少し手前に引き、ケーブルガasketをケーブルにぴったりと合わせます。

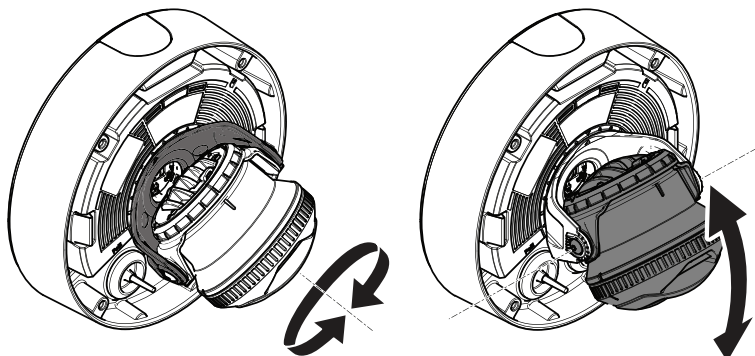


- 1 ネットワークコネクタ
- 2 いたずら防止ネジ

8. Resistorx®レンチTR20を使用して4本のいたずら防止ネジを締めることにより、ユニットケーシングを取付ブラケットに取り付けます。
9. ネットワークケーブルをカメラユニットに接続します。
10. ユニットケーシング内のスプリングを横に引き、カメラユニットをユニットケーシングに取り付けます。

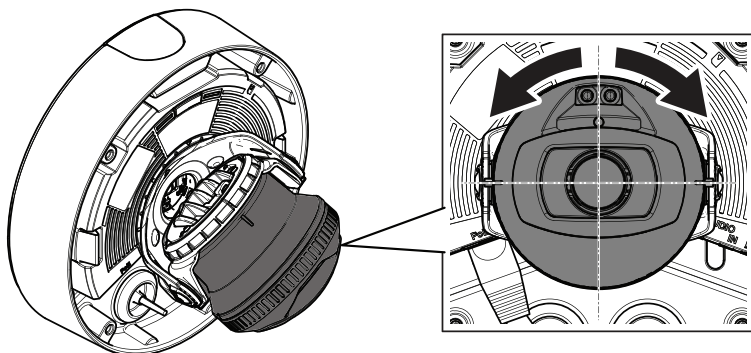
JA

カメラアングルの調整

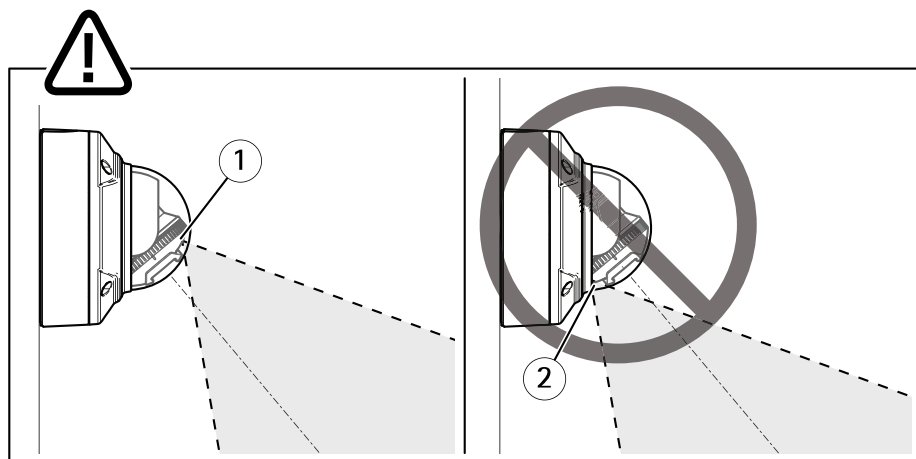


1. カメラのパンとチルトを行い、角度を調整します。本カメラは360°のパンと-80°～80°のチルトを行うことができます。

AXIS Q3517-LV Network Camera



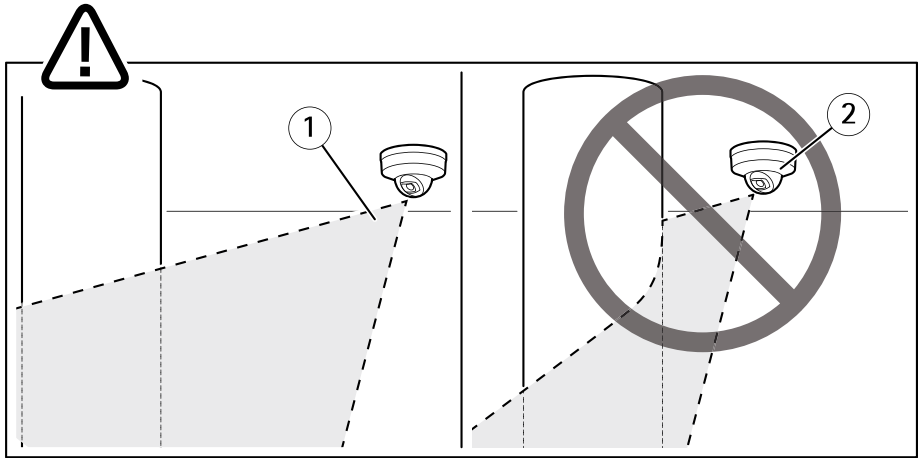
2. カメラの回転を行い、角度を調整します。本カメラは±175° の回転を行うことができます。



- 1 IR LEDが正しい位置に設置されています。
 - 2 IR LEDがドームカバーによって妨害されています。
3. ネジを取り付けずにドームカバーをカメラにかぶせます。
 4. IR LEDがドームカバーによって妨害されないことを確認します。

注意

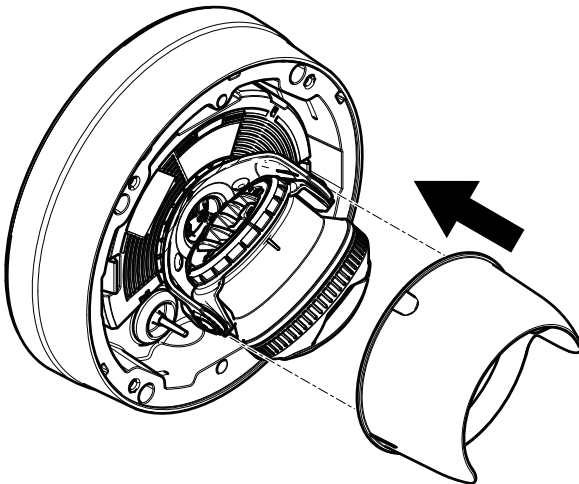
IR LEDからの光がカメラに反射しない角度にカメラを設置することは重要です。



- 1 IR LEDは近くの反射面に照射していません。
- 2 カメラの位置が反射面に近すぎます。

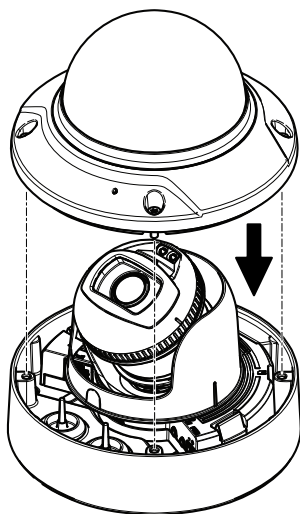
JA

ビュープロテクターの取り付け



1. ビュープロテクターをカメラユニットに取り付けます。
2. 上と下を押しながらビュープロテクターを取り外します。

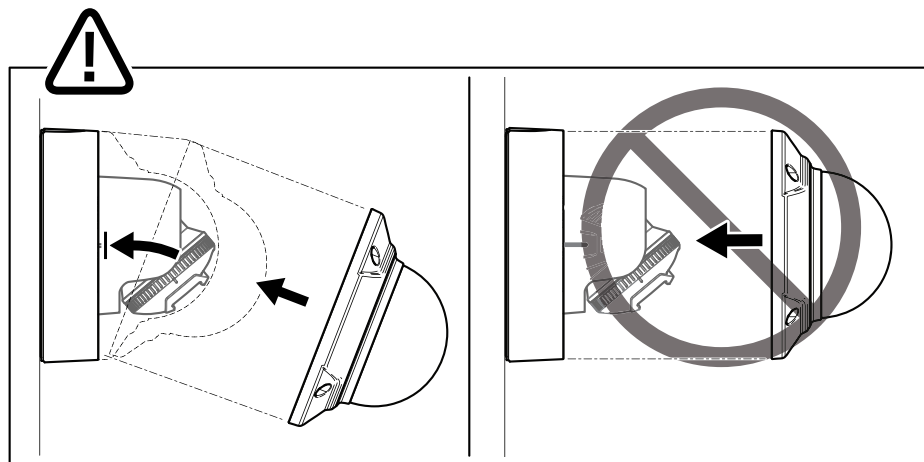
ドームカバーの取り付け



1. Resistorx®レンチTR20を使用して、ドームカバーをユニットケーシングに取り付けます。

注意

カメラレンズの位置を保つ角度にドームカバーを取り付けます。



2. ドームカバーから保護フィルムを取り除きます。

製品のアクセス方法

ネットワーク上でAxis製品を検索したり、Windows®でそれにIPアドレスを割り当てるには、AXIS IP UtilityまたはAXIS Camera Managementの使用をお勧めします。いずれのアプリケーションも無料で、www.axis.com/supportからダウンロードできます。

本製品は、ほとんどのオペレーティングシステムとブラウザでご利用いただけます。推奨ブラウザは以下のとおりです。

- Internet Explorer® (Windows®の場合)
- Safari® (OS X®の場合)
- Chrome™またはFirefox® (その他のオペレーティングシステムの場合)

製品の使用の詳細については、Axisのホームページ (www.axis.com) でユーザーズマニュアルを参照してください

フォーカスとズームの調整方法

1. 本製品のWebページで **[Image (画像)]** タブを表示します。
2. **[Autofocus (オートフォーカス)]** をクリックします。
3. **[Autofocus (オートフォーカス)]** をクリックします。

工場出荷時の設定にリセットする方法

重要

工場出荷時の設定へのリセットは慎重に行ってください。工場出荷時の設定へのリセットを行うと、IPアドレスを含むすべての設定が工場出荷時の値にリセットされます。

本製品を工場出荷時の設定にリセットするには、以下の手順を実行します。

1. 本製品の電源を切ります。
2. コントロールボタンを押した状態で電源を再接続します。136ページの、*製品の概要*を参照してください。
3. ステータスLEDインジケーターが黄色に点滅するまで、コントロールボタンを15～30秒間押し続けます。
4. コントロールボタンを離します。プロセスが完了すると、ステータスLEDが緑色に変わります。これで本製品は工場出荷時の設定にリセットされました。ネットワーク上に利用可能なDHCPサーバーがない場合、デフォルトのIPアドレスは192.168.0.90になります。
5. インストールおよび管理ソフトウェアツールを使用してIPアドレスの割り当て、パスワードの設定、ビデオストリームへのアクセスを行います。
*www.axis.com/support*のサポートページに、インストールおよび管理ソフトウェアツールが用意されています。

関連情報

- 本書の最新バージョンについては、www.axis.comにアクセスしてください。
- ユーザーズマニュアルは、www.axis.comで入手できます。
- ご使用の製品の新しいファームウェアがリリースされていないかを確認するには、www.axis.com/supportにアクセスしてください。
- 役に立つオンライントレーニングおよびWebセミナーをご用意しております。www.axis.com/academyをご覧ください。

オプションアクセサリー

本製品で利用可能なすべてのアクセサリーについては、www.axis.comを参照してください

技術仕様

最新バージョンのデータシートについては、Axisのホームページwww.axis.com > [製品] > [サポートとドキュメント] を参照してください。

LEDインジケーター

注意

- ステータスLEDは、イベントの発生時に点滅させることができます。

ステータスLED	説明
無点灯	接続時と正常動作時は、無点灯のままです。
緑	起動後正常に動作する場合、10秒間、緑色に点灯します。
黄	起動時に点灯し、ファームウェアのアップグレード時と工場出荷時設定へのリセット時に点滅します。
黄/赤	ネットワーク接続が利用できないか、失われた場合は、黄色/赤色で点滅します。

水平化アシスタントのステータスLEDの動作とブザー信号

画像の水平化に使用する機能ボタンの詳細については、151ページを参照してください。

カラー	ブザー	カメラの位置
緑: 点灯	連続音	水平
緑: 点滅	高速なブザー音	ほぼ水平
オレンジ: 点滅	中程度の速さのブザー音	水平ではない
赤: 点滅	低速なブザー音	かなり傾いている

SDカードスロット

注記

- SDカード損傷の危険があります。SDカードの挿入と取り外しの際には、鋭利な工具や金属性の物を使用したり、過剰な力をかけたりしないでください。カードの挿入や取り外しは指で行ってください。

- データ損失や録画データ破損の危険があります。本製品の稼働中はSDカードを取り外さないでください。取り外しの前に電源を切るか、製品のWebページからSDカードをマウント解除してください。

本製品は、microSD/microSDHC/microSDXCカードに対応しています (別売)。

推奨するSDカードについては、www.axis.comを参照してください

ボタン

コントロールボタン

コントロールボタンの位置については、136ページの、製品の概要を参照してください。

コントロールボタンは、以下の用途で使用します。

- 製品を工場出荷時の設定にリセットする。148ページを参照してください。
- AXIS Video Hosting SystemサービスまたはAXIS Internet Dynamic DNSサービスに接続する。これらのサービスの詳細については、www.axis.comを参照してください。

JA

機能ボタン

機能ボタンには、以下のような機能があります。

- 水平化アシスタント** – 画像を水平にするのに役立つ機能です。ボタンを約2秒間押し続けると水平化アシスタントが起動し、もう一度押すと停止します。ステータスLED (150ページ参照) とブザー信号を使用して、画像の水平化を行います。画像が水平になると、ブザーが連続音になります。
- ステータスLEDを表示する** – 機能ボタンを1回押すとステータスLEDがオンになり、もう一回押すとオフになります。10秒経過すると、ステータスLEDは自動的にオフになります。

コネクタ

ネットワークコネクタ

RJ45イーサネットコネクタ、Power over Ethernet (PoE) 対応。

注記

本製品を使用する場所の地域条例、環境、電気的条件下によっては、シールドネットワークケーブル (STP) の使用が推奨または必須になります。本製品をネットワークに接続して屋外または電氣的に厳しい環境に配線する場合は、用途に合ったネットワークケーブルを使用してください。ネットワーク装置

AXIS Q3517-LV Network Camera

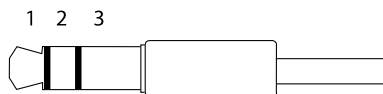
がメーカーの指示どおりに設置されていることを確認します。法的要件については、*Electromagnetic compatibility (EMC) on page 4*を参照してください。

音声コネクター

本製品は、以下の音声コネクターを搭載しています。

- **音声入力 (ピンク)** – モノラルマイクロフォンまたはライン入力モノラル信号用3.5 mm入力。
- **音声出力 (緑)** – 3.5 mm音声 (ラインレベル) 出力 (パブリックアドレス (PA) システムまたはアンプ内蔵アクティブスピーカーに接続可能)。音声出力には、ステレオコネクターを使用することをお勧めします。

3.5 mm音声コネクター (ステレオ)



	1 チップ	2 リング	3 スリーブ
音声入力	マイクロフォン/ライン入力	マイクロフォンバイアス電圧	グラウンド
音声出力	ライン出力、モノラル	ライン出力、モノラル	グラウンド

I/Oコネクタ

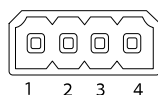
I/Oコネクタに外部装置を接続し、いたずら警報、動体検知、イベントトリガー、アラーム通知などと組み合わせて使用することができます。I/Oコネクタは、0 V DC基準点と電力 (DC出力) に加えて、以下のインターフェースを提供します。

デジタル出力 - リレーやLEDなどの外部デバイスを接続します。接続されたデバイスは、VAPIX®アプリケーションプログラミングインターフェースまたは製品のWebページで有効にすることができます。

デジタル入力 - オープンサーキットとクローズサーキットの切り替えが可能なデバイス (PIRセンサー、ドア/窓の接触、ガラス破損検知器など) を接続するための入力です。

状態監視 - デジタル入力でのいたずら検知機能が有効になります。

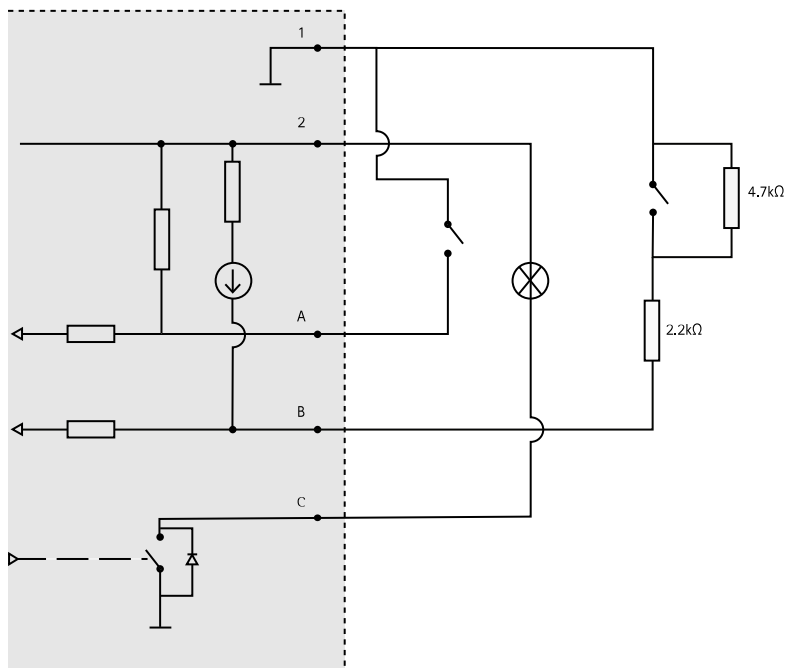
4ピンターミナルブロック



AXIS Q3517-LV Network Camera

機能	ピン	備考	仕様
0 V DC (-)	1	DCグラウンド	0 V DC
DC出力	2	補助装置の電源供給に使用できます。 注: このピンは、電源出力としてのみ使用できません。	12 V DC 最大負荷 = 50 mA
設定可能 (入力または出力)	3-4	デジタル入力 - 動作させるにはピン1に接続し、動作させない場合はフロート状態 (未接続) のままにします。	0~30 V DC (最大)
		デジタル出力 - 動作させるにはピン1に接続し、動作させない場合はフロート状態 (未接続) にします。誘導負荷 (例: リレー) とともに使用する場合は、過渡電圧から保護するため、ダイオードを負荷と並列に接続する必要があります。	0~30 V DC (最大)、 オープンドレイン、100 mA
		状態監視 - 状態監視を使用するには、終端抵抗器を設置します。抵抗器を接続する方法については、接続図を参照してください。	0~30 V DC (最大)

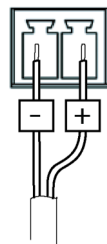
JA



- 1 0VDC (-)
- 2 DC出力12V、最大50mA
- A I/O (入力として設定)
- B I/O (状態監視として設定)
- C I/O (出力として設定)

電源コネクタ

DC電源入力用2ピンターミナルブロック。定格出力が100W以下または5A以下の安全特別低電圧 (SELV) に準拠した有限電源 (LPS) を使用してください。



動作条件

本製品は屋内用モデルです。

製品	等級	温度	湿度
AXIS Q3517-LV	IEC 60529 IP52	-10 ° C ~ 60 ° C	10 ~ 85% RH

消費電力

製品	Power over Ethernet (PoE)	DC
AXIS Q3517-LV	IEEE 802.3af/802.3at Type 1、クラス3 標準6.5 W 最大12.9 W	標準6.9 W 最大14.5 W

安全情報

危険レベル

▲危険

回避しない場合、死亡または重傷につながる危険な状態を示します。

▲警告

回避しない場合、死亡または重傷につながるおそれのある危険な状態を示します。

▲注意

回避しない場合、軽傷または中程度の怪我につながるおそれのある危険な状態を示します。

注記

回避しない場合、器物の破損につながるおそれのある状態を示します。

その他のメッセージレベル

重要

製品を正しく機能させるために不可欠な重要情報を示します。

注意

製品を最大限に活用するために役立つ有用な情報を示します。

安全手順

注記

- 本製品は、お使いになる地域の法律や規制に準拠して使用してください。
- Axisは、シールドネットワークケーブル (STP) CAT5以上の使用を推奨します。
- 本製品を屋外またはそれに準じる環境で使用する場合は、認定済みの屋外用筐体に収納して設置する必要があります。
- 本製品は乾燥した換気のよい環境に保管してください。
- 本製品に衝撃または強い圧力を加えないでください。
- 本製品を不安定なポール、ブラケット、表面、または壁に設置しないでください。
- 本製品を設置する際には、適切な工具のみを使用してください。電動工具を使用して過剰な力をかけると、製品が損傷することがあります。
- 化学薬品、腐食剤、噴霧式クリーナーは使用しないでください。
- 清掃には、きれいな水に浸した清潔な布を使用してください。
- 製品の技術仕様に準拠したアクセサリのみを使用してください。これらのアクセサリは、Axisまたはサードパーティから入手できます。Axisは、ご使用の製品と互換性のあるAxis給電ネットワークスイッチの使用を推奨します。
- Axisが提供または推奨する交換部品のみを使用してください。
- 製品を自分で修理しないでください。修理については、Axisサポートまたは販売代理店にお問い合わせください。

輸送

注記

- 本製品を運搬する際は、製品が損傷しないよう、元の梱包か同等の梱包を使用してください。

バッテリー

本製品は、内部リアルタイムクロック (RTC) 用電源として、3.0V CR2032リチウムバッテリーを使用します。このバッテリーは、通常条件下で最低5年間使用できます。

バッテリーが低電力状態になると、RTCの動作に影響し、電源を入れるたびにRTCがリセットされます。バッテリーの交換が必要になると、製品のサーバーレポートにログメッセージが表示されます。サーバーレポートの詳細については、製品の設定ページを参照するか、Axisサポートまでお問い合わせください。

必要な場合以外はバッテリーを交換しないでください。バッテリーの交換が必要な場合は、Axisサポート www.axis.com/supportまでご連絡ください。

リチウムコイン型3.0V電池は、1,2-ジメトキシエタン(エチレングリコールジメチルエーテル(EGDME)、CAS番号110-71-4)を含有しています。

▲警告

- バッテリーは、正しく交換しないと爆発する危険があります。
- 交換用バッテリーとしては、同一品またはAxisが推奨するバッテリーのみを使用してください。
- 使用済みバッテリーは、地域の規制またはバッテリーメーカーの指示に従って廃棄してください。

ドームカバー

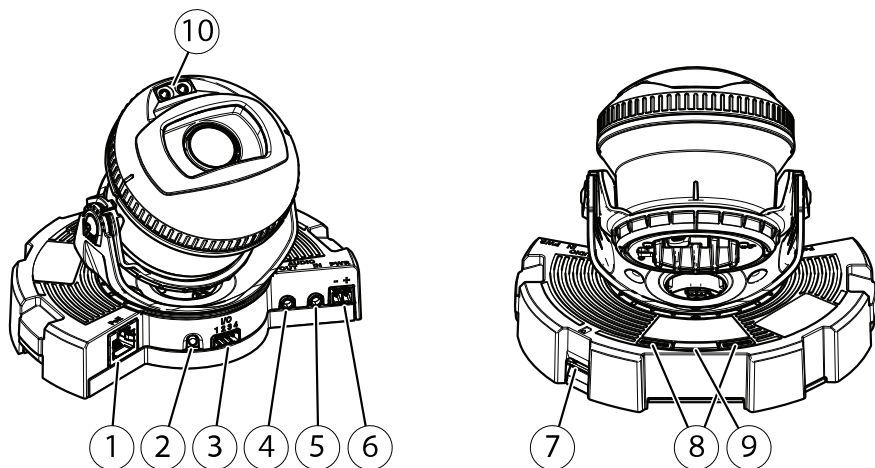
注記

- 画質低下の原因となるため、ドームカバーに傷や指紋を付けたり、損傷しないように注意してください。可能であれば、設置が完了するまでドームカバーに保護プラスチックを付けたままにしてください。
- 肉眼で見ても汚れがない場合は、ドームカバーを掃除しないでください。また、絶対に表面を磨かないでください。過度な清掃により、表面が破損することがあります。
- ドームカバーの通常のクリーニングには、磨耗防止タイプの無溶媒の中性石鹸またはきれいな水で薄めた洗剤と、柔らかい清潔な布を使用することをお勧めします。洗浄後、きれいなぬるま湯でよくすすいでください。水滴の跡が付かないよう、清潔な柔らかい布で拭いて乾かしてください。
- 強力な洗剤、ガソリン、ベンジン、アセトンなどは絶対に使用しないでください。また直射日光が当たる場所や気温が上昇する場所での、ドームカバーの清掃は避けてください。

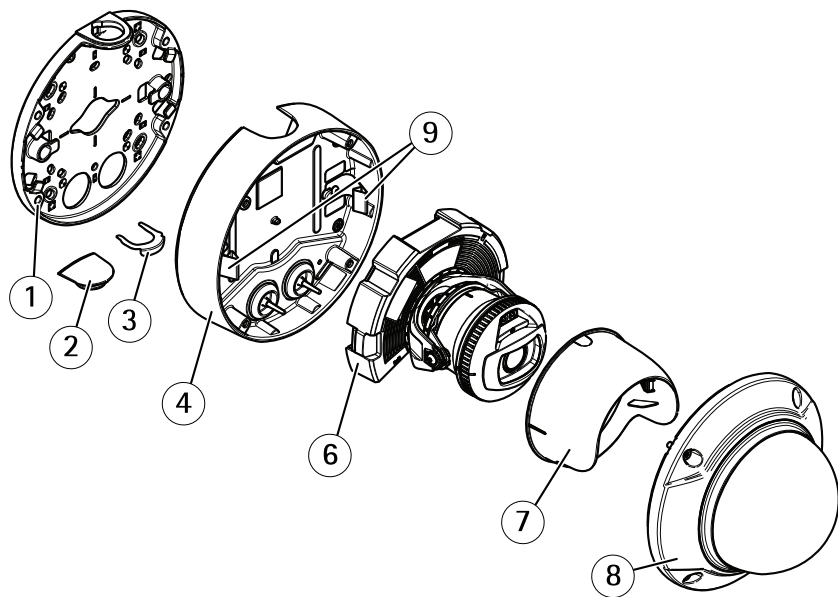
包装内容

- AXIS Q3517-LV 固定半球网络摄像机
- Resistorx® L 形扳手 TR20
- DC 连接器
- I/O 连接器套件
- 额外的电缆垫圈
 - 电缆垫圈 M20 5 毫米 (适用于直径 5-10 毫米的电缆)
 - 垫圈套件 M20 3 毫米 mm (适用于直径 3-5 毫米的电缆)
- 连接器防护件
- 印刷资料
 - 安装指南 (本文档)
 - 钻孔模板
 - 额外的序列号标签 (2 个)
 - AVHS 身份验证密钥

产品概述

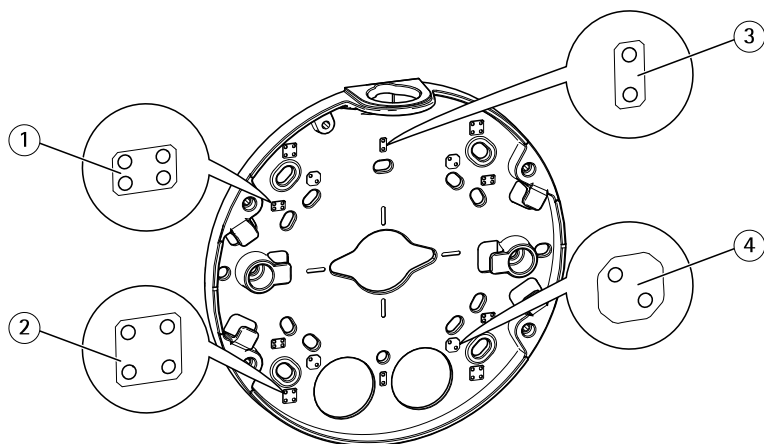


- 1 网络连接器
- 2 控制按钮
- 3 I/O 连接器
- 4 音频输出
- 5 音频输入
- 6 DC 连接器
- 7 SD 卡插槽
- 8 状态 LED (2 个)
- 9 功能按钮
- 10 红外 LED (2 个)



- 1 安装支架
- 2 侧盖
- 3 锁定夹
- 4 设备外壳
- 5 弹簧
- 6 摄像机单元
- 7 视野防护部件
- 8 球机罩

安装支架



- 1 标准尺寸 US 双联接线盒
- 2 4 英寸方盒
- 3 标准尺寸 US 单联接线盒
- 4 4 英寸八角盒

安装支架有 4 种标准安装模式。

如何安装产品

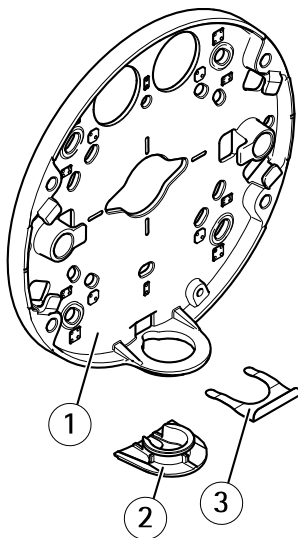
安装硬件

布线

- 如果要**沿墙**布线，请参见第165页。
- 如果要**穿墙**布线，请参见第166页。
- 如果要将导线管连接到安装支架上，请参见第167页

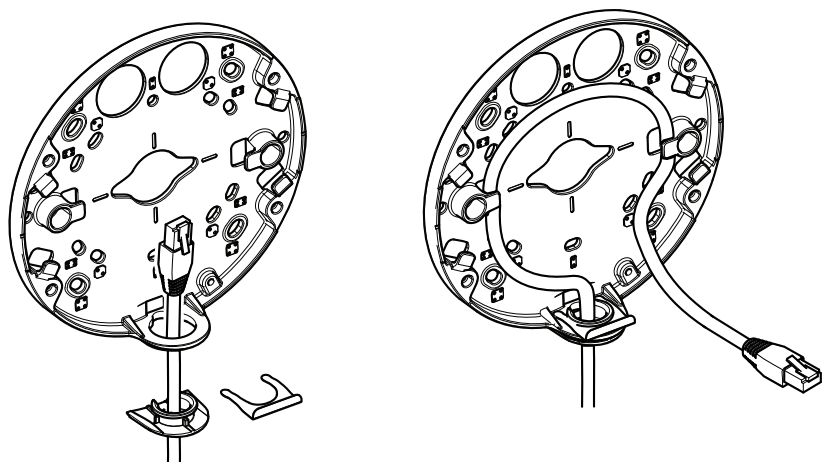
沿墙布线

1. 使用钻孔模板为安装支架钻 4 个孔。
2. 用适当的螺丝将安装支架固定到墙壁上。



- 1 安装支架
- 2 侧盖
- 3 锁定夹

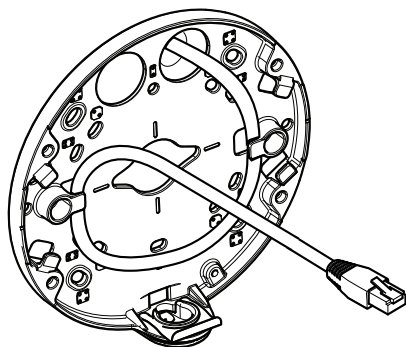
3. 取下锁定夹和侧盖。
4. 在侧盖上为电缆钻一个孔。



5. 将电缆穿过侧盖中的孔。
6. 用锁定夹将侧盖固定到安装支架上。
7. 沿安装支架上的凹槽缠绕电缆，从而留出额外的电缆供日后使用。

将电缆穿过墙壁

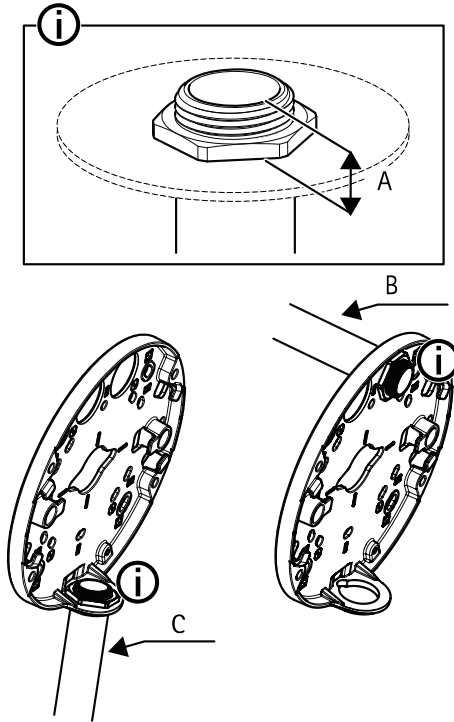
1. 使用钻孔模板为安装支架钻 4 个孔，并为每条电缆钻一个孔。
2. 用适当的螺丝将安装支架固定到墙壁上。



3. 将网络电缆穿过墙壁和安装支架。
4. 沿安装支架上的凹槽缠绕电缆，从而留出额外的电缆供日后使用。

将电缆穿过导线管

1. 使用钻孔模板为安装支架钻 4 个孔，并为导线管钻一个孔（如果从安装支架背面安装导线管）。
2. 用适当的螺丝将安装支架固定到墙壁上。

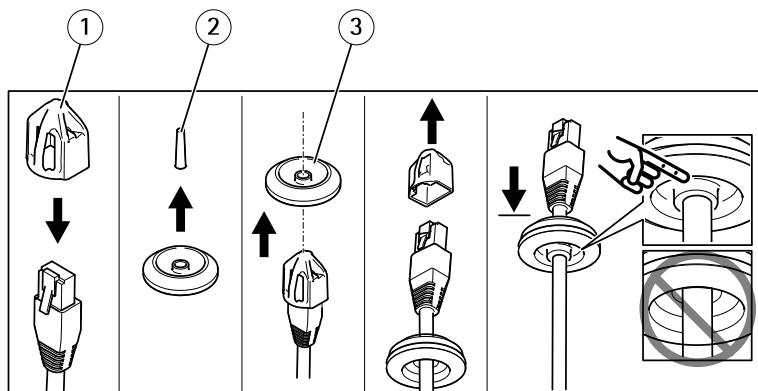


- A 最大 8 毫米
- B 3/4" 管
- C 1/2" 管

3. 用锁定螺母连接导线管，并用 Loctite 乐泰® 螺丝固定剂，涂在锁定螺母和导线管的螺纹上。
4. 确认距离 A 在限制范围内。
5. 从导线管中布线。
6. 沿安装支架上的凹槽缠绕电缆，从而留出额外的电缆供日后使用。

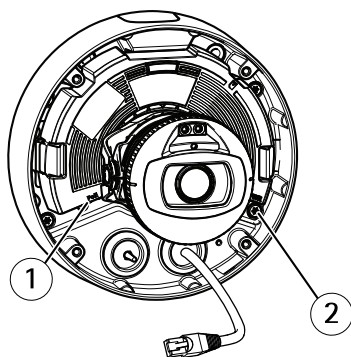
连接电缆并将设备外壳固定到安装支架上

1. 在摄像机单元中插入 SD 卡（可选）。



- 1 连接器防护件
- 2 卡舌
- 3 电缆垫圈

2. 将随附的连接器防护件安装到网络电缆。
3. 拉出电缆垫圈上的卡舌，使其尽量远离摄像机单元中的网络连接器。
4. 将网络电缆穿过电缆垫圈。
5. 从网络电缆上取下连接器防护件。
6. 将网络电缆穿过电缆垫圈。
7. 轻轻回拉网络电缆，以便调整电缆垫圈在电缆上的位置。

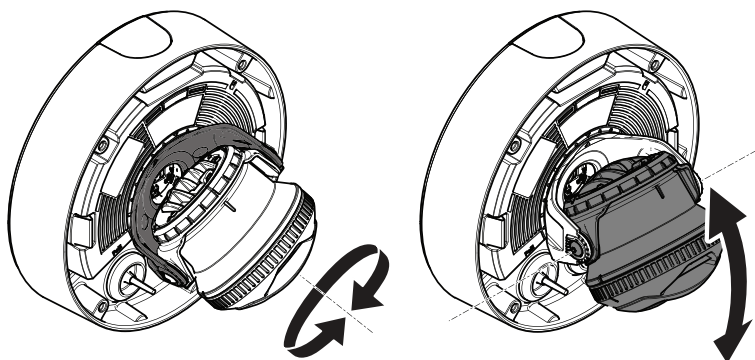


- 1 网络连接器

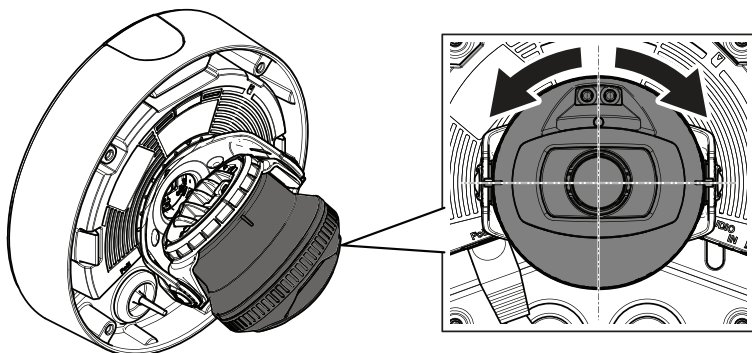
2 防盗螺丝

8. 使用 Resistorx® 扳手 TR20 拧紧四颗防盗螺丝，以将设备外壳固定到安装支架上。
9. 将网络电缆连接至摄像机单元。
10. 将设备外壳中的弹簧拉到一边并将摄像机单元安装到设备外壳上。

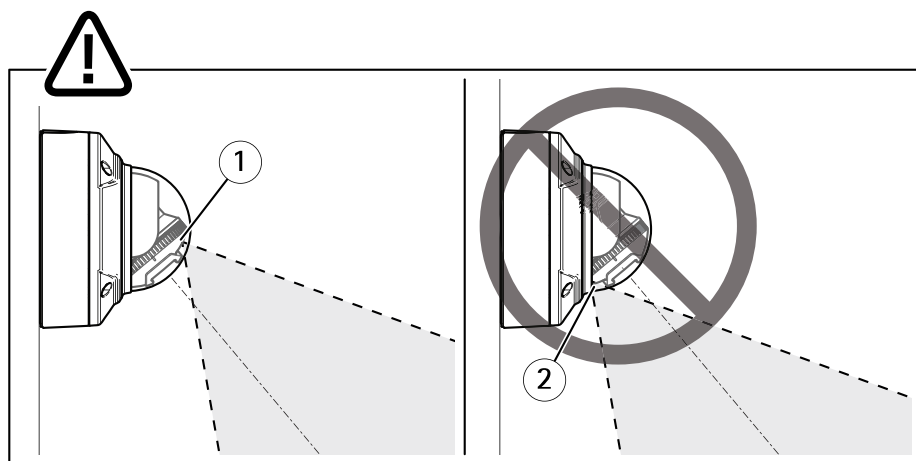
调整摄像机角度



1. 水平转动和垂直转动摄像机来调整角度。摄像机可水平转动 360° 和垂直转动 -80° 至 80° 。



2. 旋转摄像机以调整角度。摄像机可旋转 $\pm 175^\circ$ 。

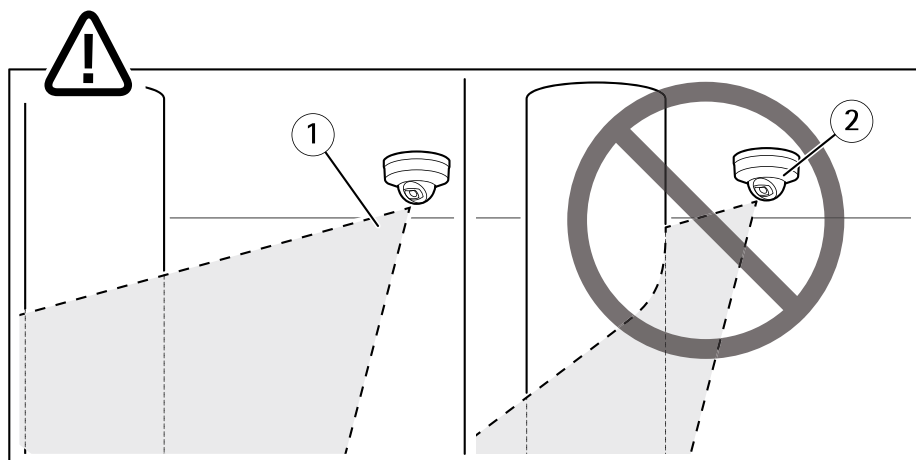


- 1 红外 LED 已正确定位。
- 2 红外 LED 被球机罩遮挡。

3. 将球机罩放在摄像机上方，而不要安装螺丝。
4. 确认红外 LED 不会被球机罩遮挡。

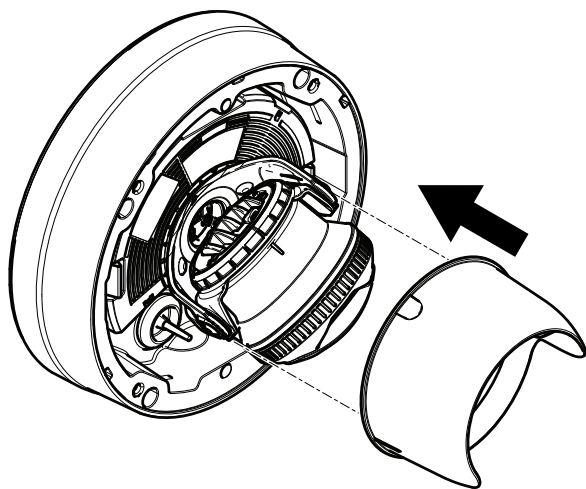
备注

务必将摄像机置于某个角度，以使来自红外 LED 的光线不会反射回摄像机。



- 1 红外 LED 不会照亮附近的反射面。
- 2 摄像机位置太靠近反射面。

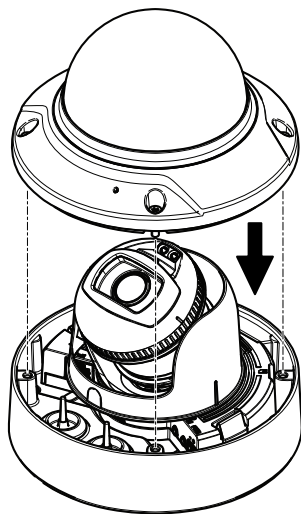
安装视野防护部件



1. 将视野防护部件安装到摄像机单元。
2. 按下顶部和底部，取下视野防护部件。

ZH

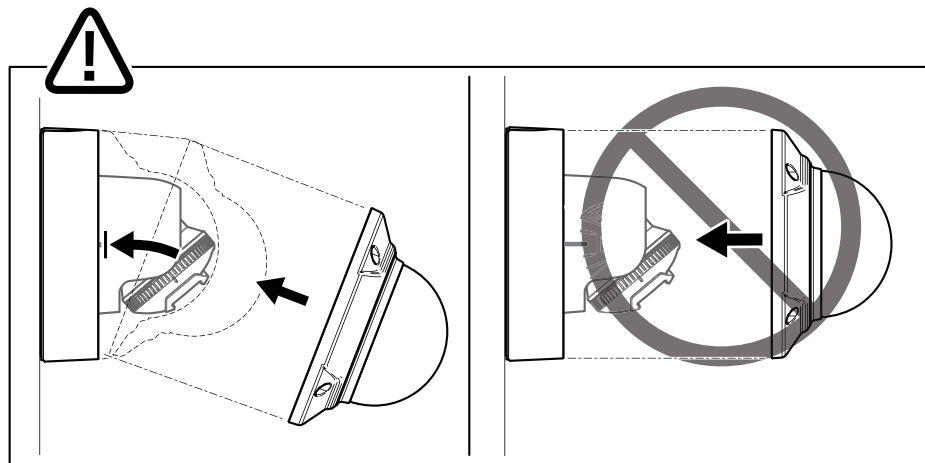
安装球机罩



1. 使用 Resistorx® TR20 扳手，将球机罩安装到设备外壳。

备注

按一定角度安装球机罩，以保持摄像机镜头的位置。



2. 撕下球机罩上的保护膜。

如何访问产品

AXIS IP Utility 和 AXIS Camera Management 是用于在网络上查找安讯士产品以及在 Windows® 中为其分配 IP 地址的建议方法。这两种应用程序都是免费的，可以从 www.axis.com/support 上进行下载

该产品可与大多数操作系统和浏览器兼容。我们建议使用以下浏览器：

- Internet Explorer®, 用于 Windows®
- Safari®, 用于 OS X®
- Chrome™ 或 Firefox®, 用于其他操作系统。

有关使用产品的更多信息，请参阅 www.axis.com 上提供的用户手册。

如何调整对焦和变焦

1. 转到产品网页中的 **图像**选项卡。
2. 单击 **自动对焦**。
3. 单击 **自动对焦**。

如何重置为出厂默认设置

如何重置为出厂默认设置

重要

重置为出厂默认值时应谨慎。重置为出厂默认值会将所有设置（包括 IP 地址）重置为出厂默认值。

将产品重置为出厂默认设置：

1. 断开产品电源。
2. 按住控制按钮，同时重新连接电源。请参见 *产品概述* 在第 162 页。
3. 按住控制按钮 15–30 秒，直到状态 LED 指示灯呈淡黄色闪烁。
4. 释放控制按钮。当状态 LED 指示灯变绿时，此过程完成。产品已重置为出厂默认设置。如果网络上没有可用的 DHCP 服务器，则默认 IP 地址为 192.168.0.90
5. 使用安装和管理软件工具分配 IP 地址、设置密码和访问视频流。
安装和管理软件工具可从 www.axis.com/support 上的支持页面获取

更多信息

- 有关本文档的最新版本，请参见 www.axis.com
- 用户手册可从 www.axis.com 获取
- 要检查是否有产品的可用更新固件，请参见 www.axis.com/support
- 如需有用的在线培训和在线研讨会，请参见 www.axis.com/academy

可选附件

有关本产品可用附件的完整列表，请转到 www.axis.com

技术规格

要查找最新版本的数据表，请转到 www.axis.com > 产品 > 支持和文档。

LED 指示灯

备注

- 状态 LED 可配置为在激活事件时闪烁。

状态 LED	指示
熄灭	连接和正常工作。
绿色	启动完成后，将显示稳定的绿色 10 秒，以表示正常工作。
淡黄色	在启动期间稳定。在固件升级过程中或重置为出厂默认值时闪烁。
淡黄色/红色	如果网络连接不可用或丢失，则呈淡黄色/红色闪烁。

水平助手的状态 LED 指示灯行为和蜂鸣器信号

有关调平图像所用功能按钮的信息，请参见 [第177页](#)。

颜色	蜂鸣器	摄像机位置
固定的绿色	持续的蜂鸣声	水平
闪烁的绿色	快速的蜂鸣声	基本水平
闪烁的橙色	中等的蜂鸣声	不水平
闪烁的红色	缓慢的蜂鸣声	远不够水平

SD 卡插槽

注意

- 损坏 SD 卡的风险。插入或取出 SD 卡时，请勿使用锋利的工具、金属物体或过大力气。使用手指插入和取出该卡。
- 数据丢失和录制内容损坏的风险。产品正在运行时，请勿取出 SD 卡。在移除之前，请断开电源或从产品的网页卸载 SD 卡。

本产品支持 microSD/microSDHC/microSDXC 卡（不包括）。

有关 SD 卡的建议，请参见 www.axis.com

按钮

控制按钮

有关控制按钮的位置，请参见 *产品概述* 在第162页。

控制按钮用于：

- 将产品重置为出厂默认设置。请参见第174页。
- 连接到安讯士视频托管系统服务或安讯士互联网动态 DNS 服务。有关这些服务的更多信息，请参阅 www.axis.com。

功能按钮

功能按钮具有多种功能：

- **As leveling Assistant (作为调平助手)** – 此功能有助于确保图像处于水平位置。按下该按钮约 2 秒，调平助手将启动，再次按下该按钮则停止。状态 LED (请参见第176页) 和蜂鸣器信号可帮助实现图像水平。当蜂鸣器连续发出蜂鸣声时，图像处于水平位置。
- **要查看状态 LED 指示灯** – 按一次按钮，点亮状态 LED 指示灯。再次按下将其关闭。10 秒钟后，LED 指示灯自动熄灭。

ZH

接口

网络连接器

采用以太网供电 (PoE) 的 RJ45 以太网连接器。

注意

由于当地法规或产品使用场所的环境和电气条件，可能需要使用屏蔽网络电缆 (STP)。将产品连接到网络的电缆以及在室外或恶劣电气环境中布放的电缆应专用于其特定用途。确保根据制造商的说明安装网络设备。有关法规要求的信息，请参见 *Electromagnetic compatibility (EMC) on page 4*。

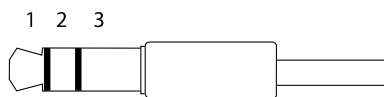
音频连接器

安讯士产品具有以下音频连接器：

- **音频输入 (粉色)** – 3.5 毫米输入，用于单声道麦克风或线路输入单声道信号。
- **音频输出 (绿色)** – 用于音频 (线路级) 的 3.5 毫米输出，可连接到公共地址 (PA) 系统或带有内置放大器的有源扬声器。建议将立体声连接器用于音频输出。

AXIS Q3517-LV Network Camera

3.5 毫米音频连接器
(立体声)



	1 尖部	2 中间环	3 尾段
音频输入	麦克风/线路输入	麦克风偏置电压	接地
音频输出	线路输出, 单声道	线路输出, 单声道	接地

I/O 连接器

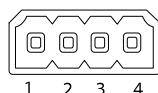
将 I/O 连接器用于外部设备, 例如与防破坏报警、运动侦测、事件触发和警报通知结合使用。除了 0 V DC 参考点和电源 (DC 输出) 以外, I/O 连接器还提供了以下接口:

数字输出 – 用于连接继电器和 LED 等外部设备。已连接的设备可通过 VAPIX® 应用程序编程接口或在产品网页上进行激活。

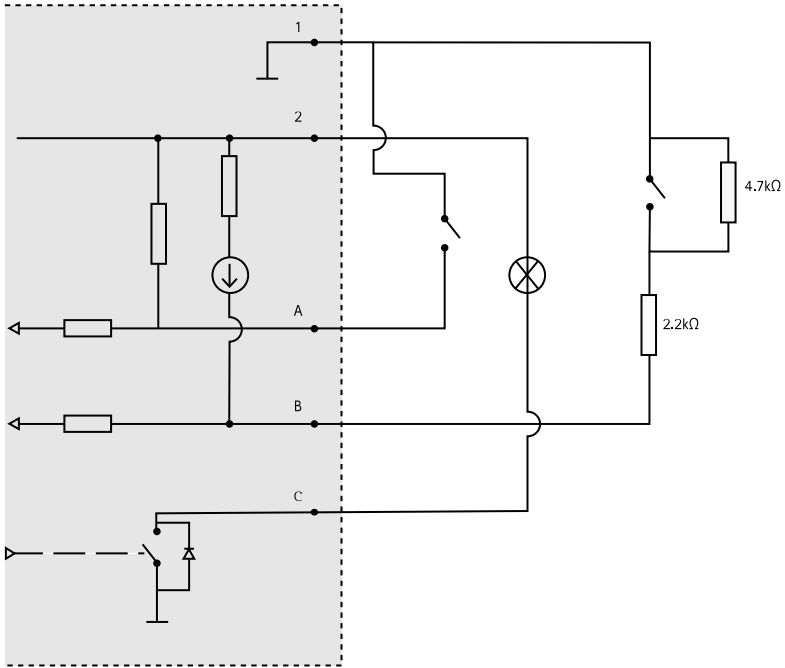
数字输入 – 用于连接可在开路和闭路之间切换的设备, 例如 PIR 传感器、门/窗传感器和玻璃破碎探测器。

受监控输入 – 能够侦测对数字输入进行的篡改。

4 针接线端子



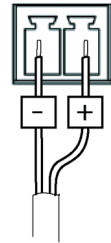
功能	针	备注	规格
0 V DC (-)	1	DC 接地	0 V DC
DC 输出	2	可用于为辅助设备供电。 注意: 此针只能用作电源输出。	12 V DC 最大负载 = 50 mA
可配置 (输入或输出)	3-4	数字输入 – 连接到针 1 以启用, 或保留浮动状态 (断开连接) 以停用。	0 至最大 30 V DC
		数字输出 – 启用时连接到针 1, 停用时保留浮动状态 (断开连接)。如果与电感负载 (如继电器) 一起使用, 二极管必须与负载并联连接, 以防止电压瞬变。	0 至最大 30 V DC, 开漏, 100 mA
		受监控输入 – 要使用受监控输入, 请安装线尾电阻。有关如何连接电阻的信息, 请参见连接图。	0 至最大 30 V DC



- 1 0 V DC (-)
- 2 DC 输出 12 V, 最大 50 mA
- A I/O 已配置为输入
- B I/O 已配置为受监控输入
- C I/O 已配置为输出

电源接口

2 针接线端子用于 DC 电源输入。使用符合安全超低压 (SELV) 规定, 且额定输出功率 ≤ 100 W 或额定输出电流 ≤ 5 A 的有限电源 (LPS)。



AXIS Q3517-LV Network Camera

工作条件

此款安讯士产品适用于室内使用。

产品	等级	温度	湿度
AXIS Q3517-LV	IEC 60529 IP52	-10° C 到 60° C (14° F 到 122° F)	10-85% RH

功耗

产品	以太网供电 (PoE)	DC
AXIS Q3517-LV	IEEE 802.3af/802.3at 1 型 3 类 标准 6.5 W 最大 12.9 W	标准 6.9 W 最大 14.5 W

安全信息

危险等级

▲危险

表示如果不避免则会导致死亡或严重伤害的危险情况。

▲警告

表示如果不避免则可能导致死亡或严重伤害的危险情况。

▲小心

表示如果不避免则可能导致轻微或中度伤害的危险情况。

注意

表示如果不避免则可能导致财产损失的情况。

其他消息等级

重要

表示产品正常工作所必需的重要信息。

备注

表示有助于充分利用产品的有用信息。

安全说明

注意

- 使用安讯士产品时应遵守当地法律和法规。
- 安讯士推荐使用屏蔽网络电缆 (STP) CAT5 或更高版本。
- 要在室外或类似环境中使用安讯士产品，应将该产品安装在获得批准的室外防护罩中。
- 在干燥通风的环境中存放安讯士产品。
- 避免将安讯士产品暴露在冲击或重压下。
- 请勿将本产品安装在不稳定的立杆、支架、表面或墙壁上。
- 安装安讯士产品时，仅使用适用的工具。使用电动工具过度施力可能导致产品损坏。
- 请勿使用化学品、腐蚀剂或气雾剂。
- 使用蘸纯净水的干净布进行清洁。
- 仅使用符合产品技术规格的附件。这些附件可由安讯士或第三方提供。安讯士推荐使用与产品兼容的安讯士电源设备。
- 仅使用安讯士提供或推荐的备件。
- 请勿尝试自行维修产品。有关服务事项，请联系安讯士支持部门或安讯士经销商。

运输

注意

- 安讯士产品运输途中，应使用其原包装或等效包装，以防对产品造成损坏。

电池

安讯士产品使用 3.0 V CR2032 锂电池作为其内部实时时钟 (RTC) 的电源。在正常情况下，此电池将持续至少五年。

低电池电量会影响 RTC 的工作，从而导致其在每次通电时重置。当电池需要更换时，产品的服务器报告中将显示一条日志消息。有关服务报告的更多信息，请参见产品的设置页面或与安讯士支持部门联系。

除非必要，否则不应更换电池，但如果确实需要更换电池，请通过 www.axis.com/support 与安讯士支持部门联系以获取帮助。

3.0 V 纽扣锂电池包含 1,2-二甲氧基乙烷 (EGDME)，CAS 编码为 110-71-4。

警告

- 如果未正确更换电池，则存在爆炸危险。

- 仅可使用相同电池或安讯士推荐的电池进行更换。
- 根据当地法规或电池制造商的说明处理废电池。

半球罩

注意

- 小心不要划伤、损坏或在半球罩上留下指纹，因为这可能会降低图像质量。如果可能，请保留半球罩上的保护塑料，直至安装完成。
- 请勿清洁看起来干净的半球罩，也不要对表面进行抛光。过度清洁可能会损坏表面。
- 对于半球罩的一般清洁，建议将无腐蚀性、不含溶剂的中性肥皂或洗涤剂与纯水混合，并使用柔软、干净的布进行清洁。用温水冲洗干净。用柔软干净的布擦干，以防止水渍。
- 切勿使用刺激性洗涤剂、汽油、笨或丙酮等，并避免在阳光直射或高温下清洁半球罩。

Installation Guide

AXIS Q3517-LV Network Camera

© 2017 - 2021 Axis Communications AB

Ver. M2.2

Date: May 2021

Part No. 1744514