

INSTALLATION GUIDE

AXIS T8051 Power Converter AC/DC

ENGLISH

FRANÇAIS

DEUTSCH

ITALIANO

ESPAÑOL

日本語

Electromagnetic Compatibility (EMC)

This equipment has been designed and tested to fulfill applicable standards for:


- Radio frequency emission when installed according to the instructions and used in its intended environment.
- Immunity to electrical and electromagnetic phenomena when installed according to the instructions and used in its intended environment.

USA – This equipment has been tested using a shielded network cable (STP) and found to comply with the limits for a Class B digital device, pursuant to part 15 of the FCC Rules. These limits are designed to provide reasonable protection against harmful interference in a residential installation. This equipment generates, uses and can radiate radio frequency energy and, if not installed and used in accordance with the instructions, may cause harmful interference to radio communications. However, there is no guarantee that interference will not occur in a particular installation. If this equipment does cause harmful interference to radio or television reception, which can be determined by turning the equipment off and on, the user is encouraged to try to correct the interference by one or more of the following measures:

- Reorient or relocate the receiving antenna.
- Increase the separation between the equipment and receiver.
- Connect the equipment into an outlet on a circuit different from that to which the receiver is connected.

- Consult the dealer or an experienced radio/TV technician for help.

Canada – This Class B digital apparatus complies with Canadian ICES-003.

Europe –  This digital equipment fulfills the requirements for RF emission according to the Class B limit of EN 55022.

This product fulfills the requirements for emission and immunity according to EN 50121-4 and IEC 62236-4 railway applications.

This product fulfills the requirements for immunity according to EN 61000-6-1 residential, commercial and light-industrial environments.

This product fulfills the requirements for immunity according to EN 61000-6-2 industrial environments.

This product fulfills the requirements for immunity according to EN 55024 residential and commercial environments.

Australia/New Zealand

This digital equipment fulfills the requirements for RF emission according to the Class B limit of AS/NZS CISPR 22.

Korea – 이 기기는 가정용(B급) 전자파적합기기로서 주로 가정에서 사용하는 것을 목적으로 하며, 모든 지역에서 사용할 수 있습니다.

Japan – この装置は、クラスB 情報技術装置です。この装置は、家庭環境で使用することを目的としていますが、この装置がラジオやテレビジョン受信機に近接して使用されると、受信障害を引き起こすことがあります。取扱説明書に従って正しい取り扱いをして下さい。

Safety

This product complies with IEC/EN/UL 60950-22, Safety of Information Technology Equipment.

The power supply used with this product shall fulfill the requirements for Safety Extra Low Voltage (SELV) and Limited Power Source (LPS) according to EN/IEC/UL 60950-22.

Equipment Modifications

This equipment must be installed and used in strict accordance with the instructions given in the user documentation. This equipment contains no user-serviceable components. Unauthorized equipment changes or modifications will invalidate all applicable regulatory certifications and approvals.

Liability

Every care has been taken in the preparation of this document. Please inform your local Axis office of any inaccuracies or omissions. Axis Communications AB cannot be held responsible for any technical or typographical errors and reserves the right to make changes to the product and documentation without prior notice. Axis Communications AB makes no warranty of any kind with regard to the material contained within this document, including, but not limited to, the implied warranties of merchantability and fitness for a particular purpose. Axis Communications AB shall not be liable nor responsible for incidental or consequential damages in connection with the furnishing, performance or use of this material. This product is only to be used for its intended purpose.

Disposal and Recycling

When this product has reached the end of its useful life, dispose of it according to local laws and regulations. For information about

your nearest designated collection point, contact your local authority responsible for waste disposal. In accordance with local legislation, penalties may be applicable for incorrect disposal of this waste.

Europe

This symbol means that the product shall not be disposed of together with household or commercial waste.



Directive 2012/19/EU on waste electrical and electronic equipment (WEEE) is applicable in the European Union member states. To prevent potential harm to human health and the environment, the product must be disposed of in an approved and environmentally safe recycling process. For information about your nearest designated collection point, contact your local authority responsible for waste disposal. Businesses should contact the product supplier for information about how to dispose of this product correctly.

This product complies with the requirements of Directive 2011/65/EU on the restriction of the use of certain hazardous substances in electrical and electronic equipment (RoHS).

China

This product complies with the requirements of the legislative act Administration on the Control of Pollution Caused by Electronic Information Products (ACPEIP).



Support

Should you require any technical assistance, please contact your Axis

reseller. If your questions cannot be answered immediately, your reseller will forward your queries through the appropriate channels to ensure a rapid response. If you are connected to the Internet, you can:

- download user documentation and firmware updates
- find answers to resolved problems in the FAQ database. Search by product, category, or phrases
- report problems to Axis support by logging in to your private support area.

Safeguards

Please read through this Installation Guide carefully before installing the Axis product. Keep the Installation Guide for further reference.

NOTICE

- Store the Axis product in a dry and ventilated environment.
- Avoid exposing the Axis product to vibration, shocks or heavy pressure.
- Do not install the product on unstable brackets, unstable or vibrating surfaces or walls, since this could cause damage to the product.
- Only use applicable tools when installing the Axis product; excessive force could cause damage to the product.
- Do not use chemicals, caustic agents, or aerosol cleaners. Use a damp cloth for cleaning.
- Use only accessories that comply with technical specification of the product. These can be provided by Axis or a third party.
- Use only spare parts provided by or

recommended by Axis.

- Do not attempt to repair the product by yourself, contact Axis or your Axis reseller for service matters.

Important

- This Axis product shall be used in compliance with local laws and regulations.

AVIS

- Conservez le produit Axis dans un environnement sec et aéré.
- Évitez d'exposer le produit Axis aux vibrations, aux chocs ou à une forte pression. N'installez pas le produit sur un support instable, ou des surfaces ou des murs instables ou vibrants, car cela pourrait l'endommager.
- N'utilisez que les outils applicables pour installer le produit Axis ; une force excessive pourrait endommager le produit.
- Pour le nettoyage, n'utilisez ni produits chimiques, ni substances caustiques ou aérosols. Utilisez un chiffon humide pour le nettoyage.
- N'utilisez que des accessoires conformes aux caractéristiques techniques du produit. Ceux-ci peuvent être fournis par Axis ou par un fournisseur tiers.
- Utilisez uniquement des pièces de rechange fournies ou recommandées par Axis.
- Ne tentez pas de réparer le produit vous-même, contactez Axis ou votre revendeur Axis pour toute réparation.

Important

- Ce produit Axis doit être utilisé conformément aux lois et réglementations locales en vigueur.

HINWEIS

- Lagern Sie das Axis-Produkt in einer trockenen und belüfteten Umgebung.
- Setzen Sie das Axis Produkt keinen Vibrationen, Erschütterungen oder starkem Druck aus. Installieren Sie das Produkt nicht an instabilen Halterungen oder instabilen oder vibrierenden Oberflächen oder Mauern, da dadurch das Produkt beschädigt werden könnte.
- Verwenden Sie bei der Installation des Axis Produkts nur geeignetes Werkzeug; zu hoher Kraftaufwand kann das Produkt beschädigen.
- Verwenden Sie keine chemischen, ätzenden oder aerosolhaltigen Reinigungsmittel.
- Verwenden Sie zur Reinigung ein feuchtes Tuch.
- Verwenden Sie nur Zubehör, das den technischen Spezifikationen des Produkts entspricht. Dieses ist von Axis oder Drittanbietern erhältlich.
- Verwenden Sie nur Ersatzteile, die von Axis empfohlen bzw. bereitgestellt wurden.
- Versuchen Sie nicht, das Produkt selbst zu reparieren. Wenden Sie sich bei Service- Angelegenheiten an Axis oder an Ihren Axis-Händler.

Wichtig

Verwenden Sie dieses Axis-Produkt unter Beachtung der vor Ort geltenden rechtlichen Bestimmungen.

AVVISO

- Conservare il prodotto Axis in un ambiente asciutto e ben ventilato.
- Evitare di esporre il prodotto Axis alle vibrazioni, agli urti o a forte pressione. Non installare il prodotto su staffe instabili, superfici o pareti instabili o vibranti, poiché ciò potrebbe danneggiare il prodotto.
- Utilizzare solo strumenti idonei quando si installa il prodotto Axis. Una forza eccessiva potrebbe danneggiare il prodotto.
- Non utilizzare sostanze chimiche, agenti caustici o detergenti spray. Utilizzare un panno umido per la pulizia.
- Utilizzare solo accessori conformi con le specifiche tecniche del prodotto. Queste possono essere fornite da Axis o da terze parti.
- Utilizzare solo parti di ricambio fornite o raccomandate da Axis.
- Non tentare di riparare il prodotto da soli, contattare Axis o il rivenditore di zona Axis per assistenza.

Importante

- Questo prodotto Axis deve essere utilizzato in conformità alle leggi e alle disposizioni locali.

AVVISO

- Guarde el producto Axis en un entorno seco y ventilado.
- Evite exponer el producto Axis a vibraciones, golpes o presiones excesivas. No instale el producto en soportes inestables ni en superficies o paredes inestables o con vibraciones, ya que esto podría

だñado.

- Utilice solo las herramientas apropiadas para instalar el producto Axis; una fuerza excesiva podría dañado.
- No utilice productos químicos, agentes cáusticos ni limpiadores en aerosol. Límpielo con un paño húmedo.
- Utilice solo accesorios que cumplan las especificaciones técnicas del producto. Puede obtenerlos de Axis o de un tercero.
- Utilice solo piezas de recambio suministradas o recomendadas por Axis.
- No intente reparar el producto usted mismo, póngase en contacto con Axis o con el distribuidor de Axis para los temas de servicio técnico.

Importante

- Este producto Axis se utilizará de conformidad con la legislación y normativas locales.

注記

- 本製品は、乾燥した通気の良い環境に保管してください。
- 本製品に衝撃または強い圧力を加えないでください。
- 本製品を不安定なブラケット、場所または壁に設置しないでください。
- 本製品を設置する際には、適切な工具のみを使用してください。不適切な工具を使用すると、製品に過剰な力がかかり、損傷することがあります。
- 化学薬品、腐食剤、噴霧式クリ

ナーは使用しないでください。清掃はきれいな水に浸した清潔な布を使用して行ってください。

- 製品の技術仕様に準拠したアクセサリのみを使用してください。Axisまたはサードパーティから入手することができます。
- Axis が提供または推奨する交換部品のみを使用してください。
- 製品を自分で修理しないでください。修理に関しては、Axis または Axis の販売代理店にお問い合わせください。

重要な

- 本製品は、お使いになる国、地域の法律、規制にしたがって使用してください。

Contact Information

Axis Communications AB
Emdalavägen 14
223 69 Lund
Sweden
Tel: +46 46 272 18 00
Fax: +46 46 13 61 30

www.axis.com

Warranty



Power Information

AXIS Q3505-VE

15W@12 V DC

21.3VA@24 V AC



1x



1x



1x

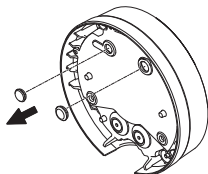


1x



1x

①



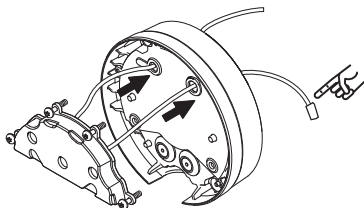
Note:

For further information about the network camera and its parts, refer to the Axis camera's installation guide.

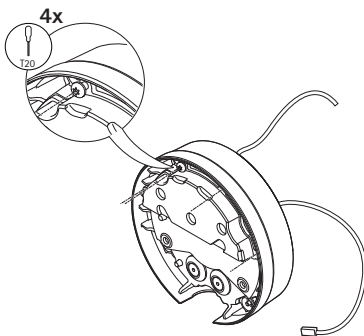
Separate the mounting bracket from the unit casing and use the extended mounting bracket.

Remove the two plugs from the holes in the unit casing.

②



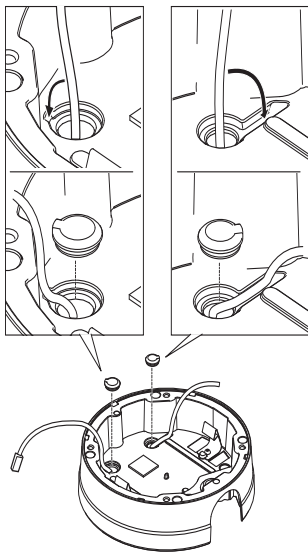
③



Route the two cables in the AC/DC module through the two holes in back of the unit casing. The cable with the connector goes into the hole on the right.

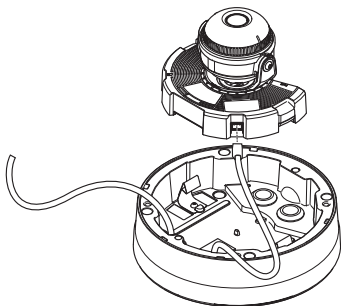
Attach the AC/DC module onto the unit casing with the four supplied screws.

4

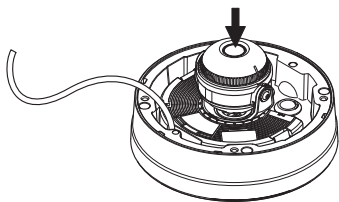


Draw the cables along the grooves and press the supplied cable guides in the holes to keep them in place.

5

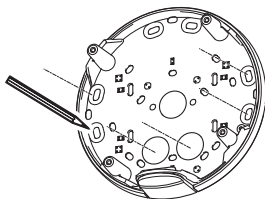
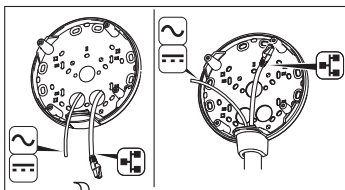


6



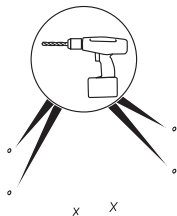
Connect the DC cable to the power connector in the camera unit. Attach the camera to the unit casing.

7

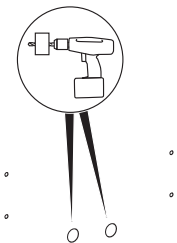


Using the drill template mark the holes for attaching the mounting bracket on the wall.

8

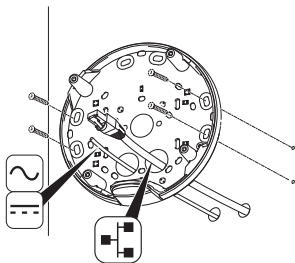


9

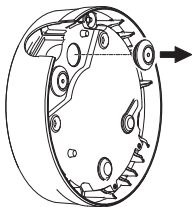


Drill holes for attaching the mounting bracket to the wall, and holes for cables if cables are to be drawn through the wall.

10



11

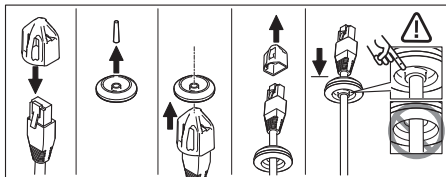


Draw the cables through the hole or holes in the mounting bracket and through the gaskets in the unit casing.

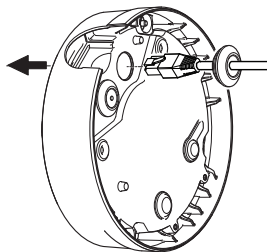
Connect the AC/DC cables coming from the wall and from the AC/DC module according to the table below.

Wires	Specifications
Red	+ DC or AC
Black	- DC or AC

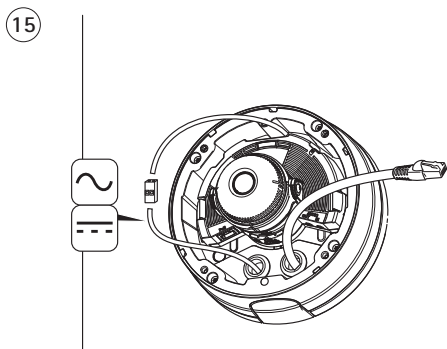
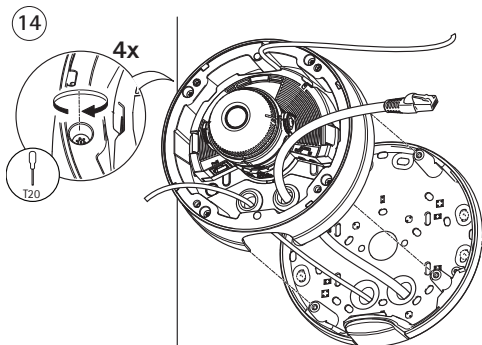
12



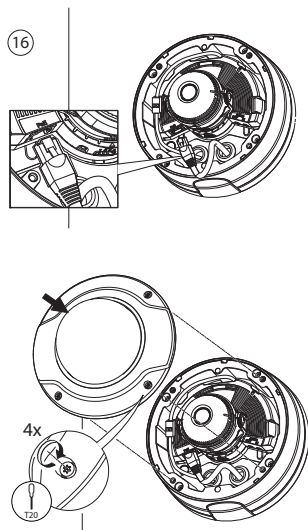
13



Push the network cable through the black cable gasket in one of the holes in the unit casing, using the connector guard provided. Pull the network cable back slightly so that the cable gasket adjusts itself on the cable.



Draw the AC/DC cable through the 3mm cable gasket. Connect the AC/DC cable to the power connector.



Connect the network cable to the camera and put the dome cover in place.

Informations sur l'alimentation

AXIS Q3505-VE

15 W à 12 V CC

21,3 VA à 24 V CA



1x



1x



1x

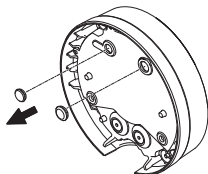


1x



1x

①

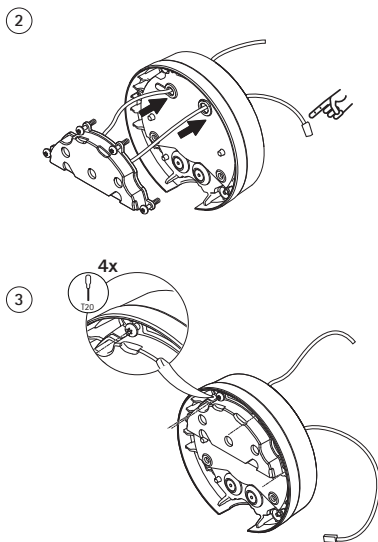


Remarque :

Pour plus d'informations concernant la caméra réseau et ses pièces, reportez-vous à son guide d'installation.

Séparez le support de montage du boîtier de l'unité et utilisez le support de montage rallongé.

Retirez les deux caches obturant les trous du boîtier de l'unité.

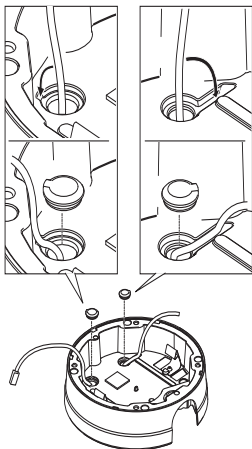


Faites passer les deux câbles dans le module CA/CC par les deux trous situés à l'arrière du boîtier de l'unité. Le câble équipé du connecteur passe par le trou situé à droite.

Fixez le module CA/CC au boîtier de l'unité à l'aide des quatre vis fournies.

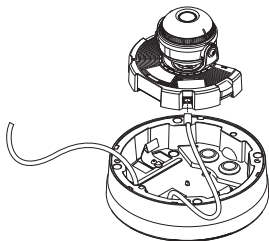
④

i

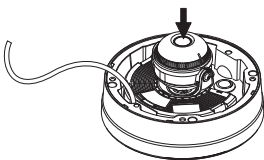


Faites passer les câbles dans les rainures et appuyez sur les guides de câbles fournis pour les maintenir en place dans les trous.

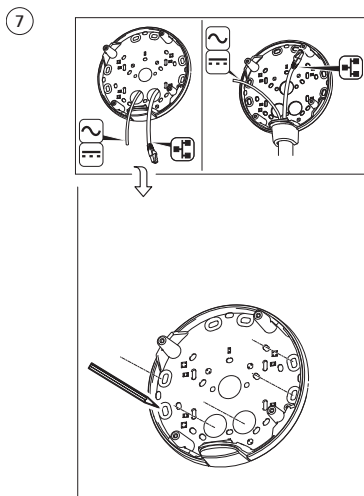
5



6

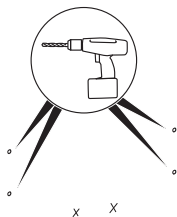


Connectez le câble CC au connecteur d'alimentation de la caméra. Fixez la caméra au boîtier de l'unité.

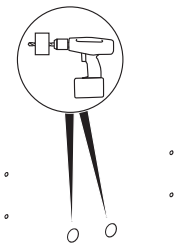


À l'aide du gabarit de perçage, marquez les trous destinés à fixer le support de montage au mur.

8

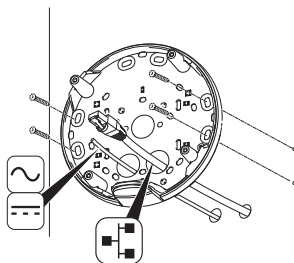


9

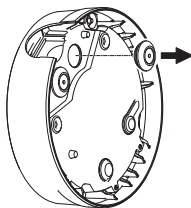


Percez les trous pour fixer le support au mur, ainsi que les trous permettant le passage des câbles si ceux-ci doivent passer à travers le mur.

10



11



Faites passer les câbles via le ou les trous du support de montage et à travers les joints du boîtier de l'unité.

Branchez les câbles CA/CC sortant du mur et du module CA/CC selon le tableau ci-dessous.

Câbles

Rouge

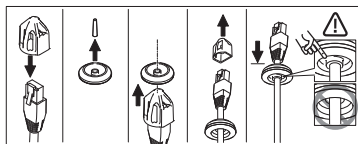
Noir

Caractéristiques

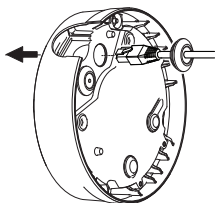
+ CC ou CA

- CC ou CA

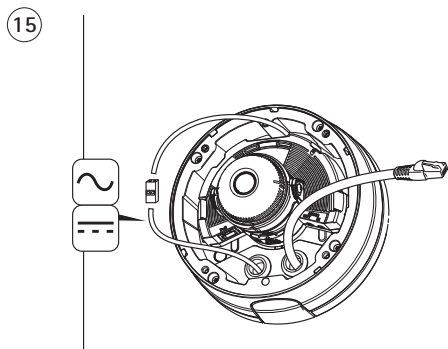
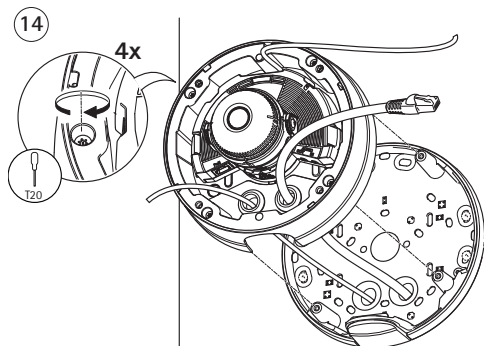
12



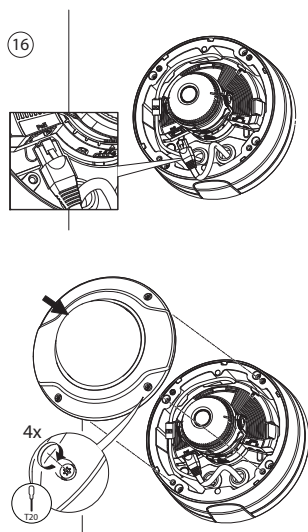
13



Acheminez le câble réseau et le joint du câble noir à travers les trous du boîtier de l'unité à l'aide du connecteur fourni. Tirez légèrement sur le câble réseau pour que le joint s'ajuste.



Faites glisser le câble CA/CC à travers le joint de câble de 3 mm.
Connectez le câble CA/CC au connecteur d'alimentation.



Branchez le câble réseau à la caméra et mettez le couvercle du dôme en place.

Leistungsdaten

AXIS Q3505-VE

15 W bis 12 V DC

21,3 VA bei 24 V AC



1x



1x



1x

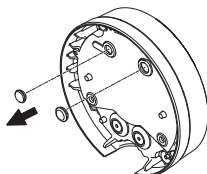


1x



1x

①



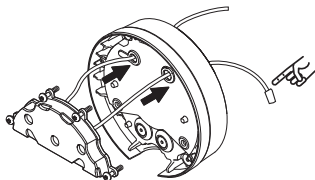
Hinweis:

Weitere Informationen zu der Netzwerk-Kamera und entsprechenden Teilen finden Sie in der Installationsanleitung der Kamera.

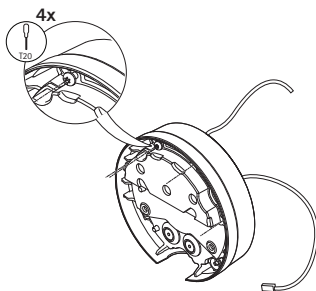
Nehmen Sie die Montagehalterung vom Kameragehäuse ab, und verwenden Sie die verlängerte Montagehalterung.

Entfernen Sie die beiden Stopfen aus den Bohrungen im Kameragehäuse.

2



3

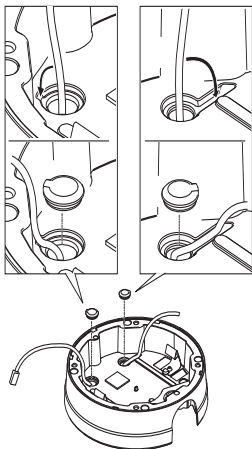


Führen Sie die beiden Kabel des Wechselstrom-/Gleichstrom-Moduls durch die beiden Bohrungen auf der Rückseite des Kameragehäuses. Das Kabel mit dem Stecker wird dabei durch die rechte Bohrung geführt.

Befestigen Sie das Wechselstrom-/Gleichstrom-Modul mithilfe der vier mitgelieferten Schrauben am Kameragehäuse.

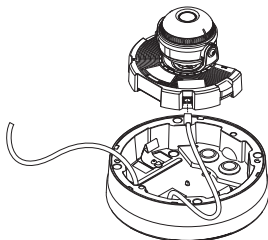
4

i

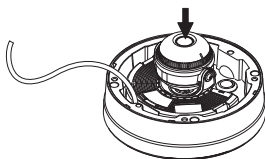


Verlegen Sie die Kabel in den Nuten, und setzen Sie die mitgelieferten Kabelführungen in die Bohrungen ein, um die Kabel zu fixieren.

5

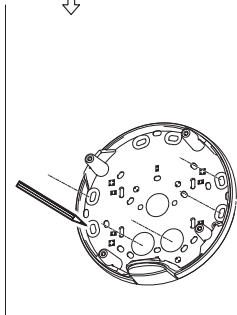
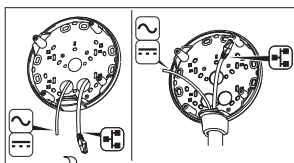


6



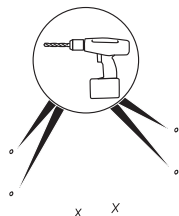
Schließen Sie das Gleichstromkabel an den Stromanschluss in der Kameraeinheit an. Bringen Sie die Kamera am Kameragehäuse an.

7

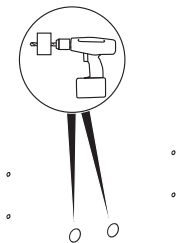


Markieren Sie die Bohrungen zum Befestigen der Montagehalterung an der Wand mithilfe der Bohrschablone.

8

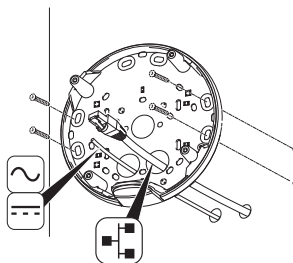


9

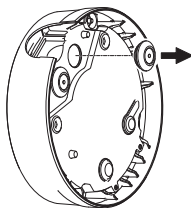


Bohren Sie die Löcher zum Befestigen der Montagehalterung an der Wand sowie Löcher für Kabel, wenn diese durch die Wand gezogen werden sollen.

10



11



Ziehen Sie die Kabel durch die Bohrung bzw. die Bohrungen in der Montagehalterung und durch die Dichtungen im Kameragehäuse.

Schließen Sie die Wechselstrom-/Gleichstrom-Kabel von der Wand und vom Wechselstrom-/Gleichstrom-Modul gemäß der folgenden Tabelle an.

Leitungen

Rot

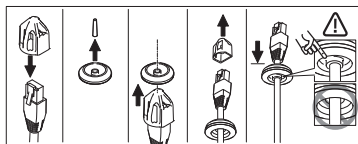
Schwarz

Technische Daten

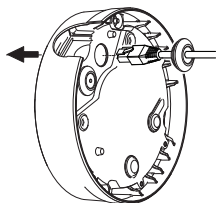
Gleichstrom (+) oder Wechselstrom

- Gleichstrom oder Wechselstrom

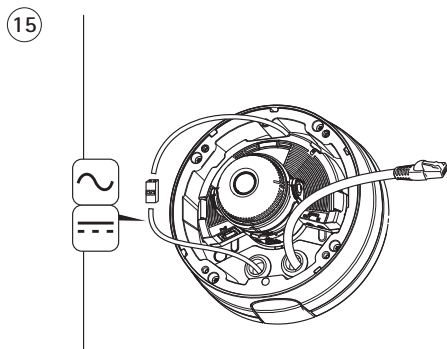
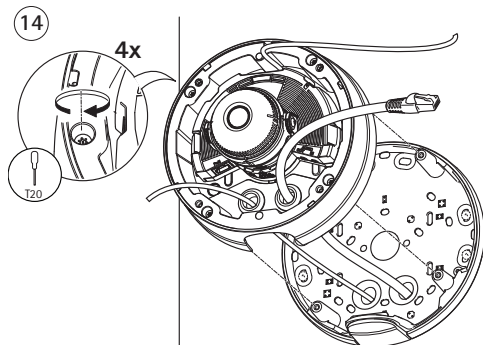
12



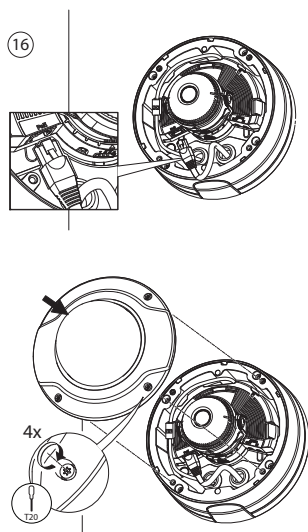
13



Führen Sie das Netzkabel mithilfe des mitgelieferten Anschlussstücks durch die schwarze Kabeldichtung in einer der Bohrungen am Kameragehäuse. Ziehen Sie das Netzkabel ein wenig zurück, bis die Kabeldichtung bündig um das Kabel sitzt.



Ziehen Sie das Wechselstrom-/Gleichstromkabel durch die 3-mm-Kabeldichtung. Verbinden Sie das Wechselstrom-/Gleichstromkabel mit dem Stromanschluss.



Schließen Sie das Netzkabel an der Kamera an, und setzen Sie die Kuppelabdeckung auf.

Informazioni sull'alimentazione

AXIS Q3505-VE

15 W@12 V DC

21,3 VA@24 V CA



1x



1x



1x

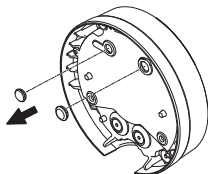


1x



1x

①

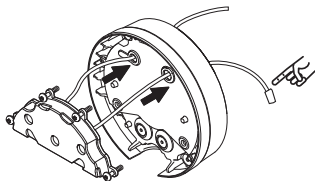
**Nota:**

Per ulteriori informazioni sulla telecamera di rete e sulle sue parti, consultare la guida all'installazione della telecamera.

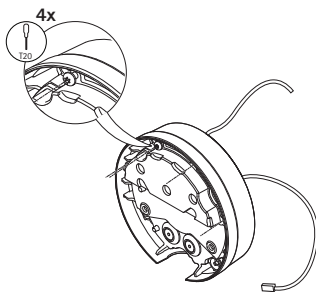
Separare la staffa di montaggio dal casing dell'unità e utilizzare la staffa di montaggio estesa.

Rimuovere i tasselli dai fori del casing dell'unità.

2



3

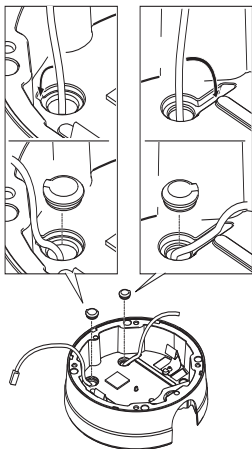


Far passare i due cavi nel modulo CA/CC attraverso i due fori sul retro del casing dell'unità. Il cavo con il connettore va nel foro sulla destra.

Fissare il modulo CA/CC sul casing dell'unità con le quattro viti fornite.

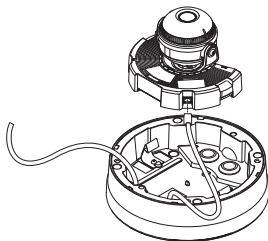
④

i

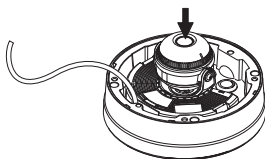


Far passare i cavi lungo le scanalature e premere le guide fornite nei fori per mantenere i cavi in posizione.

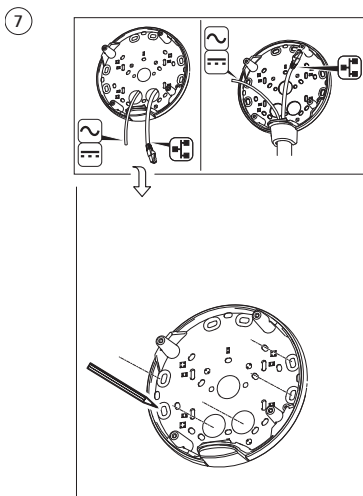
5



6

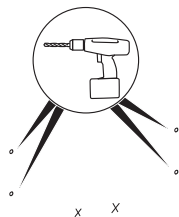


Collegare il cavo CC al connettore di alimentazione sull'unità telecamera. Collegare la telecamera al casing dell'unità.

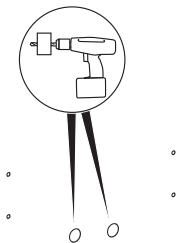


Utilizzando la maschera di foratura, contrassegnare i fori per fissare la staffa di montaggio alla parete.

8

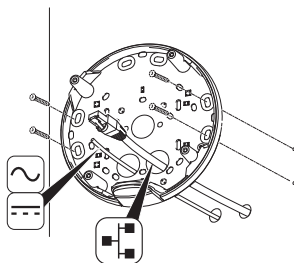


9

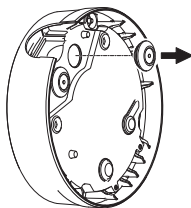


Creare i fori per fissare la staffa di montaggio sulla parete e i fori per i cavi se i cavi devono passare attraverso la parete.

10



11

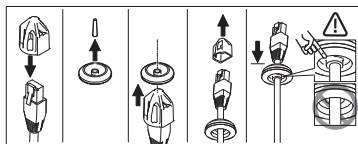


Far passare i cavi attraverso i fori sulla staffa di montaggio e attraverso le guarnizioni nel casing dell'unità.

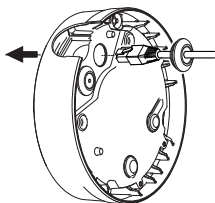
Collegare i cavi CA/CC che escono dalla parete e dal modulo CA/CC secondo quanto riportato nella tabella seguente.

Cavi	Specifiche
Rosso	+ CC o CA
nero	- CC o CA

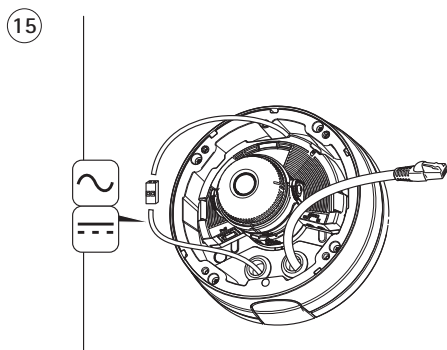
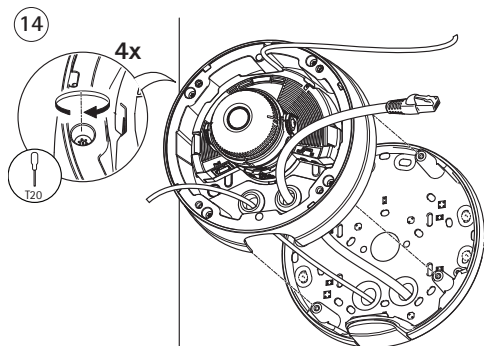
12



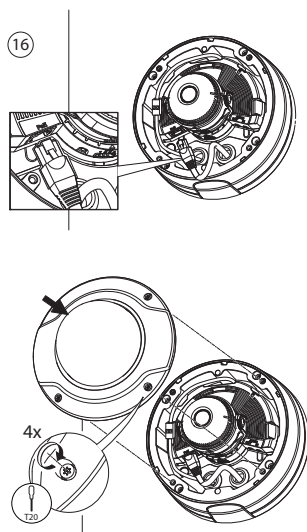
13



Premere il cavo di rete attraverso la relativa guarnizione nera in uno dei fori del casing dell'unità utilizzando l'alloggiamento fornito. Tirare delicatamente il cavo di rete in modo da adattare la guarnizione al cavo.



Far passare il cavo CA/CC attraverso la guarnizione per cavi da 3 mm.
Collegare il cavo CA/CC al connettore di alimentazione.



Collegare il cavo di rete alla telecamera e riposizionare la copertura della cupola.

Información de alimentación

AXIS Q3505-VE

15 W a 12 V CC

21,3 VA a 24 V CA



1x



1x



1x

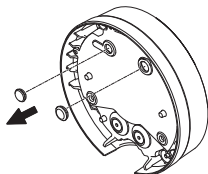


1x



1x

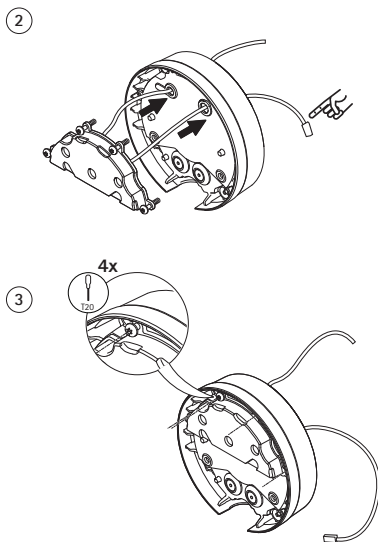
①

**Nota:**

Para obtener más información sobre la cámara de red y sus piezas, consulte la Guía de instalación de la cámara.

Separe el soporte de montaje de la carcasa de la unidad y utilice el soporte de montaje ampliado.

Quite los dos tapones de los orificios de la carcasa de la unidad.

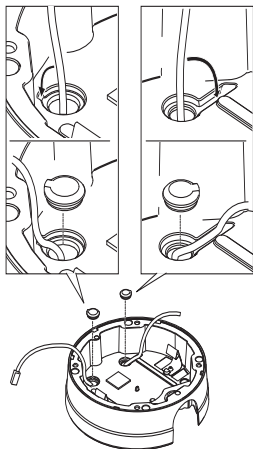


Haga pasar los dos cables del módulo de CA/CC a través de los dos orificios de la parte posterior de la carcasa de la unidad. El cable con el conector debe pasar por el orificio de la derecha.

Fije el módulo de CA/CC a la carcasa de la unidad con los cuatro tornillos suministrados.

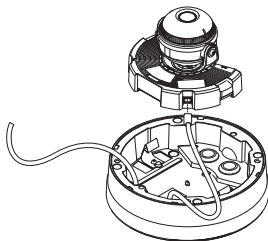
4

i

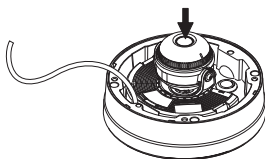


Disponga los cables a lo largo de las muescas y presione las guías de cables suministradas en los orificios para que los cables no se muevan de su sitio.

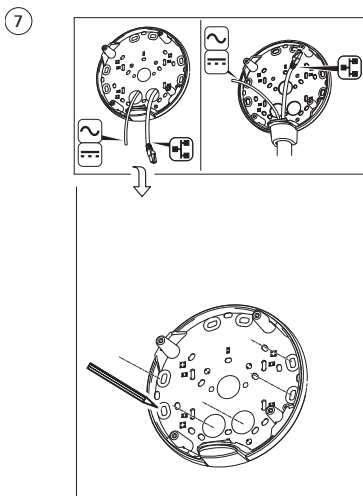
5



6

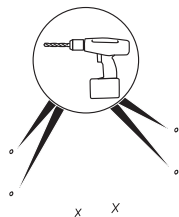


Conecte el cable de CC al conector de alimentación de la unidad de la cámara. Fije la cámara a la carcasa de la unidad.

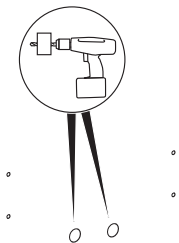


Utilice la plantilla de perforado para marcar los orificios para fijar el soporte de montaje a la pared.

8

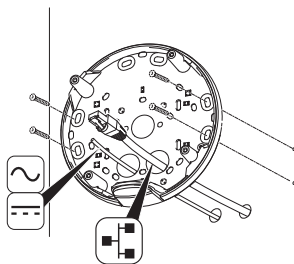


9

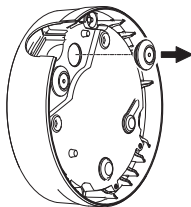


Perfore los orificios para fijar el soporte de montaje a la pared, así como los orificios para los cables si los cables van a atravesar la pared.

10



11

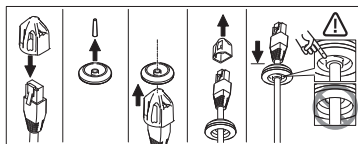


Pase los cables a través del orificio u orificios del soporte de montaje y a través de las juntas de la carcasa de la unidad.

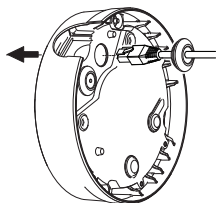
Conecte los cables de CA/CC que vienen de la pared y del módulo de CA/CC según la siguiente tabla.

Cables	Especificaciones
Rojo	+ CC o CA
Negro	- CC o CA

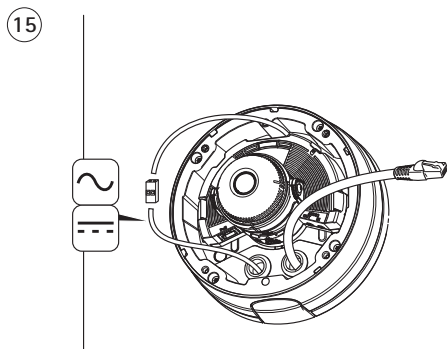
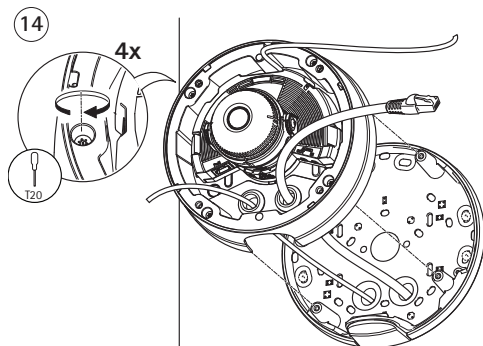
12



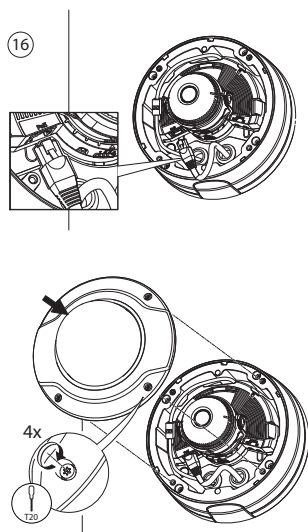
13



Empuje el cable de red a través de la junta de cable negra de uno de los orificios de la carcasa de la unidad, usando el protector del conector facilitado. Tire del cable de red hacia atrás suavemente de manera que la junta de cable se ajuste en el cable.



Pase el cable de CA/CC a través de la junta de cable de 3 mm. Conecte el cable de CC/CA al conector de alimentación.



Conecte el cable de red a la cámara y coloque en su sitio la cubierta del domo.

電源について

AXIS Q3505-VE

15 W@12 V DC

21.3 VA@24 V AC



1x



1x



1x

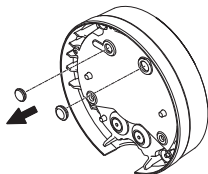


1x



1x

①



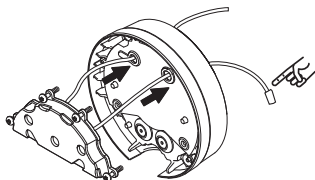
注意：

ネットワークカメラとその部品の詳細については、カメラのインストールガイドを参照してください。

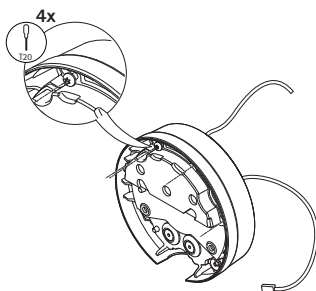
ユニットケーシングから取り付けブラケットを外し、拡張取り付けブラケットを使用します。

ユニットケーシングの穴から2つのプラグを取り外します。

②



③

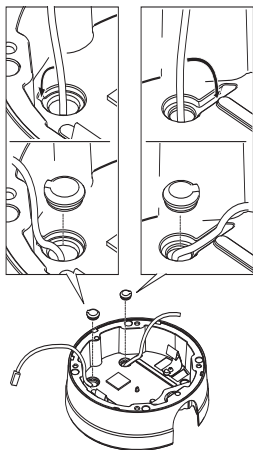


AC/DC モジュールの 2 本のケーブルを、ユニットケーシングの裏の 2 つの穴に通します。その際、コネクタの付いたケーブルを右側の穴に通します。

付属のネジ 4 本を使用して、AC/DC モジュールをユニットケーシングに取り付けます。

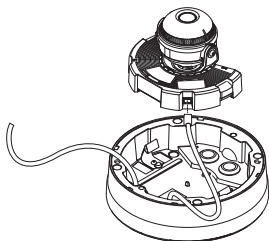
④

ⓘ

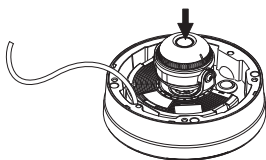


ケーブルを溝にはめ込み、付属のケーブルガイドを穴に押し込んでケーブルを固定します。

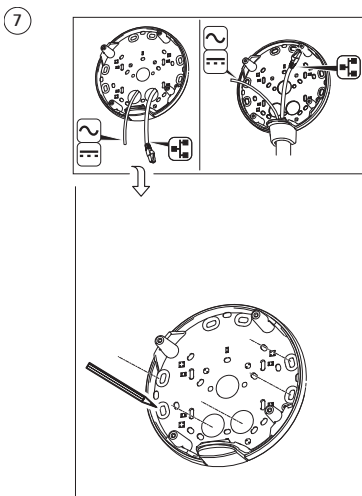
⑤



⑥

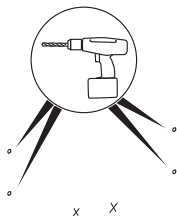


DC ケーブルをカメラユニットの電源コネクタに接続します。カメラをユニットケーシングに取り付けます。

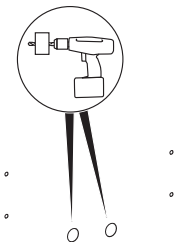


取り付けブラケットの取り付け穴の位置を、ドリルテンプレートを
使用して壁面に印を付けます。

8

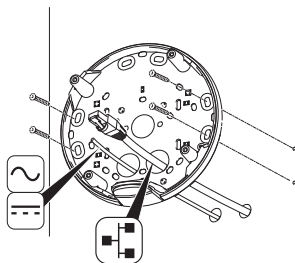


9

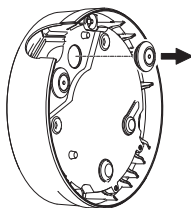


ドリルを使用して、取り付けブラケットの取り付け穴を開けます。
壁を通してケーブルを配線する場合は、ケーブル用の穴も開けます。

10



11



ケーブルを取り付けブラケットの穴に通し、さらに、ユニットケーシングのガスケットに通します。

以下の表に従って、壁面および AC/DC モジュールからの AC/DC ケーブルを接続します。

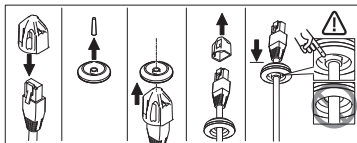
ワイヤー

赤
黒

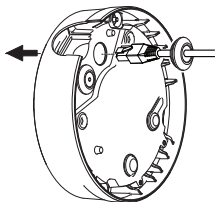
仕様

+ DC または AC
- DC または AC

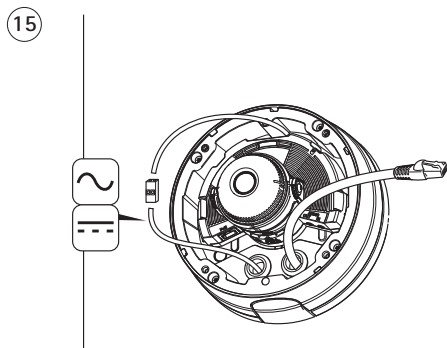
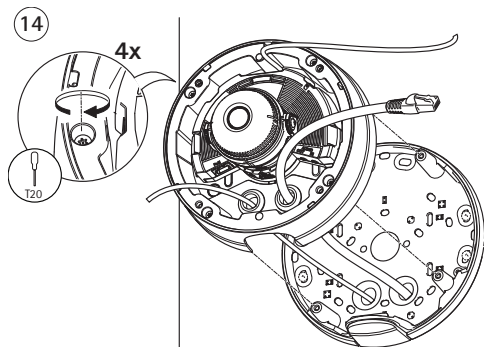
12



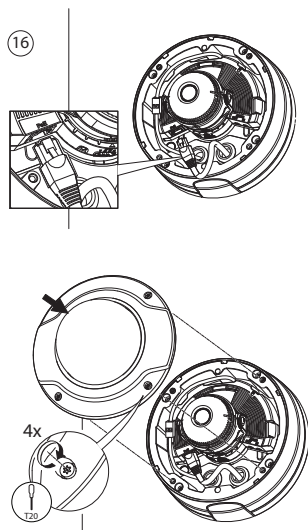
13



付属のコネクタガードを使用して、ユニットケーシングの孔の1つに、黒いケーブルガasketを通してネットワークケーブルを押し込みます。ネットワークケーブルを少し手前に引き、ケーブルガasketをケーブルにぴったりと合わせます。



AC/DC ケーブルを 3mm ケーブルガスケットに通します。AC/DC ケーブルを電源コネクタに接続します。



ネットワークケーブルをカメラに接続し、ドームカバーを取り付けます。

Installation Guide

AXIS T8051 Power Converter AC/DC

© Axis Communications AB, 2014-2015

Ver.1.2

Printed: March 2015

Part No. 63062