

ENGLISH

FRANÇAIS

DEUTSCH

ITALIANO

ESPAÑOL

日本語

中文

AXIS P13-E Series

AXIS P1364-E Network Camera

AXIS P1365-E Network Camera

Installation Guide

Legal Considerations

Video and audio surveillance can be regulated by laws that vary from country to country. Check the laws in your local region before using this product for surveillance purposes.

This product includes one (1) H.264 decoder license and one (1) AAC decoder license. To purchase further licenses, contact your reseller.

Liability

Every care has been taken in the preparation of this document. Please inform your local Axis office of any inaccuracies or omissions. Axis Communications AB cannot be held responsible for any technical or typographical errors and reserves the right to make changes to the product and manuals without prior notice. Axis Communications AB makes no warranty of any kind with regard to the material contained within this document, including, but not limited to, the implied warranties of merchantability and fitness for a particular purpose. Axis Communications AB shall not be liable nor responsible for incidental or consequential damages in connection with the furnishing, performance or use of this material. This product is only to be used for its intended purpose.

Intellectual Property Rights

Axis AB has intellectual property rights relating to technology embodied in the product described in this document. In particular, and without limitation, these intellectual property rights may include one or more of the patents listed at www.axis.com/patent.htm and one or more additional patents or pending patent applications in the US and other countries.

This product contains licensed third-party software. See the menu item "About" in the product's user interface for more information.

This product contains source code copyright Apple Computer, Inc., under the terms of Apple Public Source License 2.0 (see www.opensource.apple.com/aps/). The source code is available from <https://developer.apple.com/bonjour/>

Equipment Modifications

This equipment must be installed and used in strict accordance with the instructions given in the user documentation. This equipment contains no user-serviceable components. Unauthorized equipment changes or modifications will invalidate all applicable regulatory certifications and approvals.

Trademark Acknowledgments

AXIS COMMUNICATIONS, AXIS, ETRAX, ARTPEC and VAPIX are registered trademarks or trademark applications of Axis AB in various jurisdictions. All other company names and products are trademarks or registered trademarks of their respective companies.

Apple, Boa, Apache, Bonjour, Ethernet, Internet Explorer, Linux, Microsoft, Mozilla, Real, SMPTE, QuickTime, UNIX, Windows, Windows Vista and WWW are registered trademarks of the respective holders. Java and all Java-based trademarks and logos are trademarks or registered trademarks of Oracle and/or its affiliates. UPnP™ is a certification mark of the UPnP™ Implementers Corporation.

SD, SDHC and SDXC are trademarks or registered trademarks of SD-3C, LLC in the United States, other countries or both. Also, miniSD, microSD, miniSDHC, microSDHC, microSDXC are all trademarks or registered trademarks of SD-3C, LLC in the United States, other countries or both.

Regulatory Information

Europe

CE This product complies with the applicable CE marking directives and harmonized standards:

- Electromagnetic Compatibility (EMC) Directive 2004/108/EC. See *Electromagnetic Compatibility (EMC) 2*.
- Low Voltage (LVD) Directive 2006/95/EC. See *Safety 3*.
- Restrictions of Hazardous Substances (RoHS) Directive 2011/65/EU. See *Disposal and Recycling 3*.

A copy of the original declaration of conformity may be obtained from Axis Communications AB. See *Contact Information 3*.

Electromagnetic Compatibility (EMC)

This equipment has been designed and tested to fulfill applicable standards for:

- Radio frequency emission when installed according to the instructions and used in its intended environment.
- Immunity to electrical and electromagnetic phenomena when installed according to the instructions and used in its intended environment.

USA

AXIS P1364-E:

This equipment has been tested using an unshielded network cable (UTP) and found to comply with the limits for a Class A digital device, pursuant to part 15 of the FCC rules. This equipment has also been tested using a shielded network cable (STP) and found to comply with the limits for a Class A digital device, pursuant to part 15 of the FCC rules. These limits are designed to provide reasonable protection against harmful interference when the equipment is operated in a commercial environment. This equipment generates, uses, and can radiate radio frequency energy and, if not installed and used in accordance with the instruction manual, may cause harmful interference to radio communications. Operation of this equipment in a residential area is likely to cause harmful interference in which case the user will be required to correct the interference at his own expense.

AXIS P1365-E:

Using an unshielded network cable (UTP) – This equipment has been tested using an unshielded network cable (UTP) and found to comply with the limits for a Class A digital device, pursuant to part 15 of the FCC Rules. These limits are designed to provide reasonable protection against harmful interference when the equipment is operated in a commercial environment. This equipment generates, uses, and can radiate radio frequency energy and, if not installed and used in accordance with the instruction manual, may cause harmful interference to radio communications. Operation of this equipment in a residential area is likely to cause harmful interference in which case the user will be required to correct the interference at his own expense.

Using a shielded network cable (STP) – This equipment has also been tested using a shielded network cable (STP) and found to comply with the limits for a Class B digital device, pursuant to part 15 of the FCC Rules. These limits are designed to provide reasonable protection against harmful interference in a residential installation. This equipment generates, uses and can radiate radio frequency energy and, if not installed and used in accordance with the instructions, may cause harmful interference to radio communications. However, there is no guarantee that interference will not occur in a particular installation. If this equipment does cause harmful interference to radio or

television reception, which can be determined by turning the equipment off and on, the user is encouraged to try to correct the interference by one or more of the following measures:

- Reorient or relocate the receiving antenna.
- Increase the separation between the equipment and receiver.
- Connect the equipment into an outlet on a circuit different from that to which the receiver is connected.
- Consult the dealer or an experienced radio/TV technician for help.

To be used in a residential area or a demanding electrical environment, the product shall be connected using a shielded network cable (STP) that is properly grounded.

Canada

AXIS P1364-E: This digital apparatus complies with CAN ICES-3 (Class A). The product shall be connected using a shielded network cable (STP) that is properly grounded. Cet appareil numérique est conforme à la norme NMB ICES-3 (classe A). Le produit doit être connecté à l'aide d'un câble réseau blindé (STP) qui est correctement mis à la terre.

AXIS P1365-E: This digital apparatus complies with CAN ICES-3 (Class B). The product shall be connected using a shielded network cable (STP) that is properly grounded. Cet appareil numérique est conforme à la norme CAN NMB-3 (classe B). Le produit doit être connecté à l'aide d'un câble réseau blindé (STP) qui est correctement mis à la terre.

Europe

AXIS P1364-E: This digital equipment fulfills the requirements for RF emission according to the Class A limit of EN 55022. The product shall be connected using a shielded network cable (STP) that is properly grounded. Notice! This is a Class A product. In a domestic environment this product may cause RF interference, in which case the user may be required to take adequate measures.

AXIS P1365-E: This digital equipment fulfills the requirements for RF emission according to the Class B limit of EN 55022. The product shall be connected using a shielded network cable (STP) that is properly grounded.

This product fulfills the requirements for immunity according to EN 61000-6-1 residential, commercial and light-industrial environments.

This product fulfills the requirements for immunity according to EN 61000-6-2 industrial environments.

This product fulfills the requirements for immunity according to EN 55024 office and commercial environments.

Australia/New Zealand

AXIS P1364-E: This digital equipment fulfills the requirements for RF emission according to the Class A limit of AS/NZS CISPR 22. The product shall be connected using a shielded network cable (STP) that is properly grounded. Notice! This is a Class A product. In a domestic environment this product may cause RF interference, in which case the user may be required to take adequate measures.

AXIS P1365-E: This digital equipment fulfills the requirements for RF emission according to the Class B limit of AS/NZS CISPR 22. The product shall be connected using a shielded network cable (STP) that is properly grounded.

Japan

AXIS P1364-E: この装置は、クラスA 情報技術装置です。この装置を家庭環境で使用すると電波妨害

を引き起こすことがあります。この場合には使用者が適切な対策を講ずるよう要求されることがあります。本製品は、シールドネットワークケーブル(STP)を使用して接続してください。また適切に接地してください。

AXIS P1365-E: この装置は、クラスB 情報技術装置です。この装置は、家庭環境で使用することを目的としていますが、この装置がラジオやテレビジョン受信機に近接して使用されると、受信障害を引き起こすことがあります。取扱説明書に従って正しい取り扱いをして下さい。本製品は、シールドネットワークケーブル(STP)を使用して接続してください。また適切に接地してください。

Korea

AXIS P1364-E: 이 기기는 업무용(A급) 전자파적합 기기로서 판매자 또는 사용자는 이 점을 주의하시기 바라며, 가정외의 지역에서 사용하는 것을 목적으로 합니다. 적절히 접지된 STP (shielded twisted pair) 케이블을 사용하여 제품을 연결하십시오.

AXIS P1365-E: 이 기기는 가정용(B급) 전자파적합 기기로서 주로 가정에서 사용하는 것을 목적으로 하며, 모든 지역에서 사용할 수 있습니다. 적절히 접지된 STP (shielded twisted pair) 케이블을 사용하여 제품을 연결하십시오.

Safety

This product complies with IEC/EN/UL 60950-1 and IEC/EN/UL 60950-22, Safety of Information Technology Equipment. The product shall be grounded either through a shielded network cable (STP) or other appropriate method.

Disposal and Recycling

When this product has reached the end of its useful life, dispose of it according to local laws and regulations. For information about your nearest designated collection point, contact your local authority responsible for waste disposal. In accordance with local legislation, penalties may be applicable for incorrect disposal of this waste.

Europe



■ This symbol means that the product shall not be disposed of together with household or commercial waste. Directive 2012/19/EU on waste electrical and electronic equipment (WEEE) is applicable in the European Union member states. To prevent potential harm to human health and the environment, the product must be disposed of in an approved and environmentally safe recycling process. For information about your nearest designated collection point, contact your local authority responsible for waste disposal. Businesses should contact the product supplier for information about how to dispose of this product correctly.

This product complies with the requirements of Directive 2011/65/EU on the restriction of the use of certain hazardous substances in electrical and electronic equipment (RoHS).

China



This product complies with the requirements of the legislative act Administration on the Control of Pollution Caused by Electronic Information Products (ACPEIP).

Contact Information

Axis Communications AB
Emdalavägen 14
223 69 Lund
Sweden

Tel: +46 46 272 18 00

Fax: +46 46 13 61 30

www.axis.com

Support

Should you require any technical assistance, please contact your Axis reseller. If your questions cannot be answered immediately, your reseller will forward your queries through the appropriate channels to ensure a rapid response. If you are connected to the Internet, you can:

- download user documentation and software updates
- find answers to resolved problems in the FAQ database. Search by product, category, or phrase
- report problems to Axis support staff by logging in to your private support area
- chat with Axis support staff
- visit Axis Support at www.axis.com/techsup/

Learn More!

Visit Axis learning center www.axis.com/academy/ for useful trainings, webinars, tutorials and guides.

Safety Information

Read through this Installation Guide carefully before installing the product. Keep the Installation Guide for future reference.

Hazard Levels

▲DANGER

Indicates a hazardous situation which, if not avoided, will result in death or serious injury.

▲WARNING

Indicates a hazardous situation which, if not avoided, could result in death or serious injury.

▲CAUTION

Indicates a hazardous situation which, if not avoided, could result in minor or moderate injury.

NOTICE

Indicates a situation which, if not avoided, could result in damage to property.

Other Message Levels

Important

Indicates significant information which is essential for the product to function correctly.

Note

Indicates useful information which helps in getting the most out of the product.

AXIS P13-E Series

Safety Instructions

NOTICE

- The Axis product shall be used in compliance with local laws and regulations.
- Store the Axis product in a dry and ventilated environment.
- Avoid exposing the Axis product to shocks or heavy pressure.
- Do not install the product on unstable brackets, surfaces or walls.
- Use only applicable tools when installing the Axis product. Using excessive force with power tools could cause damage to the product.
- Do not use chemicals, caustic agents, or aerosol cleaners.
- Use a clean cloth dampened with pure water for cleaning.
- Use only accessories that comply with the technical specification of the product. These can be provided by Axis or a third party.
- Use only spare parts provided by or recommended by Axis.
- Do not attempt to repair the product yourself. Contact Axis support or your Axis reseller for service matters.

Transportation

NOTICE

- When transporting the Axis product, use the original packaging or equivalent to prevent damage to the product.

Battery

The Axis product uses a 3.0 V CR2032 lithium battery as the power supply for its internal real-time clock (RTC). Under normal conditions this battery will last for a minimum of five years.

Low battery power affects the operation of the RTC, causing it to reset at every power-up. When the battery needs replacing, a log message will appear in the product's server report. For more information about the server report, see the product's setup pages or contact Axis support.

The battery should not be replaced unless required, but if the battery does need replacing, contact Axis support at www.axis.com/techsup for assistance.

Lithium coin cell 3.0 V batteries contain 1,2-dimethoxyethane; ethylene glycol dimethyl ether (EGDME), CAS no. 110-71-4.

⚠WARNING

- Risk of explosion if the battery is incorrectly replaced.
- Replace only with an identical battery or a battery which is recommended by Axis.
- Dispose of used batteries according to local regulations or the battery manufacturer's instructions.

Installation Guide

This Installation Guide provides instructions for installing AXIS P1364-E/P1365-E Network Camera on your network. For other aspects of using the product, see the User Manual available at www.axis.com

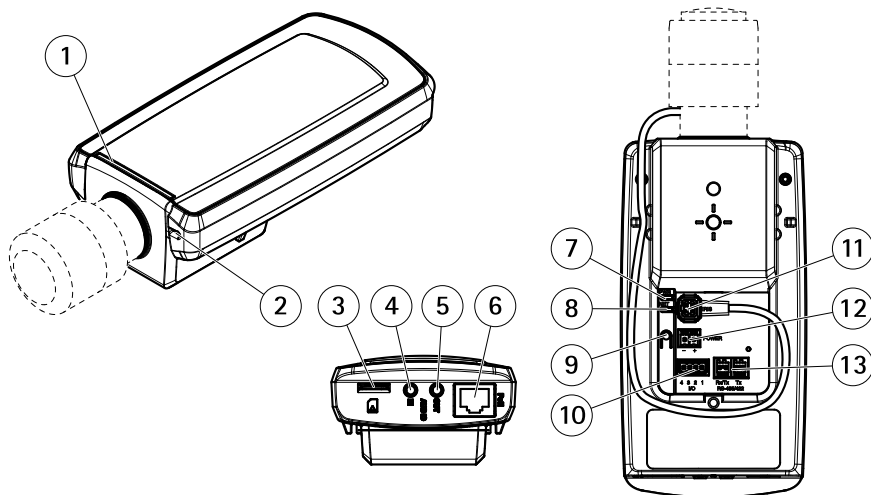
Installation Steps

1. Make sure the package contents, tools and other materials necessary for the installation are in order. See *page 9*.
2. Study the hardware overview. See *page 10*.
3. Study the specifications. See *page 15*.
4. Install the hardware. See *page 19*.
5. Access the product. See *page 24*.
6. Set the focus. See *page 24*.

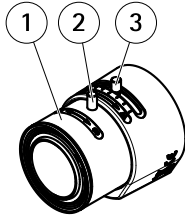
Package Contents

- Network Camera
 - AXIS P1364-E
 - AXIS P1365-E
- Connector kit
- AXIS T94Q01A Wall Mount with internal cable channel
- Screw bit T30
- AXIS Connector Guard A
- Network cable – for connecting the camera to the housing
- AXIS Cable Gaskets M20
- Desiccant bag
- Printed materials
 - Installation Guide (this document)
 - Extra serial number label (2x)
 - AVHS Authentication key

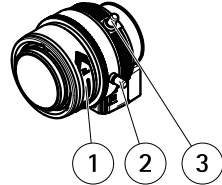
Hardware Overview



- 1 *Status LED*
- 2 *Built-in microphone*
- 3 *microSD card slot*
- 4 *Audio in*
- 5 *Audio out*
- 6 *Network connector (PoE)*
- 7 *Power LED*
- 8 *Network LED*
- 9 *Control button*
- 10 *I/O connector*
- 11 *Iris connector*
- 12 *Not used*
- 13 *RS485/422 connector*

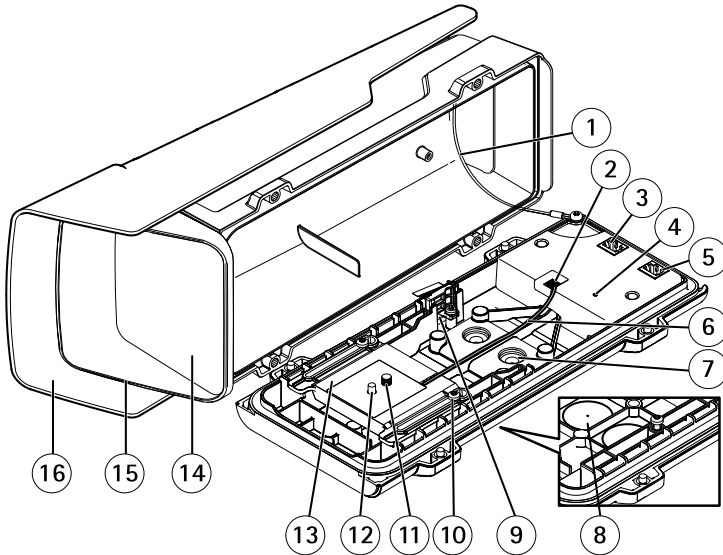


AXIS P1364-E



AXIS P1365-E

- 1 Focus ring
- 2 Lock screw for focus ring
- 3 Zoom puller

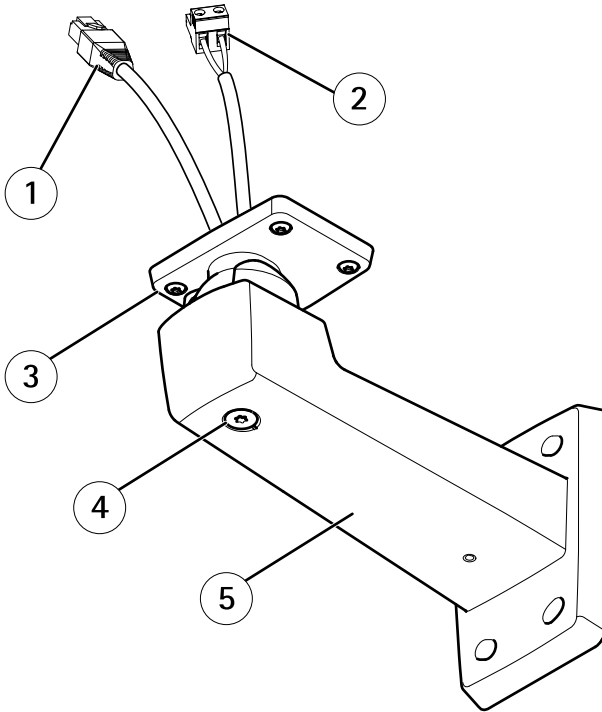


- 1 Safety wire
- 2 Heater connector
- 3 Network connector (PoE OUT)
- 4 Status LED indicator
- 5 Network connector (PoE IN)
- 6 Heater cable
- 7 Cable gasket M20 (2x)
- 8 Cable gasket M20 (2x)
- 9 Cable gasket M20 (2x)
- 10 Cable gasket M20 (2x)
- 11 Cable gasket M20 (2x)
- 12 Cable gasket M20 (2x)
- 13 Cable gasket M20 (2x)

AXIS P13-E Series

- 8 Drill-out (2x)
- 9 Intrusion alarm switch
- 10 Holder screw T20 (2x)
- 11 Camera screw T20
- 12 Pin
- 13 Holder
- 14 Window
- 15 Top cover
- 16 Weather shield

Wall Mount



- 1 Network cable (route through wall bracket)
- 2 Power cable (route through wall bracket) (for products equipped with power connector)
- 3 Screw T20 (4x)
- 4 Bracket adjustment screw T30
- 5 Wall mount

LED Indicators

Note

- The Status LED can be configured to be unlit during normal operation. To configure, go to **Setup > System Options > Ports & Devices > LED**. See the online help for more information.
- The Status LED can be configured to flash while an event is active.
- The Status LED can be configured to flash for identifying the unit. Go to **Setup > System Options > Maintenance** .

Status LED	Indication
Green	Steady green for normal operation.
Amber	Steady during startup. Flashes when restoring settings.

Network LED	Indication
Green	Steady for connection to a 100 Mbit/s network. Flashes for network activity.
Amber	Steady for connection to a 10 Mbit/s network. Flashes for network activity.
Unlit	No network connection.

Power LED	Indication
Green	Normal operation.
Amber	Flashes green/amber during firmware upgrade.

Housing LED indicators

LED	Color	Indication
Status	Green	Normal operation
	Green, single flash	Heater error
	Green, double flash	Self test
	Green, triple flash	General error

Status LED Behavior for Focus Assistant

The status LED flashes when the Focus Assistant is active.

AXIS P13-E Series

Color	Indication
Red	The image is out of focus. Adjust the lens.
Amber	The image is close to focus. The lens needs fine tuning.
Green	The image is in focus.

Connectors and Buttons

For specifications and operating conditions, see *page 15*.

Network Connector

RJ45 Ethernet connector with Power over Ethernet (PoE).

NOTICE

Due to local regulations or the environmental and electrical conditions in which the product is to be used, a shielded network cable (STP) may be appropriate or required. All cables connecting the product to the network and that are routed outdoors or in demanding electrical environments shall be intended for their specific use. Make sure that the network devices are installed in accordance with the manufacturer's instructions. For information about regulatory requirements, see *Electromagnetic Compatibility (EMC) 2*.

I/O Connector

Use with external devices in combination with, for example, tampering alarms, motion detection, event triggering, time lapse recording and alarm notifications. In addition to the 0 V DC reference point and power (DC output), the I/O connector provides the interface to:

- **Digital output** – For connecting external devices such as relays and LEDs. Connected devices can be activated by the VAPIX® Application Programming Interface, output buttons on the Live View page or by an Action Rule. The output will show as active (shown under **System Options > Ports & Devices**) if the alarm device is activated.
- **Digital input** – An alarm input for connecting devices that can toggle between an open and closed circuit, for example: PIRs, door/window contacts, glass break detectors, etc. When a signal is received the state changes and the input becomes active (shown under **System Options > Ports & Devices**).

Audio Connector

The Axis product has the following audio connectors:

- **Audio in (pink)** – 3.5 mm input for a mono microphone, or a line-in mono signal.

- **Audio out (green)** – 3.5 mm output for audio (line level) that can be connected to a public address (PA) system or an active speaker with a built-in amplifier. A stereo connector must be used for audio out.

For audio in, the left channel is used from a stereo signal.

RS485/RS422 Connector

Two terminal blocks for RS485/RS422 serial interface used to control auxiliary equipment such as pan-tilt devices.

SD Card Slot

NOTICE

- Risk of damage to SD card. Do not use sharp tools or excessive force when inserting or removing the SD card.
- Risk of data loss. To prevent data corruption, the SD card should be unmounted before removal. To unmount, go to **Setup > System Options > Storage > SD Card** and click **Unmount**.

This product supports microSD/microSDHC/microSDXC cards (not included).

For SD card recommendations, see www.axis.com

Control Button

For location of the control button, see *Hardware Overview on page 10*.

The control button is used for:

- Enabling the Focus Assistant. Press and very quickly release the Control button.
- Resetting the product to factory default settings. See *page 26*.
- Connecting to an AXIS Video Hosting System service or AXIS Internet Dynamic DNS Service. For more information about these services, see the User Manual.

Specifications

Operating Conditions

The Axis product is intended for outdoor use.

AXIS P13-E Series

Product	Temperature	Humidity
AXIS P1364-E	-40 °C to 50 °C (-40 °F to 122 °F)	10–100% RH (condensing)
AXIS P1365-E	-40 °C to 50 °C (-40 °F to 122 °F)	10–100% RH (condensing)

Important

When the ambient temperature is below 0 °C (32 °F), start-up could take up to 60 minutes. The colder it is, the longer the start-up.

Power Consumption

NOTICE

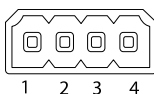
Use a limited power source (LPS) with either a rated output power limited to $\leq 100\text{W}$ or a rated output current limited to $\leq 5\text{A}$.

Product	PoE
AXIS P1364-E	Power over Ethernet (PoE) IEEE 802.3af/802.3at Type 1 Class 3, max. 12.95 W, typical 5.0 W
AXIS P1365-E	Power over Ethernet (PoE) IEEE 802.3af/802.3at Type 1 Class 3, max. 12.95 W, typical 5.3 W

Connectors

I/O Connector

4-pin terminal block



For an example diagram, see *Connection Diagrams* on page 19.

Function	Pin	Notes	Specifications
0 V DC (-)	1		0 V DC
DC output	2	Can be used to power auxiliary equipment. Note: This pin can only be used as power out.	12 V DC Max load = 50 mA

Configurable (Input or Output)	3-4	Digital input – Connect to pin 1 to activate, or leave floating (unconnected) to deactivate.	0 to max 30 V DC
		Digital output – Connected to pin 1 when activated, floating (unconnected) when deactivated. If used with an inductive load, e.g. a relay, a diode must be connected in parallel with the load, for protection against voltage transients.	0 to max 30 V DC, open drain, 100 mA

Audio Connector

3.5 mm audio connectors (stereo)

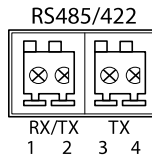


	1 Tip	2 Ring	3 Sleeve
Audio Input	Microphone/Line in		Ground
Audio Output	Line out (mono)		Ground

RS485/422 Connector

Two 2-pin terminal blocks for RS485/RS422 serial interface. The serial port can be configured to support:

- Two-wire RS485 half duplex
- Four-wire RS485 full duplex
- Two-wire RS422 simplex
- Four-wire RS422 full duplex point to point communication



Function	Pin	Notes
RS485B alt RS485/422 RX(B)	1	RX pair for all modes (combined RX/TX for 2-wire RS485)
RS485A alt RS485/422 RX(A)	2	

AXIS P13-E Series

RS485/RS422 TX(B)	3	TX pair for RS422 and 4-wire RS485
RS485/RS422 TX(A)	4	

Important

The recommended maximum cable length is 30 m (98.4 ft).

Cable Area

NOTICE

- Use cables that keep within the specified cable area.
- Select cables in compliance with your local regulations.
- Make sure all cable holes are properly sealed.
- Use cable gaskets or cable glands that match both the cable hole and the cable area.

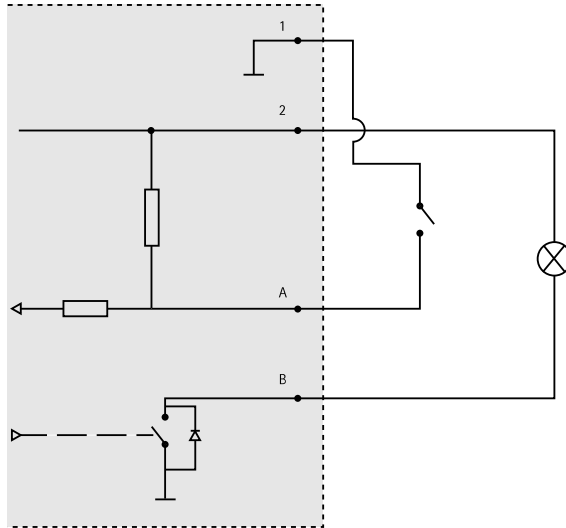
Diameter	AWG
From 5 to 15 mm (0.197 to 0.591 in)	Approximately from 4 to 6/0

To create extra cable holes, open the drill-outs located in the bottom of the housing. See *Hardware Overview on page 10*.

For information about accessories, such as cable gaskets and cable glands that allow for other cable areas, see www.axis.com

Connection Diagrams

I/O Connector



- 1 0 V DC (-)
- 2 DC output 12 V, max 50 mA
- A I/O configured as input
- B I/O configured as output

Install the Hardware

NOTICE

- Due to local regulations or the environmental and electrical conditions in which the product is to be used, a shielded network cable (STP) may be appropriate or required. All cables connecting the product to the network and that are routed outdoors or in demanding electrical environments shall be intended for their specific use. Make sure that the network devices are installed in accordance with the manufacturer's instructions.

For information about regulatory requirements, see *Regulatory Information 2*

- Be careful not to scratch, damage or leave fingerprints on the window because this could decrease image quality.

The Axis product can be installed with the cables routed through or along the wall.

AXIS P13-E Series

Read all the instructions before installing the product:

1. Install the wall mount. See *Install the Wall Mount on page 20*. For detailed instructions, see the wall mount's Installation Guide, supplied in the package or available on www.axis.com
2. Attach the housing to the wall mount. See *Attach the Housing to the Wall Mount on page 20*.
3. Connect the camera. See *Connect the Camera on page 23*.

Install the Wall Mount

⚠CAUTION

Make sure that the screws and plugs are appropriate for the material (e.g. wood, metal, drywall, stone) and that the material is strong enough to support the combined weight of the camera, housing, and wall mount.

1. Prepare the wall for installation of the wall mount. Use the wall bracket as a template and mark the holes before drilling the holes.
2. Route the network cable through the wall bracket. Leave approximately 30 cm (11.8 in) of cable for connecting the camera.
3. If connecting an auxiliary device, for example an I/O, audio, or external power device, to the camera, repeat the step above as applicable to the specific device.
4. Fasten the wall bracket to the wall by tightening the screws.

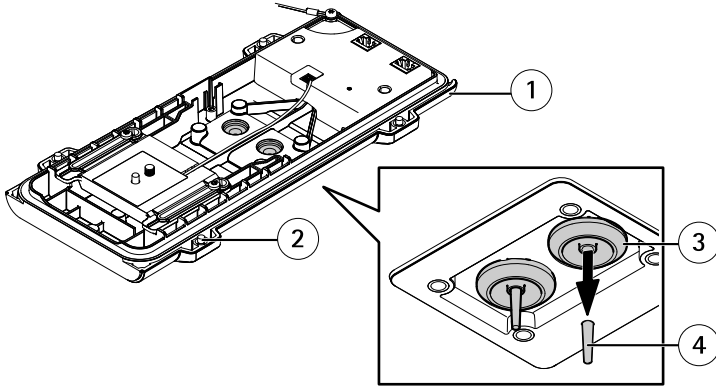
Note

- For detailed instructions, see the wall mount's Installation Guide supplied in the package and available on www.axis.com

Attach the Housing to the Wall Mount

NOTICE

- Use cables that keep within the specified cable area, see *page 18*. Using any other than the provided cable gasket could cause water to seep in and damage the product. For information about cable gaskets and cable glands that allow for other cable areas, see www.axis.com
 - If more than one cable is used, each cable must be routed through a separate cable gasket.
 - Only open a hole in cable gaskets that will be used and if a cable gasket is torn, replace it with a new cable gasket. Leaving a cable gasket open or using a torn cable gasket could cause water to seep in and damage the product.
1. Loosen the bottom cover screws and lift the top cover.
 2. Select which cable gasket to use and pull the tab to open a hole for the network cable.

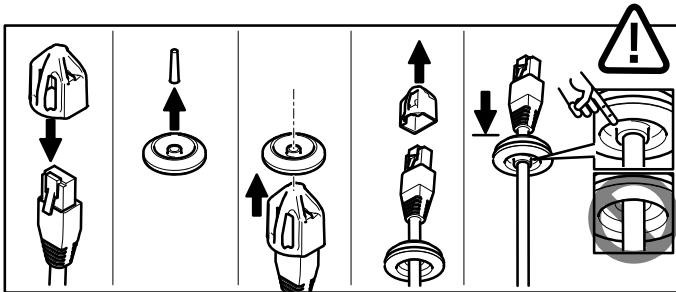


- 1 Bottom cover
- 2 Bottom cover screw T20 (4x)
- 3 Cable gasket M20 (2x)
- 4 Tab

3. Push the network cable through the cable gasket.

NOTICE

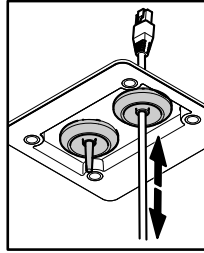
If the network cable has a premounted network connector, remove the cable gasket and use the connector guard to prevent tearing of the cable gasket. Avoid using network cables with capped network connectors because they could cause tearing of the cable gasket despite using the connector guard.



4. Pull the network cable back slightly so that the cable gasket adjusts itself on the cable.

NOTICE

Not pulling the cable back could cause water to seep in and damage the product.

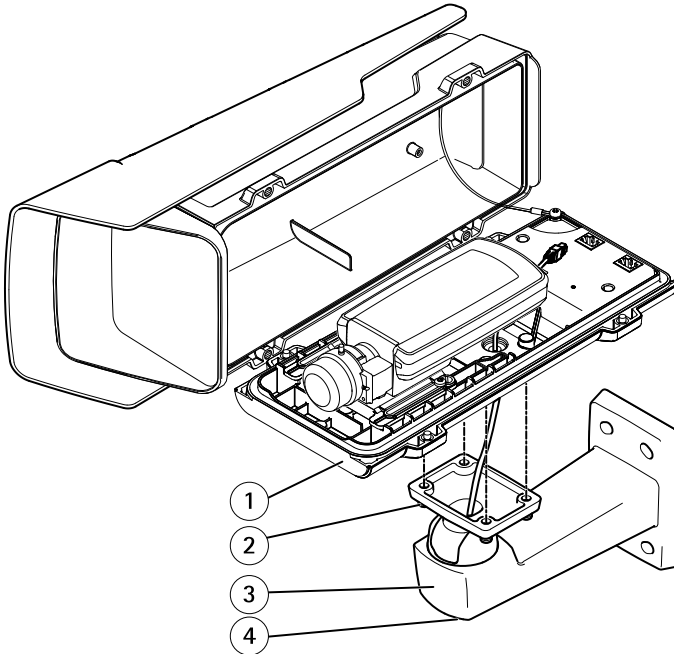


5. Make sure that the cable gasket is fitted properly.
6. If connecting an auxiliary device, for example an I/O, audio, or external power device, to the camera, repeat the steps above as applicable to the specific device.

NOTICE

Mount the connectors after the cables are pushed through the cable gasket.

7. Put the bottom cover on the wall mount and tighten the screws (torque 2 Nm).

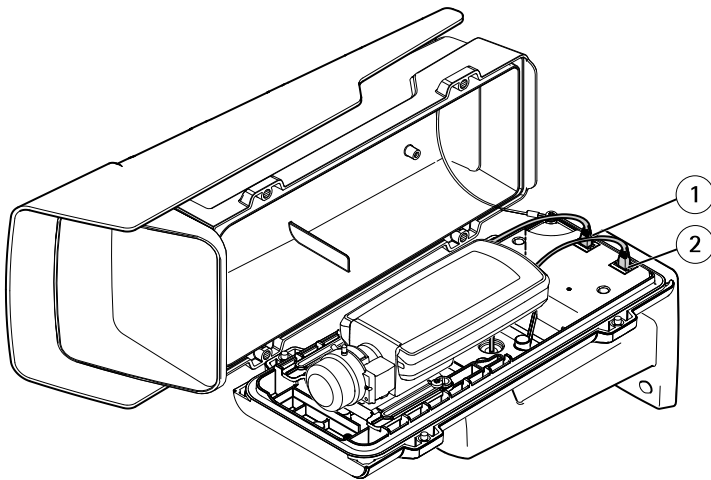


1 Bottom cover

- 2 Screw T20 (4x)
- 3 Wall bracket
- 4 Bracket adjustment screw T30

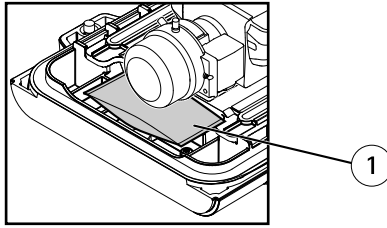
Connect the Camera

1. If applicable, connect external/input devices or audio devices to the camera.
2. Connect the heater cable to the heater connector in the bottom cover.
3. If using an SD card for local storage, insert the card into the camera's SD card slot.
4. Connect the housing to the network (PoE IN) and the camera to the housing (PoE OUT).



- 1 Network connector (PoE OUT)
- 2 Network connector (PoE IN)

5. Make sure that the camera and housing LEDs indicate the correct condition. See *LED Indicators* on page 13.
6. Loosen the bracket adjustment screw to aim the camera to the point of interest. For information about how to view the video stream, see *Access the Product* on page 24
7. Remove the plastic wrapper from the desiccant bag and put the desiccant bag below the lens.



1 Desiccant bag

8. Close the housing. Make sure to alternately tighten the bottom cover screws a few turns at a time until they are tight (torque 1.5 Nm). This will help ensure that the bottom cover gasket is compressed evenly.

NOTICE

Make sure not to pinch any cables when closing the housing.

9. If required, loosen the screws on the weather shield, adjust its position and tighten the screws.

Access the Product

AXIS IP Utility and AXIS Camera Management are recommended methods for finding Axis products on the network and assigning them IP addresses in Windows®. Both applications are free and can be downloaded from www.axis.com/techsup

The product can be used with most operating systems and browsers. The recommended browsers are

- Internet Explorer® with Windows®
- Safari® with OS X®
- Chrome™ or Firefox® with other operating systems.

For more information about using the product, see the User Manual available at www.axis.com

Adjust focus

Follow these instructions to set the focus and zoom.

If the camera is mounted so that you cannot look at the image and access the lens at the same time, use the Focus Assistant, see *Adjust focus with the Focus Assistant on page 25*.

1. Open the product's home page and go to **Setup > Basic Setup > Focus**.
2. Under the **Basic** tab, click **Open iris**. If the button is inactive the iris is already open.
3. If focus has been set before, click **Reset** to reset the back focus.

4. Loosen the zoom puller and the lock screw for the focus ring on the lens by turning them counter-clockwise. See *Hardware Overview on page 10*.
5. Move the zoom puller and the focus ring to set zoom and focus and check the quality of the image in the image window.
6. Re-tighten the zoom puller and the lock screw for the focus ring.
7. On the Focus page, click **Fine-tune focus automatically** and wait until automatic fine tuning is completed.
8. Click **Enable iris**. If the button is inactive the iris is already enabled.
9. If needed, make further adjustments under the **Advanced** tab. See the online help for more information.

Adjust focus with the Focus Assistant

Note

- The view in front of the camera should not be changed during focus adjustment. If the camera is moved, or if a finger or other object is placed in front of the lens, restart the procedure.
 - If movements in front of the camera cannot be avoided, the Focus Assistant should not be used.
 - If the control button is not released within two seconds, AXIS Dynamic DNS Service is enabled instead of the Focus Assistant.
 - If the camera is mounted so that the control button cannot be accessed, you can still use the Focus Assistant. Follow the instructions but enable the Focus Assistant before mounting the camera.
1. Open the product's home page and go to **Setup > Basic Setup > Focus**.
 2. Under the **Basic** tab, click **Open iris**. If the button is inactive the iris is already open.
 3. If focus has been set before, click **Reset** to reset the back focus.
 4. Mount or place the camera so that it cannot be moved.
 5. Loosen the zoom puller by turning it anti-clockwise. Move the puller to set the zoom level. Retighten the zoom puller.
 6. Set the camera to its extreme distant-focus position by loosening the lock screw for the focus ring and turning the focus ring fully clockwise.
 7. Press and quickly release the control button. When the status indicator flashes, the Focus Assistant is enabled.
 8. Gently turn the focus ring anti-clockwise until it stops.
 9. Turn the focus ring slowly clockwise until the status indicator flashes green.
 10. To exit the Focus Assistant, press the control button. If you cannot access the control button, the Focus Assistant is switched off automatically after 15 minutes.
 11. Re-tighten the lock screw for the focus ring.

12. Open the Live View page in the web browser and check the quality of the image.
13. On the Focus page, click **Fine-tune focus automatically** and wait until automatic fine tuning is completed.
14. Click **Enable iris**. If the button is inactive the iris is already enabled.
15. If needed, make further adjustments under the **Advanced** tab. See the online help for more information.

Reset to Factory Default Settings

Important

Reset to factory default should be used with caution. A reset to factory default will reset all settings, including the IP address, to the factory default values.

Note

The installation and management software tools are available from the support pages on www.axis.com/techsup

To reset the product to the factory default settings:

1. Disconnect power from the product.
2. Press and hold the control button and reconnect power. See *Hardware Overview on page 10*.
3. Keep the control button pressed for 15–30 seconds until the status LED indicator flashes amber.
4. Release the control button. The process is complete when the status LED indicator turns green. The product has been reset to the factory default settings. If no DHCP server is available on the network, the default IP address is 192.168.0.90
5. Using the installation and management software tools, assign an IP address, set the password, and access the video stream.
6. Refocus the product.

It is also possible to reset parameters to factory default via the web interface. Go to **Setup > System Options > Maintenance** and click **Default**.

Further Information

For the latest version of this document, see www.axis.com

The User Manual is available at www.axis.com

Visit www.axis.com/techsup to check if there is updated firmware available for your network product. To see the currently installed firmware version, go to **Setup > About**.

Visit Axis learning center www.axis.com/academy for useful trainings, webinars, tutorials and guides.

Warranty Information

For information about Axis' product warranty and thereto related information, see www.axis.com/warranty/

Informations sur la sécurité

Lisez attentivement ce guide d'installation avant d'installer l'appareil. Conservez le guide d'installation pour toute référence ultérieure.

Niveaux de risques

▲DANGER

Indique une situation dangereuse qui, si elle n'est pas évitée, entraînera le décès ou des blessures graves.

▲AVERTISSEMENT

Indique une situation dangereuse qui, si elle n'est pas évitée, pourrait entraîner le décès ou des blessures graves.

▲ATTENTION

Indique une situation dangereuse qui, si elle n'est pas évitée, pourrait entraîner des blessures légères ou modérées.

AVIS

Indique une situation qui, si elle n'est pas évitée, pourrait endommager l'appareil.

Autres niveaux de message

Important

Indique les informations importantes, nécessaires pour assurer le bon fonctionnement de l'appareil.

Note

Indique les informations utiles qui permettront d'obtenir le fonctionnement optimal de l'appareil.

Consignes de sécurité

AVIS

- Le produit Axis doit être utilisé conformément aux lois et réglementations locales en vigueur.
- Conserver ce produit Axis dans un environnement sec et ventilé.
- Ne pas exposer ce produit Axis aux chocs ou aux fortes pressions.
- Ne pas installer ce produit sur des supports, surfaces ou murs instables.
- Utiliser uniquement des outils recommandés pour l'installation de l'appareil Axis. L'application d'une force excessive sur l'appareil avec des outils puissants pourrait l'endommager.
- Ne pas utiliser de produits chimiques, de substances caustiques ou de nettoyeurs pressurisés.
- Utiliser un chiffon propre imbibé d'eau pure pour le nettoyage.
- Utiliser uniquement des accessoires conformes aux caractéristiques techniques du produit. Ils peuvent être fournis par Axis ou un tiers.
- Utiliser uniquement les pièces de rechange fournies ou recommandées par Axis.
- Ne pas essayer de réparer vous-même ce produit. Contacter l'assistance technique d'Axis ou votre revendeur Axis pour des problèmes liés à l'entretien.

Transport

AVIS

- Lors du transport du produit Axis, utilisez l'emballage d'origine ou un équivalent pour éviter d'endommager le produit.

Batterie

Le produit Axis utilise une batterie au lithium CR2032 3,0 V comme alimentation de son horloge en temps réel interne (RTC). Dans des conditions normales, cette batterie a une durée de vie minimale de cinq ans.

Si la batterie est faible, le fonctionnement de l'horloge en temps réel peut être affecté et entraîner sa réinitialisation à chaque mise sous tension. Un message enregistré apparaît dans le rapport de serveur du produit lorsque la batterie doit être remplacée. Pour tout complément d'information concernant le rapport de serveur, reportez-vous aux pages de Configuration du produit ou contactez l'assistance technique d'Axis.

La batterie doit être remplacée uniquement en cas de besoin, et pour ce faire, contactez l'assistance technique d'Axis à l'adresse www.axis.com/techsup et obtenir de l'aide.

Les piles boutons 3,0 V au lithium contiennent du 1,2-diméthoxyéthane, éthylène glycol diméthyl éther (EGDME), CAS N° 110-71-4.

⚠ AVERTISSEMENT

- Risque d'explosion si la batterie est remplacée de façon incorrecte.
- Remplacez-la uniquement par une batterie identique ou une batterie recommandée par Axis.
- Mettez au rebut les batteries usagées conformément aux réglementations locales ou aux instructions du fabricant de la batterie.

Guide d'installation

Ce guide d'installation explique comment installer la caméra réseau AXIS P1364-E/P1365-E sur votre réseau. Pour toute autre information relative à l'utilisation du produit, consultez le manuel de l'utilisateur disponible sur le site www.axis.com

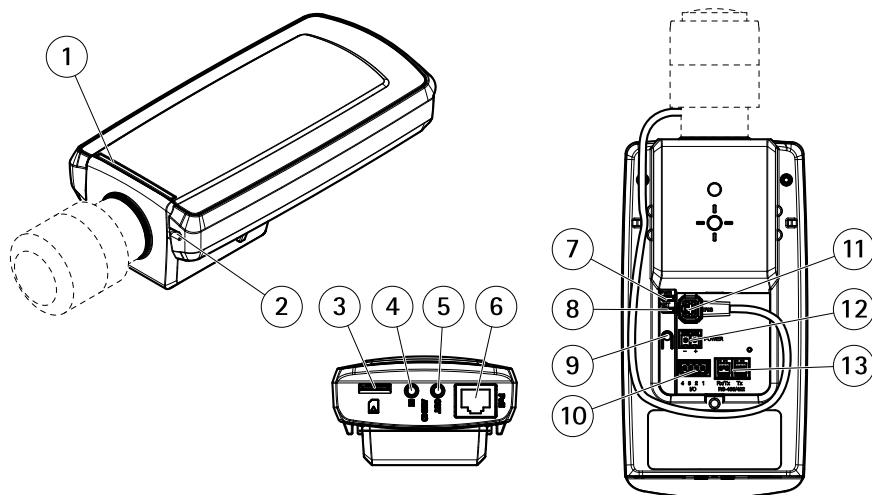
Procédures d'installation

1. Assurez-vous que les outils et autres matériels nécessaires à l'installation sont inclus dans l'emballage. Cf. *page 33*.
2. Consultez la description du matériel. Cf. *page 34*.
3. Étudiez les caractéristiques. Cf. *page 40*.
4. Installez le matériel. Cf. *page 44*.
5. Utilisez le produit. Cf. *page 50*.
6. Réglez la mise au point. Cf. *page 50*.

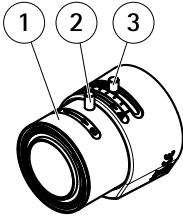
Contenu de l'emballage

- Caméra réseau
 - AXIS P1364-E
 - AXIS P1365-E
- Kit de connexion
- Fixation murale AXIS T94Q01A avec chemin de câble interne
- Embout pour vis T30
- Protection du connecteur AXIS A
- Câble réseau – pour connecter la caméra au boîtier
- Joints de câble AXIS M20
- Sachet dessiccatif
- Documents imprimés
 - Guide d'installation (ce document)
 - Étiquette supplémentaire de numéro de série (x2)
 - Clé d'authentification AVHS

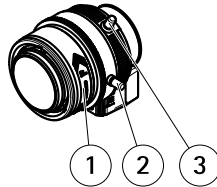
Aperçu du matériel



- 1 Voyant d'état
- 2 Microphone intégré
- 3 Logement de carte microSD
- 4 Entrée audio
- 5 Sortie audio
- 6 Connecteur réseau (PoE)
- 7 Voyant d'alimentation
- 8 Voyant DEL réseau
- 9 Bouton de commande
- 10 Connecteur E/S
- 11 Connecteur de l'iris
- 12 Non utilisé
- 13 Connecteur RS485/422

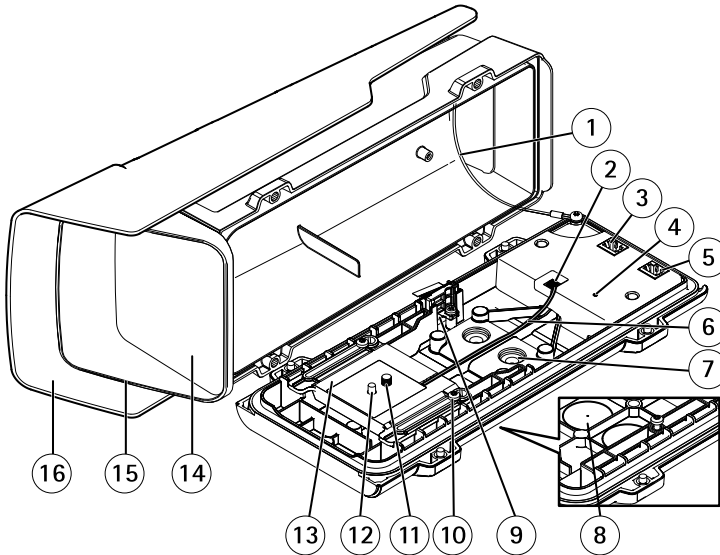


AXIS P1364-E



AXIS P1365-E

- 1 Bague de mise au point
- 2 Vis de verrouillage de la bague de mise au point
- 3 Commande de zoom

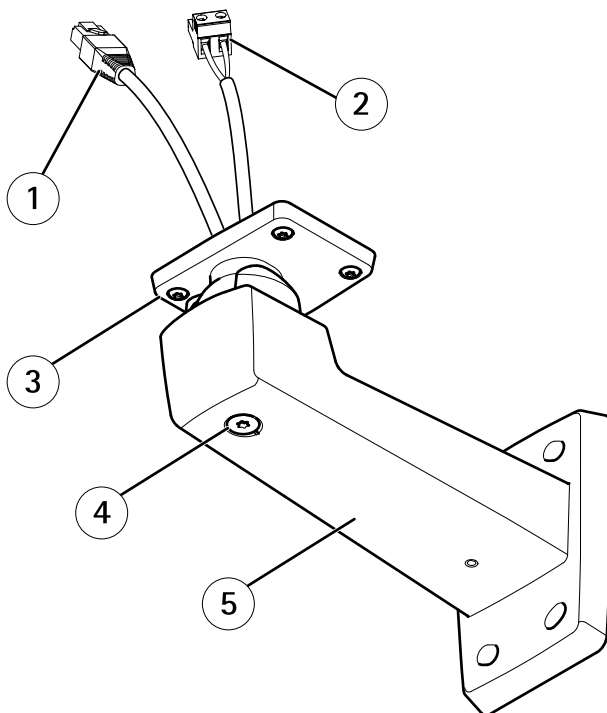


- 1 Câble de sécurité
- 2 Connecteur de régulateur de chauffage
- 3 Connecteur réseau (PoE OUT)
- 4 Voyant d'état
- 5 Connecteur réseau (PoE IN)
- 6 Câble de régulateur de chauffage
- 7 Joint de câble M20 (x2)

AXIS P13-E Series

- 8 Perforation (x2)
- 9 Interrupteur d'alarme d'intrusion
- 10 Vis du support T20 (x2)
- 11 Vis de la caméra T20
- 12 Broche
- 13 Support
- 14 Fenêtre
- 15 Couverture supérieure
- 16 Protection étanche

Fixation murale



- 1 Câble réseau (acheminé à travers le support mural)
- 2 Câble d'alimentation (acheminé à travers le support mural) (pour les produits équipés d'un connecteur d'alimentation)
- 3 Vis T20 (x4)
- 4 Vis de réglage du support T30
- 5 Fixation murale

Voyants

Note

- Le voyant d'état peut être éteint pendant le fonctionnement normal. Pour ce faire, rendez-vous dans **Setup > System Options > Ports & Devices > LED (Configuration > Options système > Ports et dispositifs > DEL)**. Consultez l'aide en ligne pour plus d'informations.
- Le voyant d'état peut clignoter lorsqu'un événement est actif.
- Le voyant d'état peut clignoter pendant l'identification de l'appareil. Rendez-vous dans **Setup > System Options > Maintenance (Configuration > Options du système > Maintenance)**.

Voyant d'état	Indication
Vert	Vert fixe en cas de fonctionnement normal.
Orange	Fixe pendant le démarrage. Clignote lors de la restauration des paramètres.

Voyant DEL réseau	Indication
Vert	Fixe en cas de connexion à un réseau de 100 Mbits/s. Clignote en cas d'activité réseau.
Orange	Fixe en cas de connexion à un réseau de 10 Mbits/s. Clignote en cas d'activité réseau.
Éteint	Pas de connexion réseau.

Voyant d'alimentation	Indication
Vert	Fonctionnement normal.
Orange	Le voyant vert/orange clignote pendant la mise à niveau du microprogramme.

Voyants DEL du boîtier

Voyant DEL	Couleur	Indication
État	Vert	Fonctionnement normal
	Clignote une seule fois en vert	Erreur au niveau du régulateur de chauffage
	Clignote deux fois en vert	Auto-test
	Clignote trois fois en vert	Erreur générale

Comportement du voyant d'état pour l'assistant de mise au point

Le voyant d'état clignote lorsque l'assistant de mise au point est activé.

Couleur	Indication
Rouge	L'image n'est pas au point. Réglage de l'objectif.
Orange	L'image est presque au point. L'objectif doit être ajusté.
Vert	L'image est au point.

Connecteurs et boutons

Pour les caractéristiques et les conditions d'utilisation, consultez *page 40*.

Connecteur réseau

Connecteur Ethernet RJ45 avec l'alimentation par Ethernet (PoE).

AVIS

Les réglementations locales ou les conditions environnementales et électriques dans lesquelles le produit est utilisé peuvent nécessiter l'utilisation d'un câble réseau blindé (STP). Tous les câbles réseau qui sont acheminés à l'extérieur ou dans des environnements électriques exigeants doivent être destinés à leur usage spécifique. Assurez-vous que les périphériques réseau sont installés conformément aux instructions du fabricant. Pour plus d'informations sur les exigences réglementaires, consultez *Electromagnetic Compatibility (EMC) 2*.

Connecteur d'E/S

Utilisez-le avec des périphériques externes associés aux applications telles que les alarmes de détérioration, la détection de mouvement, le déclenchement d'événements, l'enregistrement à intervalles et les notifications d'alarme. En plus du point de référence 0 V CC et de l'alimentation (sortie CC), le connecteur d'E/S fournit une interface aux éléments suivants :

- **Sortie numérique** – Permet de connecter des dispositifs externes, comme des relais ou des voyants. Les appareils connectés peuvent être activés par l'interface de programmation VAPIX®, des boutons de sortie sur la page Live View (Vidéo en direct) ou par une règle d'action. La sortie est considérée comme étant active (comme indiqué dans **System Options > Ports & Devices (Options du système > Ports et dispositifs)**) si le dispositif d'alarme est activé.
- **Entrée numérique** – Entrée d'alarme utilisée pour connecter des dispositifs pouvant passer d'un circuit ouvert à un circuit fermé, par exemple : détecteurs infrarouge passifs, contacts de porte/fenêtre, détecteurs de bris de verre, etc. À la réception d'un signal, l'état change et l'entrée s'active (sous **System Options > Ports & Devices (Options du système > Ports et dispositifs)**).

Connecteur audio

Le produit Axis dispose des connecteurs audio suivants :

- **Entrée audio (rose)** – entrée de 3,5 mm pour microphone mono ou signal d'entrée mono.
- **Sortie audio (verte)** : sortie de 3,5 mm (sortie de ligne) qui peut être connectée à un système de sonorisation (PA) ou à un haut-parleur actif avec amplificateur intégré. Un connecteur stéréo doit être utilisé pour la sortie audio.

Pour l'entrée audio, le canal gauche d'un signal stéréo est utilisé.

Connecteur RS485/RS422

Deux blocs terminaux à 2 broches pour l'interface série RS485/RS422 utilisée pour commander les équipements auxiliaires, tels que les dispositifs panoramique/inclinaison.

Emplacement pour carte SD

AVIS

- La carte SD risque d'être endommagée. Ne pas utiliser d'outils tranchants et ne pas forcer lors de l'insertion ou du retrait de la carte SD.
- Risque de perte de données. Pour éviter la corruption des données, la carte SD doit être démontée avant son retrait. Pour ce faire, rendez-vous dans **Setup > System Options > Storage > SD Card (Configuration > Options du système > Stockage > Carte SD)** et cliquez sur **Unmount (Démonter)**.

Cet appareil est compatible avec des cartes microSD/microSDHC/microSDXC (cartes non fournies).

AXIS P13-E Series

Pour obtenir des conseils sur la carte SD, rendez-vous sur www.axis.com

Bouton de commande

Pour connaître l'emplacement du bouton de commande, consultez *Aperçu du matériel* page 34.

Le bouton de commande permet de réaliser les opérations suivantes :

- Activation de l'assistant de mise au point. Appuyez et relâchez aussitôt le bouton de commande.
- Réinitialisation du produit aux paramètres d'usine par défaut. Cf. *page 52*.
- Connexion au service du Système d'hébergement vidéo AXIS ou au service AXIS Internet Dynamic DNS. Pour plus d'informations sur ces services, reportez-vous au Manuel de l'utilisateur.

Caractéristiques techniques

Conditions d'utilisation

L'appareil Axis est uniquement destiné à une utilisation en extérieur.

Produit	Température	Humidité
AXIS P1364-E	De -40 °C à 50 °C (-40 °F à 122 °F)	Humidité relative 10 à 100 % (condensation)
AXIS P1365-E	De -40 °C à 50 °C (-40 °F à 122 °F)	Humidité relative 10 à 100 % (condensation)

Important

Lorsque la température ambiante est inférieure à 0 °C (32 °F), le démarrage peut prendre jusqu'à 60 minutes. Plus la température est basse, plus le démarrage est long.

Consommation électrique

AVIS

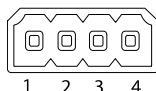
Utilisez une source d'alimentation limitée (LPS) dont la puissance de sortie nominale est limitée à ≤ 100 W ou dont le courant de sortie nominal est limité à ≤ 5 A.

Produit	PoE
AXIS P1364-E	Alimentation par Ethernet (PoE) IEEE 802.3af/802.3at Type 1 Classe, max. 12,95 W, type 5,0 W
AXIS P1365-E	Alimentation par Ethernet (PoE) IEEE 802.3af/802.3at Type 1 Classe, max. 12,95 W, type 5,3 W

Connecteurs

Connecteur d'E/S

Bloc terminal à 4 broches



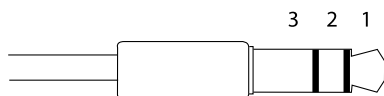
Pour un exemple de schéma, consultez *Schémas de connexion* page 44.

Fonction	Broche	Notes	Caractéristiques
0 V CC (-)	1		0 V CC
Sortie CC	2	Peut servir à alimenter le matériel auxiliaire. Remarque : cette broche ne peut être utilisée que comme sortie d'alimentation.	12 V CC Charge maximale = 50 mA
Configurable (entrée ou sortie)	3-4	Entrée numérique – Connectez-la à la broche 1 pour l'activer ou laissez-la flotter (déconnectée) pour la désactiver.	0 à 30 V CC
		Sortie numérique – Connectée à la broche 1 lorsqu'elle est activée, flotte (déconnectée) lorsqu'elle est désactivée. Si vous l'utilisez avec une charge inductive, par exemple un relais, une diode doit être connectée en parallèle avec la charge, en guise de protection contre les tensions transitoires.	0 à 30 V CC max., drain ouvert, 100 mA

AXIS P13-E Series

Connecteur audio

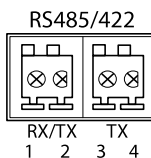
Connecteurs audio 3,5 mm (stéréo)



	1 Pointe	2 Anneau	3 Manchon
Entrée audio	Entrée micro/ligne		Masse
Sortie audio	Sortie ligne (mono)		Masse

Connecteur RS485/422

Blocs terminaux à 2 broches pour interface série RS485/RS422. Le port série peut être configuré pour la prise en charge de :



- RS485 semi-duplex sur deux fils
- RS485 duplex intégral sur quatre fils
- RS422 simplex sur deux fils
- RS422 duplex intégral sur quatre fils pour communication point à point

Fonction	Broche	Notes
RS485B alt RS485/422 RX(B)	1	Paire RX pour tous les modes (RX/TX combiné pour RS485 à 2 fils)
RS485A alt RS485/422 RX(A)	2	
RS485/RS422 TX(B)	3	Paire TX pour RS422 et RS485 à 4 fils
RS485/RS422 TX(A)	4	

Important

La longueur maximale de câble recommandée est de 30 mètres (98,4 pieds).

Zone de câble

AVIS

- Utilisez des câbles adaptés à la zone spécifiée.
- Sélectionnez des câbles conformes à la législation locale.
- Assurez-vous que les trous de câbles sont correctement scellés.
- Utilisez des joints de câble et des presse-étoupes adaptés aux trous de câbles et à la zone de câble.

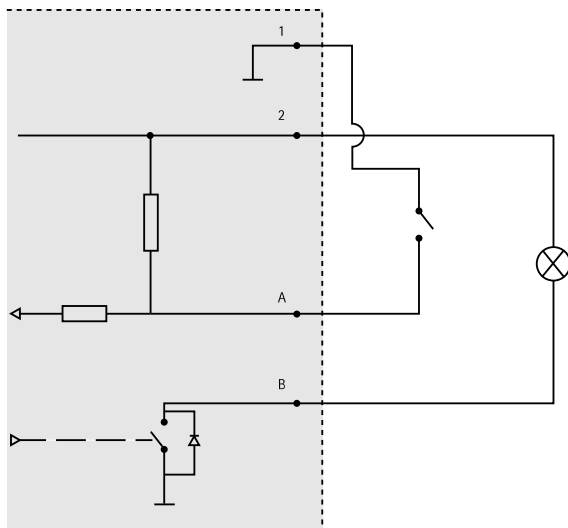
Diamètre	AWG
De 5 à 15 mm (0,197 à 0,591 po)	Environ de 4 à 6/0

Pour créer d'autres trous de câbles, ouvrez les perforations situées dans la partie inférieure du boîtier. Cf. *Aperçu du matériel* page 34.

Pour plus d'informations sur les accessoires, tels que les joints de câble et les presse-étoupes adaptés à d'autres zones de câble, consultez www.axis.com

Schémas de connexion

Connecteur d'E/S



- 1 0 VCC (-)
- 2 Sortie CC 12 V, maxi. 50 mA
- A Entrée/sortie configurée comme entrée
- B Entrée/sortie configurée comme sortie

Installation du matériel

AVIS

- Les réglementations locales ou les conditions environnementales et électriques dans lesquelles le produit est utilisé peuvent nécessiter l'utilisation d'un câble réseau blindé (STP). Tous les câbles réseau qui sont acheminés à l'extérieur ou dans des environnements électriques exigeants doivent être destinés à leur usage spécifique. Assurez-vous que les périphériques réseau sont installés conformément aux instructions du fabricant.

Pour plus d'informations sur les exigences réglementaires, consultez *Regulatory Information 2*

- Veillez à ne pas rayer, endommager ou laisser d'empreintes sur la fenêtre, car cela pourrait altérer la qualité d'image.

Le produit Axis peut être installé avec des câbles acheminés à travers ou le long du mur.

Lisez toutes les instructions avant l'installation de l'appareil :

1. Installez la fixation murale. Cf. *Installation de la fixation murale page 45*. Pour obtenir des instructions détaillées, reportez-vous au guide d'installation de la fixation murale disponible dans la boîte ou sur le site www.axis.com.
2. Placez le boîtier sur la fixation murale. Cf. *Placement du boîtier sur la fixation murale page 45*.
3. Branchez la caméra. Cf. *Branchez la caméra page 48*.

Installation de la fixation murale

⚠ATTENTION

Assurez-vous que les vis et les fiches sont adaptées au matériau (bois, métal, cloison sèche, pierre, etc.) et que le matériau est suffisamment résistant pour supporter le poids combiné de la caméra, du boîtier et du support mural.

1. Préparez le mur pour l'installation du support mural. Utilisez le support mural comme gabarit et marquez les emplacements des trous avant de les percer.
2. Acheminez le câble réseau à travers le support mural. Laissez environ 30 cm (11,8") de câble pour la connexion de la caméra.
3. Si vous connectez un périphérique auxiliaire (par exemple, un périphérique d'entrée/sortie, audio ou d'alimentation externe) à la caméra, répétez l'étape ci-dessus pour chaque périphérique.
4. Serrez les vis du support mural pour le fixer.

Note

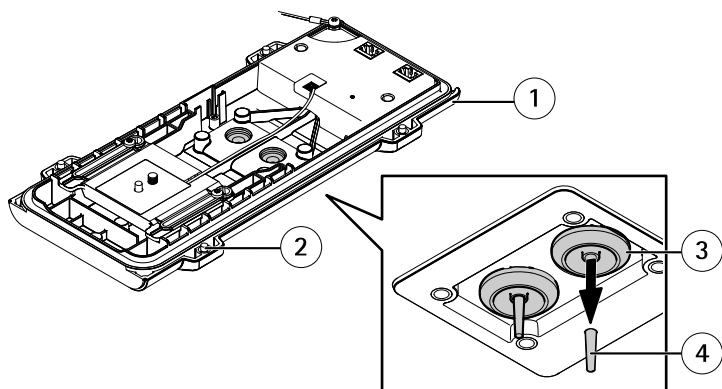
- Pour obtenir des instructions détaillées, reportez-vous au guide d'installation de la fixation murale disponible dans la boîte et sur le site www.axis.com.

Placement du boîtier sur la fixation murale

AVIS

- Utilisez des câbles adaptés à la zone spécifiée. Reportez-vous à la section *page 43*. L'utilisation d'un joint de câble autre que celui fourni risque d'entraîner une infiltration d'eau et d'endommager le produit. Pour plus d'informations sur les joints de câble et les presse-étoupes adaptés à d'autres zones de câble, consultez www.axis.com
 - Si vous utilisez plus d'un câble, chaque câble doit être acheminé au travers d'un joint de câble distinct.
 - Ouvrez uniquement un trou dans les joints de câble qui seront utilisés. Si un joint de câble est endommagé, remplacez-le par un nouveau. L'utilisation d'un joint de câble ouvert ou endommagé risque d'entraîner une infiltration d'eau et d'endommager le produit.
1. Desserrez les vis du couvercle inférieur et soulevez le couvercle supérieur.

2. Sélectionnez le joint de câble à utiliser et tirez sur la patte pour ouvrir un trou au niveau du câble réseau.

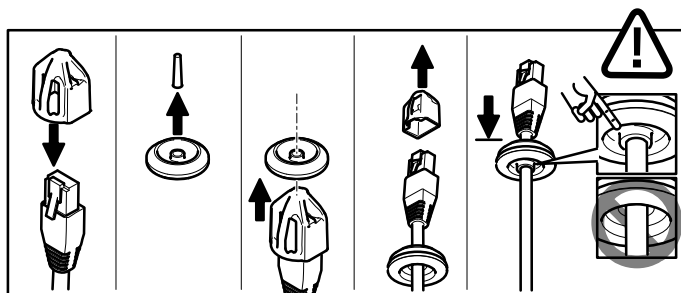


- 1 Couvercle inférieur
- 2 Vis du couvercle inférieur T20 (x4)
- 3 Joint de câble M20 (x2)
- 4 Patte

3. Faites passer le câble réseau à travers le joint de câble.

AVIS

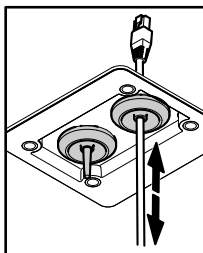
Si le câble réseau dispose d'un connecteur réseau pré-installé, retirez le joint de câble et utilisez la protection du connecteur pour éviter tout endommagement du joint de câble. Évitez d'utiliser des câbles réseau équipés de connecteurs réseau recouverts, car ils peuvent endommager le joint de câble, et ce malgré leur protection.



4. Tirez légèrement sur le câble réseau pour que le joint s'ajuste dessus.

AVIS

Si vous ne tirez pas sur le câble, il existe un risque d'infiltration d'eau et d'endommagement du produit.

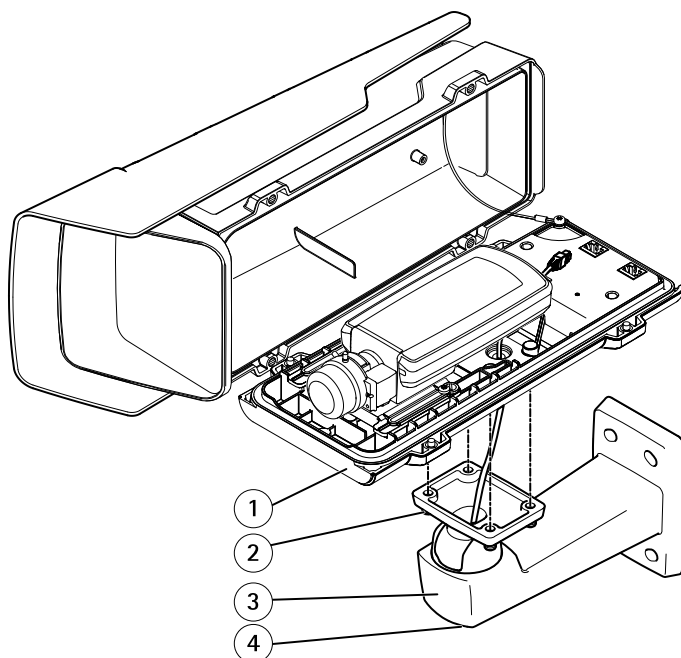


5. Assurez-vous que le joint de câble est correctement installé.
6. Si vous connectez un périphérique auxiliaire (par exemple, un périphérique d'entrée/sortie, audio ou d'alimentation externe) à la caméra, répétez les étapes ci-dessus pour chaque périphérique.

AVIS

Installez les connecteurs une fois les câbles d'alimentation insérés dans le joint de câble.

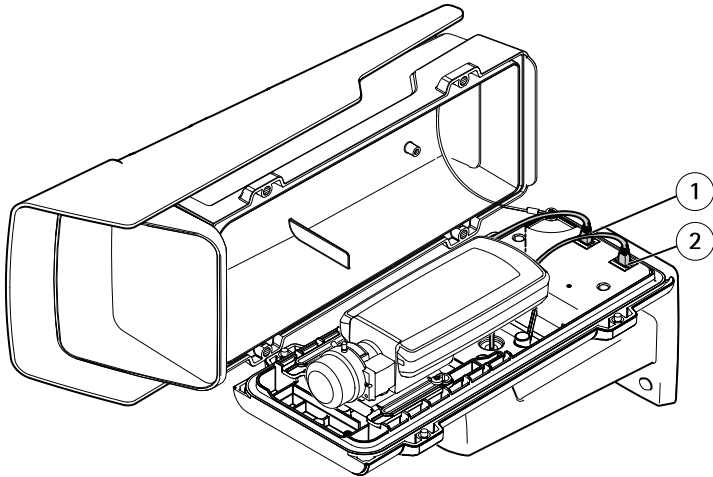
7. Placez le couvercle inférieur sur la fixation murale et serrez les vis (couple 2 Nm).



- 1 *Couvercle inférieur*
- 2 *Vis T20 (x4)*
- 3 *Support mural*
- 4 *Vis de réglage du support T30*

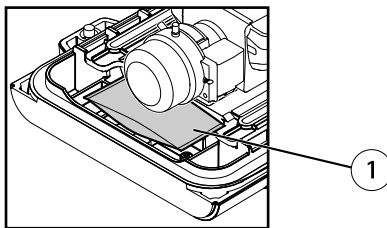
Branchez la caméra

1. Le cas échéant, connectez les dispositifs externe/entrée ou les appareils audio à la caméra.
2. Connectez le câble de régulateur de chauffage au connecteur de régulateur de chauffage sur le couvercle inférieur.
3. Si vous utilisez une carte SD en tant qu'espace de stockage local, insérez la carte dans le logement prévu à cet effet sur la caméra.
4. Connectez le boîtier au réseau (PoE IN) et la caméra au boîtier (PoE OUT).



- 1 Connecteur réseau (PoE OUT)
- 2 Connecteur réseau (PoE IN)

5. Vérifiez que les voyants sur la caméra et le boîtier indiquent une condition correcte. Cf. *Voyants page 37.*
6. Desserrez la vis de réglage du support afin d'orienter la caméra dans la direction voulue. Pour savoir comment voir le flux de données vidéo, consultez *Utilisez le produit page 50*
7. Retirez l'emballage plastique du sachet dessiccant et placez le sachet dessiccant sous l'objectif.



- 1 Sachet dessiccant

8. Fermez le boîtier. Assurez-vous de serrer en alternance les vis du couvercle inférieur de quelques tours à la fois jusqu'à ce qu'elles soient toutes bien serrées (couple 1,5 Nm). Cela permettra de garantir que le joint du couvercle inférieur est compressé de façon régulière.



Assurez-vous de ne pincer aucun câble à la fermeture du boîtier.

9. Le cas échéant, desserrez les vis de la protection étanche, ajustez sa position, puis serrez les vis.

Utilisez le produit

Si vous souhaitez rechercher des produits Axis sur le réseau ou leur affecter des adresses IP sous Windows®, nous recommandons l'utilisation des applications AXIS IP Utility et AXIS Camera Management. Ces deux applications sont gratuites et peuvent être téléchargées depuis www.axis.com/techsup

Le produit peut être utilisé avec la plupart des systèmes d'exploitation et des navigateurs. Les navigateurs recommandés sont

- Internet Explorer® avec Windows®,
- Safari® avec OS X®
- Chrome™ ou Firefox® avec les autres systèmes d'exploitation.

Pour plus d'informations concernant l'utilisation du produit, consultez le manuel de l'utilisateur disponible sur le site www.axis.com

Réglage de la mise au point

Pour régler le zoom et la mise au point, procédez comme suit :

Si la caméra est montée de telle sorte qu'il est impossible de regarder l'image et d'accéder à l'objectif en même temps, utilisez l'assistant de mise au point., voir *Réglage de la mise au point avec l'assistant de mise au point page 51.*

1. Ouvrez la page d'accueil du produit et sélectionnez **Setup (Configuration) > Basic Setup (Configuration de base) > Focus (Mise au point)**.
2. Sous l'onglet **Basic (Base)**, cliquez sur **Open iris (Ouvrir l'iris)**. Si le bouton est inactif, l'iris est déjà ouvert.
3. Si la mise au point a déjà été effectuée, cliquez sur **Reset (Réinitialiser)** pour réinitialiser la mise au point arrière.
4. Desserrez la commandes de zoom et la vis de verrouillage de la bague de mise au point de l'objectif en les tournant dans le sens inverse des aiguilles d'une montre. Consultez *Aperçu du matériel page 34.*
5. Déplacez la commande de zoom et la vis de verrouillage pour régler le zoom et la mise au point et vérifiez la qualité de l'image dans la fenêtre correspondante.
6. Resserrez la commande du zoom et la vis de verrouillage de la bague de mise au point.
7. À la page **Focus (Mise au point)**, cliquez sur **Fine-tune focus automatically (Ajuster la mise au point automatiquement)** et attendez que l'ajustement automatique soit terminé.
8. Cliquez sur **Enable iris (Activer l'iris)**. Si le bouton est inactif, l'iris est déjà activé.

9. Si nécessaire, effectuez d'autres réglages sous l'onglet **Advanced (Avancé)**. Consultez l'aide en ligne pour plus d'informations.

Réglage de la mise au point avec l'assistant de mise au point

Note

- La vue en face de la caméra ne doit pas être modifiée lors du réglage de la mise au point. Si la caméra est déplacée ou si un doigt ou un autre objet est placé devant l'objectif, vous devrez recommencer la procédure.
 - Si les mouvements devant la caméra ne peuvent pas être évités, l'assistant de mise au point ne doit pas être utilisé.
 - Si vous ne relâchez pas le bouton de commande dans les deux secondes, le service AXIS Dynamic DNS sera activé au lieu de l'assistant de mise au point.
 - Si la caméra est montée de sorte qu'il soit impossible d'accéder au bouton de commande vous pouvez tout de même utiliser l'assistant. Suivez les instructions mais activez l'assistant de mise au point avant de fixer la caméra.
1. Ouvrez la page d'accueil du produit et sélectionnez **Setup (Configuration) > Basic Setup (Configuration de base) > Focus (Mise au point)**.
 2. Sous l'onglet **Basic (Base)**, cliquez sur **Open iris (Ouvrir l'iris)**. Si le bouton est inactif, l'iris est déjà ouvert.
 3. Si la mise au point a déjà été effectuée, cliquez sur **Reset (Réinitialiser)** pour réinitialiser la mise au point arrière.
 4. Installez la caméra ou placez-la de façon à ce qu'elle ne puisse pas bouger.
 5. Desserrez la commande de zoom en la tournant dans le sens inverse des aiguilles d'une montre. Déplacez la commande pour régler le niveau du zoom. Resserrez la commande de zoom.
 6. Réglez la caméra sur sa position de mise au point à distance extrême en desserrant la vis de verrouillage de la bague de mise au point et en tournant la bague de mise au point au maximum dans le sens des aiguilles d'une montre.
 7. Appuyez sur le bouton de commande et relâchez-le très vite. Lorsque le voyant d'état clignote, l'assistant de mise au point est activé.
 8. Tournez délicatement la bague de mise au point dans le sens inverse des aiguilles d'une montre jusqu'à ce qu'elle s'arrête.
 9. Tournez lentement la bague de mise au point dans le sens inverse des aiguilles d'une montre jusqu'à ce que l'indicateur d'état clignote en vert.
 10. Pour quitter l'assistant de mise au point, appuyez à nouveau sur le bouton de commande. Si vous ne pouvez pas atteindre le bouton de commande, l'assistant de mise au point se désactive automatiquement après 15 minutes.
 11. Resserrez la vis de verrouillage de la bague de mise au point.

12. Ouvrez la page Live View (Vue en direct) du navigateur web et contrôlez la qualité de l'image.
13. À la page Focus (Mise au point), cliquez sur **Fine-tune focus automatically (Ajuster la mise au point automatiquement)** et attendez que l'ajustement automatique soit terminé.
14. Cliquez sur **Enable iris (Activer l'iris)**. Si le bouton est inactif, l'iris est déjà activé.
15. Si nécessaire, effectuez d'autres réglages sous l'onglet **Advanced (Avancé)**. Consultez l'aide en ligne pour plus d'informations.

Réinitialisation aux paramètres d'usine par défaut

Important

La réinitialisation aux paramètres par défaut doit être utilisée avec prudence. Cette opération reconfigure tous les paramètres, y compris l'adresse IP, aux valeurs d'usine par défaut.

Note

Les logiciels d'installation et de gestion sont disponibles sur les pages d'assistance du site www.axis.com/techsup

Pour réinitialiser l'appareil aux paramètres d'usine par défaut :

1. Déconnectez l'alimentation de l'appareil.
2. Maintenez le bouton de commande enfoncé et remettez l'appareil sous tension. Consultez *Aperçu du matériel page 34*.
3. Maintenez le bouton de commande enfoncé pendant 15 à 30 secondes, jusqu'à ce que le voyant d'état passe à l'orange et clignote.
4. Relâchez le bouton de commande. Le processus est terminé lorsque le voyant d'état passe au vert. Les paramètres d'usine par défaut de l'appareil ont été rétablis. En l'absence d'un serveur DHCP sur le réseau, l'adresse IP par défaut est 192 . 168 . 0 . 90.
5. Utilisez les outils d'installation et de gestion pour attribuer une adresse IP, configurer le mot de passe et accéder au flux de données vidéo.
6. Nouvelle mise au point du produit.

Il est également possible de rétablir les paramètres d'usine à partir de l'interface Web. Accédez à **Setup > System Options > Maintenance (Configuration > Options du système > Maintenance)** et cliquez sur **Default (Défaut)**.

Pour obtenir plus de renseignements

Pour la dernière version de ce document, consultez le site www.axis.com

Le Manuel de l'utilisateur est disponible à l'adresse suivante : www.axis.com

Consultez le site www.axis.com/techsup pour vérifier si des mises à jour des logiciels sont disponibles pour votre appareil réseau. Pour connaître la version du micrologiciel actuellement installée, reportez-vous à la page **Setup > About (Configuration > À propos de)**.

Visitez le centre d'apprentissage en ligne Axis sur le site www.axis.com/academy pour en savoir plus sur les formations, les webinaires, les tutoriels et les guides.

Informations sur la garantie

Pour obtenir de plus amples informations sur la garantie du produit AXIS et des renseignements connexes, allez sur le site www.axis.com/warranty/

Sicherheitsinformation

Lesen Sie das Installationshandbuch sorgfältig durch bevor sie das Produkt installieren. Bewahren Sie das Installationshandbuch für zukünftige Zwecke auf.

Gefährdungsstufen

▲GEFAHR

Weist auf eine gefährliche Situation hin, welche, falls nicht verhindert, zu Tod oder schweren Verletzungen führt.

▲WARNUNG

Weist auf eine gefährliche Situation hin, welche, falls nicht verhindert, zu Tod oder schweren Verletzungen führen kann.

▲VORSICHT

Weist auf eine gefährliche Situation hin, welche, falls nicht verhindert, zu geringfügiger oder mäßiger Verletzung führen kann.

HINWEIS

Weist auf eine gefährliche Situation hin, welche, falls nicht verhindert, zu Sachschäden führen kann.

Weitere Nachrichtenstufen

Wichtig

Weist auf wichtige Informationen hin, die den richtigen Betrieb des Produkts gewährleisten.

Beachten

Weist auf nützliche Informationen hin, die die optimale Verwendung des Produkts unterstützen.

Sicherheitsanweisungen

HINWEIS

- Die Anwendung des Axis Produkts muss unter Beachtung der örtlich geltenden rechtlichen Bestimmungen erfolgen.
- Lagern Sie das Axis Produkt in einer trockenen und belüfteten Umgebung.
- Achten Sie darauf, dass das Axis Produkt weder Stößen noch starkem Druck ausgesetzt ist.
- Installieren Sie das Produkt nicht an instabilen Halterungen, Oberflächen oder Wänden.
- Verwenden Sie bei der Installation des Axis Produkts ausschließlich passende Werkzeuge. Ein zu großer Kraftaufwand mit elektrischen Werkzeugen kann das Produkt beschädigen.
- Verwenden Sie keine chemischen, ätzenden oder aerosolhaltigen Reinigungsmittel.
- Verwenden Sie zum Reinigen ein sauberes, mit destilliertem Wasser angefeuchtetes Tuch.
- Verwenden Sie nur Zubehör, das den technischen Daten des Produkts entspricht. Dieses ist von Axis oder Drittanbietern erhältlich.
- Verwenden Sie ausschließlich Ersatzteile die von Axis bereitgestellt oder empfohlen werden.
- Versuchen Sie nicht, das Produkt selbstständig zu reparieren. Wenden Sie sich bezüglich Reparatur und Wartung an den Axis Support oder Ihren Axis Händler.

Transport

HINWEIS

- Bei Bedarf transportieren Sie das Axis Produkt in der Originalverpackung oder einer entsprechenden Verpackung, so dass Schäden vermieden werden.

Batterie

Das Axis-Produkt ist mit einer 3,0 V-CR2032-Lithium-Batterie ausgestattet, mit der die interne Echtzeituhr (RTC) versorgt wird. Unter normalen Bedingungen hat die Batterie eine Lebensdauer von mindestens fünf Jahren.

Bei entladener Batterie ist der Betrieb der Echtzeituhr nicht mehr gewährleistet, sodass die Uhr bei jedem Systemstart zurückgesetzt wird. Sie erhalten eine Protokollnachricht im Serverbericht des Produkts, wenn ein Batteriewechsel erforderlich ist. Weitere Informationen über den Serverbericht finden Sie auf den Setup-Seiten des Produkts, oder wenden Sie sich an den Axis Support.

Die Batterie sollte nur bei Bedarf ersetzt werden. Wenden Sie sich in diesem Fall an den Axis Support unter www.axis.com/techsup.

Lithium-Knopfzellen (3,0 V) enthalten 1,2-Dimethoxyethan; Ethylenglycoldimethylether (EGDME), CAS-Nr. 110-71-4.

⚠WARNUNG

- Explosionsgefahr bei fehlerhaftem Batteriewechsel.
- Die Batterie darf nur durch eine identische Batterie oder eine von Axis empfohlene Batterie ersetzt werden.
- Verbrauchte Batterien sind gemäß den örtlichen Vorschriften oder den Anweisungen des Herstellers zu entsorgen.

Installationsanleitung

In dieser Anleitung wird die Installation der AXIS P1364-E/P1365-E Netzwerk-Kamera in Ihrem Netzwerk beschrieben. Weitere Informationen zur Nutzung dieses Produkts finden Sie im Benutzerhandbuch unter www.axis.com.

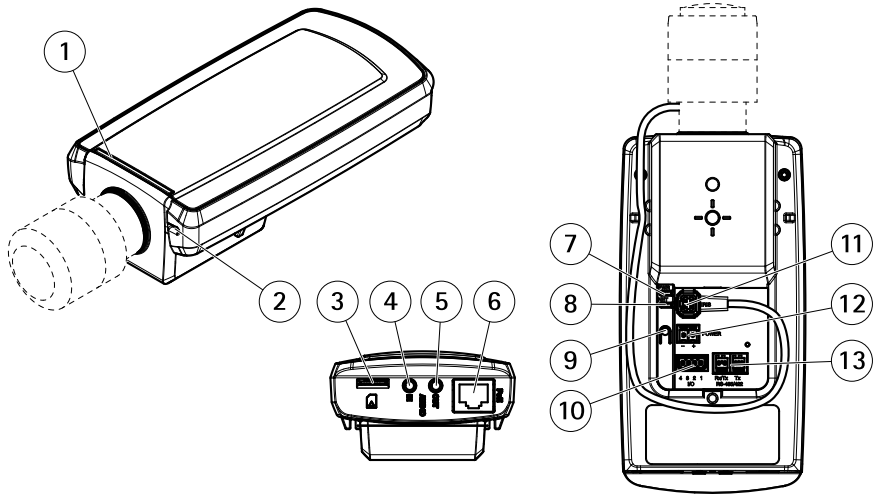
Installationschritte

1. Stellen Sie sicher, dass die Packungsinhalte, Werkzeuge und andere notwendige Materialien für die Installation in Ordnung sind. Siehe *Seite 59*.
2. Machen Sie sich mit der Hardware-Übersicht vertraut. Siehe *Seite 60*.
3. Machen Sie sich mit den technischen Daten vertraut. Siehe *Seite 66*.
4. Installieren Sie die Hardware. Siehe *Seite 70*.
5. Greifen Sie auf das Produkt zu. Siehe *Seite 76*.
6. Stellen Sie den Fokus ein. Siehe *Seite 76*.

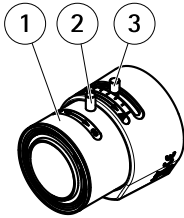
Lieferumfang

- Netzwerk-Kamera
 - AXIS P1364-E
 - AXIS P1365-E
- Anschluss-Kit
- AXIS T94Q01A Wandhalterung mit innenliegendem Kabelkanal
- Schraubenset T30
- AXIS Anschlussstück A
- Netzwerkkabel zum Anschließen der Kamera an das Gehäuse
- AXIS Kabeldichtungen M20
- Antikondensationsbeutel
- Gedruckte Dokumente
 - Installationsanleitung (dieses Dokument)
 - Zusätzliche Etiketten mit der Seriennummer (2x)
 - AVHS-Authentifizierungsschlüssel

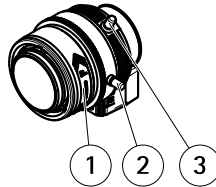
Übersicht über die Hardware



- 1 Status-LED
- 2 Integriertes Mikrofon
- 3 microSD-Karteneinschub
- 4 Audioeingang
- 5 Audioausgang
- 6 Netzwerkanschluss (PoE)
- 7 Netz-LED
- 8 Netzwerk-LED
- 9 Steuertaste
- 10 E/A-Anschluss
- 11 Blendenanschluss
- 12 Nicht verwendet
- 13 RS485/422-Anschluss

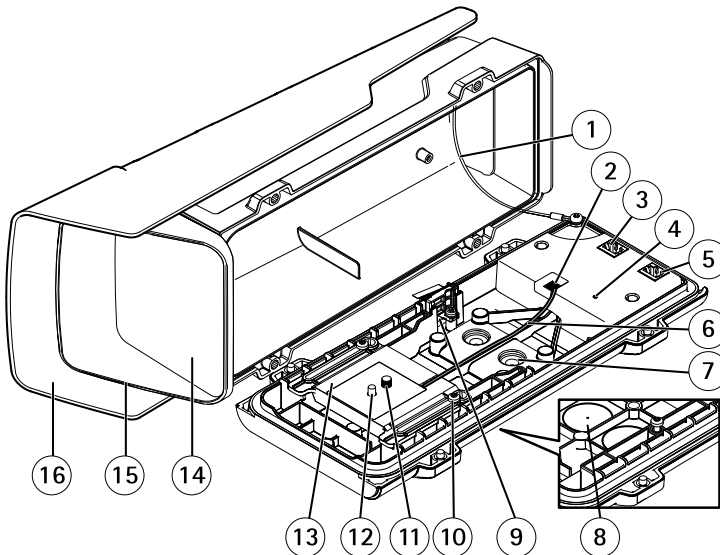


AXIS P1364-E



AXIS P1365-E

- 1 Fokusring
- 2 Feststellschraube für den Fokusring
- 3 Zoomregler

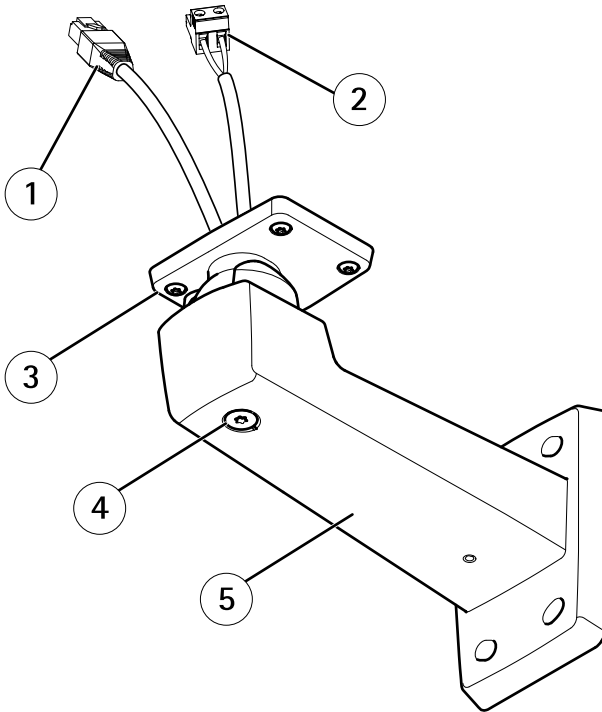


- 1 Sicherheitsdraht
- 2 Anschluss für Heizelement
- 3 Netzwerkanschluss (PoE-Ausgang)
- 4 LED-Statusanzeige
- 5 Netzwerkanschluss (PoE IN)
- 6 Kabel für Heizelement
- 7 Kabeldichtung M20 (2x)

AXIS P13-E Series

- 8 *Aufbohrung (2x)*
- 9 *Einbruchalarmschalter*
- 10 *Schraube T20 für Halter (2x)*
- 11 *Schraube T20 für Kamera*
- 12 *Stift*
- 13 *Halter*
- 14 *Fenster*
- 15 *Obere Abdeckung*
- 16 *Wetterschutz*

Wandmontage



- 1 *Netzwerkkabel (durch Wandhalterung führen)*
- 2 *Stromkabel (durch Wandhalterung führen) (für Produkte mit Stromanschluss)*
- 3 *Schraube T20 (4x)*
- 4 *Einstellschraube T30 für Halterung*
- 5 *Wandhalterung*

LEDs

Beachten

- Die Status-LED kann so eingestellt werden, dass sie während des Normalbetriebs nicht leuchtet. Diese Konfiguration können Sie unter **Setup > System Options > Ports & Devices > LED (Setup > Systemoptionen > Ports & Geräte > LED)** einstellen. Weitere Informationen finden Sie in der Online-Hilfe.
- Die Status-LED kann so eingestellt werden, dass sie blinkt, wenn ein Ereignis aktiv ist.
- Die Status-LED kann so eingestellt werden, dass sie blinkt, wenn die Einheit erkannt wird. Rufen Sie **Setup > System Options > Maintenance (Setup > Systemoptionen > Wartung)** auf.

Status-LED	Bedeutung
Grün	Leuchtet bei Normalbetrieb grün.
Gelb	Leuchtet beim Start. Blinkt beim Wiederherstellen der Einstellungen.

Netzwerk-LED	Bedeutung
Grün	Leuchtet bei Verbindung mit einem 100 MBit/s-Netzwerk. Blinkt bei Netzwerkaktivität.
Gelb	Leuchtet bei Verbindung mit einem 10 MBit/s-Netzwerk. Blinkt bei Netzwerkaktivität.
Leuchtet nicht	Keine Netzwerkverbindung vorhanden.

Netz-LED	Bedeutung
Grün	Normaler Betrieb.
Gelb	Blinkt grün/gelb bei der Firmware-Aktualisierung.

LED-Leuchten am Gehäuse

LED	Farbe	Bedeutung
Status	Grün	Normaler Betrieb
	Grünes, einmaliges Blinken	Probleme mit dem Heizelement
	Grünes, doppeltes Blinken	Selbsttest
	Grünes, dreifaches Blinken	Allgemeiner Fehler

Verhalten der LED-Statusanzeige für den Fokus-Assistenten

Die Status-LED blinkt, wenn der Fokus-Assistent aktiviert ist.

Farbe	Bedeutung
Rot	Bild unscharf. Objektiv einstellen.
Gelb	Bild fest scharf. Feineinstellung des Objektivs vornehmen.
Grün	Bild scharf.

Anschlüsse und Tasten

Für die technischen Daten und Betriebsbedingungen siehe *Seite 66*.

Netzwerkanschluss

RJ-45-Ethernetanschluss mit Power over Ethernet (PoE).

HINWEIS

Aufgrund örtlicher Vorschriften oder der Umgebungsbedingungen und elektrischen Bedingungen, unter denen das Produkt verwendet wird, kann ein abgeschirmtes Netzkabel (STP) empfehlenswert oder notwendig sein. Alle Netzkabel des Produkts, die im Außenbereich oder in schwierigen elektrischen Umgebungen verlegt werden, müssen hierfür ausgelegt sein. Stellen Sie sicher, dass die Netzwerkgeräte gemäß den Anweisungen des Herstellers installiert wurden. Informationen zu gesetzlichen Bestimmungen finden Sie unter *Electromagnetic Compatibility (EMC) 2*.

E/A-Anschluss

Zur Verwendung mit externen Geräten in Verbindung mit Manipulationsalarmen, Bewegungserkennung, Ereignisauslösung, Zeitrafferaufnahmen, Alarmbenachrichtigungen usw. Abgesehen vom 0 V DC-Bezugspunkt und einer Strom (Gleichstromausgang) verfügt die E/A-Klemmenleiste über eine Schnittstelle zu:

- **Digitalausgang** – Zum Anschluss externer Geräte wie Relais und LEDs. Angeschlossene Geräte können über die VAPIX® Application Programming Interface (Programmierschnittstelle) über die Schaltflächen für den Ausgang auf der Seite „Live View“ oder durch eine Aktionsregel aktiviert werden. Der Ausgang wird als aktiv (siehe **System Options > Ports & Devices (Systemoptionen > Anschlüsse und Geräte)**) angezeigt, wenn das Alarmmeldegerät aktiviert ist.
- **Digitaleingang** – Alarmeingang für den Anschluss von Geräten, die zwischen geöffnetem und geschlossenem Schaltkreis wechseln können, z. B.: PIR-Sensoren, Tür-/Fensterkontakte, Glasbruchmelder usw. Bei Empfang eines Signals ändert sich der Status und der Eingang wird aktiviert (siehe **System Options > Ports & Devices (Systemoptionen > Anschlüsse & Geräte)**).

Audioanschlüsse

Das Axis-Produkt ist mit den folgenden Audioanschlüssen ausgestattet:

- **Audioeingang (rosa)** – 3,5-mm-Anschluss für ein Monomikrofon oder ein Monosignal.
- **Audioausgang (grün)** – 3,5-mm-Audioausgang (Leitungspegel) zum Anschließen einer Rundrufanlage (PA) oder eines Aktivlautsprechers mit integriertem Verstärker. Für den Audioausgang muss ein Stereostecker verwendet werden.

Beim Audioeingang wird der linke Kanal von einem Stereosignal benutzt.

RS485-/RS422-Anschluss

Zwei 2-polige Anschlussblöcke für serielle Schnittstellen vom Typ RS-485/RS-422 zur Steuerung von Zusatzgeräten, beispielsweise zum Schwenken und Neigen.

SD-Kartensteckplatz

HINWEIS

- Gefahr von Schäden an der SD-Karte. Verwenden Sie beim Einlegen oder Entfernen der SD-Karte keine scharfen/spitzen Werkzeuge und wenden Sie nicht zu viel Kraft an.
- Gefahr vor Datenverlust. Um einer Beschädigung der Aufnahmen vorzubeugen, sollte die SD-Karte vor dem mechanischen Auswerfen getrennt werden. Rufen Sie zum Trennen **Setup > System Options > Storage > SD Card (Setup > Systemoptionen > Speicher > SD-Karte)** auf und klicken Sie auf **Unmount (Trennen)**.

Dieses Produkt unterstützt microSD-/microSDHC-/microSDXC-Karten (separat erhältlich).

AXIS P13-E Series

Empfehlungen zu SD-Karten finden Sie unter www.axis.com.

Steuertaste

Die Steuertaste befindet sich an folgender Stelle: *Übersicht über die Hardware auf Seite 60.*

Die Steuertaste hat folgende Funktionen:

- Aktivierung des Fokus-Assistenten. Drücken Sie kurz die Steuertaste.
- Zurücksetzen des Produkts auf die Werkseinstellungen. Siehe *Seite 78.*
- Verbinden mit einem AXIS Video Hosting System-Service oder einem AXIS Internet Dynamic DNS-Service. Weitere Informationen zu diesen Diensten finden Sie in der Bedienungsanleitung.

Technische Daten

Betriebsbedingungen

Das Axis Produkt ist für die Verwendung im Außenbereich konzipiert.

Produkt	Temperatur	Luftfeuchtigkeit
AXIS P1364-E	-40 °C bis 50 °C	10 bis 100 % rF (kondensierend)
AXIS P1365-E	-40 °C bis 50 °C	10 bis 100 % rF (kondensierend)

Wichtig

Liegt die Umgebungstemperatur unter 0 °C, kann die Inbetriebnahme bis zu 60 Minuten dauern. Je kälter die Temperatur, desto länger dauert die Inbetriebnahme.

Stromverbrauch

HINWEIS

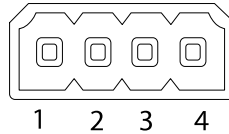
Verwenden Sie eine Stromquelle mit begrenzter Leistung (LPS), entweder mit einer Nennausgangsleistung von ≤ 100 W oder einem dauerhaft auf ≤ 5 A begrenzten Nennausgangsstrom.

Produkt	PoE
AXIS P1364-E	Power over Ethernet (PoE) IEEE 802.3af/802.3at Typ 1 Klasse 3, max. 12,95 W, normalerweise 5,0 W
AXIS P1365-E	Power over Ethernet (PoE) IEEE 802.3af/802.3at Typ 1 Klasse 3, max. 12,95 W, normalerweise 5,3 W

Anschlüsse

E/A-Anschluss

4-poliger Anschlussblock



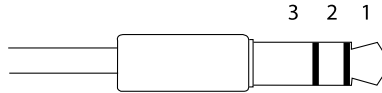
Ein Beispielschaltbild finden Sie unter *Anschlusschaltbilder auf Seite 70*.

Funktion	Kontakt	Hinweise	Technische Daten
0 V DC (-)	1		0 V DC
Gleichstromausgang	2	Kann für die Stromversorgung von Zusatzgeräten verwendet werden. Hinweis: Dieser Kontakt kann nur für den Stromausgang verwendet werden.	12 V DC Max. Stromstärke = 50 mA
Konfigurierbar (Ein- oder Ausgang)	3-4	Digitaleingang – zum Aktivieren mit Pin 1 verbinden; zum Deaktivieren nicht anschließen.	0 bis max. 30 V DC
		Digitalausgang – bei Aktivierung mit Pin 1 verbunden; wenn deaktiviert: frei (nicht verbunden). Bei Verwendung mit einer induktiven Last, z. B. einem Relais, muss parallel zur Last zum Schutz vor Spannungsspitzen eine Diode zwischengeschaltet werden.	0 bis max. 30 V DC, Open Drain, 100 mA

AXIS P13-E Series

Audioanschlüsse

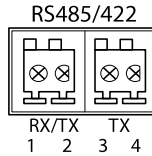
3,5-mm-
Audioanschlüsse
(stereo)



	1 Spitze	2 Ring	3 Schaft
Audioeingang	Mikrofon-/Leitungseingang		Masse
Audioausgang	Leitungsausgang (mono)		Masse

RS485/422-Anschluss

Zwei 2-polige Anschlussblöcke für serielle Schnittstellen vom Typ RS485/RS422. Der serielle Anschluss kann in den folgenden Anschlussmodi konfiguriert werden:



- zweiadrigter RS485-Halbduplex-Anschluss
- vieradrigter RS485-Vollduplex-Anschluss
- zweiadrigter RS422-Simplex-Anschluss
- vieradrigter RS422-Vollduplex-Anschluss (Punkt-zu-Punkt-Verbindung)

Funktion	Kon-takt	Hinweise
RS485B alt RS485/422 RX(B)	1	RX-Paar für alle Modi (kombinierter RX/TX für RS485 mit 2 Leitern)
RS485A alt RS485/422 RX(A)	2	
RS485/RS422 TX(B)	3	TX-Paar für RS422 und RS485 mit 4 Leitern
RS485/RS422 TX(A)	4	

Wichtig

Die empfohlene maximale Kabellänge beträgt 30 m (98,4 ft).

Kabelbereich

HINWEIS

- Verwenden Sie Kabel aus dem angegebenen Kabelbereich.
- Verwenden Sie Kabel, die den örtlichen Vorschriften entsprechen.
- Stellen Sie sicher, dass alle Kabellöcher ordnungsgemäß verschlossen sind.
- Verwenden Sie Kabeldichtungen oder Kabelverschraubungen, die sowohl zur Kabeldurchführung als auch zum Kabelbereich passen.

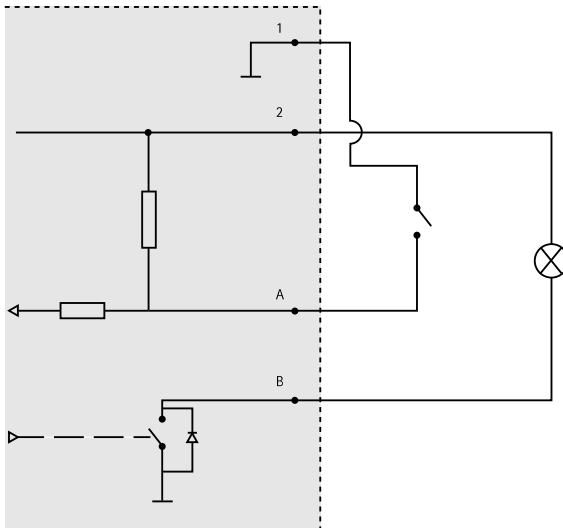
Durchmesser	AWG
5 bis 15 mm	Ca. 4 bis 6/0

Öffnen Sie für zusätzliche Kabellöcher die Aufbohrungen in der Gehäuseunterseite. Siehe *Übersicht über die Hardware auf Seite 60*.

Unter www.axis.com finden Sie Informationen über Zubehör wie Kabeldichtungen und Kabelverschraubungen für andere Kabelbereiche.

Anschlusschaltbilder

E/A-Anschluss



- 1 0 V (-) DC
- 2 DC-Ausgang 12 V, max. 50 mA
- A E/A als Eingang konfiguriert
- B E/A als Ausgang konfiguriert

Installieren der Hardware

HINWEIS

- Aufgrund örtlicher Vorschriften oder der Umgebungsbedingungen und elektrischen Bedingungen, unter denen das Produkt verwendet wird, kann ein abgeschirmtes Netzkabel (STP) empfehlenswert oder notwendig sein. Alle Netzkabel des Produkts, die im Außenbereich oder in anspruchsvollen elektrischen Umgebungen verlegt werden, müssen hierfür ausgelegt sein. Stellen Sie sicher, dass die Netzwerkegeräte gemäß den Anweisungen des Herstellers installiert wurden.

Informationen zu gesetzlichen Bestimmungen finden Sie unter *Regulatory Information 2*

- Vermeiden Sie Kratzer, Beschädigungen oder Fingerabdrücke am Fenster, da dies die Bildqualität beeinträchtigen kann.

Bei der Installation des Axis Produkts können die Kabel durch die Wand oder an der Wand entlang geführt werden.

Lesen Sie die Anweisungen, bevor Sie das Produkt installieren:

1. Montieren Sie die Wandhalterung. Siehe *Montage der Wandhalterung auf Seite 71*. Ausführliche Anweisungen finden Sie in der beiliegenden Installationsanleitung für die Wandhalterung oder unter www.axis.com.
2. Befestigen Sie das Gehäuse an der Wandhalterung. Siehe *Befestigen des Gehäuses an der Wandhalterung auf Seite 72*.
3. Schließen Sie die Kamera an. Siehe *Anbringen der Kamera auf Seite 74*.

Montage der Wandhalterung

▲VORSICHT

Stellen Sie sicher, dass Sie die für das Material (z. B. Holz, Metall, Gipskarton, Stein) geeigneten Schrauben und Dübel verwenden und das Material stabil genug ist, um das Gesamtgewicht von Kamera, Gehäuse und Wandhalterung zu tragen.

1. Bereiten Sie die Wand für die Installation der Wandhalterung vor. Markieren Sie vor dem Bohren die Bohrlöcher mit der Wandhalterung als Vorlage.
2. Führen Sie das Netzkabel durch die Wandhalterung. Lassen Sie zum Anschließen der Kamera ca. 30 cm Kabel frei.
3. Wenn Sie ein zusätzliches Gerät an die Kamera anschließen, z. B. ein E/A- oder Audiogerät bzw. ein externes Netzteil, wiederholen Sie die oben aufgeführten Schritte für jedes Gerät.
4. Befestigen Sie die Wandhalterung an der Wand, indem Sie die Schrauben festziehen.

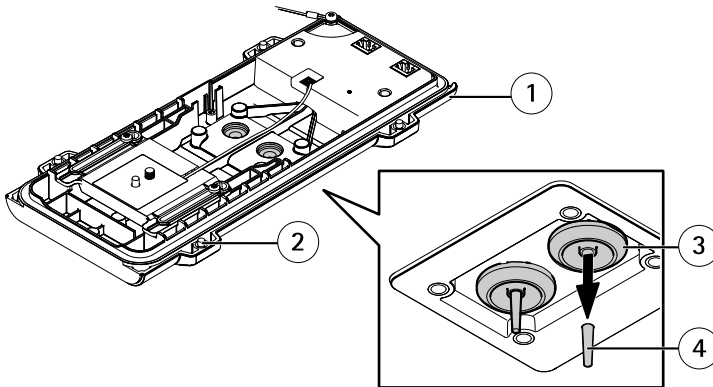
Beachten

- Ausführliche Anweisungen finden Sie in der beiliegenden Installationsanleitung für die Wandhalterung oder unter www.axis.com.

Befestigen des Gehäuses an der Wandhalterung

HINWEIS

- Verwenden Sie Kabel aus dem angegebenen Kabelbereich, siehe Seite 69. Wenn eine andere Kabeldichtung als die mitgelieferte verwendet wird, kann Wasser eindringen und das Produkt beschädigen. Unter www.axis.com finden Sie Informationen zu Kabeldichtungen und Kabelverschraubungen für andere Kabelbereiche.
 - Wird mehr als ein Kabel verwendet, muss jedes Kabel durch eine separate Kabeldichtung geführt werden.
 - Öffnen Sie bei den verwendeten Kabeldichtungen nur ein Loch. Wenn eine Kabeldichtung eingerissen ist, ersetzen Sie diese durch eine neue. Wenn eine Kabeldichtung geöffnet bleibt oder eine eingerissene Kabeldichtung verwendet wird, kann Wasser eindringen und das Produkt beschädigen.
1. Lösen Sie die Schrauben an der unteren Abdeckung, und heben Sie die obere Abdeckung an.
 2. Wählen Sie die zu verwendende Kabeldichtung aus, und ziehen Sie an der Lasche, um ein Loch für das Netzkabel zu öffnen.

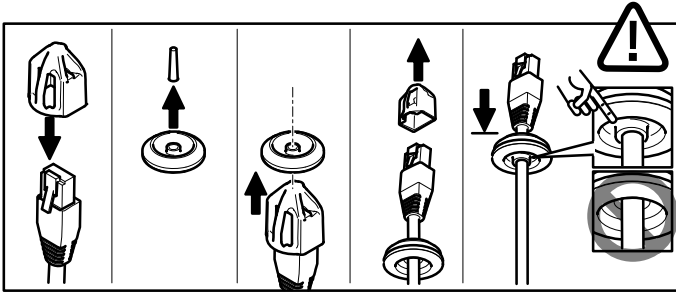


- 1 Untere Abdeckung
- 2 Schraube T20 für untere Abdeckung (4x)
- 3 Kabeldichtung M20 (2x)
- 4 Lasche

3. Führen Sie das Netzkabel durch die Kabeldichtung.

HINWEIS

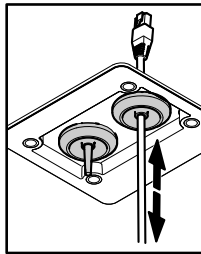
Wenn das Netzkabel über einen vormontierten Netzwerkstecker verfügt, entfernen Sie die Kabeldichtung, und verwenden Sie das Anschlussstück, um ein Reißen der Kabeldichtung zu verhindern. Verwenden Sie keine Netzkabel, die Netzwerkstecker mit Deckeln aufweisen, da diese auch bei Verwendung des Anschlussstücks zum Reißen der Kabeldichtung führen können.



4. Ziehen Sie das Netzkabel ein wenig zurück, bis die Kabeldichtung bündig um das Kabel sitzt.

HINWEIS

Wird das Kabel nicht zurückgezogen, kann Wasser eindringen und das Produkt beschädigen.

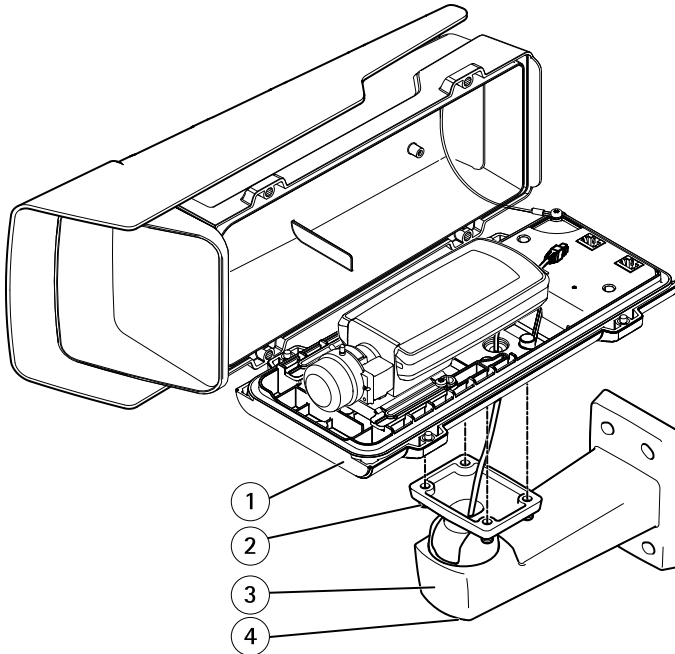


5. Vergewissern Sie sich, dass die Kabeldichtung ordnungsgemäß sitzt.
6. Wenn Sie ein zusätzliches Gerät an die Kamera anschließen, z. B. ein E/A- oder Audiogerät bzw. ein externes Netzteil, wiederholen Sie die oben aufgeführten Schritte für jedes Gerät.

HINWEIS

Bringen Sie die Anschlüsse an, nachdem die Kabel durch die Kabeldichtung geführt wurden.

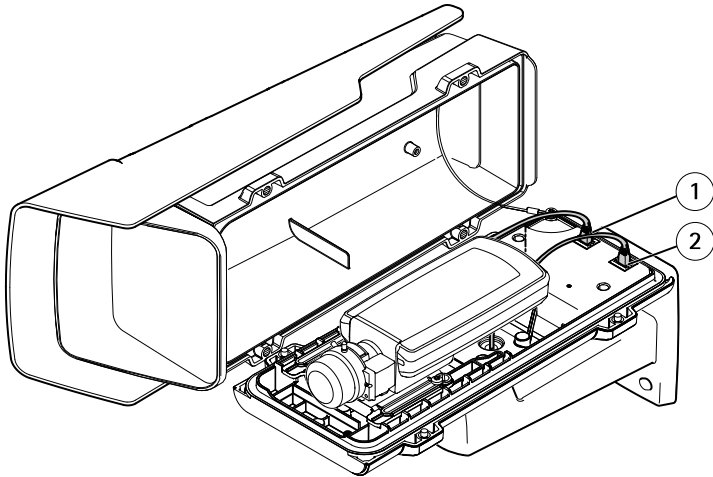
7. Setzen Sie die untere Abdeckung auf die Wandhalterung, und ziehen die Schrauben an (Drehmoment 2 Nm).



- 1 Untere Abdeckung
- 2 Schraube T20 (4x)
- 3 Wandhalterung
- 4 Einstellschraube T30 für Halterung

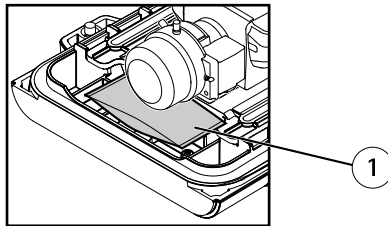
Anbringen der Kamera

1. Schließen Sie ggf. externe bzw. Eingabegeräte oder Audiogeräte an die Kamera an.
2. Schließen Sie das Kabel des Heizelements an den entsprechenden Anschluss in der unteren Abdeckung an.
3. Wenn Sie eine SD-Karte als lokalen Speicher verwenden, setzen Sie die Karte in den SD-Karteneinschub der Kamera ein.
4. Schließen Sie das Gehäuse an das Netzwerk (PoE-Eingang) und die Kamera am Gehäuse (PoE-Ausgang) an.



- 1 Netzwerkanschluss (PoE-Ausgang)
- 2 Netzwerkanschluss (PoE IN)

5. Vergewissern Sie sich, dass die Kamera- und Gehäuse-LEDs den Betriebszustand ordnungsgemäß anzeigen. Siehe *LEDs auf Seite 63*.
6. Lösen Sie die Einstellschraube der Halterung und richten Sie die Kamera auf das gewünschte Ziel aus. Informationen zum Anzeigen des Videostroms finden Sie unter *Zugriff auf das Produkt auf Seite 76*
7. Entfernen Sie die Plastikschutzhülle des Antikondensationsbeutels und legen Sie den Antikondensationsbeutel unter das Objektiv.



- 1 Antikondensationsbeutel

8. Schließen Sie das Gehäuse. Ziehen Sie die Schrauben der unteren Abdeckung im Wechsel jeweils wenige Umdrehungen an, bis sie fest sitzen (Drehmoment 1,5 Nm). Auf diese Weise wird sichergestellt, dass die Dichtung der unteren Abdeckung gleichmäßig sitzt.

HINWEIS

Stellen Sie sicher, dass beim Schließen des Gehäuses keine Kabel eingeklemmt werden.

9. Lösen Sie ggf. die Schrauben des Sonnenschutzes und richten Sie diesen aus und ziehen Sie die Schrauben wieder fest.

Zugriff auf das Produkt

Für die Suche nach Axis Produkten im Netzwerk und zur Zuweisung einer IP-Adresse unter Windows® werden AXIS IP Utility und AXIS Camera Management empfohlen. Beide Anwendungen sind kostenlos und können von unserer Website unter www.axis.com/techsup heruntergeladen werden.

Das Produkt ist mit den meisten Standard-Betriebssystemen und Browsern kompatibel. Empfohlen werden die Browser

- Internet Explorer® unter Windows®
- Safari® unter OS X®
- Chrome™ oder Firefox® unter anderen Betriebssystemen

Weitere Informationen zur Nutzung dieses Produkts finden Sie im Benutzerhandbuch unter www.axis.com.

Einstellen der Bildschärfe

Befolgen Sie die folgenden Anweisungen, um Zoom und Bildschärfe einzustellen.

Ist die Kamera so montiert, dass sich die Bildqualität nicht prüfen lässt, während sich das Objektiv einstellen lässt, können Sie stattdessen den Fokus-Assistenten verwenden. Siehe *Einstellen der Bildschärfe mit dem Fokus-Assistenten auf Seite 77*.

1. Rufen Sie die Startseite des Produkts auf und gehen Sie zu **Setup > Basic Setup (Grundeinstellungen) > Focus (Fokus)**.
2. Klicken Sie unter der Registerkarte **Basic (Standard)** auf **Open iris (Blende öffnen)**. Ist diese Schaltfläche deaktiviert, ist die Blende bereits vollständig geöffnet.
3. Wenn die Bildschärfe bereits eingestellt wurde, klicken Sie auf **Reset (Zurücksetzen)**, um das Aufmaß zurückzusetzen.
4. Lösen Sie den Zoomregler und die Feststellschraube für den Fokusring am Objektiv, indem Sie sie gegen den Uhrzeigersinn drehen. Siehe *Übersicht über die Hardware auf Seite 60*.
5. Bewegen Sie den Zoomregler und den Fokusring und stellen Sie Zoomstärke und Bildschärfe ein. Prüfen Sie die Bildqualität im Bildfenster.
6. Ziehen Sie den Zoomregler und die Feststellschraube für den Fokusring wieder fest.
7. Klicken Sie auf der Fokus-Seite auf **Fine-tune focus automatically (Automatische Feinabstimmung der Bildschärfe)** und warten Sie, bis die automatische Feinabstimmung abgeschlossen ist.
8. Klicken Sie auf **Enable iris (Blende aktivieren)**. Ist diese Schaltfläche deaktiviert, ist die Blende bereits aktiviert.

9. Auf der Registerkarte **Advanced (Erweitert)** können Sie bei Bedarf weitere Einstellungen vornehmen. Weitere Informationen finden Sie in der Online-Hilfe.

Einstellen der Bildschärfe mit dem Fokus-Assistenten

Beachten

- Während der Fokussierung der Kamera muss das Sichtfeld der Kamera unverändert bleiben. Falls Sie die Kamera bewegen oder wenn ein Finger oder ein Gegenstand vor dem Objektiv platziert wird, müssen Sie die Schritte wiederholen.
 - Wenn Bewegungen vor der Kamera nicht vermieden werden können, sollten Sie den Fokus-Assistenten nicht verwenden.
 - Wenn Sie die Steuertaste nicht innerhalb von zwei Sekunden loslassen, wird anstelle des Fokus-Assistenten der AXIS Dynamic DNS Service aktiviert.
 - Wenn die Kamera so montiert ist, dass die Betätigung der Steuertaste nicht möglich ist, können Sie den Fokus-Assistenten trotzdem verwenden. Befolgen Sie die Anweisungen. Aktivieren die den Fokus-Assistent vor der Montage der Kamera.
1. Rufen Sie die Startseite des Produkts auf und gehen Sie zu **Setup > Basic Setup > Focus (Setup > Grundeinstellungen > Fokus)**.
 2. Klicken Sie unter der Registerkarte **Basic (Standard)** auf **Open iris (Blende öffnen)**. Ist diese Schaltfläche deaktiviert, ist die Blende bereits vollständig geöffnet.
 3. Wenn die Bildschärfe bereits eingestellt wurde, klicken Sie auf **Reset (Zurücksetzen)**, um das Auflagemaß zurückzusetzen.
 4. Fixieren oder platzieren Sie die Kamera so, dass sie nicht bewegt werden kann.
 5. Lösen Sie den Zoomregler, indem Sie ihn entgegen dem Uhrzeigersinn drehen. Bewegen Sie den Regler und stellen Sie die Zoomstärke ein. Drehen Sie den Zoomregler wieder fest.
 6. Stellen Sie die Kamera auf die weiteste Fernfokus-Position ein, indem Sie die Feststellschraube für den Fokusring lösen und den Fokusring vollständig im Uhrzeigersinn drehen.
 7. Drücken Sie die Steuertaste und lassen Sie sie schnell wieder los. Wenn die Statusanzeige blinkt, ist der Fokus-Assistent aktiviert.
 8. Drehen Sie den Fokusring vorsichtig gegen den Uhrzeigersinn bis zum Anschlag.
 9. Drehen Sie den Fokusring langsam im Uhrzeigersinn, bis die Statusanzeige grün blinkt.
 10. Zum Beenden des Fokus-Assistenten drücken Sie erneut die Steuertaste. Der Fokus-Assistent wird nach 15 Minuten automatisch ausgeschaltet, wenn die Steuertaste nicht betätigt wird.
 11. Ziehen Sie die Feststellschraube für den Fokusring wieder fest.
 12. Öffnen Sie die Seite „Live View“ (Live-Ansicht) im Webbrowser und überprüfen Sie die Bildqualität.

13. Klicken Sie auf der Fokus-Seite auf **Fine-tune focus automatically (Automatische Feinabstimmung der Bildschärfe)** und warten Sie, bis die automatische Feinabstimmung abgeschlossen ist.
14. Klicken Sie auf **Enable iris (Blende aktivieren)**. Ist diese Schaltfläche deaktiviert, ist die Blende bereits aktiviert.
15. Auf der Registerkarte **Advanced (Erweitert)** können Sie bei Bedarf weitere Einstellungen vornehmen. Weitere Informationen finden Sie in der Online-Hilfe.

Zurücksetzen auf Werkseinstellungen

Wichtig

Das Zurücksetzen auf die Werkseinstellungen sollte mit Vorsicht verwendet werden. Beim Zurücksetzen auf die Werkseinstellungen werden alle Einstellungen einschließlich der IP-Adresse auf die Werkseinstellungen zurückgesetzt.

Beachten

Die Software-Tools für Installation und Verwaltung sind über die Supportseiten unter www.axis.com/techsup verfügbar.

So wird das Produkt auf die Werkseinstellungen zurückgesetzt:

1. Trennen Sie das Produkt von der Stromversorgung.
2. Halten Sie die Steuertaste gedrückt und stecken Sie den Netzstecker wieder ein. Siehe *Übersicht über die Hardware auf Seite 60*.
3. Halten Sie die Steuertaste etwa 15 bis 30 Sekunden gedrückt, bis die LED-Statusanzeige gelb blinkt.
4. Lassen Sie die Steuertaste los. Der Vorgang ist abgeschlossen, wenn die LED-Statusanzeige grün leuchtet. Das Produkt wurde auf die Werkseinstellungen zurückgesetzt. Wenn kein DHCP-Server im Netzwerk verfügbar ist, lautet die Standard-IP-Adresse 192.168.0.90.
5. Verwenden Sie die Software-Tools für Installation und Verwaltung, um eine IP-Adresse zuzuweisen, ein Kennwort einzurichten und auf den Videostream zuzugreifen.
6. Justieren Sie den Fokus des Produkts neu.

Die Parameter können auch über die Weboberfläche auf die Werkseinstellungen zurückgesetzt werden. Rufen Sie **Setup > System Options > Maintenance (Setup > Systemoptionen > Wartung)** auf und klicken Sie auf **Default (Standard)**.

Weitere Informationen

Unter www.axis.com finden Sie die neueste Version dieses Dokuments.

Das Benutzerhandbuch steht unter www.axis.com zur Verfügung.

Unter www.axis.com/techsup finden Sie Firmware-Aktualisierungen für Ihre Netzwerkprodukte. Um die aktuell installierte Firmware-Version zu sehen, gehen Sie auf **Setup > About (Setup > Über)**.

Besuchen Sie das Axis-Schulungszentrum www.axis.com/academy für anregende Schulungen, Webinare, Lernprogramme und Anleitungen.

Gewährleistungsinformationen

Informationen zur Gewährleistung der Axis Produkte und andere, hierzu relevante Informationen, finden Sie unter www.axis.com/warranty/

Informazioni di sicurezza

Leggere con attenzione la guida all'installazione prima di installare il dispositivo. Conservare questo documento per usi futuri.

Livelli di pericolo

▲PERICOLO

Indica una situazione pericolosa che, se non evitata, provoca morte o lesioni gravi.

▲AVVERTENZA

Indica una situazione pericolosa che, se non evitata, può provocare la morte o lesioni gravi.

▲ATTENZIONE

Indica una situazione pericolosa che, se non evitata, può provocare lesioni medie o minori.

AWISO

Indica una situazione che, se non evitata, può danneggiare la proprietà.

Altri livelli di messaggio

Importante

Indica informazioni importanti, essenziali per il corretto funzionamento del dispositivo.

Nota

Indica informazioni utili che aiutano ad ottenere il massimo risultato dal dispositivo.

Informazioni di sicurezza

AWISO

- Il dispositivo Axis deve essere utilizzato in conformità alle leggi e alle disposizioni locali.
- Conservare il dispositivo Axis in un ambiente asciutto e ventilato.
- Evitare di esporre il dispositivo Axis a urti o pressioni eccessive.
- Non installare il dispositivo su supporti, superfici o pareti instabili.
- Utilizzare solo strumenti applicabili quando si installa il dispositivo Axis. Se si utilizza una forza eccessiva con strumenti non adatti è possibile causare danni al dispositivo.
- Non utilizzare sostanze chimiche, agenti caustici o detergenti aerosol.
- Utilizzare un panno pulito inumidito in acqua pura per la pulizia.
- Utilizzare solo accessori compatibili con le specifiche tecniche del dispositivo. Questi possono essere forniti da Axis o da terze parti.
- Utilizzare solo parti di ricambio fornite o consigliate da Axis.
- Non tentare di riparare il dispositivo da soli. Contattare l'assistenza o il rivenditore Axis per questioni relative alla manutenzione.

Trasporto

AWISO

- Durante il trasporto del dispositivo Axis, utilizzare l'imballaggio originale o equivalente per evitare danni al dispositivo.

Batteria

Il dispositivo Axis utilizza una batteria al litio da 3,0 V CR2032 come alimentazione per il suo real-time clock (RTC) interno. In condizioni normali questa batteria avrà una durata minima di cinque anni.

Una bassa carica della batteria influisce sul funzionamento del RTC, facendolo resettare a ogni accensione. Quando la batteria deve essere sostituita, un messaggio di registro viene visualizzato nel report server del dispositivo. Per ulteriori informazioni sul report server, vedere le pagine di configurazione del dispositivo o contattare l'assistenza Axis.

La batteria non deve essere sostituita se non richiesto, ma nel caso in cui questo fosse necessario, contattare il supporto Axis all'indirizzo www.axis.com/techsup per assistenza.

Batteria a bottone al litio 3,0 V contengono 1,2-dimetossietano; etere dimetilico di glicole etilenico (EGDME), CAS n. 110-71-4.

⚠AVVERTENZA

- Rischio di esplosione se la batteria viene sostituita in modo errato.
- Sostituire solo con una batteria identica o una batteria consigliata da Axis.
- Smaltire le batterie usate in base alle normative locali o alle istruzioni del produttore della batteria.

Guida all'installazione

La presente guida all'installazione fornisce le istruzioni necessarie per installare la telecamera di rete AXIS P1364-E/P1365-E nella rete in uso. Per ulteriori informazioni sull'utilizzo del prodotto, consultare la Guida per l'utente disponibile all'indirizzo www.axis.com.

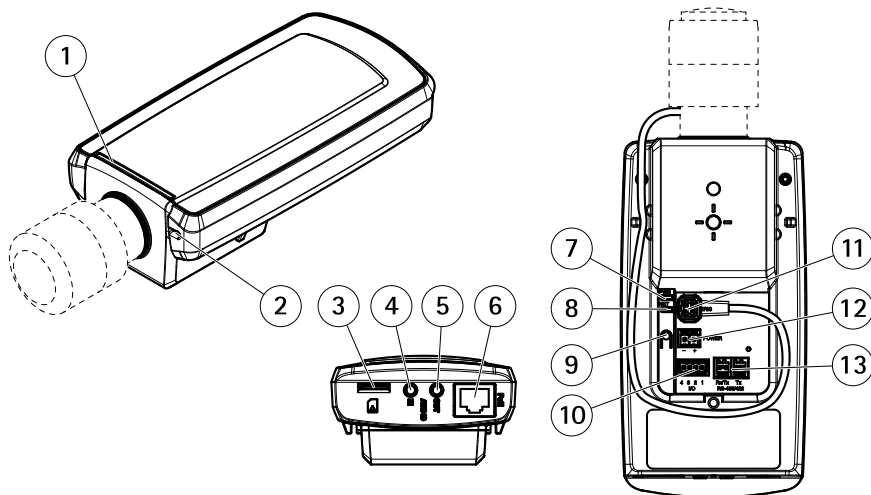
Procedura di installazione

1. Assicurarsi che il contenuto della confezione, gli strumenti e altri materiali necessari per l'installazione siano in ordine. Consultare *pagina 85*.
2. Studiare la descrizione dell'hardware. Consultare *pagina 86*.
3. Studiare le specifiche. Consultare *pagina 92*.
4. Installare l'hardware. Consultare *pagina 96*.
5. Accedere al dispositivo. Consultare *pagina 102*.
6. Impostare la messa a fuoco. Consultare *pagina 102*.

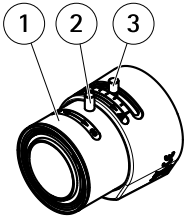
Contenuto della confezione

- Telecamera di rete
 - AXIS P1364-E
 - AXIS P1365-E
- Kit di connettori
- AXIS T94Q01A Supporto a parete e canalina interna per cavi
- Punta da cacciavite T30
- Protezione del connettore AXIS A
- Cavo di rete per la connessione della telecamera all'alloggiamento
- Guarnizioni per cavi AXIS M20
- Sacchetto dell'essiccante
- Materiale cartaceo
 - Guida all'installazione (questo documento)
 - Etichetta aggiuntiva con numero di serie (2)
 - Chiave di autenticazione AVHS

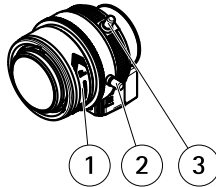
Panoramica dell'hardware



- 1 LED di stato
- 2 Microfono incorporato
- 3 Slot per scheda microSD
- 4 Ingresso audio
- 5 Uscita audio
- 6 Connettore di rete (PoE)
- 7 LED di alimentazione
- 8 LED di rete
- 9 Pulsante di comando
- 10 Connettore I/O
- 11 Connettore del diaframma
- 12 Non utilizzato
- 13 Connettore RS485/422

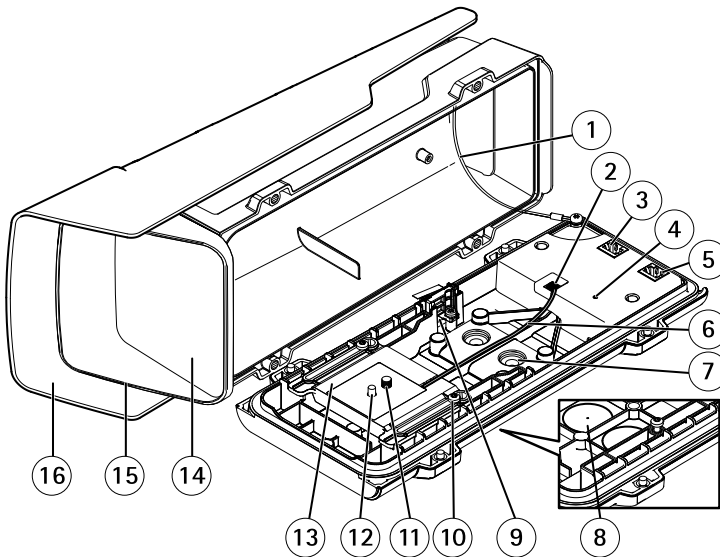


AXIS P1364-E



AXIS P1365-E

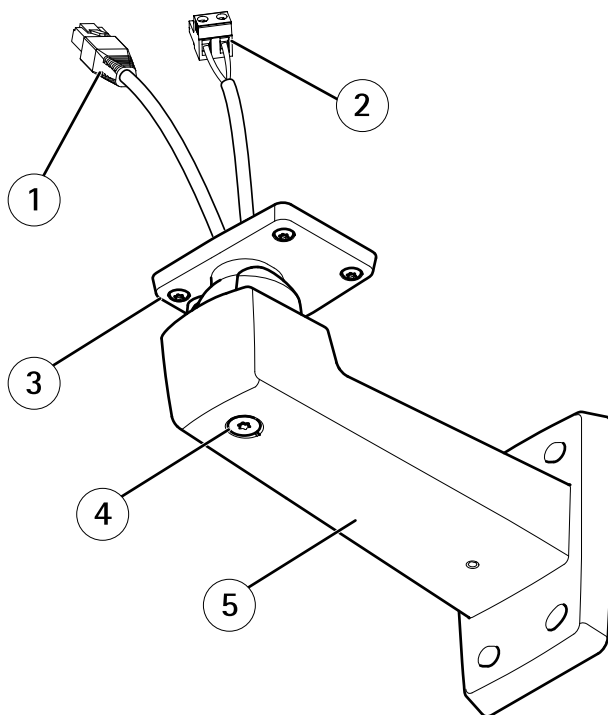
- 1 Ghiera di messa a fuoco
- 2 Vite di arresto della ghiera di messa fuoco
- 3 Levetta zoom



- 1 Cavo di sicurezza
- 2 Morsettiera del riscaldatore
- 3 Connettore di rete (PoE OUT)
- 4 Indicatore LED di stato
- 5 Connettore di rete (PoE IN)
- 6 Cavo del riscaldatore
- 7 Guarnizione cavo M20 (2x)

- 8 Preforo (2x)
- 9 Interruttore allarme anti intrusione
- 10 Vite del supporto T20 (2x)
- 11 Vite della telecamera T20
- 12 Perno
- 13 Supporto
- 14 Finestra
- 15 Coperchio superiore
- 16 Schermo di protezione dagli agenti atmosferici

Montaggio a parete



- 1 Cavo di rete (da instradare attraverso la staffa a parete)
- 2 Cavo di alimentazione (da instradare attraverso la staffa a parete) (per dispositivi dotati di connettore di alimentazione)
- 3 Vite T20 (4x)
- 4 Vite di regolazione della staffa T30
- 5 Supporto per montaggio a parete

Indicatori LED

Nota

- Lo stato del LED può essere configurato per essere spento durante il normale funzionamento. Per configurarlo, selezionare **Setup > System Options > Ports & Devices > LED (Configurazione > Opzioni di sistema > Porte & Dispositivi > LED)**. Per ulteriori informazioni, consultare l'aiuto in linea.
- Il LED di stato può essere configurato per lampeggiare quando un evento è attivo.
- Il LED di stato può essere configurato per lampeggiare per identificare l'unità. Andare su **Setup > System Options > Maintenance (Configurazione > Opzioni di sistema > Manutenzione)**.

LED di stato	Indicazione
Verde	Luce verde fissa: condizioni di normale utilizzo.
Giallo	Luce fissa durante l'avvio. Lampeggia durante il ripristino delle impostazioni.

LED di rete	Indicazione
Verde	Luce fissa per connessione di rete a 100 Mbit/s. Luce lampeggiante: attività di rete.
Giallo	Luce fissa per connessione di rete a 10 Mbit/s. Luce lampeggiante: attività di rete.
Spento	Assenza di connessione.

LED di alimentazione	Indicazione
Verde	Normale utilizzo.
Giallo	Luce lampeggiante verde/gialla: aggiornamento firmware.

Indicatori LED dell'alloggiamento

LED	Colore	Indicazione
LED di stato	Verde	Utilizzo normale
	Verde, lampeggio singolo	Errore riscaldatore
	Verde, lampeggio doppio	Verifica automatica
	Verde, lampeggio triplo	Errore generale

Comportamento del LED di stato per Focus Assistant

Il LED di stato lampeggia quando Focus Assistant è attivo.

Colore	Indicazione
Rosso	L'immagine è sfocata. Regolare l'obiettivo.
Giallo	L'immagine è vicino al fuoco. L'obiettivo deve essere regolato.
Verde	L'immagine è a fuoco.

Connettori e pulsanti

Per le specifiche e le condizioni di funzionamento, consultare *pagina 92*.

Connettore di rete

Connettore Ethernet RJ45 con Power over Ethernet (PoE+).

AVVISO

A causa di normative locali o condizioni ambientali ed elettriche in cui il dispositivo deve essere utilizzato, può essere opportuno o necessario l'utilizzo di un cavo di rete schermato (STP). Tutti i cavi di rete del dispositivo posizionati all'aperto o in ambienti elettrici in condizioni difficili andranno utilizzati per il loro uso specifico. Accertarsi che i dispositivi di rete siano installati secondo le istruzioni del produttore. Per maggiori informazioni sui requisiti normativi, consultare *Electromagnetic Compatibility (EMC) 2*.

Connettore I/O

Utilizzare con dispositivi esterni in combinazione con, ad esempio, allarmi antimanomissione, rilevazione del movimento, attivazione di eventi, registrazione temporizzata e notifiche di allarme. Oltre al punto di riferimento 0 V CC e all'alimentazione (uscita CC), il connettore I/O fornisce l'interfaccia per:

- **Uscita digitale** – Per collegare dispositivi esterni come relè o LED. Le periferiche collegate possono essere attivate tramite VAPIX® API (interfaccia per la programmazione di applicazioni), tramite i pulsanti di comando della pagina Live View (Immagini dal vivo) oppure tramite l'opzione Action Rule (regola di azione). L'uscita verrà visualizzata come attiva (visualizzata in **Opzioni di Sistema > Porte e Dispositivi**) se il dispositivo di allarme è attivato.
- **Ingresso digitale** – Ingresso allarme utilizzabile per collegare le periferiche, che può passare dal circuito chiuso al circuito aperto, ad esempio: Sensori di movimento (PIR), contatti porta/finestra, rilevatori di rottura vetri e così via. Dopo la ricezione del segnale lo stato cambia e l'ingresso diventa attivo (visualizzato in **System Options > Ports & Devices (Opzioni di Sistema > Porte e Dispositivi)**).

Connettore audio

Il prodotto Axis dispone dei seguenti connettori audio:

- **Ingresso audio (rosa)** – Ingresso audio da 3,5 mm per microfono in mono o segnale mono line-in.
- **Uscita audio (verde)** – Uscita audio da 3,5 mm (livello di linea) che può essere connessa a un sistema di indirizzo pubblico (PA) o a un altoparlante con amplificatore integrato. Per l'uscita audio è necessario usare un connettore stereo.

Per l'ingresso audio, il canale sinistro viene utilizzato da un segnale stereo.

Connettore RS485/RS422

Due morsettiere per l'interfaccia seriale RS485/RS422 utilizzate per il controllo di periferiche ausiliarie come i dispositivi di rotazione/inclinazione.

Slot per scheda SD

AVVISO

- Rischio di danni alla scheda SD. Non utilizzare strumenti appuntiti e non esercitare eccessiva forza durante l'inserimento o la rimozione della scheda SD.
- Rischio di perdita di dati. Per prevenire il danneggiamento dei dati, la scheda SD deve essere scollegata prima della rimozione. Per scollegare, andare a **Setup > System Options > Storage > SD Card (Configurazione > Opzioni di sistema > Archiviazione > Scheda SD)** e fare clic su **Unmount (Smonta)**.

AXIS P13-E Series

Questo dispositivo supporta schede microSD/microSDHC/microSDXC (scheda di memoria non inclusa).

Per i consigli sulla scheda SD, visitare il sito Web www.axis.com.

Pulsante di comando

Per l'ubicazione del pulsante di comando, vedere *Panoramica dell'hardware alla pagina 86*.

Il pulsante di comando viene utilizzato per:

- Abilitare la messa a fuoco assistita. Premere e rilasciare molto rapidamente il pulsante di comando.
- Ripristino del dispositivo alle impostazioni predefinite di fabbrica. Consultare *pagina 104*.
- Collegamento a un servizio AXIS Video Hosting System o AXIS Internet Dynamic DNS Service. Per ulteriori informazioni su questi servizi, consultare il Manuale Utente.

Dati tecnici

Condizioni di funzionamento

Il dispositivo Axis è destinato all'uso esterno.

Dispositivo	Temperatura	Umidità
AXIS P1364-E	Da -40 °C a 50 °C	10 - 100% (umidità relativa con condensa)
AXIS P1365-E	Da -40 °C a 50 °C	10 - 100% (umidità relativa con condensa)

Importante

Con una temperatura ambiente inferiore a 0 °C, l'avvio potrebbe richiedere fino a 60 minuti. La temperatura è inversamente proporzionale alla durata dell'avvio (clima più freddo, avvio più lungo).

Consumo energetico

AVISO

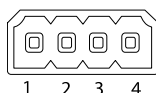
Utilizzare una sorgente di alimentazione limitata (LPS) sia con una potenza di uscita nominale limitata a ≤ 100 W o una corrente nominale di uscita limitata a ≤ 5 A.

Dispositivo	PoE
AXIS P1364-E	Power over Ethernet (PoE) IEEE 802.3af/802.3at Tipo 1 Classe 3, max 12,95 W, tipico 5,0 W
AXIS P1365-E	Power over Ethernet (PoE) IEEE 802.3af/802.3at Tipo 1 Classe 3, max 12,95 W, tipico 5,3 W

Connettori

Connettore I/O

Morsettiera a 4 pin



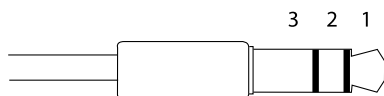
Per un esempio di schema, consultare *Schema delle connessioni alla pagina 96*.

Funzione	Pin	Note	Specifiche
0 V CC (-)	1		0 V CC
Uscita CC	2	Può essere utilizzato anche per alimentare una periferica ausiliaria. Nota: questo pin può essere usato solo come uscita alimentazione.	12 V CC Carico massimo = 50 mA
Configurabile (ingresso o uscita)	3-4	Ingresso digitale - collegare al pin 1 per attivarlo oppure lasciarlo isolato (scollegato) per disattivarlo.	da 0 a max 30 V CC
		Uscita digitale - Collegare al pin 1 quando attiva, isolata (scollegata) quando inattiva. Se utilizzata con un carico induttivo, ad esempio un relè esterno, è necessario collegare un diodo in parallelo al carico per proteggere il dispositivo da sovratensioni.	Da 0 a max 30 V CC, open-drain, 100 mA

AXIS P13-E Series

Connettore audio

Connettori audio da 3,5 mm (stereo)

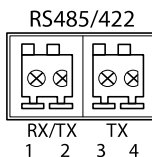


	1 Punta	2 Anello	3 Guaina
Ingresso audio	Ingresso microfono/linea		Terra
Uscita audio	Uscita linea (mono)		Terra

Connettore RS485/422

Due morsettiere a 2 pin per interfaccia seriale RS485/RS422. La porta seriale può essere configurata per supportare:

- RS485 a due fili, half-duplex
- RS485 a quattro fili, full-duplex
- RS422 a due fili, simplex
- Comunicazione full-duplex punto a punto con RS422 a quattro fili



Funzione	Pin	Note
RS485B alt RS485/422 RX(B)	1	Coppia RX per tutte le modalità (RX/TX combinata per RS485 con due cavi)
RS485A alt RS485/422 RX(A)	2	
RS485/RS422 TX(B)	3	Coppia TX per RS422 e RS485 con quattro cavi
RS485/RS422 TX(A)	4	

Importante

La lunghezza massima del cavo consigliata è di 30 m (98,4 ft).

Area dei cavi

AWISO

- Utilizzare cavi di lunghezza adeguata all'area specificata.
- Selezionare i cavi nel rispetto delle normative locali.
- Verificare che i fori dei cavi siano correttamente sigillati.
- Usare guarnizioni per cavi o pressacavi corrispondenti al foro e all'area dei cavi.

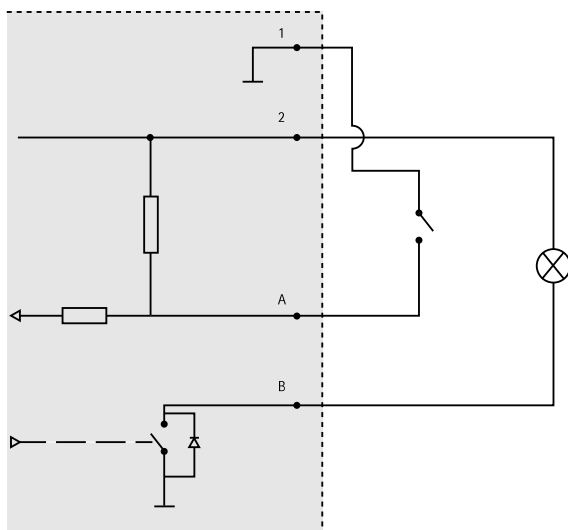
Diametro	AWG
Da 5 a 15 mm (da 0,197 a 0,591 pollici)	Approssimativamente da 4 a 6/0

Per creare ulteriori fori per i cavi, aprire i prefori collocati nella parte inferiore della custodia. Consultare *Panoramica dell'hardware alla pagina 86*.

Per informazioni sugli accessori disponibili, come ad esempio guarnizioni per cavi e pressacavi adatti per altre aree dei cavi, visitare il sito Web www.axis.com.

Schema delle connessioni

Connettore I/O



- 1 0 VCC (-)
- 2 Uscita CC 12 V, max 50 mA
- A I/O configurato come ingresso
- B I/O configurato come uscita

Installazione dell'hardware

AVVISO

- A causa delle normative locali o condizioni ambientali ed elettriche, è consigliabile utilizzare un cavo di rete schermato (STP). Tutti i cavi di rete del dispositivo posizionati all'aperto o in ambienti elettrici in condizioni difficili sono destinati al loro uso specifico. Accertarsi che i dispositivi di rete siano installati secondo le istruzioni del produttore.
Per maggiori informazioni sui requisiti normativi, consultare *Regulatory Information 2*
- Non graffiare, danneggiare o lasciare impronte digitali sulla finestra per preservare la qualità dell'immagine.

È possibile installare il dispositivo Axis instradando i cavi attraverso o lungo la parete.

Leggere tutte le istruzioni prima di installare il prodotto:

1. Installazione del supporto per il montaggio a parete. Consultare *Installazione del supporto per il montaggio a parete alla pagina 97*. Per istruzioni dettagliate, consultare la guida all'installazione del supporto di montaggio a parete presente nella confezione o visitare l'indirizzo www.axis.com
2. Montare l'alloggiamento al supporto a parete. Consultare *Montare l'alloggiamento al supporto a parete alla pagina 97*.
3. Collegare la telecamera. Consultare *Collegare la telecamera alla pagina 100*.

Installazione del supporto per il montaggio a parete

⚠ATTENZIONE

Verificare che le viti e i tasselli siano adatti al materiale della parete (es. legno, metallo, cartongesso, pietra) e che il materiale sia in grado di sostenere telecamera, alloggiamento e supporto per il montaggio a parete.

1. Preparare la parete per l'installazione del supporto. Utilizzare il supporto per il montaggio a parete come profilo e contrassegnare i punti da trapanare.
2. Far passare il cavo di rete attraverso la staffa a parete. Lasciare circa 30 cm (11,8 pollici) di cavo per il collegamento alla telecamera.
3. In caso di connessione di un dispositivo (es. di I/O, audio o alimentazione esterna) alla telecamera, ripetere il passaggio precedente (se consentito per il dispositivo in questione).
4. Fissare la staffa alla parete serrando le viti.

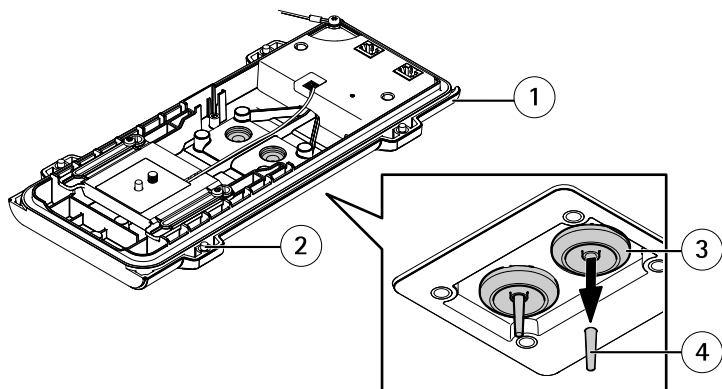
Nota

- Per istruzioni dettagliate, consultare la guida all'installazione del supporto di montaggio a parete presente nella confezione e disponibile all'indirizzo www.axis.com

Montare l'alloggiamento al supporto a parete

AWISO

- Utilizzare cavi di lunghezza adeguata all'area cavi specificata, vedere *pagina 95*. L'utilizzo di una guarnizione per cavi diversa da quella in dotazione può causare infiltrazioni d'acqua e danni al prodotto. Per informazioni sulle guarnizioni per cavi e i pressacavi adatti per altre aree dei cavi, visitare il sito Web www.axis.com.
 - Utilizzando più di un cavo, instradare ciascun cavo attraverso una guarnizione separata.
 - Aprire un foro solo nelle guarnizioni utilizzate e sostituirle in caso di danno. Una guarnizione per cavi aperta o danneggiata potrebbe causare infiltrazioni d'acqua nel prodotto e gravi danni.
1. Allentare le viti del coperchio inferiore e sollevare il coperchio superiore.
 2. Scegliere la guarnizione per cavi da usare e tirare la linguetta per aprire il foro per il cavo di rete.

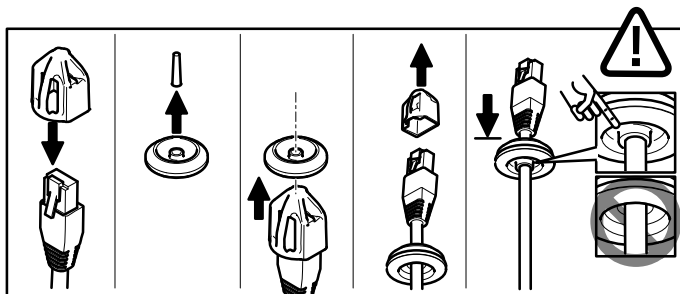


- 1 Coperchio inferiore
- 2 Vite del coperchio inferiore T20 (4x)
- 3 Guarnizione cavo M20 (2x)
- 4 Linguetta

3. Inserire il cavo di rete attraverso la guarnizione per cavi.

AVVISO

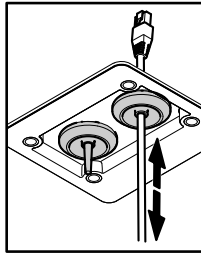
Se il cavo di rete dispone di un connettore preinstallato, rimuovere la guarnizione per cavi e usare la protezione del connettore per evitare danni alla guarnizione. Non usare cavi di rete dotati di connettori di rete con tappi, poiché potrebbero danneggiare la guarnizione del cavo nonostante la protezione del connettore.



4. Tirare delicatamente il cavo di rete in modo da adattare la guarnizione al cavo.

AVVISO

Se il cavo non viene tirato potrebbero verificarsi infiltrazioni d'acqua e danni al prodotto.

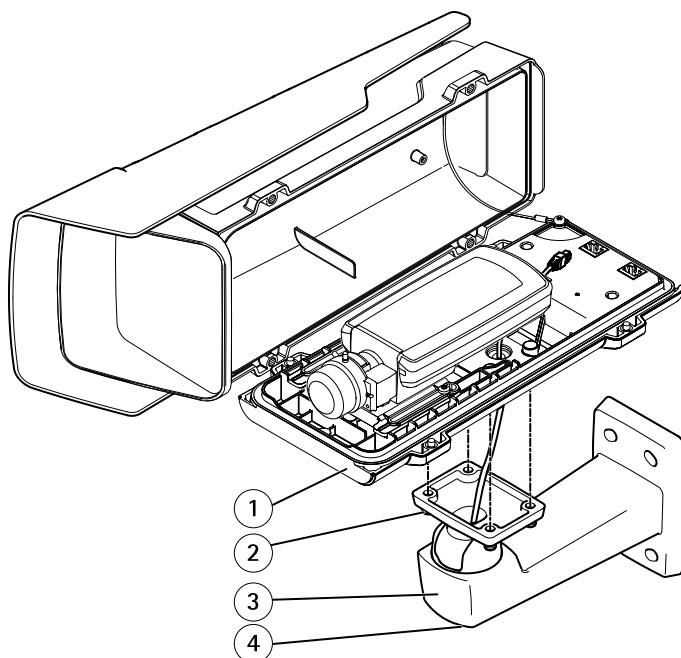


5. Verificare il corretto montaggio della guarnizione del cavo.
6. In caso di connessione di un dispositivo (es. di I/O, audio o alimentazione esterna) alla telecamera, ripetere i passaggi precedenti (se consentito per il dispositivo in questione).

AWISO

Montare i connettori dopo aver spinto i cavi attraverso la guarnizione del cavo.

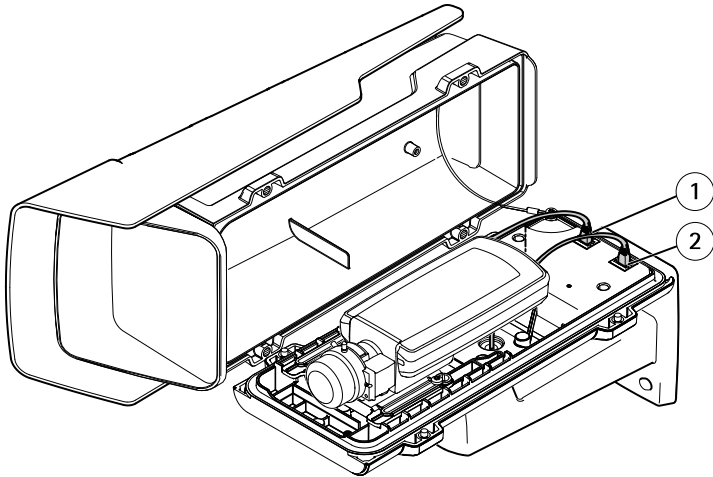
7. Inserire il coperchio superiore sul supporto a parete e serrare le viti (con una coppia di 2 Nm).



- 1 Coperchio inferiore
- 2 Vite T20 (4x)
- 3 Staffa a parete
- 4 Vite di regolazione della staffa T30

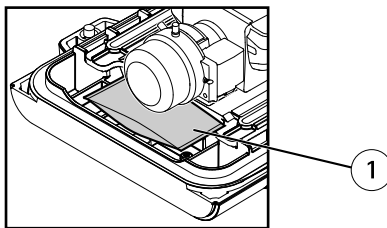
Collegare la telecamera

1. Se necessario, collegare alla telecamera dispositivi esterni/di input o dispositivi audio.
2. Collegare il cavo del riscaldatore al connettore del coperchio inferiore.
3. Se si utilizza una scheda SD per l'archiviazione locale, inserirla nell'apposito slot della telecamera.
4. Collegare l'alloggiamento alla rete (PoE IN) e la telecamera all'alloggiamento (PoE OUT).



- 1 Connettore di rete (PoE OUT)
- 2 Connettore di rete (PoE IN)

5. Verificare che i LED della telecamera e dell'alloggiamento indichino la corretta condizione. Consultare *Indicatori LED alla pagina 89*.
6. Allentare la vite di regolazione della staffa per orientare la telecamera verso il punto desiderato. Per informazioni sulla visualizzazione del flusso video, vedere *Accedere al dispositivo alla pagina 102*
7. Rimuovere la busta di plastica del sacchetto dell'essiccante e collocarlo sotto l'obiettivo.



- 1 Sacchetto dell'essiccante

8. Chiudere l'alloggiamento. Girare le viti del coperchio inferiore in maniera alternata fino a quando non saranno tutte serrate (torsione di 1,5 Nm). In questo modo è possibile comprimere la guarnizione del coperchio inferiore in modo uniforme.

AWISO

Verificare che i cavi non restino incastrati durante la chiusura della custodia.

9. Se necessario, allentare le viti dello schermo di protezione dagli agenti atmosferici, regolarne la posizione e serrare le viti.

Accedere al dispositivo

AXIS IP Utility e AXIS Camera Management sono i metodi consigliati per trovare i dispositivi Axis in rete e assegnare loro un indirizzo IP in Windows®. Queste applicazioni sono entrambe gratuite e possono essere scaricate da www.axis.com/techsup

Il dispositivo può essere utilizzato con la maggior parte dei sistemi operativi e dei browser. I browser consigliati sono

- Internet Explorer® con Windows®
- Safari® con OS X®
- Chrome™ o Firefox® con altri sistemi operativi.

Per ulteriori informazioni sull'utilizzo del dispositivo, consultare la Guida per l'utente disponibile sul sito Web www.axis.com

Regolazione della messa a fuoco

Per impostare la messa a fuoco e lo zoom, attenersi alla procedura indicata di seguito.

Se la telecamera è montata in una posizione che non consente di controllare l'immagine e accedere all'obiettivo contemporaneamente, usare il Focus Assistant (vedere *Regolazione della messa a fuoco con Focus Assistant alla pagina 103*).

1. Aprire la pagina iniziale del prodotto e selezionare **Setup (Impostazioni) > Basic Setup (Impostazioni di base) > Focus (Messa a fuoco)**.
2. Nella scheda **Basic (Base)**, fare clic su **Open iris (Aprire diaframma)**. Se il pulsante è inattivo, il diaframma è già aperto.
3. Se la messa a fuoco è già stata impostata, fare clic su **Reset (Reimposta)** per reimpostare la messa a fuoco.
4. Allentare la levetta dello zoom e la vite di arresto della ghiera di messa fuoco sull'obiettivo ruotandole in senso antiorario. Consultare *Panoramica dell'hardware alla pagina 86*.
5. Spostare la levetta dello zoom e la ghiera di messa a fuoco per impostare lo zoom e la messa a fuoco, quindi controllare la qualità dell'immagine nella finestra corrispondente.
6. Riavvitare la levetta dello zoom e la vite di arresto della ghiera di messa fuoco.
7. Nella pagina della messa a fuoco, fare clic su **Fine-tune focus automatically (Messa a fuoco regolazione fine automatica)** e aspettare fino a quando la regolazione fine automatica non viene completata.
8. Fare clic su **Enable iris (Abilita diaframma)**. Se il pulsante è inattivo, il diaframma è già abilitato.

9. Se necessario, apportare ulteriori regolazioni nella scheda **Advanced (Avanzate)**. Per ulteriori informazioni, consultare l'aiuto in linea.

Regolazione della messa a fuoco con Focus Assistant

Nota

- Verificare che la scena davanti alla telecamera non cambi durante la regolazione della messa a fuoco. Se si sposta la telecamera o si colloca un dito o un altro oggetto davanti all'obiettivo, sarà necessario ripetere la procedura.
 - Se non è possibile evitare movimenti davanti alla telecamera, non utilizzare Focus Assistant.
 - Se non si rilascia il pulsante di comando entro due secondi, viene abilitata la funzione AXIS Dynamic DNS Service (Servizio DNS dinamico) anziché Focus Assistant.
 - È possibile utilizzare Focus Assistant anche se la posizione di installazione della telecamera non consente l'accesso al tasto di comando. Attenersi alle istruzioni ma abilitare Focus Assistant prima di montare la telecamera.
1. Aprire la pagina iniziale del prodotto e selezionare **Setup (Impostazioni) > Basic Setup (Impostazioni di base) > Focus (Messa a fuoco)**.
 2. Nella scheda **Basic (Base)**, fare clic su **Open iris (Aprire diaframma)**. Se il pulsante è inattivo, il diaframma è già aperto.
 3. Se la messa a fuoco è già stata impostata, fare clic su **Reset (Reimposta)** per reimpostare la messa a fuoco.
 4. Installare o collocare la telecamera in un luogo da cui non possa essere spostata.
 5. Allentare la levetta di regolazione dello zoom ruotandola in senso antiorario. Spostare la levetta per impostare il livello di zoom. Riavvitare la levetta dello zoom.
 6. Impostare la telecamera nella posizione corrispondente alla massima distanza di messa a fuoco allentando la vite di arresto della ghiera di messa a fuoco e ruotando la ghiera di messa a fuoco in senso orario fino in fondo.
 7. Premere e rilasciare velocemente il pulsante di comando. Se l'indicatore di stato inizia a lampeggiare, significa che Focus Assistant è abilitato.
 8. Ruotare delicatamente la ghiera di messa fuoco in senso antiorario fino all'arresto.
 9. Ruotare la ghiera di messa a fuoco lentamente in senso orario fino a quando l'indicatore di stato lampeggia in verde.
 10. Per uscire da Focus Assistant, premere nuovamente il tasto di comando. Se non è possibile accedere al tasto di comando, Focus Assistant si disattiva automaticamente dopo 15 minuti.
 11. Evitare nuovamente la vite di arresto della ghiera di messa fuoco.
 12. Aprire la pagina Live View (Vista dal Vivo) nel browser e controllare la qualità dell'immagine.

13. Nella pagina della messa a fuoco, fare clic su **Fine-tune focus automatically (Messa a fuoco regolazione fine automatica)** e aspettare fino a quando la regolazione fine automatica non viene completata.
14. Fare clic su **Enable iris (Abilita diaframma)**. Se il pulsante è inattivo, il diaframma è già abilitato.
15. Se necessario, apportare ulteriori regolazioni nella scheda **Advanced (Avanzate)**. Per ulteriori informazioni, consultare l'aiuto in linea.

Ripristino dei valori predefiniti di fabbrica

Importante

Il ripristino delle impostazioni di fabbrica deve essere usato con cautela. Un ripristino delle impostazioni di fabbrica consentirà di ripristinare le impostazioni di fabbrica per tutti i parametri, incluso l'indirizzo IP.

Nota

Gli strumenti per l'installazione e la gestione del software sono disponibili nelle pagine dedicate all'assistenza sul sito Web www.axis.com/techsup.

Per ripristinare il dispositivo alle impostazioni predefinite di fabbrica:

1. Scollegare l'alimentazione dal dispositivo.
2. Tenere premuto il pulsante di controllo e ricollegare l'alimentazione. Consultare *Panoramica dell'hardware alla pagina 86*.
3. Tenere premuto il pulsante di controllo per 15-30 secondi fino a quando l'indicatore LED di stato lampeggerà in giallo.
4. Rilasciare il pulsante di comando. Il processo è completo quando il LED di stato diventerà verde. Il dispositivo è stato reimpostato alle impostazioni di fabbrica predefinite. Se nessun server DHCP è disponibile in rete, l'indirizzo IP predefinito è 192.168.0.90.
5. Mediante gli strumenti per l'installazione e la gestione del software, assegnare un indirizzo IP, impostare la password e accedere al flusso video.
6. Ripetere la messa a fuoco del dispositivo.

È anche possibile reimpostare i parametri alle impostazioni predefinite di fabbrica mediante l'interfaccia Web. Andare a **Setup > System Options > Maintenance (Configurazione > Opzioni di sistema > Manutenzione)** e fare clic su **Default (Predefinito)**.

Ulteriori Informazioni

Per la versione più recente di questo documento, visitare il sito all'indirizzo www.axis.com

Il Manuale per l'utente è disponibile all'indirizzo www.axis.com

Visitare il sito all'indirizzo www.axis.com/techsup per verificare se sono stati pubblicati aggiornamenti del firmware per il proprio dispositivo di rete. Per conoscere la versione del firmware installata, andare su **Setup > About (Impostazioni > Informazioni su)**.

Visitare il centro di apprendimento Axis alla pagina www.axis.com/academy per servizi di formazione utili, webinar, tutorial e guide.

Informazioni sulla garanzia

Per informazioni sulla garanzia del dispositivo Axis e informazioni ad esso relative, consultare la pagina www.axis.com/warranty/

Información de seguridad

Lea esta Guía de instalación con atención antes de instalar el producto. Guarde la Guía de instalación para poder consultarla en otro momento.

Niveles de peligro

▲PELIGRO

Indica una situación peligrosa que, si no se evita, provocará lesiones graves o la muerte.

▲ADVERTENCIA

Indica una situación peligrosa que, si no se evita, puede provocar lesiones graves o la muerte.

▲ATENCIÓN

Indica una situación peligrosa que, si no se evita, puede provocar lesiones moderadas o leves.

AVISO

Indica una situación peligrosa que, si no se evita, puede provocar daños materiales.

Otros niveles de mensaje

Importante

Indica información importante que es fundamental para que el producto funcione correctamente.

Nota

Indica información útil que ayuda a aprovechar el producto al máximo.

Instrucciones de seguridad

AVISO

- El producto de Axis debe utilizarse de acuerdo con las leyes y normativas locales.
- Almacene el producto de Axis en un entorno seco y ventilado.
- Evite la exposición del producto de Axis a choques o a una fuerte presión.
- No instale el producto en soportes, superficies o paredes inestables.
- Utilice solo las herramientas correspondientes cuando instale el producto de Axis. La aplicación de una fuerza excesiva con herramientas eléctricas puede provocar daños en el producto.
- No utilice limpiadores en aerosol, agentes cáusticos ni productos químicos.
- Limpie con un paño limpio humedecido con agua pura.
- Utilice solo accesorios que cumplan con las especificaciones técnicas del producto. Estos accesorios los puede proporcionar Axis o un tercero.
- Utilice solo piezas de repuesto proporcionadas o recomendadas por Axis.
- No intente reparar el producto usted mismo. Póngase en contacto con el servicio de asistencia técnica de Axis o con su distribuidor de Axis para tratar asuntos de reparación.

Transporte

AVISO

- Cuando transporte el producto de Axis, utilice el embalaje original o un equivalente para evitar daños en el producto.

Batería

Este producto de Axis utiliza una batería de litio CR2032 de 3,0 V como fuente de alimentación del reloj interno en tiempo real. En condiciones normales, esta batería durará un mínimo de cinco años.

Un nivel bajo de batería afectará al funcionamiento del reloj en tiempo real, lo que provocará el restablecimiento de este cada vez que se encienda el producto. Cuando sea necesario sustituir la batería, aparecerá un mensaje de registro en el informe del servidor del producto. Para obtener más información sobre el informe del servidor, consulte las páginas de configuración del producto o póngase en contacto con el servicio de asistencia técnica de Axis.

La batería no debe sustituirse a menos que sea necesario; no obstante, si precisa hacerlo, póngase en contacto con el servicio de asistencia técnica de Axis en www.axis.com/techsup para solicitar ayuda.

Las pilas tipo célula de litio de 3,0 V contienen 1,2-dimetoxietano; éter dimetilico de etilenglicol (EGDME), n.º CAS 110-71-4.

⚠ADVERTENCIA

- La sustitución incorrecta de la batería implica riesgo de explosión.
- Sustituya la batería por una batería idéntica u otra batería recomendada por Axis.
- Deseche las baterías usadas de conformidad con la normativa local o las instrucciones del fabricante.

Guía de instalación

Esta guía de instalación incluye las instrucciones necesarias para instalar las cámaras de red AXIS P1364-E/P1365-E en su red. Para conocer otros aspectos de uso del producto, vea el manual del usuario disponible en www.axis.com.

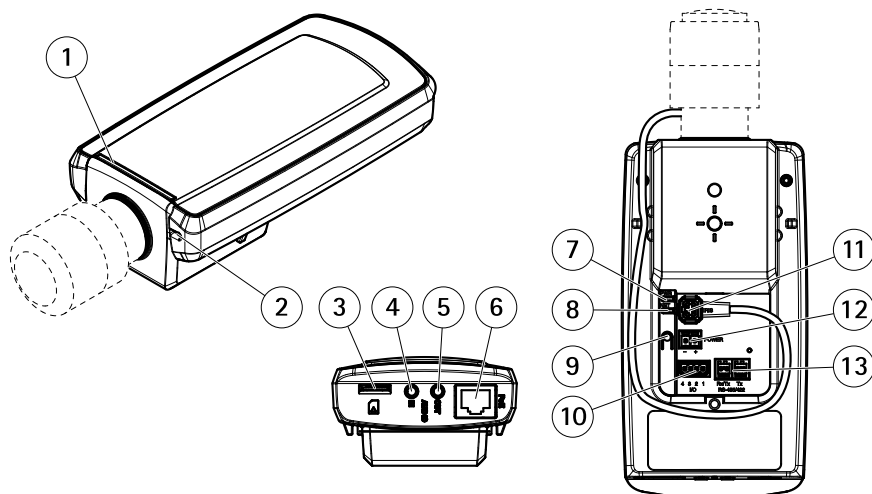
Pasos de la instalación

1. Asegúrese de que dispone del contenido del paquete, las herramientas y los demás materiales necesarios para la instalación. *Vea página 111.*
2. Estudie la información general del hardware. *Vea página 112.*
3. Estudie las especificaciones. *Vea página 118.*
4. Instale el hardware. *Vea página 122.*
5. Acceda al producto. *Vea página 128.*
6. Establezca el enfoque. *Vea página 128.*

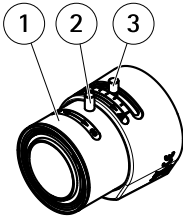
Contenido del paquete

- Cámara de red
 - AXIS P1364-E
 - AXIS P1365-E
- Kit de conexión
- Montaje en pared AXIS T94Q01A con canal para cable interno
- Punta de tornillo T30
- Protector del conector A de AXIS
- Cable de red para conectar la cámara a la carcasa
- Juntas de cable AXIS M20
- Bolsa desecante
- Materiales impresos
 - Guía de instalación (este documento)
 - Etiqueta adicional con el número de serie (2)
 - Clave de autenticación AVHS

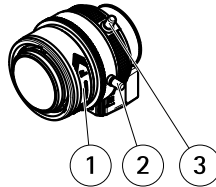
Información general del hardware



- 1 *LED de estado*
- 2 *Micrófono integrado*
- 3 *Ranura para tarjetas microSD*
- 4 *Entrada de audio*
- 5 *Salida de audio*
- 6 *Conector de red (PoE)*
- 7 *LED de alimentación*
- 8 *LED de red*
- 9 *Botón de control*
- 10 *Conector de E/S*
- 11 *Conector de iris*
- 12 *No se utiliza*
- 13 *Conector RS485/422*

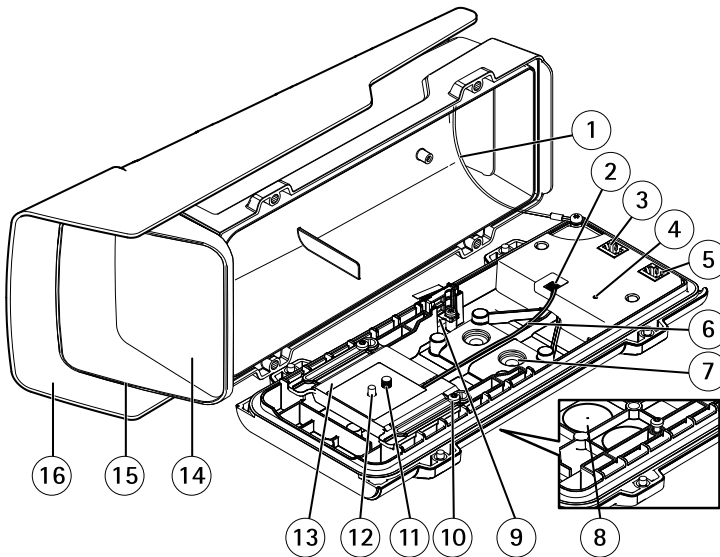


AXIS P1364-E



AXIS P1365-E

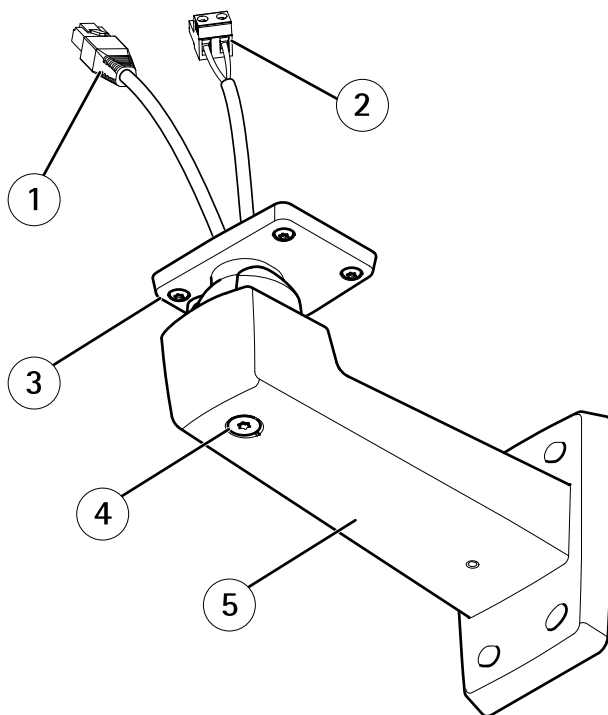
- 1 Anillo de enfoque
- 2 Tornillo de bloqueo del anillo de enfoque
- 3 Palanca de zoom



- 1 Cable de seguridad
- 2 Conector del calefactor
- 3 Conector de red (PoE OUT)
- 4 Indicador LED de estado
- 5 Conector de red (PoE IN)
- 6 Cable del calefactor
- 7 Junta de cable M20 (2)

- 8 Orificio preperforado (2)
- 9 Interruptor de alarma contra intrusiones
- 10 Tornillos del soporte T20 (2)
- 11 Tornillo de la cámara T20
- 12 Pin
- 13 Soporte
- 14 Ventana
- 15 Cubierta superior
- 16 Parasol

Montaje en pared



- 1 Cable de red (guiado a través de la escuadra de pared)
- 2 Cable de alimentación (guiado a través de la escuadra de pared) (para todos los productos equipados con conector de alimentación)
- 3 Tornillos T20 (4)
- 4 Tornillo de ajuste de escuadra T30
- 5 Montaje en pared

Indicadores LED

Nota

- Se puede configurar el LED de estado para que se apague durante el funcionamiento normal. Para ello, vaya a **Setup > System Options > Ports & Devices > LED** (Configuración > Opciones del sistema > Puertos y dispositivos > LED). Vea la ayuda en línea para obtener más información.
- Se puede configurar el LED Estado para que parpadee mientras haya un evento activo.
- Se puede configurar el LED de estado para que parpadee e identifique la unidad. Vaya a **Setup > System Options > Maintenance** (Configuración > Opciones del sistema > Mantenimiento).

LED de estado	Indicación
Verde	Verde fijo para indicar un funcionamiento normal.
Ámbar	Fijo durante el inicio. Parpadea al restaurar valores de configuración.

LED de red	Indicación
Verde	Fijo para indicar una conexión a una red de 100 Mbits/s. Parpadea cuando hay actividad de red.
Ámbar	Fijo para indicar una conexión a una red de 10 Mbits/s. Parpadea cuando hay actividad de red.
Apagado	No hay conexión a la red.

LED de alimentación	Indicación
Verde	Funcionamiento normal.
Ámbar	Parpadea en verde/ámbar durante la actualización del firmware.

Indicadores LED de la carcasa

LED	Color	Indicación
Estado	Verde	Funcionamiento normal
	Verde, un parpadeo	Error del calefactor
	Verde, doble parpadeo	autocomprobación
	Verde, triple parpadeo	error general

Comportamiento del indicador LED de estado del Asistente de Enfoque

Cuando el LED de estado parpadea, el Asistente de Enfoque está activado.

Color	Indicación
Rojo	La imagen está desenfocada. Ajuste del objetivo.
Ámbar	La imagen está casi enfocada. Debe ajustar ligeramente el objetivo.
Verde	La imagen está enfocada.

Conectores y botones

Para conocer las especificaciones y las condiciones de funcionamiento, vea *página 118*.

Conector de red

Conector Ethernet RJ45 con alimentación a través de Ethernet (PoE).

AVISO

Debido a la normativa local o a las condiciones ambientales y eléctricas en las que se vaya a utilizar el producto, puede que sea adecuado u obligatorio el uso de un cable de red blindado (STP). Todos los cables que conectan el producto a la red y que se utilicen en exteriores o en entornos eléctricos exigentes deberán estar blindados y diseñados para su uso específico. Asegúrese de que los dispositivos de red estén instalados en conformidad con las instrucciones del fabricante. Para obtener información sobre los requisitos normativos, vea *Electromagnetic Compatibility (EMC) 2*.

Conector de E/S

Se utiliza con dispositivos externos combinados, por ejemplo, con alarmas antimanipulación, detección de movimiento, activación de eventos, grabación de intervalos de tiempo y notificaciones de alarma. Además del punto de referencia de 0 V CC y la potencia (salida de CC), el conector de E/S ofrece la interfaz para:

- **Salida digital:** para conectar dispositivos externos como relés y LED. Los dispositivos conectados se pueden activar mediante la Interfaz de programación de aplicaciones (API) VAPIX®, los botones de salida de la página Live View o mediante una regla de acción. La salida se mostrará activa (se indica en **System Options > Ports Et Devices** (Opciones del sistema > Puertos y dispositivos)) si el dispositivo de alarma está activado.
- **Entrada digital:** una entrada de alarma para conectar dispositivos que puedan alternar circuitos cerrados y abiertos, como detectores PIR, contactos de puertas y ventanas, detectores de rotura de cristales, etc. Cuando se recibe una señal, el estado cambia y la entrada se vuelve activa (se indica en **System Options > Ports Et Devices** (Opciones del sistema > Puertos y dispositivos)).

Conector de audio

El producto de Axis integra los siguientes conectores de audio:

- **Entrada de audio (rosa):** entrada de 3,5 mm para micrófono mono, o entrada de línea de señal mono.
- **Salida de audio (verde):** salida para audio (nivel de línea) de 3,5 mm que se puede conectar a un sistema de megafonía pública o a un altavoz con amplificador incorporado. Debe utilizarse un conector estéreo para la salida de audio.

En el caso de la entrada de audio, se utiliza el canal izquierdo de una señal estéreo.

Conector RS485/RS422

Dos bloques de terminales para la interfaz serie RS485/RS422 usada para controlar equipos auxiliares, como dispositivos de movimiento horizontal/vertical.

Ranura para tarjetas SD

AVISO

- Riesgo de daños en la tarjeta SD. No utilice herramientas afiladas ni ejerza demasiada fuerza al insertar o retirar la tarjeta SD.
- Riesgo de pérdida de datos. Antes de retirar la tarjeta SD, es preciso desmontarla para evitar que los datos resulten dañados. Para desmontarla, vaya a **Setup > System Options > Storage > SD Card** (Configuración > Opciones del sistema > Almacenamiento > Tarjeta SD) y haga clic en **Unmount** (Desmontar).

Este producto admite tarjetas microSD/microSDHC/microSDXC (no incluidas).

AXIS P13-E Series

Para conocer las recomendaciones de tarjeta SD, consulte www.axis.com.

Botón de control

Para conocer la ubicación del botón de control, vea *Información general del hardware en la página 112*.

El botón de control se utiliza para lo siguiente:

- Activar el Asistente de Enfoque. Presione y suelte rápidamente el botón de control.
- Restablecer el producto a la configuración predeterminada de fábrica. Consulte *página 130*.
- Conectarse a un servicio AXIS Video Hosting System o al Servicio de DNS dinámico de Internet de AXIS. Para obtener más información sobre estos servicios, consulte el Manual del usuario.

Especificaciones

Condiciones de funcionamiento

El producto de Axis se ha creado para su uso en exteriores.

Producto	Temperatura	Humedad
AXIS P1364-E	De -40 °C a 50 °C	Humedad relativa del 10 al 100 % (con condensación)
AXIS P1365-E	De -40 °C a 50 °C	Humedad relativa del 10 al 100 % (con condensación)

Importante

Cuando la temperatura ambiente es inferior a 0 °C, la cámara podría tardar hasta 60 minutos en iniciarse. Cuanto más frío haga, más tardará en iniciarse.

Consumo

AVISO

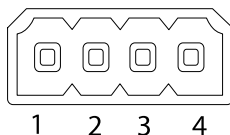
Utilice una fuente de alimentación limitada (LPS) con una potencia nominal de salida limitada a ≤ 100 W o una corriente nominal de salida limitada a ≤ 5 A.

Producto	PoE
AXIS P1364-E	Alimentación a través de Ethernet (PoE) IEEE 802.3af/802.3at Tipo 1 Clase 3, 12,95 W máx., 5,0 W típicos
AXIS P1365-E	Alimentación a través de Ethernet (PoE) IEEE 802.3af/802.3at Tipo 1 Clase 3, 12,95 W máx., 5,3 W típicos

Conectores

Conector de E/S

Bloque de terminales de 4 pines



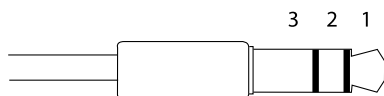
Para ver un ejemplo del diagrama, consulte *Diagramas de conexión en la página 122*.

Función	Pin	Notas	Especificaciones
0 V CC (-)	1		0 V CC
Salida de CC	2	Se puede utilizar para conectar el equipo auxiliar. Nota: Este pin solo se puede utilizar como salida.	12 V CC Carga máx. = 50 mA
Configurable (entrada o salida)	3-4	Entrada digital: Conéctela al pin 1 para activarla, o bien déjela suelta (o desconectada) para desactivarla.	0 a 30 V CC máx.
		Salida digital: Conectada al pin 1 cuando se activa y suelta (sin conectar) cuando está desactivada. Si se utiliza con una carga inductiva (por ejemplo, un relé), debe conectarse un diodo en paralelo a la carga como protección ante transitorios de tensión.	De 0 a 30 V CC máx., colector abierto, 100 mA

AXIS P13-E Series

Conector de audio

Conectores de audio de 3,5 mm (estéreo)

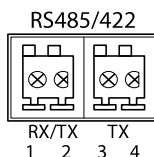


	1 Punta	2 Anillo	3 Manguito
Entrada de audio	Entrada de línea/micrófono		Tierra
Salida de audio	Salida de línea (mono)		Tierra

Conector RS485/422

Dos bloques de terminales de 2 pines para la interfaz serie RS485/RS422. El puerto serie puede configurarse para admitir:

- Semidúplex RS485 de dos cables
- Dúplex completo RS485 de cuatro cables
- Simplex RS422 de dos cables
- Dúplex completo RS422 de cuatro cables para comunicación dúplex punto a punto



Función	Pin	Notas
RS485B alt RS485/422 RX(B)	1	Par RX para todos los modos (RX/TX combinados para RS485 de dos cables)
RS485A alt RS485/422 RX(A)	2	
RS485/RS422 TX(B)	3	Par TX para RS422 y RS485 de cuatro cables
RS485/RS422 TX(A)	4	

Importante

La longitud de cable máxima recomendada es 30 m.

Área de cableado

AVISO

- Utilice cables que puedan permanecer dentro del área de cableado especificada.
- Elija cables que cumplan la normativa local aplicable.
- Asegúrese de que todos los orificios para cables estén debidamente sellados.
- Utilice juntas de cable o prensaestopas que se ajusten tanto al orificio para cable como al área de cableado.

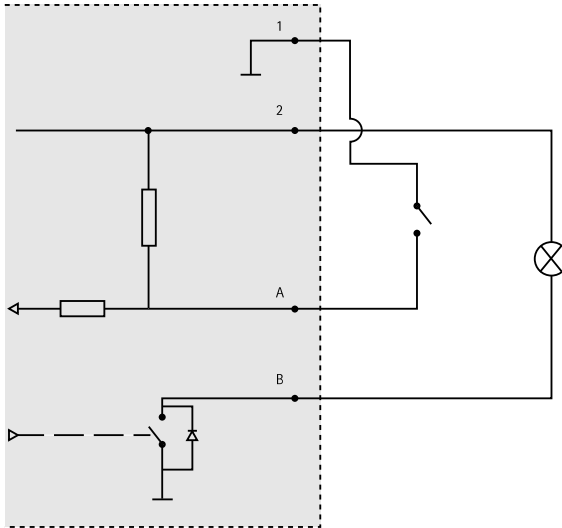
Diámetro	AWG
De 5 a 15 mm	Aproximadamente de 4 a 6/0

En caso de necesitar orificios para cables adicionales, abra los orificios preperforados situados en la parte inferior de la carcasa. Vea *Información general del hardware en la página 112*.

Para obtener información acerca de los accesorios, como juntas de cable y prensaestopas permitidos para otras áreas de cableado, visite www.axis.com.

Diagramas de conexión

Conector de E/S



- 1 0 V CC (-)
- 2 Salida de CC 12 V, 50 mA máx.
- A E/S configurada como entrada
- B E/S configurada como salida

Instalación del hardware

AVISO

- Debido a la normativa local o a las condiciones ambientales y eléctricas en las que se vaya a utilizar el producto, puede que sea adecuado u obligatorio el uso de un cable de red blindado (STP). Todos los cables que conectan el producto a la red y que se utilicen en exteriores o en entornos eléctricos exigentes deberán estar blindados y diseñados para su uso específico. Asegúrese de que los dispositivos de red estén instalados de conformidad con las instrucciones del fabricante.
Para obtener información sobre los requisitos normativos, vea *Regulatory Information 2*
- Preste atención para no arañar, dañar ni dejar las huellas en la ventana de la carcasa, puesto que esto puede provocar una disminución de la calidad de imagen.

El producto de Axis puede instalarse guiando los cables a través de la pared o sobre esta.

Lea todas las instrucciones antes de instalar el producto:

1. Instale el montaje en pared. Vea *Instalación del montaje en pared en la página 123*. Para obtener instrucciones detalladas, vea la guía de instalación para montaje en pared, incluida en el paquete o disponible en www.axis.com.
2. Fije la carcasa al montaje en pared. Vea *Fijación de la carcasa al montaje en pared en la página 123*.
3. Conecte la cámara. Vea *Conexión de la cámara en la página 126*.

Instalación del montaje en pared

⚠ ATENCIÓN

Asegúrese de que los tornillos y tapones sean los adecuados para el material (p. ej. madera, metal, placas de yeso, piedra) y que el material sea lo suficientemente resistente para soportar el peso combinado de la cámara, la carcasa y el montaje en pared.

1. Prepare la pared para instalar el montaje en pared. Utilice la escuadra de pared como una plantilla y marque la ubicación de los orificios antes de perforarlos.
2. Guíe el cable de red a través de la escuadra de pared. Deje unos 30 cm de cable aproximadamente para conectarlo a la cámara.
3. Si se conecta un dispositivo auxiliar a la cámara, por ejemplo un dispositivo de alimentación externo, un dispositivo de E/S o uno de audio, repita el paso anterior aplicado a cada dispositivo en cuestión.
4. Fije la escuadra de pared a la pared apretando los tornillos.

Nota

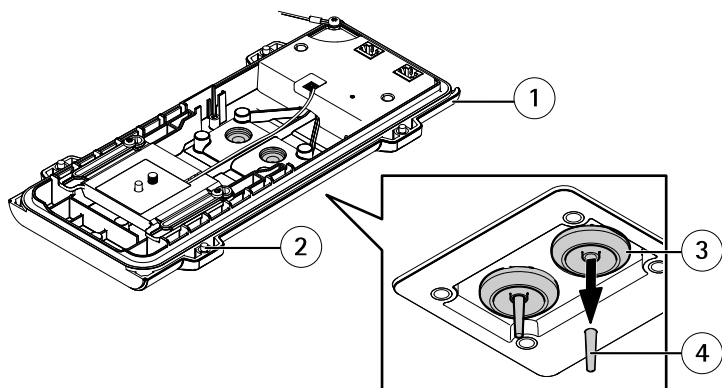
- Para obtener instrucciones detalladas, vea la Guía de instalación del montaje en pared, incluida en el paquete y disponible en www.axis.com.

Fijación de la carcasa al montaje en pared

AVISO

- Utilice los cables que permanecen dentro del área de cableado especificada, vea *página 121*. Si utiliza otra junta de cable distinta de la proporcionada, el agua podría filtrarse y dañar el producto. Para obtener más información acerca de las juntas de cable y de los prensaestopas permitidos para otras áreas de cableado, visite www.axis.com.
 - Si se utiliza más de un cable, deberá pasarse cada cable a través de una junta distinta.
 - Solo abra un orificio en las juntas de cable que se vayan a utilizar y si alguna junta está desgastada, reemplácela con una nueva. Si deja la junta de cable abierta o utiliza una desgastada, el agua podría filtrarse y dañar el producto.
1. Afloje los tornillos de la cubierta inferior y levante la cubierta superior.

2. Seleccione la junta de cable que vaya a utilizar y tire de la lengüeta para abrir un orificio para el cable de red.

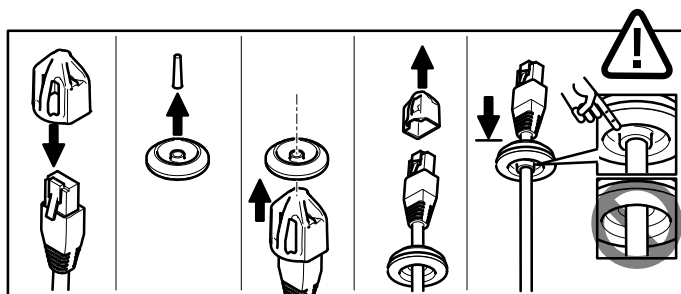


- 1 *Cubierta inferior*
- 2 *Tornillo T20 de cubierta inferior (4x)*
- 3 *Junta de cable M20 (2x)*
- 4 *Lengüeta*

3. Empuje el cable de red a través de la junta de cable.

AVISO

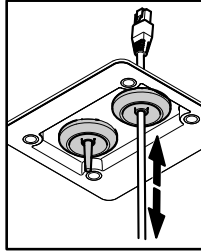
Si el cable de red incluye un conector de red premontado, retire la junta de cable y utilice el protector del conector para evitar que la junta de cable se rompa. Evite utilizar cables de red con conectores de red recubiertos ya que podrían rasgar la junta de cable a pesar de utilizar el protector.



4. Tire del cable de red hacia atrás suavemente de manera que la junta de cable se ajuste en el cable.

AVISO

Si no se tira del cable hacia atrás, podría filtrarse agua y dañar el producto.

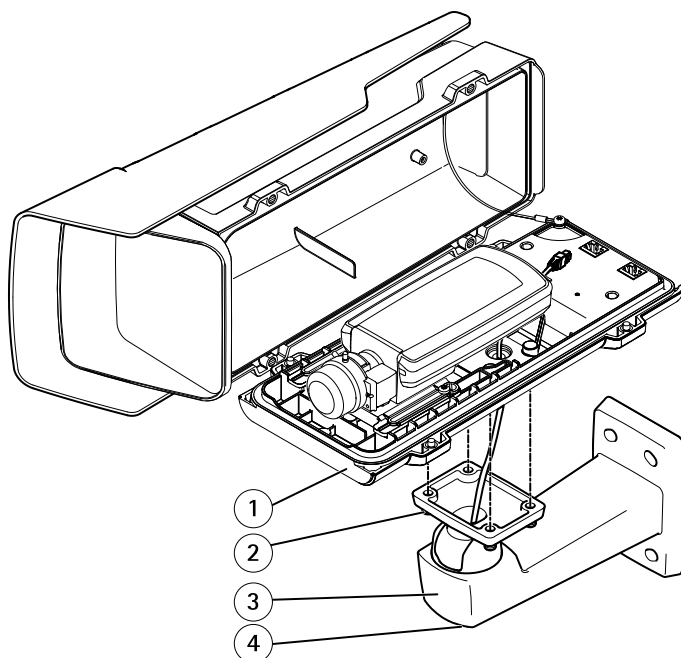


5. Asegúrese de que la junta de cable encaje correctamente.
6. Si se conecta un dispositivo auxiliar a la cámara, por ejemplo un dispositivo de alimentación externo, un dispositivo de E/S o uno de audio, repita los pasos anteriores aplicados a cada dispositivo en cuestión.

AVISO

Monte los conectores después de haber encajado los cables en la junta de cable.

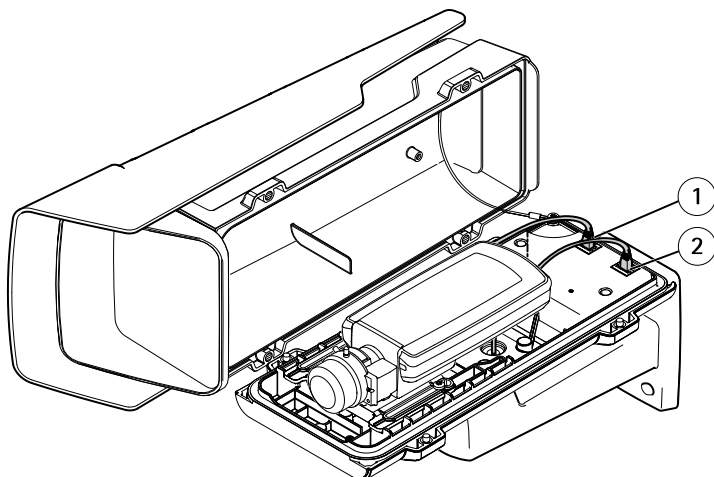
7. Coloque la cubierta inferior sobre el montaje en pared y apriete los tornillos (par de torsión de 2 Nm).



- 1 *Cubierta inferior*
- 2 *Tornillo T20 (4x)*
- 3 *Escuadra de pared*
- 4 *Tornillo de ajuste de escuadra T30*

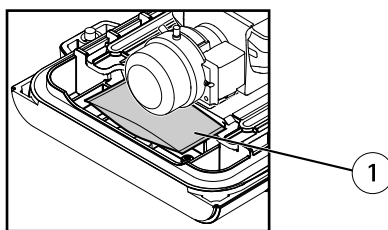
Conexión de la cámara

1. Si procede, conecte dispositivos externos, de entrada o de audio a la cámara.
2. Conecte el cable del calefactor al conector de este situado en la cubierta inferior.
3. En caso de utilizar una tarjeta SD como unidad de almacenamiento local, insértela en la ranura para tarjetas SD de la cámara.
4. Conecte la carcasa a la red (PoE IN) y la cámara a la carcasa (PoE OUT).



- 1 Conector de red (PoE OUT)
- 2 Conector de red (PoE IN)

5. Asegúrese de que los LED de la cámara y la carcasa indican un estado correcto. Vea *Indicadores LED en la página 115*.
6. Afloje el tornillo de ajuste de la escuadra para orientar la cámara hacia el punto de interés. Para obtener más información sobre cómo ver la transmisión de vídeo, vea *Acceso al producto en la página 128*
7. Retire el envoltorio de plástico de la bolsa desecante y colóquela debajo del objetivo.



- 1 Bolsa desecante

8. Cierre la carcasa. Asegúrese de apretar los tornillos de la cubierta inferior poco a poco, de forma alterna, hasta que estén bien apretados (par de torsión de 1,5 Nm). De este modo contribuirá a garantizar que la junta de la cubierta inferior se ha comprimido uniformemente.

AVISO

Asegúrese de no pillar ningún cable al cerrar la carcasa.

9. Si es necesario, afloje los tornillos del parasol, ajuste este en su posición y apriete los tornillos.

Acceso al producto

Se recomiendan AXIS IP Utility y AXIS Camera Management como métodos para buscar los productos de Axis en la red y asignarles direcciones IP en Windows®. Ambas aplicaciones son gratuitas y pueden descargarse de www.axis.com/techsup

El producto se puede utilizar con la mayoría de los sistemas operativos y navegadores. Los navegadores recomendados son

- Internet Explorer® con Windows®
- Safari® con OS X®
- Chrome™ o Firefox® con otros sistemas operativos.

Para obtener más información sobre el uso del producto, consulte el Manual del usuario, disponible en www.axis.com.

Ajuste de enfoque

Siga estas instrucciones para ajustar el enfoque y el zoom.

Si la cámara está montada de manera que no es posible mirar la imagen y acceder al objetivo al mismo tiempo, utilice el Asistente de Enfoque, vea *Ajuste de enfoque con el Asistente de Enfoque en la página 129*.

1. Abra la página inicial del producto y vaya a **Setup (Configuración) > Basic Setup (Configuración básica) > Focus (Enfoque)**.
2. En la pestaña **Basic (Básica)**, haga clic en **Open iris (Abrir iris)**. Si el botón no está activo, esto significa que el iris ya está abierto.
3. Si el enfoque se ha establecido en alguna ocasión anterior, haga clic en **Reset (Restablecer)** para restablecer el enfoque anterior.
4. Afloje la palanca de zoom y el tornillo de bloqueo del anillo de enfoque del objetivo girándolos en el sentido contrario a las agujas del reloj. Vea *Información general del hardware en la página 112*.
5. Mueva la palanca de zoom y el anillo de enfoque para establecer el zoom y el enfoque y compruebe la calidad de la imagen en la ventana de imagen.
6. Apriete de nuevo la palanca de zoom y el tornillo de bloqueo del anillo de enfoque.
7. En la página de enfoque, haga clic en **Fine-tune focus automatically (Ajustar el enfoque automáticamente)** y espere a que el ajuste preciso automático finalice.
8. Haga clic en **Enable iris (Activar iris)**. Si el botón no está activo, esto significa que el iris ya está activado.

9. En caso necesario, realice ajustes adicionales en la pestaña **Advanced (Avanzada)**. Vea la ayuda en línea para obtener más información.

Ajuste de enfoque con el Asistente de Enfoque

Nota

- La vista de delante de la cámara no debe cambiar durante el ajuste del enfoque. Si la cámara se mueve, o si se coloca un dedo u otro objeto delante del objetivo, comience de nuevo el procedimiento.
 - Si no es posible evitar el movimiento delante de la cámara, el Asistente de Enfoque no debe utilizarse.
 - Si el botón de control no se suelta en dos segundos, se activará el Servicio DNS dinámico de AXIS en lugar del Asistente de Enfoque.
 - Si la cámara está montada de manera que no es posible acceder al botón de control, todavía se puede utilizar el Asistente de Enfoque. Siga estas instrucciones pero active el Asistente de Enfoque antes de montar la cámara.
1. Abra la página inicial del producto y vaya a **Setup (Configuración) > Basic Setup (Configuración básica) > Focus (Enfoque)**.
 2. En la pestaña **Basic (Básica)**, haga clic en **Open iris (Abrir iris)**. Si el botón no está activo, esto significa que el iris ya está abierto.
 3. Si el enfoque se ha establecido en alguna ocasión anterior, haga clic en **Reset (Restablecer)** para restablecer el enfoque anterior.
 4. Monte o coloque la cámara de modo que no pueda moverse.
 5. Afloje la palanca de zoom girándola en el sentido contrario a las agujas del reloj. Mueva la palanca para establecer el nivel de zoom. Apriete de nuevo la palanca de zoom.
 6. Ponga la cámara en la posición máxima de enfoque lejano; para hacerlo, afloje el tornillo de bloqueo del anillo de enfoque y gire el anillo de enfoque en el sentido de las agujas del reloj hasta el tope.
 7. Presione y suelte rápidamente el botón de control. Cuando el indicador de estado parpadea, el Asistente de Enfoque está activado.
 8. Gire lentamente el anillo de enfoque en el sentido contrario a las agujas del reloj hasta que se detenga.
 9. Gire lentamente el anillo de enfoque en el sentido de las agujas del reloj hasta que el indicador de estado parpadee en verde.
 10. Para salir del Asistente de Enfoque, presione y suelte rápidamente el botón de control. Si no puede acceder al botón de control, el Asistente de Enfoque se desactiva automáticamente transcurridos 15 minutos.
 11. Apriete de nuevo el tornillo de bloqueo del anillo de enfoque.
 12. Abra la página Live View (Vista en directo) en el explorador Web y compruebe la calidad de la imagen.

13. En la página de enfoque, haga clic en **Fine-tune focus automatically (Ajustar el enfoque automáticamente)** y espere a que el ajuste preciso automático finalice.
14. Haga clic en **Enable iris (Activar iris)**. Si el botón no está activo, esto significa que el iris ya está activado.
15. En caso necesario, realice ajustes adicionales en la pestaña **Advanced (Avanzada)**. Vea la ayuda en línea para obtener más información.

Restablecimiento a la configuración predeterminada de fábrica

Importante

Hay que tener cuidado al restablecer la configuración predeterminada de fábrica. Todos los valores, incluida la dirección IP, se restablecerán a la configuración predeterminada de fábrica.

Nota

Las herramientas del software de instalación y gestión están disponibles en las páginas de asistencia técnica en www.axis.com/techsup.

Para restablecer el producto a la configuración predeterminada de fábrica:

1. Desconecte la alimentación del producto.
2. Mantenga pulsado el botón de control y vuelva a conectar la alimentación. Vea *Información general del hardware en la página 112*.
3. Mantenga pulsado el botón de control durante 15-30 segundos hasta que el indicador LED de estado parpadee en ámbar.
4. Suelte el botón de control. El proceso finaliza cuando el indicador LED de estado se pone verde. El producto se ha restablecido a la configuración predeterminada de fábrica. Si no hay ningún servidor DHCP disponible en la red, la dirección IP predeterminada es 192.168.0.90.
5. Utilice las herramientas del software de instalación y gestión para asignar una dirección IP, establecer la contraseña y acceder a la transmisión de vídeo.
6. Vuelva a enfocar el producto.

También es posible restablecer los parámetros a los valores predeterminados de fábrica mediante la interfaz web. Vaya a **Setup > System Options > Maintenance (Configuración > Opciones del sistema > Mantenimiento)** y haga clic en **Default (Predeterminado)**.

Más información

Para consultar la versión más reciente de este documento, vaya a www.axis.com

El Manual de usuario se encuentra disponible en www.axis.com.

Visite www.axis.com/techsup para comprobar si existe un firmware actualizado disponible para su producto de red. Para ver la versión del firmware instalado actualmente, vaya a **Setup > About (Configuración > Acerca de)**.

Visite el centro de aprendizaje de www.axis.com/academy para consultar guías, tutoriales, seminarios web y cursos que pueden resultarle útiles.

Información de garantía

Para obtener más detalles sobre la garantía del producto Axis y la información relacionada con ella, consulte www.axis.com/warranty/

安全情報

本製品を設置する前に、このインストールガイドをよくお読みください。インストールガイドは、後で参照できるように保管しておいてください。

危険レベル

▲危険

回避しない場合、死亡または重傷につながる危険な状態を示します。

▲警告

回避しない場合、死亡または重傷につながるおそれのある危険な状態を示します。

▲注意

回避しない場合、軽傷または中程度の怪我につながるおそれのある危険な状態を示します。

注記

回避しない場合、器物の破損につながるおそれのある状態を示します。

その他のメッセージレベル

重要

製品を正しく機能させるために不可欠な重要情報を示します。

注意

製品を最大限に活用するために役立つ有用な情報を示します。

安全手順

注記

- 本製品は、お使いになる地域の法律や規制に準拠して使用してください。
- 本製品は乾燥した換気のよい環境に保管してください。
- 本製品に衝撃または強い圧力を加えないでください。
- 本製品を不安定なブラケット、表面、または壁に設置しないでください。
- 本製品を設置する際には、適切な工具のみを使用してください。電動工具を使用して過剰な力をかけると、製品が損傷することがあります。
- 化学薬品、腐食剤、噴霧式クリーナーは使用しないでください。
- 清掃には、きれいな水に浸した清潔な布を使用してください。
- 製品の技術仕様に準拠したアクセサリーのみを使用してください。これらのアクセサリーは、Axisまたはサードパーティから入手できます。
- Axisが提供または推奨する交換部品のみを使用してください。
- 製品を自分で修理しないでください。修理については、Axisサポートまたは販売代理店にお問い合わせください。

輸送

注記

- 本製品を運搬する際は、製品が損傷しないよう、元の梱包か同等の梱包を使用してください。

バッテリー

本製品は、内部リアルタイムクロック (RTC) 用電源として、3.0 V CR2032 リチウムバッテリーを使用します。このバッテリーは、通常条件下で最低5年間使用できます。

バッテリーが低電力状態になると、RTCの動作に影響し、電源を入れるたびにRTCがリセットされます。バッテリーの交換が必要になると、製品のサーバーレポートにログメッセージが表示されます。サーバーレポートの詳細については、製品の設定ページを参照するか、Axisサポートまでお問い合わせください。

必要な場合以外はバッテリーを交換しないでください。バッテリーの交換が必要な場合は、Axisサポート (www.axis.com/techsup) までご連絡ください。

リチウムコイン型3.0 V電池は、1,2-ジメトキシエタン (エチレングリコールジメチルエーテル (EGDME)、CAS番号110-71-4) を含有しています。

▲警告

- バッテリーは、正しく交換しないと爆発する危険があります。
- 交換用バッテリーとしては、同一品またはAxisが推奨するバッテリーのみを使用してください。
- 使用済みバッテリーは、地域の規制またはバッテリーメーカーの指示に従って廃棄してください。

インストールガイド

このインストールガイドでは、AXIS P1364-E/P1365-Eネットワークカメラをお使いのネットワークにインストールする手順について説明します。製品の使用の詳細については、www.axis.comで入手できるユーザーズマニュアルを参照してください

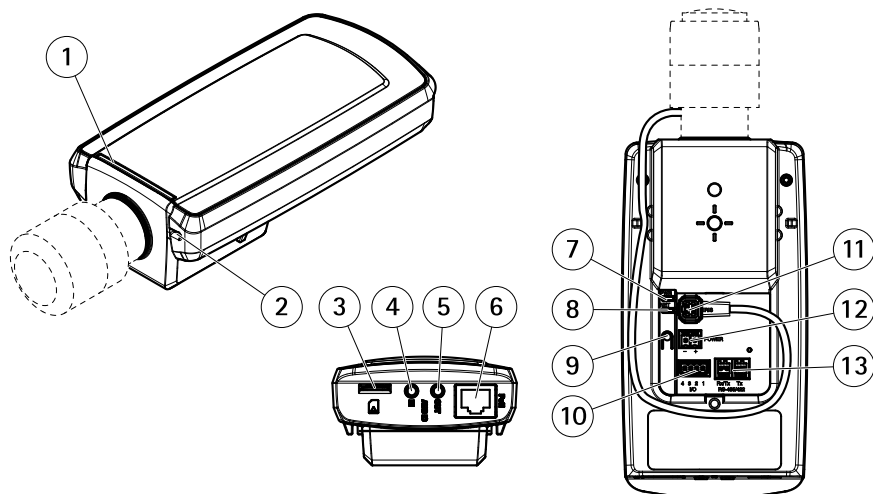
設置手順

1. パッケージの内容、ツールなど、設置に必要な物がそろっているかを確認します。137ページを参照してください。
2. ハードウェアの概要を確認します。138ページを参照してください。
3. 仕様を確認します。144ページを参照してください。
4. ハードウェアを設置します。148ページを参照してください。
5. 製品にアクセスします。154ページを参照してください。
6. フォーカスを設定します。154ページを参照してください。

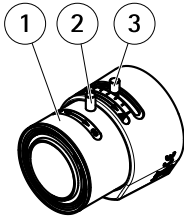
パッケージの内容

- ネットワークカメラ
 - AXIS P1364-E
 - AXIS P1365-E
- コネクタキット
- AXIS T94Q01A壁面取付ブラケット (内部ケーブルチャンネル付き)
- スクリュービットT30
- AXISコネクタガードA
- ネットワークケーブル - カメラとハウジングの接続用
- AXISケーブルバスケットM20
- 乾燥剤
- 印刷物
 - インストールガイド (本書)
 - 予備のシリアル番号ラベル (2枚)
 - AVHS認証キー

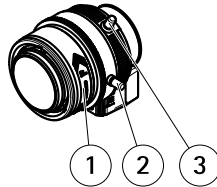
ハードウェアの概要



- 1 ステータスLED
- 2 内蔵マイクロフォン
- 3 microSDカードスロット
- 4 音声入力
- 5 音声出力
- 6 ネットワークコネクタ (PoE)
- 7 電源LED
- 8 ネットワークLED
- 9 コントロールボタン
- 10 I/Oコネクタ
- 11 アイリスコネクタ
- 12 使用しません
- 13 RS485/422コネクタ

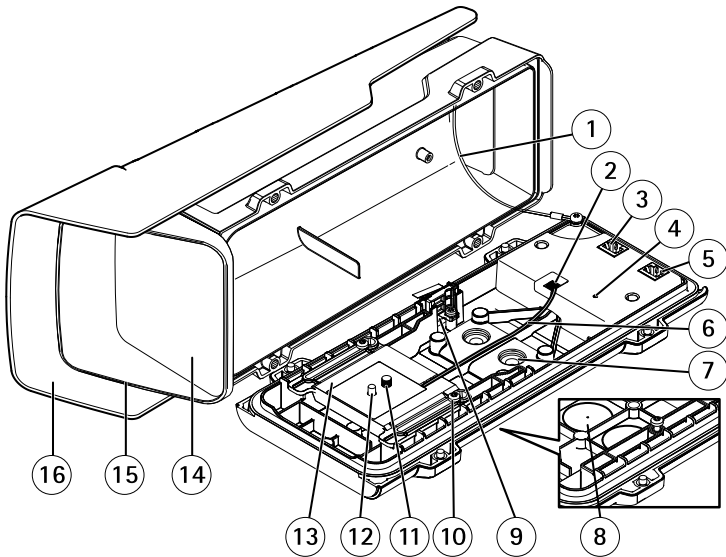


AXIS P1364-E



AXIS P1365-E

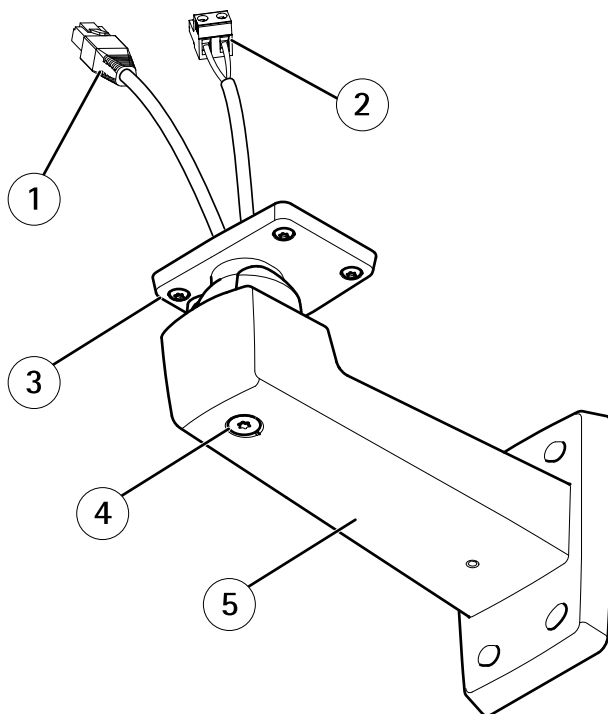
- 1 フォーカスリング
- 2 フォーカスリング固定ネジ
- 3 ズーム調節レバー



- 1 安全ワイヤー
- 2 ヒーターコネクタ
- 3 ネットワークコネクタ (PoE出力)
- 4 ステータスLEDインジケータ
- 5 ネットワークコネクタ (PoE入力)
- 6 ヒーターケーブル
- 7
- 8
- 9
- 10
- 11
- 12
- 13
- 14
- 15
- 16

- 7 ケーブルガスカートM20 (×2)
- 8 ドリルアウト (×2)
- 9 侵入アラームスイッチ
- 10 ホルダーネジT20 (×2)
- 11 カメラネジT20
- 12 ピン
- 13 ホルダー
- 14 ウィンドウ
- 15 上蓋
- 16 ウェザーシールド

壁面取付ブラケット



- 1 ネットワークケーブル(壁面ブラケットに通す)
- 2 電源ケーブル(壁面ブラケットに通す)(電源コネクタを搭載した製品用)
- 3 ネジT20 x4
- 4 ブラケット調節ネジT30

5 壁面取付ブラケット

LEDインジケータ

注意

- ステータスLEDは、正常動作時に消灯させることができます。設定は、**[Setup - System Options - Ports & Devices - LED] (設定 - システムオプション - ポートとデバイス - LED)**で行います。詳細については、オンラインヘルプを参照してください。
- ステータスLEDは、イベントの発生時に点滅させることができます。
- ステータスLEDを点滅させ、本製品を識別できるように設定することができます。設定は、**[Setup - System Options - Maintenance] (設定 - システムオプション - 保守)**で行います。

ステータスLED	説明
緑	正常動作であれば緑色に点灯します。
黄	起動時に点灯し、設定の復元時には点滅します。

ネットワークLED	説明
緑	100 Mbit/sネットワークに接続している場合、点灯します。ネットワークパケットを送受信した場合、点滅します。
黄	10 Mbit/sネットワークに接続している場合、点灯します。ネットワークパケットを送受信した場合、点滅します。
無点灯	ネットワーク接続なし。

電源LED	説明
緑	正常動作。
黄	ファームウェアアップグレード中は緑と黄の交互点滅。

ハウジングLEDインジケータ

LED	カラー	説明
状態	緑	正常動作
	緑、1回点滅	ヒーターのエラー
	緑、2回点滅	セルフテスト
	緑、3回点滅	一般エラー

フォーカスアシスタント用ステータスLEDの動作

フォーカスアシスタントが有効のとき、ステータスLEDが点滅します。

カラー	説明
赤	画像がピンぼけしています。 レンズを調整してください。
黄	画像が近すぎてピンぼけしています。 レンズの微調整を行う必要があります。
緑	画像のピントが合っています。

コネクタとボタン

仕様と動作条件については、144ページを参照してください。

ネットワークコネクタ

RJ45イーサネットコネクタ、Power over Ethernet (PoE) 対応。

注記

本製品を使用する場所の地域条例、環境、電気的条件下によっては、シールドネットワークケーブル (STP) の使用が推奨または必須になります。本製品をネットワークに接続して屋外または電氣的に厳しい環境に配線する場合は、用途に合ったネットワークケーブルを使用してください。ネットワーク装置がメーカーの指示どおりに設置されていることを確認します。法的要件については、を参照してください。

I/Oコネクター

外部装置を接続し、カメラに対するいたずらの警報、動体検知、イベントトリガー、低速度撮影、アラーム通知などを使用することができます。I/Oコネクターは、0V DC基準点と電力 (DC出力) に加えて、以下のインターフェースを提供します。

- **デジタル出力** — リレーやLEDなどの外部デバイスを接続します。接続されたデバイスは、VAPIX®アプリケーションプログラミングインターフェース (API)、[Live View] (ライブビュー) ページの出力ボタン、アクションルールを使用してアクティブにすることができます。アラームデバイスがアクティブな場合、出力がアクティブと表示されます (**System Options > Port & Devices** (システムオプション > ポートとデバイス) で表示)。
- **デジタル入力** — オープンサーキットとクローズサーキットの切り替えが可能なデバイスを接続するためのアラーム入力。たとえば、PIR、ドア/窓の接触、ガラス破壊検知などです。信号を受け取ると状態が変化し、入力がアクティブになります (**System Options > Ports & Devices** (システムオプション > ポートとデバイス) で表示)。

音声コネクタ

本製品は、以下の音声コネクタを搭載しています。

- **音声入力 (ピンク)** — モノラルマイクロフォンまたはライン入力モノラル信号用3.5 mm入力。
- **音声出力 (緑)** — 3.5 mm音声 (ラインレベル) 出力 (パブリックアドレス (PA) システムまたはアンプ内蔵アクティブスピーカーに接続可能)。音声出力には、ステレオコネクタを使用する必要があります。

音声入力には、ステレオ信号の左チャンネルが使用されます。

RS485/RS422 コネクタ

パン/チルトデバイスなど補助装置の制御に使用する、RS485/RS422シリアルインターフェース用のターミナルブロック×2

SDカードスロット

注記

- SDカード損傷の危険があります。SDカードの挿入と取り外しの際には、鋭利な工具を使用したり、過剰な力をかけないでください。
- データ損失の危険があります。データが破損しないように、SDカードはマウント解除してから取り外す必要があります。SDカードをアンマウントするには、[Setup] (設定) > [System Options] (システムオプション) > [Storage] (ストレージ) > [SD Card] (SDカード) を選択し、[Unmount] (アンマウント) をクリックします。

AXIS P13-E Series

本製品は、microSD/microSDHC/microSDXCカードに対応しています (別売)。

推奨するSDカードについては、www.axis.comを参照してください

コントロールボタン

コントロールボタンの位置については、138ページの、ハードウェアの概要を参照してください。

コントロールボタンは、以下の用途で使用します。

- フォーカスアシスタントを有効にする。コントロールボタンを押して、すぐに離します。
- 製品を工場出荷時の設定にリセットする。156ページを参照してください。
- AXIS Video Hosting SystemサービスまたはAXIS Internet Dynamic DNSサービスに接続する。これらのサービスの詳細については、ユーザーズマニュアルを参照してください。

仕様

動作条件

本製品は屋外対応モデルです。

製品	温度	湿度
AXIS P1364-E	-40 ° C ~ 50 ° C	10 ~ 100%RH (結露可)
AXIS P1365-E	-40 ° C ~ 50 ° C	10 ~ 100%RH (結露可)

重要

気温が0°C以下の場合、起動まで最大60分を要する場合があります。気温が低いほど、起動に時間がかかります。

消費電力

注記

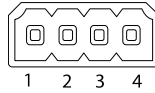
定格出力が100Wまたは5A以下の有限電源 (LPS) を使用します。

製品	PoE
AXIS P1364-E	Power over Ethernet (PoE) IEEE 802.3af/802.3at Type 1 Class 3、最大12.95 W、標準5.0 W
AXIS P1365-E	Power over Ethernet (PoE) IEEE 802.3af/802.3at Type 1 Class 3、最大12.95 W、標準5.3 W

コネクタ

I/Oコネクタ

4ピンターミナルブロック



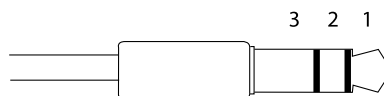
接続例の図については、148ページの、接続図を参照してください。

機能	ピン	備考	仕様
0 V DC (-)	1		0 V DC
DC出力	2	補助装置の電源供給に使用できます。 注: このピンは、電源出力としてのみ使用できます。	12 V DC 最大負荷 = 50 mA
設定可能 (入力または出力)	3-4	デジタル入力 - 動作させるにはピン1に接続し、動作させない場合はフローティング状態 (未接続) のままにします。	0~30 V DC (最大)
		デジタル出力 - 動作させるにはピン1に接続し、動作させない場合はフローティング状態 (未接続) にします。誘導負荷 (例: リレー) とともに使用する場合は、過渡電圧から保護するため、ダイオードを負荷と並列に接続する必要があります。	0~30 V DC (最大)、 オープンドレイン、100 mA

AXIS P13-E Series

音声コネクタ

3.5 mm音声コネクタ (ステレオ)

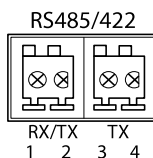


	1 チップ	2 リング	3 スリーブ
音声入力	マイクロフォン/ライン入力		グラウンド
音声出力	ライン出力 (モノラル)		グラウンド

RS485/422 コネクタ

RS485/RS422シリアルインターフェース用2ピンターミナルブロック×2。シリアルポートの設定により、次のモードをサポート可能。

- 2ワイヤーRS485半二重
- 4ワイヤーRS485全二重
- 2ワイヤーRS422単方向
- 4ワイヤーRS422全二重ポイントツーポイント通信



機能	ピン	備考
RS485BまたはRS485/422 RX(B)	1	すべてのモードのRXペア (2ワイヤーRS485のRX/TXペア)
RS485A5BまたはRS485/422 RX(A)	2	
RS485/RS422 TX(B)	3	RS422および4ワイヤーRS485のTXペア
RS485/RS422 TX(A)	4	

重要

ケーブルの推奨最大長は30 mです。

ケーブルエリア

注記

- 指定のケーブルエリアに収まるケーブルを使用してください。
- 地域の規制に適合したケーブルを選択してください。
- すべてのケーブル孔が適切に密封されていることを確認してください。
- ケーブル孔とケーブルエリアの両方に適合するケーブルガasketまたはケーブルグランドを使用してください。

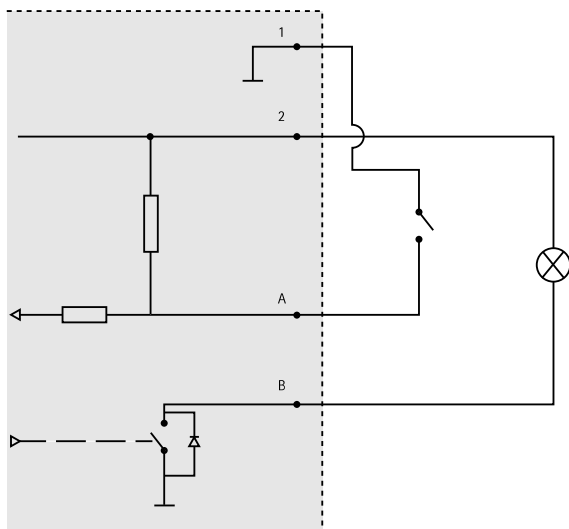
直径	AWG
5～15 mm	約4～6/0

ケーブル孔を追加する場合は、ハウジングの下部にあるドリルアウトを開けてください。138ページの、ハードウェアの概要を参照してください。

他のケーブルエリアに対応するケーブルガasket、ケーブルグランドなどのアクセサリについては、www.axis.comを参照してください。

接続図

I/Oコネクタ



- 1 0VDC (-)
- 2 DC出力12V、最大50mA
- A I/O (入力として設定)
- B I/O (出力として設定)

ハードウェアの設置

注記

- 本製品を使用する場所の地域条例、環境、電気的条件によっては、シールドネットワークケーブル (STP) の使用が推奨または必須になります。本製品をネットワークに接続して屋外または電氣的に厳しい環境に配線する場合は、用途に合ったネットワークケーブルを使用してください。ネットワーク装置がメーカーの指示どおりに設置されていることを確認します。

法的要件については、*Regulatory Information 2*を参照してください

- 画質低下の原因になるため、ウィンドウに傷や指紋を付けたり、損傷しないように注意してください。

本製品は、ケーブルを壁に沿わせたり、壁の中を通して配線して、設置することができます。

製品を取り付ける前に、すべての説明に目を通してください。

1. 壁面取付ブラケットの取り付け。149ページの、壁面取付ブラケットの取り付けを参照してください。詳しい取り付け手順については、壁面取付ブラケットに同梱のインストールガイド、またはwww.axis.comを参照してください。
- 2.ハウジングの壁面取付ブラケットへの取り付け。149ページの、ハウジングの壁面取付ブラケットへの取り付けを参照してください。
3. カメラを接続します。152ページの、カメラの接続を参照してください。

壁面取付ブラケットの取り付け

▲注意

ネジやプラグ類が、壁の材質(木、金属、乾式壁、石)に適しているか確認してください。また、壁の材質が、カメラ、ハウジング、壁面取付ブラケットの合計重量を十分に支えられることを確認してください。

1. 壁面取付ブラケットを取り付ける壁面の準備を行います。壁面ブラケットを壁に合わせ、穴を開ける位置に印を付けます。
2. ネットワークケーブルを壁面ブラケットに通します。カメラとの接続用に30 cmほどケーブルを残します。
3. I/O、音声、外部電源デバイスなどの補助デバイスをカメラに接続する場合、それぞれのデバイスについて同じ手順を繰り返します。
4. ネジを締め、壁面ブラケットを壁面に固定します。

注意

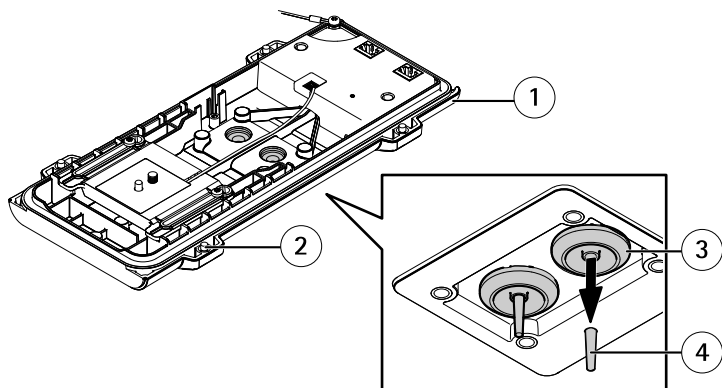
- 詳しい取り付け手順については、壁面取付ブラケットに同梱のインストールガイド、およびwww.axis.comを参照してください。

ハウジングの壁面取付ブラケットへの取り付け

▲注記

- 指定のケーブルエリアに収まるケーブルを使用してください。147ページを参照してください。付属のケーブルガスカート以外は使用しないでください。浸水し、製品が破損するおそれがあります。他のケーブルエリアに対応するケーブルガスカート、ケーブルグランドについては、www.axis.comを参照してください。
- 複数のケーブルを使用する場合、各ケーブルをそれぞれ別のケーブルガスカートに通す必要があります。
- 使用するケーブルガスカートのみ穴を開けます。ケーブルガスカートが破損した場合には、新品のケーブルガスカートに交換してください。ケーブルガスカートに穴を開けたままにしたり、破損したケーブルガスカートを使用したりすると、浸水し、製品が破損するおそれがあります。

1. 裏蓋ネジを緩め、上蓋を持ち上げます。
2. 使用するケーブルガasketを選び、タブを引いてネットワークケーブル用の穴を開けます。

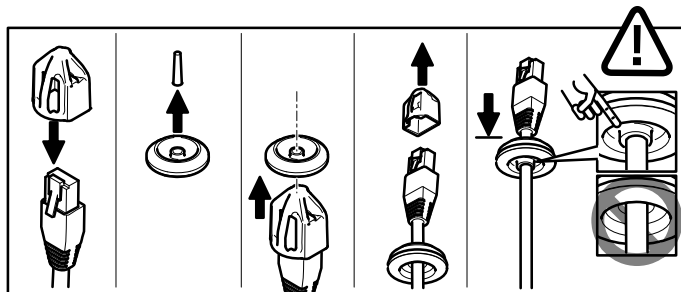


- 1 裏蓋
- 2 裏蓋ネジT20 (x4)
- 3 ケーブルガasketM20 (x2)
- 4 タブ

3. ネットワークケーブルをケーブルガasketに通します。

注記

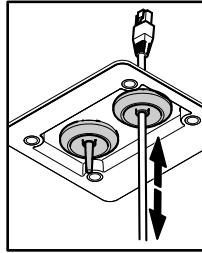
ネットワークケーブルにネットワークコネクタが付いている場合、ケーブルガasketを取り外し、コネクタガードを使用して、ケーブルガasketの破損を防止します。キャップ付きネットワークコネクタの付いたネットワークケーブルは使用しないでください。コネクタガードを使用してもケーブルガasketが破損するおそれがあります。



4. ネットワークケーブルを少し手前に引き、ケーブルガasketをケーブルにぴったりと合わせます。

注記

ケーブルを引いて手前に戻さないと、浸水して製品が損傷するおそれがあります。

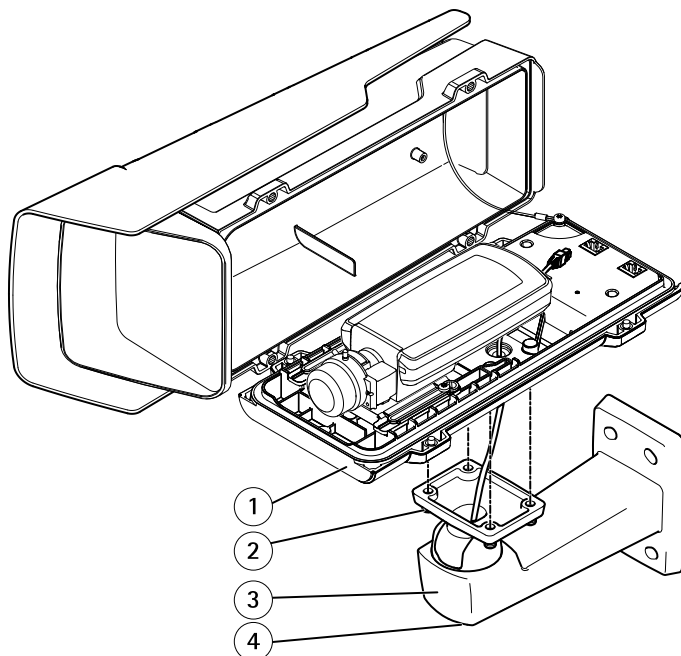


5. ケーブルガasketが正しく取り付けられていることを確認します。
6. I/O、音声、外部電源デバイスなどの補助デバイスをカメラに接続する場合、それぞれのデバイスについて同じ手順を繰り返します。

注記

ケーブルをケーブルガasketに通した後にコネクタを取り付けます。

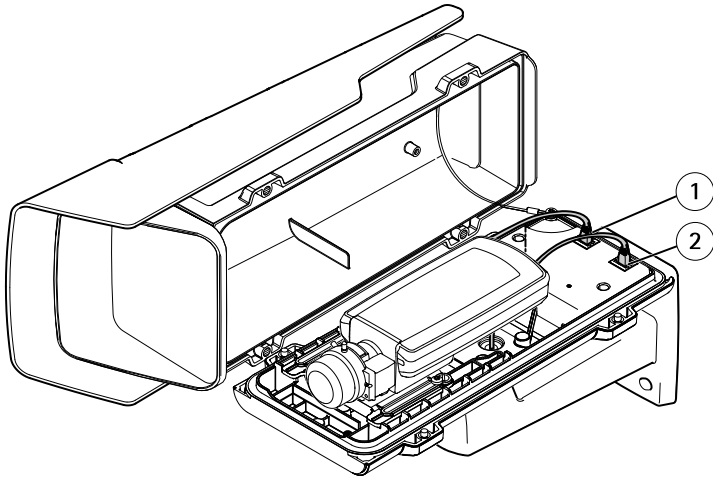
7. 裏蓋を壁面取付ブラケットに取り付け、ネジを締めます (トルク2 Nm)。



- 1 裏蓋
- 2 ネジT20 (x4)
- 3 壁面ブラケット
- 4 ブラケット調節ネジT30

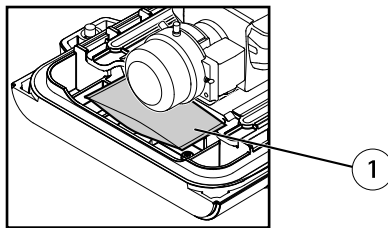
カメラの接続

1. 必要に応じて、外部/入力デバイスまたは音声デバイスをカメラに接続します。
2. 裏蓋のヒーターコネクタにヒーターケーブルを接続します。
3. SDカードをローカルストレージとして使用する場合は、カメラのSDカードスロットにSDカードを挿入します。
4. ハウジングをネットワーク (PoE入力) に接続し、カメラをハウジング (PoE出力) に接続します。



- 1 ネットワークコネクタ (PoE出力)
- 2 ネットワークコネクタ (PoE入力)

5. カメラおよびハウジングのLEDが正しい状態を示しているかを確認します。
141ページの、LEDインジケータを参照してください。
6. ブラケット調整ネジを緩め、カメラを撮影方向に向けます。ビデオストリームを表示する方法については、154ページの、製品へのアクセスを参照してください
7. 乾燥剤のビニール包装を取り外し、レンズの下に乾燥剤を置きます。



- 1 乾燥剤

8. ハウジングを閉じます。裏蓋ネジを数回ずつ回し、すべてのネジが締まるまでこれを繰り返します (トルク1.5 Nm)。これにより、裏蓋のガスケットに均等に力が掛かります。

注記

ハウジングを閉じるときに、ケーブルを挟まないよう注意してください。

9. 必要に応じて、ウェザーシールドのネジを緩め、位置を調節してネジを締めます。

製品へのアクセス

ネットワーク上でAxis製品を検索したり、Windows®でそれにIPアドレスを割り当てるには、AXIS IP UtilityまたはAXIS Camera Managementの使用をお勧めします。いずれのアプリケーションも無料で、www.axis.com/techsupからダウンロードできます

本製品は、ほとんどのオペレーティングシステムとブラウザでご利用いただけます。推奨ブラウザは以下のとおりです。

- Internet Explorer® (Windows®の場合)
- Safari® (OS X®の場合)
- Chrome™またはFirefox® (その他のオペレーティングシステムの場合)

製品の使用の詳細については、Axisのホームページ (www.axis.com) でユーザーズマニュアルを参照してください

フォーカスの調節

フォーカスとズームを設定するには、以下の手順に従います。

映像を見ながらレンズにアクセスできるようにカメラが設置されていない場合は、フォーカスアシスタントを使用します。155ページの、フォーカスアシスタントによるフォーカスの調節を参照してください。

1. 製品のホームページを開き、[Setup - Basic Setup - Focus] (設定 - 基本設定 - フォーカス) を選択します。
2. [Basic] (ベーシック) タブで、[Open iris] (開く) をクリックします。絞りがすでに開いている場合、このボタンは使用できない状態になっています。
3. 以前にフォーカスを設定している場合は、[Reset] (元に戻す) をクリックしてバックフォーカスのリセットを行います。
4. レンズのズーム調節レバーとフォーカスリングの固定ネジを、反時計回りに回して緩めます。「138ページの、ハードウェアの概要」を参照してください。
5. ズーム調節レバーとフォーカスリングを動かしてズームとフォーカスを調節し、映像ウィンドウで画質を確認します。
6. ズーム調節レバーとフォーカスリングの固定ネジを締め直します。
7. [Focus] (フォーカス) ページで、[Fine-tune focus automatically] (オートフォーカス微調整) をクリックして、自動微調整の完了を待ちます。
8. [Enable iris] (絞り有効) をクリックします。絞りがすでに有効な場合、このボタンは使用できない状態になっています。

9. 必要に応じて、**[Advanced] (高度な設定)** タブでさらに調整を行います。詳細については、オンラインヘルプを参照してください。

フォーカスアシスタントによるフォーカスの調節

注意

- フォーカス調節中はカメラの前の被写体が変わらないようにしてください。カメラが動いたり、レンズの前に指やその他の物体が入り込んだ場合は、手順を再開します。
- カメラの前で被写体が動いてしまう場合は、フォーカスアシスタントを使用しないでください。
- コントロールボタンを2秒以上押し続けると、フォーカスアシスタントの代わりにAXIS Dynamic DNS Serviceが使用できるようになります。
- コントロールボタンに手が届かない場所にカメラを設置する場合でも、フォーカスアシスタントを使用できます。指示に従いますが、カメラの設置前にフォーカスアシスタントを有効にします。

1. 製品のホームページを開き、**[Setup - Basic Setup - Focus]** (設定 - 基本設定 - フォーカス) を選択します。
2. **[Basic] (ベーシック)** タブで、**[Open iris] (開く)** をクリックします。絞りがかすでに開いている場合、このボタンは使用できない状態になっています。
3. 以前にフォーカスを設定している場合は、**[Reset] (元に戻す)** をクリックしてバックフォーカスのリセットを行います。
4. カメラが動かないようにしっかりと固定します。
5. ズーム調節レバーを反時計回りに回してゆるめます。レバーを動かしてズーム倍率を設定します。ズーム調節レバーを締め直します。
6. フォーカスリングの固定ネジをゆるめてフォーカスリングを時計方向にいっぱいまで回し、最も離れた位置にフォーカスを合わせます。
7. コントロールボタンを押して、すぐに離します。ステータスLEDが点滅して、フォーカスアシスタントが有効になります。
8. フォーカスリングを反時計方向にいっぱいまでゆっくりと回します。
9. ステータスLEDが緑に点滅するまでフォーカスリングを時計方向にゆっくりと回します。
10. コントロールボタンを押し、フォーカスアシスタントを終了します。コントロールボタンにアクセスできない場合、フォーカスアシスタントは15分後に自動的にオフになります。
11. フォーカスリングの固定ネジを締め直します。
12. Webブラウザで**[Live View] (ライブビュー)** ページを開き、映像の質を確認します。
13. **[Focus] (フォーカス)** ページで、**[Fine-tune focus automatically] (オートフォーカス微調整)** をクリックして、自動微調整の完了を待ちます。

14. **[Enable iris] (絞り有効)** をクリックします。絞りがすでに有効な場合、このボタンは使用できない状態になっています。
15. 必要に応じて、**[Advanced] (高度な設定)** タブでさらに調整を行います。詳細については、オンラインヘルプを参照してください。

工場出荷時の設定にリセットする

重要

工場出荷時の設定へのリセットは慎重に行ってください。工場出荷時の設定へのリセットを行うと、IPアドレスを含むすべての設定が工場出荷時の値にリセットされます。

注意

www.axis.com/techsupのサポートページに、インストール・管理ソフトウェアツールが用意されています。

本製品を工場出荷時の設定にリセットするには、以下の手順を実行します。

1. 本製品の電源を切ります。
2. コントロールボタンを押し続けながら電源を再投入します。「138ページの、ハードウェアの概要」を参照してください。
3. ステータスLEDインジケーターが黄色に点滅するまで、コントロールボタンを15～30秒間押し続けます。
4. コントロールボタンを離します。プロセスが完了すると、ステータスLEDが緑色に変わります。これで本製品は工場出荷時の設定にリセットされました。ネットワーク上に利用可能なDHCPサーバーがない場合、デフォルトのIPアドレスは192.168.0.90になります。
5. インストール・管理ソフトウェアツールを使用して、IPアドレスの割り当て、パスワードの設定、ビデオストリームへのアクセスを行います。
6. 本製品のフォーカスを調節します。

Webインターフェースを使用して、各種パラメーターを工場出荷時の設定に戻すこともできます。**[Setup - System Options - Maintenance] (設定 - システムオプション - 保守)** を選択し、**[Default] (デフォルト)** をクリックします。

関連情報

本書の最新バージョンについては、www.axis.comにアクセスしてください。

ユーザーズマニュアルは、www.axis.comで入手できます。

www.axis.com/techsupにアクセスして、ご使用のネットワーク製品の新しいファームウェアがリリースされていないかを確認してください。現在インストールされて

いるファームウェアのバージョンを確認するには、[Setup - About] (設定 - バージョン情報) を参照してください。

Axisラーニングセンター (www.axis.com/academy) にアクセスしてください。役に立つトレーニング、ウェブセミナー、チュートリアル、ガイドをご用意しています。

保証情報

Axisの製品保証と関連情報については、www.axis.com/warrantyをご覧ください

安全信息

安装该产品前请仔细阅读该安装指南。请保管好安装指南以供以后查阅。

危险等级

▲危险

表示有危险的情形，如果不能避免，将导致死亡或严重的个人伤害。

▲警告

表示有危险的情形，如果不能避免，将导致死亡或严重的个人伤害。

▲小心

表示有危险的情形，如果不能避免，将导致轻微或中度的个人伤害。

注意

表示一种情形，如果不能避免，将导致对财产的损坏。

其它消息等级

重要

表示对于产品正常运行必不可少的重要信息。

备注

表示有助于充分利用产品的有用信息。

安全说明

注意

- 使用该安讯士产品必须符合当地法律法规要求。
- 安讯士产品应存放在干燥通风的环境中。
- 应避免对安讯士产品造成冲撞或重压。
- 不得将本产品安装于不稳固的支架、表面或墙面上。
- 安装安讯士产品时，请使用适用工具。使用电动工具时过度用力可能对产品造成损坏。
- 请勿使用化学制剂、腐蚀性制剂或气雾性清洁剂。
- 使用浸有净水的干净抹布进行清洁。
- 所用附件必须符合该产品的技术规格要求。可由安讯士或第三方供应商提供。
- 必须使用安讯士提供或推荐的零件。
- 请勿试图自己修理该产品。维修事务请联系安讯士支持人员或您的安讯士经销商。

运输

注意

- 安讯士产品运输途中，应使用其原包装或等效包装，以防对产品造成损坏。

电池

该安讯士产品使用一块 3.0 V CR2032 锂电池为内部实时时钟（RTC）供电。正常情况下，该电池可至少使用 5 年。

电池电量不足将影响 RTC 运行，导致其在每次开机时重置。当电池需要更换时，产品的服务器报告中会显示日志消息。关于服务器报告的更多信息，请参考产品的设置页面或联系安讯士支持人员。

如非需要请勿更换电池！电池必须更换时，请联系安讯士支持人员寻求帮助，网址 www.axis.com/techsup。

3.0 V 锂纽扣电池包含 1,2-二甲氧基乙烷；乙二醇二甲醚 (EGDME)，CAS 号为 110-71-4。

警告

- 电池更换不当将引发爆炸危险。
- 请务必使用相同或安讯士推荐的电池进行更换。
- 请按照当地法规或电池制造商的说明来处理废旧电池。

安装指南

本安装指南说明了如何在网络上安装 AXIS P1364-E/P1365-E 网络摄像机。有关使用该产品的其他信息，请参见用户手册，网址：www.axis.com

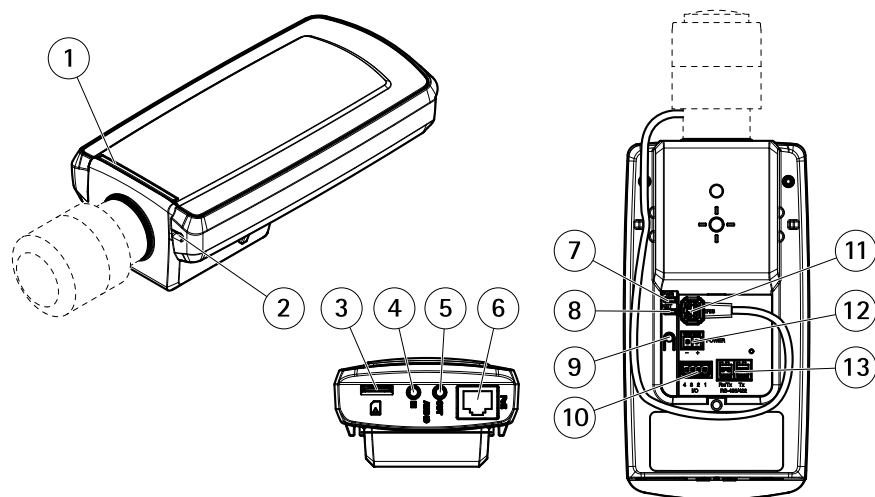
安装步骤

1. 确保安装必需的包装内容、工具和其它材料井然有序。参见 页 161。
2. 研究硬件概述。参见 页 162。
3. 研究规格。参见 页 167。
4. 安装硬件。参见 页 171。
5. 访问产品。参见 页 176。
6. 设置焦距。参见 页 176。

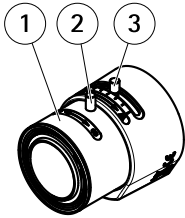
包装内容

- 网络摄像机
 - AXIS P1364-E
 - AXIS P1365-E
- 连接器套件
- AXIS T94Q01A 壁式支架（带有内部线缆通道）
- 螺钉钻头 T30
- AXIS 接口防护装置 A
- 网线-用于将摄像机连接至护罩
- 安讯士线缆垫圈 M20
- 干燥剂包
- 印刷资料
 - 安装指南（本文档）
 - 随附的序列号标签(2x)
 - AVHS 身份认证密钥

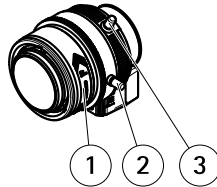
硬件概览



- 1 LED 状态指示灯
- 2 内置麦克风
- 3 microSD 卡插槽
- 4 音频输入
- 5 音频输出
- 6 网络接口 (PoE)
- 7 LED 电源指示灯
- 8 LED 网络指示灯
- 9 控制按钮
- 10 I/O 接口
- 11 光圈接口
- 12 未使用
- 13 RS485/422 接口

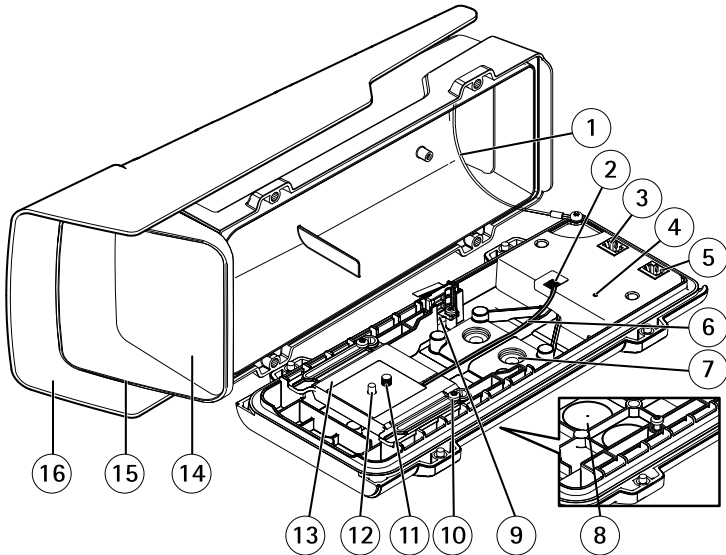


AXIS P1364-E



AXIS P1365-E

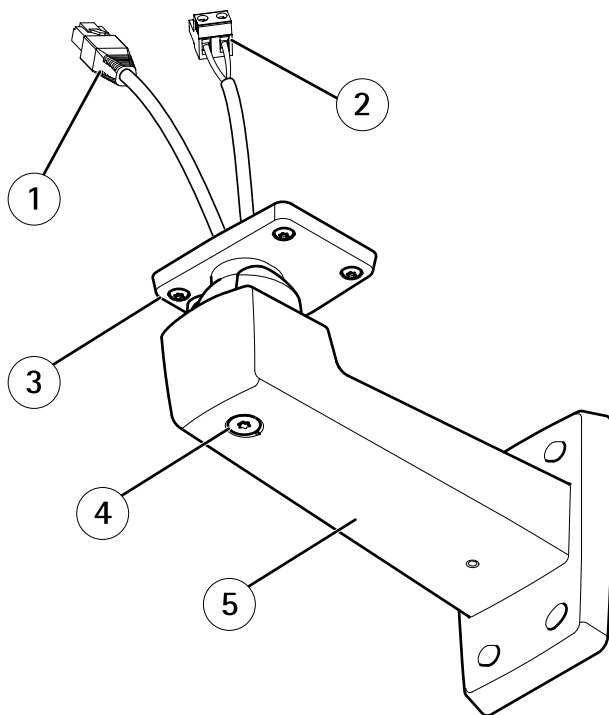
- 1 对焦环
- 2 对焦环的锁定螺丝
- 3 变焦拉杆



- 1 保险丝
- 2 加热器接口
- 3 网络接口 (PoE 输出)
- 4 LED 状态指示灯
- 5 网络接口 (PoE 输入)
- 6 加热器线缆
- 7
- 8
- 9
- 10
- 11
- 12
- 13
- 14
- 15
- 16

- 7 线缆垫圈 M20 (2x)
- 8 钻孔 (2x)
- 9 入侵报警开关
- 10 夹具螺丝 T20 (2x)
- 11 摄像机螺丝 T20
- 12 针脚
- 13 夹具
- 14 窗口
- 15 顶盖
- 16 风雨罩

壁式支架



- 1 网线 (穿过壁式支架)
- 2 电源线 (穿过壁式支架) (用于配备电源接口的产品)
- 3 螺丝 T20 (4x)
- 4 支架调节螺丝 T30
- 5 壁式支架

LED 指示灯

备注

- LED 状态指示灯可被配置为在工作正常时不亮。进行配置请访问**设置 > 系统选项 > 端口和设备 > LED**。如欲了解更多信息，请参见在线帮助。
- LED 状态指示灯可被配置为在事件激活状态下闪烁。
- LED 状态指示灯可被配置为识别装置时闪烁。访问**设置 > 系统选项 > 维护**。

LED 状态指示灯	指示
绿色	绿灯常亮表示工作正常。
淡黄色	启动时常亮。恢复设置时闪烁。

LED 网络指示灯	指示
绿色	常亮表示连接到 100 Mbit/s 网络。闪烁表示网络活动。
淡黄色	常亮表示连接到 10 Mbit/s 网络。闪烁表示网络活动。
不亮	无网络连接。

LED 电源指示灯	指示
绿色	工作正常。
淡黄色	固件升级过程中呈绿色/淡黄色闪烁。

护罩 LED 指示灯

LED	色彩	指示
职位	绿色	正常运行
	绿色，单次闪烁	加热器错误
	绿色，双次闪烁	自检
	绿色，三次闪烁	一般错误

使用对焦助手时的 LED 状态指示灯运行状态

对焦助手运行时，LED 状态指示灯闪烁。

色彩	指示
红色	图像脱焦。 调整镜头。
淡黄色	图像接近焦点。 镜头需要微调。
绿色	图像对准焦点。

接口和按钮

规范和工作条件方面的信息请参见页 167。

网络接口

RJ45 以太网接口，支持以太网供电 (PoE)。

注意

根据当地法规或使用产品所在的环境与电力条件，可能需要使用屏蔽网线 (STP)。任何连接产品与网络的线缆以及伸展到户外或苛刻电力环境中的线缆必须使用专用线缆。确保网络设备按照制造商的说明进行安装。有关监管要求的信息，请参见。

I/O 接口

与外部设备联合使用，例如：用于面向防篡改告警、移动侦测、事件触发、延时录像及报警通知的应用。除了 0 V DC 参考点和电源 (DC 输出)，I/O 接口还提供以下接口：

- **数字输出**—用于连接外部设备，如继电器和 LED 灯。已连接设备可通过 VAPIX® 应用编程接口 (API)、Live View (实时视图) 页面上的输出按钮或 Action Rule (操作规则) 激活。当警报设备被激活后，该输出接口将显示为激活 (显示在 **系统选项 > 端口和设备**下)。
- **数字输入**—面向连接设备的报警输入，可在开放和闭合线路间切换，例如：PIR、门/窗触点以及玻璃破碎探测器等。当接收到信号时，状态发生变化，而且输入接口变成激活状态 (显示在 **系统选项 > 端口和设备**下)。

音频接口

安讯士产品具有以下音频接口：

- **音频输入 (粉色)**—3.5 毫米单声道麦克风输入接口，或一路单声道输入信号。
- **音频输出 (绿色)**—3.5 毫米单声道音频输出 (线路电平)，可连接到公共广播 (PA) 系统或带有内置放大器的有源扬声器。必须使用立体声接口进行音频输出。

对于音频输入，可将左声道用于立体声信号。

RS485/RS422 接口

面向 RS485/RS422 串行接口的 2 个接线端子用于控制辅助设备，如 PT 设备。

SD 卡插槽

注意

- SD 卡损坏的风险。插入或移除 SD 卡时，切勿使用尖锐工具或用力过度。
- 数据丢失风险。为防止数据损坏，SD 卡应在弹出前卸载。如欲卸载，请访问 **设置 > 系统选项 > 存储 > SD 卡**，并单击**卸载**。

该产品支持 microSD/microSDHC/microSDXC 卡（不含）。

有关 SD 卡建议的更多信息，请访问 www.axis.com

控制按钮

有关控制按钮的位置信息，请参见 [硬件概览 页 162](#)。

控制按钮用于：

- 支持对焦助手。按下并快速放开控制按钮。
- 将产品重置为出厂默认设置。参见 [页 177](#)。
- 连接至安讯士视频托管系统服务或安讯士互联网动态 DNS 服务。有关这些服务的更多信息，请参见用户手册。

规格

工作条件

本安讯士产品专供室外使用。

产品	温度	湿度
AXIS P1364-E	-40 ° C 至 50 ° C (-40 ° F 至 122 ° F)	10-100% 相对湿度 (冷凝)
AXIS P1365-E	-40 ° C 至 50 ° C (-40 ° F 至 122 ° F)	10-100% 相对湿度 (冷凝)

AXIS P13-E Series

重要

当环境温度低于 0 °C (32 °F)，启动时间会长达 60 分钟。温度越低，启动时间越长。

功耗

注意

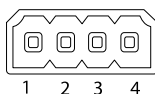
使用额定输出电源 ≤ 100 瓦或额定输出电流 ≤ 5 安的有限电源 (LPS)。

产品	PoE
AXIS P1364-E	以太网供电 (PoE)，符合 IEEE 802.3af/802.3at 1 型 3 类标准，最大功率 12.95 W，典型功率 5.0 W
AXIS P1365-E	以太网供电 (PoE)，符合 IEEE 802.3af/802.3at 1 型 3 类标准，最大功率 12.95 W，典型功率 5.3 W

接口

I/O 接口

4-针接线端子

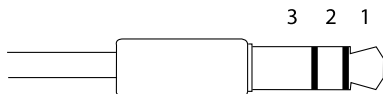


如欲获取示例图表，请参见 [连接图](#) 页 170。

功能	针脚	备注	规格
0 V DC (-)	1		0 V DC
DC 输出	2	可用于为辅助设备供电。 注：此针仅可用作电源输出。	12 V DC 最大负载 = 50 mA
可配置（输入或输出）	3-4	数字输入- 连接到针脚 1 以启用或断开连接（未连接）以停用。	0 至最大 30 V DC
		数字输出 - 启用后连接至针脚 1，停用后断开连接（未连接）。如果与继电器等电感负载一起使用，必须将二极管与负载并联，以防止电压瞬变。	0 至最大 30 V DC，开漏，100 mA

音频接口

3.5 毫米音频接口
(立体声)

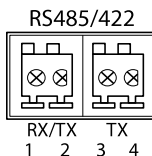


	1 顶端	2 环	3 套
音频输入	麦克风/线路输入		接地
音频输出	线路输出 (单声道)		接地

RS485/422 连接器

用于 RS485/RS422 串行接口的 2 个双针接线端子。通过配置使串行端口支持：

- 双线 RS485 半双工
- 四线 RS485 全双工
- 双线 RS422 单工
- 四线 RS422 全双工点对点通信



功能	针	节点
RS485B alt RS485/422 RX(B)	1	RX 匹配所有节点 (集成面向双线 RS485 的 RX/TX)
RS485A alt RS485/422 RX(A)	2	
RS485/RS422 TX(B)	3	TX 匹配 RS422 和 4-线 RS485
RS485/RS422 TX(A)	4	

重要

建议最大线长为 30 米(98.4 英寸)。

线缆区域

注意

- 使用保持在指定线缆区域的线缆。
- 选择符合您当地法规要求的线缆。
- 确保所有线缆孔妥当密封。
- 使用与线缆孔和线缆区域匹配的线缆垫圈或线缆密封套。

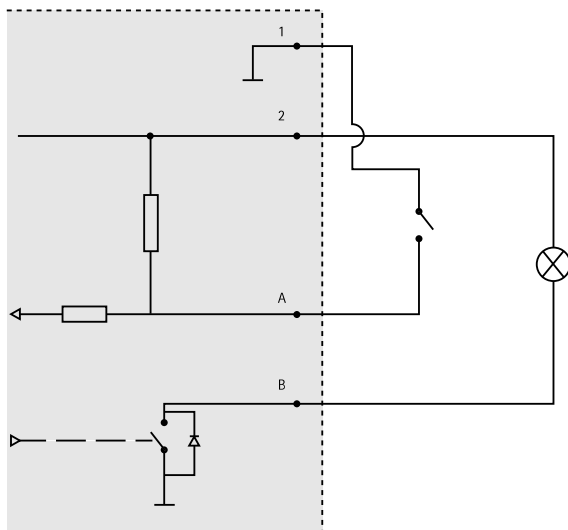
直径	AWG
从 5 到 15 毫米 (0.197 到 0.591 英寸)	大约从 4 到 6/0

如需额外的线缆孔，请打开护罩下部的钻孔。参见 [硬件概览 页 162](#)。

有关附件的信息，如适用其他线缆区域的线缆垫圈和线缆密封套，请访问 www.axis.com

连接图

I/O 接口



1 0 V DC (-)

2 DC 输出 12 V, 最大 50 mA

- A I/O 配置为输入
- B I/O 配置为输出

安装硬件

注意

- 根据当地法规或使用产品所在的环境与电力条件，可能需要使用屏蔽网线 (STP)。任何连接产品与网络的线缆以及伸展到户外或苛刻电力环境中的线缆必须使用专用线缆。确保网络设备按照制造商的说明进行安装。
有关监管要求的信息，请参见 *Regulatory Information 2*
- 切勿刮伤或损坏窗口或在窗口上留下指纹，因为这样会降低图像质量。

可将线缆穿过或沿墙壁布置，以此安装该安讯士产品。

请在安装产品前阅读所有说明：

1. 安装壁式支架。参见 *安装壁式支架 页 171*。如欲了解详细说明，请查阅壁式支架的安装指南，它随附在包装内，同时发布于 www.axis.com
2. 将护罩安装于壁式支架。参见 *将护罩安装至壁式支架 页 172*。
3. 连接摄像机。参见 *连接摄像机 页 174*。

安装壁式支架

小心

请确保螺丝和插头适用于相关材料（如木材、金属、干式墙、石头），且材料足够坚固，能够承受摄像机、护罩和壁式支架的全部重量。

1. 为安装壁式支架对墙壁实施前期准备工作将壁式支架用作样板，标记待钻的孔。
2. 将网线穿过壁式支架。留出近 30 厘米（11.8 英寸）线缆用于连接摄像机。
3. 如果将辅助设备（如 I/O、音频或外部电源设备）连接至摄像机，请重复上述适用于特定设备的步骤。
4. 拧紧螺丝，将壁式支架紧固在墙壁上。

备注

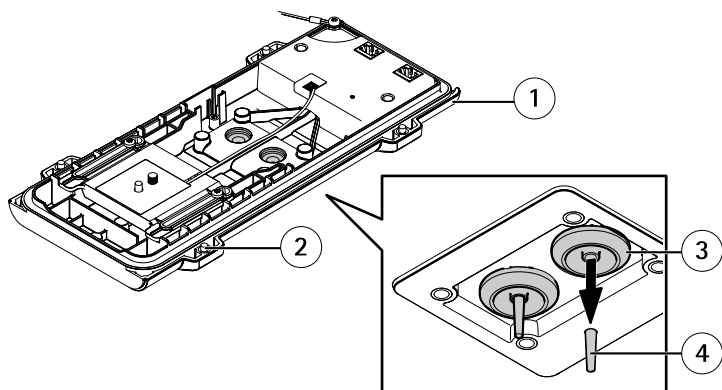
- 如欲了解详细说明，请查阅壁式支架的安装指南，它随附在包装内，同时发布于 www.axis.com

将护罩安装至壁式支架

注意

- 使用保持在指定线缆区域的线缆，请参见页 170。使用随附线缆垫圈以外的任何替代品可能导致渗水，从而造成产品损坏。有关适用其他线缆区域的线缆垫圈和线缆密封套，请访问 www.axis.com
- 如果使用一条以上的线缆，那么每条线缆必须穿过单独的线缆垫圈。
- 只在将被使用的线缆垫圈中开孔，如果一个线缆垫圈划破，则使用新线缆垫圈替换。让线缆垫圈保持开口状态或使用划破的线缆垫圈，可能导致渗水，从而造成产品损坏。

1. 松开底盖螺丝，并提起顶盖。
2. 选择需使用的线缆垫圈，并拉动小环以打开用于网线的孔。

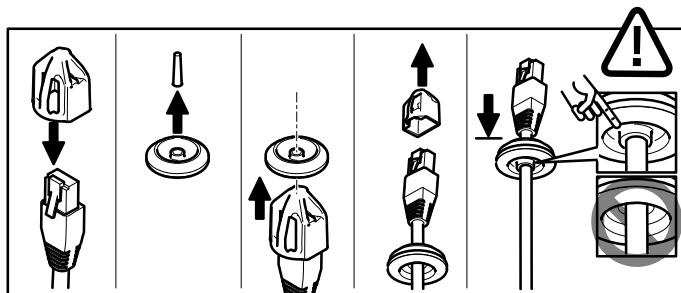


- 1 底盖
- 2 底盖螺丝 T20 (4x)
- 3 线缆垫圈 M20 (2x)
- 4 小环

3. 将网线穿过线缆密封套。

注意

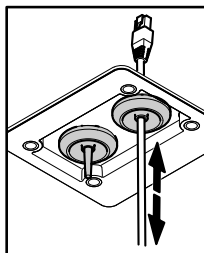
如果网线带有预装的网络接口，拆除线缆垫圈，并使用接口防护装置防止线缆垫圈划破。避免使用带有闭式网络接口的网络线缆，因为它会划破即使有接口防护装置保护的线缆垫圈。



4. 轻轻向后拉动网线，使线缆垫圈在线缆上调整到位。

注意

未向后拉动线缆，可导致水渗入并损坏产品。

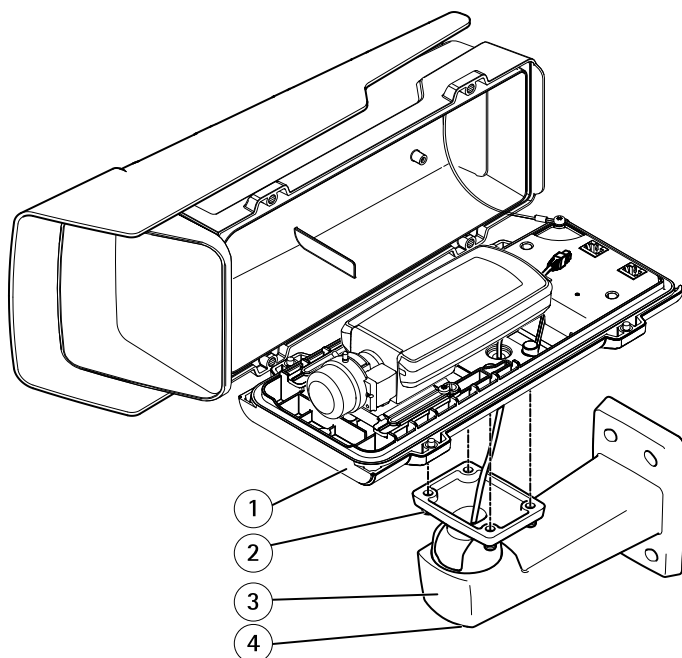


5. 确保线缆垫圈安装妥当
6. 如果将辅助设备（如 I/O、音频或外部电源设备）连接至摄像机，请重复上述适用于特定设备的步骤。

注意

在线缆穿过线缆垫圈后，安装接口。

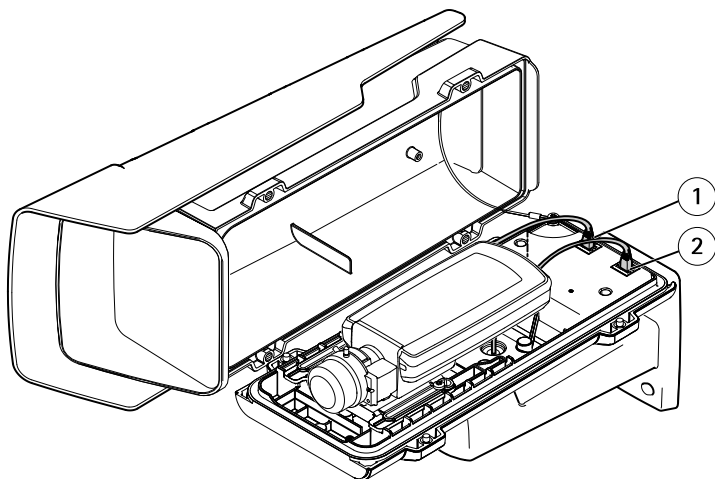
7. 将底盖置于壁式支架上，并拧紧螺丝（扭矩 2 纳米）。



- 1 底盖
- 2 螺丝 T20 (4x)
- 3 壁式支架
- 4 支架调节螺丝 T30

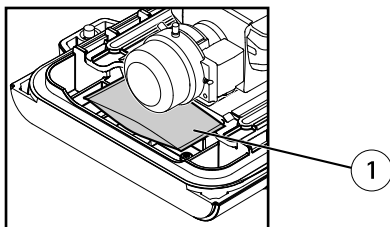
连接摄像机

1. 若可以，将外部/输入设备或音频设备连接至摄像机。
2. 将加热器线缆连接到底盖的加热器接口。
3. 如果将 SD 卡用于本地存储，请将该卡插入摄像机的 SD 卡插槽。
4. 将护罩连接至网络 (PoE 输入)，并将摄像机连接至护罩 (PoE 输出)。



- 1 网络接口 (PoE 输出)
- 2 网络接口 (PoE 输入)

5. 确保摄像机和护罩 LED 指示灯显示正确的状态。参见 *LED 指示灯* 页 165。
6. 松开支架调节螺丝，将摄像机对准相关点。有关如何查看视频流的信息，请参见 *访问产品* 页 176
7. 拆除干燥剂包的塑料包装，将干燥剂包置于镜头下。



- 1 干燥剂包

8. 合上护罩。每次请务必将底盖螺丝逐个拧动几圈，直至完全拧紧（扭矩 1.5 纳米）。这可确保底盖垫圈均匀受力。

注意

合上护罩时，请确保不要夹住任何线缆。

9. 若需要，松开风雨罩上的螺丝，调整其位置，然后拧紧螺丝。

访问产品

AXIS IP Utility 和 AXIS Camera Management 推荐用于查找网络上的安讯士产品，并在 Windows 中为它们分配 IP 地址®。两款应用都免费提供，并可在下列网址中下载：www.axis.com/techsup

该产品可配合多数操作系统和浏览器使用。推荐下列浏览器

- Internet Explorer® (搭配 Windows) ®
- Safari® (搭配 OS X) ®
- Chrome™ 或 Firefox® (搭配其他操作系统) 。

有关使用该产品的更多信息，请参见用户手册，网址：www.axis.com

调焦

按照下列说明设置对焦和变焦。

如果摄像机安装致使无法在查看图像的同时访问镜头，请使用对焦助手，详情请访问 *使用对焦助手调焦* 页 177。

1. 打开产品主页并进入 **设置 > 基本设置 > 对焦**。
2. 在**基本**选项卡下，单击**打开光圈**。如果该按钮为非激活状态，则光圈已经打开。
3. 如果之前已经设置了对焦，则单击**重置**以重置远程对焦。
4. 以逆时针旋转方式松开变焦拉杆和镜头上对焦环的锁定螺丝。请参见 *硬件概览* 页 162。
5. 移动拉杆和对焦环以设置变焦和对焦，并检查图像窗口中的图像质量。
6. 重新拧紧调焦拉杆和对焦环的锁定螺丝。
7. 在对焦页面点击 **自动微调对焦**，并等候自动微调完成。
8. 点击 **启用光圈**。如果该按钮为非激活状态，则光圈已经启用。
9. 如需要，可在 **高级**选项卡下进一步调校。如欲了解更多信息，请参见在线帮助。

使用对焦助手调焦

备注

- 在调节对焦的过程中，摄像机前面的视图不应改变。如果移动了摄像机，或是镜头前出现手指或其他物体，则重新开始该程序。
- 如果无法避免摄像机前的物体移动，则不应使用对焦助手。
- 如果未在 2 秒钟内松开控制按钮，则将启用 AXIS Dynamic DNS Service 而非对焦助手。
- 如果摄像机已安装，因此无法使用控制按钮，则您仍可使用对焦助手。遵照下列说明，但在安装摄像机前启用对焦助手。

1. 打开产品主页并进入 **设置 > 基本设置 > 对焦**。
2. 在 **基本** 选项卡下，单击 **打开光圈**。如果该按钮为非激活状态，则光圈已经打开。
3. 如果之前已经设置了对焦，则单击 **重置** 以重置远程对焦。
4. 安装或放置摄像机，以防止其移动。
5. 以逆时针方向松开变焦拉杆。移动拉杆以设置变焦水平。将变焦拉杆设置在正确位置。
6. 通过松开对焦环的锁定螺丝，并将对焦环顺时针旋转至极限，将摄像机设置为极远焦位置。
7. 按下并快速放开控制按钮。一旦状态指示灯开始闪烁，则表示已启用对焦助手。
8. 轻轻逆时针旋转对焦环直至其无法转动。
9. 缓慢顺时针旋转对焦环，直至状态指示灯闪绿色。
10. 要退出对焦助手，请按下控制按钮。如果您无法访问控制按钮，那么对焦助手会在 15 分钟后自动关闭。
11. 重新拧紧对焦环的锁定螺丝。
12. 在 Web 浏览器中打开实时视图页面，并检查图像的质量。
13. 在对焦页面单击 **自动微调对焦**，并等候自动微调完成。
14. 单击 **启用光圈**。如果该按钮为非激活状态，则光圈已经启用。
15. 如需要，可在 **高级** 选项卡下进行进一步调校。如欲了解更多信息，请参见在线帮助。

重置为出厂默认设置

重要

重置为出厂默认设置应慎用。重置为出厂默认设置将把所有设置重置为出厂默认值，包括 IP 地址。

备注

安装和管理软件工具可通过以下网站中的支持页面获取：www.axis.com/techsup

要将产品重置为出厂默认设置，请执行以下操作：

1. 断开产品电源。
2. 按住控制按钮不放，重新连接电源。请参见 [硬件概览页 162](#)。
3. 按住控制按钮 15–30 秒的时间，直至 LED 状态指示灯闪烁淡黄色。
4. 松开控制按钮。当 LED 状态指示灯变为绿色时，结束此过程。该产品已重置为出厂时的默认设置。如果网络上没有可用的 DHCP 服务器，则默认的 IP 地址为 192.168.0.90。
5. 借助安装和管理软件工具，分配 IP 地址，设置密码及访问视频流。
6. 重调产品焦距。

也可通过 Web 界面将参数重置为出厂默认设置。访问 [设置 > 系统选项 > 维护](#)，并点击 **默认**。

更多信息

有关本文档的最新版本，请访问 www.axis.com

如欲查阅用户手册，请访问 www.axis.com

请访问 www.axis.com/techsup，查看是否存在网络产品的可用固件更新。如欲查看当前安装的固件版本，请访问 [设置 > 关于](#)。

访问安讯士学习中心 www.axis.com/academy，获取有用培训、网络研讨会、教程及指南。

保修信息

有关安讯士产品保修的信息及与之相关的信息，请访问 www.axis.com/warranty/

