

AXIS M11 MK II Box Cameras

AXIS M1135-E MK II

AXIS M1137-E MK II

Repainting instructions

AXIS M11 MK II Box Cameras

Impact on warranty

Impact on warranty

This product is approved for repaint by Axis, provided that you follow the instructions in this document and at axis.com/warranty-implication-when-repainting.

Risks with repainting

There are several risks when disassembling or assembling an Axis product. Training of operators and the use of correct tools mediates some of the problems but they can never be fully avoided. Some of the risks include:

ESD Damage – Always handle the product in an ESD safe environment. Even if precautions are taken there is always a risk of ESD damage. The damage can remain undetected and cause problems during the lifetime of the equipment.

Dust contamination – Opening a camera may expose the lens and sensor to dust or paint. Dust will affect the optical performance. Lenses need to be disassembled in a dust-free environment, preferably a cleanroom.

Paint overspray – Masking the different components of the equipment is critical. Failure to mask sensitive areas can cause problems when assembling the equipment. Areas not painted at the factory or which have a different surface treatment than the parts to be painted (threads, ground and electrical contact surfaces) must also be masked to ensure function.

AXIS M11 MK II Box Cameras

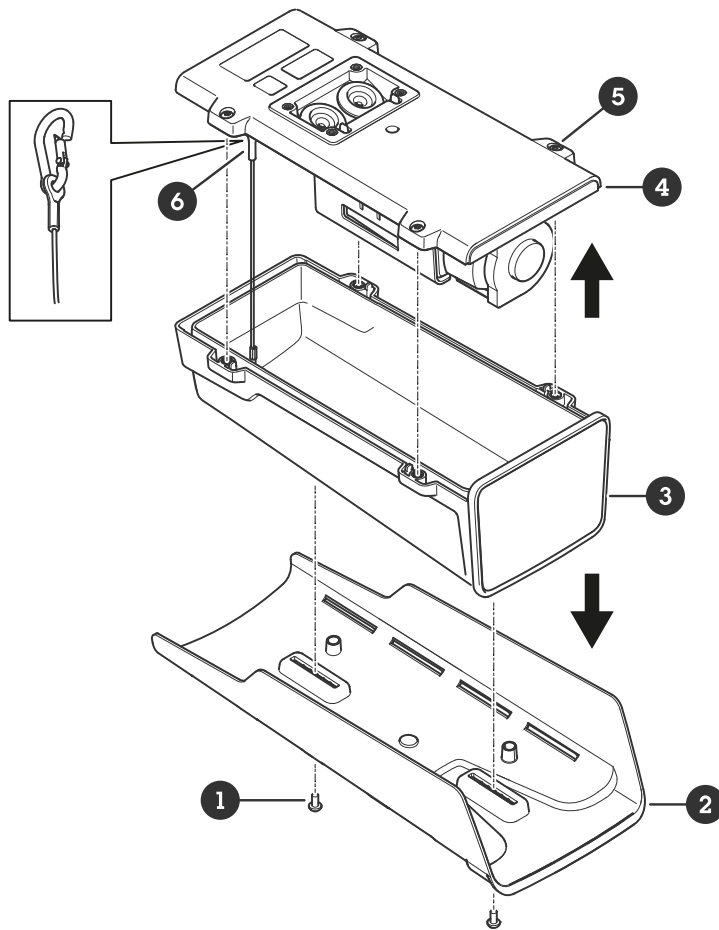
Repaint the product

Repaint the product

Disassembly

Disassemble the housing

1. Loosen the two screws to separate the weathershield from the top cover.
2. Remove the four screws holding the top cover to the bottom chassis.
3. Detach the safety wire.



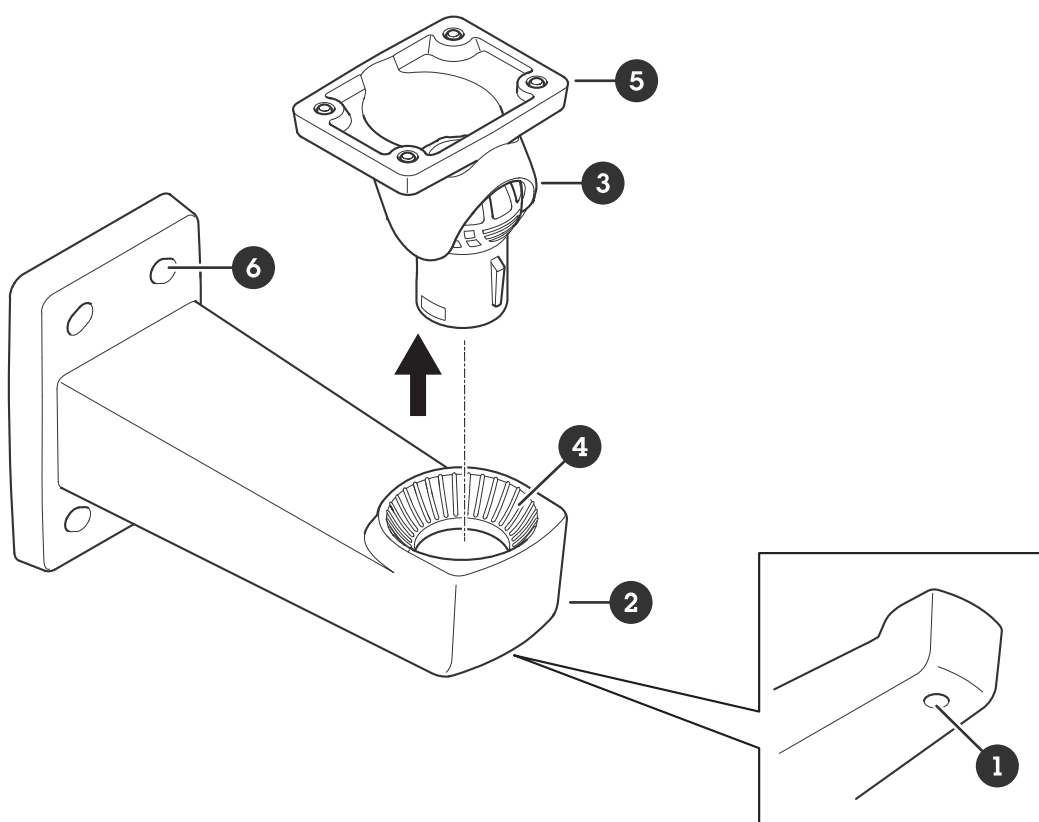
- 1 Screws (2x)
- 2 Weathershield
- 3 Top cover
- 4 Bottom chassis
- 5 Screws (4x)
- 6 Safety wire

AXIS M11 MK II Box Cameras

Repaint the product

Disassemble the wall mount bracket

1. Remove the T30 screw connecting the ball joint to the arm.
2. Remove the ball joint.
3. Remove the 4 screws from the ball joint plate.
4. Remove the 4 screws from the wall mounting plate.



- 1 Screw T30
- 2 Arm
- 3 Ball joint
- 4 Socket
- 5 Screw T20 (4x) ball joint plate
- 6 Screw T20 (4x) wall mounting plate

Preparations

- If applicable, disassemble the device according to the instructions in this document.
- Clean all parts that will be repainted thoroughly to remove grease, dust, or oil.
- To ensure reassembly and functionality of the product, mask any openings (for example for screws, LED indicators, or microphones) before you paint.

AXIS M11 MK II Box Cameras

Repaint the product

Pretreatment of parts

Depending on the part material and type of coating applied at the factory, pretreatment might be necessary for the new coating to adhere well. Before you apply a new coating, we recommend the following pretreatment:

1. If necessary, roughen up the surface with a light sandpaper or similar to increase adhesion. Alternatively, remove the original coating down to the base material.
2. Clean the parts properly to remove oil, grease, and dust.
3. If necessary, apply a primer layer suitable for the specific material, to increase adhesion to the parts. For metal parts on outdoor products, we recommend a primer to improve corrosion resistance.

We recommend pretreatment of parts that are:

- powder-coated
- wet-painted
- anodised
- chromated
- stainless steel
- other metal
- plastic

The AXIS M11-E MK II weathershield is made of plastic (ASA). The top cover and bottom chassis are made of plastic (PBT+PC).

AXIS TQ1003 is made of powder-coated chromate aluminum.

Masking

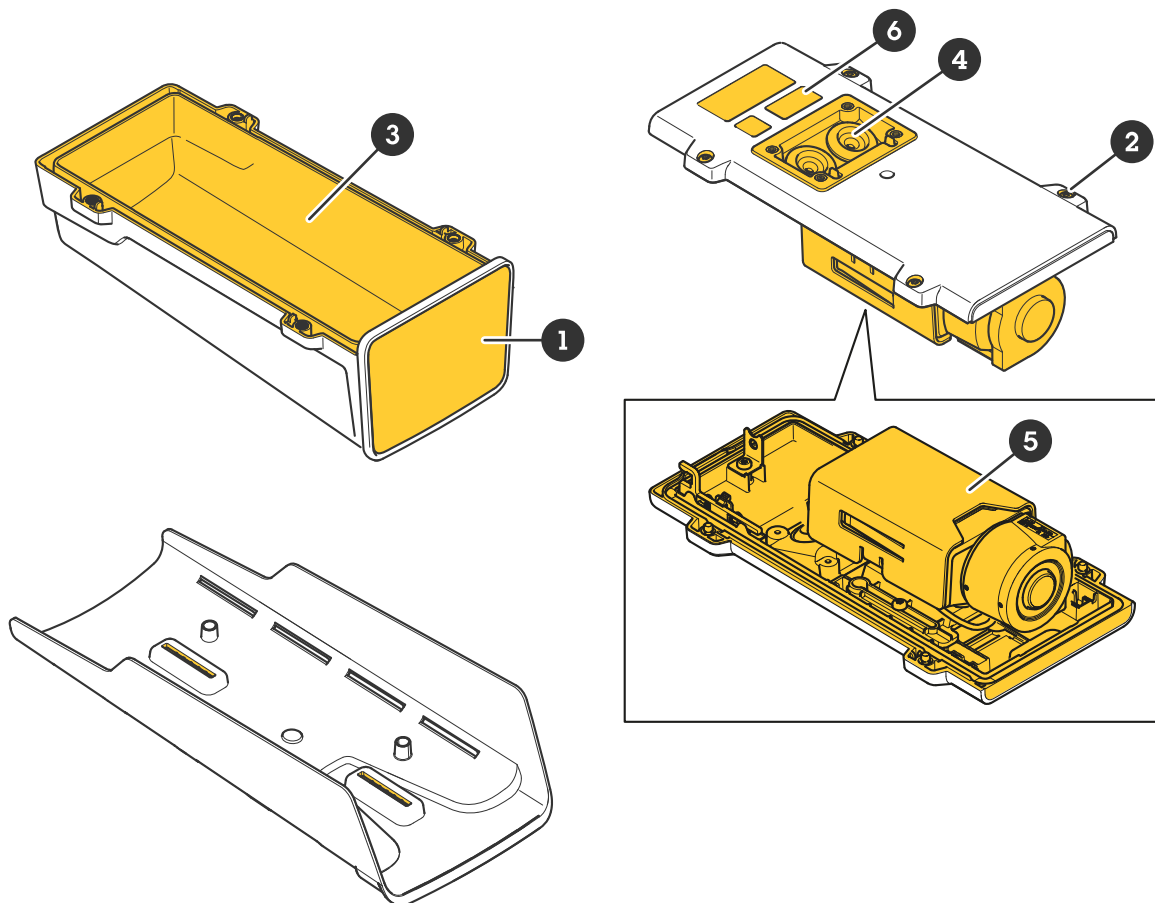
Masking AXIS M11-E

Mask the following items on the housing:

1. The front window.
2. The four threaded screw holes.
3. The top cover interior.
4. The cable glands.
5. Everything on the inside of the bottom chassis
6. The product labels.

AXIS M11 MK II Box Cameras

Repaint the product



- 1 Front window
- 2 Threaded screw holes (4x)
- 3 Top cover interior
- 4 Cable glands
- 5 Inside of bottom chassis
- 6 Product labels

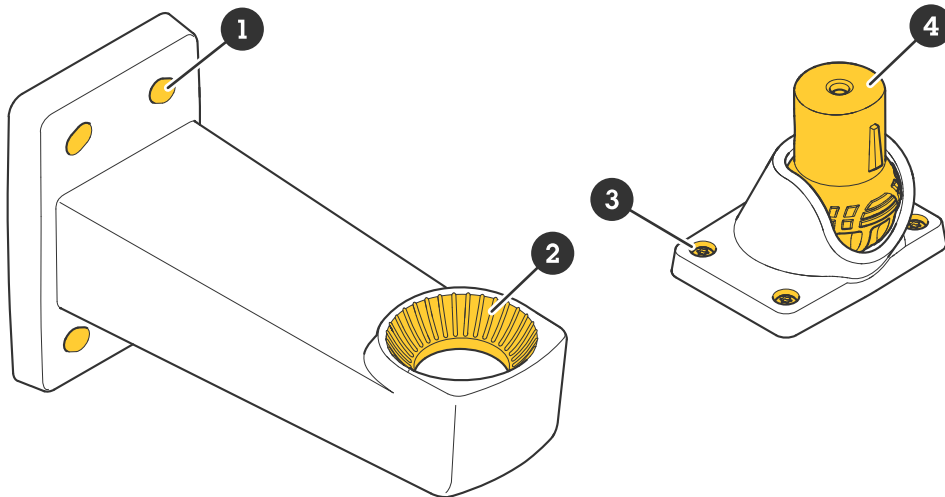
Masking the wall mount bracket

Mask the following parts on the wall mount bracket:

- 1. The four screw holes on the arm
- 2. The socket teeth.
- 3. The four screw holes on the ball joint.
- 4. The ball joint.

AXIS M11 MK II Box Cameras

Repaint the product



- 1 Screw hole (4x)
- 2 Socket teeth
- 3 Screw hole (4x)
- 4 Ball joint

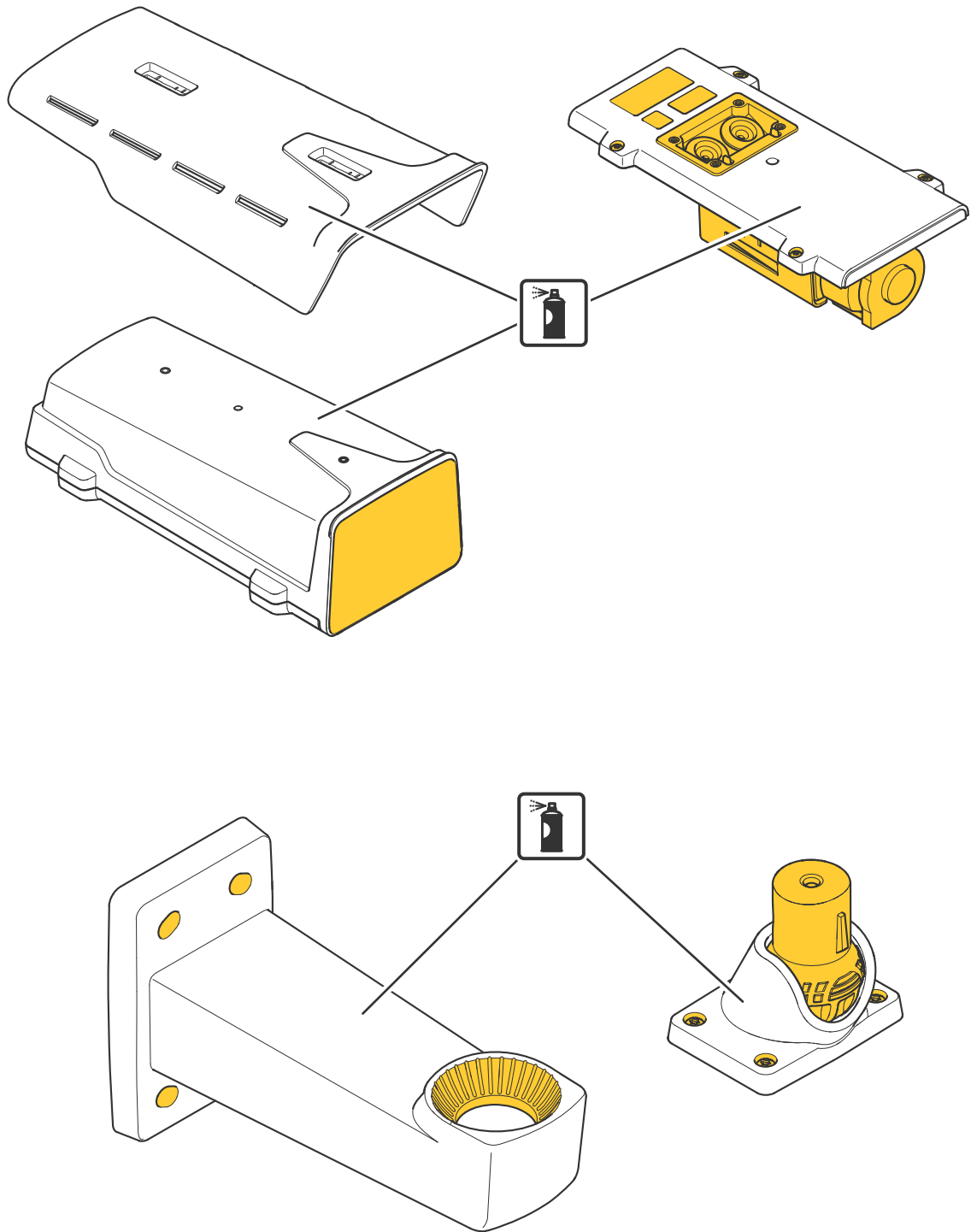
Repainting

Repaint the parts

1. Apply a thin and even layer of spray paint according to the instructions of the paint manufacturer.
2. Let the paint dry.
3. To get a better coverage and clearer color, apply a second layer of spray paint.
4. When the paint is dry, remove the masking and reassemble the product.

AXIS M11 MK II Box Cameras

Repaint the product



AXIS M11 MK II Box Cameras

Repaint the product

Reassembly

Reassemble the product.

For more information, see the Installation Guide available at axis.com

