

AXIS A4130-E Reader

Secure RFID reader for flexible installations

This OSDP reader supports most types of smart RFID card standards with 13.56 MHz, offering secure and seamless touch-free entry. It's easy to install on single gang boxes or mounted on the wall. It's OSDP Secure Profile verified for strong interoperability with Axis and third-party access control systems that support OSDP. It can also be remotely managed by Axis door controllers, allowing you to access new features, configure the device, and apply security updates from anywhere. An EAL6+ Certified Secure Element offers added protection. Furthermore, transparent mode provides secure end-to-end encryption by storing the encryption key on the door controller rather than on the reader.

- > [Perfectly matches Axis door controllers and credentials](#)
- > [IP66, IK07 ratings for use in harsh environments](#)
- > [EAL6+ Certified Secure Element and transparent mode](#)
- > [OSDP secure profile verified for great interoperability](#)



FIPS 140-3 Inside #5139

AXIS A4130-E Reader

RFID reader

Reader technology

13.56 MHz ISO14443-A: MIFARE Classic®, MIFARE Plus®, MIFARE DESFire® EV1, EV2, and EV3

Network protocols

Open supervised device protocol (OSDP)
OSDP Secure Profile verified
Multi-drop

Alarm status indication

RGB LED for user feedback, buzzer

Tampering

Detection type

Built-in tamper switch for detecting both open casing and removal from wall

Approvals

EMC

CISPR 32 Class B, EN 61000-6-1, EN 61000-6-3,
FCC Part 15 Subpart B Class B,
RCM AS/NZS CISPR 32 Class B

Safety

CAN/CSA-C22.2 No. 60950-22,
CAN/CSA C22.2 No. 62368-1, IEC/EN/UL 60950-22,
IEC/EN/UL 62368-1, UL 294, UL 62368-1, UL 60950-22

Environment

IEC 60068-2-1, IEC 60068-2-2, IEC 60068-2-6,
IEC 60068-2-14, IEC 60068-2-27, IEC 60068-2-78,
IEC/EN 60529 IP66, IEC/EN 62262 IK07

Wireless

EN 62311, EN 300330, EN 301489-1, EN 301489-3,
FCC Part 15 Subpart C, RSS-102, RSS-210

Cybersecurity

EN 18031-1

Cybersecurity

Edge security

Software: Signed device software

Hardware: Secure keystore: secure element (CC EAL 6+,
FIPS 140-3 Level 3)

Secure boot

Documentation

Axis Vulnerability Management Policy

Axis Security Development Model

AXIS OS Software Bill of Material (SBOM)

To download documents, go to axis.com/support/cybersecurity/resources

To read more about Axis cybersecurity support, go to axis.com/cybersecurity

General

Casing

IP66 and IK07-rated plastic casing

Hard-coated scratch- and impact-resistant front

Color: black NCS S 9000-N

Mounting

Suitable for single-gang box door installations or any flat surface mounting

Power

Input: 12 V DC

Current consumption: Typical 64 mA @ 12 V, max 108 mA @ 12V

13.56 MHz maximum RF transmit power =
-37.1dBm (ERP)

Connectors

4-pin terminal block for RS485 (A/B) and power (+/-)

Cable requirements

Power: 18–14 AWG (0.13–2.0809 mm²).

Qualified for up to 200 m (656 ft) – 18 AWG

Reader data: 1 twisted pair with shield, 22–14 AWG (0.13–2.0809 mm²), 120 ohm impedance, for A and B

Qualified for up to 1000 m (3281 ft) – 22 AWG

Operating conditions

-40 °C to 65 °C (-40 °F to 149 °F)

Humidity 10–100% RH (condensing)

Storage conditions

-40 °C to 65 °C (-40 °F to 149 °F)

Humidity 5–95% RH (non-condensing)

Dimensions

121 x 85 x 27 mm (4.76 x 3.35 x 1.06 in)

Weight

258 g (9.10 oz)

Warranty

5-year warranty, see axis.com/warranty

Optional accessories

AXIS TA4711 Access Card

AXIS TA4712 Key Fob

AXIS TA4201 Weathershield

Sustainability

Substance control

PVC free

RoHS in accordance with EU RoHS Directive 2011/65/
EU and 2015/863, and standard EN IEC 63000:2018

REACH in accordance with (EC) No 1907/2006. For SCIP
UUID, see echa.europa.eu

Materials

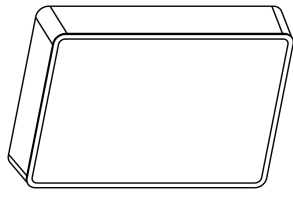
Screened for conflict minerals in accordance with OECD
guidelines

To read more about sustainability at Axis, go to
axis.com/about-axis/sustainability

Environmental responsibility

axis.com/environmental-responsibility

Axis Communications is a signatory of the UN Global
Compact, read more at unglobalcompact.org



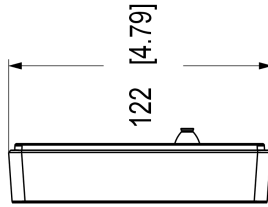
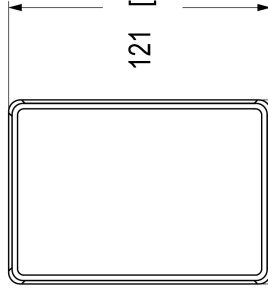
27 [1.07]

7 [0.28]

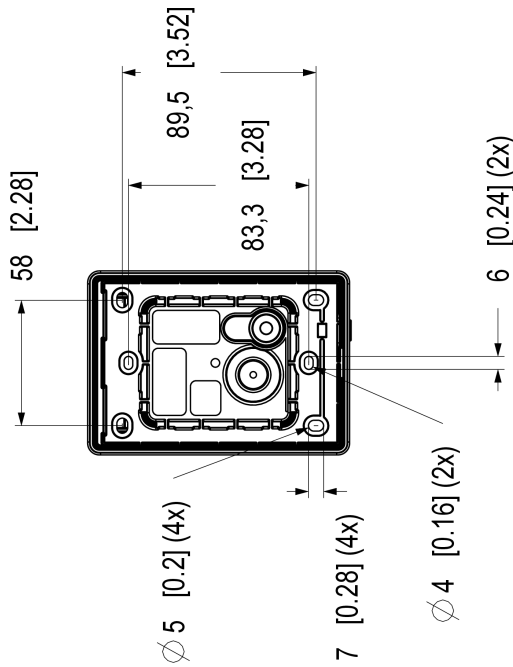
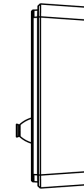


121 [4.76]

85 [3.35]



122 [4.79]



Dimensions in mm [inch]			
Date	Version	Scale	Sheet
2025 Nov-28	M1.2	1:2	1/2
Drawing Number	Size	Sheet	Sheet
3480622	A3	1(1)	1(1)

AXIS A4130-E Reader



© 2025 Axis Communications AB. All rights reserved.