

INSTALLATION GUIDE

AXIS Q60 Series

AXIS Q6042-C PTZ Dome Network Camera

AXIS Q6044-C PTZ Dome Network Camera

AXIS Q6045-C PTZ Dome Network Camera

ENGLISH

FRANÇAIS

DEUTSCH

ITALIANO

ESPAÑOL

日本語

Legal Considerations

Video surveillance can be regulated by laws that vary from country to country. Check the laws in your local region before using this product for surveillance purposes.

This product includes one (1) H.264 decoder license. To purchase further licenses, contact your reseller.

Liability

Every care has been taken in the preparation of this document. Please inform your local Axis office of any inaccuracies or omissions. Axis Communications AB cannot be held responsible for any technical or typographical errors and reserves the right to make changes to the product and manuals without prior notice. Axis Communications AB makes no warranty of any kind with regard to the material contained within this document, including, but not limited to, the implied warranties of merchantability and fitness for a particular purpose. Axis Communications AB shall not be liable nor responsible for incidental or consequential damages in connection with the furnishing, performance or use of this material. This product is only to be used for its intended purpose.

Intellectual Property Rights

Axis AB has intellectual property rights relating to technology embodied in the product described in this document. In particular, and without limitation, these intellectual property rights may include one or more of the patents listed at <http://www.axis.com/patent.htm> and one or more additional patents or pending patent applications in the US and other countries.

This product contains licensed third-party software. See the menu item "About" in the product's user interface for more information.

This product contains source code copyright Apple Computer, Inc., under the terms of Apple Public Source License 2.0 (see <http://www.opensource.apple.com/apsl>). The source code is available from <http://developer.apple.com/darwin/projects/bonjour/>

Equipment Modifications

This equipment must be installed and used in strict accordance with the instructions given in the user documentation. This equipment contains no user-serviceable components. Unauthorized equipment changes or modifications will invalidate all applicable regulatory certifications and approvals.

Trademark Acknowledgments

AXIS COMMUNICATIONS, AXIS, ETRAX, ARTPEC and VAPIX are registered trademarks or trademark applications of Axis AB in various jurisdictions. All other company names and products are trademarks or registered trademarks of their respective companies.

Apple, Boa, Apache, Bonjour, Ethernet, Internet Explorer, Linux, Microsoft, Mozilla, Real, SMPTE, QuickTime, UNIX, Windows, Windows Vista and WWW are registered trademarks of the respective holders. Java and all Java-based trademarks and logos are trademarks or registered trademarks of Oracle and/or its affiliates. UPnP™ is a certification mark of the UPnP™ Implementers Corporation.

SD, SDHC and SDXC are trademarks or registered trademarks of SD-3C, LLC in the United States, other countries or both. Also, miniSD, microSD, miniSDHC, microSDHC, microSDXC are all trademarks or registered trademarks of SD-3C, LLC in the United States, other countries or both.

Support

Should you require any technical assistance, please contact your Axis reseller. If your questions cannot be answered immediately, your reseller will forward your queries through the appropriate channels to ensure a rapid response. If you are connected to the Internet, you can:

- download user documentation and software updates
- find answers to resolved problems in the FAQ database. Search by product, category, or phrase
- report problems to Axis support staff by logging in to your private support area
- chat with Axis support staff (selected countries only)
- visit Axis Support at www.axis.com/techsup/

Learn More!

Visit Axis learning center www.axis.com/academy/ for useful trainings, webinars, tutorials and guides.

Regulatory Information

Europe

CE This product complies with the applicable CE marking directives and harmonized standards:

- Electromagnetic Compatibility (EMC) Directive 2004/108/EC. See *Electromagnetic Compatibility (EMC)*, on page 2.
- Low Voltage (LVD) Directive 2006/95/EC. See *Safety*, on page 3.
- Restrictions of Hazardous Substances (RoHS) Directive 2011/65/EU. See *Disposal and Recycling*, on page 3.

A copy of the original declaration of conformity may be obtained from Axis Communications AB. See *Contact Information*, on page 3.

Electromagnetic Compatibility (EMC)

This equipment has been designed and tested to fulfill applicable standards for:

- Radio frequency emission when installed according to the instructions and used in its intended environment.
- Immunity to electrical and electromagnetic phenomena when installed according to the instructions and used in its intended environment.

USA

This equipment has been tested using a shielded network cable (STP) and found to comply with the limits for a Class A digital device, pursuant to part 15 of the FCC Rules. These limits are designed to provide reasonable protection against harmful interference when the equipment is operated in a commercial environment. This equipment generates, uses, and can radiate radio frequency energy and, if not installed and used in accordance with the instruction manual, may cause harmful interference to radio communications. Operation of this equipment in a residential area is likely to cause harmful interference in which case the user will be required to correct the interference at his own expense.

Canada

This Class A digital apparatus complies with Canadian ICES-003.

Europe

This digital equipment fulfills the requirements for RF emission according to the Class A limit of EN 55022. Notice! This is a Class A product. In a domestic environment this product may cause RF interference, in which case the user may be required to take adequate measures.

This product fulfills the requirements for emissions and immunity according to EN 50121-4 and IEC 62236-4 railway applications.

This product fulfills the requirements for immunity according to EN 61000-6-1 residential, commercial and light-industrial environments.

Tel: +46 46 272 18 00

Fax: +46 46 13 61 30

www.axis.com

This product fulfills the requirements for immunity according to EN 61000-6-2 industrial environments.

This product fulfills the requirements for immunity according to EN 55024 office and commercial environments

Australia/New Zealand

This digital equipment fulfills the requirements for RF emission according to the Class A limit of AS/NZS CISPR 22. Notice! This is a Class A product. In a domestic environment this product may cause RF interference, in which case the user may be required to take adequate measures.

Japan

この装置は、クラスA 情報技術装置です。この装置を家庭環境で使用すると電波妨害を引き起こすことがあります。この場合には使用者が適切な対策を講ずるよう要求されることがあります。

Korea

이 기기는 업무용(A급) 전자파적합기기로서 판매자 또는 사용자는 이 점을 주의하시기 바라며, 가정외의 지역에서 사용하는 것을 목적으로 합니다.

Safety

This product complies with IEC/EN/UL 60950-1 and IEC/EN/UL 60950-22, Safety of Information Technology Equipment.

The power supply used with this product shall fulfill the requirements for Safety Extra Low Voltage (SELV) according to IEC/EN/UL 60950-1.

Disposal and Recycling

When this product has reached the end of its useful life, dispose of it according to local laws and regulations. For information about your nearest designated collection point, contact your local authority responsible for waste disposal. In accordance with local legislation, penalties may be applicable for incorrect disposal of this waste.

Europe



■ This symbol means that the product shall not be disposed of together with household or commercial waste. Directive 2012/19/EU on waste electrical and electronic equipment (WEEE) is applicable in the European Union member states. To prevent potential harm to human health and the environment, the product must be disposed of in an approved and environmentally safe recycling process. For information about your nearest designated collection point, contact your local authority responsible for waste disposal. Businesses should contact the product supplier for information about how to dispose of this product correctly.

This product complies with the requirements of Directive 2011/65/EU on the restriction of the use of certain hazardous substances in electrical and electronic equipment (RoHS).

China



This product complies with the requirements of the legislative act Administration on the Control of Pollution Caused by Electronic Information Products (ACPEIP).

Contact Information

Axis Communications AB
Emdalavägen 14
223 69 Lund
Sweden

Safety Information

Read through this Installation Guide carefully before installing the product. Keep the Installation Guide for future reference.

Hazard Levels

▲DANGER

Indicates a hazardous situation which, if not avoided, will result in death or serious injury.

▲WARNING

Indicates a hazardous situation which, if not avoided, could result in death or serious injury.

▲CAUTION

Indicates a hazardous situation which, if not avoided, could result in minor or moderate injury.

NOTICE

Indicates a situation which, if not avoided, could result in damage to property.

Other Message Levels

Important

Indicates significant information which is essential for the product to function correctly.

Note

Indicates useful information which helps in getting the most out of the product.

Safety Instructions

⚠WARNING

- The Axis product shall be installed by a trained professional.

NOTICE

- The Axis product shall be used in compliance with local laws and regulations.
- Store the Axis product in a dry and ventilated environment.
- Avoid exposing the Axis product to shocks or heavy pressure.
- Do not install the product on unstable brackets, surfaces or walls.
- Use only applicable tools when installing the Axis product. Excessive force could cause damage to the product.
- Do not use chemicals, caustic agents, or aerosol cleaners. Use a clean cloth dampened with pure water for cleaning.
- Use only accessories that comply with technical specification of the product. These can be provided by Axis or a third party.
- Use only spare parts provided by or recommended by Axis.
- Do not attempt to repair the product by yourself. Contact Axis support or your Axis reseller for service matters

Transportation

NOTICE

- Keep the protective packaging. When transporting the Axis product, the protective packaging shall be replaced in its original position.
- When transporting the Axis product, use the original packaging or equivalent to prevent damage to the product.

Battery

The Axis product uses a 3.0 V BR2032 lithium battery as the power supply for its internal real-time clock (RTC). Under normal conditions this battery will last for a minimum of five years.

Low battery power affects the operation of the RTC, causing it to reset at every power-up. A log message will appear when the battery needs replacing.

The battery should not be replaced unless required, but if the battery does need replacing, contact Axis support at www.axis.com/techsup/ for assistance.

⚠WARNING

- Risk of explosion if the battery is incorrectly replaced.
- Replace only with an identical battery or a battery which is recommended by Axis.
- Dispose of used batteries according to local regulations or the battery manufacturer's instructions.

Dome Cover

NOTICE

- Be careful not to scratch, damage or leave fingerprints on the dome cover because this could decrease image quality. If possible, keep the protective plastic on the dome cover until the installation is complete.
- Do not clean a dome cover that looks clean to the eye and never polish the surface. Excessive cleaning could damage the surface.
- For general cleaning of the dome cover it is recommended to use a non-abrasive, solvent-free neutral soap or detergent mixed with pure water and a soft, clean cloth. Rinse well with pure lukewarm water. Dry with a soft, clean cloth to prevent water spotting.
- Never use harsh detergents, gasoline, benzene or acetone etc. and avoid cleaning the dome cover in direct sunlight or at elevated temperatures.

Installation Guide

This Installation Guide provides instructions for installing AXIS Q6042-C, AXIS Q6044-C, or AXIS Q6045-C PTZ Dome Network Camera on your network. For other aspects of using the product, see the User Manual available at www.axis.com

Installation Steps

1. Make sure the package contents, tools and other materials necessary for the installation are in order. See *page 9*.
2. Study the hardware overview. See *page 10*.
3. Study the specifications. See *page 18*.
4. Install the hardware. See *page 22*.
5. Access the product. See *page 32*.

Package Contents

- Q6042-C/Q6044-C/Q6045-C PTZ Dome Network Camera
- Clear dome cover (premounted)
- AXIS T8605 Media converter switch
- Multi-connector cable (IP66), 7 m (23 ft)
- Installation and Management Software CD
- Printed materials
 - Installation Guide (this document)
 - Extra serial number label (2x)
 - AVHS Authentication key

Recommended Tools

- Wire stripping tool
- Phillips screwdriver PH2 – if replacing the dome cover
- Torx screwdriver T20 – for cleaning the outer heat sink when necessary
- Torx screwdriver T30 – for installing the camera on a compatible bracket from AXIS T91A Mounting Accessories and if replacing the dome cover

Optional Accessories

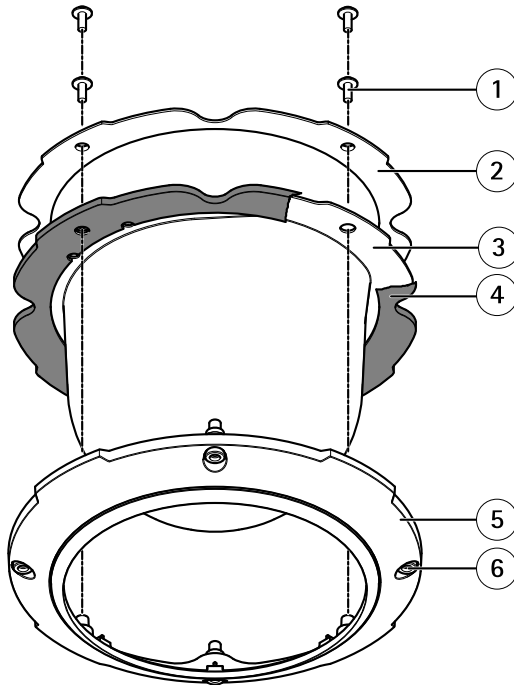
- Smoked dome cover
- Power supply

- AXIS T91A Mounting Accessories

For information about available accessories, see www.axis.com

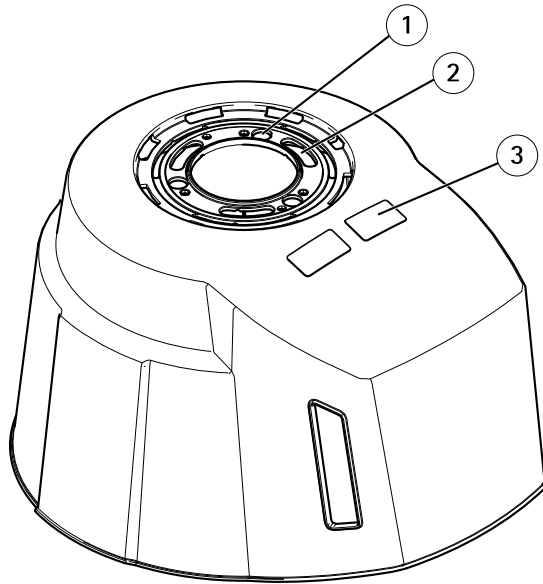
Hardware Overview

Dome Cover



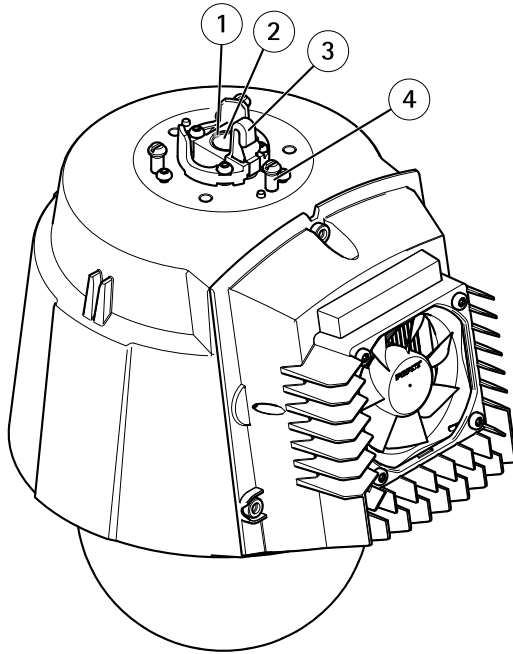
- 1 *Dome bracket screw PH2 (4x)*
- 2 *Dome bracket*
- 3 *Dome cover*
- 4 *Rubber gasket*
- 5 *Dome ring*
- 6 *Dome ring screw T30 (4x)*

Sunshield



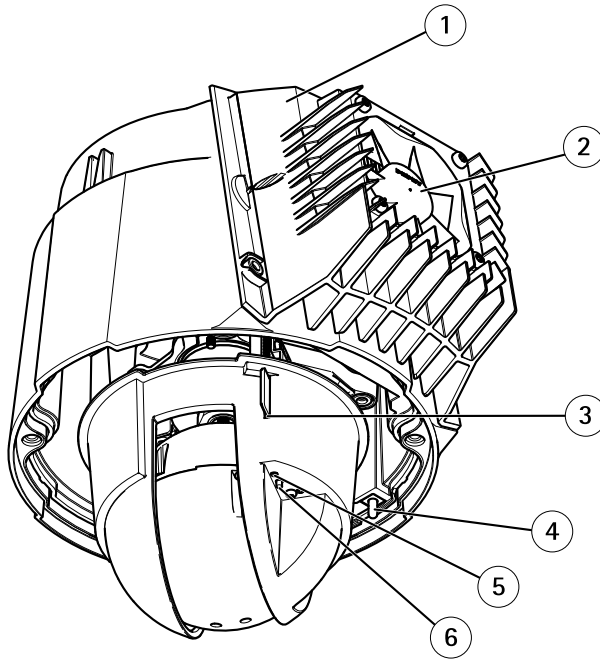
- 1 Screw hole (3x)
- 2 Hole for unit holder (3x)
- 3 Part number (P/N) & Serial number (S/N)

Camera Unit – Top View



- 1 *Alignment indicator*
- 2 *Multi-connector*
- 3 *Hook for safety wire*
- 4 *Unit holder (3x)*

Camera Unit – Bottom View



- 1 Cooling system
- 2 Fan
- 3 SD card slot (SDHC)
- 4 Power button (for Factory Default only)
- 5 Control button
- 6 Status LED indicator

LED Indicators

LED	Color	Indication
Status	Unlit	Connection and normal operation
	Amber	Steady during startup. Flashes during firmware upgrade.
	Amber/red	Flashes amber/red if network connection is unavailable or lost.
	Red	Flashes red for firmware upgrade failure.
	Green	Shows steady green for 10 seconds for normal operation after restart.

Connectors

For specifications and operating conditions, see *page 18*.

SD card slot – A standard or high-capacity SD card (not included) can be used for local recording with removable storage.

NOTICE

To prevent corruption of recordings, the SD card should be unmounted before removal. To unmount, go to **Setup > System Options > Storage > SD Card** and click **Unmount**.

Control button – The control button is used for:

- Resetting the product to factory default settings. See *page 34*.
- Connecting to an AXIS Video Hosting System service or AXIS Internet Dynamic DNS Service. For more information about these services, see the User Manual.

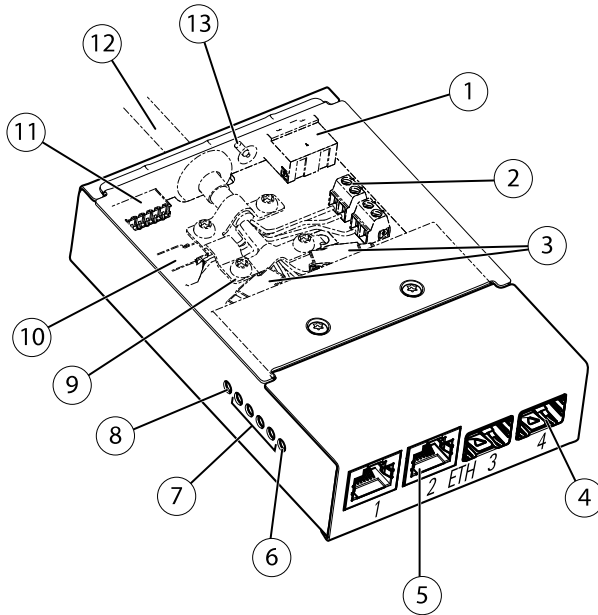
Power button – Press and hold the power button to temporarily power the product when the dome cover is removed. The power button is also used with the control button to reset the camera to factory default settings. See *page 34*.

Multi-connector – Terminal connector for connecting the supplied media converter switch, which provides the following signals:

- DC Power
- Network (Ethernet 10/100Base-T)
- Input/Output (I/O)

The supplied multi-connector cable is required in order to maintain the product's IP rating, see *Multi-Connector Cable, on page 17*.

Media Converter Switch



- 1 Power connector (DC input)
- 2 Power connector (DC output)
- 3 Network connector (internal)
- 4 Network connector SFP (external) (2x)
- 5 Network connector RJ45 (external) (2x)
- 6 Camera LED indicator
- 7 Network LED indicator (4x)
- 8 Power LED indicator
- 9 Ground clip
- 10 I/O connector (internal)
- 11 I/O connector (external)
- 12 Multi-connector cable
- 13 Ground screw

Media Converter Switch Connectors

For specifications, see page 18.

NOTICE

The product shall be connected using a shielded network cable (STP). All cables connecting the product to the switch shall be shielded (STP) and intended for their specific use. Make sure that the switch is properly grounded. See for regulatory requirements.

Important

The media converter switch does not support hotswapping. Disconnect power from the switch before swapping cameras. An attempt to hotswap could cause the switch to freeze, in which case it must be restarted.

Power connector (DC input) – 2-pin terminal block for power input.

Power connector (DC output) – Two 2-pin terminal block for power output (pin 4 is not used).

Network connector RJ45 (external) – Two RJ45 connectors (10/100Base-T) for network connectivity.

Network connector SFP (external) – Two SFP connectors (100Base-FX/1000Base-X) for network connectivity.

Each RJ45 and SFP network connector port has its own dip switch. The dip switches control how the port forwards data. For more information, see the User Manual.

Dip switch position		Description of use
Default (middle)	B	When connecting to the network, directly or through a router or network switch.
Left	A	When connecting to a camera or a device that is not intended for viewing data.
Right	C	When connecting to another media converter switch.

Network connector (internal) – Two 2-pin Ethernet terminal blocks.

I/O connector (external) – 6-pin configurable I/O terminal block, which is connected to the camera through the multi-connector cable. Use with external devices in combination with, for example, tampering alarms, motion detection, event triggering, time lapse recording and alarm notifications. In addition to ground and power (DC output), the I/O terminal connector provides the interface to:

- **Digital output** – For connecting external devices such as relays and LEDs. Connected devices can be activated by the VAPIX® Application Programming Interface, output buttons on the Live View page or by an Action Rule. The output will show as active (shown under **System Options > Port & Devices > Port Status**) if the alarm device is activated.

- **Digital input** – An alarm input for connecting devices that can toggle between an open and closed circuit, for example: PIRs, door/window contacts, glass break detectors, etc. When a signal is received the state changes and the input becomes active (shown under **System Options > Port & Devices > Port Status**).

I/O connector (internal) – 2-pin I/O terminal block.

Media Converter Switch LED Indicators

LED	Color	Indication
Power	Unlit	DC power unconnected or current protection engaged (power overload)
	Green	DC power connected.
Network (4x)	Amber	10 Mbit connection. Flashes during activity.
	Green	100/1000 Mbit connection. Flashes during activity.
Camera	Green	100 Mbit connection. Flashes during activity.

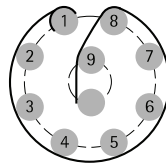
Multi-Connector Cable

The supplied multi-connector cable is required in order to maintain the camera's IP rating.

Connect the multi-connector cable to the camera's multi-connector and to the connectors in the supplied media converter switch, see *page 10*.

The cable provides the following signals:

- DC power
- Network (Ethernet 10/100Base-T)
- Input/Output (I/O)



Function	Pin – wire	Notes	Specifications
Configurable (Input or Output)	2 – blue	Digital input – Connect to GND to activate, or leave floating (unconnected) to deactivate.	0 to +30 V DC
	7 – yellow	Digital output – Internal connection to ground when activated, floating (unconnected) when deactivated. If used with an external relay, a diode must be connected in parallel with the load, for protection against voltage transients.	Max load = 100 mA Max voltage = +30 V DC
RX+	3 – green/white	Ethernet – receiving	
RX-	4 – green	Ethernet – receiving	
TX+	5 – orange/white	Ethernet – transmitting	
TX-	6 – orange	Ethernet – transmitting	
GND	8 – black	Ground	
12 V power	1, 9 – red	Used to power camera	12–13.2 V DC Max load = 6 A

Specifications

Operating Conditions

The Axis product is intended for outdoor use.

Classification	
AXIS Q6042-C/Q6044-C/Q6045-C	IEC 60721-3-4 Class 4K4H, 4M4 IEC 60529 IP66 NEMA 250 Type 4x MIL-STD 810G 500.5, 501.5, 502.5, 503.5, 505.5, 506.5, 507.5, 509.5, 510.5 ¹ , 514.6

1. Protected against entry of sand and dust. Clear/smoked dome cover may need to be replaced if exposed to sandblasts.

Temperature	
AXIS Q6042-C/Q6044-C/Q6045-C	-20 °C to 75 °C (-4 °F to 167 °F) with active cooling
Humidity	
AXIS Q6042-C/Q6044-C/Q6045-C	10–100% RH (non-condensing)

Storage Conditions

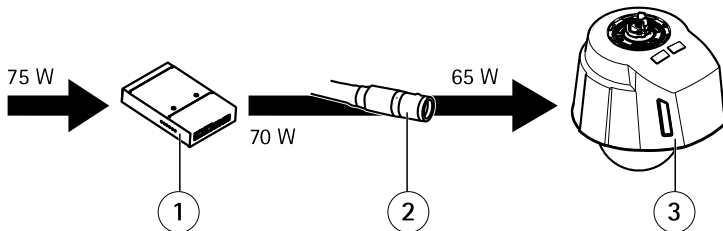
Temperature	
AXIS Q6042-C/Q6044-C/Q6045-C	-20 °C to 75 °C (-4 °F to 167 °F)

Electrical Specifications

NOTICE

For confirmed compliance with the requirements for Safety Extra Low Voltage (SELV) and Limited Power Source (LPS), use the power supply (sold separately) recommended by Axis. For information about compatible power accessories, see www.axis.com

Product	Function	Description
Network camera	Input power	65 W (min)
Media converter switch	Input voltage	12.0–13.2 V DC
	Input current	6.25 A (min)
	Input power	75 W (min)
	Available output power	70 W (min)
	Nominal output voltage	12.5 V DC



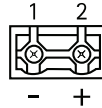
- 1 Media converter switch
- 2 Multi-connector cable

3 Network camera

Media Converter Switch Connectors

Power connector (DC input)

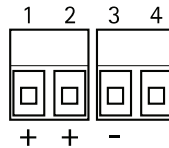
2-pin terminal block for power input.



Function		Pin	Notes	Specifications
DC input	GND	1	Ground	
	12 V DC	2	Power in from power supply (sold separately)	Max load = 7 A 12.0–13.2 V DC, min 75 W

Power connector (DC output)

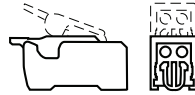
Two 2-pin terminal blocks for power output (pin 4 is not used).



Function		Pin	Notes	Specifications
DC output	12 V DC	1, 2	Power out to camera	Max load = 6.5 A 12.0–13.2 V DC, min 70 W
	GND	3	Ground	
	N/a	4	N/a	

Network connector (internal)

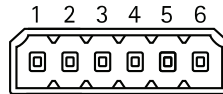
Two 2-pin Ethernet terminal blocks.



I/O terminal connector (external)

6-pin terminal blocks for:

- Digital Input/Output
- Power (DC output)
- Ground (GND)



Function	Pin	Notes	Specifications
GND	1, 4, 6	Ground	
DC output	2	Power out	12 V DC, 50 mA
Configurable I/O 1 (Input or Output)	3	Digital input	0 to +30 V DC
		Digital output (transistor – open collector)	Max load = 100 mA Max voltage = +30 V DC
Configurable I/O 2 (Input or Output)	5	Digital input	0 to +30 V DC
		Digital output (transistor – open collector)	Max load = 100 mA Max voltage = +30 V DC

I/O terminal connector (internal)

2-pin terminal block.



Install the Hardware

NOTICE

- The product shall be connected using a shielded network cable (STP). All cables connecting the product to the switch shall be shielded (STP) and intended for their specific use. Make sure that the switch is properly grounded. For information about regulatory requirements, see *Regulatory Information, on page 2*.
- The product has a dehumidifying membrane for maintaining low humidity levels inside the dome. To avoid condensation, do not disassemble the product in rain or damp conditions.
- Be careful not to scratch, damage or leave fingerprints on the dome cover because this could decrease image quality. If possible, keep the protective plastic on the dome cover until the installation is complete.

The Axis product can be installed with the cables routed through or along the wall or roof.

In areas where the temperature is above 60 °C (140 °F), the product shall be placed in a restricted access location.

Read all the instructions before installing the product. Some installation steps would benefit from being completed together because they require removal of the dome cover.

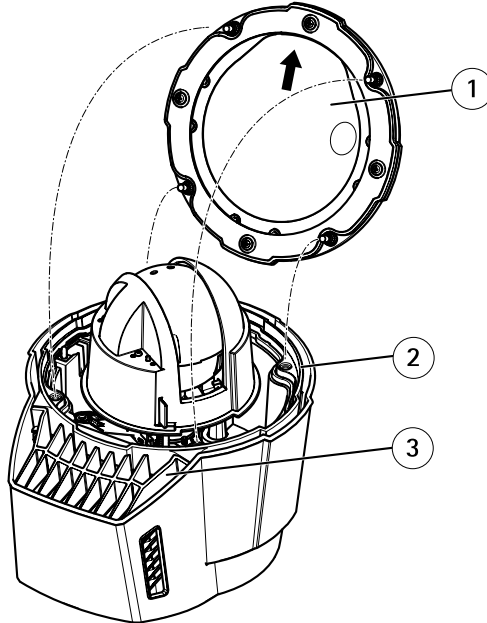
- Remove the protective packaging between the camera and the sunshield before installing the camera.
- A smoked dome cover can be purchased from your Axis reseller. To replace the dome cover, see *page 22*.
- A standard or high capacity SD card (not included) can be used to store recordings locally in the product. To install an SD card, see *page 23*.
- To install the power supply (sold separately) and the supplied media converter switch, see *page 24*.
- To install the network camera using a compatible bracket from AXIS T91A Mounting Accessories (sold separately), see *Install the Network Camera*.

Replace the Dome Cover

Replacing the dome cover is only necessary if you want to use a smoked dome cover or if the dome cover is scratched or damaged. Smoked dome covers and spare clear dome covers can be purchased from your Axis reseller.

1. Loosen the dome ring screws and remove the dome cover.
2. Remove the dome bracket screws and remove the dome bracket and the dome cover from the dome ring.
3. Make sure the rubber gasket is fitted correctly on the dome cover.
4. Align the bulge on the dome cover with one of the logotypes on the dome ring.

5. Attach the dome bracket and the dome cover to the dome ring and tighten the screws (torque 1.2 Nm).
6. To install an SD card (not included), see *Install an SD Card*, on page 23.
7. To attach the dome cover to the top cover, align the bulge on the dome cover with the cooling system on the camera unit and tighten the screws (torque 1.5 Nm).



- 1 Dome cover
- 2 Top cover
- 3 Cooling system

Install an SD Card

It is optional to install a standard or high capacity SD card (not included), which can be used for local recording with removable storage.

1. Loosen the dome ring screws and remove the dome cover.
2. Insert an SD card (not included) into the SD card slot.
3. To attach the dome cover to the top cover, align the bulge on the dome cover with the cooling system on the camera unit and tighten the screws (torque 1.5 Nm).

NOTICE

To prevent corruption of recordings, the SD card should be unmounted before it is ejected. To unmount, go to **Setup > System Options > Storage > SD Card** and click **Unmount**.

Install the Power Supply and the Media Converter Switch

The supplied media converter switch enables the multi-connector cable to send power from the power supply (sold separately) and to send and receive data to and from external alarm devices and the network.

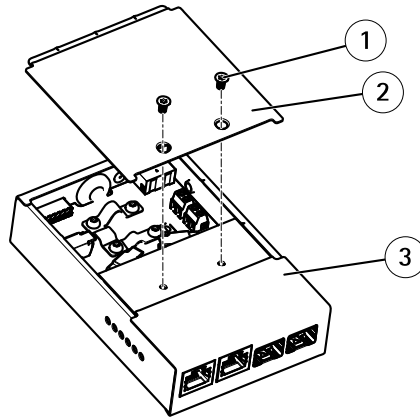
NOTICE

- Make sure the connections to the mains supply and conduits have been installed by a trained professional, according to the manufacturer's instructions and in compliance with local regulations.
- The power supply (sold separately) and the media converter switch shall be installed in an environment protected against dust and water, for example indoors or in an appropriate cabinet.
- The product shall be connected using a shielded network cable (STP). All cables connecting the product to the switch shall be shielded (STP) and intended for their specific use. Make sure that the switch is properly grounded. For information about regulatory requirements, see *Regulatory Information, on page 2*.

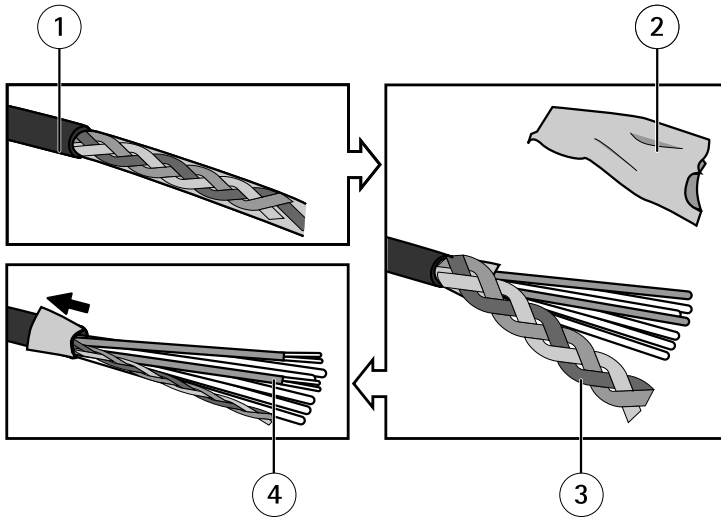
Important

Axis can only guarantee full functionality with the supplied media converter switch. No other devices are supported.

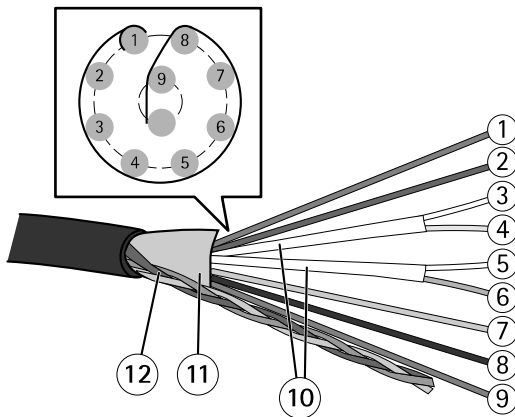
1. Make sure the mains supply is switched off.
2. Mount the power supply and the media converter switch on the wall or, if applicable, attach them to a DIN rail in the cabinet. If drilling is required, make sure to use drill bits, screws, and plugs that are appropriate for the material.
3. Loosen the screws and remove the cover from the media converter switch.



- 1 Screw (2x)
 - 2 Cover
 - 3 Media converter switch
-
4. Strip off 40 mm (1.57 in) of the multi-connector cable jacket.
 5. Leave the braided shield intact, but cut off 30 mm (1.18 in) of the outer foil shield.
 6. Fold back the leftover outer foil shield and twist the braided shield into a coil.
 7. Cut off about 7–8 mm (0.27–0.32 in) of the Ethernet wire foil shields.
 8. Strip off about 7–8 mm (0.27–0.32 in) of all the wire jackets.



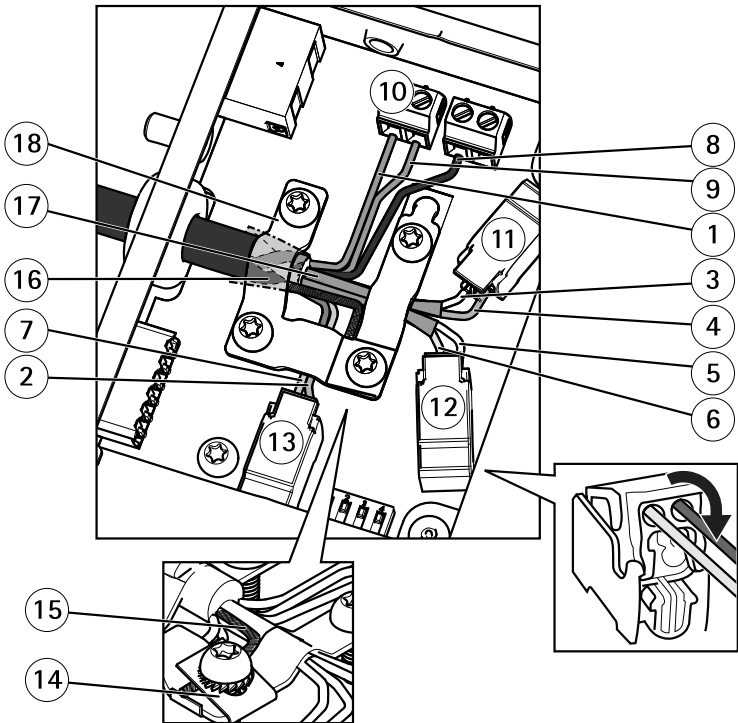
- 1 Multi-connector cable jacket
- 2 Outer foil shield
- 3 Braided shield
- 4 Ethernet wire foil shield (2x)



- 1 Power wire (red)
- 2 Digital I/O wire (blue)
- 3 Ethernet wire (green/white)
- 4 Ethernet wire (green)
- 5 Ethernet wire (orange/white)

- 6 Ethernet wire (orange)
- 7 Digital I/O wire (yellow)
- 8 Ground wire (black)
- 9 Power wire (red)
- 10 Ethernet wire foil shield (2x)
- 11 Outer foil shield
- 12 Braided shield coil

- 9. Connect the network and I/O wires to the internal network and I/O connectors. Open the lid, insert the wires and close.
- 10. Connect the ground and power wires to the power connector (DC output).



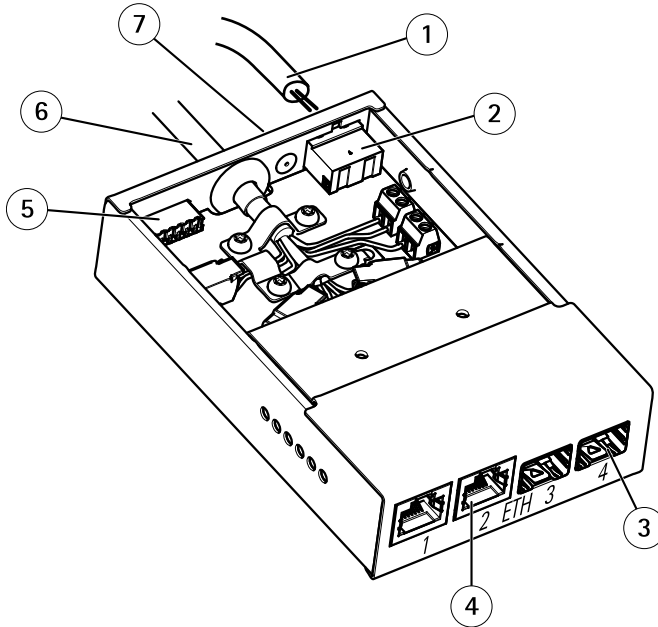
- 1 Power wire (red)
- 2 Digital I/O wire (blue)
- 3 Ethernet wire (green/white)
- 4 Ethernet wire (green)
- 5 Ethernet wire (orange/white)

- 6 *Ethernet wire (orange)*
- 7 *Digital I/O wire (yellow)*
- 8 *Ground wire (black)*
- 9 *Power wire (red)*
- 10 *Power connector (DC output)*
- 11 *Ethernet connector (internal)*
- 12 *Ethernet connector (internal)*
- 13 *I/O connector (internal)*
- 14 *Ground clip*
- 15 *Braided shield coil*
- 16 *Outer foil shield*
- 17 *Ethernet wire shield (2x)*
- 18 *Clamp*

11. Make sure the clamp is in place, insert the braided shield coil into the ground clip and tighten the screws.

NOTICE

- The shields and the clamp surfaces shall be in full contact with each other so that the multi-connector cable is grounded.
 - Make sure all surfaces and contacts are clean and free from scrap shield material.
12. Connect the network cables to the external network connectors (RJ45, SFP) as required.

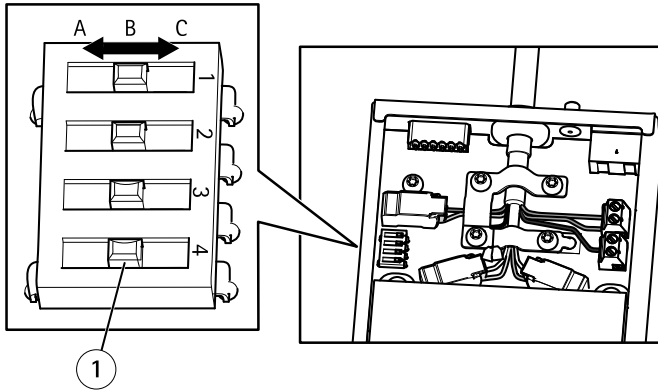


- 1 Power cable (DC input)
- 2 Power connector (DC input)
- 3 Network connector SFP (external) (2x)
- 4 Network connector RJ45 (external) (2x)
- 5 I/O connector (external)
- 6 Multi-connector cable IP66
- 7 Ground screw

- 13. If applicable, connect an I/O device to the external I/O connector.
- 14. Connect the power cable (DC input) to the power connector (DC input)
- 15. Attach the ground wire to the ground screw.
- 16. If connecting several media converter switches in a daisy chain, set the dip switch of each outgoing network connector port that connects to another media converter switch to position C.
 Leave the dip switch in its default position (position B) when connecting the port directly to the network. For more information, see *Media Converter Switch Connectors*, on page 15 and the User Manual.

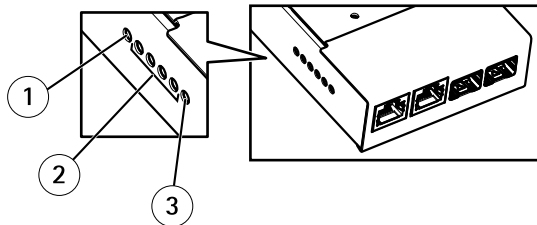
Important

If the system is not defined, use the default dip switch setting (position B).



1 Dip switch (4x)

17. Attach the cover to the media converter switch.
18. Switch on the mains supply.
19. Make sure the LED indicators on the media converter switch indicate the correct conditions. For more information, see *Media Converter Switch LED Indicators*, on page 17.



- 1 Power LED indicator
- 2 Network LED indicator (4x) ETH 1/2/3/4
- 3 Camera LED indicator

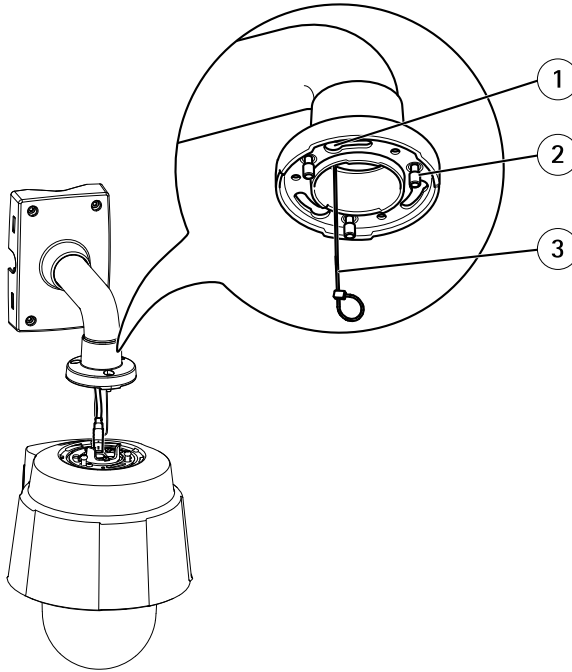
Install the Network Camera

NOTICE

To comply with the IP66-rated design of the camera and maintain the IP66 protection, the supplied multi-connector cable shall be used.

1. Install the selected bracket (sold separately) according to the instructions supplied with the bracket. If drilling is required, make sure to use drill bits, screws, and plugs that are appropriate for the material. See www.axis.com for information on available mounting accessories.

2. Route the multi-connector cable through the holes in the mounting bracket.
3. Secure the camera using the supplied safety wire.



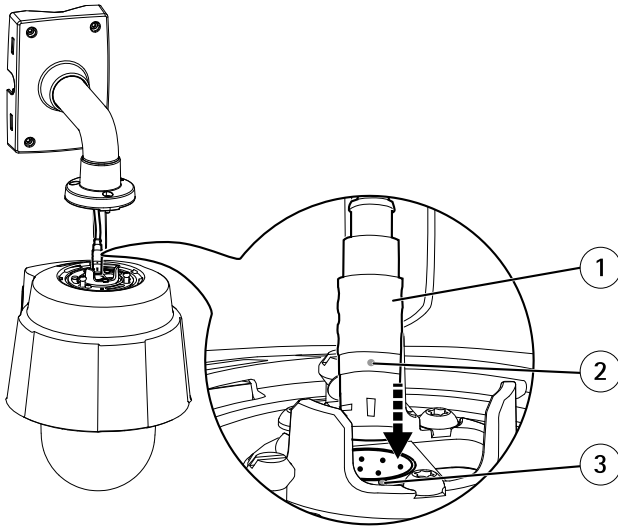
Mounting example (wall bracket sold separately)

- 1 Slot for unit holders (3x)
- 2 Screw T30 (2x)
- 3 Safety wire

4. Remove the protection cap covering the multi-connector on the camera.
5. Connect the multi-connector cable to the connector on the camera. Use the alignment indicators to find the correct position.

NOTICE

Be careful not to damage the multi-connector cable when connecting it.



Mounting example (wall bracket sold separately)

- 1 *Multi-connector cable*
 - 2 *Alignment indicator – multi-connector cable*
 - 3 *Alignment indicator – camera*
6. Slide the unit holders on the camera into the slots in the mounting bracket and rotate the camera unit.
 7. Secure the network camera to the mounting bracket by tightening the screws.

Access the Product

Use the tools provided on the Installation and Management Software CD to assign an IP address, set the password and access the video stream. This information is also available from the support pages on www.axis.com/techsup/

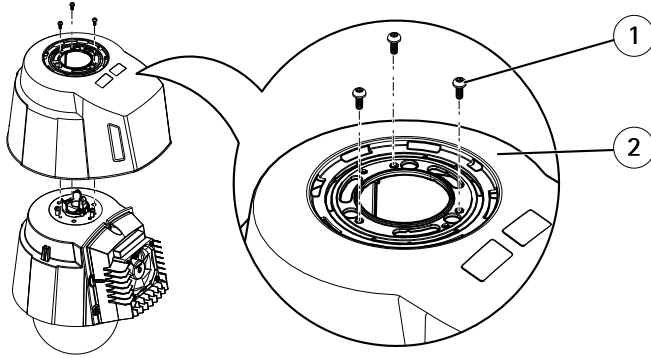
Clean the Outer Heat Sink

Dust and particle buildup could affect the performance of the cooling system. To maintain the performance level, the outer heat sink in the camera's cooling system may need occasional or regular cleaning.

CAUTION

The heat sink could be hot. Be careful when touching the heat sink and the heat sink cover. If required, let the camera cool before touching it.

1. Disconnect the multi-connector cable.
2. Loosen the screws and remove the sunshield.

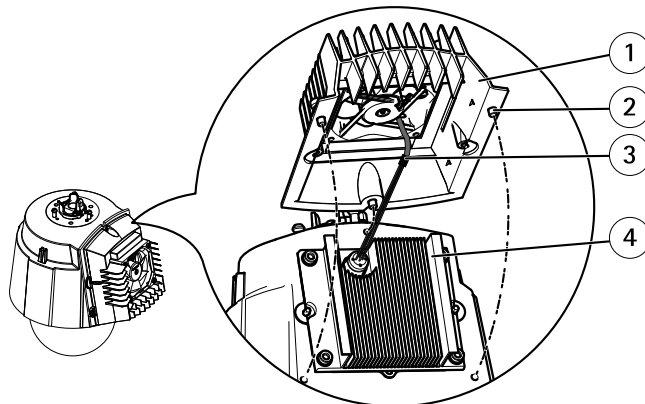


- 1 Screw T20 (3x)
- 2 Sunshield

3. Remove the screws (Torx T30) and lift the heat sink cover.

NOTICE

Do not strain the fan cables or let the heat sink cover hang by the fan cables.



- 1 Heat sink cover

- 2 Screw T30 (3x)
 - 3 Fan cables
 - 4 Heat sink
4. Remove dust and specks of dirt by blowing on the heat sink, for example by using a small air compressor or a can of compressed air. The heat sink may also be rinsed with pure water.
 5. Put the heat sink cover back in its original position and tighten the screws (torque 2.4 \pm 0.2 Nm).
 6. Put the sunshield back in its original position and tighten the screws (torque 1.2 \pm 0.1 Nm).
 7. Connect the multi-connector cable to the connector on the camera.

Reset to Factory Default Settings

Important

Reset to factory default should be used with caution. A reset to factory default will reset all settings, including the IP address, to the factory default values.

Note

The installation and management software tools are available on the CD supplied with the product and from the support pages on www.axis.com/techsup

To reset the product to the factory default settings:

1. Press and hold the control button and the power button for about 15–30 seconds until the status LED indicator flashes amber. See *Hardware Overview*, on page 10.
2. Release the control button but continue to hold down the power button until the status LED indicator turns green.
3. Release the power button and assemble the product.
4. The process is now complete. The product has been reset to the factory default settings. If no DHCP server is available on the network, the default IP address is 192.168.0.90
5. Using the installation and management software tools, assign an IP address, set the password and access the video stream.

It is also possible to reset parameters to factory default via the web interface. Go to **Setup > System Options > Maintenance**.

Further Information

The User Manual is available at www.axis.com

Visit www.axis.com/techsup to check if there is updated firmware available for your network product. To see the currently installed firmware version, go to **Setup > About**.

Visit Axis learning center www.axis.com/academy for useful trainings, webinars, tutorials and guides.

Warranty Information

For information about Axis' product warranty and thereto related information, see www.axis.com/warranty/

Informations sur la sécurité

Lisez attentivement ce guide d'installation avant d'installer l'appareil. Conservez le Guide d'installation pour référence ultérieure.

Niveaux de risques

▲ DANGER

Indique une situation dangereuse qui, si elle n'est pas évitée, entraînera le décès ou les blessures graves.

▲ AVERTISSEMENT

Indique une situation dangereuse qui, si elle n'est pas évitée, pourrait entraîner le décès ou les blessures graves.

▲ ATTENTION

Indique une situation dangereuse qui, si elle n'est pas évitée, pourrait entraîner les blessures légères ou modérées.

AVIS

Indique une situation qui, si elle n'est pas évitée, pourrait entraîner des dommages à l'appareil.

Autres niveaux de message

Important

Indique les informations importantes, nécessaires pour assurer le bon fonctionnement de l'appareil.

Note

Indique les informations utiles qui permettront d'obtenir le plein potentiel de l'appareil.

Consignes de sécurité

⚠️ AVERTISSEMENT

- Le produit Axis doit être installé par un professionnel formé.

AVIS

- Le produit Axis doit être utilisé conformément aux lois et dispositions locales en vigueur.
- Conserver ce produit Axis dans un environnement sec et ventilé.
- Ne pas exposer ce produit Axis aux chocs ou aux fortes pressions.
- Ne pas installer ce produit sur des supports, surfaces ou murs instables.
- Utiliser uniquement des outils recommandés pour l'installation de l'appareil Axis. Une force excessive appliquée sur l'appareil pourrait l'endommager.
- Ne pas utiliser de produits chimiques, de substances caustiques ou de nettoyeurs pressurisés. Utiliser un chiffon propre imbibé d'eau pure pour le nettoyage.
- Utiliser uniquement des accessoires conformes aux caractéristiques techniques du produit. Ils peuvent être fournis par Axis ou un tiers.
- Utiliser uniquement les pièces de rechange fournies ou recommandées par Axis.
- Ne pas essayer de réparer ce produit par vous-même. Contacter l'assistance technique d'Axis ou votre revendeur Axis pour les problèmes d'entretien

Transport

AVIS

- Conservez l'emballage de protection. Lors du transport du produit Axis, l'emballage de protection doit être remis dans sa position d'origine.
- Lors du transport du produit Axis, utilisez l'emballage d'origine ou l'équivalent pour éviter d'endommager le produit.

Batterie

Le produit Axis utilise une batterie au lithium BR2032 3,0 V comme alimentation de son horloge en temps réel interne (RTC). Dans des conditions normales, cette batterie a une durée de vie minimale de cinq ans.

Une batterie faible affecte le fonctionnement du RTC, entraînant sa réinitialisation à chaque mise sous tension. Un message de journal apparaît lorsque la batterie doit être remplacée.

La batterie doit être remplacée uniquement en cas de besoin, et pour le faire, contactez l'assistance technique d'Axis à l'adresse www.axis.com/techsup/ pour obtenir de l'aide.

⚠AVERTISSEMENT

- Risque d'explosion si la batterie est remplacée de façon incorrecte.
- Remplacez-la uniquement par une batterie identique ou une batterie recommandée par Axis.
- Mettez au rebut les piles usagées conformément aux réglementations locales ou aux instructions du fabricant de la batterie.

Couvercle de dôme

AVIS

- Veillez à ne pas rayer, endommager ou laisser d'empreintes sur le couvercle du dôme car cela pourrait altérer la qualité d'image. Laissez, si possible, la protection en plastique sur le couvercle du dôme jusqu'à la fin de l'installation.
- Ne nettoyez pas le couvercle du dôme s'il semble propre à l'œil nu et ne frottez jamais sa surface. Un nettoyage excessif pourrait endommager la surface.
- Pour le nettoyage général du couvercle du dôme, il est recommandé d'utiliser un produit non abrasif, un savon neutre sans solvant ou un détergent mélangé avec de l'eau pure et un chiffon doux propre. Rincez bien à l'eau tiède pure. Séchez avec un chiffon doux et propre pour éviter les tâches d'eau.
- N'utilisez jamais de détergents agressifs, d'essence, de benzène ou d'acétone, etc. et évitez toute exposition directe aux rayons du soleil ou à des températures élevées lors du nettoyage.

Guide d'installation

Ce Guide d'installation fournit des instructions pour l'installation de la caméra dôme réseau AXIS Q6042-C, AXIS Q6044-C ou AXIS Q6045-C sur votre réseau. Pour toute autre information relative à l'utilisation du produit, reportez-vous au manuel de l'utilisateur disponible sur le site www.axis.com

Procédures d'installation

1. Assurez-vous que le contenu de l'emballage, les outils et autres matériels nécessaires à l'installation sont dans l'ordre. Cf. *la page 41*.
2. Étudiez la description du matériel. Cf. *la page 42*.
3. Étudiez les caractéristiques. Cf. *la page 50*.
4. Installez le matériel. Cf. *la page 54*.
5. Utilisez le produit. Cf. *la page 64*.

Contenu de l'emballage

- Caméra dôme réseau PTZ Q6042-C/Q6044-C/Q6045-C
- Couverture de dôme non fumé (prémonté)
- Commutateur de convertisseur de média AXIS T8605
- Câble multiconnecteurs (IP66), 7 m (23 pi.)
- CD d'installation et de gestion
- Documents imprimés
 - Guide d'installation (ce document)
 - Étiquette supplémentaire reprenant le numéro de série (x2)
 - Clé d'authentification AVHS

Outils recommandés

- Outil de dénudage de câble
- Tournevis Phillips PH2, en cas de remplacement du couvercle de dôme
- Tournevis Torx T20, pour nettoyer le dissipateur de chaleur externe, si nécessaire
- Tournevis Torx T30, pour installer la caméra réseau sur un support compatible à partir des accessoires de montage AXIS T91A et en cas de remplacement du couvercle de dôme

Accessoires en option

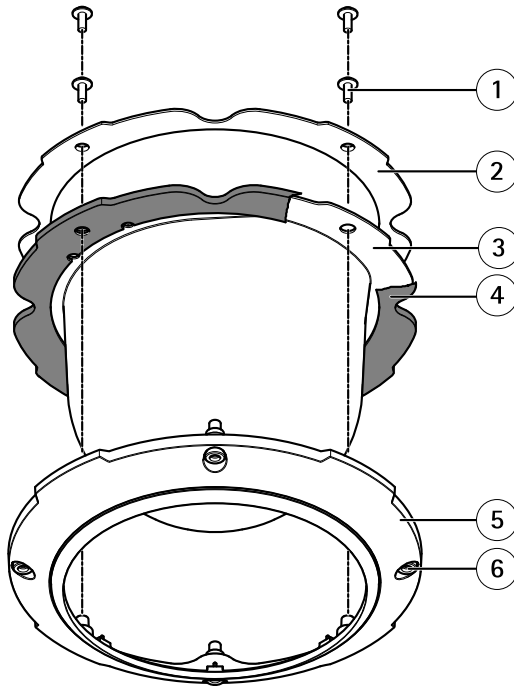
- Couvercle de dôme fumé

- Alimentation
- Accessoires de montage AXIS T91A

Pour plus d'informations sur les accessoires disponibles, consultez le site www.axis.com

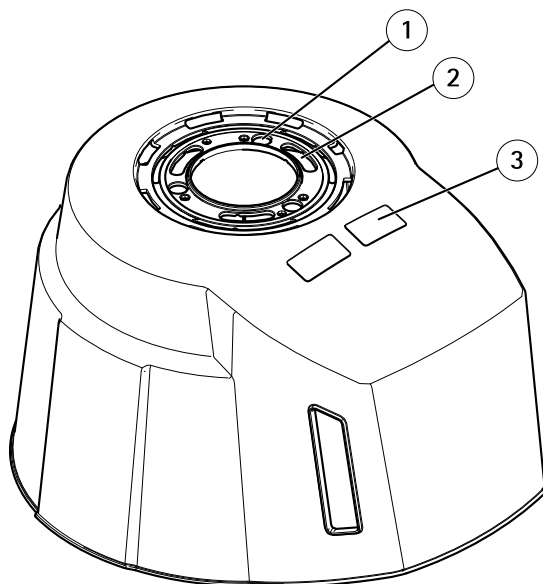
Présentation du matériel

Couvercle de dôme



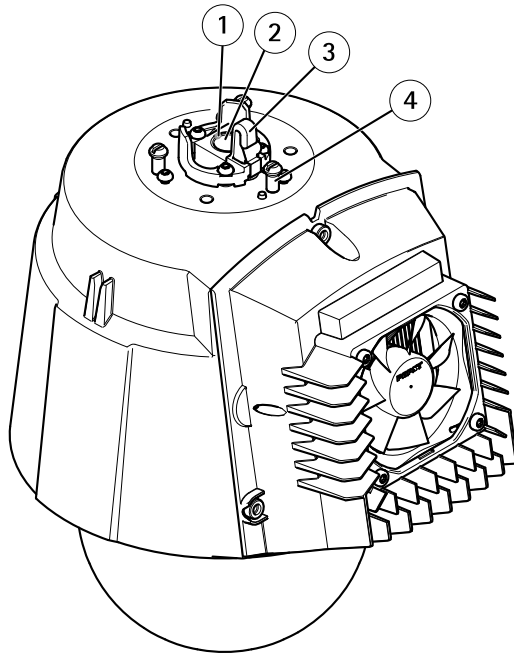
- 1 *Vis du support pour caméra dôme PH2 (x4)*
- 2 *Support pour caméra dôme*
- 3 *Couvercle de dôme*
- 4 *Joint en caoutchouc*
- 5 *Garniture pour caméra dôme*
- 6 *Vis de la garniture pour caméra dôme T30 (x4)*

Pare-soleil



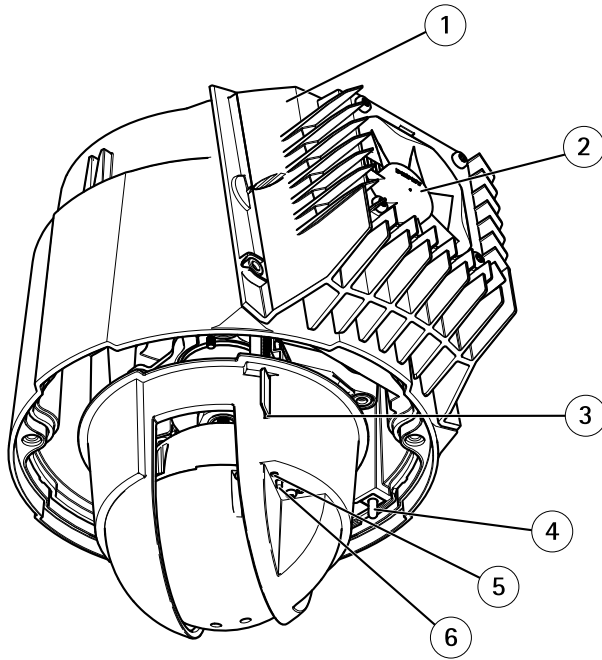
- 1 *Trou de vis (x3)*
- 2 *Trou pour support de caméra (x3)*
- 3 *Référence (P/N) et numéro de série (S/N).*

Unité de caméra – Vue de dessus



- 1 *Témoin d'alignement*
- 2 *Multiconnecteurs*
- 3 *Crochet pour câble de sécurité*
- 4 *Support de l'appareil (x3)*

Unité de caméra – Vue de dessous



- 1 *Système de refroidissement*
- 2 *Ventilateur*
- 3 *Fente pour carte (SDHC)*
- 4 *Bouton d'alimentation (pour les valeurs d'usine par défaut uniquement)*
- 5 *Bouton de commande*
- 6 *Voyant d'état*

Voyants

Voyant	Couleur	Indication
État	Éteint	Branchement et fonctionnement normal
	Orange	Fixe pendant le démarrage. Clignote pendant la mise à niveau du microprogramme.
	Orange / rouge	Clignote en orange / rouge en cas d'indisponibilité ou de perte de la connexion réseau.
	Rouge	Clignote en rouge en cas d'échec de la mise à niveau du microprogramme.
	Vert	Vert fixe pendant 10 secondes pour indiquer un fonctionnement normal après le redémarrage.

Connecteurs

Pour les caractéristiques et les conditions d'utilisation, consultez *la page 50*.

Fente pour carte SD – Une carte SD standard ou à haute capacité (non fournie) peut être utilisée pour l'enregistrement local sur stockage amovible.

AVIS

Pour éviter la corruption des enregistrements, la carte SD doit être démontée avant son retrait. Pour ce faire, rendez-vous dans **Setup > System Options > Storage > SD Card** (Configuration > Options du système > Stockage > Carte SD) et cliquez sur **Unmount** (Démonter).

Bouton de commande – Le bouton de commande permet de réaliser les opérations suivantes :

- Réinitialisation du produit aux paramètres d'usine par défaut. Cf. *la page 66*.
- Connexion au service du Système d'hébergement vidéo AXIS ou au service AXIS Internet Dynamic DNS. Pour plus d'informations sur ces services, reportez-vous au Manuel de l'utilisateur.

Bouton d'alimentation – Appuyez sur le bouton d'alimentation et maintenez-le enfoncé pour alimenter temporairement le produit lors du retrait du couvercle de dôme. Le bouton d'alimentation est également utilisé avec le bouton de commande pour réinitialiser la caméra aux paramètres d'usine par défaut. Cf. *la page 66*.

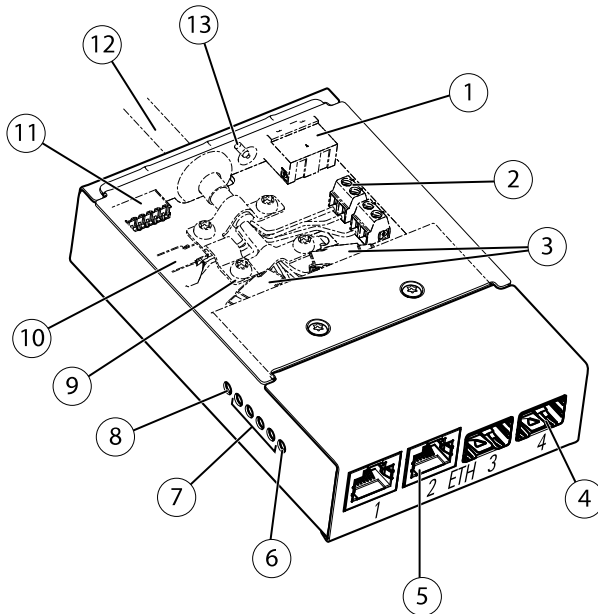
Multiconnecteurs – Connecteur de terminal pour le branchement du contacteur de convertisseur de support inclus, qui fournit les signaux suivants :

- Alimentation CC
- Réseau (Ethernet 10/100Base-T)

- Entrée/sortie (E/S)

Le câble multiconnecteurs fourni permet de maintenir la classification IP du produit. Consultez *Câble multiconnecteurs*, à la page 49.

Commutateur de convertisseur de support



- 1 Connecteur d'alimentation (entrée CC)
- 2 Connecteur d'alimentation (sortie CC)
- 3 Connecteur réseau (interne)
- 4 Connecteur réseau SFP (externe) (x2)
- 5 Connecteur réseau RJ45 (externe) (x2)
- 6 Voyant de la caméra
- 7 Voyant DEL réseau (x4)
- 8 Voyant DEL d'alimentation
- 9 Clip de mise à la masse
- 10 Connecteur E/S (interne)
- 11 Connecteur E/S (externe)
- 12 Câble multiconnecteurs
- 13 Vis de mise à la terre

Connecteurs du commutateur de convertisseur de média

Pour les caractéristiques, consultez *la page 50*.

AVIS

Le produit doit être connecté à l'aide d'un câble réseau blindé (STP). Tous les câbles reliant le produit au commutateur doivent être blindés (STP) et destinés à leur usage spécifique. Assurez-vous que le commutateur est convenablement mis à la terre. Reportez-vous à la section pour connaître les exigences réglementaires.

Important

Le commutateur de convertisseur de média ne peut être remplacé à chaud. Déconnectez l'alimentation du commutateur avant de remplacer les caméras. Un remplacement à chaud peut bloquer le commutateur, auquel cas il doit être redémarré.

Connecteur d'alimentation (entrée CC) – Bloc terminal à 2 broches pour l'alimentation.

Connecteur d'alimentation (sortie CC) – Bloc terminal à 2 broches pour la sortie d'alimentation (la broche 4 n'est pas utilisée).

Connecteur réseau RJ45 (externe) – Deux connecteurs RJ45 (10/100Base-T) pour la connectivité réseau.

Connecteur réseau SFP (externe) – Deux connecteurs SFP (100Base-FX/1000Base-X) pour la connectivité réseau.

Chaque port du connecteur réseau RJ45 et SFP utilise son propre commutateur DIP. Les commutateurs DIP contrôlent la transmission des données par le port. Pour plus d'informations, reportez-vous au manuel de l'utilisateur.

Position du commutateur DIP		Utilisation
Défaut (milieu)	B	Lors de la connexion au réseau, directement ou à travers un routeur ou un commutateur de réseau.
Gauche	A	Lors de la connexion d'une caméra ou d'un appareil qui n'est pas réservé à la visualisation des données.
Droit	C	Lors de la connexion à un autre commutateur de convertisseur de support.

Connecteur réseau (interne) – Blocs terminaux Ethernet à 2 broches.

Connecteur E/S (externe) – Bloc terminal E/S configurable à 6 broches qui est connecté à la caméra à travers le câble multiconnecteurs. Utilisez avec des périphériques externes associés aux applications telles que les alarmes de détérioration, la détection de mouvement, le déclenchement

d'événements, l'enregistrement à intervalles et les notifications d'alarme. En plus de la mise à la terre et de l'alimentation (sortie CC), le connecteur terminal E/S offre une interface à :

- **Sortie numérique** – Permet de connecter des dispositifs externes, comme des relais ou des voyants. Les appareils connectés peuvent être activés par l'interface de programmation VAPIX®, les boutons de sortie sur la page Live View (Vidéo en direct) ou par une règle d'action. La sortie est considérée comme étant active (affichée dans **System Options > Port & Devices > Port Status** (Options du système > Port et périphériques > État du port)) si le dispositif de l'alarme est activé.
- **Entrée numérique** – Entrée d'alarme utilisée pour connecter des dispositifs pouvant passer d'un circuit ouvert à un circuit fermé, par exemple : détecteurs infrarouge passifs, contacts de porte/fenêtre, détecteurs de bris de verre, etc. À la réception d'un signal, l'état change et l'entrée s'active (sous **System Options > Port & Devices > Port Status** (Options du système > Port et périphériques > État du port)).

Connecteur E/S (externe) – Bloc terminal E/S à 2 broches.

Voyants du commutateur de convertisseur de média

Voyant	Couleur	Indication
Alimentation	Éteint	Alimentation CC déconnectée ou dispositif de protection ampère-métrique activé (surcharge)
	Vert	Alimentation CC connectée.
Réseau (x4)	Orange	Connexion 10 Mbit. Clignote pendant l'activité.
	Vert	Connexion 100/1 000 Mbit. Clignote pendant l'activité.
Caméra	Vert	Connexion 100 Mbit. Clignote pendant l'activité.

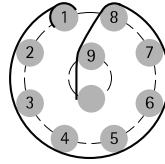
Câble multiconnecteurs

Le câble multiconnecteurs fourni sert à maintenir la classification IP de la caméra.

Connectez le câble multiconnecteurs au multiconnecteurs de la caméra et aux connecteurs du commutateur de convertisseur de média fourni, reportez-vous à la *la page 42*.

Le câble fournit les signaux suivants :

- Alimentation CC
- Réseau (Ethernet 10/100Base-T)
- Entrée/sortie (E/S)



Fonction	Broche – câble	Notes	Caractéristiques
Configurable (entrée ou sortie)	2 – bleu	Entrée numérique - Connectez-la à la terre pour l'activer ou laissez-la flotter (déconnectée) pour la désactiver.	Entre 0 et 30 V CC
	7 – jaune	Sortie numérique - Connexion interne à la terre lorsqu'activée, flottante (déconnectée) lorsque désactivée. En cas d'utilisation avec un relais externe, une diode doit être connectée en parallèle avec la charge, pour assurer la protection contre les tensions transitoires.	Charge maximale = 100 mA Tension maximale = +30 V DC
RX+	3 – vert/blanc	Ethernet – réception	
RX-	4 – vert	Ethernet – réception	
TX+	5 – orange/blanc	Ethernet – transmission	
TX-	6 – orange	Ethernet – transmission	
Terre	8 – noir	Mise à la terre	
Alimentation 12 V	1, 9 – rouge	Utilisée pour alimenter la caméra	12-13,2 V CC Charge maximale = 6 A

Caractéristiques techniques

Conditions d'utilisation

L'appareil Axis est uniquement destiné à des utilisations en extérieur.

Classification	
AXIS Q6042-C/Q6044-C/Q6045-C	IEC 60721-3-4 Classe 4K4H, 4M4 IEC 60529 IP66 NEMA 250 Type 4x MIL-STD 810G 500.5, 501.5, 502.5, 503.5, 505.5, 506.5, 507.5, 509.5, 510.5 ¹ , 514.6

1. À l'abri du sable et de la poussière. Le couvercle de dôme fumé/non fumé doit être remplacé s'il est exposé à des jets de sable.

Température	
AXIS Q6042-C/Q6044-C/Q6045-C	-20 °C à 75 °C (-4 °F à 167 °F) avec refroidissement actif

Humidité	
AXIS Q6042-C/Q6044-C/Q6045-C	Humidité relative de 10 à 100 % (sans condensation)

Conditions de stockage

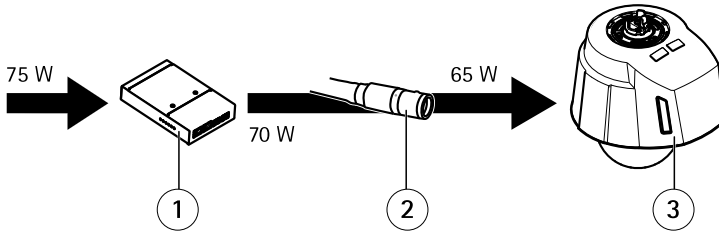
Température	
AXIS Q6042-C/Q6044-C/Q6045-C	-20 °C à 75 °C (-4 °F à 167 °F)

Caractéristiques électriques

AVIS

Afin de satisfaire aux exigences de Très basse tension de sécurité (TBTS) et de source d'alimentation limitée (LPS), utilisez le bloc d'alimentation (vendu séparément) recommandé par Axis. Pour plus d'informations sur les accessoires d'alimentation compatibles, consultez le site Web www.axis.com

Produit	Fonction	Description
Caméra réseau	Puissance d'entrée	65 W (min)
Commutateur de convertisseur de média	Tension d'entrée	12,0–13,2 V CC
	Courant d'entrée	6,25 A (min)
	Puissance d'entrée	75 W (min)
	Puissance de sortie disponible	70 W (min)
	Tension de sortie nominale	12,5 V CC

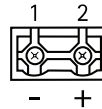


- 1 Commutateur de convertisseur de média
- 2 Câble multiconnecteurs
- 3 Caméra réseau

Connecteurs du commutateur de convertisseur de média

Connecteur d'alimentation (entrée CC)

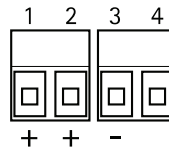
Bloc terminal à 2 broches pour l'alimentation.



Fonction	Broche	Notes	Caractéristiques	
Entrée CC	Terre	1	Mise à la terre	
	12 V CC	2	Entrée de courant provenant de l'alimentation (vendue séparément)	Charge maximale = 7 A 12,0–13,2 V CC, min 75 W

Connecteur d'alimentation (sortie CC)

Blocs terminaux à 2 broches pour la sortie d'alimentation (la broche 4 n'est pas utilisée).



Fonction		Broche	Notes	Caractéristiques
Sortie CC	12 V CC	1, 2	Sortie d'alimentation vers la caméra	Charge maximale = 6,5 A 12,0–13,2 V CC, min 70 W
	Terre	3	Mise à la terre	
	Sans objet	4	Sans objet	

Connecteur réseau (interne)

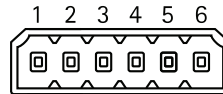
Blocs terminaux Ethernet à 2 broches.



Connecteur pour terminal E/S (externe)

Bloc terminal à 6 broches pour :

- Entrée/sortie (E/S) numérique
- Alimentation (Sortie CC)
- Mise à la terre (Terre)



Fonction	Broche	Notes	Caractéristiques
Terre	1, 4, 6	Mise à la terre	
Sortie CC	2	Sortie d'alimentation	12 V CC, 50 mA
Configurable E/S 1 (entrée ou sortie)	3	Entrée numérique	Entre 0 et 30 V CC
		Sortie numérique (transistor à collecteur ouvert)	Charge maximale = 100 mA Tension maximale = +30 V CC
Configurable E/S 2 (entrée ou sortie)	5	Entrée numérique	Entre 0 et 30 V CC
		Sortie numérique (transistor à collecteur ouvert)	Charge maximale = 100 mA Tension maximale = +30 V CC

Connecteur pour terminal E/S (interne)

Bloc terminal à 2 broches.



Installation du matériel

AVIS

- Le produit doit être connecté à l'aide d'un câble réseau blindé (STP). Tous les câbles reliant le produit au commutateur doivent être blindés (STP) et destinés à leur usage spécifique. Assurez-vous que le commutateur est convenablement mis à la terre. Pour plus d'informations sur les exigences réglementaires, consultez *Regulatory Information*, on page 2.
- Ce produit est équipé d'une membrane de déshumidification qui permet de maintenir des niveaux d'humidité bas à l'intérieur du dôme. Afin d'éviter la condensation, ne démontez pas le produit sous la pluie ou dans des conditions d'humidité.
- Veillez à ne pas rayer, endommager ou laisser d'empreintes sur le couvercle du dôme car cela pourrait altérer la qualité d'image. Laissez, si possible, la protection en plastique sur le couvercle du dôme jusqu'à la fin de l'installation.

Le produit Axis peut être installé avec des câbles acheminés à travers ou le long du mur ou du toit.

Dans les zones où la température dépasse les 60 °C (140 °F), le produit doit être placé dans un lieu à accès restreint.

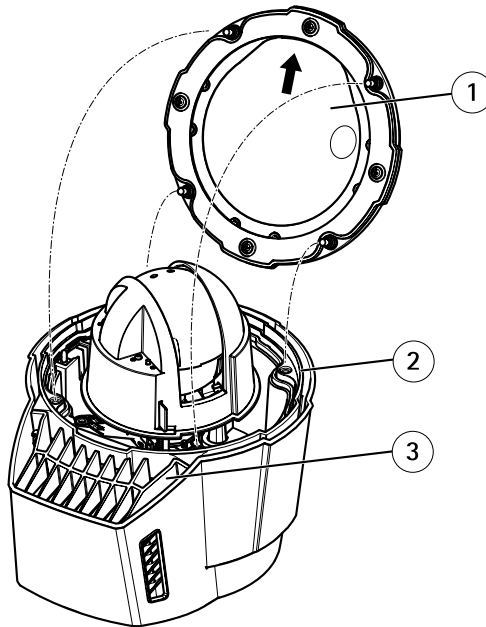
Lisez toutes les instructions avant l'installation de l'appareil. Il serait préférable de réaliser certaines étapes en même temps parce qu'elles exigent le retrait du couvercle du dôme.

- Retirez l'emballage de protection entre la caméra et le pare-soleil avant d'installer la caméra.
- Un couvercle de dôme fumé peut être acheté auprès d'un revendeur Axis. Pour remplacer le couvercle du dôme, reportez-vous à *la page 55*.
- Une carte SD standard ou à haute capacité (non fournie) peut être utilisée pour sauvegarder des enregistrements dans l'appareil. Pour installer une carte SD, reportez-vous à *la page 56*.
- Pour installer le bloc d'alimentation (vendu séparément) et le commutateur de convertisseur de média inclus, reportez-vous à *la page 56*.
- Pour installer la caméra réseau à l'aide d'un support compatible à partir des accessoires de montage AXIS T91A (vendus séparément), reportez-vous à *Installation de la caméra réseau*.

Remplacement du couvercle du dôme

Le remplacement du couvercle du dôme est nécessaire seulement si vous souhaitez utiliser un couvercle de dôme fumé ou si le couvercle du dôme est rayé ou endommagé. Les couvercles de dôme fumés et les couvercles de dôme non fumés de rechange peuvent être achetés auprès d'un revendeur Axis.

1. Desserrez les vis de la garniture pour caméra dôme et retirez le couvercle du dôme.
2. Dévissez le support du dôme, puis retirez le support et le couvercle du dôme de la garniture.
3. Assurez-vous que le joint en caoutchouc est correctement fixé sur le couvercle du dôme.
4. Alignez le renflement du couvercle du dôme avec l'un des logotypes de la garniture.
5. Fixez le support et le couvercle du dôme à la garniture puis serrez les vis (couple 1,2 Nm).
6. Pour installer une carte SD (non incluse), reportez-vous à *Installation d'une carte SD*, à la page 56.
7. Pour fixer le couvercle du dôme sur le couvercle supérieur, alignez le renflement sur le couvercle du dôme avec le système de refroidissement sur la caméra puis resserrez les vis (couple 1,5 Nm).



- 1 Couvercle de dôme
2 Couvercle supérieur

3 *Système de refroidissement*

Installation d'une carte SD

Il est possible, en option, d'installer une carte SD standard ou à haute capacité (non fournie) qui peut être utilisée pour l'enregistrement local et le stockage amovible.

1. Desserrez les vis de la garniture pour caméra dôme et retirez le couvercle du dôme.
2. Insérez une carte SD (non fournie) dans la fente pour carte SD.
3. Pour fixer le couvercle du dôme sur le couvercle supérieur, alignez le renflement sur le couvercle du dôme avec le système de refroidissement sur la caméra puis resserrez les vis (couple 1,5 Nm).

AVIS

Pour éviter la corruption des enregistrements, la carte SD doit être démontée avant son éjection. Pour ce faire, rendez-vous dans **Setup > System Options > Storage > SD Card** (Configuration > Options du système > Stockage > Carte SD) et cliquez sur **Unmount** (Démonter).

Installer l'alimentation et le commutateur de convertisseur de média

Le commutateur de convertisseur de média fourni permet au câble multiconnecteurs d'envoyer le courant provenant de l'alimentation (vendue séparément) et d'envoyer et recevoir des données en provenance et vers les dispositifs d'alarme externe et le réseau.

AVIS

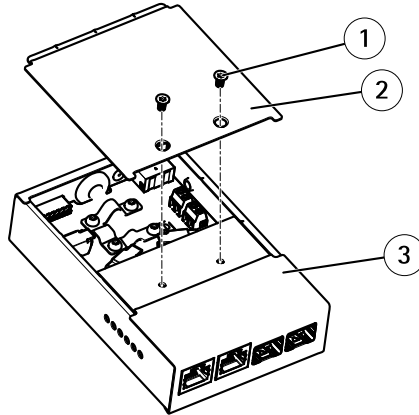
- Il faut s'assurer que les branchements à l'alimentation de secteur et conduits ont été effectués par un professionnel qualifié, selon les instructions du fabricant et en conformité avec la réglementation locale.
- L'alimentation (vendue séparément) et le commutateur de convertisseur de média doivent être installés dans un environnement à l'abri de la poussière et de l'eau, par exemple en intérieur ou dans une armoire appropriée.
- Le produit doit être connecté à l'aide d'un câble réseau blindé (STP). Tous les câbles reliant le produit au commutateur doivent être blindés (STP) et destinés à leur usage spécifique. Assurez-vous que le commutateur est convenablement mis à la terre. Pour plus d'informations sur les exigences réglementaires, consultez *Regulatory Information*, on page 2.

Important

Axis ne peut garantir la fonctionnalité qu'avec le commutateur de convertisseur de média fourni. Aucun autre dispositif n'est pris en charge.

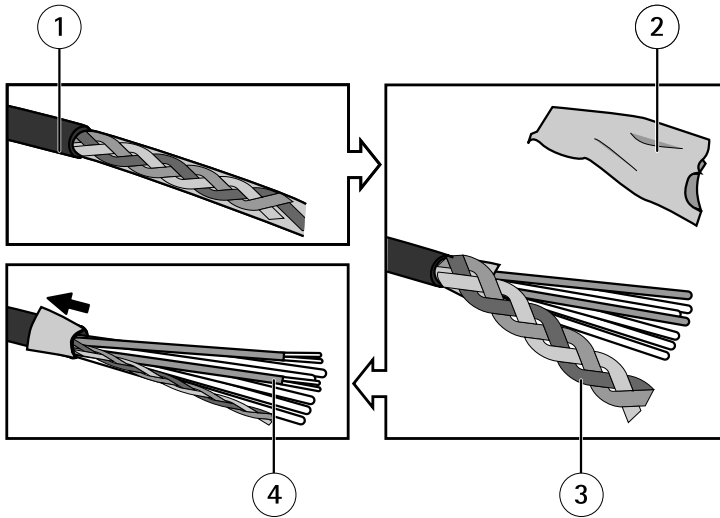
1. Assurez-vous que l'alimentation de secteur est arrêtée.

2. Montez l'alimentation et le commutateur du convertisseur de média sur le mur ou, le cas échéant, attachez-les à un rail DIN dans l'armoire. S'il s'avère nécessaire de percer, vérifiez que les forets, vis et chevilles à utiliser sont appropriés pour le matériau.
3. Desserrez les vis et retirez le couvercle du commutateur de convertisseur de média.

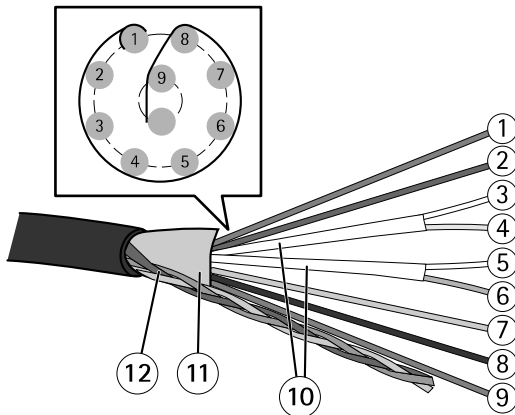


- 1 Vis (x2)
- 2 Couvercle
- 3 Commutateur de convertisseur de média

4. Enlevez 40 mm (1,57 po.) de la gaine du câble multiconnecteurs.
5. Ne touchez pas au blindage tressé, mais découpez 30 mm (1,18 po.) de la feuille extérieure du blindage.
6. Rabattez la feuille extérieure du blindage restante et torsadez le blindage tressé pour en faire une bobine.
7. Coupez environ 7-8 mm (0,27-0,32 po.) de la feuille de blindage du câble Ethernet.
8. Enlevez environ 7-8 mm (0,27-0,32 po.) de toutes les gaines du câble.



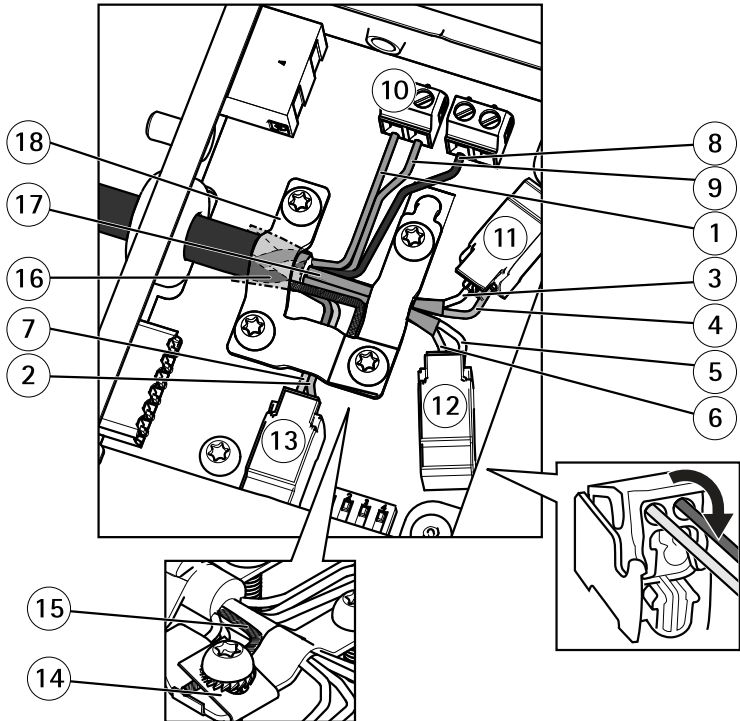
- 1 Gaine de câble multiconnecteurs
- 2 Feuille extérieure du blindage
- 3 Blindage tressé
- 4 Feuille de blindage du câble Ethernet (x2)



- 1 Fil d'alimentation (rouge)
- 2 Fil de réseau E/S numérique (bleu)
- 3 Câble Ethernet (vert/blanc)
- 4 Câble Ethernet (vert)
- 5 Câble Ethernet (orange/blanc)

- 6 Câble Ethernet (orange)
- 7 Fil de réseau E/S numérique (jaune)
- 8 Fil de mise à la masse (noir)
- 9 Fil d'alimentation (rouge)
- 10 Feuille de blindage du câble Ethernet (x2)
- 11 Feuille extérieure du blindage
- 12 Bobine de blindage tressé

- 9. Connectez les fils de réseau E/S au réseau interne et les connecteurs E/S. Ouvrez le couvercle, insérez les fils et refermez.
- 10. Connectez les fils de mise à la masse et d'alimentation au connecteur d'alimentation (sortie CC).



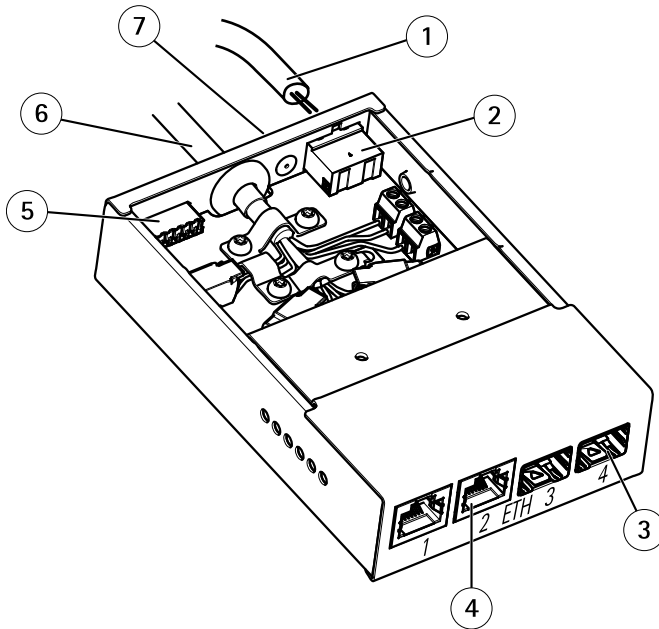
- 1 Fil d'alimentation (rouge)
- 2 Fil de réseau E/S numérique (bleu)
- 3 Câble Ethernet (vert/blanc)
- 4 Câble Ethernet (vert)
- 5 Câble Ethernet (orange/blanc)

- 6 *Câble Ethernet (orange)*
- 7 *Fil de réseau E/S numérique (jaune)*
- 8 *Fil de mise à la masse (noir)*
- 9 *Fil d'alimentation (rouge)*
- 10 *Connecteur d'alimentation (sortie CC)*
- 11 *Connecteur Ethernet (interne)*
- 12 *Connecteur Ethernet (interne)*
- 13 *Connecteur E/S (externe)*
- 14 *Clip de mise à la masse*
- 15 *Bobine de blindage tressé*
- 16 *Feuille extérieure du blindage*
- 17 *Blindage du câble Ethernet (x2)*
- 18 *Pince*

11. Assurez-vous que la pince est en place, insérez la bobine de blindage tressé dans le clip de mise à la masse et serrez les vis.

AVIS

- Les blindages et les surfaces de la pince doivent être en contact, de sorte que le câble multiconnecteurs soit mis à la masse.
 - Assurez-vous que toutes les surfaces et que tous les contacts sont propres et exempts de résidus de matériaux de blindage.
12. Connectez les câbles réseau aux connecteurs réseau externes (RJ45, SFP), tel qu'exigé.



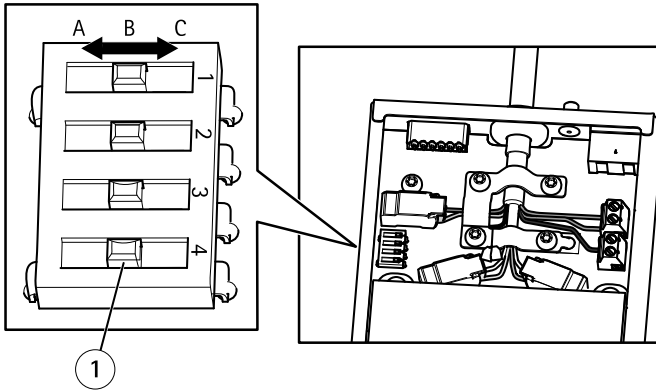
- 1 Câble d'alimentation (entrée CC)
- 2 Connecteur d'alimentation (entrée CC)
- 3 Connecteur réseau SFP (externe) (x2)
- 4 Connecteur réseau RJ45 (externe) (x2)
- 5 Connecteur E/S (externe)
- 6 Câble multiconnecteurs IP66
- 7 Vis de mise à la terre

- 13. Le cas échéant, connectez le dispositif E/S au connecteur E/S externe.
- 14. Connectez le câble d'alimentation (entrée CC) au connecteur d'alimentation (entrée CC).
- 15. Reliez le fil de mise à la terre à la vis de mise à la terre.
- 16. Si vous connectez plusieurs commutateurs de convertisseur de média en cascade, configurez le commutateur DIP de chaque port du connecteur réseau sortant à un autre commutateur de convertisseur de média à la position C.

Laissez le commutateur DIP sur sa position par défaut (position B) lorsque vous connectez le port directement au réseau. Pour plus d'informations, reportez-vous au *Connecteurs du commutateur de convertisseur de média*, à la page 48 et au manuel de l'utilisateur.

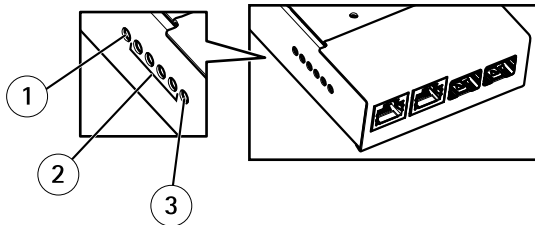
Important

Si le système n'est pas défini, utilisez le commutateur DIP sur sa position par défaut (position B).



1 Commutateur DIP (x4)

17. Reliez le couvercle au commutateur de convertisseur de média.
18. Branchez l'alimentation secteur.
19. Assurez-vous que les voyants DEL sur le commutateur de convertisseur de média indiquent les conditions appropriées. Pour en savoir plus, consultez *Voyants du commutateur de convertisseur de média*, à la page 49.



- 1 Voyant DEL d'alimentation
- 2 Voyant DEL réseau (x4) ETH 1/2/3/4
- 3 Voyant de la caméra

Installation de la caméra réseau

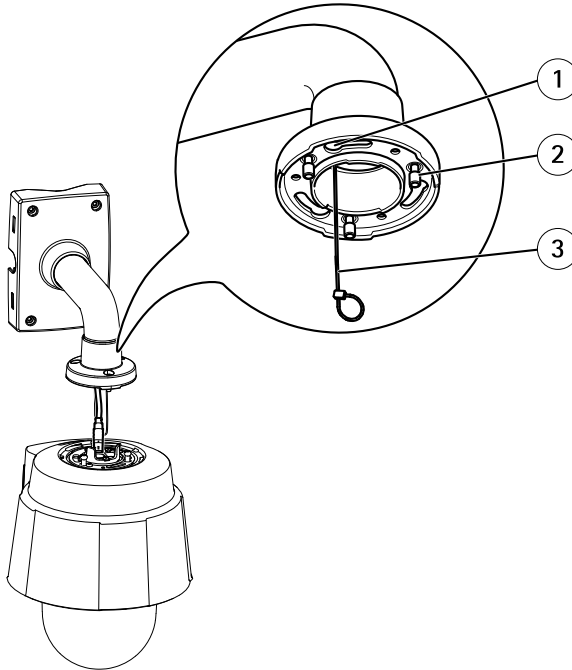
AVIS

Pour être conforme à la norme IP66 de la caméra et maintenir la protection IP66, il est nécessaire d'utiliser le câble multiconnecteurs fourni.

1. Installez les supports choisis (vendus séparément) suivant les instructions fournies. S'il s'avère nécessaire de percer, vérifiez que les forets, vis et chevilles à utiliser sont

appropriés pour le matériau. Consultez le site www.axis.com pour plus d'informations sur les accessoires de montage disponibles.

2. Acheminez le câble multiconnecteurs à travers les orifices du support de montage.
3. Sécurisez la caméra à l'aide du câble de sécurité fourni.



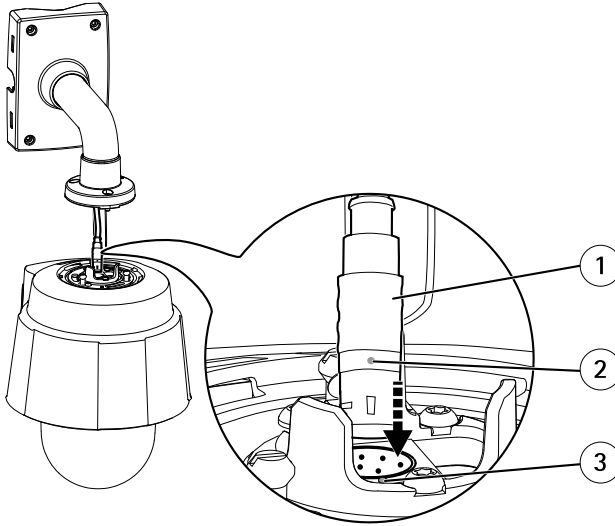
Exemple de montage (support mural vendu séparément)

- 1 *Trou pour supports de caméra (x3)*
- 2 *Vis T30 (x2)*
- 3 *Câble de sécurité*

4. Retirez la surcapsule qui recouvre le câble multiconnecteurs sur la caméra.
5. Connectez le câble multiconnecteurs au connecteur sur la caméra. Utilisez les indicateurs d'alignement pour trouver la bonne position.

AVIS

Veillez à ne pas endommager le câble multiconnecteurs lorsque vous le connectez.



Exemple de montage (support mural vendu séparément)

- 1 Câble multiconnecteurs
- 2 Témoin d'alignement – câble multiconnecteurs
- 3 Témoin d'alignement – caméra

6. Glissez les supports de l'appareil sur la caméra dans les fentes du support de montage et faites tourner la caméra.
7. Sécurez la caméra réseau sur le support de montage en serrant les vis.

Accès au produit

Utilisez les outils fournis sur le CD d'installation et de gestion pour attribuer une adresse IP, configurer le mot de passe et accéder au flux de données vidéo. Ces informations sont également disponibles sur les pages d'assistance technique du site www.axis.com/techsup

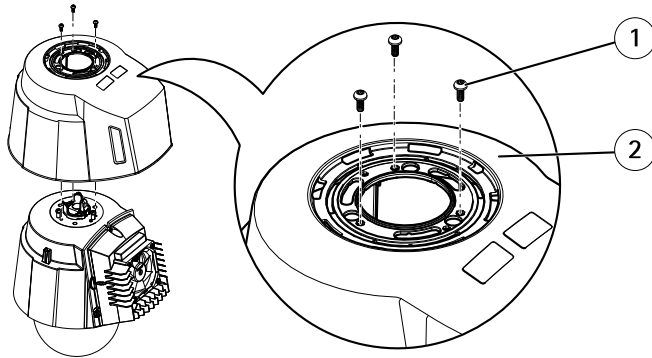
Nettoyer le dissipateur de chaleur externe

La poussière et l'accumulation des particules affectent la performance du système. Pour maintenir la performance à niveau, le dissipateur de chaleur externe du système de refroidissement de la caméra peut nécessiter un nettoyage occasionnel ou régulier.

⚠ ATTENTION

Le dissipateur de chaleur peut être chaud. Il convient de prendre certaines précautions lorsqu'on entre en contact avec le dissipateur de chaleur ou son couvercle. Si nécessaire, laissez la caméra refroidir avant de la toucher.

1. Déconnectez le câble multiconnecteurs.
2. Desserrez les vis et retirez le pare-soleil.

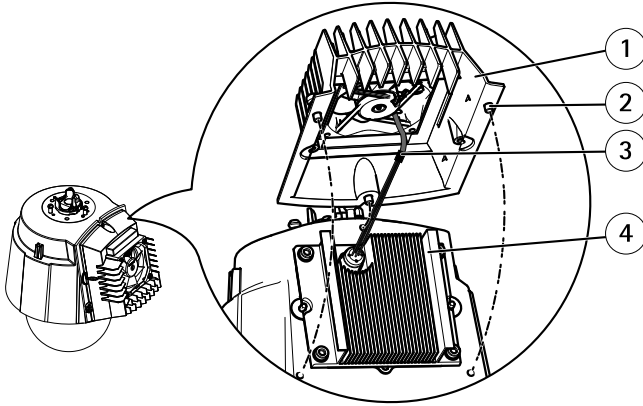


- 1 *Vis T20 (x3)*
- 2 *Pare-soleil*

3. Retirez les vis (Torx T30) et soulevez le couvercle du dissipateur de chaleur.

AVIS

Il faut éviter de déformer les câbles de ventilateur ou laisser le couvercle du dissipateur de chaleur accroché par les câbles de ventilateur.



- 1 *Couvercle du dissipateur de chaleur*
- 2 *Vis T30 (x3)*
- 3 *Câbles de ventilateur*
- 4 *Dissipateur de chaleur*

4. Retirez la poussière et les tâches de saleté en soufflant sur le dissipateur de chaleur, par exemple à l'aide d'un petit compresseur d'air ou d'une bouteille d'air comprimé. On peut aussi rincer le dissipateur de chaleur avec de l'eau pure.
5. Remettez le couvercle du dissipateur de chaleur en place et serrez les vis à (couple de $2,4 \pm 0,2$ Nm).
6. Remettez le pare-soleil en place et serrez les vis (couple de $1,2 \pm 0,1$ Nm).
7. Connectez le câble multiconnecteurs au connecteur sur la caméra.

Réinitialisation aux paramètres d'usine par défaut

Important

La réinitialisation aux paramètres par défaut doit être utilisée avec prudence. Cette opération reconfigure tous les paramètres, y compris l'adresse IP, aux valeurs d'usine par défaut.

Pour réinitialiser l'appareil aux paramètres d'usine par défaut :

1. Maintenez le bouton de commande et le bouton d'alimentation enfoncés pendant 15 à 30 secondes, jusqu'à ce que le voyant d'état passe à l'orange et clignote. Consultez *Présentation du matériel*, à la page 42.
2. Relâchez le bouton de commande mais continuez à maintenir le bouton d'alimentation jusqu'à ce que le voyant clignote en vert.
3. Relâchez le bouton d'alimentation et assemblez l'appareil.

4. Le processus est maintenant terminé. Les paramètres d'usine par défaut de l'appareil ont été rétablis. En l'absence d'un serveur DHCP sur le réseau, l'adresse IP par défaut est 192.168.0.90.
5. Utilisez les outils fournis sur le CD d'installation et de gestion pour attribuer une adresse IP, configurer le mot de passe et accéder au flux de données vidéo. Ces informations sont également disponibles sur les pages d'assistance technique du site www.axis.com/techsup

Il est également possible de rétablir les paramètres d'usine à partir de l'interface Web. Rendez-vous dans **Setup > System Options > Maintenance (Configuration > Options du système > Maintenance)**.

Informations complémentaires

Vous trouverez le Manuel d'utilisation sur www.axis.com.

Rendez-vous sur le site www.axis.com/techsup pour vérifier si des mises à jour de microprogramme sont disponibles pour votre produit réseau. Pour connaître la version du microprogramme actuellement installée, accédez à **Setup > About (Configuration > À propos de)**.

Visitez le Centre d'apprentissage AXIS sur www.axis.com/academy pour obtenir des formations, des webinaires, des didacticiels et des guides.

Informations sur la garantie

Pour obtenir plus d'amples informations sur la garantie du produit AXIS et des renseignements connexes, allez sur le site www.axis.com/warranty/

Sicherheitsinformation

Lesen Sie das Installationshandbuch sorgfältig durch bevor sie das Produkt installieren. Bewahren Sie das Installationshandbuch für zukünftige Zwecke auf.

Gefährdungsstufen

▲GEFAHR

Weist auf eine gefährliche Situation hin, die, falls nicht verhindert, zu Tod oder schweren Verletzungen führen kann.

▲WARNUNG

Weist auf eine gefährliche Situation hin, welche, falls nicht verhindert, zu Tod oder schweren Verletzungen führen kann.

▲VORSICHT

Weist auf eine gefährliche Situation hin, welche, falls nicht verhindert, zu geringfügiger oder mäßiger Verletzung führen kann.

HINWEIS

Weist auf eine gefährliche Situation hin, welche, falls nicht verhindert, zu Sachschäden führen kann.

Weitere Nachrichtenstufen

Wichtig

Weist auf wichtige Informationen hin, die den richtigen Betrieb des Produkts gewährleisten.

Beachten

Weist auf nützliche Informationen hin, die die optimale Verwendung des Produkts unterstützen.

Sicherheitsanweisungen

▲WARNUNG

- Das Axis Produkt muss von fachmännischem Personal installiert werden.

HINWEIS

- Die Anwendung des Axis Produkts muss unter Beachtung der örtlich geltenden rechtlichen Bestimmungen erfolgen.
- Lagern Sie das Axis Produkt in einer trockenen und belüfteten Umgebung.
- Achten Sie darauf, dass das Axis Produkt weder Stößen noch starkem Druck ausgesetzt ist.
- Installieren Sie das Produkt nicht an instabilen Halterungen, Oberflächen oder Wänden.
- Verwenden Sie bei der Installation des Axis Produkts ausschließlich passende Werkzeuge. Ein zu großer Kraftaufwand kann das Produkt beschädigen.
- Verwenden Sie keine chemischen, ätzenden oder aerosolhaltigen Reinigungsmittel. Verwenden Sie zum Reinigen ein sauberes, mit sauberem Wasser angefeuchtetes Tuch.
- Verwenden Sie nur Zubehör, das den technischen Daten des Produkts entspricht. Dieses ist von Axis oder Drittanbietern erhältlich.
- Verwenden Sie ausschließlich Ersatzteile die von Axis bereitgestellt oder empfohlen werden.
- Versuchen Sie nicht, das Produkt selbstständig zu reparieren. Wenden Sie sich bezüglich Reparatur und Wartung an den Axis Support oder Ihren Axis Händler.

Transport

HINWEIS

- Bewahren Sie die Schutzverpackung auf. Bei Bedarf Axis Produkt in der Originalverpackung transportieren.
- Bei Bedarf Axis Produkt in der Originalverpackung oder entsprechenden Verpackung transportieren, so dass Schäden vermieden werden.

Batterie

Das Axis Produkt ist mit einer 3,0 V BR2032 Lithium-Batterie ausgestattet, mit der die interne Echtzeituhr (RTC) versorgt wird. Unter normalen Konditionen hat die Batterie eine Lebensdauer von mindestens fünf Jahren.

Bei entladener Batterie ist der Betrieb der Echtzeituhr nicht mehr ausreichend gewährleistet, so dass die Uhr bei jedem Systemstart zurückgesetzt wird. Sie erhalten eine Protokollnachricht, wenn ein Batteriewechsel erforderlich ist.

Batterie nur ersetzen wenn erforderlich. In diesem Fall kontaktieren Sie bitte den Axis Support www.axis.com/techsup/ für Unterstützung.

⚠️ WARNUNG

- Explosionsgefahr bei fehlerhaftem Batteriewechsel.
- Ersetzen Sie nur durch eine identische Batterie oder einer von Axis empfohlenen Batterie.
- Verbrauchte Batterien sind gemäß örtlicher Bestimmungen oder Herstelleranweisungen zu entsorgen.

Kuppelabdeckung

HINWEIS

- Achten Sie darauf die Kuppelabdeckung weder zu zerkratzen, zu beschädigen oder darauf Fingerabdrücke zu hinterlassen, da dies die Bildqualität beeinträchtigen kann. Falls möglich entfernen Sie die Schutzfolie erst nachdem die Installation abgeschlossen ist.
- Säubern Sie niemals eine Kuppelabdeckung, wenn diese sauber erscheint, und polieren Sie keinesfalls die Oberfläche. Zu häufiges Säubern kann die Oberfläche beschädigen.
- Für die normale Reinigung der Kuppelabdeckung werden eine nicht-scheuernde, lösungsmittelfreie neutrale Seife oder ein entsprechendes Reinigungsmittel mit sauberem Wasser und ein sauberer, weicher Lappen empfohlen. Spülen Sie die Kuppelabdeckung gründlich mit lauwarmem sauberem Wasser ab. Trocknen Sie die Kuppelabdeckung mit einem weichen, sauberen Lappen, um Wasserflecken zu vermeiden.
- Verwenden Sie niemals starke Reinigungsmittel, Benzin, Benzol oder Aceton etc. und vermeiden Sie, die Kuppelabdeckung im direkten Sonnenlicht oder bei erhöhten Temperaturen zu säubern.

Installationsanleitung

Die Installationsanleitung enthält Anleitungen zur Installation der AXIS Q6042-C, AXIS Q6044-C oder AXIS Q6045-C PTZ-Dome-Netzwerkamera in Ihrem Netzwerk. Andere Aspekte zur Nutzung dieses Produktes finden Sie im Benutzerhandbuch unter www.axis.com

Installationsschritte

1. Stellen Sie sicher, dass die Packungsinhalte, Werkzeuge und andere notwendige Materialien für die Installation in Ordnung sind. Siehe *Seite 73*.
2. Machen Sie sich mit der Hardware-Übersicht vertraut. Siehe *Seite 74*.
3. Machen Sie sich mit den technischen Daten vertraut. Siehe *Seite 82*.
4. Installieren Sie die Hardware. Siehe *Seite 86*.
5. Zugriff auf das Produkt. Siehe *Seite 96*.

Lieferumfang

- Q6042-C/Q6044-C/Q6045-C PTZ-Dome-Netzwerk-Kamera
- Klare Kuppelabdeckung (vormontiert)
- AXIS T8605-Medien-Umschalter
- Mehrfachanschlusskabel (IP66), 7 m (23")
- Installations- und Management-Software CD-ROM
- Dokumente
 - Installationsanleitung (dieses Dokument)
 - Zusätzliche Etiketten mit der Seriennummer (2x)
 - AVHS-Authentifizierungsschlüssel

Empfohlene Werkzeuge

- Abisoliergerät
- Kreuzschlitzschraubendreher PH2 – zum Austauschen der Kuppelabdeckung
- Torx-Schraubendreher T20 – zum Reinigen des äußeren Kühlkörpers
- Torx-Schraubendreher T30 – zum Anbringen der Kamera an einer mit AXIS T91A-Montagezubehör kompatiblen Halterung und zum Austauschen der Kuppelabdeckung

Optionales Zubehör

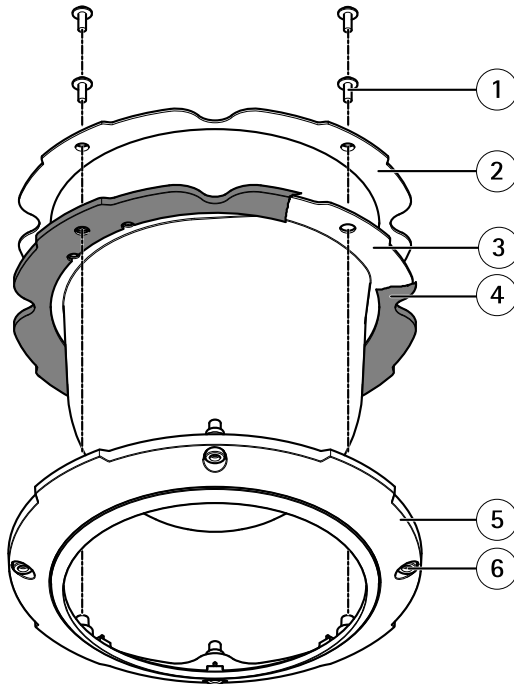
- Rauchglas-Kuppelabdeckung

- Netzteil
- AXIS T91A Montagezubehör

Unter www.axis.com finden Sie Informationen über verfügbares Zubehör.

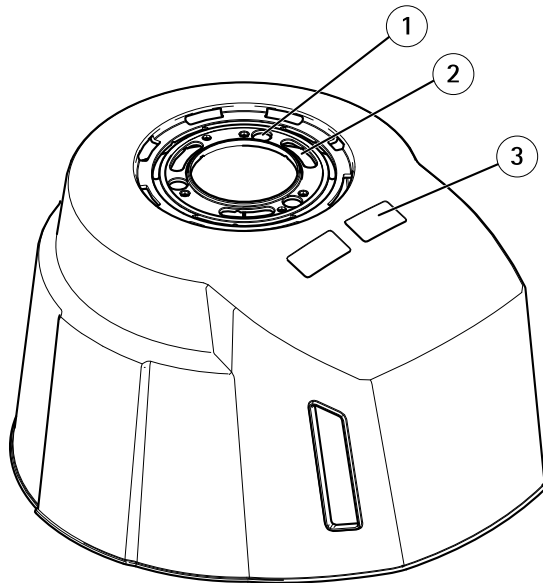
Hardwareübersicht

Kuppelabdeckung



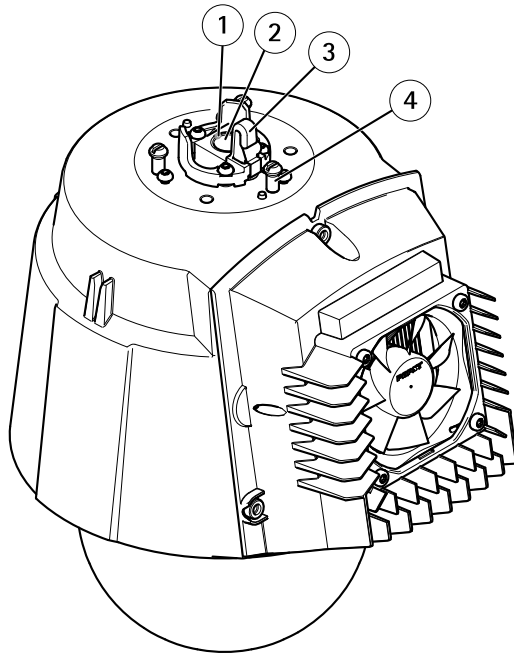
- 1 Kuppelhalterungsschraube PH2 (4x)
- 2 Kuppelhalterung
- 3 Kuppelabdeckung
- 4 Gummidichtung
- 5 Kuppelring
- 6 Kuppelringschraube T30 (4x)

Sonnenblende



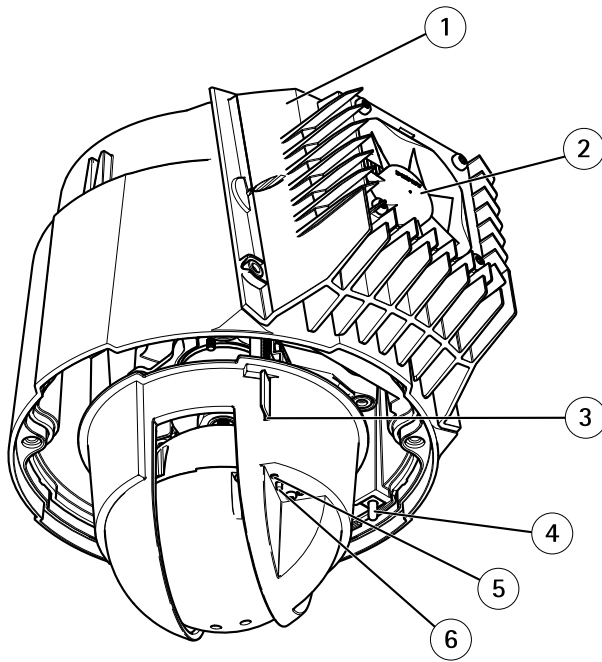
- 1 Gewindebohrung (3x)
- 2 Öffnung für Gerätehalter (3x)
- 3 Bestellnummer (P/N) und Seriennummer (S/N)

Kameraeinheit – Draufsicht



- 1 Ausrichtungsmarke
- 2 Mehrfachanschluss
- 3 Haken für Sicherheitsdraht
- 4 Gerätehalter (3x)

Kameraeinheit – Untenansicht



- 1 Kühlsystem
- 2 Lüfter
- 3 SD-Karteneinschub (SDHC)
- 4 Netztaete (nur für werksseitige Standardeinstellung)
- 5 Steuertaste
- 6 LED-Statusanzeige

LED-Anzeigen

LED	Farbe	Bedeutung
Status	Leuchtet nicht	Anschluss und Normalbetrieb
	Gelb	Leuchtet beim Start. Blinkt bei der Firmware-Aktualisierung.
	Gelb/rot	Blinkt gelb/rot, wenn die Netzwerkverbindung nicht verfügbar ist oder unterbrochen wurde.
	Rot	Blinkt rot bei einem Fehler während der Firmware-Aktualisierung.
	Grün	Leuchtet bei Normalbetrieb nach dem Start 10 Sekunden lang grün.

Anschlüsse

Technische Daten und Betriebsbedingungen finden Sie unter *Seite 82*.

SD-Karteneinschub – Eine Standard- oder eine SD-Speicherkarte mit hoher Kapazität (nicht enthalten) kann zur lokalen Aufzeichnung mit Wechselspeichermedien verwendet werden.

HINWEIS

Um einer Beschädigung der Aufnahmen vorzubeugen, sollte die SD-Karte deaktiviert werden, bevor sie ausgeworfen wird. Rufen Sie zum Deaktivieren **Setup > System Options > Storage > SD Card** (Einrichtung > Systemoptione > Speicherplatz > SD-Karte) auf und klicken Sie auf **Unmount** (Deaktivieren).

Steuertaste – Die Steuertaste hat folgende Funktionen:

- Zurücksetzen des Produkts auf Werkseinstellungen. Siehe *Seite 98*.
- Verbinden mit einem AXIS Video Hosting System-Service oder einem AXIS Internet Dynamic DNS-Service. Lesen Sie für weitere Informationen zu diesen Diensten die Bedienungsanleitung.

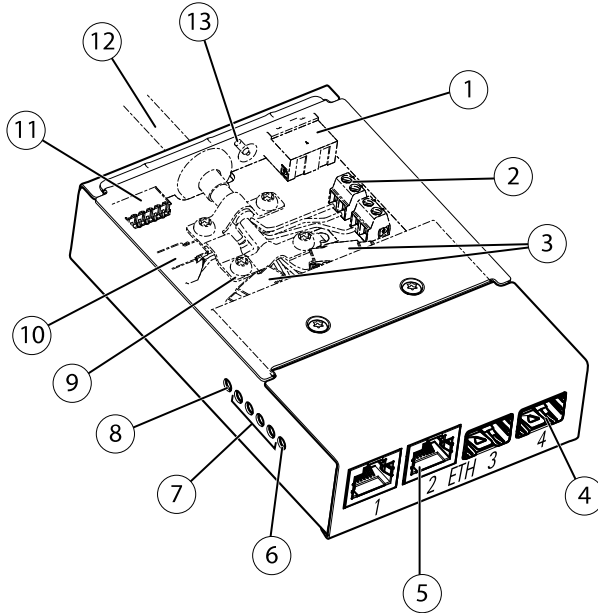
Netztaste – Drücken Sie die Netztaste und halten Sie diese gedrückt, um das Produkt bei entfernter Kuppelabdeckung kurzzeitig anzuschalten. Die Netztaste wird auch zusammen mit der Steuertaste verwendet, um die Kamera auf werkseitige Standardeinstellungen zurückzusetzen. Siehe *Seite 98*.

Mehrfachanschluss – Klemmenanschluss zum mitgelieferten Medien-Umschalter, der die folgenden Signale ausgibt:

- Gleichstrom
- Netzwerk (Ethernet 10/100Base-T)
- Eingabe-/Ausgabe (E/A)

Das mitgelieferte Mehrfachanschlusskabel ist erforderlich, um die Schutzklasse des Produkts zu gewährleisten, siehe *Mehrfachanschlusskabel, auf Seite 81*.

Medien-Umschalter



- 1 Netzanschluss (Gleichstromeingang)
- 2 Netzanschluss (Gleichstromausgang)
- 3 Netzwerkanschluss (intern)
- 4 Netzwerkanschluss SFP (extern) (2x)
- 5 Netzwerkanschluss RJ45 (extern) (2x)
- 6 Kamera-LED-Anzeige
- 7 Netzwerk-LED-Anzeige (4x)
- 8 Betriebs-LED-Anzeige
- 9 Masseklemme
- 10 E/A-Anschluss (intern)
- 11 E/A-Anschluss (extern)
- 12 Mehrfachanschlusskabel
- 13 Masseschraube

Medien-Umschalteranschlüsse

Technische Daten finden Sie unter *Seite 82*.

HINWEIS

Das Produkt sollte mit einem abgeschirmten Netzkabel (STP) angeschlossen werden. Alle Kabel, die das Produkt mit dem Schalter verbinden, sollten abgeschirmt (STP) und nur für die bestimmte Anwendung eingesetzt werden. Stellen Sie sicher, dass der Schalter ordnungsgemäß geerdet ist. Siehe bezüglich der behördlichen Anforderungen.

Wichtig

Ein Hot-Swap ist mit dem Medienumschalter nicht möglich. Trennen Sie den Schalter vom Netz, bevor Sie die Kameras wechseln. Beim Versuch des Hot-Swap funktioniert der Schalter möglicherweise nicht mehr ordnungsgemäß und muss neu gestartet werden.

Netzanschluss (Gleichstromeingang) – 2-poliger Anschlussblock für die Stromversorgung.

Netzanschluss (Gleichstromausgang) – Zwei 2-polige Klemmenleisten für Stromausgang (Pol 4 wird nicht verwendet).

Netzwerkanschluss RJ45 (extern). – Zwei RJ45 Anschlüsse (10/100Base-T) für Netzwerkverbindung.

Netzwerkanschluss SFP (extern) – Zwei SFP-Anschlüsse (100Base-FX/1000Base-X) für Netzwerkanschluss.

Jede RJ45- und SFP-Netzwerkverbindung verfügt über einen eigenen DIP-Schalter. Mit den DIP-Schaltern wird die Datenübertragung vom Port gesteuert. Weitere Informationen hierzu finden Sie im Benutzerhandbuch.

Position DIP-Schalter		Verwendung
Standard (Mitte)	B	Bei Anschluss an das Netzwerk, direkt oder über einen Router- oder Netzwerk-Switch.
Links	A	Bei Anschluss an eine Kamera oder ein Gerät, das nicht für die Datenansicht gedacht ist.
Rechts	C	Bei Anschluss an einen anderen Medien-Umschalter.

Netzwerkanschluss (intern) – Zwei 2-polige Ethernet-Klemmenleisten.

E/A-Anschluss (extern) – 6-polige konfigurierbare E/A-Klemmenleiste, die über das Mehrfachanschlusskabel an die Kamera angeschlossen ist. Zur Verwendung mit externen Geräten in Verbindung mit Manipulationsalarmen, Bewegungserkennung, Ereignisauslösung, Zeitrafferaufnahmen, Alarmbenachrichtigungen usw. Abgesehen von Masse und Strom (Gleichstromausgang) verfügt die E/A-Klemmenleiste über eine Schnittstelle zu:

- **Digitalausgang** – zum Anschluss externer Geräte wie Relais und LEDs. Angeschlossene Geräte können über die VAPIX® Application Programming Interface (Programmierschnittstelle) über die Schaltflächen für den Ausgang

auf der Seite „Live View“ oder durch eine Aktionsregel aktiviert werden. Der Ausgang wird als aktiviert (siehe **Setup > System Options > Ports & Devices > Port Status** [Einrichtung > Systemoptionen > Ports & Geräte > Port Status]) angezeigt, wenn das Alarmmeldegerät eingeschaltet ist.

- **Digitaleingang** – Alarmeingang für den Anschluss von Geräten, die zwischen geöffnetem und geschlossenem Schaltkreis wechseln können, z. B.: PIR-Kameras, Tür-/Fensterkontakte, Glasbruchmelder usw. Bei Empfang eines Signals ändert sich der Status und der Eingang wird aktiviert (siehe **System Options > Ports & Devices > Port Status**[Systemoptionen > Ports & Geräte > Port Status]).

E/A-Anschluss (intern) – 2-polige E/A-Klemmenleiste.

LED-Anzeigen am Medien-Umschalter

LED	Farbe	Bedeutung
Stromversorgung	Leuchtet nicht	Gleichstrom nicht angeschlossen oder Stromschutz eingeschaltet (Überlastung)
	Grün	Gleichstrom angeschlossen.
Netzwerk (4x)	Gelb	10-Mbit-Anschluss. Blinkt bei Aktivität.
	Grün	100/1000-Mbit-Anschluss. Blinkt bei Aktivität.
Kamera	Grün	100-Mbit-Anschluss. Blinkt bei Aktivität.

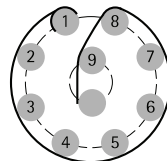
Mehrfachanschlusskabel

Das mitgelieferte Mehrfachanschlusskabel ist erforderlich, um die Schutzart der Kamera zu gewährleisten.

Schließen Sie das Mehrfachanschlusskabel an den Mehrfachanschluss der Kamera und die Anschlüsse im mitgelieferten Medien-Umschalter an. Siehe *Seite 74*.

Das Kabel liefert folgende Signale:

- Gleichstrom
- Netzwerk (Ethernet 10/100Base-T)
- Eingabe-/Ausgabe (E/A)



Funktion	Pol – Kabel	Hinweise	Technische Daten
Konfigurierbar (Ein- oder Ausgang)	2 – blau	Digitaleingang – zum Aktivieren mit dem Massekontakt verbinden; zum Deaktivieren nicht anschließen.	0 bis +30 V DC
	7 – gelb	Digitalausgang – bei Aktivierung interne Verbindung mit Masse; wenn deaktiviert: frei (nicht verbunden). Zum Schutz vor Spannungsspitzen muss bei der Kombination mit einem externen Relais eine Diode parallel zur Last geschaltet werden.	Max. Stromstärke = 100 mA Max. Spannung = +30 V DC
RX+	3 – grün/weiß	Ethernet – Empfang	
RX-	4 – grün	Ethernet – Empfang	
TX+	5 – orange/weiß	Ethernet – Übertragung	
TX-	6 – orange	Ethernet – Übertragung	
Masse (GND)	8 – schwarz	Masse	
12-V-Versorgung	1, 9 – rot	Stromversorgung der Kamera	12 bis 13,2 V DC Max. Stromstärke = 6 A

Technische Daten

Betriebsbedingungen

Das Axis Produkt ist für die Verwendung im Freien konzipiert.

Klassifikation	
AXIS Q6042-C/Q6044-C/Q6045-C	IEC 60721-3-4 Klasse 4K4H, 4M4 IEC 60529 IP66 NEMA 250 Typ 4x MIL-STD 810G 500.5, 501.5, 502.5, 503.5, 505.5, 506.5, 507.5, 509.5, 510.5 ¹ , 514.6

1. Staub- und sandgeschützt. Die klare/getönte Kuppelabdeckung muss bei Kontakt mit Sandstrahlen ersetzt werden.

Temperatur	
AXIS Q6042-C/Q6044-C/Q6045-C	-20 °C bis 75 °C (-4 °F bis 167 °F) bei aktiver Kühlung
Luftfeuchtigkeit	
AXIS Q6042-C/Q6044-C/Q6045-C	10 bis 100 % relative Luftfeuchtigkeit (nicht kondensierend)

Lagerbedingungen

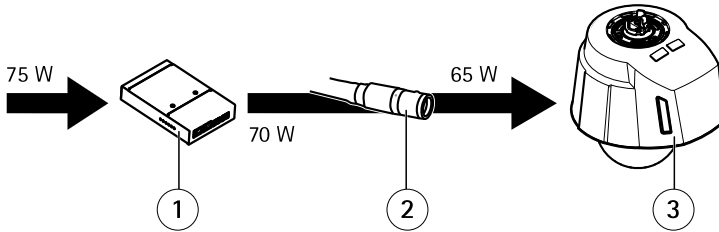
Temperatur	
AXIS Q6042-C/Q6044-C/Q6045-C	-20 °C bis 75 °C (-4 °F bis 167 °F)

Elektrische Daten

HINWEIS

Verwenden Sie zur sicheren Einhaltung der Anforderungen für Schutzkleinspannung (SELV) und eine Stromquelle mit begrenzter Leistung (LPS) das von Axis empfohlene Netzteil (separat erhältlich). Weitere Informationen zu kompatibelem Zubehör für die Stromversorgung finden Sie unter „www.axis.com“.

Produkt	Funktion	Beschreibung
Netzwerk-Kamera	Eingangsleistung	65 W (min)
Medien-Umschalter	Eingangsspannung	12,0 bis 13,2 V DC
	Eingangsstrom	6,25 A (min)
	Eingangsleistung	75 W (min)
	Verfügbare Ausgangsleistung	70 W (min)
	Ausgangsnennspannung	12,5 V DC

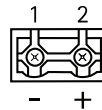


- 1 Medien-Umschalter
- 2 Mehrfachanschlusskabel
- 3 Netzwerk-Kamera

Medien-Umschalteranschlüsse

Netzanschluss (Gleichstromeingang)

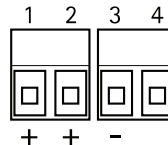
2-poliger Anschlussblock für die Stromversorgung.



Funktion		Kontakt	Hinweise	Technische Daten
Gleichstromeingang	Masse (GND)	1	Masse	
	12 V DC	2	Stromeingang von Stromquelle (separat erhältlich)	Max. Stromstärke = 7 A 12,0 bis 13,2 V DC, min. 75 W

Netzanschluss (Gleichstromausgang)

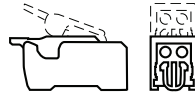
Zwei 2-polige Klemmenleisten für Stromausgang (Pol 4 wird nicht verwendet).



Funktion		Kontakt	Hinweise	Technische Daten
Gleichstromausgang	12 V DC	1, 2	Stromausgang zur Kamera	Max. Stromstärke = 6,5 A 12,0 bis 13,2 V DC, min. 70 W
	Masse (GND)	3	Masse	
	Keine Angabe	4	Keine Angabe	

Netzwerkanschluss (intern)

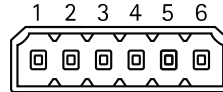
Zwei 2-polige Ethernet-Klemmenleisten.



E/A-Terminalanschluss (extern)

6-poliger Anschlussblock für:

- Digitale E/A
- Stromversorgung (Gleichstromausgang)
- Masse



Funktion	Kontakt	Hinweise	Technische Daten
Masse (GND)	1, 4, 6	Masse	
Gleichstromausgang	2	Stromausgang	12 V DC, 50 mA
Konfigurierbar E/A 1 (Eingang oder Ausgang)	3	Digitaleingang	0 bis +30 V DC
		Digitalausgang (Transistor, offener Kollektor)	Max. Stromstärke = 100 mA Max. Spannung = +30 V DC
Konfigurierbar E/A 2 (Eingang oder Ausgang)	5	Digitaleingang	0 bis +30 V DC
		Digitalausgang (Transistor, offener Kollektor)	Max. Stromstärke = 100 mA Max. Spannung = +30 V DC

E/A-Terminalanschluss (intern)

2-poliger Anschlussblock.



Installieren der Hardware

HINWEIS

- Das Produkt sollte mit einem abgeschirmten Netzkabel (STP) angeschlossen werden. Alle Kabel, die das Produkt mit dem Schalter verbinden, sollten abgeschirmt (STP) und nur für die bestimmte Anwendung eingesetzt werden. Stellen Sie sicher, dass der Schalter ordnungsgemäß geerdet ist. Informationen zu gesetzlichen Bestimmungen finden Sie unter *Regulatory Information, on page 2*.
- Das Produkt ist mit einer Entfeuchtungsmembrane ausgestattet, um die Feuchtigkeit in der Kuppel gering zu halten. Zur Vermeidung von Kondensierung das Produkt nicht im Regen oder in feuchter Umgebung auseinanderbauen.
- Achten Sie darauf die Kuppelabdeckung weder zu zerkratzen, zu beschädigen oder darauf Fingerabdrücke zu hinterlassen, da dies die Bildqualität beeinträchtigen kann. Falls möglich entfernen Sie die Schutzfolie erst nachdem die Installation abgeschlossen ist.

Das Axis Produkt kann mit den durch oder entlang der Wand oder des Dachs verlegten Kabeln installiert werden.

In Bereichen mit Temperaturen über 60 °C (140 °F) muss das Produkt an einem Ort mit eingeschränktem Zugang positioniert werden.

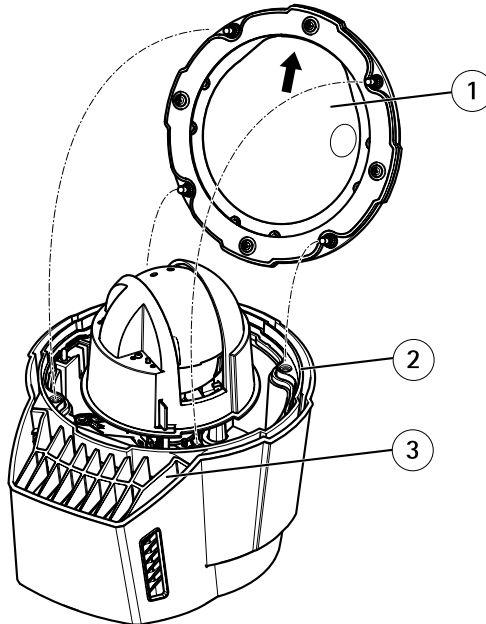
Lesen Sie die Anleitung, bevor Sie das Produkt installieren. Manche Installationsschritte sollten besser gleichzeitig ausgeführt werden, denn sie erfordern die Entfernung der Kuppelabdeckung.

- Entfernen Sie vor Installation der Kamera die Schutzverpackung zwischen Kamera und Sonnenblende.
- Über Ihren Axis Händler können Sie eine getönte Kuppelabdeckung beziehen. Um die Kuppelabdeckung zu ersetzen, siehe *Seite 87*.
- Eine Standard- oder SD-Karte mit hoher Kapazität (nicht enthalten) kann verwendet werden, um Aufnahmen lokal im Produkt zu speichern. Um eine SD-Speicherkarte zu installieren, siehe *Seite 88*.
- Informationen zum Installieren des Netzteils (separat erhältlich) und des mitgelieferten Medien-Umschalters finden Sie unter *Seite 88*.
- Um die Netzwerkkamera mit einer kompatiblen Halterung des AXIS T91A Montagezubehörs (separat erhältlich) zu installieren, siehe *Installieren der Netzwerk-Kamera*.

Austauschen der Kuppelabdeckung

Das Austauschen der Kuppelabdeckung ist nur notwendig, wenn Sie die Rauchglas-Kuppelabdeckung verwenden möchten oder wenn die Kuppelabdeckung zerkratzt ist oder Risse hat. Getönte Kuppelabdeckungen oder klare Ersatzabdeckungen können über Ihren Axis Händler erworben werden.

1. Lösen Sie die Kuppelringschrauben und entfernen sie die Kuppelabdeckung.
2. Entfernen Sie die Kuppelhalterungsschrauben und entfernen Sie die Kuppelhalterung aus dem Kuppelring.
3. Vergewissern Sie sich, dass die Gummidichtung ordnungsgemäß an der Kuppelabdeckung angebracht ist.
4. Richten Sie die Kuppelabdeckung an einem der Logos auf dem Kuppelring aus.
5. Bringen Sie die Kuppelhalterung und die Kuppelabdeckung am Kuppelring an und ziehen Sie die Schrauben fest (Drehmoment 1,2 Nm).
6. Um eine SD-Karte zu installieren (nicht im Lieferumfang enthalten), siehe *Installieren einer SD-Karte, auf Seite 88*.
7. Bringen Sie die Kuppelabdeckung an der oberen Abdeckung an, indem Sie die Ausbuchtung der Kuppelabdeckung am Kühlsystem der Kameraeinheit ausrichten und die Schrauben festziehen (Drehmoment 1,5 Nm).



1 Kuppelabdeckung

- 2 Obere Abdeckung
- 3 Kühlsystem

Installieren einer SD-Karte

Sie können optional eine Standard- oder eine SD-Speicherkarte mit hoher Kapazität (nicht enthalten) installieren, welche für lokales Aufzeichnen mit Wechselspeichermedien verwendet werden kann.

1. Lösen Sie die Kuppelringschrauben und entfernen sie die Kuppelabdeckung.
2. Schieben Sie die SD-Karte (nicht enthalten) in den SD-Karteneinschub.
3. Bringen Sie die Kuppelabdeckung an der oberen Abdeckung an, indem Sie die Ausbuchtung der Kuppelabdeckung am Kühlsystem der Kameraeinheit ausrichten und die Schrauben festziehen (Drehmoment 1,5 Nm).

HINWEIS

Um einer Beschädigung der Aufnahmen vorzubeugen, sollte die SD-Karte ausgehängt werden, bevor diese ausgeworfen wird. Rufen Sie zum Deaktivieren **Setup > System Options > Storage > SD Card** (Einrichtung> Systemoptionen> Speicherplatz> SD-Karte) auf und klicken Sie auf **Unmount** (Deaktivieren).

Anschließen der Stromversorgung und des Medien-Umschalters

Der mitgelieferte Medien-Umschalter sorgt dafür, dass das Mehrfachanschlusskabel Strom von der Stromquelle weiterleitet (separat erhältlich) und Daten von externen Alarmeinrichtungen und dem Netzwerk empfängt und sendet.

HINWEIS

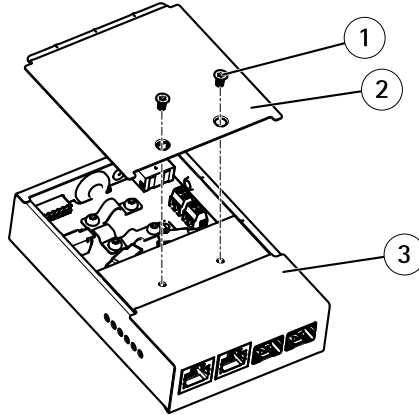
- Stellen Sie sicher, dass die Anschlüsse zur Stromversorgung und die Leiter nach den Anweisungen des Herstellers und entsprechend den örtlichen Vorschriften von einem Fachmann installiert werden.
- Die Stromquelle (separat erhältlich) und der Medien-Umschalter sind in einer Umgebung zu installieren, die Schutz gegen Staub und Wasser bietet, z. B. in geschlossenen Räumen oder in einem geeigneten Schrank.
- Das Produkt sollte mit einem abgeschirmten Netzkabel (STP) angeschlossen werden. Alle Kabel, die das Produkt mit dem Schalter verbinden, sollten abgeschirmt (STP) und nur für die bestimmte Anwendung eingesetzt werden. Stellen Sie sicher, dass der Schalter ordnungsgemäß geerdet ist. Informationen zu gesetzlichen Bestimmungen finden Sie unter *Regulatory Information, on page 2*.

Wichtig

Axis kann die einwandfreie Funktion nur dann garantieren, wenn der mitgelieferte Medien-Umschalter verwendet wird. Es werden keine anderen Geräte unterstützt.

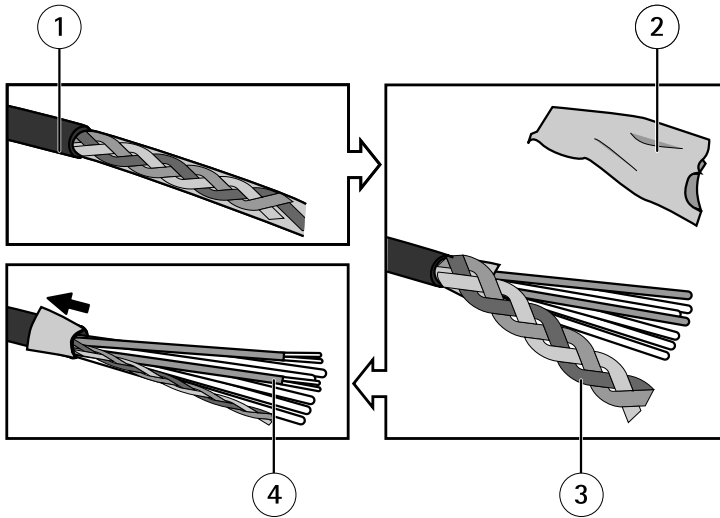
1. Stellen Sie sicher, dass die Stromzufuhr abgeschaltet ist.

2. Montieren Sie die Stromquelle und den Medien-Umschalter an der Wand oder, wenn dies möglich ist, an eine DIN-Schiene im Schrank. Falls das Bohren von Löchern erforderlich ist, stellen Sie sicher, dass die Bohrer, Schrauben und Dübel für den Baustoff der Wand geeignet sind.
3. Lösen Sie die Schrauben und nehmen sie die Abdeckung vom Medien-Umschalter.

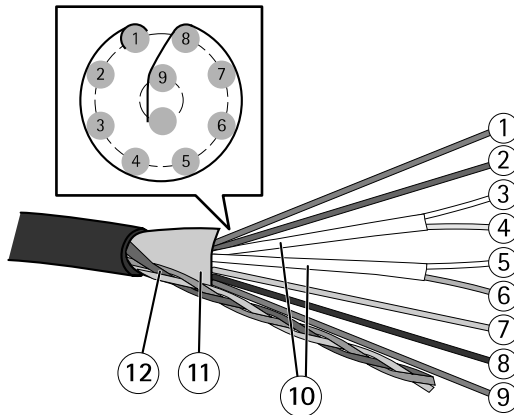


- 1 Schraube (2x)
- 2 Abdeckung
- 3 Medien-Umschalter

4. Entfernen Sie am Mehrfachanschlusskabel 40 mm (1,57 Zoll) der Ummantelung.
5. Entfernen Sie ausschließlich 30 mm (1,18 Zoll) der äußeren Folienabschirmung. Lassen Sie die Drahtgeflechtabschirmung intakt.
6. Klappen Sie die Reste der äußeren Folienabschirmung zurück und verdrehen Sie die Kupferdrähte der Abschirmung.
7. Schneiden Sie etwa 7 bis 8 mm (0,27 bis 0,32 Zoll) der Folienabschirmung des Ethernetkabels ab.
8. Isolieren Sie alle Leiter um etwa 7 bis 8 mm (0,27 bis 0,32 Zoll) ab.

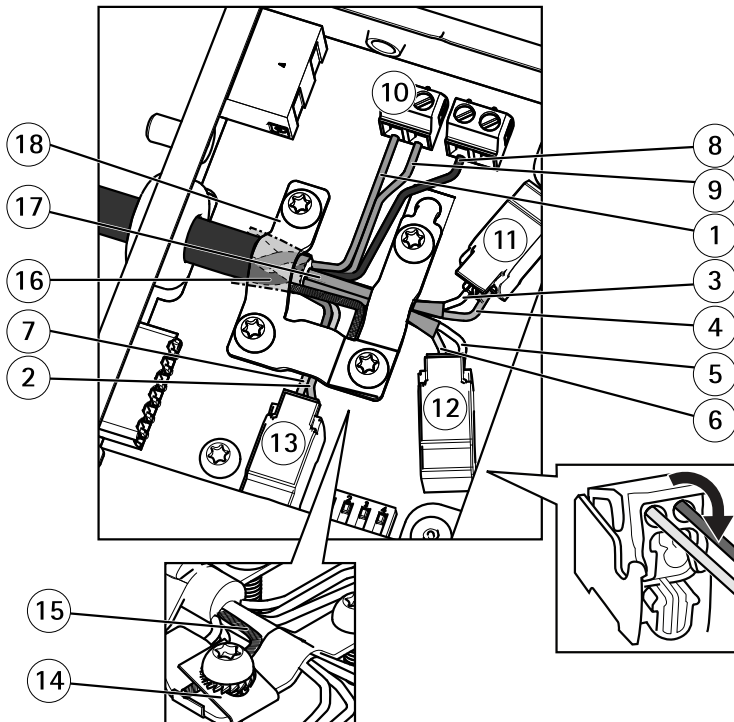


- 1 Ummantelung des Mehrfachanschlusskabels
- 2 Äußere Folienabschirmung
- 3 Drahtgeflechtabschirmung
- 4 Folienabschirmung des Ethernetkabels (2x)



- 1 Stromkabel (rot)
- 2 Digitales E/A-Kabel (blau)
- 3 Ethernetkabel (grün/weiß)
- 4 Ethernetkabel (grün)
- 5 Ethernetkabel (orange/weiß)

- 6 Ethernetkabel (orange)
 - 7 Digitales E/A-Kabel (gelb)
 - 8 Massekabel (schwarz)
 - 9 Stromkabel (rot)
 - 10 Folienabschirmung des Ethernetkabels (2x)
 - 11 Äußere Folienabschirmung
 - 12 Verdrillte Drahtgeflechtabschirmung
9. Schließen Sie die Netzwerk- und E/A-Kabel an die internen Netzwerk- und E/A-Anschlüsse an. Öffnen Sie die Klappe, führen Sie die Kabel ein und schließen Sie die Klappe wieder.
 10. Verbinden Sie die Masse- und Stromkabel mit dem Netzanschluss (Wechselstromausgang).



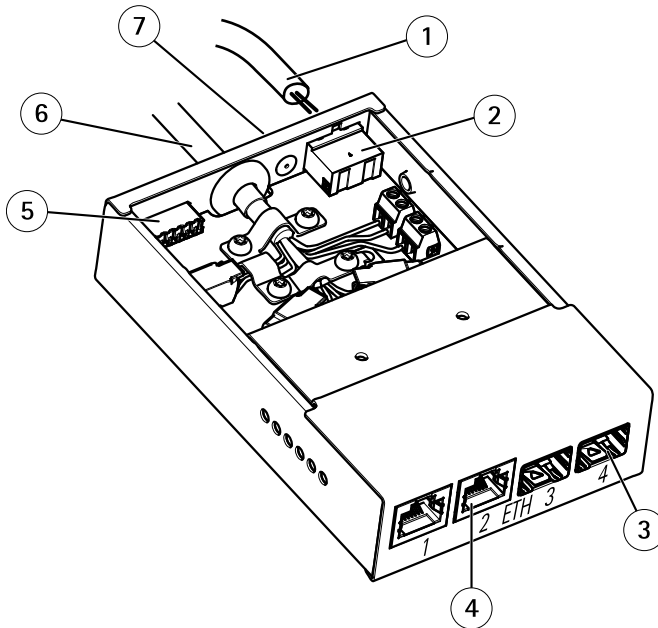
- 1 Stromkabel (rot)
- 2 Digitales E/A-Kabel (blau)
- 3 Ethernetkabel (grün/weiß)
- 4 Ethernetkabel (grün)

- 5 *Ethernetkabel (orange/weiß)*
- 6 *Ethernetkabel (orange)*
- 7 *Digitales E/A-Kabel (gelb)*
- 8 *Massekabel (schwarz)*
- 9 *Stromkabel (rot)*
- 10 *Netzanschluss (Gleichstromausgang)*
- 11 *Ethernetanschluss (intern)*
- 12 *Ethernetanschluss (intern)*
- 13 *E/A-Anschluss (intern)*
- 14 *Masseklemme*
- 15 *Verdrillte Drahtgeflechtabschirmung*
- 16 *Äußere Folienabschirmung*
- 17 *Abschirmung des Ethernetkabels (2x)*
- 18 *Halterung*

11. Stellen Sie sicher, dass die Halterung angebracht ist. Führen Sie die verdrillte Drahtgeflechtabschirmung in die Masseklemme ein und ziehen Sie die Schrauben fest.

HINWEIS

- Abschirmungen und Flächen der Halterung sollen in vollständigem Kontakt zueinander sein, so dass das Mehrfachanschlusskabel geerdet ist.
 - Vergewissern Sie sich, dass alle Flächen und Kontakte sauber und frei von Abschirmungsmaterialresten sind.
12. Schließen Sie die Netzwirkabel an die externen Netzwerkanlüsse an (RJ45, SFP).



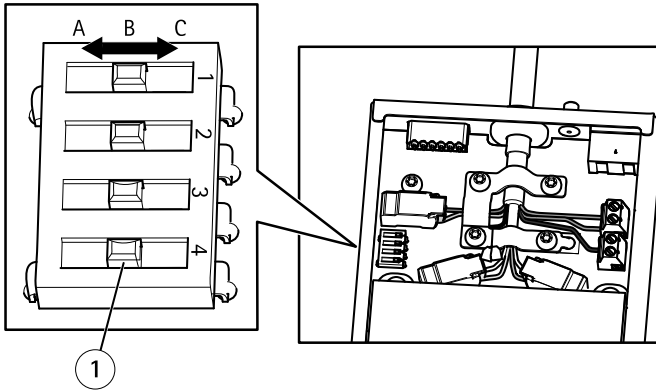
- 1 Stromkabel (Gleichstromeingang)
- 2 Netzanschluss (Gleichstromeingang)
- 3 Netzwerkanschluss SFP (extern) (2x)
- 4 Netzwerkanschluss RJ45 (extern) (2x)
- 5 E/A-Anschluss (extern)
- 6 Mehrfachanschlusskabel IP66
- 7 Masseschraube

- 13. Wenn zutreffend, schließen Sie ein E/A-Gerät an den externen E/A-Anschluss an.
- 14. Schließen Sie das Stromkabel (Gleichstromeingang) an den Anschalter an (Gleichstromeingang).
- 15. Schließen Sie das Massekabel an die Masseschraube an.
- 16. Wenn mehrere Medien-Umschalter in einer Daisy-Chain verbunden werden, müssen Sie den DIP-Schalter für jeden Netzwerkausgang, der mit einem anderen Medien-Umschalter verbunden ist, auf Position C festlegen.

Wenn der Port direkt mit dem Netzwerk verbunden wird, belassen Sie den DIP-Schalter in der Standardposition (Position B). Weitere Informationen hierzu finden Sie unter *Medien-Umschalteranschlüsse*, auf Seite 79 und im Benutzerhandbuch.

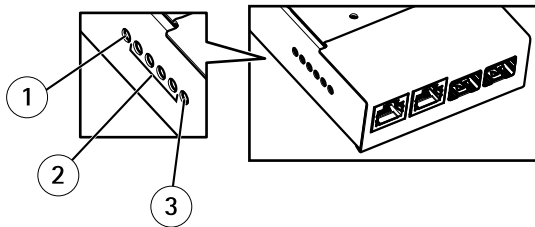
Wichtig

Wenn das System nicht definiert wurde, verwenden Sie die Standardeinstellung (Position B) des DIP-Schalters.



1 DIP-Schalter (4x)

17. Setzen Sie die Abdeckung auf den Medien-Umschalter.
18. Schalten Sie die Stromversorgung an.
19. Stellen Sie sicher, dass die LED-Anzeigen im Medien-Umschalter die korrekten Bedingungen anzeigen. Weitere Informationen hierzu finden Sie unter *LED-Anzeigen am Medien-Umschalter*, auf Seite 81



- 1 Betriebs-LED-Anzeige
- 2 Netzwerk-LED-Anzeige (4x) ETH 1/2/3/4
- 3 Kamera-LED-Anzeige

Installieren der Netzwerk-Kamera

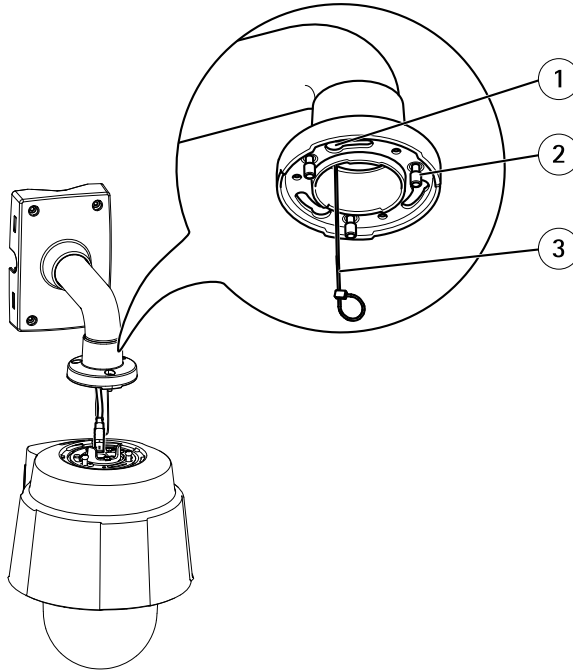
HINWEIS

Verwenden Sie das im Lieferumfang enthaltene Mehrfachanschlusskabel, um die IP66-Einstufung der Kamerabauweise einzuhalten und den IP66-Schutz beizubehalten.

1. Installieren Sie die ausgewählte Halterung (separat erhältlich) gemäß den mitgelieferten Anweisungen. Falls das Bohren von Löchern erforderlich ist, stellen Sie sicher, dass

die Bohrer, Schrauben und Dübel für den Baustoff der Wand geeignet sind. Unter „www.axis.com“ finden Sie Informationen über verfügbares Montagezubehör.

2. Führen Sie das Mehrfachanschlusskabel durch die Bohrungen in der Montagehalterung.
3. Sichern Sie die Kamera, indem Sie den mitgelieferten Sicherheitsdraht verwenden.



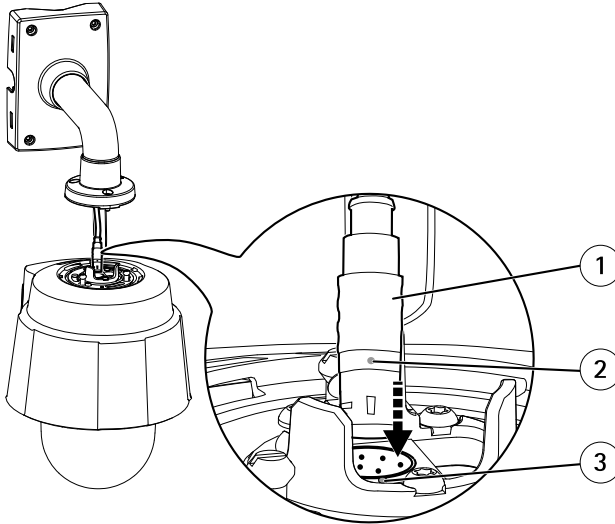
Montagebeispiel (Wandkonsole separat erhältlich)

- 1 Öffnung für Gerätehalter (3x)
- 2 Schraube T30 (2x)
- 3 Sicherheitsdraht

4. Entfernen Sie die Schutzkappe des Mehrfachanschlusses der Kamera.
5. Schließen Sie das Mehrfachanschlusskabel an den Kameraanschluss an. Suchen Sie die korrekte Position mittels der Ausrichtungsmarken.

HINWEIS

Gehen Sie beim Anschließen vorsichtig vor, um das Mehrfachanschlusskabel nicht zu beschädigen.



Montagebeispiel (Wandkonsole separat erhältlich)

- 1 Mehrfachanschlusskabel
 - 2 Ausrichtungsmarke – Mehrfachanschlusskabel
 - 3 Ausrichtungsmarke – Kamera
6. Schieben Sie die Steuerungshalter der Kamera in die Öffnungen der Montagehalterung und rotieren Sie die Kameraeinheit.
 7. Befestigen Sie die Netzwerkkamera an der Wandhalterung, indem Sie die Schrauben festziehen.

Zugriff auf das Produkt

Verwenden Sie die bereitgestellten Tools der Installations- und Management-Software-CD, um eine IP-Adresse zuzuordnen, ein Passwort einzurichten und auf den Videostrom zuzugreifen. Diese Information finden Sie ebenso auf den Support-Seiten unter www.axis.com/techsup/

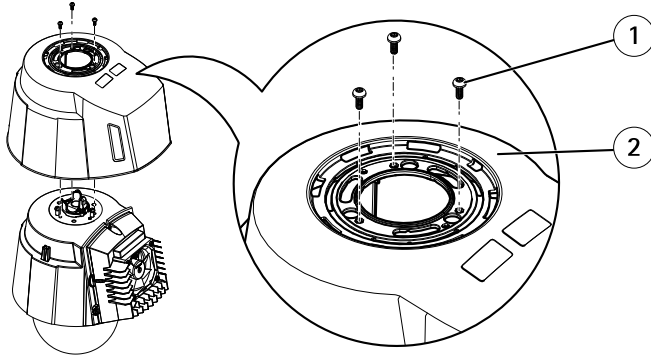
Reinigen des äußeren Kühlkörpers

Staub und angesammelte Partikel könnten die Leistung des Kühlsystems beeinträchtigen. Damit die Leistung beibehalten wird, kann es nötig sein, den äußeren Kühlkörper des Kamera-Kühlsystems gelegentlich oder regelmäßig zu reinigen.

⚠VORSICHT

Der Kühlkörper kann heiß sein. Vorsicht beim Berühren des Kühlkörpers und seiner Abdeckung. Warten Sie ggf., bis sich die Kamera abgekühlt hat.

1. Trennen Sie das Mehrfachanschlusskabel.
2. Lösen Sie die Schrauben und nehmen Sie die Sonnenblende ab.

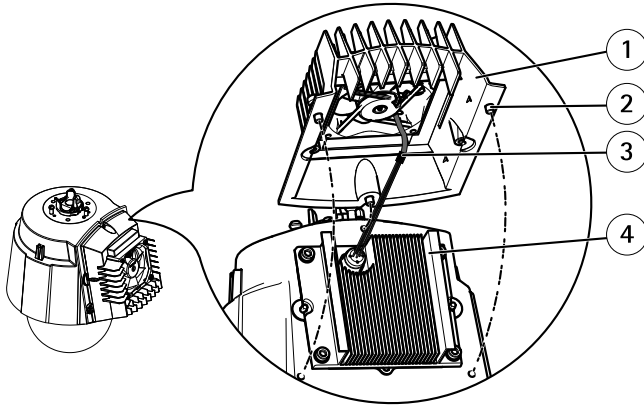


- 1 Schraube T20 (3x)
- 2 Sonnenblende

3. Entfernen Sie die Schrauben (Torx T30) und heben Sie die Abdeckung des Kühlkörpers an.

HINWEIS

Belasten Sie die Ventilator Kabel nicht oder lassen Sie die Abdeckung des Kühlkörpers nicht an den Ventilator Kabeln herab hängen.



- 1 Abdeckung des Kühlkörpers
- 2 Schraube T30 (3x)
- 3 Ventilator-kabel
- 4 Kühlkörper

4. Entfernen Sie Staub und Schmutzflecken durch Abblasen des Kühlkörpers, zum Beispiel mit einem kleinen Luftkompressor oder einer Druckluft-Sprühdose. Der Kühlkörper kann auch mit sauberem Wasser abgespült werden.
5. Bringen Sie die Abdeckung des Kühlkörpers zurück in die Originalposition und ziehen Sie die Schrauben fest (Drehmoment $2,4 \pm 0,2$ Nm).
6. Bringen Sie die Sonnenblende zurück in die Originalposition und ziehen Sie die Schrauben fest (Drehmoment $1,2 \pm 0,1$ Nm).
7. Schließen Sie das Mehrfachanschlusskabel an den Kameraanschluss an.

Zurücksetzen auf werkseitige Standardeinstellungen

Wichtig

Das Zurücksetzen auf die werkseitigen Standardeinstellungen sollte mit Vorsicht verwendet werden. Beim Zurücksetzen auf die werkseitigen Standardeinstellungen werden alle Einstellungen, einschließlich der IP-Adresse, auf die werkseitigen Standardeinstellungen zurückgesetzt.

Zurücksetzen des Produktes auf die werkseitigen Standardeinstellungen:

1. Halten Sie die Steuer- und die Netztaste etwa 15–30 Sekunden gedrückt, bis die LED-Statusanzeige gelb blinkt. Siehe *Hardwareübersicht, auf Seite 74*.
2. Lassen Sie die Steuertaste los, halten Sie die Netztaste allerdings gedrückt, bis die LED-Statusanzeige grün leuchtet.

3. Lassen Sie die Netztaaste los und montieren Sie das Gerät.
4. Der Vorgang ist damit abgeschlossen. Das Produkt wurde auf die werkseitigen Standardeinstellungen zurückgesetzt. Wenn kein DHCP-Server im Netzwerk verfügbar ist, lautet die Standard-IP-Adresse 192 . 168 . 0 . 90.
5. Verwenden Sie die bereitgestellten Tools der Installations- und Management-Software-CD, um eine IP-Adresse zuzuordnen, ein Passwort einzurichten und auf den Videostrom zuzugreifen. Diese Information finden Sie ebenso auf den Support-Seiten unter www.axis.com/techsup/

Die Parameter können auch über die Weboberfläche auf die werksseitigen Einstellungen zurückgesetzt werden. Rufen Sie **Setup > System Options > Maintenance (Einrichtung > Systemoptionen > Wartung)** auf.

Weitere Informationen

Das Benutzerhandbuch ist unter www.axis.com erhältlich.

Unter www.axis.com/techsup finden Sie Informationen zu Firmware-Aktualisierungen für Ihr Netzwerkprodukt. Um die aktuell installierte Firmware-Version einzusehen, siehe **Setup > About (Einrichtung > Über)**.

Besuchen Sie das Axis-Schulungszentrum www.axis.com/academy für anregende Schulungen, Webinare, Tutorien und Anleitungen.

Garantieinformationen

Informationen zur Garantie der Axis Produkte und hierzu verbundene Informationen, finden Sie unter www.axis.com/warranty/

Informazioni di Sicurezza

Leggere questa Guida d'Installazione prima di installare il prodotto. Conservare la Guida d'Installazione per usi futuri.

Livelli di pericolo

▲PERICOLO

Indica una situazione pericolosa che, se non evitata, provoca morte o lesioni gravi.

▲AVVERTENZA

Indica una situazione pericolosa che, se non evitata, può provocare la morte o lesioni gravi.

▲ATTENZIONE

Indica una situazione pericolosa che, se non evitata, può provocare lesioni medie o minori.

AVVISO

Indica una situazione che, se non evitata, può danneggiare la proprietà.

Livelli altro messaggio

Importante

Indica informazioni importanti, essenziali per il corretto funzionamento del prodotto.

Nota

Indica informazioni utili che aiutano a ottenere il massimo dal prodotto.

Istruzioni di sicurezza

⚠️ AVVERTENZA

- Il prodotto Axis deve essere installato da un professionista qualificato.

AVVISO

- Il prodotto Axis deve essere utilizzato in conformità alle leggi e alle disposizioni locali.
- Conservare il prodotto Axis in un ambiente asciutto e ventilato.
- Evitare di esporre il prodotto Axis a urti o pressioni eccessive.
- Non installare il prodotto su supporti, superfici o pareti instabili.
- Utilizzare solo strumenti applicabili quando si installa il prodotto Axis. Una forza eccessiva può causare danni al prodotto.
- Non utilizzare sostanze chimiche, agenti caustici o detergenti aerosol. Utilizzare un panno pulito inumidito in acqua pura per la pulizia.
- Utilizzare solo accessori compatibili con le specifiche tecniche del prodotto. Questi possono essere forniti da Axis o da terze parti.
- Utilizzare solo parti di ricambio fornite o consigliate da Axis.
- Non tentare di riparare il prodotto da soli. Contattare l'assistenza o il rivenditore Axis per questioni relative alla manutenzione

Trasporti

AVVISO

- Conservare l'imballaggio di protezione. Durante il trasporto del prodotto Axis, l'imballaggio di protezione deve essere ricollocato nella sua posizione originale.
- Durante il trasporto del prodotto Axis, utilizzare l'imballaggio originale o equivalente per evitare danni al prodotto.

Batteria

Il prodotto Axis utilizza una batteria al litio da 3,0 V BR2032 come alimentazione per il suo real-time clock (RTC) interno. In condizioni normali questa batteria avrà una durata minima di cinque anni.

Una bassa carica della batteria influisce sul funzionamento del RTC, facendolo resettare ad ogni accensione. Un messaggio di registro viene visualizzato quando la batteria deve essere sostituita.

La batteria non deve essere sostituita se non richiesto, ma nel caso in cui ci fosse la necessità di sostituirla, contattare il supporto Axis all'indirizzo www.axis.com/techsup/ per assistenza.

⚠AVVERTENZA

- Rischio di esplosione se la batteria viene sostituita in modo errato.
- Sostituire solo con una batteria identica o una batteria consigliata da Axis.
- Smaltire le batterie usate in base alle normative locali o alle istruzioni del produttore della batteria.

Coperchio della cupola

AVVISO

- Fare attenzione a non graffiare, danneggiare o lasciare impronte sul coperchio della cupola, perché potrebbe diminuire la qualità dell'immagine. Se possibile, tenere la protezione in plastica sul coperchio della cupola fino a quando l'installazione non sarà completata.
- Non pulire il coperchio della cupola che allo sguardo sembra pulito e non lucidare la superficie. Una pulizia eccessiva potrebbe danneggiare la superficie.
- Per la pulizia generale del coperchio della cupola, si consiglia di utilizzare un sapone neutro o detergente non abrasivo con acqua pura e un panno morbido e pulito. Sciacquare bene con acqua pura tiepida. Asciugare con un panno morbido e pulito per evitare macchie d'acqua.
- Non usare mai detergenti aggressivi, benzina, benzene o acetone ecc. ed evitare di pulire il coperchio della cupola alla luce diretta del sole o a temperature elevate.

Guida all'installazione

Questa guida fornisce le istruzioni per l'installazione sulla rete di AXIS Q6042-C, AXIS Q6044-C, o AXIS Q6045-C Telecamera di rete a cupola PTZ. Per ulteriori informazioni sull'utilizzo del prodotto, consultare la Guida per l'utente disponibile all'indirizzo www.axis.com

Procedure di installazione

1. Assicurarsi che il contenuto della confezione, gli strumenti e altri materiali necessari per l'installazione siano in ordine. Consultare *pagina 105*.
2. Studiare la descrizione dell'hardware. Consultare *pagina 106*.
3. Studiare le specifiche. Consultare *pagina 114*.
4. Installazione dell'hardware. Consultare *pagina 118*.
5. Accedere al prodotto. Consultare *pagina 128*.

Contenuto della Confezione

- Q6042-C/Q6044-C/Q6045-C Telecamera di rete a cupola PTZ
- Copertura a cupola trasparente (premontata)
- Media Converter switch AXIS T8605
- Cavo multiplo (IP66), 7 m (23 ft)
- CD d'installazione e gestione
- Materiali stampati
 - Guida all'installazione (questo documento)
 - Etichetta aggiuntiva con numero di serie (2)
 - Chiave di autenticazione AVHS

Strumenti raccomandati

- Spelafili
- Cacciavite Philips PH2 - in caso di sostituzione del coperchio della cupola
- Cacciavite Torx T20 - per la pulitura del dissipatore di calore esterno se necessaria
- Cacciavite Torx T30 - Per installare la telecamera su una staffa compatibile da accessori di montaggio di AXIS T91A e in caso di sostituzione del coperchio della cupola

Accessori opzionali

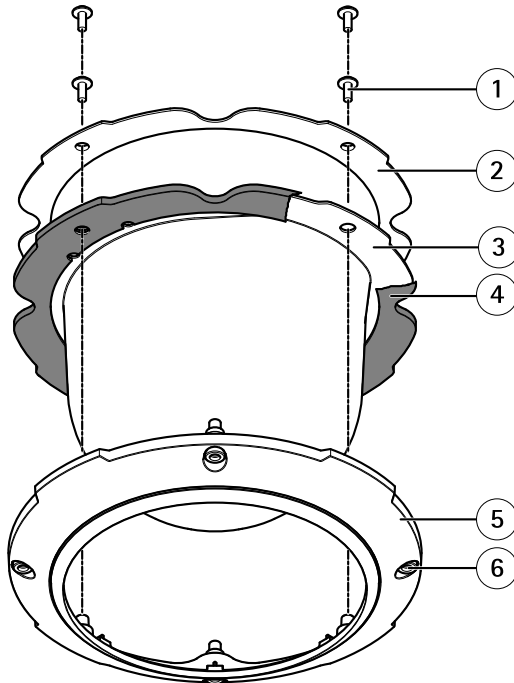
- Copertura a cupola fumé
- Alimentatore

- Accessori per il montaggio AXIS T91A

Visitare il sito web www.axis.com per informazioni sugli accessori disponibili.

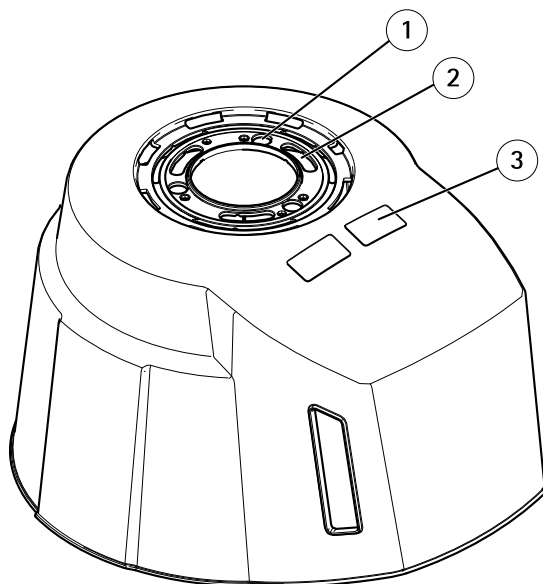
Panoramica dell'Hardware

Coperchio della cupola



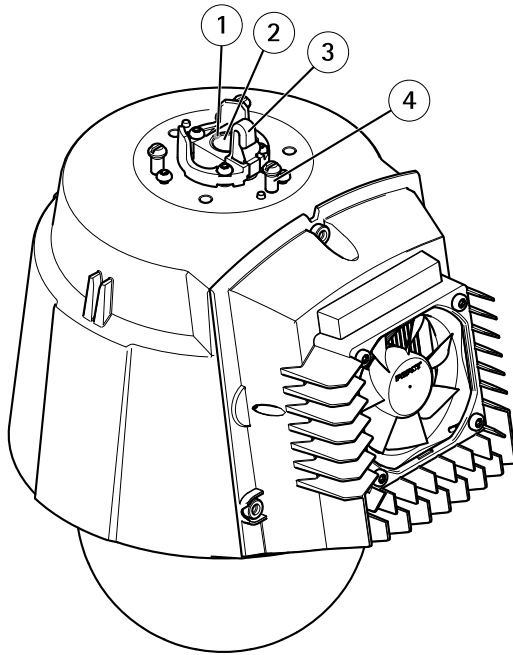
- 1 Vite staffa cupola PH2 (4)
- 2 Staffa cupola
- 3 Coperchio della cupola
- 4 Guarnizione in gomma
- 5 Anello cupola
- 6 Viti anello cupola T30 (4)

Parasole



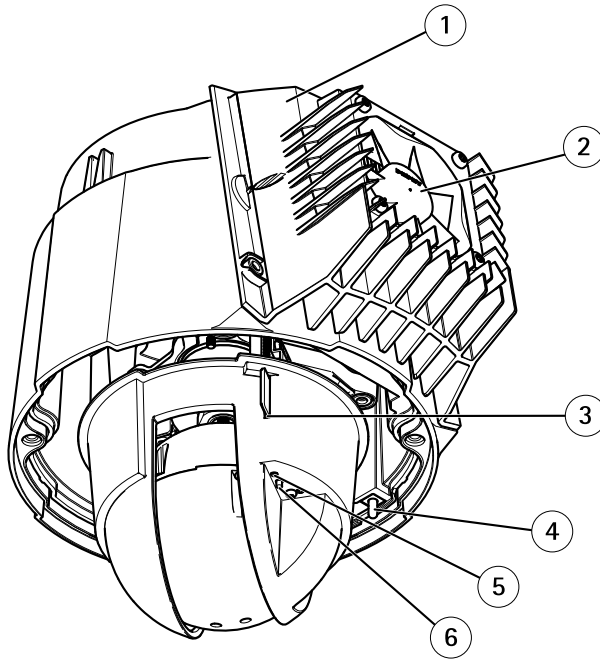
- 1 *Foro per vite (3)*
- 2 *Foro per i supporti dell'unità (3)*
- 3 *Codice prodotto (P/N) e numero di serie (S/N)*

Unità telecamera - Vista dall'alto



- 1 *Indicatore di allineamento*
- 2 *Multiconnettore*
- 3 *Gancio per cavo di sicurezza*
- 4 *Supporto unità (3)*

Unità telecamera - Vista dal basso



- 1 *Sistema di raffreddamento*
- 2 *Ventola*
- 3 *Slot per scheda SD (SDHC)*
- 4 *Tasto di accensione (solo per le impostazioni predefinite)*
- 5 *Pulsante di comando*
- 6 *Indicatore LED stato*

Indicatori LED

LED	Colore	Indicazione
LED di stato	Spento	Connessione e operazione normale
	Giallo	Costante durante l'avvio. Lampeggia durante l'aggiornamento del firmware.
	Giallo/rosso	Lampeggia in giallo/rosso se il Collegamento di rete non è disponibile o è stato perso.
	Rosso	Lampeggia in rosso se l'aggiornamento del firmware non è andato a buon fine.
	Verde	Una luce verde fissa per 10 secondi indica il normale funzionamento dopo il riavvio.

Connettori

Per le specifiche e le condizioni di funzionamento, consultare *pagina 114*.

Slot per scheda SD – E' possibile utilizzare una scheda di memoria SD standard o ad alta capacità (non inclusa) per la registrazione in modalità locale con unità di archiviazione rimovibile.

AVISO

Per prevenire il danneggiamento delle registrazioni, la scheda SD deve essere smontata prima della rimozione. Per smontare, andare su **Setup > System Options > Storage > SD Card (Configurazione > Opzioni di sistema > Archiviazione > Scheda SD)** e fare clic su **Smonta**.

Pulsante di comando – Il pulsante di comando viene utilizzato per:

- Ripristino del prodotto alle impostazioni predefinite di fabbrica. Consultare *pagina 130*.
- Collegamento a un servizio AXIS Video Hosting System o AXIS Internet Dynamic DNS Service. Per ulteriori informazioni su questi servizi, consultare il Manuale Utente.

Tasto di accensione – Tenere premuto il tasto di accensione per alimentare il prodotto temporaneamente quando è stato rimosso il coperchio della cupola. Il pulsante di accensione è utilizzato anche con il tasto di controllo per ripristinare la fotocamera alle impostazioni predefinite di fabbrica. Consultare *pagina 130*.

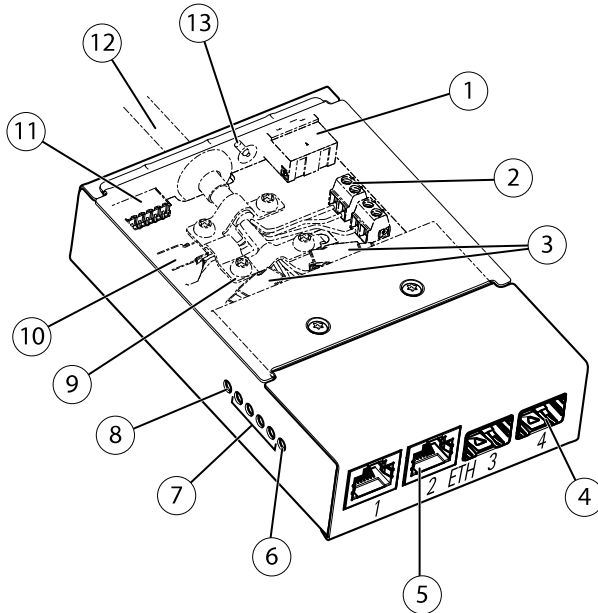
Multiconnettore – Connettore terminale per collegare il media converter switch in dotazione, che fornisce i seguenti segnali:

- Alimentazione CC

- Rete (Ethernet 10/100Base-T)
- Input/Output (I/O)

Il cavo multiconnettore è richiesto per mantenere la classificazione IP del prodotto, consultare *Cavo multiplo, alla pagina 113*.

Switch Media Converter



- 1 Morsettiera di alimentazione (ingresso CC)
- 2 Morsettiera di alimentazione (uscita CC)
- 3 Connettore di rete (interno)
- 4 Connettore di rete SFP (esterno) (2)
- 5 Connettore di rete RJ45 (esterno) (2)
- 6 Indicatore LED telecamera
- 7 Indicatore LED di rete (4)
- 8 Indicatore LED di alimentazione
- 9 Clip di massa
- 10 Morsettiera I/O (interna)
- 11 Morsettiera I/O (esterna)
- 12 Cavo multiplo
- 13 Vite a terra

Connettori switch Media Converter

Per le specifiche, consultare *pagina 114*.

AVVISO

Il prodotto deve essere collegato con un cavo di rete schermato (STP). Tutti i cavi che collegano il prodotto allo switch devono essere schermati (STP) e destinati al loro uso specifico. Assicurarsi che lo switch sia adeguatamente connesso a terra. Per i requisiti normativi consultare .

Importante

Lo switch Media Converter non supporta l'hot swapping. Scollegare l'alimentazione dallo switch prima dello swapping delle telecamere. Un tentativo di effettuare l'hot swapping potrebbe causare il blocco dello switch, in tal caso deve essere riavviato.

Morsettiera di alimentazione (ingresso CC) – Morsettiera a 2 pin per ingresso alimentazione.

Morsettiera di alimentazione (uscita CC) – Due morsettiere a 2 pin utilizzate per l'uscita dell'alimentazione (pin 4 non utilizzato).

Connettore di rete RJ45 (esterno) – Due connettori RJ45 (10/100Base-T) per connettività di rete.

Connettore di rete SFP (esterno) – Due connettori SFP (100Base-FX/1000Base-X) per connettività di rete.

Ogni porta del connettore di rete RJ45 e SFP ha il proprio dip switch. I dip switch controllano come la porta inoltra i dati. Per ulteriori informazioni, consultare la Guida per l'utente.

Posizione dip switch		Descrizione dell'utilizzo
Predefinito (medio)	B	Quando si effettua il collegamento alla rete, direttamente o tramite un router o uno switch di rete.
Sinistra	A	Quando si effettua il collegamento a una telecamera o a una periferica che non è destinata alla visualizzazione dei dati.
Destra	C	Quando si effettua il collegamento a un altro switch Media Converter.

Connettore di rete (interno) – Due morsettiere a 2-pin Ethernet.

Morsettiera I/O (esterna) – Morsettiera I/O a 6 pin configurabile, collegata alla telecamera tramite il cavo multiplo. Utilizzare con dispositivi esterni in combinazione con, ad esempio, allarmi antimanomissione, rilevamento del movimento, attivazione di eventi, registrazione temporizzata

e notifiche di allarme. Oltre alla terra e all'alimentazione (uscita CC), la morsettiera I/O fornisce l'interfaccia per:

- **Uscita digitale** – Per collegare dispositivi esterni come relè o LED. Le periferiche collegate possono essere attivate tramite VAPIX® API (interfaccia per la programmazione di applicazioni), tramite i pulsanti di comando della pagina Live View (Immagini dal vivo) oppure tramite l'opzione Action Rule (regola di azione). L'uscita verrà visualizzata come attiva (visualizzata in **System Options (Opzioni di Sistema) > Port & Devices (Porta & Dispositivi) > Port Status (Stato porta)**) se il dispositivo di allarme è attivato.
- **Ingresso digitale** – Ingresso allarme utilizzabile per collegare le periferiche, che può passare dal circuito chiuso al circuito aperto, ad esempio: Sensori di movimento (PIR), contatti porta/finestra, rilevatori di rottura vetri e così via. Dopo la ricezione del segnale lo stato cambia e l'ingresso diventa attivo (visualizzato in **System Options > Port & Devices > Port Status (Opzioni di Sistema > Porte e Dispositivi > Stato porta)**).

Morsettiera I/O (interna) – Morsettiera I/O a 2 pin.

Indicatori LED Switch Media Converter

LED	Colore	Indicazione
Alimentazione	Spento	Alimentazione CC non connessa o protezione della corrente innestata (sovraccarico di alimentazione)
	Verde	Connesso all'alimentazione CC.
Rete (4)	Giallo	Connessione 10 Mbit. Lampeggia durante l'attività.
	Verde	Connessione 100/1000 Mbit. Lampeggia durante l'attività.
Telecamera	Verde	Connessione 100 Mbit. Lampeggia durante l'attività.

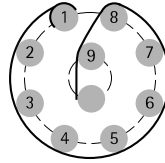
Cavo multiplo

Il cavo multiplo in dotazione è necessario per mantenere la classificazione IP del prodotto.

Collegare il cavo multiplo al connettore multiplo della telecamera e ai connettori nello switch Media Converter in dotazione, osservando *pagina 106*.

Il cavo fornisce i seguenti segnali:

- Alimentazione CC
- Rete (Ethernet 10/100Base-T)
- Input/Output (I/O)



Funzione	Cavo – pin	Note	Specifiche
Configurabile (ingresso o uscita)	2 - blu	Ingresso digitale - Collegare a terra (GND) per attivarlo oppure lasciarlo isolato (scollegato) per disattivarlo.	Da 0 a +30 V CC
	7 - giallo	Uscita digitale – Connessione interna a terra quando attivo, isolato (scollegato) quando inattivo. Se utilizzato con un relè esterno, è necessario collegare un diodo in parallelo al carico per proteggere il dispositivo da transitori di tensione.	Carico massimo = 100 mA Tensione max. = + 30 V CC
RX+	3 - verde/bianco	Ethernet – ricevente	
RX-	4 - verde	Ethernet – ricevente	
TX+	5 - arancio/bianco	Ethernet – trasmittente	
TX-	6 - arancio	Ethernet – trasmittente	
GND	8 - nero	Terra	
alimen- tazione 12 V	1, 9 - rosso	Utilizzato per alimentare la telecamera	12-13.2 V CC Carico massimo = 6 A

Dati tecnici

Condizioni di funzionamento

Il prodotto Axis è destinato all'uso esterno.

Classificazione	
AXIS Q6042-C/Q6044-C/Q6045-C	IEC 60721-3-4 Classe 4K4H, 4M4 IEC 60529 IP66 NEMA 250 Type 4x MIL-STD 810G 500.5, 501.5, 502.5, 503.5, 505.5, 506.5, 507.5, 509.5, 510.5 ¹ , 514.6

1. Protetto da polvere e sabbia. La sostituzione del coperchio della cupola trasparente/scuro può essere necessaria se esposto a sabbia.

Temperatura	
AXIS Q6042-C/Q6044-C/Q6045-C	da 20 °C a 75 °C (da 4 °F a 167 °F) con raffreddamento attivo

Umidità	
AXIS Q6042-C/Q6044-C/Q6045-C	10-100% Umidità relativa (senza condensa)

Condizioni di immagazzinaggio

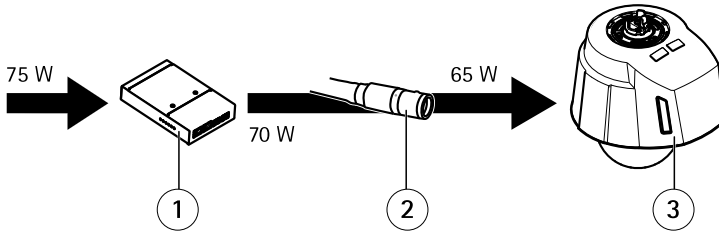
Temperatura	
AXIS Q6042-C/Q6044-C/Q6045-C	Da 20 °C A 75 °C (da 4 °F a 167 °F)

Specifiche elettriche

AWISO

Per stabilire la conformità ai requisiti di Bassissima Tensione di Sicurezza (SELV) e potenza limitata (LPS), utilizzare l'alimentatore elettrico (venduto separatamente) consigliato da Axis. Visitare il sito web www.axis.com per informazioni sugli accessori per l'alimentazione compatibili

Prodotto	Funzione	Descrizione
Telecamera di rete	Potenza di ingresso	65 W (min)
Switch Media Converter	Tensione in ingresso	12.0-13.2 V CC
	Corrente in ingresso	6.25 A (min)
	Potenza di ingresso	75 W (min)
	Potenza in uscita disponibile	70 W (min)
	Tensione nominale in uscita	12.5 V DC

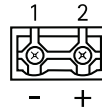


- 1 Switch Media Converter
- 2 Cavo multiplo
- 3 Telecamera di rete

Connettori switch Media Converter

Morsettiera di alimentazione (ingresso CC)

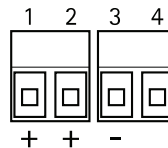
Morsettiera a 2 pin per ingresso alimentazione.



Funzione	Pin	Note	Specifiche
Ingresso CC	GND	1	Terra
	12 V CC	2	Alimentazione dall'alimentatore (venduto separatamente)
			Carico massimo = 7 A 12.0-13.2 V CC, min 75 W

Morsettiera di alimentazione (uscita CC)

Due morsettiere a 2 pin utilizzate per l'uscita dell'alimentazione (pin 4 non utilizzato).



Funzione		Pin	Note	Specifiche
Uscita CC	12 V CC	1, 2	Uscita alimentazione alla telecamera	Carico massimo = 6.5 A 12.0–13.2 V CC, min 70 W
	GND	3	Terra	
	N/a	4	N/a	

Connettore di rete (interno)

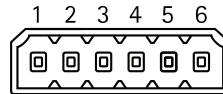
Due morsettiere a 2-pin Ethernet.



Connettore del morsetto I/O (esterno)

Morsettiere a 6 pin per:

- Input/Output Digitale
- Alimentazione (Uscita CC)
- Terra (GND)



Funzione	Pin	Note	Specifiche
GND	1, 4, 6	Terra	
Uscita CC	2	Alimentazione	12 V CC, 50 mA
Configurabile I/O 1 (ingresso o uscita)	3	Ingresso digitale	da 0 a +30 V CC
		Uscita digitale (transistor – collettore aperto)	Carico max. = 100 mA Tensione max. = +30 V CC
Configurabile I/O 2 (ingresso o uscita)	5	Ingresso digitale	da 0 a +30 V CC
		Uscita digitale (transistor – collettore aperto)	Carico max. = 100 mA Tensione max. = +30 V CC

Connettore del morsetto I/O (interno)

Morsettiera a 2 pin.



Installazione dell'Hardware

AVVISO

- Il prodotto deve essere collegato con un cavo di rete schermato (STP). Tutti i cavi che collegano il prodotto allo switch devono essere schermati (STP) e destinati al loro uso specifico. Assicurarsi che lo switch sia adeguatamente connesso a terra. Per maggiori informazioni sui requisiti normativi, consultare *Regulatory Information, on page 2*.
- La telecamera è dotata di una membrana deumidificante per mantenere basso il livello di umidità nella cupola. Per evitare fenomeni di condensa, non smontare il prodotto in caso di pioggia o elevata umidità atmosferica.
- Fare attenzione a non graffiare, danneggiare o lasciare impronte sul coperchio della cupola, perché potrebbe diminuire la qualità dell'immagine. Se possibile, tenere la protezione in plastica sul coperchio della cupola fino a quando l'installazione non sarà completata.

Il prodotto Axis può essere installato con i cavi che passano attraverso o lungo la parete o il tetto.

Nelle aree con temperatura superiore a 60 °C (140 °F), la telecamera deve essere posizionata in un luogo ad accesso limitato.

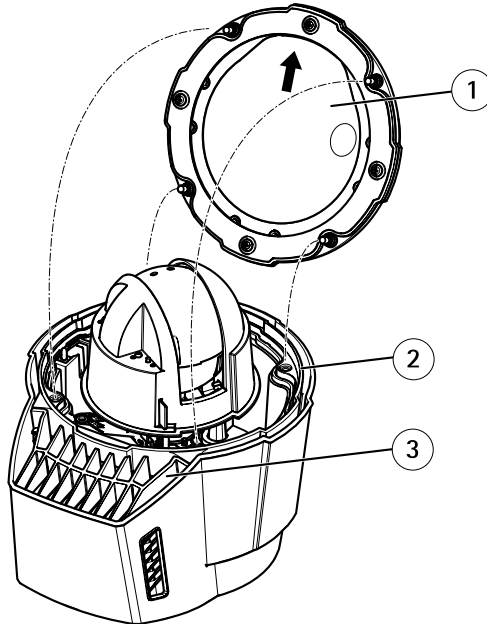
Leggere attentamente tutte le istruzioni prima di installare il prodotto. Alcune fasi d'installazione dovrebbero essere completate insieme perché richiedono la rimozione del coperchio della cupola.

- Rimuovere l'imballaggio protettivo tra la telecamera e il parasole prima di installare la telecamera.
- È possibile acquistare una copertura a cupola oscurata presso il proprio rivenditore Axis. Per sostituire il coperchio della cupola, consultare *pagina 119*.
- Una scheda SD standard o ad alta capacità (non inclusa) può essere utilizzata per memorizzare le registrazioni localmente nel prodotto. Per installare una scheda SD, consultare *pagina 120*.
- Per installare l'Alimentatore (venduto separatamente) e lo switch Media Converter in dotazione, consultare *pagina 120*.
- Per installare la telecamera di rete utilizzando una staffa compatibile da accessori di montaggio di AXIS T91A (venduto separatamente), consultare *Installazione della telecamera di rete*.

Sostituire il Coperchio della Cupola

La sostituzione del coperchio della cupola è necessaria solo se si desidera utilizzare un coperchio fumé o se il coperchio della cupola è graffiato o danneggiato. È possibile acquistare coperchi a cupola oscurati e coperchi trasparenti di ricambio presso il proprio rivenditore Axis.

1. Allentare le viti dell'anello della cupola e rimuovere il coperchio della cupola.
2. Rimuovere le viti della staffa della cupola e rimuovere la staffa cupola e il coperchio dall'anello della cupola.
3. Assicurarsi che la guarnizione in gomma sia ben fissata al coperchio della cupola.
4. Allineare la protuberanza sul coperchio della cupola con uno dei logotipi sull'anello della cupola.
5. Fissare la staffa e il coperchio della cupola all'anello della cupola e serrare le viti. (coppia 1.2 Nm).
6. Per installare una scheda SD (non inclusa), consultare *Installazione di una scheda SD, alla pagina 120*.
7. Per fissare il coperchio della cupola sulla copertura superiore, allineare la protuberanza sul coperchio della cupola con il sistema di raffreddamento della telecamera e serrare le viti (coppia 1.5 Nm).



1 Coperchio della cupola

- 2 Coperchio superiore
- 3 Sistema di raffreddamento

Installazione di una scheda SD

È facoltativo installare una scheda di memoria SD standard o ad alta capacità (non inclusa), che può essere usata per la registrazione in modalità locale con unità di archiviazione rimovibile.

1. Allentare le viti dell'anello della cupola e rimuovere il coperchio della cupola.
2. Inserire una scheda SD (non inclusa) nello slot per schede SD.
3. Per fissare il coperchio della cupola sulla copertura superiore, allineare la protuberanza sul coperchio della cupola con il sistema di raffreddamento della telecamera e serrare le viti (coppia 1.5 Nm).

AVVISO

Per prevenire il danneggiamento delle registrazioni, la scheda SD deve essere smontata prima dell'espulsione. Per smontare, andare su **Setup > System Options > Storage > SD Card (Configurazione > Opzioni di sistema > Archiviazione > Scheda SD)** e fare clic su **Smonta**.

Installazione dell'alimentatore e dello switch Media Converter

Lo switch Media Converter in dotazione consente al cavo multiplo di alimentare dall'alimentatore (venduto separatamente) e inviare e ricevere dati da e alle periferiche di allarme esterne e la rete.

AVVISO

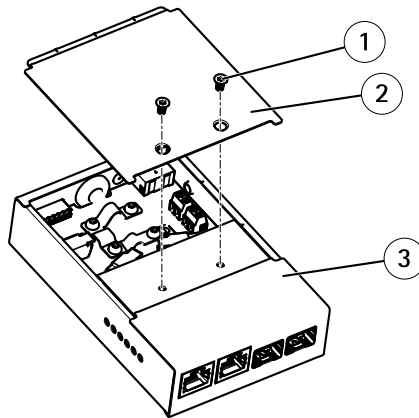
- Assicurarsi che le connessioni alla rete e le canaline siano state installate da un tecnico qualificato, secondo le istruzioni del produttore e in conformità alle normative locali.
- L'alimentatore (venduto separatamente) e lo switch Media Converter saranno installati in un ambiente protetto da polvere e acqua, per esempio all'interno o in un idoneo armadietto.
- Il prodotto deve essere collegato con un cavo di rete schermato (STP). Tutti i cavi che collegano il prodotto allo switch devono essere schermati (STP) e destinati al loro uso specifico. Assicurarsi che lo switch sia adeguatamente connesso a terra. Per maggiori informazioni sui requisiti normativi, consultare *Regulatory Information, on page 2*.

Importante

Axis garantisce un funzionamento corretto solo se si utilizza lo switch Media Converter in dotazione. Non supporta altri dispositivi.

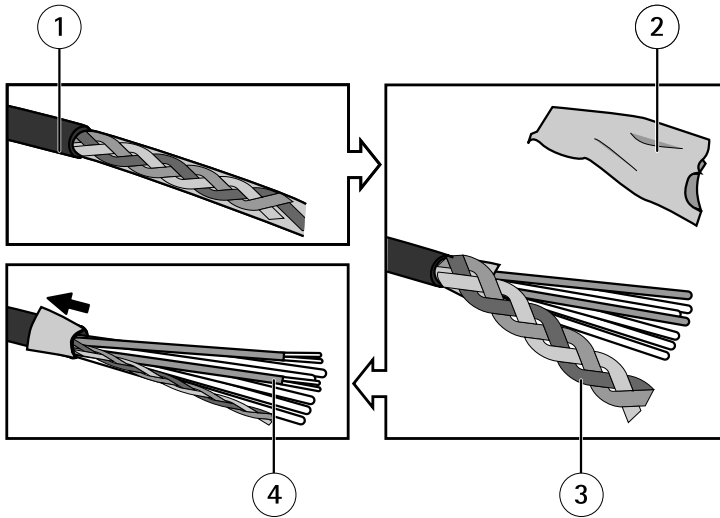
1. Assicurarsi che la rete sia scollegata.
2. Montare l'alimentatore e lo switch Media Converter alla parete o, se necessario, fissarli a una barra DIN nell'armadietto. Se è necessario forare, assicurarsi di utilizzare punte, viti e tasselli adatti al materiale.

3. Allentare le viti e rimuovere il coperchio dallo switch Media Converter.

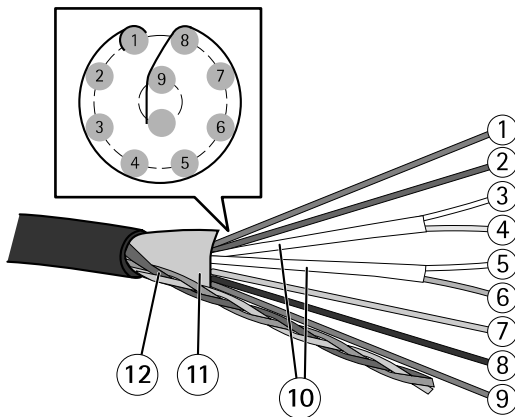


- 1 Vite (2)
- 2 Coperchio
- 3 Switch Media Converter

4. Togliere 40 mm (1.57 in) del rivestimento del cavo multiplo.
5. Lasciare intatto lo schermo intrecciato, ma tagliare 30 mm (1.18 in) dello schermo in lamina esterno.
6. Ripiegare il restante schermo in lamina esterno e torcere lo schermo intrecciato in una bobina.
7. Tagliare 7-8 mm circa (0.27-0.32 in) degli schermi in lamina del cavo Ethernet.
8. Togliere 7-8 mm circa (0.27-0.32 in) di tutti i rivestimenti del cavo.



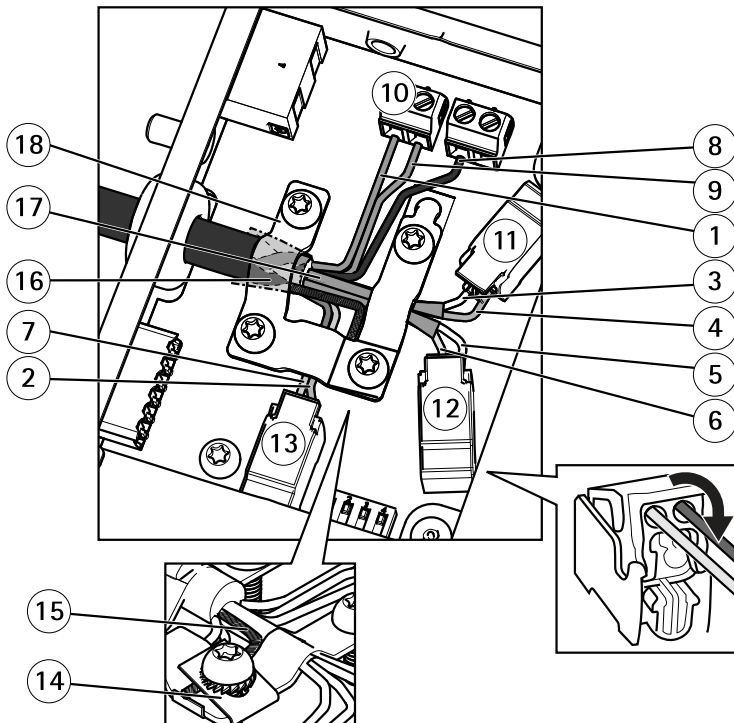
- 1 Rivestimento cavo multiplo
- 2 Schermo in lamina esterno
- 3 Schermo intrecciato
- 4 Schermo in lamina del cavo Ethernet (2)



- 1 Cavo di alimentazione (rosso)
- 2 Cavo digitale I/O (blu)
- 3 Cavo Ethernet (verde/bianco)
- 4 Cavo Ethernet (verde)
- 5 Cavo Ethernet (arancio/bianco)

- 6 Cavo Ethernet (arancio)
- 7 Cavo digitale I/O (giallo)
- 8 Filo di massa (nero)
- 9 Cavo di alimentazione (rosso)
- 10 Schermo in lamina del cavo Ethernet (2)
- 11 Schermo in lamina esterno
- 12 Bobina schermo intrecciato

- 9. Collegare i cavi di rete e di I/O ai connettori di rete e di I/O interni. Aprire il coperchio, inserire i cavi e chiudere.
- 10. Connettere i cavi di terra e di alimentazione al connettore di alimentazione (uscita CC).



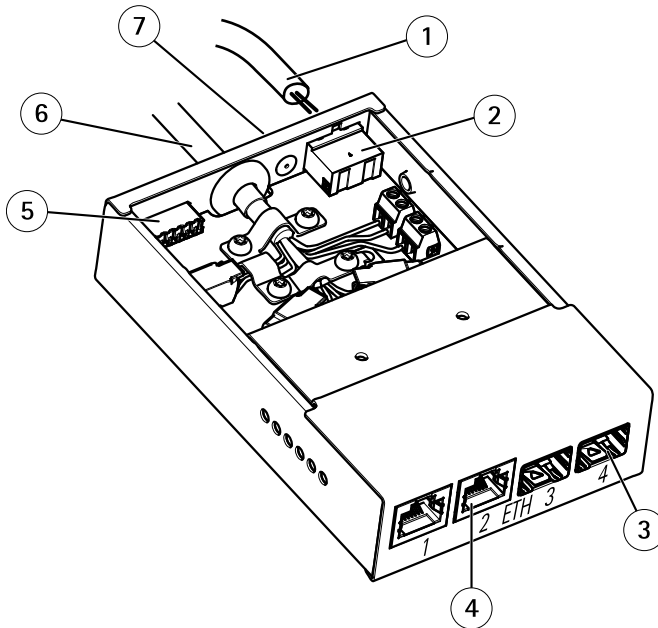
- 1 Cavo di alimentazione (rosso)
- 2 Cavo digitale I/O (blu)
- 3 Cavo Ethernet (verde/bianco)
- 4 Cavo Ethernet (verde)
- 5 Cavo Ethernet (arancio/bianco)
- 6 Cavo Ethernet (arancio)

- 7 *Cavo digitale I/O (giallo)*
- 8 *Filo di massa (nero)*
- 9 *Cavo di alimentazione (rosso)*
- 10 *Morsettiera di alimentazione (uscita CC)*
- 11 *Connettore Ethernet (interno)*
- 12 *Connettore Ethernet (interno)*
- 13 *Morsettiera I/O (interna)*
- 14 *Clip di massa*
- 15 *Bobina schermo intrecciato*
- 16 *Schermo in lamina esterno*
- 17 *Schermo del cavo Ethernet (2)*
- 18 *Morsetto*

11. Assicurarsi che il morsetto sia in posizione, inserire la bobina di schermo intrecciato nella clip di massa e serrare le viti.

AVVISO

- Gli schermi e le superfici del morsetto devono essere perfettamente in contatto l'uno con l'altro, così che il cavo multiplo sia a terra.
 - Assicurarsi che tutte le superfici e i contatti siano puliti e liberi da materiale di scarto dello schermo.
12. Collegare i cavi di rete ai connettori di rete esterni (RJ45, SFP) come richiesto.



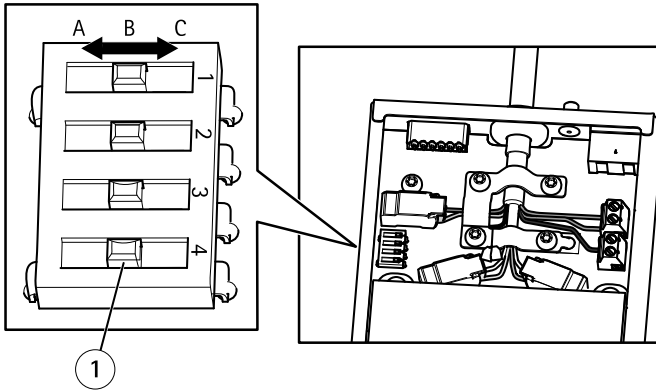
- 1 Cavo di alimentazione (ingresso CC)
- 2 Morsettiera di alimentazione (ingresso CC)
- 3 Connettore di rete SFP (esterno) (2)
- 4 Connettore di rete RJ45 (esterno) (2)
- 5 Morsettiera I/O (esterna)
- 6 Cavo multiplo IP66
- 7 Vite a terra

13. Se necessario, collegare una periferica I/O alla morsettiera I/O esterna.
14. Collegare il cavo di alimentazione (ingresso CC) alla morsettiera di alimentazione (ingresso CC).
15. Fissare il cavo di terra alla vite di terra.
16. Se si collegano diversi switch Media Converter in una catena a margherita, impostare il dip switch di ogni porta del connettore di rete in uscita che si collega a un altro switch Media Converter in posizione C.

Lasciare il dip switch nella posizione predefinita (posizione B) quando si collega la porta direttamente alla rete. Per ulteriori informazioni, consultare *Connettori switch Media Converter, alla pagina 112* e la Guida per l'utente.

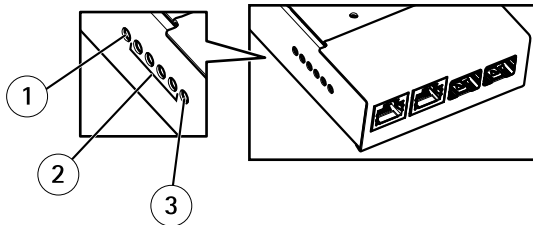
Importante

Usare l'impostazione del dip switch predefinita (posizione B) se il sistema non è definito.



1 Dip switch (4)

17. Fissare il coperchio allo switch Media Converter.
18. Inserire l'alimentazione di rete.
19. Verificare che gli indicatori LED dello switch Media Converter indichino le condizioni corrette. Per ulteriori informazioni, consultare *Indicatori LED Switch Media Converter*, alla pagina 113.



- 1 Indicatore LED di alimentazione
- 2 Indicatore LED di rete (4) ETH 1/2/3/4
- 3 Indicatore LED telecamera

Installazione della telecamera di rete

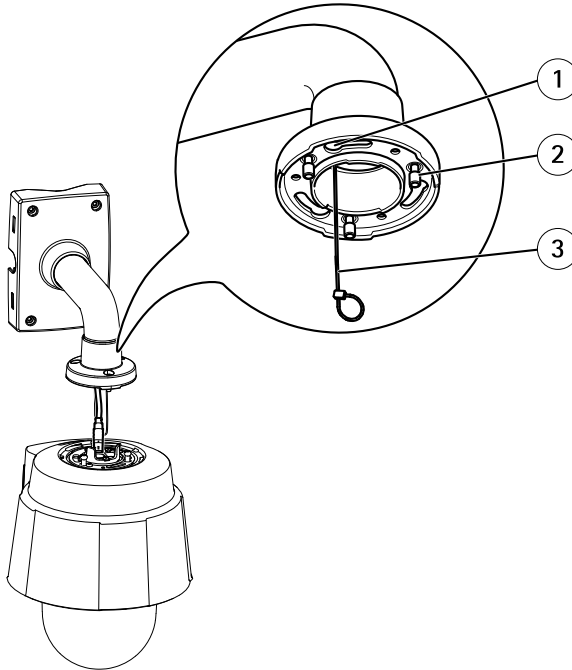
AVVISO

È necessario utilizzare il cavo multiconnettore in dotazione per mantenere inalterate le caratteristiche di tenuta e protezione di classe IP66 della telecamera.

1. Installare la staffa selezionata (venduta separatamente) secondo le istruzioni fornite con la staffa. Se è necessario forare, assicurarsi di utilizzare punte, viti e tasselli adatti

al materiale. Visitare il sito web www.axis.com per informazioni sugli accessori di montaggio disponibili.

2. Passare il cavo multiplo attraverso i fori della staffa di montaggio.
3. Fissare la telecamera utilizzando il cavo di sicurezza in dotazione.



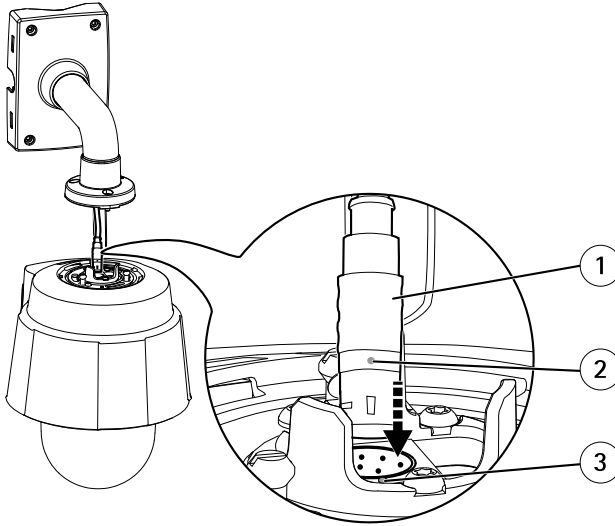
Esempio di montaggio (staffa a parete venduta separatamente)

- 1 Alloggiamento per i supporti dell'unità (3)
- 2 Vite T30 (2)
- 3 Cavo di sicurezza

4. Rimuovere il cappuccio di protezione che copre il multiconnettore della telecamera.
5. Collegare il cavo multiplo alla morsetteria della telecamera. Usare gli indicatori di allineamento per trovare la posizione corretta.

AVVISO

Fare attenzione a non danneggiare il cavo multiconnettore quando lo si collega.



Esempio di montaggio (staffa a parete venduta separatamente)

- 1 Cavo multiplo
- 2 Indicatore di allineamento - cavo multiconnettore
- 3 Indicatore di allineamento - telecamera

6. Far scorrere i supporti dell'unità sulla telecamera nelle fessure della staffa di montaggio e ruotare la telecamera.
7. Fissare la telecamera di rete alla staffa di montaggio serrando le viti.

Accedere al Prodotto

Utilizzare le utility contenute nel CD del software d'installazione e gestione per assegnare un indirizzo IP, impostare la password ed accedere al flusso video. Queste informazioni sono disponibili anche sulle pagine dedicate all'assistenza sul sito www.axis.com/techsup/

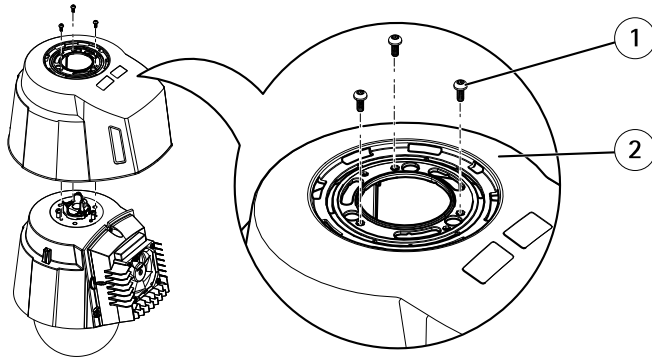
Pulizia del dissipatore di calore esterno

La formazione di polvere e particelle potrebbe influire sulle prestazioni del sistema di raffreddamento. Per mantenere il livello di prestazioni, il dissipatore di calore esterno nel sistema di raffreddamento della telecamera può necessitare occasionalmente o regolarmente di pulizia.

ATTENZIONE

Il dissipatore di calore potrebbe essere caldo. Fare attenzione quando si tocca il dissipatore di calore e il coperchio del dissipatore di calore. Se necessario, lasciar raffreddare la telecamera prima di toccarla.

1. Scollegare il cavo multiplo.
2. Allentare le viti e rimuovere il parasole.

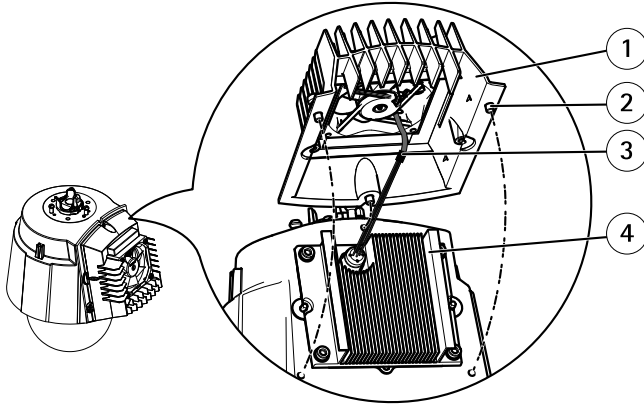


- 1 *Vite T20 (3)*
- 2 *Parasole*

3. Rimuovere le viti (Torx T30) e sollevare il coperchio del dissipatore di calore.

AVVISO

Non deformare i cavi dei ventilatori o lasciare che il coperchio del dissipatore di calore rimanga appeso ai cavi del ventilatore.



- 1 Coperchio del dissipatore di calore
- 2 Vite T30 (3)
- 3 Cavi del ventilatore
- 4 Dissipatore di calore

4. Rimuovere la polvere e i granelli di polvere soffiando sul dissipatore di calore, per esempio usando un piccolo compressore d'aria o una bomboletta d'aria compressa. Il dissipatore di calore può anche essere risciacquato con acqua pura.
5. Rimontare il dissipatore di calore nella posizione originale, quindi serrare le viti (coppia 2.4 ± 0.2 Nm).
6. Rimontare il parasole nella posizione originale, quindi serrare le viti (coppia $1,2 \pm 0,1$ Nm).
7. Collegare il cavo multiplo alla morsettiera della telecamera.

Ripristino dei valori predefiniti di fabbrica

Importante

Il ripristino delle impostazioni di fabbrica deve essere usato con cautela. Un ripristino delle impostazioni di fabbrica consentirà di ripristinare le impostazioni di fabbrica per tutti i parametri, incluso l'indirizzo IP.

Per ripristinare il prodotto alle impostazioni predefinite di fabbrica:

1. Premere e tener premuti il pulsante di controllo e il pulsante di accensione per circa 15-30 secondi fino a quando il LED di stato lampeggerà in giallo. Vedere *Panoramica dell'Hardware, alla pagina 106*.
2. Rilasciare il pulsante di controllo, ma continuare a tenere premuto il pulsante di accensione fino a quando il LED di stato diventa verde.
3. Rilasciare il pulsante di accensione e montare il prodotto.

4. A questo punto il processo è completato. Il prodotto è stato reimpostato alle impostazioni di fabbrica predefinite. Se nessun server DHCP è disponibile in rete, l'indirizzo IP predefinito è 192.168.0.90
5. Utilizzare le utility contenute nel CD del software d'installazione e gestione per assegnare un indirizzo IP, impostare la password ed accedere al flusso video. Queste informazioni sono disponibili anche sulle pagine dedicate all'assistenza sul sito www.axis.com/techsup/

È anche possibile reimpostare i parametri alle impostazioni predefinite in fabbrica mediante l'interfaccia web. Andare a **Setup > System Options > Maintenance (Configurazione > Opzioni di sistema > Manutenzione)**.

Ulteriori informazioni

Il Manuale per l'utente è disponibile all'indirizzo www.axis.com

Visitare il sito www.axis.com/techsup per verificare se sono disponibili aggiornamenti del firmware per il prodotto di rete. Per conoscere la versione del firmware attualmente installata, andare su **Setup (Configurazione) > About (Informazioni)**.

Visitare il Centro di formazione Axis alla pagina www.axis.com/academy per utili webinar, esercitazioni, formazione e guide.

Informazioni sulla garanzia

Per informazioni sulla garanzia del prodotto Axis e informazioni ad esso relative, consultare la pagina www.axis.com/warranty/

Información de seguridad

Lea atentamente la Guía de instalación antes de instalar el producto. Guarde la Guía de instalación para futuras consultas.

Niveles de peligro

▲PELIGRO

Indica una situación peligrosa que, si no se evita, provocará lesiones graves o la muerte.

▲ADVERTENCIA

Indica una situación peligrosa que, si no se evita, puede provocar lesiones graves o la muerte.

▲ATENCIÓN

Indica una situación peligrosa que, si no se evita, puede provocar lesiones moderadas o leves.

AVISO

Indica una situación peligrosa que, si no se evita, puede provocar daños materiales.

Otros niveles de mensaje

Importante

Indica información importante que es fundamental para que el producto funcione correctamente.

Nota

Indica información útil que ayuda a aprovechar el producto al máximo.

Instrucciones de seguridad

⚠️ ADVERTENCIA

- El encargado de instalar el producto de Axis debe ser un profesional con experiencia.

AVISO

- El producto de Axis debe utilizarse de acuerdo con las leyes y normas locales.
- Almacene el producto de Axis en un entorno seco y ventilado.
- Evite la exposición del producto de Axis a choques o a una fuerte presión.
- No instale el producto en soportes, superficies o paredes inestables.
- Utilice solo las herramientas correspondientes cuando instale el producto de Axis. La aplicación de una fuerza excesiva puede provocar daños en el producto.
- No utilice limpiadores en aerosol, agentes cáusticos ni productos químicos. Limpie con un trapo limpio humedecido con agua pura.
- Utilice solo accesorios que cumplan con las especificaciones técnicas del producto. Estos accesorios los puede proporcionar Axis o un tercero.
- Utilice solo piezas de repuesto proporcionadas o recomendadas por Axis.
- No intente reparar el producto usted mismo. Póngase en contacto con el soporte técnico de Axis o con su distribuidor de Axis para tratar asuntos de reparación.

Transporte

AVISO

- Conserve el embalaje de protección. Para transportar el producto, el embalaje de protección debe ser colocado en su posición original.
- A la hora de transportar el producto Axis, utilice el embalaje original o uno equivalente para no dañar el producto.

Batería

El producto Axis utiliza una batería de litio BR2032 de 3,0 V como fuente de alimentación para su reloj de tiempo real interno (RTC). En condiciones normales, esta batería durará un mínimo de cinco años.

Cuando la batería tiene poca carga, el funcionamiento del RTC se puede ver afectado, ya que esto puede hacer que se reinicie cada vez que se encienda. Aparecerá un mensaje de información cuando sea necesario sustituir la batería.

La batería no debe ser reemplazada a no ser que sea necesario y, si es necesario, contacte con el soporte técnico de Axis www.axis.com/techsup/ para obtener ayuda.

▲ADVERTENCIA

- Riesgo de explosión si la batería se sustituye de forma incorrecta.
- Haga la sustitución únicamente con una batería idéntica o que esté recomendada por Axis.
- Deseche las baterías usadas según las instrucciones del fabricante o las normas locales.

Cubierta del domo

AVISO

- Preste atención a no arañar, dañar o dejar las huellas en la cubierta del domo, puesto que esto puede provocar una disminución de la calidad de imagen. Si es posible, mantenga el plástico de protección en la cubierta del domo hasta que se complete la instalación.
- No limpie la cubierta del domo si parece a simple vista que está limpia y nunca pule la superficie. Una limpieza excesiva podría dañar la superficie.
- Para realizar un procedimiento de limpieza general de la cubierta del domo se recomienda usar detergente o jabón neutros, sin disolventes y no abrasivos mezclados con agua pura, y un trapo suave y limpio. Enjuague bien con agua pura y tibia. Seque con un trapo limpio y suave para evitar las manchas de gotas de agua.
- Nunca utilice detergentes abrasivos, gasolina, benceno, acetona, etc. y evite limpiar la cubierta del domo a temperaturas elevadas o en contacto directo con la luz solar.

Guía de instalación

Esta Guía de instalación incluye las instrucciones necesarias para instalar la cámara domo de red PTZ AXIS Q6042-C, AXIS Q6044-C o AXIS Q6045-C en su red. Para conocer otros aspectos de uso del producto, consulte el Manual del usuario disponible en www.axis.com

Pasos de la instalación

1. Asegúrese de que dispone del contenido del paquete, las herramientas y los demás materiales necesarios para la instalación. Vea *página 137*.
2. Estudie la información general del hardware. Vea *página 138*.
3. Estudie las especificaciones. Vea *página 146*.
4. Instale el hardware. Vea *página 150*.
5. Acceda al producto. Vea *página 160*.

Contenido del paquete

- Cámara domo de red PTZ Q6042-C/Q6044-C/Q6045-C
- Limpieza de la cubierta del domo (montaje previo)
- Conmutador de conversión de medios AXIS T8605
- Cable multiconector (IP66), 7 m
- CD del software de instalación y gestión
- Materiales impresos
 - Guía de instalación (este documento)
 - Etiquetas adicionales con el número de serie (2x)
 - Clave de autenticación AVHS

Herramientas recomendadas

- Pelacables
- Destornillador Phillips PH2: si se sustituye la cubierta del domo
- Destornillador Torx T20: para limpiar el disipador térmico exterior cuando sea necesario
- Destornillador Torx T30: para instalar la cámara en un soporte compatible con accesorios de montaje AXIS T91A y si se sustituye la cubierta del domo

Accesorios opcionales

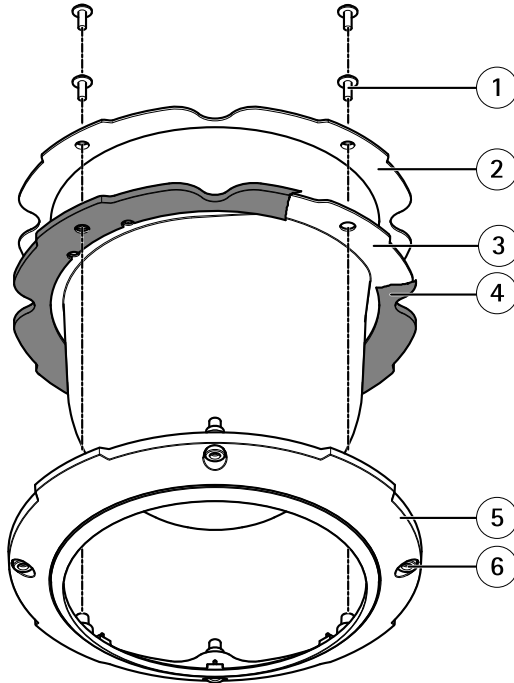
- Cubierta del domo ahumada
- Fuente de alimentación

- Accesorios de montaje AXIS T91A

Para obtener información sobre los accesorios disponibles, vea www.axis.com.

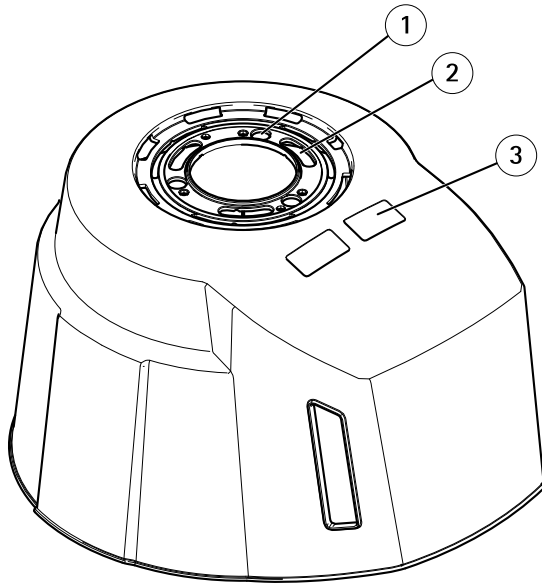
Presentación del hardware

Cubierta del domo



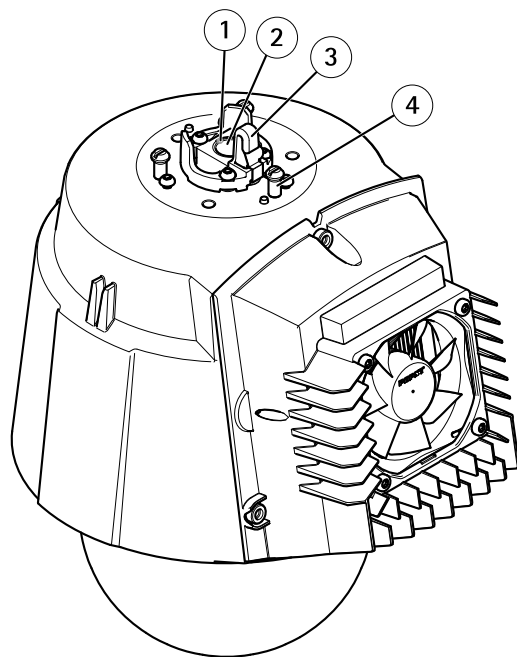
- 1 Tornillo del soporte del domo PH2 (4x)
- 2 Soporte del domo
- 3 Cubierta del domo
- 4 Junta de goma
- 5 Anillo del domo
- 6 Tornillo del anillo del domo T30 (4x)

Parasol



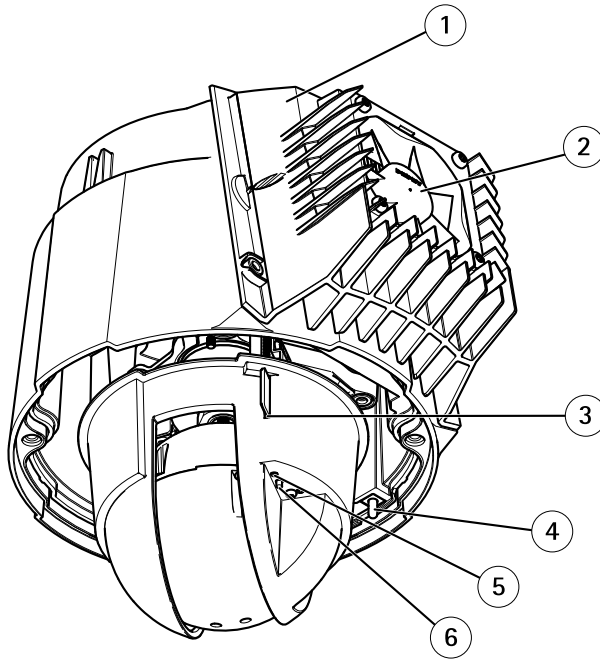
- 1 Orificio para tornillo (3x)
- 2 Orificio para el soporte de la unidad (3x)
- 3 Número de pieza (N/P) y número de serie (N/S)

Unidad de cámara: vista superior



- 1 *Indicador de alineación*
- 2 *Multiconector*
- 3 *Gancho para cable de seguridad*
- 4 *Soporte de la unidad (3x)*

Unidad de cámara: vista inferior



- 1 *Sistema de refrigeración*
- 2 *Ventilador*
- 3 *Ranura para tarjetas SD (SDHC)*
- 4 *Botón de encendido (solo con configuración predeterminada de fábrica)*
- 5 *Botón de control*
- 6 *Indicador LED de estado*

Indicadores LED

LED	Color	Indicación
Estado	Apagado	Conexión y funcionamiento normal
	Ámbar	Fijo durante el inicio. Parpadea durante la actualización del firmware.
	Ámbar/rojo	Parpadea en ámbar/rojo si la conexión a la red no está disponible o se ha perdido.
	Rojo	Parpadea en rojo si se produce un error durante la actualización del firmware.
	Verde	Se muestra fijo durante 10 segundos para indicar un funcionamiento normal después del reinicio.

Conectores

Para conocer las especificaciones y las condiciones de funcionamiento, vea *página 146*.

Ranura para tarjetas SD – Puede emplearse una tarjeta SD estándar o de gran capacidad (no incluida) para la grabación local con almacenamiento extraíble.

AVISO

Antes de retirar la tarjeta SD, hay que desinstalarla para evitar que las grabaciones resulten dañadas. Para desinstalarla, vaya a **Setup > System Options > Storage > SD Card** (Configuración > Opciones del sistema > Almacenamiento > Tarjeta SD) y haga clic en **Unmount** (Desinstalar).

Botón de control – El botón de control se utiliza para lo siguiente:

- Restablecer el producto a la configuración predeterminada de fábrica. Vea *página 162*.
- Conectarse a un servicio AXIS Video Hosting System o al Servicio de DNS dinámico de Internet de AXIS. Para obtener más información sobre estos servicios, vea el Manual del usuario.

Botón de encendido – Mantenga pulsado el botón de encendido para alimentar temporalmente el producto cuando se haya retirado la cubierta del domo. El botón de encendido también se utiliza junto con el botón de control para restablecer la cámara a la configuración predeterminada de fábrica. Vea *página 162*.

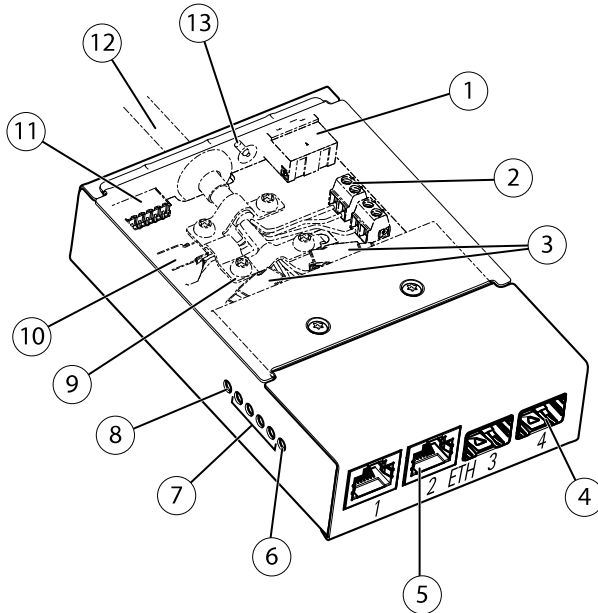
Multiconector – Conector de terminales para la conexión del conmutador de conversión de medios suministrado, que proporciona las señales siguientes:

- Alimentación de CC

- Red (Ethernet 10/100Base-T)
- Entrada/salida (E/S)

Se debe usar el cable multiconector suministrado para mantener la clasificación IP del producto; vea *Cable multiconector*, en la página 145.

Conmutador de conversión de medios



- 1 Conector de corriente (entrada de CC)
- 2 Conector de corriente (salida de CC)
- 3 Conector de red (interno)
- 4 Conector de red SFP (externo) (2x)
- 5 Conector de red RJ45 (externo) (2x)
- 6 Indicador LED de la cámara
- 7 Indicador LED de red (4x)
- 8 Indicador LED de corriente
- 9 Clip de tierra
- 10 Conector de E/S (interno)
- 11 Conector de E/S (externo)
- 12 Cable multiconector
- 13 Tornillo de tierra

Conectores del conmutador de conversión de medios

Para conocer las especificaciones, vea *página 146*.

AVISO

El producto se conectará mediante un cable de red blindado (STP). Todos los cables que conecten el producto al conmutador deberán estar blindados (STP) y diseñados para su uso específico. Asegúrese de que el conmutador disponga de una conexión a tierra adecuada. Para obtener información sobre los requisitos normativos, vea .

Importante

El conmutador de conversión de medios no es compatible con el intercambio en funcionamiento. Desenchufe la corriente del conmutador antes de intercambiar las cámaras. Si intenta efectuar un intercambio en funcionamiento, es posible que el conmutador se bloquee y sea necesario reiniciarlo.

Conector de corriente (entrada de CC) – Bloque de terminales de 2 pines para la entrada de alimentación.

Conector de corriente (salida de CC) – Dos bloques de terminales de 2 pines para la salida de alimentación (el terminal 4 no se usa).

Conector de red RJ45 (externo) – Dos conectores RJ45 (10/100Base-T) para la conectividad de red.

Conector de red SFP (externo) – Dos conectores SFP (100Base-FX/1000Base-X) para la conectividad de red.

Los puertos del conector de red RJ45 y SFP cuentan con sus propios conmutadores DIP. Los conmutadores DIP controlan la forma en la que el puerto envía los datos. Para obtener más información, vea el manual de usuario.

Posición del conmutador DIP		Descripción de uso
Predeterminado (parte central)	B	Cuando se conecta a la red, directamente o a través de un conmutador de red o enrutador.
Izquierda	A	Cuando se conecta a una cámara o a un dispositivo no creado para la visualización de datos.
Derecha	C	Cuando se conecta a otro conmutador de conversión de medios.

Conector de red (interno) – Dos bloques de terminales Ethernet de 2 pines.

Conector de E/S (externo) – Bloque de terminales de E/S configurable de 6 pines que se conecta a la cámara a través del cable multiconector. Se utiliza con dispositivos externos combinados por

ejemplo, con alarmas antimanipulación, detección de movimiento, activación de eventos, grabación de intervalos de tiempo y notificaciones de alarma. Además de la tierra y la corriente (salida de CC), el conector del terminal de E/S proporciona la interfaz para lo siguiente:

- **Salida digital:** para conectar dispositivos externos como relés y LED. Los dispositivos conectados se pueden activar mediante la Interfaz de programación de aplicaciones (API) VAPIX®, los botones de salida de la página Live View o mediante una regla de acción. La salida se mostrará activa (se indica en **System Options > Port & Devices> Port Status** [Opciones del sistema > Puerto y dispositivos > Estado del puerto]) si el dispositivo de alarma está activado.
- **Entrada digital:** una entrada de alarma para conectar dispositivos que puedan alternar circuitos cerrados y abiertos, como: detectores PIR, contactos de puertas y ventanas, detectores de rotura de cristales, etc. Cuando se recibe una señal, el estado cambia y la entrada se vuelve activa (se indica en **System Options > Port & Devices > Port Status** [Opciones del sistema > Puerto y dispositivos > Estado del puerto]).

Conector de E/S (interno) – Bloque de terminales de E/S de 2 pines.

Indicadores LED del conmutador de conversión de medios

LED	Color	Indicación
Alimentación	Apagado	Alimentación CC sin conectar o protección de corriente bloqueada (potencia excesiva)
	Verde	Alimentación CC conectada.
Red (4x)	Ámbar	Conexión de 10 Mbits. Parpadea durante la actividad.
	Verde	Conexión de 100/1000 Mbits. Parpadea durante la actividad.
Cámara	Verde	Conexión de 100 Mbits. Parpadea durante la actividad.

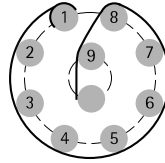
Cable multiconector

Se debe usar el cable multiconector suministrado para mantener la clasificación IP de la cámara.

Conecte el cable multiconector al multiconector de la cámara y a los conectores del conmutador de conversión de medios suministrado. Vea *página 138*.

El cable proporciona las siguientes señales:

- Alimentación de CC
- Red (Ethernet 10/100Base-T)
- Entrada/salida (E/S)



Función	Pin: cable	Notas	Especificaciones
Configurable (entrada o salida)	2: azul	Entrada digital: conecte a GND (tierra) para activarla o déjela suelta (desconectada) para desactivarla.	De 0 a +30 V CC
	7: amarillo	Salida digital: conexión interna a tierra cuando se activa; suelta (sin conectar) cuando está desactivada. Si se utiliza con un relé externo, debe conectarse un diodo en paralelo a la carga como protección ante transitorios de tensión.	Carga máx. = 100 mA Voltaje máx. = +30 V CC
RX+	3: verde/blanco	Ethernet: recepción	
RX-	4: verde	Ethernet: recepción	
TX+	5: naranja/blanco	Ethernet: transmisión	
TX-	6: naranja	Ethernet: transmisión	
GND	8: negro	Tierra	
Potencia de 12 V	1 y 9: rojo	Se utiliza para conectar la cámara.	12-13,2 V CC Carga máx. = 6 A

Especificaciones

Condiciones de funcionamiento

El producto de Axis se ha creado para su uso en exteriores.

Clasificación	
AXIS Q6042-C/Q6044-C/Q6045-C	IEC 60721-3-4 Clase 4K4H, 4M4 IEC 60529 IP66 NEMA 250 Tipo 4x MIL-STD 810G 500.5, 501.5, 502.5, 503.5, 505.5, 506.5, 507.5, 509.5, 510.5 ¹ , 514.6

1. Protección contra la entrada de arena y polvo. Es posible que tenga que sustituir la cubierta del domo normal/ahumada si se expone a chorros de arena.

Temperatura	
AXIS Q6042-C/Q6044-C/Q6045-C	-De -20 °C a 75 °C con refrigeración activa

Humedad	
AXIS Q6042-C/Q6044-C/Q6045-C	Humedad relativa del 10 al 100 % (sin condensación)

Condiciones de almacenamiento

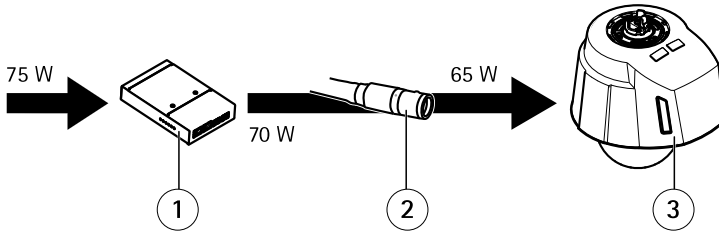
Temperatura	
AXIS Q6042-C/Q6044-C/Q6045-C	De -20 °C a 75 °C

Especificaciones eléctricas

AVISO

Para confirmar el cumplimiento con los requisitos de tensión baja de protección (SELV) y de fuente de potencia limitada (LPS), use la fuente de alimentación recomendada por Axis (se vende por separado). Para información sobre los accesorios de alimentación compatibles, vea www.axis.com.

Producto	Función	Descripción
Cámara de red	Alimentación de entrada	65 W (mín.)
Conmutador de conversión de medios	Tensión de entrada	12,0–13,2 V CC
	Corriente de entrada	6,25 A (mín.)
	Alimentación de entrada	75 W (mín.)
	Potencia de salida disponible	70 W (mín.)
	Tensión de salida nominal	12,5 V CC

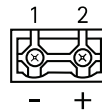


- 1 Conmutador de conversión de medios
- 2 Cable multiconector
- 3 Cámara de red

Conectores del conmutador de conversión de medios

Conector de corriente (entrada de CC)

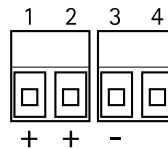
Bloque de terminales de 2 pines para la entrada de alimentación.



Función		Pin	Notas	Especificaciones
Entrada de CC	GND	1	Tierra	
	12 V CC	2	Entrada de fuente de alimentación (se vende por separado)	Carga máx. = 7 A 12,0–13,2 V CC, mín. 75 W

Conector de corriente (salida de CC)

Dos bloques de terminales de 2 pines para la salida de alimentación (el bloque de terminales de 4 pines no se usa).



Función		Pin	Notas	Especificaciones
Salida de CC	12 V CC	1, 2	Salida a la cámara	Carga máx. = 6,5 A 12,0–13,2 V DC, mín. 70 W
	GND	3	Tierra	
	N/a	4	N/a	

Conector de red (interno)

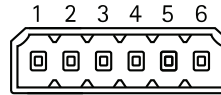
Dos bloques de terminales Ethernet de 2 pines.



Conector del terminal de E/S (externo)

Bloques de terminales de 6 pines para:

- Entrada/salida digital
- Encendido (salida de CC)
- Tierra (GND)



Función	Pin	Notas	Especificaciones
GND	1, 4, 6	Tierra	
Salida de CC	2	Salida	12 V CC, 50 mA
E/S configurable 1 (entrada o salida)	3	Entrada digital	De 0 a +30 V CC
		Salida digital (transistor: colector abierto)	Carga máx. = 100 mA Tensión máx. = +30 V CC
E/S configurable 2 (entrada o salida)	5	Entrada digital	De 0 a +30 V CC
		Salida digital (transistor: colector abierto)	Carga máx. = 100 mA Tensión máx. = +30 V CC

Conector del terminal de E/S (interno)

Bloque de terminales de 2 pines.



Instalación del hardware

AVISO

- El producto se conectará mediante un cable de red blindado (STP). Todos los cables que conecten el producto al conmutador deberán estar blindados (STP) y diseñados para su uso específico. Asegúrese de que el conmutador disponga de una conexión a tierra adecuada. Para obtener información sobre los requisitos normativos, vea *Regulatory Information, on page 2*.
- El producto cuenta con una membrana deshumidificadora para la conservación de niveles bajos de humedad dentro del domo. Para evitar la condensación, no desmonte el producto en situaciones de lluvia o humedad.
- Preste atención a no arañar, dañar o dejar las huellas en la cubierta del domo, puesto que esto puede provocar una disminución de la calidad de imagen. Si es posible, mantenga el plástico de protección en la cubierta del domo hasta que se complete la instalación.

El producto de Axis puede instalarse con los cables dirigidos hacia la pared o el techo o a lo largo de estos.

El producto debe colocarse en una ubicación de acceso restringido en zonas en las que la temperatura sea superior a los 60 °C .

Lea todas las instrucciones antes de instalar el producto. Es recomendable realizar algunos pasos de la instalación juntos, ya que en ellos se precisa la extracción de la cubierta del domo.

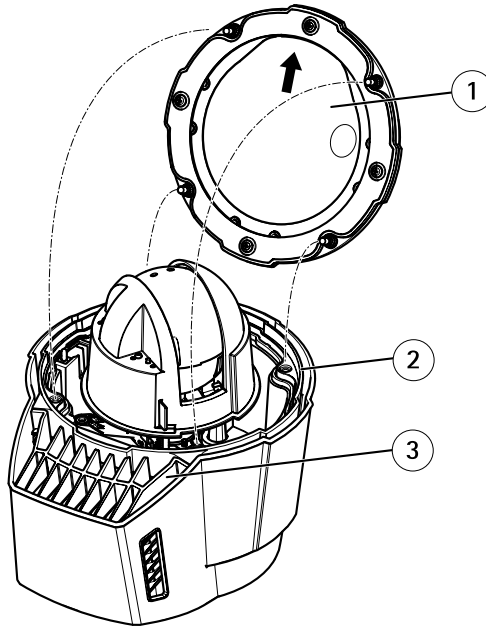
- Retire el embalaje de protección entre la cámara y el parasol antes de instalar la cámara.
- Su distribuidor de Axis puede proporcionarle una cubierta del domo ahumada. Para sustituir la cubierta del domo, vea *página 150*.
- Puede emplearse una tarjeta SD estándar o de gran capacidad (no incluida) para el almacenamiento local de grabaciones en el producto. Para instalar una tarjeta SD, vea *página 151*.
- Para instalar la fuente de alimentación (se vende por separado) y el conmutador de conversión de medios suministrado, vea *página 152*.
- Para instalar la cámara de red con un soporte compatible con los accesorios de montaje AXIS T91A, vea *Instalación de la cámara de red*.

Sustitución de la cubierta del domo

La sustitución de la cubierta del domo solo es necesaria si desea usar una cubierta del domo ahumada o si la cubierta del domo se ha arañado o dañado. Su distribuidor de Axis puede proporcionarle las cubiertas del domo ahumadas y las normales de repuesto.

1. Afloje los tornillos del anillo del domo y extraiga la cubierta del domo.
2. Extraiga los tornillos del soporte del domo y retire el soporte y la cubierta del domo del anillo.
3. Asegúrese de que la junta de goma se ajusta correctamente a la cubierta del domo.

4. Alinee la protuberancia de la cubierta del domo con los logotipos del anillo del domo.
5. Conecte el soporte del domo y la cubierta del domo al anillo de este y apriete los tornillos (par de torsión de 1,2 Nm).
6. Para instalar una tarjeta SD (no incluida), vea *Instalación de una tarjeta SD, en la página 151*.
7. Para conectar la cubierta del domo a la cubierta superior, alinee la protuberancia de la cubierta del domo con el sistema de refrigeración de la unidad de cámara y apriete los tornillos (par de torsión de 1,5 Nm).



- 1 *Cubierta del domo*
- 2 *Cubierta superior*
- 3 *Sistema de refrigeración*

Instalación de una tarjeta SD

La instalación de una tarjeta SD estándar o de gran capacidad (no incluida) para la grabación local con almacenamiento extraíble es opcional.

1. Afloje los tornillos del anillo del domo y extraiga la cubierta del domo.
2. Inserte una tarjeta SD (no incluida) en la ranura de tarjetas SD.

3. Para conectar la cubierta del domo a la cubierta superior, alinee la protuberancia de la cubierta del domo con el sistema de refrigeración de la unidad de cámara y apriete los tornillos (par de torsión de 1,5 Nm).

AVISO

Antes de extraer la tarjeta SD, hay que desinstalarla para evitar que las grabaciones resulten dañadas. Para desinstalarla, vaya a **Setup > System Options > Storage > SD Card** (Configuración > Opciones del sistema > Almacenamiento > Tarjeta SD) y haga clic en **Unmount** (Desinstalar).

Instalación de la fuente de alimentación y del conmutador de conversión de medios

El conmutador de conversión de medios suministrado permite al cable multiconector enviar corriente de la fuente de alimentación (se vende por separado) y enviar y recibir datos desde los dispositivos de alarma externos y la red y hacia ellos.

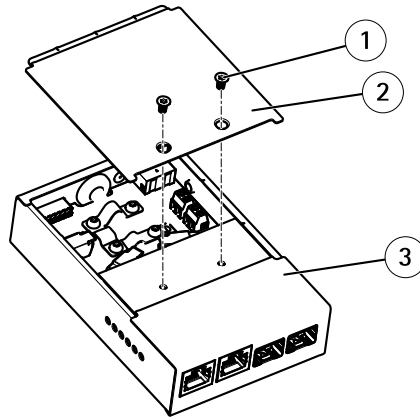
AVISO

- Asegúrese de que un profesional con experiencia haya realizado las conexiones a los conductos y a la alimentación de red según las instrucciones del fabricante y de acuerdo con las normativas locales.
- La fuente de alimentación (se vende por separado) y el conmutador de conversión de medios deben instalarse en un entorno protegido contra el polvo y el agua, por ejemplo en interiores o en una cabina apropiada.
- El producto se conectará mediante un cable de red blindado (STP). Todos los cables que conecten el producto al conmutador deberán estar blindados (STP) y diseñados para su uso específico. Asegúrese de que el conmutador disponga de una conexión a tierra adecuada. Para obtener información sobre los requisitos normativos, vea *Regulatory Information, on page 2*.

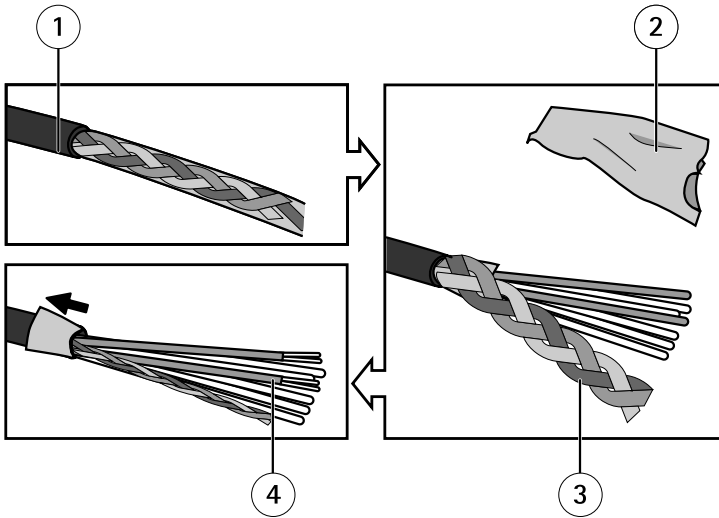
Importante

Axis solo puede garantizar una funcionalidad completa con el conmutador de conversión de medios suministrado. No son compatibles otros dispositivos.

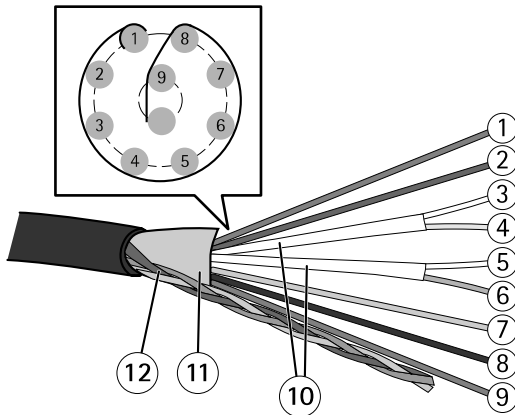
1. Asegúrese de que la alimentación de red esté apagada.
2. Monte la fuente de alimentación y el conmutador de conversión de medios en la pared, o si correspondiera, fijelos a un raíl DIN de la cabina. Si es necesaria la perforación, asegúrese de usar brocas, tornillos y tapones apropiados para el material.
3. Afloje los tornillos y extraiga la cubierta del conmutador de conversión de medios.



- 1 Tornillo (2x)
 - 2 Cubierta
 - 3 Conmutador de conversión de medios
4. Pele 40 mm de la cubierta del cable multiconector.
 5. Mantenga la cubierta trenzada intacta, pero corte 30 mm de la cubierta blindada exterior.
 6. Vuelva a desplegar la cubierta blindada exterior sobrante y enrolle la cubierta trenzada en una bobina.
 7. Corte aproximadamente 7-8 mm de la cubierta blindada de cable Ethernet.
 8. Pele aproximadamente 7-8 mm de todas las cubiertas del cable.



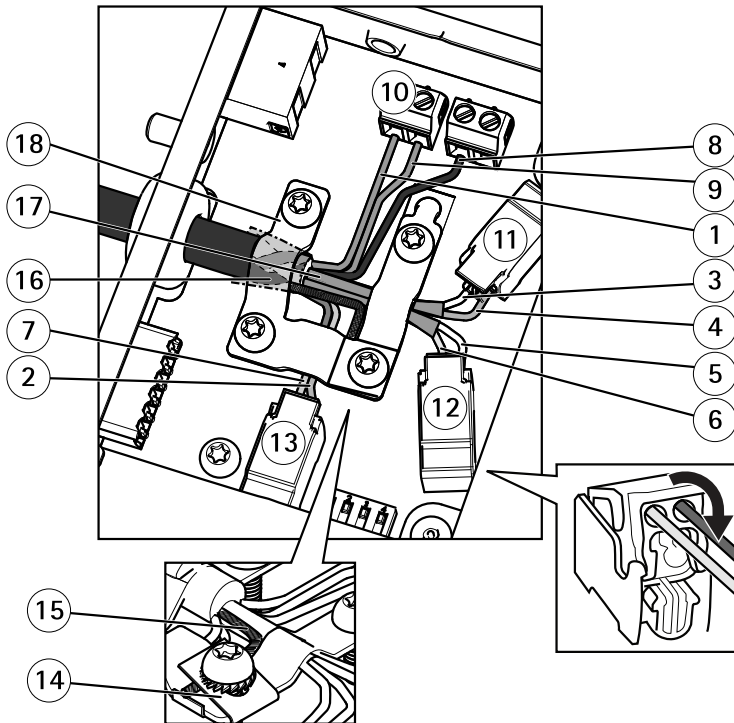
- 1 Cubierta del cable multiconector
- 2 Cubierta blindada exterior
- 3 Cubierta trenzada
- 4 Cubierta blindada del cable Ethernet (2x)



- 1 Cable de alimentación (rojo)
- 2 Cable de E/S digital (azul)
- 3 Cable Ethernet (verde/blanco)
- 4 Cable Ethernet (verde)
- 5 Cable Ethernet (naranja/blanco)

- 6 Cable Ethernet (naranja)
- 7 Cable de E/S digital (amarillo)
- 8 Cable de tierra (negro)
- 9 Cable de alimentación (rojo)
- 10 Cubierta blindada del cable Ethernet (2x)
- 11 Cubierta blindada exterior
- 12 Bobina de cubierta trenzada

- 9. Conecte la red y los cables de E/S a la red interna y a los conectores de E/S. Abra la tapa, inserte los cables y ciérrela.
- 10. Conecte los cables de tierra y alimentación al conector de alimentación (salida CC).



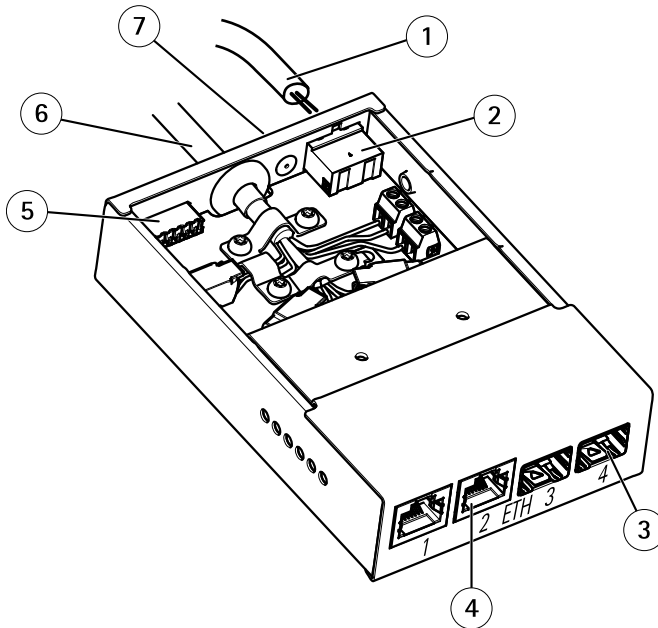
- 1 Cable de alimentación (rojo)
- 2 Cable de E/S digital (azul)
- 3 Cable Ethernet (verde/blanco)
- 4 Cable Ethernet (verde)
- 5 Cable Ethernet (naranja/blanco)

- 6 *Cable Ethernet (naranja)*
- 7 *Cable de E/S digital (amarillo)*
- 8 *Cable de tierra (negro)*
- 9 *Cable de alimentación (rojo)*
- 10 *Conector de corriente (salida de CC)*
- 11 *Conector Ethernet (interno)*
- 12 *Conector Ethernet (interno)*
- 13 *Conector de E/S (interno)*
- 14 *Clip de tierra*
- 15 *Bobina de cubierta trenzada*
- 16 *Cubierta blindada exterior*
- 17 *Cubierta blindada Ethernet (2x)*
- 18 *Abrazadera*

11. Asegúrese de que la abrazadera esté bien colocada, inserte la bobina de la cubierta trenzada en el clip de tierra y apriete los tornillos.

AVISO

- Las superficies de las abrazaderas y las cubiertas deben estar totalmente en contacto para que el cable multiconector se conecte a tierra.
 - Asegúrese de que todas las superficies y contactos estén limpios y que no contengan material de desecho de la cubierta.
12. Conecte los cables de red a los conectores de red externos (RJ45 y SFP) como corresponda.



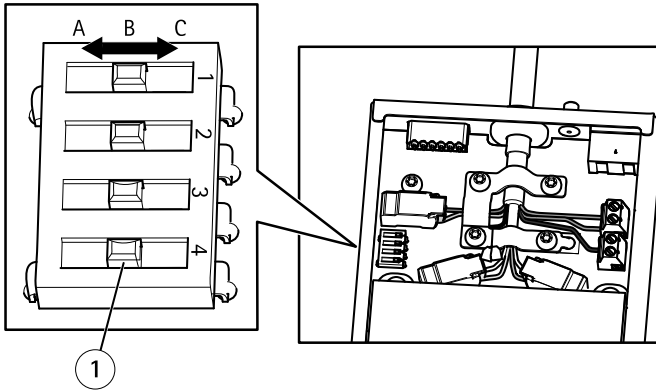
- 1 Cable de alimentación (entrada de CC)
- 2 Conector de corriente (entrada de CC)
- 3 Conector de red SFP (externo) (2x)
- 4 Conector de red RJ45 (externo) (2x)
- 5 Conector de E/S (externo)
- 6 Cable multiconector IP66
- 7 Tornillo de tierra

13. Conecte un dispositivo de E/S al conector de E/S externo, si corresponde.
14. Conecte el cable de alimentación (entrada de CC) al conector de alimentación (entrada de CC).
15. Conecte el cable de tierra al tornillo de tierra.
16. Si se conectan varios conmutadores de conversión de medios en una conexión en cadena, establezca el conmutador DIP de cada puerto del conector de red saliente que se conecta con otro conmutador de conversión de medios en la posición C.

Deje el conmutador DIP en la posición predeterminada (posición B) cuando conecte el puerto directamente a la red. Para obtener más información, vea *Conectores del conmutador de conversión de medios*, en la página 144 y el manual de usuario.

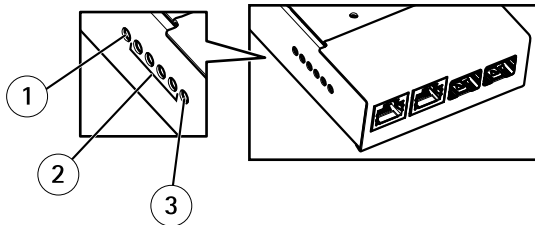
Importante

Si no se ha definido el sistema, use la configuración del conmutador DIP predeterminada (posición B).



1 Conmutador DIP (4x)

17. Conecte la cubierta al conmutador de conversión de medios.
18. Active la alimentación de red.
19. Asegúrese de que los indicadores LED del conmutador de conversión de medios indican las condiciones correctas. Para obtener más información, vea *Indicadores LED del conmutador de conversión de medios, en la página 145*.



- 1 Indicador LED de corriente
- 2 Indicador LED de red (4x) ETH 1/2/3/4
- 3 Indicador LED de la cámara

Instalación de la cámara de red

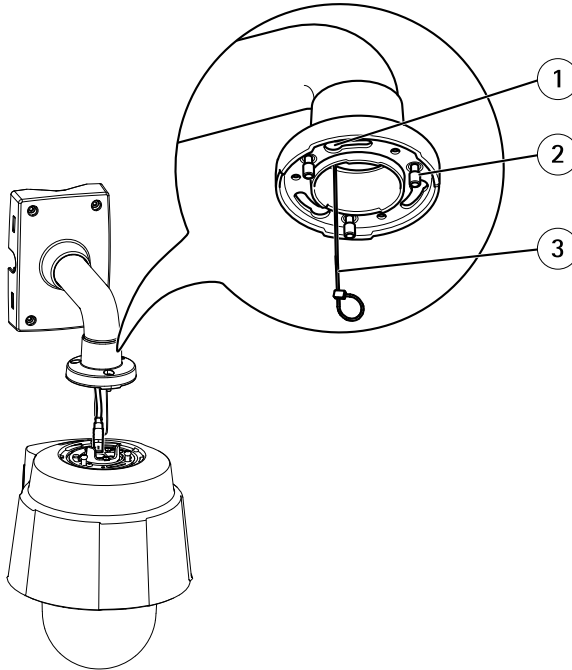
AVISO

Para cumplir con el diseño de la clasificación IP66 de la cámara y mantener la protección IP66, debe usarse el cable multiconector suministrado.

1. Instale el soporte seleccionado (se vende por separado) de acuerdo con las instrucciones que se suministran con el soporte. Si es necesaria la perforación, asegúrese de usar

brocas, tornillos y tapones apropiados para el material. Para obtener información sobre los accesorios de montaje disponibles, vea www.axis.com.

2. Pase el cable multiconector por los orificios del soporte de montaje.
3. Fije la cámara con el cable de seguridad suministrado.



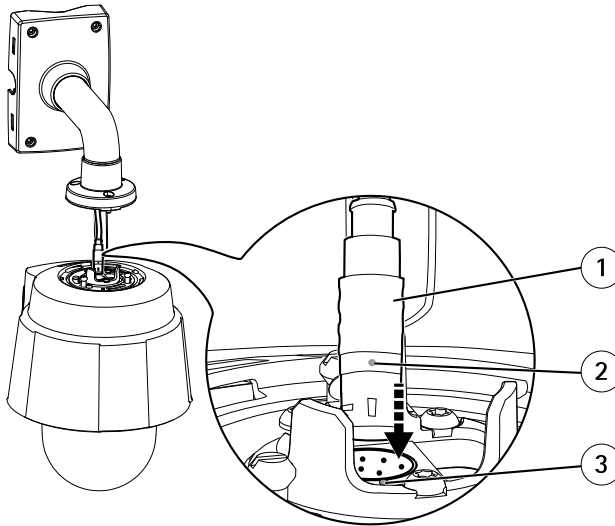
Ejemplo de montaje (el soporte de pared se vende por separado)

- 1 *Ranura para soportes de unidades (3x)*
- 2 *Tornillo T30 (2x)*
- 3 *Cable de seguridad*

4. Extraiga la tapa de protección que cubre el multiconector de la cámara.
5. Enchufe el cable multiconector al conector de la cámara. Utilice los indicadores de alineación para averiguar la posición correcta.

AVISO

Asegúrese de no dañar el cable multiconector cuando la conecte.



Ejemplo de montaje (el soporte de pared se vende por separado)

- 1 *Cable multiconector*
- 2 *Indicador de alineación: cable multiconector*
- 3 *Indicador de alineación: cámara*

- 6. Deslice los soportes de la unidad de la cámara por las ranuras del soporte de montaje y gire la unidad de cámara.
- 7. Fije la cámara de red al soporte de montaje ajustando los tornillos.

Acceso al producto

Utilice las herramientas suministradas en el CD del software de instalación y gestión para asignar una dirección IP, establecer la contraseña y acceder a la transmisión de vídeo. Esta información también está disponible en las páginas de asistencia técnica en www.axis.com/techsup/

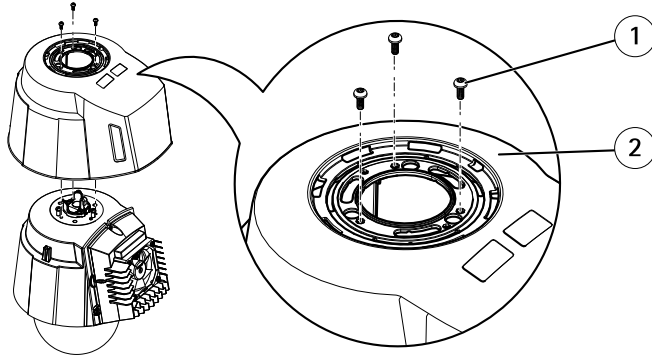
Limpieza del disipador térmico exterior

El polvo y la acumulación de partículas pueden afectar al rendimiento del sistema de refrigeración. Debe realizarse una limpieza regular u ocasional del disipador térmico exterior del sistema de refrigeración de la cámara para mantener el nivel de rendimiento.

⚠ ATENCIÓN

El disipador térmico puede alcanzar temperaturas altas. Preste atención cuando toque el disipador térmico y la cubierta de este. Si fuese necesario, deje que la cámara se enfríe antes de tocarla.

1. Desenchufe el cable multiconector.
2. Afloje los tornillos y extraiga el parasol.

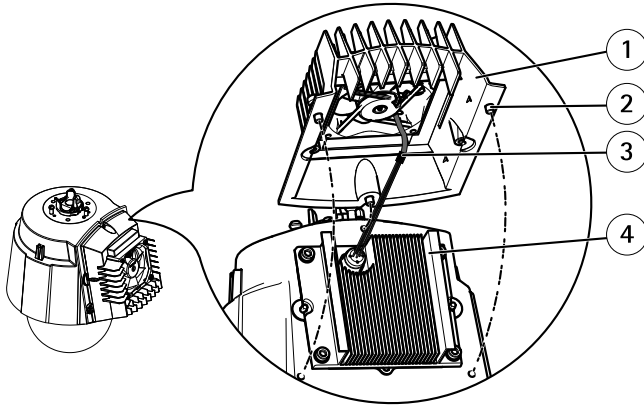


- 1 Tornillo T20 (3x)
- 2 Parasol

3. Extraiga los tornillos (Torx T30) y eleve la cubierta del disipador térmico.

AVISO

No tense los cables del ventilador ni deje que la cubierta del disipador térmico cuelgue de los cables del ventilador.



- 1 Cubierta del disipador térmico
- 2 Tornillo T30 (3x)
- 3 Cables del ventilador
- 4 Disipador térmico

4. Retire el polvo y las motas de suciedad del disipador térmico con un dispositivo de soplado, por ejemplo, con un pequeño compresor de aire o un bote de aire comprimido. El disipador térmico también puede limpiarse con agua pura.
5. Ponga la cubierta del disipador térmico en su posición original y apriete los tornillos (par de torsión de $2,4 \pm 0,2$ Nm).
6. Ponga el parasol de nuevo en su posición original y apriete los tornillos (par de torsión de $1,2 \pm 0,1$ Nm).
7. Enchufe el cable multiconector al conector de la cámara.

Restablecimiento a la configuración predeterminada de fábrica

Importante

Hay que tener cuidado al restablecer la configuración predeterminada de fábrica. Se restablecerán todos los valores, incluida la dirección IP, a la configuración predeterminada de fábrica.

Para restablecer el producto a la configuración predeterminada de fábrica:

1. Mantenga pulsado los botones de control y de alimentación durante 15-30 segundos hasta que el indicador LED de estado parpadee en ámbar. Vea *Presentación del hardware, en la página 138*.
2. Suelte el botón de control pero siga pulsando el botón de alimentación hasta que el indicador LED de estado cambie a verde.

3. Suelte el botón de alimentación y monte el producto.
4. El proceso se ha completado. El producto se ha restablecido a la configuración predeterminada de fábrica. Si no hay ningún servidor DHCP disponible en la red, la dirección IP predeterminada es 192.168.0.90
5. Utilice las herramientas suministradas en el CD del software de instalación y gestión para asignar una dirección IP, establecer la contraseña y acceder a la transmisión de vídeo. Esta información también está disponible en las páginas de asistencia técnica en www.axis.com/techsup/

También es posible restablecer los parámetros a los valores predeterminados de fábrica mediante la interfaz web. Para ello, vaya a **Setup > System Options > Maintenance** (Configuración > Opciones del sistema > Mantenimiento) (Configuración > Configuración del controlador de acceso > Configuración > Opciones del sistema > Mantenimiento).

Más información

El Manual del usuario está disponible en www.axis.com.

Visite www.axis.com/techsup para comprobar si hay firmware actualizado disponible para su producto de red. Para consultar la versión firmware instalada actualmente, vaya a **Setup > About** (Configuración > Acerca de).

Visite el centro de formación de Axis en www.axis.com/academy para consultar cursos de formación, seminarios web, tutoriales y guías de gran utilidad.

Información de la garantía

Para obtener más información acerca de la garantía del producto Axis e información relacionada, visite www.axis.com/warranty/

安全情報

本製品を設置する前に、本インストールガイドをよくお読みください。インストールガイドは今後参照できるように保管しておいてください。

危険レベル

▲危険

回避しない場合、死亡または重傷につながる危険な状態を示します。

▲警告

回避しない場合、死亡または重傷につながる可能性のある危険な状態を示します。

▲注意

回避しない場合、軽傷または中程度の怪我につながる可能性のある危険な状態を示します。

注記

回避しない場合、器物の破損につながる可能性のある状態を示します。

その他のメッセージレベル

重要

製品を正しく機能させるために不可欠な重要情報を示します。

注意

製品を最大限に活用するために役立つ有用な情報を示します。

安全手順

▲警告

- 本製品の設置は、訓練を受けた専門技術者が行ってください。

注記

- 本製品は、お使いになる国、地域の法律、規制にしたがって使用してください。
- 本製品は、乾燥した通気の良い環境に保管してください。
- 本製品に衝撃または強い圧力を加えないでください。
- 本製品を不安定なブラケット、場所または壁に設置しないでください。
- 本製品を設置する際には、適切な工具のみを使用してください。不適切な工具を使用すると、製品に過剰な力がかかり、損傷することがあります。
- 化学薬品、腐食剤、噴霧式クリーナーは使用しないでください。清掃はきれいな水に浸した清潔な布を使用して行ってください。
- 製品の技術仕様に準拠したアクセサリーのみを使用してください。Axisまたはサードパーティから入手することができます。
- Axisが提供または推奨する交換部品のみを使用してください。
- 製品を自分で修理しないでください。修理に関しては、AxisまたはAxisの販売代理店にお問い合わせください。

輸送

注記

- 保護包装は保管しておいてください。本製品を運搬する際は、必ず保護包装を元の位置に取り付けてください。
- 本製品を運搬する際は、製品が損傷しないよう、元の梱包または同等の梱包を使用してください。

バッテリー

本製品は、内部リアルタイムクロック (RTC) 用電源として3.0V BR2032リチウムバッテリーを使用しています。このバッテリーは、通常条件下で最低5年間使用できます。

バッテリーが低電力状態になると、RTCの動作に影響し、電源を入れるたびにリセットされます。バッテリーの交換が必要になると、ログメッセージが表示されます。

必要な場合以外はバッテリーを交換しないでください。バッテリーの交換が必要な場合は、AxisサポートのWebサイト (www.axis.com/techsup) を参照してください。

▲警告

- バッテリーは、正しく交換しないと爆発する危険があります。
- 交換用のバッテリーには同一品またはAxisが推奨するバッテリーのみを使用してください。
- 使用済みのバッテリーは地域の規制またはメーカーの指示に従って廃棄してください。

ドームカバー

注記

- 画質低下の原因となるため、ドームカバーに傷や指紋が付いたり、損傷しないよう注意してください。可能であれば、設置が完了するまでドームカバーの保護プラスチックは付けたままにしてください。
- 肉眼で見て汚れがない場合は掃除しないでください。また、絶対に表面を磨かないでください。過度な清掃により、表面が破損することがあります。
- ドームカバーの通常のクリーニングについては、磨耗防止タイプの無溶媒、中性の石けん、または、きれいな水で薄めた洗剤と柔らかい清潔な布を使用することをお勧めします。洗浄後、きれいなぬるま湯でよくすすいでください。水滴の跡が付かないよう、清潔な柔らかい布でふき、乾かしてください。
- 強力な洗剤、ガソリン、ベンジン、アセトンなどは絶対に使用しないでください。また、ドームカバーに直射日光が当たる場所や気温が上昇する場所での清掃は避けてください。

インストールガイド

このインストールガイドでは、AXIS Q6042-C、AXIS Q6044-C、またはAXIS Q6045-C PTZドームネットワークカメラをお使いのネットワークにインストールする手順について説明しています。製品の使用の詳細については、Axisのホームページ (www.axis.com) でユーザーズマニュアルを参照してください。

設置手順

1. パッケージ内容、ツール、設置に必要なその他の部品がそろっているかを確認します。ページ 169を参照してください。
2. 「ハードウェアの概要」をよく読んでください。ページ 170を参照してください。
3. 「仕様」をよく読んでください。ページ 178を参照してください。
4. ハードウェアを設置します。ページ 182を参照してください。
5. 製品にアクセスします。ページ 193を参照してください。

パッケージの内容

- Q6042-C/Q6044-C/Q6045-C PTZドームネットワークカメラ
- 透明ドームカバー (取り付け済み)
- AXIS T8605メディアコンバータスイッチ
- マルチコネクタケーブル (IP66)、7 m
- インストール・管理ソフトウェアCD
- 印刷物
 - インストールガイド (本書)
 - 予備のシリアル番号ラベル×2
 - AVHS認証キー

推奨ツール

- 電線ストリッパー
- プラスドライバーPH2 – ドームカバーを交換する場合
- トルクスT20ドライバー – 必要に応じて外部ヒートシンクを清掃する場合
- トルクスT30ドライバー – AXIS T91A取り付け用アクセサリ中の互換性があるブラケットにカメラを取り付ける場合やドームカバーを交換する場合

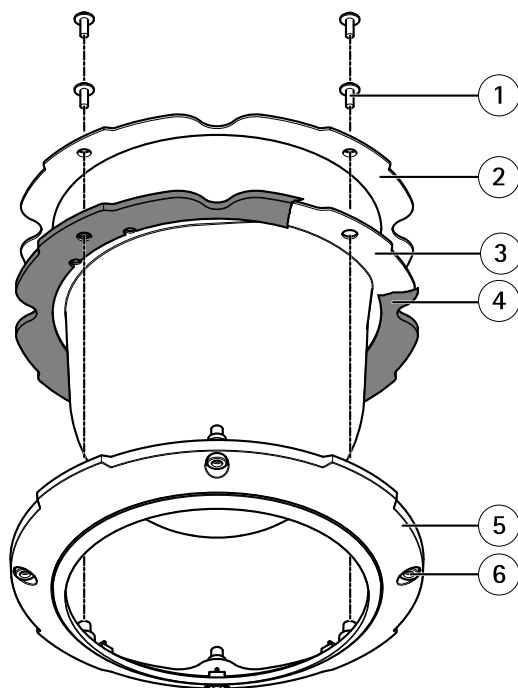
オプションのアクセサリ

- スモークドームカバー
- 電源
- AXIS T91A取り付け用アクセサリ

利用可能なアクセサリについては、www.axis.comを参照してください。

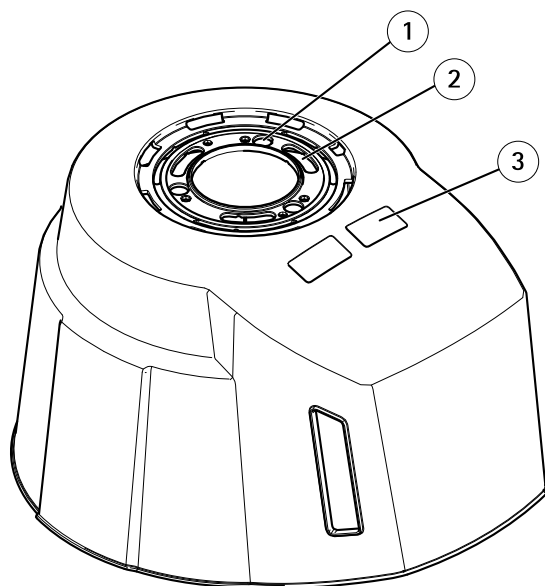
ハードウェアの概要

ドームカバー



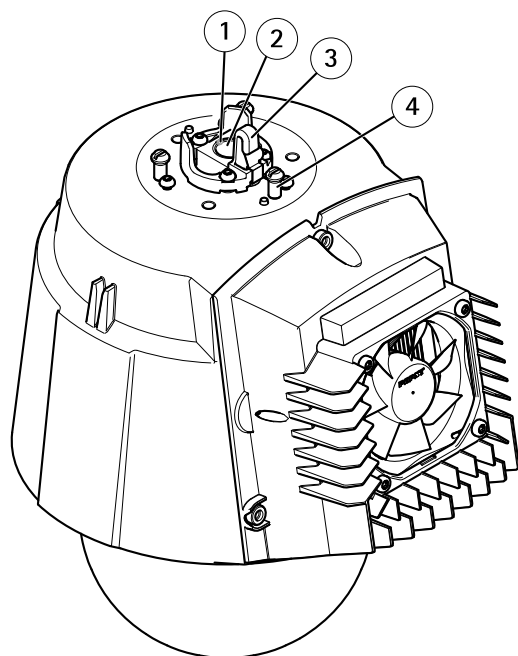
- 1 ドームブラケットネジ PH2 (×4)
- 2 ドームブラケット
- 3 ドームカバー
- 4 ゴム製ガスケット
- 5 ドームリング
- 6 ドームリングネジ T30 (×4)

サンシールド



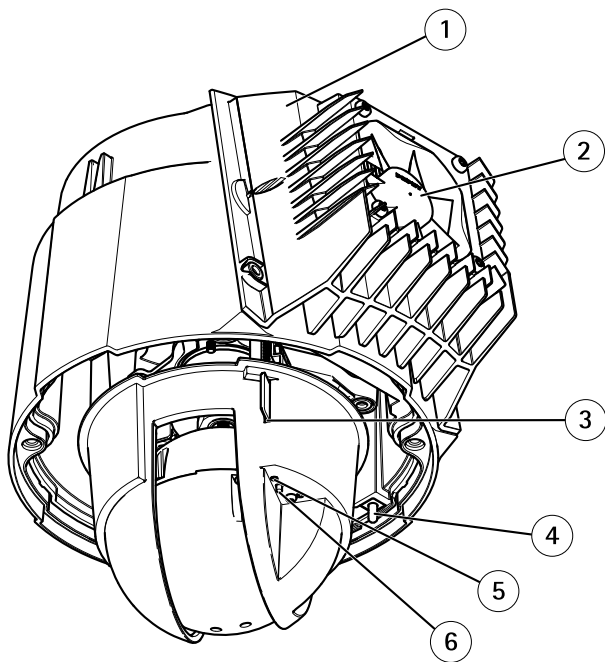
- 1 ネジ穴 (×3)
- 2 ユニットホルダー取り付け穴 (×3)
- 3 型番 (P/N) とシリアル番号 (S/N)

カメラユニット - 上面図



- 1 位置合わせ用インジケータ
- 2 マルチコネクタ
- 3 安全ワイヤーフック
- 4 ユニットホルダー (×3)

カメラユニット - 底面図



- 1 冷却システム
- 2 ファン
- 3 SDメモリーカードスロット (SDHC)
- 4 電源ボタン (工場出荷時の設定にリセットする場合のみ使用)
- 5 コントロールボタン
- 6 ステータスLEDインジケータ

LEDインジケーター

LED	色	表示
ステータス	消灯	接続時と正常動作時は、無点灯のままです。
	黄	起動時に点灯し、ファームウェアのアップグレード時には点滅します。
	黄/赤	ネットワーク接続が利用できないか、失われた場合は、黄色/赤色で点滅します。
	赤	ファームウェアのアップグレードに失敗すると、赤色で点滅します。
	緑	再起動後、正常に動作する場合、10秒間、緑色で点灯します。

コネクター

仕様および動作条件については、ページ 178を参照してください。

SDカードスロット - 標準または大容量のSDメモリーカード (非付属品) を使用すると、ローカルに録画を行えます。

注記

SDカードは取り外す前に、録画データが破損しないようにアンマウントする必要があります。SDカードをアンマウントするには、[Setup] (設定) - [System Options] (システムオプション) - [Storage] (ストレージ) - [SD Card] (SDカード) を選択し、[Unmount] (アンマウント) をクリックします。

コントロールボタン - コントロールボタンには、以下の用途で使用します。

- 製品を工場出荷時の設定にリセットする。ページ 195を参照してください。
- AXIS Video Hosting SystemまたはAXIS Internet Dynamic DNS Serviceに接続する。これらのサービスの詳細については、ユーザーズマニュアルを参照してください。

電源ボタン - ドームカバーを取り外したとき、製品の電源を一時的に入れるには、電源ボタンを押し続けます。電源ボタンとコントロールボタンを同時に押すと、カメラが工場出荷時の設定にリセットされます。ページ 195を参照してください。

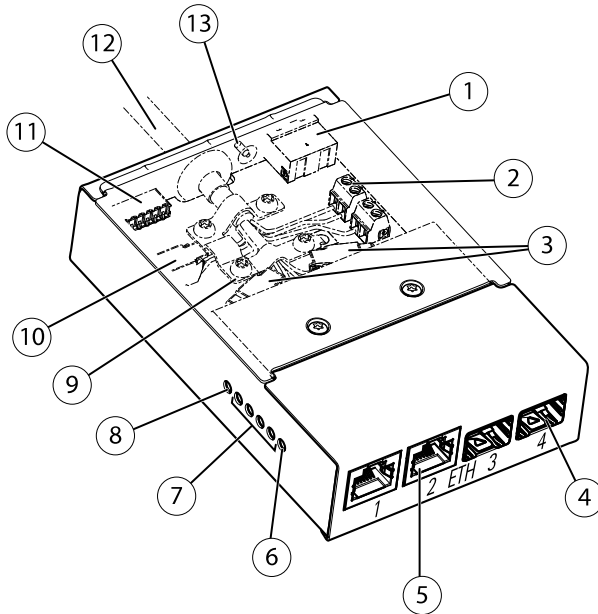
マルチコネクター - 付属のメディアコンバータースイッチを接続する端末コネクターです。

- DC電源

- ネットワーク (Ethernet 10/100Base-T)
- 入出力 (I/O)

メディアコンバータースイッチを接続する際には、カメラのIP定格を維持するため、付属のマルチコネクターケーブルが必要になります。マルチコネクターケーブル、ページ 177を参照してください。

メディアコンバータースイッチ



- 1 電源コネクター (DC入力)
- 2 電源コネクター (DC出力)
- 3 内部ネットワークコネクター
- 4 外部ネットワークコネクター (SFP) (×2)
- 5 外部ネットワークコネクター (RJ45) (×2)
- 6 カメラLEDインジケータ
- 7 ネットワークLEDインジケータ (×4)
- 8 電源LEDインジケータ
- 9 グランドクリップ
- 10 内部I/Oコネクター
- 11 外部I/Oコネクター
- 12 マルチコネクターケーブル
- 13 グランド端子ネジ

メディアコンバータースイッチのコネクター

仕様については、ページ178を参照してください。

注記

本製品は、シールドネットワークケーブル (STP) を使用して接続してください。本製品とスイッチを接続する場合は、個別の用途に合ったシールドネットワークケーブル (STP) を使用してください。メディアコンバータースイッチは適切に接地してください。法的な要求事項についてはを参照してください。

重要

メディアコンバータースイッチはホットスワップに対応していません。カメラを交換する前にスイッチの電源を切断してください。ホットスワップを行うと、スイッチがフリーズする原因になります。フリーズした場合は再起動を行う必要があります。

電源コネクター (DC入力) - 電源入力用2ピンターミナルブロック

電源コネクター (DC出力) - 電源出力用2ピンターミナルブロック (×2) (ピン4は未使用)

外部ネットワークコネクター (RJ45) - ネットワーク接続用のRJ45コネクター (10/100Base-T) (×2)

外部ネットワークコネクター (SFP) - ネットワーク接続用SFPコネクター (100Base-FX/1000Base-X) (×2)

RJ45、SFPネットワークコネクターは、専用のディップスイッチを備えています。このDIPスイッチを使用して、ポートのデータ転送方法を制御することができます。詳細については、ユーザーズマニュアルを参照してください。

DIPスイッチの位置		説明
デフォルト (中央)	B	直接、もしくは、ルーターまたはネットワークスイッチを経由してネットワークに接続する場合
左	A	ネットワークカメラまたはデータを表示しない装置と接続する場合
右	C	別のメディアコンバータースイッチと接続する場合

内部ネットワークコネクター - 2ピンイーサネットターミナルブロック×2

外部I/Oコネクター - 6ピンの設定可能なI/Oターミナルブロック。マルチコネクターケーブルを使用して、カメラと接続します。外部装置を接続し、カメラに対するいた

ずらの警報、動体検知、イベントトリガー、低速度撮影、アラーム通知などを使用することができます。グラウンドと電源(DC出力)の他に、I/Oターミナルコネクタにより、次のインターフェースが提供されます。

- デジタル出力** - リレーやLEDなどの外部デバイスを接続します。接続されたデバイスは、VAPIX®アプリケーションプログラミングインターフェース、[Live View] (ライブビュー) ページの出力ボタン、イベントルールによってアクティブにすることができます。アラームデバイスがアクティブな場合は、出力がactiveとして表示されます ([System Options] (システムオプション) - [Port & Devices] (ポートとデバイス) - [Port Status] (ポートの状態) で表示)。
- デジタル入力** - 回路の開閉の切り替えが可能なデバイス (PIR、ドアや窓のコンタクト、ガラス破損検知器など) を接続するためのアラーム入力です。信号を受取ると状態が変化し、入力がactiveになります ([System Options] (システムオプション) - [Ports & Devices] (ポートとデバイス) - [Port Status] (ポートの状態) で表示)。

内部I/Oコネクタ - 2ピンI/Oターミナルブロック

メディアコンバータースイッチのLEDインジケータ

LED	色	表示
電源	消灯	DC電源未接続または過電流保護(電力過負荷状態)時は、無点灯のままです。
	緑	DC電源接続時に点灯します。
ネットワーク(×4)	黄	10 Mbit 接続時に点灯します。通信時には点滅します。
	緑	100/1000 Mbit 接続時に点灯します。通信時には点滅します。
カメラ	緑	100 Mbit 接続時に点灯します。通信時には点滅します。

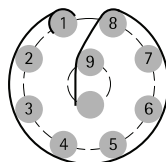
マルチコネクタケーブル

付属のマルチコネクタケーブルは、カメラのIP定格を維持するために必要です。

カメラのマルチコネクタと付属のメディアコンバータースイッチをマルチコネクタケーブルで接続します。ページ170を参照してください。

マルチコネクタケーブルは以下の信号を供給します。

- DC電源
- ネットワーク (イーサネット 10/100Base-T)
- 入出力 (I/O)



機能	ピン - ワイヤ	備考	仕様
設定可能 (入力または出力)	2 - 青	デジタル入力 - 動作させるには GND に接続し、動作させない場合はフロート状態 (未接続) のままにします。	0 ~ +30 V DC
	7 - 黄	デジタル出力 - 動作させるには グラウンドに内部接続し、動作させない場合はフロート状態 (未接続) にします。外部リレーとともに使用する場合は、過渡電圧から保護するため、ダイオードを負荷と並列に接続する必要があります。	最大負荷 = 100 mA 最大電圧 = +30 V DC
RX+	3 - 緑/白	イーサネット - 受信	
RX-	4 - 緑	イーサネット - 受信	
TX+	5 - 橙/白	イーサネット - 送信	
TX-	6 - 橙	イーサネット - 送信	
GND	8 - 黒	グラウンド	
12 V 電源	1、9 - 赤	カメラへの給電に使用	12 ~ 13.2 V DC 最大負荷 = 6 A

仕様

動作条件

本製品は屋外対応モデルです。

等級	
AXIS Q6042-C/Q6044-C/Q6045-C	IEC 60721-3-4 Class 4K4H、4M4 IEC 60529 IP66 NEMA 250 Type 4x MIL-STD 810G 500.5、501.5、502.5、503.5、505.5、506.5、507.5、509.5、510.5 ¹ 、514.6

1. 砂および埃の侵入から保護されています。砂塵にさらされた場合、透明/スモークドームカバーの交換が必要になることがあります。

温度	
AXIS Q6042-C/Q6044-C/Q6045-C	-20 ° C ~ 75 ° C (冷却時)

湿度	
AXIS Q6042-C/Q6044-C/Q6045-C	10 ~ 100% RH (結露不可)

保管条件

温度	
AXIS Q6042-C/Q6044-C/Q6045-C	-20 ° C ~ 75 ° C

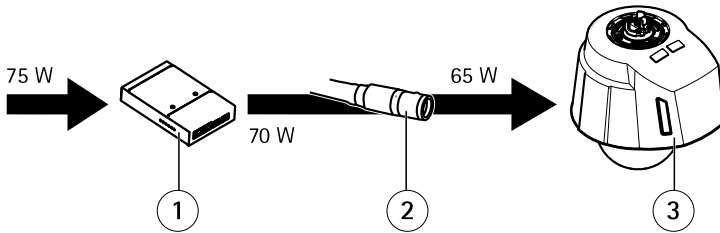
電氣的仕様

注記

安全特別低電圧 (SELV) および制限電源 (LPS) の要件を満たすため、Axis推奨の電源を使用してください。互換性のある電源アクセサリについては、www.axis.comを参照してください。

製品	機能	説明
ネットワークカメラ	入力電力	65 W (最小)

メディアコンバータースイッチ	入力電圧	12.0~13.2 V DC
	入力電流	6.25 A (最小)
	入力電力	75 W (最小)
	出力可能電力	70 W (最小)
	通常出力電圧	12.5 V DC

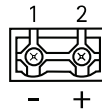


- 1 メディアコンバータースイッチ
- 2 マルチコネクタケーブル
- 3 ネットワークカメラ

メディアコンバータースイッチのコネクター

電源コネクター (DC入力)

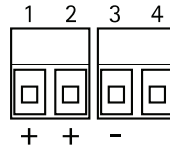
電源入力用2ピンターミナルブロック



機能		ピン	備考	仕様
DC入力	GND	1	グラウンド	
	12 V DC	2	電源 (別売) から電力供給	最大負荷 = 7 A 12.0~13.2 V DC、 最小 75 W

電源コネクタ (DC出力)

電源出力用2ピンターミナルブロック×2 (ピン4は未使用)



機能		ピン	備考	仕様
DC出力	12 V DC	1, 2	カメラへの電源出力	最大負荷 = 6.5 A 12.0~13.2 V DC、 最小 70 W
	GND	3	グラウンド	
	N/A	4	N/A	

内部ネットワークコネクタ

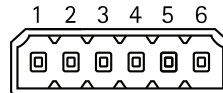
2ピンイーサネットターミナルブロック×2



外部I/Oターミナルコネクタ

6ピンターミナルブロック

- デジタル入出力
- 電源 (DC出力)
- グラウンド (GND) 用



機能	ピン	備考	仕様
GND	1, 4, 6	グラウンド	
DC出力	2	電源出力	12 V DC、50 mA
設定可能なI/O 1 (入力または出力)	3	デジタル入力	0 ~ +30 V DC
		デジタル出力 (トランジスター-オープンコレクター)	最大負荷 = 100 mA 最大電圧 = +30 V DC

設定可能なI/O 2 (入力または出力)	5	デジタル入力	0 ~ +30 V DC
		デジタル出力 (トランジスター - オープンコレクター)	最大負荷 = 100 mA 最大電圧 = +30 V DC

内部I/Oターミナルコネクター

2ピンターミナルブロック



ハードウェアの設置

注記

- 本製品は、シールドネットワークケーブル (STP) を使用して接続してください。本製品とスイッチを接続する場合は、個別の用途に合ったシールドネットワークケーブル (STP) を使用してください。メディアコンバータースイッチは適切に接地してください。法的な要求事項については、*Regulatory Information, on page 2*を参照してください。
- 本製品では、除湿膜を使用してドーム内の湿度を低く保っています。凝結防止のため、雨の日や湿度の高い日には製品を分解しないでください。
- 画質低下の原因となるため、ドームカバーに傷や指紋が付いたり、損傷しないように注意してください。可能であれば、設置が完了するまでドームカバーの保護プラスチックは付けたままにしてください。

本製品は、配線を壁や天井に沿って、あるいは中を通して設置することができます。

温度が60°Cを超える場所では、必ず本製品をアクセス制限区域内に設置してください。

製品を設置する前に、すべての説明に目を通してください。一部の設置手順ではドームカバーを取り外さなければならない場合があるため、読んでおくと役に立ちます。

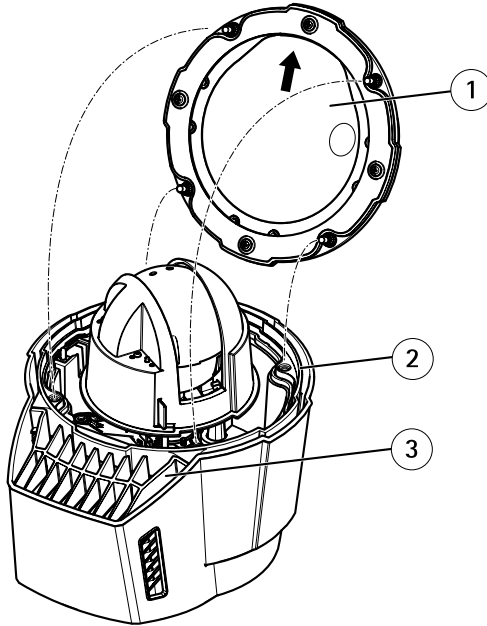
- カメラとサンシールドの間の保護包装を取り外してからカメラを設置してください。
- スモークドームカバーはAxisの販売代理店から購入できます。ドームカバーの交換方法については、ページ183を参照してください。
- 標準または大容量のSDメモリーカード (非付属品) を使用すると、録画をローカルに保存することができます。SDカードの装着方法については、ページ184を参照してください。
- 電源 (別売) および付属のメディアコンバータースイッチの取り付け方法については、ページ185を参照してください。

- AXIS T91A取り付けアクセサリーの互換ブラケットを使用した製品の設置方法については、ネットワークカメラの設置を参照してください。

ドームカバーの交換

スモークドームカバーを使用したい場合や、ドームカバーに傷が付いたり、損傷した場合にのみ、ドームカバーの交換が必要になります。スモークドームカバーおよび交換用の透明ドームカバーは、Axisの販売代理店から購入できます。

1. ドームリングネジをゆるめてドームカバーを取り外します。
2. ドームブラケットネジを外してドームリングからドームブラケットとドームカバーを取り外します。
3. ゴム製ガスケットがドームカバーに正しく取り付けられていることを確認します。
4. ドームカバーの突起とドームリングのロゴタイプの一つの位置を合わせます。
5. ドームリングにドームブラケットとドームカバーを取り付け、ネジ(トルク1.2 Nm)を締めます。
6. SDカード(別売)の装着方法については、SDカードの装着, ページ184を参照してください。
7. ドームカバーを上蓋に取り付けるには、ドームカバーの突起とカメラユニットの冷却システムの位置を合わせ、ネジ(トルク1.5 Nm)を締めます。



- 1 ドームカバー
- 2 上蓋
- 3 冷却システム

SDカードの装着

必要に応じて、標準または大容量のSDメモリーカード(非付属品)を装着すると、ローカルに録画を行うことができます。

1. ドームリングネジをゆるめ、ドームカバーを取り外します。
2. SDカード(非付属品)をSDカードスロットに挿入します。
3. ドームカバーの突起とカメラユニットの冷却システムの位置を合わせ、ネジ(トルク1.5 Nm)を締めてドームカバーを上蓋に取り付けます。

注記

SDカードは、取り外す前に、録画データが破損しないようにアンマウントする必要があります。SDカードをアンマウントするには、[Setup] (設定) - [System Options] (システムオプション) - [Storage] (ストレージ) - [SD Card] (SDカード) を選択し、[Unmount] (アンマウント) をクリックします。

電源とメディアコンバータースイッチの取り付け

付属のメディアコンバータースイッチをマルチコネクターケーブルを使用して接続することにより、電源（別売）からの電力をカメラに供給し、外部アラームデバイスやネットワークとデータを送受信することができます。

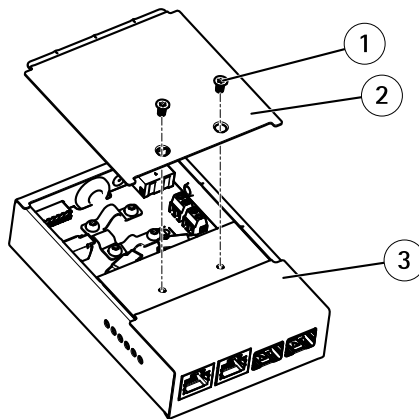
注記

- 主電源や電線管への接続は、地域条例を順守し、メーカーの指示に従って、訓練を受けた専門技術者が行ってください。
- 電源（別売）とメディアコンバータースイッチの取り付けは、屋内や適切なデータ保管庫など、ほこりや水から保護された環境で行ってください。
- 本製品は、シールドネットワークケーブル (STP) を使用して接続してください。本製品とスイッチを接続する場合は、個別の用途に合ったシールドネットワークケーブル (STP) を使用してください。メディアコンバータースイッチは適切に接地してください。法的な要求事項については、*Regulatory Information, on page 2* ページ2および3を参照してください。

重要

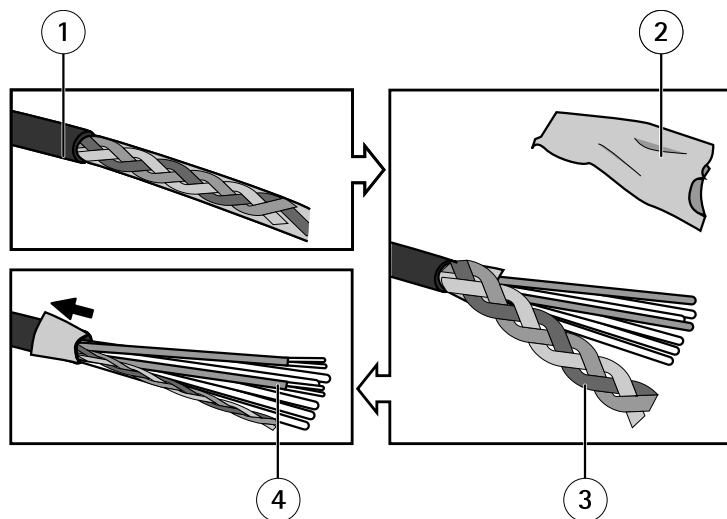
Axisは付属のメディアコンバータースイッチの機能の完全性のみを保証します。その他のデバイスはサポートされません。

1. 主電源のスイッチがオフになっていることを確認します。
2. 電源とメディアコンバータースイッチを壁、または、可能であれば、キャビネットのDINレールに取り付けます。ドリルによる穴開けが必要な場合は、素材に適したドリルビット、ネジ、プラグを使用してください。
3. メディアコンバータースイッチのネジをゆるめ、カバーを外します。

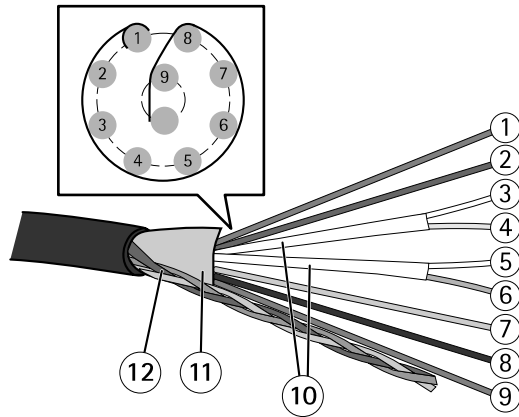


1 ネジ (×2)

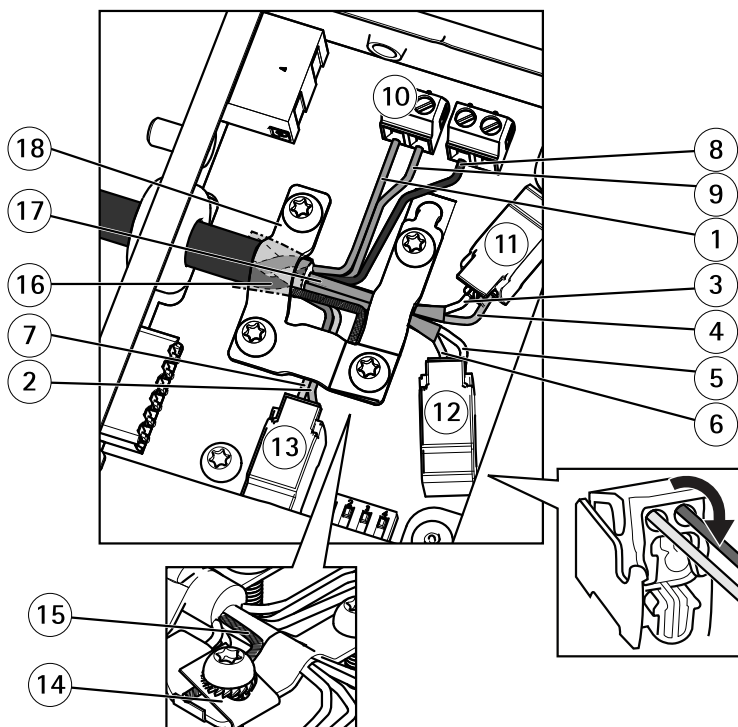
- 2 カバー
- 3 メディアコンバータースイッチ
4. マルチコネクターケーブルの被覆を40 mm剥きます。
5. 編組シールドはそのまま残し、外側のフォイルシールドを30 mm切除します。
6. 残ったフォイルシールドは折り返し、編組シールドはねじってまとめます。
7. イーサネットワイヤーのフォイルシールドを約7~8 mm切除します。
8. すべてのワイヤーの被覆を約7~8 mm剥きます。



- 1 マルチコネクターケーブルの被覆
- 2 外側のフォイルシールド
- 3 編組シールド
- 4 イーサネットワイヤーのフォイルシールド (×2)



- 1 電源ワイヤー (赤)
 - 2 デジタルI/Oワイヤー (青)
 - 3 イーサネットワイヤー (緑/白)
 - 4 イーサネットワイヤー (緑)
 - 5 イーサネットワイヤー (橙/白)
 - 6 イーサネットワイヤー (橙)
 - 7 デジタルI/Oワイヤー (黄)
 - 8 グランドワイヤー (黒)
 - 9 電源ワイヤー (赤)
 - 10 イーサネットワイヤーのフォイルシールド (×2)
 - 11 外側のフォイルシールド
 - 12 まとめた編組シールド
9. ネットワークワイヤーを内部ネットワークコネクタに、I/Oワイヤーを内部I/Oコネクタに接続します。コネクタの蓋を開き、ワイヤーを挿入し、蓋を閉じます。
 10. グランドワイヤーと電源ワイヤーを電源コネクタ (DC出力) に接続します。

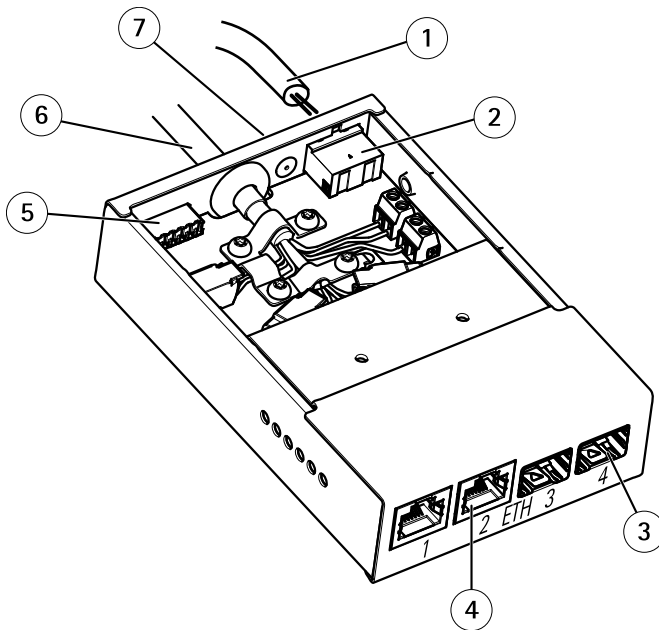


- 1 電源ワイヤー (赤)
- 2 デジタルI/Oワイヤー (青)
- 3 イーサネットワイヤー (緑/白)
- 4 イーサネットワイヤー (緑)
- 5 イーサネットワイヤー (橙/白)
- 6 イーサネットワイヤー (橙)
- 7 デジタルI/Oワイヤー (黄)
- 8 グラウンドワイヤー (黒)
- 9 電源ワイヤー (赤)
- 10 電源コネクタ (DC出力)
- 11 内部イーサネットコネクタ
- 12 内部イーサネットコネクタ
- 13 内部I/Oコネクタ
- 14 グラウンドクリップ
- 15 まとめた編組シールド
- 16 外側のフォイルシールド
- 17 イーサネットワイヤーシールド (×2)
- 18 クランプ

11. クランプを使用してケーブルを固定し、まとめた編組シールドはグラウンドクリップに挿入してネジを締めます。

注記

- マルチコネクターケーブルが接地されるように、シールドとクランプを完全に接触させます。
 - すべての表面と接点が汚れておらず、シールド材の断片が落ちていないことを確認してください。
12. 必要に応じて、ネットワークケーブルを外部ネットワークコネクター (RJ45、SFP) に接続します。



- 1 電源ケーブル (DC入力)
- 2 電源コネクター (DC入力)
- 3 外部ネットワークコネクター (SFP) (×2)
- 4 外部ネットワークコネクター (RJ45) (×2)
- 5 外部I/Oコネクター
- 6 マルチコネクターケーブル (IP66)
- 7 グラウンド端子ネジ

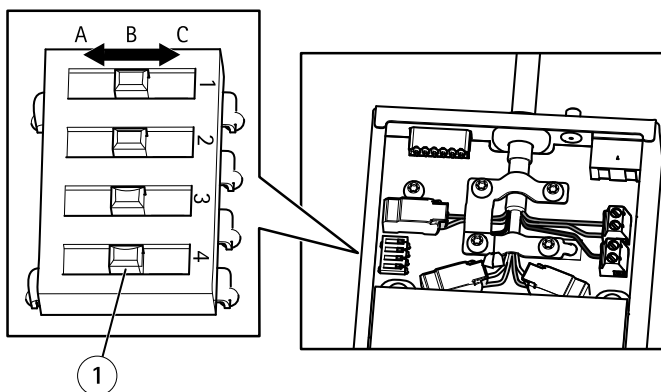
13. 必要に応じて、I/Oデバイスを外部I/Oコネクターに接続します。

14. 電源ケーブル (DC入力) を電源コネクタ (DC入力) に接続します
15. グランドワイヤーをグランド端子ネジに接続します。
16. 複数のメディアコンバータースイッチをデジチェーン接続する場合は、別のメディアコンバータースイッチに接続するネットワークコネクタポートのディップスイッチをCの位置に設定してください。

ネットワークに直接接続するポートのディップスイッチはデフォルトの位置 (B) のままにします。詳細については、メディアコンバータースイッチのコネクタ、ページ176、およびユーザーズマニュアルを参照してください。

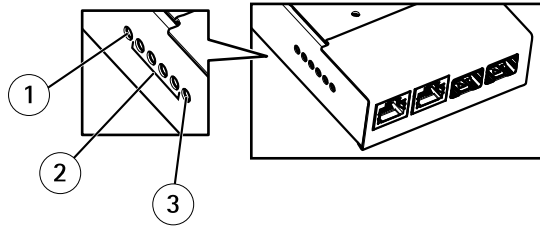
重要

システムが定義されていない場合は、デフォルトのディップスイッチ設定 (B) を使用してください。



1 DIPスイッチ (×4)

17. メディアコンバータースイッチのカバーを取り付けます。
18. メイン電源のスイッチを入れます。
19. メディアコンバータースイッチのLEDインジケータが正しい状態を示しているかを確認します。詳細については、メディアコンバータースイッチのLEDインジケータ、ページ177を参照してください。



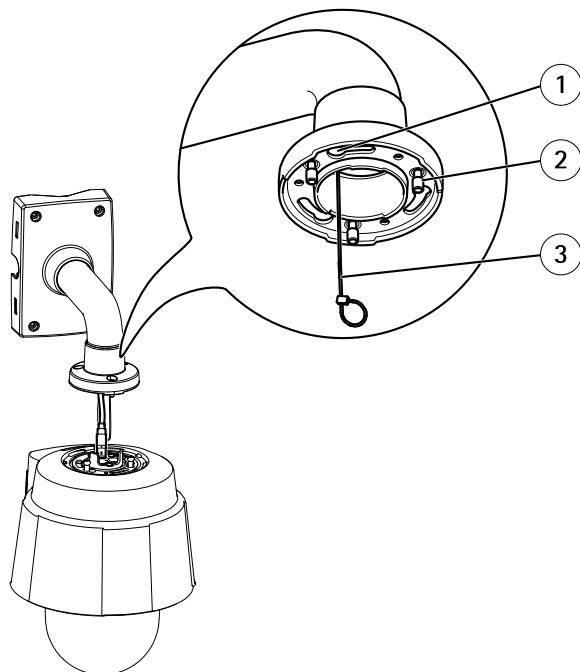
- 1 電源LEDインジケータ
- 2 ネットワークLEDインジケータ (×4) ETH 1/2/3/4
- 3 カメラLEDインジケータ

ネットワークカメラの設置

注記

カメラのIP66対応設計に準拠し、IP66保護等級を維持するため、必ず付属のマルチコネクターケーブルを使用してください。

1. ブラケット (別売) に付属する説明書にしたがって、ブラケットを取り付けます。ドリルによる穴開けが必要な場合は、素材に適したドリルビット、ネジ、プラグを使用してください。利用可能なアクセサリーについては、www.axis.comを参照してください。
2. マルチコネクターケーブルを取り付け用ブラケットの穴に通します。
3. 付属の安全ワイヤーを使用してカメラを固定します。

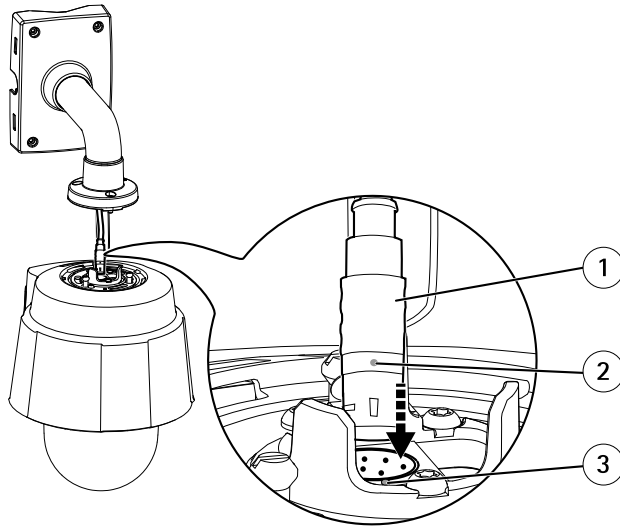


取り付け例 (別売の壁面ブラケットを使用)

- 1 ユニットホルダー用スロット (×3)
 - 2 ネジ T30 (×2)
 - 3 安全ワイヤー
4. カメラのマルチコネクターの保護キャップを取り外します。
 5. マルチコネクタケーブルをカメラのコネクタに接続します。位置合わせ用インジケータを使用して、正しい位置に合わせます。

注記

接続時にマルチコネクタケーブルを傷つけないよう、注意してください。



取り付け例 (別売の壁面ブラケットを使用)

- 1 マルチコネクターケーブル
 - 2 位置合わせ用インジケータ-マルチコネクターケーブル
 - 3 位置合わせ用インジケータ-カメラ
6. カメラのユニットホルダーを取り付け用ブラケットのスロットにはめ込み、カメラユニットを回転させます。
 7. ネジを締め、ネットワークカメラを取り付けブラケットに固定します。

製品へのアクセス

インストール・管理ソフトウェアCDに収録されているツールを使用して、IPアドレスの割り当て、パスワードの設定、ビデオストリームへのアクセスを行うことができます。この情報はAxisのWebサイトのサポートページ(www.axis.com/techsup)にも掲載されています。

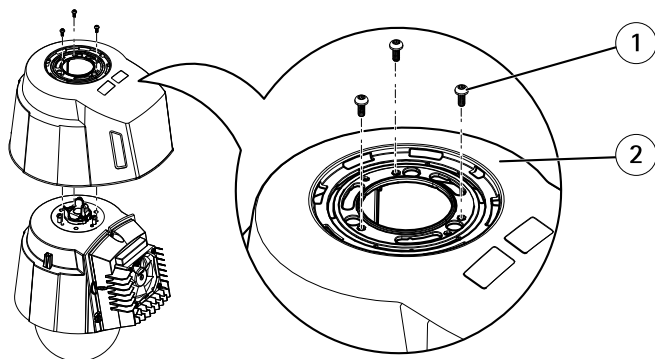
外部ヒートシンクのクリーニング

ほこりや微粒子がたまると、冷却システムの性能に影響が生じる場合があります。カメラの性能を維持するため、カメラの冷却システムの外部ヒートシンクを不定期または定期的に清掃してください。

▲注意

ヒートシンクは熱を持つことがあります。ヒートシンクやヒートシンクカバーに触る際には注意してください。必要に応じて、カメラが冷えるまで待機してください。

1. マルチコネクターケーブルを取り外します。
2. ネジをゆるめ、サンシールドを取り外します。

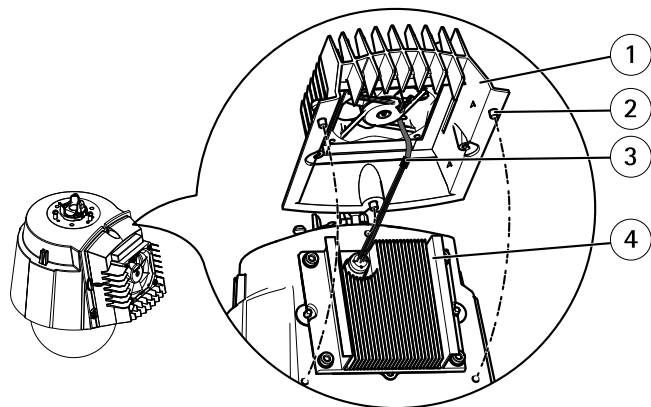


- 1 ネジ T20 (×3)
- 2 サンシールド

3. ネジ (トルクスT30) を取り外し、ヒートシンクカバーを持ち上げます。

注記

ファンケーブルを引っ張ったり、ヒートシンクカバーがファンケーブルでぶら下がったりしないよう、注意してください。



- 1 ヒートシンクカバー
- 2 ネジ T30 (×3)
- 3 ファンケーブル
- 4 ヒートシンク

4. ヒートシンクの埃やチリを小型のエアコンプレッサーや圧縮空気などを使用して吹き飛ばします。ヒートシンクは、きれいな水ですすいでもかまいません。
5. ヒートシンクカバーを元に戻し、ネジ(トルク 2.4 ± 0.2 Nm)を締めます。
6. サンシールドを元に戻し、ネジ(トルク 1.2 ± 0.1 Nm)を締めます。
7. マルチコネクターケーブルをカメラのコネクターに接続します。

工場出荷時の設定にリセットする

重要

工場出荷時の設定へのリセットは慎重に行ってください。工場出荷時の設定へのリセットを行うと、IPアドレスを含むすべての設定が工場出荷時の値にリセットされます。

以下の手順を実行します。

1. ステータスインジケータLEDが黄色に点滅するまで、コントロールボタンと電源ボタンを15~30秒間ほど押し続けます。ハードウェアの概要、ページ170を参照してください。
2. 再起動ボタンだけを離し、コントロールボタンをステータスインジケータLEDが緑色に変わるまで押し続けます。
3. 電源ボタンを離し、製品を組み立てます。

4. 処理が完了します。これで本製品は工場出荷時の設定にリセットされました。ネットワーク上で利用できるDHCPサーバーがない場合のデフォルトのIPアドレスは192.168.0.90です。
5. IPアドレスの割り当て、パスワードの設定、ビデオストリームへのアクセスを行うには、インストール・管理ソフトウェアCDに収録されているツールを使用します。この情報はAxisのWebサイトのサポートページ (www.axis.com/techsup) にも掲載されています。

Webインターフェースを使用して、パラメーターを工場出荷時の設定に戻すこともできます。**[Setup] (設定) - [System Options] (システムオプション) - [Maintenance] (保守)** に移動します。

関連情報

ユーザーマニュアルは www.axis.com で入手できます。

www.axis.com/techsup にアクセスして、ネットワーク製品用ファームウェアのアップデート版がリリースされていないかどうか確認してください。現在インストールされているファームウェアのバージョンを確認するには、**Setup (設定) > About (バージョン情報)** へ進みます。

Axisラーニングセンター (www.axis.com/academy) には、役立つトレーニング、ウェビナー、チュートリアル、ガイドなどがあります。

保証

Axisの製品保証と関連情報については、www.axis.com/warranty をご覧ください。

Installation Guide

AXIS Q60 Series

© Axis Communications AB, 2012 - 2013

Ver. M1.7

Date: September 2013

Part No. 49449