

AXIS M1075-L Mk II Box Camera

Fully featured 2 MP with video and audio analytics

AXIS M1075-L Mk II offers excellent two-way audio and an IR-corrected lens for professional-quality video, 24/7. A tally LED indicates video streaming or recording, and a passive infrared (PIR) sensor can detect movement even in total darkness. AI-powered, it includes a deep learning processing unit enabling advanced features and powerful analytics on the edge. For instance, AXIS Object Analytics can detect, track, and count humans. Also, AXIS Audio Analytics can detect critical sounds like scream or coughing fit. Furthermore, AXIS Edge Vault, a hardware-based cybersecurity platform, safeguards the device and offers FIPS 140-3 Level 3 certified secure key storage and operations.

- > [Day-and-night with IR illumination](#)
- > [Built-in privacy features](#)
- > [PIR Sensor for motion detection](#)
- > [AXIS Audio Analytics on the edge](#)
- > [Two-way audio communication](#)



AXIS M1075-L Mk II Box Camera

Camera

Variants

White

Image sensor

1/2.9" progressive scan RGB CMOS
Pixel size 2.8 µm

Lens

Fixed focal length, 3.16 mm, F2.0
Horizontal field of view: 103°
Vertical field of view: 55°
Fixed iris, IR corrected

Day and night

Automatically removable infrared-cut filter

Minimum illumination

Color: 0.18 lux at 50 IRE, F2.0
B/W: 0.04 lux at 50 IRE, F2.0
0 lux with IR illumination on

Shutter speed

1/19000 s to 1/5 s

System on chip (SoC)

Model

CV25

Memory

2048 RAM, 1024 Flash

Compute capabilities

Deep learning processing unit (DLPU)

Video

Video compression

H.264 (MPEG-4 Part 10/AVC) Main and High Profiles
H.265 (MPEG-H Part 2/HEVC) Main Profile
Motion JPEG

Resolution

1280x960 to 320x240 (4:3)
1920x1080 to 640x360 (16:9)

Frame rate

Up to 25/30 fps (50/60 Hz) with H.264, H.265, and in MJPEG¹ in all resolutions

Video streaming

Multiple, individually configurable streams in H.264, H.265, and Motion JPEG
Axis Zipstream technology in H.264 and H.265
Controllable frame rate and bandwidth
Support for low latency mode

Image settings

Saturation, contrast, brightness, sharpness, WDR: up to 120 dB depending on the scene, white balance, day/night threshold, exposure mode, exposure zones, compression, rotation: 0°, 90°, 180°, 270° including corridor format, Traffic light mode, Motion adaptive exposure, mirroring, dynamic overlay, privacy masks

Audio

Streaming

Two-way, full duplex
Echo cancellation and voice enhancer

Encoding

24bit LPCM, AAC-LC 8/16/32/48 kHz, G.711 PCM 8 kHz, G.726 ADPCM 8 kHz, Opus 8/16/48 kHz

Input/output

Built-in microphones (can be disabled), built-in speaker
74 dB-SPL (at 1 m / 39 in)

Network

Network protocols

IPv4, IPv6 USGv6, ICMPv4/ICMPv6, HTTP, HTTPS², HTTP/2, TLS², QoS Layer 3 DiffServ, FTP, SFTP, CIFS/SMB, SMTP, mDNS (Bonjour), UPnP[®], SNMP v1/v2c/v3 (MIB-II), DNS/DNSv6, NTP, PTP, NTS, RTSP, RTCP, RTP, SRTP/RTSPS, TCP, UDP, IGMPv1/v2/v3, DHCPv4/v6, SSH, LLDP, MQTT v3.1.1, Syslog, Link-Local address (ZeroConf)

1. Reduced frame rate in Motion JPEG

2. This product includes software developed by the OpenSSL Project for use in the OpenSSL Toolkit. (openssl.org), and cryptographic software written by Eric Young (eay@cryptsoft.com).

Network protocols

IPv4, IPv6 USGv6, ICMPv4/ICMPv6, HTTP, HTTPS³, HTTP/2, TLS³, QoS Layer 3 DiffServ, FTP, SFTP, CIFS/SMB, SMTP, mDNS (Bonjour), UPnP[®], SNMP v1/v2c/v3 (MIB-II), DNS/DNSv6, NTP, PTP, NTS, RTSP, RTCP, RTP, SRTP/RTSPS, TCP, UDP, IGMPv1/v2/v3, DHCPv4/v6, SSH, SIP, LLDP, MQTT v3.1.1, Secure syslog (RFC 3164/5424, UDP/TCP/TLS), Link-Local address (ZeroConf)

System integration

Application Programming Interface

Open API for software integration, including VAPIX[®] metadata and AXIS Camera Application Platform; specifications at axis.com

One-click cloud connection

ONVIF[®] Profile G, ONVIF[®] Profile M, ONVIF[®] Profile S, and ONVIF[®] Profile T, specification at onvif.org

Support for Session Initiation Protocol (SIP) for integration with Voice over IP (VoIP) systems, peer to peer or integrated with SIP/PBX

Onscreen controls

Privacy masks

Media clip

IR illumination

Event conditions

Audio: audio clip playing, audio detection

Device status: above operating temperature, above or below operating temperature, below operating temperature, IP address removed, live stream active, network lost, new IP address, system ready, within operating temperature

Edge storage: recording ongoing, storage disruption, storage health issues detected

I/O: digital input is active, digital output is active, manual trigger, virtual input is active

MQTT: subscribe

Scheduled and recurring: schedule

Video: average bitrate degradation, day-night mode, tampering

Event actions

Audio clips: play, stop

Day-night mode: use day-night mode while the rule is active

I/O: toggle I/O once, toggle I/O while the rule is active

Illumination: use lights, use lights while the rule is active

Images: FTP, HTTP, HTTPS, SFTP, email and network share

MQTT: publish

Notification: HTTP, HTTPS, TCP and email

Overlay text: use overlay text, use overlay text while the rule is active

Recordings: record video, record video while the rule is active

SNMP trap messages: send, send while the rule is active

Status LED: flash status LED, flash status LED while the rule is active

Video clips: FTP, HTTP, HTTPS, SFTP, email and network share

WDR mode: set WDR mode, set WDR mode while the rule is active

Analytics

Applications

Included

AXIS Object Analytics, AXIS Audio Analytics, AXIS Scene Metadata, AXIS Video Motion Detection, AXIS Live Privacy Shield, active tampering alarm

Supported

Support for AXIS Camera Application Platform enabling installation of third-party applications, see axis.com/acap

AXIS Object Analytics

Object classes: humans, vehicles (types: cars, buses, trucks, bikes)

Scenarios: line crossing, object in area, crossline counting, occupancy in area

Up to 10 scenarios

Other features: triggered objects visualized with color-coded bounding boxes

Polygon include/exclude areas

Perspective configuration

ONVIF Motion Alarm event

AXIS Audio Analytics

Features: sound pressure level, adaptive audio detection, audio classification

Audio classes: scream, shout, glass break, speech, coughing fit

Event metadata: audio detections, classifications

3. This product includes software developed by the OpenSSL Project for use in the OpenSSL Toolkit. (openssl.org), and cryptographic software written by Eric Young (ey@cryptsoft.com).

AXIS Scene Metadata

Object classes: humans, faces, vehicles (types: cars, buses, trucks, bikes), license plates

Object attributes: vehicle color, upper/lower clothing color, confidence, position

Approvals

EMC

EN 55032 Class A, EN 55035, EN 61000-6-1, EN 61000-6-2

Australia/New Zealand: RCM AS/NZS CISPR 32 Class A

Canada: ICES-3(A)/NMB-3(A)

Europe: CE

Japan: VCCI Class A

Korea: KS C 9832 Class A, KS C 9835

USA: FCC Part 15 Subpart B Class A

Safety

CAN/CSA C22.2 No. 62368-1 ed. 3, IEC/EN/UL 62368-1 ed. 3, IEC 62471 (exempt), IS 13252

Environment

IEC 60068-2-1, IEC 60068-2-2, IEC 60068-2-6, IEC 60068-2-14, IEC 60068-2-27, IEC 60068-2-78

Network

NIST SP500-267

Cybersecurity

ETSI EN 303 645, FIPS 140, BSI IT Security Label

Cybersecurity

Edge security

Software: Signed OS, brute force delay protection, digest authentication and OAuth 2.0 RFC6749 OpenID Authorization Code Flow for centralized ADFS account management, password protection, AES-XTS-Plain64 256bit SD card encryption

Axis Cryptographic Module (FIPS 140-3 Level 3)

Hardware: Axis Edge Vault cybersecurity platform Secure element (CC EAL 6+), system-on-chip security (TEE), Axis device ID, secure keystore, signed video, secure boot, encrypted filesystem (AES-XTS-Plain64 256bit)

Network security

IEEE 802.1X (EAP-TLS, PEAP-MSCHAPv2)⁴, IEEE 802.1AE (MACsec PSK/EAP-TLS), IEEE 802.1AR, HTTPS/HSTS⁴, TLS v1.2/v1.3⁴, Network Time Security (NTS), X.509 Certificate PKI, host-based firewall
With optional wireless dongle: WPA/WPA2-PSK, WPA/WPA2-Enterprise (EAP-TLS, EAP-PEAP/MSCHAPv2)

Documentation

AXIS OS Hardening Guide

Axis Vulnerability Management Policy

Axis Security Development Model

AXIS OS Software Bill of Material (SBOM)

To download documents, go to axis.com/support/cybersecurity/resources

To read more about Axis cybersecurity support, go to axis.com/cybersecurity

General

Casing

Aluminum and plastic casing

Color: white NCS S 1002-B

IP rating: IP40

Power

Power over Ethernet (PoE) IEEE 802.3af/802.3at Type 1 Class 3

Typical 5.4 W, max 12.95 W, Dynamic power mode

Connectors

Network: Shielded RJ45 10BASE-T/100BASE-TX PoE

I/O: 4-pin 2.5 mm terminal block for 1 alarm input and 1 output (12 V DC output, max load 25 mA)

USB

Bluetooth

Micro-HDMI

IR illumination

Optimized IR with power-efficient, long-life 850 nm IR LED

Range of reach 18 m (59 ft) or more depending on the scene

Storage

Support for SD card encryption (AES-XTS-Plain64 256bit)

Recording to network-attached storage (NAS)

For SD card and NAS recommendations see axis.com

PIR sensor

Passive infrared (PIR) motion sensor

Range: 7 m (23 ft)

4. This product includes software developed by the OpenSSL Project for use in the OpenSSL Toolkit. (openssl.org), and cryptographic software written by Eric Young (ey@cryptsoft.com).

Operating conditions

0 °C to 35 °C (32 °F to 95 °F)

Humidity 10–85% RH (non-condensing)

Storage conditions

Temperature: -40 °C to 65 °C (-40 °F to 149 °F)

Humidity: 5–95% RH (non-condensing)

Dimensions

105 x 60 x 93 mm (4.1 x 2.4 x 3.7 in)

Weight

153 g (0.34 lb)

Included accessories

Installation guide, Windows® decoder 1-user license, wall mount, terminal block connector

Optional accessories

AXIS TM1901 Wireless Kit

AXIS T8415 Wireless Installation Tool

AXIS Surveillance Cards

For more accessories, see axis.com

Video management systems

Compatible with AXIS Camera Station Edge, AXIS Camera Station Pro, AXIS Camera Station 5, and video management software from Axis' partners available at axis.com/vms.

Languages

English, German, French, Spanish, Italian, Russian, Simplified Chinese, Japanese, Korean, Portuguese, Polish, Traditional Chinese, Dutch, Czech, Swedish, Finnish, Turkish, Thai, Vietnamese

Warranty

5-year warranty, see axis.com/warranty

Software support

New feature development until 2028 (AXIS OS Active 12 and 13)

Support until 2033-12-31 (AXIS OS LTS 2028)

Read more about the AXIS OS lifecycle at help.axis.com/axis-os

Part numbers

Available at axis.com/products/axis-m1075-l-mk-ii#part-numbers

Sustainability

Substance control

PVC free, BFR/CFR free in accordance with JEDEC/ECA Standard JS709

Materials

PVC free, 68% recycled plastics

Renewable carbon-based plastic content: 68% (recycled), 4% (bio-based)

Screened for conflict minerals in accordance with OECD guidelines

To read more about sustainability at Axis, go to axis.com/about-axis/sustainability

Environmental responsibility

axis.com/environmental-responsibility

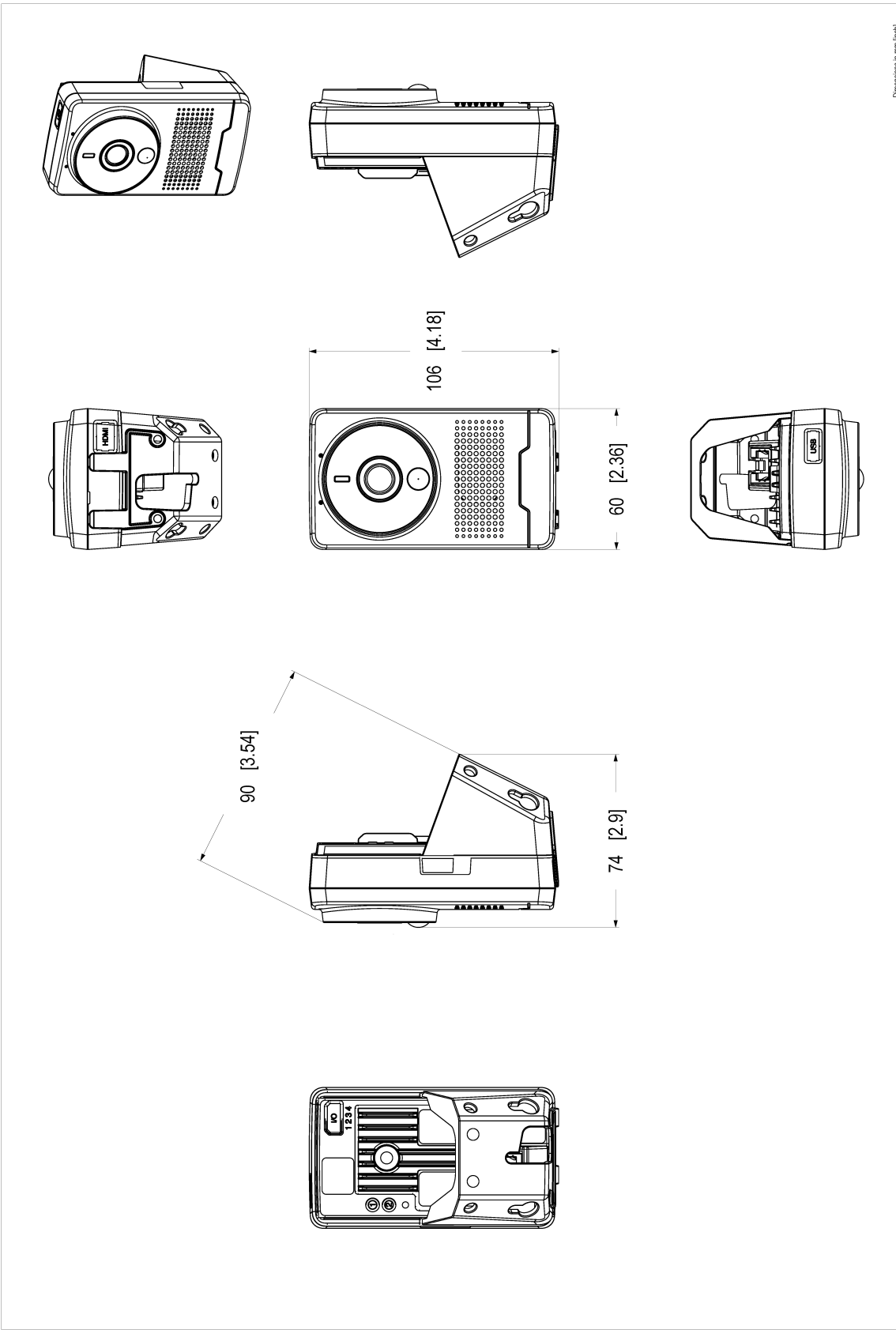
Axis Communications is a signatory of the UN Global Compact, read more at unglobalcompact.org

Detect, Observe, Recognize, Identify (DORI)

	DORI definition	Distance
Detect	25 px/m (8 px/ft)	42 m (137.7 ft)
Observe	63 px/m (19 px/ft)	16 m (52.4 ft)
Recognize	125 px/m (38 px/ft)	8 m (26.2 ft)
Identify	250 px/m (76 px/ft)	4 m (13.1 ft)

The DORI values are calculated using pixel densities for different use cases as recommended by the EN-62676-4 standard. The calculations use the center of the image as the reference point and consider lens distortion. The possibility to recognize or identify a person or object depends on factors such as object motion, video compression, lighting conditions, and camera focus. Use margins when planning. The pixel density varies across the image, and the calculated values can differ from the distances in the real world.

Dimension Drawing

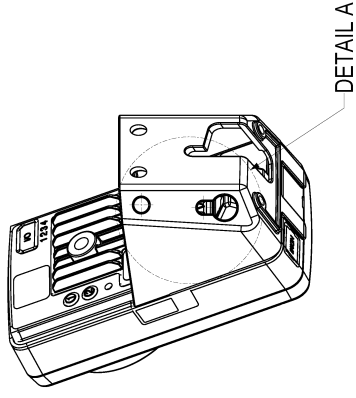
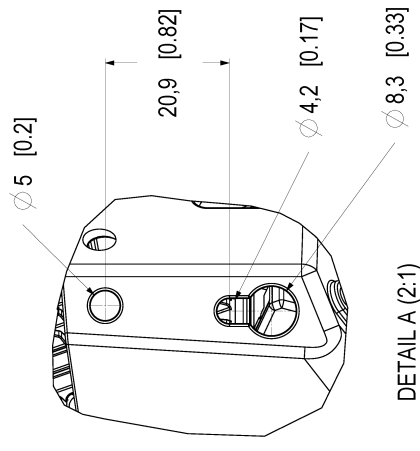


Dimensions in mm [inch]

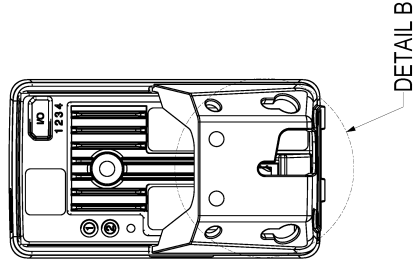
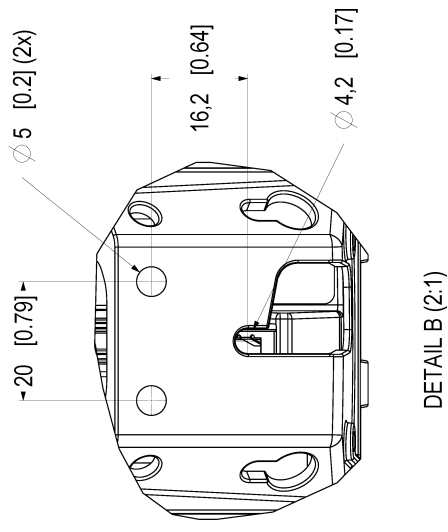
Part No.	Rev.
3895134	A2
Doc. No.	3895134
Version	1.0
Created	2005-05-10
Checked	
Approved	

AXIS M1075-L Mk II Box Camera

Mounting holes on the side of the product.



Mounting holes on the back of the product.



Dimensions in mm [inch]	
Scale	1:1
Issue	1
Version	1.0
Drawn by	...
Checked by	...
Part No.	3885134
Rev.	A2
Date	2/9

Highlighted capabilities

AXIS Edge Vault

AXIS Edge Vault is the hardware-based cybersecurity platform that safeguards the Axis device. It forms the foundation that all secure operations depend on and offer features to protect the device's identity, safeguard its integrity and protect sensitive information from unauthorized access. For instance, **secure boot** ensures that a device can boot only with **signed OS**, which prevents physical supply chain tampering. With signed OS, the device is also able to validate new device software before accepting to install it. The secure keystore is the critical building-block for protecting cryptographic information used for secure communication (IEEE 802.1X, HTTPS, Axis device ID, access control keys etc.) against malicious extraction in the event of a security breach. The **secure keystore** and secure connections are provided through a Common Criteria or FIPS 140 certified hardware-based cryptographic computing module. Furthermore, signed video ensures that video evidence can be verified as untampered. Each camera uses its unique video signing key, which is securely stored in the secure keystore, to add a signature into the video stream allowing video to be traced back to the Axis camera from where it originated. To read more about AXIS Edge Vault, see [axis.com/solutions/edge-vault](https://www.axis.com/solutions/edge-vault)

AXIS Object Analytics

AXIS Object Analytics is a pre-installed, multi-featured video analytics that detects and classifies humans, vehicles, and types of vehicles. Thanks to AI-based algorithms and behavioral conditions, it analyzes the scene and their spatial behavior within – all tailored to your specific needs. Scalable and edge-based, it requires minimum effort to set up and supports various scenarios running simultaneously

AXIS Audio Analytics

AXIS Audio Analytics uses adaptive audio detection to generate alarms on sudden increases in sound volume. With AI-based classifiers, it can detect screaming and shouting. You can also get extra confirmation by combining Axis audio analytics with video analytics. This smart application only transmits metadata, ensuring privacy is safeguarded. A core feature of AXIS OS, AXIS Audio Analytics comes pre-installed at no extra cost.

AXIS Live Privacy Shield

Remotely monitor activities both indoors and outdoors while safeguarding privacy in real-time. With AI-based dynamic masking you can choose what to mask or blur while addressing rules and regulations protecting privacy and personal data. The application enables masking of moving and still objects such as humans, license plates,

or backgrounds. The application works in real-time and on both live and recorded video streams.

Zipstream

The Axis Zipstream technology preserves all the important forensic details in the video stream while lowering bandwidth and storage requirements by more than 50%. Zipstream includes intelligent algorithms, which ensure that relevant forensic information is identified, recorded, and sent in full resolution and frame rate.