

AXIS Q3505-SVE Mk II Network Camera

Installation Guide

English	EN
---------	----

France: Français	FR
------------------	----

Deutschland: Deutsch	DE
----------------------	----

Italia: Italiano	IT
------------------	----

España: Español	ES
-----------------	----

日本: 日本語	JA
---------	----

中文: 简体中文	ZH
----------	----

Legal Considerations

Video and audio surveillance can be regulated by laws that vary from country to country. Check the laws in your local region before using this product for surveillance purposes.

This product includes one (1) H.264 decoder license and one (1) AAC decoder license. To purchase further licenses, contact your reseller.

Liability

Every care has been taken in the preparation of this document. Please inform your local Axis office of any inaccuracies or omissions. Axis Communications AB cannot be held responsible for any technical or typographical errors and reserves the right to make changes to the product and manuals without prior notice. Axis Communications AB makes no warranty of any kind with regard to the material contained within this document, including, but not limited to, the implied warranties of merchantability and fitness for a particular purpose. Axis Communications AB shall not be liable nor responsible for incidental or consequential damages in connection with the furnishing, performance or use of this material. This product is only to be used for its intended purpose.

Intellectual Property Rights

Axis AB has intellectual property rights relating to technology embodied in the product described in this document. In particular, and without limitation, these intellectual property rights may include one or more of the patents listed at www.axis.com/patent.htm and one or more additional patents or pending patent applications in the US and other countries.

This product contains licensed third-party software. See the menu item "About" in the product's user interface for more information.

This product contains source code copyright Apple Computer, Inc., under the terms of Apple Public Source License 2.0 (see www.opensource.apple.com/aps/). The source code is available from <https://developer.apple.com/bonjour/>

Equipment Modifications

This equipment must be installed and used in strict accordance with the instructions given in the user documentation. This equipment contains no user-serviceable components. Unauthorized equipment changes or modifications will invalidate all applicable regulatory certifications and approvals.

Trademark Acknowledgments

AXIS COMMUNICATIONS, AXIS, ETRAX, ARTPEC and VAPIX are registered trademarks or trademark applications of Axis AB in various jurisdictions. All other company names and products are trademarks or registered trademarks of their respective companies.

Apple, Boa, Apache, Bonjour, Ethernet, Internet Explorer, Linux, Microsoft, Mozilla, Real, SMPTE, QuickTime, UNIX, Windows, Windows Vista and WWW are registered trademarks of the respective holders. Java and all Java-based trademarks and logos are trademarks or registered trademarks of Oracle and/or its affiliates. UPnP™ is a certification mark of the UPnP™ Implementers Corporation.

SD, SDHC and SDXC are trademarks or registered trademarks of SD-3C, LLC in the United States, other countries or both. Also, miniSD, microSD, miniSDHC, microSDHC, microSDXC are all trademarks or registered trademarks of SD-3C, LLC in the United States, other countries or both.

Regulatory Information

Europe

CE This product complies with the applicable CE marking directives and harmonized standards:

- Electromagnetic Compatibility (EMC) Directive 2014/30/EU. See *Electromagnetic Compatibility (EMC) 4*.
- Low Voltage (LVD) Directive 2014/35/EU. See *Safety 5*.
- Restrictions of Hazardous Substances (RoHS) Directive 2011/65/EU. See *Disposal and Recycling 5*.

A copy of the original declaration of conformity may be obtained from Axis Communications AB. See *Contact Information 5*.

Electromagnetic Compatibility (EMC)

This equipment has been designed and tested to fulfill applicable standards for:

- Radio frequency emission when installed according to the instructions and used in its intended environment.
- Immunity to electrical and electromagnetic phenomena when installed according to the instructions and used in its intended environment.

USA

This equipment has been tested using a shielded network cable (STP) and found to comply with the limits for a Class A digital device, pursuant to part 15 of the FCC Rules. These limits are designed to provide reasonable protection against harmful interference when the equipment is operated in a commercial environment. This equipment generates, uses, and can radiate radio frequency energy and, if not installed and used in accordance with the instruction manual, may cause harmful interference to radio communications. Operation of this equipment in a residential area is likely to cause harmful interference in which case the user will be required to correct the interference at his own expense. The product shall be connected using a shielded network cable (STP) that is properly grounded.

Canada

This digital apparatus complies with CAN ICES-3 (Class A). The product shall be connected using a shielded network cable (STP) that is properly grounded. Cet appareil numérique est conforme à la norme NMB ICES-3 (classe A). Le produit doit être connecté à l'aide d'un câble réseau blindé (STP) qui est correctement mis à la terre.

Europe

This digital equipment fulfills the requirements for RF emission according to the Class A limit of EN 55032. The product shall be connected using a shielded network cable (STP) that is properly grounded. Notice! This is a Class A product. In a domestic environment this product may cause RF interference, in which case the user may be required to take adequate measures.

This product fulfills the requirements for emission and immunity according to EN 50121-4 and IEC 62236-4 railway applications.

This product fulfills the requirements for immunity according to EN 61000-6-1 residential, commercial and light-industrial environments.

This product fulfills the requirements for immunity according to EN 61000-6-2 industrial environments.

This product fulfills the requirements for immunity according to EN 55024 office and commercial environments.

Australia/New Zealand

This digital equipment fulfills the requirements for RF emission according to the Class A limit of AS/NZS CISPR 32. The product shall be connected using a shielded network cable (STP) that is properly grounded. Notice! This is a Class A product. In a domestic environment this product may cause RF interference, in which case the user may be required to take adequate measures.

Japan

この装置は、クラスA情報技術装置です。この装置を家庭環境で使用すると電波妨害を引き起こすことがあります。この場合には使用者が適切な対策を講ずるよう要求されることがあります。本製品は、シールドネットワークケーブル(STP)を使用して接続してください。また適切に接地してください。

Korea

이 기기는 가정용(B급) 전자파적합기기로서 주로 가정에서 사용하는 것을 목적으로 하며, 모든 지역에서 사용할 수 있습니다. 적절히 접지된 STP (shielded twisted pair) 케이블을 사용하여 제품을 연결 하십시오.

Safety

This product complies with IEC/EN/UL 60950-1 and IEC/EN/UL 60950-22, Safety of Information Technology Equipment. The product shall be grounded either through a shielded network cable (STP) or other appropriate method.

Disposal and Recycling

When this product has reached the end of its useful life, dispose of it according to local laws and regulations. For information about your nearest designated collection point, contact your local authority responsible for waste disposal. In accordance with local legislation, penalties may be applicable for incorrect disposal of this waste.

Europe



■ This symbol means that the product shall not be disposed of together with household or commercial waste. Directive 2012/19/EU on waste electrical and electronic equipment (WEEE) is applicable in the European Union member states. To prevent potential harm to human health and the environment, the product must be disposed of in an approved and environmentally safe recycling process. For information about your nearest designated collection point, contact your local authority responsible for waste disposal. Businesses should contact the product supplier for information about how to dispose of this product correctly.

This product complies with the requirements of Directive 2011/65/EU on the restriction of the use of certain hazardous substances in electrical and electronic equipment (RoHS).

China



This product complies with the requirements of the legislative act Administration on the Control of Pollution Caused by Electronic Information Products (ACPEIP).

Contact Information

Axis Communications AB
Emdalavägen 14
223 69 Lund
Sweden

Tel: +46 46 272 18 00

Fax: +46 46 13 61 30

www.axis.com

Support

Should you require any technical assistance, please contact your Axis reseller. If your questions cannot be answered immediately, your reseller will forward your queries through the appropriate channels to ensure a rapid response. If you are connected to the Internet, you can:

- download user documentation and software updates
- find answers to resolved problems in the FAQ database.
- Search by product, category, or phrase
- report problems to Axis support staff by logging in to your private support area
- chat with Axis support staff
- visit Axis Support at www.axis.com/techsup/

Learn More!

Visit Axis learning center www.axis.com/academy/ for useful trainings, webinars, tutorials and guides.

Safety Information

Read through this Installation Guide carefully before installing the product. Keep the Installation Guide for future reference.

EN

Hazard Levels

▲DANGER

Indicates a hazardous situation which, if not avoided, will result in death or serious injury.

▲WARNING

Indicates a hazardous situation which, if not avoided, could result in death or serious injury.

▲CAUTION

Indicates a hazardous situation which, if not avoided, could result in minor or moderate injury.

NOTICE

Indicates a situation which, if not avoided, could result in damage to property.

Other Message Levels

Important

Indicates significant information which is essential for the product to function correctly.

Note

Indicates useful information which helps in getting the most out of the product.

Safety Instructions

▲CAUTION

Be careful of sharp metal edges. Use cut-resistant gloves during installation.

NOTICE

- The Axis product shall be used in compliance with local laws and regulations.
- Store the Axis product in a dry and ventilated environment.
- Do not install the product on unstable poles, brackets, surfaces or walls.
- Use only applicable tools when installing the Axis product. Using excessive force with power tools could cause damage to the product.
- Use only accessories that comply with the technical specification of the product. These can be provided by Axis or a third party.
- Use only spare parts provided by or recommended by Axis.
- Do not attempt to repair the product yourself. Contact Axis support or your Axis reseller for service matters.

Transportation

NOTICE

- When transporting the Axis product, use the original packaging or equivalent to prevent damage to the product.

Battery

The Axis product uses a 3.0 V CR2032 lithium battery as the power supply for its internal real-time clock (RTC). Under normal conditions this battery will last for a minimum of five years.

Low battery power affects the operation of the RTC, causing it to reset at every power-up. When the battery needs replacing, a log message will appear in the product's server report. For more information about the server report, see the product's setup pages or contact Axis support.

The battery should not be replaced unless required, but if the battery does need replacing, contact Axis support at www.axis.com/techsup for assistance.

Lithium coin cell 3.0 V batteries contain 1,2-dimethoxyethane; ethylene glycol dimethyl ether (EGDME), CAS no. 110-71-4.

▲WARNING

- Risk of explosion if the battery is incorrectly replaced.
- Replace only with an identical battery or a battery which is recommended by Axis.
- Dispose of used batteries according to local regulations or the battery manufacturer's instructions.

Dome Cover

NOTICE

- Be careful not to scratch, damage or leave fingerprints on the dome cover because this could decrease image quality. If possible, keep the protective plastic on the dome cover until the installation is complete.
- Do not clean a dome cover that looks clean to the eye and never polish the surface. Excessive cleaning could damage the surface.
- For general cleaning of the dome cover it is recommended to use a non-abrasive, solvent-free neutral soap or detergent mixed with pure water and a soft, clean cloth. Rinse well with pure lukewarm water. Dry with a soft, clean cloth to prevent water spotting.
- Never use harsh detergents or alcohols (isopropyl, butyl, propyl) and avoid cleaning the dome cover in direct sunlight or at elevated temperatures.

EN

Installation Guide

This Installation Guide provides instructions for installing AXIS Q3505-SVE Mk II Network Camera on your network. For other aspects of using the product, see the User Manual available at www.axis.com

EN

Package Contents

For optional accessories see axis.com

- AXIS Q3505-SVE Mk II Network Camera
- Screw bit TR20
- I/O connector
- Connector guard
- Adhesive gasket
- Extra cable gaskets
 - Cable Gasket M20
 - Cable Gasket M20-3mm
- Printed materials
 - Installation Guide (this document)
 - Drill template
 - Extra serial number label (2x)
 - AVHS Authentication key

Recommended Tools

NOTICE

Stainless steel is corrosion-resistant, but extraneous rust can appear if the material is handled incorrectly. Use stainless tools to avoid rust stains or pitting corrosion.

- Resitorx key TR20

Optional Accessories

- AXIS T94U01D Pendant Kit
- AXIS T94U02D Pendant Kit
- AXIS T91F67 Pole Mount
- AXIS T91F61 Wall Mount
- AXIS Dome Intrusion Switch B
- AXIS Q3505-SVE Mk II Smoked Dome

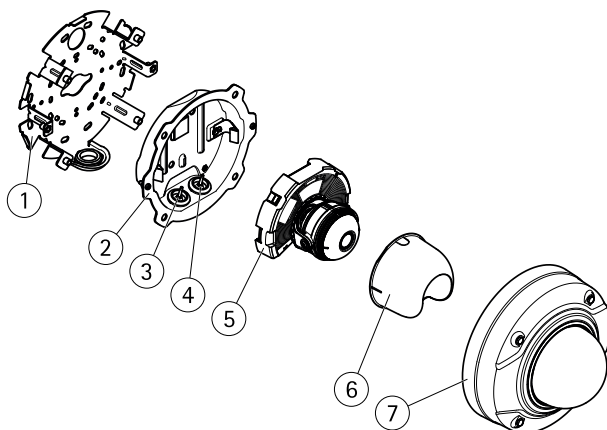
AXIS Q3505-SVE Mk II Network Camera

- Multi-connector cable for connection of I/O and audio

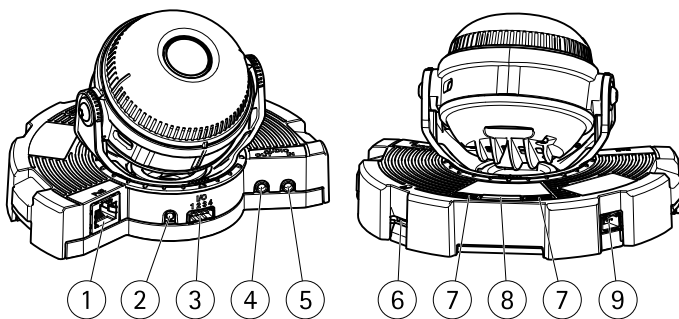
For information about available accessories, see www.axis.com

Hardware Overview

For specifications of the hardware components, see *Technical Specifications on page 16*.



- 1 Mounting bracket
- 2 Unit casing
- 3 Cable gasket, network cable
- 4 Cable gasket, multicable
- 5 Camera unit
- 6 View protection
- 7 Dome cover



- 1 Network connector

- 2 Control button
- 3 I/O connector
- 4 Audio in connector
- 5 Audio out connector
- 6 SD card slot
- 7 Status LED
- 8 Function button
- 9 Not used

LED Indicators

Note

- The Status LED can be configured to flash while an event is active.
- The Status LED can be configured to flash for identifying the unit. Go to **Setup > System Options > Maintenance** .

Status LED	Indication
Unlit	Connection and normal operation.
Green	Shows steady green for 10 seconds for normal operation after startup completed.
Amber	Steady during startup. Flashes during firmware upgrade or reset to factory default.
Amber/Red	Flashes amber/red if network connection is unavailable or lost.

Status LED behavior and buzzer signal for leveling assistant

For information on the function button used for leveling the image, see *page 14*.

Color	Buzzer	Camera position
Fixed green	Continuous beep	Level
Flashing green	Fast beeps	Almost level
Flashing orange	Medium beeps	Not level
Flashing red	Slow beeps	Far from level

SD card slot

NOTICE

- Risk of damage to SD card. Do not use sharp tools, metal objects or excessive force when inserting or removing the SD card. Use your fingers to insert and remove the card.

AXIS Q3505-SVE Mk II Network Camera

- Risk of data loss and corrupted recordings. Do not remove the SD card while the product is running. Disconnect power or unmount the SD card from the Axis product's webpages before removal.

This product supports microSD/microSDHC/microSDXC cards (not included).

For SD card recommendations, see www.axis.com

Buttons

Control Button

For location of the control button, see *Hardware Overview on page 12*.

The control button is used for:

- Resetting the product to factory default settings. See *page 22*.
- Connecting to an AXIS Video Hosting System service or AXIS Internet Dynamic DNS Service. For more information about these services, see the User Manual.

Function Button

The function button has multiple functions:

- **As leveling Assistant** – This function helps to ensure the image is level. Press the button for about 2 seconds to start the leveling assistant and press again to stop. The status LED (see *page 13*) and buzzer signal assist leveling of the image. The image is level when the buzzer beeps continuously.
- **To view the Status LED** – Press the button once to light up the Status LEDs. Press again to turn them off. The LEDs will turn off automatically after 10 seconds.

Connectors

Network Connector

RJ45 Ethernet connector with Power over Ethernet (PoE).

NOTICE

The product shall be connected using a shielded network cable (STP). All cables connecting the product to the network shall be intended for their specific use. Make sure that the network devices are installed in accordance with the manufacturer's instructions. For information about regulatory requirements, see *Electromagnetic Compatibility (EMC) 4*.

I/O Connector

Use with external devices in combination with, for example, tampering alarms, motion detection, event triggering, and alarm notifications. In addition to the 0 V DC reference point and power (DC output), the I/O connector provides the interface to:

- **Digital output** – For connecting external devices such as relays and LEDs. Connected devices can be activated by the VAPIX® Application Programming Interface, output buttons on the Live View page or by an Action Rule. The output will show as active (shown under **System Options > Ports & Devices**) if the alarm device is activated.
- **Digital input** – For connecting devices that can toggle between an open and closed circuit, for example: PIRs, door/window contacts, glass break detectors, etc. When a signal is received the state changes and the input becomes active (shown under **System Options > Ports & Devices**).

Audio Connector

The Axis product has the following audio connectors:

- **Audio in (pink)** – 3.5 mm input for a mono microphone, or a line-in mono signal.
- **Audio out (green)** – 3.5 mm output for audio (line level) that can be connected to a public address (PA) system or an active speaker with a built-in amplifier. A stereo connector must be used for audio out.

3.5 mm audio connectors (stereo)



	1 Tip	2 Ring	3 Sleeve
Audio Input	Balanced: 'Hot' signal Microphone/Line in Unbalanced: Microphone/Line in	Balanced: 'Cold' signal Microphone/Line in Unbalanced: Unused	Ground
Audio Output	Line out, mono (stereo connector compatible)	Line out, mono (stereo connector compatible)	Ground

The internal microphone is used by default; the external microphone is used when connected. It is possible to disable the internal microphone by connecting a plug to the microphone input.

AXIS Q3505-SVE Mk II Network Camera

Multicable (sold separately)

The multicable can be purchased from an Axis reseller for connecting external equipment to the Axis product. The cable provides the following connectors:

Audio connector – See *Connectors* on page 14

I/O connector – See *Connectors* on page 14

Power connector – Not used.

Technical Specifications

You can find the latest version of the technical specifications at www.axis.com

Operating Conditions

Product	Classification	Temperature	Humidity
AXIS Q3505-SVE Mk II	IEC 60529 IP6K9K NEMA 250 4X-rated	– 50°C to 60°C (– 58°F to 140°F)	10-100% RH (non-condensing)

Power consumption

NOTICE

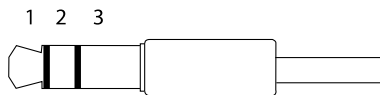
Use a limited power source (LPS) with either a rated output power limited to ≤ 100 W or a rated output current limited to ≤ 5 A.

Product	PoE
AXIS Q3505-SVE Mk II	Power over Ethernet (PoE) IEEE 802.3af/802.3at Type 1, Class 3, max. 11.4 W

Connectors

Audio Connector

3.5 mm audio connectors (stereo)

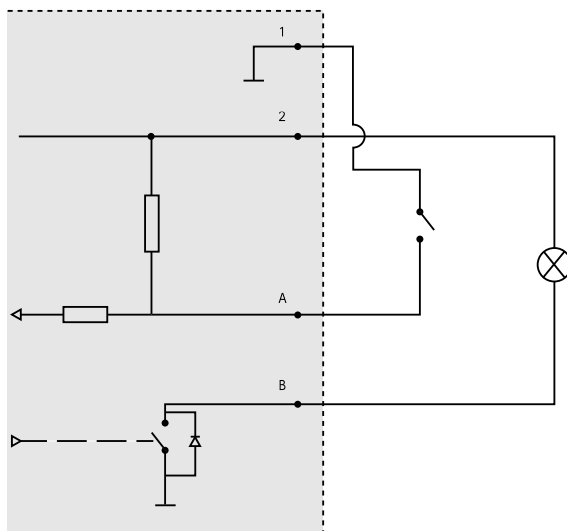


	1 Tip	2 Ring	3 Sleeve
Audio Input	Balanced: 'Hot' signal Microphone/Line in Unbalanced: Microphone/Line in	Balanced: 'Cold' signal Microphone/Line in Unbalanced: Unused	Ground
Audio Output	Line out, mono (stereo connector compatible)	Line out, mono (stereo connector compatible)	Ground

The internal microphone is used by default; the external microphone is used when connected. It is possible to disable the internal microphone by connecting a plug to the mic input.

Connection Diagrams

I/O Connector



- 1 0 V DC (-)
- 2 DC output 12 V, max 50 mA
- A I/O configured as input
- B I/O configured as output

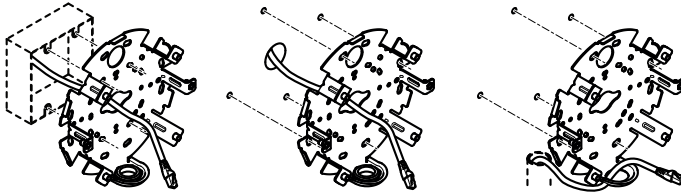
Install the hardware

Mounting bracket

The mounting bracket has eight holes along the edge that should be used for fastening the bracket to a wall.

To mount the bracket on a junction box, there are also holes for these mounting options:

- Standard-sized US double gang junction box
- Standard-sized US single gang junction box
- 4" square box
- 4" octagon box



Depending on whether you want to use a junction box, or route the cables through or along the wall, follow the relevant instructions below.

To mount the camera on a junction box:

1. Attach the adhesive gasket to the back of the mounting bracket.
2. Route the network cable (and the multicable if required) through the junction box and through the hole in the mounting bracket.
3. Attach the mounting bracket to the junction box with appropriate stainless screws.

To route cables through the wall:

1. Using the drill template drill 4 holes for mounting the bracket, and a hole for routing the cables through the wall.
2. Attach the adhesive gasket to the back of the mounting bracket.
3. Route the network cable (and the multicable if required) through the wall and through the hole in the mounting bracket.
4. Attach the mounting bracket to the wall with appropriate stainless screws.

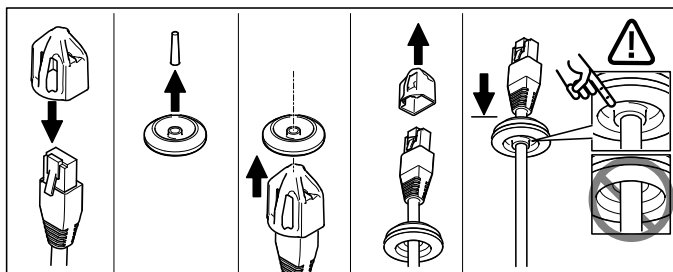
To route the cables along the wall and through the side hole on the mounting bracket:

1. Attach the adhesive gasket to the back of the mounting bracket.
2. Unscrew the plug from the side hole on the mounting bracket.

3. Route the network cable (and the multicable if required) through the conduit and through the hole in the mounting bracket.
4. Attach the mounting bracket to the wall with appropriate stainless screws.
5. Attach the conduit to the mounting bracket.

Connect cables and attach camera to mounting bracket

1. Insert the microSD card in the camera unit (optional).
2. Remove the cable gasket for the network cable from the unit casing, see *Hardware Overview on page 12*.
3. Pull to remove the tab on the gasket, and use the provided connector guard to push the network cable through the gasket. Pull the network cable back slightly so that the cable gasket adjusts itself on the cable.

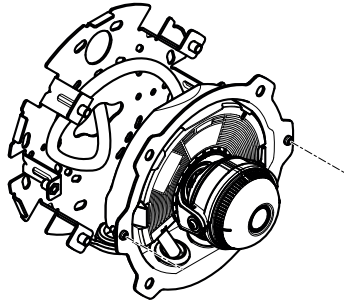


NOTICE

Not pulling the cable back could cause water to seep in and damage the product.

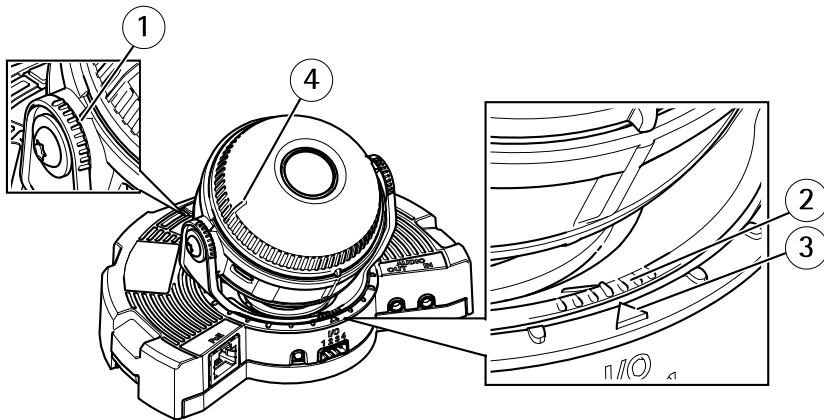
4. If using a multicable, remove the other cable gasket from the unit casing and discard it.
5. Pull the cables through the unit casing and attach the cable gaskets to the unit casing.
6. Connect the cables to the camera unit.
7. Pull the springs aside in the unit casing and attach the camera unit to the unit casing, pulling the cables through the cable gaskets to shorten them as required.

AXIS Q3505-SVE Mk II Network Camera



8. Wind up the cable slack along the mounting bracket and attach the unit casing to the mounting bracket with the two screws.
9. Verify that the cable gaskets are correctly mounted against the unit casing and the cables.

Adjust the camera angle



- 1 Lines on optic holder that indicate an increment in the tilt angle by 10°
- 2 Small lines on optic mount that indicate a pan increment of 3°
- 3 Lines on optic mount that indicate a pan increment of 15°
- 4 Lines on lens cover to help ensure camera is level

1. Pan, tilt and rotate the camera to cover the area under surveillance. It is possible to pan 360°, and tilt to an angle of 90°.
2. Pan and rotate the lens to adjust the image.
3. Use the two lines on the lens cover to ensure that the camera is level. To activate the leveling assistant, press the function button. See *Function Button* on page 14.

Attach Dome Cover

1. Attach the view protection to the camera unit.
2. Make sure the gasket in the dome cover is clean and sits securely in place.
3. Place the dome cover on the unit casing and tighten the screws to 2.0 Nm (1.5 lb ft) with the supplied TR20 screw bit.
4. Remove the protective film from the dome cover.

Access the Product

AXIS IP Utility and AXIS Camera Management are recommended methods for finding Axis products on the network and assigning them IP addresses in Windows®. Both applications are free and can be downloaded from www.axis.com/techsup

The product can be used with most operating systems and browsers. We recommend the following browsers:

- Internet Explorer® with Windows®
- Safari® with OS X®
- Chrome™ or Firefox® with other operating systems.

For more information about using the product, see the User Manual available at www.axis.com

Set focus and zoom

These instructions are valid if you have selected **Optical zoom** for installation during camera startup.

1. Go to **Setup > Video Et Audio**.
2. On the focus page go to the **Basic** tab.
3. Set the zoom level using the slider.

Note

Movements in front of the camera should be avoided when performing autofocus.

4. Click **Perform autofocus**.
5. If the result is not satisfactory, go to the **Advanced** tab.

On the **Advanced** tab, focus can be adjusted manually:

1. Click **Open iris** to open the iris to its maximum position. This gives the smallest depth of field and provides the best conditions for focusing.
2. Focus is set in the **Focus window**. Use the mouse to move and resize the focus window.
3. Click in the **Focus position** bar to focus on a desired location.
4. When satisfied, click **Enable iris** to enable the iris.

Set focus and zoom limits

These instructions are valid if you have selected **Optical zoom for monitoring** during camera startup.

To set focus and zoom for a new preset position:

1. Go to **PTZ > Preset Positions** and set the focus and zoom for your preferred area in the camera image.
2. Enter a name for your preset position in the **Current position field** and select **Use current position as Home**.
3. Click **Add** to add your current position as a preset position.
4. Select your preset position in the **Available positions** drop-down list.
5. Click **Go to** to set the camera in your preset position.
6. Click **Save**.

To set limits for focus and zoom:

1. Go to **Video & Audio > Focus & Zoom**.
2. Select a value in the drop-down list for **Zoom limit** to limit the camera's maximum zoom area.
The digital zoom level is indicated with the letter **D**.
3. To preview the zoom limit, click **Go to** this position.
4. Select a value in the drop-down list for **Focus near limit** to prevent the camera from focusing on objects that are too close.
5. Click **Save**.

Note

You can still set focus and zoom in **Video & Audio > Focus & Zoom**, but your settings are not saved after camera restart.

Reset to Factory Default Settings

Important

Reset to factory default should be used with caution. A reset to factory default will reset all settings, including the IP address, to the factory default values.

Note

The installation and management software tools are available from the support pages on www.axis.com/techsup

To reset the product to the factory default settings:

1. Disconnect power from the product.
2. Press and hold the control button and reconnect power. See *Hardware Overview on page 12*.

3. Keep the control button pressed for 15–30 seconds until the status LED indicator flashes amber.
4. Release the control button. The process is complete when the status LED indicator turns green. The product has been reset to the factory default settings. If no DHCP server is available on the network, the default IP address is 192.168.0.90
5. Using the installation and management software tools, assign an IP address, set the password, and access the video stream.

It is also possible to reset parameters to factory default via the web interface. Go to **Setup > System Options > Maintenance** and click **Default**.

Further information

- For the latest version of this document, see www.axis.com
- The user manual is available at www.axis.com
- To check if there is updated firmware available for your product, see www.axis.com/support
- For useful online trainings and webinars, see www.axis.com/academy

Warranty Information

For information about Axis' product warranty and thereto related information, see www.axis.com/warranty/

Informations sur la sécurité

Niveaux de risques

▲DANGER

Indique une situation dangereuse qui, si elle n'est pas évitée, entraînera le décès ou des blessures graves.

▲AVERTISSEMENT

Indique une situation dangereuse qui, si elle n'est pas évitée, pourrait entraîner le décès ou des blessures graves.

▲ATTENTION

Indique une situation dangereuse qui, si elle n'est pas évitée, pourrait entraîner des blessures légères ou modérées.

AVIS

Indique une situation qui, si elle n'est pas évitée, pourrait endommager l'appareil.

Autres niveaux de message

Important

Indique les informations importantes, nécessaires pour assurer le bon fonctionnement de l'appareil.

Note

Indique les informations utiles qui permettront d'obtenir le fonctionnement optimal de l'appareil.

Consignes de sécurité

▲ATTENTION

Faire attention aux bords métalliques coupants. Porter des gants de protection anti-coupures pendant l'installation.

AVIS

- Le produit Axis doit être utilisé conformément aux lois et réglementations locales en vigueur.
- Conserver ce produit Axis dans un environnement sec et ventilé.
- Ne pas installer ce produit sur des poteaux, supports, surfaces ou murs instables.
- Utiliser uniquement des outils recommandés pour l'installation de l'appareil Axis. L'application d'une force excessive sur l'appareil avec des outils puissants pourrait l'endommager.
- Utiliser uniquement des accessoires conformes aux caractéristiques techniques de votre produit. Ils peuvent être fournis par Axis ou un tiers. Axis recommande d'utiliser un équipement d'alimentation Axis compatible avec votre produit.
- Utiliser uniquement les pièces de rechange fournies ou recommandées par Axis.
- Ne pas essayer de réparer vous-même ce produit. Contacter l'assistance technique d'Axis ou votre revendeur Axis pour des problèmes liés à l'entretien.

Transport

AVIS

- Lors du transport du produit Axis, utilisez l'emballage d'origine ou un équivalent pour éviter d'endommager le produit.

Batterie

Le produit Axis utilise une batterie au lithium CR2032 3,0 V comme alimentation de son horloge en temps réel interne (RTC). Dans des conditions normales, cette batterie a une durée de vie minimale de cinq ans.

Si la batterie est faible, le fonctionnement de l'horloge en temps réel peut être affecté et entraîner sa réinitialisation à chaque mise sous tension. Un message enregistré apparaît dans le rapport de serveur du produit lorsque la batterie doit être remplacée. Pour tout complément d'information concernant le rapport de serveur, reportez-vous aux pages de Configuration du produit ou contactez l'assistance technique d'Axis.

La batterie doit être remplacée uniquement en cas de besoin, et pour ce faire, contactez l'assistance technique d'Axis à l'adresse www.axis.com/support et obtenir de l'aide.

Les piles boutons 3,0 V au lithium contiennent du 1,2-diméthoxyéthane, éthylène glycol diméthyl éther (EGDME), CAS N° 110-71-4.

⚠️ AVERTISSEMENT

- Risque d'explosion si la batterie est remplacée de façon incorrecte.
- Remplacez-la uniquement par une batterie identique ou une batterie recommandée par Axis.
- Mettez au rebut les batteries usagées conformément aux réglementations locales ou aux instructions du fabricant de la batterie.

FR

Couvercle de dôme

AVIS

- Veillez à ne pas rayer, endommager ou laisser d'empreintes sur le couvercle du dôme car cela pourrait altérer la qualité d'image. Laissez, si possible, la protection en plastique sur le couvercle du dôme jusqu'à la fin de l'installation.
- Ne nettoyez pas le couvercle du dôme s'il semble propre à l'œil nu et ne frottez jamais sa surface. Un nettoyage excessif pourrait endommager la surface.
- Pour le nettoyage général du couvercle du dôme, il est recommandé d'utiliser un produit non abrasif, un savon neutre sans solvant ou un détergent mélangé avec de l'eau pure et un chiffon doux propre. Rincez bien à l'eau tiède pure. Séchez avec un chiffon doux et propre pour éviter les tâches d'eau.
- N'utilisez jamais de détergents agressifs ou d'alcools (isopropylique, butylique, propylique) et évitez toute exposition directe aux rayons du soleil ou à des températures élevées lors du nettoyage.

Guide d'installation

Ce guide d'installation explique comment installer la caméra AXIS Q3505-SVE Mk II sur votre réseau. Pour toute autre information relative à l'utilisation du produit, consultez le manuel de l'utilisateur disponible sur le site www.axis.com

Contenu de l'emballage

FR

Pour la liste des accessoires en option, consultez axis.com

- Caméra réseau AXIS Q3505-SVE Mk II
- Embout pour vis TR20
- Connecteur E/S
- Protection du connecteur
- Joint adhésif
- Joints de câble supplémentaires
 - Joint de câble M20
 - Joint de câble M20-3 mm
- Documents imprimés
 - Guide d'installation (ce document)
 - Gabarit de perçage
 - Étiquette supplémentaire de numéro de série (x2)
 - Clé d'authentification AVHS

Outils recommandés

AVIS

L'acier inoxydable résiste à la corrosion, mais de la rouille erratique peut apparaître si le matériel n'est pas manipulé correctement. Utilisez des outils en acier inoxydable pour éviter les taches de rouille ou la formation de piqûres de rouille.

- Clé Resitorx TR20

Accessoires en option

- Kit de suspension AXIS T94U01D
- Kit de suspension AXIS T94U02D
- Fixation pour poteau AXIS T91F67
- Fixation murale AXIS T91F61
- Interrupteur d'intrusion de dôme AXIS

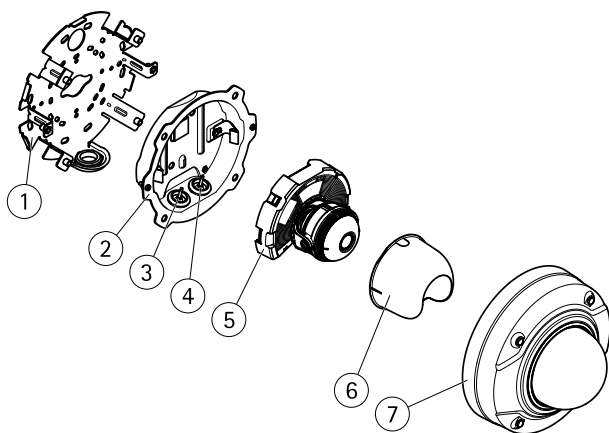
AXIS Q3505-SVE Mk II Network Camera

- Dôme fumé AXIS Q3505-SVE Mk II
- Câble multiconnexion pour la connexion d'E/S et audio

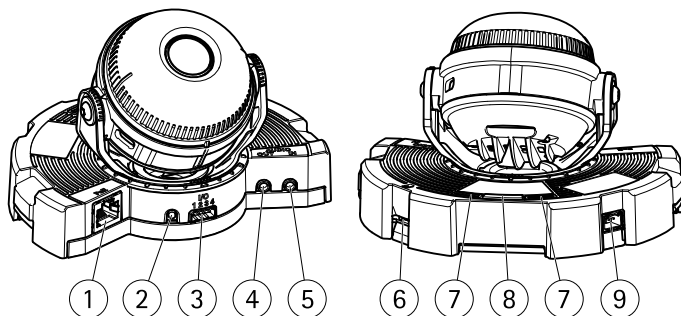
Pour plus d'informations sur les accessoires disponibles, consultez le site www.axis.com

Aperçu du matériel

Pour connaître les caractéristiques des composants matériels, consultez *Caractéristiques techniques* page 34.



- 1 Support de fixation
- 2 Boîtier de l'unité
- 3 Joint de câble, câble réseau
- 4 Joint de câble, câble multiple
- 5 Caméra
- 6 Protection
- 7 Couvercle de dôme



- 1 *Connecteur réseau*
- 2 *Bouton de commande*
- 3 *Connecteur E/S*
- 4 *Connecteur d'entrée audio*
- 5 *Connecteur de sortie audio*
- 6 *Emplacement pour carte SD*
- 7 *Voyant d'état*
- 8 *Bouton Fonction*
- 9 *Non utilisé*

Voyants

Note

- Le voyant d'état peut clignoter lorsqu'un événement est actif.
- Le voyant d'état peut clignoter pendant l'identification de l'appareil. Rendez-vous dans **Setup > System Options > Maintenance (Configuration > Options du système > Maintenance)**.

Voyant d'état	Indication
Éteint	Branchement et fonctionnement normal.
Vert	Vert et fixe pendant 10 secondes pour indiquer un fonctionnement normal après le démarrage.
Orange	Fixe pendant le démarrage. Clignote pendant les mises à niveau du microprogramme ou le rétablissement des valeurs par défaut configurées en usine.
Orange / Rouge	Clignote en orange/rouge en cas d'indisponibilité ou de perte de la connexion réseau.

Comportement du voyant d'état et du signal sonore pour l'assistant de nivellement

Pour plus d'informations sur le bouton Fonction utilisé pour la stabilisation de l'image, consultez *page 32*.

Couleur	Avertisseur	Position de la caméra
Vert fixe	Signal sonore continu	Niveau
Clignote en vert	Bips rapides	Presque niveau
Orange clignotant	Bips moyens	Pas niveau
Rouge clignotant	Bips lents	Loin du niveau

Emplacement pour carte SD

AVIS

- La carte SD risque d'être endommagée. Ne pas utiliser d'outils tranchants ou d'objets métalliques et ne pas forcer lors de l'insertion ou du retrait de la carte SD. Utilisez vos doigts pour insérer et retirer la carte.
- Risque de perte de données et d'enregistrements corrompus. Ne retirez pas la carte SD tant que le produit est en fonctionnement. Débranchez l'alimentation ou démontez la carte SD des pages Web du produit avant de la retirer.

Cet appareil est compatible avec des cartes microSD/microSDHC/microSDXC (cartes non fournies).

Pour obtenir des conseils sur la carte SD, rendez-vous sur www.axis.com

Boutons

Bouton de commande

Pour connaître l'emplacement du bouton de commande, consultez *Aperçu du matériel page 30*.

Le bouton de commande permet de réaliser les opérations suivantes :

- Réinitialisation du produit aux paramètres d'usine par défaut. Cf. *page 41*.
- Connexion au service du Système d'hébergement vidéo AXIS ou au service AXIS Internet Dynamic DNS. Pour plus d'informations sur ces services, reportez-vous au Manuel de l'utilisateur.

Bouton Fonction

Le bouton Fonction permet de réaliser les opérations suivantes :

- **Assistant de nivellement** : cette fonction permet de s'assurer que l'image est stable. Appuyez sur le bouton pendant environ 2 secondes pour démarrer l'assistant de nivellement et appuyez une nouvelle fois pour le désactiver. Le voyant d'état (cf. page 32) et le signal sonore vous aident lors de la stabilisation de l'image. Lorsque l'avertisseur émet un signal sonore continu, cela signifie que l'image est stable.
- **Affichage des voyants d'état** : appuyez sur le bouton une fois pour allumer les voyants d'état. Appuyez à nouveau pour les éteindre. Les voyants s'éteignent automatiquement après 10 secondes.

Connecteurs

Connecteur réseau

Connecteur Ethernet RJ45 avec l'alimentation par Ethernet (PoE).

AVIS

Le produit doit être connecté à l'aide d'un câble réseau blindé (STP). Tous les câbles reliant le produit au commutateur réseau doivent être destinés à leur usage spécifique. Assurez-vous que les périphériques réseau sont installés conformément aux instructions du fabricant. Pour plus d'informations sur les exigences réglementaires, consultez *Electromagnetic Compatibility (EMC) 4*.

Connecteur d'E/S

Utilisez-le avec des périphériques externes, associés aux applications telles que les alarmes de détérioration, la détection de mouvement, le déclenchement d'événements et les notifications d'alarme. En plus du point de référence 0 V CC et de l'alimentation (sortie CC), le connecteur d'E/S fournit une interface aux éléments suivants :

- **Sortie numérique** – Permet de connecter des dispositifs externes, comme des relais ou des voyants. Les appareils connectés peuvent être activés par l'interface de programmation VAPIX®, des boutons de sortie sur la page Live View (Vidéo en direct) ou par une règle d'action. La sortie est considérée comme étant active (comme indiqué dans **System Options > Ports & Devices (Options du système > Ports et dispositifs)**) si le dispositif d'alarme est activé.
- **Entrée numérique** – Pour connecter des dispositifs pouvant passer d'un circuit ouvert à un circuit fermé, par exemple : détecteurs infrarouge passifs, contacts de porte/fenêtre, détecteurs de bris de verre, etc. À la réception d'un signal, l'état change et l'entrée s'active (sous **System Options > Ports & Devices (Options du système > Ports et dispositifs)**).

Connecteur audio

Le produit Axis dispose des connecteurs audio suivants :

- **Entrée audio (rose)** – entrée de 3,5 mm pour microphone mono ou signal d'entrée mono.

AXIS Q3505-SVE Mk II Network Camera

- **Sortie audio (verte)** : sortie de 3,5 mm (sortie de ligne) qui peut être connectée à un système de sonorisation (PA) ou à un haut-parleur actif avec amplificateur intégré. Un connecteur stéréo doit être utilisé pour la sortie audio.

Connecteurs
audio 3,5 mm (stéréo)



	1 Pointe	2 Anneau	3 Manchon
Entrée audio	Équilibré : Entrée micro/ligne point chaud Déséquilibré : Entrée micro/ligne	Équilibré : Entrée micro/ligne point froid Déséquilibré : Inutilisé	Masse
Sortie audio	Sortie de ligne, mono (compatible connecteur stéréo)	Sortie de ligne, mono (compatible connecteur stéréo)	Masse

Le microphone interne est utilisé par défaut ; le microphone externe est utilisé lorsqu'il est connecté. Il est possible de désactiver le microphone interne en posant un bouchon sur l'entrée microphone.

Câble multiple (vendu séparément)

Le câble multiple peut être acheté auprès d'un revendeur Axis pour connecter un équipement externe au produit Axis. Le câble fournit les connecteurs suivants :

Connecteur audio – Cf. *Connecteurs* page 33

Connecteur E/S – Cf. *Connecteurs* page 33

Connecteur d'alimentation – Non utilisé.

Caractéristiques techniques

Pour obtenir la dernière version de la fiche technique, rendez-vous sur www.axis.com > produit > Support et documentation.

Conditions d'utilisation

Produit	Classification	Température	Humidité
AXIS Q3505-SVE Mk II	IEC 60529 IP6K9K NEMA 250 4X	de - 50°C à 60°C (- 58°F à 140°F)	Humidité relative de 10 à 100 % (sans condensation)

FR

Consommation électrique

AVIS

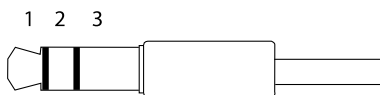
Utilisez une source d'alimentation limitée (LPS) dont la puissance de sortie nominale est limitée à ≤ 100 W ou dont le courant de sortie nominal est limité à ≤ 5 A.

Produit	PoE
AXIS Q3505-SVE Mk II	Alimentation par Ethernet (PoE) IEEE 802.3af/802.3at Type 1, Classe 3, max. 11,4 W

Connecteurs

Connecteur audio

Connecteurs
audio 3,5 mm (stéréo)

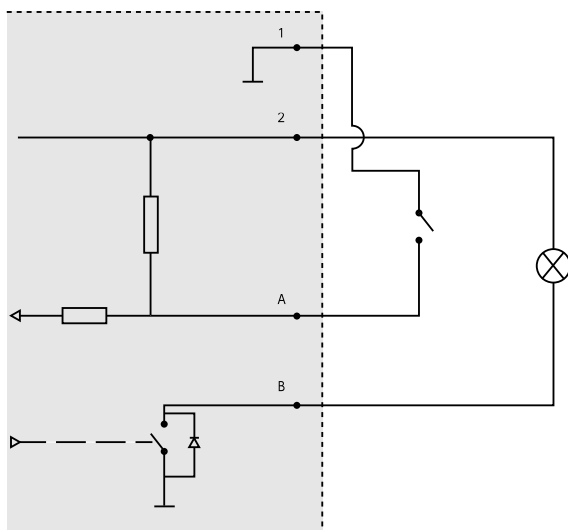


	1 Pointe	2 Anneau	3 Manchon
Entrée audio	Équilibré : Entrée micro/ligne point chaud Déséquilibré : Entrée micro/ligne	Équilibré : Entrée micro/ligne point froid Déséquilibré : Inutilisé	Masse
Sortie audio	Sortie de ligne, mono (compatible connecteur stéréo)	Sortie de ligne, mono (compatible connecteur stéréo)	Masse

Le microphone interne est utilisé par défaut ; le microphone externe est utilisé lorsqu'il est connecté. Il est possible de désactiver le microphone interne en posant un bouchon sur l'entrée microphone.

Schémas de connexion

Connecteur d'E/S



- 1 0 VCC (-)
- 2 Sortie CC 12 V, maxi. 50 mA
- A Entrée/sortie configurée comme entrée
- B Entrée/sortie configurée comme sortie

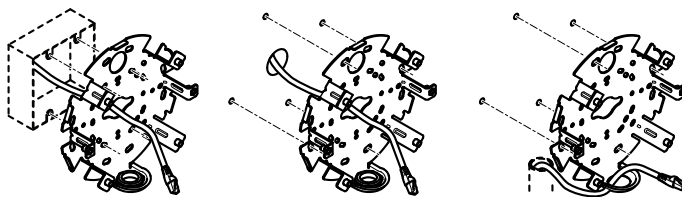
Installation du matériel

Support de fixation

Le bord du support de fixation comporte huit trous qui doivent être utilisés pour le fixer sur un mur.

Pour fixer le support sur un boîtier de jonction, il existe également des trous pour ces options de montage :

- Boîtier de jonction américain double de taille normale
- Boîtier de jonction américain simple de taille normale
- Boîtier carré de 4 po
- Boîtier octogonal de 4 po



Selon que vous souhaitez utiliser un boîtier de jonction ou faire passer les câbles le long du mur ou à travers le mur, suivez les instructions correspondantes ci-dessous.

Montage de la caméra sur un boîtier de jonction :

1. Fixez le joint adhésif à l'arrière du support de fixation.
2. Faites passer le câble réseau (ainsi que le câble multiple, si nécessaire) à travers le boîtier de jonction et dans le trou du support de fixation.
3. Fixez le support de fixation au boîtier de jonction en utilisant des vis inoxydables appropriées.

Acheminement des câbles à travers le mur :

1. Utilisez les 4 trous du gabarit de perçage pour fixer le support et un trou pour acheminer les câbles à travers le mur.
2. Fixez le joint adhésif à l'arrière du support de fixation.
3. Faites passer le câble réseau (ainsi que le câble multiple, si nécessaire) à travers le mur et dans le trou du support de fixation.
4. Fixez le support de fixation au mur en utilisant des vis inoxydables appropriées.

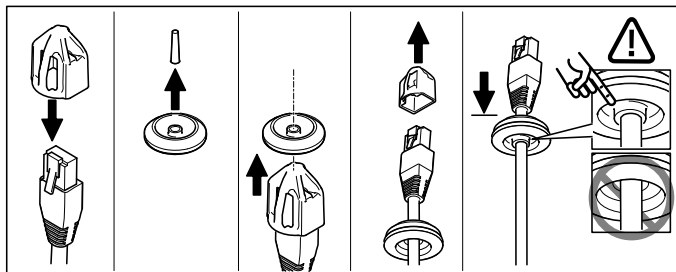
Pour acheminer les câbles à travers le mur et à travers le trou latéral du support de fixation :

1. Fixez le joint adhésif à l'arrière du support de fixation.
2. Dévissez le cache par le trou latéral du support de fixation.
3. Faites passer le câble réseau (ainsi que le câble multiple, si nécessaire) à travers le conduit et dans le trou du support de fixation.
4. Fixez le support de fixation au mur en utilisant des vis inoxydables appropriées.
5. Fixez le conduit au support de fixation.

Connexion des câbles et fixation de la caméra au support de fixation

1. Insérez la carte microSD dans la caméra (en option).
2. Retirez le joint du câble réseau du boîtier de l'unité, voir *Aperçu du matériel* page 30.
3. Tirez pour retirer la patte du joint, puis utilisez la protection du connecteur fournie pour pousser le câble réseau à travers le joint. Tirez légèrement sur le câble réseau pour que le joint s'ajuste dessus.

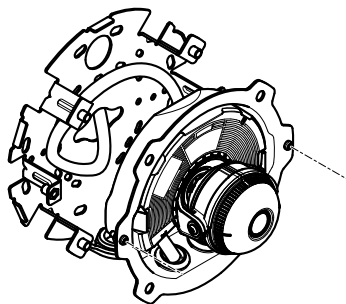
AXIS Q3505-SVE Mk II Network Camera



AVIS

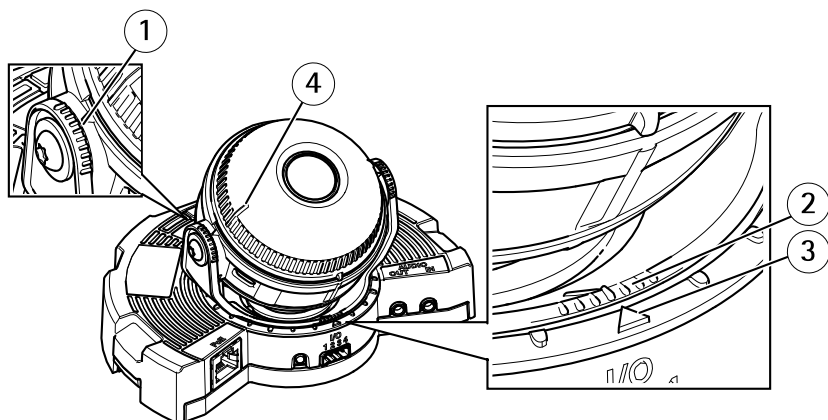
Si vous ne tirez pas sur le câble, il existe un risque d'infiltration d'eau et d'endommagement du produit.

4. Si vous utilisez un câble multiple, retirez l'autre joint de câble du boîtier de l'unité et mettez-le au rebut.
5. Faites passer les câbles à travers le boîtier de l'unité et fixez les joints de câble sur ce dernier.
6. Connectez les câbles à la caméra.
7. Écartez les ressorts du boîtier de l'unité et fixez la caméra au boîtier, en tirant sur les câbles à travers les joints de câble afin de les raccourcir si besoin.



8. Enroulez la longueur du câble le long du support de fixation et fixez le boîtier de l'unité sur le support de fixation avec les deux vis.
9. Vérifiez que les joints de câble sont correctement montés sur le boîtier de l'unité et les câbles.

Réglage de l'angle de la caméra



- 1 Lignes sur le support optique qui indiquent un incrément de l'angle d'inclinaison de 10°
- 2 Petites lignes sur la monture optique qui indiquent un incrément sur le plan panoramique de 3°
- 3 Lignes sur la monture optique qui indiquent un incrément sur le plan panoramique de 15°
- 4 Lignes sur le couvercle de l'objectif permettant de s'assurer que la caméra est à niveau

1. Faites un panoramique, inclinez et faites pivoter la caméra dans la zone surveillée. Il est possible de faire un panoramique de 360° et d'incliner la caméra à 90°.
2. Faites un panoramique et faites pivoter l'objectif pour ajuster l'image.
3. Utilisez les deux lignes situées sur le couvercle de l'objectif pour vous assurer que la caméra est à niveau. Pour activer l'assistant de mise à niveau, appuyez sur le bouton fonction. Cf. *Bouton Fonction* page 32.

Fixation du couvercle de dôme

1. Fixez la protection sur la caméra.
2. Assurez-vous que le joint du couvercle de dôme est propre et bien en place.
3. Placez le couvercle de dôme sur le boîtier de l'unité et serrez les vis à 2,0 Nm (1,5 livre par pied) avec l'embout pour vis TR20 fourni.
4. Retirez le film protecteur du couvercle de dôme.

Comment accéder au produit

Si vous souhaitez rechercher des produits Axis sur le réseau ou leur affecter des adresses IP sous Windows®, nous recommandons l'utilisation des applications AXIS IP Utility et AXIS Camera Management. Ces deux applications sont gratuites et peuvent être téléchargées depuis www.axis.com/support

Le produit peut être utilisé avec la plupart des systèmes d'exploitation et des navigateurs. Nous recommandons les navigateurs suivants :

- Internet Explorer® avec Windows®,
- Safari® avec OS X®
- Chrome™ ou Firefox® avec les autres systèmes d'exploitation.

Pour plus d'informations concernant l'utilisation du produit, consultez le manuel de l'utilisateur disponible sur le site www.axis.com

Régler la mise au point et le zoom :

Ces instructions sont applicables si vous avez sélectionné l'option (Zoom optique pour l'installation), lors du démarrage de la caméra.

1. Accédez à **Setup > Video Et Audio (Configuration > Vidéo > Configuration > Vidéo et audio)**.
2. Sur la page mise au point, accédez à l'onglet **Base**.
3. Réglez le niveau du **zoom** à l'aide du curseur.

Note

Les mouvements devant la caméra doivent être évités lors de la mise au point.

4. Cliquez sur **Faire une mise au point automatique**.
5. Si le résultat n'est pas satisfaisant, accédez à l'onglet **Avancé**.

Dans l'onglet **Advanced (Avancé)**, la mise au point peut être réglée manuellement :

1. Cliquez sur **Open iris (Ouvrir l'iris)** pour ouvrir l'iris en position maximale. La plus petite profondeur de champ est ainsi obtenue et offre les meilleures conditions pour une mise au point correcte.
2. La mise au point se règle dans la **fenêtre de mise au point**. Utilisez la souris pour déplacer et redimensionner la fenêtre de mise au point.
3. Cliquez dans la barre **Position de mise au point** pour effectuer la mise au point sur un élément spécifique.
4. Une fois que le réglage vous convient, cliquez sur **Activer l'iris** pour activer l'iris.

Définition des limites de mise au point et du zoom

Ces instructions sont applicables si vous avez sélectionné l'option **Zoom optique pour la surveillance** lors du démarrage de la caméra.

Définir la mise au point et le zoom pour une nouvelle position préregistrée :

1. Accédez à **PTZ > Preset Positions (Positions préregistrées)** et réglez la mise au point et le zoom sur une zone préférée de l'image de la caméra.
2. Saisissez un nom pour la position préregistrée dans le **champ Position actuelle** et sélectionnez **Use current position as Home** (Utiliser position actuelle en page d'accueil).
3. Cliquez sur **Ajouter** pour ajouter votre position actuelle comme position préregistrée.
4. Sélectionnez votre position préregistrée dans la liste déroulante **Positions disponibles**.
5. Cliquez sur **Accéder à** pour régler la caméra sur votre position préregistrée.
6. Cliquez sur **Save** [Enregistrer].

FR

Pour limiter la mise au point et le zoom :

1. Accédez à **Video Et Audio > Focus Et Zoom**.
2. Sélectionnez une valeur dans la liste déroulante **Limite zoom** pour limiter la zone maximale du zoom de la caméra.
Le niveau numérique du zoom est indiqué par la lettre **D**.
3. Pour prévisualiser la limite du zoom, cliquez sur **Aller à** dans cette position.
4. Sélectionnez une valeur dans la liste déroulante pour **Limite de mise au point proche** de façon à éviter la mise au point sur des objets se trouvant trop près de la caméra.
5. Cliquez sur **Save** (Enregistrer).

Note

Vous pouvez encore régler la mise au point et le zoom dans **Video Et Audio > Focus Et Zoom**, mais vos réglages ne sont pas enregistrés après le redémarrage de la caméra.

Réinitialisation aux paramètres d'usine par défaut

Important

La réinitialisation aux paramètres par défaut doit être utilisée avec prudence. Cette opération reconfigure tous les paramètres, y compris l'adresse IP, aux valeurs d'usine par défaut.

Note

Les logiciels d'installation et de gestion sont disponibles sur les pages d'assistance du site www.axis.com/techsup

Pour réinitialiser l'appareil aux paramètres d'usine par défaut :

1. Déconnectez l'alimentation de l'appareil.

2. Maintenez le bouton de commande enfoncé et remettez l'appareil sous tension. Consultez *Aperçu du matériel* page 30.
3. Maintenez le bouton de commande enfoncé pendant 15 à 30 secondes, jusqu'à ce que le voyant d'état passe à l'orange et clignote.
4. Relâchez le bouton de commande. Le processus est terminé lorsque le voyant d'état passe au vert. Les paramètres d'usine par défaut de l'appareil ont été rétablis. En l'absence d'un serveur DHCP sur le réseau, l'adresse IP par défaut est 192.168.0.90.
5. Utilisez les outils d'installation et de gestion pour attribuer une adresse IP, configurer le mot de passe et accéder au flux de données vidéo.

Il est également possible de rétablir les paramètres d'usine à partir de l'interface Web. Accédez à **Setup > System Options > Maintenance (Configuration > Options du système > Maintenance)** et cliquez sur **Default (Défaut)**.

Informations complémentaires

- Pour la dernière version de ce document, consultez le site www.axis.com
- Le Manuel de l'utilisateur est disponible à l'adresse suivante : www.axis.com
- Pour vérifier si des mises à jour des logiciels sont disponibles pour votre appareil réseau, consultez le site www.axis.com/techsup.
- Pour en savoir plus sur les formations, les webinaires, les tutoriels et les guides, visitez le site www.axis.com/academy.

Informations sur la garantie

Pour obtenir de plus amples informations sur la garantie du produit AXIS et des renseignements connexes, visitez le site www.axis.com/warranty/

Sicherheitsinformationen

Gefährdungsstufen

▲GEFAHR

Weist auf eine gefährliche Situation hin, welche zum Tod oder zu schweren Verletzungen führt.

▲WARNUNG

Weist auf eine gefährliche Situation hin, welche, falls nicht verhindert, zu Tod oder schweren Verletzungen führen kann.

▲VORSICHT

Weist auf eine gefährliche Situation hin, welche, falls nicht verhindert, zu geringfügiger oder mäßiger Verletzung führen kann.

HINWEIS

Weist auf eine gefährliche Situation hin, welche, falls nicht verhindert, zu Sachschäden führen kann.

Weitere Nachrichtenstufen

Wichtig

Weist auf wichtige Informationen hin, die den richtigen Betrieb des Produkts gewährleisten.

Beachten

Weist auf nützliche Informationen hin, die die optimale Verwendung des Produkts unterstützen.

Sicherheitsanweisungen

▲VORSICHT

Achten Sie auf scharfe Metallkanten. Tragen Sie während der Installation Schnittschutzhandschuhe.

HINWEIS

- Das Axis Produkt muss unter Beachtung der örtlich geltenden Gesetze und Bestimmungen benutzt werden.
- Lagern Sie das Axis Produkt in einer trockenen und belüfteten Umgebung.
- Installieren Sie das Produkt nicht an instabilen Masten, Halterungen, Oberflächen oder Wänden.
- Verwenden Sie bei der Installation des Axis Produkts ausschließlich passende Werkzeuge. Ein zu großer Kraftaufwand mit elektrischen Werkzeugen kann das Produkt beschädigen.
- Verwenden Sie nur Zubehör, das den technischen Vorgaben Ihres Produkts entspricht. Dieses ist von Axis oder Drittanbietern erhältlich. Axis empfiehlt die mit Ihrem Produkt kompatible Stromversorgung von Axis.
- Verwenden Sie ausschließlich Ersatzteile die von Axis angeboten oder empfohlen werden.
- Versuchen Sie nicht, dieses Produkt selbstständig zu reparieren. Wenden Sie sich bezüglich Reparatur und Wartung an den Axis Support oder Ihren Axis Händler.

Transport

HINWEIS

- Bei Bedarf transportieren Sie das Axis Produkt in der Originalverpackung oder einer entsprechenden Verpackung, so dass Schäden vermieden werden.

Batterie

Das Axis-Produkt ist mit einer 3,0 V-CR2032-Lithium-Batterie ausgestattet, mit der die interne Echtzeituhr (RTC) versorgt wird. Unter normalen Bedingungen hat die Batterie eine Lebensdauer von mindestens fünf Jahren.

Bei entladener Batterie ist der Betrieb der Echtzeituhr nicht mehr gewährleistet, sodass die Uhr bei jedem Systemstart zurückgesetzt wird. Sie erhalten eine Protokollnachricht im Serverbericht des Produkts, wenn ein Batteriewechsel erforderlich ist. Weitere Informationen über den Serverbericht finden Sie auf den Setup-Seiten des Produkts, oder wenden Sie sich an den Axis Support.

Die Batterie sollte nur bei Bedarf ersetzt werden. Wenden Sie sich in diesem Fall unter www.axis.com/support an den Axis-Support.

Lithium-Knopfzellen (3,0 V) enthalten 1,2-Dimethoxyethan; Ethylenglycoldimethylether (EGDME), CAS-Nr. 110-71-4.

⚠WARNUNG

- Explosionsgefahr bei fehlerhaftem Batteriewechsel.
- Die Batterie darf nur durch eine identische Batterie oder eine von Axis empfohlene Batterie ersetzt werden.
- Verbrauchte Batterien sind gemäß den örtlichen Vorschriften oder den Anweisungen des Herstellers zu entsorgen.

Kuppelabdeckung

HINWEIS

- Achten Sie darauf die Kuppelabdeckung weder zu zerkratzen, zu beschädigen oder darauf Fingerabdrücke zu hinterlassen, da dies die Bildqualität beeinträchtigen kann. Falls möglich entfernen Sie die Schutzfolie erst nachdem die Installation abgeschlossen ist.
- Säubern Sie niemals eine Kuppelabdeckung, wenn diese sauber erscheint, und polieren Sie keinesfalls die Oberfläche. Zu häufiges Säubern kann die Oberfläche beschädigen.
- Für die normale Reinigung der Kuppelabdeckung werden eine nicht-scheuernde, lösungsmittelfreie neutrale Seife oder ein entsprechendes Reinigungsmittel mit destilliertem Wasser und ein sauberer, weicher Lappen empfohlen. Spülen Sie die Kuppelabdeckung gründlich mit lauwarmem destilliertem Wasser ab. Trocknen Sie die Kuppelabdeckung mit einem weichen, sauberen Tuch, um Wasserflecken zu vermeiden.
- Verwenden Sie niemals starke Reinigungsmittel oder Alkohol (Isopropanol, Butylalkohol, Propylalkohol) und vermeiden Sie, die Kuppelabdeckung im direkten Sonnenlicht oder bei erhöhten Temperaturen zu säubern.

Installationsanleitung

Diese Anleitung beschreibt die Installation der Netzwerk-Kamera AXIS Q3505-SVE Mk II in Ihr Netzwerk. Weitere Informationen zur Nutzung dieses Produkts finden Sie im Benutzerhandbuch auf www.axis.com.

Lieferumfang

Für optionales Zubehör, siehe axis.com

- Netzwerk-Kamera AXIS Q3505-SVE Mk II
- Schraub-Bit TR20
- E/A-Anschluss
- Verbindungsschutz
- Klebedichtung
- Zusätzliche Kabeldichtungen
 - Kabeldichtung M20
 - Kabeldichtung M20 (3 mm)
- Gedrucktes Material
 - Installationsanleitung (dieses Dokument)
 - Bohrschablone
 - Zusätzliche Etiketten mit der Seriennummer (2x)
 - AVHS-Authentifizierungsschlüssel

DE

Empfohlene Werkzeuge

HINWEIS

Edelstahl ist korrosionsbeständig, bei unsachgemäßer Handhabung kann jedoch Fremdrost auftreten. Verwenden Sie Werkzeuge aus Edelstahl, um Rostflecken oder Lochfraß zu vermeiden.

- Resitorx-Schlüssel TR20

Optionales Zubehör

- Hängemontageset AXIS T94U01D
- Hängemontageset AXIS T94U02D
- Masthalterung AXIS T91F67
- Wandhalterung AXIS T91F61
- AXIS Kuppel-Manipulationsschalter B

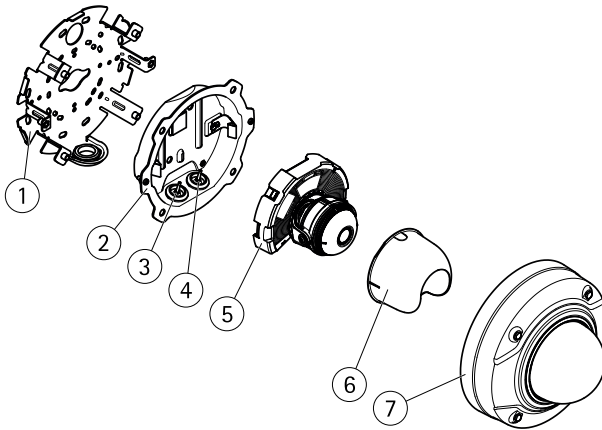
AXIS Q3505-SVE Mk II Network Camera

- Getönte Kuppel AXIS Q3505-SVE Mk II
- Mehrfachanschlusskabel für E/A- und Audiogeräte

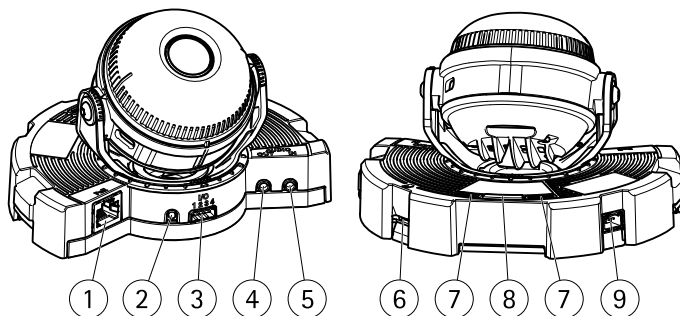
Unter www.axis.com finden Sie Informationen über verfügbares Zubehör.

Übersicht über die Hardware

Die technischen Daten für Hardwarekomponenten finden Sie unter *Technische Daten auf Seite 52*.



- 1 Montagehalterung
- 2 Kameragehäuse
- 3 Kabeldichtung, Netzwerkkabel
- 4 Kabeldichtung, Mehrfachanschlusskabel
- 5 Kameraeinheit
- 6 Sichtschutz
- 7 Kuppelabdeckung



- 1 Netzwerkanschluss
- 2 Steuertaste
- 3 E/A-Anschluss
- 4 Anschluss für Audioeingang
- 5 Anschluss für Audioausgang
- 6 SD-Kartensteckplatz
- 7 Status-LED
- 8 Funktionstaste
- 9 Nicht verwendet

DE

LEDs

Beachten

- Die Status-LED kann so eingestellt werden, dass sie blinkt, wenn ein Ereignis aktiv ist.
- Die Status-LED kann so eingestellt werden, dass sie blinkt, wenn die Einheit erkannt wird. Rufen Sie **Setup > System Options > Maintenance (Setup > Systemoptionen > Wartung)** auf.

Status-LED	Bedeutung
Leuchtet nicht	Anschluss und Normalbetrieb
Grün	Leuchtet bei Normalbetrieb nach Abschluss des Startvorgangs 10 Sekunden lang grün.
Gelb	Leuchtet beim Start. Blinkt während Firmware-Aktualisierung und Wiederherstellung der Werkseinstellungen.
Gelb/rot	Blinkt gelb/rot, wenn die Netzwerkverbindung nicht verfügbar ist oder unterbrochen wurde.

Verhalten von LED-Statusanzeige und Summton des Nivellier-Assistenten

Informationen zum Gebrauch der Funktionstaste beim Nivellieren des Bildes siehe *Seite 50*.

AXIS Q3505-SVE Mk II Network Camera

Farbe	Summer	Kameraposition
Grün konstant	Dauerton	Ausgerichtet
Grün blinkend	Schnelle Einzeltonfolge	Fast nivelliert
Orange blinkend	Mittelschnelle Einzeltonfolge	Nicht nivelliert
Rot blinkend	Langsame Einzeltonfolge	Völlig unnivelliert

SD-Karteneinschub

HINWEIS

- Gefahr von Schäden an der SD-Karte. Verwenden Sie beim Einlegen oder Entfernen der SD-Karte keine scharfen/spitzen Werkzeuge oder Gegenstände aus Metall und wenden Sie nicht zu viel Kraft an. Setzen Sie die Karte per Hand ein. Das Gleiche gilt für das Entfernen.
- Gefahr von Datenverlust und Beschädigung der Aufnahmen. Die SD-Karte darf nicht entfernt werden, während das Produkt in Betrieb ist. Trennen Sie die Stromversorgung oder deaktivieren Sie die SD-Karte vor dem Entfernen über die Webseite des Produkts.

Dieses Produkt unterstützt microSD-/microSDHC-/microSDXC-Karten (separat erhältlich).

Empfehlungen zu SD-Karten finden Sie unter www.axis.com.

Tasten

Steuertaste

Die Lage der Steuertaste wird hier beschrieben: *Übersicht über die Hardware auf Seite 48.*

Die Steuertaste hat folgende Funktionen:

- Zurücksetzen des Produkts auf die Werkseinstellungen. Siehe *Seite 59.*
- Verbinden mit einem AXIS Video Hosting System-Service oder einem AXIS Internet Dynamic DNS-Service. Weitere Informationen zu diesen Diensten finden Sie in der Bedienungsanleitung.

Funktionstaste

Die Funktionstaste hat mehrere Aufgaben:

- **Nivellier-Assistent** – Diese Funktion unterstützt das Nivellieren des Bildes. Die Taste ca. 2 Sekunden lang betätigen, um den Nivellier-Assistenten zu starten. Die Taste erneut betätigen, um den Assistenten zu beenden. Die LED-Statusanzeige (siehe *Seite 49*) und der Summton unterstützen das Nivellieren des Bildes. Das Bild ist nivelliert, wenn der Summton als Dauerton erklingt.

- **Kontrolle der Status-LEDs** – Drücken Sie die Taste einmal, leuchten die Status-LEDs auf. Drücken Sie die Taste erneut, erlöschen die LEDs. Die LEDs werden nach zehn Sekunden automatisch ausgeschaltet.

Anschlüsse

Netzwerkanschluss

RJ45-Ethernetanschluss mit Power over Ethernet (PoE).

HINWEIS

Das Produkt muss mit einem abgeschirmten Netzkabel (STP) angeschlossen werden. Alle Kabel, die das Produkt mit dem Netzwerkschalter verbinden, müssen hierfür ausgelegt sein. Stellen Sie sicher, dass die Netzwerkgeräte gemäß den Anweisungen des Herstellers installiert wurden. Informationen zu gesetzlichen Bestimmungen finden Sie unter *Electromagnetic Compatibility (EMC) 4*.

E/A-Anschluss

Zur Verwendung mit externen Geräten in Verbindung mit Manipulationsalarmen, Bewegungserkennung, Ereignisauslösung, Alarmbenachrichtigungen usw. Abgesehen von 0 V DC-Bezugspunkt und Strom (Gleichstromausgang) verfügt der E/A-Anschluss über eine Schnittstelle zu:

- **Digitalausgang** – Zum Anschluss externer Geräte wie Relais und LEDs. Angeschlossene Geräte können über die VAPIX® Application Programming Interface (Programmierschnittstelle) über die Schaltflächen für den Ausgang auf der Seite „Live View“ oder durch eine Aktionsregel aktiviert werden. Der Ausgang wird als aktiv (siehe **System Options > Ports & Devices (Systemoptionen > Anschlüsse & Geräte)**) angezeigt, wenn das Alarmmeldegerät aktiviert ist.
- **Digitaleingang** – Für den Anschluss von Geräten, die zwischen geöffnetem und geschlossenem Schaltkreis wechseln können, z. B.: PIR-Sensoren, Tür-/Fensterkontakte, Glasbruchmelder usw. Bei Empfang eines Signals ändert sich der Status und der Eingang wird aktiviert (siehe **System Options > Ports & Devices (Systemoptionen > Anschlüsse & Geräte)**).

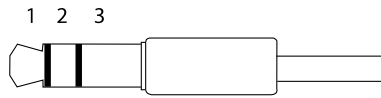
Audioanschlüsse

Das Axis Produkt ist mit den folgenden Audioanschlüssen ausgestattet:

- **Audioeingang (rosa)** – 3,5-mm-Anschluss für ein Monomikrofon oder ein Monosignal.
- **Audioausgang (grün)** – 3,5-mm-Audioausgang (Leitungspegel) zum Anschließen einer Rundrufanlage (PA) oder eines Aktivlautsprechers mit integriertem Verstärker. Für den Audioausgang muss ein Stereostecker verwendet werden.

AXIS Q3505-SVE Mk II Network Camera

3,5-mm-
Audioanschlüsse
(Stereo)



	1 Spitze	2 Ring	3 Schaft
Audioeingang	Symmetrisch: „Hot“-Mikrofon-/Leitungseingang Unsymmetrisch: Mikrofon-/Leitungseingang	Symmetrisch: „Cold“-Mikrofon-/Leitungseingang Unsymmetrisch: Nicht belegt	Masse
Audioausgang	Leitungsausgang, mono (mit Stereostecker kompatibel)	Leitungsausgang, mono (mit Stereostecker kompatibel)	Masse

Das interne Mikrofon wird standardmäßig verwendet. Das externe Mikrofon wird verwendet, wenn es angeschlossen ist. Das interne Mikrofon kann deaktiviert werden, indem ein Stecker in den Mikrofoneingang gesteckt wird.

Mehrfachanschlusskabel (separat erhältlich)

Das Mehrfachanschlusskabel zum Anschluss von Zubehör an das Axis Produkt erhalten Sie von Ihrem Axis Händler. Das Kabel weist folgende Anschlüsse auf:

Audioanschlüsse – Siehe *Anschlüsse auf Seite 51*.

E/A-Anschluss – Siehe *Anschlüsse auf Seite 51*.

Netzanschluss – Nicht verwendet.

Technische Daten

Die aktuelle Version der technischen Kenndaten finden Sie auf www.axis.com unter Product > Support & Documentation.

Betriebsbedingungen

Produkt	Klassifikation	Temperatur	Luftfeuchtigkeit
AXIS Q3505-SVE Mk II	IEC 60529 IP6K9K Zertifizierung NEMA 250 4X	-50°C bis +60°C	RF 10 bis 100 % (nicht kondensierend)

Leistungsaufnahme

HINWEIS

Das Gerät erfordert eine Stromquelle mit begrenzter Leistung, entweder mit einer Nennausgangsleistung von ≤ 100 W oder mit einem dauerhaft auf ≤ 5 A begrenzten Nennausgangsstrom.

Produkt	PoE
AXIS Q3505-SVE Mk II	Power over Ethernet (PoE) IEEE 802.3af/802.3at Typ 1, Klasse 3, max. 11,4 W

DE

Anschlüsse

Audioanschlüsse

3,5-mm-
Audioanschlüsse
(stereo)

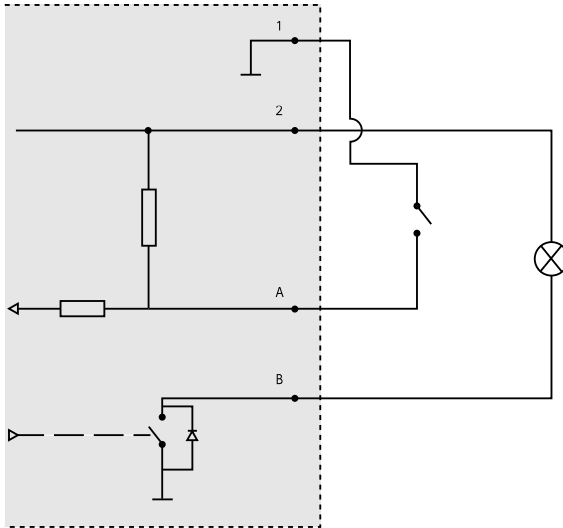


	1 Spitze	2 Ring	3 Schaft
Audioeingang	Symmetrisch: „Hot“-Mikrofon-/Leitungseingang Unsymmetrisch: Mikrofon-/Leitungseingang	Symmetrisch: „Cold“-Mikrofon-/Leitungseingang Unsymmetrisch: Nicht belegt	Masse
Audioausgang	Leitungsausgang, mono (mit Stereostecker kompatibel)	Leitungsausgang, mono (mit Stereostecker kompatibel)	Masse

Das interne Mikrofon wird standardmäßig verwendet. Das externe Mikrofon wird verwendet, wenn es angeschlossen ist. Das interne Mikrofon kann deaktiviert werden, indem ein Stecker in den Mikrofoneingang gesteckt wird.

Anschlusschaltbilder

E/A-Anschluss



- 1 0 V (-) DC
- 2 DC-Ausgang 12 V, max. 50 mA
- A E/A als Eingang konfiguriert
- B E/A als Ausgang konfiguriert

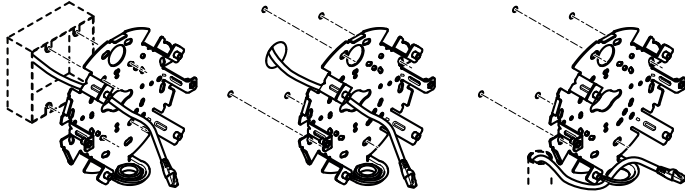
Die Hardware installieren

Montagehalterung

Die Montagehalterung besitzt acht Bohrungen entlang der Kante. Sie sind für die Wandmontage der Halterung vorgesehen.

Es sind Bohrungen für die Montage der Halterung an folgenden Anschlussdosen vorhanden:

- Standard-US-Doppelverteilerdose
- Standard-US-Anschlussdose
- Quadratische 4"-Anschlussdose
- Achteckige 4"-Anschlussdose



Je nachdem, ob Sie eine Anschlussdose verwenden oder die Kabel durch oder entlang der Wand führen möchten, folgen Sie den untenstehenden Anweisungen.

DE

Die Montage an eine Anschlussdose:

1. Die Klebedichtung an der Rückseite der Halterung anbringen.
2. Das Netzkabel (falls erforderlich auch das Mehrfachanschlusskabel) durch die Anschlussdose und durch die Bohrung in der Halterung führen.
3. Bringen Sie die Halterung mit geeigneten Schrauben aus Edelstahl an der Anschlussdose an.

Für die Verlegung der Kabel durch die Wand:

1. Mithilfe der Bohrschablone vier Löcher für die Halterung in die Wand und ein Loch für die Kabelführung durch die Wand bohren.
2. Die Klebedichtung an der Rückseite der Halterung anbringen.
3. Das Netzkabel (falls erforderlich auch das Mehrfachanschlusskabel) durch die Wand und durch die Bohrung in der Halterung führen.
4. Bringen Sie die Halterung mit geeigneten Schrauben aus Edelstahl an der Wand an.

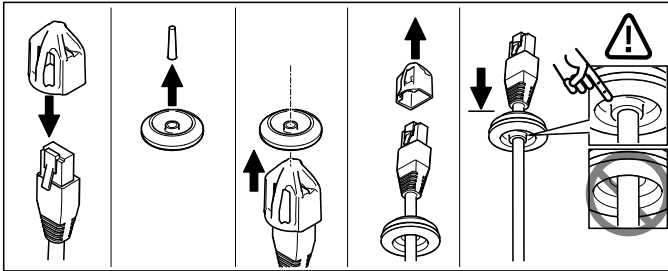
Verlegen der Kabel entlang der Wand und durch die seitliche Bohrung in der Halterung:

1. Die Klebedichtung an der Rückseite der Halterung anbringen.
2. Den Stopfen aus der seitlichen Bohrung der Halterung herausschrauben.
3. Führen Sie das Netzkabel (und ggf. das Mehrfachanschlusskabel) durch die Kabelführung und durch die Bohrung in der Halterung.
4. Bringen Sie die Halterung mit geeigneten Schrauben aus Edelstahl an der Wand an.
5. Bringen Sie die Kabelführung an der Halterung an.

Die Kabel anschließen und die Kamera an der Halterung befestigen

1. Die microSD-Karte in die Kameraeinheit einsetzen (optional).
2. Die Kabeldichtung des Netzkabels vom Kameragehäuse entfernen, siehe *Übersicht über die Hardware auf Seite 48*.
3. Die Lasche von der Dichtung abziehen und das Netzkabel mit dem mitgelieferten Verbindungsschutz durch die Kabeldichtung drücken. Das Netzkabel leicht zurückziehen, damit sich die Kabeldichtung an das Kabel anpassen kann.

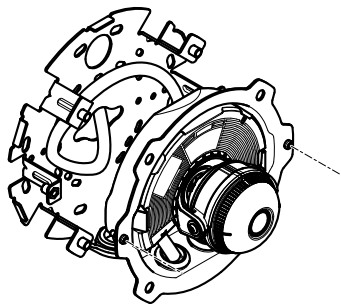
AXIS Q3505-SVE Mk II Network Camera



HINWEIS

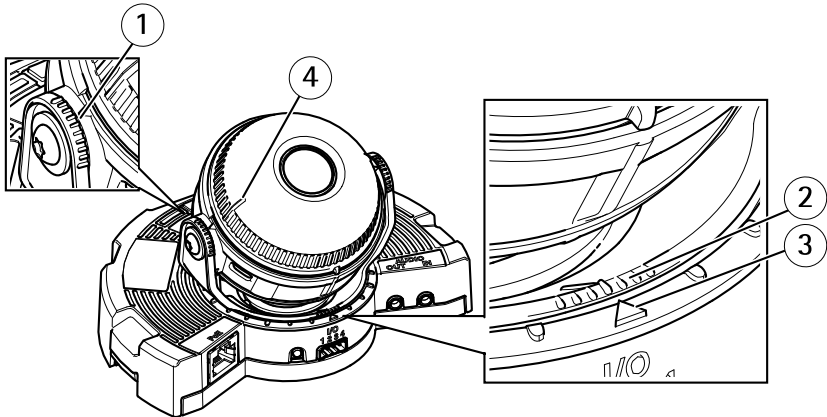
Wird das Kabel nicht zurückgezogen, kann Wasser eindringen und das Produkt beschädigen.

4. Entfernen Sie bei Verwendung eines Mehrfachanschlusskabels die andere Kabeldichtung vom Kameragehäuse.
5. Ziehen Sie die Kabel durch das Kameragehäuse und bringen Sie die Kabeldichtungen an diesem an.
6. Schließen Sie das Kabel an die Kameraeinheit an.
7. Ziehen Sie die Federn im Kameragehäuse zur Seite und setzen Sie die Kameraeinheit in dieses ein. Ziehen Sie die Kabel durch die Kabeldichtungen und kürzen Sie diese bei Bedarf.



8. Wickeln Sie das überstehende Kabel entlang der Wandhalterung auf und befestigen Sie das Kameragehäuse mit den beiden Schrauben an der Wandhalterung.
9. Überprüfen Sie, ob die Kabeldichtungen ordnungsgemäß am Kameragehäuse und den Kabeln montiert sind.

Einstellen des Kamerawinkels



DE

- 1 *Markierungslinien auf der Optikalterung, die eine Erhöhung des Neigungswinkels um 10° angeben*
- 2 *Feine Markierungslinien auf der Optikalterung, die eine Erhöhung des Schwenkwinkels um 3° angeben*
- 3 *Markierungslinien auf der Optikalterung, die eine Erhöhung des Schwenkwinkels um 15° angeben*
- 4 *Hilfslinien für die Ausrichtung der Kamera auf der Objektivabdeckung*

1. Stellen Sie die Kamera durch Schwenken, Neigen und Drehen auf den gesamten zu überwachenden Bereich ein. Die Kamera lässt sich um 360° schwenken und um bis zu 90° neigen.
2. Stellen Sie das Bild durch Schwenken und Drehen des Objektivs ein.
3. Mithilfe der beiden Linien auf der Objektivabdeckung prüfen, ob die Kamera nivelliert ist. Zum Aktivieren des Nivellier-Assistenten erneut die Funktionstaste betätigen. Siehe *Funktionstaste auf Seite 50*.

Anbringen der Kuppelabdeckung

1. Bringen Sie den Sichtschutz an der Kameraeinheit an.
2. Stellen Sie sicher, dass die Gummidichtung der Kuppelabdeckung sauber ist und richtig sitzt.
3. Die Kuppelabdeckung auf das Kameragehäuse setzen und die Schrauben mit dem mitgelieferten Schraub-Bit TR20 auf 1,5 Nm anziehen.
4. Die Schutzfolie von der Kuppelabdeckung entfernen.

Zugriff auf das Produkt

Für die Suche nach Axis Produkten im Netzwerk und zur Zuweisung einer IP-Adresse unter Windows® werden AXIS IP Utility und AXIS Camera Management empfohlen. Beide Anwendungen sind kostenlos und können von www.axis.com/support heruntergeladen werden.

Das Produkt ist mit den meisten Betriebssystemen und Browsern kompatibel. Empfohlen werden folgende Browser:

- Internet Explorer® unter Windows®
- Safari® unter OS X®
- Chrome™ oder Firefox® unter anderen Betriebssystemen

Weitere Informationen zur Nutzung dieses Produkts finden Sie im Benutzerhandbuch unter www.axis.com.

Einstellen von Fokus und Zoom

Diese Anweisungen gelten, wenn Sie beim Starten der Kamera **Optical zoom for installation (Optischer Zoom für die Installation)** ausgewählt haben.

1. **Setup > Video & Audio** aufrufen.
2. Auf der Seite Focus die Registerkarte **Basic (Grundeinstellungen)** öffnen.
3. Mithilfe des Schiebereglers die **Zoomstufe** einstellen.

Beachten

Während der automatischen Fokussierung darf die Kamera keine Bewegungen erfassen.

4. **Perform autofocus (Automatisch fokussieren)** anklicken.
5. Falls das Ergebnis nicht zufriedenstellend ist, die Registerkarte **Advanced (Erweitert)** aufrufen.

Auf der Registerkarte **Advanced (Erweitert)** kann der Fokus manuell eingestellt werden:

1. Klicken Sie auf **Open iris (Blende öffnen)**, um die Blende in der Maximalstellung zu öffnen. Dadurch wird die geringste Schärfentiefe erreicht, wodurch für die Fokussierung die optimalen Bedingungen gegeben sind.
2. Der Fokus wird im Fenster **Focus (Fokus)** eingestellt. Mithilfe der Maus können Sie das Fokusfenster verschieben und dessen Größe verändern.
3. In der Leiste **Focus position (Fokusposition)** den gewünschten Fokus auswählen.
4. Bei zufriedenstellendem Ergebnis **Enable iris (Blende aktivieren)** anklicken.

Einstellen der Grenzwerte für Fokus und Zoom

Diese Anweisungen gelten, wenn Sie beim Starten der Kamera **Optical zoom for monitoring (Optischer Zoom für die Überwachung)** ausgewählt haben.

Einstellen von Fokus und Zoom für eine neue voreingestellte Position:

1. Wählen Sie **PTZ > Preset Positions (Voreingestellte Positionen)** aus und vergrößern Sie den bevorzugten Bereich des Kamerabilds.
2. Geben Sie in das Feld **Current position (Aktuelle Position)** den Namen für Ihre voreingestellte Position ein und wählen Sie die Option **Use current position as Home (Aktuelle Position als Ausgangsposition verwenden)** aus.
3. Klicken Sie auf **Add (Hinzufügen)**, um Ihre aktuelle Position als voreingestellte Position hinzuzufügen.
4. Wählen Sie Ihre voreingestellte Position in der Dropdown-Liste **Available positions (Verfügbare Positionen)** aus.
5. Klicken Sie auf **Go to (Gehe zu)**, um die Kamera in Ihrer voreingestellten Position einzurichten.
6. Klicken Sie auf **Save (Speichern)**.

Einstellen der Grenzen für Fokus und Zoom:

1. **Video & Audio > Fokus & Zoom** aufrufen.
2. Aus dem Aufklappmenü einen Wert für **Zoom Limit (Zoomgrenze)** auswählen, um den maximalen Zoombereich der Kamera einzuschränken.
Die Digitalzoomstufe ist mit dem Buchstaben **D** gekennzeichnet.
3. Für eine Vorschau der Zoomgrenze **Go to this position (Gehe zu dieser Position)** anklicken.
4. Aus dem Aufklappmenü einen Wert für **Focus near limit (Nahbereichsfokuslimit)** auswählen, um zu verhindern, dass die Kamera Objekte in zu geringer Entfernung fokussiert.
5. **Save (Speichern)** anklicken.

Beachten

Sie können Fokus und Zoom weiterhin über **Video und Audio > Fokus und Zoom** festlegen, jedoch werden diese Einstellungen nach einem Kameraneustart nicht übernommen.

Zurücksetzen auf Werkseinstellungen

Wichtig

Das Zurücksetzen auf die Werkseinstellungen sollte mit Vorsicht verwendet werden. Beim Zurücksetzen auf die Werkseinstellungen werden alle Einstellungen einschließlich der IP-Adresse auf die Werkseinstellungen zurückgesetzt.

Beachten

Die Software-Tools für Installation und Verwaltung sind über die Supportseiten unter www.axis.com/techsup verfügbar.

So wird das Produkt auf die werksseitigen Standardeinstellungen zurückgesetzt:

1. Trennen Sie das Produkt von der Stromversorgung.

2. Halten Sie die Steuertaste gedrückt und stecken Sie den Netzstecker wieder ein. Siehe *Übersicht über die Hardware auf Seite 48*.
3. Halten Sie die Steuertaste etwa 15 bis 30 Sekunden gedrückt, bis die LED-Statusanzeige gelb blinkt.
4. Lassen Sie die Steuertaste los. Der Vorgang ist abgeschlossen, wenn die LED-Statusanzeige grün leuchtet. Das Produkt wurde auf die Werkseinstellungen zurückgesetzt. Wenn kein DHCP-Server im Netzwerk verfügbar ist, lautet die Standard-IP-Adresse 192.168.0.90.
5. Verwenden Sie die Software-Tools für Installation und Verwaltung, um eine IP-Adresse zuzuweisen, ein Kennwort einzurichten und auf den Videostream zuzugreifen.

Die Parameter können auch über die Weboberfläche auf die Werkseinstellungen zurückgesetzt werden. Rufen Sie **Setup > System Options > Maintenance (Setup > Systemoptionen > Wartung)** auf und klicken Sie auf **Default (Standard)**.

Weitere Informationen

- Unter www.axis.com finden Sie die aktuelle Version dieses Dokuments.
- Das Benutzerhandbuch steht unter www.axis.com zur Verfügung.
- Unter www.axis.com/support finden Sie Firmware-Aktualisierungen für Ihre Produkte.
- Nützliche Onlineschulungen und Webinare finden Sie unter www.axis.com/academy.

Gewährleistungsinformationen

Informationen zur Gewährleistung der Axis Produkte und andere, hierzu relevante Informationen finden Sie unter www.axis.com/warranty/

Informazioni di sicurezza

Livelli di pericolo

▲PERICOLO

Indica una situazione pericolosa che, se non evitata, provoca morte o lesioni gravi.

▲AVVERTENZA

Indica una situazione pericolosa che, se non evitata, potrebbe provocare la morte o lesioni gravi.

▲ATTENZIONE

Indica una situazione pericolosa che, se non evitata, potrebbe provocare lesioni medie o minori.

AWISO

Indica una situazione che, se non evitata, potrebbe danneggiare la proprietà.

IT

Altri livelli di messaggio

Importante

Indica informazioni importanti, essenziali per il corretto funzionamento del dispositivo.

Nota

Indica informazioni utili che aiutano a ottenere il massimo dal dispositivo.

Informazioni di sicurezza

▲ATTENZIONE

Fare attenzione ai bordi metallici taglienti. Utilizzare guanti resistenti ai tagli durante l'installazione

AWISO

- Il dispositivo Axis deve essere utilizzato in conformità alle leggi e alle disposizioni locali.
- Conservare il dispositivo Axis in un ambiente asciutto e ventilato.
- Non installare il dispositivo su supporti, superfici, pareti o pali instabili.
- Utilizzare solo strumenti applicabili quando si installa il dispositivo Axis. Se si utilizza una forza eccessiva con strumenti non adatti è possibile causare danni al dispositivo.
- Utilizzare solo accessori compatibili con le specifiche tecniche del dispositivo. Questi possono essere forniti da Axis o da terze parti. Axis consiglia l'uso dell'apparecchiatura di alimentazione Axis compatibile con il dispositivo.
- Utilizzare solo parti di ricambio fornite o consigliate da Axis.
- Non tentare di riparare il dispositivo da soli. Contattare l'assistenza o il rivenditore Axis per questioni relative alla manutenzione.

Trasporto

AWISO

- Durante il trasporto del dispositivo Axis, utilizzare l'imballaggio originale o equivalente per evitare danni al dispositivo.

Batteria

Il dispositivo Axis utilizza una batteria al litio da 3,0 V CR2032 come alimentazione per il suo real-time clock (RTC) interno. In condizioni normali questa batteria avrà una durata minima di cinque anni.

Una bassa carica della batteria influisce sul funzionamento del RTC, facendolo resettare a ogni accensione. Quando la batteria deve essere sostituita, un messaggio di registro viene visualizzato nel report server del dispositivo. Per ulteriori informazioni sul report server, vedere le pagine di configurazione del dispositivo o contattare l'assistenza Axis.

La batteria non deve essere sostituita se non richiesto, ma nel caso in cui questo fosse necessario, contattare il supporto Axis all'indirizzo www.axis.com/support per assistenza.

Batteria a bottone al litio 3,0 V contengono 1,2-dimetossietano; etere dimetilico di glicole etilenico (EGDME), CAS n. 110-71-4.

▲AVVERTENZA

- Rischio di esplosione se la batteria viene sostituita in modo errato.

- Sostituire solo con una batteria identica o una batteria consigliata da Axis.
- Smaltire le batterie usate in base alle normative locali o alle istruzioni del produttore della batteria.

Cupola di protezione

AVVISO

- Fare attenzione a non graffiare, danneggiare o lasciare impronte sulla cupola di protezione, perché potrebbe diminuire la qualità dell'immagine. Se possibile, tenere la protezione in plastica sulla cupola di protezione fino a quando l'installazione non sarà completata.
- Non pulire la cupola di protezione che allo sguardo sembra pulita e non lucidare la superficie. Una pulizia eccessiva potrebbe danneggiare la superficie.
- Per la pulizia generale della cupola di protezione, si consiglia di utilizzare un sapone neutro o detergente non abrasivo con acqua pura e un panno morbido e pulito. Sciacquare bene con acqua pura tiepida. Asciugare con un panno morbido e pulito per evitare macchie d'acqua.
- Non usare mai detersivi aggressivi o alcool (isopropilico, butilico, propilico) ed evitare di pulire la cupola di protezione alla luce diretta del sole o a temperature elevate.

Guida all'installazione

La presente Guida all'installazione fornisce le istruzioni necessarie per installare la telecamera AXIS Q3505-SVE Mk II sulla rete. Per ulteriori informazioni sull'utilizzo del dispositivo, consultare il Manuale per l'utente disponibile all'indirizzo www.axis.com.

Contenuto della confezione

Per accessori opzionali, visitare axis.com

- Telecamera di rete AXIS Q3505-SVE Mk II
- Punta da cacciavite TR20
- Connettore I/O
- Protezione del connettore
- Guarnizione adesiva
- Guarnizioni per cavi aggiuntive
 - Guarnizione per cavi M20
 - Guarnizione per cavi M20 3 mm
- Documentazione
 - Guida all'installazione (questo documento)
 - Sagoma per la foratura
 - Etichetta aggiuntiva con numero di serie (2x)
 - Chiave di autenticazione AVHS

Strumenti consigliati

AWISO

L'acciaio inossidabile è resistente alla corrosione, ma è possibile che appaia la ruggine estranea se il materiale non viene maneggiato correttamente. Utilizzare strumenti in acciaio inossidabile per evitare macchie di ruggine o la corrosione per pitting.

- Chiave per Resitorx TR20

Accessori opzionali

- Kit per montaggio a sospensione AXIS T94U01D
- Kit per montaggio a sospensione AXIS T94U02D
- Supporto per il montaggio su palo AXIS T91F67
- Supporto per il montaggio a parete AXIS T91F61
- Interruttore anti-intrusione a cupola AXIS B

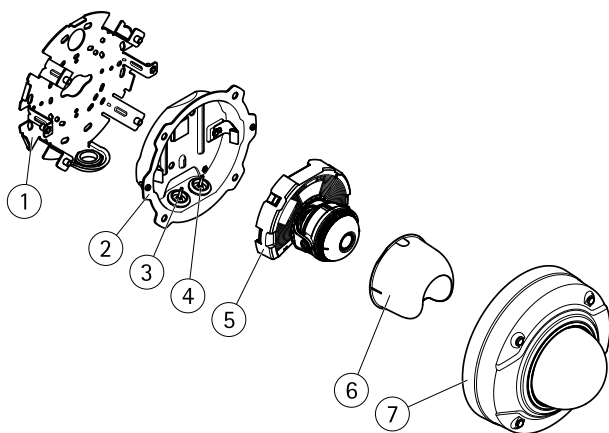
AXIS Q3505-SVE Mk II Network Camera

- Cupola oscurata AXIS Q3505-SVE Mk II
- Cavo multiplo per la connessione di I/O e audio

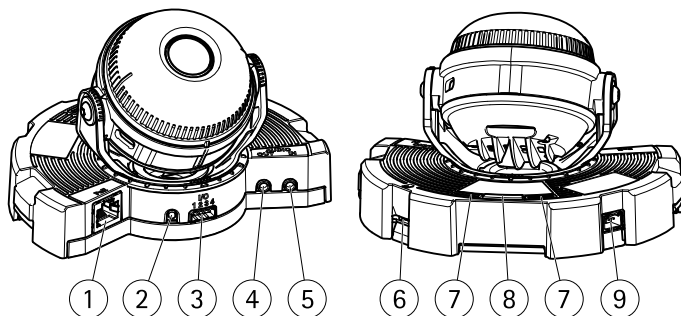
Per informazioni sugli accessori disponibili, visitare il sito Web www.axis.com

Panoramica dell'hardware

Per le specifiche dei componenti hardware, vedere *Specifiche tecniche alla pagina 70*.



- 1 Staffa di montaggio
- 2 Casing dell'unità
- 3 Guarnizione cavo, cavo di rete
- 4 Guarnizione cavo, Multicable
- 5 Unità telecamera
- 6 Protezione visualizzazione
- 7 Coperchio della cupola



- 1 Connettore di rete
- 2 Pulsante di comando
- 3 Connettore I/O
- 4 Connettore ingresso audio
- 5 Connettore uscita audio
- 6 Slot per scheda SD
- 7 LED di stato
- 8 Tasto Funzione
- 9 Non utilizzato

IT

Indicatori LED

Nota

- Il LED di stato può essere configurato per lampeggiare quando un evento è attivo.
- Il LED di stato può essere configurato per lampeggiare per identificare l'unità. Andare su **Setup > System Options > Maintenance** (Configurazione > Opzioni di sistema > Manutenzione).

LED di stato	Indicazione
Spento	Connessione e funzionamento normale.
Verde	Una luce verde fissa per 10 secondi indica il normale funzionamento una volta completato l'avvio.
Giallo	Luce fissa durante l'avvio. Lampeggia durante l'aggiornamento del firmware o il ripristino delle impostazioni predefinite.
Giallo/rosso	Lampeggia in giallo/rosso se il collegamento di rete non è disponibile o è stato perso.

Comportamento del LED di stato e del segnale acustico per l'Assistente di livellamento

Per informazioni sul tasto Funzione utilizzato per il livellamento dell'immagine, vedere *pagina 68*.

AXIS Q3505-SVE Mk II Network Camera

Colore	Segnale acustico	Posizione telecamera
Verde fisso	Segnale acustico continuo	Orizzontale
Luce lampeggiante verde	Segnali acustici rapidi	Quasi orizzontale
Luce lampeggiante arancione	Segnali acustici medi	Non orizzontale
Luce lampeggiante rossa	Segnali acustici lenti	Assolutamente non orizzontale

Slot per scheda SD

AVVISO

- Rischio di danneggiamento della scheda di memoria. Non utilizzare strumenti appuntiti oppure oggetti metallici e non esercitare eccessiva forza durante l'inserimento o la rimozione della scheda di memoria. Utilizzare le dita per inserire e rimuovere la scheda.
- Rischio di perdita di dati e danneggiamento delle registrazioni. Non rimuovere la scheda di memoria mentre il dispositivo è in funzione. Scollegare l'alimentazione oppure smontare la scheda di memoria dalle pagine Web del dispositivo prima di rimuoverla.

Questo dispositivo supporta schede microSD/microSDHC/microSDXC (scheda di memoria non inclusa).

Per i consigli sulla scheda SD, visitare il sito Web www.axis.com.

Pulsanti

Pulsante di comando

Per l'ubicazione del pulsante di comando, vedere *Panoramica dell'hardware alla pagina 66*.

Il pulsante di comando viene utilizzato per:

- Ripristino del dispositivo alle impostazioni predefinite di fabbrica. Consultare *pagina 77*.
- Collegamento a un servizio AXIS Video Hosting System o AXIS Internet Dynamic DNS Service. Per ulteriori informazioni su questi servizi, consultare il Manuale Utente.

Tasto Funzione

Il tasto Funzione può essere utilizzato per più finalità:

- **Assistente di livellamento** – Questa funzione consente di garantire che l'immagine sia in posizione orizzontale. Premere il pulsante per circa 2 secondi per avviare l'Assistente di livellamento, premerlo nuovamente per interrompere la funzione. Il LED di stato

(consultare *pagina 67*) e il segnale acustico sono di ausilio nel livellamento dell'immagine. L'immagine è in posizione orizzontale quando il segnale acustico è continuo.

- **Per visualizzare il LED di stato** – Premere il pulsante una volta per accendere il LED di stato. Premerlo di nuovo per spegnerli. I LED si spegneranno in modo automatico dopo 10 secondi.

Connettori

Connettore di rete

Connettore Ethernet RJ45 con Power over Ethernet (PoE+).

AWISO

Il dispositivo deve essere collegato tramite un cavo di rete schermato (STP). Tutti i cavi che collegano il dispositivo alla rete sono destinati al loro uso specifico. Accertarsi che i dispositivi di rete siano installati secondo le istruzioni del produttore. Per maggiori informazioni sui requisiti normativi, consultare *Electromagnetic Compatibility (EMC) 4*.

IT

Connettore I/O

Utilizzare con dispositivi esterni in combinazione con, ad esempio, allarmi antimanomissione, rilevamento movimento, attivazione di eventi e notifiche di allarme. Oltre al punto di riferimento 0 V CC e all'alimentazione (uscita CC), il connettore I/O fornisce l'interfaccia per:

- **Uscita digitale** – Per collegare dispositivi esterni come relè o LED. Le periferiche collegate possono essere attivate tramite VAPIX® API (interfaccia per la programmazione di applicazioni), tramite i pulsanti di comando della pagina Live View (Immagini dal vivo) oppure tramite l'opzione Action Rule (regola di azione). L'uscita verrà visualizzata come attiva (visualizzata in **System Options > Ports & Devices (Opzioni di Sistema > Porte e Dispositivi)**) se il dispositivo di allarme è attivato.
- **Ingresso digitale** – Ingresso allarme utilizzabile per collegare le periferiche, che può passare dal circuito chiuso al circuito aperto, ad esempio: Sensori di movimento (PIR), contatti porta/finestra, rilevatori di rottura vetri e così via. Dopo la ricezione del segnale lo stato cambia e l'ingresso diventa attivo (visualizzato in **System Options > Ports & Devices (Opzioni di Sistema > Porte e Dispositivi)**).

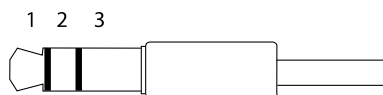
Connettore audio

Il dispositivo Axis dispone dei seguenti connettori audio:

- **Ingresso audio (rosa)** - Ingresso audio da 3,5 mm per microfono in mono o segnale mono line-in.
- **Uscita audio (verde)** - Uscita audio da 3,5 mm (livello di linea) che può essere connessa a un sistema di indirizzo pubblico (PA) o a un altoparlante con amplificatore integrato. Per l'uscita audio è necessario usare un connettore stereo.

AXIS Q3505-SVE Mk II Network Camera

Connettori audio da
3,5 mm (stereo)



	1 Punta	2 Anello	3 Guaina
Ingresso audio	Bilanciato: Ingresso microfono segnale "Hot"/linea Non bilanciato: Ingresso microfono/linea	Bilanciato: Ingresso microfono segnale "Cold"/linea Non bilanciato: Inutilizzato	Terra
Uscita audio	Uscita linea, mono (compatibile con connettore stereo)	Uscita linea, mono (compatibile con connettore stereo)	Terra

Il microfono interno viene utilizzato per impostazione predefinita; il microfono esterno viene utilizzato quando è connesso. È possibile disabilitare il microfono interno collegando un plug all'ingresso del microfono.

Multicable (venduto separatamente)

È possibile acquistare il Multicable presso il proprio rivenditore Axis per collegare un apparecchio esterno al prodotto Axis. Il cavo fornisce i connettori seguenti:

Connettore audio – Consultare *Connettori alla pagina 69*

Connettore I/O – Consultare *Connettori alla pagina 69*

Connettore di alimentazione – Non utilizzato.

Specifiche tecniche

Per la versione più aggiornata della scheda tecnica, visitare il sito www.axis.com > prodotto > Supporto e documentazione.

Condizioni di funzionamento

Dispositivo	Classificazione	Temperatura	Umidità
AXIS Q3505-SVE Mk II	IEC 60529 IP6K9K Classe NEMA 250 4X	Da - 50°C a 60°C (da - 58°F a 140°F)	10-100% umidità relativa (senza condensa)

Consumo energetico

AVVISO

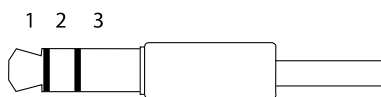
Utilizzare una sorgente di alimentazione limitata (LPS) sia con una potenza di uscita nominale limitata a ≤ 100 W o una corrente nominale di uscita limitata a ≤ 5 A.

Dispositivo	PoE
AXIS Q3505-SVE Mk II	Power over Ethernet (PoE) IEEE 802.3af/802.3at Tipo 1 Classe 3, max 11,4 W

Connettori

Connettore audio

Connettori audio da 3,5 mm (stereo)

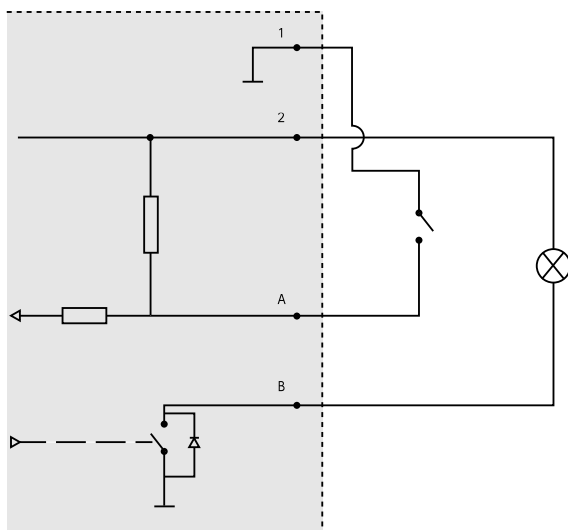


	1 Punta	2 Anello	3 Guaina
Ingresso audio	Bilanciato: Ingresso microfono segnale "Hot"/linea Non bilanciato: Ingresso microfono/linea	Bilanciato: Ingresso microfono segnale "Cold"/linea Non bilanciato: Inutilizzato	Terra
Uscita audio	Uscita linea, mono (compatibile con connettore stereo)	Uscita linea, mono (compatibile con connettore stereo)	Terra

Il microfono interno viene utilizzato per impostazione predefinita; il microfono esterno viene utilizzato quando è connesso. È possibile disabilitare il microfono interno collegando un plug all'ingresso del microfono.

Schema delle connessioni

Connettore I/O



- 1 0 V CC (-)
- 2 Uscita CC 12 V, max 50 mA
- A I/O configurato come ingresso
- B I/O configurato come uscita

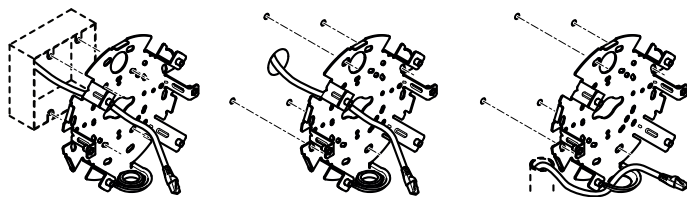
Installazione dell'hardware

Staffa di montaggio

La staffa di montaggio è dotata di otto fori lungo il bordo che devono essere utilizzati per il fissaggio della staffa alla parete.

Per montare la staffa su una scatola di derivazione, sono disponibili i fori anche per queste opzioni di montaggio:

- Scatola di giunzione per unità doppia, a dimensioni standard USA
- Scatola di giunzione per unità singola, a dimensioni standard USA
- scatola quadrata da 4"
- scatola ottagonale da 4"



Attenersi alle procedure descritte di seguito, a seconda se si desidera utilizzare una scatola di derivazione o installare i cavi attraverso o lungo la parete.

Per montare la telecamera su una scatola di derivazione:

1. Fissare la guarnizione adesiva alla parte posteriore della staffa di montaggio.
2. Inserire nella scatola di derivazione il cavo di rete (e, se necessario, il multicavo) facendolo passare attraverso il foro sulla staffa di montaggio.
3. Fissare la staffa di montaggio alla scatola di derivazione con le viti in acciaio inossidabile appropriate.

Per installare i cavi attraverso la parete:

1. Utilizzando la sagoma per la foratura, praticare 4 fori per montare la staffa e un foro per installare i cavi nella parete.
2. Fissare la guarnizione adesiva alla parte posteriore della staffa di montaggio.
3. Inserire nella parete il cavo di rete (e, se necessario, il multicavo) facendolo passare attraverso il foro sulla staffa di montaggio.
4. Fissare la staffa di montaggio alla parete utilizzando le viti in acciaio inossidabile appropriate.

Per installare i cavi lungo la parete e nei fori laterali sulla staffa di montaggio:

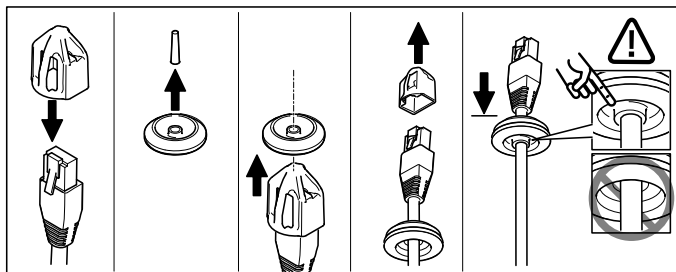
1. Fissare la guarnizione adesiva alla parte posteriore della staffa di montaggio.
2. Svitare il connettore dal foro laterale nella staffa di montaggio.
3. Inserire nel tubo protettivo il cavo di rete (e, se necessario, il Multicable) facendolo passare attraverso il foro sulla staffa di montaggio.
4. Fissare la staffa di montaggio alla parete utilizzando le viti in acciaio inossidabile appropriate.
5. Fissare il tubo protettivo alla staffa di montaggio.

Collegamento dei cavi e fissaggio della telecamera alla staffa di montaggio

1. Inserire la scheda microSD nell'unità telecamera (opzionale).
2. Rimuovere la guarnizione del cavo di rete dal casing dell'unità, vedere *Panoramica dell'hardware* alla pagina 66.

AXIS Q3505-SVE Mk II Network Camera

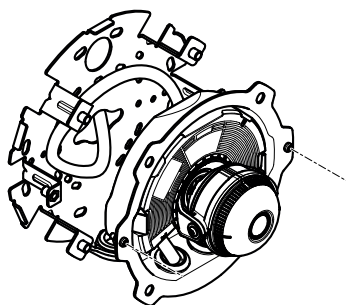
3. Tirare la linguetta della guarnizione per rimuoverla, spingere il cavo di rete attraverso la guarnizione utilizzando la protezione del connettore fornita. Tirare delicatamente il cavo di rete in modo da adattare la guarnizione al cavo.



AVVISO

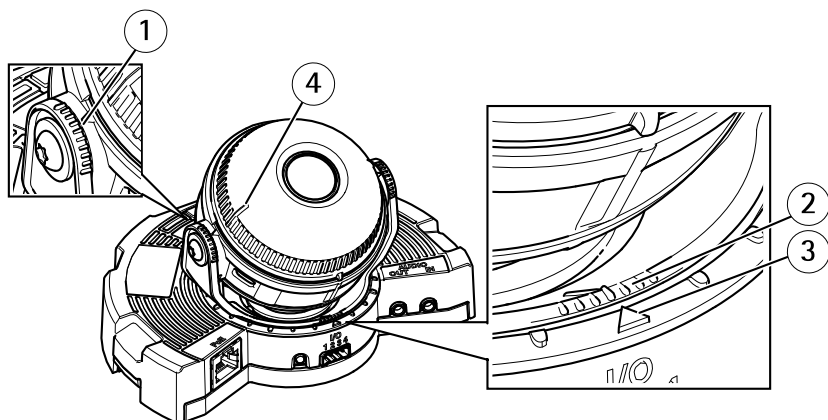
Se il cavo non viene tirato potrebbero verificarsi infiltrazioni d'acqua e danni al dispositivo.

4. Se si utilizza un Multicable, rimuovere l'altra guarnizione del cavo dal casing dell'unità ed eliminarla.
5. Tirare i cavi attraverso il casing dell'unità e fissare le guarnizioni dei cavi al casing dell'unità.
6. Collegare i cavi all'unità telecamera.
7. Allontanare le molle del casing dell'unità e fissare l'unità telecamera al casing dell'unità, tirando i cavi attraverso le guarnizioni per ridurne la lunghezza secondo le necessità.



8. Avvolgere la lentezza del cavo lungo la staffa di montaggio e fissare il casing dell'unità alla staffa di montaggio con due viti.
9. Verificare che le guarnizioni dei cavi siano montate correttamente sul casing dell'unità e sui cavi.

Regolazione dell'angolazione della telecamera



- 1 *Linee sul supporto dell'ottica che indicano un incremento dell'angolo di inclinazione di 10°*
- 2 *Linee piccole sul montaggio dell'ottica che indicano un incremento della rotazione di 3°*
- 3 *Linee sul montaggio dell'ottica che indicano un incremento della rotazione di 15°*
- 4 *Linee sul coperchio dell'obiettivo che consentono di garantire che la telecamera sia in posizione orizzontale.*

1. Copertura dell'area sotto sorveglianza grazie alle funzioni di panoramica, inclinazione e rotazione della telecamera. È possibile ruotare a 360° e inclinare a un angolo di 90°.
2. Regolare l'immagine ruotando l'obiettivo.
3. Per accertarsi che la telecamera sia in posizione orizzontale, utilizzare le due linee sul coperchio dell'obiettivo. Per attivare l'Assistente di livellamento, premere il tasto Funzione. Consultare *Tasto Funzione alla pagina 68*.

Fissaggio della copertura a cupola

1. Collegare la protezione visualizzazione all'unità telecamera.
2. Assicurarsi che la guarnizione della copertura a cupola sia pulita e ben salda.
3. Collegare la copertura a cupola al casing dell'unità e serrare le viti a 2 Nm (1,5 lb ft) utilizzando la punta da cacciavite TR20 fornita.
4. Rimuovere la pellicola protettiva dalla copertura a cupola.

Come accedere al dispositivo

AXIS IP Utility e AXIS Camera Management sono i metodi consigliati per trovare i dispositivi Axis in rete e assegnare loro un indirizzo IP in Windows®. Queste applicazioni sono entrambe gratuite e possono essere scaricate da www.axis.com/support

Il dispositivo può essere utilizzato con la maggior parte dei sistemi operativi e dei browser. I browser consigliati sono i seguenti:

- Internet Explorer® con Windows®
- Safari® con OS X®
- Chrome™ o Firefox® con altri sistemi operativi.

Per ulteriori informazioni sull'utilizzo del dispositivo, consultare la guida per l'utente disponibile sul sito Web www.axis.com

Impostare zoom e messa a fuoco

Le istruzioni sono valide se è stata attivata Installazione con zoom ottico durante l'installazione della telecamera.

1. Andare a **Setup > Video Et Audio (Configurazione > Video e audio)**.
2. Nella pagina della messa a fuoco, andare alla scheda **Basic (Base)**.
3. Impostare il livello di zoom utilizzando il cursore.

Nota

Evitare i movimenti davanti alla telecamera durante l'esecuzione della messa a fuoco automatica.

4. Fare clic su **Perform autofocus (Esegui messa a fuoco automatica)**.
5. Se il risultato non è soddisfacente, andare alla scheda **Advanced (Avanzate)**.

Nella scheda **Advanced (Avanzate)** la messa a fuoco può essere regolata manualmente:

1. Fare clic su **Open iris (Apri diaframma)** per aprire il diaframma fino alla sua posizione massima. In questo modo, viene utilizzata la minima profondità di campo, offrendo le condizioni migliori per una corretta messa a fuoco.
2. La messa a fuoco viene impostata nella finestra **Focus (Messa a fuoco)**. Utilizzare il mouse per spostare e ridimensionare la finestra di messa a fuoco.
3. Per mettere a fuoco su un'ubicazione desiderata, fare clic nella barra **Focus position (Posizione di messa a fuoco)**.
4. Al termine, fare clic su **Enable iris (Abilita diaframma)** per abilitare il diaframma.

Impostazione dei limiti della messa a fuoco e dello zoom

Le istruzioni sono valide se è stato selezionato **Optical zoom for monitoring (Monitoraggio con zoom ottico)** durante l'installazione della telecamera.

Per impostare la messa a fuoco e lo zoom per una nuova posizione preimpostata:

1. Andare a **PTZ > Preset Positions (Posizioni preimpostate)** e impostare la messa a fuoco e lo zoom per un'area preferita nell'immagine della telecamera.
2. Immettere un nome per la posizione preimpostata nel campo **Current position (Posizione corrente)** e selezionare **Use current position as Home (Utilizza posizione attuale come posizione iniziale)**.
3. Fare clic su **Add (Aggiungi)** per aggiungere la posizione attuale come posizione preimpostata.
4. Selezionare la posizione preimpostata nell'elenco a discesa **Available positions (Posizioni disponibili)**.
5. Fare clic su **Go to (Vai a)** per impostare la telecamera nella posizione preimpostata.
6. Fare clic su **Save (Salva)**.

Per impostare i limiti per la messa a fuoco e lo zoom:

1. Andare a **Video & Audio (Video e audio) > Focus & Zoom (Messa a fuoco e zoom)**.
2. Selezionare un valore nell'elenco a discesa per **Zoom limit (Limite zoom)** per limitare l'area di zoom massimo della telecamera.
Il livello di zoom digitale viene indicato con la lettera D.
3. Per visualizzare un'anteprima del limite di zoom, fare clic su **Go to (Vai a)** questa posizione.
4. Selezionare un valore nell'elenco a discesa per **Focus near limit (Limite di messa a fuoco vicina)** per evitare la messa a fuoco su oggetti troppo vicini.
5. Fare clic su **Save (Salva)**.

Nota

È anche possibile impostare la messa a fuoco e lo zoom in **Video & Audio (Video e audio) > Focus & Zoom (Messa a fuoco e zoom)**, ma le impostazioni non vengono salvate dopo il riavvio della telecamera.

Ripristino dei valori predefiniti di fabbrica

Importante

Il ripristino delle impostazioni di fabbrica deve essere usato con cautela. Un ripristino delle impostazioni di fabbrica consentirà di ripristinare le impostazioni di fabbrica per tutti i parametri, incluso l'indirizzo IP.

Nota

Gli strumenti per l'installazione e la gestione del software sono disponibili nelle pagine dedicate all'assistenza sul sito Web www.axis.com/techsup.

AXIS Q3505-SVE Mk II Network Camera

Per ripristinare il dispositivo alle impostazioni predefinite di fabbrica:

1. Scollegare l'alimentazione dal dispositivo.
2. Tenere premuto il pulsante di controllo e ricollegare l'alimentazione. Consultare *Panoramica dell'hardware alla pagina 66*.
3. Tenere premuto il pulsante di controllo per 15-30 secondi fino a quando l'indicatore LED di stato lampeggerà in giallo.
4. Rilasciare il pulsante di comando. Il processo è completo quando il LED di stato diventerà verde. Il dispositivo è stato reimpostato alle impostazioni di fabbrica predefinite. Se nessun server DHCP è disponibile in rete, l'indirizzo IP predefinito è 192.168.0.90.
5. Mediante gli strumenti per l'installazione e la gestione del software, assegnare un indirizzo IP, impostare la password e accedere al flusso video.

È anche possibile reimpostare i parametri alle impostazioni predefinite di fabbrica mediante l'interfaccia Web. Andare a **Setup > System Options > Maintenance (Configurazione > Opzioni di sistema > Manutenzione)** e fare clic su **Default (Predefinito)**.

Ulteriori Informazioni

- Per la versione più recente di questo documento, visitare il sito all'indirizzo www.axis.com
- Il manuale per l'utente è disponibile all'indirizzo www.axis.com
- Per verificare se sono stati pubblicati aggiornamenti del firmware per il proprio dispositivo, vedere www.axis.com/support
- Per servizi di formazione utili e webinar, visita il sito www.axis.com/academy

Informazioni sulla garanzia

Per informazioni sulla garanzia del dispositivo Axis e informazioni ad esso relative, consultare la pagina www.axis.com/warranty/

Información de seguridad

Niveles de peligro

▲PELIGRO

Indica una situación peligrosa que, si no se evita, provocará lesiones graves o la muerte.

▲ADVERTENCIA

Indica una situación peligrosa que, si no se evita, puede provocar lesiones graves o la muerte.

▲ATENCIÓN

Indica una situación peligrosa que, si no se evita, puede provocar lesiones moderadas o leves.

AVISO

Indica una situación peligrosa que, si no se evita, puede provocar daños materiales.

Otros niveles de mensaje

Importante

Indica información importante que es fundamental para que el producto funcione correctamente.

Nota

Indica información útil que ayuda a aprovechar el producto al máximo.

Instrucciones de seguridad

▲ATENCIÓN

Tenga cuidado con los bordes metálicos afilados. Utilice guantes resistentes a los cortes durante la instalación.

AVISO

- El producto de Axis debe utilizarse de acuerdo con las leyes y normativas locales.
- Almacene el producto de Axis en un entorno seco y ventilado.
- No instale el producto en postes, soportes, superficies o paredes inestables.
- Utilice solo las herramientas correspondientes cuando instale el producto de Axis. La aplicación de una fuerza excesiva con herramientas eléctricas puede provocar daños en el producto.
- Utilice solo accesorios que cumplan con las especificaciones técnicas de su producto. Estos accesorios los puede proporcionar Axis o un tercero. Axis recomienda utilizar un equipo de suministro de alimentación de Axis compatible con su producto.
- Utilice solo piezas de repuesto proporcionadas o recomendadas por Axis.
- No intente reparar el producto usted mismo. Póngase en contacto con el servicio de asistencia técnica de Axis o con su distribuidor de Axis para tratar asuntos de reparación.

Transporte

AVISO

- Cuando transporte el producto de Axis, utilice el embalaje original o un equivalente para evitar daños en el producto.

Batería

Este producto de Axis utiliza una batería de litio CR2032 de 3,0 V como fuente de alimentación del reloj interno en tiempo real. En condiciones normales, esta batería durará un mínimo de cinco años.

Un nivel bajo de batería afectará al funcionamiento del reloj en tiempo real, lo que provocará el restablecimiento de este cada vez que se encienda el producto. Cuando sea necesario sustituir la batería, aparecerá un mensaje de registro en el informe del servidor del producto. Para obtener más información sobre el informe del servidor, consulte las páginas de configuración del producto o póngase en contacto con el servicio de asistencia técnica de Axis.

La batería no debe sustituirse a menos que sea necesario; no obstante, si precisa hacerlo, póngase en contacto con el servicio de asistencia técnica de Axis en www.axis.com/support para solicitar ayuda.

Las pilas de botón de litio de 3,0 V contienen 1,2-dimetoxietano; éter dimetilico de etilenglicol (EGDME), n.º CAS 110-71-4.

▲ADVERTENCIA

- La sustitución incorrecta de la batería implica riesgo de explosión.
- Sustituya la batería por una batería idéntica u otra batería recomendada por Axis.
- Deseche las baterías usadas de conformidad con la normativa local o las instrucciones del fabricante.

Cubierta del domo

AVISO

- Preste atención a no arañar, dañar o dejar las huellas en la cubierta del domo, puesto que esto puede provocar una disminución de la calidad de imagen. Si es posible, mantenga el plástico de protección en la cubierta del domo hasta que se complete la instalación.
- No limpie la cubierta del domo si parece a simple vista que está limpia y nunca pule la superficie. Una limpieza excesiva podría dañar la superficie.
- Para realizar un procedimiento de limpieza general de la cubierta del domo se recomienda usar detergente o jabón neutros, sin disolventes y no abrasivos mezclados con agua pura, y un trapo suave y limpio. Enjuague bien con agua pura y tibia. Seque con un trapo limpio y suave para evitar las manchas de gotas de agua.
- Nunca utilice detergentes abrasivos o alcoholes (isopropilo, butilo y propilo) y evite limpiar la cubierta del domo a temperaturas elevadas o en contacto directo con la luz solar.

ES

Guía de instalación

Esta guía de instalación incluye las instrucciones necesarias para instalar la cámara de red AXIS Q3505-SVE Mk II en su red. Para conocer otros aspectos de uso del producto, consulte el manual del usuario disponible en www.axis.com.

Contenido del paquete

Para conocer los accesorios opcionales, consulte axis.com

- Cámara de red AXIS Q3505-SVE Mk II
- Punta de tornillo TR20
- Conector de E/S
- Protector del conector
- Junta adhesiva
- Juntas de cable adicionales
 - Junta de cable M20
 - Junta de cable M20-3 mm
- Materiales impresos
 - Guía de instalación (este documento)
 - Plantilla de perforado
 - Etiquetas adicionales con el número de serie (2)
 - Clave de autenticación AVHS

ES

Herramientas recomendadas

AVISO

El acero inoxidable es resistente a la corrosión, pero puede aparecer óxido externo si el material se manipula de forma incorrecta. Utilice herramientas de acero inoxidable para evitar la aparición de restos de óxido y la corrosión por picadura.

- Llave Resitorx TR20

Accesorios opcionales

- Kit colgante AXIS T94U01D
- Kit colgante AXIS T94U02D
- Montaje en poste AXIS T91F67
- Montaje en pared AXIS T91F61
- Interruptor B contra intrusiones para domos AXIS

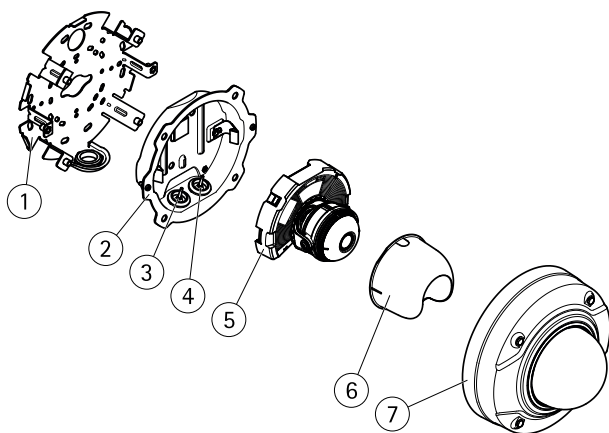
AXIS Q3505-SVE Mk II Network Camera

- Domo ahumado AXIS Q3505-SVE Mk II
- Cable multiconector para conexión de E/S y audio

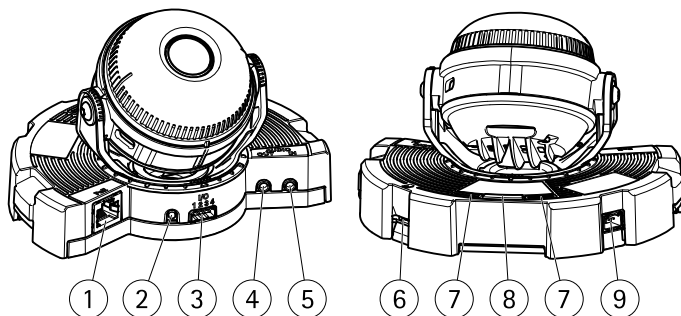
Para obtener información sobre los accesorios disponibles, visite www.axis.com.

Información general del hardware

Para conocer las especificaciones de los componentes del hardware, vea *Especificaciones técnicas* en la página 88.



- 1 Soporte de montaje
- 2 Carcasa de la unidad
- 3 Junta de cable, cable de red
- 4 Junta de cable, multicable
- 5 Unidad de cámara
- 6 Protector visual
- 7 Cubierta del domo



- 1 Conector de red
- 2 Botón de control
- 3 Conector de E/S
- 4 Conector de entrada de audio
- 5 Conector de salida de audio
- 6 Ranura para tarjetas SD
- 7 LED de estado
- 8 Botón de función
- 9 No se utiliza

ES

Indicadores LED

Nota

- Se puede configurar el LED Estado para que parpadee mientras haya un evento activo.
- Se puede configurar el LED de estado para que parpadee e identifique la unidad. Vaya a Setup > System Options > Maintenance (Configuración > Opciones del sistema > Mantenimiento).

LED de estado	Indicación
Apagado	Conexión y funcionamiento normal.
Verde	Se muestra fijo durante diez segundos para indicar un funcionamiento normal después de completar el inicio.
Ámbar	Fijo durante el inicio. Parpadea en verde durante la actualización del firmware o el restablecimiento a la configuración predeterminada de fábrica.
Ámbar/rojo	Parpadea en ámbar/rojo si la conexión a la red no está disponible o se ha perdido.

Comportamiento del indicador LED de estado y la señal del avisador acústico con el Asistente de nivelación

Para obtener información sobre el botón de función que se usa para nivelar la imagen, consulte *página 86*.

Color	Avisador acústico	Posición de la cámara
Verde continuo	Sonido continuo	Nivelada
Verde parpadeante	Sonidos rápidos	Casi nivelada
Ámbar parpadeante	Sonidos a velocidad media	No nivelada
Rojo parpadeante	Sonidos lentos	En absoluto nivelada

Ranura para tarjetas SD

AVISO

- Riesgo de daños en la tarjeta SD. No emplee herramientas afiladas, objetos de metal ni demasiada fuerza al insertar o extraer la tarjeta SD. Utilice los dedos para insertar o extraer la tarjeta.
- Riesgo de pérdida de datos y grabaciones dañadas. No extraiga la tarjeta SD mientras el producto esté en funcionamiento. Desconecte la alimentación o desinstale la tarjeta SD desde la página web de producto antes de retirarla.

Este producto admite tarjetas microSD/microSDHC/microSDXC (no incluidas).

Para conocer las recomendaciones de tarjeta SD, consulte www.axis.com.

Botones

Botón de control

Para conocer la ubicación del botón de control, vea *Información general del hardware en la página 84*.

El botón de control se utiliza para lo siguiente:

- Restablecer el producto a la configuración predeterminada de fábrica. Consulte *página 95*.
- Conectarse a un servicio AXIS Video Hosting System o al Servicio de DNS dinámico de Internet de AXIS. Para obtener más información sobre estos servicios, consulte el Manual del usuario.

Botón de función

El botón de función tiene diversas utilidades:

- **Como asistente de nivelación:** Esta función ayuda a garantizar que la imagen esté nivelada. Presione el botón durante 2 segundos aproximadamente para iniciar el asistente de nivelación y vuelva a presionarlo para detenerlo. El indicador LED de estado (consulte *página 86*) y la señal del avisador acústico ayudan a nivelar la imagen. La imagen está nivelada cuando el avisador acústico emite un sonido continuo.
- **Para ver el LED de estado:** Pulse el botón una vez para iluminar los LED de estado. Púlselo de nuevo para apagarlos. Los LED se apagarán automáticamente después de 10 segundos.

Conectores

Conector de red

Conector Ethernet RJ45 con alimentación a través de Ethernet (PoE).

AVISO

El producto se conectará mediante un cable de red blindado (STP). Todos los cables que conecten el producto a la red deberán estar blindados para su uso específico. Asegúrese de que los dispositivos de red estén instalados de conformidad con las instrucciones del fabricante. Para obtener información sobre los requisitos normativos, vea *Electromagnetic Compatibility (EMC) 4*.

Conector de E/S

Se utiliza con dispositivos externos en combinación con, por ejemplo, alarmas antimanipulación, detección de movimiento, activación de eventos y notificaciones de alarma. Además del punto de referencia de 0 V CC y la potencia (salida de CC), el conector de E/S ofrece la interfaz para:

- **Salida digital:** para conectar dispositivos externos como relés y LED. Los dispositivos conectados se pueden activar mediante la Interfaz de programación de aplicaciones (API) VAPIX®, los botones de salida de la página Live View o mediante una regla de acción. La salida se mostrará activa (se indica en **System Options > Ports & Devices (Opciones del sistema > Puertos y dispositivos)**) si el dispositivo de alarma está activado.
- **Entrada digital:** una entrada de alarma para conectar dispositivos que puedan alternar circuitos cerrados y abiertos, como detectores PIR, contactos de puertas y ventanas, detectores de rotura de cristales, etc. Cuando se recibe una señal, el estado cambia y la entrada se vuelve activa (se indica en **System Options > Ports & Devices (Opciones del sistema > Puertos y dispositivos)**).

Conector de audio

El producto de Axis integra los siguientes conectores de audio:

AXIS Q3505-SVE Mk II Network Camera

- **Entrada de audio (rosa):** entrada de 3,5 mm para micrófono mono, o entrada de línea de señal mono.
- **Salida de audio (verde):** salida para audio (nivel de línea) de 3,5 mm que se puede conectar a un sistema de megafonía pública o a un altavoz con amplificador incorporado. Debe utilizarse un conector estéreo para la salida de audio.

Conectores de audio de 3,5 mm (estéreo)



	1 Punta	2 Anillo	3 Manguito
Entrada de audio	Balanceada: entrada de línea/micrófono de señal "caliente" No balanceada: Entrada de línea/micrófono	Balanceada: entrada de línea/micrófono de señal "fría" No balanceada: sin utilizar	Tierra
Salida de audio	Salida de línea, mono (conector estéreo compatible)	Salida de línea, mono (conector estéreo compatible)	Tierra

El micrófono interno se utiliza de forma predeterminada; el micrófono externo se utiliza cuando se conecta. Se puede desactivar el micrófono interno conectando una clavija a la entrada de micrófono.

Multicable (se vende por separado)

El multicable se puede adquirir en cualquier distribuidor de Axis para conectar el equipo externo al producto de Axis. El cable proporciona los siguientes conectores:

Conector de audio – Vea *Conectores en la página 87*

Conector de E/S – Vea *Conectores en la página 87*

Conector de alimentación – No se utiliza.

Especificaciones técnicas

Para acceder a la versión más reciente de la hoja de datos, visite www.axis.com > productos> soporte técnico y documentación.

Condiciones de funcionamiento

Producto	Clasificación	Temperatura	Humedad
AXIS Q3505-SVE Mk II	IEC 60529 IP6K9K Clasificación NEMA 250 4X	De -50 °C a 60 °C	Humedad relativa del 10 al 100 % (sin condensación)

Consumo de energía

AVISO

Utilice una fuente de alimentación limitada (LPS) con una potencia nominal de salida limitada a ≤ 100 W o una corriente nominal de salida limitada a ≤ 5 A.

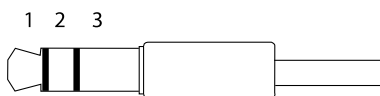
Producto	PoE
AXIS Q3505-SVE Mk II	Alimentación a través de Ethernet (PoE) IEEE 802.3af/802.3at Tipo 1, Clase 3, 11,4 W máx.

ES

Conectores

Conector de audio

Conectores de audio de 3,5 mm (estéreo)



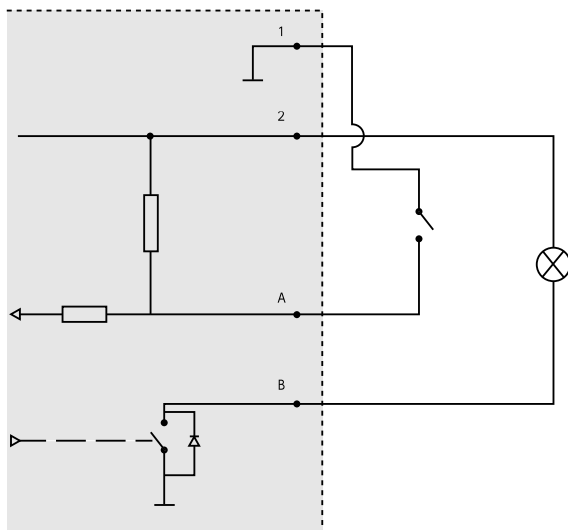
	1 Punta	2 Anillo	3 Manguito
Entrada de audio	Balanceada: entrada de línea/micrófono de señal "caliente" No balanceada: Entrada de línea/micrófono	Balanceada: entrada de línea/micrófono de señal "fría" No balanceada: sin utilizar	Tierra
Salida de audio	Salida de línea, mono (conector estéreo compatible)	Salida de línea, mono (conector estéreo compatible)	Tierra

AXIS Q3505-SVE Mk II Network Camera

El micrófono interno se utiliza de forma predeterminada; el micrófono externo se utiliza cuando se conecta. Se puede desactivar el micrófono interno conectando una clavija a la entrada de micrófono.

Diagramas de conexión

Conector de E/S



- 1 0 V CC (-)
- 2 Salida de CC 12 V, 50 mA máx.
- A E/S configurada como entrada
- B E/S configurada como salida

Instalación del hardware

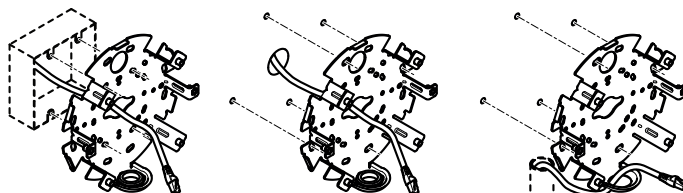
Soporte de montaje

El soporte de montaje dispone de ocho orificios en el borde que deben utilizarse para sujetar el soporte a la pared.

Si va a montar el soporte en una caja de conexiones, también incluye orificios para las siguientes opciones de montaje:

- Caja de conexiones de salida doble de tamaño estándar para EE. UU.

- Caja de conexiones de salida única de tamaño estándar para EE. UU.
- Caja cuadrada de 10,16 cm
- Caja octogonal de 10,16 cm



En función de si desea utilizar una caja de conexiones o tender los cables a través o a lo largo de la pared, siga las instrucciones correspondientes que aparecen a continuación.

Para instalar la cámara en una caja de conexiones:

1. Fije la junta adhesiva a la parte posterior del soporte de montaje.
2. Pase el cable de red (y el multicable si fuese necesario) a través de la caja de conexiones y del orificio en el soporte de montaje.
3. Fije el soporte de montaje a la caja de conexiones con los tornillos inoxidable adecuados.

Para colocar los cables a través de la pared:

1. Utilice la plantilla de perforado para hacer cuatro orificios para instalar el soporte y uno para pasar el cable a través de la pared.
2. Fije la junta adhesiva a la parte posterior del soporte de montaje.
3. Pase el cable de red (y el multicable si fuese necesario) a través de la pared y del orificio en el soporte de montaje.
4. Fije el soporte de montaje a la pared con los tornillos inoxidable adecuados.

Para guiar los cables a lo largo de la pared y a través del orificio lateral del soporte de montaje:

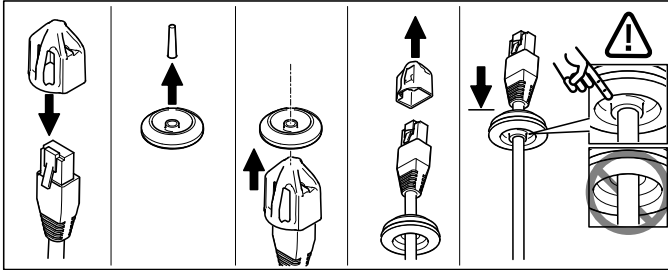
1. Fije la junta adhesiva a la parte posterior del soporte de montaje.
2. Desenrosque el tapón del orificio lateral del soporte de montaje.
3. Pase el cable de red (y el multicable si fuese necesario) a través del conducto y del orificio en el soporte de montaje.
4. Fije el soporte de montaje a la pared con los tornillos inoxidable adecuados.
5. Fije el conducto al soporte de montaje.

Conexión de los cables y fijación de la cámara al soporte de montaje

1. Inserte la tarjeta microSD en la unidad de la cámara (opcional).
2. Retire la junta del cable de red de la carcasa de la unidad, consulte *Información general del hardware en la página 84*.

AXIS Q3505-SVE Mk II Network Camera

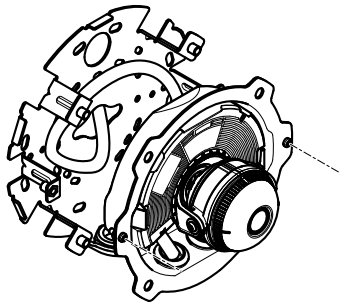
3. Tire de la pestaña de la junta para retirarla y utilice el protector del conector facilitado para empujar el cable de red a través de la junta. Tire del cable de red hacia atrás suavemente de manera que la junta de cable se ajuste en el cable.



AVISO

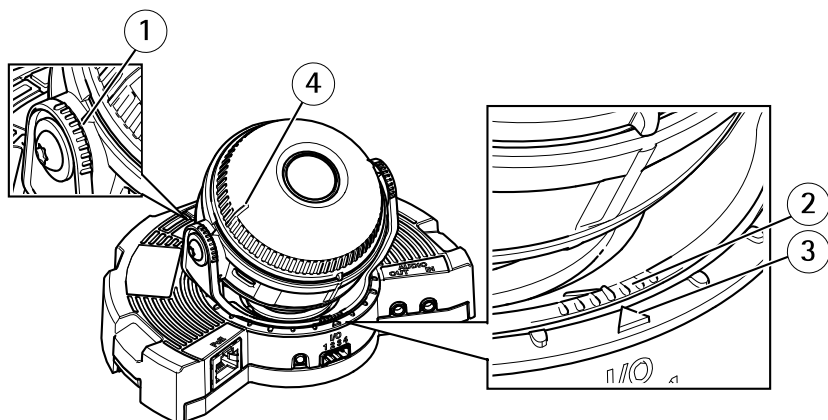
Si no se tira del cable hacia atrás, podría filtrarse agua y dañar el producto.

4. Con un multicable, retire la otra junta del cable de la carcasa de la unidad y deséchela.
5. Haga pasar los cables a través de la carcasa de la unidad y fije las juntas del cable a la carcasa.
6. Conecte los cables a la cámara.
7. Separe los muelles de la carcasa de la unidad y fije la unidad de la cámara a la carcasa de la unidad, tirando de los cables a través de las juntas de cable para acortarlos según sea necesario.



8. Enrolle el cable sobrante en el soporte de montaje y fije la carcasa de la unidad en el soporte de montaje con los dos tornillos.
9. Compruebe que las juntas de cable han quedado montadas correctamente con respecto a la carcasa de la unidad y los cables.

Ajuste de ángulo de la cámara



- 1 Las líneas en el soporte del sistema óptico indican un incremento en el ángulo vertical de 10°
- 2 Las líneas pequeñas en el montaje del sistema óptico indican un incremento en horizontal de 3°
- 3 Las líneas en el montaje del sistema óptico indican un incremento horizontal de 15°
- 4 Las líneas en la cubierta del objetivo ayudan a garantizar que la cámara esté nivelada

1. Mueva la cámara en horizontal y vertical y gírela para cubrir el área bajo vigilancia. Es posible moverse 360° en horizontal y un ángulo de 90° en vertical.
2. Mueva el objetivo en horizontal y gírelo para ajustar la imagen.
3. Utilice las dos líneas de la cubierta del objetivo para asegurarse de que la cámara esté nivelada. Para activar el asistente de nivelación, presione el botón de función. Consulte *Botón de función en la página 87*.

Fijación de la cubierta del domo

1. Fije el protector visual a la unidad de la cámara.
2. Asegúrese de que la junta de la cubierta del domo esté limpia y ajustada correctamente en su posición.
3. Coloque la cubierta del domo en la carcasa de la unidad y apriete los tornillos a 2,0 Nm con la punta de tornillo TR20 proporcionada.
4. Retire la película protectora de la cubierta del domo.

Cómo acceder al producto

Se recomiendan AXIS IP Utility y AXIS Camera Management como métodos para buscar los productos de Axis en la red y asignarles direcciones IP en Windows®. Ambas aplicaciones son gratuitas y pueden descargarse de www.axis.com/support

El producto se puede utilizar con la mayoría de los sistemas operativos y navegadores. Los navegadores recomendados son:

- Internet Explorer® con Windows®
- Safari® con OS X®
- Chrome™ o Firefox® con otros sistemas operativos.

Para obtener más información sobre el uso del producto, consulte el manual del usuario, disponible en www.axis.com.

Ajuste del enfoque y el zoom

Estas instrucciones se aplican si ha seleccionado **Optical zoom for installation (Zoom óptico para la instalación)** al iniciar la cámara.

1. Vaya a **Setup (Configuración) > Video & Audio (Video y audio)**.
2. En la página de enfoque, vaya a la pestaña **Basic (Básica)**.
3. Establezca el nivel de **zoom** con el control deslizante.

Nota

Deben evitarse los movimientos delante de la cámara durante el enfoque automático.

4. Haga clic en **Perform auto focus (Realizar enfoque automático)**.
5. Si no está satisfecho con el resultado, vaya a la pestaña **Advanced (Avanzada)**.

En la pestaña **Advanced (Configuración avanzada)**, se puede ajustar el enfoque manualmente:

1. Haga clic en **Open iris (Abrir iris)** para abrir el iris hasta su máxima posición. Con esto se consigue la menor profundidad de campo posible y, por tanto, las condiciones óptimas de enfoque.
2. El enfoque se establece en la **Focus window (Ventana de enfoque)**. Utilice el ratón para mover la ventana de enfoque y cambiar su tamaño.
3. Haga clic en la barra **Focus position (Posición de enfoque)** para enfocar una localización concreta.
4. Cuando el resultado sea satisfactorio, haga clic en **Enable iris (Activar iris)** para activar el iris.

Ajuste de los límites de enfoque y zoom

Estas instrucciones se aplican si ha seleccionado **Optical zoom for monitoring (Zoom óptico para supervisión)** al iniciar la cámara.

Para definir el enfoque y el zoom en una nueva posición predefinida:

1. Vaya a **PTZ (PTZ) > Preset Positions (Posiciones predefinidas)** y ajuste el enfoque y el zoom al área que prefiera de la imagen de la cámara.
2. Introduzca un nombre para la posición predefinida en el campo **Current position (Posición actual)** y seleccione **Use current position as Home (Usar posición actual como inicio)**.
3. Haga clic en **Add (Agregar)** para añadir su posición actual como posición predefinida.
4. Seleccione su posición predefinida en la lista desplegable **Available positions (Posiciones disponibles)**.
5. Haga clic en **Go to (Ir a)** para establecer la cámara en su posición predefinida.
6. Haga clic en **Save (Guardar)**.

Para establecer los límites de enfoque y zoom:

1. Vaya a **Video & Audio (Vídeo y audio) > Focus & Zoom (Enfoque y zoom)**.
2. Seleccione un valor en la lista desplegable **Zoom limit (Límite de zoom)** para limitar el área de zoom máximo de la cámara.
El nivel de zoom digital se indica con la letra **D**.
3. Para previsualizar el límite de zoom, haga clic en **Go to (Ir a)** esta posición.
4. Seleccione un valor en la lista desplegable **Focus near limit (Límite de aproximación del enfoque)** para evitar que la cámara enfoque objetos que estén demasiado cerca.
5. Haga clic en **Save (Guardar)**.

Nota

El enfoque y el zoom se pueden definir en **Video & Audio (Audio y vídeo) > Focus & Zoom (Enfoque y zoom)**, pero la configuración no se guarda después de reiniciar la cámara.

Restablecimiento a la configuración predeterminada de fábrica

Importante

Hay que tener cuidado al restablecer la configuración predeterminada de fábrica. Todos los valores, incluida la dirección IP, se restablecerán a la configuración predeterminada de fábrica.

Nota

Las herramientas del software de instalación y gestión están disponibles en las páginas de asistencia técnica en www.axis.com/techsup.

Para restablecer el producto a la configuración predeterminada de fábrica:

1. Desconecte la alimentación del producto.
2. Mantenga pulsado el botón de control y vuelva a conectar la alimentación. Vea *Información general del hardware en la página 84*.
3. Mantenga pulsado el botón de control durante 15-30 segundos hasta que el indicador LED de estado parpadee en ámbar.
4. Suelte el botón de control. El proceso finaliza cuando el indicador LED de estado se pone verde. El producto se ha restablecido a la configuración predeterminada de fábrica. Si no hay ningún servidor DHCP disponible en la red, la dirección IP predeterminada es 192.168.0.90.
5. Utilice las herramientas del software de instalación y gestión para asignar una dirección IP, establecer la contraseña y acceder a la transmisión de vídeo.

También es posible restablecer los parámetros a los valores predeterminados de fábrica mediante la interfaz web. Vaya a **Setup > System Options > Maintenance (Configuración > Opciones del sistema > Mantenimiento)** y haga clic en **Default (Predeterminado)**.

Más información

- Para consultar la versión más reciente de este documento, vaya a www.axis.com
- El manual de usuario se encuentra disponible en www.axis.com.
- Para comprobar si existe un firmware actualizado disponible para su producto, vaya a www.axis.com/support
- Para consultar seminarios web y cursos en línea que pueden resultarle útiles, vaya a www.axis.com/academy

Información de garantía

Para obtener más detalles sobre la garantía del producto Axis y la información relacionada con ella, visite www.axis.com/warranty/

安全情報

危険レベル

▲危険

回避しない場合、死亡または重傷につながる危険な状態を示します。

▲警告

回避しない場合、死亡または重傷につながるおそれのある危険な状態を示します。

▲注意

回避しない場合、軽傷または中程度の怪我につながるおそれのある危険な状態を示します。

注記

回避しない場合、器物の破損につながるおそれのある状態を示します。

その他のメッセージレベル

重要

製品を正しく機能させるために不可欠な重要情報を示します。

注意

製品を最大限に活用するために役立つ有用な情報を示します。

安全手順

▲注意

鋭利な金属エッジに注意してください。取り付け時は耐切削手袋を使用してください。

注記

- 本製品は、お使いになる地域の法律や規制に準拠して使用してください。
- 本製品は乾燥した換気のよい環境に保管してください。
- 本製品を不安定なポール、ブラケット、表面、または壁に設置しないでください。
- 本製品を設置する際には、適切な工具のみを使用してください。電動工具を使用して過剰な力をかけると、製品が損傷することがあります。
- 製品の技術仕様に準拠したアクセサリーのみを使用してください。これらのアクセサリーは、Axisまたはサードパーティから入手できます。Axisは、ご使用の製品と互換性のあるAxis給電ネットワークスイッチの使用を推奨します。
- Axisが提供または推奨する交換部品のみを使用してください。
- 製品を自分で修理しないでください。修理については、Axisサポートまたは販売代理店にお問い合わせください。

輸送

注記

- 本製品を運搬する際は、製品が損傷しないよう、元の梱包か同等の梱包を使用してください。

バッテリー

本製品は、内部リアルタイムクロック (RTC) 用電源として、3.0V CR2032リチウムバッテリーを使用します。このバッテリーは、通常条件下で最低5年間使用できます。

バッテリーが低電力状態になると、RTCの動作に影響し、電源を入れるたびにRTCがリセットされます。バッテリーの交換が必要になると、製品のサーバーレポートにログメッセージが表示されます。サーバーレポートの詳細については、製品の設定ページを参照するか、Axisサポートまでお問い合わせください。

必要な場合以外はバッテリーを交換しないでください。バッテリーの交換が必要な場合は、Axisサポート www.axis.com/supportまでご連絡ください。

リチウムコイン型3.0V電池は、1,2-ジメトキシエタン (エチレングリコールジメチルエーテル (EGDME)、CAS番号110-71-4) を含有しています。

▲警告

- バッテリーは、正しく交換しないと爆発する危険があります。
- 交換用バッテリーとしては、同一品またはAxisが推奨するバッテリーのみを使用してください。
- 使用済みバッテリーは、地域の規制またはバッテリーメーカーの指示に従って廃棄してください。

ドームカバー

注記

- 画質低下の原因となるので、ドームカバーに傷や指紋を付けたり、損傷しないように注意してください。可能であれば、設置が完了するまでドームカバーに保護プラスチックを付けたままにしてください。
- 肉眼で見ても汚れがない場合は、ドームカバーを掃除しないでください。また、絶対に表面を磨かないでください。過度な清掃により、表面が破損することがあります。
- ドームカバーの通常のクリーニングには、磨耗防止タイプの無溶媒の中性石鹸またはきれいな水で薄めた洗剤と、柔らかい清潔な布を使用することをお勧めします。洗浄後、きれいなぬるま湯でよくすすいでください。水滴の跡が付かないよう、清潔な柔らかい布で拭いて乾かしてください。
- 強力な洗剤、アルコール（イソプロピル、ブチル、プロピル）は絶対に使用しないでください。また直射日光が当たる場所や気温が上昇する場所での、ドームカバーの清掃は避けてください。

インストールガイド

このインストールガイドでは、AXIS Q3505-SVE Mk II ネットワークカメラをお使いのネットワークにインストールする手順について説明します。製品の使用の詳細については、www.axis.comで入手できるユーザーズマニュアルを参照してください

パッケージの内容

オプションアクセサリについては、www.axis.comを参照してください

- AXIS Q3505-SVE Mk II ネットワークカメラ
- スクリュービットTR20
- I/Oコネクタ
- コネクタガード
- 粘着ガスケット
- 予備のケーブルガスケット
 - ケーブルガスケットM20
 - ケーブルガスケットM20-3mm
- 印刷物
 - インストールガイド (本書)
 - ドリルテンプレート
 - 予備のシリアル番号ラベル×2
 - AVHS認証キー

JA

推奨ツール

注記

ステンレススチールには耐腐食性がありますが、材質の取り扱いを誤ると、外側がさびる可能性があります。さび汚れや孔食を防ぐには、ステンレス製の工具を使用してください。

- いじり止めヘックスローブレンチTR20

オプションアクセサリ

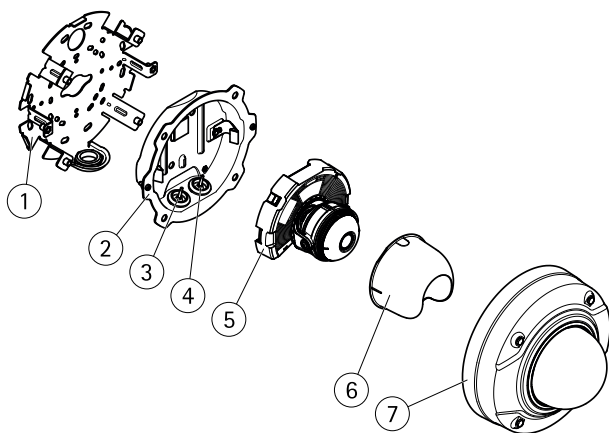
- AXIS T94U01D ペンダントキット
- AXIS T94U02D ペンダントキット
- AXIS T91F67 ポール取付ブラケット
- AXIS T91F61 壁面取付ブラケット
- AXIS ドーム侵入アラームスイッチB

AXIS Q3505-SVE Mk II Network Camera

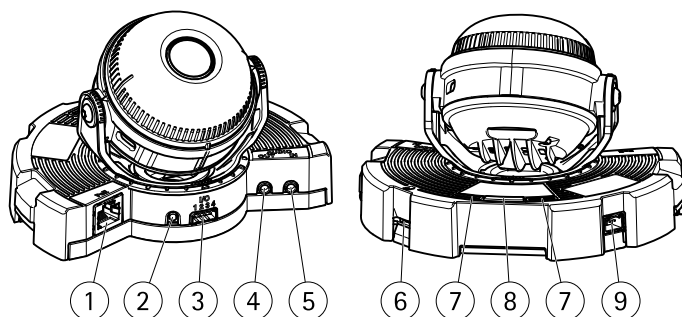
- AXIS Q3505-SVE Mk II スモークドーム
 - 入出力 (I/O)、音声接続用マルチコネクターケーブル
- 利用可能なアクセサリーについては、www.axis.comを参照してください

ハードウェアの概要

ハードウェアコンポーネントの仕様については、106ページの、技術仕様を参照してください。



- 1 取り付けブラケット
- 2 ユニットケーシング
- 3 ケーブルガasket、ネットワークケーブル
- 4 ケーブルガasket、マルチケーブル
- 5 カメラユニット
- 6 ビュー保護
- 7 ドームカバー



- 1 ネットワークコネクタ
- 2 コントロールボタン
- 3 I/Oコネクタ
- 4 音声入力コネクタ
- 5 音声出力コネクタ
- 6 SDカードスロット
- 7 ステータスLED
- 8 機能ボタン
- 9 使用しません

JA

LEDインジケータ

注意

- ステータスLEDは、イベントの発生時に点滅させることができます。
- ステータスLEDを点滅させ、本製品を識別できるように設定することができます。設定は、[Setup > System Options > Maintenance] (設定 > システムオプション > 保守)で行います。

ステータスLED	説明
無点灯	接続時と正常動作時は、無点灯のままです。
緑	起動後正常に動作する場合、10秒間、緑色に点灯します。
黄	起動時に点灯し、ファームウェアのアップグレード時と工場出荷時設定へのリセット時に点滅します。
黄/赤	ネットワーク接続が利用できないか、失われた場合は、黄色/赤色で点滅します。

水平化アシスタントのステータスLEDの動作とブザー信号

画像の水平化に使用する機能ボタンの詳細については、104ページを参照してください。

カラー	ブザー	カメラの位置
緑: 点灯	連続音	水平
緑: 点滅	高速なブザー音	ほぼ水平
オレンジ: 点滅	中程度の速さのブザー音	水平ではない
赤: 点滅	低速なブザー音	かなり傾いている

SDカードスロット

注記

- SDカード損傷の危険があります。SDカードの挿入と取り外しの際には、鋭利な工具や金属性の物を使用したり、過剰な力をかけたりしないでください。カードの挿入や取り外しは指で行ってください。
- データ損失や録画データ破損の危険があります。本製品の稼働中はSDカードを取り外さないでください。取り外しの前に電源を切るか、製品のWebページからSDカードをマウント解除してください。

本製品は、microSD/microSDHC/microSDXCカードに対応しています (別売)。

推奨するSDカードについては、www.axis.comを参照してください

ボタン

コントロールボタン

コントロールボタンの位置については、102ページの、ハードウェアの概要を参照してください。

コントロールボタンは、以下の用途で使用します。

- 製品を工場出荷時の設定にリセットする。113ページを参照してください。
- AXIS Video Hosting SystemサービスまたはAXIS Internet Dynamic DNSサービスに接続する。これらのサービスの詳細については、ユーザーズマニュアルを参照してください。

機能ボタン

機能ボタンには、以下のような機能があります。

- **水平化アシスタント** – 画像を水平にするのに役立つ機能です。ボタンを約2秒間押し続けると水平化アシスタントが起動し、もう一度押すと停止します。ステータスLED (104ページ参照) とブザー信号を使用して、画像の水平化を行います。画像が水平になると、ブザーが連続音になります。
- **ステータスLEDを表示する** – 機能ボタンを1回押すとステータスLEDがオンになり、もう一回押すとオフになります。10秒経過すると、ステータスLEDは自動的にオフになります。

コネクタ

ネットワークコネクタ

RJ45イーサネットコネクタ、Power over Ethernet (PoE) 対応。

注記

本製品は、シールドネットワークケーブル (STP) を使用して接続してください。本製品は、用途に合ったケーブルを使用してネットワークに接続してください。ネットワーク装置がメーカーの指示どおりに設置されていることを確認します。法的要件については、*Electromagnetic Compatibility (EMC) 4*を参照してください。

JA

I/Oコネクタ

外部装置を接続し、カメラに対するいたずらの警報、動体検知、イベントトリガー、アラーム通知などを使用することができます。I/Oコネクタは、0VDC基準点と電力 (DC出力) に加えて、以下のインターフェースを提供します。

- **デジタル出力** – リレーやLEDなどの外部デバイスを接続します。接続されたデバイスは、VAPIX®アプリケーションプログラミングインターフェース (API)、[Live View] (ライブビュー) ページの出力ボタン、アクションルールを使用してアクティブにすることができます。アラームデバイスがアクティブな場合、出力がアクティブと表示されます (**System Options > Port & Devices (システムオプション > ポートとデバイス)** で表示)。
- **デジタル入力** – オープンサーキットとクローズサーキットの切り替えが可能なデバイスの接続用。たとえば、PIR、ドア/窓の接触、ガラス破壊検知などです。信号を受取ると状態が変化し、入力がactiveになります (**System Options > Ports & Devices (システムオプション > ポートとデバイス)** で表示)。

音声コネクタ

本製品は、以下の音声コネクタを搭載しています。

- **音声入力 (ピンク)** – モノラルマイクロフォンまたはライン入力モノラル信号用3.5 mm入力。

AXIS Q3505-SVE Mk II Network Camera

- **音声出力 (緑)** - 3.5 mm 音声 (ラインレベル) 出力 (パブリックアドレス (PA) システムまたはアンプ内蔵アクティブスピーカーに接続可能)。音声出力には、ステレオコネクタを使用する必要があります。

3.5 mm 音声コネク
ター (ステレオ)



	1 チップ	2 リング	3 スリーブ
音声入力	バランス: 「ホット」 信号 マイクロフォン/ライン入 力 アンバランス: マイクロ フォン/ライン入力	バランス: 「コールド」 信 号 マイクロフォン/ライ ン入力 アンバランス: 未使用	グラウンド
音声出力	ライン出力、モノラル (ス テレオコネクタと互換)	ライン出力、モノラル (ス テレオコネクタと互換)	グラウンド

デフォルトでは内蔵マイクロフォンが使用され、外部マイクロフォンが接続されると、外部マイクロフォンが使用されます。マイクロフォン入力にプラグを差し込むと、内蔵マイクロフォンが無効になります。

マルチケーブル (別売)

外部装置を本製品に接続するためのマルチケーブルは、アクシスの販売代理店から購入できます。このケーブルには、以下のコネクタがあります。

音声コネクタ - 105ページの、コネクタを参照してください。

I/Oコネクタ - 105ページの、コネクタを参照してください。

電源コネクタ - 使用しません。

技術仕様

最新バージョンのデータシートについては、Axisのホームページwww.axis.com > [製品] > [サポートとドキュメント] を参照してください。

動作条件

製品	等級	温度	湿度
AXIS Q3505-SVE Mk II	IEC 60529 IP6K9K NEMA 250 4X規格準拠	-50 ° C ~ 60 ° C	10 ~ 100% RH (結露不可)

消費電力

注記

定格出力が100 Wまたは5 A以下の有限電源 (LPS) を使用します。

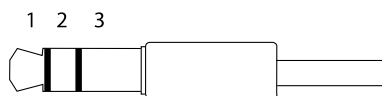
製品	PoE
AXIS Q3505-SVE Mk II	Power over Ethernet (PoE) IEEE 802.3af/802.3at Type 1、Class 3、最大11.4 W

コネクタ

JA

音声コネクタ

3.5 mm 音声コネクタ (ステレオ)

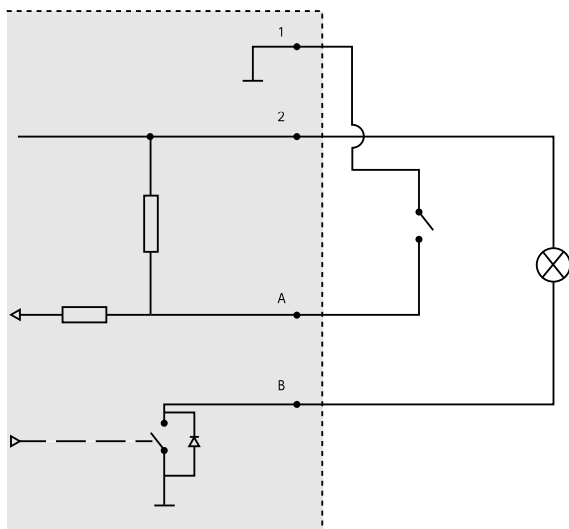


	1 チップ	2 リング	3 スリーブ
音声入力	バランス: 「ホット」 信号 マイクロフォン/ライン入力 非バランス: マイクロフォン/ライン入力	バランス: 「コールド」 信号 マイクロフォン/ライン入力 非バランス: 未使用	グラウンド
音声出力	ライン出力、モノラル (ステレオコネクタと互換)	ライン出力、モノラル (ステレオコネクタと互換)	グラウンド

デフォルトでは内蔵マイクロフォンが使用され、外部マイクロフォンが接続されると、外部マイクロフォンが使用されます。マイクロフォン入力にプラグを差し込むと、内蔵マイクロフォンが無効になります。

接続図

I/Oコネクタ



- 1 0VDC (-)
- 2 DC出力12V, 最大50mA
- A I/O (入力として設定)
- B I/O (出力として設定)

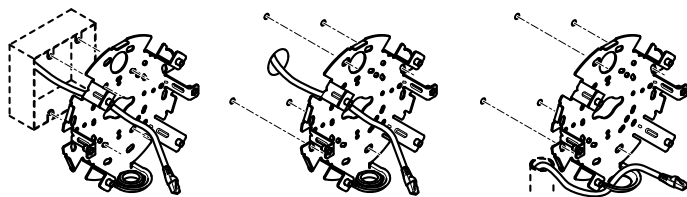
ハードウェアのインストール

取付ブラケット

取り付けブラケットにはエッジに沿って8つの穴があり、ブラケットを壁に取り付けるのに使用します。

ブラケットをジャンクションボックスに取り付けるために、次の取り付けオプションも使用できます。

- 標準サイズの米国ダブルギャングジャンクションボックス
- 標準サイズの米国シングルギャングジャンクションボックス
- 4インチの正方形ボックス
- 4インチの八角形ボックス



ケーブルを、ジャンクションボックスを使用するか、壁に沿って配線します。以下の該当する手順に従ってください。

ジャンクションボックスにカメラを取り付ける方法は次のとおりです。

1. 接着ガasketを取付ブラケットの背面に取り付けます。
2. ネットワークケーブルを(必要に応じて、マルチケーブルも)ジャンクションボックスと取り付けブラケットの穴を通して配線します。
3. 適切なステンレス製ネジを使用して、取り付けブラケットをジャンクションボックスに取り付けます。

壁の中を通して配線する場合は、以下の手順を実行します。

1. ドリルテンプレートを使用して、ブラケット取り付け用に穴を4つ、壁の中にケーブルを配線するための穴を1つ開けます。
2. 接着ガasketを取付ブラケットの背面に取り付けます。
3. ネットワークケーブルを(必要に応じて、マルチケーブルも)壁と取り付けブラケットの穴を通して配線します。
4. 適切なステンレス製ネジを使用して、取り付けブラケットを壁に取り付けます。

ケーブルを壁に沿わせ、取り付けブラケットのサイドホールを通して配線する方法は次のとおりです。

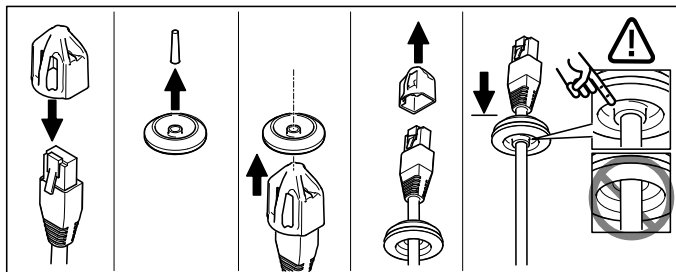
1. 接着ガasketを取付ブラケットの背面に取り付けます。
2. 取り付けブラケットのサイドホールからプラグを取り外します。
3. ネットワークケーブルを(必要に応じて、マルチケーブルも)コンジットと取り付けブラケットの穴を通して配線します。
4. 適切なステンレス製ネジを使用して、取り付けブラケットを壁に取り付けます。
5. 取り付けブラケットにコンジットを取り付けます。

ケーブルの接続とカメラの取り付けブラケットへの取り付け

1. microSDカードをカメラユニットに挿入します(省略可)。
2. ユニットケーシングからネットワークケーブルのケーブルガasketを取り外します(102ページの、ハードウェアの概要を参照)。

AXIS Q3505-SVE Mk II Network Camera

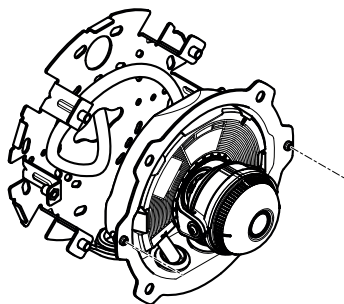
3. ガスケットのタブを引っ張って取り外し、付属のコネクタガードを使用して、ガスケットを通してネットワークケーブルを押し込みます。ネットワークケーブルを少し手前に引き、ケーブルガスケットをケーブルにぴったりと合わせます。



注記

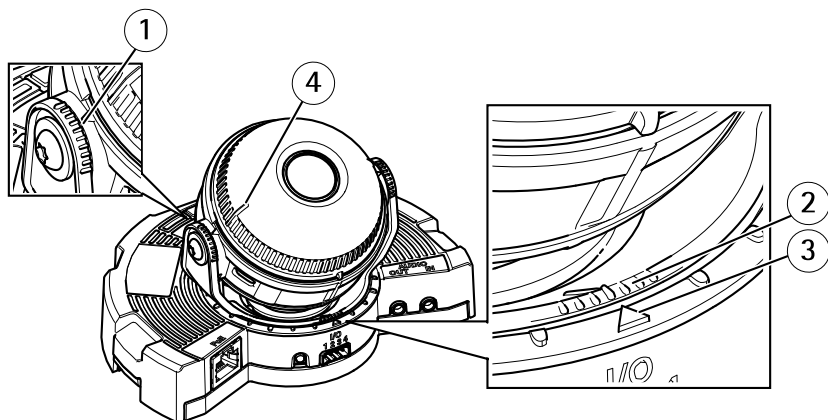
ケーブルを引いて手前に戻さないと、浸水して製品が損傷するおそれがあります。

4. マルチケーブルを使用している場合は、ユニットケーシングから他のケーブルガスケットを取り外して破棄します。
5. ユニットケーシングを通してケーブルを引き、ケーブルガスケットをユニットケーシングに取り付けます。
6. ケーブルをカメラユニットに接続します。
7. ユニットケーシング内のスプリングを横に引いてカメラユニットをユニットケーシングに取り付け、ケーブルガスケットを通してケーブルを引き、必要に応じて短くします。



8. 取り付けブラケットに沿ってケーブルのたるみを巻き上げ、2本のネジでユニットケーシングを取り付けブラケットに取り付けます。
9. ケーブルガスケットがユニットケーシングとケーブルに正しく取り付けられていることを確認します。

カメラアングルの調整



- 1 光学部品ホルダー上のライン。チルト角度 (10° ずつ) を示します。
- 2 光学部品マウント上の短いライン。パンの角度 (3° ずつ) を示します。
- 3 光学部品マウント上のライン。パンの角度 (15° ずつ) を示します。
- 4 レンズカバー上のライン。カメラを水平にするのに役立ちます。

1. カメラのパン、チルト、回転を行い、監視領域をもれなく監視できるかを確認します。パンは 360° 、チルトは 90° まで可能です。
2. パンと回転を行い、適切な画像が得られるよう、レンズを調整します。
3. レンズカバーの2本のラインを使用して、カメラが水平かどうかを確認します。水平化アシスタントを起動するには、機能ボタンを押します。104ページの、機能ボタンを参照してください。

ドームカバーの取り付け

1. ビュー保護をカメラユニットに取り付けます。
2. ドームカバーのガスケットが汚れておらず、しっかりと固定されていることを確認します。
3. ドームカバーをユニットケーシングに配置し、付属のTR20スクリービットを使用して2.0 Nmにネジを締めます。
4. ドームカバーから保護フィルムを取り除きます。

製品のアクセス方法

ネットワーク上でAxis製品を検索したり、Windows®でそれにIPアドレスを割り当てるには、AXIS IP UtilityまたはAXIS Camera Managementの使用をお勧めします。いずれのアプリケーションも無料で、www.axis.com/supportからダウンロードできます。

本製品は、ほとんどのオペレーティングシステムとブラウザでご利用いただけます。推奨ブラウザは以下のとおりです。

- Internet Explorer® (Windows®の場合)
- Safari® (OS X®の場合)
- Chrome™またはFirefox® (その他のオペレーティングシステムの場合)

製品の使用の詳細については、Axisのホームページ (www.axis.com) でユーザーズマニュアルを参照してください

フォーカスとズームの設定

この指示が有効なのは、カメラ起動時に **[Optical zoom for installation] (設置用光学ズーム)** を選択した場合です。

1. **[Setup (設定)] > [Video & Audio (映像と音声)]** に移動します。
2. フォーカスページで、**[Basic (基本設定)]** タブに移動します。
3. スライダーを使用して、**[Zoom (ズーム)]** レベルを設定します。

注意

オートフォーカスの実行中は、カメラの前で動きが発生しないようにする必要があります。

4. **[オートフォーカスの実行]** をクリックします。
5. 結果に満足できない場合は、**[詳細設定]** タブに移動します。

[Advanced] (高度な設定) タブでは、以下の手順でフォーカスを手動で調整することができます。

1. **[Open iris (開く)]** をクリックして、絞りを最大まで開きます。被写界深度が最小になり、焦点合わせに最適な条件になります。
2. フォーカスは、**フォーカスウィンドウ** で設定します。マウスを使用して、フォーカスウィンドウの移動やサイズの変更を行います。
3. **[フォーカス位置]** バーをクリックして、目的の位置に焦点を合わせます。
4. 調整が終わったら、**[絞り有効]** をクリックして、絞りを有効にします。

フォーカスとズームのリミットの設定

この指示が有効なのは、カメラ起動時に [Optical zoom for monitoring] (監視用光学ズーム) を選択した場合です。

新しいプリセットポジションのフォーカスとズームは、以下の手順で設定します。

1. [PTZ] > [Preset Positions] (プリセットポジション) に移動し、カメラ画像内の目的の領域に合わせてフォーカスとズームを設定します。
2. [Current position] (現在のポジション) フィールドにプリセットポジションの名前を入力し、[Use current position as Home] (現在のポジションをホームとして使用する) を選択します。
3. [Add] (追加) をクリックすると、現在のポジションがプリセットポジションとして追加されます。
4. [Available positions] (利用可能なポジション) ドロップダウンリストから、プリセットポジションを選択します。
5. [Go to] (移動) をクリックして、カメラをプリセットポジションに設定します。
6. [Save] (保存) をクリックします。

フォーカスとズームのリミットは、以下の手順で設定します。

1. [Video & Audio (ビデオと音声)] > [Focus & Zoom (フォーカスとズーム)] に移動します。
2. [Zoom limit (ズーム倍率)] のドロップダウンリストで値を選択し、カメラの最大ズーム範囲を制限します。
デジタルズームレベルにはDという文字が付きます。
3. ズーム倍率をプレビューするには、この場所に [Go to (移動)] をクリックします。
4. 近すぎる被写体に焦点が合わないにするには、[Focus near limit (フォーカス近距離側リミット)] のドロップダウンリストから値を選択します。
5. [Save (保存)] をクリックします。

注意

[Video & Audio (ビデオと音声)] > [Focus & Zoom (フォーカスとズーム)] でもフォーカスとズームを設定できますが、カメラの再起動後は設定は保存されていません。

工場出荷時の設定にリセットする

重要

工場出荷時の設定へのリセットは慎重に行ってください。工場出荷時の設定へのリセットを行うと、IPアドレスを含むすべての設定が工場出荷時の値にリセットされます。

AXIS Q3505-SVE Mk II Network Camera

注意

www.axis.com/techsupのサポートページに、インストール・管理ソフトウェアツールが用意されています。

本製品を工場出荷時の設定にリセットするには、以下の手順を実行します。

1. 本製品の電源を切ります。
2. コントロールボタンを押し続けながら電源を再投入します。「102ページの、ハードウェアの概要」を参照してください。
3. ステータスLEDインジケーターが黄色に点滅するまで、コントロールボタンを15～30秒間押し続けます。
4. コントロールボタンを離します。プロセスが完了すると、ステータスLEDが緑色に変わります。これで本製品は工場出荷時の設定にリセットされました。ネットワーク上に利用可能なDHCPサーバーがない場合、デフォルトのIPアドレスは192.168.0.90になります。
5. インストール・管理ソフトウェアツールを使用して、IPアドレスの割り当て、パスワードの設定、ビデオストリームへのアクセスを行います。

Webインターフェースを使用して、各種パラメーターを工場出荷時の設定に戻すこともできます。**[設定 > システムオプション > 保守]**を選択し、**[デフォルト]**をクリックします。

関連情報

- 本書の最新バージョンについては、www.axis.comにアクセスしてください。
- ユーザーズマニュアルは、www.axis.comで入手できます。
- ご使用の製品の新しいファームウェアがリリースされていないかを確認するには、www.axis.com/supportにアクセスしてください。
- 役に立つオンライントレーニングおよびWebセミナーをご用意しております。www.axis.com/academyをご覧ください。

保証情報

Axisの製品保証と関連情報については、www.axis.com/warrantyをご覧ください

安全信息

危险等级

▲危险

表示如果不避免则会导致死亡或严重伤害的危险情况。

▲警告

表示如果不避免则可能导致死亡或严重伤害的危险情况。

▲小心

表示如果不避免则可能导致轻微或中度伤害的危险情况。

注意

表示如果不避免则可能导致财产损失的情况。

其他消息等级

重要

表示产品正常工作所必需的重要信息。

备注

表示有助于充分利用产品的有用信息。

安全说明

⚠小心

请小心锋利的金属边缘。请在安装期间使用防割手套。

注意

- 使用安讯士产品时应遵守当地法律和法规。
- 在干燥通风的环境中存放安讯士产品。
- 请勿将本产品安装在不稳定的立杆、支架、表面或墙壁上。
- 安装安讯士产品时，仅使用适用的工具。使用电动工具过度施力可能导致产品损坏。
- 仅使用符合产品技术规格的附件。这些附件可由安讯士或第三方提供。安讯士推荐使用与产品兼容的安讯士电源设备。
- 仅使用安讯士提供或推荐的备件。
- 请勿尝试自行维修产品。有关服务事项，请联系安讯士支持部门或安讯士经销商。

运输

注意

- 安讯士产品运输途中，应使用其原包装或等效包装，以防对产品造成损坏。

电池

安讯士产品使用 3.0 V CR2032 锂电池作为其内部实时时钟 (RTC) 的电源。在正常情况下，此电池将持续至少五年。

低电池电量会影响 RTC 的工作，从而导致其在每次通电时重置。当电池需要更换时，产品的服务器报告中将显示一条日志消息。有关服务报告的更多信息，请参见产品的设置页面或与安讯士支持部门联系。

除非必要，否则不应更换电池，但如果确实需要更换电池，请通过 www.axis.com/support 与安讯士支持部门联系以获取帮助。

3.0 V 纽扣锂电池包含 1,2-二甲氧基乙烷 (EGDME)，CAS 编码为 110-71-4。

⚠警告

- 如果未正确更换电池，则存在爆炸危险。
- 仅可使用相同电池或安讯士推荐的电池进行更换。
- 根据当地法规或电池制造商的说明处理废电池。

球型罩

注意

- 切勿刮伤或损坏球型罩或在球型罩上留下指纹，因为这样会降低图像质量。请尽可能地将防护塑料保留在球型罩上，直至安装完成。
- 不要清洗外表看起来干净的球型罩，不要磨光表面。过度的清洗可能会损坏表面。
- 对球型罩进行一般清洗时，建议使用非磨蚀性且不含溶剂的中性肥皂或与净水混合的洗涤剂以及柔软、干净的抹布。最好使用纯净的温水进行清洗。使用柔软、干净的抹布擦干，防止水斑。
- 切勿使用烈性洗涤剂或酒精（异丙基、丁基、丙基），并避免在阳光直射下或高温环境中清洗球型罩。

安装指南

本安装指南提供有关在网上安装 AXIS Q3505-SVE Mk II 网络摄像机的指导。有关产品使用的其他方面，请参见 www.axis.com 上提供的用户手册

包装内容

有关可选附件的信息，请参见 axis.com

- AXIS Q3505-SVE Mk II 网络摄像机
- 螺丝刀头 TR20
- I/O 连接器
- 连接器防护件
- 粘性垫圈
- 额外的电缆垫圈
 - 电缆垫圈 M20
 - 电缆垫圈 M20-3 毫米
- 印刷资料
 - 安装指南（本文档）
 - 钻孔模板
 - 额外的序列号标签（2 个）
 - AVHS 身份验证密钥

ZH

推荐的工具

注意

不锈钢耐腐蚀，但在处理不当的情况下，这种材料会出现外部锈迹。使用不锈钢工具避免锈迹或点腐蚀。

- Resitorx 匙 TR20

可选附件

- AXIS T94U01D 悬挂套件
- AXIS T94U02D 悬挂套件
- AXIS T91F67 立杆托架
- AXIS T91F61 墙挂支架
- AXIS 球机入侵开关 B
- AXIS Q3505-SVE Mk II 烟色球机罩

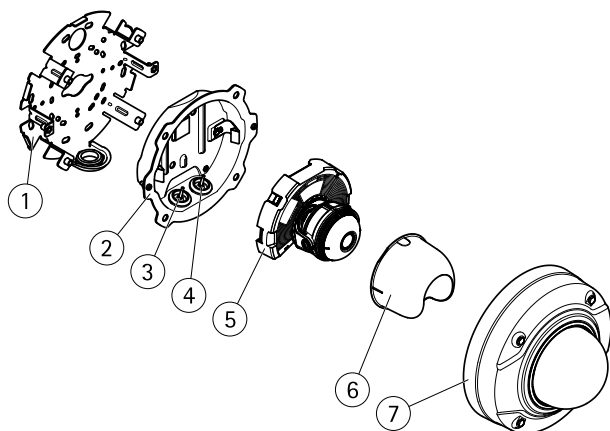
AXIS Q3505-SVE Mk II Network Camera

- 用于连接 I/O 和音频的多芯线缆

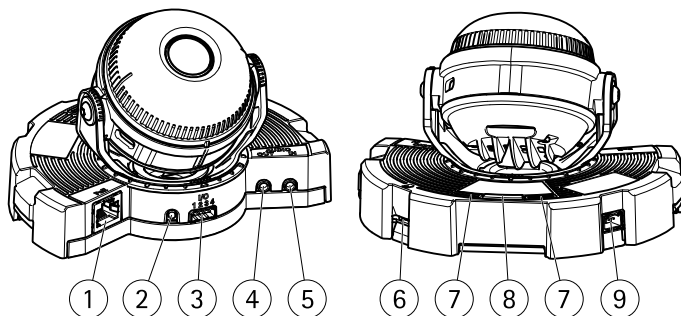
有关可用附件的信息，请参见 www.axis.com

硬件概览

有关硬件组件的规格，请参见 *技术规格* 在第124页。



- 1 安装支架
- 2 单元外壳
- 3 线缆垫圈，网线
- 4 线缆垫圈，多线缆
- 5 摄像机单元
- 6 视图保护
- 7 球型罩



- 1 网络接口
- 2 控制按钮
- 3 I/O 接口
- 4 音频输入接口
- 5 音频输出接口
- 6 SD 卡插槽
- 7 LED 状态指示灯
- 8 功能按钮
- 9 未使用

LED 指示灯

备注

- 状态 LED 可配置为在激活事件时闪烁。
- 状态 LED 可配置为在识别装置时闪烁。转到 **Setup > System Options > Maintenance (设置 > 系统选项 > 维护)**。

状态 LED	指示
熄灭	连接和正常工作。
绿色	启动完成后，将显示稳定的绿色 10 秒，以表示正常工作。
淡黄色	在启动期间稳定。在固件升级过程中或重置为出厂默认值时闪烁。
淡黄色/红色	如果网络连接不可用或丢失，则呈淡黄色/红色闪烁。

水平助手的状态 LED 指示灯行为和蜂鸣器信号

有关调平图像所用功能按钮的信息，请参见第 122 页。

颜色	蜂鸣器	摄像机位置
固定的绿色	持续的蜂鸣声	水平
闪烁的绿色	快速的蜂鸣声	基本水平
闪烁的橙色	中等的蜂鸣声	不水平
闪烁的红色	缓慢的蜂鸣声	远不够水平

SD 卡插槽

注意

- 损坏 SD 卡的风险。插入或取出 SD 卡时，请勿使用锋利的工具、金属物体或过大力气。使用手指插入和取出该卡。
- 数据丢失和录制内容损坏的风险。产品正在运行时，请勿取出 SD 卡。在移除之前，请断开电源或从产品的网页卸载 SD 卡。

本产品支持 microSD/microSDHC/microSDXC 卡（不包括）。

有关 SD 卡的建议，请参见 www.axis.com

按钮

控制按钮

有关控制按钮的位置，请参见 *硬件概览* 在第 120 页。

控制按钮用于：

- 将产品重置为出厂默认设置。请参见第 131 页。
- 连接到安讯士视频托管系统服务或安讯士互联网动态 DNS 服务。有关这些服务的更多信息，请参阅用户指南。

功能按钮

功能按钮具有多种功能：

- **As leveling Assistant（作为调平助手）** – 此功能有助于确保图像处于水平位置。按下该按钮约 2 秒，调平助手将启动，再次按下该按钮则停止。状态 LED（请参见第 121 页）和蜂鸣器信号可帮助实现图像水平。当蜂鸣器连续发出蜂鸣声时，图像处于水平位置。
- **要查看状态 LED 指示灯** – 按一次按钮，点亮状态 LED 指示灯。再次按下将其关闭。10 秒钟后，LED 指示灯自动熄灭。

接口

网络连接器

采用以太网供电 (PoE) 的 RJ45 以太网连接器。

注意

该产品应使用屏蔽网络电缆 (STP) 进行连接。将产品连接到网络的所有电缆应专用于其特定用途。确保根据制造商的说明安装网络设备。有关法规要求的信息，请参见 *Electromagnetic Compatibility (EMC) 4*。

I/O 连接器

用于外部设备，例如与主动防破坏报警、运动侦测、事件触发和警报通知结合使用。除了 0 V DC 参考点和电源 (DC 输出) 以外，I/O 连接器还提供了以下接口：

- **数字输出** – 用于连接继电器和 LED 等外部设备。已连接的设备可通过 VAPIX® 应用程序编程接口、“直播”页面上的输出按钮或操作规则进行激活。如果已激活警报设备，则输出将显示为活动状态 (显示在 **System Options > Ports & Devices (系统选项 > 端口和设备)** 下方)。
- **数字输入** – 用于连接可在开路和闭路之间切换的设备，例如：PIR、门/窗传感器、玻璃破碎探测器等。收到信号时，状态将变化，输入将变为活动状态 (显示在 **System Options > Ports & Devices (系统选项 > 端口和设备)** 下方)。

ZH

音频连接器

安讯士产品具有以下音频连接器：

- **音频输入 (粉色)** – 3.5 毫米输入，用于单声道麦克风或线路输入单声道信号。
- **音频输出 (绿色)** – 用于音频 (线路级) 的 3.5 毫米输出，可连接到公共地址 (PA) 系统或带有内置放大器的有源扬声器。立体声连接器必须用于音频输出。

3.5 毫米音频连接器 (立体声) 1 2 3



	1 尖部	2 中间环	3 尾段
音频输入	平衡：“热”信号麦克风/线路输入 不平衡：麦克风/线路输入	平衡：“冷”信号麦克风/线路输入 不平衡：未使用	接地
音频输出	线路输出，单声道 (兼容立体声连接器)	线路输出，单声道 (兼容立体声连接器)	接地

AXIS Q3505-SVE Mk II Network Camera

默认使用内部麦克风；连接时使用外部麦克风。通过将插头连接到麦克风输入，可以禁用内部麦克风。

多线缆（单独销售）

多线缆可通过安讯士经销商购买，用于将外部设备连接至安讯士产品。该线缆可以提供以下接头：

音频接口 - 请参见 *接口* 在第123页

I/O 接口 - 请参见 *接口* 在第123页

电源接口 - 未使用。

技术规格

要查找最新版本的数据表，请转到 www.axis.com > 产品 > 支持和文档。

工作条件

产品	等级	温度	湿度
AXIS Q3505-SVE Mk II	IEC 60529 IP6K9K NEMA 250 4X 级	- 50° C 至 60° C (- 58° F 至 140° F)	10-100% RH (非冷凝)

功耗

注意

使用额定输出功率限制为 ≤ 100 W 或额定输出电流限制为 ≤ 5 A 的限制电源 (LPS)。

产品	PoE
AXIS Q3505-SVE Mk II	以太网供电 (PoE) IEEE 802.3af/802.3at 1 型, 3 类, 最大 11.4 W

接口

音频接口

3.5 毫米音频接口
(立体声)

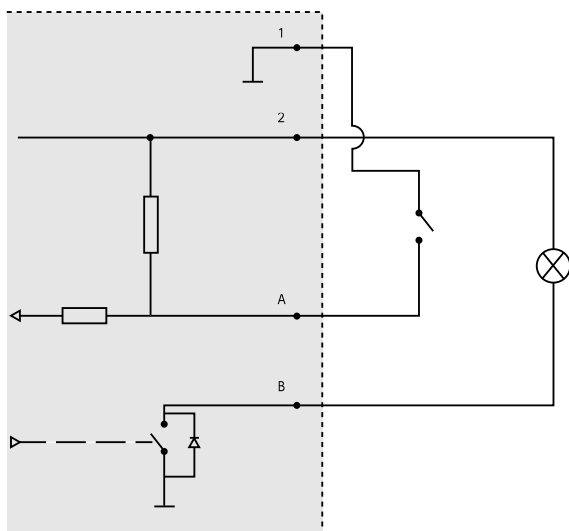


	1 顶端	2 环	3 套
音频输入	平衡：“热”信号麦克风/ 线路输入 不平衡：麦克风/线路输入	平衡：“冷”信号麦克风/ 线路输入 不平衡：未使用	接地
音频输出	线路输出，单声道（兼容 立体声接口）	线路输出，单声道（兼容 立体声接口）	接地

默认使用内部麦克风；外部麦克风在连接时使用。用户可通过连接插头至麦克风输入，禁用内部麦克风。

连接图

I/O 接口



- 1 0 V DC (-)
- 2 DC 输出 12 V, 最大 50 mA
- A I/O 配置为输入
- B I/O 配置为输出

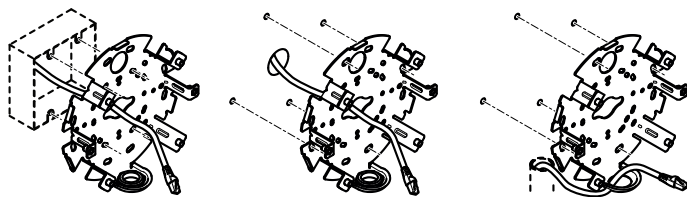
安装硬件

安装支架

安装支架的边沿有 8 个孔，用于将支架固定到墙上。

为了在接线盒上安装支架，还有用于以下安装选件的孔：

- 标准尺寸 US 双联接线盒
- 标准尺寸 US 单联接线盒
- 4 英寸方盒
- 4 英寸八角盒



根据你是否想使用接线盒，或者是否穿墙或沿墙布线，请按下面的相关指令进行操作。

将摄像机安装到接线盒上：

1. 将粘性垫圈附着到安装支架的背部。
2. 将网络电缆（和多芯电缆，如需要）穿过接线盒和安装支架上的孔洞。
3. 用适当的不锈钢螺钉将安装支架连接到接线盒。

将电缆穿过墙壁：

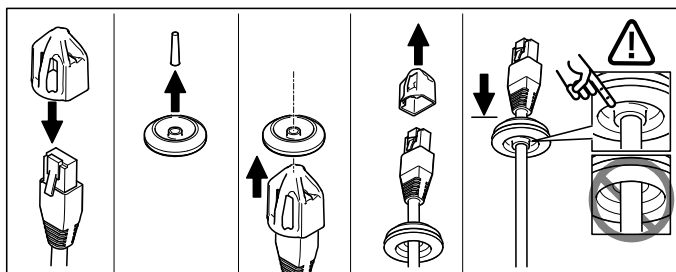
1. 使用钻孔模板，钻 4 个孔来安装支架，另钻一个孔用于将电缆穿过墙壁。
2. 将粘性垫圈附着到安装支架的背部。
3. 将网络电缆（和多芯电缆，如需要）穿过墙壁和安装支架上的孔洞。
4. 用适当的不锈钢螺钉将安装支架固定到墙壁上。

沿墙壁布置电缆并使其穿过安装支架上的侧孔：

1. 将粘性垫圈附着到安装支架的背部。
2. 从安装支架的侧孔上拔下插头。
3. 将网络电缆（和多芯电缆，如需要）穿过导线管和安装支架上的孔洞。
4. 用适当的不锈钢螺钉将安装支架固定到墙壁上。
5. 将导线管连接到安装支架上。

连接电缆并将摄像机连接至安装支架

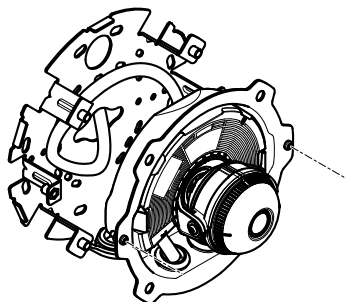
1. 在摄像机单元中插入 microSD 卡（可选）。
2. 从设备外壳上取下网络电缆的电缆垫圈，请参见 [硬件概览](#) 在第 120 页。
3. 拔下垫圈上的塑料堵头，并使用附带的连接器防护件将网络电缆穿过垫圈。轻轻回拉网络电缆，以便调整电缆垫圈在电缆上的位置。



注意

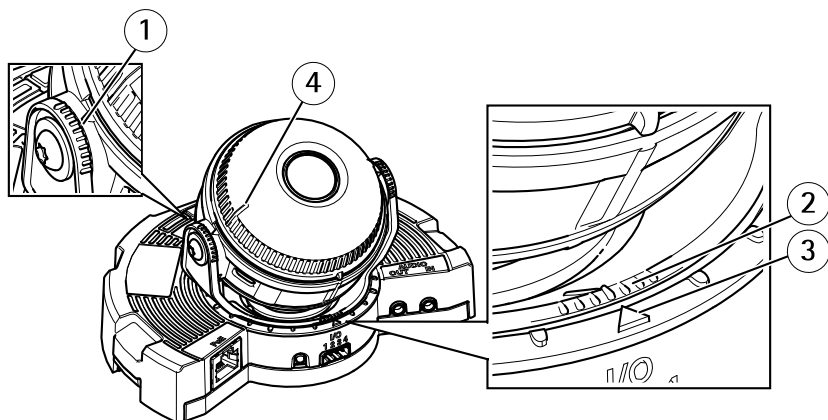
不回拉电缆可能会导致水渗入而损坏产品。

4. 如果使用的是多芯电缆，请从设备外壳上移除另一个电缆垫圈并将其丢弃。
5. 将电缆穿过设备外壳并将电缆垫圈安装到设备外壳上。
6. 将电缆连接至摄像机单元。
7. 将设备外壳中的弹簧拉到一边，将摄像机单元连接至设备外壳，将电缆穿过电缆垫圈以按需缩短。



8. 沿安装支架松散地缠绕电缆，用两个螺钉将设备外壳连接至安装支架。
9. 检查电缆垫圈是否已正确地安装到设备外壳和电缆上。

调整摄像机角度



- 1 光学支架上的线表示俯仰角度的增量为 10°
- 2 光学支架上的小线表示平移角度的增量为 3°
- 3 光学支架上的线表示平移角度的增量为 15°
- 4 镜头盖上的线用于确保摄像机处于水平位置

1. 平移、倾斜和旋转摄像机，以覆盖监控区域。可实现 360° 平移和 90° 俯仰。
2. 平移和旋转镜头来调整图像。
3. 使用镜头盖上两条线，来确保摄像机处于水平位置。要激活水平助手，请按功能按钮。请参见 *功能按钮* 在第122页。

安装球罩

1. 将视野防护部件安装到摄像机单元。
2. 确保球罩中的垫圈干净整洁且安装牢固到位。
3. 将半球罩放置在设备外壳上并用附带的 TR20 螺丝刀头将螺钉拧紧至 2.0 Nm (1.5 lb ft)。
4. 从球罩上撕下保护膜。

如何访问产品

AXIS IP Utility 和 AXIS Camera Management 是用于在网上查找安讯士产品以及在 Windows® 中为其分配 IP 地址的建议方法。这两种应用程序都是免费的，可以从 www.axis.com/support 上进行下载

该产品可与大多数操作系统和浏览器兼容。我们建议使用以下浏览器：

- Internet Explorer®，用于 Windows®
- Safari®，用于 OS X®
- Chrome™ 或 Firefox®，用于其他操作系统。

有关使用产品的更多信息，请参阅 www.axis.com 上提供的用户手册。

设置对焦和变焦

如果您在摄像机启动期间选择了**用于安装的光学变焦**，则这些指令有效。

1. 转至**设置 > 视频和音频**。
2. 在对焦页面，转至**基础**选项卡。
3. 使用滑块设置**变焦**级别。

备注

在执行自动对焦时，应避免摄像机前面出现移动。

4. 单击**执行自动对焦**。
5. 如结果不能令人满意，请转至**高级**选项卡。

在**高级**选项卡上，可手动调整对焦：

1. 单击**打开光圈**，将光圈打开至最大位置。这样可实现最小的景深并提供最佳的对焦条件。
2. 在**对焦窗口**中设置对焦。使用鼠标移动对焦窗口并调整其大小。
3. 单击**对焦位置**栏，聚焦于所需的位置。
4. 当满意时，单击**启用光圈**启用光圈。

设置对焦和变焦限制

如果您在摄像机启动期间选择了**用于监控的光学变焦**，则这些指令有效。

要为新的预设位置设置对焦和变焦：

1. 转至 **PTZ > 预设位置**，为您首选的摄像机图像区域设置对焦和变焦。
2. 在**当前位置**字段为预设位置输入一个名称，并选择**使用当前位置作为主页**。
3. 单击**添加**，添加当前位置作为预设位置。
4. 在**可用位置**下拉列表中选择您的预设位置。
5. 单击**转至**，在您的预设位置中设置摄像机。
6. 单击**保存**。

设置对焦和变焦限制：

1. 转至**视频和音频 > 对焦和变焦**。
2. 从**变焦限制**下拉列表中选择一個值，以限制摄像机的最大变焦区域。
数字变焦级别以字母 **D** 表示。
3. 要预览变焦限制，单击**转至**该位置。
4. 从**对焦临近限制**下拉列表中选择一個值，以防止摄像机聚焦于距离过近的物体。
5. 单击**保存**。

备注

您仍可在**视频和音频 > 对焦和变焦**中设置对焦和变焦，但在摄像机重启后您的设置不保存。

重置为出厂默认设置

重要

重置为出厂默认设置应慎用。重置为出厂默认设置将把所有设置重置为出厂默认值，包括 IP 地址。

备注

安装和管理软件工具可通过以下网站中的支持页面获取：www.axis.com/techsup

要将产品重置为出厂默认设置，请执行以下操作：

1. 断开产品电源。
2. 按住控制按钮不放，重新连接电源。请参见**硬件概览** 在第120页。
3. 按住控制按钮 15–30 秒的时间，直至 LED 状态指示灯闪烁淡黄色。
4. 松开控制按钮。当 LED 状态指示灯变为绿色时，结束此过程。该产品已重置为出厂时的默认设置。如果网络上没有可用的 DHCP 服务器，则默认的 IP 地址为 192.168.0.90。
5. 借助安装和管理软件工具，分配 IP 地址，设置密码及访问视频流。

也可通过 Web 界面将参数重置为出厂默认设置。访问**设置 > 系统选项 > 维护**，并单击**默认**。

更多信息

- 有关本文档的最新版本，请参见 www.axis.com
- 用户手册可从 www.axis.com 获取
- 要检查是否有产品的可用更新固件，请参见 www.axis.com/support
- 如需有用的在线培训和在线研讨会，请参见 www.axis.com/academy

质保信息

有关安讯士产品质保的信息及相关信息，请转到 www.axis.com/warranty/

