

AXIS Q8752-E Bispectral Network Camera

Repainting Instructions

AXIS Q8752-E Bispectral Network Camera

Impact on warranty

Impact on warranty

This product is approved for repaint by Axis, provided that you follow the instructions in this document and at axis.com/warranty-implication-when-repainting.

Risks with repainting

There are several risks when disassembling or assembling an Axis product. There is always a certain yield loss during assembly. Training of operators and the use of correct tools mediates some of the problems but they can never be fully avoided. Some of the risks include:

ESD Damage – Always handle the product in an ESD safe environment. Even if precautions are taken there is always a risk of ESD damage. The damage can remain undetected and cause problems during the lifetime of the equipment.

Dust contamination – Opening a camera may expose the lens and sensor to dust or paint. Dust will affect the optical performance. Lenses need to be disassembled in a dust-free environment, preferably a cleanroom.

Paint overspray – Masking the different components of the equipment is critical. Failure to mask sensitive areas can cause problems with assembling the equipment. Any areas that are not painted at factory or have a different surface treatment than the rest of the parts (threads, ground and electrical contact surfaces) must also be masked to ensure function.

AXIS Q8752-E Bispectral Network Camera

Repaint the product

Repaint the product

Preparations

- If applicable, disassemble the device according to the instructions in this document.
- Clean all parts to be repainted thoroughly to remove grease, dust, or oil.
- To ensure reassembly and functionality of the product, mask any openings (for example for screws, LED indicators, or microphones) before you paint.

Pretreatment of parts

Depending on the part material and type of paint applied at factory, different pretreatment should be done for the new paint to adhere as well as possible. Clean the parts properly to remove oil, grease and dust.

For more information on the materials used in the product, see its datasheet at axis.com.

Powder coated parts – Use a primer. Alternatively, remove the original powder coating down to the base material, using fine sandpaper, and clean the parts before painting.

Anodised and chromated parts – Use a primer.

Uncoated stainless steel – No special pretreatment is needed, but make sure that the surface is clean before painting.

Plastic – Use a primer.

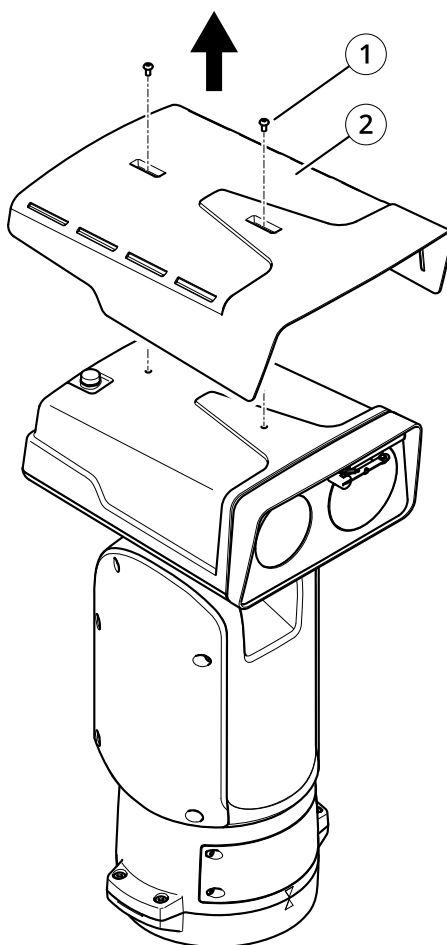
Disassembly

Important

If you remove any other parts than those specified in this document, it means that the ingress protection (IP) rating of your product can't be guaranteed. If you remove any additional parts, it will result in lapse of warranty.

AXIS Q8752-E Bispectral Network Camera

Repaint the product



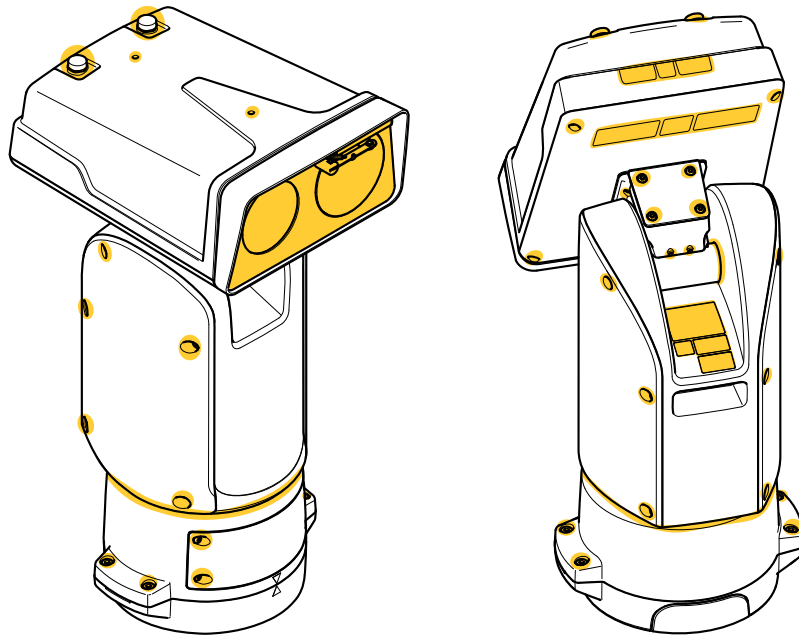
- 1 Weathershield screw (2x)
- 2 Weathershield

1. Remove the weathershield screws.
2. Remove the weathershield.

AXIS Q8752-E Bispectral Network Camera

Repaint the product

Masking



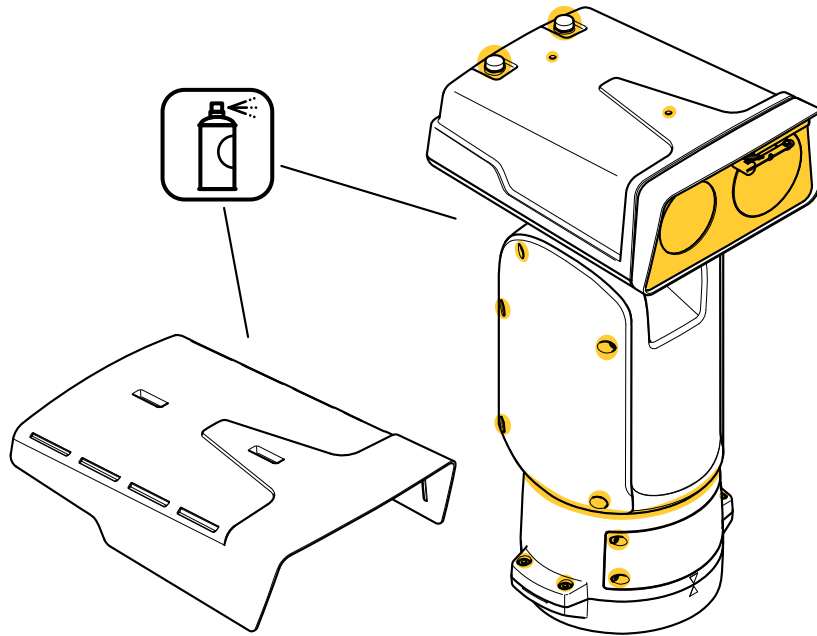
Mask the following parts:

- All visible screws, screw holes and ventilation holes
- Shaft openings in the pan unit
- Opening between the base unit and the pan unit
- Labels and front window (including the wiper)

AXIS Q8752-E Bispectral Network Camera

Repaint the product

Repainting

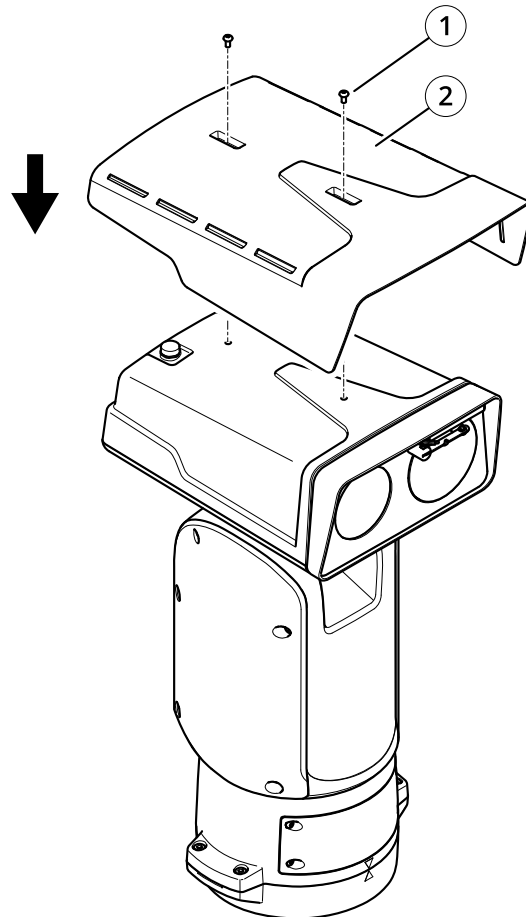


1. Apply a thin and even layer of spray paint according to the instructions of the paint manufacturer, and let the paint dry.
2. If you wish to get a better coverage and clearer color, apply a second layer of spray paint.
3. When the paint is dry, remove the masking.

AXIS Q8752-E Bispectral Network Camera

Repaint the product

Reassembly



- 1 Weathershield screw (2x)
- 2 Weathershield

1. Return the weathershield to it's position.
2. Put back and tighten the weathershield screws (torque 0.8 Nm).

NOTICE

For instructions on how to repaint illuminator brackets, see the product's repainting instructions available at axis.com.

