



AXIS 214 PTZ Network Camera

Installation Guide

ENGLISH

FRANCAIS

DEUTSCH

ESPAÑOL

ITALIANO

AXIS 214 PTZ Network Camera Installation Guide

Please observe the following before installing the AXIS 214 PTZ Network Camera.

- This product is designed for indoor use or in locations where it is protected from rain and moisture. To operate the camera in outdoor conditions, use the outdoor housing accessories.
- Whether the camera is in use or not, the AXIS 214 must always be positioned where it is not exposed to direct sunlight or strong halogen light, which can cause permanent damage to the camera's image sensor. Damage as a result of exposure to strong light is not covered by the Axis warranty.
- Do not use strong or abrasive detergents when cleaning the casing. Use a mild detergent and wipe gently.

Package Contents

Item	Notes
PTZ Network Camera	AXIS 214.
Power adapter	The adapter is country-specific.
Ceiling bracket kit	2 brackets, 6 mounting screws.
Retaining wire	Safety wire.
Connector block	Green 4-pin I/O terminal connector block.
CD	Documentation and software.
Printed Materials	AXIS 214 Installation Guide, Axis Warranty Document.

ENGLISH

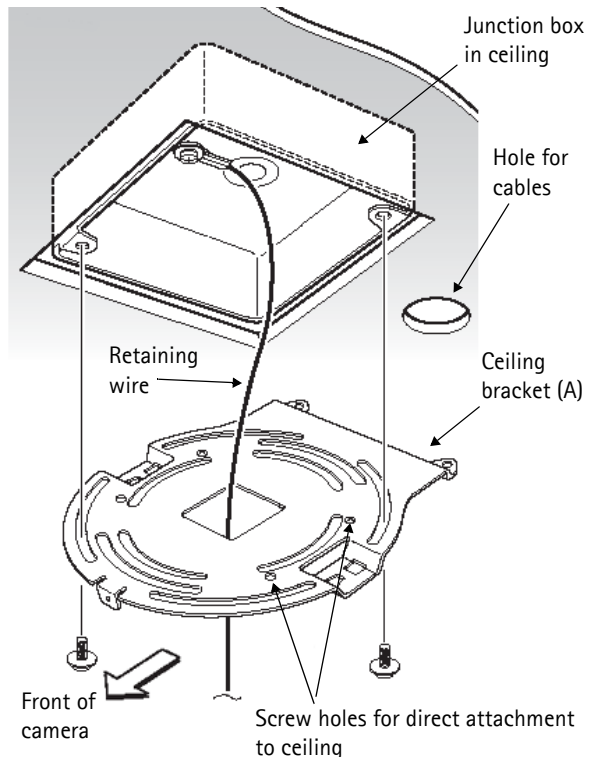
Ceiling mounting

If the AXIS 214 is to be mounted on a ceiling, it is recommended that you set the IP address and get the camera up and running before finally mounting it.

The AXIS 214 PTZ Network Camera is supplied with 2 brackets for ceiling mounting.

1. Using appropriate screws (not supplied), attach the ceiling bracket (A) to a junction box, as shown here. Use the screw slots for easy positioning. Attach the retaining wire if required.

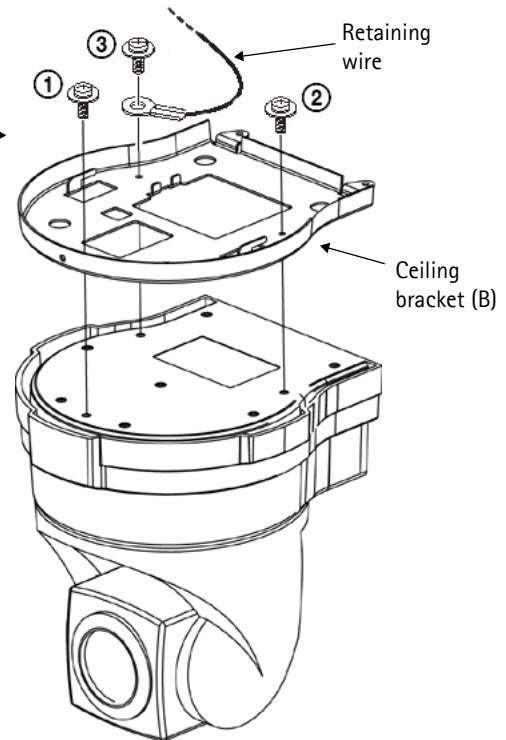
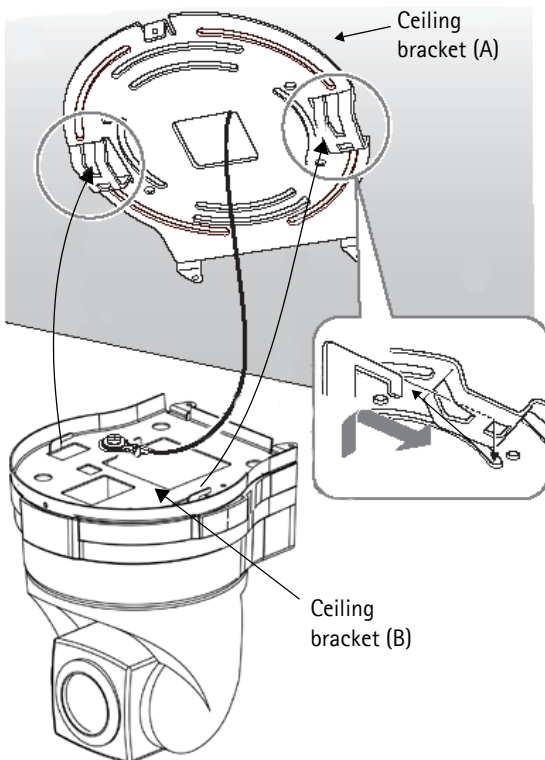
Alternatively, attach the bracket directly to the ceiling, using the 4 screw holes in the centre of the bracket. These screws are not supplied.



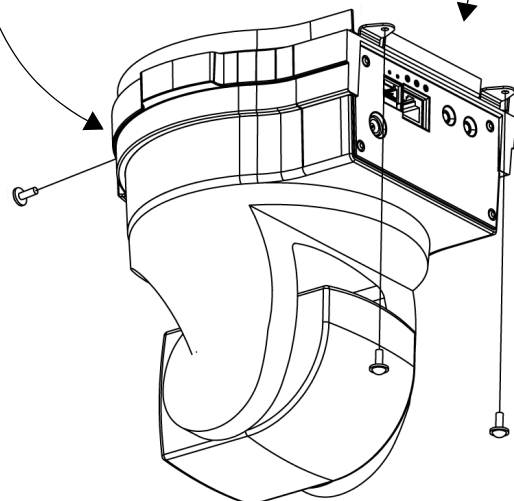
- Attach the second bracket (B) to the base of the camera, using 3 of the supplied screws. The retaining wire should be attached to screw 3.

- Tighten the screws a little at a time in the numbered order shown here, until all are securely fastened.

- Insert the hooks on bracket (B) into the slots on bracket (A) and push bracket (B) back as far as it will go.



- Push up on the front of the camera and fasten it using the supplied screws, starting at the front.
- Connect the power and network cables to the sockets on the rear panel.



Setting the IP address

The AXIS 214 is designed for use on an Ethernet network and must be assigned an IP address to make it accessible.

AXIS IP Utility

AXIS IP Utility is the recommended method for setting an IP address in Windows. This free application can be used on networks with or without a DHCP server. See page 6 for more information.

All installation methods

This table shows all of the available methods for setting or discovering the IP address. Select a method from the left-hand column and check the requirements for it to the right.

Installation methods ↓	Requirements →	DHCP Server in network	Install on same network segment	Internet connection with no HTTP proxy	Operating system
AXIS IP Utility (recommended method) See page 6		Optional	Required		Windows
UPnP™ See page 6		Optional	Required		Windows (ME or XP)
Bonjour See page 6		Optional	Required		Mac OSX (10.4 or later)
AXIS Dynamic DNS Service See page 8		Recommended		Required	All
AXIS Camera Management See page 8		Optional	Required		Windows
View DHCP server admin pages for IP address (See note below)		Required			All

- Notes:**
- UPnP™ and DHCP are both enabled by default in the AXIS 214.
 - The AXIS 214 has the default IP address 192.168.0.90
 - To view the admin pages for the DHCP server, please see the server's own documentation. You may need to contact your network administrator.
 - If setting the IP address fails, check that there is no firewall blocking the operation.
 - Bonjour - applies only to browsers that support it, e.g. Safari. Bonjour is a trademark of Apple Computer, Inc.

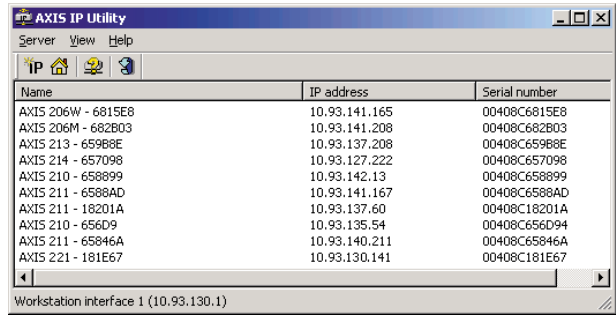
AXIS IP Utility

AXIS IP Utility is a free Windows application that discovers and displays Axis devices on your network.

The application can also be used to manually set a static IP address.

Note that you must install the camera on the same network segment (physical subnet) as the computer running AXIS IP Utility.

AXIS IP Utility is available on the CD supplied with this product, or it can be downloaded from www.axis.com




The screenshot shows the AXIS IP Utility application window with a menu bar (Server, View, Help) and a toolbar. Below the toolbar is a table with three columns: Name, IP address, and Serial number. The table lists several Axis camera models and their corresponding IP addresses and serial numbers. At the bottom of the window, it indicates the workstation interface is 10.93.130.1.

Name	IP address	Serial number
AXIS 206W - 6815E8	10.93.141.165	00408C6815E8
AXIS 206M - 682B03	10.93.141.208	00408C682B03
AXIS 213 - 65988E	10.93.137.208	00408C65988E
AXIS 214 - 657098	10.93.127.222	00408C657098
AXIS 210 - 658899	10.93.142.13	00408C658899
AXIS 211 - 6588AD	10.93.141.167	00408C6588AD
AXIS 211 - 18201A	10.93.137.60	00408C18201A
AXIS 210 - 656D9	10.93.135.54	00408C656D94
AXIS 211 - 65846A	10.93.140.211	00408C65846A
AXIS 221 - 181E67	10.93.130.141	00408C181E67

Automatic discovery

1. Check that the camera is connected to the network and that power has been applied.
2. Start AXIS IP Utility. When the camera appears in the window, double-click it to open the home page.
3. See page 8 for instructions on how to set the password.

Set the IP address manually

1. Acquire an unused IP address on the same network segment your computer is connected to. Locate the serial number (S/N) on the camera's underside label.
2. Click the button  (Set IP address using serial number) and enter the serial number and IP address for the camera.
3. Click the Set IP button and then restart the camera (within 2 minutes).
4. Click View Home Page to access the camera's web pages.
5. See page 8 for instructions on how to set the password.

Note:

AXIS IP Utility can be used to change a dynamically set IP address to a static one.

AXIS Camera Management

AXIS Camera Management is a powerful and efficient installation and management tool specially designed for use with Axis video products. Using standard network protocols and methods, the tool can automatically find and set IP addresses, show connection status and manage firmware upgrades of multiple Axis video products. AXIS Camera Management is free of charge and is available on the CD included with this product, or from www.axis.com

UPnP™

UPnP™ functionality is enabled by default in the AXIS 214. If also enabled on your computer (Windows ME or XP), the camera will automatically be detected and a new icon will be added to “My Network Places.” Click this icon to access the camera. See also page 8 for instructions on how to set the password.

Note:

To install the UPnP™ service on your computer, open the Control Panel from the **Start Menu** and open **Add/Remove Programs**. Select **Add/Remove Windows Components** and open the **Networking Services** section. Click **Details** and then select **UPnP** as the service to add.

UPnP™ is a certification mark of the UPnP™ Implementers Corporation.

ENGLISH

Bonjour

Bonjour will automatically discover the AXIS 214 when it is connected to the network. Simply navigate to the Bonjour bookmark in your browser (e.g. Safari) and click on the camera link to access the web pages. See page 8 for instructions on how to set the password.

Manual Installation with ARP/Ping

1. Acquire an unused IP address on the same network segment as your computer.
2. Locate the serial number (S/N) on the camera’s underside label.
3. Open a Command Prompt on your computer. As appropriate for your operating system, enter the following commands:

Windows syntax:	Windows example:
arp -s <IP Address> <Serial Number> ping -l 408 -t <IP Address>	arp -s 192.168.0.125 00-40-8c-18-10-00 ping -l 408 -t 192.168.0.125
UNIX/Linux/Mac syntax:	UNIX/Linux/Mac example:
arp -s <IP Address> <Serial Number> temp ping -s 408 <IP Address>	arp -s 192.168.0.125 00:40:8c:18:10:00 temp ping -s 408 192.168.0.125

4. Check that the network cable is connected. Start/restart the camera by disconnecting and reconnecting power, which must be done within 2 minutes of entering the ARP command.
5. Close the Command prompt when you see ‘Reply from 192.168.0.125: ...’ or similar.
6. Start your browser, type in http://<IP address> in the Location/Address field and press **Enter** on your keyboard.
7. See page 8 for instructions on how to set the password.

- Notes:**
- To open a command prompt in Windows: from the Start menu, select Run... and type cmd (or command in Windows 98/ME). Click OK.
 - To use the ARP command on a Mac OS X, use the Terminal utility, which is found under Applications > Utilities.

The AXIS Internet Dynamic DNS Service

The AXIS Internet Dynamic DNS Service is a free service provided by Axis. The service allows you to quickly and simply install your camera, which then receives a static name (DNS name) and a dynamic IP address. More information about the AXIS Internet Dynamic DNS Service is available at www.axiscam.net

To perform this procedure, your network should have an Internet connection with no HTTP proxy, and IP addresses should preferably be assigned via DHCP.

1. Connect the AXIS 214 to your local network, using a standard network cable.
2. Connect power to the camera.
3. Wait 60 seconds and, using a suitably pointed object, push the reset button on the underside of the camera once.
4. Visit www.axiscam.net where you will be guided through the remainder of the installation. Please have the serial number of your product ready and follow the instructions on the screen.

The serial number/MAC address (S/N) is located on the label on the underside of the AXIS 214.

5. Enter a password for the root user (administrator).
6. If required, accept the installation of AMC onto your workstation. See *AXIS Media Control (AMC)*, on page 9 for more information.
7. The installation is now complete.

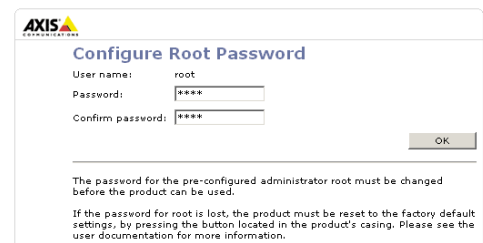
Note:

Please note that this procedure will send the IP address, firmware version, product type, serial number and HTTP port number of the PTZ network camera to the AXIS Internet Dynamic DNS Service. No personal information is transferred.

To remove the DNS name and unregister from this service, open the Setup pages in the PTZ network camera, click **System Options > Network > TCP/IP > Basic**, click the **Settings** button for the AXIS Internet Dynamic DNS Service and finally, click the **Remove** button.

Setting the Password

1. When accessing the AXIS 214 for the first time, the **Configure Root Password** dialog will be displayed on the screen.
2. Enter a password and then re-enter it, to confirm the spelling. Click **OK**.



AXIS
Configure Root Password

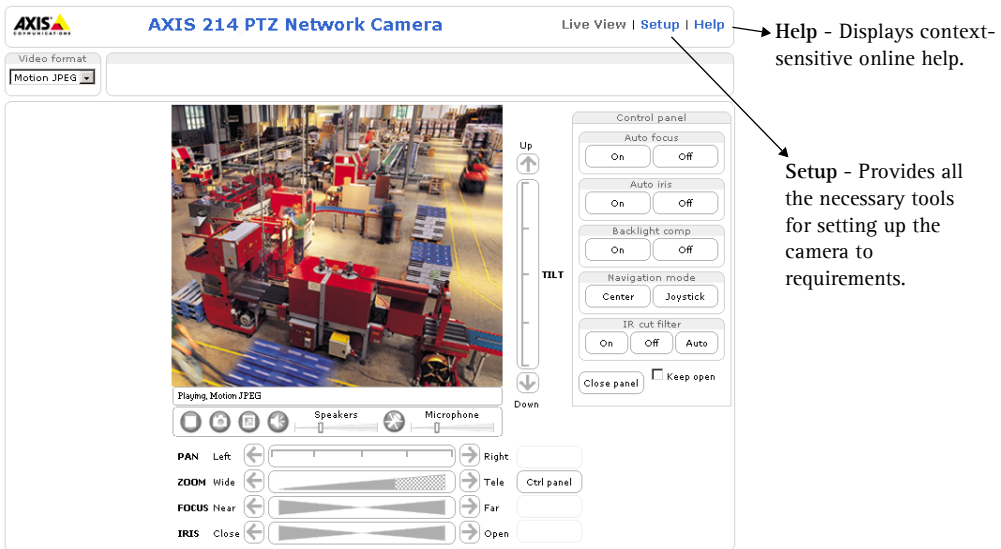
User name: root
Password: ****
Confirm password: ****

OK

The password for the pre-configured administrator root must be changed before the product can be used.

If the password for root is lost, the product must be reset to the factory default settings, by pressing the button located in the product's casing. Please see the user documentation for more information.

3. The **Enter Network Password** dialog will appear. Enter the User name: **root**
Note: The default administrator user name **root** is permanent and cannot be deleted.
4. Enter the password as set in step 2 above, and click **OK**. If the password is lost, the AXIS 214 must be reset to the factory default settings. See page 10.
5. If required, click **Yes** to install AMC (AXIS Media Control), to allow viewing of the video stream in Microsoft Internet Explorer. You will need administrator rights on the computer to do this.
6. The **Live View** page of the AXIS 214 is displayed, complete with links to the Setup tools, which allow you to customize the camera to your specific needs.



ENGLISH

AXIS Media Control (AMC)

AXIS Media Control (AMC) is an ActiveX component for providing support for audio and viewing video streams in Microsoft Internet Explorer. AMC is installed automatically on first use.

Once AMC is installed, the AMC viewer toolbar will display audio and video controls on the Live View page.

If your working environment restricts additional software components, you can configure your AXIS 214 to use a Java applet for updating images (applies only to video images, not audio). See the online help files under **Live View Config > Layout > Default Viewer** for Internet Explorer. Alternatively, use another supported Web browser.

Accessing the AXIS 214 from the Internet

Once installed, your PTZ network camera is accessible on your local network (LAN). To access the PTZ network camera from the Internet, network routers must be configured to allow incoming traffic, which is usually done on a specific port. Please refer to the documentation for your router for further instructions.

For more information on this and other topics, please visit the Axis Support Web at www.axis.com/techsup

Resetting to the factory default settings

This will reset all parameters, including the IP address, to the Factory Default settings:

1. Disconnect power from the camera.
2. Press and hold the Reset button (on the underside of the camera) and reconnect power.
3. Keep the button pressed for 15 seconds, and then release it.
4. Re-install the camera using one of the methods described in this document.

Further information

For further information, please see the AXIS 214 User's Manual, which is available on the CD included in this package. Updated versions can be obtained from www.axis.com

AXIS 214 Caméra réseau PTZ

Guide d'installation

Observez les consignes suivantes avant d'installer la caméra réseau PTZ AXIS 214.

- Ce produit est conçu pour une utilisation intérieure seulement ou dans des lieux protégés de la pluie et de l'humidité. Pour une utilisation en extérieur, servez-vous des housses prévues.
- La caméra AXIS 214 ne doit jamais être exposée directement aux rayons du soleil ou à une forte lumière halogène pouvant endommager de façon permanente le capteur d'image de la caméra. La garantie d'Axis ne couvre pas les dommages suite à une exposition à une forte lumière.
- Ne pas utiliser de détergents abrasifs ou agressifs. Utiliser un nettoyeur doux.

Contenu de l'emballage

Article	Remarques
Caméra réseau PTZ	AXIS 214.
Transformateur	Le transformateur varie d'un pays à l'autre.
Kit de supports pour plafond	2 supports, 6 vis de montage.
Fil de contention	Fil de sécurité.
Connecteurs	Connecteurs pour terminaux E/S à 4 broches verts.
CD	Documentation et logiciel.
Documentation imprimée	AXIS 214 Guide d'installation, document de garantie d'Axis.

FRANCAIS

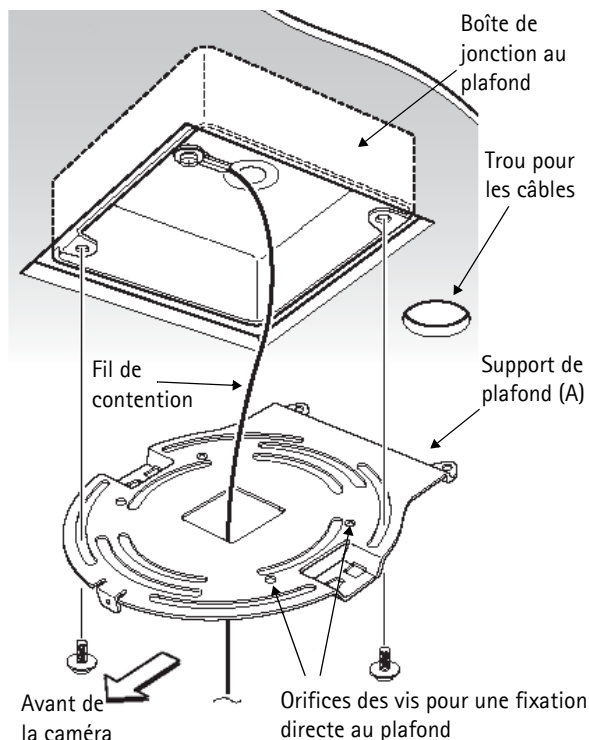
Montage au plafond

Si la caméra AXIS 214 doit être fixée au plafond, il est recommandé de définir l'adresse IP et de faire fonctionner la caméra avant le montage.

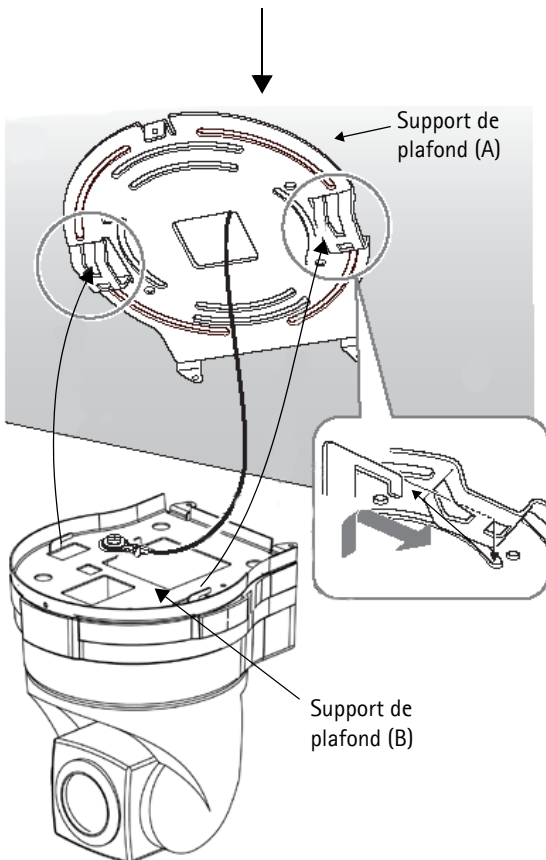
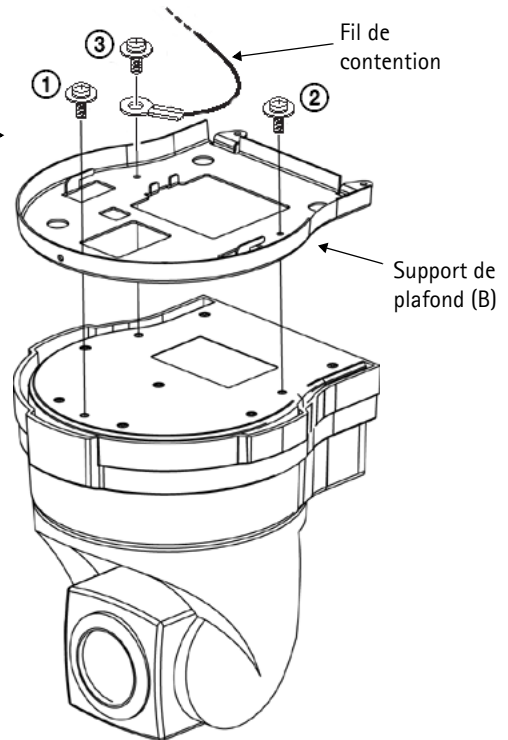
La caméra réseau PTZ AXIS 214 est fournie avec 2 supports de montage pour plafond.

1. Avec les vis adéquates (non fournies), fixez le support de plafond (A) à une boîte de jonction, comme dans l'illustration. Utilisez les emplacements des vis. Fixez le fil de contention si besoin est.

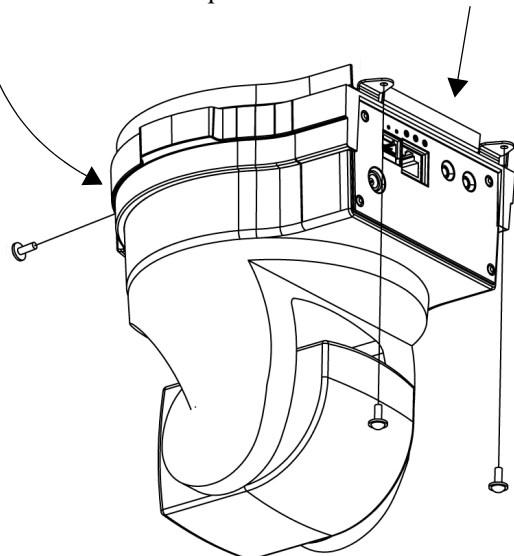
Ou, fixez le support directement au plafond à l'aide des 4 orifices pour vis situés au centre du support. Ces vis ne sont pas fournies.



2. Fixez le second support (B) à la base de la caméra à l'aide de 3 des vis fournies. Le fil de contention doit être fixé à la vis 3.
3. Serrez les vis petit à petit dans l'ordre numéroté illustré jusqu'à ce qu'elles soient complètement serrées.
4. Insérez les crochets sur le support (B) dans les trous du support (A) et poussez le support (B) à fond vers l'arrière jusqu'à la butée.



5. Poussez l'avant de la caméra vers le haut et fixez-la à l'aide des vis fournies, en commençant par l'avant.
6. Branchez les câbles d'alimentation et réseau aux prises situées à l'arrière.



Définition de l'adresse IP

La caméra AXIS 214 a été conçue pour être utilisée sur un réseau Ethernet et doit se voir attribuer une adresse IP pour être accessible.

Application AXIS IP Utility

Nous recommandons l'utilisation de l'application AXIS IP Utility pour la définition d'une adresse IP sous Windows. Cette application gratuite peut être utilisée sur des réseaux avec ou sans serveur DHCP. Reportez-vous à la page 14 pour plus d'informations.

Toutes les méthodes d'installation

Ce tableau reprend toutes les méthodes disponibles permettant de définir ou de déterminer l'adresse IP. Sélectionnez une méthode dans la colonne de gauche et vérifiez-en les conditions. dans la colonne de droite.

Configuration →				
Méthodes d'installation ↓	Serveur DHCP dans le réseau	Installation sur le même segment de réseau	Connexion Internet sans proxy HTTP	Système d'exploitation
Application AXIS IP Utility (méthode recommandée) Voir page 14	En option	Nécessaire		Windows
UPnP™ Voir page 14.	En option	Nécessaire		Windows (ME ou XP)
Bonjour Voir page 14	En option	Nécessaire		Mac OSX (10.4 ou version ultérieure)
AXIS Dynamic DNS Service Voir page 16	Recommandé		Nécessaire	Tous
AXIS Camera Management Voir page 16	En option	Nécessaire		Windows
Consultez les pages administratives du serveur DHCP pour l'adresse IP (Voir remarque ci-dessous)	Nécessaire			Tous

FRANCAIS

- Remarques :**
- UPnP™ et DHCP sont tous deux activés par défaut dans la caméra AXIS 214.
 - L'adresse IP par défaut de la caméra AXIS 214 est 192.168.0.90
 - Pour consulter les pages administratives du serveur DHCP, veuillez vous référer à la documentation du serveur. Il est possible que vous deviez contacter l'administrateur de votre réseau.
 - En cas d'échec de la définition de l'adresse IP, vérifiez qu'aucun pare-feu ne bloque l'opération.
 - Bonjour - s'applique uniquement aux navigateurs qui le prennent en charge, dont Safari. Bonjour est une marque de Apple Computer, Inc.

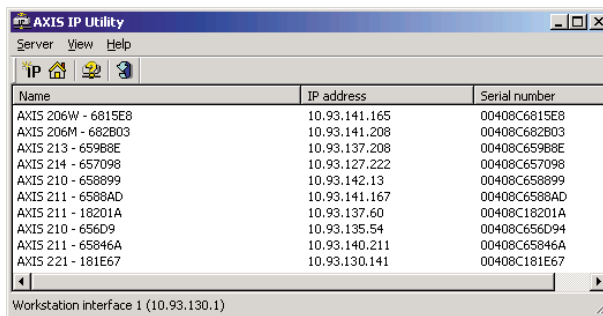
Application AXIS IP Utility

L'utilitaire Application AXIS IP Utility est une application Windows gratuite servant à détecter et afficher les périphériques Axis sur votre réseau.

Cette application sert également à définir manuellement une adresse IP statique.

Notez que vous devez installer la caméra sur le même segment de réseau (sous-réseau physique) que l'ordinateur exécutant l'application AXIS IP Utility.

L'application Application AXIS IP Utility est disponible sur le CD fourni avec ce produit ou peut être téléchargée sur www.axis.com



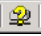
Name	IP address	Serial number
AXIS 206W - 6815E8	10.93.141.165	00408C6815E8
AXIS 206M - 682B03	10.93.141.208	00408C682B03
AXIS 213 - 659B8E	10.93.137.208	00408C659B8E
AXIS 214 - 657098	10.93.127.222	00408C657098
AXIS 210 - 658899	10.93.142.13	00408C658899
AXIS 211 - 6588AD	10.93.141.167	00408C6588AD
AXIS 211 - 18201A	10.93.137.60	00408C18201A
AXIS 210 - 656D9	10.93.135.54	00408C656D94
AXIS 211 - 65846A	10.93.140.211	00408C65846A
AXIS 221 - 181E67	10.93.130.141	00408C181E67

Workstation interface 1 (10.93.130.1)

Détection automatique

1. Vérifiez que la caméra est connectée au réseau et que l'alimentation est activée..
2. Démarrez AXIS IP Utility. Double-cliquez sur l'icône de la caméra lorsqu'elle apparaît dans la fenêtre de façon à en ouvrir la page d'accueil.
3. Consultez la page 16 pour savoir comment définir le mot de passe.

Définissez manuellement l'adresse IP.

1. Trouvez une adresse IP inutilisée sur le même segment de réseau que celui de votre ordinateur. Repérez le numéro de série (N/S) sur l'étiquette située sous la caméra.
2. Cliquez sur le bouton  (Set IP address using serial number) (Paramétrer l'adresse IP en utilisant le numéro de série) puis saisissez le numéro de série et l'adresse IP de la caméra.
3. Cliquez sur le bouton Set IP (Paramétrer IP) puis redémarrez la caméra dans les 2 minutes).
4. Cliquez sur **Afficher page d'accueil** pour accéder aux pages Web de la caméra.
5. Consultez la page 16 pour savoir comment définir le mot de passe.

Remarque :

AXIS IP Utility peut servir à transformer une adresse IP dynamique en une adresse IP statique.

AXIS Camera Management

AXIS Camera Management est un outil de gestion et d'installation efficace et performant conçu spécialement pour les appareils vidéo Axis. À l'aide de protocoles et de méthodes conventionnels, il détecte et définit automatiquement les adresses IP, affiche les états de connexion et gère les mises à niveau de microprogrammes de nombreux produits Axis. AXIS Camera Management est fourni gratuitement sur le CD inclus avec ce produit ou est téléchargeable à l'adresse www.axis.com

UPnP™

La fonction UPnP™ est activée par défaut dans la caméra AXIS 214. Si elle est aussi activée sur votre ordinateur (Windows ME ou XP), la caméra sera automatiquement détectée et une nouvelle icône sera ajoutée à « Mes emplacements réseau ». Cliquez sur cette icône pour accéder à votre caméra. Consultez également la page 16 pour savoir comment définir le mot de passe.

Remarque :

Pour installer le service UPnP™ sur votre ordinateur, ouvrez le Panneau de configuration depuis le menu **Démarrer** et sélectionnez **Ajout/suppression de programmes**. Sélectionnez **Ajouter/Supprimer des composants Windows** et ouvrez la section **Services de mise en réseau**. Cliquez sur **Détails**, puis sélectionnez **UPnP** comme service à ajouter.

UPnP™ est une marque de certification de UPnP™ Implementers Corporation.

Bonjour

Bonjour™ détectera automatiquement la caméra AXIS 214 dès qu'elle sera connectée au réseau. Accédez simplement au raccourci de Bonjour dans votre navigateur (exemple Safari) et cliquez sur le lien de la caméra pour accéder aux pages Web. Consultez la page 16 pour savoir comment définir le mot de passe.

Installation manuelle avec ARP/Ping

1. Trouvez une adresse IP inutilisée sur le même segment de réseau que celui de votre ordinateur.
2. Repérez le numéro de série (S/N) sur l'étiquette située sous la caméra.
3. Ouvrez une invite de commande sur votre ordinateur. En fonction de votre système d'exploitation, entrez les commandes suivantes :

Syntaxe pour Windows :	Exemple pour Windows :
arp -s <adresse IP> <numéro de série> ping -l 408 -t <adresse IP>	arp -s 192.168.0.125 00-40-8c-18-10-00 ping -l 408 -t 192.168.0.125
Syntaxe pour UNIX/Linux/Mac :	Exemple pour UNIX/Linux/Mac :
arp -s <adresse IP > <numéro de série> temp ping -s 408 <adresse IP>	arp -s 192.168.0.125 00:40:8c:18:10:00 temp ping -s 408 192.168.0.125

4. Vérifiez que le câble réseau est branché. Démarrez/redémarrez la caméra en débranchant/rebranchant l'alimentation. Cette opération doit avoir lieu dans les 2 minutes qui suivent la saisie de la commande ARP.
5. Fermez la commande d'invite quand vous voyez « Reply from 192.168.0.125 » : ...' Autre possibilité :
6. Démarrez votre navigateur, tapez http://<adresse IP> dans le champ Emplacement/Adresse et appuyez sur Entrée sur le clavier.
7. Consultez la page 16 pour savoir comment définir le mot de passe.

Remarques :

- Pour ouvrir une invite de commande dans Windows : dans le menu Démarrer, sélectionnez Exécuter... et tapez cmd (ou commande sous Windows 98/ME). Cliquez sur OK.
- Pour utiliser la commande ARP sur Mac OS X, utilisez l'utilitaire Terminal, disponible sous Application > Utilitaires.

AXIS Internet Dynamic DNS Service

AXIS Internet Dynamic DNS Service est un service gratuit d'Axis. Ce service vous permet d'installer facilement et rapidement votre caméra qui reçoit alors un nom statique (nom DNS) et une adresse IP dynamique. Davantage d'informations sur l'AXIS Internet Dynamic DNS Service sont disponibles sur le site www.axiscam.net

Pour effectuer cette procédure, votre réseau doit disposer d'une connexion Internet sans proxy HTTP. L'affectation des adresses IP doit, quant à elle, avoir lieu de préférence via DHCP.

1. Connectez votre AXIS 214 à votre réseau local à l'aide d'un câble de réseau standard.
2. Connectez l'alimentation à la caméra.
3. Patientez 1 minute puis, avec un objet adéquat, poussez le bouton de réinitialisation sous la caméra une fois.
4. Visitez le site www.axiscam.net où vous serez guidé pour l'exécution des dernières phases de l'installation. Munissez-vous du numéro de série de votre produit et suivez les instructions qui s'affichent à l'écran.

Le numéro de série/adresse MAC (S/N) se trouve sur l'étiquette collée sur la partie inférieure de la caméra AXIS 214.

5. Entrez un mot de passe pour l'utilisateur root (administrateur).
6. Le cas échéant, acceptez l'installation de AMC sur votre station de travail. Reportez-vous à la *AXIS Media Control (AMC)*, à la page 17 pour plus d'informations.
7. L'installation est terminée.

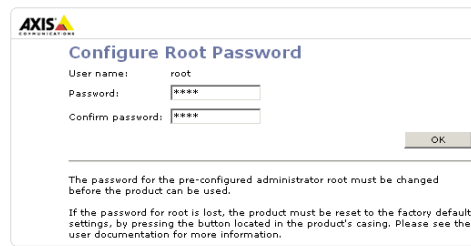
Remarque :

Remarquez que cette procédure enverra l'adresse IP, la version du microprogramme, le type du produit, le numéro de série et le numéro du port http de la caméra Caméra réseau PTZ à Axis Internet Dynamic DNS Service. Aucune information personnelle n'est transmise.

Pour retirer le nom DNS et annuler l'enregistrement à ce service, ouvrez les pages Setup sur la Caméra réseau PTZ, cliquez sur **System Options > Network > TCP/IP > Basic**, puis cliquez sur le bouton **Settings** de AXIS Internet Dynamic DNS Service et enfin sur le bouton **Remove**.

Définition du mot de passe

1. Si vous accédez à la caméra AXIS 214 pour la première fois, la fenêtre de dialogue « **Configure Root Password** » s'affiche à l'écran.
2. Entrez un mot de passe et entrez-le une seconde fois pour en confirmer l'orthographe. Cliquez sur **OK**.



Configure Root Password

User name: root

Password: ****

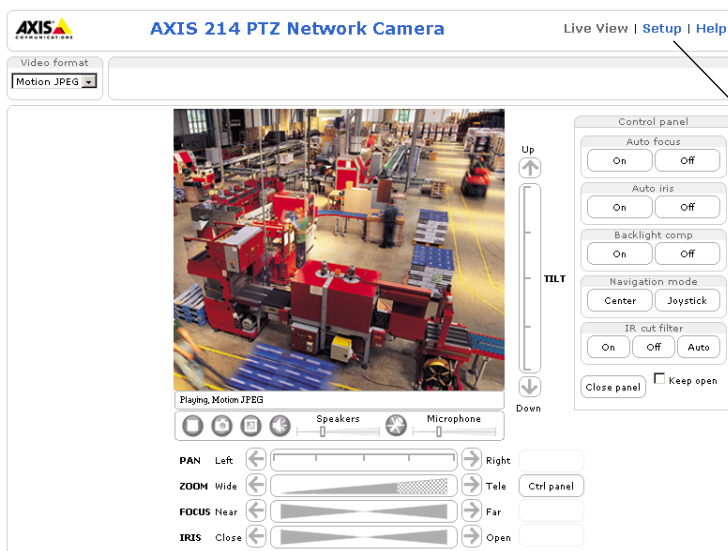
Confirm password: ****

OK

The password for the pre-configured administrator root must be changed before the product can be used.

If the password for root is lost, the product must be reset to the factory default settings, by pressing the button located in the product's casing. Please see the user documentation for more information.

3. La boîte de dialogue « Enter Network Password » s'affiche. Entrez le nom d'utilisateur : **root**
Remarque : le nom d'utilisateur par défaut de l'administrateur, à savoir **root**, est permanent et ne peut pas être supprimé.
4. Entrez le mot de passe comme expliqué à l'étape 2 et cliquez sur **OK**. Si vous avez oublié votre mot de passe, vous devrez rétablir les paramètres d'usine de la caméra AXIS 214. Reportez-vous à la page 18.
5. Si nécessaire, cliquez sur **Oui** pour installer AMC (Axis Media Control) afin de pouvoir visualiser le flot vidéo dans Microsoft Internet Explorer. Pour ce faire, vous devrez être connecté à votre ordinateur avec les droits d'administrateur.
6. La page Live View de la caméra AXIS 214 s'affiche, avec des liens vers les outils de configuration pour adapter la caméra à vos besoins.



→ Aide - aide en ligne contextuelle.

→ Setup - contient tous les outils nécessaires pour adapter la caméra à vos besoins.

AXIS Media Control (AMC)

AXIS Media Control (AMC) est un composant ActiveX pour la prise en charge audio et la visualisation du flot vidéo dans Microsoft Internet Explorer. AMC est automatiquement installé lors de la première utilisation.

Dès que l'AMC est installé, la barre d'outils de la visionneuse AMC propose des commandes audio et vidéo dans la page Live View.

Si votre environnement de travail limite les composants logiciels supplémentaires, vous pouvez configurer votre AXIS 214 pour utiliser un applet Java pour mettre à jour les images (uniquement pour la vidéo, pas l'audio). Reportez-vous au fichier d'aide sous **Live View Config > Layout > Default Viewer for Internet Explorer** pour de plus amples informations. Vous pouvez également utiliser un autre navigateur Web pris en charge.

Accès à la caméra AXIS 214 depuis Internet

Une fois installée, votre caméra Caméra réseau PTZ est accessible depuis votre réseau local (LAN). Pour accéder à la Caméra réseau PTZ depuis Internet, vous devez configurer les routeurs réseau afin d'autoriser l'entrée de données, ce qui se fait généralement sur un port spécifique. Consultez la documentation de votre routeur pour obtenir davantage d'instructions.

Pour de plus amples informations, visitez le site de support d'Axis sur www.axis.com/techsup

Rétablissement des paramètres par défaut définis en usine

Procédez comme suit pour revenir aux paramètres par défaut définis en usine et réinitialiser l'adresse IP :

1. Débranchez l'alimentation de la caméra.
2. Maintenez enfoncé le bouton de réinitialisation (sous la caméra) et rebranchez l'alimentation.
3. Maintenez le bouton enfoncé pendant 15 secondes puis relâchez-le.
4. Réinstallez la caméra à l'aide d'une des méthodes d'installation décrites dans ce document.

Plus d'informations

Pour davantage d'informations, consultez le Manuel de l'utilisateur de la caméra AXIS 214 disponible sur le CD fourni. Des versions mises à jour sont disponibles sur www.axis.com

AXIS 214 PTZ-Netzwerkamera

Installationsanleitung

Lesen Sie die folgenden Hinweise aufmerksam durch, bevor Sie die AXIS 214 PTZ-Netzwerkamera installieren.

- Dieses Produkt ist für die Verwendung in Innenräumen bzw. in Umgebungen vorgesehen, die vor Regen und Feuchtigkeit geschützt sind. Für den Betrieb unter Außenbedingungen verwenden Sie bitte das entsprechende Zubehör.
- Die AXIS 214 muss grundsätzlich so aufgestellt werden, dass sie keiner direkten Sonneneinstrahlung oder starkem Halogenlicht ausgesetzt ist, da dies zu dauerhaften Schäden am Bildsensor führen kann. Die Garantie von Axis erstreckt sich nicht auf Beschädigungen infolge zu starker Lichteinstrahlung.
- Verwenden Sie zum Reinigen des Gehäuses keine scharfen oder scheuernden Reinigungsmittel. Verwenden Sie ein mildes Reinigungsmittel, und wischen Sie das Gehäuse vorsichtig ab.

Lieferumfang

Komponente	Hinweise
PTZ-Netzwerkamera	AXIS 214
Netzadapter	Der Adapter ist landesspezifisch.
Deckenhalterungssatz	2 Halterungen, 6 Schrauben
Haltekabel	Sicherungskabel
Anschlussleiste	Grüne 4-polige E/A-Anschlussleiste
CD	Dokumentation und Software
GEDRUCKTE DOKUMENTE	AXIS 214 Installationshandbuch, Axis-Garantierklärung

DEUTSCH

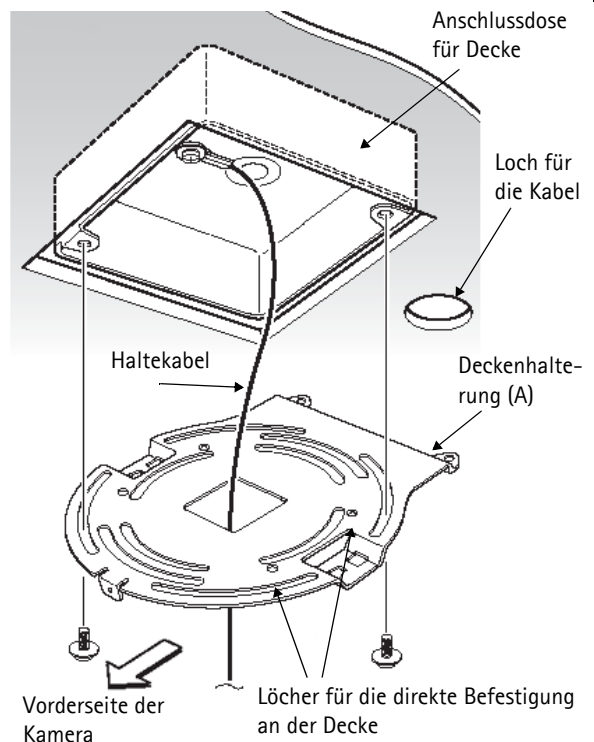
Deckenmontage

Wenn die AXIS 214 an der Decke montiert werden soll, sollten Sie vor der abschließenden Montage die IP-Adresse festlegen und die Kamera einrichten und in Betrieb nehmen.

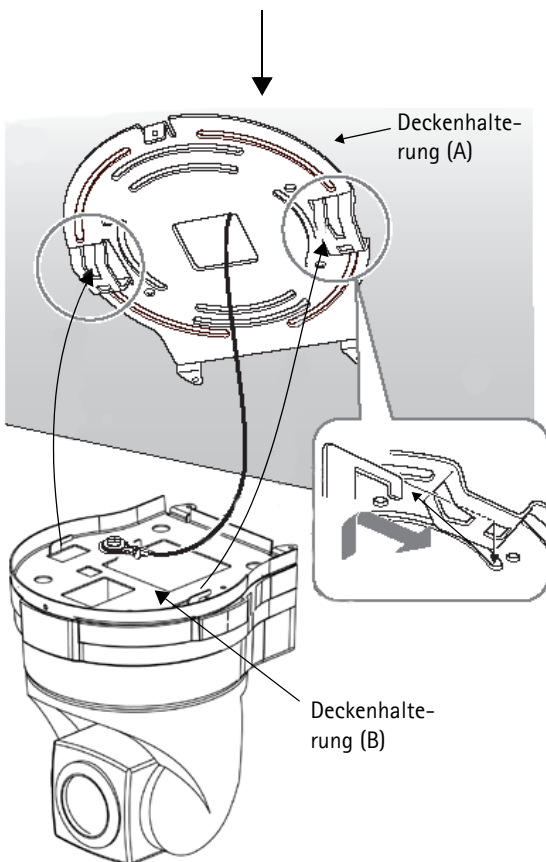
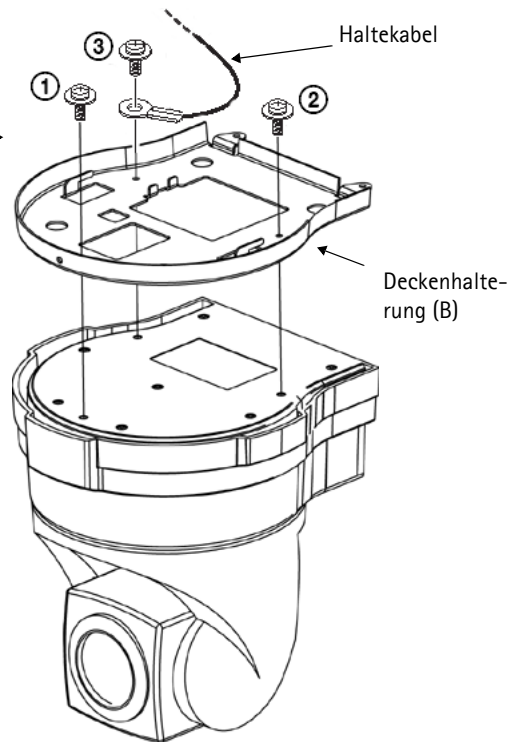
Im Lieferumfang der AXIS 214 PTZ-Netzwerkamera sind 2 Halterungen für die Deckenmontage enthalten.

1. Befestigen Sie die Deckenhalterung (A) mit geeigneten Schrauben (nicht mitgeliefert) an einer Anschlussdose, wie in der Abbildung dargestellt. Verwenden Sie für die einfache Montage die Schlitzlöcher für die Schrauben. Bringen Sie bei Bedarf das Haltekabel an.

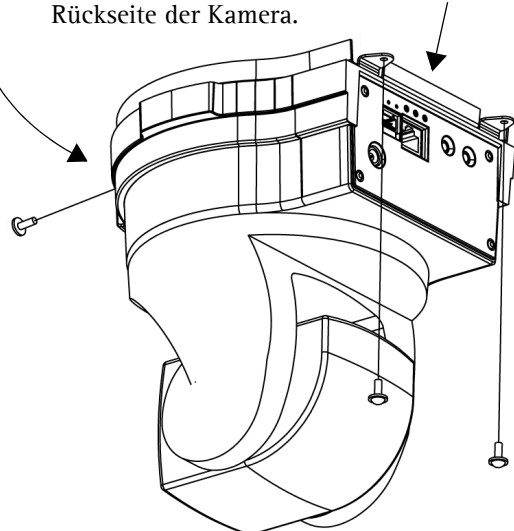
Sie können die Halterung auch direkt an der Decke befestigen. Verwenden Sie dazu die 4 Löcher in der Mitte der Halterung. Die entsprechenden Schrauben sind nicht im Lieferumfang enthalten.



2. Befestigen Sie die zweite Halterung (B) mit den mitgelieferten Schrauben an der Unterseite der Kamera. Das Haltekabel wird an Schraube 3 angebracht.
3. Ziehen Sie die Schrauben in der durch die Zahlen angegebenen Reihenfolge jeweils Stück für Stück an, bis alle Schrauben befestigt sind.
4. Stecken Sie die Haken an Halterung (B) in die Schlitz an Halterung (A) ein, und schieben Sie Halterung (B) so weit wie möglich zurück.



5. Drücken Sie die Vorderseite der Kamera hoch, und befestigen Sie sie mit den mitgelieferten Schrauben. Beginnen Sie dabei vorn.
6. Verbinden Sie das Stromkabel und das Netzkabel mit den Buchsen auf der Rückseite der Kamera.



IP-Adresse festlegen

Die AXIS 214 ist für die Verwendung in einem Ethernet-Netzwerk vorgesehen. Für den Zugriff auf die Kamera muss dieser eine IP-Adresse zugewiesen werden.

AXIS IP Utility

Es wird empfohlen, die IP-Adresse unter Windows mit Hilfe des Dienstprogramms AXIS IP Utility festzulegen. Dieses kostenlose Programm kann in Netzwerken mit oder ohne DHCP-Server verwendet werden. Weitere Informationen hierzu finden Sie auf Seite 22.

Alle Installationsmethoden

Diese Tabelle bietet einen Überblick über die verfügbaren Methoden zum Festlegen bzw. Ermitteln der IP-Adresse. Wählen Sie in der linken Spalte eine Methode, und prüfen Sie die Anforderungenrechts davon.

Anforderungen ↓ Installations- methoden	DHCP-Server im Netzwerk	Installation im gleichen Netzwerkseg- ment	Internetverbin- dung ohne HTTP- Proxy	Betriebssystem
AXIS IP Utility (empfohlene Methode) Siehe Seite 22	Optional	Erforderlich		Windows
UPnP™ Siehe Seite 22	Optional	Erforderlich		Windows (ME oder XP)
Bonjour Siehe Seite 22	Optional	Erforderlich		Mac OS X (ab Vers. 10.4)
AXIS Dynamic DNS Service Siehe Seite 24	Empfohlen		Erforderlich	Alle
AXIS Camera Management Siehe Seite 24	Optional	Erforderlich		Windows
Auf den Administrationsseiten des DHCP-Servers die IP- Adresse ermitteln (siehe Hinweis unten)	Erforderlich			Alle

- Hinweise:**
- Sowohl UPnP™ als auch DHCP sind in der AXIS 214 standardmäßig aktiviert.
 - Die Standard-IP-Adresse der AXIS 214 lautet 192.168.0.90.
 - Wie Sie die Administrationsseiten des DHCP-Servers anzeigen, entnehmen Sie der Serverdokumentation. Wenden Sie sich ggf. an Ihren Netzwerkadministrator.
 - Falls ein Festlegen der IP-Adresse nicht möglich ist, muss überprüft werden, ob die Datenübertragung nicht durch eine Firewall blockiert wird.
 - Bonjour: setzt voraus, dass ein Browser Bonjour unterstützt, z. B. Safari. Bonjour ist ein Warenzeichen von Apple Computer, Inc.

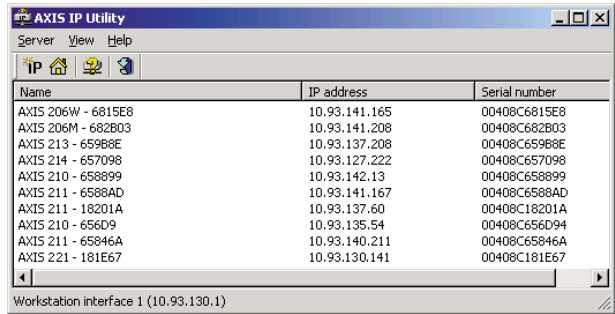
AXIS IP Utility

AXIS IP Utility ist eine kostenlose Windows-Anwendung, mit der Axis-Geräte im Netzwerk erkannt und angezeigt werden.

Die Anwendung kann außerdem zum manuellen Festlegen einer statischen IP-Adresse verwendet werden.

Die Kamera muss im gleichen Netzwerksegment (physisches Subnetz) installiert sein wie der Computer, auf dem AXIS IP Utility ausgeführt werden soll.

AXIS IP Utility befindet sich auf der im Lieferumfang enthaltenen CD und kann auch aus dem Internet heruntergeladen werden (www.axis.com).




Name	IP address	Serial number
AXIS 206W - 6815E8	10.93.141.165	00408C6815E8
AXIS 206M - 682B03	10.93.141.208	00408C682B03
AXIS 213 - 659B8E	10.93.137.208	00408C659B8E
AXIS 214 - 657098	10.93.127.222	00408C657098
AXIS 210 - 658899	10.93.142.13	00408C658899
AXIS 211 - 6588AD	10.93.141.167	00408C6588AD
AXIS 211 - 18201A	10.93.137.60	00408C18201A
AXIS 210 - 656D9	10.93.135.54	00408C656D94
AXIS 211 - 65846A	10.93.140.211	00408C65846A
AXIS 221 - 181E67	10.93.130.141	00408C181E67

Workstation interface 1 (10.93.130.1)

Automatische Erkennung

1. Stellen Sie sicher, dass die Kamera an das Netzwerk und an die Stromversorgung angeschlossen ist.
2. Starten Sie AXIS IP Utility. Wenn die AXIS 214 in der Liste erscheint, doppelklicken Sie auf den Eintrag um die Homepage der Kamera zu öffnen.
3. Anweisungen zum Festlegen des Kennworts finden Sie auf Seite 24.

IP-Adresse manuell festlegen

1. Wählen Sie eine nicht zugewiesene IP-Adresse aus dem Netzwerksegment, in dem sich auch Ihr Computer befindet. Suchen Sie die Seriennummer (S/N) auf dem Etikett auf der Unterseite der Kamera.
2. Klicken Sie auf die Schaltfläche  Set IP address using serial number (IP-Adresse über Seriennummer festlegen), und geben Sie die Seriennummer und die IP-Adresse für die Kamera ein.
3. Klicken Sie auf die Schaltfläche Set IP (IP einstellen), und starten Sie die Kamera innerhalb von zwei Minuten neu.
4. Klicken Sie auf View Home Page (Startseite anzeigen), um auf die Webseiten der Kamera zuzugreifen.
5. Anweisungen zum Festlegen des Kennworts finden Sie auf Seite 24.

Hinweis:

Mit AXIS IP Utility kann eine dynamische IP-Adresse in eine statische umgewandelt werden.

AXIS Camera Management

AXIS Camera Management ist ein leistungsfähiges und effizientes Installations- und Verwaltungstool, das speziell für die Verwendung mit Axis-Videoprodukten entwickelt wurde. Mit Hilfe von standardisierten Netzwerkprotokollen und Methoden kann das Tool automatisch IP-Adressen finden, den Verbindungsstatus anzeigen und Firmware-Upgrades mehrerer Axis-Videoprodukte verwalten. AXIS Camera Management ist kostenlos, befindet sich auf der mitgelieferten CD oder kann unter www.axis.com bezogen werden.

UPnP™

Die UPnP™-Funktionalität der AXIS 214 ist standardmäßig aktiviert. Sofern die Funktionalität auch auf Ihrem Computer (Windows ME oder XP) aktiviert ist, wird die Kamera automatisch erfasst. Unter „Netzwerkumgebung“ wird dann ein entsprechendes Symbol hinzugefügt. Klicken Sie auf dieses Symbol, um auf die Kamera zuzugreifen. Anweisungen zum Festlegen des Kennworts finden Sie auf Seite 24.

Hinweis:

Um den UPnP™-Dienst auf Ihrem Computer zu installieren, öffnen Sie im **Startmenü** die Systemsteuerung, und wählen Sie **Software**. Wählen Sie **Windows-Komponenten hinzufügen/entfernen** und anschließend **Netzwerkdienste**. Klicken Sie auf **Details**, und wählen Sie dann **UPnP** als hinzuzufügenden Dienst aus.

UPnP™ ist eine Zertifizierungsmarke der UPnP™ Implementers Corporation.

Bonjour

Bonjour erkennt die AXIS 214 automatisch, sobald diese mit dem Netzwerk verbunden ist. Navigieren Sie zum Bonjour-Lesezeichen Ihres Browsers (z. B. Safari), und klicken Sie auf den Link für die Kamera, um auf die Webseiten zu gelangen. Anweisungen zum Festlegen des Kennworts finden Sie auf Seite 24.

Manuelle Installation mit ARP/Ping

1. Wählen Sie eine nicht zugewiesene IP-Adresse im gleichen Netzwerksegment, in dem sich Ihr Computer befindet.
2. Suchen Sie die Seriennummer (S/N) auf dem Etikett auf der Unterseite der Kamera.
3. Öffnen Sie auf Ihrem Computer die Eingabeaufforderung. Geben Sie je nach verwendetem Betriebssystem folgende Befehle ein:

Windows -Syntax:	Beispiel für Windows:
arp -s <IP-Adresse> <Seriennummer> ping -l 408 -t <IP-Adresse>	arp -s 192.168.0.125 00-40-8c-18-10-00 ping -l 408 -t 192.168.0.125
UNIX/Linux/Mac -Syntax:	Beispiel für UNIX/Linux/Mac:
arp -s <IP-Adresse> <Seriennummer> temp ping -s 408 <IP-Adresse>	arp -s 192.168.0.125 00:40:8c:18:10:00 temp ping -s 408 192.168.0.125

4. Stellen Sie sicher, dass das Netzkabel angeschlossen ist. Starten Sie die Kamera neu, indem Sie die Stromversorgung trennen und wiederherstellen. Dies muss binnen zwei Minuten nach Eingabe des Befehls „ARP“ erfolgen.
5. Schließen Sie die Eingabeaufforderung, sobald „Reply from 192.168.0.125: ...“ oder eine vergleichbare Antwort angezeigt wird.
6. Starten Sie einen Browser, geben Sie im Adressfeld „http://<IP-Adresse>“ ein, und drücken Sie die Eingabetaste auf der Tastatur.
7. Anweisungen zum Festlegen des Kennworts finden Sie auf Seite 24.

Hinweise:

- So öffnen Sie unter Windows die Eingabeaufforderung: Wählen Sie im Startmenü die Option Ausführen..., und geben Sie „cmd“ ein („command“ unter Windows 98/ME). Klicken Sie auf OK.
- Verwenden Sie zum Eingeben des Befehls „ARP“ unter Mac OS X das Dienstprogramm „Terminal“. Sie finden es unter Programme > Dienstprogramme.

Der AXIS Internet Dynamic DNS Service

Der AXIS Internet Dynamic DNS Service wird als kostenloser Dienst von Axis zur Verfügung gestellt. Mit diesem Service können Sie Ihre Kamera, die dann einen statischen Namen (DNS-Name) und eine dynamische IP-Adresse erhält, schnell und einfach installieren. Weitere Informationen zum AXIS Internet Dynamic DNS Service finden Sie unter www.axiscam.net

Damit Sie den Dienst nutzen können, sollte Ihr Netzwerk über einen Internetzugang ohne HTTP-Proxyserver verfügen, und die IP-Adressen sollten vorzugsweise über DHCP zugewiesen werden.

1. Schließen Sie die AXIS 214 über ein Standard-Netzwerkkabel an das Netzwerk an.
2. Schließen Sie die Kamera an das Stromnetz an.
3. Warten Sie 60 Sekunden, und drücken Sie dann (mit einem spitzen Gegenstand) einmal auf die Reset-Taste der Kamera.
4. Auf der Website www.axiscam.net werden Sie durch den weiteren Installationsprozess geführt. Halten Sie die Seriennummer Ihres Produktes bereit, und befolgen Sie die Anweisungen auf dem Bildschirm.

Die Seriennummer/MAC-Adresse (S/N) steht auf dem Etikett auf der Unterseite der AXIS 214.

5. Geben Sie ein Kennwort für den Root-Benutzer (Administrator) ein.
6. Bestätigen Sie die Installation von AMC auf Ihrem Computer. Weitere Informationen hierzu finden Sie auf *AXIS Media Control (AMC)*, auf Seite 25.
7. Die Installation ist damit abgeschlossen.

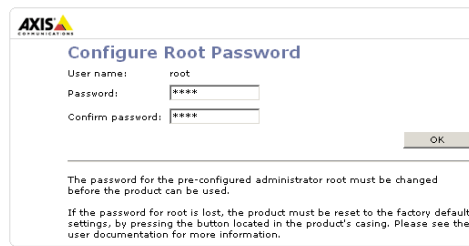
Hinweis:

Hinweis: Bei diesem Verfahren werden IP-Adresse, Firmware-Version, Produkttyp, Seriennummer sowie HTTP-Portnummer der PTZ-Netzwerkkamera an den Axis Internet Dynamic DNS Service übermittelt. Es werden keine persönlichen Daten übertragen.

Gehen Sie folgendermaßen vor, um den DNS-Namen zu entfernen und die Registrierung bei diesem Dienst zu löschen: Öffnen Sie die Setup-Seiten der PTZ-Netzwerkkamera, und wählen Sie **System Options** (Systemoptionen) > **Network** (Netzwerk) > **TCP/IP Basic** (Grundeinstellungen)>. Klicken Sie anschließend auf die Schaltfläche **Settings** (Einstellungen) für den AXIS Internet Dynamic DNS Service, und klicken Sie dann auf die Schaltfläche **Remove** (Entfernen).

Kennwort festlegen

1. Beim erstmaligen Zugriff auf die AXIS 214 wird auf dem Bildschirm das Dialogfeld **Configure Root Password** (Root-Kennwort konfigurieren) angezeigt.
2. Geben Sie ein Kennwort ein, und wiederholen Sie die Eingabe, um die korrekte Schreibweise zu bestätigen. Klicken Sie auf **OK**.



AXIS
Configure Root Password

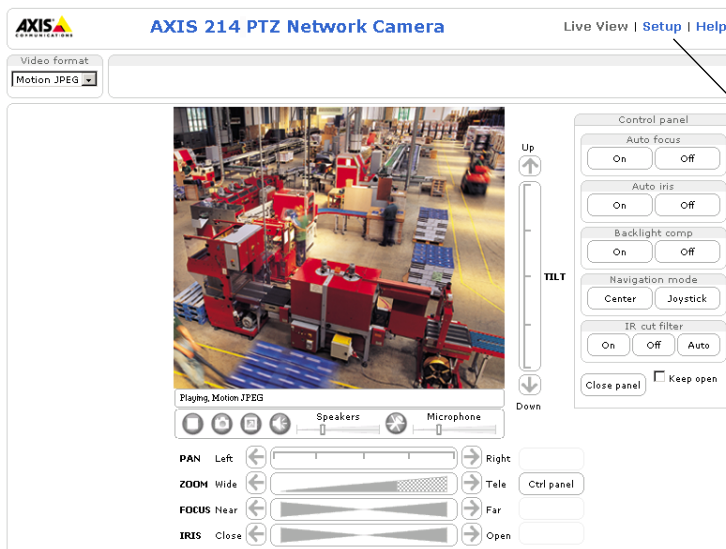
User name: root
 Password: ****
 Confirm password: ****

OK

The password for the pre-configured administrator root must be changed before the product can be used.

If the password for root is lost, the product must be reset to the factory default settings, by pressing the button located in the product's casing. Please see the user documentation for more information.

3. Das Dialogfeld **Enter Network Password** (Netzwerkkenwort eingeben) wird angezeigt. Geben Sie folgenden Benutzernamen ein: **root**
Hinweis: Der standardmäßige Administrator-Benutzername **root** kann nicht gelöscht werden.
4. Geben Sie das Kennwort wie in Schritt 2 beschrieben ein, und klicken Sie auf **OK**. Wenn Sie das Kennwort vergessen, muss die AXIS 214 auf die Werkseinstellungen zurückgesetzt werden. Siehe Seite 26.
5. Klicken Sie auf **Yes (Ja)**, um **AMC (AXIS Media Control)** zu installieren. Nach Abschluss der Installation können Sie Video-Streams in Microsoft Internet Explorer anzeigen. Hierzu müssen Sie über Administratorrechte für den Computer verfügen.
6. Die Seite **Live View** (Direktübertragung) der AXIS 214 wird angezeigt. Sie enthält Links zu den Setup-Tools, mit denen Sie die Kamera an Ihre individuellen Bedürfnisse anpassen können.



Hilfe - zeigt kontextabhängige Online-Hilfe an.

Setup: Hier finden Sie alle Tools, die Sie zum Anpassen der Kamera an Ihre persönlichen Anforderungen benötigen.

AXIS Media Control (AMC)

AXIS Media Control (AMC) ist eine ActiveX-Komponente für die Unterstützung von Audio-Streams und die Anzeige von Video-Streams in Microsoft Internet Explorer. AMC wird automatisch bei der Erstverwendung installiert.

Nach der Installation von AMC werden auf der Seite „Live View“ über die Symbolleiste des AMC-Viewers die Audio- und Video-Steuerelemente angezeigt.

Falls in Ihrer Arbeitsumgebung die Installation weiterer Softwarekomponenten nicht zugelassen ist, können Sie Ihre AXIS 214 so konfigurieren, dass zum Aktualisieren der Bilder ein Java-Applet verwendet wird (dies gilt nur für Videobilder). Siehe Online-Hilfdateien unter **Live View Config > Layout > Default Viewer for Internet Explorer** (Direktübertragung konfigurieren | Ansicht | Standard-Viewer für Internet Explorer). Sie können auch einen anderen unterstützten Webbrowser verwenden.

Zugriff auf die AXIS 214 über das Internet

Sobald die PTZ-Netzwerkkamera installiert ist, können Sie in Ihrem lokalen Netzwerk (LAN) darauf zugreifen. Um auch über das Internet auf die PTZ-Netzwerkkamera zugreifen zu können, müssen Sie die Netzwerk-Router so konfigurieren, dass sie den entsprechenden eingehenden Datenverkehr zulassen. Dafür wird meistens ein bestimmter Port gewählt. Ausführliche Informationen zu diesem Thema finden Sie in der Dokumentation des Routers.

Weitere Informationen zu diesem und anderen Themen erhalten Sie auf der Axis Support-Website unter www.axis.com/techsup

Werkseitige Standardeinstellungen wiederherstellen

Gehen Sie folgendermaßen vor, um sämtliche Parameter einschließlich der IP-Adresse auf die werkseitigen Standardeinstellungen zurückzusetzen:

1. Trennen Sie die Kamera von der Stromversorgung.
2. Betätigen Sie die Reset-Taste (auf der Unterseite der Kamera), halten Sie diese gedrückt, und stellen Sie die Stromversorgung wieder her.
3. Halten Sie die Taste 15 Sekunden lang gedrückt, und lassen Sie sie dann los.
4. Installieren Sie die Kamera erneut. Verwenden Sie dazu eines der in diesem Dokument beschriebenen Verfahren.

Weitere Informationen

Weitere Informationen finden Sie im Benutzerhandbuch für die AXIS 214, das sich auf der mitgelieferten CD befindet. Eine aktualisierte Version finden Sie unter www.axis.com

AXIS 214 Cámara de red PTZ

Guía de instalación

Antes de instalar la cámara de red PTZ AXIS 214, tenga en cuenta lo siguiente.

- Este producto está diseñado para el uso en interiores o en lugares donde esté protegido de la lluvia y la humedad. Para utilizar la cámara en el exterior, utilice los accesorios de protección correspondientes.
- Tanto si la AXIS 214 está o no en funcionamiento, siempre debe ubicarse en un lugar en el que no esté expuesta a la luz solar directa o una luz halógena fuerte, ya que esto puede causar daños permanentes en el sensor de imágenes de la cámara. Los daños resultantes de la exposición a una luz fuerte no están cubiertos por la garantía de Axis.
- No utilice detergentes fuertes ni abrasivos para limpiar la carcasa. Utilice un detergente suave y pase un paño con cuidado.

Contenido del paquete

Artículo	Notas
Cámara de red PTZ	AXIS 214.
Adaptador de alimentación	Específico del país.
Kit de soporte para techo	2 soportes, 6 tornillos de montaje.
Cable de sujeción	Cable de seguridad
Bloque de conectores	Bloque de conectores al terminal de E/S de 4 pines verde
CD	Documentación y software.
Material impreso	Guía de instalación de AXIS 214, Documento de garantía de Axis.

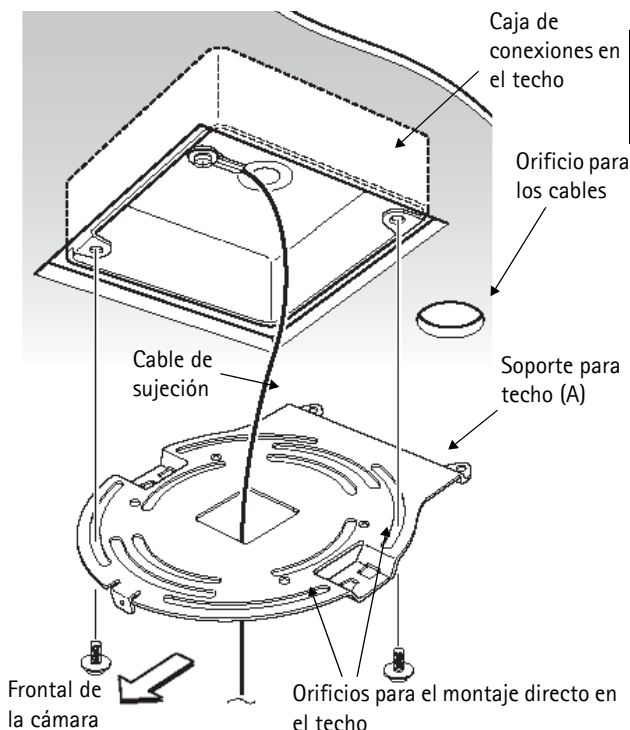
Montaje en techo

Si se va a montar la AXIS 214 en techo, se recomienda que, antes de instalarla, configure la dirección IP y compruebe que funciona correctamente.

La cámara de red PTZ AXIS 214 se suministra con 2 soportes para montaje en techo.

1. Utilice tornillos adecuados (no suministrados) para fijar el soporte de techo (A) a la caja de conexiones como se muestra en la figura. Para colocarlo correctamente, guíese por las ranuras de los tornillos. Si es necesario, enganche el cable de sujeción.

Si lo prefiere, también puede fijar el soporte directamente al techo usando los 4 orificios para tornillos en el centro del soporte. Los tornillos no se suministran.

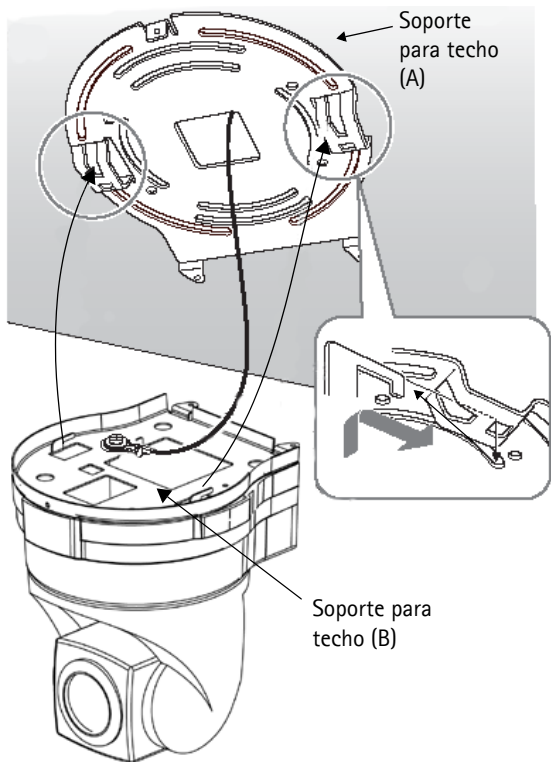
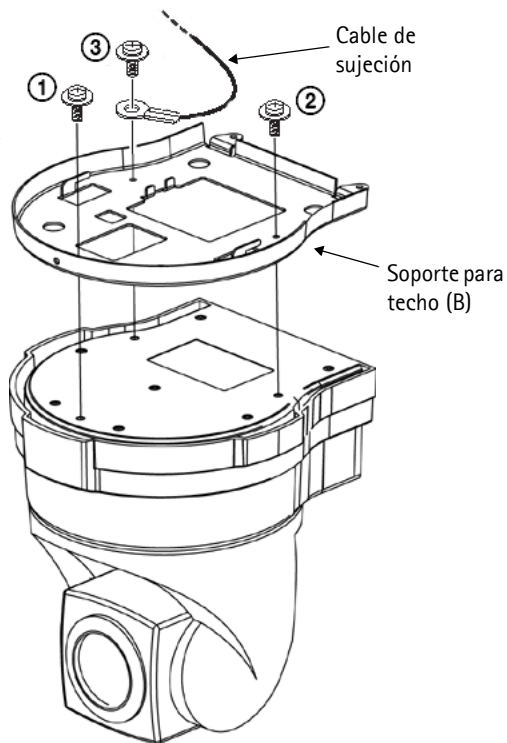


ESPAÑOL

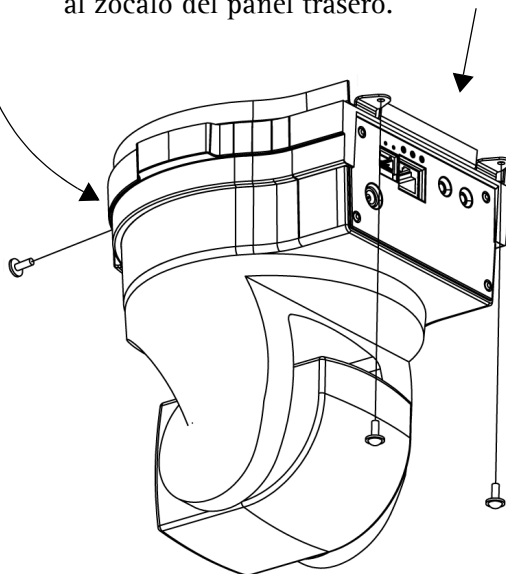
2. Fije el segundo soporte (B) a la base de la cámara mediante los 3 tornillos suministrados. El cable de sujeción debería estar sujeto al tornillo 3.

3. Apriete los tornillos un poco de uno en uno en el orden numerado que muestra la figura hasta que estén sujetos firmemente.

4. Introduzca los ganchos del soporte (B) en las ranuras (A) y empuje el soporte (B) hacia atrás hasta el tope.



5. Empuje hacia arriba el frontal de la cámara y sujételo mediante los tornillos suministrados, empezando por el frontal.
6. Conecte los cables de alimentación y red al zócalo del panel trasero.



Configuración de la dirección IP

La AXIS 214 está diseñada para utilizarse en una red Ethernet, por lo que debe asignársele una dirección IP para hacerla accesible.

AXIS IP Utility

AXIS IP Utility es el método recomendado para configurar una dirección IP en Windows. Esta aplicación gratuita puede utilizarse en redes con o sin servidor DHCP. Para obtener más información, consulte la página 30.

Todos los métodos de instalación

Esta tabla muestra todos los métodos disponibles para configurar o descubrir la dirección IP. Seleccione uno de los métodos de la columna de la izquierda para comprobar los requisitos necesarios a la derecha.

Métodos de instalación	Requisitos	Servidor DHCP en red	Instalar en el mismo segmento de red	Conexión a Internet sin proxy HTTP	Sistema operativo
AXIS IP Utility (método recomendado) Consulte la página 30		Opcional	Obligatorio		Windows
UPnP™ Consulte la página 31		Opcional	Obligatorio		Windows (ME o XP)
Bonjour Consulte la página 31		Opcional	Obligatorio		Mac OSX (10.4 o posterior)
AXIS Dynamic DNS Service Consulte la página 32		Recomendado		Obligatorio	Todos
AXIS Camera Management Consulte la página 32		Opcional	Obligatorio		Windows
Ver las páginas admin del servidor DHCP para la dirección IP (lea la nota siguiente)		Obligatorio			Todos

- Notas:**
- UPnP™ y DHCP están habilitados de forma predeterminada en la AXIS 214.
 - La AXIS 214 tiene la siguiente dirección IP predeterminada: 192.168.0.90
 - Para visualizar las páginas admin del servidor DHCP, consulte la documentación del servidor. Es posible que deba ponerse en contacto con su administrador de redes.
 - Si no puede configurar la dirección IP, compruebe que no haya ningún cortafuegos que bloquee la operación.
 - Bonjour se aplica sólo a navegadores compatibles, p.ej., Safari. Bonjour es una marca registrada de Apple Computer, Inc.

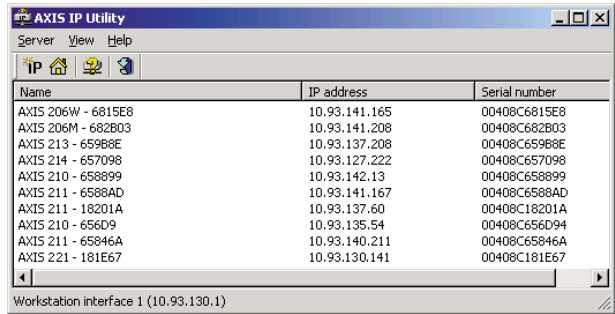
AXIS IP Utility

AXIS IP Utility es una aplicación gratuita de Windows que detecta y muestra dispositivos Axis en su red.

Además, puede utilizarse para asignar manualmente una dirección IP estática.

Recuerde que debe instalar la cámara en el mismo segmento de red (subred física) que el equipo que ejecuta AXIS IP Utility.

AXIS IP Utility está disponible en el CD suministrado con este producto y también puede descargarse desde www.axis.com.




Name	IP address	Serial number
AXIS 206W - 6815E8	10.93.141.165	00408C6815E8
AXIS 206M - 682B03	10.93.141.208	00408C682B03
AXIS 213 - 65988E	10.93.137.208	00408C65988E
AXIS 214 - 657098	10.93.127.222	00408C657098
AXIS 210 - 658899	10.93.142.13	00408C658899
AXIS 211 - 6588AD	10.93.141.167	00408C6588AD
AXIS 211 - 18201A	10.93.137.60	00408C18201A
AXIS 210 - 656D9	10.93.135.54	00408C656D94
AXIS 211 - 65846A	10.93.140.211	00408C65846A
AXIS 221 - 181E67	10.93.130.141	00408C181E67

Workstation interface 1 (10.93.130.1)

Detección automática

1. Compruebe que la cámara está conectada a la red y que le llega corriente.
2. Inicie AXIS IP Utility. Cuando la cámara aparezca en la ventana, haga doble clic en ella para abrir la página de inicio en su navegador.
3. Consulte la página 32 para obtener instrucciones sobre cómo configurar la contraseña.

Configuración manual de la dirección IP

1. Adquiera una dirección IP que no esté en uso en el mismo segmento de red en el que está conectado su equipo. Ubique el número de serie (N/S) en la etiqueta inferior de la cámara.
2. Haga clic en el botón  (Configurar dirección IP a partir del número de serie) e introduzca el número de serie y la dirección IP de la cámara.
3. Haga clic en el botón Set IP y, a continuación, reinicie la cámara (transcurridos 2 minutos).
4. Haga clic en View Home Page para acceder a las páginas Web de la cámara.
5. Consulte la página 32 para obtener instrucciones sobre cómo configurar la contraseña.

Nota:

Se puede utilizar AXIS IP Utility para cambiar una dirección IP configurada de forma dinámica por una estática.

AXIS Camera Management

AXIS Camera Management es una eficaz herramienta de gestión e instalación especialmente diseñada para utilizarse con productos de vídeo Axis. Mediante métodos y protocolos de red estándar, la herramienta puede buscar y configurar direcciones IP de forma automática, mostrar el estado de conexión y administrar actualizaciones de firmware de muchos productos de vídeo Axis. AXIS Camera Management es gratuito y está disponible en el CD incluido con este producto o en www.axis.com

UPnP™

La funcionalidad UPnP™ está habilitada de forma predeterminada en la AXIS 214. Si también está habilitada en su ordenador (Windows ME o XP), la cámara será detectada automáticamente y se añadirá un nuevo icono a "My Network Places". Haga clic en este icono para acceder a la cámara. Consulte también la página 32 para obtener instrucciones sobre cómo configurar la contraseña.

Nota:

Para instalar el servicio UPnP™ en su equipo, abra el Panel de control desde el menú Inicio y abra **Agregar o quitar programas**. Seleccione **Agregar o quitar componentes de Windows** y abra la sección **Servicios de red**. Haga clic en **Detalles** y después seleccione UPnP como el servicio que va a agregar.

UPnP™ es una marca registrada de UPnP™ Implementers Corporation.

Bonjour

Bonjour detectará automáticamente la AXIS 214 cuando está conectada a la red. Navegue hasta la marquilla Bonjour™ de su navegador (p. ej., Safari) y haga clic en el vínculo de la cámara para acceder a las páginas Web. Consulte la página 32 para obtener instrucciones sobre cómo configurar la contraseña.

Instalación manual con ARP/Ping

1. Obtenga una dirección IP que no esté en uso y que se encuentre en el mismo segmento que su ordenador.
2. Ubique el número de serie (N/S) en la etiqueta situada en el lado posterior de la cámara.
3. Abra la ventana "Línea de Comandos" en su ordenador. Introduzca los siguientes comandos de acuerdo a su sistema operativo:

Sintaxis de Windows:	Ejemplo de Windows:
arp -s <IP Address> <Serial Number> ping -l 408 -t <IP Address>	arp -s 192.168.0.125 00-40-8c-18-10-00 ping -l 408 -t 192.168.0.125
Sintaxis de UNIX/Linux/Mac:	Ejemplo de UNIX/Linux/Mac:
arp -s <IP Address> <Serial Number> temp ping -s 408 <IP Address>	arp -s 192.168.0.125 00:40:8c:18:10:00 temp ping -s 408 192.168.0.125

4. Compruebe que esté conectado el cable de red. Inicie o reinicie la cámara desconectando y volviendo a conectar la alimentación. Este procedimiento debe realizarse en los 2 minutos siguientes a la introducción del comando ARP.
5. Cierre la ventana "Línea de Comandos" cuando vea 'Reply from 192.168.0.125: ...' o similar.
6. Inicie su explorador, escriba http://<dirección IP> en el campo Ubicación/Dirección, y presione Enter en su teclado.
7. Consulte la página 32 para obtener instrucciones sobre cómo configurar la contraseña.

Notas:

- Para abrir la ventana "Línea de Comandos" en Windows: desde el menú Inicio, seleccione Ejecutar... y escriba cmd (o command en Windows 98/ME). Haga clic en Aceptar.
- Para utilizar el comando ARP en un sistema operativo Mac OS X, utilice la utilidad Terminal, que se encuentra en Aplicaciones > Utilidades.

El AXIS Internet Dynamic DNS Service

El AXIS Internet Dynamic DNS Service es un servicio gratuito suministrado por Axis. Este servicio permite realizar una instalación rápida y sencilla de su cámara, que luego recibe un nombre estático (nombre DNS) y una dirección IP dinámica. Encontrará más información sobre el AXIS Internet Dynamic DNS Service en www.axiscam.net

Para realizar este procedimiento, es conveniente que su red disponga de una conexión de Internet sin proxy HTTP, y las direcciones IP deberían asignarse preferiblemente a través de DHCP.

1. Conecte la AXIS 214 a su red local con un cable de red estándar.
2. Conecte la alimentación a la cámara.
3. Espere 60 segundos y, con un objeto puntiagudo, pulse el botón de reinicio en la parte inferior de la cámara una sola vez.
4. Visite www.axiscam.net donde le guiarán a través del resto de la instalación. Tenga listo el número de serie de su producto y siga las instrucciones de la pantalla.

El número de serie/dirección MAC (N/S) está situado en la etiqueta del lado inferior de la AXIS 214.

5. Introduzca una contraseña para el usuario **root** (administrador).
6. Si es necesario, acepte la instalación de **AMC** en su estación de trabajo. Para obtener más información, consulte *AXIS Media Control (AMC)*, en la página 33.
7. La instalación ha finalizado.

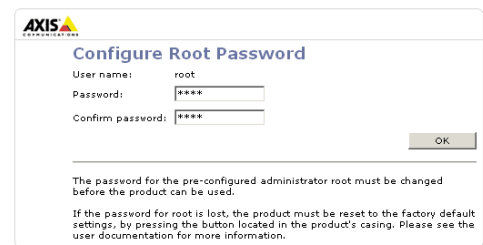
Nota:

Tenga en cuenta que este procedimiento enviará la dirección IP, la versión de firmware, el tipo de producto, el número de serie y el número de puerto HTTP de la cámara de red PTZ al Axis Internet Dynamic DNS Service, pero no se transferirá ningún tipo de información personal.

Para quitar el nombre DNS y dar de baja el registro de este servicio, abra las páginas de configuración de la cámara de red PTZ, haga clic en **Opciones del sistema > Red > TCP/IP > Básico**, haga clic en el botón **Configuración del AXIS Internet Dynamic DNS Service** y, por último, haga clic en el botón **Quitar**.

Configuración de la contraseña

1. Cuando acceda a la AXIS 214 por primera vez, aparecerá el diálogo “Configure Root Password” en la pantalla.
2. A continuación, escriba una contraseña y vuelva a escribirla para confirmarla. Haga clic en **OK**.



Configure Root Password

User name: root

Password: ****

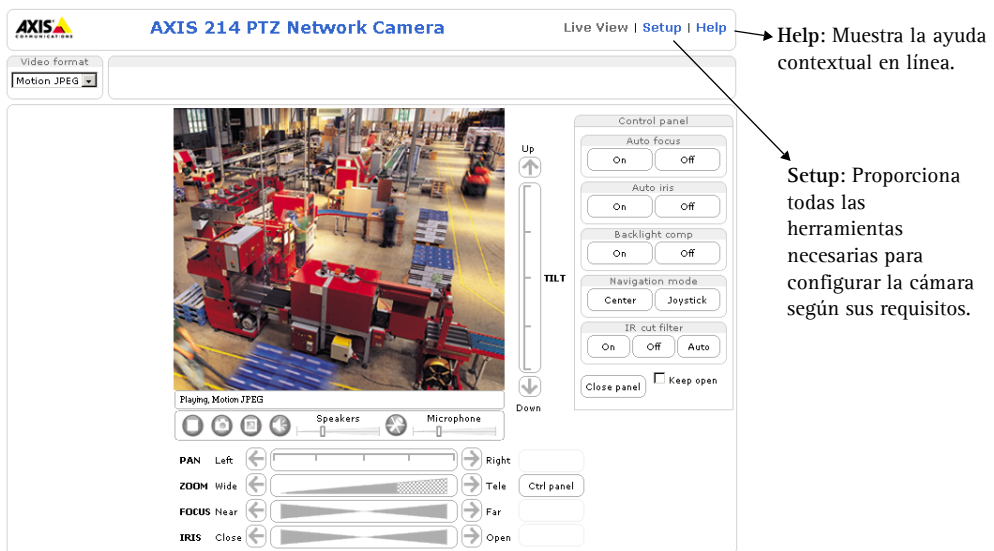
Confirm password: ****

OK

The password for the pre-configured administrator root must be changed before the product can be used.

If the password for root is lost, the product must be reset to the factory default settings, by pressing the button located in the product's casing. Please see the user documentation for more information.

3. Aparecerá el diálogo **Enter Network Password**. Escriba el nombre de usuario: **root**
Nota: El nombre de usuario del administrador por defecto **root** es permanente y no se puede borrar.
4. Introduzca la contraseña como se indicó en el paso 2 anterior y haga clic en **OK**. Si olvidó la contraseña, debe restablecer la AXIS 214 a los valores iniciales. Consulte la página 34.
5. Si es necesario, haga clic en **Yes** para instalar el AMC (AXIS Media Control) para permitir la visualización del flujo de vídeo en Microsoft Internet Explorer. Para ello, debe tener derechos de administrador en su ordenador.
6. La página de **Live View** de la AXIS 214 aparece con enlaces a las herramientas de configuración que le permiten adaptar la cámara a sus necesidades específicas.



AXIS Media Control (AMC)

AXIS Media Control (AMC) es un componente ActiveX que permite la reproducción de audio y vídeo en Microsoft Internet Explorer. AMC se instala de forma automática la primera vez de uso.

Una vez que AMC está instalado, la barra de herramientas del visualizador AMC mostrará los controles de audio y vídeo en la página Live View.

Si su entorno de trabajo limita componentes de software adicionales, puede configurar su AXIS 214 para que utilice Java applet para actualizar imágenes (aplicable sólo a imágenes de vídeo, no a audio). Consulte los archivos de ayuda en línea en **Live View Config > Layout > Default Viewer** para Internet Explorer. De forma alternativa, puede utilizar otro navegador de Web compatible.

Acceso a la AXIS 214 desde Internet

Una vez instalada, puede accederse a la cámara de red PTZ desde su red local (LAN). Para acceder a la cámara de red PTZ desde Internet, los encaminadores de red deben estar configurados para permitir el tráfico de datos de entrada, que normalmente se realiza en un puerto específico. Para obtener más instrucciones, consulte la documentación de su encaminador.

Para obtener más información sobre este u otros temas, visite el servicio de soporte de Axis en www.axis.com/techsup

Restablecimiento de los valores iniciales

Esta operación reconfigurará todos los parámetros, incluida la dirección IP, a los valores iniciales:

1. Desconecte la alimentación de la cámara.
2. Mantenga pulsado el botón de Reinicio (en la parte inferior de la cámara) y vuelva a conectar la alimentación.
3. Mantenga pulsado el botón durante 15 segundos y suéltelo.
4. Vuelva a instalar la cámara utilizando uno de los métodos descritos en este documento.

Más información

Para obtener más información, consulte el Manual del Usuario de la AXIS 214, disponible en el CD incluido en este paquete. Puede obtener versiones actualizadas del manual en www.axis.com

AXIS 214 – Videocamera di rete PTZ

Guida all'installazione

Leggere le istruzioni riportate di seguito prima dell'installazione della videocamera di rete AXIS 214 PTZ.

- Questo prodotto è progettato solo per uso interno o in luoghi al riparo dalla pioggia e l'umidità. Per il funzionamento della videocamera all'esterno, utilizzare gli appositi accessori di protezione.
- Indipendentemente dal funzionamento l'AXIS 214 non va mai esposta alla luce diretta del sole o di una potente lampada alogena, onde evitare danni permanenti al sensore dell'immagine della videocamera. I danni causati dall'esposizione diretta alla luce non sono coperti dalla garanzia Axis.
- Non utilizzare detergenti aggressivi o abrasivi per la pulizia dell'alloggiamento, utilizzare invece un detergente delicato e pulirlo con attenzione.

Contenuto della confezione

Articolo	Note
Videocamera di rete PTZ	AXIS 214.
Adattatore di alimentazione	L'adattatore è specifico per il paese.
Kit di montaggio a soffitto	2 staffe, 6 viti di montaggio
Cavo di sostegno	Cavo di sicurezza
Morsettiera di alimentazione	Morsettiera di alimentazione I/O a 4 pin di colore verde
CD	Documentazione e software
Documentazione cartacea	Guida all'installazione e documento di garanzia dell'AXIS 214

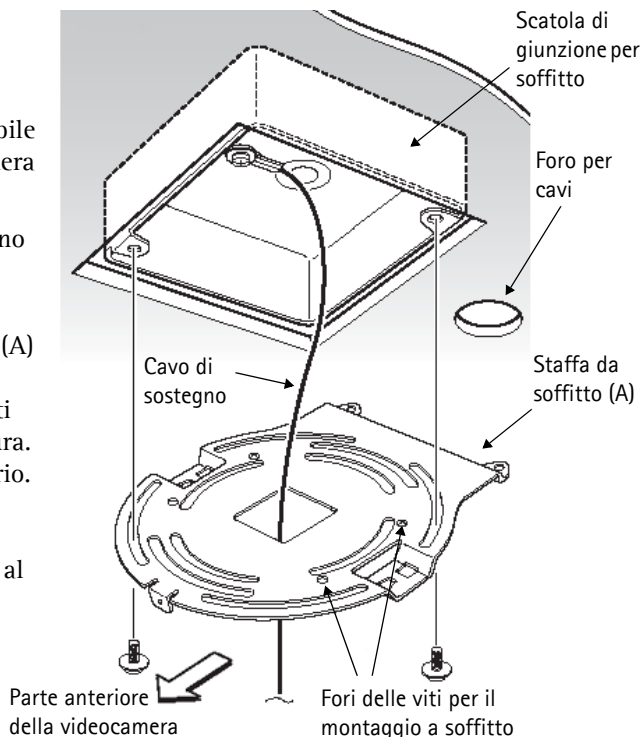
Montaggio a soffitto

Per montare l'AXIS 214 a soffitto, è consigliabile impostare l'indirizzo IP e avviare la videocamera prima dell'installazione.

Con la videocamera di rete AXIS 214 PTZ sono fornite 2 staffe per il montaggio a soffitto.

1. Mediante le viti appropriate (non in dotazione), collegare la staffa da soffitto (A) alla scatola di giunzione, come mostrato nella figura. Utilizzare le fessure delle viti per facilitare il posizionamento la struttura. Collegare il cavo di sostegno, se necessario.

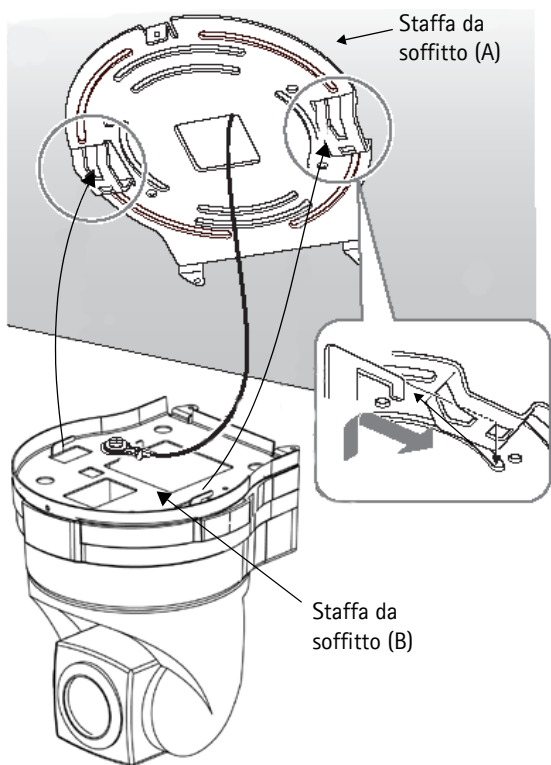
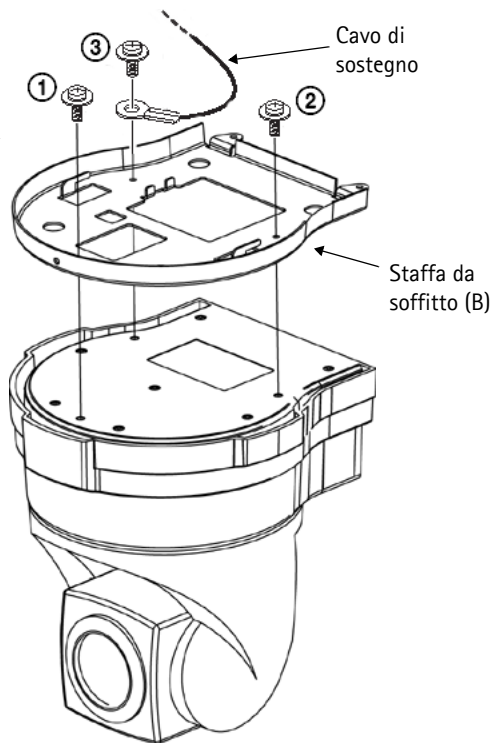
In alternativa, collegare la staffa direttamente al soffitto mediante i 4 fori al centro della staffa. Le viti non sono in dotazione.



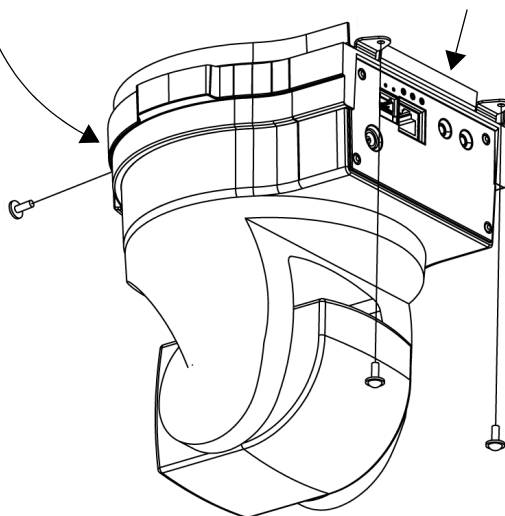
2. Collegare la seconda staffa (B) alla base della videocamera, utilizzando 3 viti tra quelle in dotazione. Il cavo di sostegno deve essere collegato alla vite numero 3.

3. Stringere le viti un poco alla volta seguendo l'ordine dei numeri mostrati nella figura accanto, fino a quando non siano tutte saldamente fissate.

4. Inserire i ganci della staffa (B) nei fori della staffa (A) e premere la staffa (B) verso il basso.



5. Spingere verso l'alto la parte anteriore della videocamera e fissarla mediante le viti fornite, iniziando dalla parte anteriore.
6. Collegare i cavi dell'alimentazione e di rete ai socket sul pannello posteriore.



Impostazione dell'indirizzo IP

L'AXIS 214 è progettata per l'installazione su una rete Ethernet e per essere accessibile necessita dell'assegnazione di un indirizzo IP.

AXIS IP Utility

AXIS IP Utility è il metodo consigliato per impostare un indirizzo IP in Windows. Si tratta di un'applicazione gratuita che può essere utilizzata nelle reti con o senza server DHCP. Per ulteriori informazioni, vedere pagina 38.

Metodi di installazione

In questa tabella sono illustrati tutti i metodi per impostare oppure individuare l'indirizzo IP. Selezionare un metodo dalla colonna di sinistra e verificarne i requisiti necessari sulla destra.

Metodi di installazione	Requisiti	Server DHCP nella rete	Installare sullo stesso segmento di rete	Connessione Internet senza proxy HTTP	Sistema operativo
AXIS IP Utility (metodo consigliato) Vedere pagina 38		Opzionale	Richiesto		Windows
UPnP™ Vedere pagina 38		Opzionale	Richiesto		Windows (ME o XP)
Bonjour Vedere pagina 38		Opzionale	Richiesto		Mac OS X (versione 10.4 o successive)
Servizio AXIS Dynamic DNS Vedere pagina 40		Consigliato		Richiesto	Tutti
AXIS Camera Management Vedere pagina 40		Opzionale	Richiesto		Windows
Visualizzazione delle pagine admin del server DHCP per l'indirizzo IP (vedere la nota di seguito)		Richiesto			Tutti

Note

- UPnP™ e DHCP sono entrambi attivati per impostazione predefinita nell'AXIS 214.
- L'indirizzo IP predefinito per l'AXIS 214 è 192.168.0.90
- Per visualizzare le pagine admin del server DHCP, vedere la documentazione specifica del server. Rivolgersi all'amministratore di rete.
- Se l'impostazione dell'indirizzo IP non ha esito positivo, verificare che non siano presenti firewall a bloccare l'operazione.
- Bonjour: applicabile solo nei browser che supportano Bonjour, ad esempio il browser Safari. Bonjour è un marchio registrato di Apple Computer, Inc.

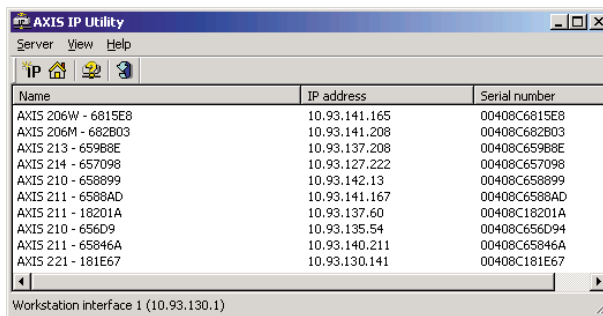
AXIS IP Utility

AXIS IP Utility è un'applicazione gratuita per Windows che consente di individuare e visualizzare la presenza di periferiche Axis sulla rete.

Consente inoltre di impostare manualmente un indirizzo IP statico.

È utile ricordare che la videocamera deve essere installata sullo stesso segmento di rete (subnet fisica) del computer sul quale è in esecuzione AXIS IP Utility.

AXIS IP Utility è disponibile sul CD fornito con questo prodotto oppure può essere scaricata all'indirizzo www.axis.com



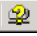
Name	IP address	Serial number
AXIS 206W - 6815E8	10.93.141.165	00408C6815E8
AXIS 206M - 682B03	10.93.141.208	00408C682B03
AXIS 213 - 65968E	10.93.137.208	00408C65968E
AXIS 214 - 657098	10.93.127.222	00408C657098
AXIS 210 - 658899	10.93.142.13	00408C658899
AXIS 211 - 6588AD	10.93.141.167	00408C6588AD
AXIS 211 - 18201A	10.93.137.60	00408C18201A
AXIS 210 - 656D9	10.93.135.54	00408C656D94
AXIS 211 - 65846A	10.93.140.211	00408C65846A
AXIS 221 - 181E67	10.93.130.141	00408C181E67

Workstation interface 1 (10.93.130.1)

Rilevamento automatico

1. Controllare che la videocamera sia collegata in rete e che sia collegata all'alimentazione.
2. Avviare AXIS IP Utility. Quando la videocamera verrà visualizzata, fare doppio clic su di essa per aprire l'home page.
3. Vedere pagina 40 per istruzioni su come impostare la password.

Impostazione manuale dell'indirizzo IP

1. Acquisire un indirizzo IP non utilizzato sullo stesso segmento di rete cui è connesso il computer utilizzato. Individuare il numero di serie sull'etichetta posta sul retro della videocamera.
2. Fare clic sul pulsante  (Imposta indirizzo IP mediante numero di serie) e immettere il numero di serie e l'indirizzo IP della videocamera.
3. Fare clic sul pulsante Set IP (Imposta IP) e riavviare la videocamera (entro 2 minuti).
4. Fare clic su View Home Page (Visualizza home page) per accedere alle pagine Web della videocamera.
5. Vedere pagina 40 per istruzioni su come impostare la password.

Nota

AXIS IP Utility può essere utilizzata per modificare un indirizzo IP impostato in modo dinamico in un indirizzo statico.

AXIS Camera Management

AXIS Camera Management è uno strumento potente ed efficace per la gestione e l'installazione, appositamente creato per essere utilizzato con i prodotti video di Axis. Mediante i metodi e i protocolli di rete standard lo strumento è in grado di individuare e impostare automaticamente gli indirizzi IP, mostrare lo stato di connessione e gestire gli aggiornamenti del firmware di più prodotti video di Axis. AXIS Camera Management è gratuito ed è disponibile nel CD incluso con questo prodotto o sul sito Web all'indirizzo www.axis.com

UPnP™

La funzionalità UPnP™ è attiva per impostazione predefinita nell'AXIS 214. Se è abilitata anche sul computer in uso (con sistema operativo Windows ME o XP), la videocamera verrà automaticamente rilevata e verrà aggiunta una nuova icona in "Risorse di rete". Fare clic su questa icona per accedere alla videocamera. Vedere anche pagina 40 per istruzioni su come impostare la password.

Nota

Per installare il servizio UPnP™ nel computer, aprire il Pannello di controllo dal menu **Start** e selezionare **Installazione applicazioni**. Selezionare **Installazione componenti di Windows** e aprire la sezione **Servizi di rete**. Fare clic su **Dettagli** e selezionare **UPnP** come servizio da aggiungere.

UPnP™ è un marchio di certificazione dell'UPnP™ Implementers Corporation.

Bonjour

Bonjour consente di individuare automaticamente l'AXIS 214 una volta effettuata la connessione di rete. È sufficiente passare al segnalibro Bonjour nel browser (ad esempio Safari) e fare clic sul collegamento della videocamera che consente di accedere alle pagine Web. Vedere pagina 40 per istruzioni su come impostare la password.

Installazione manuale con ARP/Ping

1. Acquisire un indirizzo IP non utilizzato sullo stesso segmento di rete del computer.
2. Individuare il numero di serie sull'etichetta posta sul retro della videocamera.
3. Aprire un prompt dei comandi sul computer. In base al proprio sistema operativo, immettere i comandi riportati di seguito.

Sintassi Windows:	Esempio Windows:
arp -s <Indirizzo IP> <Numero di serie> ping -l 408 -t <Indirizzo IP>	arp -s 192.168.0.125 00-40-8c-18-10-00 ping -l 408 -t 192.168.0.125
Sintassi UNIX/Linux/Mac:	Esempio UNIX/Linux/Mac:
arp -s <Indirizzo IP> <Numero di serie> temp ping -s 408 <Indirizzo IP>	arp -s 192.168.0.125 00:40:8c:18:10:00 temp ping -s 408 192.168.0.125

4. Controllare che il cavo di rete sia collegato. Avviare/riavviare la videocamera scollegando e ricollegando l'alimentazione. Tale operazione deve essere eseguita entro 2 minuti dall'immissione del comando ARP.
5. Chiudere il prompt dei comandi una volta visualizzato il messaggio "Risposta da 192.168.0.125: ..." oppure un messaggio simile.
6. Avviare il browser, immettere http://<indirizzo IP> nel campo del percorso/indirizzo e premere **Invio** sulla tastiera.
7. Vedere pagina 40 per istruzioni su come impostare la password.

Note

- Per aprire un prompt dei comandi in Windows: dal menu Start, scegliere Esegui... e immettere cmd (oppure command in Windows 98/ME). Fare clic su OK.
- Per utilizzare il comando ARP in Mac OS X, servirsi dell'utilità Terminal, in Applicazioni > Utilità.

Servizio AXIS Internet Dynamic DNS

Il servizio AXIS Internet Dynamic DNS, fornito gratuitamente da Axis, consente di installare in modo rapido e facile la videocamera, alla quale viene assegnato un nome statico (nome DNS) e un indirizzo IP dinamico. Ulteriori informazioni sul servizio AXIS Internet Dynamic DNS sono disponibili all'indirizzo www.axiscam.net

Per eseguire questa procedura, è necessario che la rete disponga di una connessione Internet senza proxy HTTP e che gli indirizzi IP siano assegnati tramite DHCP.

1. Collegare l'AXIS 214 alla rete locale mediante un cavo di rete standard.
2. Collegare il cavo dell'alimentazione alla videocamera
3. Attendere 60 secondi e, utilizzando un oggetto appuntito adatto, premere il pulsante Reset nella parte posteriore della videocamera una sola volta.
4. Visitare il sito Web www.axiscam.net per essere guidati attraverso la parte restante dell'installazione. Tenere il numero di serie del prodotto a portata di mano ed eseguire le istruzioni visualizzate sullo schermo.

Il numero di serie/indirizzo MAC è riportato sull'etichetta sulla parte inferiore dell'AXIS 214.

5. Immettere una password per l'utente **root** (amministratore).
6. Se necessario, accettare l'installazione di **AMC** sulla workstation. Per ulteriori informazioni, vedere *AXIS Media Control (AMC)*, alla pagina 41.
7. L'installazione è completata.

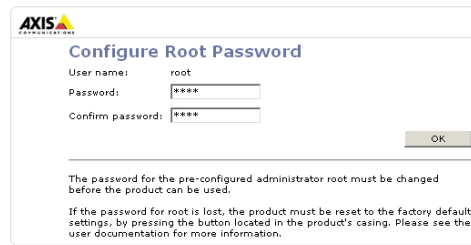
Nota

Si noti che questa procedura consente di inviare l'indirizzo IP, la versione del firmware, il tipo di prodotto, il numero di serie e il numero di porta HTTP della Videocamera di rete PTZ al servizio AXIS Internet Dynamic DNS. Non vengono trasferite informazioni personali.

Per rimuovere il nome DNS e annullare la registrazione da questo servizio, aprire le pagine Setup (Configurazione) nella Videocamera di rete PTZ, fare clic su **System Options (Opzioni di sistema)** > **Network (Rete)** > **TCP/IP** > **Basic (Di base)**, quindi fare clic sul pulsante **Settings (Impostazioni)** per il servizio AXIS Internet Dynamic DNS e infine fare clic sul pulsante **Remove (Rimuovi)**.

Impostazione della password

1. Quando si accede all'AXIS 214 per la prima volta, viene visualizzata la finestra di dialogo "Configure Root Password" (Configura la password principale).
2. Immettere la password, quindi inserirla di nuovo per confermarne l'esattezza. Fare clic su **OK**.



AXIS
Configure Root Password

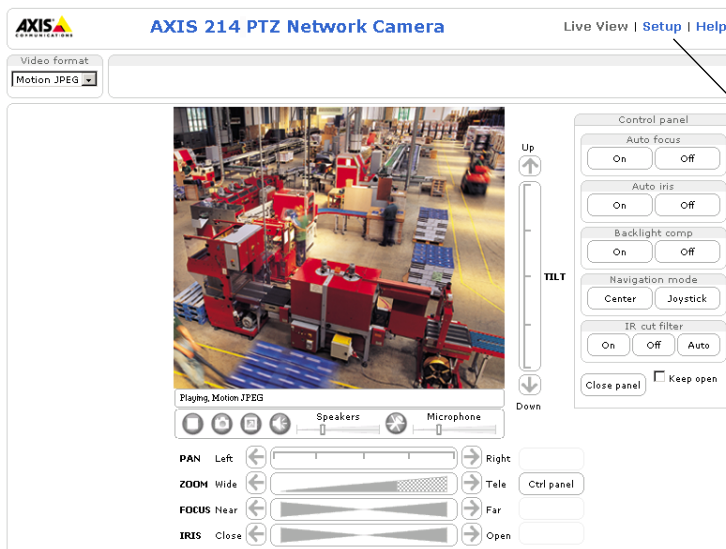
User name: root
Password: ****
Confirm password: ****

OK

The password for the pre-configured administrator root must be changed before the product can be used.

If the password for root is lost, the product must be reset to the factory default settings, by pressing the button located in the product's casing. Please see the user documentation for more information.

- Verrà visualizzata la finestra di dialogo "Enter Network Password" (Inserire la password di rete). Inserire il nome utente: **root**
Nota: il nome utente predefinito dell'amministratore **root** è permanente e non può essere eliminato.
- Inserire la password impostata al passaggio 2 e fare clic su **OK**. Se si dimentica la password, sarà necessario ripristinare le impostazioni di fabbrica dell'AXIS 214. Vedere pagina 42.
- Se richiesto, fare clic su **Yes (Si)** per installare l'AXIS Media Control (AMC) e consentire la visualizzazione del flusso video in Microsoft Internet Explorer. A questo scopo è necessario disporre dei privilegi di amministratore.
- Viene visualizzata la pagina **Live View** (Immagini dal vivo) dell'AXIS 214 con i collegamenti agli strumenti di impostazione che consentono di personalizzare la videocamera in base alle esigenze specifiche.



Guida: consente di visualizzare una Guida in linea sensibile al contesto.

Setup (Configurazione) - fornisce tutti gli strumenti necessari per impostare la videocamera in base alle necessità.

AXIS Media Control (AMC)

AXIS Media Control (AMC) è un componente ActiveX che consente di supportare l'audio e la visualizzazione dei flussi video in Microsoft Internet Explorer. AMC viene installato automaticamente al primo utilizzo.

Una volta che AMC è installato, nella barra degli strumenti del visualizzatore di AMC saranno disponibili i controlli audio e video nella pagina Live View (Immagini dal vivo).

Se l'ambiente di lavoro non consente l'aggiunta di componenti software, è possibile configurare l'AXIS 214 in modo da utilizzare un'applet Java per l'aggiornamento delle immagini (solo per le immagini video e non per l'audio). Vedere i file della Guida in linea in Live View Config (Config immagini dal vivo) > Layout (Layout) > Default Viewer for Internet Explorer (Visualizzazione predefinita per Internet Explorer). In alternativa, utilizzare un altro browser Web supportato.

Accesso all'AXIS 214 da Internet

Una volta installata, la Videocamera di rete PTZ è accessibile dalla LAN. Per accedere alla Videocamera di rete PTZ da Internet, è necessario configurare i router di rete per consentire il traffico dei dati in entrata, operazione che solitamente viene effettuata su una porta specifica. Per ulteriori istruzioni sul router, fare riferimento alla documentazione.

Per ulteriori informazioni relative a questo e altri argomenti, visitare l'Axis Support Web all'indirizzo www.axis.com/techsup

Ripristino delle impostazioni di fabbrica

Questa procedura consentirà di ripristinare le impostazioni di fabbrica per tutti i parametri, incluso l'indirizzo IP.

1. Scollegare l'alimentazione dalla videocamera.
2. Tenere premuto il pulsante Reset (nella parte posteriore della videocamera) e ricollegare il cavo dell'alimentazione.
3. Tenere premuto il pulsante per 15 secondi, quindi rilasciarlo.
4. Reinstallare la videocamera utilizzando uno dei metodi descritti nel documento.

Ulteriori informazioni

Per ulteriori informazioni, vedere il Manuale dell'utente di AXIS 214, disponibile sul CD incluso nella confezione. Versioni aggiornate sono disponibili all'indirizzo www.axis.com

