

AXIS P1368-E Network Camera

Installation Guide

English

EN

France: Français

FR

Deutschland: Deutsch

DE

Italia: Italiano

IT

España: Español

ES

日本: 日本語

JA

中文: 简体中文

ZH

Legal considerations

Video and audio surveillance can be regulated by laws that vary from country to country. Check the laws in your local region before using this product for surveillance purposes.

This product includes the following licences:

- one (1) AAC decoder license
- one (1) H.264 decoder license

To purchase further licenses, contact your reseller.

Liability

Every care has been taken in the preparation of this document. Please inform your local Axis office of any inaccuracies or omissions. Axis Communications AB cannot be held responsible for any technical or typographical errors and reserves the right to make changes to the product and manuals without prior notice. Axis Communications AB makes no warranty of any kind with regard to the material contained within this document, including, but not limited to, the implied warranties of merchantability and fitness for a particular purpose. Axis Communications AB shall not be liable nor responsible for incidental or consequential damages in connection with the furnishing, performance or use of this material. This product is only to be used for its intended purpose.

Intellectual property rights

Axis AB has intellectual property rights relating to technology embodied in the product described in this document. In particular, and without limitation, these intellectual property rights may include one or more of the patents listed at axis.com/patent and one or more additional patents or pending patent applications in the US and other countries.

This product contains licensed third-party software. See the menu item "About" in the product's user interface for more information.

This product contains source code copyright Apple Computer, Inc., under the terms of Apple Public Source License 2.0 (see opensource.apple.com/apsl/). The source code is available from developer.apple.com/bonjour/.

Equipment modifications

This equipment must be installed and used in strict accordance with the instructions given in the user documentation. This equipment contains no user-serviceable components. Unauthorized equipment changes or modifications will invalidate all applicable regulatory certifications and approvals.

Trademark acknowledgements

AXIS COMMUNICATIONS, AXIS, ARTPEC and VAPIX are registered trademarks of Axis AB in various jurisdictions. All other trademarks are the property of their respective owners.

Apple, Apache, Bonjour, Ethernet, Internet Explorer, Linux, Microsoft, Mozilla, Real, SMPTE, QuickTime, UNIX, Windows, and WWW are registered trademarks of the respective holders. Java and all Java-based trademarks and logos are trademarks or registered trademarks of Oracle and/or its affiliates. The UPnP Word Mark and UPnP Logo are trademarks of Open Connectivity Foundation, Inc. in the United States or other countries.



microSD, microSDHC, and microSDXC Logos are trademarks of SD-3C LLC. microSD, microSDHC, microSDXC are trademarks or registered trademarks of SD-3C, LLC in the United States, other countries or both.

Regulatory information

Europe



This product complies with the applicable CE marking directives and harmonized standards:

- Electromagnetic Compatibility (EMC) Directive 2014/30/EU. See *Electromagnetic compatibility (EMC) on page 4*.
- Low Voltage Directive (LVD) 2014/35/EU. See *Safety on page 5*.
- Restriction of Hazardous Substances (RoHS) Directive 2011/65/EU and 2015/863, including any amendments, updates or replacements. See *Disposal and recycling on page 5*.

A copy of the original declaration of conformity may be obtained from Axis Communications AB. See *Contact information on page 5*.

Electromagnetic compatibility (EMC)

This equipment has been designed and tested to fulfill applicable standards for:

- Radio frequency emission when installed according to the instructions and used in its intended environment.
- Immunity to electrical and electromagnetic phenomena when installed according to the instructions and used in its intended environment.

USA

This device complies with part 15 of the FCC Rules. Operation is subject to the following two conditions:

1. This device may not cause harmful interference, and
2. this device must accept any interference received, including interference that may cause undesired operation.

This equipment has been tested using an unshielded network cable (UTP) and found to comply with the limits for a Class A digital device, pursuant to part 15 of the FCC rules. This equipment has also been tested using a shielded network cable (STP) and found to comply with the limits for a Class A digital device, pursuant to part 15 of the FCC rules. These limits are designed to provide reasonable protection against harmful interference when the equipment is operated in a commercial environment. This equipment generates, uses, and can radiate radio frequency energy and, if not installed and used in accordance with the instruction manual, may cause harmful interference to radio communications. Operation of this equipment in a residential area is likely to cause harmful interference in which case the user will be required to correct the interference at his own expense.

Contact information

Axis Communications Inc.
300 Apollo Drive
Chelmsford, MA 01824
United States of America
Tel: +1 978 614 2000

Canada

This digital apparatus complies with CAN ICES-3 (Class A). The product shall be connected using a shielded network cable (STP) that is properly grounded. Cet appareil numérique est conforme à la norme CAN NMB-3 (classe A). Le produit doit être connecté à l'aide d'un câble réseau blindé (STP) qui est correctement mis à la terre.

Europe

This digital equipment fulfills the requirements for RF emission according to the Class A limit of EN 55032. The product shall be connected using a shielded network cable (STP) that is properly grounded. Notice! This is a Class A product. In a domestic environment this product may cause RF interference, in which case the user may be required to take adequate measures.

Australia/New Zealand

This digital equipment fulfills the requirements for RF emission according to the Class A limit of AS/NZS CISPR 32. The product shall be connected using a shielded network cable (STP) that is properly grounded. Notice! This is a Class A product. In a domestic environment this product may cause RF interference, in which case the user may be required to take adequate measures.

Japan

この装置は、クラスA機器です。この装置を住宅環境で使用すると電波妨害を引き起こすことがあります。この場合には使用者が適切な対策を講ずるよう要求されることがあります。VCCI-A

本製品は、シールドネットワークケーブル (STP) を使用して接続してください。また適切に接地してください。

本製品は電気通信事業者（移动通信会社、固定通信会社、インターネットプロバイダ等）の通信回線（公衆無線LANを含む）に直接接続することができません。本製品をインターネットに接続する場合は、必ずルータ等を経由し接続してください。

Korea

이 기기는 업무용 환경에서 사용할 목적으로 적합성평가를 받은 기기로서 가정용 환경에서 사용하는 경우 전파간섭의 우려가 있습니다. 적절히 접지된 STP (shielded twisted pair) 케이블을 사용하여 제품을 연결 하십시오.

Safety

This product complies with IEC/EN/UL 62368-1, safety of audio/video and IT equipment, and IEC/EN/UL 60950-22, Safety of Information Technology Equipment. The product shall be grounded either through a shielded network cable (STP) or other appropriate method.

When used with Power over Ethernet (PoE), the Power Sourcing Equipment (PSE) shall comply with IEEE 802.3af and Limited Power Source (LPS) according to clause 2.5 of IEC/EN/UL 60950-1 or annex Q of IEC/EN/UL 62368-1.

We recommend the use of Axis midspans or Axis PoE switches.

Disposal and recycling

When this product has reached the end of its useful life, dispose of it according to local laws and regulations. For information about your nearest

designated collection point, contact your local authority responsible for waste disposal. In accordance with local legislation, penalties may be applicable for incorrect disposal of this waste.

Europe



This symbol means that the product shall not be disposed of together with household or commercial waste. Directive 2012/19/EU on waste electrical and electronic equipment (WEEE) is applicable in the European Union member states. To prevent potential harm to human health and the environment, the product must be disposed of in an approved and environmentally safe recycling process. For information about your nearest designated collection point, contact your local authority responsible for waste disposal. Businesses should contact the product supplier for information about how to dispose of this product correctly.

This product complies with the requirements of Directive 2011/65/EU and 2015/863 on the restriction of the use of certain hazardous substances in electrical and electronic equipment (RoHS).

China



This product complies with the requirements of SJ/T 11364-2014, Marking for the restriction of hazardous substances in electrical and electronic products.

有毒有害物质或元素						
部件名称	铅 (Pb)	汞 (Hg)	镉 (Cd)	六价铬 (Cr-VI)	多溴联苯 (PB-B)	多溴二苯醚 (PB-DE)
电气实装部分	X	0	0	0	0	0
0: 表示该有毒有害物质在该部件均质材料中的含量均在GB/T 26572标准规定的限量要求以下。 X: 表示该有毒有害物质至少在该部件的某一均质材料中的含量超出GB/T 26572标准规定的限量要求。						

Contact information

Axis Communications AB
Gränden 1
223 69 Lund
Sweden

Tel: +46 46 272 18 00

Fax: +46 46 13 61 30

axis.com

Warranty information

For information about Axis' product warranty and thereto related information, go to *axis.com/warranty*.

Support

Should you require any technical assistance, please contact your Axis reseller. If your questions cannot be answered immediately, your reseller will forward your queries through the appropriate channels to ensure a rapid response. If you are connected to the Internet, you can:

- download user documentation and software updates
- find answers to resolved problems in the FAQ database, search by product, category, or phrase
- report problems to Axis support staff by logging in to your private support area
- chat with Axis support staff
- visit Axis Support at *axis.com/support*

Learn more!

Visit Axis learning center *axis.com/academy* for useful trainings, webinars, tutorials and guides.

Package contents	11
Product overview	12
How to install the product	14
Install the hardware	14
Find the device on the network	20
Further information	22
Optional accessories	22
Specifications	23
SD card slot	23
Buttons	23
Connectors	24
Operating conditions	26
Power consumption	26
Safety information	27
Hazard levels	27
Other message levels	27
Safety instructions	28
Transportation	28
Battery	28
Contenu de l'emballage	29
Vue d'ensemble du produit	30
Comment installer le produit	32
Installation du matériel	32
Trouver le périphérique sur le réseau	38
Informations complémentaires	40
Accessoires en option	40
Caractéristiques	41
Fente pour carte SD	41
Boutons	42
Connecteurs	42
Conditions d'utilisation	44
Consommation électrique	44
Informations sur la sécurité	45
Niveaux de risques	45
Autres niveaux de message	45
Consignes de sécurité	46
Transport	46
Batterie	46
Lieferumfang	47
Produktübersicht	48
Installieren des Produkts	50
Die Hardware installieren	50
Das Gerät im Netzwerk ermitteln	57
Weitere Informationen	59
Optionales Zubehör	59
Technische Daten	60
Einschub für SD-Speicherkarte	60

AXIS P1368-E Network Camera

Tasten	60
Anschlüsse	61
Betriebsbedingungen	63
Leistungsaufnahme	63
Sicherheitsinformationen	65
Gefährdungsstufen	65
Andere Meldeebenen	65
Sicherheitsanweisungen	66
Transport	66
Batterie	66
Contenuto della confezione	67
Panoramica del dispositivo	68
Come installare il dispositivo	70
Installazione dell'hardware	70
Individuazione del dispositivo sulla rete	76
Ulteriori Informazioni	78
Accessori opzionali	78
Specifiche	79
Slot per schede di memoria	79
Pulsanti	80
Connettori	80
Condizioni di funzionamento	82
Consumo energetico	82
Informazioni di sicurezza	83
Livelli di pericolo	83
Altri livelli di messaggio	83
Informazioni di sicurezza	84
Trasporto	84
Batteria	84
Contenido del paquete	85
Información general del producto	86
Cómo instalar el producto	88
Instalación del hardware	88
Localice el dispositivo en la red	94
Más información	97
Accesorios opcionales	97
Especificaciones	98
Ranura para tarjetas SD	98
Botones	98
Conectores	99
Condiciones de funcionamiento	101
Consumo de energía	101
Información de seguridad	103
Niveles de peligro	103
Otros niveles de mensaje	103
Instrucciones de seguridad	104
Transporte	104

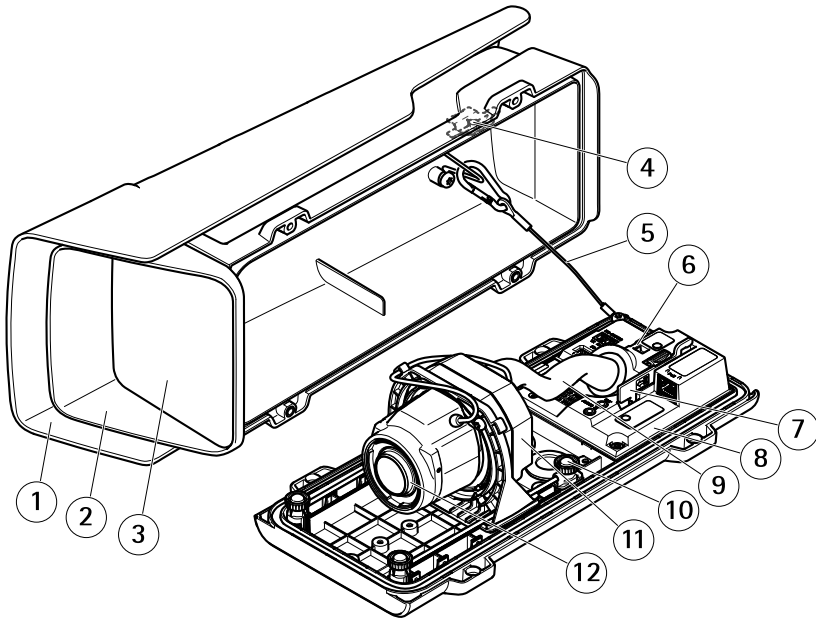
Bateria	104
パッケージの内容	105
製品の概要	106
製品の取り付け方法	108
ハードウェアのインストール	108
ネットワーク上のデバイスを検索する	115
関連情報	117
オプションアクセサリ	117
仕様	118
SDカードスロット	118
ボタン	119
コネクタ	119
動作条件	121
消費電力	121
安全情報	123
危険レベル	123
その他のメッセージレベル	123
安全手順	124
輸送	124
バッテリー	124
包装内容	125
产品概述	126
如何安装产品	128
安装硬件	128
在网络上查找设备	134
更多信息	136
可选附件	136
规格	137
SD 卡插槽	137
按钮	137
接口	138
工作条件	140
功耗	140
安全信息	141
危险等级	141
其他消息等级	141
安全说明	142
运输	142
电池	142

Package contents

- AXIS P1368-E Network Camera
- 4-pin I/O connector block for connecting external devices
- 2-pin RS485/422 connector block (x2)
- Wall mount
- Torx screwdriver T20
- Torx screwbit T30
- Mounting tool for RJ45
- IK10 tool
- Desiccant bag
- Printed materials
 - Installation Guide (this document)
 - Extra serial number label (2x)
 - AVHS Authentication key

AXIS P1368-E Network Camera

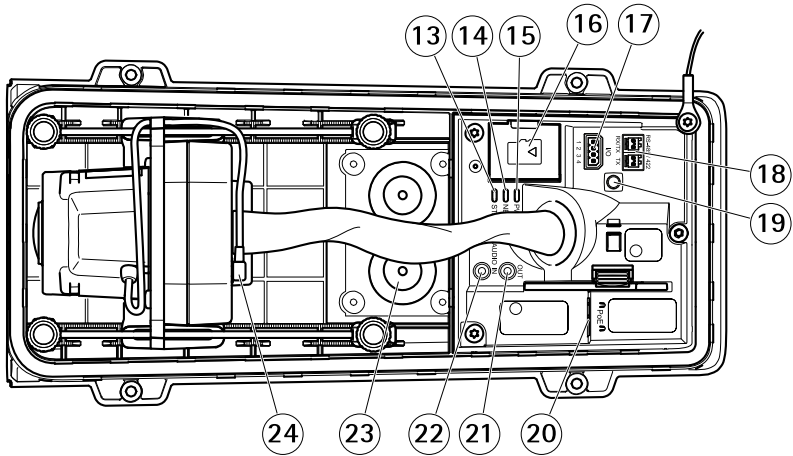
Product overview



- 1 Weather shield
- 2 Top cover
- 3 Window
- 4 Intrusion alarm magnet
- 5 Safety wire
- 6 Cable tie anchor
- 7 IK10 tool
- 8 Intrusion alarm sensor
- 9 Cable cover
- 10 Spring loaded thumb screw (4x)
- 11 Optic unit
- 12 Lens

NOTICE

Do not lift the product in the cable cover.



- 13 Status LED
- 14 Network LED
- 15 Power LED
- 16 microSD card slot
- 17 I/O connector
- 18 RS485/422 connector
- 19 Control button
- 20 Network connector (PoE)
- 21 Audio out
- 22 Audio in
- 23 Cable gasket M20 (2x)
- 24 Iris connector

How to install the product

Install the hardware

NOTICE

- Due to local regulations or the environmental and electrical conditions in which the product is to be used, a shielded network cable (STP) may be appropriate or required. All cables connecting the product to the network and that are routed outdoors or in demanding electrical environments shall be intended for their specific use. Make sure that the network devices are installed in accordance with the manufacturer's instructions.

For information about regulatory requirements, see *Regulatory information on page 4*

- Be careful not to scratch, damage or leave fingerprints on the window because this could decrease image quality.

The Axis product can be installed with the cables routed through or along the wall.

Read all the instructions before installing the product.

Install the Wall Mount

⚠CAUTION

Make sure that the screws and plugs are appropriate for the material (e.g. wood, metal, drywall, stone) and that the material is strong enough to support the combined weight of the camera, housing, and wall mount.

1. Prepare the wall for installation of the wall mount. Use the wall bracket as a template and mark the holes before drilling the holes.
2. Route the network cable through the wall bracket. Leave approximately 30 cm (11.8 in) of cable for connecting the camera.
3. If connecting an auxiliary device, for example an I/O, audio, or external power device, to the camera, repeat the step above as applicable to the specific device.
4. Fasten the wall bracket to the wall by tightening the screws.

Note

- For detailed instructions, see the wall mount's Installation Guide supplied in the package and available on www.axis.com

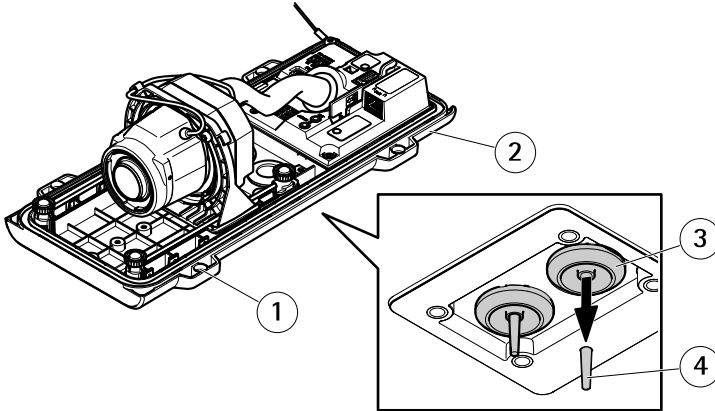
Install the camera

1. Loosen the bottom cover screws and lift the top cover.

NOTICE

- If more than one cable is used, each cable must be routed through a separate cable gasket.
- Only open a hole in cable gaskets that will be used and if a cable gasket is torn, replace it with a new cable gasket. Leaving a cable gasket open or using a torn cable gasket could cause water to seep in and damage the product.

- Use cables with a diameter of 4–9 mm (0.16–0.35 in).
2. Select which cable gasket to use and pull the tab to open a hole for the network cable.

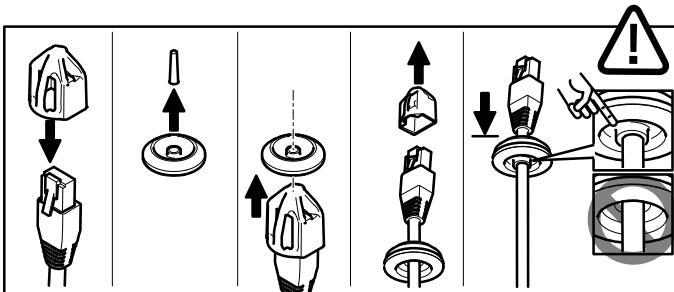


- 1 Bottom cover
- 2 Bottom cover screw T20 (4x)
- 3 Cable gasket M20 (2x)
- 4 Tab

3. Push the network cable through the cable gasket.

NOTICE

If the network cable has a premounted network connector, remove the cable gasket and use the connector guard to prevent tearing of the cable gasket. Avoid using network cables with capped network connectors because they could cause tearing of the cable gasket despite using the connector guard.



4. Pull the network cable back slightly so that the cable gasket adjusts itself on the cable.

AXIS P1368-E Network Camera

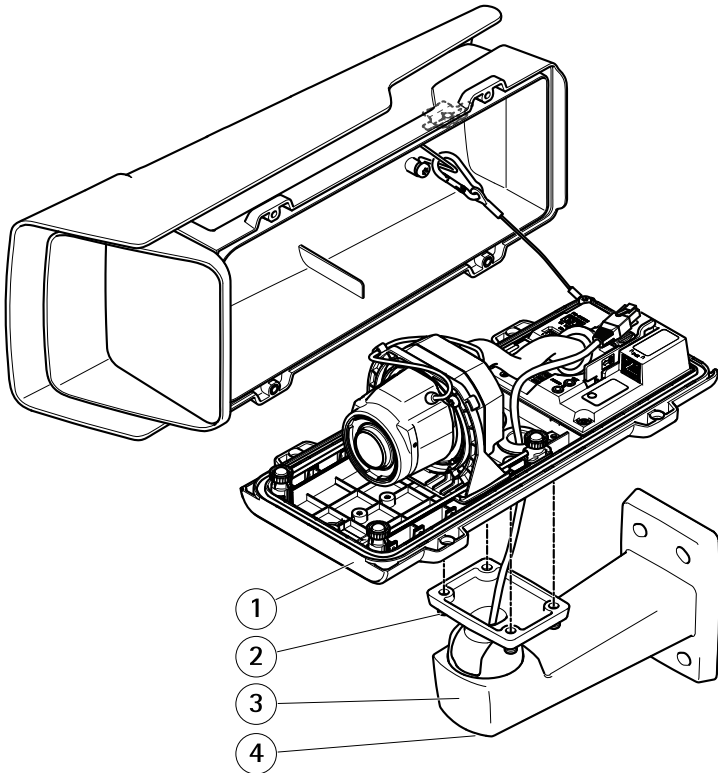
NOTICE

Not pulling the cable back could cause water to seep in and damage the product.

5. Make sure that the cable gasket is fitted properly.
6. If connecting an auxiliary device, for example an I/O, audio, or external power device, to the camera, repeat the steps above as applicable to the specific device.

NOTICE

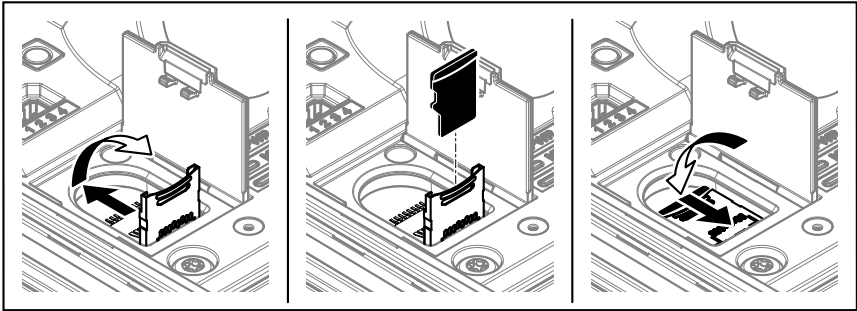
Mount the connectors after the cables are pushed through the cable gasket.



- 1 Bottom cover
- 2 Screw T20 (4x)
- 3 Wall bracket
- 4 Bracket adjustment screw T30

7. Put the bottom cover on the wall mount and tighten the screws (torque 2 Nm).

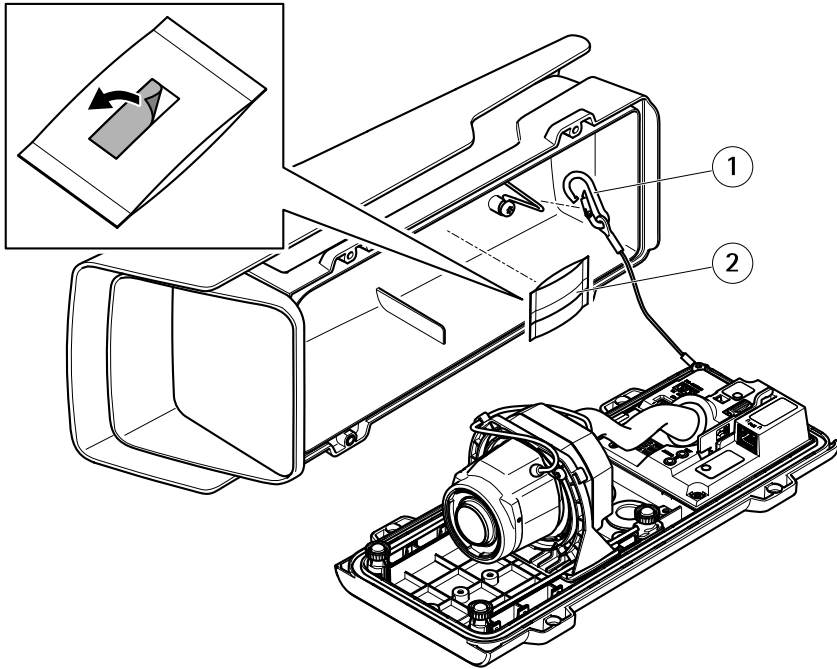
8. If applicable, connect external I/O devices or audio devices to the camera.



EN

9. If using an SD card for local storage, insert the card into the camera's SD card slot.
10. Connect the network cable.
11. Make sure that the camera LEDs indicate the correct condition. See *LED Indicators on page 23*.
12. Loosen the bracket adjustment screw to aim the camera to the point of interest. For information about how to view the video stream, see *Find the device on the network on page 20*.
13. On delivery, the lens is positioned correctly for IK10. If you move or replace the lens, you need to reposition the optical assembly to ensure IK10, see *How to position the lens for IK10 on page 20*.

AXIS P1368-E Network Camera



- 1 Safety hook
- 2 Desiccant bag

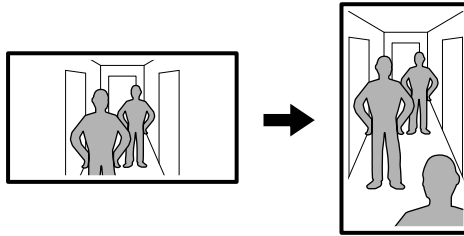
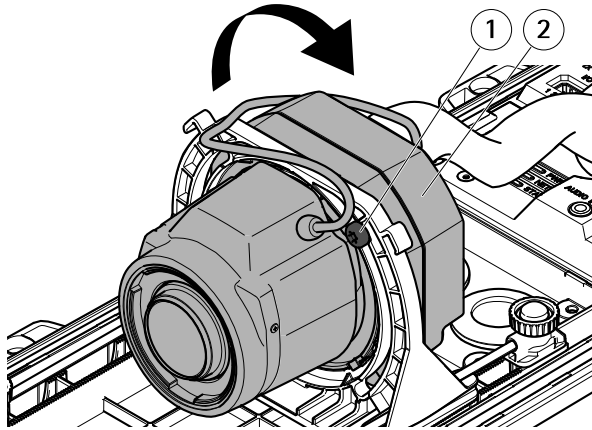
14. Remove the plastic wrapper from the desiccant bag.
15. Remove the protective strip from the adhesive and attach the desiccant bag to the top cover.
16. Close the housing. Alternately tighten the bottom cover screws a few turns at a time until they are tight (torque 1.5 Nm). This will compress the bottom cover gasket evenly.

NOTICE

Do not pinch any cables when closing the housing.

17. If required, loosen the screws on the weather shield, adjust its position and tighten the screws.

How to set up corridor format

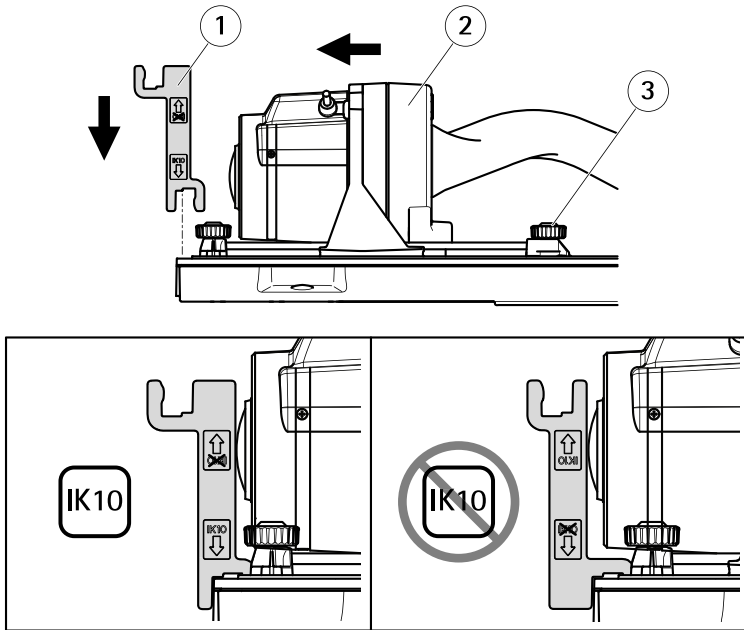


- 1 Lock screw (2x)
- 2 Optic unit

1. Loosen the two lock screws.
2. Rotate the optic unit.
3. Tighten the lock screws.
4. Go to the **Stream** tab on the product's webpage and rotate the view 90°.

AXIS P1368-E Network Camera

How to position the lens for IK10



- 1 IK10 tool
- 2 Optic unit
- 3 Spring loaded thumb screw (4x)

1. Zoom the lens to its widest position.
2. Attach the IK10 tool to the bottom cover.
3. Loosen the spring loaded thumb screws.
4. Move the lens so that it touches the tool.
5. Tighten the thumb screws.

Find the device on the network

To find Axis devices on the network and assign them IP addresses in Windows®, use AXIS IP Utility or AXIS Device Manager. Both applications are free and can be downloaded from axis.com/support.

For more information about how to find and assign IP addresses, go to [How to assign an IP address and access your device](#).

Important

Reset to factory default should be used with caution. A reset to factory default resets all settings, including the IP address, to the factory default values.

To reset the product to the factory default settings:

1. Disconnect power from the product.
2. Press and hold the control button while reconnecting power. See *Product overview on page 12*.
3. Keep the control button pressed for 15–30 seconds until the status LED indicator flashes amber.
4. Release the control button. The process is complete when the status LED indicator turns green. The product has been reset to the factory default settings. If no DHCP server is available on the network, the default IP address is 192.168.0.90.
5. Use the installation and management software tools to assign an IP address, set the password, and access the video stream.

The installation and management software tools are available from the support pages on axis.com/support.

It is also possible to reset parameters to factory default through the web interface. Go to **Settings > System > Maintenance** and click **Default**.

AXIS P1368-E Network Camera

Further information

- For the latest version of this document, see *axis.com*
- The user manual is available at *axis.com*
- To check if there is updated firmware available for your device, see *axis.com/support*
- For useful online trainings and webinars, see *axis.com/academy*

Optional accessories

For a complete list of available accessories for this product, go to the product's page on *axis.com* and select Software & Accessories.

Specifications

LED Indicators

Status LED	Indication
Green	Steady green for normal operation.
Amber	Steady during startup. Flashes when restoring settings.

Network LED	Indication
Green	Steady for connection to a 100 Mbit/s network. Flashes for network activity.
Amber	Steady for connection to a 10 Mbit/s network. Flashes for network activity.
Unlit	No network connection.

Power LED	Indication
Green	Normal operation.
Amber	Flashes green/amber during firmware upgrade.

SD card slot

NOTICE

- Risk of damage to SD card. Do not use sharp tools, metal objects, or excessive force when inserting or removing the SD card. Use your fingers to insert and remove the card.
- Risk of data loss and corrupted recordings. Do not remove the SD card while the product is running. Unmount the SD card from the product's webpage before removal.

This product supports microSD/microSDHC/microSDXC cards.

For SD card recommendations, see axis.com.

Buttons

Control button

The control button is used for:

- Resetting the product to factory default settings. See .

AXIS P1368-E Network Camera

Connectors

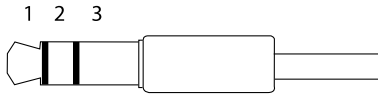
Network connector

RJ45 Ethernet connector with Power over Ethernet (PoE).

Audio connector

The Axis product has the following audio connectors:

- **Audio in** – 3.5 mm input for a mono microphone, or a line-in mono signal (left channel is used from a stereo signal).
- **Audio out** – 3.5 mm output for audio (line level) that can be connected to a public address (PA) system or an active speaker with a built-in amplifier. A stereo connector must be used for audio out.



3.5 mm audio connectors (stereo)

	1 Tip	2 Ring	3 Sleeve
Audio Input	Microphone/Line in		Ground
Audio Output	Line out (mono)		Ground

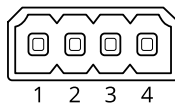
I/O connector

Use the I/O connector with external devices in combination with, for example, motion detection, event triggering, and alarm notifications. In addition to the 0 V DC reference point and power (DC output), the I/O connector provides the interface to:

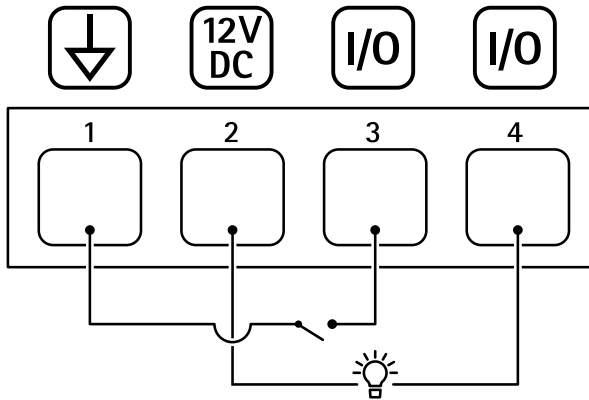
Digital input – For connecting devices that can toggle between an open and closed circuit, for example PIR sensors, door/window contacts, and glass break detectors.

Digital output – For connecting external devices such as relays and LEDs. Connected devices can be activated by the VAPIX® Application Programming Interface, through an event or from the product's webpage.

4-pin terminal block



Example



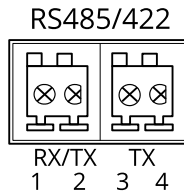
- 1 DC ground
- 2 DC output 12 V, max 50mA
- 3 I/O configured as input
- 4 I/O configured as output

RS485/RS422 connector

Two 2-pin terminal blocks for RS485/RS422 serial interface used to control auxiliary equipment such as pan-tilt devices.

The serial port can be configured to support:

- Two-wire RS485 half duplex
- Four-wire RS485 full duplex
- Two-wire RS422 simplex
- Four-wire RS422 full duplex point to point communication



AXIS P1368-E Network Camera

Function	Pin	Notes
RS485B alt RS485/422 RX(B)	1	RX pair for all modes (combined RX/TX for 2-wire RS485)
RS485A alt RS485/422 RX(A)	2	
RS485/RS422 TX(B)	3	TX pair for RS422 and 4-wire RS485
RS485/RS422 TX(A)	4	

Important

The maximum cable length is 30 m (98 ft).

Operating conditions

Product	Temperature	Humidity
AXIS P1368-E	-40 °C to 55 °C (-40 °F to 131 °F)	10–100% RH (condensing)

Power consumption

Product	Power over Ethernet (PoE) IEEE 802.3af/802.3at Type 1 Class 3
AXIS P1368-E	Max. 9.5 W Typical 6.4 W

Safety information

Hazard levels

▲DANGER

Indicates a hazardous situation which, if not avoided, will result in death or serious injury.

▲WARNING

Indicates a hazardous situation which, if not avoided, could result in death or serious injury.

▲CAUTION

Indicates a hazardous situation which, if not avoided, could result in minor or moderate injury.

NOTICE

Indicates a situation which, if not avoided, could result in damage to property.

Other message levels

Important

Indicates significant information which is essential for the product to function correctly.

Note

Indicates useful information which helps in getting the most out of the product.

AXIS P1368-E Network Camera

Safety instructions

NOTICE

- The Axis product shall be used in compliance with local laws and regulations.
- Axis recommends using a network cable of category CAT5e or higher.
- Store the Axis product in a dry and ventilated environment.
- Avoid exposing the Axis product to shocks or heavy pressure.
- Do not install the product on unstable poles, brackets, surfaces or walls.
- Use only applicable tools when installing the Axis product. Using excessive force with power tools could cause damage to the product.
- Do not use chemicals, caustic agents, or aerosol cleaners.
- Use a clean cloth dampened with pure water for cleaning.
- Use only accessories that comply with the technical specification of your product. These can be provided by Axis or a third party. Axis recommends using Axis power source equipment compatible with your product.
- Use only spare parts provided by or recommended by Axis.
- Do not attempt to repair the product yourself. Contact Axis support or your Axis reseller for service matters.

Transportation

NOTICE

- When transporting the Axis product, use the original packaging or equivalent to prevent damage to the product.

Battery

The Axis product uses a 3.0 V CR2032 lithium battery as the power supply for its internal real-time clock (RTC). Under normal conditions this battery will last for a minimum of five years.

CAUTION

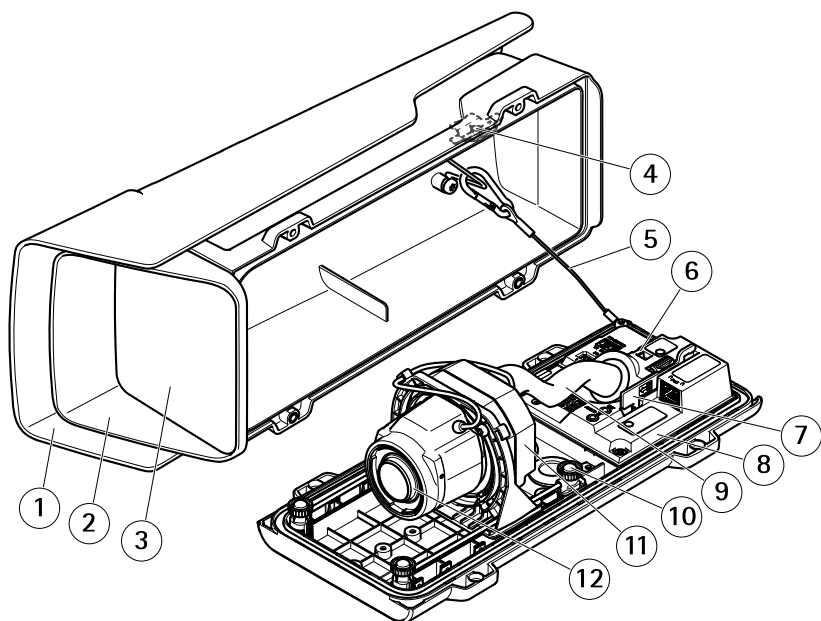
Do not replace the battery yourself. Contact Axis support if the log message requests a battery change.

Lithium coin cell 3.0 V batteries contain 1,2-dimethoxyethane; ethylene glycol dimethyl ether (EGDME), CAS no. 110-71-4.

Contenu de l'emballage

- Caméra réseau AXIS P1368-E
- Bloc de connexion à 4 broches pour le raccordement de dispositifs externes au connecteur pour terminaux E/S
- Bloc de connexion RS485/422 à 2 broches (x2)
- Support mural
- Tournevis Torx T20
- Embout pour vis Torx T30
- Outil de montage pour RJ45
- Outil IK10
- Sachet dessiccant
- Documents imprimés
 - Guide d'installation (ce document)
 - Étiquette supplémentaire de numéro de série (x2)
 - Clé d'authentification AVHS

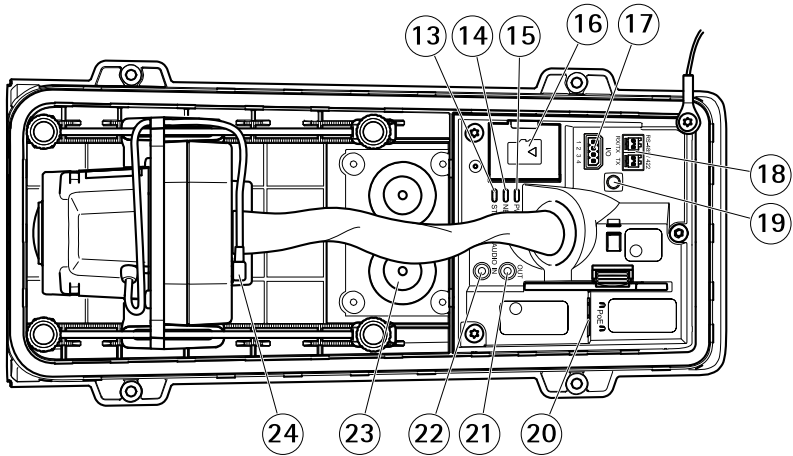
Vue d'ensemble du produit



- 1 Protection étanche
- 2 Couvercle supérieur
- 3 Fenêtre
- 4 Aimant d'alarme d'intrusion
- 5 Câble de sécurité
- 6 Point d'attache de câbles
- 7 Outil IK10
- 8 Capteur d'alarme d'intrusion
- 9 Couvercle de câble
- 10 Vis papillon de pression (x4)
- 11 Unité optique
- 12 Objectif

AVIS

Ne soulevez pas le produit dans le couvercle de câble.



- 13 *Voyant d'état*
- 14 *Voyant réseau*
- 15 *Voyant d'alimentation*
- 16 *Emplacement pour carte microSD*
- 17 *Connecteur d'E/S*
- 18 *Connecteur RS485/422*
- 19 *Bouton de commande*
- 20 *Connecteur réseau (PoE)*
- 21 *Sortie audio*
- 22 *Entrée audio*
- 23 *Joint de câble M20 (x2)*
- 24 *Connecteur du diaphragme*

Comment installer le produit

Installation du matériel

AVIS

- Les réglementations locales ou les conditions environnementales et électriques dans lesquelles le produit est utilisé peuvent nécessiter l'utilisation d'un câble réseau blindé (STP). Tous les câbles réseau qui sont acheminés à l'extérieur ou dans des environnements électriques exigeants doivent être destinés à leur usage spécifique. Assurez-vous que les périphériques réseau sont installés conformément aux instructions du fabricant.

Pour plus d'informations sur les exigences réglementaires, consultez *Regulatory information on page 4*

- Veillez à ne pas rayer, endommager ou laisser d'empreintes sur la vitre, car cela pourrait altérer la qualité d'image.

Le produit Axis peut être installé avec des câbles acheminés à travers ou le long du mur.

Lisez toutes les instructions avant l'installation de l'appareil.

Installation de la fixation murale

⚠ATTENTION

Assurez-vous que les vis et les fiches sont adaptées au matériau (bois, métal, cloison sèche, pierre, etc.) et que le matériau est suffisamment résistant pour supporter le poids combiné de la caméra, du boîtier et du support mural.

1. Préparez le mur pour l'installation du support mural. Utilisez le support mural comme gabarit et marquez les emplacements des trous avant de les percer.
2. Acheminez le câble réseau à travers le support mural. Laissez environ 30 cm (11,8") de câble pour la connexion de la caméra.
3. Si vous connectez un périphérique auxiliaire (par exemple, un périphérique d'entrée/sortie, audio ou d'alimentation externe) à la caméra, répétez l'étape ci-dessus pour chaque périphérique.
4. Serrez les vis du support mural pour le fixer.

Note

- Pour obtenir des instructions détaillées, reportez-vous au guide d'installation de la fixation murale disponible dans la boîte et sur le site www.axis.com.

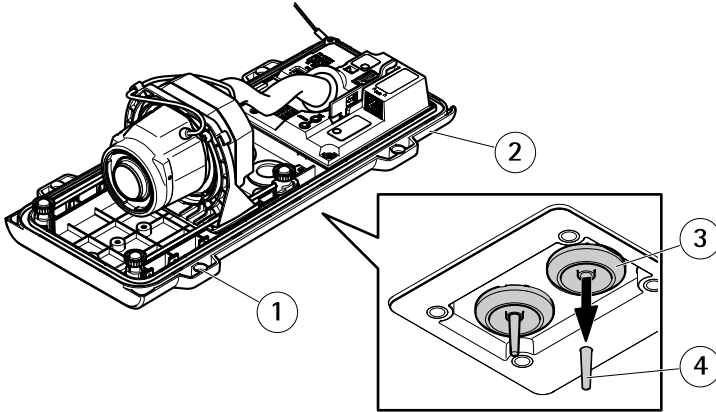
Installation de la caméra

1. Desserrez les vis du couvercle inférieur et soulevez le couvercle supérieur.

AVIS

- Si vous utilisez plusieurs câbles, chacun doit être acheminé au travers d'un joint de câble distinct.

- Ouvrez uniquement un trou dans les joints de câble qui seront utilisés. Si un joint de câble est endommagé, remplacez-le par un nouveau. L'utilisation d'un joint de câble ouvert ou endommagé risque d'entraîner une infiltration d'eau et d'endommager le produit.
2. Sélectionnez le joint de câble à utiliser et tirez sur la patte pour ouvrir un trou au niveau du câble réseau.

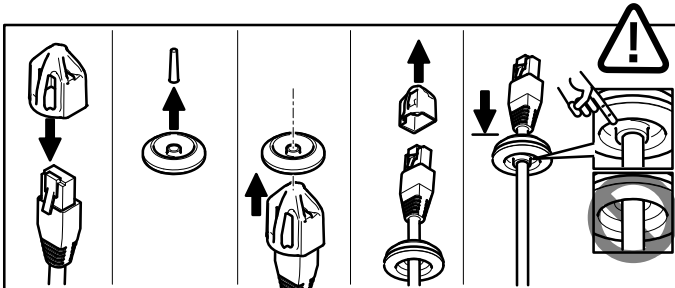


- 1 *Couvercle inférieur*
- 2 *Vis du couvercle inférieur T20 (x4)*
- 3 *Joint de câble M20 (x2)*
- 4 *Patte*

3. Faites passer le câble réseau à travers le joint de câble.

AVIS

Si le câble réseau dispose d'un connecteur réseau pré-installé, retirez le joint de câble et utilisez la protection du connecteur pour éviter tout endommagement du joint de câble. Évitez d'utiliser des câbles réseau équipés de connecteurs réseau recouverts, car ils peuvent endommager le joint de câble, et ce malgré leur protection.



AXIS P1368-E Network Camera

4. Tirez légèrement sur le câble réseau pour que le joint s'ajuste dessus.

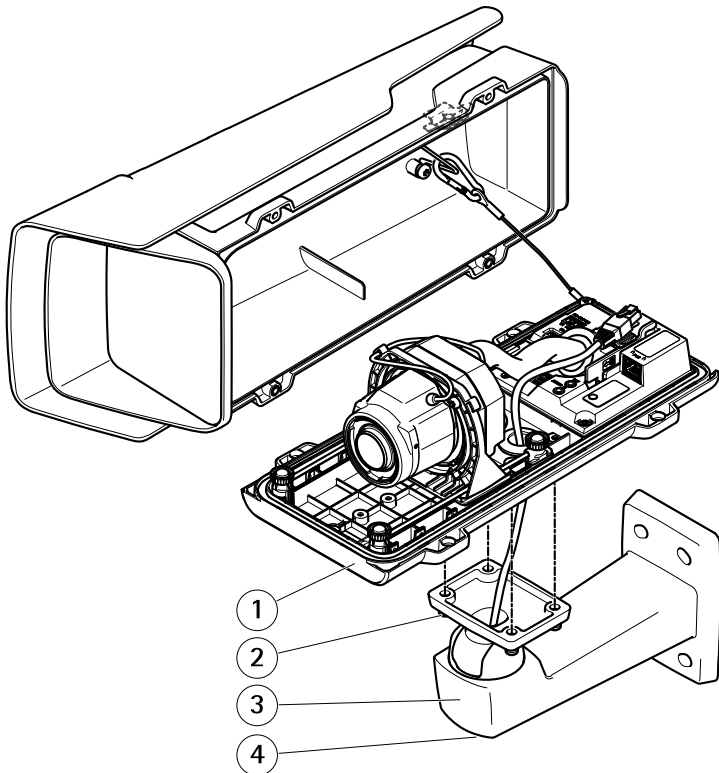
AVIS

Si vous ne tirez pas sur le câble, il existe un risque d'infiltration d'eau et d'endommagement du produit.

5. Assurez-vous que le joint de câble est correctement installé.
6. Si vous connectez un périphérique auxiliaire (par exemple, un périphérique d'entrée/sortie, audio ou d'alimentation externe) à la caméra, répétez les étapes ci-dessus pour chaque périphérique.

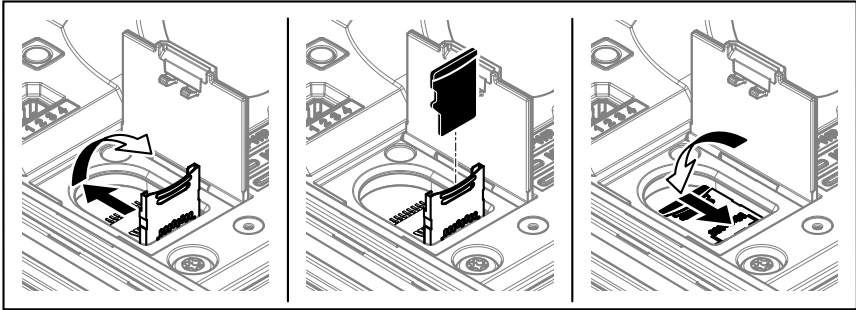
AVIS

Installez les connecteurs une fois les câbles insérés dans le joint de câble.



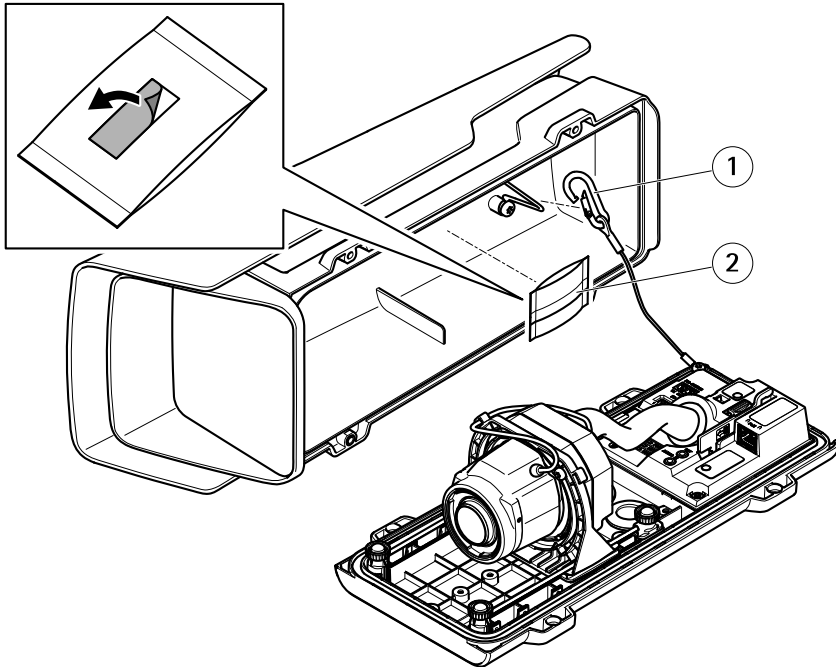
- 1 Couvercle inférieur
- 2 Vis T20 (x4)
- 3 Support mural
- 4 Vis de réglage du support T30

- Placez le couvercle inférieur sur la fixation murale et serrez les vis (couple 2 Nm).
- Le cas échéant, connectez les dispositifs d'E/S ou les appareils audio externes à la caméra.



FR

- Si vous utilisez une carte SD en tant qu'espace de stockage local, insérez la carte dans le logement prévu à cet effet sur la caméra.
- Branchez le câble réseau.
- Vérifiez que les voyants de la caméra indiquent une condition correcte. Cf. *Voyants page 41*.
- Desserrez la vis de réglage du support afin d'orienter la caméra dans la direction voulue. Pour savoir comment voir le flux de données vidéo, consultez *Trouver le périphérique sur le réseau page 38*
- À la livraison, l'objectif est positionné correctement pour l'outil IK10. Si vous déplacez ou remplacez l'objectif, vous devez repositionner correctement l'ensemble optique pour l'outil IK10, voir *Positionnement de l'objectif pour IK10 page 38*.



- 1 *Crochet de sécurité*
- 2 *Sachet dessiccatif*

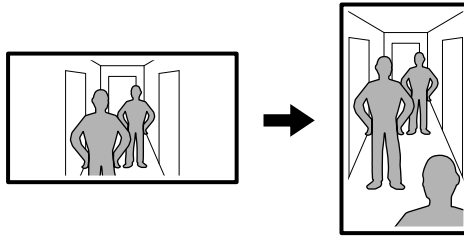
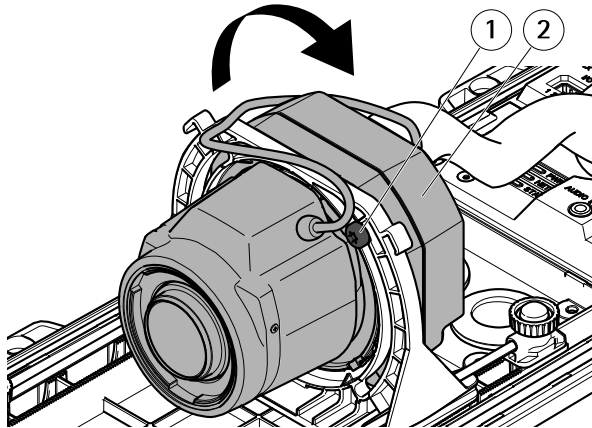
14. Retirez la protection en plastique du sachet dessiccatif.
15. Retirez la bande de protection de l'adhésif et fixez le sachet dessiccatif au couvercle supérieur.
16. Fermez le boîtier. Vous pouvez également serrer les vis du couvercle inférieur de quelques tours à la fois jusqu'à ce qu'elles soient toutes bien serrées (couple 1,5 Nm). Cela permettra de compresser le joint du couvercle inférieur de façon régulière.

AVIS

Ne pincez aucun câble à la fermeture du boîtier.

17. Le cas échéant, desserrez les vis de la protection étanche, ajustez sa position, puis serrez les vis.

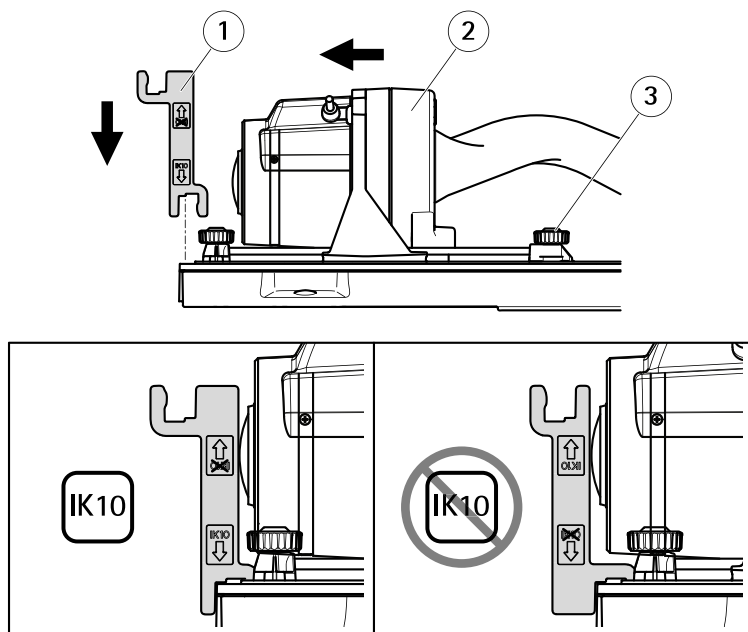
Configuration du format corridor



- 1 Vis de verrouillage (x2)
- 2 Unité optique

1. Desserrez les deux vis de verrouillage.
2. Faites pivoter l'unité optique.
3. Serrez les vis de verrouillage.
4. Accédez à l'onglet **Stream (Flux)** de la page Web du produit et faites pivoter la vue à 90 °.

Positionnement de l'objectif pour IK10



- 1 Outil IK10
- 2 Unité optique
- 3 Vis papillon de pression (x4)

1. Réglez l'objectif sur le zoom le plus large.
2. Fixez l'outil IK10 au couvercle inférieur.
3. Desserrez les vis papillon.
4. Déplacez l'objectif jusqu'à ce qu'il soit en contact avec l'outil.
5. Serrez les vis papillon.

Trouver le périphérique sur le réseau

Pour trouver les périphériques Axis présents sur le réseau et leur attribuer des adresses IP sous Windows®, utilisez AXIS IP Utility ou AXIS Device Manager. Ces applications sont gratuites et peuvent être téléchargées via axis.com/support.

Pour plus d'informations sur la détection et l'assignation d'adresses IP, voir le document *Comment assigner une adresse IP et accéder à votre périphérique*.

Important

La réinitialisation aux paramètres par défaut doit être utilisée avec prudence. Cette opération restaure tous les paramètres par défaut, y compris l'adresse IP.

Pour réinitialiser l'appareil aux paramètres d'usine par défaut :

1. Déconnectez l'alimentation de l'appareil.
2. Maintenez le bouton de commande enfoncé en remettant l'appareil sous tension. Cf. *Vue d'ensemble du produit page 30*.
3. Maintenez le bouton de commande enfoncé pendant 15 à 30 secondes, jusqu'à ce que le voyant d'état clignote en orange.
4. Relâchez le bouton de commande. Le processus est terminé lorsque le voyant d'état passe au vert. Les paramètres d'usine par défaut de l'appareil ont été rétablis. En l'absence d'un serveur DHCP sur le réseau, l'adresse IP par défaut est 192 . 168 . 0 . 90.
5. Utilisez les outils d'installation et de gestion pour attribuer une adresse IP, configurer le mot de passe et accéder au flux de données vidéo.

Les logiciels d'installation et de gestion sont disponibles sur les pages d'assistance du site axis.com/support.

Vous pouvez également restaurer les paramètres par défaut à partir de l'interface Web. Accédez à **Settings > System > Maintenance (Paramètres > Système > Maintenance)** , puis cliquez sur **Default (Par défaut)**.

Informations complémentaires

- Pour obtenir la version la plus à jour de ce document, voir axis.com
- Le manuel d'utilisateur est disponible sur le site axis.com
- Pour vérifier s'il existe un firmware mis à jour pour votre appareil, voir axis.com/support
- Pour accéder à des formations et webinaires en ligne utiles, voir axis.com/academy

Accessoires en option

Pour une liste complète des accessoires disponibles pour ce produit, accédez à la page du produit sur axis.com et sélectionnez Logiciel et accessoires.

Caractéristiques

Voyants

LED de statut	Indication
Vert	Vert et fixe en cas de fonctionnement normal.
Orange	Fixe pendant le démarrage. Clignote lors de la restauration des paramètres.

LED réseau	Indication
Verte	Fixe en cas de connexion à un réseau de 100 Mbits/s. Clignote en cas d'activité réseau.
Orange	Fixe en cas de connexion à un réseau de 10 Mbit/s. Clignote en cas d'activité réseau.
Éteint	Pas de connexion réseau.

Power LED	Indication
Verte	Fonctionnement normal.
Orange	Le voyant vert/orange clignote pendant la mise à niveau du firmware.

Fente pour carte SD

AVIS

- Risque de dommages à la carte SD. N'utilisez pas d'outils tranchants ou d'objets métalliques pour insérer ou retirer la carte SD, et ne forcez pas lors son insertion ou de son retrait. Utilisez vos doigts pour insérer et retirer la carte.
- Risque de perte de données et d'enregistrements corrompus. Ne retirez pas la carte SD pendant que le produit fonctionne. Démontez la carte SD de la page Web du produit avant le retrait.

Ce produit est compatible avec les cartes microSD/microSDHC/microSDXC.

Pour des recommandations sur les cartes SD, rendez-vous sur axis.com.

Boutons

Bouton de commande

Le bouton de commande permet de réaliser les opérations suivantes :

- Réinitialisation du produit aux paramètres d'usine par défaut. Cf. .

Connecteurs

Connecteur réseau

Connecteur Ethernet RJ45 avec l'alimentation par Ethernet (PoE).

Connecteur audio

Le produit Axis dispose des connecteurs audio suivants :

- **Entrée audio** – entrée de 3,5 mm pour microphone mono ou signal d'entrée mono (le canal de gauche est utilisé pour le signal stéréo).
- **Sortie audio** – sortie de 3,5 mm (niveau de ligne) qui peut être connectée à un système de sonorisation ou à un haut-parleur actif avec amplificateur intégré. Un connecteur stéréo doit être utilisé pour la sortie audio.

Connecteurs
audio 3,5 mm (stéréo)



	1 Pointe	2 Anneau	3 Manchon
Entrée audio	Entrée micro/ligne		Masse
Sortie audio	Sortie ligne (mono)		Masse

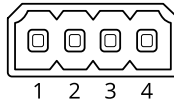
Connecteur d'E/S

Utilisez le connecteur d'E/S avec des périphériques externes, associés aux applications telles que la détection de mouvement, le déclenchement d'événements et les notifications d'alarme. En plus du point de référence 0 V CC et de l'alimentation (sortie CC), le connecteur d'E/S fournit une interface aux éléments suivants :

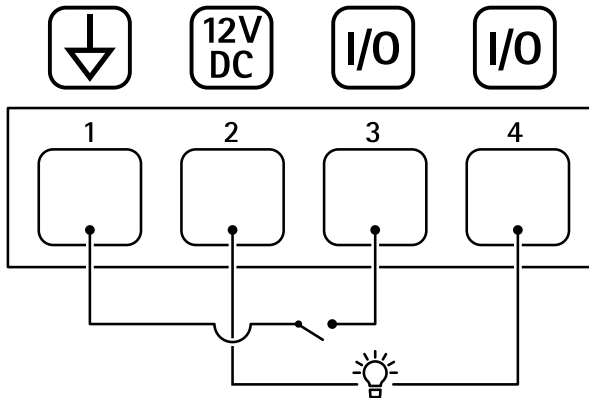
Entrée numérique – Pour connecter des dispositifs pouvant passer d'un circuit ouvert à un circuit fermé, par exemple capteurs infrarouge passifs, contacts de porte/fenêtre et détecteurs de bris de verre.

Sortie numérique – Permet de connecter des dispositifs externes, comme des relais ou des voyants. Les appareils connectés peuvent être activés par l'interface de programmation VAPIX®, via un événement ou à partir de la page Web du produit.

Bloc terminal à 4 broches



Exemple



- 1 Masse du CC
- 2 Sortie CC 12 V, maxi. 50 mA
- 3 Entrée/sortie configurée comme entrée
- 4 Entrée/sortie configurée comme sortie

Connecteur RS485/RS422

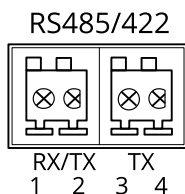
Deux blocs terminaux à 2 broches pour l'interface série RS485/RS422 utilisée pour commander les équipements auxiliaires, tels que les dispositifs panoramique/inclinaison.

Le port série peut être configuré pour la prise en charge de :

- RS485 semi-duplex sur deux fils
- RS485 duplex intégral sur quatre fils
- RS422 simplex sur deux fils

AXIS P1368-E Network Camera

- RS422 duplex intégral sur quatre fils pour communication point à point



Fonction	Broche	Notes
RS485B alt RS485/422 RX(B)	1	Paire RX pour tous les modes (RX/TX combiné pour RS485 à 2 fils)
RS485A alt RS485/422 RX(A)	2	
RS485/RS422 TX(B)	3	Paire TX pour RS422 et RS485 à 4 fils
RS485/RS422 TX(A)	4	

Important

La longueur maximale de câble est de 30 mètres (98 pieds).

Conditions d'utilisation

Produit	Température	Humidité
AXIS P1368-E	De -40 °C à 55 °C (-40 °F à 131 °F)	Humidité relative de 10 à 100 % (avec condensation)

Consommation électrique

AVIS

Utilisez une source d'alimentation limitée (LPS) dont la puissance de sortie nominale est limitée à ≤ 100 W ou dont le courant de sortie nominal est limité à ≤ 5 A.

Produit	Alimentation par Ethernet (PoE) IEEE 802.3af/802.3at Type 1 Classe 3
AXIS P1368-E	Max. 9,5 W Standard 6,4 W

Informations sur la sécurité

Niveaux de risques

▲ DANGER

Indique une situation dangereuse qui, si elle n'est pas évitée, entraînera le décès ou des blessures graves.

▲ AVERTISSEMENT

Indique une situation dangereuse qui, si elle n'est pas évitée, pourrait entraîner le décès ou des blessures graves.

▲ ATTENTION

Indique une situation dangereuse qui, si elle n'est pas évitée, pourrait entraîner des blessures légères ou modérées.

AVIS

Indique une situation qui, si elle n'est pas évitée, pourrait endommager l'appareil.

Autres niveaux de message

Important

Indique les informations importantes, nécessaires pour assurer le bon fonctionnement de l'appareil.

Note

Indique les informations utiles qui permettront d'obtenir le fonctionnement optimal de l'appareil.

Consignes de sécurité

AVIS

- Le produit Axis doit être utilisé conformément aux lois et règlements locaux.
- Axis recommande d'utiliser un câble réseau de catégorie CAT5e ou supérieure.
- Conserver ce produit Axis dans un environnement sec et ventilé.
- Ne pas exposer ce produit Axis aux chocs ou aux fortes pressions.
- Ne pas installer ce produit sur des poteaux, supports, surfaces ou murs instables.
- Utiliser uniquement des outils recommandés pour l'installation de l'appareil Axis. L'application d'une force excessive sur l'appareil avec des outils puissants pourrait l'endommager.
- Ne pas utiliser de produits chimiques, de substances caustiques ou de nettoyeurs pressurisés.
- Utiliser un chiffon propre imbibé d'eau pure pour le nettoyage.
- Utiliser uniquement des accessoires conformes aux caractéristiques techniques de votre produit. Ils peuvent être fournis par Axis ou un tiers. Axis recommande d'utiliser un équipement d'alimentation Axis compatible avec votre produit.
- Utiliser uniquement les pièces de rechange fournies ou recommandées par Axis.
- Ne pas essayer de réparer vous-même ce produit. Contacter l'assistance technique d'Axis ou votre revendeur Axis pour des problèmes liés à l'entretien.

Transport

AVIS

- Lors du transport du produit Axis, utilisez l'emballage d'origine ou un équivalent pour éviter d'endommager le produit.

Batterie

Le produit Axis utilise une batterie au lithium CR2032 3,0 V comme alimentation de son horloge en temps réel interne (RTC). Dans des conditions normales, cette batterie a une durée de vie minimale de cinq ans.

⚠ ATTENTION

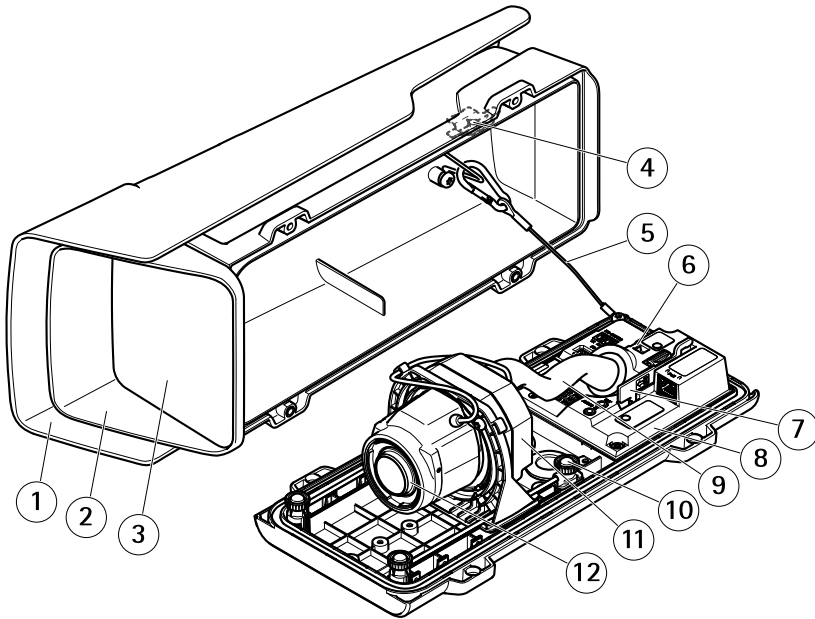
Ne remplacez pas la batterie vous-même. Contactez le support Axis si le message du journal demande un changement de batterie.

Les piles boutons 3,0 V au lithium contiennent du 1,2-diméthoxyéthane, éthylène glycol diméthyl éther (EGDME), CAS n° 110-71-4.

Lieferumfang

- AXIS P1368-E Netzwerk-Kamera
- 4-poliger E/A-Anschlussblock für den Anschluss externer Geräte
- 2-poliger RS485/422-Anschlussblock (2x)
- Wandhalterung
- Torx T20-Schraubendreher
- Torx T30-Schraubenset
- RJ-45-Montagewerkzeug
- IK10-Werkzeug
- Antikondensationsbeutel
- Gedruckte Dokumente
 - Installationsanleitung (dieses Dokument)
 - Zusätzliche Etiketten mit der Seriennummer (2x)
 - AVHS-Authentifizierungsschlüssel

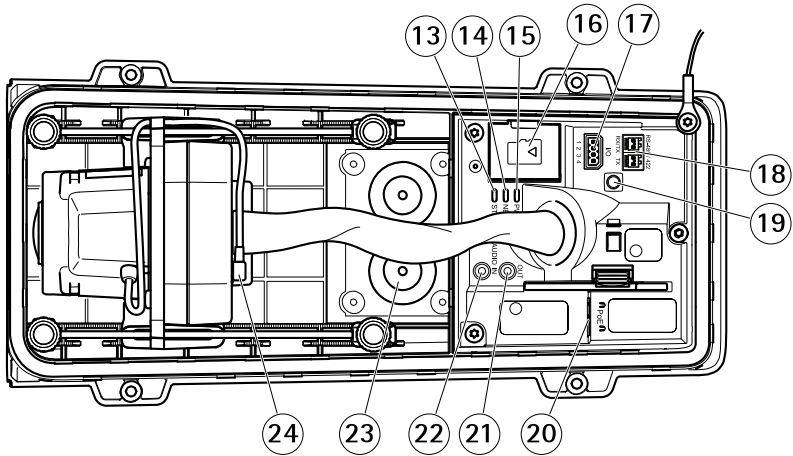
Produktübersicht



- 1 Wetterschutz
- 2 Obere Abdeckung
- 3 Fenster
- 4 Einbruchalarmmagnet
- 5 Sicherheitsdraht
- 6 Kabelbinderverankerung
- 7 IK10-Werkzeug
- 8 Einbruchalarmsensor
- 9 Kabelabdeckung
- 10 Gefederte Rändelschrauben (4x)
- 11 Optisches Gerät
- 12 Objektiv

HINWEIS

Heben Sie das Produkt nicht in die Kabelabdeckung hinein.



- 13 Status LED
- 14 Netzwerk LED
- 15 Netz-LED
- 16 microSD-Kartensteckplatz
- 17 E/A-Anschluss
- 18 RS485/422-Anschluss
- 19 Steuertaste
- 20 Netzwerkanschluss (PoE)
- 21 Audioausgang
- 22 Audioeingang
- 23 Kabeldichtung M20 (2x)
- 24 Blendenanschluss

Installieren des Produkts

Die Hardware installieren

HINWEIS

- Aufgrund örtlicher Vorschriften oder der Umgebungsbedingungen und elektrischen Bedingungen, unter denen das Produkt verwendet wird, kann ein abgeschirmtes Netzkabel (STP) empfehlenswert oder notwendig sein. Alle Netzkabel des Produkts, die im Außenbereich oder in anspruchsvollen elektrischen Umgebungen verlegt werden, müssen hierfür ausgelegt sein. Stellen Sie sicher, dass die Netzwerkgeräte gemäß den Anweisungen des Herstellers installiert wurden.

Informationen zu gesetzlichen Bestimmungen finden Sie unter *Regulatory information on page 4*

- Vermeiden Sie Kratzer, Beschädigungen oder Fingerabdrücke am Fenster, da dies die Bildqualität beeinträchtigen kann.

Bei der Installation des Axis Produkts können die Kabel durch die Wand oder an der Wand entlang geführt werden.

Lesen Sie die Anweisungen, bevor Sie das Produkt installieren.

Montage der Wandhalterung

⚠VORSICHT

Stellen Sie sicher, dass Sie die für das Material (z. B. Holz, Metall, Gipskarton, Stein) geeigneten Schrauben und Dübel verwenden und das Material stabil genug ist, um das Gesamtgewicht von Kamera, Gehäuse und Wandhalterung zu tragen.

1. Bereiten Sie die Wand für die Installation der Wandhalterung vor. Markieren Sie vor dem Bohren die Bohrlöcher mit der Wandhalterung als Vorlage.
2. Führen Sie das Netzkabel durch die Wandhalterung. Lassen Sie zum Anschließen der Kamera ca. 30 cm Kabel frei.
3. Wenn Sie ein zusätzliches Gerät an die Kamera anschließen, z. B. ein E/A- oder Audiogerät bzw. ein externes Netzteil, wiederholen Sie die oben aufgeführten Schritte für jedes Gerät.
4. Befestigen Sie die Wandhalterung an der Wand, indem Sie die Schrauben festziehen.

Beachten

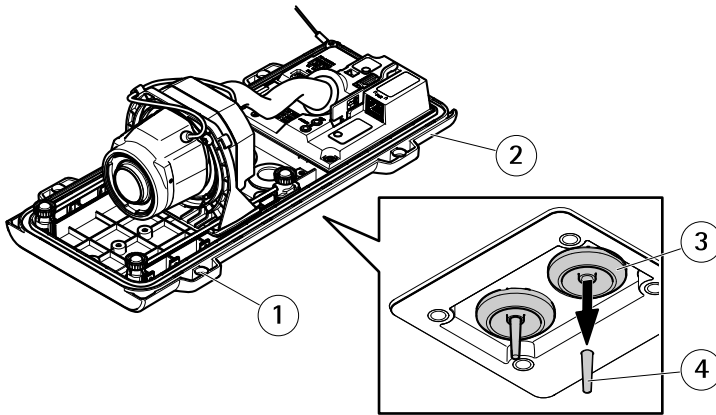
- Ausführliche Anweisungen finden Sie in der beiliegenden Installationsanleitung für die Wandhalterung oder unter www.axis.com.

Installieren der Kamera

1. Lösen Sie die Schrauben an der unteren Abdeckung und heben Sie die obere Abdeckung an.

HINWEIS

- Wird mehr als ein Kabel verwendet, muss jedes Kabel durch eine separate Kabeldichtung geführt werden.
 - Öffnen Sie bei den verwendeten Kabeldichtungen nur ein Loch. Wenn eine Kabeldichtung eingerissen ist, ersetzen Sie diese durch eine neue. Wenn eine Kabeldichtung geöffnet bleibt oder eine eingerissene Kabeldichtung verwendet wird, kann Wasser eindringen und das Produkt beschädigen.
2. Wählen Sie die zu verwendende Kabeldichtung aus und ziehen Sie an der Lasche, um ein Loch für das Netzkabel zu öffnen.

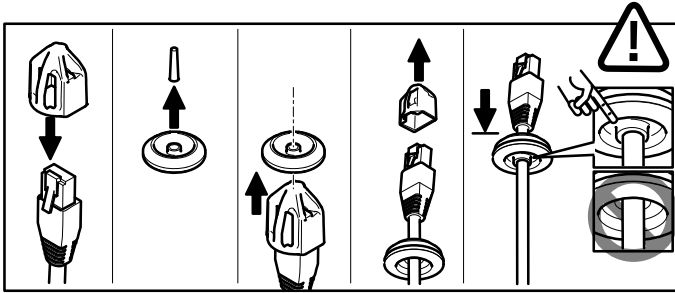


- 1 Untere Abdeckung
- 2 Schraube T20 für untere Abdeckung (4x)
- 3 Kabeldichtung M20 (2x)
- 4 Lasche

3. Führen Sie das Netzkabel durch die Kabeldichtung.

HINWEIS

Wenn das Netzkabel über einen vormontierten Netzwerkstecker verfügt, entfernen Sie die Kabeldichtung, und verwenden Sie das Anschlussstück, um ein Reißen der Kabeldichtung zu verhindern. Verwenden Sie keine Netzkabel, die Netzwerkstecker mit Deckeln aufweisen, da diese auch bei Verwendung des Anschlussstücks zum Reißen der Kabeldichtung führen können.



4. Ziehen Sie das Netzkabel ein wenig zurück, bis die Kabeldichtung bündig um das Kabel sitzt.

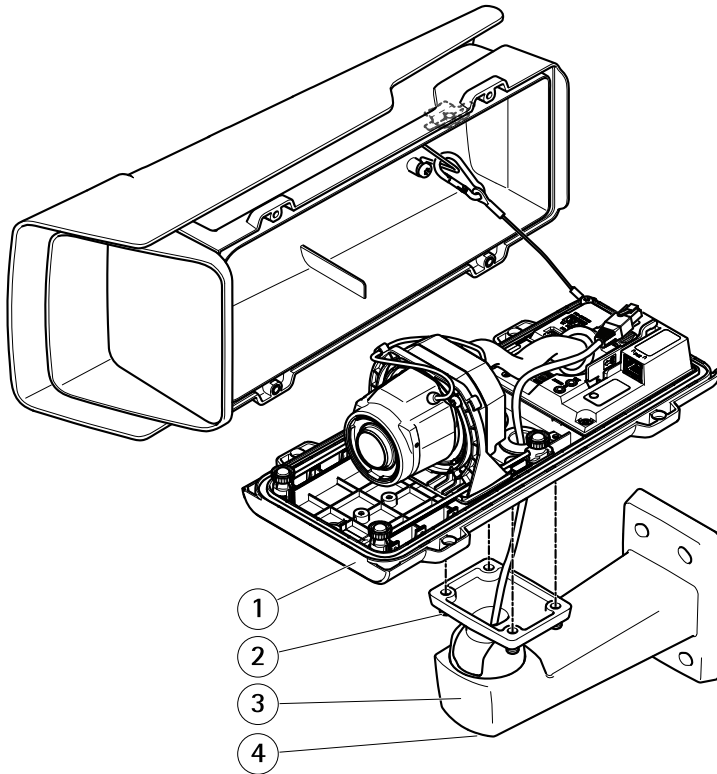
HINWEIS

Wird das Kabel nicht zurückgezogen, kann Wasser eindringen und das Produkt beschädigen.

5. Vergewissern Sie sich, dass die Kabeldichtung ordnungsgemäß sitzt.
6. Wenn Sie ein zusätzliches Gerät an die Kamera anschließen, z. B. ein E/A- oder Audiogerät bzw. ein externes Netzteil, wiederholen Sie die oben aufgeführten Schritte für jedes Gerät.

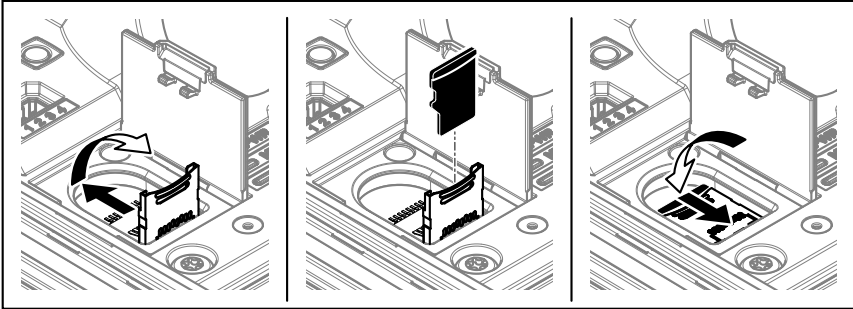
HINWEIS

Bringen Sie die Anschlüsse an, nachdem die Kabel durch die Kabeldichtung geführt wurden.

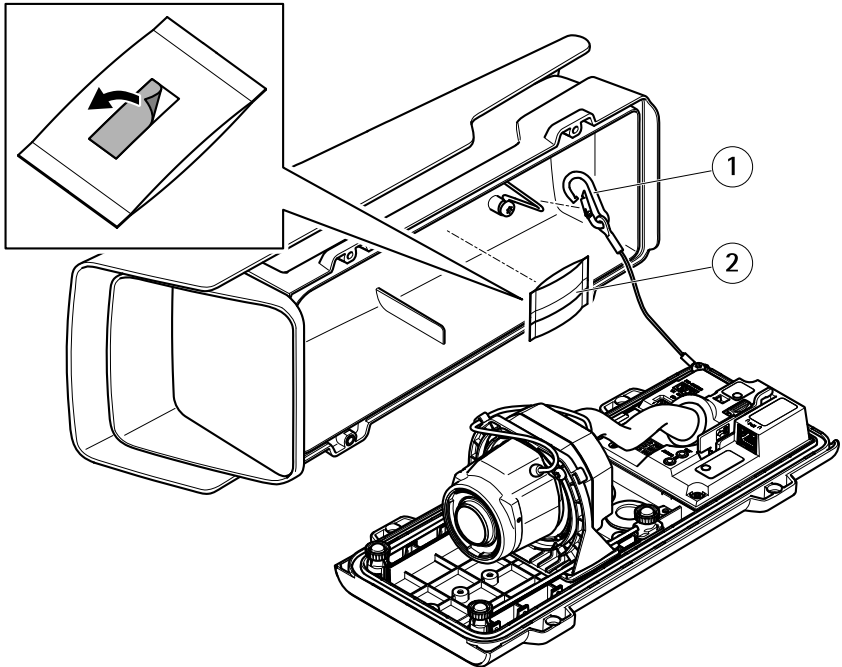


- 1 Untere Abdeckung
- 2 Schraube T20 (4x)
- 3 Wandhalterung
- 4 Einstellschraube T30 für Halterung

7. Setzen Sie die untere Abdeckung auf die Wandhalterung und ziehen Sie die Schrauben an (Drehmoment 2 Nm).
8. Schließen Sie ggf. externe Eingabe-/Ausgabegeräte oder Audiogeräte an die Kamera an.



9. Wenn Sie eine SD-Karte als lokalen Speicher verwenden, schieben Sie die Karte in den SD-Karteneinschub der Kamera.
10. Schließen Sie das Netzkabel an.
11. Vergewissern Sie sich, dass die Kamera LEDs den richtigen Betriebszustand anzeigen. Siehe *LEDs auf Seite 60*.
12. Lösen Sie die Einstellschraube der Halterung und richten Sie die Kamera auf das gewünschte Ziel aus. Informationen zum Anzeigen des Videostreams finden Sie unter *Das Gerät im Netzwerk ermitteln auf Seite 57*.
13. Das Objektiv ist bei Lieferung IK10-konform positioniert. Wenn Sie das Objektiv bewegen oder austauschen, muss die optische Baugruppe gemäß IK10 neu positioniert werden. Siehe *Positionieren des Objektivs für IK10 auf Seite 57*.



- 1 *Sicherheitshaken*
- 2 *Antikondensationsbeutel*

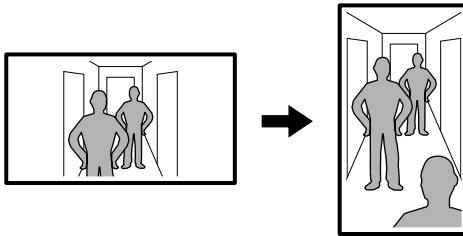
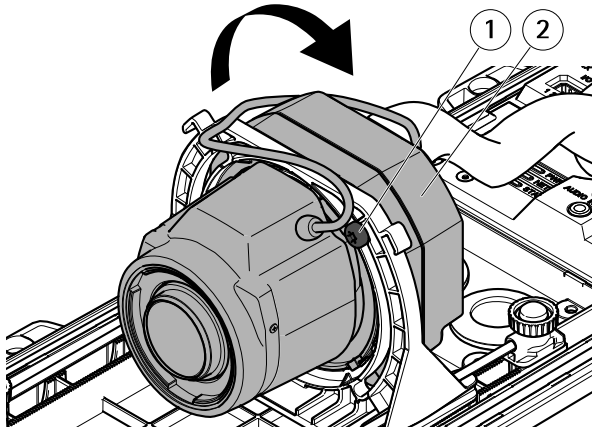
14. Entfernen Sie die Plastikschutzhülle des Antikondensationsbeutels.
15. Entfernen Sie den Schutzstreifen von der Klebefläche und bringen Sie den Antikondensationsbeutel an der oberen Abdeckung an.
16. Schließen Sie das Gehäuse. Ziehen Sie die Schrauben der unteren Abdeckung im Wechsel jeweils wenige Umdrehungen an, bis sie fest sitzen (Drehmoment 1,5 Nm). Auf diese Weise wird sichergestellt, dass die Dichtung der unteren Abdeckung gleichmäßig sitzt.

HINWEIS

Stellen Sie sicher, dass beim Schließen des Gehäuses keine Kabel eingeklemmt werden.

17. Lösen Sie ggf. die Schrauben des Sonnenschutzes, richten Sie diesen aus und ziehen Sie die Schrauben wieder fest.

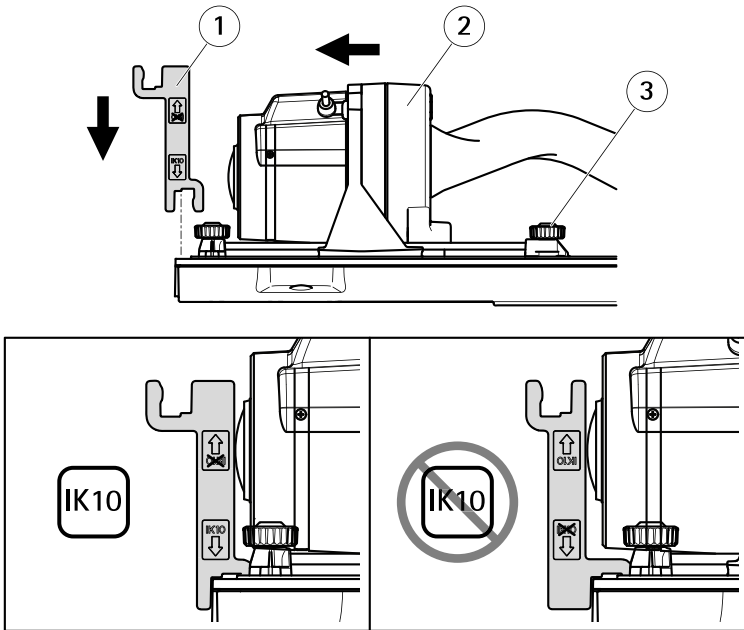
Einrichten des Corridor Formats



- 1 Feststellschraube (2x)
- 2 Optisches Gerät

1. Lösen Sie beide Feststellschrauben.
2. Drehen Sie das optische Gerät.
3. Ziehen Sie die Feststellschrauben an.
4. Rufen Sie auf der Produktwebseite die Registerkarte **Stream** auf und drehen Sie die Ansicht um 90°.

Positionieren des Objektivs für IK10



- 1 *IK10-Werkzeug*
- 2 *Optisches Gerät*
- 3 *Gefederte Rändelschrauben (4x)*

1. Stellen Sie das Objektiv auf die weiteste Position.
2. Bringen Sie das IK10-Werkzeug an der unteren Abdeckung an.
3. Lösen Sie die gefederten Rändelschrauben.
4. Bewegen Sie das Objektiv so, dass es das Werkzeug berührt.
5. Ziehen Sie die Rändelschrauben an.

Das Gerät im Netzwerk ermitteln

Mit AXIS IP Utility und AXIS Device Manager die Axis Geräte im Netzwerk ermitteln und ihnen unter Windows® IP-Adressen zuweisen. Beide Anwendungen sind kostenlos und können von axis.com/support heruntergeladen werden.

Weitere Informationen zum Zuweisen von IP-Adressen bietet das Dokument *Zuweisen von IP-Adressen und Zugreifen auf das Gerät*.

AXIS P1368-E Network Camera

Wichtig

Das Zurücksetzen auf die Werkseinstellungen sollte mit Vorsicht erfolgen. Beim Zurücksetzen auf die Werkseinstellungen werden alle Einstellungen einschließlich der IP-Adresse zurückgesetzt.

So wird das Produkt auf die werksseitigen Standardeinstellungen zurückgesetzt:

1. Trennen Sie das Produkt von der Stromversorgung.
2. Halten Sie die Steuertaste gedrückt und stellen Sie die Stromversorgung wieder her. Siehe *Produktübersicht auf Seite 48*.
3. Halten Sie die Steuertaste etwa 15 bis 30 Sekunden gedrückt, bis die Status-LED gelb blinkt.
4. Lassen Sie die Steuertaste los. Der Vorgang ist abgeschlossen, wenn die Status-LED grün leuchtet. Das Produkt wurde auf die Werkseinstellungen zurückgesetzt. Wenn im Netzwerk kein DHCP-Server verfügbar ist, lautet die Standard-IP-Adresse 192.168.0.90.
5. Verwenden Sie die Software-Tools für Installation und Verwaltung, um eine IP-Adresse zuzuweisen, ein Kennwort einzurichten und auf den Videostream zuzugreifen. Die Softwaretools für die Installation und Verwaltung stehen auf den Supportseiten unter axis.com/support zur Verfügung.

Die Parameter können auch über die Weboberfläche auf die Werkseinstellungen zurückgesetzt werden. Den folgenden Optionspfad aufrufen: **Settings > System > Maintenance (Einstellungen > System > Wartung)** und dann die Option **Default (Standardeinstellung)** anklicken.

Weitere Informationen

- Die aktuelle Version dieses Dokuments finden Sie auf axis.com
- Das Benutzerhandbuch steht auf axis.com zur Verfügung.
- Unter axis.com/support finden Sie die aktuellen Firmwareversionen für Ihr Gerät.
- Nützliches Onlinetraining und Webinare finden Sie unter axis.com/academy.

Optionales Zubehör

Eine vollständige Liste lieferbaren Zubehörs für dieses Produkt finden Sie auf axis.com unter Produkt, Software und Zubehör.

DE

Technische Daten

LEDs

LED-Statusanzeige	Bedeutung
Grün	Leuchtet bei Normalbetrieb grün.
Gelb	Leuchtet beim Start. Blinkt beim Wiederherstellen der Einstellungen.

Netzwerk LED	Bedeutung
Grün	Leuchtet konstant bei Verbindung mit einem 10 MBit/s-Netzwerk. Blinkt bei Netzwerkaktivität.
Gelb	Leuchtet konstant bei Verbindung mit einem 10 MBit/s-Netzwerk. Blinkt bei Netzwerkaktivität.
Leuchtet nicht	Keine Netzwerkverbindung vorhanden.

Netz-LED	Bedeutung
Grün	Normalbetrieb.
Gelb	Blinkt während einer Firmware-Aktualisierung grün/orange.

Einschub für SD-Speicherkarte

HINWEIS

- Gefahr von Schäden an der SD-Karte. Beim Einsetzen oder Entfernen der SD-Karte keine scharfen Werkzeuge oder Gegenstände aus Metall benutzen und keine übermäßige Kraft anwenden. Setzen Sie die Karte per Hand ein. Das Gleiche gilt für das Entfernen.
- Gefahr von Datenverlust und Beschädigung von Aufzeichnungen. Die SD-Karte darf nicht entfernt werden, während das Produkt in Betrieb ist. Erst die SD-Karte über die Produktwebseite trennen, dann ausbauen.

Dieses Axis Produkt unterstützt Karten des Typs microSD/microSDHC/microSDXC.

Für Empfehlungen zu SD-Karten siehe axis.com.

Tasten

Steuertaste

Die Steuertaste hat folgende Funktionen:

- Zurücksetzen des Produkts auf die Werkseinstellungen. Siehe .

Anschlüsse

Netzwerkanschluss

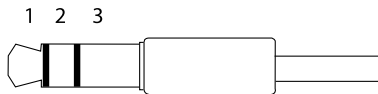
RJ45-Ethernetanschluss mit Power over Ethernet (PoE).

Audioanschlüsse

Das Axis-Produkt ist mit den folgenden Audioanschlüssen ausgestattet:

- **Audioeingang** – 3,5 mm, für ein Monomikrofon oder ein Monosignal (der linke Kanal wird von einem Stereosignal benutzt).
- **Audioausgang** – 3,5-mm-Audioausgang (Leitungspegel) zum Anschluss an eine Beschallungsanlage (PA) oder einen Aktivlautsprecher mit integriertem Verstärker. Für den Audioausgang muss ein Stereostecker verwendet werden.

Audioanschlüsse
(Stereo), 3,5 mm



	1 Spitze	2 Ring	3 Schaft
Audioeingang	Mikrofon-/Leitungseingang		Masse
Audioausgang	Leitungsausgang (mono)		Masse

E/A-Anschluss

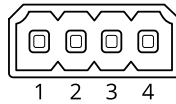
Über den E/A-Anschluss werden externe Geräte in Verbindung mit Manipulationsalarmen, Bewegungserkennung, Ereignisauslösung, Alarmbenachrichtigungen und anderen Funktionen angeschlossen. Außer dem Bezugspunkt 0 V Gleichstrom und Strom (Gleichstromausgang) besitzt der E/A-Anschluss eine Schnittstelle zum:

Digitaleingang – Zum Anschluss von Geräten, die zwischen geöffnetem und geschlossenem Schaltkreis wechseln können wie etwa PIR-Sensoren, Tür- und Fensterkontakte sowie Glasbruchmelder.

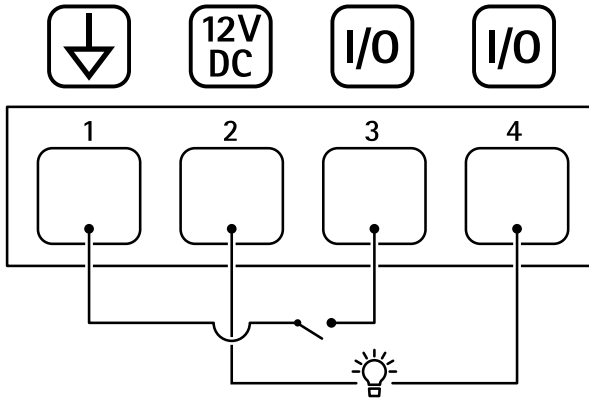
Digitalausgang – Zum Anschluss externer Geräte wie Relais und LEDs. Die angeschlossenen Geräte können über das VAPIX® Application Programming Interface, über ein Ereignis oder über die Produktwebseite aktiviert werden.

4-poliger Anschlussblock

AXIS P1368-E Network Camera



Beispiel



- 1 Erdung Gleichstrom
- 2 Gleichstromausgang 12 V, max. 50mA
- 3 E/A als Eingang konfiguriert
- 4 E/A als Ausgang konfiguriert

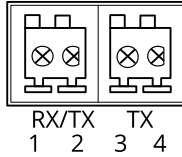
RS485-/RS422-Anschluss

Zwei 2-polige Anschlussblöcke für serielle Schnittstellen vom Typ RS485/RS422 zur Steuerung von Zusatzgeräten, beispielsweise zum Schwenken und Neigen.

Der serielle Anschluss kann in den folgenden Anschlussmodi konfiguriert werden:

- zweiadriger RS485-Halbduplex-Anschluss
- vieradriger RS485-Vollduplex-Anschluss
- zweiadriger RS422-Simplex-Anschluss
- vieradriger RS422-Vollduplex-Anschluss (Punkt-zu-Punkt-Verbindung)

RS485/422



Funktion	Kontakt	Hinweise
RS485B alt RS485/422 RX(B)	1	RX-Paar für alle Modi (kombinierter RX/TX für RS485 mit 2 Leitern)
RS485A alt RS485/422 RX(A)	2	
RS-485/RS-422 TX(B)	3	TX-Paar für RS-422 und RS-485 mit vier Leitern
RS-485/RS-422 TX(A)	4	

DE

Wichtig

Die maximale Kabellänge beträgt 30 m.

Betriebsbedingungen

Produkt	Temperatur	Luftfeuchtigkeit
AXIS P1368-E	-40 °C bis 55 °C	10 bis 100 % rF (kondensierend)

Leistungsaufnahme

HINWEIS

Verwenden Sie eine Stromquelle mit begrenzter Leistung (LPS), entweder mit einer Nennausgangsleistung von ≤ 100 W oder einem dauerhaft auf ≤ 5 A begrenzten Nennausgangsstrom.

Produkt	Power over Ethernet (PoE) IEEE 802.3af/802.3at Typ 1, Klasse 3
AXIS P1368-E	Max. 9,5 W Normal: 6,4 W

Sicherheitsinformationen

Gefährdungsstufen

▲GEFAHR

Weist auf eine gefährliche Situation hin, welche, falls nicht verhindert, zu Tod oder schweren Verletzungen führen kann.

▲WARNUNG

Weist auf eine gefährliche Situation hin, welche, falls nicht verhindert, zu Tod oder schweren Verletzungen führen kann.

▲VORSICHT

Weist auf eine gefährliche Situation hin, welche, falls nicht verhindert, zu geringfügiger oder mäßiger Verletzung führen kann.

HINWEIS

Weist auf eine gefährliche Situation hin, welche, falls nicht verhindert, zu Sachschäden führen kann.

DE

Andere Meldeebenen

Wichtig

Weist auf wichtige Informationen hin, die den richtigen Betrieb des Produkts gewährleisten.

Beachten

Weist auf nützliche Informationen hin, die die optimale Verwendung des Produkts unterstützen.

Sicherheitsanweisungen

HINWEIS

- Das Axis Produkt muss unter Beachtung der geltenden Gesetze und Bestimmungen betrieben werden.
- Axis empfiehlt, ein abgeschirmtes Netzwerk-Kabel der Kategorie CAT5e oder höher zu verwenden.
- Lagern Sie das Axis Produkt in einer trockenen und belüfteten Umgebung.
- Das Axis Produkt weder Stößen noch starkem Druck aussetzen.
- Das Produkt nicht an instabilen Masten, Halterungen, Oberflächen oder Wänden anbringen.
- Verwenden Sie bei der Installation des Axis Produkts ausschließlich passende Werkzeuge. Ein zu großer Kraftaufwand mit elektrischen Werkzeugen kann das Produkt beschädigen.
- Verwenden Sie keine chemischen, ätzenden oder aerosolhaltigen Reinigungsmittel.
- Verwenden Sie zum Reinigen ein sauberes, mit destilliertem Wasser angefeuchtetes Tuch.
- Verwenden Sie nur Zubehör, das den technischen Vorgaben Ihres Produkts entspricht. Dieses ist von Axis oder Drittanbietern erhältlich. Axis empfiehlt die mit Ihrem Produkt kompatible Stromversorgung von Axis.
- Verwenden Sie ausschließlich Ersatzteile die von Axis angeboten oder empfohlen werden.
- Versuchen Sie nicht, dieses Produkt selbsttätig zu reparieren. Wenden Sie sich bezüglich Reparatur und Wartung an den Axis Support oder Ihren Axis Händler.

Transport

HINWEIS

- Bei Bedarf transportieren Sie das Axis Produkt in der Originalverpackung oder einer entsprechenden Verpackung, so dass Schäden vermieden werden.

Batterie

Das Axis Produkt ist mit einer 3,0 V-CR2032-Lithium-Batterie ausgestattet, mit der die interne Echtzeituhr (RTC) versorgt wird. Unter normalen Bedingungen hat die Batterie eine Lebensdauer von mindestens fünf Jahren.

▲VORSICHT

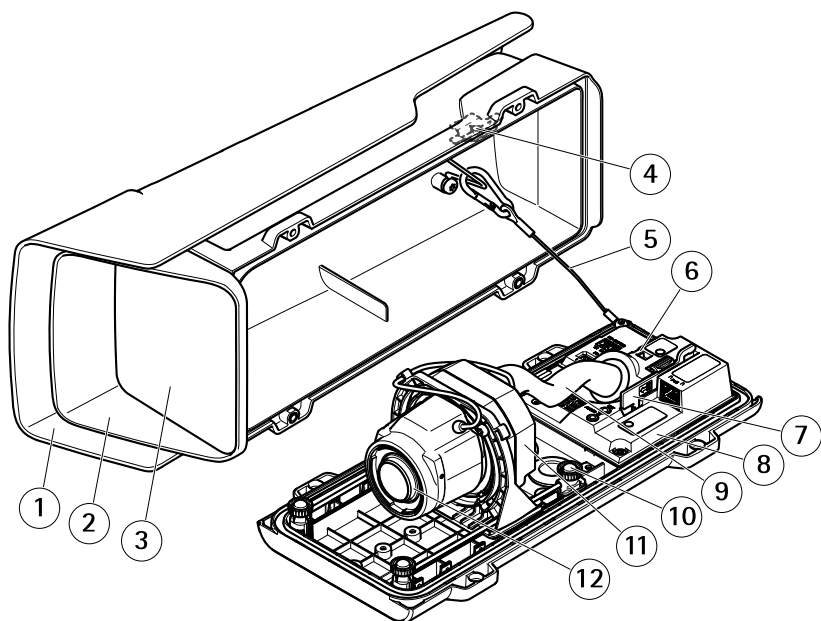
Tauschen Sie die Batterie nicht selbst aus. Wenden Sie sich an den Axis Support, wenn die Protokollnachricht einen Batterietausch anfordert.

Lithium-Knopfzellen (3,0 V) enthalten 1,2-Dimethoxyethan; Ethylenglycoldimethylether (EGDME), CAS-Nr. 110-71-4.

Contenuto della confezione

- Telecamera di rete AXIS P1368-E
- Morsettiera I/O a 4 pin per collegare dispositivi esterni
- Morsettiera RS485/422 a 2 pin (2)
- Montaggio a parete
- Cacciavite Torx T20
- Punta da cacciavite Torx T30
- Strumento di montaggio per RJ45
- Strumento IK10
- Sacchetto dell'essiccante
- Documentazione
 - Guida all'installazione (questo documento)
 - Etichetta aggiuntiva con numero di serie (2)
 - Chiave di autenticazione AVHS

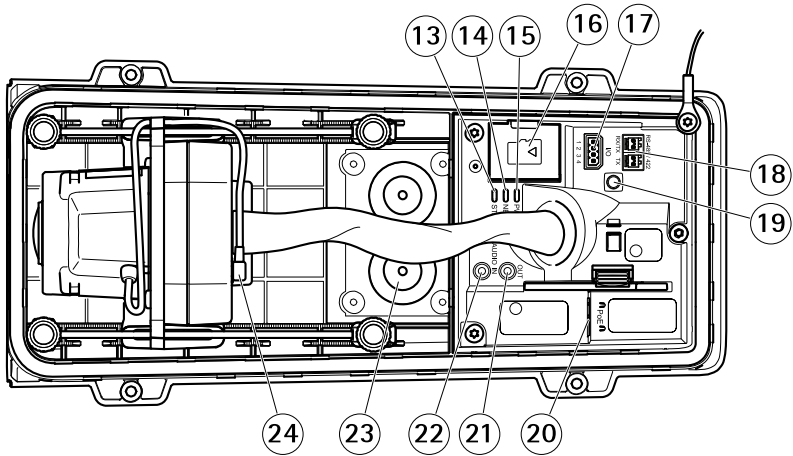
Panoramica del dispositivo



- 1 Schermo di protezione dagli agenti atmosferici
- 2 Protezione superiore
- 3 Finestra
- 4 Calamita allarme anti intrusione
- 5 Cavo di sicurezza
- 6 Ancoraggio fascetta
- 7 Strumento IK10
- 8 Sensore allarme anti intrusione
- 9 Coperchio dei cavi
- 10 Vite ad alette a molla (4)
- 11 Unità ottica
- 12 Obiettivo

AWISO

Non sollevare il dispositivo dalla protezione dei cavi.



- 13 LED di stato
- 14 LED di rete
- 15 Power LED
- 16 Slot per scheda di memoria microSD
- 17 Connettore I/O
- 18 Connettore RS485/422
- 19 Pulsante di comando
- 20 Connettore di rete (PoE)
- 21 Uscita audio
- 22 Ingresso audio
- 23 Guarnizione cavo M20 (2x)
- 24 Connettore del diaframma

Come installare il dispositivo

Installazione dell'hardware

AWISO

- A causa delle normative locali o delle condizioni ambientali ed elettriche in cui il dispositivo deve essere utilizzato, potrebbe essere opportuno o necessario l'utilizzo di un cavo di rete schermato (STP). Tutti i cavi di rete del dispositivo posizionati all'aperto o in ambienti elettrici in condizioni difficili sono destinati al loro uso specifico. Accertarsi che i dispositivi di rete siano installati secondo le istruzioni del produttore.

Per maggiori informazioni sui requisiti normativi, consultare *Regulatory information on page 4*

- Non graffiare, danneggiare o lasciare impronte digitali sulla finestra per preservare la qualità dell'immagine.

È possibile installare il dispositivo Axis instradando i cavi attraverso o lungo la parete.

Leggere attentamente tutte le istruzioni prima di installare il dispositivo.

Installazione del supporto per il montaggio a parete

⚠ATTENZIONE

Verificare che le viti e i tasselli siano adatti al materiale della parete (es. legno, metallo, cartongesso, pietra) e che il materiale sia in grado di sostenere telecamera, alloggiamento e supporto per il montaggio a parete.

1. Preparare la parete per l'installazione del supporto. Utilizzare il supporto per il montaggio a parete come profilo e contrassegnare i punti da trapanare.
2. Far passare il cavo di rete attraverso la staffa a parete. Lasciare circa 30 cm (11,8 pollici) di cavo per il collegamento alla telecamera.
3. In caso di connessione di un dispositivo (es. di I/O, audio o alimentazione esterna) alla telecamera, ripetere il passaggio precedente (se consentito per il dispositivo in questione).
4. Fissare la staffa alla parete serrando le viti.

Nota

- Per istruzioni dettagliate, consultare la guida all'installazione del supporto di montaggio a parete presente nella confezione e disponibile all'indirizzo www.axis.com

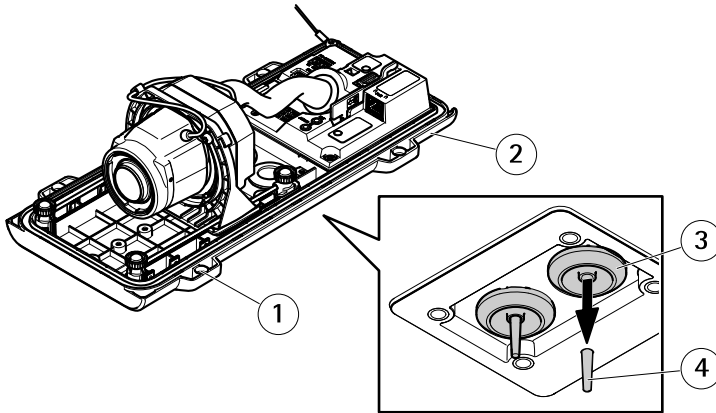
Installazione della telecamera

1. Allentare le viti della protezione inferiore e sollevare la parte superiore.

AWISO

- Se viene utilizzato più di un cavo, instradare ciascun cavo attraverso una guarnizione separata.

- Aprire un foro solo nelle guarnizioni utilizzate e sostituirle in caso di danno. Una guarnizione per cavi aperta o danneggiata potrebbe causare infiltrazioni d'acqua nel dispositivo e danneggiarlo.
2. Scegliere la guarnizione per cavi da usare e tirare la linguetta per aprire il foro per il cavo di rete.

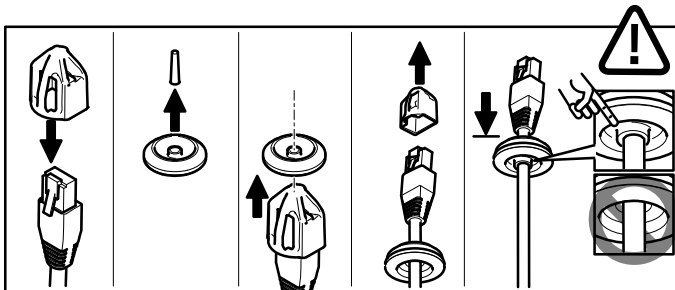


- 1 Protezione inferiore
- 2 Vite della protezione inferiore T20 (4x)
- 3 Guarnizione cavo M20 (2x)
- 4 Linguetta

3. Inserire il cavo di rete attraverso la guarnizione per cavi.

AVISO

Se il cavo di rete dispone di un connettore preinstallato, rimuovere la guarnizione per cavi e usare la protezione del connettore per evitare danni alla guarnizione. Non usare cavi di rete dotati di connettori di rete con tappi, poiché potrebbero danneggiare la guarnizione del cavo nonostante la protezione del connettore.



AXIS P1368-E Network Camera

4. Tirare delicatamente il cavo di rete in modo da adattare la guarnizione al cavo.

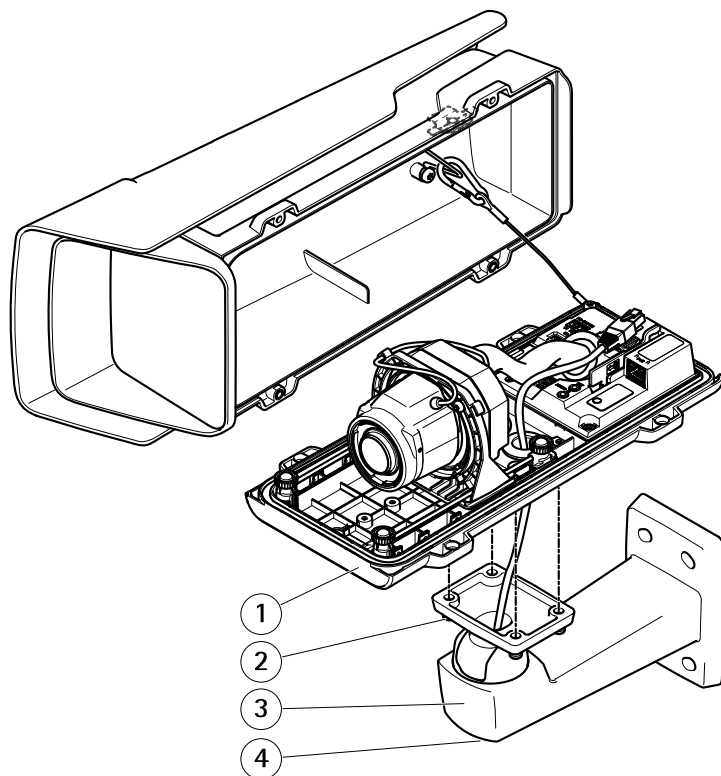
AWISO

Se il cavo non viene tirato potrebbero verificarsi infiltrazioni d'acqua e danni al prodotto.

5. Verificare il corretto montaggio della guarnizione del cavo.
6. In caso di connessione di un dispositivo (es. di I/O, audio o alimentazione esterna) alla telecamera, ripetere i passaggi precedenti (se consentito per il dispositivo in questione).

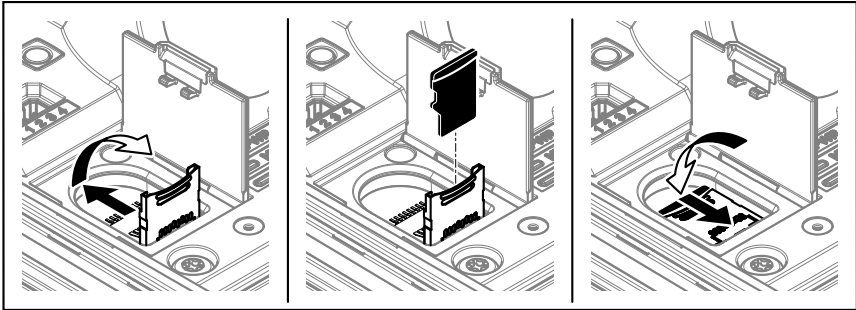
AWISO

Montare i connettori dopo aver spinto i cavi attraverso la guarnizione del cavo.



- 1 Coperchio inferiore
- 2 Vite T20 (4)
- 3 Staffa a parete
- 4 Vite di regolazione della staffa T30

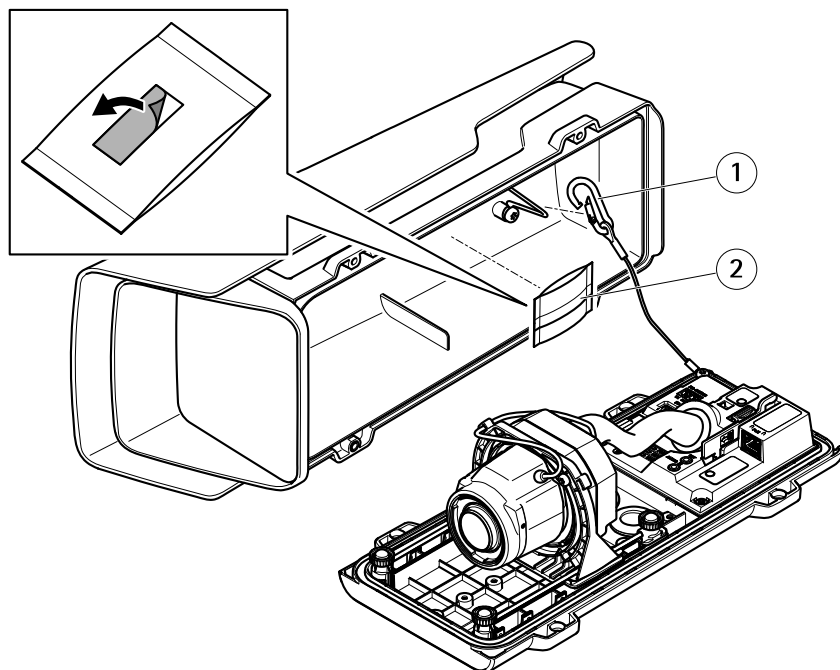
7. Posizionare il coperchio inferiore sul supporto per il montaggio a parete e serrare le viti (con una coppia di 2 Nm).
8. Se necessario, collegare alla telecamera dispositivi I/O esterni o dispositivi audio.



IT

9. Se si utilizza una scheda di memoria per l'archiviazione locale, inserirla nell'apposito slot della telecamera.
10. Collegare il cavo di rete.
11. Verificare che i LED della telecamera indichino la corretta condizione. Consultare *Indicatori LED alla pagina 79*.
12. Allentare la vite di regolazione della staffa per orientare la telecamera verso il punto desiderato. Per informazioni sulla visualizzazione del flusso video, consultare *Individuazione del dispositivo sulla rete alla pagina 76*.
13. Alla consegna, l'obiettivo è posizionato correttamente per IK10. Se si sposta o si sostituisce l'obiettivo, è necessario riposizionare il gruppo ottico per mettere in sicurezza IK10; consultare *Modalità di posizionamento dell'obiettivo per IK10 alla pagina 76*.

AXIS P1368-E Network Camera



- 1 *Gancio di sicurezza*
- 2 *Sacchetto dell'essiccante*

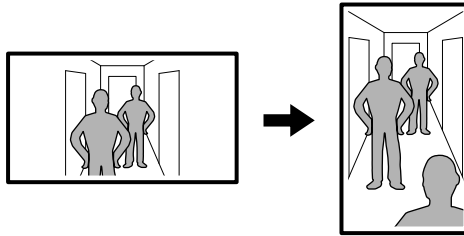
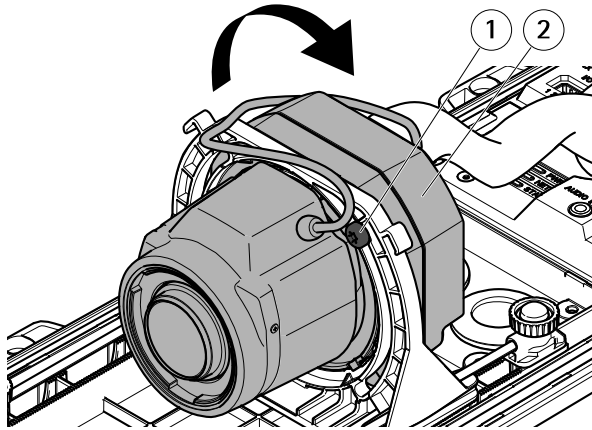
14. Rimuovere la busta di plastica dal sacchetto dell'essiccante.
15. Rimuovere la striscia di protezione dall'adesivo e fissare il sacchetto dell'essiccante al coperchio superiore.
16. Chiudere la custodia. Girare le viti del coperchio inferiore in maniera alternata finché non sono tutte serrate (con una coppia di 1,5 Nm). In questo modo, la guarnizione del coperchio inferiore viene compressa in modo uniforme.

AWISO

Fare in modo che i cavi non restino incastrati durante la chiusura della custodia.

17. Se necessario, allentare le viti dello schermo di protezione dagli agenti atmosferici, regolarne la posizione e serrare le viti.

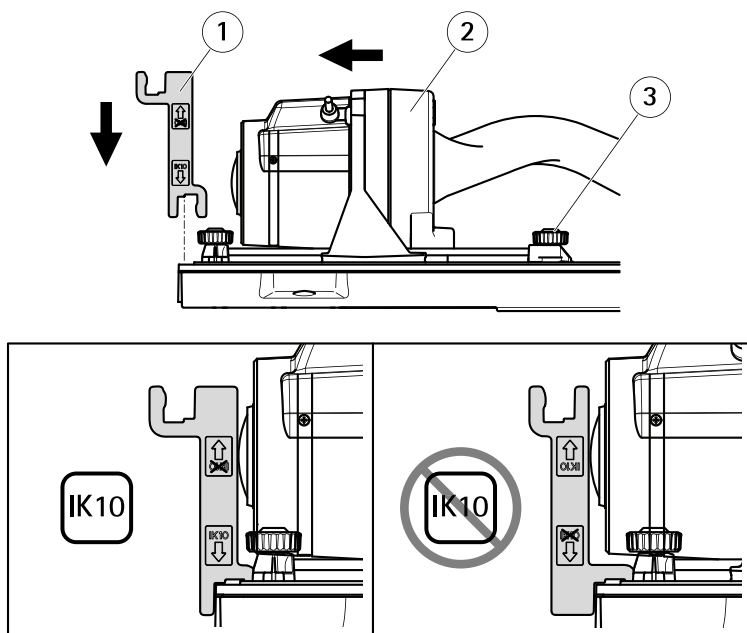
Modalità di configurazione del formato corridoio



- 1 Vite di arresto (2)
- 2 Unità ottica

1. Allentare le due viti di arresto.
2. Ruotare l'unità ottica.
3. Stringere le viti di arresto.
4. Andare alla scheda **Stream (Flusso)** sulla pagina Web del dispositivo e ruotare la vista di 90°.

Modalità di posizionamento dell'obiettivo per IK10



- 1 Strumento IK10
- 2 Unità ottica
- 3 Vite ad alette a molla (4)

1. Regolare lo zoom dell'obiettivo nella posizione più ampia.
2. Fissare lo strumento IK10 al coperchio inferiore.
3. Allentare le viti ad alette a molla.
4. Spostare l'obiettivo in modo che aderisca allo strumento.
5. Stringere le viti ad alette.

Individuazione del dispositivo sulla rete

Per trovare i dispositivi Axis sulla rete e assegnare loro un indirizzo IP in Windows®, utilizzare AXIS IP Utility o AXIS Device Manager. Queste applicazioni sono entrambe gratuite e possono essere scaricate dal sito Web axis.com/support.

Per ulteriori informazioni su come trovare e assegnare indirizzi IP, consultare il documento *Come assegnare un indirizzo IP e accedere al dispositivo*.

Importante

Il ripristino dei valori predefiniti di fabbrica deve essere effettuato con cautela. Tale operazione consentirà di ripristinare i valori predefiniti di fabbrica per tutte le impostazioni, incluso l'indirizzo IP.

Per ripristinare il dispositivo ai valori predefiniti di fabbrica:

1. Scollegare l'alimentazione dal dispositivo.
2. Tenere premuto il pulsante di comando quando si ricollega l'alimentazione. Vedere *Panoramica del dispositivo alla pagina 68*.
3. Tenere premuto il pulsante di comando per 15–30 secondi finché l'indicatore LED di stato non lampeggia in giallo.
4. Rilasciare il pulsante di comando. Il processo è completo quando l'indicatore del LED di stato diventerà verde. Il dispositivo è stato reimpostato alle impostazioni di fabbrica predefinite. Se nessun server DHCP è disponibile sulla rete, l'indirizzo IP predefinito è 192.168.0.90.
5. Utilizzare gli strumenti per l'installazione e la gestione del software per assegnare un indirizzo IP, impostare la password e accedere al flusso video.

Gli strumenti per l'installazione e la gestione del software sono disponibili nelle pagine dedicate all'assistenza sul sito Web axis.com/support.

È anche possibile reimpostare i valori predefiniti di fabbrica dei parametri mediante l'interfaccia Web. Andare in **Settings > System > Maintenance (Impostazioni > Sistema > Manutenzione)** e fare clic su **Default (Predefinito)**.

Ulteriori Informazioni

- Per la versione più recente di questo documento, visitare il sito all'indirizzo axis.com
- Il manuale per l'utente è disponibile all'indirizzo axis.com
- Per verificare se sono stati pubblicati aggiornamenti del firmware per il proprio dispositivo, vedere axis.com/support
- Per servizi di formazione utili e webinar, visita il sito axis.com/academy

Accessori opzionali

Per un elenco completo degli accessori disponibili per questo dispositivo, andare alla pagina del dispositivo al sito axis.com e selezionare Software e accessori.

Specifiche

Indicatori LED

LED di stato	Indicazione
Verde	Luce verde fissa: condizioni di normale utilizzo.
Giallo	Luce fissa durante l'avvio. Lampeggia durante il ripristino delle impostazioni.

LED di rete	Indicazione
Verde	Luce fissa per connessione di rete a 100 Mbit/s. Luce lampeggiante: attività di rete.
Giallo	Luce fissa per connessione di rete a 10 Mbit/s. Luce lampeggiante: attività di rete.
Spento	Assenza di connessione.

LED di alimentazione	Indicazione
Verde	Funzionamento normale.
Giallo	Luce lampeggiante verde/gialla durante l'aggiornamento del firmware.

IT

Slot per schede di memoria

AVVISO

- Rischio di danneggiamento della scheda di memoria SD. Non utilizzare strumenti appuntiti oppure oggetti metallici e non esercitare eccessiva forza durante l'inserimento o la rimozione della scheda di memoria. Utilizzare le dita per inserire e rimuovere la scheda.
- Rischio di perdita di dati e danneggiamento delle registrazioni. Non rimuovere la scheda di memoria mentre il dispositivo è in funzione. Scollegare la scheda di memoria dalle pagine Web del dispositivo prima di rimuoverla.

Questo dispositivo supporta schede microSD/microSDHC/microSDXC.

Visitare axis.com per i consigli sulla scheda di memoria.

Pulsanti

Pulsante di comando

Il pulsante di comando viene utilizzato per:

- Ripristino del dispositivo alle impostazioni predefinite di fabbrica. Consultare.

Connettori

Connettore di rete

Connettore Ethernet RJ45 con Power over Ethernet (PoE+).

Connettore audio

Il dispositivo Axis dispone dei seguenti connettori audio:

- **Ingresso audio:** input da 3,5 mm per microfono mono o segnale ingresso linea mono (il canale sinistro viene utilizzato da un segnale stereo).
- **Uscita audio:** 3,5 mm (di linea) che è possibile collegare a un sistema di indirizzo pubblico (PA) o a un altoparlante con amplificatore integrato. Per l'uscita audio è necessario usare un connettore stereo.

Connettori audio da
3,5 mm (stereo)



	1 Punta	2 Anello	3 Guaina
Ingresso audio	Ingresso microfono/linea		Terra
Uscita audio	Uscita linea (mono)		Terra

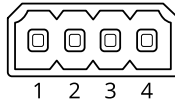
Connettore I/O

Utilizzare il connettore I/O con dispositivi esterni in combinazione con, ad esempio, rilevamento movimento, attivazione di eventi e notifiche di allarme. Oltre al punto di riferimento 0 V CC e all'alimentazione (output CC), il connettore I/O fornisce l'interfaccia per:

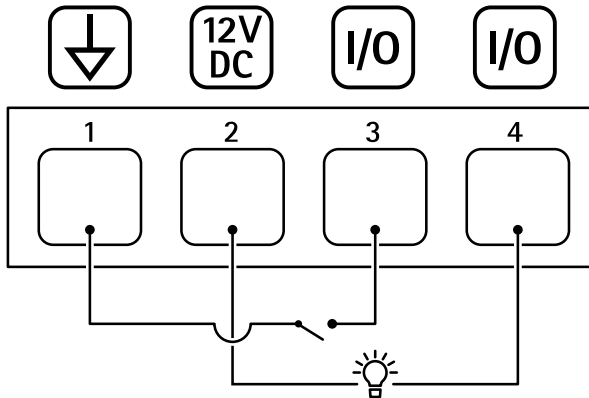
Ingresso digitale - Per il collegamento di dispositivi che possono passare da un circuito chiuso ad uno aperto, ad esempio i sensori PIR, i contatti porta/finestra e i rilevatori di rottura.

Uscita digitale – Per il collegamento di dispositivi esterni come relè e LED. I dispositivi collegati possono essere attivati tramite l'API (interfaccia per la programmazione di applicazioni) VAPIX® attraverso un evento oppure dalla pagina Web del dispositivo.

Morsettiera a 4 pin



Esempio



- 1 *Ground CC*
- 2 *Uscita CC 12 V, max 50mA*
- 3 *I/O configurato come input*
- 4 *I/O configurato come output*

Connettore RS485/RS422

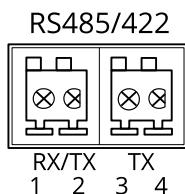
Due morsettiere a 2 pin per l'interfaccia seriale RS485/RS422 utilizzate per il controllo di periferiche ausiliarie come i dispositivi di rotazione/inclinazione.

La porta seriale può essere configurata per supportare:

- RS485 a due fili, half-duplex
- RS485 a quattro fili, full-duplex
- RS422 a due fili, simplex

AXIS P1368-E Network Camera

- Comunicazione full-duplex punto a punto con RS422 a quattro fili



Funzione	Pin	Note
RS485B alt RS485/422 RX(B)	1	Coppia RX per tutte le modalità (RX/TX combinata per RS485 con due cavi)
RS485A alt RS485/422 RX(A)	2	
RS485/RS422 TX(B)	3	Coppia TX per RS422 e RS485 con quattro cavi
RS485/RS422 TX(A)	4	

Importante

La lunghezza del cavo massima è di 30 m.

Condizioni di funzionamento

Dispositivo	Temperatura	Umidità
AXIS P1368-E	Da -40°C a 55°C	10-100% umidità relativa (con condensa)

Consumo energetico

AWISO

Utilizzare una sorgente di alimentazione limitata (LPS) con una potenza di output nominale limitata a ≤ 100 W o una corrente di output nominale limitata a ≤ 5 A.

Dispositivo	Power over Ethernet (PoE) IEEE 802.3af/802.3at Tipo 1 Classe 3
AXIS P1368-E	Max 9,5 W Tipico 6,4 W

Informazioni di sicurezza

Livelli di pericolo

▲PERICOLO

Indica una situazione pericolosa che, se non evitata, provoca morte o lesioni gravi.

▲AVVERTENZA

Indica una situazione pericolosa che, se non evitata, potrebbe provocare la morte o lesioni gravi.

▲ATTENZIONE

Indica una situazione pericolosa che, se non evitata, potrebbe provocare lesioni medie o minori.

AVVISO

Indica una situazione che, se non evitata, potrebbe danneggiare la proprietà.

IT

Altri livelli di messaggio

Importante

Indica informazioni importanti, essenziali per il corretto funzionamento del dispositivo.

Nota

Indica informazioni utili che aiutano a ottenere il massimo dal dispositivo.

Informazioni di sicurezza

AWISO

- Il dispositivo Axis deve essere utilizzato in conformità alle leggi e alle normative locali.
- Axis consiglia di utilizzare un cavo di rete di categoria CAT5e o versione successiva.
- Conservare il dispositivo Axis in un ambiente asciutto e ventilato.
- Evitare di esporre il dispositivo Axis a urti o pressioni eccessive.
- Non installare il dispositivo su supporti, superfici, pareti o pali instabili.
- Utilizzare solo strumenti applicabili quando si installa il dispositivo Axis. Se si utilizza una forza eccessiva con strumenti non adatti è possibile causare danni al dispositivo.
- Non utilizzare sostanze chimiche, agenti caustici o detergenti aerosol.
- Utilizzare un panno pulito inumidito in acqua pura per la pulizia.
- Utilizzare solo accessori compatibili con le specifiche tecniche del dispositivo. Questi possono essere forniti da Axis o da terze parti. Axis consiglia l'uso dell'apparecchiatura di alimentazione Axis compatibile con il dispositivo.
- Utilizzare solo parti di ricambio fornite o consigliate da Axis.
- Non tentare di riparare il dispositivo da soli. Contattare l'assistenza o il rivenditore Axis per questioni relative alla manutenzione.

Trasporto

AWISO

- Durante il trasporto del dispositivo Axis, utilizzare l'imballaggio originale o equivalente per evitare danni al dispositivo.

Batteria

Il dispositivo Axis utilizza una batteria al litio da 3 V CR2032 come alimentazione per il suo orologio in tempo reale (RTC) interno. In condizioni normali questa batteria avrà una durata minima di cinque anni.

⚠ATTENZIONE

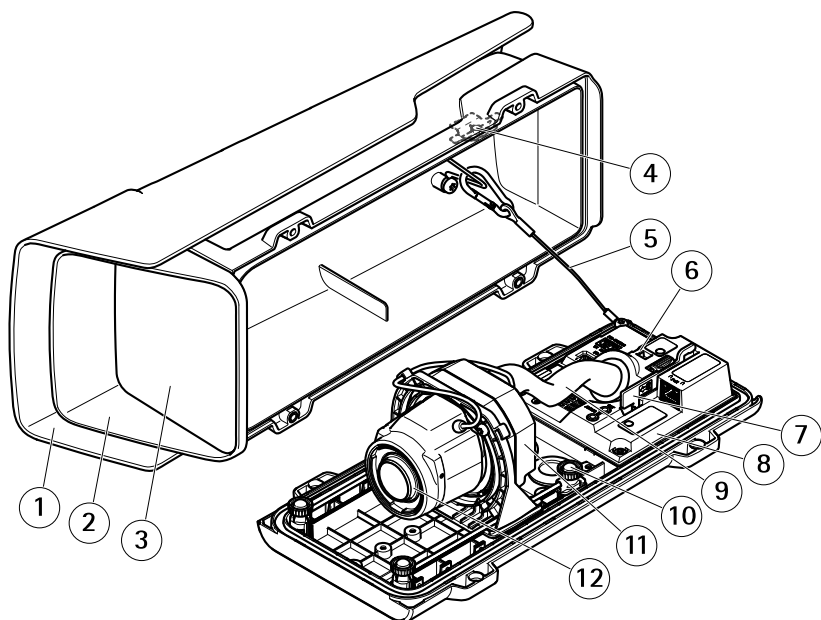
Non sostituire la batteria da soli. Contattare l'assistenza di Axis se il messaggio di registro richiede una sostituzione della batteria.

Le batterie a bottone al litio da 3 V contengono 1,2-dimetossietano; etere dimetilico di glicole etilenico (EGDME), CAS n. 110-71-4.

Contenido del paquete

- Cámara de red AXIS P1368-E
- Bloque de conectores de E/S de cuatro pines para conectar dispositivos externos
- Bloque de conectores de dos pines RS485/422 (2)
- Montaje en pared
- Destornillador Torx T20
- Broca Torx T30
- Herramienta de montaje para RJ45
- Herramienta IK10
- Bolsa desecante
- Materiales impresos
 - Guía de instalación (este documento)
 - Etiqueta adicional con el número de serie (2)
 - Clave de autenticación AVHS

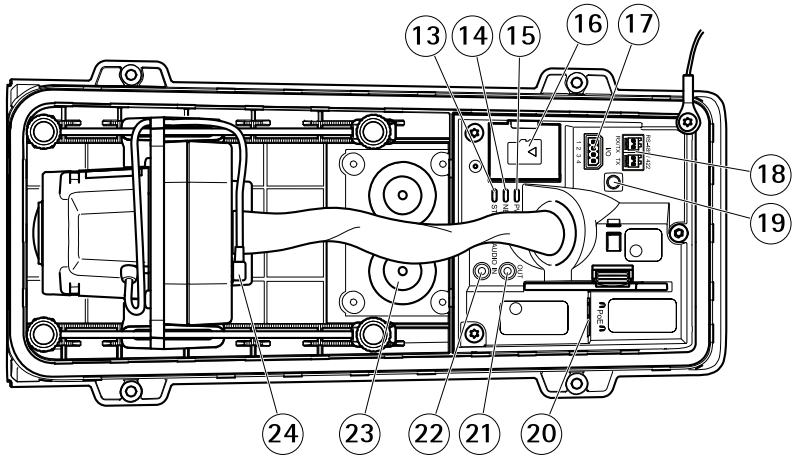
Información general del producto



- 1 Parasol
- 2 Cubierta superior
- 3 Ventana
- 4 Imán de alarma contra intrusiones
- 5 Cable de seguridad
- 6 Anclaje para abrazaderas de cable
- 7 Herramienta IK10
- 8 Sensor de alarma contra intrusiones
- 9 Cubierta de cable
- 10 Tornillo de mariposa con resorte (4)
- 11 Unidad óptica
- 12 Objetivo

AVISO

No levante el producto por la cubierta del cable.



- 13 LED de estado
- 14 LED de red
- 15 LED de alimentación
- 16 Ranura para tarjeta microSD
- 17 Conector de E/S
- 18 Conector RS485/422
- 19 Botón de control
- 20 Conector de red (PoE)
- 21 Salida de audio
- 22 Entrada de audio
- 23 Junta de cable M20 (2)
- 24 Conector de iris

Cómo instalar el producto

Instalación del hardware

AVISO

- Debido a la normativa local o a las condiciones ambientales y eléctricas en las que se vaya a utilizar el producto, puede que sea adecuado u obligatorio el uso de un cable de red blindado (STP). Todos los cables que conectan el producto a la red y que se utilicen en exteriores o en entornos eléctricos exigentes deberán estar blindados y diseñados para su uso específico. Asegúrese de que los dispositivos de red estén instalados de conformidad con las instrucciones del fabricante.

Para obtener información sobre los requisitos normativos, vea *Regulatory information on page 4*

- Preste atención para no arañar, dañar ni dejar las huellas en la ventana de la carcasa, puesto que esto puede provocar una disminución de la calidad de imagen.

El producto de Axis puede instalarse guiando los cables a través de la pared o sobre esta.

Lea todas las instrucciones antes de instalar el producto.

Instalación del montaje en pared

⚠ ATENCIÓN

Asegúrese de que los tornillos y tapones sean los adecuados para el material (p. ej. madera, metal, placas de yeso, piedra) y que el material sea lo suficientemente resistente para soportar el peso combinado de la cámara, la carcasa y el montaje en pared.

1. Prepare la pared para instalar el montaje en pared. Utilice la escuadra de pared como una plantilla y marque la ubicación de los orificios antes de perforarlos.
2. Guíe el cable de red a través de la escuadra de pared. Deje unos 30 cm de cable aproximadamente para conectarlo a la cámara.
3. Si se conecta un dispositivo auxiliar a la cámara, por ejemplo un dispositivo de alimentación externo, un dispositivo de E/S o uno de audio, repita el paso anterior aplicado a cada dispositivo en cuestión.
4. Fije la escuadra de pared a la pared apretando los tornillos.

Nota

- Para obtener instrucciones detalladas, vea la Guía de instalación del montaje en pared, incluida en el paquete y disponible en www.axis.com.

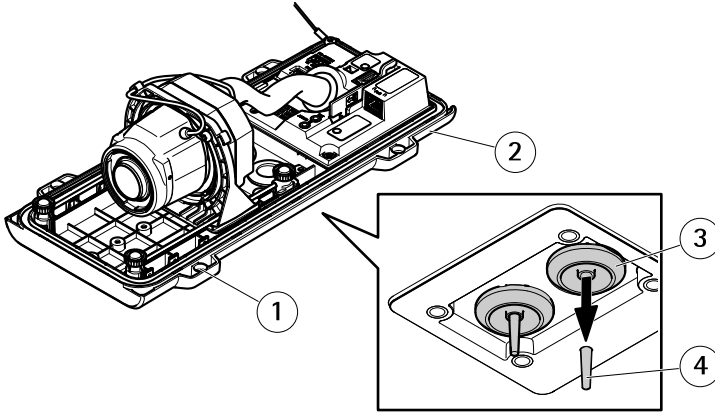
Instalación de la cámara

1. Afloje los tornillos de la cubierta inferior y levante la cubierta superior.

AVISO

- Si se utiliza más de un cable, deberá pasarse cada cable a través de una junta distinta.

- Solo abra un orificio en las juntas de cable que se vayan a utilizar y si alguna junta está desgastada, reemplácela con una nueva. Si deja la junta de cable abierta o utiliza una desgastada, el agua podría filtrarse y dañar el producto.
2. Seleccione la junta de cable que vaya a utilizar y tire de la lengüeta para abrir un orificio para el cable de red.

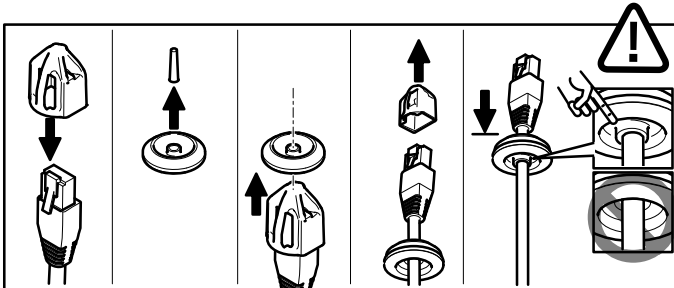


- 1 Cubierta inferior
- 2 Tornillo T20 de cubierta inferior (4x)
- 3 Junta de cable M20 (2)
- 4 Lengüeta

3. Empuje el cable de red a través de la junta de cable.

AVISO

Si el cable de red incluye un conector de red premontado, retire la junta de cable y utilice el protector del conector para evitar que la junta de cable se rompa. Evite utilizar cables de red con conectores de red recubiertos ya que podrían rasgar la junta de cable a pesar de utilizar el protector.



AXIS P1368-E Network Camera

4. Tire del cable de red hacia atrás suavemente de manera que la junta de cable se ajuste en el cable.

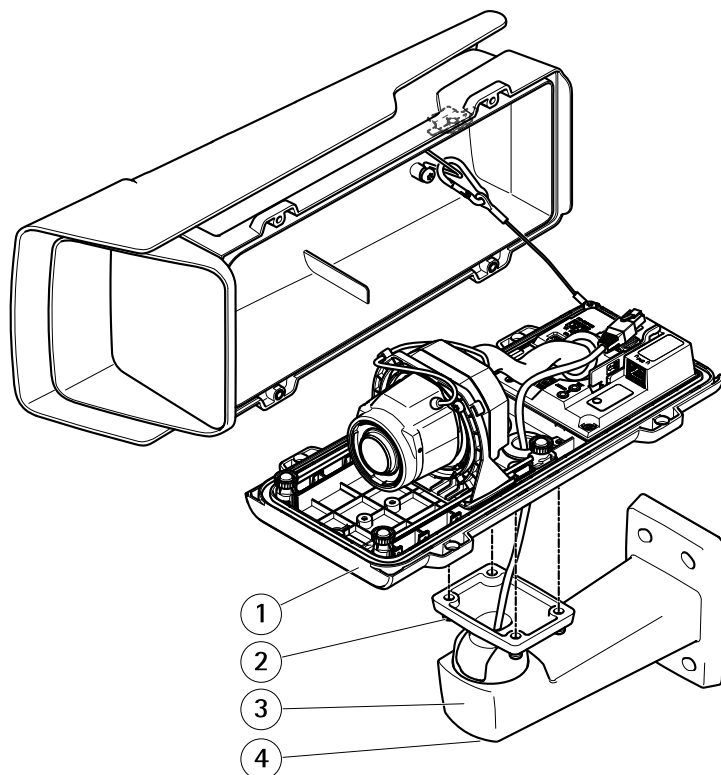
AVISO

Si no se tira del cable hacia atrás, podría filtrarse agua y dañar el producto.

5. Asegúrese de que la junta de cable encaje correctamente.
6. Si se conecta un dispositivo auxiliar a la cámara, por ejemplo un dispositivo de alimentación externo, un dispositivo de E/S o uno de audio, repita los pasos anteriores aplicados a cada dispositivo en cuestión.

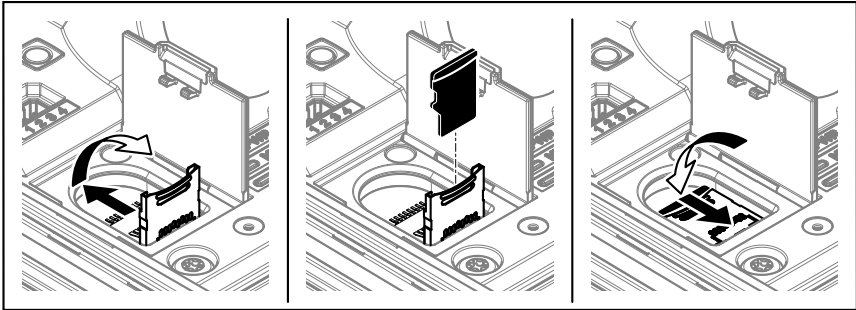
AVISO

Monte los conectores después de haber encajado los cables en la junta de cable.



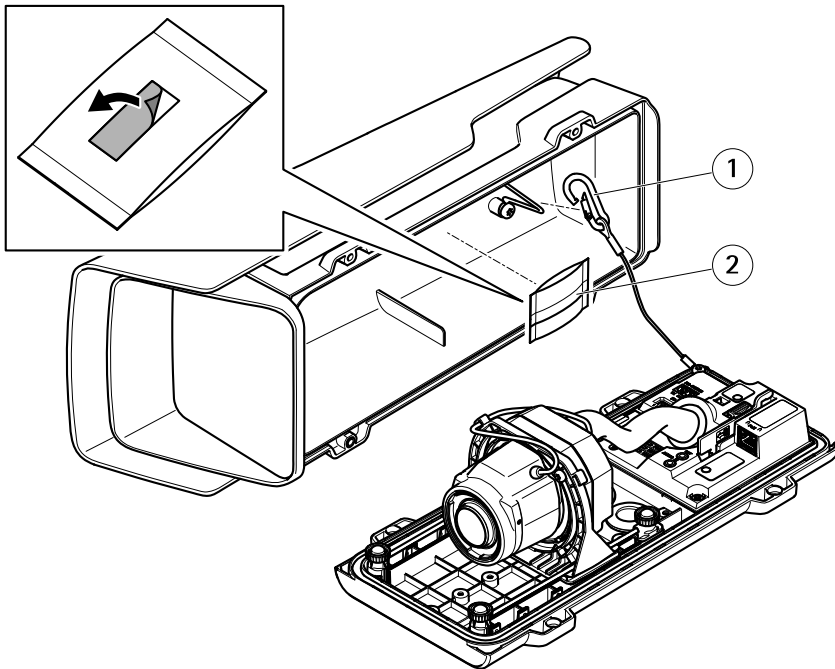
- 1 Cubierta inferior
- 2 Tornillo T20 (4)
- 3 Escuadra de pared
- 4 Tornillo de ajuste de escuadra T30

7. Coloque la cubierta inferior sobre el montaje en pared y apriete los tornillos (par de torsión de 2 Nm).
8. Si procede, conecte dispositivos de E/S externos o de audio a la cámara.



9. En caso de utilizar una tarjeta SD como unidad de almacenamiento local, inserte la tarjeta en la ranura para tarjetas SD de la cámara.
10. Conecte el cable de red.
11. Asegúrese de que los indicadores LED de la cámara indican la condición correcta. Consulte *Indicadores LED en la página 98*.
12. Afloje el tornillo de ajuste de la escuadra para orientar la cámara hacia el punto de interés. Para obtener más información sobre cómo ver la transmisión de vídeo, consulte *Localice el dispositivo en la red en la página 94*.
13. En la entrega, el objetivo está correctamente posicionado para IK10. Si mueve o desplaza el objetivo, tendrá que reposicionar el sistema óptico para IK10. Para ello, consulte *Cómo colocar el objetivo para IK10 en la página 94*.

AXIS P1368-E Network Camera



- 1 *Gancho de seguridad*
- 2 *Bolsa desecante*

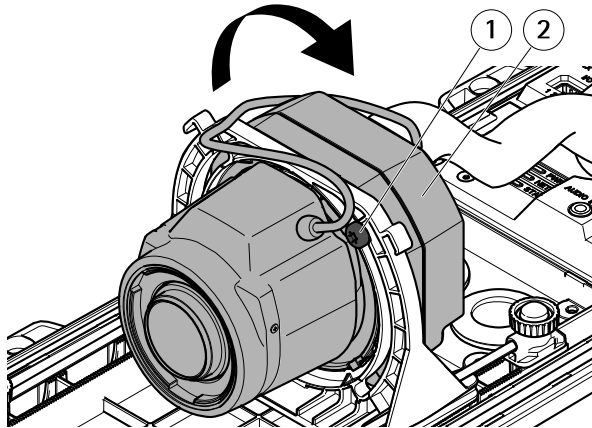
14. Retire el envoltorio de plástico de la bolsa desecante.
15. Retire la tira protectora del adhesivo y coloque la bolsa desecante en la cubierta superior.
16. Cierre la carcasa. Asimismo, puede apretar los tornillos de la cubierta inferior poco a poco, de forma alterna, hasta que estén bien apretados (par de torsión de 1,5 Nm). De este modo, comprimirá la junta de la cubierta inferior de manera uniforme.

AVISO

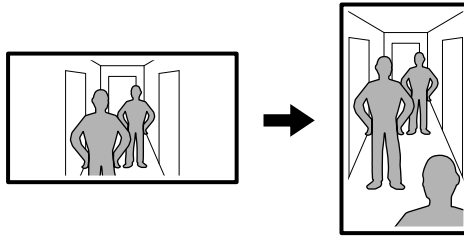
No pille ningún cable al cerrar la carcasa.

17. Si es necesario, afloje los tornillos del parasol, ajuste este en su posición y apriete los tornillos.

Cómo configurar el formato pasillo



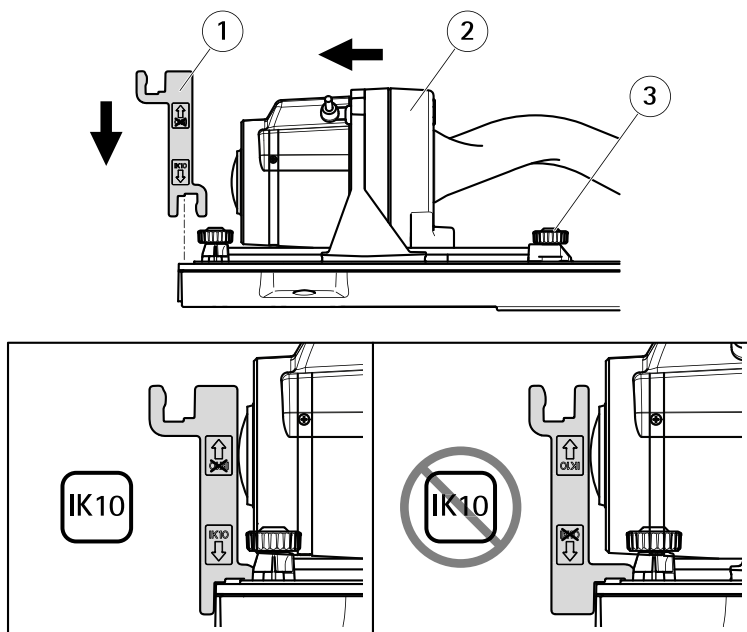
ES



- 1 Tornillo de bloqueo (2)
- 2 Unidad óptica

1. Afloje los dos tornillos de bloqueo.
2. Gire la unidad óptica.
3. Apriete los tornillos de bloqueo.
4. Vaya a la pestaña **Stream (Flujo)** en la página web del producto y gire la vista 90°.

Cómo colocar el objetivo para IK10



- 1 Herramienta IK10
- 2 Unidad óptica
- 3 Tornillo de mariposa con resorte (4)

1. Coloque el zoom del objetivo en la posición más amplia.
2. Fije la herramienta IK10 a la cubierta inferior.
3. Afloje los tornillos de mariposa con resorte.
4. Desplace el objetivo de manera que toque la herramienta.
5. Apriete los tornillos de mariposa.

Localice el dispositivo en la red

Para localizar dispositivos Axis en la red y asignarles direcciones IP en Windows®, utilice AXIS IP Utility o AXIS Device Manager. Ambas aplicaciones son gratuitas y pueden descargarse desde axis.com/support.

AXIS P1368-E Network Camera

Para obtener más información acerca de cómo encontrar y asignar direcciones IP, consulte el documento *How to assign an IP address and access your device (Cómo asignar una dirección IP y acceder al dispositivo)*.

ES

AXIS P1368-E Network Camera

Importante

Es preciso tener cuidado si se va a restablecer la configuración predeterminada de fábrica. Todos los valores, incluida la dirección IP, se restablecerán a la configuración predeterminada de fábrica.

Para restablecer el producto a la configuración predeterminada de fábrica:

1. Desconecte la alimentación del producto.
2. Mantenga pulsado el botón de control mientras vuelve a conectar la alimentación. Consulte *Información general del producto en la página 86*.
3. Mantenga pulsado el botón de control durante 15-30 segundos hasta que el indicador LED de estado parpadee en ámbar.
4. Suelte el botón de control. El proceso finaliza cuando el indicador LED de estado se pone verde. El producto se ha restablecido a la configuración predeterminada de fábrica. Si no hay ningún servidor DHCP disponible en la red, la dirección IP predeterminada será 192.168.0.90.
5. Utilice las herramientas del software de instalación y gestión para asignar una dirección IP, establecer la contraseña y acceder a la transmisión de vídeo.

Las herramientas de software de instalación y gestión están disponibles en las páginas de servicio técnico en axis.com/support.

También es posible restablecer los parámetros a los valores predeterminados de fábrica mediante la interfaz web. Vaya a **Settings > System > Maintenance (Ajustes > Sistema > Mantenimiento)** y haga clic en **Default (Predeterminado)**.

Más información

- Para consultar la versión más reciente de este documento, vaya a axis.com.
- El manual de usuario se encuentra disponible en axis.com.
- Para comprobar si existe un firmware actualizado disponible para su dispositivo, vaya a axis.com/support.
- Para consultar webinars y cursos en línea que pueden resultarle útiles, vaya a axis.com/academy.

Accesorios opcionales

Para conocer una lista completa de los accesorios disponibles para este producto, vaya a la página axis.com y seleccione Software y accesorios.

Especificaciones

Indicadores LED

LED de estado	Indicación
Verde	Fijo en verde para indicar un funcionamiento normal.
Ámbar	Fijo durante el inicio. Parpadea al restaurar valores de configuración.

LED de red	Indicación
Verde	Fijo para indicar una conexión a una red de 100 Mbps/s. Parpadea cuando hay actividad de red.
Ámbar	Fijo para indicar una conexión a una red de 10 Mbps/s. Parpadea cuando hay actividad de red.
Apagado	No hay conexión a la red.

LED de alimentación	Indicación
Verde	Funcionamiento normal.
Ámbar	Parpadea en verde/ámbar durante la actualización del firmware.

Ranura para tarjetas SD

AVISO

- Riesgo de daños en la tarjeta SD. No emplee herramientas afiladas, objetos de metal ni demasiada fuerza al insertar o extraer la tarjeta SD. Utilice los dedos para insertar o extraer la tarjeta.
- Riesgo de pérdida de datos y grabaciones dañadas. No extraiga la tarjeta SD mientras el producto esté en funcionamiento. Desinstale la tarjeta SD desde la página web de producto antes de retirarla.

Este producto admite tarjetas microSD/microSDHC/microSDXC.

Para conocer las recomendaciones sobre tarjetas SD, consulte axis.com.

Botones

Botón de control

El botón de control se utiliza para lo siguiente:

- Restablecer el producto a la configuración predeterminada de fábrica. Consulte .

Conectores

Conector de red

Conector Ethernet RJ45 con alimentación a través de Ethernet (PoE).

Conector de audio

El producto de Axis integra los siguientes conectores de audio:

- **Entrada de audio:** Entrada de 3,5 mm para micrófono mono, o entrada de línea de señal mono (se usa el canal izquierdo de una señal estéreo).
- **Salida de audio:** Salida para audio (nivel de línea) de 3,5 mm que se puede conectar a un sistema de megafonía pública o a un altavoz con amplificador incorporado. Debe utilizarse un conector estéreo para la salida de audio.

ES

Conectores de audio de 3,5 mm (estéreo)



	1 Punta	2 Anillo	3 Manguito
Entrada de audio	Entrada de línea/micrófono		Tierra
Salida de audio	Salida de línea (mono)		Tierra

Conector de E/S

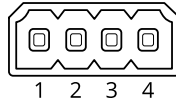
Utilice el conector de E/S con dispositivos externos en combinación con detección de movimiento, activación de eventos y notificaciones de alarma, por ejemplo. Además del punto de referencia de 0 V CC y la alimentación (salida de CC), el conector de E/S ofrece una interfaz para:

Entrada digital – Conectar dispositivos que puedan alternar entre circuitos cerrados y abiertos, por ejemplo, sensores PIR, contactos de puertas y ventanas o detectores de cristales rotos.

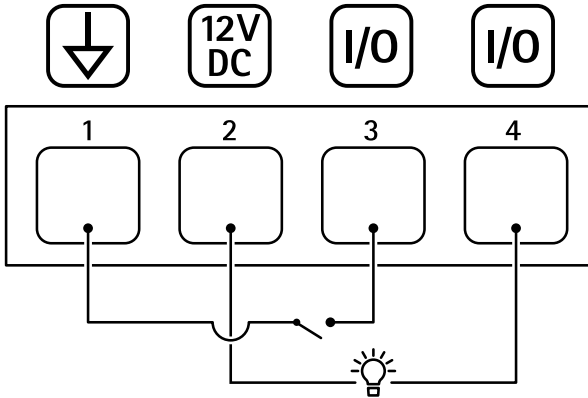
Salida digital – Conectar dispositivos externos como relés y LED. Los dispositivos conectados se pueden activar mediante la interfaz de programación de aplicaciones VAPIX®, mediante un evento o desde la página web del producto.

AXIS P1368-E Network Camera

Bloque de terminales de 4 pines



Ejemplo



- 1 Tierra CC
- 2 Salida de CC 12 V, 50 mA máx.
- 3 E/S configurada como entrada
- 4 E/S configurada como salida

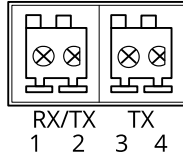
Conector RS485/RS422

Dos bloques de terminales de 2 pines para la interfaz serie RS485/RS422 usada para controlar equipos auxiliares, como dispositivos de movimiento horizontal/vertical.

El puerto serie puede configurarse para admitir:

- Semidúplex RS485 de dos cables
- Dúplex completo RS485 de cuatro cables
- Simplex RS422 de dos cables
- Dúplex completo RS422 de cuatro cables para comunicación dúplex punto a punto

RS485/422



Función	Pin	Notas
RS485B alt RS485/422 RX(B)	1	Par RX para todos los modos (RX/TX combinados para RS485 de dos cables)
RS485A alt RS485/422 RX(A)	2	
RS485/RS422 TX(B)	3	Par TX para RS422 y RS485 de cuatro cables
RS485/RS422 TX(A)	4	

ES

Importante

La longitud de cable máxima es 30 m.

Condiciones de funcionamiento

Producto	Temperatura	Humedad
AXIS P1368-E	De -40 °C a 55 °C	Humedad relativa del 10 al 100 % (con condensación)

Consumo de energía

AVISO

Utilice una fuente de alimentación limitada (LPS) con una potencia nominal de salida limitada a ≤ 100 W o una corriente nominal de salida limitada a ≤ 5 A.

Producto	Alimentación a través de Ethernet (PoE) IEEE 802.3af/802.3at Tipo 1 Clase 3
AXIS P1368-E	9,5 W máx. 6,4 W típicos

Información de seguridad

Niveles de peligro

▲PELIGRO

Indica una situación peligrosa que, si no se evita, provocará lesiones graves o la muerte.

▲ADVERTENCIA

Indica una situación peligrosa que, si no se evita, puede provocar lesiones graves o la muerte.

▲ATENCIÓN

Indica una situación peligrosa que, si no se evita, puede provocar lesiones moderadas o leves.

AVISO

Indica una situación peligrosa que, si no se evita, puede provocar daños materiales.

ES

Otros niveles de mensaje

Importante

Indica información importante que es fundamental para que el producto funcione correctamente.

Nota

Indica información útil que ayuda a aprovechar el producto al máximo.

Instrucciones de seguridad

AVISO

- Este producto de Axis debe utilizarse de acuerdo con las leyes y normativas locales.
- Axis recomienda utilizar un cable de red de categoría CAT5e o superior.
- Almacene el producto de Axis en un entorno seco y ventilado.
- Evite la exposición del producto de Axis a choques o a una fuerte presión.
- No instale el producto en postes, soportes, superficies o paredes inestables.
- Utilice solo las herramientas correspondientes cuando instale el producto de Axis. La aplicación de una fuerza excesiva con herramientas eléctricas puede provocar daños en el producto.
- No utilice limpiadores en aerosol, agentes cáusticos ni productos químicos.
- Limpie con un paño limpio humedecido con agua pura.
- Utilice solo accesorios que cumplan con las especificaciones técnicas de su producto. Estos accesorios los puede proporcionar Axis o un tercero. Axis recomienda utilizar un equipo de suministro de alimentación de Axis compatible con su producto.
- Utilice solo piezas de repuesto proporcionadas o recomendadas por Axis.
- No intente reparar el producto usted mismo. Póngase en contacto con el servicio de asistencia técnica de Axis o con su distribuidor de Axis para tratar asuntos de reparación.

Transporte

AVISO

- Cuando transporte el producto de Axis, utilice el embalaje original o un equivalente para evitar daños en el producto.

Batería

Este producto de Axis utiliza una batería de litio CR2032 de 3,0 V como fuente de alimentación del reloj interno en tiempo real. En condiciones normales, esta batería durará un mínimo de cinco años.

⚠ATENCIÓN

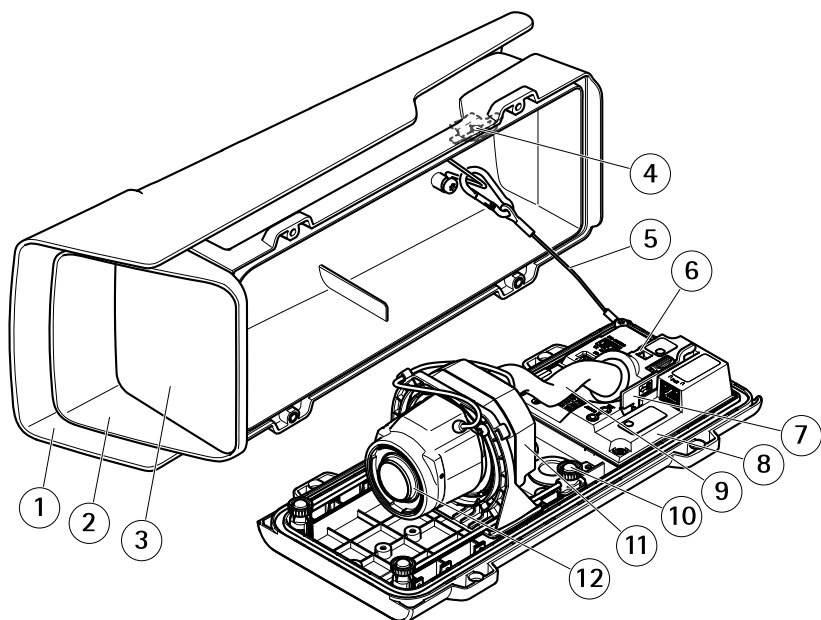
No sustituya la batería usted mismo. Póngase en contacto con el servicio de asistencia técnica de Axis si el mensaje de registro solicita un cambio de batería.

Las pilas de botón de litio de 3,0 V contienen 1,2-dimetoxietano; éter dimetilico de etilenglicol (EGDME), n.º CAS 110-71-4.

パッケージの内容

- AXIS P1368-E ネットワークカメラ
- 外部デバイス接続用4ピンI/Oコネクタブロック
- 2ピン RS485/422 コネクタブロック (×2)
- 壁面取付ブラケット
- トルクスT20ドライバー
- トルクススクリュービットT30
- RJ45用取付ツール
- IK10ツール
- 乾燥剤
- 印刷物
 - インストールガイド (本書)
 - 予備のシリアル番号ラベル (2枚)
 - AVHS認証キー

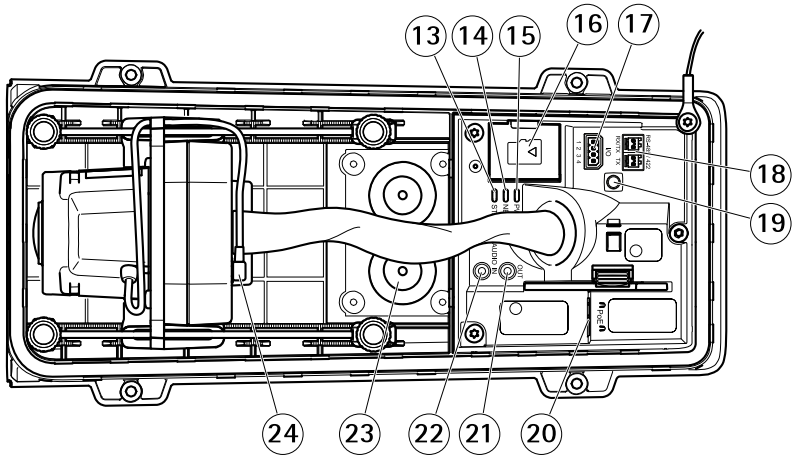
製品の概要



- 1 ウェザーシールド
- 2 上蓋
- 3 ウィンドウ
- 4 侵入アラームマグネット
- 5 安全ワイヤー
- 6 ケーブルタイアンカー
- 7 IK10ツール
- 8 侵入アラームセンサー
- 9 ケーブルカバー
- 10 バネ付きつまみネジ (×4)
- 11 光学ユニット
- 12 レンズ

注記

ケーブルカバーを付けたまま本製品を持ち上げないでください。



- 13 ステータスLED
- 14 ネットワークLED
- 15 電源LED
- 16 microSDカードスロット
- 17 I/Oコネクタ
- 18 RS485/422コネクタ
- 19 コントロールボタン
- 20 ネットワークコネクタ (PoE)
- 21 音声出力
- 22 音声入力
- 23 ケーブルガasket M20 (×2)
- 24 アイリスコネクタ

製品の取り付け方法

ハードウェアのインストール

注記

- 本製品を使用する場所の地域条例、環境、電気的条件によっては、シールドネットワークケーブル (STP) の使用が推奨または必須になります。本製品をネットワークに接続して屋外または電氣的に厳しい環境に配線する場合は、用途に合ったネットワークケーブルを使用してください。ネットワーク装置がメーカーの指示どおりに設置されていることを確認します。

法的要件については、*Regulatory information on page 4*を参照してください

- 画質低下の原因になるため、ウィンドウに傷や指紋を付けたり、損傷しないように注意してください。

本製品は、ケーブルを壁に沿わせたり、壁の中を通して配線して、設置することができます。

製品を取り付ける前に、すべての説明に目を通してください。

壁面取付ブラケットの取り付け

▲注意

ネジやプラグ類が、壁の材質 (木、金属、乾式壁、石) に適しているか確認してください。また、壁の材質が、カメラ、ハウジング、壁面取付ブラケットの合計重量を十分に支えられることを確認してください。

1. 壁面取付ブラケットを取り付ける壁面の準備を行います。壁面ブラケットを壁に合わせ、穴を開ける位置に印を付けます。
2. ネットワークケーブルを壁面ブラケットに通します。カメラとの接続用に30 cmほどケーブルを残します。
3. I/O、音声、外部電源デバイスなどの補助デバイスをカメラに接続する場合、それぞれのデバイスについて同じ手順を繰り返します。
4. ネジを締め、壁面ブラケットを壁面に固定します。

注意

- 詳しい取り付け手順については、壁面取付ブラケットに同梱のインストールガイド、およびwww.axis.comを参照してください。

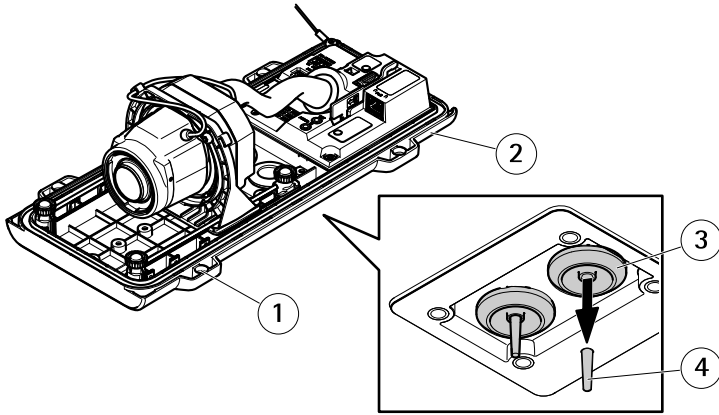
カメラの設置

1. 裏蓋ネジを緩め、上蓋を持ち上げます。

注記

- 複数のケーブルを使用する場合、各ケーブルをそれぞれ別のケーブルガサケットに通す必要があります。

- 使用するケーブルガasketのみ穴を開けます。ケーブルガasketが破損した場合には、新品のケーブルガasketに交換してください。ケーブルガasketに穴を開けたままにしたり、破損したケーブルガasketを使用したりすると、浸水し、製品が破損するおそれがあります。
2. 使用するケーブルガasketを選び、タブを引いてネットワークケーブル用の穴を開けます。

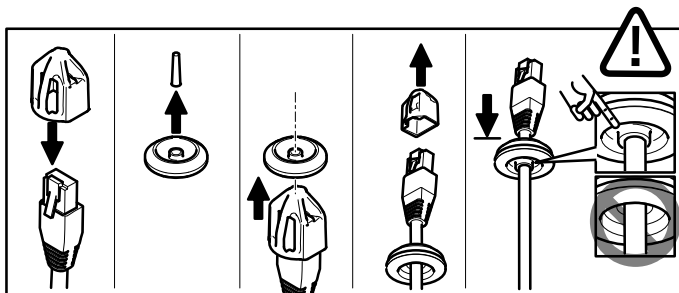


- 1 裏蓋
- 2 裏蓋ネジT20 (x4)
- 3 ケーブルガasket M20 (x2)
- 4 タブ

3. ネットワークケーブルをケーブルガasketに通します。

注記

ネットワークケーブルにネットワークコネクタが付いている場合、ケーブルガasketを取り外し、コネクタガードを使用して、ケーブルガasketの破損を防止します。キャップ付きネットワークコネクタの付いたネットワークケーブルは使用しないでください。コネクタガードを使用してもケーブルガasketが破損するおそれがあります。



4. ネットワークケーブルを少し手前に引き、ケーブルガasketをケーブルにぴったりと合わせます。

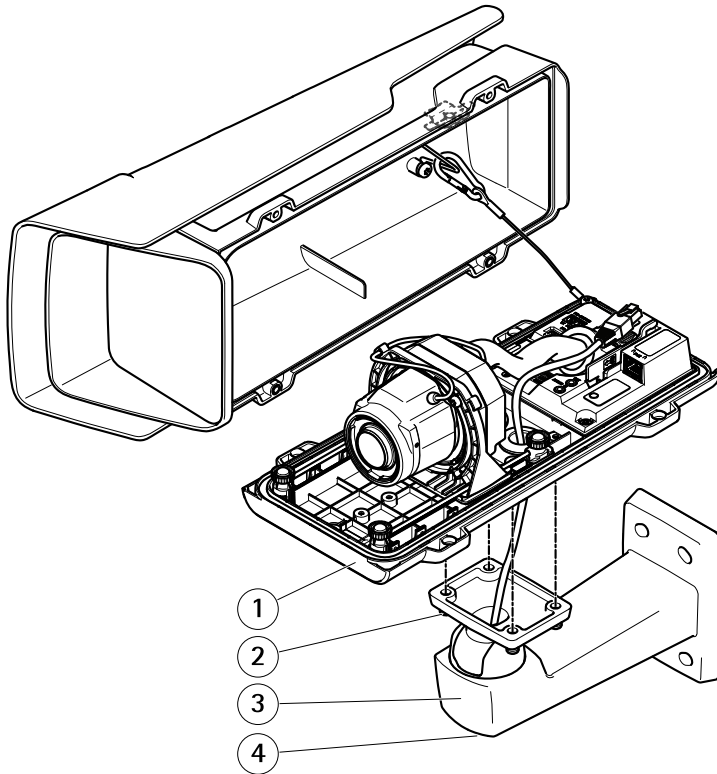
注記

ケーブルを引いて手前に戻さないと、浸水して製品が損傷するおそれがあります。

5. ケーブルガasketが正しく取り付けられていることを確認します。
6. I/O、音声、外部電源デバイスなどの補助デバイスをカメラに接続する場合、それぞれのデバイスについて同じ手順を繰り返します。

注記

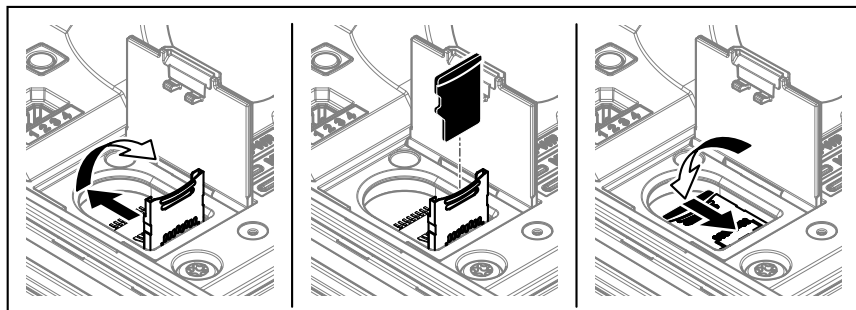
ケーブルをケーブルガasketに通した後にコネクタを取り付けます。



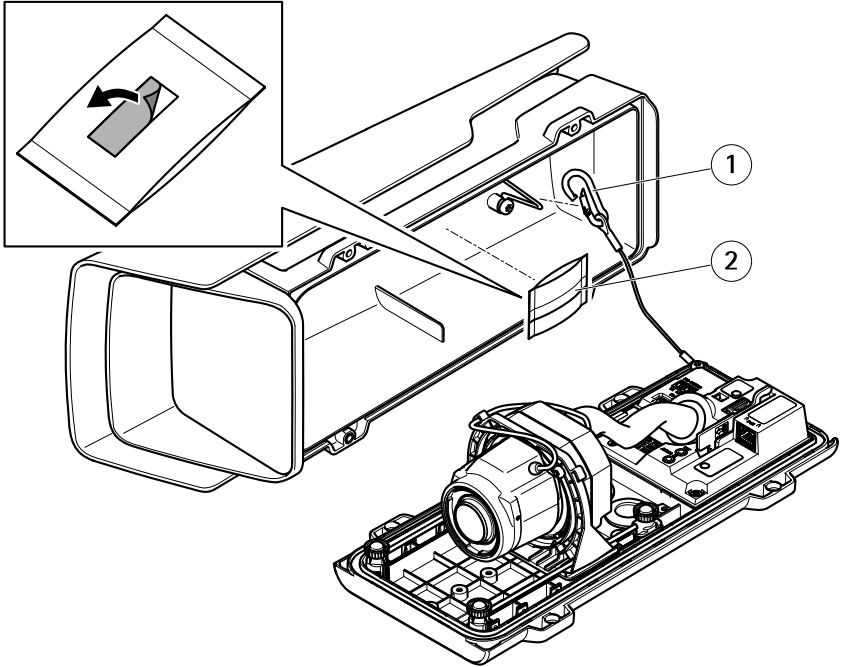
JA

- 1 裏蓋
- 2 ネジT20 (×4)
- 3 壁面ブラケット
- 4 ブラケット調節ネジT30

7. 裏蓋を壁面取付ブラケットに取り付け、ネジを締めます (トルク2 Nm)。
8. 必要に応じて、外部I/Oデバイスまたは音声デバイスをカメラに接続します。



9. SDカードをローカルストレージとして使用する場合は、カメラのSDカードスロットにSDカードを挿入します。
10. ネットワークケーブルを接続します。
11. カメラのLEDが正しい状態を示しているかを確認します。118ページの、*LEDインジケーター*を参照してください。
12. ブラケット調整ネジを緩め、カメラを撮影方向に向けます。ビデオストリームを表示する方法については、115ページの、*ネットワーク上のデバイスを検索する*を参照してください
13. 納入時に、レンズはIK10用に対応するよう正しく配置されています。レンズを移動または交換する場合は、光学部をIK10に合うように再配置する必要があります。詳細については、115ページの、*IK10のレンズの配置方法*を参照してください。



- 1 安全フック
- 2 乾燥剤

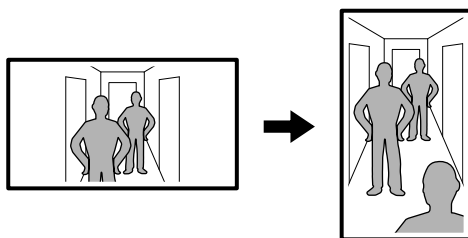
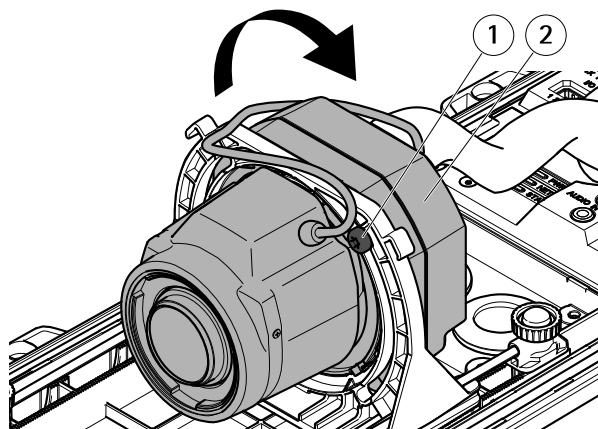
14. 乾燥剤のビニール包装を取り外します。
15. 接着保護ストリップを剥がして乾燥剤を上蓋に取り付けます。
16. ハウジングを閉じます。裏蓋ネジを数回ずつ回して、すべてのネジが締まるまでこれを繰り返します (トルク1.5 Nm)。これにより、裏蓋のガスケットに均等に力が掛かります。

注記

ハウジングを閉じるときに、ケーブルを挟まないようにしてください。

17. 必要に応じて、ウェザーシールドのネジを緩め、位置を調節してネジを締めます。

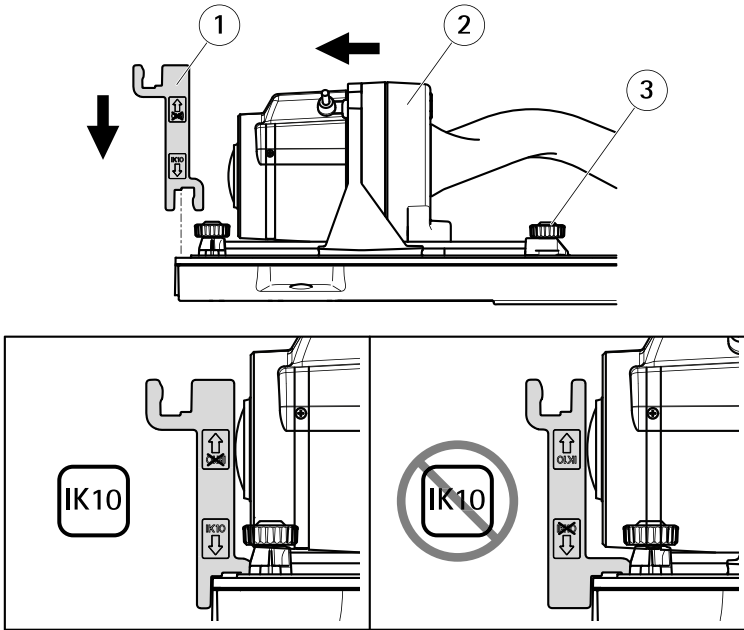
Corridor Format の設定方法



- 1 固定ネジ(×2)
- 2 光学ユニット

1. 固定ネジを緩めます。
2. 光学ユニットを回転させます。
3. 固定ネジを締めます。
4. 本製品のWebページで **[Stream (ストリーム)]** タブに移動し、視野を90°回転させます。

IK10のレンズの配置方法



- 1 IK10ツール
- 2 光学ユニット
- 3 バネ付きつまみネジ(×4)

1. レンズを最も広角の位置までズームします。
2. 裏蓋にIK10ツールを取り付けます。
3. バネ付きつまみネジを緩めます。
4. ツールに触れる位置までレンズを動かします。
5. バネ付きつまみネジを締めます。

ネットワーク上のデバイスを検索する

Windows®でAxisデバイスを探してIPアドレスの割り当てを行う方法については、AXIS IP UtilityまたはAXIS Device Managerを使用してください。いずれのアプリケーションも無料で、axis.com/supportからダウンロードできます。

IPアドレスの検索や割り当てを行う方法の詳細については、ドキュメント *IPアドレスの割り当てとデバイスへのアクセス方法*を参照してください。

重要

工場出荷時の設定へのリセットは慎重に行ってください。工場出荷時の設定へのリセットを行うと、IPアドレスを含むすべての設定が工場出荷時の値にリセットされます。

本製品を工場出荷時の設定にリセットするには、以下の手順を実行します。

1. 本製品の電源を切ります。
2. コントロールボタンを押した状態で電源を再接続します。106ページの、*製品の概要*を参照してください。
3. ステータスLEDインジケーターがオレンジ色に点滅するまで、コントロールボタンを15～30秒間押し続けます。
4. コントロールボタンを離します。プロセスが完了すると、ステータスLEDが緑色に変わります。これで本製品は工場出荷時の設定にリセットされました。ネットワーク上に利用可能なDHCPサーバーがない場合、デフォルトのIPアドレスは192.168.0.90になります。
5. インストールおよび管理ソフトウェアツールを使用して、IPアドレスの割り当て、パスワードの設定、ビデオストリームへのアクセスを行います。
*axis.com/support*のサポートページに、インストールおよび管理ソフトウェアツールが用意されています。

Webインターフェースを使用して、各種パラメーターを工場出荷時の設定に戻すこともできます。**Settings > System > Maintenance (設定 > システム > メンテナンス)**を選択し、**Default (デフォルト)**をクリックします。

関連情報

- 本書の最新バージョンについては、axis.comにアクセスしてください。
- ユーザーズマニュアルは、axis.comで入手できます。
- ご使用のデバイスの新しいファームウェアがリリースされていないかを確認するには、axis.com/supportにアクセスしてください。
- 役に立つオンライントレーニングおよびWebセミナーをご用意しております。axis.com/academyをご覧ください。

オプションアクセサリー

本製品で利用可能なすべてのアクセサリーについては、axis.comで本製品のページを開いて「ソフトウェア&アクセサリー」を参照してください。

仕様

LEDインジケータ

ステータスLED	説明
緑	正常動作の場合緑色に点灯します。
オレンジ	起動時に点灯します。設定の復元時に点滅します。

ネットワークLED	説明
緑	100Mbit/sネットワークに接続している場合、点灯します。ネットワークパケットを送受信した場合、点滅します。
オレンジ	10Mbit/sネットワークに接続している場合、点灯します。ネットワークパケットを送受信した場合、点滅します。
無点灯	ネットワーク接続なし。

電源LED	説明
緑	正常動作。
オレンジ	ファームウェアアップグレード中は緑とオレンジで交互に点滅します。

SDカードスロット

注記

- SDカード損傷の危険があります。SDカードの挿入と取り外しの際には、鋭利な工具や金属性の物を使用したり、過剰な力をかけたりしないでください。カードの挿入や取り外しは指で行ってください。
- データ損失や録画データ破損の危険があります。本製品の稼働中はSDカードを取り外さないでください。取り外しの前に、製品のWebページからSDカードをマウント解除してください。

本製品は、microSD/microSDHC/microSDXCカードに対応しています。

推奨するSDカードについては、axis.comを参照してください。

ボタン

コントロールボタン

コントロールボタンは、以下の用途で使用します。

- 製品を工場出荷時の設定にリセットする。を参照してください。

コネクター

ネットワークコネクタ


Power over Ethernet (PoE) 対応RJ45イーサネットコネクタ

音声コネクタ

本製品は、以下の音声コネクタを搭載しています。

- 音声入力** - モノラルマイクロフォンまたはラインインモノラル信号用 (左チャンネルはステレオ信号で使用) 3.5 mm入力。
- 音声出力** - 3.5 mm音声 (ラインレベル) 出力 (パブリックアドレス (PA) システムまたはアンプ内蔵アクティブスピーカーに接続可能)。音声出力には、ステレオコネクタを使用する必要があります。

1 2 3

3.5 mm音声コネクタ (ステレオ) 

JA

	1 チップ	2 リング	3 スリーブ
音声入力	マイクロフォン/ライン入力		グラウンド
音声出力	ライン出力 (モノラル)		グラウンド

I/Oコネクタ

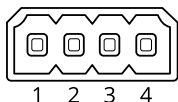
I/Oコネクタに外部装置を接続し、動体検知、イベントトリガー、アラーム通知などと組み合わせて使用することができます。I/Oコネクタは、0V DC基準点と電力 (DC出力) に加えて、以下のインターフェースを提供します：

デジタル入力 - 開回路と閉回路の切り替えが可能なデバイス (PIRセンサー、ドア/窓の接触、ガラス破損検知器など) を接続するための入力です。

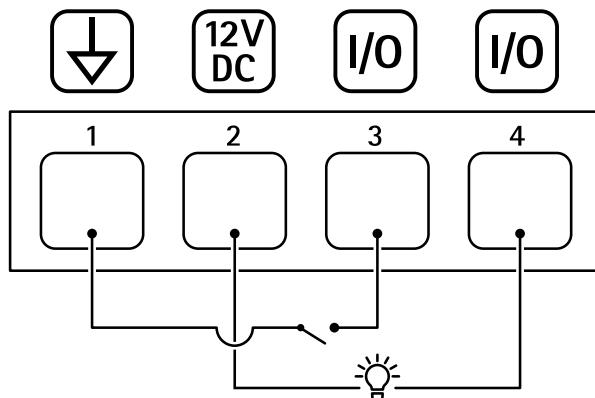
AXIS P1368-E Network Camera

デジタル出力 - リレーやLEDなどの外部デバイスを接続します。接続されたデバイスは、VAPIX®アプリケーションプログラミングインターフェースを通じたイベントまたは製品のWebページからアクティブにすることができます。

4ピンターミナルブロック



例



- 1 DCグランド
- 2 DC出力 12 V、最大50 mA
- 3 I/O (入力として設定)
- 4 I/O (出力として設定)

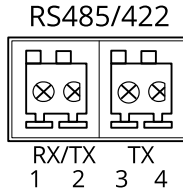
RS485/RS422 コネクター

パン/チルトデバイスなど補助装置の制御に使用する、RS485/RS422シリアルインターフェース用の2ピンターミナルブロック×2。

シリアルポートの設定により、次のモードをサポート可能。

- 2ワイヤーRS485半二重
- 4ワイヤーRS485全二重
- 2ワイヤーRS422単方向

- 4ワイヤーRS422全二重ポイントツーポイント通信



機能	ピン	備考
RS485BまたはRS485/422 RX(B)	1	すべてのモードのRXペア (2ワイヤーRS485のRX/TXペア)
RS485A5BまたはRS485/422 RX(A)	2	
RS485/RS422 TX(B)	3	RS422および4ワイヤーRS485のTXペア
RS485/RS422 TX(A)	4	

JA

重要

ケーブルの最大長は30 mです。

動作条件

製品	温度	湿度
AXIS P1368-E	-40 ° C ~ 55 ° C	10 ~ 100% RH (結露可)

消費電力

注記

定格出力が100Wまたは5A以下の有限電源 (LPS) を使用します。

製品	Power over Ethernet (PoE) IEEE 802.3af/802.3at Type 1 Class 3
AXIS P1368-E	最大9.5 W 標準6.4 W

安全情報

危険レベル

▲危険

回避しない場合、死亡または重傷につながる危険な状態を示します。

▲警告

回避しない場合、死亡または重傷につながるおそれのある危険な状態を示します。

▲注意

回避しない場合、軽傷または中程度の怪我につながるおそれのある危険な状態を示します。

注記

回避しない場合、器物の破損につながるおそれのある状態を示します。

その他のメッセージレベル

重要

製品を正しく機能させるために不可欠な重要情報を示します。

注意

製品を最大限に活用するために役立つ有用な情報を示します。

安全手順

注記

- 本製品は、お使いになる地域の法律や規制に準拠して使用してください。
- Axisは、カテゴリCAT5e以上のネットワークケーブルの使用を推奨します。
- 本製品は乾燥した換気のよい環境に保管してください。
- 本製品に衝撃または強い圧力を加えないでください。
- 本製品を不安定なポール、ブラケット、表面、または壁に設置しないでください。
- 本製品を設置する際には、適切な工具のみを使用してください。電動工具を使用して過剰な力をかけると、製品が損傷することがあります。
- 化学薬品、腐食剤、噴霧式クリーナーは使用しないでください。
- 清掃には、きれいな水に浸した清潔な布を使用してください。
- 製品の技術仕様に準拠したアクセサリのみを使用してください。これらのアクセサリは、Axisまたはサードパーティから入手できます。Axisは、ご使用の製品と互換性のあるAxis給電ネットワークスイッチの使用を推奨します。
- Axisが提供または推奨する交換部品のみを使用してください。
- 製品を自分で修理しないでください。修理については、Axisサポートまたは販売代理店にお問い合わせください。

輸送

注記

- 本製品を運搬する際は、製品が損傷しないよう、元の梱包が同等の梱包を使用してください。

バッテリー

本製品は、内部リアルタイムクロック (RTC) 用電源として、3.0V CR2032リチウムバッテリーを使用します。このバッテリーは、通常条件下で最低5年間使用できます。

注意

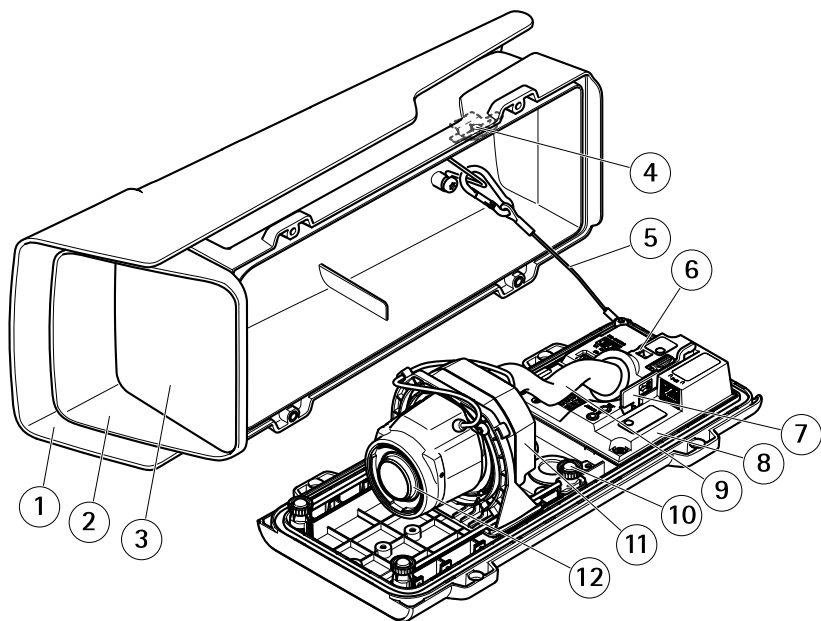
自分でバッテリーを交換しないでください。ログメッセージがバッテリーの交換を要求している場合は、アクシスサポートに連絡してください。

リチウムコイン型3.0V電池は、1,2-ジメトキシエタン (エチレングリコールジメチルエーテル (EGDME)、CAS番号110-71-4) を含有しています。

包装内容

- AXIS P1368-E 网络摄像机
- 用于连接外部设备的 4 针 I/O 连接器块
- 2 针 RS485/422 连接器块 (2 个)
- 墙壁式安装
- Torx 螺丝刀 T20
- Torx 螺丝批头 T30
- 适用于 RJ45 的安装工具
- IK10 工具
- 干燥剂袋
- 印刷资料
 - 安装指南 (本文档)
 - 额外的序列号标签 (2 个)
 - AVHS 身份验证密钥

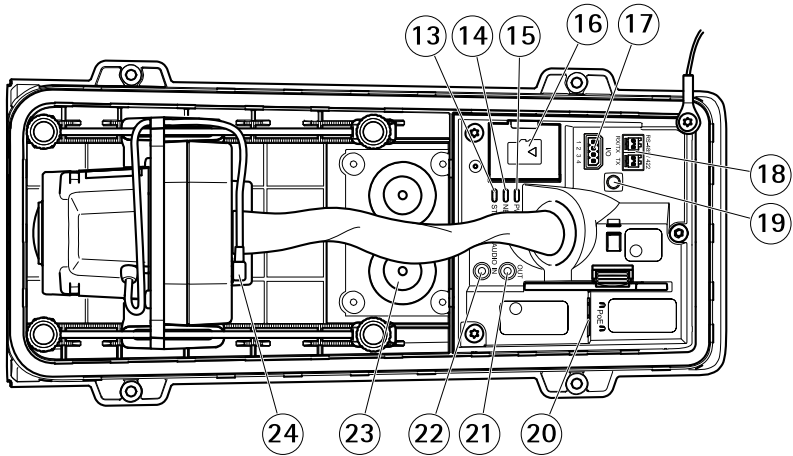
产品概述



- 1 耐候保护罩
- 2 顶盖
- 3 窗片
- 4 入侵报警磁铁
- 5 安全线
- 6 扎线带固定点
- 7 IK10 工具
- 8 入侵报警传感器
- 9 电缆盖板
- 10 带弹簧的拇指螺丝 (4 颗)
- 11 光学单元
- 12 镜头

注意

请勿使用电缆盖板提起该产品。



- 13 状态 LED
- 14 网络 LED
- 15 电源 LED
- 16 microSD 卡插槽
- 17 I/O 连接器
- 18 RS485/422 连接器
- 19 控制按钮
- 20 网络连接器 (PoE)
- 21 音频输出
- 22 音频输入
- 23 电缆垫片 M20 (2 个)
- 24 光圈连接器

如何安装产品

安装硬件

注意

- 由于当地法规或产品使用场所的环境和电气条件，可能需要使用屏蔽网络电缆 (STP)。将产品连接到网络的电缆以及在室外或恶劣电气环境中布放的电缆应专用于其特定用途。确保根据制造商的说明安装网络设备。

有关法规要求的信息，请参见 *Regulatory information on page 4*

- 小心不要划伤、损坏或在窗片上留下指纹，因为这可能会降低图像质量。

安装安讯士产品时，可以穿过或沿着墙壁布线。

安装产品之前，请阅读说明。

安装壁式支架

小心

请确保螺丝和插头适用于相关材料（如木材、金属、干式墙、石头），且材料足够坚固，能够承受摄像机、护罩和壁式支架的全部重量。

1. 为安装壁式支架对墙壁实施前期准备工作将壁式支架用作样板，标记待钻的孔。
2. 将网线穿过壁式支架。留出近 30 厘米（11.8 英寸）线缆用于连接摄像机。
3. 如果将辅助设备（如 I/O、音频或外部电源设备）连接至摄像机，请重复上述适用于特定设备的步骤。
4. 拧紧螺丝，将壁式支架紧固在墙壁上。

备注

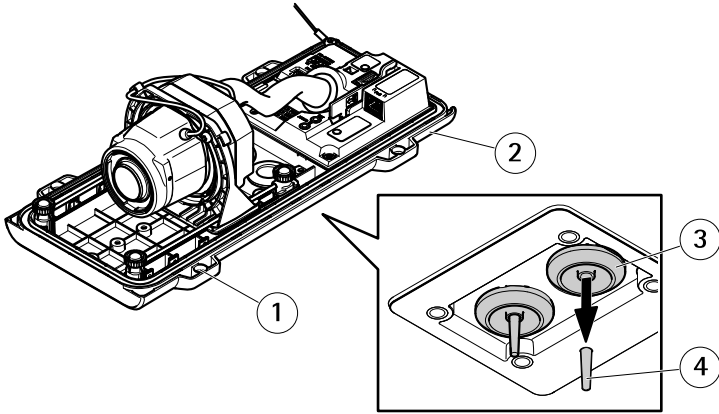
- 如欲了解详细说明，请查阅壁式支架的安装指南，它随附在包装内，同时发布于 www.axis.com

安装摄像机

1. 松开底盖螺丝，然后提起顶盖。

注意

- 如果使用多条电缆，每条电缆都必须穿过单独的电缆垫片。
 - 仅要在要使用的电缆垫片上开一个孔，如果垫片破损，请使用新的电缆垫片进行更换。让电缆垫片打开或使用破损的电缆垫片可能导致水渗入并损坏产品。
2. 选择要使用的电缆垫片，然后拉动卡舌为网络电缆开一个孔。



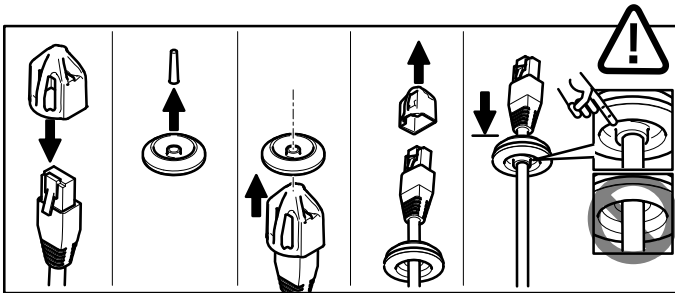
- 1 底盖
- 2 底盖螺丝 T20 (4 颗)
- 3 电缆垫片 M20 (2 个)
- 4 卡舌

3. 将网络电缆穿过电缆垫片。

注意

如果网络电缆具有预装网络连接器，请移除电缆垫片并使用连接器防护件防止电缆垫片破损。避免使用具有带帽网络连接器的网络电缆，因为即使使用连接器防护件，它们也可能导致电缆垫片破损。

ZH



4. 轻轻回拉网络电缆，以便调整电缆垫片在电缆上的位置。

注意

不回拉电缆可能会导致水渗入而损坏产品。

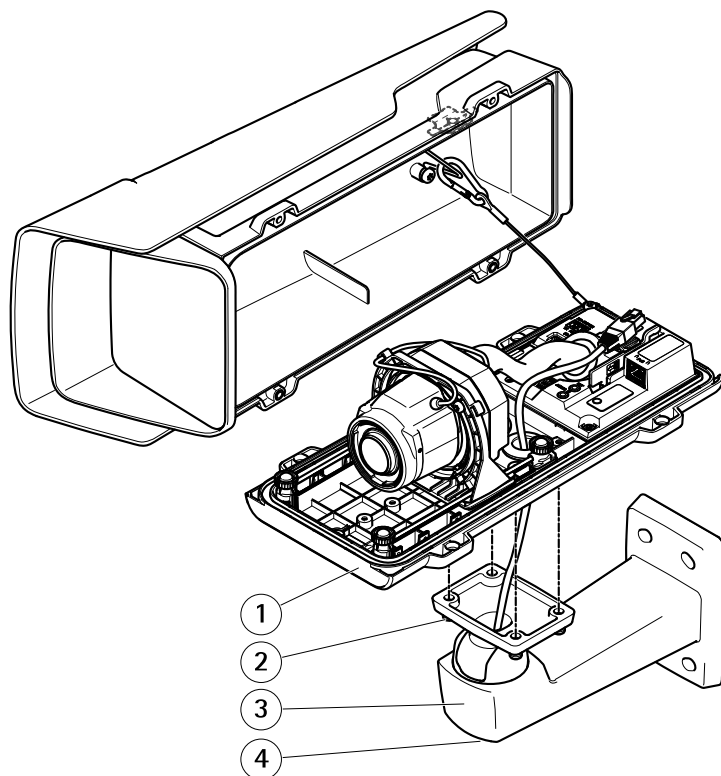
5. 确保电缆垫片正确安装。

AXIS P1368-E Network Camera

6. 如果将辅助设备（例如，I/O、音频或外部电源设备）连接到摄像机，请重复上述适用于特定设备的步骤。

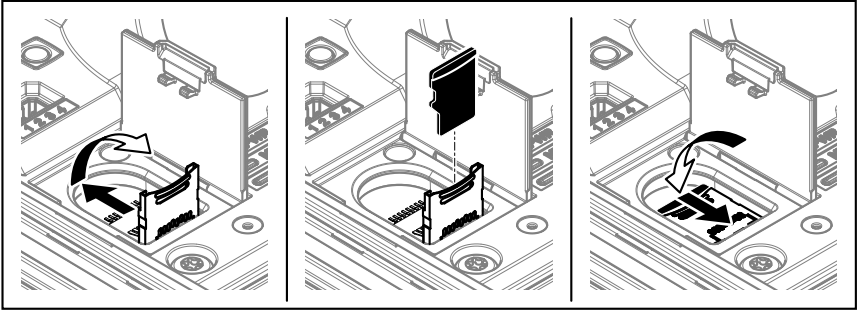
注意

将电缆穿过电缆垫片，然后安装连接器。

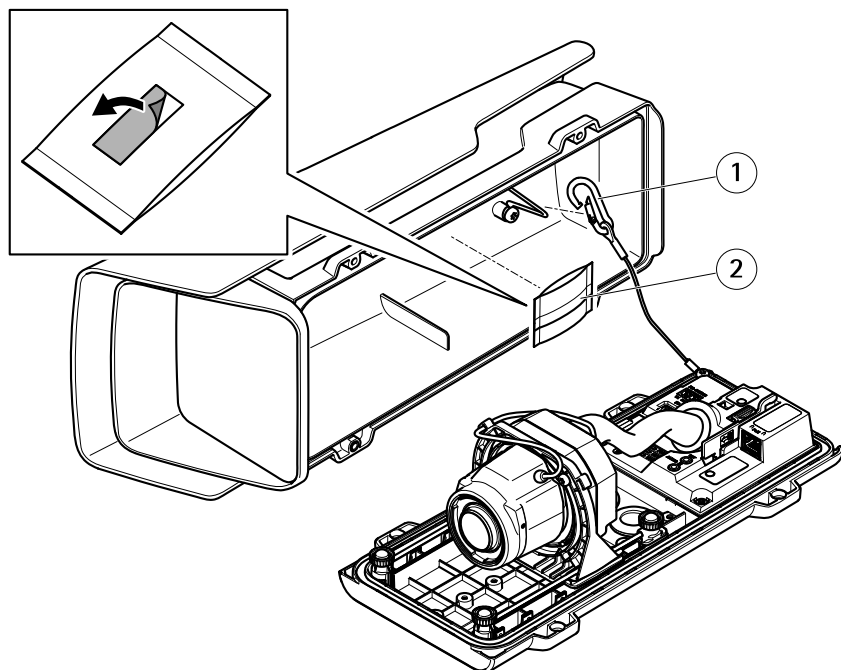


- 1 底盖
- 2 螺丝 T20 (4 颗)
- 3 墙挂支架
- 4 支架调整螺丝 T30

7. 将底盖放在墙挂支架上，然后拧紧螺丝（扭矩 2 Nm）。
8. 如果适用，将外部 I/O 设备或音频设备连接到摄像机。



9. 如果使用 SD 卡进行本地存储，请将卡插入摄像机的 SD 卡插槽。
10. 连接网线。
11. 确保摄像机 LED 指示正确的情况。请参见 *LED 指示灯* 在第 137 页。
12. 松开支架调整螺丝，将摄像机朝向感兴趣的地方。有关如何查看视频流的信息，请参见 *在网络上查找设备* 在第 134 页。
13. 在交货时，镜头已正确定位，满足 IK10 防护等级。如果移动或更换镜头，您需要重新定位光学总成以确保 IK10 防护等级，请参见 *如何定位镜头以满足 IK10 防护等级* 在第 134 页。



- 1 安全挂钩
- 2 干燥剂袋

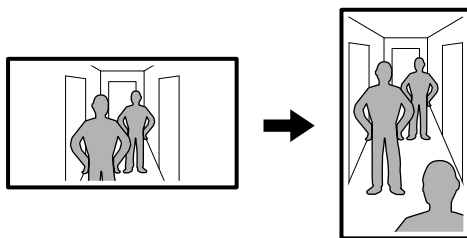
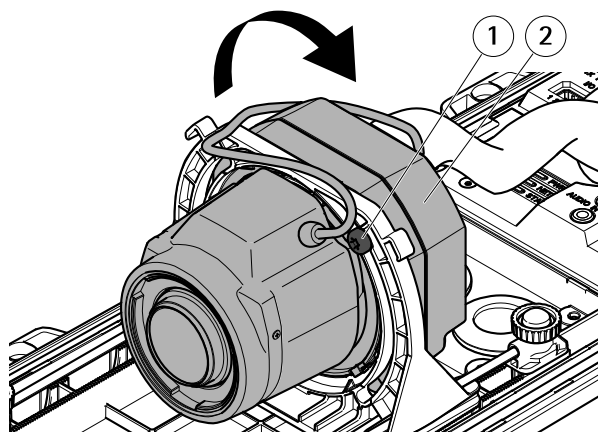
14. 从干燥剂袋中取出塑料包装。
15. 移除粘合剂上的保护条，然后将干燥剂袋粘贴在顶盖上。
16. 关上护罩。交替拧几次底盖螺丝，直到将其拧紧为止（扭矩 1.5 Nm）。这将均匀压缩底盖垫片。

注意

关闭护罩时，请勿夹住电缆。

17. 如果需要，请松开耐候保护罩上的螺丝，调整其位置，然后拧紧螺丝。

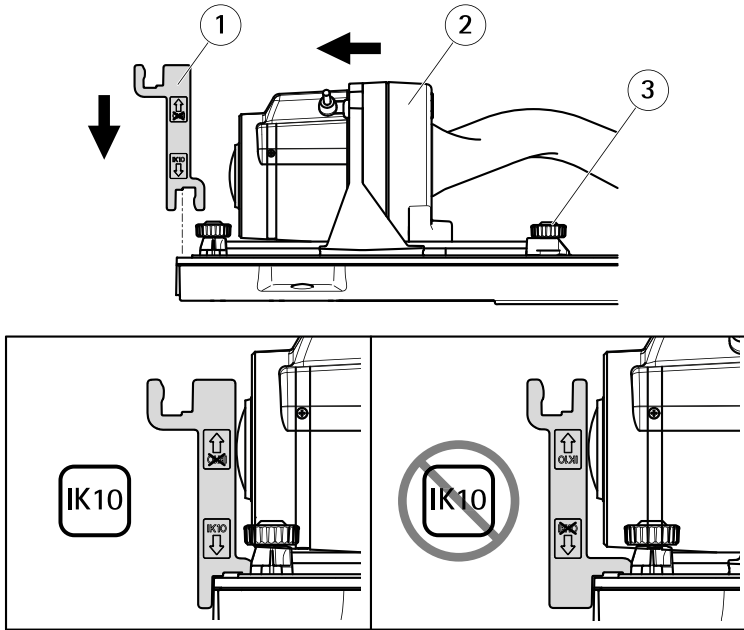
如何设置走廊模式



- 1 锁定螺丝 (2 颗)
- 2 光学单元

1. 松开两颗锁定螺丝。
2. 旋转光学单元。
3. 拧紧锁定螺丝。
4. 转到产品网页中的 **Stream (流)** 选项卡，然后将视图旋转 90°。

如何定位镜头以满足 IK10 防护等级



- 1 IK10 工具
- 2 光学单元
- 3 带弹簧的拇指螺丝 (4 颗)

1. 将镜头变焦到其最宽位置。
2. 将 IK10 工具安装到底盖上。
3. 松开带弹簧的拇指螺丝。
4. 移动镜头以使其接触该工具。
5. 拧紧拇指螺丝。

在网络上查找设备

若要在网络中查找 Axis 设备并为它们分配 Windows® 中的 IP 地址，请使用 AXIS IP Utility 或 AXIS 设备管理器。这两种应用程序都是免费的，可以从 axis.com/support 上下载。

有关如何查找和分配 IP 地址的更多信息，请参阅文档 *如何分配一个 IP 地址和访问您的设备*。

重要

重置为出厂默认设置时应谨慎。重置为出厂默认设置会将全部设置（包括 IP 地址）重置为出厂默认值。

将产品重置为出厂默认设置：

1. 断开产品电源。
2. 按住控制按钮，同时重新连接电源。请参见 *产品概述* 在第 126 页。
3. 按住控制按钮 15–30 秒，直到 LED 状态指示灯呈橙色闪烁。
4. 松开控制按钮。当 LED 状态指示灯变绿时，此过程完成。产品已重置为出厂默认设置。如果网络上没有可用的 DHCP 服务器，则默认 IP 地址为 192.168.0.90。
5. 使用安装和管理软件工具分配 IP 地址、设置密码和访问视频流。

安装和管理软件工具可在 axis.com/support 的支持页上获得。

也可通过网页界面将参数重置为出厂默认设置。转到 **设置 > 系统 > 维护**，然后单击 **默认**。

更多信息

- 若要获取本文档的新版本，请参见 axis.com
- 用户手册可从 axis.com 获取
- 要检查是否有设备的可用更新固件，请参见 axis.com/support
- 如需有用的在线培训和在线研讨会，请参见 axis.com/academy

可选附件

欲查看本产品可用附件的完整列表，请转到 axis.com 上的产品页并选择“软件和附件”。

规格

LED 指示灯

LED 状态指示灯	指示
绿色	绿色常亮表示正常工作。
橙色	在启动期间稳定。在恢复设置时闪烁。

LED 网络指示灯	指示
绿色	稳定表示连接到 100 Mbit/s 网络。闪烁表示网络活动。
橙色	稳定表示连接到 10 Mbit/s 网络。闪烁表示网络活动。
不亮	没有网络连接。

LED 电源指示灯	指示
绿色	工作正常。
橙色	在固件升级过程中呈绿色/橙色闪烁。

ZH

SD 卡插槽

注意

- 损坏 SD 卡的风险。插入或取出 SD 卡时，请勿使用锋利的工具、金属物体或过大力气。使用手指插入和取出该卡。
- 数据丢失和录制内容损坏的风险。产品正在运行时，请勿取出 SD 卡。在取出 SD 卡之前，请先从产品的网页上卸载 SD 卡。

本产品支持 microSD/microSDHC/microSDXC 卡。

有关 SD 卡的建议，请参见 axis.com。

按钮

控制按钮

控制按钮用于：

- 将产品重置为出厂默认设置。请参见。

接口

网络连接器

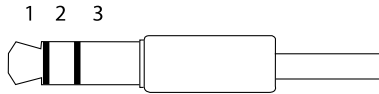
采用以太网供电 (PoE) 的 RJ45 以太网连接器。

音频连接器

安讯士产品具有以下音频连接器：

- **音频输入** – 3.5 毫米输入，用于单声道麦克风或线路输入单声道信号（左声道用于立体声信号）。
- **音频输出** – 用于音频（线路级）的 3.5 毫米输出，可连接到公共地址 (PA) 系统或带有内置放大器的有源扬声器。立体声连接器必须用于音频输出。

3.5 毫米音频连接器
(立体声)



	1 尖部	2 中间环	3 尾段
音频输入	麦克风/线路输入		接地
音频输出	线路输出（单声道）		接地

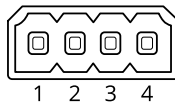
I/O 连接器

使用 I/O 连接器连接外部设备，并结合应用移动侦测、事件触发和报警通知等功能。除 0 V DC 参考点和电源（DC 输出）外，I/O 连接器还提供连接至以下模块的接口：

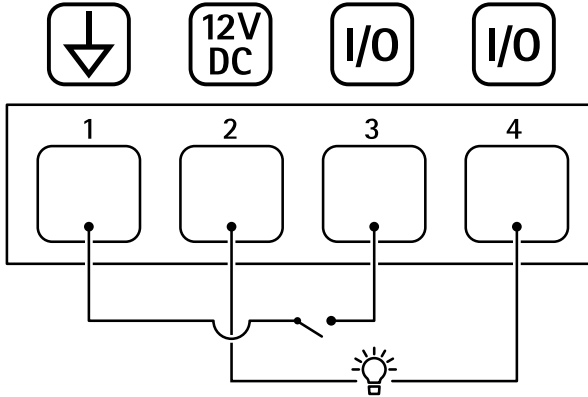
数字输入 – 用于连接可在开路和闭路之间切换的设备，例如 PIR 传感器、门/窗触点和玻璃破碎侦测器。

数字输出 – 用于连接继电器和 LED 等外部设备。已连接的设备可通过 VAPIX® 应用程序编程接口、通过事件或从产品网页进行激活。

4 针接线端子



示例



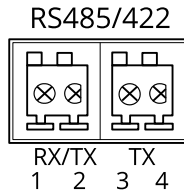
- 1 DC 接地
- 2 DC 输出 12 V, 最大 50mA
- 3 I/O 配置为输入
- 4 I/O 配置为输出

RS485/RS422 连接器

两个用于 RS485/RS422 串行接口的 2 针接线端子，用于控制辅助设备（如水平转动-垂直转动设备）。

串行端口可配置为支持：

- 两线 RS485 半双工
- 四线 RS485 全双工
- 两线 RS422 单工
- 四线 RS422 全双工点对点通信



AXIS P1368-E Network Camera

功能	针	备注
RS485B alt RS485/422 RX(B)	1	适用于各种不同模式的 RX 对 (适用于双线 RS485 的组合 RX/TX)
RS485A alt RS485/422 RX(A)	2	
RS485/RS422 TX(B)	3	用于 RS422 和 4 线 RS485 的 TX 线对
RS485/RS422 TX(A)	4	

重要

最大电缆长度为 30 米 (98 英尺) 。

工作条件

产品	温度	湿度
AXIS P1368-E	-40° C 到 55° C (-40° F 到 131° F)	10-100% RH (冷凝)

功耗

注意

使用额定输出功率限制为 $\leq 100W$ 或额定输出电流限制为 $\leq 5A$ 的限制电源 (LPS)。

产品	以太网供电 (PoE) IEEE 802.3af/802.3at 1 型 3 类
AXIS P1368-E	最大 9.5 W 标准 6.4 W

安全信息

危险等级

▲危险

表示如果不避免则会导致死亡或严重伤害的危险情况。

▲警告

表示如果不避免则可能导致死亡或严重伤害的危险情况。

▲小心

表示如果不避免则可能导致轻微或中度伤害的危险情况。

注意

表示如果不避免则可能导致财产损失的情况。

其他消息等级

重要

表示产品正常工作所必需的重要信息。

备注

表示有助于充分利用产品的有用信息。

安全说明

注意

- 使用 Axis 产品时应遵守当地法律和法规。
- Axis 建议使用类别 CAT5e 或更高级别的网线。
- 在干燥通风的环境中存放 Axis 产品。
- 避免将 Axis 产品暴露在冲击或高压环境下。
- 请勿将产品安装在不稳固的立杆、支架、表面或墙壁上。
- 安装 Axis 产品时，仅使用适用的工具。使用电动工具过度施力可能导致产品损坏。
- 请勿使用化学品、腐蚀剂或气雾剂。
- 使用蘸纯净水的干净布进行清洁。
- 仅使用符合产品技术规格的附件。这些附件可由 Axis 或第三方提供。Axis 推荐使用与产品兼容的 Axis 电源设备。
- 仅使用 Axis 提供或推荐的备件。
- 请勿尝试自行维修产品。有关服务事项，请联系 Axis 支持部门或 Axis 经销商。

运输

注意

- 安讯士产品运输途中，应使用其原包装或等效包装，以防对产品造成损坏。

电池

安讯士产品使用 3.0 V CR2032 锂电池作为其内部实时时钟 (RTC) 的电源。在正常情况下，此电池将持续至少五年。

小心

请勿自行更换电池。如果日志消息要求更换电池，请联系安讯士支持部门。

3.0 V 纽扣锂电池内含 1,2-二甲氧基乙烷；乙二醇二甲醚 (EGDME)，CAS 编号为 110-71-4。

