

Accessory Specifications

VB-R11

VB-M641VE / V

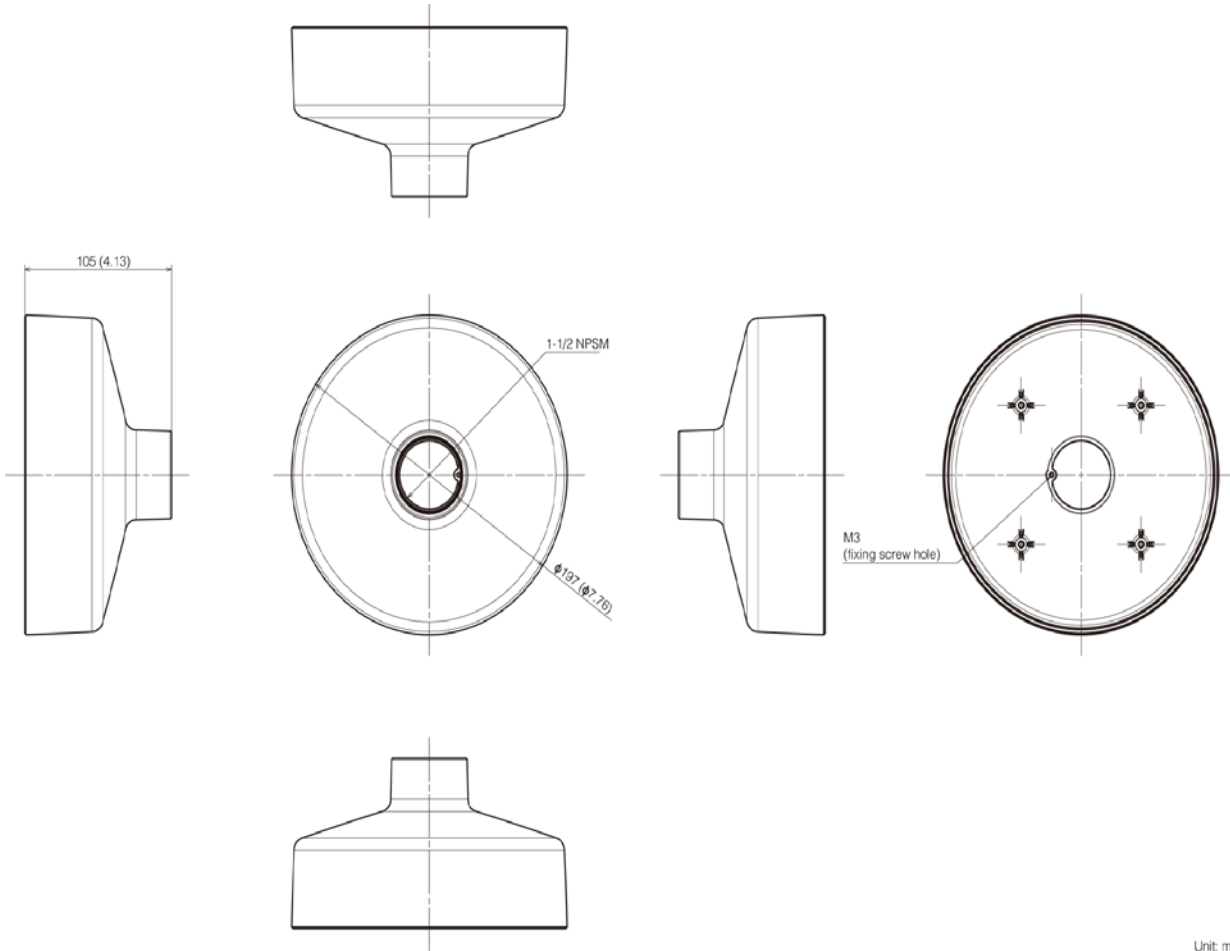
VB-M640VE / V

VB-M741LE/M740E

Pendant Mounting Kit

(PC640-VB)

The exterior size, specifications, external materials, are as follows.



Unit: mm (in.)

Specification

Dimensions	(ϕ x H) $\phi 197 \times 105$ mm ($\phi 7.76 \times 4.13$ in.)	
Weight	Approx. 750 g (1.66 lb.)	
Operating Environment	Temperature	Same as camera
	Humidity	Same as camera
Storage Environment	Temperature	Same as camera
	Humidity	Same as camera

Exterior Materials

Component Name	Material Abbreviation
(1) PENDANT KIT	Die cast aluminum (ADC12)
External Color	Titanium White (paint color)