

AXIS T85 PoE+ Network Switch Series

AXIS T8508 PoE+ Network Switch

AXIS T8524 PoE+ Network Switch

Installation Guide

English

EN

Français

FR

Deutsch

DE

Italiano

IT

Español

ES

日本語

JA

中文: 简体中文

ZH

Legal considerations

Video and audio surveillance can be regulated by laws that vary from country to country. Check the laws in your local region before using this product for surveillance purposes.

Liability

Every care has been taken in the preparation of this document. Please inform your local Axis office of any inaccuracies or omissions. Axis Communications AB cannot be held responsible for any technical or typographical errors and reserves the right to make changes to the product and manuals without prior notice. Axis Communications AB makes no warranty of any kind with regard to the material contained within this document, including, but not limited to, the implied warranties of merchantability and fitness for a particular purpose. Axis Communications AB shall not be liable nor responsible for incidental or consequential damages in connection with the furnishing, performance or use of this material. This product is only to be used for its intended purpose.

Intellectual property rights

Axis AB has intellectual property rights relating to technology embodied in the product described in this document. In particular, and without limitation, these intellectual property rights may include one or more of the patents listed at axis.com/patent and one or more additional patents or pending patent applications in the US and other countries.

Equipment modifications

This equipment must be installed and used in strict accordance with the instructions given in the user documentation. This equipment contains no user-serviceable components. Unauthorized equipment changes or modifications will invalidate all applicable regulatory certifications and approvals.

Trademark acknowledgements

AXIS COMMUNICATIONS, AXIS, ARTPEC and VAPIX are registered trademarks of Axis AB in various jurisdictions. All other trademarks are the property of their respective owners.

Regulatory information

Europe



This product complies with the applicable CE marking directives and harmonized standards:

- Restriction of Hazardous Substances (RoHS) Directive 2011/65/EU and 2015/863, including any amendments, updates or replacements. See *Disposal and recycling on page 4*.

A copy of the original declaration of conformity may be obtained from Axis Communications AB. See *Contact information on page 5*.

Electromagnetic compatibility (EMC)

This equipment has been designed and tested to fulfill applicable standards for:

- Radio frequency emission when installed according to the instructions and used in its intended environment.

- Immunity to electrical and electromagnetic phenomena when installed according to the instructions and used in its intended environment.

USA

This device complies with part 15 of the FCC Rules. Operation is subject to the following two conditions:

1. This device may not cause harmful interference, and
2. this device must accept any interference received, including interference that may cause undesired operation.

This equipment has been tested and found to comply with the limits for a Class A digital device, pursuant to part 15 of the FCC Rules. These limits are designed to provide reasonable protection against harmful interference when the equipment is operated in a commercial environment. This equipment generates, uses, and can radiate radio frequency energy and, if not installed and used in accordance with the instruction manual, may cause harmful interference to radio communications. Operation of this equipment in a residential area is likely to cause harmful interference in which case the user will be required to correct the interference at his own expense. The product shall be properly grounded.

Contact information

Axis Communications Inc.
300 Apollo Drive
Chelmsford, MA 01824
United States of America
Tel: +1 978 614 2000

Canada

This digital apparatus complies with CAN ICES-3 (Class A). The product shall be properly grounded. Cet appareil numérique est conforme à la norme CAN NMB-3 (classe A). Le produit doit être correctement mis à la terre.

Europe

This digital equipment fulfills the requirements for RF emission according to the Class A limit of EN 55032. The product shall be properly grounded. Notice! This is a Class A product. In a domestic environment this product may cause RF interference, in which case the user may be required to take adequate measures.

Australia/New Zealand

This digital equipment fulfills the requirements for RF emission according to the Class A limit of AS/NZS CISPR 22. The product shall be properly grounded. Notice! This is a Class A product. In a domestic environment this product may cause RF interference, in which case the user may be required to take adequate measures.

Japan

この装置は、クラスA機器です。この装置を住宅環境で使用すると電波妨害を引き起こすことがあります。この場合には使用者が適切な対策を講ずるよう要求されることがあります。VCCI-A

Safety

This product complies with IEC/EN/UL 60950-1, Safety of Information Technology Equipment.

Disposal and recycling

When this product has reached the end of its useful life, dispose of it according to local laws and regulations. For information about your nearest

designated collection point, contact your local authority responsible for waste disposal. In accordance with local legislation, penalties may be applicable for incorrect disposal of this waste.

Europe



■ This symbol means that the product shall not be disposed of together with household or commercial waste. Directive 2012/19/EU on waste electrical and electronic equipment (WEEE) is applicable in the European Union member states. To prevent potential harm to human health and the environment, the product must be disposed of in an approved and environmentally safe recycling process. For information about your nearest designated collection point, contact your local authority responsible for waste disposal. Businesses should contact the product supplier for information about how to dispose of this product correctly.

This product complies with the requirements of Directive 2011/65/EU and 2015/863 on the restriction of the use of certain hazardous substances in electrical and electronic equipment (RoHS).

China



This product complies with the requirements of SJ/T 11364-2014, Marking for the restriction of hazardous substances in electrical and electronic products.

這是甲類的產品，在居住的環境中使用時，可能會造成射頻干擾，在這種情況下，使用者會被要求採取某些適當的對策。

Contact information

Axis Communications AB
Gränden 1
223 69 Lund
Sweden

Tel: +46 46 272 18 00

Fax: +46 46 13 61 30

axis.com

Support

Should you require any technical assistance, please contact your Axis reseller. If your questions cannot be answered immediately, your reseller will forward your queries through the appropriate channels to ensure a rapid response. If you are connected to the Internet, you can:

- find answers to resolved problems in the FAQ database, search by product, category, or phrase
- report problems to Axis support staff by logging in to your private support area
- chat with Axis support staff
- visit Axis Support at axis.com/support

Learn more!

Visit Axis learning center axis.com/learning for useful trainings, webinars, tutorials and guides.

有毒有害物质或元素						
部件名称	铅 (Pb)	汞 (Hg)	镉 (Cd)	六价铬 (Cr-VI)	多溴联苯 (PB-B)	多溴二苯醚 (PB-DE)
电气安装部分	X	0	0	0	0	0
<p>0: 表示该有毒有害物质在该部件均质材料中的含量均在GB/T 26572标准规定的限量要求以下。</p> <p>X: 表示该有毒有害物质至少在该部件的某一均质材料中的含量超出GB/T 26572标准规定的限量要求。</p>						

Taiwan

BSMI RoHS declaration, go to axis.com > product > Support & Documentation

警告使用者:

Safety information

Hazard levels

▲ DANGER

Indicates a hazardous situation which, if not avoided, will result in death or serious injury.

▲ WARNING

Indicates a hazardous situation which, if not avoided, could result in death or serious injury.

▲ CAUTION

Indicates a hazardous situation which, if not avoided, could result in minor or moderate injury.

NOTICE

Indicates a situation which, if not avoided, could result in damage to property.

Other message levels

Important

Indicates significant information which is essential for the product to function correctly.

Note

Indicates useful information which helps in getting the most out of the product.

AXIS T85 PoE+ Network Switch Series

Safety instructions

NOTICE

- The Axis product shall be used in compliance with local laws and regulations.
- Use only applicable tools when installing the Axis product. Using excessive force with power tools could cause damage to the product.
- Do not use chemicals, caustic agents, or aerosol cleaners.
- Use a clean cloth dampened with pure water for cleaning.
- Use only accessories that comply with the technical specification of your product. These can be provided by Axis or a third party. Axis recommends using Axis power source equipment compatible with your product.
- Use only spare parts provided by or recommended by Axis.
- Do not attempt to repair the product yourself. Contact Axis support or your Axis reseller for service matters.

The SFP port should use UL listed optional transceiver product, rated 3.3 V DC, Laser Class 1.

AXIS T8508 is not equipped with a fan for cooling and requires a constant airflow during operation.

Transportation

NOTICE

- When transporting the Axis product, use the original packaging or equivalent to prevent damage to the product.

Package contents

AXIS T8508 PoE+ Network Switch

- AXIS T8508 PoE+ Network Switch
- Power cable
- Rubber feet (4x)
- Printed materials
 - Installation guide (this document)
 - Drill template

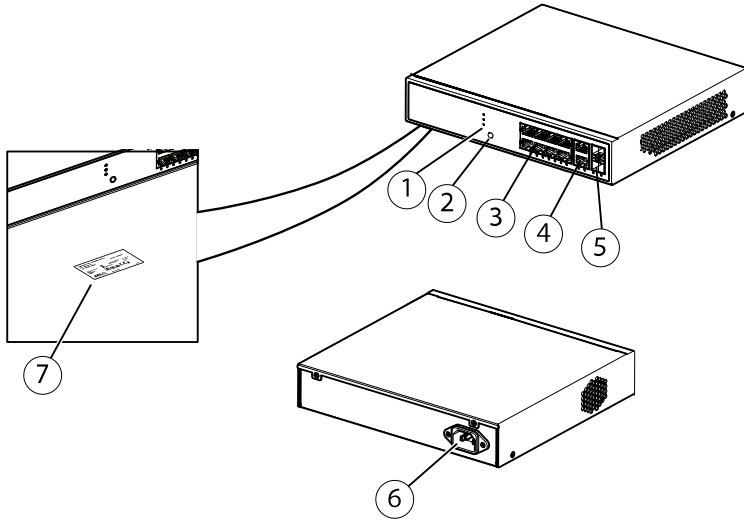
AXIS T8524 PoE+ Network Switch

- AXIS T8524 PoE+ Network Switch
- Power cable
- Rubber feet (4x)
- Rack mounting kit
- Printed materials
 - Installation guide (this document)

AXIS T85 PoE+ Network Switch Series

Product overview

AXIS T8508 PoE+ Network Switch

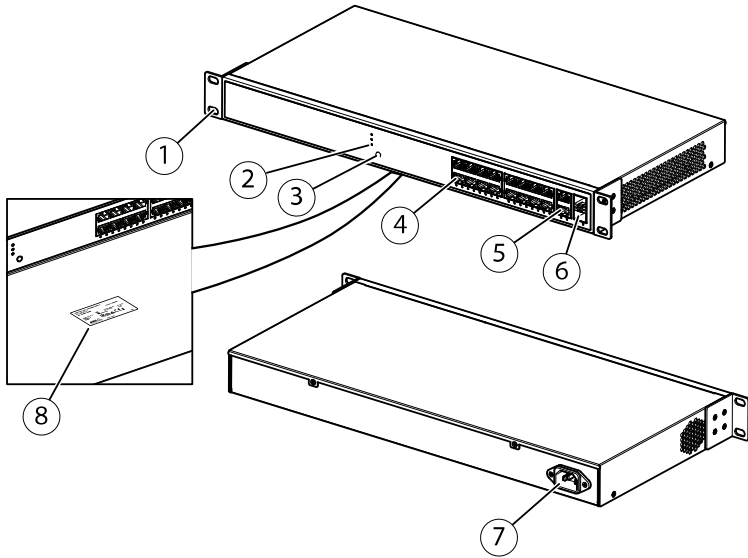


- 1 LEDs (front panel)
- 2 Mode/reset button
- 3 RJ45 ports (PoE+) x8
- 4 RJ45 ports (non-PoE) x2
- 5 SFP slots x2
- 6 Power connector
- 7 Product label

AXIS T8524 PoE+ Network Switch

AXIS T85 PoE+ Network Switch Series

EN



- 1 Bracket
- 2 LEDs (front panel)
- 3 Mode/reset button
- 4 RJ45 ports (PoE+) x24
- 5 RJ45 ports (non-PoE) x2
- 6 SFP slots x2
- 7 Power connector
- 8 Product label

How to install the product

Mount the product in a rack - AXIS T8508

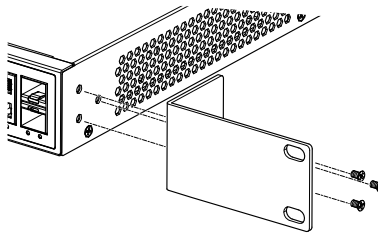
Below section describes how to mount AXIS T8508 in a rack.

NOTICE

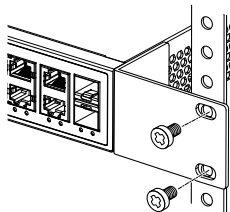
The switch is not equipped with a fan for cooling, do not cover the switch or block the airflow.

Note

The mounting brackets used for rack mounting of AXIS T8508 are sold separately.



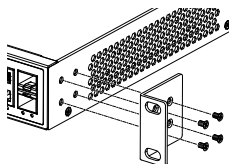
1. Attach the mounting brackets to both sides of the chassis. Insert screws (3x) and tighten them with a screwdriver to secure the brackets.
2. Place the product on a rack shelf in the rack. Push it in until the oval holes in the brackets align with the mounting holes in the rack posts.



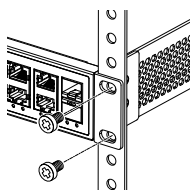
3. Attach the brackets to the posts. Insert screws (2x) and tighten them.

Mount the product in a rack – AXIS T8524

Below section describes how to mount AXIS T8524 in a rack.



1. Attach the mounting brackets to both sides of the chassis. Insert screws (4x) and tighten them with a screwdriver to secure the brackets.
2. Place the product on a rack shelf in the rack. Push it in until the oval holes in the brackets align with the mounting holes in the rack posts.



3. Attach the brackets to the posts. Insert screws (2x) and tighten them.

Place the product on a desk or shelf

NOTICE

Below warning is applicable for AXIS T8508

The switch is not equipped with a fan for cooling, do not cover the switch or block the airflow.

1. Verify that the workbench is sturdy and reliably grounded.
2. Attach the four adhesive rubber feet to the bottom of the product, one in each corner.

Mount the product on a wall – AXIS T8508

Below section describes how to mount AXIS T8508 on a wall.

NOTICE

The switch is not equipped with a fan for cooling, do not cover the switch or block the airflow.

AXIS T85 PoE+ Network Switch Series

1. Use the drill template and mark the mounting holes.
2. Drill the mounting holes
3. Attach the switch to the wall using screws appropriate to the wall material.

Installation steps

1. Connect a standard network cable to one of the RJ45 ports (non-PoE) on the product.
2. Connect the other end of the cable to a computer.
3. Connect the power cord to the product.
4. Connect the other end of the power cord to a standard AC outlet. The System LED lights up and confirms that the device is powered up successfully.
5. Use AXIS IP Utility or AXIS Camera Management to find the product on the network.
6. Use the user name and password on the product label to enter the product.
7. Follow the instructions on the screen.

Important

Only use the supplied power cord to power the product.

Note

For security purposes, it is recommended that the default password is changed.

Install SFP Modules

It is possible to install or remove a mini-GBIC SFP module from a SFP slot without having to power off the product. The SFP slots are shared with the RJ45 ports (non-PoE).

Important

If a mini-GBIC is installed in, the associated RJ45 port (non-PoE) is disabled and cannot be used. Make sure the network cable is not connected to a RJ45 port (non-PoE) when you install or remove a mini-GBIC.

1. Insert the module into the SFP slot.
2. Press firmly to ensure that the module seats into the connector.

Power notice

The product is a power-required device, which means it does not work until it is powered. To avoid network data loss or network downtime, consider using an UPS (Uninterrupted Power Supply).

Installing a surge suppression device may also help to protect the product from being damaged by unregulated surge or current to the product or the power cord.

How to use the Mode/Reset button

By pressing the Mode/Reset button for a certain period of time, users can perform the following tasks.

- Change between port status mode Link/Act/Speed and PoE.
- Reset the product to the previous configuration settings saved.
- Restore the product to the original factory default settings.

Task to be performed	Time period of pressing Mode/Reset button	LED	Port status LED behavior
Change port status mode between Link/Act/Speed and PoE	0-2 seconds	Green (lit)	LED status changes according to the selected mode.
Reset the product	2-7 seconds	Green (blink)	The lights are OFF for all LEDs
Restore to the original factory default settings	7-12 seconds	Green (blink)	The lights are ON for all LEDs

AXIS T85 PoE+ Network Switch Series

Specifications

LED indicators

System LED

LED	Color	Indication
System	Green (lit)	The switch is powered ON.
	N/A	The switch is not receiving power.
	Red (lit)	An abnormal state, such as exceeding operating temperature range, has been detected in the switch.

Mode LED

LED	Color	Indication
Link/Act/Speed	Green (lit)	The RJ45/SFP Port Status LEDs are displaying link status and network activity of each port, with connection speed of 1000Mbps.
	Amber (lit)	The RJ45/SFP Port Status LEDs are displaying link status and network activity of each port, with connection speed of 10/100Mbps.
PoE	Green (lit)	The RJ45 Port Status LEDs are displaying PoE powering status of each port.

By pressing the **Mode/Reset** button in less than 2 seconds to change LED modes (Link/Act/Speed Mode or PoE Mode), users can check the port status by reading the LED behaviors in the tables below.

Link/Act/Speed Mode LED

AXIS T85 PoE+ Network Switch Series

EN

LED	Color	Indication
RJ45 ports	Green (lit)	The port is enabled and established a link to connected device, and the connection speed is 1000Mbps.
	Green (blink)	The port is transmitting/receiving packets, and the connection speed is 1000Mbps.
	Amber (lit)	The port is enabled and established a link to connected device, and the connection speed is 10/100Mbps.
	Amber (blink)	The port is transmitting/receiving packets, and the connection speed is 10/100Mbps.
	N/A	The port has no active network cable connected, or it is not established a link to connected device. Otherwise, the port may have been disabled through the product user interface.
SFP ports	Green (lit)	The port is enabled and established a link to connected device, and the connection speed is 1000Mbps.
	Green (blink)	The port is transmitting/receiving packets, and the connection speed is 1000Mbps.
	Amber (lit)	The port is enabled and established a link to connected device, and the connection speed is 100Mbps.
	Amber (blink)	The port is transmitting/receiving packets, and the connection speed is 100Mbps.

AXIS T85 PoE+ Network Switch Series

	N/A	The port has no active network cable connected, or it is not established a link to connected device. Otherwise, the port may have been disabled through the product user interface.
--	-----	---

PoE Mode LED

LED	Color	Indication
RJ45 ports	Green (lit)	The port is enabled and supplying power to connected device.
	Amber (lit)	An abnormal state, such as overload status, has been detected in the product.
	N/A	The port has no active network cable connected, or it is not connected a PoE PD device. Otherwise, the port may have been disabled through the product user interface.

Informations sur la sécurité

Niveaux de risques

▲DANGER

Indique une situation dangereuse qui, si elle n'est pas évitée, entraînera le décès ou des blessures graves.

▲AVERTISSEMENT

Indique une situation dangereuse qui, si elle n'est pas évitée, pourrait entraîner le décès ou des blessures graves.

▲ATTENTION

Indique une situation dangereuse qui, si elle n'est pas évitée, pourrait entraîner des blessures légères ou modérées.

AVIS

Indique une situation qui, si elle n'est pas évitée, pourrait endommager l'appareil.

Autres niveaux de message

Important

Indique les informations importantes, nécessaires pour assurer le bon fonctionnement de l'appareil.

Remarque

Indique les informations utiles qui permettront d'obtenir le fonctionnement optimal de l'appareil.

Consignes de sécurité

AVIS

- Le produit Axis doit être utilisé conformément aux lois et règlements locaux.
- Utiliser uniquement des outils recommandés pour l'installation de l'appareil Axis. L'application d'une force excessive sur l'appareil avec des outils puissants pourrait l'endommager.
- Ne pas utiliser de produits chimiques, de substances caustiques ou de nettoyeurs pressurisés.
- Utiliser un chiffon propre imbibé d'eau pure pour le nettoyage.
- Utiliser uniquement des accessoires conformes aux caractéristiques techniques de votre produit. Ils peuvent être fournis par Axis ou un tiers. Axis recommande d'utiliser un équipement d'alimentation Axis compatible avec votre produit.
- Utiliser uniquement les pièces de rechange fournies ou recommandées par Axis.
- Ne pas essayer de réparer vous-même ce produit. Contacter l'assistance technique d'Axis ou votre revendeur Axis pour des problèmes liés à l'entretien.

Le port SFP doit utiliser un émetteur-récepteur répertorié par UL, un laser de catégorie 1 avec une tension nominale de 3,3 V CC.

L'AXIS T8508 n'est pas équipé d'un ventilateur et, par conséquent, nécessite un flux d'air constant pendant le fonctionnement.

Transport

AVIS

- Lors du transport du produit Axis, utilisez l'emballage d'origine ou un équivalent pour éviter d'endommager le produit.

Contenu de l'emballage

Commutateur réseau AXIS T8508 PoE+

- Commutateur réseau AXIS T8508 PoE+
- Câble d'alimentation
- Pied en caoutchouc (x 4)
- Documents imprimés
 - Guide d'installation (ce document)
 - Gabarit de perçage

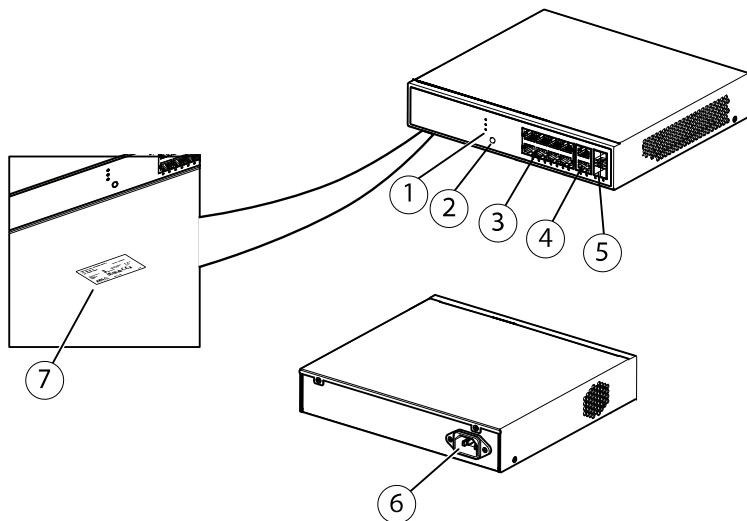
Commutateur réseau AXIS T8524 PoE+

- Commutateur réseau AXIS T8524 PoE+
- Câble d'alimentation
- Pied en caoutchouc (x 4)
- Kit de montage en rack
- Documents imprimés
 - Guide d'installation (ce document)

AXIS T85 PoE+ Network Switch Series

Product overview

AXIS T8508 PoE+ Network Switch

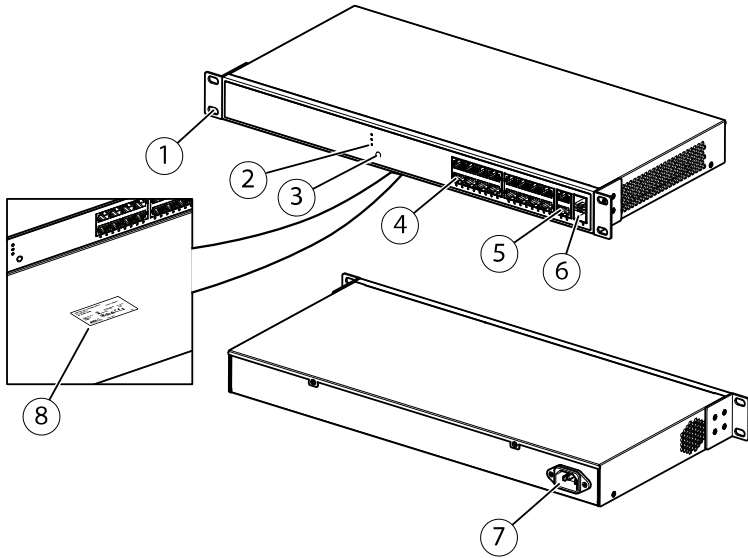


- 1 Support
- 2 LED (face avant)
- 3 Bouton Mode/Réinitialiser
- 4 Ports RJ45 (PoE+) x24
- 5 Ports RJ45 (non PoE+) x2
- 6 Emplacements SFP x2
- 7 Connecteur d'alimentation
- 8 Étiquette produit

AXIS T8524 PoE+ Network Switch

AXIS T85 PoE+ Network Switch Series

FR



- 1 Support
- 2 LED (face avant)
- 3 Bouton Mode/Réinitialiser
- 4 Ports RJ45 (PoE+) x24
- 5 Ports RJ45 (non PoE+) x2
- 6 Emplacements SFP x2
- 7 Connecteur d'alimentation
- 8 Étiquette produit

Comment installer le produit

Montage du produit dans un rack – AXIS T8508

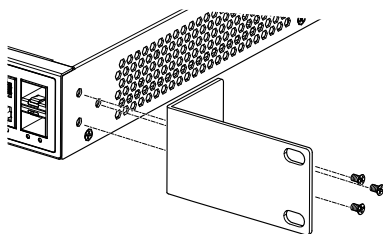
La section suivante décrit comment monter l'AXIS T8508 dans un rack.

AVIS

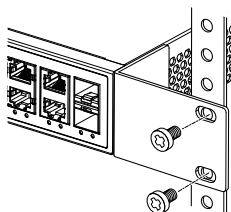
Le commutateur n'est pas équipé d'un ventilateur de refroidissement, ne recouvrez pas le commutateur et ne bloquez pas son système d'aération.

Remarque

Les supports de fixation utilisés pour le montage en rack de l'AXIS T8508 sont vendus séparément.



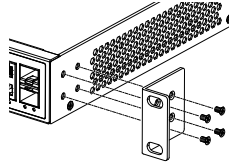
1. Fixez les supports de fixation des deux côtés du châssis. Insérez les vis (3x), puis serrez-les à l'aide d'un tournevis pour fixer les supports.
2. Placez le produit sur une tablette dans le rack. Poussez-le jusqu'à ce que les perforations ovales dans les supports soient alignées sur les trous de fixation des montants du rack.



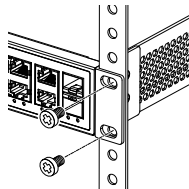
3. Fixez les supports aux montants. Insérez les vis (2x) et serrez-les.

Montage du produit dans un rack – AXIS T8524

La section suivante décrit comment monter l'AXIS T8524 dans un rack.



1. Fixez les supports de fixation des deux côtés du châssis. Insérez les vis (4x), puis serrez-les à l'aide d'un tournevis pour fixer les supports.
2. Placez le produit sur une tablette dans le rack. Poussez-le jusqu'à ce que les perforations ovales dans les supports soient alignées sur les trous de fixation des montants du rack.



3. Fixez les supports aux montants. Insérez les vis (2x) et serrez-les.

Placement du produit sur un bureau ou une étagère

AVIS

L'avertissement ci-dessous s'applique à l'AXIS T8508

Le commutateur n'est pas équipé d'un ventilateur de refroidissement, ne recouvrez pas le commutateur et ne bloquez pas son système d'aération.

1. Vérifiez que l'établi est solide et bien mis à la terre.
2. Fixez les quatre pieds en caoutchouc adhésifs sur la partie inférieure du produit, un à chaque coin.

Montage du produit sur un mur – AXIS T8508

La section suivante décrit comment monter l'AXIS T8508 sur un mur.

AVIS

Le commutateur n'est pas équipé d'un ventilateur de refroidissement, ne recouvrez pas le commutateur et ne bloquez pas son système d'aération.

1. Utilisez le gabarit de perçage et marquez les trous de montage.
2. Percez les trous de fixation
3. Fixez le commutateur au mur en utilisant des vis appropriées.

Procédures d'installation

1. Branchez un câble réseau standard à l'un des ports RJ45 (non PoE) sur le produit.
2. Connectez l'autre extrémité du câble à un ordinateur.
3. Branchez le cordon d'alimentation sur le produit.
4. Connectez l'autre extrémité du cordon d'alimentation à une prise secteur standard. Le voyant DEL du système s'allume et confirme que le périphérique est bien alimenté.
5. Utilisez AXIS IP Utility ou AXIS Camera Management pour trouver le produit sur le réseau.
6. Utilisez le nom d'utilisateur et le mot de passe figurant sur l'étiquette pour vous connecter au produit.
7. Suivez les instructions à l'écran.

Important

Utilisez uniquement le cordon d'alimentation fourni pour alimenter le produit.

Remarque

Pour des raisons de sécurité, il est vivement conseillé de modifier le mot de passe par défaut.

Installation des modules SFP

Il est possible d'installer ou de retirer un module SFP mini-GBIC depuis un emplacement SFP sans avoir à mettre le produit hors tension. Les emplacements SFP sont partagés avec les ports RJ45 (non PoE).

Important

Si un mini-GBIC est installé, le port RJ45 associé (non PoE) est désactivé et ne peut pas être utilisé. Vérifiez que le câble réseau n'est pas raccordé au port RJ45 (non PoE) lorsque vous installez ou retirez un mini-GBIC.

1. Insérez le module dans l'emplacement SFP.
2. Appuyez fermement pour vous assurer que le module est bien inséré dans le connecteur.

Remarque à propos de l'alimentation

Le produit est un appareil à énergie requise, ce qui signifie qu'il ne fonctionne que s'il est alimenté. Pour éviter les pertes de données réseau ou l'arrêt du réseau, pensez à utiliser un système d'alimentation sans coupure (UPS).

L'installation d'un dispositif de protection contre les surtensions peut également protéger le produit ou le cordon d'alimentation contre une surtension ou un courant non régulés.

Comment utiliser la touche Mode/Reset

En appuyant sur la touche **Mode/Reset** pendant un certain temps, les utilisateurs peuvent exécuter les tâches suivantes :

- Passer du mode d'état du port Link/Act/Speed à PoE.
- Réinitialiser le produit aux paramètres de la configuration antérieure enregistrée.
- Restaurer le produit aux paramètres des valeurs par défaut d'origine.

Tâche à réaliser	Durée de pression sur la touche Mode/Reset	Voyant DEL	Comportement du voyant DEL sur l'état du port
Passer du mode d'état du port Link/Act/Speed à PoE.	0-2 secondes	Vert (allumé)	L'état du voyant DEL change en fonction du mode sélectionné.
Réinitialiser le produit	2-7 secondes	Vert (clignotant)	Tous les voyants DEL sont éteints
Restaurer aux paramètres des valeurs par défaut d'origine	7-12 secondes	Vert (clignotant)	Tous les voyants DEL sont allumés

Specifications

Indicateurs LED

LED système

LED	Couleur	Indication
Système	Vert (allumé)	Le commutateur est sous tension.
	Sans objet	Le commutateur n'est pas alimenté.
	Rouge (allumé)	Un état anormal, par exemple une température de fonctionnement excessive, a été détecté sur le commutateur.

Voyant DEL mode

Voyant DEL	Couleur	Indication
Link/Act/Speed	Vert (allumé)	Les voyants DEL d'état des ports RJ45/SFP affiche l'état de la liaison et l'activité réseau de chaque port, avec une vitesse de connexion de 1000 Mbits/s.
	Orange (allumé)	Les voyants DEL d'état des ports RJ45/SFP affiche l'état de la liaison et l'activité réseau de chaque port, avec une vitesse de connexion de 10/100 Mbits/s.
PoE	Vert (allumé)	Les voyants DEL d'état du port RJ45 affichent l'état d'alimentation PoE de chaque port.

AXIS T85 PoE+ Network Switch Series

En appuyant sur la touche **Mode/Reset** dans un délai inférieur à 2 secondes pour modifier les modes LED (Mode Link/Act/Speed ou Mode PoE), les utilisateurs peuvent vérifier l'état du port en relevant la signification des voyants DEL dans les tableaux ci-dessous.

Voyant DEL Mode Link/Act/Speed

Voyant DEL	Couleur	Indication
Ports RJ45	Vert (allumé)	Ce port est activé et une liaison est établie pour se connecter au périphérique, et la vitesse de connexion est de 1 000 Mbits/s.
	Vert (clignotant)	Le port transmet/reçoit des paquets de données, et la vitesse de connexion est de 1 000 Mbits/s.
	Orange (allumé)	Ce port est activé et une liaison est établie pour se connecter au périphérique, et la vitesse de connexion est de 10/100 Mbits/s.
	Orange (clignotant)	Le port transmet/reçoit des paquets de données, et la vitesse de connexion est de 10/100 Mbits/s.
	Sans objet	Le port n'a pas de câble réseau actif connecté ou une liaison n'est pas établie pour se connecter au périphérique. Sinon, le port a pu être désactivé via l'interface utilisateur du produit.

FR

AXIS T85 PoE+ Network Switch Series

Ports SFP	Vert (allumé)	Ce port est activé et une liaison est établie pour se connecter au périphérique, et la vitesse de connexion est de 1 000 Mbits/s.
	Vert (clignotant)	Le port transmet/reçoit des paquets de données, et la vitesse de connexion est de 1 000 Mbits/s.
	Orange (allumé)	Ce port est activé et une liaison est établie pour se connecter au périphérique, et la vitesse de connexion est de 100 Mbits/s.
	Orange (clignotant)	Le port transmet/reçoit des paquets de données et la vitesse de connexion est de 100 Mbits/s.
	Sans objet	Le port n'a pas de câble réseau actif connecté ou une liaison n'est pas établie pour se connecter au périphérique. Sinon, le port a pu être désactivé via l'interface utilisateur du produit.

Voyant DEL Mode PoE

Voyant DEL	Couleur	Indication
Ports RJ45	Vert (allumé)	Les port est activé est alimente le périphérique connecté.
	Orange (allumé)	Un état anormal, par exemple une surcharge, a été détecté sur le produit.
	Sans objet	Le port n'a pas de câble réseau actif connecté ou il n'est pas connecté au périphérique PoE PD. Sinon, le port a pu être désactivé via l'interface utilisateur du produit.

Sicherheitsinformationen

Gefährdungsstufen

▲GEFAHR

Weist auf eine gefährliche Situation hin, welche, falls nicht verhindert, zu Tod oder schweren Verletzungen führen kann.

▲WARNUNG

Weist auf eine gefährliche Situation hin, welche, falls nicht verhindert, zu Tod oder schweren Verletzungen führen kann.

▲VORSICHT

Weist auf eine gefährliche Situation hin, welche, falls nicht verhindert, zu geringfügiger oder mäßiger Verletzung führen kann.

HINWEIS

Weist auf eine gefährliche Situation hin, welche, falls nicht verhindert, zu Sachschäden führen kann.

DE

Andere Meldeebenen

Wichtig

Weist auf wichtige Informationen hin, die den richtigen Betrieb des Produkts gewährleisten.

Hinweis

Weist auf nützliche Informationen hin, die die optimale Verwendung des Produkts unterstützen.

Sicherheitsanweisungen

HINWEIS

- Das Axis Produkt muss unter Beachtung der geltenden Gesetze und Bestimmungen betrieben werden.
- Verwenden Sie bei der Installation des Axis Produkts ausschließlich passende Werkzeuge. Ein zu großer Kraftaufwand mit elektrischen Werkzeugen kann das Produkt beschädigen.
- Verwenden Sie keine chemischen, ätzenden oder aerosolhaltigen Reinigungsmittel.
- Verwenden Sie zum Reinigen ein sauberes, mit destilliertem Wasser angefeuchtetes Tuch.
- Verwenden Sie nur Zubehör, das den technischen Vorgaben Ihres Produkts entspricht. Dieses ist von Axis oder Drittanbietern erhältlich. Axis empfiehlt die mit Ihrem Produkt kompatible Stromversorgung von Axis.
- Verwenden Sie ausschließlich Ersatzteile die von Axis angeboten oder empfohlen werden.
- Versuchen Sie nicht, dieses Produkt selbsttätig zu reparieren. Wenden Sie sich bezüglich Reparatur und Wartung an den Axis Support oder Ihren Axis Händler.

Für den SFP-Port ein optionales Empfangsgerät gemäß UL verwenden: 3,3 V Gleichstrom, Laserklasse 1

AXIS T8508 ist nicht mit einem Kühlerlüfter ausgestattet. Das Gerät muss durch permanente Luftströmung passiv belüftet werden.

Transport

HINWEIS

- Bei Bedarf transportieren Sie das Axis Produkt in der Originalverpackung oder einer entsprechenden Verpackung, so dass Schäden vermieden werden.

Lieferumfang

Network-Switch AXIS T8508 PoE+

- Network-Switch AXIS T8508 PoE+
- Stromkabel
- GummifüÙe (4 St.)
- Gedrucktes Material
 - Installationsanleitung (dieses Dokument)
 - Bohrschablone

DE

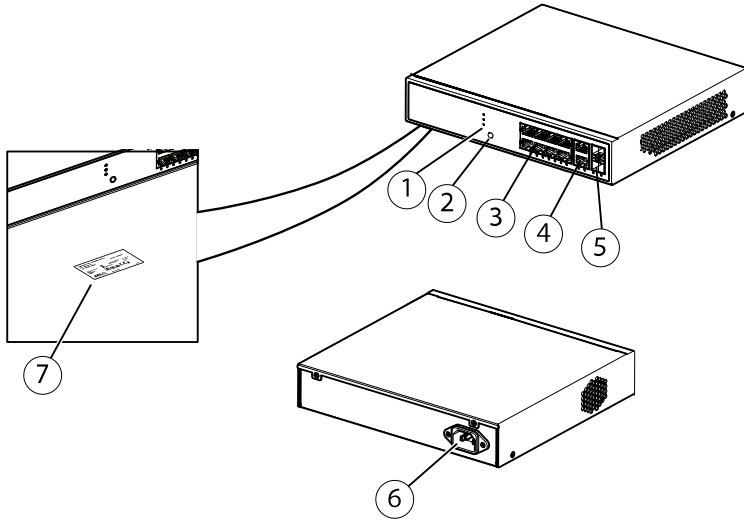
Network Switch AXIS T8524 PoE+

- Network Switch AXIS T8524 PoE+
- Stromkabel
- GummifüÙe (4 St.)
- Gestell-Montageset
- Gedrucktes Material
 - Installationsanleitung (dieses Dokument)

AXIS T85 PoE+ Network Switch Series

Produktübersicht

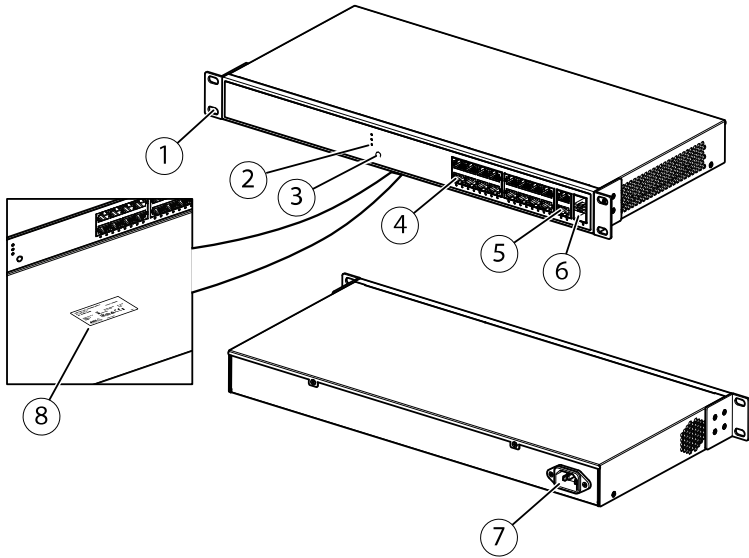
AXIS T8508 PoE+ Network Switch



- 1 LEDs (Vorderseite)
- 2 Modus/Reset-Taste
- 3 RJ45-Ports (PoE+) 8x
- 4 RJ45-Ports (nicht-PoE+) 2x
- 5 SFP-Einschübe 2x
- 6 Stromanschluss
- 7 Gerätekenzeichnung

AXIS T8524 PoE+ Network Switch

AXIS T85 PoE+ Network Switch Series



DE

- 1 Halterung
- 2 LEDs (Vorderseite)
- 3 Modus/Reset-Taste
- 4 RJ45-Ports (PoE+) 24 St.
- 5 RJ45-Ports (nicht-PoE+) 2x
- 6 SFP-Einschübe 2x
- 7 Stromanschluss
- 8 Gerätekenzeichnung

Installieren des Produkts

Das Produkt in einem Gestell montieren – AXIS T8508

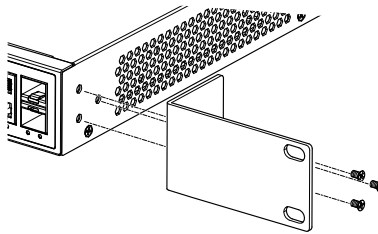
Der folgende Abschnitt beschreibt die Montage von AXIS T8508 in einem Gestell.

HINWEIS

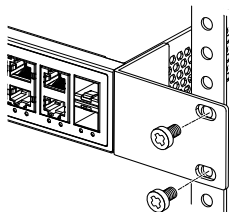
Der Switch ist nicht Lüfter oder Kühlung ausgestattet. Deshalb den Switch nicht abdecken oder die Belüftung blockieren.

Hinweis

Die Montagehalterungen für AXIS T8508 sind separat erhältlich.



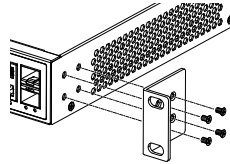
1. Die Montagehalterungen an beiden Seiten des Gehäuses anbringen. Die Schrauben (3 St.) einsetzen und mit einem Schraubendreher anziehen, um die Halterungen zu befestigen.
2. Das Produkt in ein Gestellfach einschieben. So weit einschieben, dass sich die ovalen Öffnungen in den Halterungen mit den Montagebohrungen in den Gestellträgern decken.



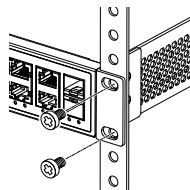
3. Die Halterungen an den Trägern anbringen. Die Schrauben (2 St.) einsetzen und anziehen.

Das Produkt in einem Gestell montieren – AXIS T8524

Der folgende Abschnitt beschreibt die Montage von AXIS T8524 in einem Gestell.



1. Die Montagehalterungen an beiden Seiten des Gehäuses anbringen. Die Schrauben (4 St.) einsetzen und mit einem Schraubendreher anziehen, um die Halterungen zu befestigen.
2. Das Produkt in ein Gestellfach einschieben. So weit einschieben, dass sich die ovalen Öffnungen in den Halterungen mit den Montagebohrungen in den Gestellträgern decken.



3. Die Halterungen an den Trägern anbringen. Die Schrauben (2 St.) einsetzen und anziehen.

Das Produkt auf einen Tisch oder in Regal stellen.

HINWEIS

Die folgenden Warnhinweise betreffen AXIS T8508

Der Switch ist nicht mit einem Lüfter oder Kühlung ausgestattet. Deshalb den Switch nicht abdecken oder die Belüftung blockieren.

1. Sicherstellen, dass der Arbeitstisch robust und standfest ist.
2. An jeder der Ecken der Unterseite des Produkts einen der vier selbsthaftenden GummifüÙe anbringen.

Das Produkt an der Wand montieren – AXIS T8508

Der folgende Abschnitt beschreibt die Montage von AXIS T8508 an der Wand.

HINWEIS

Der Switch ist nicht mit Lüfter oder Kühlung ausgestattet. Deshalb den Switch nicht abdecken oder die Belüftung blockieren.

1. Vor dem Bohren die Bohrlöcher mit der Schablone markieren.
2. Die Montagelöcher bohren.
3. Den Switch mit für das Wandmaterial geeigneten Schrauben an der Wand befestigen.

Installationschritte

1. Ein Standard-Netzwerkkabel an einen der RJ-45-Ports (nicht-PoE) anschließen.
2. Das andere Ende des Kabels an einen Computer anschließen.
3. Schließen Sie das Stromkabel an das Produkt an.
4. Schließen Sie das andere Ende des Stromkabels an eine Standard-Netzsteckdose an. Die System-LED leuchtet auf und gibt dadurch an, dass das Gerät erfolgreich eingeschaltet wurde.
5. Um das Produkt im Netzwerk zu finden, AXIS IP Utility oder AXIS Camera Management verwenden.
6. Den auf dem Produktaufkleber angegebenen Benutzernamen und das angegebene Kennwort verwenden, um das Produkt zu öffnen.
7. Die Anweisungen auf den Bildschirmseiten befolgen.

Wichtig

Nur das mitgelieferte Netzkabel verwenden, um das Produkt an die Stromversorgung anzuschließen.

Hinweis

Aus Sicherheitsgründen wird empfohlen, das Standardkennwort zu ändern.

SFP-Module installieren

Module des Typs Mini GBIC SFP können in den SFP-Einschub eingesetzt oder aus ihm entfernt werden, ohne das Produkt ausschalten zu müssen. Die SFP-Einschübe werden auch für die Ports RJ-45 (nicht-PoE) verwendet.

Wichtig

Wird ein Modul des Typs Mini-GBIC eingebaut, wird der entsprechende RJ-45-Port (nicht-PoE) deaktiviert und kann nicht verwendet werden. Stellen Sie bei der Installation oder beim Abbau eines Moduls des Typs Mini-GBIC sicher, dass das Netzwerkkabel nicht an einen RJ-45-Port angeschlossen ist (Non-PoE).

1. Das Modul in den SFP-Einschub einsetzen.
2. Drücken Sie das Modul fest ein, um sicherzustellen, dass es fest im Anschluss sitzt.

Hinweis zur Stromversorgung

Das Produkt ist ein Gerät mit Strombedarf. Es funktioniert also nur, wenn es mit Strom versorgt wird. Um dem Verlust von Netzwerkdaten oder Netzwerkausfall vorzubeugen, eine unterbrechungsfreie Stromversorgung (USV) in Betracht ziehen.

Ein Überspannungsschutz kann das Produkt vor Beschädigung durch unregelmäßige Überspannung oder Überstrom über das Netzkabel schützen.

Die Taste Modus/Reset

Die Taste **Modus/Reset** eine vorgegebene Zeit gedrückt halten, um folgende Aufgaben zu bearbeiten:

- Wechseln zwischen dem Link/Act/Speed- und PoE-Portstatusmodus
- Zurücksetzen des Produkts auf die vorherigen gespeicherten Konfigurationseinstellungen
- Zurücksetzen auf die Werkseinstellungen

Auszuführende Aufgabe	Dauer des Drucks auf die Taste Modus/Reset	LED	Verhalten der LED-Portstatusanzeige
Wechseln zwischen den Modi Link / Act / Speed und PoE	0-2 Sekunden	Grün (leuchtend)	Die LED-Statusanzeige ändert sich entsprechend dem ausgewählten Modus.
Zurücksetzen des Produkts	2-7 Sekunden	Grün (blinkend)	Keine LED-Portstatusanzeige leuchtet.
Wiederherstellen der ursprünglichen werkseitigen Standardeinstellungen	7-12 Sekunden	Grün (blinkend)	Alle LED-Portstatusanzeigen leuchten.

AXIS T85 PoE+ Network Switch Series

Technische Daten

LED-Anzeigen

System-LED

LED	Farbe	Bedeutung
System	Grün (leuchtend)	Der Switch ist eingeschaltet.
	k.A.	Der Switch wird nicht mit Strom versorgt.
	Rot (leuchtend)	Im Switch wurde ein anormaler Zustand festgestellt, beispielsweise ein Überschreiten des Betriebstemperaturbereichs.

Modus-LED

LED	Farbe	Bedeutung
Link/Act/Speed	Grün (leuchtend)	Die Status-LEDs für den RJ45/SFP-Port geben den Verbindungsstatus und die Netzwerkaktivität des jeweiligen Ports bei einer Verbindungsgeschwindigkeit von 1000 MBit/s an.
	Gelb (leuchtend)	Die Status-LEDs für den RJ45/SFP-Port geben den Verbindungsstatus und die Netzwerkaktivität des jeweiligen Ports bei einer Verbindungsgeschwindigkeit von 10/100 MBit/s an.
PoE	Grün (leuchtend)	Die Status-LEDs für den RJ45-Port geben den PoE-Stromversorgungsstatus des jeweiligen Ports an.

Wenn die **Modus/Reset**-Taste kürzer als 2 Sekunden zum Wechseln zwischen den LED-Statusanzeigen (Link/Act/Speed- oder PoE-Modus) gedrückt wird, können Benutzer den Portstatus anhand des in der folgenden Tabelle angegebenen LED-Verhaltens überprüfen.

LED für den Link/Act/Speed-Modus

LED	Farbe	Bedeutung
RJ45-Ports	Grün (leuchtend)	Der Port ist aktiviert und hat eine Verbindung zum angeschlossenen Gerät aufgebaut. Die Verbindungsgeschwindigkeit beträgt 1000 MBit/s.
	Grün (blinkend)	Der Port überträgt/empfangt Datenpakete. Die Verbindungsgeschwindigkeit beträgt 1000 MBit/s.
	Gelb (leuchtend)	Der Port ist aktiviert und hat eine Verbindung zum angeschlossenen Gerät aufgebaut. Die Verbindungsgeschwindigkeit beträgt 10/100 MBit/s.
	Gelb (blinkend)	Der Port überträgt/empfangt Datenpakete. Die Verbindungsgeschwindigkeit beträgt 10/100 MBit/s.
	k.A.	An den Port wurde kein aktives Netzwerk-Kabel angeschlossen oder der Port hat keine Verbindung mit dem angeschlossenen Gerät hergestellt. Möglicherweise wurde der Port auch über die Benutzeroberfläche des Geräts deaktiviert.

AXIS T85 PoE+ Network Switch Series

SFP-Ports	Grün (leuchtend)	Der Port ist aktiviert und hat eine Verbindung zum angeschlossenen Gerät aufgebaut. Die Verbindungsgeschwindigkeit beträgt 1000 MBit/s.
	Grün (blinkend)	Der Port überträgt/empfangt Datenpakete. Die Verbindungsgeschwindigkeit beträgt 1000 MBit/s.
	Gelb (leuchtend)	Der Port ist aktiviert und hat eine Verbindung zum angeschlossenen Gerät aufgebaut. Die Verbindungsgeschwindigkeit beträgt 100 MBit/s.
	Gelb (blinkend)	Der Port überträgt/empfangt Datenpakete. Die Verbindungsgeschwindigkeit beträgt 100 MBit/s.
	k.A.	An den Port wurde kein aktives Netzwerk-Kabel angeschlossen oder der Port hat keine Verbindung mit dem angeschlossenen Gerät hergestellt. Möglicherweise wurde der Port auch über die Benutzeroberfläche des Geräts deaktiviert.

LED für den PoE-Modus

AXIS T85 PoE+ Network Switch Series

LED	Farbe	Bedeutung
RJ45-Ports	Grün (leuchtend)	Der Port ist aktiviert und versorgt das angeschlossene Gerät mit Strom.
	Gelb (leuchtend)	Im Produkt wurde ein anormaler Zustand festgestellt, beispielsweise eine Überlast.
	k.A.	An den Port wurde kein aktives Netzwerk-Kabel angeschlossen oder der Port ist nicht an ein mit Strom versorgtes PoE PD-Gerät angeschlossen. Möglicherweise wurde der Port auch über die Benutzeroberfläche des Geräts deaktiviert.

DE

Informazioni di sicurezza

Livelli di pericolo

▲PERICOLO

Indica una situazione pericolosa che, se non evitata, provoca morte o lesioni gravi.

▲AVVISO

Indica una situazione pericolosa che, se non evitata, potrebbe provocare la morte o lesioni gravi.

▲ATTENZIONE

Indica una situazione pericolosa che, se non evitata, potrebbe provocare lesioni medie o minori.

AVVISO

Indica una situazione che, se non evitata, potrebbe danneggiare la proprietà.

IT

Altri livelli di messaggio

Importante

Indica informazioni importanti, essenziali per il corretto funzionamento del dispositivo.

Nota

Indica informazioni utili che aiutano a ottenere il massimo dal dispositivo.

Informazioni di sicurezza

AWISO

- Il dispositivo Axis deve essere utilizzato in conformità alle leggi e alle normative locali.
- Utilizzare solo strumenti applicabili quando si installa il dispositivo Axis. Se si utilizza una forza eccessiva con strumenti non adatti è possibile causare danni al dispositivo.
- Non utilizzare sostanze chimiche, agenti caustici o detergenti aerosol.
- Utilizzare un panno pulito inumidito in acqua pura per la pulizia.
- Utilizzare solo accessori compatibili con le specifiche tecniche del dispositivo. Questi possono essere forniti da Axis o da terze parti. Axis consiglia l'uso dell'apparecchiatura di alimentazione Axis compatibile con il dispositivo.
- Utilizzare solo parti di ricambio fornite o consigliate da Axis.
- Non tentare di riparare il dispositivo da soli. Contattare l'assistenza o il rivenditore Axis per questioni relative alla manutenzione.

La porta SFP dovrebbe utilizzare un dispositivo ricetrasmittente classificato "UL listed" a 3,3 V CC, Laser Classe 1.

AXIS T8508 non è dotato di una ventola per il raffreddamento e richiede un flusso d'aria continuo durante il funzionamento.

Trasporto

AWISO

- Durante il trasporto del dispositivo Axis, utilizzare l'imballaggio originale o equivalente per evitare danni al dispositivo.

Contenuto della confezione

Switch di rete AXIS T8508 PoE+

- Switch di rete AXIS T8508 PoE+
- Cavo di alimentazione
- Piedini in gomma (4x)
- Documentazione
 - Guida all'installazione (il presente documento)
 - Sagoma per la foratura

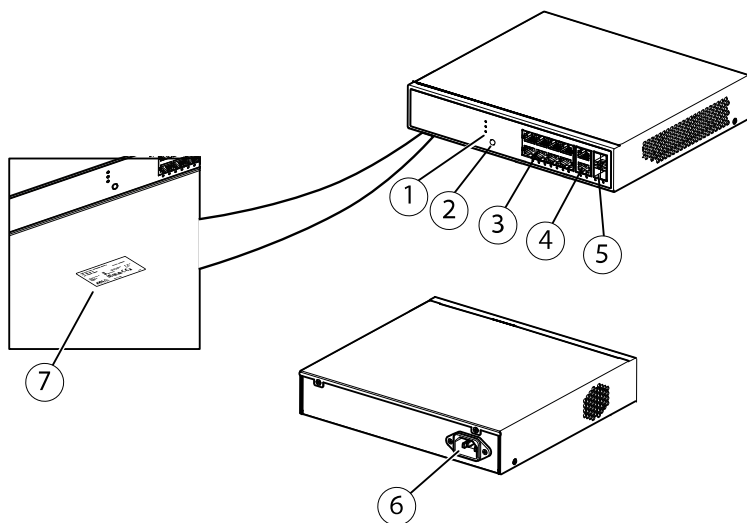
Switch di rete AXIS T8524 PoE+

- Switch di rete AXIS T8524 PoE+
- Cavo di alimentazione
- Piedini in gomma (4x)
- Kit di montaggio rack
- Documentazione
 - Guida all'installazione (il presente documento)

AXIS T85 PoE+ Network Switch Series

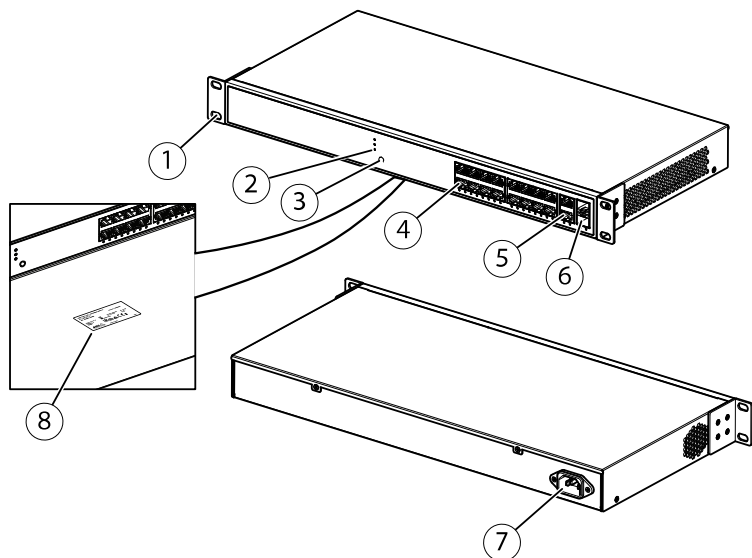
Panoramica del dispositivo

AXIS T8508 PoE+ Network Switch



- 1 LED (lato frontale)
- 2 Pulsante di ripristino/modalità
- 3 Porte RJ45 (PoE) x8
- 4 Porte RJ45 (non PoE) x2
- 5 Slot SFP x 2
- 6 Connettore di alimentazione
- 7 Etichetta dispositivi

AXIS T8524 PoE+ Network Switch



- 1 Staffa
- 2 LED (lato frontale)
- 3 Pulsante di ripristino/modalità
- 4 Porte RJ45 (PoE) x24
- 5 Porte RJ45 (non PoE) x2
- 6 Slot SFP x 2
- 7 Connettore di alimentazione
- 8 Etichetta dispositivi

Come installare il dispositivo

Montare il dispositivo in un rack – AXIS T8508

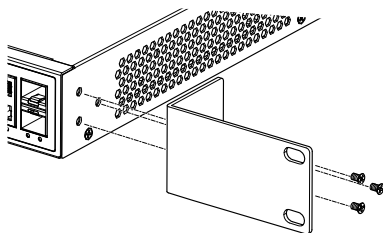
Nella sezione riportata di seguito viene descritto come montare AXIS T8508 in un rack.

AVVISO

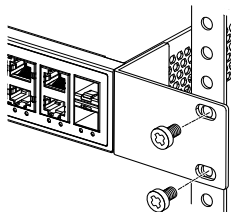
Lo switch non è dotato di una ventola per il raffreddamento, non coprire lo switch né ostruire il flusso di aria.

Nota

Le staffe di montaggio utilizzate per il montaggio del rack di AXIS T8508 sono vendute separatamente.



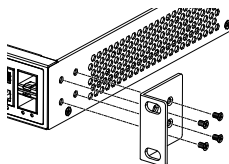
1. Fissare le staffe di montaggio ad entrambi i lati dello chassis. Inserire le viti (3X) e stringerle con un cacciavite per fissare le staffe.
2. Posizionare il dispositivo su una mensola nel rack. Premerlo finché i fori ovali nelle staffe non sono allineati con i fori di montaggio nei supporti anteriori del rack.



3. Collegare le staffe ai supporti anteriori. Inserire le viti (2x) e stringerle.

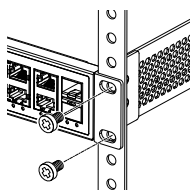
Montare il dispositivo in un rack – AXIS T8524

Nella sezione riportata di seguito viene descritto come montare AXIS T8524 in un rack.



1. Fissare le staffe di montaggio ad entrambi i lati dello chassis. Inserire le viti (4X) e stringerle con un cacciavite per fissare le staffe.
2. Posizionare il dispositivo su una mensola nel rack. Premerlo finché i fori ovali nelle staffe non sono allineati con i fori di montaggio nei supporti anteriori del rack.

IT



3. Collegare le staffe ai supporti anteriori. Inserire le viti (2x) e stringerle.

Posizionare il dispositivo su una scrivania o una mensola

AVVISO

Le avvertenze riportate di seguito sono valide per AXIS T8508

Lo switch non è dotato di una ventola per il raffreddamento, non coprire lo switch né ostruire il flusso di aria.

1. Verificare che la stazione di lavoro sia solida e messa a terra correttamente.
2. Fissare i quattro piedini adesivi in gomma alla parte inferiore del dispositivo, uno in ogni angolo.

Montare il dispositivo a una parete – AXIS T8508

Nella sezione riportata di seguito viene descritto come montare AXIS T8508 su una parete.

AWISO

Lo switch non è dotato di una ventola per il raffreddamento, non coprire lo switch né ostruire il flusso di aria.

1. Usare la maschera di foratura e contrassegnare i fori per il montaggio.
2. Realizzare i fori di montaggio
3. Applicare lo switch alla parete utilizzando viti appropriate al materiale edile.

Procedura di installazione

1. Collegare un cavo di rete standard a una delle porte RJ45 (non PoE) sul dispositivo.
2. Collegare l'altra estremità del cavo a un computer.
3. Collegare il cavo dell'alimentazione al dispositivo.
4. Collegare l'altra estremità del cavo di alimentazione a una presa CA standard. Il LED di sistema si accende e conferma che il dispositivo è acceso correttamente.
5. Utilizzare AXIS IP Utility o AXIS Camera Management per trovare il dispositivo sulla rete.
6. Utilizzare il nome utente e la password da inserire nel dispositivo sull'etichetta.
7. Seguire le istruzioni visualizzate sullo schermo.

Importante

Per alimentare il dispositivo utilizzare solo il cavo di alimentazione fornito.

Nota

A scopo di sicurezza, si consiglia di cambiare la password predefinita.

Installare i moduli SFP

È possibile installare o rimuovere un modulo SFP mini-GBIC da uno slot SFP senza dover spegnere il dispositivo. Gli slot SFP sono condivisi con le porte RJ45 (non PoE).

Importante

Se è installato un mini-GBIC, la porta RJ45 associata (non PoE) è disattivata e non può essere utilizzata. Verificare che il cavo di rete non sia collegato alla porta RJ45 (non PoE) quando si installa o si elimina un mini GBIC.

1. Inserire il modulo nello slot SFP.
2. Premere saldamente per assicurare che il modulo si blocchi nel connettore.

Avviso sull'alimentazione

Il dispositivo deve essere alimentato altrimenti non funziona. Per evitare la perdita dei dati di rete o periodi di inattività della rete, si consiglia l'utilizzo di un alimentatore UPS (Uninterrupted Power Supply).

L'installazione di un dispositivo di soppressione delle sovratensioni può aiutare a proteggere il dispositivo da possibili danneggiamenti da corrente o sovratensione non regolamentata al dispositivo o al cavo di alimentazione.

Come utilizzare il pulsante Modalità/Reimposta

Premendo il pulsante **Modalità/Reimposta** per un determinato periodo di tempo, gli utenti possono eseguire le seguenti attività.

- Cambiare la modalità dello stato porta Collegamento/Attivazione/Velocità e PoE.
- Reimpostare il dispositivo sulle impostazioni di configurazioni precedenti salvate.
- Ripristinare il dispositivo alle impostazioni di fabbrica predefinite originali.

Attività da eseguire	Periodo di tempo di pressione del pulsante Modalità/Reimposta	LED	Funzionamento LED di stato della porta
Cambiare la modalità dello stato porta tra Collegamento/Attivazione/Velocità e PoE.	0-2 secondi	Verde (acceso)	Lo stato del LED cambia in base alla modalità selezionata.
Ripristina il dispositivo	2-7 secondi	Verde (lampeggiante)	Le luci sono SPENTE per tutti i LED
Ripristinare le impostazioni di fabbrica originali.	7-12 secondi	Verde (lampeggiante)	Le luci sono ACCESE per tutti i LED

Specifiche

Indicatori LED

LED di sistema

LED	Colore	Indicazione
Sistema	Verde (acceso)	Lo switch è ACCESO.
	N/A	Lo switch non riceve alimentazione.
	Rosso (acceso)	Uno stato non normale, ad esempio che supera l'intervallo di temperatura di funzionamento, è stato rilevato nello switch.

LED modalità

LED	Colore	Indicazione
Collegamento/Attivazione/Velocità	Verde (acceso)	I LED di stato della porta RJ45/SFP visualizzano lo stato del collegamento e l'attività di rete di ogni porta, con velocità di collegamento di 1000 Mbps.
	Giallo (acceso)	I LED di stato della porta RJ45/SFP visualizzano lo stato del collegamento e l'attività di rete di ogni porta, con velocità di collegamento di 10/100 Mbps.
PoE	Verde (acceso)	I LED di stato della porta RJ45 visualizzano lo stato di alimentazione PoE di ogni porta.

Premendo il pulsante **Modalità/Reimposta** in meno di 2 secondi per modificare le modalità LED (Collegamento/Attivazione/Velocità o PoE), gli utenti possono controllare lo stato della porta leggendo i comportamenti LED nelle tabelle di seguito riportate.

LED modalità Collegamento/Attivazione/Velocità

LED	Colore	Indicazione
Porte RJ45	Verde (acceso)	La porta è attivata e si è stabilito un collegamento al dispositivo connesso, e la velocità di connessione è 1000 Mbps.
	Verde (lampeggiante)	La porta sta trasmettendo/ricevendo pacchetti e la velocità di connessione è 1000 Mbps.
	Giallo (acceso)	La porta è attivata e si è stabilito un collegamento al dispositivo connesso, e la velocità di connessione è 10/100 Mbps.
	Giallo (lampeggiante)	La porta sta trasmettendo/ricevendo pacchetti e la velocità di connessione è 10/100 Mbps.
	N/A	La porta non ha un cavo di rete connesso o non ha stabilito un collegamento al dispositivo connesso. Altrimenti, la porta potrebbe essere stata disattivata attraverso l'interfaccia utente del dispositivo.
Porte SFP	Verde (acceso)	La porta è attivata e si è stabilito un collegamento al dispositivo connesso, e la velocità di connessione è 1000 Mbps.
	Verde (lampeggiante)	La porta sta trasmettendo/ricevendo pacchetti e la velocità di connessione è 1000 Mbps.
	Giallo (acceso)	La porta è attivata e si è stabilito un collegamento al dispositivo connesso, e la

AXIS T85 PoE+ Network Switch Series

		velocità di connessione è 100 Mbps.
	Giallo (lampeggiante)	La porta sta trasmettendo/ricevendo pacchetti e la velocità di connessione è 100 Mbps.
	N/A	La porta non ha un cavo di rete connesso o non ha stabilito un collegamento al dispositivo connesso. Altrimenti, la porta potrebbe essere stata disattivata attraverso l'interfaccia utente del dispositivo.

LED modalità PoE

LED	Colore	Indicazione
Porte RJ45	Verde (acceso)	La porta è abilitata e fornisce alimentazione al dispositivo connesso.
	Giallo (acceso)	Uno stato non normale, ad esempio di sovraccarico, è stato rilevato nel dispositivo.
	N/A	La porta non ha un cavo di rete connesso o non è collegata al dispositivo PD PoE. Altrimenti, la porta potrebbe essere stata disattivata attraverso l'interfaccia utente del dispositivo.

Información de seguridad

Niveles de peligro

▲PELIGRO

Indica una situación peligrosa que, si no se evita, provocará lesiones graves o la muerte.

▲ADVERTENCIA

Indica una situación peligrosa que, si no se evita, puede provocar lesiones graves o la muerte.

▲PRECAUCIÓN

Indica una situación peligrosa que, si no se evita, puede provocar lesiones moderadas o leves.

AVISO

Indica una situación peligrosa que, si no se evita, puede provocar daños materiales.

ES

Otros niveles de mensaje

Importante

Indica información importante que es fundamental para que el producto funcione correctamente.

Nota

Indica información útil que ayuda a aprovechar el producto al máximo.

Instrucciones de seguridad

AVISO

- Este producto de Axis debe utilizarse de acuerdo con las leyes y normativas locales.
- Utilice solo las herramientas correspondientes cuando instale el producto de Axis. La aplicación de una fuerza excesiva con herramientas eléctricas puede provocar daños en el producto.
- No utilice limpiadores en aerosol, agentes cáusticos ni productos químicos.
- Limpie con un paño limpio humedecido con agua pura.
- Utilice solo accesorios que cumplan con las especificaciones técnicas de su producto. Estos accesorios los puede proporcionar Axis o un tercero. Axis recomienda utilizar un equipo de suministro de alimentación de Axis compatible con su producto.
- Utilice solo piezas de repuesto proporcionadas o recomendadas por Axis.
- No intente reparar el producto usted mismo. Póngase en contacto con el servicio de asistencia técnica de Axis o con su distribuidor de Axis para tratar asuntos de reparación.

El puerto SFP debe utilizarse como transceptor opcional con homologación UL, con tensión nominal de 3,3 V CC y Láser Clase 1.

El AXIS T8508 no está equipado con ventilador para la refrigeración, así que precisa que el flujo de aire sea constante mientras está funcionando.

Transporte

AVISO

- Cuando transporte el producto de Axis, utilice el embalaje original o un equivalente para evitar daños en el producto.

Contenido del paquete

Switch de red AXIS T8508 PoE+

- Switch de red AXIS T8508 PoE+
- Cable de alimentación
- Patas de goma (4)
- Materiales impresos
 - Guía de instalación (este documento)
 - Plantilla de perforado

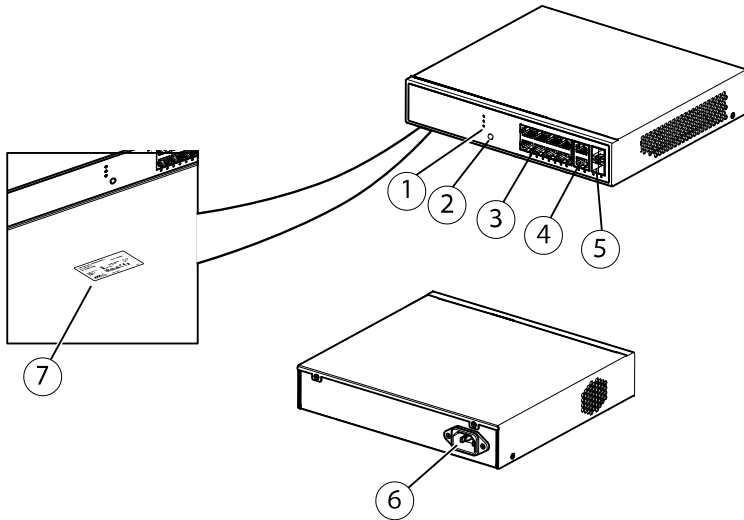
Switch de red AXIS T8524 PoE+

- Switch de red AXIS T8524 PoE+
- Cable de alimentación
- Patas de goma (4)
- Kit de montaje en bastidor
- Materiales impresos
 - Guía de instalación (este documento)

AXIS T85 PoE+ Network Switch Series

Información general del producto

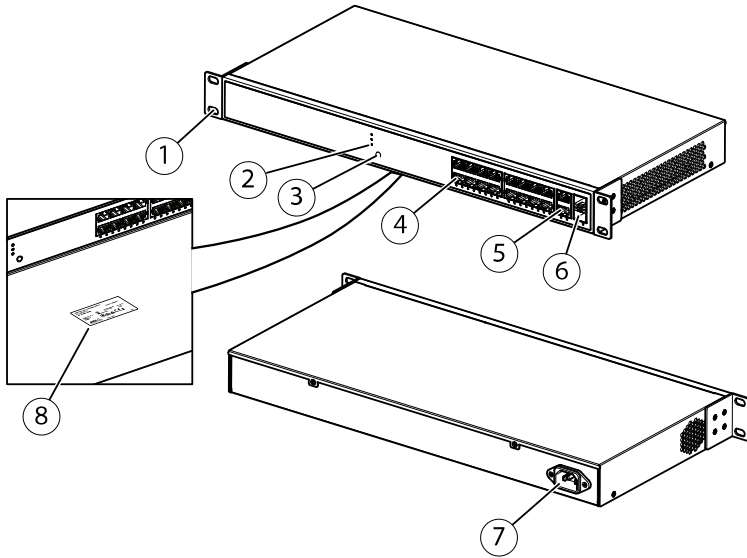
AXIS T8508 PoE+ Network Switch



- 1 LED (panel delantero)
- 2 Botón de modo/restablecimiento
- 3 Puertos RJ45 (PoE+) (8)
- 4 Puertos RJ45 (sin PoE) (2)
- 5 Ranuras SFP (2)
- 6 Conector de potencia
- 7 Etiqueta del producto

AXIS T8524 PoE+ Network Switch

AXIS T85 PoE+ Network Switch Series



- 1 Soporte
- 2 LED (panel delantero)
- 3 Botón de modo/restablecimiento
- 4 Puertos RJ45 (PoE+) (24)
- 5 Puertos RJ45 (sin PoE) (2)
- 6 Ranuras SFP (2)
- 7 Conector de potencia
- 8 Etiqueta del producto

ES

Cómo instalar el producto

Instalación del producto en un bastidor: AXIS T8508

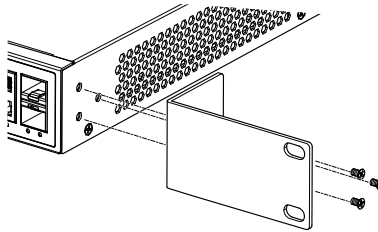
En la siguiente sección se describe cómo instalar AXIS T8508 en un bastidor.

AVISO

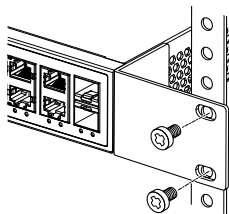
El switch no está equipado con un ventilador para refrigerar así que no lo cubra ni obstaculice el flujo de aire.

Nota

Los soportes de montaje utilizados para el montaje en bastidor del AXIS T8508 se venden por separado.



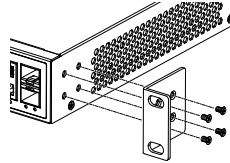
1. Fije los soportes de montaje a ambos lados del chasis. Inserte los tornillos (3) y apriételos con un destornillador para fijar los soportes.
2. Coloque el producto sobre una estantería del bastidor. Empújelo hasta que los orificios ovalados de los soportes se alineen con los orificios de montaje de los postes del bastidor.



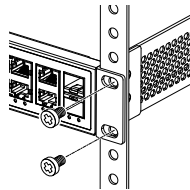
3. Fije los soportes en los postes. Introduzca los tornillos (2) y apriételos.

Instalación del producto en un bastidor: AXIS T8524

En la siguiente sección se describe cómo instalar AXIS T8524 en un bastidor.



1. Fije los soportes de montaje a ambos lados del chasis. Inserte los tornillos (4) y apriételos con un destornillador para fijar los soportes.
2. Coloque el producto sobre una estantería del bastidor. Empújelo hasta que los orificios ovalados de los soportes se alineen con los orificios de montaje de los postes del bastidor.



3. Fije los soportes en los postes. Introduzca los tornillos (2) y apriételos.

ES

Colocación del producto en un escritorio o estantería

AVISO

La siguiente advertencia se aplica al AXIS T8508.

El switch no está equipado con un ventilador para refrigerar así que no lo cubra ni obstaculice el flujo de aire.

1. Compruebe que el banco de trabajo sea sólido y esté conectado a tierra de manera fiable.
2. Fije las cuatro patas de goma adhesivas a la parte inferior del producto, una en cada esquina.

Instalación del producto en una pared: AXIS T8508

En la siguiente sección se describe cómo instalar AXIS T8508 en una pared.

AVISO

El switch no está equipado con un ventilador para refrigerar así que no lo cubra ni obstaculice el flujo de aire.

1. Utilice la plantilla de perforado y marque los orificios de montaje.
2. Taladre los orificios de montaje.
3. Coloque el switch en la pared utilizando los tornillos apropiados para el material de la pared.

Pasos para la instalación

1. Conecte un cable de red estándar a uno de los puertos RJ45 (sin PoE) del producto.
2. Conecte el otro extremo del cable al ordenador.
3. Conecte el cable de alimentación al producto.
4. Conecte el otro extremo del cable de alimentación a una toma de CA estándar. El LED de sistema se enciende y confirma que el dispositivo recibe corriente correctamente.
5. Utilice AXIS IP Utility o AXIS Camera Management para localizar el producto en la red.
6. Use el nombre de usuario y la contraseña que figuran en la etiqueta del producto para indicar el producto.
7. Siga las instrucciones de la pantalla.

Importante

Solo utilice el cable de alimentación proporcionado para alimentar el producto.

Nota

Por motivos de seguridad, se recomienda cambiar la contraseña predeterminada.

Instalación de módulos SFP

Es posible instalar o extraer un módulo SFP mini-GBIC de una ranura SFP sin necesidad de apagar el producto. Las ranuras SFP se comparten con los puertos RJ45 (sin PoE).

Importante

Si se instala un mini-GBIC, el puerto RJ45 asociado (sin PoE) se desactivará y no podrá utilizarse. Asegúrese de que el cable de red no esté conectado al puerto RJ45 (sin PoE) cuando instale o extraiga un mini-GBIC.

1. Introduzca el módulo en la ranura SFP.
2. Presione con firmeza para asegurarse de que el módulo se asienta en el conector.

Aviso sobre alimentación

El producto es un dispositivo que precisa estar conectado a una fuente de alimentación; es decir, no funcionará si no se le proporciona corriente. Con el fin de evitar la pérdida de datos de red o los tiempos de inactividad de la red, considere la posibilidad de utilizar un SAI (Sistema de Alimentación Ininterrumpido).

También puede resultar útil instalar un dispositivo de supresión de sobretensiones para evitar que el producto resulte dañado ante cualquier sobretensión o corriente no controladas hacia el producto o el cable de alimentación.

Cómo utilizar el botón de modo/restablecimiento

Al pulsar el botón de **modo/restablecimiento** durante un periodo de tiempo determinado, los usuarios pueden realizar las siguientes tareas:

- Cambiar entre los modos de estado de puerto Enlace/Act/Velocidad y PoE
- Restablecer el producto a los ajustes de configuración guardados anteriormente
- Restablecer el producto a la configuración predeterminada de fábrica original

Tarea que realizar	Tiempo que debe presionarse el botón de modo/restablecimiento	LED	Comportamiento del LED de estado del puerto
Cambiar entre los modos de estado de puerto Enlace/Act/Velocidad y PoE	0-2 segundos	Verde (fijo)	El estado del LED cambia según el modo seleccionado.
Restablecer el producto	2-7 segundos	Verde (parpadeante)	Las luces de todos los LED están APAGADAS.
Restablecer a la configuración predeterminada de fábrica original	7-12 segundos	Verde (parpadeante)	Las luces de todos los LED están ENCENDIDAS.

Especificaciones

Indicadores LED

LED de sistema

LED	Color	Indicación
Sistema	Verde (fijo)	El switch está ENCENDIDO.
	N/D	El switch no recibe alimentación.
	Rojo (fijo)	Se ha detectado un estado anómalo en el switch: por ejemplo, se ha superado el rango de temperatura de funcionamiento.

LED de modo

LED	Color	Indicación
Enlace/Act/Velocidad	Verde (fijo)	Los LED de estado de puerto RJ45/SFP muestran el estado del enlace y de actividad de red de cada puerto, con velocidad de conexión de 1000 Mbps.
	Ámbar (fijo)	Los LED de estado de puerto RJ45/SFP muestran el estado del enlace y de actividad de red de cada puerto, con velocidad de conexión de 10/100 Mbps.
PoE	Verde (fijo)	Los LED de estado de puerto RJ45 muestran el estado de alimentación PoE de cada puerto.

Al pulsar el botón de **modo/restablecimiento** durante menos de 2 segundos para cambiar los LED de modo (Enlace/Act/Velocidad o PoE), los usuarios pueden comprobar el estado del puerto leyendo el comportamiento del LED que figura en las siguientes tablas.

LED de modo Enlace/Act/Velocidad

LED	Color	Indicación
Puertos RJ45	Verde (fijo)	El puerto está activado y ha establecido un enlace con un dispositivo conectado; la velocidad de conexión es de 1000 Mbps.
	Verde (parpadeante)	El puerto está transmitiendo/recibiendo paquetes y la velocidad de conexión es de 1000 Mbps.
	Ámbar (fijo)	El puerto está activado y ha establecido un enlace con un dispositivo conectado; la velocidad de conexión es de 10/100 Mbps.
	Ámbar (parpadeante)	El puerto está transmitiendo/recibiendo paquetes y la velocidad de conexión es de 10/100 Mbps.
	N/D	No hay ningún cable de red activo conectado o no se ha establecido enlace con ningún dispositivo conectado. Por otro lado, es posible que el puerto se haya desactivado a través de la interfaz del usuario.
Puertos SFP	Verde (fijo)	El puerto está activado y ha establecido un enlace con un dispositivo conectado; la velocidad de conexión es de 1000 Mbps.
	Verde (parpadeante)	El puerto está transmitiendo/recibiendo paquetes y la velocidad de conexión es de 1000 Mbps.
	Ámbar (fijo)	El puerto está activado y ha establecido un enlace con un dispositivo conectado; la

AXIS T85 PoE+ Network Switch Series

		velocidad de conexión es de 100 Mbps.
	Ámbar (parpadeante)	El puerto está transmitiendo/recibiendo paquetes y la velocidad de conexión es de 100 Mbps.
	N/D	No hay ningún cable de red activo conectado o no se ha establecido enlace con ningún dispositivo conectado. Por otro lado, es posible que el puerto se haya desactivado a través de la interfaz del usuario.

LED de modo PoE

LED	Color	Indicación
Puertos RJ45	Verde (fijo)	El puerto está activado y proporciona alimentación al dispositivo conectado.
	Ámbar (fijo)	Se ha detectado un estado anómalo en el producto: por ejemplo, un estado de sobrecarga.
	N/D	No hay ningún cable de red activo conectado o no se ha conectado ningún dispositivo alimentado (PD) PoE. Por otro lado, es posible que el puerto se haya desactivado a través de la interfaz del usuario.

安全情報

危険レベル

▲危険

回避しない場合、死亡または重傷につながる危険な状態を示します。

▲警告

回避しない場合、死亡または重傷につながるおそれのある危険な状態を示します。

▲注意

回避しない場合、軽傷または中程度の怪我につながるおそれのある危険な状態を示します。

注意

回避しない場合、器物の破損につながるおそれのある状態を示します。

その他のメッセージレベル

重要

製品を正しく機能させるために不可欠な重要情報を示します。

注

製品を最大限に活用するために役立つ有用な情報を示します。

安全手順

注意

- 本製品は、お使いになる地域の法律や規制に準拠して使用してください。
- 本製品を設置する際には、適切な工具のみを使用してください。電動工具を使用して過剰な力をかけると、製品が損傷することがあります。
- 化学薬品、腐食剤、噴霧式クリーナーは使用しないでください。
- 清掃には、きれいな水に浸した清潔な布を使用してください。
- 製品の技術仕様に準拠したアクセサリのみを使用してください。これらのアクセサリは、Axisまたはサードパーティから入手できます。Axisは、ご使用の製品と互換性のあるAxis給電ネットワークスイッチの使用を推奨します。
- Axisが提供または推奨する交換部品のみを使用してください。
- 製品を自分で修理しないでください。修理については、Axisサポートまたは販売代理店にお問い合わせください。

SFPポートは、UL認定を受けたオプションのトランシーバー製品(定格3.3V DC、レーザークラス1)を使用する必要があります。

AXIS T8508には、冷却用のファンが装備されていないため、動作中は常に通気を確保する必要があります。

輸送

注意

- 本製品を運搬する際は、製品が損傷しないよう、元の梱包か同等の梱包を使用してください。

パッケージの内容

AXIS T8508 PoE+ ネットワークスイッチ

- AXIS T8508 PoE+ ネットワークスイッチ
- 電源ケーブル
- ゴム脚 (×4)
- 印刷物
 - インストールガイド (本書)
 - ドリルテンプレート

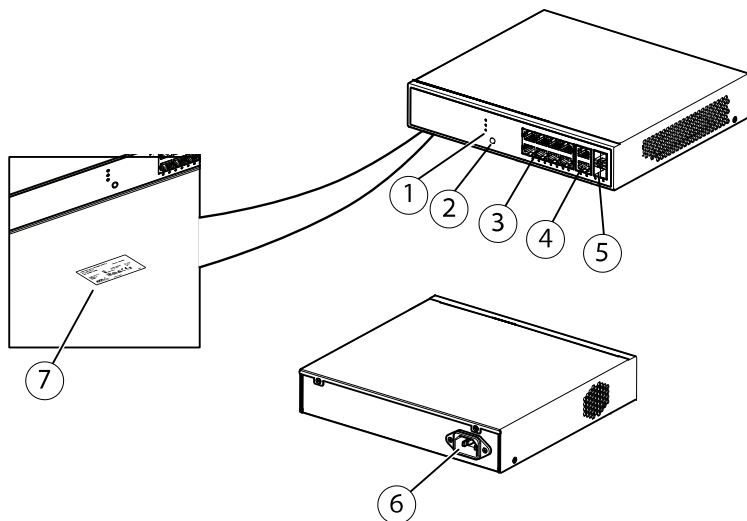
AXIS T8524 PoE + ネットワークスイッチ

- AXIS T8524 PoE + ネットワークスイッチ
- 電源ケーブル
- ゴム脚 (×4)
- ラック取り付けキット
- 印刷物
 - インストールガイド (本書)

AXIS T85 PoE+ Network Switch Series

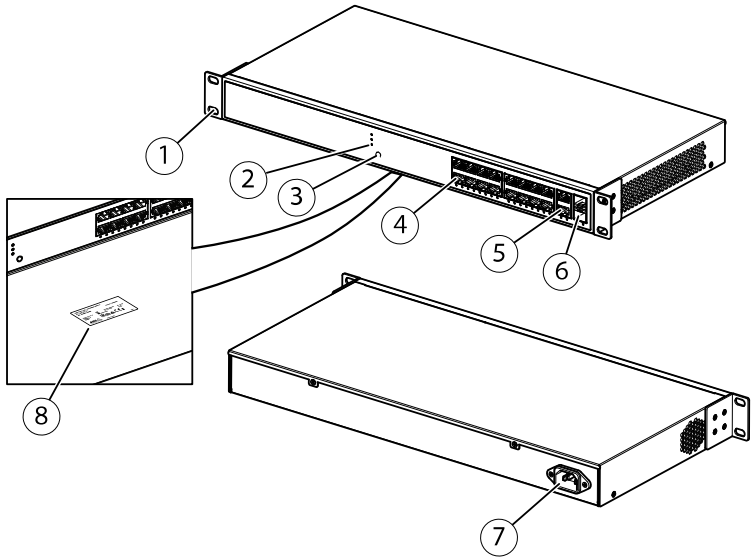
製品の概要

AXIS T8508 PoE+ Network Switch



- 1 LED (フロントパネル)
- 2 モード/リセットボタン
- 3 RJ45ポート (PoE+) (×8)
- 4 RJ45ポート (PoE非対応) (×2)
- 5 SFPスロット (×2)
- 6 電源コネクタ
- 7 製品ラベル

AXIS T8524 PoE+ Network Switch



- 1 ブラケット
- 2 LED (フロントパネル)
- 3 モード/リセットボタン
- 4 RJ45ポート (PoE+) (×24)
- 5 RJ45ポート (PoE非対応) (×2)
- 6 SFPスロット (×2)
- 7 電源コネクタ
- 8 製品ラベル

製品の取り付け方法

ラックへの製品の取り付け - AXIS T8508

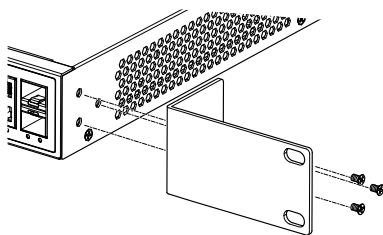
以下のセクションでは、AXIS T8508をラックに取り付ける方法を示します。

注意

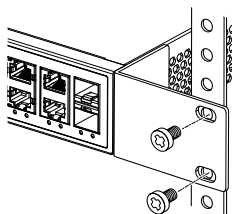
スイッチには冷却用のファンが装備されていないため、スイッチにカバーをかけたり、通気を遮ったりしないようにしてください。

注

AXIS T8508用のラック取付ブラケットは別売りです。



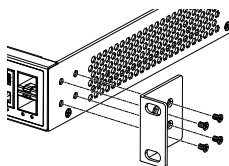
1. シャーシの両側に取付ブラケットを取り付けます。ねじ(×3)を差し込み、ドライバーで締めて、ブラケットを固定します。
2. ラック内のラックシェルフ上に製品を配置します。ブラケットの楕円形の穴がラックポストの穴と揃うまで、製品を押し込みます。



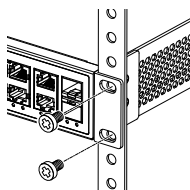
3. ポストにブラケットを取り付けます。ねじ(×2)を差し込み、締めます。

ラックへの製品の取り付け - AXIS T8524

以下のセクションでは、AXIS T8524をラックに取り付ける方法を示します。



1. シャーシの両側に取り付ブラケットを取り付けます。ねじ(×4)を差し込み、ドライバーで締めて、ブラケットを固定します。
2. ラック内のラックシェルフ上に製品を配置します。ブラケットの楕円形の穴がラックポストの穴と揃うまで、製品を押し込みます。



3. ポストにブラケットを取り付けます。ねじ(×2)を差し込み、締めます。

JA

机または棚への製品の配置

注意

以下の注意事項は、AXIS T8508に適用されます。

スイッチには冷却用のファンが装備されていないため、スイッチにカバーをかけた後、通気を遮ったりしないようにしてください。

1. 作業台が頑丈であり確実に接地されていることを確認してください。
2. 製品の底部の四隅に、それぞれ接着ゴム足を取り付けてください。

壁面への製品の取り付け - AXIS T8508

以下のセクションでは、AXIS T8508を壁面に取り付ける方法を示します。

注意

スイッチには冷却用のファンが装備されていないため、スイッチにカバーをかけた後、通気を遮ったりしないようにしてください。

1. ドリルテンプレートを使って、取り付け穴に印を付けます。
2. ドリルで取り付け穴を開けます。
3. 壁の材質に適したネジを使用して、スイッチを壁に取り付けます。

設置手順

1. 製品のRJ45ポート (PoE非対応) に標準ネットワークケーブルを接続します。
2. ケーブルのもう一方の端をコンピューターに接続します。
3. 製品に電源コードを接続します。
4. 電源コードの他端を標準ACコンセントに接続します。システムLEDが点灯し、機器の電源が正常に入ったことを確認します。
5. AXIS IP UtilityまたはAXIS Camera Managementを使用して、ネットワーク上の製品を探します。
6. 製品ラベルに記載されたユーザー名とパスワードを使用して、製品を入力します。
7. スクリーン上の指示に従ってください。

重要

電力の供給には、付属の電源コード以外を使用しないでください。

注

セキュリティのために、デフォルトのパスワードを変更することをお勧めします。

SFPモジュールの取り付け

製品の電源を切らなくても、mini-GBIC SFPモジュールをSFPスロットに取り付けたり、SFPスロットから取り外したりできます。SFPスロットはRJ45ポート (PoE非対応) と共用します。

重要

mini-GBICを取り付けている場合、関連のRJ45ポート (PoE非対応) は無効となり、使用することができません。mini-GBICの取り付けまたは取り外しを行うとき、ネットワークケーブルがRJ45ポート (PoE非対応) に接続されていないことを確認します。

1. SFPスロットにモジュールを差し込みます。
2. モジュールがコネクタに固定されているのを確認するために、しっかりと押してください。

電源に関する注意

製品は電力を必要とする機器であり、製品に電流が供給されるまで製品が機能しないことを意味します。ネットワークデータの損失やネットワークのダウンタイムを回避するため、UPS (無停電電源装置) の使用を検討してください。

また、サージ抑制機器を設置することにより、製品または電源コードに対する制御されていないサージまたは電流による損傷から製品を保護するのに役立ちます。

モード/リセットボタンの使用方法

一定の時間の間 **モード/リセット** ボタンを押すことにより、ユーザーは以下のタスクを実行できます。

- Link/Act/SpeedとPoEの間でポートステータスモードを変更します。
- 保存した元の構成設定に製品をリセットします。
- 製品を工場出荷時の設定に戻します。

実行するタスク	モード/リセットボタンを押す時間	LED	ポートステータスLEDの動作
Link/Act/SpeedとPoEの間でポートステータスモードを変更します。	0-2秒	緑 (点灯)	LED状態は選択されたモードにより変化します。
製品をリセットします。	2-7秒	緑 (点滅)	全てのLEDのライトをオフにします。
当初の出荷時の初期設定に戻します。	7-12秒	緑 (点滅)	全てのLEDのライトをオンにします。

仕様

LEDインジケーター

システムLED

LED	カラー	説明
システム	緑（点灯）	スイッチの電源が入っている状態です。
	無点灯	スイッチは電力を受信していません。
	赤（点灯）	動作温度範囲を超えるなどの異常状態がスイッチ内で検出されています。

モードLED

LED	カラー	表示
Link/Act/Speed	緑（点灯）	RJ45/SFPポートステータスLEDは1000Mbpsの接続速度で各ポートのリンク状態およびネットワークアクティビティを表示しています。
	橙（点灯）	RJ45/SFPポートステータスLEDは10/100Mbpsの接続速度で各ポートのリンク状態およびネットワークアクティビティを表示しています。
PoE	緑（点灯）	RJ45ポートステータスLEDは各ポートのPoE電源供給状態を表示しています。

LEDモード（Link/Act/SpeedモードまたはPoEモード）を変更するために2秒未満の間 **モード/リセット** ボタンを押すことにより、下表中のLEDの挙動を読み取ることで、ユーザーはポートの状態を確認することができます。

AXIS T85 PoE+ Network Switch Series

Link/Act/Speed モードLED

LED	カラー	表示
RJ45ポート	緑（点灯）	ポートが有効となり、接続機器へのリンクを確立し、接続速度は1000Mbpsです。
	緑（点滅）	ポートがパケットを送受信しており、接続速度は1000Mbpsです。
	橙（点灯）	ポートが有効となり、接続機器へのリンクを確立し、接続速度は10/100Mbpsです。
	橙（点滅）	ポートがパケットを送受信しており、接続速度は10/100Mbpsです。
	無点灯	ポートには接続されているアクティブなネットワークケーブルが付いていないかまたは接続機器に対するリンクが確立されていません。さもなければ、製品のユーザーインターフェースによりポートが無効になる場合があります。
SFPポート	緑（点滅）	ポートが有効となり、接続機器へのリンクが確立され、接続速度は1000Mbpsです。
	緑（点滅）	ポートがパケットを送受信しており、接続速度は1000Mbpsです。
	橙（点灯）	ポートが有効となり、接続機器へのリンクを確立し、接続速度は100Mbpsです。

JA

AXIS T85 PoE+ Network Switch Series

	橙（点滅）	ポートがパケットを送受信しており、接続速度は100Mbpsです。
	無点灯	ポートには接続されているアクティブなネットワークケーブルが付いていないかまたは接続機器に対するリンクが確立されていません。さもなければ、製品のユーザーインターフェースによりポートが無効になる場合があります。

PoEモードLED

LED	カラー	表示
RJ45ポート	緑（点灯）	ポートが有効となり、接続機器に電力を供給しています。
	橙（点灯）	過負荷状態などの異常状態が製品内で検出されています。
	無点灯	ポートには接続されているアクティブなネットワークケーブルが付いていないかまたはPoE PD機器が接続されていません。さもなければ、製品のユーザーインターフェースによりポートが無効になる場合があります。

安全信息

危险等级

▲危险

表示如果不避免则会导致死亡或严重伤害的危险情况。

▲警告

表示如果不避免则可能导致死亡或严重伤害的危险情况。

▲警示

表示如果不避免则可能导致轻微或中度伤害的危险情况。

注意

表示如果不避免则可能导致财产损失的情况。

其他消息等级

重要

表示产品正常工作所必需的重要信息。

注

表示有助于充分利用产品的有用信息。

安全说明

注意

- 使用 Axis 产品时应遵守当地法律和法规。
- 安装 Axis 产品时，仅使用适用的工具。使用电动工具过度施力可能导致产品损坏。
- 请勿使用化学品、腐蚀剂或气雾剂。
- 使用蘸纯净水的干净布进行清洁。
- 仅使用符合产品技术规格的附件。这些附件可由 Axis 或第三方提供。Axis 推荐使用与产品兼容的 Axis 电源设备。
- 仅使用 Axis 提供或推荐的备件。
- 请勿尝试自行维修产品。有关服务事项，请联系 Axis 支持部门或 Axis 经销商。

SFP 端口应使用 UL 列出的可选收发器产品，额定电压为 3.3 V DC，激光等级为 1。

AXIS T8508 未配备冷却风扇且在运行期间要求气流恒速流动。

运输

注意

- 安讯士产品运输途中，应使用其原包装或等效包装，以防对产品造成损坏。

包装内容

AXIS T8508 PoE+ 网络交换机

- AXIS T8508 PoE+ 网络交换机
- 电源电缆
- 橡胶垫脚（4 个）
- 印刷材料
 - 安装指南（本文档）
 - 钻孔模板

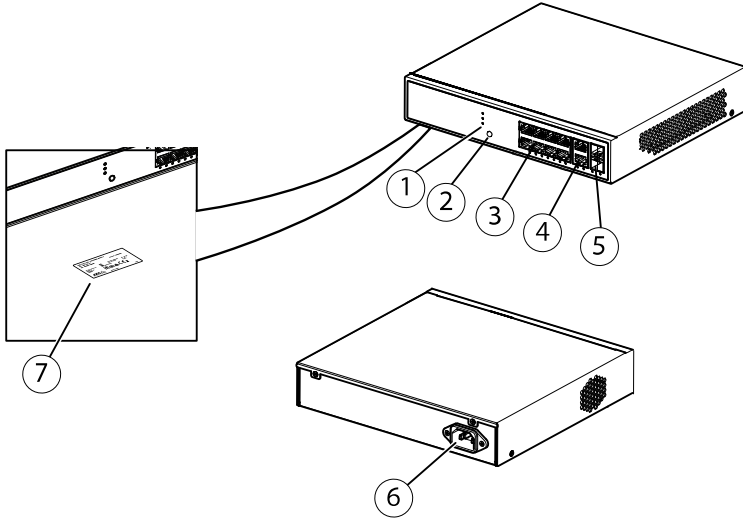
AXIS T8524 PoE+ 网络交换机

- AXIS T8524 PoE+ 网络交换机
- 电源电缆
- 橡胶垫脚（4 个）
- 机架安装套件
- 印刷材料
 - 安装指南（本文档）

AXIS T85 PoE+ Network Switch Series

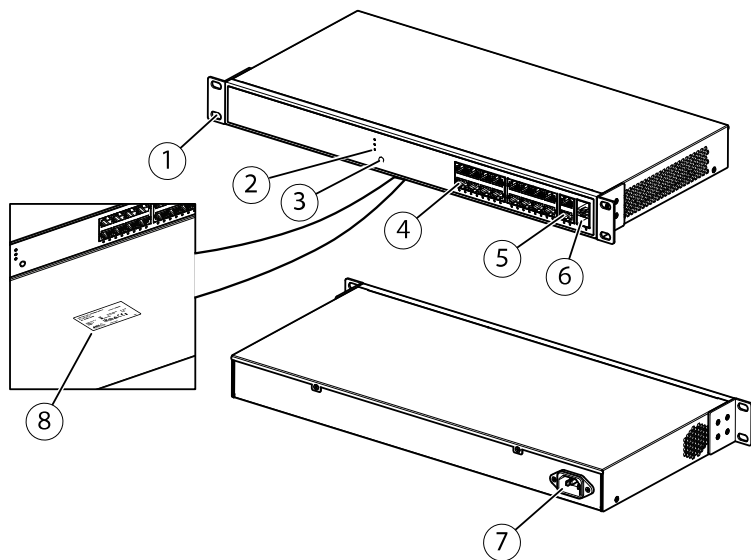
产品概述

AXIS T8508 PoE+ Network Switch



- 1 LED (前面板)
- 2 模式/重置按钮
- 3 8个RJ45端口 (PoE+)
- 4 2个RJ45端口 (非PoE)
- 5 2个SFP插槽
- 6 电源连接器
- 7 产品标签

AXIS T8524 PoE+ Network Switch



- 1 支架
- 2 LED (前面板)
- 3 模式/重置按钮
- 4 24个RJ45端口(PoE+)
- 5 2个RJ45端口(非PoE)
- 6 2个SFP插槽
- 7 电源连接器
- 8 产品标签

如何安装产品

将产品安装在机架上 – AXIS T8508

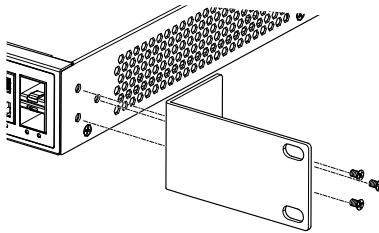
以下部分将介绍如何将 AXIS T8508 安装在机架上。

注意

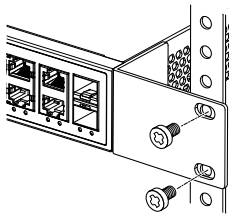
交换机未配备冷却风扇，请勿盖住交换机或阻碍气流。

注

单独出售用于 AXIS T8508 机架安装的安装支架。



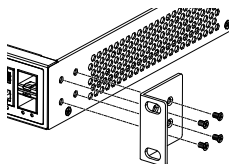
1. 将安装支架连接至底盘两侧。插入螺丝（3 个）并使用一把螺丝刀将其拧紧以紧固支架。
2. 将产品置于机架的承载架上。将其推入直至支架的椭圆形孔对齐机架杆的安装孔。



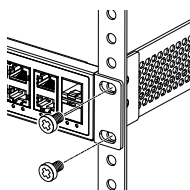
3. 将支架连接至杆。插入螺丝（2 个）并将其拧紧。

将产品安装在机架上 – AXIS T8524

以下部分将介绍如何将 AXIS T8524 安装在机架上。



1. 将安装支架连接至底盘两侧。插入螺丝（4 个）并使用一把螺丝刀将其拧紧以紧固支架。
2. 将产品置于机架的承载架上。将其推入直至支架的椭圆形孔对齐机架杆的安装孔。



3. 将支架连接至杆。插入螺丝（2 个）并将其拧紧。

将产品置于桌子上或承载架上

注意

以下警告适用于 AXIS T8508

交换机未配备冷却风扇，请勿盖住交换机或阻碍气流。

1. 请检验工作台是否坚固且确实置于地面上。
2. 将 4 个粘胶橡胶垫脚连接至产品底部，每个角有一个橡胶垫脚。

将产品安装在墙壁上 – AXIS T8508

以下部分将介绍如何将 AXIS T8508 安装在墙壁上。

注意

交换机未配备冷却风扇，请勿盖住交换机或阻碍气流。

1. 使用钻孔模板并标记安装孔。

2. 钻安装孔
3. 使用适用于墙体材质的螺丝将交换机连接至墙壁。

安装步骤

1. 将一根标准网络电缆连接至产品的其中一个 RJ45 端口（非 PoE）上。
2. 将电缆的另一端连接至电脑。
3. 将电源线连接至产品。
4. 将电源线的另一端连接至标准交流电插座。系统 LED 灯亮起确认设备已成功通电。
5. 使用 AXIS IP Utility 或 AXIS Camera Management 在网络上查找产品。
6. 使用产品标签上的用户名和密码进入产品。
7. 按屏幕说明操作。

重要

仅使用提供的电源线给产品通电。

注

为安全起见，建议更改默认密码。

安装 SFP 模块

可在不关闭产品电源的情况下，安装或拆除 SFP 插槽上的微型 GBIC SFP 模块。RJ45 端口（非 PoE）共享 SFP 插槽。

重要

如果已安装微型 GBIC，则相关 RJ45 端口（非 PoE）被禁用且无法使用。当您安装或拆除微型 GBIC 时，请确保网络电缆未连接至 RJ45 端口（非 PoE）。

1. 将模块插入 SFP 插槽。
2. 牢牢按下以确保模块插入连接器。

电源通知

该产品为需用电设备，这意味着产品在无供电情况下不工作。为了避免网络数据丢失或网络故障，请考虑使用 UPS（不间断电源）。

安装一个浪涌抑制设备可能也有助于保护产品不被流经产品或电源线的未经调节的浪涌或电流损坏。

如何使用模式/重置按钮

通过按下**模式/重置**按钮一段时间，用户可执行以下操作。

- 在端口状态模式 Link/Act/Speed 和 PoE 之间进行切换。
- 将产品重置为已存储的之前的配置设置。
- 将产品恢复为出厂默认设置。

要执行的操作	按下模式/重置按钮的时长	LED	端口状态 LED 指示灯情况
在 Link/Act/Speed 和 PoE 之间切换端口状态模式	0-2 秒	绿色（亮起）	LED 状态根据所选模式变化。
重置产品	2-7 秒	绿色（闪烁）	所有 LED 灯均熄灭
恢复为出厂默认设置	7-12 秒	绿色（闪烁）	所有 LED 灯均亮起

规格

LED 指示灯

系统 LED

LED	颜色	指示
系统	绿色（亮起）	交换机的电源已打开。
	不适用	交换机未通电。
	红色（亮起）	检测到交换机出现了异常状态，如超出工作温度范围。

模式 LED

LED	颜色	指示
连接/活动/速度	绿色（亮起）	RJ45/SFP 端口状态 LED 显示各端口的链接状态和网络活动，连接速度为 1000Mbps。
	橙色（亮起）	RJ45/SFP 端口状态 LED 显示各端口的链接状态和网络活动，连接速度为 10/100Mbps。
PoE	绿色（亮起）	RJ45 端口状态 LED 显示每个端口的 PoE 供电状态。

在两秒内按下**模式/重置**按钮可更改 LED 模式（连接/活动/速度模式或 PoE 模式），用户可通过读取下表中的 LED 行为来检查端口状态。

连接/活动/速度模式 LED

AXIS T85 PoE+ Network Switch Series

LED	颜色	指示
RJ45 端口	绿色（亮起）	端口已启用并已建立与所连接设备的链接，连接速度为 1000Mbps。
	绿色（闪烁）	端口正在传输/接收数据包，连接速度为 1000Mbps。
	橙色（亮起）	端口已启用并已建立与所连接设备的链接，连接速度为 10/100Mbps。
	橙色（闪烁）	端口正在传输/接收数据包，连接速度为 10/100Mbps。
	不适用	端口未连接到处于活动状态中的网络电缆，或未建立与所连设备的链接。否则，该端口可能已在产品用户界面被禁用。
SFP 端口	绿色（亮起）	端口已启用并已建立与所连接设备的链接，连接速度为 1000Mbps。
	绿色（闪烁）	端口正在传输/接收数据包，连接速度为 1000Mbps。
	橙色（亮起）	端口已启用并已建立与所连接设备的链接，连接速度为 100Mbps。
	橙色（闪烁）	端口正在传输/接收数据包，连接速度为 100Mbps。
	不适用	端口未连接到处于活动状态中的网络电缆，或未建立与所连设备的链接。否则，该端口可能已在产品用户界面被禁用。

ZH

PoE 模式 LED

AXIS T85 PoE+ Network Switch Series

LED	颜色	指示
RJ45 端口	绿色（亮起）	端口已启用，正在为所连设备供电。
	橙色（亮起）	在产品中检测到异常状态，如过载状态。
	不适用	端口未连接到处于活动状态中的网络电缆，或未连接到 PoE PD 设备。否则，该端口可能已在产品用户界面被禁用。

